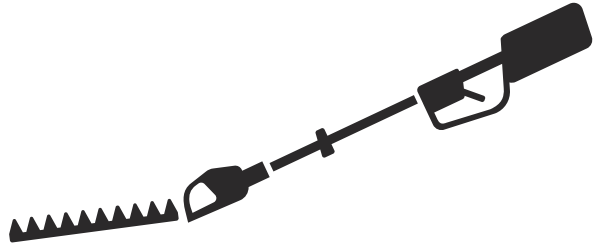




# Husqvarna®



## 120iTK4-H



EN	Operator's manual	2-18
DA	Brugsanvisning	19-35
DE	Bedienungsanweisung	36-54
ES	Manual de usuario	55-72
FI	Käyttöohje	73-89
FR	Manuel d'utilisation	90-108
IT	Manuale dell'operatore	109-126
NL	Gebruiksaanwijzing	127-144
NO	Bruksanvisning	145-161
PT	Manual do utilizador	162-179
SV	Bruksanvisning	180-196
CS	Návod k použití	197-213
ET	Kasutusjuhend	214-230
HR	Priručnik za korištenje	231-247
HU	Használati utasítás	248-265
LT	Operatoriaus vadovas	266-282
LV	Lietošanas pamācība	283-300
PL	Instrukcja obsługi	301-318
RO	Instrucțiuni de utilizare	319-336
SK	Návod na obsluhu	337-354
SL	Navodila za uporabo	355-371
BG	Ръководство за експлоатация	372-391
EL	Οδηγίες χρήσης	392-411
JA	取扱説明書	412-428
KO	사용자 설명서	429-444
MS	Panduan Pengguna	445-462
RU	Руководство по эксплуатации	463-482
TR	Kullanım kılavuzu	483-499
UK	Посібник користувача	500-518
VI	Sách hướng dẫn sử dụng	519-535
ZH	操作手册	536-550

---

# Contents

---

Introduction.....	2	Troubleshooting.....	14
Safety.....	4	Transportation, storage and disposal.....	15
Assembly.....	10	Technical data.....	16
Operation.....	11	EC Declaration of Conformity.....	18
Maintenance.....	13		

---

## Introduction

---

### Product description

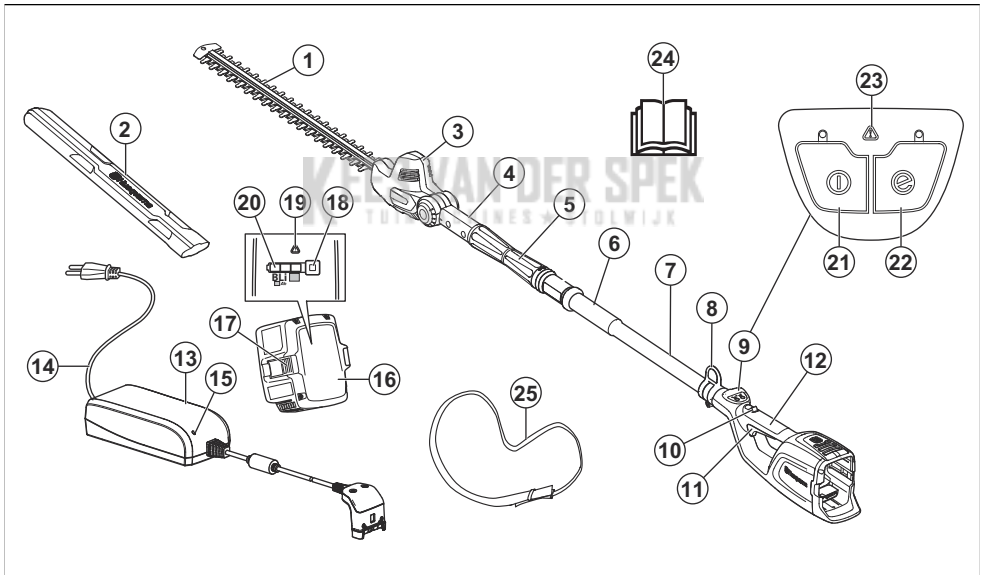
Husqvarna 120iTK4-H is a battery telescopic pole hedge trimmer.

Work is constantly in progress to increase your safety and efficiency during operation. Speak to your servicing dealer for more information.

### Intended use

Use the product to cut branches and twigs. Do not use the product for other tasks.

### Product overview



- |                           |                              |
|---------------------------|------------------------------|
| 1. Blade                  | 11. Power trigger            |
| 2. Transport guard        | 12. Rear handle              |
| 3. Housing                | 13. Battery charger          |
| 4. Position split handle  | 14. Cord                     |
| 5. Telescopic function    | 15. Power on/Warning LED     |
| 6. Front handle           | 16. Battery                  |
| 7. Shaft                  | 17. Battery release buttons  |
| 8. Harness support hook   | 18. Battery indicator button |
| 9. Keypad                 | 19. Warning LED              |
| 10. Power trigger lockout | 20. Battery indicator LED    |

- 21. Start/Stop button
- 22. SavE button
- 23. Warning LED
- 24. Operator's manual
- 25. Harness

## Symbols on the product



**WARNING!** This product is dangerous. Injury or death can occur to the operator or bystanders if the product is not used carefully and correctly. To prevent injury to the operator or bystanders, read and obey all safety instructions in the operator's manual. Please read the operator's manual carefully and make sure that you understand the instructions before use.



Use a protective helmet in locations where objects can fall on you. Use approved hearing protection. Use approved eye protection.



Use approved protective gloves.



The product agrees with the applicable EC directives.



Rated voltage, V



Direct current.



Do not expose to rain.



Keep hands away from blade.



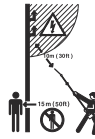
Telescopic function.



Split function.



Turn left to loose the knob, turn right to tighten the knob.



This product does not have insulation. If the product touches or comes near high-voltage power lines, it can cause death or bad injury. The current can jump from one point to other points by arcing. The higher the voltage is, the larger distance the current can jump. The current can also go through branches and other objects, especially when they are wet. Always keep a minimum distance of 10 m between the product and high-voltage power lines and/or all objects that are touching them. If you must work in this safe distance, always tell the related power company to make sure the power is off before you start work. Keep a minimum of 15 m to other persons or animals during the operation.

yyyywwxxxx

The rating plate shows the serial number. **yyyy** is the production year, **ww** is the production week.

**Note:** Other symbols/decals on the product refer to certification requirements for some markets.

## Symbols on the battery and/or on the battery charger



Recycle this product at a recycling station for electrical and electronic equipment. (Applies to Europe only)



Fail-safe transformer.



Use and keep the battery charger indoors only.



Double insulation.

## Product liability

As referred to in the product liability laws, we are not liable for damages that our product causes if:

- the product is incorrectly repaired.
- the product is repaired with parts that are not from the manufacturer or not approved by the manufacturer.

- the product has an accessory that is not from the manufacturer or not approved by the manufacturer.

- the product is not repaired at an approved service center or by an approved authority.

---

## Safety

---

### Safety definitions

Warnings, cautions and notes are used to point out specially important parts of the manual.



**WARNING:** Used if there is a risk of injury or death for the operator or bystanders if the instructions in the manual are not obeyed.



**CAUTION:** Used if there is a risk of damage to the product, other materials or the adjacent area if the instructions in the manual are not obeyed.

**Note:** Used to give more information that is necessary in a given situation.

### General power tool safety warnings



**WARNING:** Read all safety warnings and all instructions. Failure to follow the warnings and instructions may result in electric shock, fire and/or serious injury.

**Note:** Save all warnings and instructions for future reference. The term "power tool" in the warnings refers to your mains-operated (corded) power tool or battery-operated (cordless) power tool.

### Work area safety

- **Keep work area clean and well lit.** Cluttered or dark areas invite accidents.
- **Do not operate power tools in explosive atmospheres, such as in the presence of flammable liquids, gases or dust.** Power tools create sparks which may ignite the dust or fumes.
- **Keep children and bystanders away while operating a power tool.** Distractions can cause you to lose control.

### Electrical safety

- **Power tool plugs must match the outlet. Never modify the plug in any way. Do not use any adapter plugs with earthed (grounded) power tools.** Unmodified plugs and matching outlets will reduce risk of electric shock.
- **Avoid body contact with earthed or grounded surfaces, such as pipes, radiators, ranges and refrigerators.** There is an increased risk of electric shock if your body is earthed or grounded.

- **Do not expose power tools to rain or wet conditions.** Water entering a power tool will increase the risk of electric shock.
- **Do not abuse the cord. Never use the cord for carrying, pulling or unplugging the power tool. Keep cord away from heat, oil, sharp edges or moving parts.** Damaged or entangled cords increase the risk of electric shock.
- **When operating a power tool outdoors, use an extension cord suitable for outdoor use.** Use of a cord suitable for outdoor use reduces the risk of electric shock.
- **If operating a power tool in a damp location is unavoidable, use a residual current device (RCD) protected supply.** Use of a RCD reduces the risk of electric shock.

### Personal safety

- **Stay alert, watch what you are doing and use common sense when operating a power tool. Do not use a power tool while you are tired or under the influence of drugs, alcohol or medication.** A moment of inattention while operating power tools may result in serious personal injury.
- **Use personal protective equipment. Always wear eye protection.** Protective equipment such as dust mask, non-skid safety shoes, hard hat or hearing protection used for appropriate conditions will reduce personal injuries.
- **Prevent unintentional starting. Ensure the switch is in the OFF-position before connecting to a power source and/or battery pack, picking up or carrying the tool.** Carrying power tools with your finger on the switch or energising power tools that have the switch on invites accidents.
- **Remove any adjusting key or wrench before turning the power tool on.** A wrench or a key left attached to a rotating part of the power tool may result in personal injury.
- **Do not overreach. Keep proper footing and balance at all times.** This enables better control of the power tool in unexpected situations.
- **Dress properly. Do not wear loose clothing or jewellery. Keep your hair and clothing away from moving parts.** Loose clothes, jewellery or long hair can be caught in moving parts.
- **If devices are provided for the connection of dust extraction and collection facilities, ensure these are connected and properly used.** Use of dust collection can reduce dust-related hazards.
- **Do not let familiarity gained from frequent use of tools allow you to become complacent and ignore tool safety principles.** A careless action can cause severe injury within a fraction of a second.

- The vibration emission during actual use of the power tool can differ from the declared total value depending on the ways in which the tool is used. Operators should identify safety measures to protect themselves that are based on an estimation of exposure in the actual conditions of use (taking account of all parts of the operating cycle such as the times when the tool is switched off and when it is running idle in addition to the trigger).

## Power tool use and care

- **Do not force the power tool. Use the correct power tool for your application.** The correct power tool will do the job better and safer at the rate for which it was designed.
- **Do not use the power tool if the switch does not turn it on and off.** Any power tool that cannot be controlled with the switch is dangerous and must be repaired.
- **Disconnect the plug from the power source and/or the battery pack from the power tool before making any adjustments, changing accessories, or storing power tools.** Such preventive safety measures reduce the risk of starting the power tool accidentally.
- **Store idle power tools out of the reach of children and do not allow persons unfamiliar with the power tool or these instructions to operate the power tool.** Power tools are dangerous in the hands of untrained users.
- **Maintain power tools. Check for misalignment or binding of moving parts, breakage of parts and any other condition that may affect the power tool's operation. If damaged, have the power tool repaired before use.** Many accidents are caused by poorly maintained power tools.
- **Keep cutting tools sharp and clean.** Properly maintained cutting tools with sharp cutting edges are less likely to bind and are easier to control.
- **Use the power tool, accessories and tool bits etc. in accordance with these instructions, taking into account the working conditions and the work to be performed.** Use of the power tool for operations different from those intended could result in a hazardous situation.
- **Keep handles and grasping surfaces dry, clean and free from oil and grease.** Slippery handles and grasping surfaces do not allow for safe handling and control of the tool in unexpected situations.

## Battery tool use and care

- **Recharge only with the charger specified by the manufacturer.** A charger that is suitable for one type of battery pack may create a risk of fire when used with another battery pack.
- **Use power tools only with specifically designated battery packs.** Use of any other battery packs may create a risk of injury and fire.
- **When battery pack is not in use, keep it away from other metal objects, like paper clips, coins, keys,**

**nails, screws or other small metal objects, that can make a connection from one terminal to another.** Shorting the battery terminals together may cause burns or a fire.

- **Under abusive conditions, liquid may be ejected from the battery; avoid contact. If contact accidentally occurs, flush with water. If liquid contacts eyes, additionally seek medical help.** Liquid ejected from the battery may cause irritations or burns.
- **Do not use a battery pack or tool that is damaged or modified.** Damaged or modified batteries may exhibit unpredictable behavior resulting in fire, explosion or risk of injury.
- **Do not expose a battery pack or tool to fire or excessive temperature.** Exposure to fire or temperature above 130 °C / 265 °F may cause explosion.
- **Follow all charging instructions and do not charge the battery pack or tool outside the temperature range specified in the instructions.** Charging improperly or at temperatures outside the specified range may damage the battery and increase the risk of fire.

## Service

- **Have your power tool serviced by a qualified repair person using only identical replacement parts.** This will ensure that the safety of the power tool is maintained.
- **Never service damaged battery packs.** Service of battery packs should only be performed by the manufacturer or authorized service providers.

## Safety instructions for hedge trimmer

- **Keep all parts of the body away from the blade. Do not remove cut material or hold material to be cut when blades are moving.** Blades continue to move after the switch is turned off. A moment of inattention while operating the hedge trimmer may result in serious personal injury.
- **Carry the hedge trimmer by the handle with the blade stopped and taking care not to operate any power switch.** Proper carrying of the hedge trimmer will decrease the risk of inadvertent starting and resultant personal injury from the blades.
- **When transporting or storing the hedge trimmer, always fit the blade cover.** Proper handling of the hedge trimmer will decrease the risk of personal injury from the blades.
- **When clearing jammed material or servicing the unit, make sure all power switches are off and the power cord is disconnected.** Unexpected actuation of the hedge trimmer while clearing jammed material or servicing may result in serious personal injury.
- **Hold the hedge trimmer by insulated gripping surfaces only, because the blade may contact hidden wiring or its own cord.** Blades contacting a "live" wire may make exposed metal parts of the hedge trimmer "live" and could give the operator an electric shock.

- **Keep all power cords and cables away from cutting area.** Power cords or cables may be hidden in hedges or bushes and can be accidentally cut by the blade.
- **Do not use the hedge trimmer in bad weather conditions, especially when there is a risk of lightning.** This decreases the risk of being struck by lightning.
- **To reduce the risk of electrocution, never use the extended-reach hedge trimmer near any electrical power lines.** Contact with or use near power lines may cause serious injury or electric shock resulting in death.
- **Always use two hands when operating the extended-reach hedge trimmer.** Hold the extended-reach hedge trimmer with both hands to avoid loss of control.
- **Always use head protection when operating the extended-reach hedge trimmer overhead.** Falling debris can result in serious personal injury.

## General safety instructions



**WARNING:** Read the warning instructions that follow before you use the product.

- Remove the battery to prevent the product from being started by accident.
- This product is a dangerous tool if you are not careful or if you use the product incorrectly. This product can cause serious injury or death to the operator or others.
- Do not use the product if it is changed from its initial specification. Do not change a part of the product without approval from the manufacturer. Only use parts that are approved by the manufacturer. Injury or death is a possible result of incorrect maintenance.
- Do a check of the product before use. See, *Safety devices on the product on page 8 and Maintenance on page 13.* Do not use a defective product. Do the safety checks, maintenance and service instructions described in this manual.
- Children should be supervised to ensure that they do not play with the product. Never allow children or other persons not trained in the use of the product and/or the battery to use or service it. Local laws may regulate the age of the user.
- Keep the product in a locked area to prevent access for children or persons that are not approved.
- Store the product out of reach of children.
- Under no circumstances may the design of the product be modified without the permission of the manufacturer. Always use original accessories. Non-authorized modifications and/or accessories can result in serious personal injury or the death of the operator and others.

**Note:** National or Local laws can regulate the use. Comply to given regulations.

## Safety instructions for operation



**WARNING:** Read the warning instructions that follow before you use the product.

- If you encounter a situation where you are uncertain how to proceed you should ask an expert. Contact your dealer or your service workshop. Avoid all usage which you consider to be beyond your capability.
- Never use the product if you are fatigued, while under the influence of alcohol or drugs, medication or anything that could affect your vision, alertness, coordination or judgment.
- Working in bad weather is tiring and often brings added risk. Due to the added risk, it is not recommended to use the machine in very bad weather, for instance in dense fog, heavy rain, strong winds, intense cold, risk of lightning, etc.
- Faulty cutting attachment can increase the risk of accidents.
- Do not allow children to use or be in the vicinity of the product. Since the product is easy to start, children may be able to start it if they are not kept under full surveillance. This can mean a risk of serious personal injury. Disconnect the battery when the product is not under close supervision.
- Ensure that no people or animals come closer than 15 meters while you work. When several operators are working in the same area the safety distance should be at least 15 meters. Otherwise there is a risk of serious personal injury. Stop the product immediately if anyone approaches. Never swing the product around without first checking behind you to make sure that no one is within the safety zone.
- Ensure that people, animals or other things can not affect your control of the product or that they do not come in contact with the cutting attachment or loose objects that are thrown out by the cutting attachment. However, do not use the product unless you are able to call for help in the event of an accident.
- Always inspect the working area. Remove all loose objects such as stones, broken glass, nails, steel wire, string, etcetera, that could be thrown out or become wrapped around the cutting attachment.
- Make sure that you can move and stand safely. Check the area around you for possible obstacles (roots, rocks, branches, ditches, etcetera) in case you have to move suddenly. Take great care when you work on sloping ground.
- Keep a good balance and a firm foothold at all times. Do not overreach.

- Deactivate the product before you move to another area. Attach the transport guard when the product is not in use.
- Never put the product down unless you have deactivated it. Do not leave the product unsupervised when it is switched on.
- Remove the battery before you pass the product to another person.
- Make sure that no clothes or parts of the body come in contact with the cutting attachment when the product is activated.
- If anything jams in the cutting attachment while you operate the product, stop and deactivate the product. Make sure that the cutting attachment stops completely. Remove the battery before you clean, inspect or repair the product and/or the cutting equipment.
- Keep your hands and feet away from the cutting attachment until it has stopped completely when the product is deactivated.
- Watch out for stumps of branches that can be thrown out when you cut. Do not cut too close to the ground where stones and other objects can be thrown out.
- Watch out for thrown objects. Always wear approved eye protection. Never lean over the cutting attachment guard. Stones, rubbish, etc., can be thrown up into the eyes which can cause blindness or serious injury.
- Listen out for warning signals or shouts when you wear hearing protection. Always remove your hearing protection as soon as the product stops.
- Never work from a ladder, stool or any other raised position that is not fully secured.
- This machine produces an electromagnetic field during operation. This field may under some circumstances interfere with active or passive medical implants. To reduce the risk of serious or fatal injury, we recommend persons with medical implants to consult their physician and the medical implant manufacturer before operating this machine.
- Always hold the product with both hands. Hold the product on the right side of your body.
- Always stop the product, remove the battery and make sure that the cutting equipment does not rotate before you remove material that is wound around the blade shaft or caught between the guard and the cutting attachment.
- The electromagnetic field during operation can interfere with the active or passive medical implants. The persons with medical implants speak to your physician and the medical implant manufacturer before operating this product.
- Hold the weight of the product with the harness to make it easy to operate.
- Long-term exposure to noise can result in permanent hearing impairment. Husqvarna recommends that operators use approved hearing protection.
- Never use a product that has been modified in any way from its original specification.
- Never use a product that is faulty. Carry out the safety checks, maintenance and service instructions described in this manual. Some maintenance and service measures must be carried out by trained and qualified specialists. See instructions under the maintenance heading.
- Carry out an overall inspection of the product before use. See the maintenance schedule.
- Never allow anyone else to use the machine without first ensuring that they have read and understood the contents of the operator's manual.
- Check the working area for foreign objects such as electricity cables and animals, etc, or other objects that could damage the cutting attachment, such as metal items.
- Faulty blades can increase the risk of accidents.

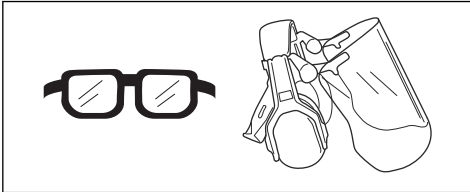
## Personal protective equipment



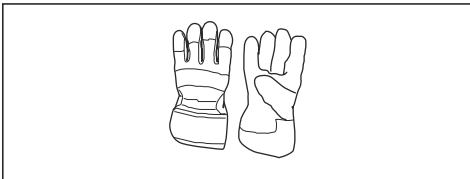
**WARNING:** Read the warning instructions that follow before you use the product.

- Always use approved personal protective equipment when you use the product. Personal protective equipment cannot fully prevent injury but it decreases the degree of injury if an accident does occur. Let your dealer help you select the right equipment.
  - Use a protective helmet where there is a risk of falling objects.
- 
- Long term exposure to noise can result in damaged hearing. In general, battery powered products are relatively quiet but damage can result from a combination of noise level and long usage. Husqvarna recommends that operators use hearing protectors when using products for a longer coherent time of a day. Continual and regular users should have their hearing checked regularly.
- 
- **WARNING:** Hearing protectors limit the ability to hear sounds and warning signals.

- Use approved eye protection. If you use a visor, you must also use approved protective goggles. Approved protective goggles must comply with the ANSI Z87.1 standard in the USAs or EN 166 in EU countries.



- Use gloves when necessary, for example when you attach, examine or clean the cutting equipment.



- Use clothing made of a strong fabric. Always use heavy, long pants and long sleeves. Do not use loose clothing that can catch on twigs and branches. Do not wear jewelry, short pants, sandals or go with bare feet. Put your hair up safely above shoulder level.
- Keep first aid equipment close at hand.



### Safety devices on the product



**WARNING:** Read the warning instructions that follow before you use the product.

In this section the product's safety features, its purpose and how checks and maintenance should be carried out to ensure that it operates correctly. See instructions under the heading *Product overview on page 2* to find where these parts are located on your product.

The life span of the product can be reduced and the risk of accidents can increase if product maintenance is not carried out correctly and if service and/or repairs are not carried out professionally. If you need further information please contact your nearest servicing dealer.



**WARNING:** Never use a product with defective safety components. The product's safety equipment must be inspected and

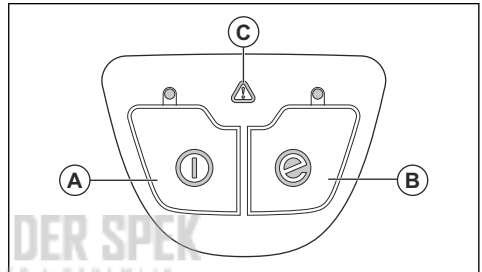
maintained as described in this section. If your product fails any of these checks, contact your service agent to get it repaired.



**CAUTION:** All servicing and repair work on the machine requires special training. This is especially true of the machine's safety equipment. If your machine fails any of the checks described below you must contact your service agent. When you buy any of our products we guarantee the availability of professional repairs and service. If the retailer who sells your machine is not a servicing dealer, ask him for the address of your nearest service agent.

### To do a check of the keypad

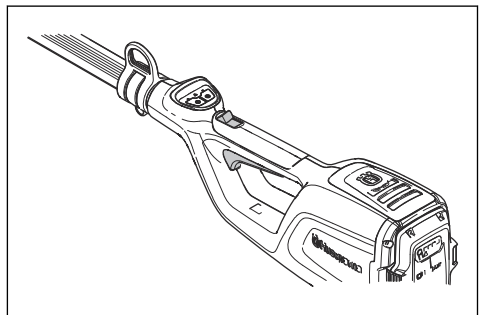
1. Push and hold the start/stop button (A).



- a) The product is on when the LED is on.
  - b) The product is off when the LED is off.
2. Refer to *To start the SavE function on page 12* for the function of the SavE button (B).
  3. Refer to *Troubleshooting on page 14* if the warning indicator (C) is on or flashes.

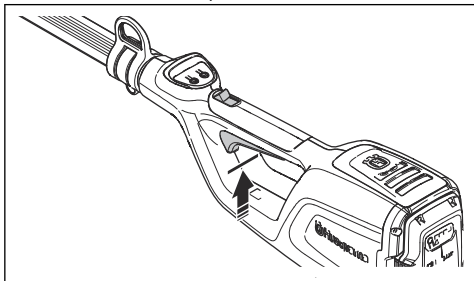
### To do a check of the power trigger lockout

The power trigger lockout prevents accidental operation. When you release the handle, the power trigger and the power trigger lockout move back to their initial position.

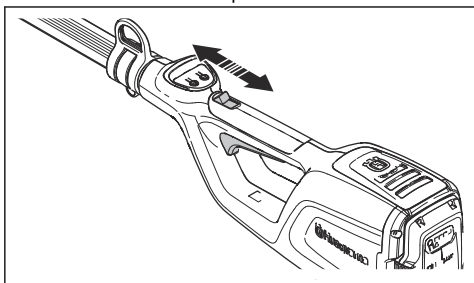




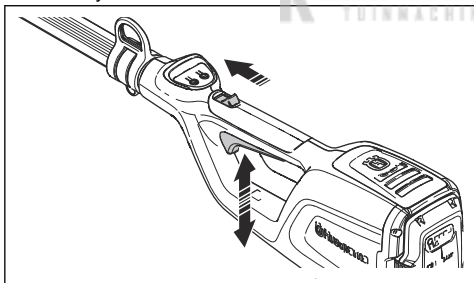
1. Make sure that the power trigger is locked when the lockout is in its initial position.



2. Pull and release the lockout and make sure that it moves back to its initial position.



3. Make sure that the power trigger and the lockout move freely and that the return spring operates correctly.



4. Start the product, see *To start the product on page 12*.
5. Apply full speed.
6. Release the power trigger and make sure that the cutting attachment stops fully.

### Battery safety



**WARNING:** Read the warning instructions that follow before you use the product.

- The recommended battery is BLi10. Refer to *Technical data on page 16*. The battery is software encrypted.

- Use the BLi10 battery that is rechargeable as a power supply for the related Husqvarna products only. To prevent injury, do not use the battery as a power supply for other devices.
- Risk of electrical shock. Do not connect the battery terminals to keys, coins, screws or other metal. This can cause a short circuit of the battery.
- Do not use non-rechargeable batteries.
- Do not put objects into the air slots of the battery.
- Keep the battery away from sunlight, heat or open flame. The battery can cause burns and/or chemical burns.
- Keep the battery away from rain and wet conditions.
- Keep the battery away from microwaves and high pressure.
- Do not try to disassemble or break the battery.
- If the battery leaks, do not let the liquid touch your body or eyes. If you have touched the liquid, clean the area with a large quantity of water and soap, and get medical aid. If you get liquid in your eyes, do not rub but flush with water for a minimum of 15 minutes and get medical aid.
- Use the battery in temperatures between -10 °C (14 °F) and 40 °C (114 °F).
- Do not clean the battery or the battery charger with water. Refer to *To clean the product, the battery and the battery charger on page 14*.
- Do not use a defective or damaged battery.
- Keep batteries in storage away from metal objects such as nails, screws or jewelry.
- Keep the battery away from children.

### Battery charger safety



**WARNING:** Read the warning instructions that follow before you use the product.

- Risk of electrical shock or short circuit if the safety instructions are not obeyed.
- Do not use other battery chargers than the one supplied for your product. The recommended charger is QC80 when you charge the BLi10 battery.
- Do not try to disassemble the battery charger.
- Do not use a defective or damaged battery charger.
- Do not lift the battery charger by the power cord. To disconnect the battery charger from a mains socket, pull out the plug. Do not pull the power cord.
- Keep all cables and extension leads away from water, oil and sharp edges. Make sure that the cable is not caught between objects, for example, doors, fences or equivalent.
- Do not use the battery charger near flammable materials or materials that can cause corrosion. Make sure that the battery charger is not covered. Pull out the plug to the battery charger if there is smoke or fire.

- Only charge the battery indoors in a location with good airflow and away from sunlight. Do not charge the battery outdoors. Do not charge the battery in wet conditions.
- Only use the battery charger where the temperature is between 5 °C (41 °F) and 40 °C (104 °F). Use the charger in an environment which has a good airflow, dry and free from dust.
- Do not put objects into the cooling slots of the battery charger.
- Do not connect the battery charger terminals to metal objects as this can short circuit the battery charger.
- Use approved mains sockets that are not damaged. Make sure that the cord of the battery charger is not damaged. If extension cables are used, make sure that the extension cables are not damaged.

- The operator must only do the maintenance and servicing shown in this operator's manual. Turn to your servicing dealer for maintenance and servicing of a larger extension.
- Do not clean the battery or the battery charger with water. Strong detergent can cause damage to the plastic.
- If you do not do maintenance, it decreases the life cycle of the product and increases the risk of accidents.
- Special training is necessary for all servicing and repair work, especially for the safety devices on the product. If not all checks in this operator's manual are approved after you have done maintenance, turn to your servicing dealer. We guarantee that there are professional repairs and servicing available for your product.
- Keep the teeth of the blade correctly sharpened. Obey our recommendations. Also refer to the instructions on the blade package.
- Only use original spare parts.
- Always use heavy duty gloves when you repair the cutting attachment. The blades are very sharp and can easily cause injuries.

## Safety instructions for maintenance



**WARNING:** Read the warning instructions that follow before you do maintenance on the product.

- Remove the battery before you do maintenance, other checks or assemble the product.

## Assembly

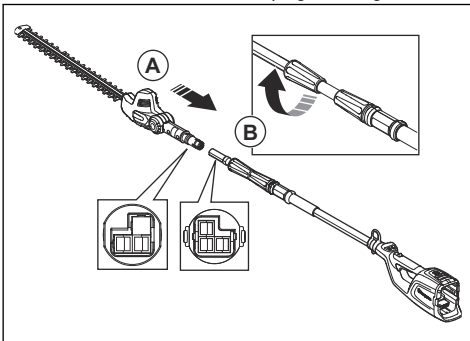
### Introduction



**WARNING:** Read and understand the safety chapter before you assemble the product.

### To assemble the shaft

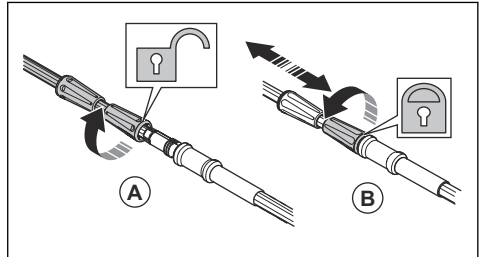
1. Make sure that the electrical plugs are aligned.



2. Connect the ends of the shaft (A) fully.
3. Tighten the screw handle on the hedge trimmer head side of the shaft (B).

### To adjust the length of the shaft

1. Loosen the screw handle at the battery housing side of the shaft (A).



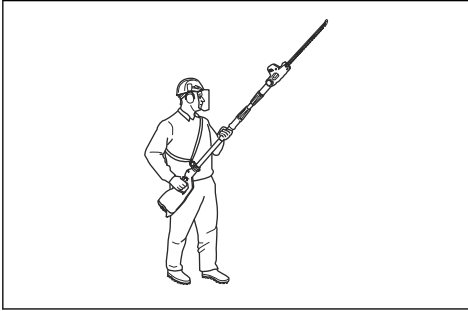
2. Adjust the shaft to an applicable length.
3. Tighten the screw handle (B).

### To adjust the harness

Always use the harness when you operate the product. The harness gives maximum control during operation of the product. The harness decreases the risk of tiredness in your arms and back.

1. Put on the harness.
2. Attach the product to the harness support hook.

- Adjust the length of the harness until the support hook is roughly level with your right hip.



---

## Operation

---

### Introduction

---



**WARNING:** Read and understand the safety chapter before you use the product.

### To do before you start the product

- Examine the work area. Remove objects that can be thrown out.
- Examine the cutting attachment. Make sure that the blades are sharp, and have no cracks and damages.
- Make sure that the product works correctly. Examine that all nuts and screws are tight.
- Make sure that the handle and safety devices are not damaged and are attached correctly. Do not operate a product with missing parts or is changed from its initial specification. Use protective gloves when it is necessary.
- Make sure that the covers are not damaged and are attached correctly, before you operate the product.

### To connect the battery charger

- Connect the battery charger to the voltage and frequency that is specified on the rating plate.
- Put the plug in a grounded socket outlet. The LED on the battery charger flashes green one time.

**Note:** The battery does not charge if the battery temperature is more than 50 °C/122 °F. If the temperature is more than 50 °C/122 °F, the battery charger makes the battery become cool before the battery charges.

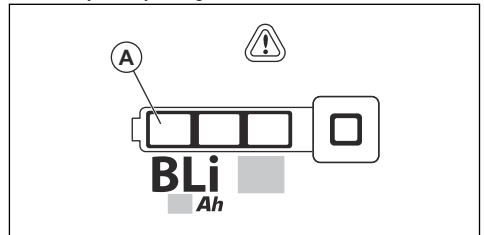
---

### To connect the battery to the battery charger

**Note:** Charge the battery if it is the first time that you use it. A new battery is only 30% charged.

---

- Make sure that the battery is dry.
- Connect the battery to the battery charger.
- Make sure that the green charging light on the battery charger comes on. That means that the battery is connected correctly to the battery charger.
- When all LEDs (A) on the battery come on, the battery is fully charged.



- To disconnect the battery charger from the mains socket, pull the plug. Do not pull the cord.
- Remove the battery from the battery charger.

**Note:** Refer to the battery and battery charger manuals for more information.

---

### To connect the battery to the product

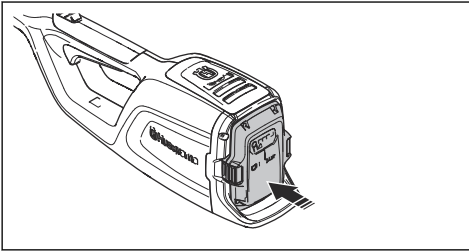


**WARNING:** Only use Husqvarna original batteries in the product.

---

- Make sure that the battery is fully charged.

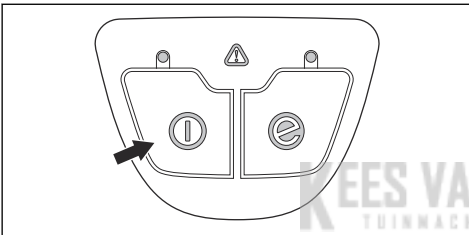
- Put the battery into the battery holder of the product. The battery must move into the holder easily, if not, it is not installed correctly.



- Push the lower part of the battery and push it in fully into the battery holder. The battery locks into position when you hear a click.
- Make sure that the latches lock in position correctly.

## To start the product

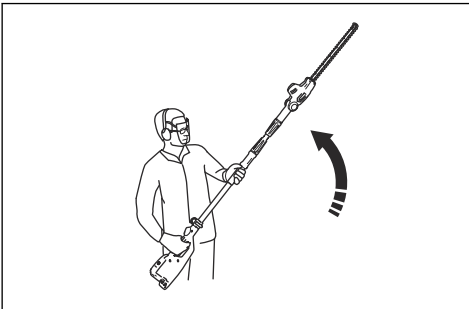
- Push and hold the start/stop button until the green LED comes on.



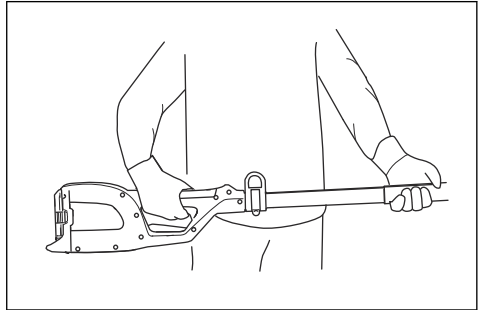
- Pull the power trigger lockout rearward and hold the power trigger.

## To operate the product

- Start near the ground and move the product up along the hedge when you cut the sides.



- Hold the product near your body for a stable work position.

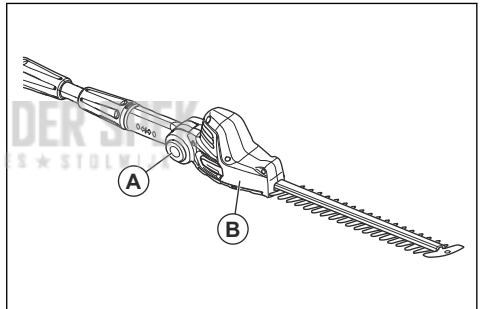


- Make sure that the tip of the cutting equipment does not touch the ground.
- Be careful and work slowly until all the branches are correctly cut.

## To adjust the angle of the cutting attachment

The cutting attachment can be adjusted in 7 different positions.

- Stop the product and remove the battery.

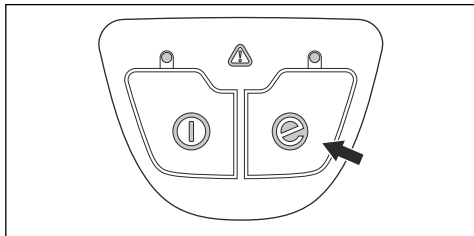


- Hold the housing (B) tight.
- Push and hold the lock buttons (A) at the 2 sides of the housing (B).
- Move the cutting attachment to the correct angle.
- Release the lock buttons (A) at the 2 sides.
- Move the housing (B) up and down until the cutting attachment locks in position.

## To start the SavE function

The product has a SavE function. The SavE function gives the longest operation time from the battery.

1. Push the SavE button. The LED comes on to show that the function is on.



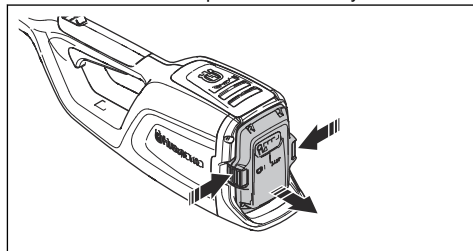
2. Push the SavE button again to stop the SavE function.

### Automatic shutdown function

The product has an automatic shutdown function that stops the product if it is not used. The green LED for start/stop indication goes off and the product stops after 60 seconds.

### To stop the product

1. Release the power trigger.
2. Push and hold the start/stop button until the green LED goes off.
3. Remove the battery from the product. Push the 2 release buttons and pull out the battery.



## Maintenance

### Introduction



**WARNING:** Read and understand the safety chapter before you do maintenance work on the product.



**WARNING:** Remove the battery before you do maintenance on the product.

### Maintenance schedule

The following is a list of the maintenance steps that you must do on the product.

Maintenance	Before use	Weekly	Monthly
Clean the external parts of the product.	X		
Examine that the start and stop switch works correctly and is not damaged.	X		
Make sure that the power trigger and the power trigger lockout function correctly from a safety point of view.	X		
Make sure that all controls work and are not damaged.	X		
Make sure that the cutter blade and cutter guard have no cracks and that they are not damaged. Replace the cutter blade or the cutter guard if they have cracks or if they have been exposed to impact.	X		
Replace the cutter blade if it is bent or damaged.	X		
Make sure that the screws and nuts are tight.	X		
Make sure that the battery is not damaged.	X		
Make sure that the battery is charged.	X		
Make sure that the battery charger is not damaged.	X		

Maintenance	Before use	Weekly	Monthly
Make sure that the screws that hold the cutter blades together are correctly tightened.		X	
Do a check of the connections between the battery and the product. Do a check of the connection between the battery and the battery charger.			X

## To examine the battery and the battery charger

1. Examine the battery for damages, for example cracks.
2. Examine the battery charger for damages, for example cracks.
3. Make sure that the connection cord of the battery charger is not damaged and that there are no cracks in it.

## To clean the product, the battery and the battery charger

1. Clean the product with a dry cloth after use.
2. Clean the battery and battery charger with a dry cloth. Keep the battery guide tracks clean.
3. Make sure that the terminals on the battery and the battery charger are clean before the battery is put in the battery charger or the product.

## To examine the cutter blade

1. Clean the cutter blades from unwanted materials with an anti corrosion cleaning agent before and after you use the product.
2. Examine the edges of the cutter blade for damages and deformation.

3. Use a file to remove burrs on the cutter blade.
4. Make sure that the cutter blades move freely.

## To clean and lubricate the blades

1. Clean the blades from unwanted materials before and after you use the product.
2. Lubricate the blades before long periods of storage.

**Note:** Speak to your servicing dealer for more information about recommended cleaning agents and lubricants.

## To lubricate the gear

Apply grease to the gear housing if the gear has been disassembled by an approved servicing dealer.

- Use Husqvarna special grease. Speak to your servicing dealer for more information about recommended grease.
- Only use a small quantity of a special high quality grease.



**CAUTION:** Do not fill the gear housing fully.

# Troubleshooting

## Keypad

LED screen	Possible faults	Possible solutions
The error LED flashes.	Overload	The cutting attachment cannot move freely. Release the cutting attachment.
The product does not start.	There is dirt in the battery connectors.	Clean the battery connectors with compressed air or a soft brush.
The error LED comes on with red light.	It is necessary to do servicing on the product	Speak to your service dealer.

## Battery

LED display	Possible faults	Possible action
The green LED flashes.	Low battery voltage.	Charge the battery.
The error LED flashes.	Temperature deviation.	Use the battery in temperatures between -10°C (14°F) and 40°C (104°F).
	Too much voltage.	Make sure that the mains voltage aligns with the voltage stated on the rating plate of the product.
		Remove the battery from the battery charger.
The error LED is on.	Cell difference is too much (1V).	Speak to your servicing dealer.

## Battery charger

Problem	Possible faults	Possible solution
Red error LED flashes.	Temperature deviation.	Use the battery charger in temperatures between 5 °C (41 °F) and 40 °C (104 °F).
Red error LED comes on.	Too much cell difference (1V).	Speak to your servicing dealer.

## Transportation, storage and disposal

### Transportation and storage

- The supplied Li-ion batteries obey the Dangerous Goods Legislation requirements.
- Obey the special requirement on package and labels for commercial transportation, including by third parties and forwarding agents.
- Speak to a person with special training in dangerous material before you send the product. Obey all applicable national regulations.
- Use tape on open contacts when you put the battery in a package. Put the battery in the package tightly to prevent movement.
- Remove the battery for storage or transportation.
- Put the battery and the battery charger in a space that is dry and free from moisture and frost.
- Do not keep the battery in an area where static electricity can occur. Do not keep the battery in a metal box.
- Put the battery in storage where the temperature is between 5°C/41°F and 25°C/77°F and away from open sunlight.
- Put the battery charger in storage where the temperature is between 5 °C/41 °F and 45°C/113°F and away from open sunlight.
- Use the battery charger only when the surrounding temperature is between 5°C/41°F and 40°C/104°F.
- Charge the battery 30% to 50% before you put it in storage for long periods.
- Put the battery charger in storage in a space that is closed and dry.
- Keep the battery away from the battery charger during storage. Do not let children and other not approved persons to touch the equipment. Keep the equipment in a space that you can lock.
- Clean the product and do a full servicing before you put the product in storage for a long time.
- Use the transportation guard on the product to prevent injuries or damage on the product during transportation and storage.
- Attach the product safely during transportation.

### Disposal of the battery, battery charger and product

Symbols on the product or the package of the product means that the product is not domestic waste. Recycle it

at a recycling station for electrical and electronic equipment. This helps to prevent damage to the environment and to persons.

Get in touch with your local authorities, domestic waste service or your dealer for more information about how to recycle your product.

## Technical data

### Technical data

	<b>120iTK4-H</b>
<b>Motor</b>	
Motor type	PMDC 36V
<b>Weight</b>	
Weight without battery, kg	4.6
Weight with battery (default battery BLi10), kg	5.3
<b>Noise emissions<sup>1</sup></b>	
Sound power level, measured dB(A)	91.32
Sound power level, guaranteed $L_{WA}$ dB(A)	94
<b>Sound levels<sup>2</sup></b>	
Sound pressure level at the operator's ear, measured according to EN 62841-1 and EN 62841-4-2, dB(A)	81.3
<b>Vibration levels<sup>3</sup></b>	
Vibration levels ( $a_h$ ) at front/rear handles, $m/s^2$ . Refer to EN 62841-1 and EN 62841-4-2.	1.223/0.816
<b>Cutting equipment</b>	
Type	Double sided
Blade length, mm	500
Blade speed cuts/min in the SavE mode	2250
Blade speed cuts/min not in the SavE mode	2800

<sup>1</sup> Noise emissions in the environment measured as sound power ( $L_{WA}$ ) in conformity with EC directive 2000/14/EC. The difference between guaranteed and measured sound power is that guaranteed sound power also includes dispersion in the measurement result and the variations between different products of the same model refer to Directive 2000/14/EC.

<sup>2</sup> Typical statistical dispersion for equivalent sound pressure level is a standard deviation of 3 dB (A).

<sup>3</sup> Reported date for vibration level has a typical statistical dispersion (standard deviation) of 1.5  $m/s^2$ .

The declared vibration total value has been measured in accordance with a standard test method and may be used for comparing on tool with another.

The declared vibration total value may also be used in a preliminary assessment of exposure.



## Approved battery chargers

Battery charger	QC80
Input voltage, V	100-240
Frequency, Hz	50-60
Power, W	100
Output voltage, V DC/A	36/2

## Approved batteries for the product

Battery	BLi10
Type	Lithium-ion
Battery capacity, Ah	Refer to battery rating decal
Nominal voltage, V	36
Weight, kg	0.7

**KEES VAN DER SPEK**  
TUINMACHINES ★ STOLWIJK

---

# EC Declaration of Conformity

---

## EC Declaration of Conformity

Husqvarna AB, SE-561 82 Huskvarna, Sweden, tel: +46-36-146500, declare that the pole hedge trimmer **Husqvarna 120ITK4-H** with serial numbers dating from 2021 onwards (the year is clearly stated on the rating plate, followed by the serial number), comply with the requirements of the COUNCIL'S DIRECTIVE:

- of May 17, 2006 "relating to machinery" **2006/42/EC**.
- of February 26, 2014 "relating to electromagnetic compatibility" **2014/30/EU**.
- of June 8, 2011 on the "restriction of use of certain hazardous substances" **2011/65/EU**.

The following standards have been applied:

**EN 62841-1:2015, EN 62841-4-2:2019, EN 55014-1:2017+A11, EN 55014-2:2015, CISPR12:2007+A1 2009, EN IEC 63000:2018.**

TÜV Rheinland LGA Products GmbH, Tillystrasse 2, D-90431 Nuernberg, Germany, has performed voluntary type examination on behalf of Husqvarna AB. The certificate has the number: **AM 50491653 0001**.

Huskvarna 2020-12-30



**KEES VAN DER SPEK**  
TECHNICAL SERVICES \* STOLWIJK

Pär Martinsson, Development Manager (Authorized representative for Husqvarna AB and responsible for technical documentation.)

## Indhold

Indledning.....	19	Fejlfinding.....	32
Sikkerhed.....	21	Transport, opbevaring og bortskaffelse.....	32
Montering.....	27	Tekniske data.....	33
Drift.....	28	EU-overensstemmelseserklæring.....	35
Vedligeholdelse.....	30		

## Indledning

### Produktbeskrivelse

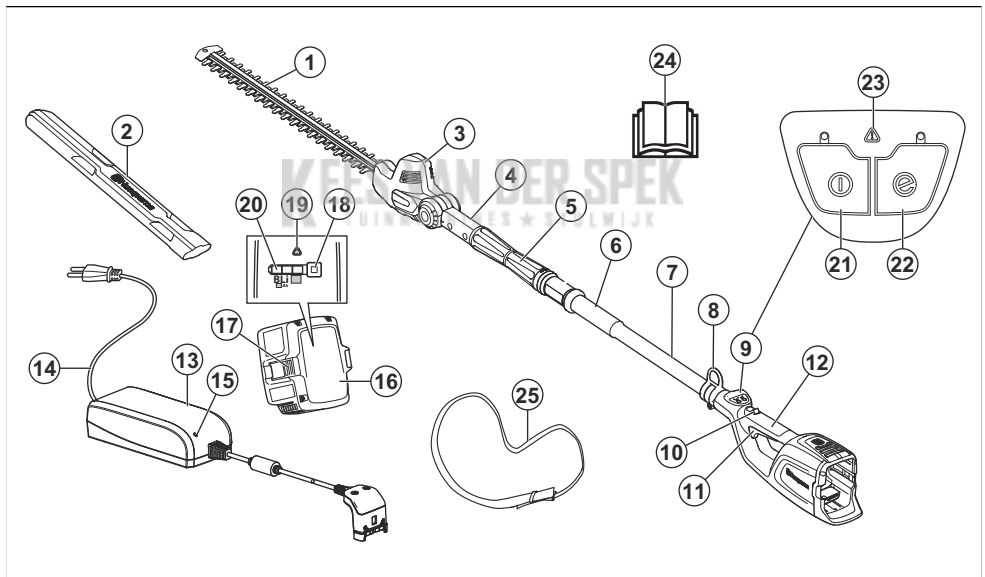
Husqvarna 120iTK4-H er en batteridrevet teleskopisk stanghækkeklipper.

Der arbejdes konstant på at øge din sikkerhed og effektivitet under betjening. Spørg serviceforhandleren for at få yderligere oplysninger.

### Anvendelsesformål

Brug produktet til beskæring af grene og kviste. Brug ikke produktet til andre opgaver.

### Produktoversigt



- |                                 |                                      |
|---------------------------------|--------------------------------------|
| 1. Klinge                       | 11. Strømdløser                      |
| 2. Transportbeskyttelse         | 12. Bageste håndtag                  |
| 3. Hus                          | 13. Batterioplader                   |
| 4. Position for knækket håndtag | 14. Snor                             |
| 5. Teleskopfunktion             | 15. Tænd/LED-indikator for advarsel  |
| 6. Forreste håndtag             | 16. Batteri                          |
| 7. Skaft                        | 17. Knapper til udløsning af batteri |
| 8. Ophængskrog på sele          | 18. Batteriindikatorknop             |
| 9. Tastatur                     | 19. LED-indikator for advarsel       |
| 10. Lås på strømdløser          | 20. LED-indikator for batteri        |

21. Start-/stopknap
22. SavE-knap
23. LED-indikator for advarsel
24. Brugsanvisning
25. Rygsæksle

## Symboler på produktet



**ADVARSEL!** Dette produkt er farligt. Personskade eller død kan forekomme hos brugeren eller personer i nærheden, hvis produktet ikke anvendes forsigtigt og korrekt. For at undgå, at brugeren eller personer i nærheden kommer til skade, skal alle sikkerhedsinstruktioner i brugsanvisningen læses og overholdes. Læs brugsanvisningen omhyggeligt igennem, og sørg for at have forstået instruktionerne, inden du bruger produktet.



Brug en beskyttelseshjelm på steder, hvor du kan få genstande i hovedet. Brug godkendt høreværn. Brug godkendt øjenværn.



Brug godkendte beskyttelseshandsker.



Produktet er i overensstemmelse med gældende EF-direktiver.



Nominel spænding, V



Jævnstrøm.



Må ikke udsættes for regn.



Hold hænderne væk fra klingens.



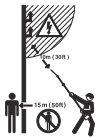
Teleskopfunktion.



Knækfunktion.



Drej grebet til venstre for at løsne, drej grebet til højre for at spænde.



Dette produkt har ikke isolering. Hvis produktet kommer i kontakt med eller i nærheden af spændingsførende ledninger, kan det resultere i dødsfald eller alvorlige kvæstelser. Strømmen kan overføres fra et punkt til et andet via en såkaldt lysbue. Jo højere spændingen er, jo længere kan strømmen springe. Strømmen kan også overføres gennem grene og andre emner, specielt hvis de er våde. Hold altid en afstand på mindst 10 m mellem produktet og spændingsførende ledninger og/eller genstande, som står i kontakt med disse. Hvis du skal arbejde med kortere sikkerhedsafstand, skal du altid kontakte det relevante elforsyningsselskab for at sikre dig, at spændingen er slået fra, inden du påbegynder arbejdet. Hold en afstand på minimum 15 m til andre personer eller dyr under arbejdet.

yyyywwxxxx

Typeskiltet viser serienummeret. **yyyy** er produktionsåret, **ww** er produktionsugen.

**Bemærk:** Andre symboler/mærkater på produktet henviser til certificeringskrav på visse markeder.

## Symboler på batteriet og/eller på batteriopladeren



Aflever produktet på en genbrugsstation for elektrisk og elektronisk udstyr. (Gælder kun Europa)



Fejlsikker transformere.



Brug og opbevar kun batteriopladeren indendørs.



Dobbelt isolering.

## Produktansvar

Som nævnt i produktansvarsbestemmelserne hæfter vi ikke for skader forårsaget af vores produkt, hvis:

- produktet er forkeret repareret.
- produktet er repareret med dele, der ikke er fra producenten eller ikke er godkendt af producenten

- produktet har tilbehør, der ikke er fra producenten eller ikke er godkendt af producenten.
- produktet ikke er repareret på et godkendt servicecenter eller af en godkendt myndighed.

---

## Sikkerhed

---

### Sikkerhedsdefinitioner

Advarsler, forholdsregler og bemærkninger bruges til at pege på særligt vigtige dele af brugsanvisningen.



**ADVARSEL:** Bruges, hvis føreren udsætter sig selv eller omkringstående personer for risiko for personskade eller dødsfald ved tilsidesættelse af instruktionerne i brugsanvisningen.



**BEMÆRK:** Bruges, hvis der er risiko for skader på produktet, andre materialer eller det omgivende område ved tilsidesættelse af instruktionerne i brugsanvisningen.

**Bemærk:** Bruges til at give yderligere oplysninger, der er nødvendige i en given situation.

### Generelle sikkerhedsadvarsler om elektrisk værktøj



**ADVARSEL:** Læs alle sikkerhedsadvarsler og instruktioner. Hvis man ignorerer advarsler og anvisninger, kan det medføre elektrisk stød, brand og/eller alvorlig tilskadekomst.

**Bemærk:** Opbevar alle advarsler og instruktioner til senere brug. Betegnelsen "elværktøj" i advarslerne henviser til dit værktøj, som drives af strøm fra elektricitetsnettet (med ledning) eller fra batteri (ledningsfrit).

### Sikkerhed i arbejdsområdet

- **Hold arbejdsområdet rent og godt oplyst.** Rodede eller mørke områder er en invitation til ulykker.
- **Bejtn ikke elværktøj i områder med eksplosionsfare som f.eks. i nærheden af brændbare væsker, luftarter eller støv.** Elværktøj danner gnister, som kan antænde støv eller dampe.
- **Hold børn og tilskuere borte, mens elværktøjet betjenes.** Distraction kan få dig til at miste styringen.

### Elektrisk sikkerhed

- **Stikket på elværktøjet skal passe til stikkontakten. Man må aldrig ændre på stikket. Benyt ikke adapterstik i forbindelse med jordet elværktøj.** Ændrede stik og passende stikkontakter reducerer risikoen for elektrisk stød.
- **Undgå kropskontakt med jodede genstande som f.eks. rør, radiatorer, komfurer og køleskabe.** Der er øget risiko for elektrisk stød, hvis din krop har forbindelse til jord.
- **Udsæt ikke elværktøj for regn eller våde omgivelser.** Vand, som trænger ind i et elværktøj, forøger risikoen for elektrisk stød.
- **Behandl kablet forsigtigt. Benyt aldrig kablet til at bære eller trække i elværktøjet eller til at trække stikket ud. Hold ledningen væk fra varme, olie, skarpe kanter eller bevægelige dele.** Beskadigede eller filtrede kabler forøger risikoen for elektrisk stød.
- **Når man anvender et elværktøj udendørs, skal man bruge en forlængerledning, der er egnet til udendørs brug.** Brug af en ledning, der er egnet til udendørs brug, reducerer risikoen for elektrisk stød.
- **Hvis ikke man kan undgå at anvende et elværktøj på fugtige steder, skal man anvende et stik, der er beskyttet af en fejlstrømsafbryder.** Brug af et kabel med fejlstrømsafbryder nedsætter risikoen for elektrisk stød.

### Personlig sikkerhed

- **Vær altid opmærksom, hold øje med, hvad du foretager dig, og benyt sund fornuft, når du betjener elværktøj. Benyt ikke elværktøj, hvis du er træt eller er påvirket af narkotika, alkohol eller medicin.** Et øjeblikks uopmærksomhed under betjening af elværktøj kan resultere i alvorlig personskade.
- **Bær personligt beskyttelsesudstyr. Brug altid beskyttelsesbriller.** Beskyttelsesudstyr som støvmaske, skridsikre sikkerhedssko, beskyttelseshjelm eller høreværn, som benyttes til de relevante formål vil nedsætte risikoen for personskade.
- **Sørg for at forhindre uønsket start af værktøjet. Sørg for, at kontakten er i frakoblet position, før du tilslutter produktet til strømkilden og/eller batterienheden, samt når du tager eller bærer produktet.** At bære elværktøj med fingeren på kontakten eller at sætte strøm til elværktøj med tændt kontakt er en invitation til ulykker.

- **Fjern alle indstillingsnøgler eller tænger, før elværktøjet tændes.** En tang eller nøgle, der efterlades på en roterende del af elværktøjet, kan forårsage personskade.
- **Stræk dig ikke for langt. Sørg for altid at have godt fodfæste og god balance.** Det sikrer bedre kontrol med elværktøjet i uventede situationer.
- **Bær det korrekte tøj. Undgå at bære løstsiddende tøj eller smykker. Hold hår og tøj væk fra bevægelige dele.** Løst tøj, smykker eller langt hår kan blive fanget af bevægelige dele.
- **Hvis der forefindes udstyr til støvudsugning og -opsamling, skal du sikre, at det er tilsluttet, og at det bruges korrekt.** Brug af støvsopsamling kan nedbringe støvrelaterede farer.
- **Lad ikke erfaringen fra tidligere brug af værktøjer gøre dig eftergivende, så du ignorerer sikkerhedsprincipperne for værktøj.** En uforsigtig handling kan give alvorlige skader på en brøkdæl af et sekund.
- **Vibrationerne under brug af elværktøjet kan være anderledes end den angivne samlede vibrationsværdi, afhængigt af den måde værktøjet anvendes på.** Operatøren bør identificere sikkerhedsforanstaltninger, der er baseret på en vurdering af vibrationerne under de faktiske brugsforhold (der tager hensyn til alle dele af driftscyklussen, som f.eks. når værktøjet er slukket, og når det kører i tomgang), for at beskytte sig selv.

## Brug og pleje af elværktøj

- **Brug ikke magt ved brug af elværktøjet. Brug det korrekte elværktøj til din opgave.** Det korrekte elværktøj udfører arbejdet bedre og mere sikkert end den norm, som det er konstrueret til.
- **Benyt ikke elværktøjet, hvis kontakten ikke kan slå til og fra.** Ethvert stykke elværktøj, som ikke kan styres med kontakten, er farligt og skal repareres.
- **Tag stikken ud af stikkontakten og/eller fjern batterienheden fra elværktøjet, før du foretager indstillinger, skifter tilbehør eller opbevarer elværktøjet.** Denne form for forebyggende sikkerhedsforanstaltninger nedsætter risikoen for, at elværktøjet startes ved et uheld.
- **Opbevar elværktøj der ikke er i brug uden for børns rækkevidde og lad ikke personer, der ikke er bekendt med elværktøjet eller disse instruktioner, betjene elværktøjet.** Elværktøj er farligt i hænderne på utrænede brugere.
- **Vedligehold elværktøjet. Kontroller, om bevægende dele sidder forkert eller binder, om dele er ødelagt og enhver anden tilstand, som kan påvirke elværktøjets funktion. Hvis elværktøjet er beskadiget, skal det repareres, før det bruges igen.** Mange ulykker skyldes dårligt vedligehold af elværktøj.
- **Hold skærepredskærper skarpe og rene.** Korrekt vedligeholdte skærepredskærper med skarpe klinger er mindre tilbøjelige til at binde og er lettere at styre.
- **Benyt elværktøj, tilbehør, værktøjsbits osv. i overensstemmelse med disse instruktioner og tag**

**højde for arbejdsforholdene og det arbejde, der skal udføres.** Hvis man bruger det eldrevne produkt til andre formål end de tiltænkte, kan det medføre farlige situationer.

- **Hold håndtag og gribeblader tørre, rene og frie for olie og fedt.** Glatte håndtag og gribeblader muliggør ikke sikker håndtering og kontrol af værktøjet i uventede situationer.

## Brug og pleje af batteriredskaber

- **Genoplad kun med den oplader, som producenten foreskriver.** En oplader, der egner sig til en bestemt type batteripakke, kan medføre risiko for brand, hvis den benyttes sammen med en anden batteripakke.
- **Brug kun elværktøj sammen med de batterienheder, der er beregnet specifikt til dem.** Brug af andre batterienheder medfører risiko for skader og brand.
- **Når batterienheden ikke anvendes, skal du holde den væk fra andre metalgenstande, såsom papir, clips, mønter, nøgler, søm, skruer eller andre små metalgenstande, der kan kortslutte polerne.** Kortslutning af batteripolerne kan forårsage forbrændinger eller brand.
- **Under ugunstige forhold kan der sprøjte væske ud fra batteriet, undgå kontakt. Hvis væsken alligevel berøres, skal der skylles med vand. Hvis du får væske i øjnene, skal du søge læge.** Væske, der trænger ud af batteriet, kan forårsage irritation og ætsningssskader.
- **Brug ikke en batteripakke eller et værktøj, som er beskadiget eller modificeret.** Beskadigede eller modificerede batterier kan opføre sig uforudsigeligt og medføre brand, eksplosion eller risiko for personskade.
- **Udsæt ikke en batteripakke eller et værktøj for brand eller høje temperaturer.** Udsættelse for brand eller temperatur over 130 °C / 265 °F kan forårsage eksplosion.
- **Følg alle opladningsanvisninger, og oplad ikke batteripakken eller værktøjet uden for det temperaturområde, der er angivet i instruktionerne.** Forkert opladning eller opladning ved temperaturer uden for det specificerede område kan beskadige batteriet og øge risikoen for brand.

## Service

- **Få en kvalificeret reparatør til at foretage service på dit eldrevne produkt, og brug kun originale reservedele.** Det vil sikre, at elværktøjets sikkerhed bliver bibeholdt.
- **Der må aldrig udføres service på beskadigede batteripakker.** Service på batteripakker bør kun udføres af producenten eller autoriserede serviceudbydere.

## Sikkerhedsinstruktioner for hækkeklipper

- **Hold alle dele af kroppen på afstand af klingerne. Fjern ikke afskåret materiale, og hold ikke materiale, der skal beskæres, mens klingerne er i bevægelse.** Klingerne fortsætter med at bevæge sig, efter at

maskinen er slukket. Et øjeblikks uopmærksomhed under betjening af hækkeklipperen kan resultere i alvorlig personskade.

- **Bær hækkeklipperen i hånden med klingens standset, og pas på ikke at trykke på en kontakt.** Bæres hækkeklipperen korrekt, reduceres risikoen for utilsigtet start og deraf følgende personskade forårsaget af klingerne.
- **Når hækkeklipperen transporteres eller opbevares, skal klingebeskyttelsen altid være sat på.** Korrekt håndtering af hækkeklipperen vil reducere risikoen for personskade forårsaget af klingerne.
- **Når du fjerner fastsiddende materiale eller vedligeholder enheden, skal du sørge for, at alle kontakter er slået fra, og at netledningen er frakoblet.** Uventet aktivering af hækkeklipperen, mens der fjernes fastsiddende materiale eller udføres vedligeholdelse, kan resultere i alvorlig personskade.
- **Hold kun hækketrimmeren i de isolerede grebsoverflader, da skæreklingerne kan komme i kontakt med skjulte ledninger eller produktets egen ledning.** Hvis klinger kommer i kontakt med en strømførende ledning, kan det medføre, at produktets fritliggende metaldele også bliver strømførende, og at brugeren får elektrisk stød.
- **Hold alle ledninger og kabler væk fra klippeområdet.** Ledninger og kabler kan være skjult i hække eller buske og kan ved et uheld blive skåret over af klingerne.
- **Brug ikke hækkeklipperen med forlænget rækkevidde i dårligt vejr, specielt hvis der er risiko for lynnedslag.** Dette mindsker risikoen for at blive ramt af lynnedslag.
- **Brug aldrig hækkeklipperen med forlænget rækkevidde i nærheden af elektriske højspændingsledninger for at undgå livsfarlige stød.** Kontakt med eller brug i nærheden af højspændingsledninger kan forårsage alvorlig personskade eller elektrisk stød med døden som følge.
- **Brug altid to hænder til at betjene hækkeklipperen med forlænget rækkevidde.** Hold hækkeklipperen med forlænget rækkevidde med begge hænder for at undgå at miste kontrollen.
- **Brug altid sikkerhedshjelm, når du bruger hækkeklipperen med forlænget rækkevidde over hovedet.** Faldende grene og stykker kan resultere i alvorlig personskade.

## Generelle sikkerhedsinstruktioner



**ADVARSEL:** Læs følgende advarselsinstruktioner, inden du bruger produktet.

- Batteriet skal altid udtages for at forhindre, at produktet starter utilsigtet.
- Dette produkt er et farligt værktøj, hvis du ikke er forsigtig, eller hvis du bruger produktet forkert. Dette

produkt kan forårsage alvorlig personskade eller død for brugeren eller andre.

- Brug ikke produktet, hvis det er blevet ændret fra den oprindelige specifikation. Du må ikke ændre dele af produktet uden producentens godkendelse. Brug kun reservedele, der er godkendt af producenten. Forkert vedligeholdelse kan medføre personskader eller dødsfald.
- Kontrollér produktet inden brug. Se *Sikkerhedsanordninger på produktet på side 25 og Vedligeholdelse på side 30*. Brug ikke et defekt produkt. Gennemfør sikkerhedskontrol, vedligeholdelse og service som beskrevet i denne brugsanvisning.
- Børn skal være under opsyn for at sikre, at de ikke leger med produktet. Lad ikke børn eller personer, som ikke er trænet i brugen af produktet og/eller batteriet, bruge eller udføre service på den/det. Lokal lovgivning kan stille krav til brugerens alder.
- Opbevar produktet i et aflåst område utilgængeligt for børn eller personer, som ikke er godkendt.
- Opbevar produktet utilgængeligt for børn.
- Produktets oprindelige udformning må under ingen omstændigheder ændres uden producentens samtykke. Brug altid originalt tilbehør. Ikke-autoriserede ændringer og/eller ikke-godkendt tilbehør kan medføre alvorlige skader eller døden for brugeren og andre personer.

---

**Bemærk:** Nationale eller lokale love kan regulere brugen. Overhold de gældende bestemmelser.

---

## Sikkerhedsinstruktioner for betjening



**ADVARSEL:** Læs følgende advarselsinstruktioner, inden du bruger produktet.

- Når du kommer ud for en situation, som gør dig usikker med hensyn til fortsat brug, skal du spørge en ekspert til råds. Henvend dig til din forhandler eller dit serviceværksted. Undgå al brug, som du ikke synes, du er tilstrækkeligt kvalificeret for.
- Brug aldrig produktet, hvis du er træt, hvis du har drukket alkohol, eller hvis du tager medicin, som påvirke dit syn, din årvågenhed, din kropskontrol eller din dømmekraft.
- Arbejde i dårligt vejr er trættende og øger ofte risici for skader. På grund af den øgede risiko anbefales det ikke at bruge maskinen i meget dårligt vejr, f.eks. tæt tåge, kraftig regn, hård vind, kraftig kulde, risiko for lynnedslag.
- Defekt skæreudstyr kan øge risikoen for ulykker.
- Tillad aldrig børn at anvende eller være i nærheden af produktet. Da produktet er nemt at starte, kan børn muligvis starte maskinen, hvis de ikke holdes under opsyn. Dette kan indebære risiko for alvorlige personskader. Tag batteriet ud, når produktet ikke er under opsyn.

- Sørg for, at ingen mennesker eller dyr kommer nærmere end 15 meter under arbejdet. Hvis flere brugere arbejder i det samme område, skal sikkerhedsafstanden være mindst 15 meter. Dette kan indebære risiko for alvorlige personskader. Stands øjeblikkeligt produktet, hvis nogen nærmer sig. Sving aldrig rundt med produktet uden først at kontrollere bagud, at der ikke befinder sig nogen i sikkerhedszonen.
- Sørg for, at hverken mennesker, dyr eller andet kan ikke påvirke din kontrol af produktet eller, at de ikke kan komme i kontakt med skæreudstyret eller løse genstande, som slynges væk af skæreudstyret. Brug aldrig produktet uden mulighed for at kunne tilkalde hjælp i tilfælde af en ulykke.
- Kontrollér altid arbejdsområdet. Fjern alle løse genstande som for eksempel sten, knust glas, søm, ståltråd, snor og lignende, som kan slynges ud eller sno sig ind i skæreudstyret.
- Sørg for, at du kan bevæge dig og stå sikkert. Kig efter eventuelle forhindringer ved en uventet retrætte (rødder, sten, grene, huller, grøfter osv.). Vær meget forsigtig ved arbejde i skrånende terræn.
- Sørg altid for at have god balance og sikkert fodfæste. Stræk dig ikke for langt.
- Sluk produktet, før du bevæger dig til et andet område. Fastgør transportbeskyttelsen, når produktet ikke er i brug.
- Adskil aldrig produktet, medmindre du har deaktiveret det. Lad ikke apparatet være uden opsyn, når det er tændt.
- Tag batteriet ud, før du overdrager produktet til en anden person.
- Sørg for, at tøj eller kropsdele ikke kan komme i kontakt med skæreudstyret, mens produktet er aktiveret.
- Skulle et eller andet sætte sig fast i skæreudstyret under betjening af produktet, skal du stoppe og deaktivere produktet. Sørg for, at skæreudstyret standser helt. Tag batteriet ud før rengøring, eftersyn eller reparation af produktet og/eller skæreudstyret.
- Når produktet slukkes, skal du sørge for at holde hænder og fødder væk fra skæreudstyret, indtil det er standset helt.
- Pas på grenstumper, som kan slynges væk, når du skærer. Skær ikke for nær ved jorden, hvor sten eller andre løse genstande kan blive slynget op.
- Pas på udslungede genstande. Godkendt øjenværn skal altid anvendes. Læn dig aldrig ind over skæreudstyrets beskyttelse. Sten, skidt m.m. kan blive slynget op i øjnene og forårsage blindhed eller alvorlige skader.
- Vær altid opmærksom på advarselssignaler eller tilråb, når høreværnet bruges. Tag altid høreværnet af, så snart produktet er standset.
- Arbejd aldrig på en stige, stol, palle eller fra et andet højt sted, som ikke er helt stabilt.
- Denne maskine skaber et elektromagnetisk felt under brug. Dette felt kan i nogle tilfælde påvirke

aktive eller passive medicinske implantater. For at reducere risikoen for alvorlige eller dødbringende skader anbefaler vi, at personer med medicinske implantater kontakter deres læge og producenten af det medicinske implantat, før de tager maskinen i brug.

- Hold altid fast om produktet med begge hænder. Hold produktet på højre side af kroppen.
- Stands produktet, fjern batteriet, og sørg for, at skæreudstyret ikke roterer, inden du fjerner materiale, som har viklet sig om knivakslen eller som er fanget mellem skærmen og skæreudstyret.
- Det elektromagnetiske felt under drift kan påvirke aktive eller passive medicinske implantater. Personer med medicinske implantater bør tale med en læge og producenten af de medicinske implantater før brugen af dette produkt.
- Hold vægten af produktet med selen for at gøre det nemt at betjene.
- Langvarig eksponering for støj kan medføre permanente høreskader. Husqvarna anbefaler, at operatørerne anvender godkendt høreværn.
- Brug aldrig et produkt, der er blevet ændret, så det ikke længere svarer til originalmodellen.
- Brug aldrig et produkt, som er behæftet med fejl. Følg instruktionerne for sikkerhedskontrol, vedligeholdelse og service i denne brugsanvisning. Visse vedligeholdelses- og serviceforanstaltninger må kun udføres af erfarne og kvalificerede specialister. Se anvisningerne under overskriften Vedligeholdelse.
- Udfør en generel inspektion af produktet før brug. Se vedligeholdelseskemaet.
- Lad aldrig en anden bruge maskinen, uden at du har sikret dig, at vedkommende har forstået indholdet i brugervejledningen.
- Undersøg arbejdsområdet for fremmedlegemer såsom elkabler og dyr eller genstande, som kan skade skæreudstyret, f. eks. metalgenstande.
- Beskadigede knive kan øge risikoen for ulykker.

## Personligt beskyttelsesudstyr

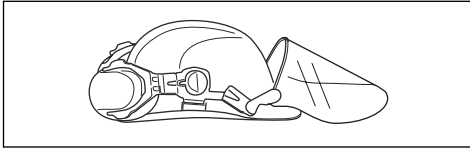


**ADVARSEL:** Læs følgende advarselsinstruktioner, inden du bruger produktet.

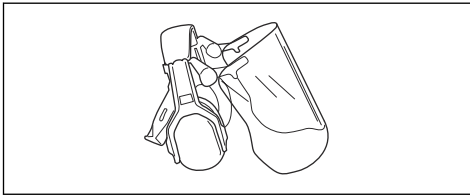
- Brug godkendt personligt beskyttelsesudstyr, når du bruger produktet. Personligt beskyttelsesudstyr udelukker ikke fuldstændigt risikoen for personskader, men det mindsker graden af skaderne i tilfælde af, at der skulle ske en ulykke. Lad forhandleren hjælpe dig med at vælge det rigtige udstyr.



- Brug en sikkerhedshjelm, hvor der er risiko for nedfaldende genstande.

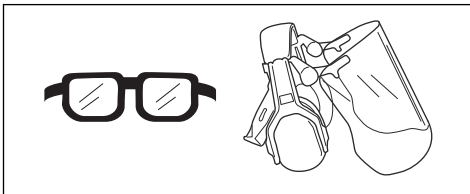


- Langvarig eksponering for støj kan medføre høreskader. Batteridrevne produkter er generelt relativt støjsvage, men der kan opstå skader som følge af en kombination af støjniveau og lang tids anvendelse. Husqvarna anbefaler, at operatører anvender høreværn ved brug af produkter i længere, sammenhængende tid om dagen. Brugere, der anvender produkterne kontinuerligt og jævnligt, bør regelmæssigt få hørelsen kontrolleret.

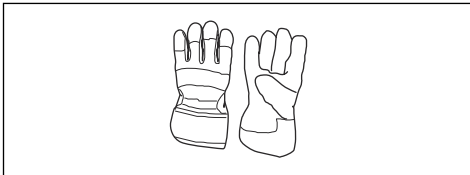


**ADVARSEL:** Høreværn begrænser evnen til at høre lyde og advarselssignaler.

- Brug godkendt øjenværn. Hvis du bruger et ansigtsskjerm, skal du også bruge godkendte beskyttelsesbriller. Godkendte beskyttelsesbriller skal overholde den amerikanske standard ANSI Z87.1 eller EU-standarden EN 166.



- Brug om nødvendigt beskyttelseshandsker, f.eks. ved montering, eftersyn og rengøring af skæredestyret.



- Brug beklædning, der er lavet af et stærkt materiale. Brug altid kraftige lange bukser og lange ærmer. Brug ikke løstsiddende tøj, som kan sætte sig fast i buske og grene. Undgå smykker, shorts og sandaler,

og gå ikke barfodet. Sæt håret op i en sikker højde, dvs. over skulderen.

- Sørg for at have førstehjælpsudstyr ved hånden.



## Sikkerhedsanordninger på produktet



**ADVARSEL:** Læs følgende advarelsinstruktioner, inden du bruger produktet.

I dette afsnit forklares mere om produktets sikkerhedsfunktioner og deres formål, samt hvordan kontrol og vedligeholdelse skal udføres for at sikre, at de fungerer. Se anvisningerne i afsnittet *Produktoversigt på side 19* for at se, hvor disse dele sidder på produktet.

Produktets levetid kan forkortes og risikoen for ulykker kan øges, hvis vedligeholdelsen ikke udføres korrekt, og hvis service og/eller reparation ikke udføres fagligt korrekt. Kontakt det nærmeste serviceværksted for at få yderligere oplysninger.



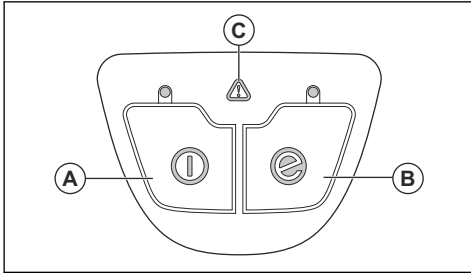
**ADVARSEL:** Brug aldrig et produkt med defekt sikkerhedsudstyr. Produktets sikkerhedsudstyr skal kontrolleres og vedligeholdes som beskrevet i dette afsnit. Klarer produktet ikke alle kontrollerne, skal du kontakte et serviceværksted for at få den repareret.



**BEMÆRK:** Al service og reparation af maskinen kræver specialuddannelse. Dette gælder især produktets sikkerhedsudstyr. Hvis maskinen ikke klarer nogen af de nedennævnte kontroller, skal du kontakte dit serviceværksted. Ved at købe nogle af vores produkter kan du være sikker på at få en faglig korrekt reparation og service. Hvis maskinen er købt et sted, som ikke er en af vores serviceydende forhandlere, skal du spørge dem efter det nærmeste serviceværksted.

## Sådan kontrolleres tastaturet

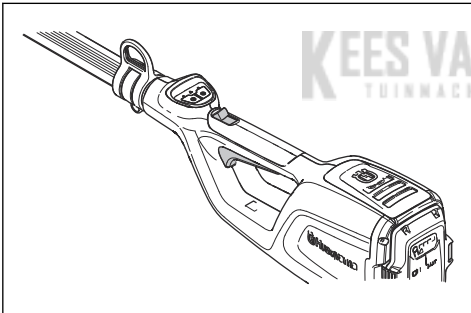
1. Tryk og hold nede på start/stop-knappen (A).



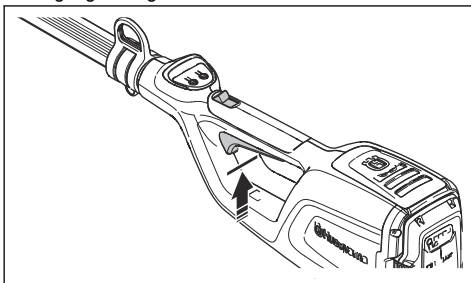
- a) Produktet er tændt, når lysdioden er tændt.
  - b) Produktet er slukket, når lysdioden er slukket.
2. Se *Sådan startes SavE-funktionen på side 30* for SavE-knappens (B) funktion.
  3. Se *Fejlfinding på side 32*, hvis advarselsindikatoren (C) er tændt eller blinker.

## Sådan kontrolleres låsen på strømudløseren

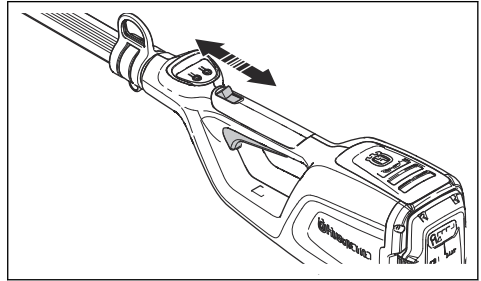
Låsen på strømudløseren forhindrer utilsigtet aktivering. Når grebet om håndtaget slippes, flyttes både strømudløseren og låsen på strømudløseren tilbage i deres udgangsstillinger.



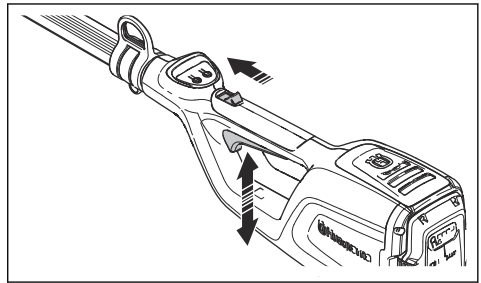
1. Kontrollér, at strømudløseren er låst, når låsen er i udgangsstillingen.



2. Træk og slip låsen, og sørg for, at den går tilbage til udgangspositionen.



3. Kontrollér, at strømudløseren og låsen bevæger sig frit, og at returfejderen fungerer korrekt.



4. Start produktet, se *Sådan startes produktet på side 29*.
5. Kør med fuld hastighed.
6. Slip strømudløseren, og sørg for, at skæreudstyret standser helt.

## Batterisikkerhed



**ADVARSEL:** Læs følgende advarselsinstruktioner, inden du bruger produktet.

- Det anbefalede batteri er BLi10. Se *Tekniske data på side 33*. Batteriet er softwarekrypteret.
- Brug kun BLi10 batteriet, der er genopladeligt, som strømforsyning til de tilhørende Husqvarna produkter. For at undgå personskade må batteriet ikke anvendes som strømforsyning til andre produkter.
- Risiko for elektrisk stød. Tilslut ikke batteripolerne til nøgler, mønter, skruer eller andre metalgenstande. Dette kan medføre en kortslutning af batteriet.
- Undgå at bruge ikke-genopladelige batterier.
- Sæt ikke genstande ind i batteriets luftspalte.
- Hold batteriet væk fra sollys, varme og åben ild. Batteriet kan medføre forbrændinger og/eller kemiske forbrændinger.
- Hold batteriet væk fra regn og våde omgivelser.
- Hold batteriet væk fra mikrobølger og højt tryk.
- Forsøg ikke at skille batteriet ad eller ødelægge det.

- Hvis batteriet lækker, skal du sørge for, at væsken ikke kommer i kontakt med hud eller øjne. Ved berøring af væsken skal området skylles med en stor mængde vand og sæbe, hvorefter der opsøges lægehjælp. Hvis du får væske i øjnene, må du ikke gnide øjnene. Sørg for at skylle dem med rigeligt vand i mindst 15 minutter, og søg derefter lægehjælp.
- Brug batteriet i temperaturer mellem -10 °C (14 °F) og 40 °C (114 °F).
- Batteriet eller batteriopladeren må aldrig rengøres med vand. Se *Sådan rengøres produktet, batteriet og batteriopladeren på side 31*.
- Brug ikke et defekt eller beskadiget batteri.
- Opbevar batterierne væk fra metalgenstande som f.eks. søm, skruer og smykker.
- Opbevar batteriet utilgængeligt for børn.

## Batteriopladersikkerhed



**ADVARSEL:** Læs følgende advarselsinstruktioner, inden du bruger produktet.

- Risiko for elektrisk stød eller kortslutning, hvis sikkerhedsinstruktionerne ikke overholdes.
- Brug ikke andre batteriopladere end den, der blev leveret med dit produkt. Den anbefalede oplader er QC80, når du oplader BLi10-batteriet.
- Forsøg aldrig at adskille batteriopladeren.
- Brug ikke defekte eller beskadigede batteriopladere.
- Løft aldrig batteriopladeren ved hjælp af ledningen. Træk stikket ud for at afbryde batteriopladeren fra stikkontakten. Træk ikke i strømkablet.
- Hold alle kabler og forlængerledninger væk fra vand, olie og skarpe kanter. Sørg for, at ledningen ikke bliver klemt i eksempelvis døre, hegn eller lignende.
- Brug ikke batteriopladeren i nærheden af brandfarlige materialer eller materialer, der kan medføre korrosion. Sørg for, at batteriopladeren ikke er dækket. I tilfælde af røgafgivelse eller brand skal batteriopladeren afbrydes fra stikkontakten.
- Oplad kun batteriet indendørs på et sted med god ventilation og beskyttet mod direkte sollys. Batteriet må ikke oplades udendørs. Oplad ikke batteriet under våde forhold.
- Brug kun batteriopladeren ved temperaturer mellem 5 °C (41 °F) og 40 °C (104 °F). Brug

batteriopladeren på et sted med god ventilation, hvor den ikke udsættes for fugt eller støv.

- Sæt ikke genstande ind i batteriopladerens luftspalter.
- Forbind aldrig batteriopladerens poler med metalgenstande, da dette kan kortslutte batteriopladeren.
- Brug godkendte stikkontakter, som ikke er beskadiget. Sørg for, at batteriopladerens ledning ikke er beskadiget. Hvis der bruges forlængerledninger, skal det sikres, at forlængerledningerne ikke er beskadiget.

## Sikkerhedsinstruktioner for vedligeholdelse



**ADVARSEL:** Læs følgende advarselsinstruktioner, inden du udfører vedligeholdelse på produktet.

- Fjern batteriet, inden du udfører vedligeholdelse, anden kontrol eller samler produktet.
- Brugeren må kun udføre den form for vedligeholdelses- og servicearbejde, der beskrives i denne brugervejledning. Kontakt en servicetekniker i forbindelse med større vedligeholdelses- og serviceopgaver.
- Batteriet eller batteriopladeren må aldrig rengøres med vand. Stærke opløsningsmidler kan beskadige plasten.
- Hvis du ikke udfører vedligeholdelse, reduceres levetiden for produktet og risikoen for ulykker øges.
- Der kræves særlig uddannelse til al service og reparation, især for sikkerhedsanordninger på produktet. Hvis ikke alle kontroller i denne brugsanvisning er godkendt, efter du har udført vedligeholdelse, skal du kontakte din servicetekniker. Vi garanterer, at der er professionelle reparationer og vedligeholdelse til rådighed for dit produkt.
- Hold klingens skæretænder i god stand og med korrekt skærping. Følg vore anbefalinger. Se også instruktionerne på klingeemballagen.
- Brug altid kun originale reservedele.
- Anvend altid kraftige handsker ved reparation af skæreudstyret. Klingerne er meget skarpe og kan forårsage skader.

## Montering

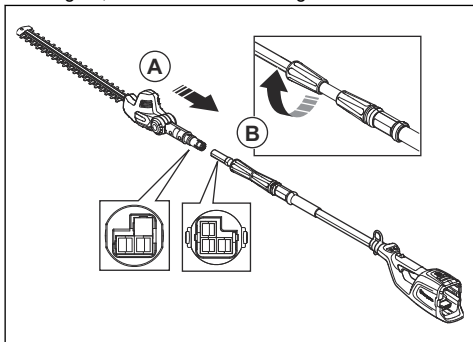
### Indledning



**ADVARSEL:** Læs og forstå kapitlet om sikkerhed, før du monterer produktet.

## Sådan monteres akslen

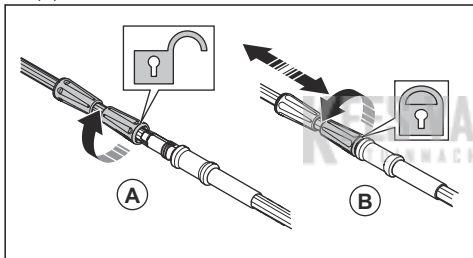
1. Sørg for, at de elektriske stik flugter.



2. Tilslut enderne af akslen (A) helt.
3. Spænd skruehåndtaget på hækkeklipperhovsiden af akslen (B).

## Sådan justeres længden af akslen

1. Løsn skruehåndtaget på batterirumsiden af akslen (A).

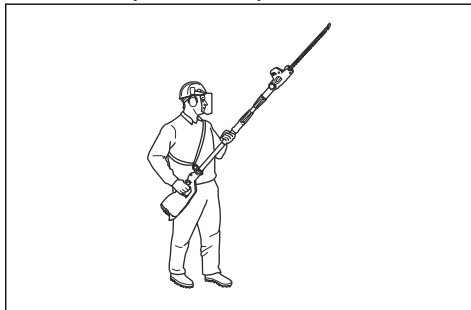


2. Juster akslen til en passende længde.
3. Spænd skruehåndtaget (B).

## Sådan justeres selen

Anvend altid selen ved betjening af produktet. Selen giver maksimal kontrol under brug af produktet. Selen reducerer risikoen for træthed i arme og ryg.

1. Tag selen på.
2. Sæt produktet fast i selens ophængskrog.
3. Justér selens længde, indtil ophængskrogen er omtrent i højde med din højre hofte.



## Drift

### Indledning



**ADVARSEL:** Læs og forstå kapitlet om sikkerhed, før du bruger produktet.

### Det skal du gøre, inden du starter produktet

1. Undersøg arbejdsområdet. Fjern genstande, der kan slynges op.
2. Efterse skæreenheden. Sørg for, at klingerne er skarpe og er fri for revner og skader.
3. Sørg for, at produktet fungerer korrekt. Kontrollér, at alle møtrikker og bolte er spændt.

4. Sørg for, at håndtaget og sikkerhedsanordningerne ikke er beskadigede og er monteret korrekt. Betjen ikke et produkt med manglende dele eller et produkt, der er ændret fra sin oprindelige specifikation. Brug beskyttelseshandsker, når det er nødvendigt.
5. Sørg for, at dækslerne ikke er beskadigede og er monteret korrekt, før du betjener produktet.

### Sådan tilsluttes batteriopladeren

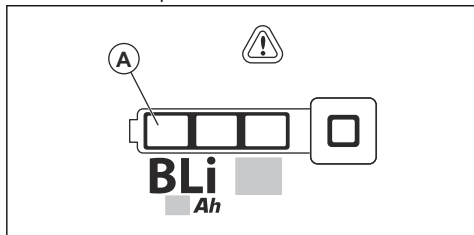
1. Slut batteriopladeren til en strømkilde med den spænding og frekvens, der fremgår af typeskiltet.
2. Sæt stikket i en jordet stikkontakt. LED'en på batteriopladeren blinker grønt én gang.

**Bemærk:** Batteriet oplades ikke, hvis batteriets temperatur er over 50 °C/122 °F. Hvis temperaturen er over 50 °C/122 °F, vil batteriopladeren køle batteriet ned, før opladningen starter.

## Sådan tilsluttes batteriet til batteriopladeren

**Bemærk:** Oplad batteriet, hvis det er første gang, du bruger det. Et nyt batteri er kun 30 % opladet.

1. Kontrollér, at batteriet er tørt.
2. Tilslutning af batteriet til batteriopladeren.
3. Kontrollér, at den grønne opladeindikator på batteriopladeren lyser. Det betyder, at batteriet er korrekt forbundet med batteriopladeren.
4. Når alle LED'erne (A) på batteriet tændes, er batteriet fuldt opladet.



5. Træk stikket ud for at afbryde batteriopladeren fra stikkontakten. Træk ikke i ledningen.
6. Fjern batteriet fra batteriopladeren.

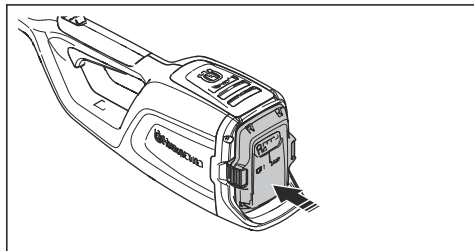
**Bemærk:** Der henvises til manualerne til batteriet og batteriopladeren for mere information.

## Sådan tilsluttes batteriet til produktet



**ADVARSEL:** Brug kun originale Husqvarna batterier i produktet.

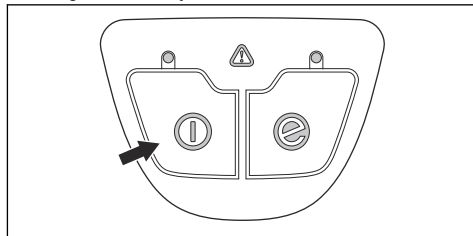
1. Kontrollér, at batteriet er fuldt opladt.
2. Sæt batteriet ind i batteriholderen på produktet. Batteriet skal glide let ind i batterirummet. Gør det ikke det, er det ikke monteret korrekt.



3. Tryk på den nederste del af batteriet, og skub det helt ind i batterirummet. Batteriet låses på plads, når du hører et klik.
4. Sørg for, at låsene klikker korrekt på plads.

## Sådan startes produktet

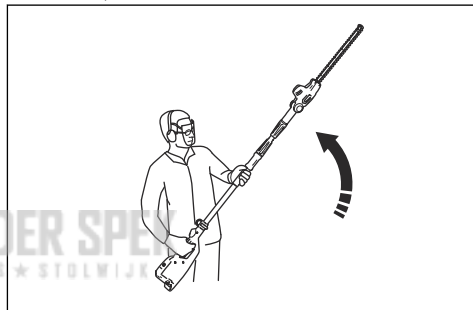
1. Tryk på start/stop-knappen, og hold den nede, indtil det grønne LED-lys tændes.



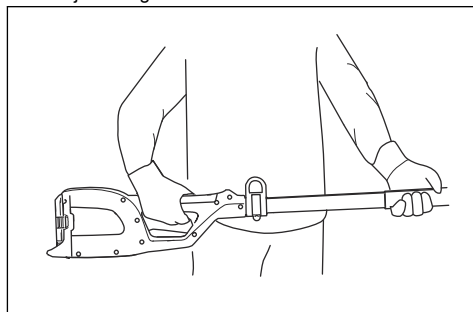
2. Træk låsen på strømudløseren bagud, og hold på strømudløseren.

## Betjening af produktet

- Start tæt ved jorden, og bevæg produktet op langs hækken, når du beskærer siderne.



- Hold produktet tæt på kroppen for at opnå en stabil arbejdsstilling.

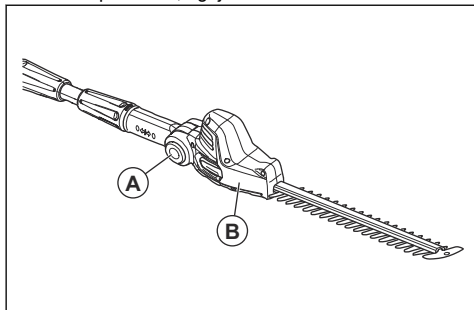


- Sørg for, at spidsen af skæreudstyret ikke berører jorden.
- Vær forsigtig, og arbejd langsomt, indtil alle grenene er beskåret korrekt.

## Sådan justeres vinklen på skæreudstyret

Skæreudstyret kan justeres i 7 forskellige positioner.

1. Stands produktet, og fjern batteriet.

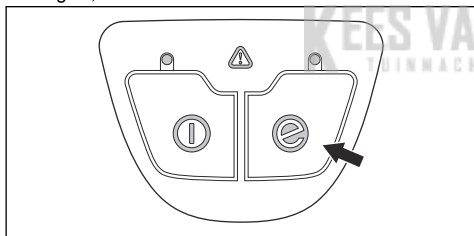


2. Hold huset (B) stramt.
3. Tryk på låseknapperne (A) på husets 2 sider, og hold dem nede (B).
4. Flyt skæreudstyret til den korrekte vinkel.
5. Slip låseknapperne (A) i de 2 sider.
6. Flyt huset (B) op og ned, indtil skæreudstyret låses på plads.

### Sådan startes SavE-funktionen

Dette produkt har en SavE-funktion. SavE-funktionen giver den længste driftstid fra batteriet.

1. Tryk på knappen SavE. Lysdioden tændes for at angive, at funktionen er aktiv.



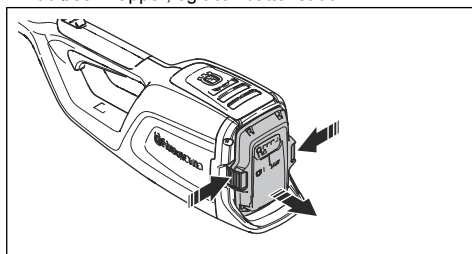
2. Tryk på SavE-knappen igen for at standse SavE-funktionen.

### Automatisk slukkefunktion

Dette produkt har en automatisk nedlukningsmetode, der standser produktet, hvis det ikke anvendes. Den grønne LED til start/stop slukker, og produktet stopper efter 60 sekunder.

### Sådan standses produktet

1. Slip strømdløseren.
2. Tryk på start/stop-knappen, og hold den nede, indtil de grønne lysdioder slukkes.
3. Fjern batteriet fra produktet. Tryk på de 2 udløserknapper, og træk batteriet ud.



## Vedligeholdelse

### Indledning



**ADVARSEL:** Læs og forstå sikkerhedskapitlet, før du udfører vedligeholdelsesarbejde på produktet.



**ADVARSEL:** Tag batteriet ud, før der foretages vedligeholdelse af produktet.

### Vedligeholdelsesskema

Nedenfor vises en oversigt over det vedligeholdelsesarbejde, der skal udføres på produktet.

Vedligeholdelse	Før hver anvendelse	Ugentligt	Månedligt
Rengør de udvendige dele af produktet.	X		

Vedligeholdelse	Før hver anvendelse	Ugentligt	Månedligt
Kontrollér, at start/stop-kontakten fungerer korrekt og ikke er beskadiget.	X		
Kontrollér, at strømudløseren og strømudløserlåsen fungerer i sikkerhedsmæssig henseende.	X		
Sørg for, at alle kontrolenheder fungerer og ikke er beskadiget.	X		
Sørg for, at skæreklingen og klingebeskyttelsen ikke har nogen revner, og at de ikke er beskadigede. Udskift skæreklingen eller klingebeskyttelsen, hvis de har revner, eller hvis de har været udsat for slag.	X		
Udskift klingens, hvis den er bøjet eller beskadiget.	X		
Sørg for, at skruer og møtrikker er spændt.	X		
Sørg for, at batteriet ikke er beskadiget.	X		
Sørg for, at batteriet er opladt.	X		
Sørg for, at batteriopladeren ikke er beskadiget.	X		
Sørg for, at de bolte, som holder skæreklingerne, er fastspændt korrekt.		X	
Kontrollér forbindelserne mellem batteriet og produktet. Kontrollér forbindelserne mellem batteriet og batteriopladeren.			X

## Sådan undersøges batteriet og batteriopladeren

1. Undersøg batteriet for skader, f.eks. revner.
2. Undersøg batteriopladeren for skader, f.eks. revner.
3. Undersøg regelmæssigt, at forbindelsesledningen til batteriopladeren er intakt, og at der ikke er revner i den.

## Sådan rengøres produktet, batteriet og batteriopladeren

1. Rengør produktet med en tør klud efter brug.
2. Rengør batteriet og batteriopladeren med en tør klud. Hold batteristyreposerne rene.
3. Sørg for, at polerne på batteriet og batteriopladeren er rene, før batteriet sættes i batteriopladeren eller produktet.

## Sådan efterses klingerne

1. Rengør skæreklingerne for uønskede materialer med et antikorrosionsrengøringsmiddel før og efter betjening af produktet.
2. Undersøg skæreklingernes ægge for skader og defekter.
3. Brug en fil til at fjerne ujævnheder på skæreklingerne.

4. Sørg for, at skæreklingerne bevæger sig frit.

## Sådan rengøres og smøres klingerne

1. Rengør knivene for uønskede materialer før og efter brug af produktet.
2. Smør klingerne før længere tids opbevaring.

**Bemærk:** Spørg serviceforhandleren for at få yderligere oplysninger om anbefalede rengøringsmidler og smøremidler.

## Sådan smøres gearet

Smør fedt på gearhuset, hvis gearet er blevet adskilt af en autoriseret serviceforhandler.

- Brug Husqvarna specialfedt. Spørg serviceforhandleren for at få yderligere oplysninger om det anbefalede fedt.
- Brug kun en lille mængde fedt af en særlig høj kvalitet.



**BEMÆRK:** Fyld ikke gearhuset helt op.

---

## Fejlfinding

---

### Tastatur

Kontrollampeskærm	Mulige fejl	Mulige løsninger
Fejl-LED'en blinker.	Overbelastning	Skæreudstyret kan ikke bevæge sig frit. Udløs skæreudstyret.
Produktet starter ikke.	Batteritilslutningerne er snavsede.	Rengør batteritilslutningerne med trykluft eller en blød børste.
Fejl-LED'en lyser rødt.	Det er nødvendigt at foretage service på produktet	Kontakt din serviceforhandler.

### Batteri

LED-display	Mulige fejl	Mulig løsning
Den grønne LED blinker.	Lav batterispænding.	Oplad batteriet.
Fejl-LED'en blinker.	Temperaturoafvigelse.	Brug batteriet i temperaturer mellem -10 °C (14 °F) og 40 °C (104 °F).
	For høj spænding.	Kontrollér, at netspændingen er i overensstemmelse med den værdi, der står på produktets typeskilt.
		Fjern batteriet fra batteriopladeren.
Fejl-LED'en er tændt.	Batteriforskellen er for stor (1 V).	Kontakt din serviceforhandler.

### Batterioplader

Problem	Mulige fejl	Mulig løsning
Den røde fejl-LED blinker.	Temperaturoafvigelse.	Brug batteriopladeren i temperaturer mellem 5 °C (41 °F) og 40 °C (104 °F).
Den røde fejl-LED lyser.	For stor celleforskel (1 V).	Kontakt din serviceforhandler.

---

## Transport, opbevaring og bortskaffelse

---

### Transport og opbevaring

- De medfølgende li-ion-batterier overholder lovkravene vedrørende farligt gods.
- Overhold de særlige krav vedrørende emballage og etiketter til kommerciel transport, herunder tredjeparter og speditører.
- Tal med en person med specialuddannelse i farligt materiale, før du sender produktet. Overhold alle gældende nationale bestemmelser.
- Sæt tape på åbne kontakter, når batteriet lægges i en pakke. Sørg for, at batteriet ikke kan bevæge sig i pakken.
- Fjern altid batteriet ved opbevaring eller transport.



- Sæt batteriet og batteriopladeren i et rum, der er tørt og fri for fugt og frost.
- Batteriet må ikke opbevares på steder, hvor statisk elektricitet kan forekomme. Opbevar ikke batteriet i en metalkasse.
- Opbevar batteriet ved temperaturer på mellem 5 °C/41 °F og 25 °C/77 °F og væk fra direkte sollys.
- Opbevar batteriopladeren ved temperaturer på mellem 5 °C/41 °F og 45 °C/113 °F og væk fra direkte sollys.
- Brug kun batteriopladeren ved en omgivende temperatur på mellem 5 °C/41 °F og 40 °C/104 °F.
- Oplad batteriet 30 % til 50 %, før du sætter det til opbevaring i længere tid.
- Opbevar batteriopladeren i et rum, der er lukket og tørt.
- Hold batteriet væk fra batteriopladeren under opbevaring. Lad ikke børn og andre ikke-autoriserede personer røre ved udstyret. Opbevar udstyret i et rum, der kan aflåses.
- Rengør produktet, og udfør fuld service, før du sætter produktet til opbevaring i længere tid.
- Brug transportskærmen på produktet for at forhindre personskader eller skader på produktet under transport og opbevaring.
- Fastspænd produktet sikkert under transporten.

## Bortskaffelse af batteriet, batteriopladeren og produktet

Symbolerne på produktet eller emballagen angiver, at produktet ikke er almindeligt husholdningsaffald. Aflever det på en genbrugsstation til elektrisk og elektronisk udstyr. Dette hjælper med at forhindre skader på miljøet og på personer.

Kontakt de lokale myndigheder, dit renovationselskab eller din forhandler for at få flere oplysninger om, hvordan du genbruger dit produkt.

## Tekniske data

### Tekniske data

	<b>120iTK4-H</b>
<b>Motor</b>	
Motortype	PMDC 36V
<b>Vægt</b>	
Vægt uden batteri, kg	4,6
Vægt med batteri (standardbatteri BLi10), kg	5,3
<b>Støjemissioner<sup>4</sup></b>	
Lydeffektniveau, målt dB(A)	91,32
Lydeffektniveau, garanteret L <sub>WA</sub> dB(A)	94
<b>Lydniveauer<sup>5</sup></b>	
Lydtryksniveau ved operatørens øre målt i henhold til EN 62841-1 og EN 62841-4-2, dB (A):	81,3
<b>Vibrationsniveauer<sup>6</sup></b>	
Vibrationsniveauer (a <sub>h</sub> ) ved for-/baghåndtag, m/s <sup>2</sup> . Se EN 62841-1 og EN 62841-4-2.	1,223/0,816

<sup>4</sup> Emission af støj til omgivelserne målt som lydeffekt (L<sub>WA</sub>) i henhold til EF-direktiv 2000/14/EF. Forskellen mellem garanteret og målt lydeffekt er, at den garanterede lydeffekt også omfatter spredning i måleresultatet og variationerne mellem forskellige produkter af samme model i henhold til direktivet 2000/14/EF.

<sup>5</sup> Typisk statistisk spredning for et ækvivalent lydtryksniveau er en standardafvigelse på 3 dB (A).

<sup>6</sup> Rapporterede data for vibrationsniveau har en typisk statistisk spredning (standardafvigelse) på 1,5 m/s<sup>2</sup>.

Den angivne samlede vibrationsværdi er målt i henhold til en standardtestmetode og anvendes til at sammenligne værktøj.

Den angivne samlede vibrationsværdi kan endvidere anvendes i en foreløbig vurdering af vibrationerne.

	<b>120ITK4-H</b>
<b>Skæredstyr</b>	
Type	Dobbelt
Klingelængde, mm	500
Klinge­hastighed, snit/min i savE-tilstand	2250
Klinge­hastighed, snit/min ikke i savE-tilstand	2800

### Godkendte batteriladere

<b>Batterioplader</b>	<b>QC80</b>
Indgangsspænding, V	100-240
Frekvens, Hz	50-60
Effekt, watt	100
Udgangsspænding, V DC/A	36/2

### Godkendte batterier til produktet

<b>Batteri</b>	<b>BL110</b>
Type	Lithiumion
Batterikapacitet, Ah	Se batteritypeskiltet
Nominal spænding, V	36
Vægt, kg	0,7

---

# EU-overensstemmelseserklæring

---

## EU-overensstemmelseserklæring

**Husqvarna AB**, SE-561 82 Huskvarna, Sverige, tlf.: +46-36-146500, erklærer, at hækkeklippere **Husqvarna 120iTK4-H** med serienumre fra 2021 og fremefter (året er tydeligt angivet på typeskiltet, efterfulgt af serienummeret), opfylder forskrifterne i RÅDETS DIREKTIV:

- af den 17. maj 2006 "angående maskiner" **2006/42/EF**.
- af den 26. februar 2014 "angående elektromagnetisk kompatibilitet" **2014/30/EU**.
- af den 8. juni 2011 angående "begrænsning af anvendelsen af visse farlige stoffer" **2011/65/EU**.

Der er anvendt følgende standarder:

**EN 62841-1:2015, EN 62841-4-2:2019, EN 55014-1:2017+A11, EN 55014-2:2015, CISPR12:2007+A1 2009, EN IEC 63000:2018.**

TÜV Rheinland LGA Products GmbH, Tillystrasse 2, D-90431 Nuernberg, Germany har foretaget frivillig typegodkendelse for Husqvarna AB. Certifikatet har nummer: **AM 50491653 0001**.

Huskvarna 2020-12-30



The image shows a handwritten signature in black ink, which appears to be 'Pär Martinsson'. To the right of the signature is a large, semi-transparent watermark logo for 'KEES VAN DER SPEK' with the text 'NES \* STOLWIJK' underneath it.

Pär Martinsson, udviklingschef (autoriseret repræsentant for Husqvarna AB og ansvarlig for teknisk dokumentation)

# Inhalt

Einleitung.....	36	Fehlerbehebung.....	50
Sicherheit.....	38	Transport, Lagerung und Entsorgung.....	51
Montage.....	46	Technische Angaben.....	51
Betrieb.....	46	EU-Konformitätserklärung.....	54
Wartung.....	49		

# Einleitung

## Beschreibung des Produkts

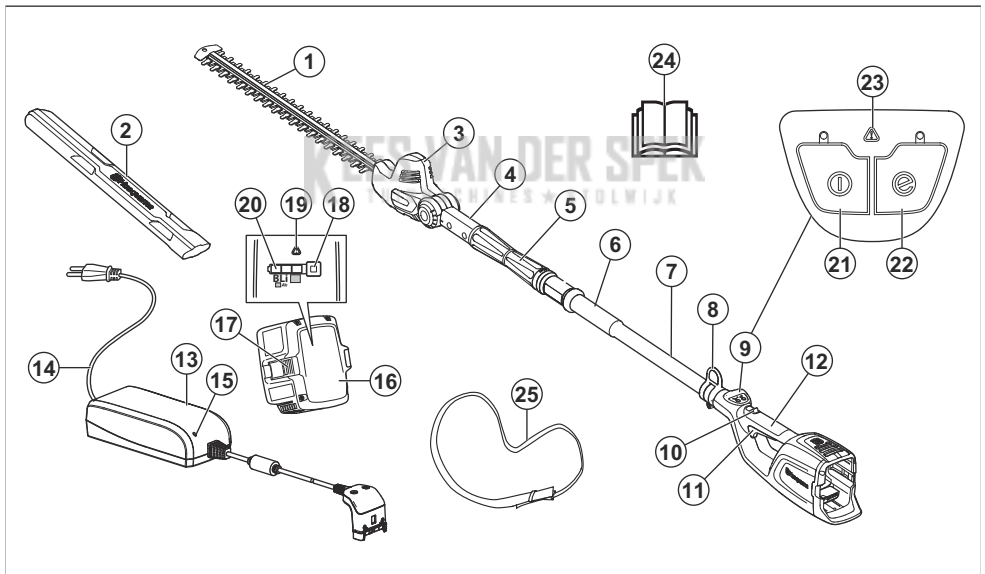
Husqvarna 120iTK4-H ist eine akkubetriebene Teleskop-Heckenschere.

Wir arbeiten laufend daran, Ihre Sicherheit und die Effektivität während des Betriebs zu verbessern. Ihr Servicehändler steht Ihnen gerne für weitere Informationen zur Verfügung.

## Verwendungszweck

Verwenden Sie das Gerät zum Schneiden von Ästen und Zweigen. Verwenden Sie das Gerät nicht für andere Aufgaben.

## Geräteübersicht



- |                            |                            |
|----------------------------|----------------------------|
| 1. Klinge                  | 11. Gashebel               |
| 2. Transportschutz         | 12. Hinterer Griff         |
| 3. Gehäuse                 | 13. Akkuladegerät          |
| 4. Positionsteilungsgriff  | 14. Faden                  |
| 5. Teleskopfunktion        | 15. Betriebs/Warn-LED      |
| 6. Vorderer Handgriff      | 16. Akku                   |
| 7. Führungsrohr            | 17. Akkuentriegelungstaste |
| 8. Tragegurt-Aufhängehaken | 18. Akkuanzeigetaste       |
| 9. Tastatur                | 19. Warn-LED               |
| 10. Gashebelsperre         | 20. Akkuanzeige-LED        |

- 21. Start-/Stopptaste
- 22. SavE-Taste (Energiespartaste)
- 23. Warn-LED
- 24. Bedienungsanleitung
- 25. Tragegurt

## Symbole auf dem Gerät



**WARNUNG!** Dieses Gerät ist gefährlich. Wenn das Gerät nicht sorgfältig und korrekt verwendet wird, kann es zu Verletzungen oder zum Tod des Bedieners oder anderer Personen kommen. Zur Vermeidung von Verletzungen des Bedieners oder umstehender Personen lesen und befolgen Sie alle Sicherheitshinweise in der Bedienungsanleitung. Lesen Sie die Bedienungsanleitung sorgfältig durch, und machen Sie sich vor der Benutzung mit dem Inhalt vertraut.



Tragen Sie dort, wo Gegenstände auf Sie fallen können, einen Schutzhelm. Tragen Sie einen zugelassenen Gehörschutz. Tragen Sie einen zugelassenen Augenschutz.



Tragen Sie zugelassene Schutzhandschuhe.



Dieses Gerät entspricht den geltenden EG-Richtlinien.



Nennspannung, V



Gleichstrom.



Verwenden Sie das Gerät nicht bei Regen.



Halten Sie Ihre Hände von der Klinge fern.



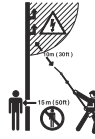
Teleskopfunktion.



Teilungsfunktion.



Drehen Sie den Knopf nach links, um ihn zu lösen, und nach rechts, um ihn festzuziehen.



Dieses Gerät hat keine Isolierung. Wenn das Gerät in Kontakt mit oder in die Nähe von stromführenden Leitungen kommt, können Todesfälle oder schwere Verletzungen die Folge sein. Strom kann über einen sogenannten Spannungsbogen von einem Punkt zu einem anderen übertragen werden. Je höher die Spannung, desto größer der Abstand, den der Strom so überwinden kann. Strom kann auch durch Äste und andere Gegenstände übertragen werden, besonders dann, wenn diese feucht sind. Halten Sie mit dem Gerät immer einen Abstand von mindestens 10 m zu einer stromführenden Leitung und/oder Gegenständen, die mit dieser in Kontakt stehen, ein. Wenn Sie innerhalb dieses Bereichs arbeiten müssen, wenden Sie sich immer an den aktuellen Stromversorger, um sicherzustellen, dass die Spannung ausgeschaltet ist, bevor Sie mit der Arbeit beginnen. Halten Sie während des Betriebs einen Mindestabstand von 15 m zu anderen Personen oder Tieren ein.

yyyywwxxxx

Auf dem Typenschild ist die Seriennummer angegeben. **yyyy** ist das Produktionsjahr, **ww** steht für die Produktionswoche.

**Hinweis:** Sonstige Symbole/Aufkleber am Gerät beziehen sich auf Zertifizierungsanforderungen, die in bestimmten Ländern gelten.

## Symbole auf dem Akku und/oder auf dem Ladegerät



Recyclen Sie dieses Gerät an einer Recyclingstation für elektrische und elektronische Geräte. (nur für Europa)



Störungsfreier Transformator.



Das Akkuladegerät darf nur in geschlossenen Räumen benutzt und aufbewahrt werden.



Doppelt isoliert

## Produkthaftung

Im Sinne der Produkthaftungsgesetze übernehmen wir keine Haftung für Schäden, die unser Gerät verursacht, wenn...

- das Gerät nicht ordnungsgemäß repariert wird.
- das Gerät mit Teilen repariert wird, die nicht vom Hersteller stammen oder nicht vom Hersteller zugelassen sind.
- ein Zubehörteil mit dem Gerät verwendet wird, das nicht vom Hersteller stammt oder nicht vom Hersteller zugelassen ist.
- das Gerät nicht bei einem zugelassenen Service Center oder von einem zugelassenen Fachmann repariert wird.

---

## Sicherheit

---

### Sicherheitsdefinitionen

Warnungen, Vorsichtsmaßnahmen und Hinweise werden verwendet, um auf besonders wichtige Teile der Bedienungsanleitung hinzuweisen.



**WARNUNG:** Wird verwendet, wenn bei Nichtbeachtung der Anweisungen in diesem Handbuch die Gefahr von Verletzung oder Tod des Bedieners oder anderer Personen besteht.



**ACHTUNG:** Wird verwendet, wenn bei Nichtbeachtung der Anweisungen in diesem Handbuch die Gefahr von Schäden am Gerät, an anderen Materialien oder in der Umgebung besteht.

**Hinweis:** Für weitere Informationen, die in bestimmten Situationen nötig sind.

### Allgemeine Sicherheitshinweise für Elektrowerkzeuge



**WARNUNG:** Lesen Sie sämtliche Sicherheitshinweise und Anweisungen durch. Wenn Sie die Warn- und Sicherheitshinweise nicht befolgen, kann dies zu Elektroschock, Brand und/oder schweren Verletzungen führen.

**Hinweis:** Bewahren Sie alle Warnhinweise und Anweisungen für spätere Referenzzwecke auf. Der Begriff „Elektrowerkzeug“ in den Warnhinweisen bezieht sich auf ein Elektrowerkzeug mit Netzbetrieb (über ein Kabel) oder mit Akkubetrieb (kabellos).

### Sicherheit im Arbeitsbereich

- **Sorgen Sie für einen sauberen und gut ausgeleuchteten Arbeitsbereich.** Durch zugestellte oder dunkle Arbeitsbereiche steigt die Unfallgefahr stark an.

- **Betreiben Sie Elektrowerkzeuge niemals an Orten, an denen Explosionsgefahr besteht, z. B. in der Nähe von leicht entzündlichen Flüssigkeiten, Gasen oder Staubansammlungen.** Bei der Arbeit mit Elektrowerkzeugen kann es zu Funkenbildung kommen, wodurch sich Staub oder Dämpfe entzünden können.
- **Sorgen Sie bei der Arbeit mit Elektrowerkzeugen dafür, dass sich keine Kinder oder unbefugte Personen in der Nähe befinden.** Durch Ablenkungen können Sie die Kontrolle über das Werkzeug verlieren.

### Elektrische Sicherheit

- **Die Netzstecker von Elektrowerkzeugen müssen zur Steckdose passen. Der Netzstecker darf in keiner Weise verändert werden. Verwenden Sie bei Elektrowerkzeugen mit Schutzkontakt (geerdet) niemals Adapterstecker.** Nicht modifizierte Stecker und Steckdosen reduzieren das Risiko eines Elektroschocks.
- **Vermeiden Sie Körperkontakt mit geerdeten Gegenständen wie Rohrleitungen, Heizungen, Herden oder Kühlschränken.** Bei Körperkontakt mit geerdeten Gegenständen besteht ein erhöhtes Stromschlagrisiko.
- **Setzen Sie Elektrowerkzeuge niemals Regen oder sonstiger Feuchtigkeit aus.** Wenn Wasser in ein Elektrowerkzeug eindringt, erhöht sich das Stromschlagrisiko.
- **Verwenden Sie das Anschlusskabel nicht missbräuchlich. Verwenden Sie das Anschlusskabel niemals zum Tragen oder Heranziehen des Elektrowerkzeugs, und ziehen Sie den Stecker nicht am Anschlusskabel aus der Steckdose. Halten Sie das Kabel fern von Hitzequellen, Öl, scharfen Kanten und beweglichen Teilen.** Beschädigte oder verdrehte Anschlusskabel erhöhen das Stromschlagrisiko.
- **Wenn Sie ein Elektrowerkzeug im Freien benutzen, verwenden Sie ein für den Außeneinsatz geeignetes Verlängerungskabel.** Die Verwendung eines für den Außeneinsatz geeigneten Kabels verringert das Risiko eines Stromschlags.
- **Falls der Einsatz eines Elektrowerkzeugs in einer feuchten Umgebung nicht zu vermeiden ist,**

**benutzen Sie eine Stromversorgung mit FI-Schutzschalter (RCD).** Die Verwendung einer Fehlerstrom-Schutzeinrichtung (RCD) verringert das Risiko eines elektrischen Schlags.

## Persönliche Sicherheit

- **Bleiben Sie aufmerksam, achten Sie auf das, was Sie tun, und setzen Sie gesunden Menschenverstand ein, wenn Sie mit Elektrowerkzeugen arbeiten. Benutzen Sie keine Elektrowerkzeuge, wenn Sie müde sind oder unter dem Einfluss von Drogen, Alkohol oder Medikamenten stehen.** Bei der Arbeit mit Elektrowerkzeugen können bereits kurze Phasen der Unaufmerksamkeit zu schweren Verletzungen führen.
- **Benutzen Sie eine persönliche Schutzausrüstung. Tragen Sie stets einen Augenschutz.** Schutzausrüstung wie Atemschutzmaske, rutschsichere Sicherheitsschuhe, Schutzhelm und Gehörschutz senkt bei angemessenem Einsatz das Verletzungsrisiko.
- **Vermeiden Sie ein versehentliches Starten. Achten Sie darauf, dass sich der Schalter in der Aus-Stellung befindet, bevor Sie das Elektrowerkzeug an die Stromversorgung und/oder den Akku anschließen oder es hochheben oder herumtragen.** Durch Herumtragen von Elektrowerkzeugen mit dem Finger am Schalter und das Einstecken des Steckers bei betätigtem Schalter steigt das Unfallrisiko stark an.
- **Entfernen Sie sämtliche Einstellschlüssel, bevor Sie das Elektrowerkzeug einschalten.** Ein an einem beweglichen Teil des Elektrowerkzeugs angebrachter Schlüssel kann zu Verletzungen führen.
- **Sorgen Sie für einen festen Stand. Achten Sie jederzeit darauf, sicher zu stehen und das Gleichgewicht zu bewahren.** Dadurch haben Sie das Elektrowerkzeug in unerwarteten Situationen besser im Griff.
- **Kleiden Sie sich richtig. Tragen Sie niemals lose sitzende Kleidung oder Schmuck. Halten Sie Haar und Kleidung von beweglichen Teilen fern.** Lose Kleidung, Schmuck oder langes Haar kann von beweglichen Teilen erfasst werden.
- **Wenn Anschlüsse für Staubabsaug- und Staubsammelvorrichtungen vorhanden sind, sorgen Sie dafür, dass diese richtig angeschlossen und eingesetzt werden.** Die Verwendung von Staubsammelvorrichtungen vermindert durch Staub verursachte Gefahren.
- **Lassen Sie nicht zu, dass Sie wegen Vertrautheit durch häufige Verwendung der Werkzeuge selbstgefällig werden und die Sicherheitsgrundsätze der Werkzeuge ignorieren.** Eine achtlose Handlung kann im Bruchteil einer Sekunde zu schweren Verletzungen führen.
- Die Vibrationsemissionen während der tatsächlichen Verwendung des Elektrowerkzeugs können

abhängig von der Verwendungsart des Werkzeugs vom angegebenen Gesamtwert abweichen. Bediener sollten Sicherheitsmaßnahmen für den eigenen Schutz ergreifen, die auf einer Beurteilung der Exposition unter tatsächlichen Nutzungsbedingungen beruht. Dabei sind alle Teile des Betriebszyklus zu berücksichtigen, z. B. abgesehen vom Gashebelbetrieb, die Zeiten, wenn das Werkzeug ausgeschaltet ist und wenn es im Leerlauf betrieben wird.

## Verwendung und Pflege von Elektrowerkzeugen

- **Überbeanspruchen Sie Elektrowerkzeuge nicht. Benutzen Sie das richtige Elektrowerkzeug für Ihren Einsatzzweck.** Das richtige Elektrowerkzeug erledigt seine Arbeit bei bestimmungsgemäßem Einsatz besser und sicherer.
- **Benutzen Sie das Elektrowerkzeug nicht, wenn es sich nicht am Schalter ein- und ausschalten lässt.** Jedes Elektrowerkzeug, das nicht mit dem Schalter betätigt werden kann, stellt eine Gefahr dar und muss repariert werden.
- **Trennen Sie das Elektrowerkzeug von der Stromversorgung bzw. vom Akku, bevor Sie Einstellarbeiten vornehmen, Zubehörteile austauschen oder das Elektrowerkzeug verstauen.** Solche präventiven Sicherheitsmaßnahmen verhindern den unbeabsichtigten Start des Elektrowerkzeugs.
- **Lagern Sie nicht benutzte Elektrowerkzeuge außerhalb der Reichweite von Kindern, und lassen Sie nicht zu, dass Personen das Elektrowerkzeug bedienen, die nicht mit dem Werkzeug selbst und/oder diesen Anweisungen vertraut sind.** Elektrowerkzeuge stellen in ungeschulten Händen eine Gefahr dar.
- **Halten Sie Elektrowerkzeuge in Stand. Prüfen Sie auf Fehlaufrichtungen, sicheren Halt und Leichtgängigkeit beweglicher Teile, Beschädigungen von Teilen sowie auf jegliche andere Zustände, die sich auf den Betrieb des Elektrowerkzeugs auswirken können. Bei Beschädigungen lassen Sie das Elektrowerkzeug reparieren, bevor Sie es benutzen.** Viele Unfälle mit Elektrowerkzeugen sind auf schlechte Wartung zurückzuführen.
- **Halten Sie Schneidwerkzeuge scharf und sauber.** Ordnungsgemäß gewartete Schneidwerkzeuge mit scharfen Schneidkanten bleiben seltener hängen und sind einfacher zu bedienen.
- **Benutzen Sie Elektrowerkzeuge, Zubehör, Werkzeugeinsätze und Ähnliches in Übereinstimmung mit diesen Anweisungen und auf die für das jeweilige Elektrowerkzeug bestimmungsgemäße Weise, und beachten Sie dabei die jeweiligen Arbeitsbedingungen und die Art der auszuführenden Arbeiten.** Der Einsatz eines Elektrowerkzeugs für Zwecke, die von den hier angegebenen abweichen, kann zu Gefahrensituationen führen.

- **Halten Sie die Handgriffe und Griffflächen trocken, sauber und frei von Öl und Fett.** Wenn Handgriffe und Griffflächen rutschig sind, kann das Werkzeug in unerwarteten Situationen nicht sicher bedient und kontrolliert werden.

- **Warten Sie niemals beschädigte Akkus.** Akkus dürfen nur vom Hersteller oder von autorisierten Serviceanbietern gewartet werden.

## Sicherheitshinweise für Heckenschere

- **Halten Sie alle Körperteile von den Klingen fern. Entfernen Sie kein geschnittenes Material, und halten Sie zu schneidendes Material nicht fest, wenn sich die Klingen bewegen.** Die Klingen bewegen sich nach dem Ausschalten des Motors weiter. Bei der Arbeit mit der Heckenschere können bereits kurze Phasen der Unaufmerksamkeit zu schweren Verletzungen führen.
- **Tragen Sie die Heckenschere mit zum Stillstand gekommenen Klingen am Griff, und achten Sie darauf, dass Sie keine Schalter betätigen.** Ein ordnungsgemäßer Transport der Heckenschere verringert das Risiko eines unbeabsichtigten Betriebs und daraus resultierender Verletzungen durch die Klingen.
- **Beim Transportieren oder Aufbewahren der Heckenschere muss immer die Klingenabdeckung angebracht werden.** Durch korrekte Handhabung der Heckenschere wird das Verletzungsrisiko durch die Klingen reduziert.
- **Stellen Sie beim Beseitigen von eingeklemmtem Material oder bei der Wartung des Geräts sicher, dass alle Schalter ausgeschaltet sind und das Netzkabel getrennt ist.** Eine unerwartete Betätigung der Heckenschere beim Entfernen von festklemmendem Material oder bei der Wartung kann zu schweren Verletzungen führen.
- **Halten Sie die Heckenschere nur an isolierten Griffoberflächen fest, da die Klinge ggf. in Kontakt mit innenliegender Verdrahtung oder mit ihrem eigenen Kabel kommen kann.** Klingen, die mit einem stromführenden Leiter in Kontakt kommen, können freiliegende Metallteile der Heckenschere unter Strom setzen und dem Bediener einen Stromschlag versetzen.
- **Halten Sie alle Kabel vom Schnittbereich fern.** In Hecken oder Büschen können stromführende Kabel verlaufen, die versehentlich mit den Kabeln in Kontakt kommen könnten.
- **Verwenden Sie die Heckenschere nicht bei schlechtem Wetter, insbesondere dann nicht, wenn die Gefahr eines Blitzschlags besteht.** Dadurch wird die Gefahr eines Blitzschlags reduziert.
- **Verwenden Sie die ausziehbare Heckenschere niemals in der Nähe von Hochspannungsfreileitungen, um das Risiko eines Stromschlags zu reduzieren.** Ein Kontakt mit bzw. eine Verwendung in der Nähe von Hochspannungsfreileitungen kann zu schweren Verletzungen oder elektrischen Schlägen mit Todesfolge führen.
- **Benutzen Sie stets zwei Händen bei der Verwendung der ausziehbaren Heckenschere.** Halten Sie die ausziehbare Heckenschere mit beiden Händen, um immer die Kontrolle zu behalten.

## Verwendung und Pflege von akkubetriebenen Werkzeugen

- **Eine Aufladung darf nur mit dem vom Hersteller vorgeschriebenen Ladegerät durchgeführt werden.** Durch ein für einen bestimmten Akkutyp geeignetes Ladegerät kann Brandgefahr entstehen, wenn es für einen anderen Akku verwendet wird.
- **Verwenden Sie Elektrowerkzeuge nur mit speziell ausgezeichneten Akkus.** Die Verwendung anderer Akkus kann zu Verletzungs- und Brandgefahr führen.
- **Wird der Akku nicht verwendet, halten Sie ihn von Metallgegenständen wie Büroklammern, Münzen, Schlüsseln, Nägeln, Schrauben oder anderen kleineren Metallobjekten fern, da es zu einer Überbrückung der Kontakte kommen könnte.** Durch Kurzschluss der Akkulemmen kann es zu Verbrennungen oder Bränden kommen.
- **Unter missbräuchlichen Bedingungen kann Flüssigkeit aus dem Akku austreten; vermeiden Sie Kontakt damit. Bei versehentlichem Hautkontakt sofort mit Wasser abspülen. Sollten Ihre Augen damit in Berührung gekommen sein, suchen Sie sofort ärztliche Hilfe auf.** Durch austretende Flüssigkeit aus dem Akku kann es zu Reizungen oder Verbrennungen kommen.
- **Verwenden Sie keinen Akku und kein Werkzeug, der bzw. das defekt ist oder modifiziert wurde.** Beschädigte oder modifizierte Batterien können ein unvorhersehbares Verhalten aufweisen, welches zu Feuer, Explosionen oder Verletzungsgefahren führen kann.
- **Setzen Sie Akku oder Werkzeug niemals Feuer oder sehr hohen Temperatur aus.** Feuer oder Temperaturen über 130 °C/265 F können zu einer Explosion führen.
- **Befolgen Sie die Ladeanweisungen und laden Sie den Akku oder das Werkzeug niemals bei Temperaturen außerhalb den in der Anleitung angegebenen Temperaturbereichen auf.** Unsachgemäßes Aufladen oder Aufladen bei Temperaturen außerhalb des angegebenen Bereichs kann den Akku beschädigen und die Brandgefahr erhöhen.

## Service

- **Lassen Sie das Elektrowerkzeug von einem qualifizierten Fachmann reparieren, und bestehen Sie darauf, dass nur Originalersatzteile verwendet werden.** Auf diese Weise wird dafür gesorgt, dass die Sicherheit des Elektrowerkzeugs nicht beeinträchtigt wird.



- **Tragen Sie bei Verwendung der ausziehbaren Heckenschere über Kopf stets einen Kopfschutz.** Herabfallende Pflanzenteile können schwere Verletzungen verursachen.

## Allgemeine Sicherheitshinweise



**WARNUNG:** Lesen Sie die folgenden Warnhinweise, bevor Sie das Gerät benutzen.

- Entnehmen Sie den Akku, um den versehentlichen Start des Geräts zu verhindern.
- Dieses Gerät ist ein sehr gefährliches Werkzeug, wenn Sie nicht aufpassen oder das Gerät unsachgemäß verwenden. Dieses Gerät kann schwere Verletzungen des Bedieners oder anderer Personen verursachen.
- Verwenden Sie das Gerät nicht, wenn es nicht mehr der ursprünglichen Spezifikation entspricht. Ändern Sie kein Teil des Geräts ohne Genehmigung des Herstellers. Verwenden Sie nur Teile, die vom Hersteller genehmigt wurden. Eine falsche Wartung kann zu schweren bis tödlichen Verletzungen führen.
- Überprüfen Sie das Gerät vor dem Gebrauch. Siehe *Sicherheitsvorrichtungen am Gerät auf Seite 43* und *Wartung auf Seite 49*. Verwenden Sie das Gerät nicht, wenn es defekt ist. Führen Sie die in dieser Bedienungsanweisung beschriebenen Kontroll-, Wartungs- und Serviceanweisungen durch.
- Lassen Sie keine Kinder mit dem Gerät spielen. Das Gerät ist kein Spielzeug! Kinder oder nicht im Gebrauch des Geräts und/oder des Akkus geschulte Personen dürfen das Gerät bzw. den Akku weder bedienen noch warten. Unter Umständen gelten gesetzlich vorgeschriebene Altersbeschränkungen.
- Bewahren Sie das Gerät in einem verschlossenen Bereich auf, um einen unerlaubten Zugriff durch Kinder oder andere Personen zu verhindern.
- Das Gerät für Kinder unzugänglich aufbewahren.
- Unter keinen Umständen darf die ursprüngliche Konstruktion des Gerätes ohne Genehmigung des Herstellers geändert werden. Verwenden Sie stets Originalzubehör. Unzulässige Änderungen und/oder unzulässiges Zubehör können zu schweren oder sogar tödlichen Verletzungen des Bedieners und anderer Personen führen.
- Wenn Sie in eine Situation kommen, die Sie in Bezug auf die weitere Anwendung des Geräts verunsichert, lassen Sie sich von einem Experten beraten. Wenden Sie sich an Ihren Händler oder Ihre Servicewerkstatt. Vermeiden Sie, Arbeiten auszuführen, denen Sie sich nicht gewachsen fühlen.
- Verwenden Sie niemals das Gerät, wenn Sie müde sind, Alkohol getrunken oder Medikamente eingenommen haben, die Ihre Sehkraft, Ihr Urteilsvermögen oder Ihre Körperkontrolle beeinträchtigen können.
- Das Arbeiten bei schlechtem Wetter ist nicht nur ermüdend, sondern birgt auch zusätzliche Risiken. Aufgrund des höheren Risikos wird davon abgeraten, das Gerät bei sehr schlechtem Wetter zu verwenden, z. B. bei dichtem Nebel, starkem Regen, starkem Wind, großer Kälte, Gewittergefahr usw.
- Eine nicht ordnungsgemäß funktionierende Schneidausrüstung kann die Unfallgefahr erhöhen.
- Erlauben Sie Kindern niemals, das Gerät zu verwenden oder sich in seiner Nähe aufzuhalten. Da das Gerät leicht zu starten ist, könnten auch Kinder bei unzureichender Aufsicht in der Lage sein, es zu starten. Dies kann zu schweren Verletzungen führen. Trennen Sie stets den Akku ab, wenn das Gerät unbeaufsichtigt ist.
- Stellen Sie sicher, dass während der Verwendung Menschen und Tiere einen Abstand von mindestens 15 Metern einhalten. Wenn mehrere Bediener am gleichen Einsatzort tätig sind, muss der Sicherheitsabstand mindestens 15 Meter betragen. Andernfalls kann es zu schweren Verletzungen kommen. Stellen Sie das Gerät sofort ab, wenn sich Personen oder Tiere nähern. Drehen Sie sich niemals abrupt mit dem Gerät um, ohne vorher sicherzugehen, dass sich hinter Ihnen niemand innerhalb der Sicherheitszone befindet.
- Stellen Sie sicher, dass weder Menschen noch Tiere oder andere Dinge die Kontrolle des Geräts beeinflussen oder mit der Schneidausrüstung oder umherfliegenden Gegenständen in Berührung kommen. Sie dürfen das Gerät niemals benutzen, wenn im Falle eines Unfalls nicht die Möglichkeit besteht, Hilfe herbeizurufen.
- Kontrollieren Sie immer den Arbeitsbereich. Entfernen Sie alle losen Gegenstände, z. B. Steine, Glasscherben, Nägel, Drähte, Schnüre usw., die weggeschleudert werden oder sich in der Schneidausrüstung verfangen können.
- Vergewissern Sie sich, dass Sie sicher gehen und stehen können. Achten Sie auf eventuelle Hindernisse (Wurzeln, Steine, Äste, Löcher, Gräben usw.), wenn Sie unvermittelt Ihren Standort wechseln. Beim Arbeiten auf abschüssigem Boden müssen Sie immer sehr vorsichtig sein.
- Nehmen Sie stets eine sichere Arbeitsstellung mit festem Stand ein. Arbeiten Sie nicht über die normale Reichweite hinaus.

**Hinweis:** Nationale oder regionale Gesetze regeln ggf. die Verwendung. Halten Sie die festgelegten Bestimmungen ein.

## Sicherheitshinweise für den Betrieb



**WARNUNG:** Lesen Sie die folgenden Warnhinweise, bevor Sie das Gerät verwenden.

- Stellen Sie das Gerät beim Weitergehen ab. Befestigen Sie den Transportschutz, wenn das Gerät nicht in Betrieb ist.
- Legen Sie das Gerät nur dann ab, wenn Sie es ausgeschaltet haben. Lassen Sie das Gerät nicht unbeaufsichtigt, wenn es eingeschaltet ist.
- Entfernen Sie den Akku, bevor Sie das Gerät an eine andere Person weitergeben.
- Stellen Sie sicher, dass keine Kleidung und kein Körperteil mit der Schneidausrüstung in Kontakt kommt, wenn das Gerät aktiviert ist.
- Wenn während der Arbeit mit dem Gerät irgendetwas in der Schneidausrüstung hängen bleibt, halten Sie das Gerät an, und schalten Sie es aus. Stellen Sie sicher, dass die Schneidausrüstung vollständig stoppt. Entfernen Sie den Akku, bevor Sie das Gerät und/oder die Schneidausrüstung reinigen, überprüfen oder reparieren.
- Halten Sie Hände und Füße nach Abschalten von der Schneidausrüstung fern, bis diese vollständig stillsteht.
- Achten Sie auf Aststückchen, die beim Schneiden weggeschleudert werden können. Schneiden Sie nicht zu dicht am Boden, wo Steine und andere Gegenstände weggeschleudert werden können.
- Achten Sie auf hochgeschleuderte Gegenstände. Tragen Sie immer einen zugelassenen Augenschutz. Beugen Sie sich niemals über den Schutz der Schneidausrüstung. Hochgeschleuderte Steine, Unrat usw. können die Augen treffen und Blindheit oder schwere Verletzungen verursachen.
- Achten Sie immer genau auf Warnsignale oder Rufe, wenn Sie den Gehörschutz tragen. Nehmen Sie den Gehörschutz immer ab, sobald das Gerät abgestellt ist.
- Arbeiten Sie niemals stehend auf einer Leiter oder einem Hocker oder in einer anderen, nicht ausreichend gesicherten erhöhten Position.
- Dieses Gerät erzeugt beim Betrieb ein elektromagnetisches Feld. Dieses Feld kann sich unter bestimmten Bedingungen auf die Funktionsweise aktiver oder passiver medizinischer Implantate auswirken. Um die Gefahr von schweren oder tödlichen Verletzungen auszuschließen, sollten Personen mit einem medizinischen Implantat vor der Nutzung dieses Gerätes ihren Arzt und den Hersteller des Implantats konsultieren.
- Halten Sie das Gerät stets mit beiden Händen. Halten Sie das Gerät auf der rechten Seite des Körpers.
- Schalten Sie das Gerät immer ab, entfernen Sie den Akku, und stellen Sie sicher, dass sich die Schneidausrüstung nicht dreht, bevor Sie das Material entfernen, das sich um die Klingenwelle gewickelt oder zwischen dem Schutz und der Schneidausrüstung verfangen hat.
- Das elektromagnetische Feld während des Betriebs kann sich auf die Funktionsweise aktiver oder passiver medizinischer Implantate auswirken. Personen mit medizinischen Implantaten sollten sich

vor der Nutzung des Geräts an ihren Arzt und den Hersteller des Implantats wenden.

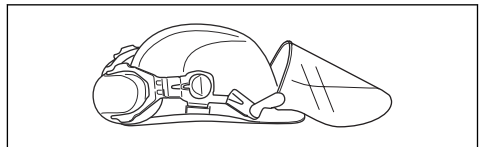
- Halten Sie das Gewicht des Geräts mit dem Tragegurt, um die Bedienung zu vereinfachen.
- Eine längerfristige Lärmeinwirkung kann zu bleibenden Gehörschäden führen. Husqvarna empfiehlt, beim Betrieb einen zugelassenen Gehörschutz zu tragen.
- Arbeiten Sie niemals mit einem Gerät, das ohne Zustimmung des Herstellers modifiziert wurde und nicht mehr mit der Originalausführung übereinstimmt.
- Arbeiten Sie niemals mit einem defekten Gerät. Befolgen Sie die Kontroll-, Wartungs- und Serviceanweisungen in dieser Betriebsanleitung. Gewisse Wartungs- und Servicemaßnahmen sind von geschulten, qualifizierten Fachleuten auszuführen. Siehe Anweisungen unter dem Titel **Wartung**.
- Führen Sie vor dem Gebrauch des Geräts eine Gesamtüberprüfung durch. Siehe **Wartungsplan**.
- Lassen Sie niemals jemand anderen das Gerät benutzen, ohne sich zu vergewissern, dass die Person den Inhalt der Bedienungsanleitung gelesen und verstanden hat.
- Kontrollieren Sie den Arbeitsbereich auf Fremdkörper wie Stromleitungen oder Tiere usw. oder auf Gegenstände, die die Schneidausrüstung beschädigen könnten, z. B. Metallgegenstände.
- Falsche Messer können die Unfallgefahr erhöhen.

## Persönliche Schutzausrüstung



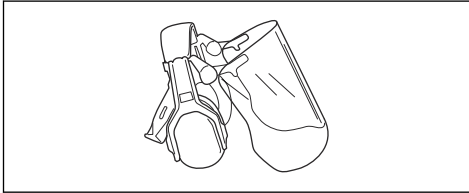
**WARNUNG:** Lesen Sie die folgenden Warnhinweise, bevor Sie das Gerät benutzen.

- Verwenden Sie stets die vorgeschriebene persönliche Schutzausrüstung bei der Benutzung des Geräts. Die persönliche Schutzausrüstung kann Verletzungen nicht vollständig vermeiden, vermindert aber den Umfang der Verletzungen und Schäden bei einem Unfall. Lassen Sie sich bei der Auswahl der richtigen Ausrüstung von Ihrem Händler beraten.
- Tragen Sie einen Schutzhelm in Bereichen, in denen Gefahr durch herabfallende Gegenstände besteht.



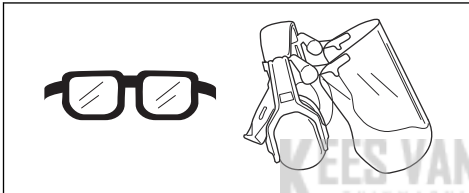
- Eine längerfristige Beschallung mit Lärm kann zu Gehörschäden führen. Grundsätzlich sind akkubetriebene Geräte relativ leise. Durch die Kombination aus Geräuschpegel und langer Nutzungsdauer kann es jedoch zu Gehörschäden kommen. Husqvarna empfiehlt das Tragen eines

Gehörschutzes, wenn das Gerät an einem Tag länger durchgehend benutzt wird. Ständige und regelmäßige Benutzer sollten ihr Gehör regelmäßig untersuchen lassen.

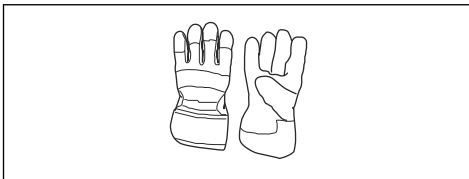


**WARNUNG:** Ein Gehörschutz schränkt die Wahrnehmung von Geräuschen und Warnsignalen ein.

- Tragen Sie einen zugelassenen Augenschutz. Bei der Benutzung eines Visiers ist außerdem eine zugelassene Schutzbrille zu tragen. Zugelassene Schutzbrillen sind in diesem Falle diejenigen, die die Normen ANSI Z87.1 für die USA bzw. EN 166 für EU-Länder erfüllen.

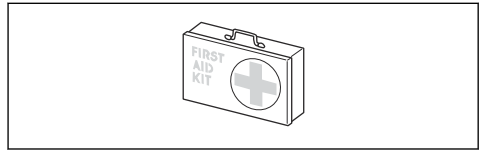


- Tragen Sie bei Bedarf Schutzhandschuhe, beispielsweise bei der Montage, der Untersuchung oder der Reinigung der Schneidausrüstung.



- Tragen Sie Kleidung aus reißfestem Material. Tragen Sie stets lange Hosen aus schwerem Stoff und lange Ärmel. Tragen Sie keine weite Kleidung, die sich leicht an Ästen und Zweigen verfangen könnte. Vermeiden Sie das Tragen von Schmuck, kurzen Hosen und Sandalen. Gehen Sie nicht barfuß. Binden Sie Ihre Haare sicherheitshalber zusammen, so dass sie nicht über Ihre Schultern fallen.

- Halten Sie eine Erste-Hilfe-Ausrüstung und einen Feuerlöscher griffbereit.



## Sicherheitsvorrichtungen am Gerät



**WARNUNG:** Lesen Sie die folgenden Warnhinweise, bevor Sie das Gerät benutzen.

In diesem Abschnitt werden einzelnen Teile der Sicherheitsausrüstung des Gerätes beschrieben, welche Funktion sie haben und wie ihre Kontrolle und Wartung ausgeführt werden sollen, um sicherzustellen, dass sie funktionsfähig sind. Die Einbaulage dieser Komponenten ist unter der Überschrift *Geräteübersicht auf Seite 36* gelistet.

Die Lebensdauer der Maschine kann verkürzt werden und die Unfallgefahr kann steigen, wenn die Wartung des Geräts nicht ordnungsgemäß und Service und/oder Reparaturen nicht fachmännisch ausgeführt werden. Wenden Sie sich für weitere Informationen an Ihre Vertragswerkstatt.



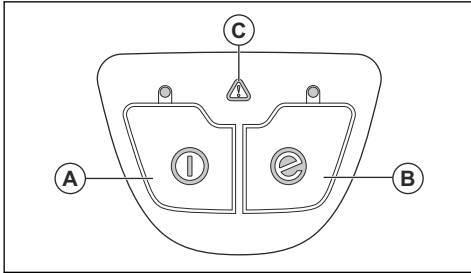
**WARNUNG:** Benutzen Sie kein Gerät mit defekten Sicherheitsvorrichtungen. Die Sicherheitsausrüstung des Gerätes muss so kontrolliert und gewartet werden, wie dies in diesem Abschnitt beschrieben wird. Wenn Ihr Gerät diesen Anforderungen nicht entspricht, muss eine Servicewerkstatt aufgesucht werden.



**ACHTUNG:** Service und Reparatur des Gerätes erfordern eine Spezialausbildung. Dies gilt besonders für die Sicherheitsausrüstung des Geräts. Wenn Ihr Gerät den unten aufgeführten Kontrollanforderungen nicht entspricht, müssen Sie Ihre Servicewerkstatt aufsuchen. Beim Kauf eines unserer Produkte wird gewährleistet, dass Reparatur- oder Servicearbeiten fachmännisch ausgeführt werden. Sollte der Verkäufer Ihres Gerätes nicht an unser Fachhändler-Service-Netz angeschlossen sein, fragen Sie nach unserer nächstgelegenen Servicewerkstatt.

## So prüfen Sie die Tastatur

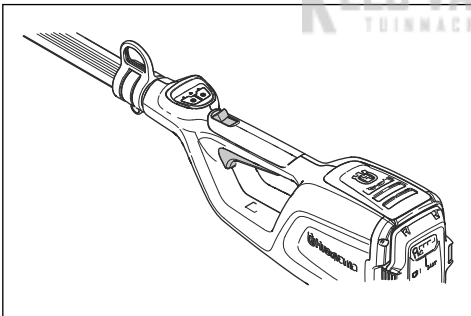
1. Drücken und halten Sie die Start-/Stopptaste (A).



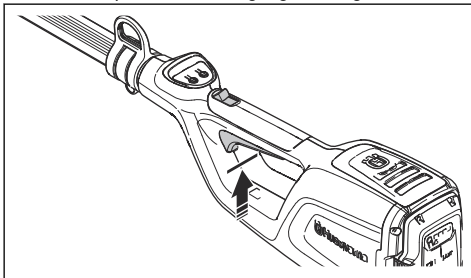
- a) Das Gerät ist eingeschaltet, wenn die LED leuchtet.
  - b) Das Gerät ist ausgeschaltet, wenn die LED aus ist.
2. Unter *So starten Sie die SavE-Akkusparfunktion auf Seite 48* finden Sie Informationen zur Funktion der SavE-Taste (B).
  3. Lesen Sie *Fehlerbehebung auf Seite 50*, wenn die Warnanzeige (C) leuchtet oder blinkt.

## So prüfen Sie die Gashebelsperre

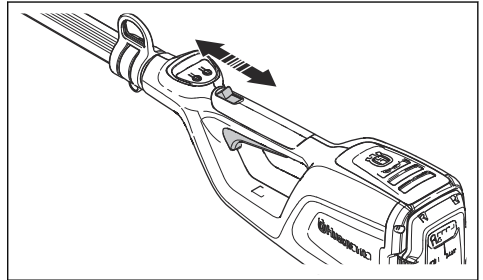
Die Gashebelsperre verhindert ein versehentliches Auslösen. Wenn Sie den Handgriff loslassen, kehren Gashebel und Gashebelsperre wieder in ihre Ausgangsstellung zurück.



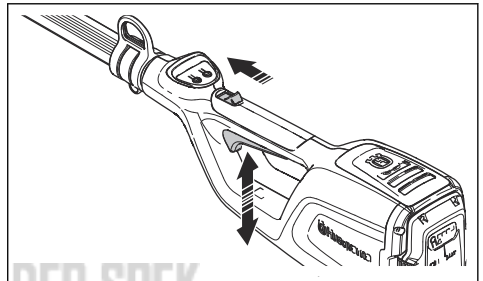
1. Kontrollieren Sie, ob der Gashebel gesperrt ist, wenn sich die Sperre in der Ausgangsstellung befindet.



2. Ziehen und lösen Sie die Sperre, und stellen Sie sicher, dass sie sich zurück in ihre Ausgangsstellung bewegt.



3. Stellen Sie sicher, dass sich Gashebel und Sperre frei bewegen lassen und die Rückholfeder ordnungsgemäß funktioniert.



4. Starten Sie das Gerät, siehe dazu *So starten Sie das Gerät auf Seite 47*.
5. Geben Sie Vollgas.
6. Lassen Sie den Gashebel los, und stellen Sie sicher, dass die Schneid-ausrüstung vollständig stoppt.

## Sicherer Umgang mit Batterien



**WARNUNG:** Lesen Sie die folgenden Warnhinweise, bevor Sie das Gerät benutzen.

- Der empfohlene Akku ist ein BLi10-Akku. Siehe *Technische Daten auf Seite 51*. Die Akkus verfügen über eine Softwareverschlüsselung.
- Verwenden Sie als Stromversorgung für die zugehörigen BLi10 Geräte nur wiederaufladbare Husqvarna Akkus. Um Verletzungen zu vermeiden, verwenden Sie den Akku nicht zur Energieversorgung anderer Geräte.
- Es besteht die Gefahr von elektrischen Schlägen. Verbinden Sie die Akkuklemmen nicht mit Schlüsseln, Münzen, Schrauben oder anderen metallischen Gegenständen. Dadurch kann es zu einem Kurzschluss des Akkus kommen.
- Verwenden Sie ausschließlich wiederaufladbare Batterien (Akkus).

- Legen Sie keine Gegenstände in die Luftschlitze des Akkus.
- Halten Sie den Akku von direkter Sonneneinstrahlung, Hitze oder offenem Feuer fern. Der Akku kann Verbrennungen und/oder chemische Verätzungen verursachen.
- Halten Sie den Akku von Regen und Feuchtigkeit fern.
- Halten Sie den Akku von Mikrowellen und hohem Druck fern.
- Versuchen Sie nicht, den Akku zu zerlegen oder aufzubrechen.
- Wenn aus dem Akku Flüssigkeit austritt, vermeiden Sie Haut- oder Augenkontakt mit dieser. Sollten Sie dennoch mit der Flüssigkeit in Berührung gekommen sein, reinigen Sie den Bereich mit ausreichend Wasser und Seife und suchen Sie medizinische Hilfe auf. Sollte Flüssigkeit in Ihre Augen gelangen, reiben Sie diese nicht, sondern spülen Sie sie mindestens 15 Minuten lang mit reichlich Wasser aus, und suchen Sie anschließend einen Arzt auf.
- Der Akku darf nur bei Temperaturen zwischen -10 °C (14 °F) und 40 °C (114 °F) verwendet werden.
- Reinigen Sie weder den Akku noch das Ladegerät mit Wasser. Siehe *So reinigen Sie das Gerät, den Akku und das Ladegerät auf Seite 49*.
- Verwenden Sie keine fehlerhaften oder beschädigten Akkus.
- Lagern Sie Akkus getrennt von Metallgegenständen wie Nägeln, Schrauben oder Schmuck.
- Halten Sie den Akku fern von Kindern.

## Sicherer Umgang mit dem Ladegerät



**WARNUNG:** Lesen Sie die folgenden Warnhinweise, bevor Sie das Gerät benutzen.

- Gefahr von elektrischen Schlägen oder Kurzschluss, wenn die Sicherheitshinweise nicht beachtet werden.
- Verwenden Sie nur das mitgelieferte Ladegerät für Ihr Gerät. Das empfohlene Ladegerät zum Laden des BLi10-Akkus ist QC80.
- Das Ladegerät nicht zerlegen.
- Verwenden Sie keine fehlerhaften oder beschädigten Ladegeräte.
- Heben Sie das Ladegerät nicht am Netzkabel an. Um das Ladegerät von der Steckdose zu trennen, ziehen Sie am Netzstecker. Ziehen Sie nicht am Netzkabel.
- Achten Sie darauf, dass keines der Kabel und Verlängerungskabel mit Wasser, Öl oder scharfen Kanten in Berührung kommt. Achten Sie darauf, dass Kabel nicht zwischen Objekten, z. B. Türen, Zäunen o. Ä., eingeklemmt werden.
- Das Ladegerät darf nicht in der Nähe von entzündlichen Materialien oder Materialien, die Korrosion verursachen können, verwendet werden.

Vergewissern Sie sich, dass das Akkuladegerät nicht abgedeckt ist. Bei Rauchentwicklung oder Feuer muss der Stecker des Ladegeräts sofort aus der Steckdose gezogen werden.

- Laden Sie den Akku nur in geschlossenen Räumen an einem Ort mit guter Luftzirkulation und ohne direkte Sonneneinstrahlung. Laden Sie den Akku nicht im Freien. Auf keinen Fall Akkus in feuchter Umgebung laden.
- Verwenden Sie das Ladegerät nur bei einer Temperatur zwischen 5 °C (41 °F) und 40 °C (104 °F). Verwenden Sie das Ladegerät nur in einer gut belüfteten, trockenen und staubfreien Umgebung.
- Legen Sie keine Gegenstände in die Kühlschlitze des Akkuladegeräts.
- Verbinden Sie die Anschlüsse des Akkuladegeräts niemals mit Metallgegenständen. Dies kann zu einem Kurzschluss im Ladegerät führen.
- Nutzen Sie zugelassene Steckdosen, die nicht beschädigt sind. Stellen Sie sicher, dass das Kabel des Ladegeräts nicht beschädigt ist. Wenn Verlängerungskabel verwendet werden, stellen Sie sicher, dass diese nicht beschädigt sind.

## Sicherheitshinweise für die Wartung



**WARNUNG:** Lesen Sie die folgenden Warnhinweise, bevor Sie das Gerät warten.

- Entfernen Sie vor Wartungs-, Kontroll- oder Montagearbeiten den Akku.
- Der Bediener darf nur die Wartungs- und Servicearbeiten ausführen, die in dieser Bedienungsanleitung beschrieben sind. Für darüber hinausgehende Wartungs- und Servicearbeiten wenden Sie sich bitte an Ihren Servicehändler.
- Reinigen Sie weder den Akku noch das Ladegerät mit Wasser. Starke Reiniger können den Kunststoff beschädigen.
- Wenn Wartungsarbeiten nicht durchgeführt werden, verringert sich die Lebensdauer des Geräts und die Unfallgefahr steigt.
- Für alle Service- und Reparaturarbeiten, insbesondere an den Sicherheitsvorrichtungen des Geräts, ist eine spezielle Schulung erforderlich. Wenn nach Durchführung der Wartungsarbeiten nicht alle in dieser Bedienungsanleitung beschriebenen Prüfungen mit positivem Ergebnis ausfallen, wenden Sie sich an Ihren Servicehändler. Wir garantieren Ihnen, dass für Ihr Gerät professionelle Service- und Reparaturdienste verfügbar sind.
- Halten Sie die Schneidzähne der Klinge stets korrekt und gut geschärft! Befolgen Sie unsere Empfehlungen. Beachten Sie auch die Anweisungen auf der Klingenverpackung.
- Nur Original-Ersatzteile verwenden.

- Tragen Sie bei der Reparatur der Schneidrüstung immer schwere

Arbeitshandschuhe. Die Klingen sind extrem scharf und können leicht Verletzungen hervorrufen.

## Montage

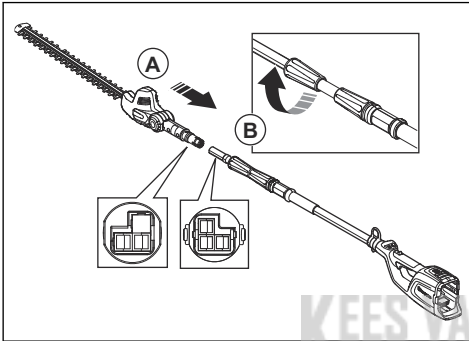
### Einleitung



**WARNUNG:** Lesen Sie vor der Montage des Geräts das Kapitel über Sicherheit, und machen Sie sich damit vertraut.

### So bauen Sie die Welle zusammen

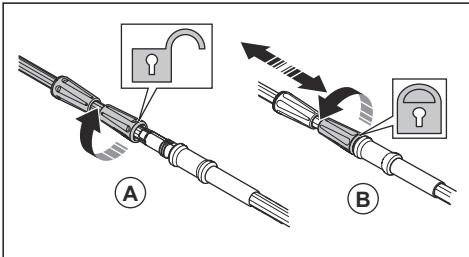
1. Stellen Sie sicher, dass die elektrischen Stecker richtig ausgerichtet sind.



2. Verbinden Sie die Enden der Welle (A) vollständig.
3. Ziehen Sie den Schraubgriff am Heckenscheren-Kopfende der Welle (B) fest.

### So passen Sie die Länge der Welle an

1. Lösen Sie den Schraubgriff am Akkufachende der Welle (A).

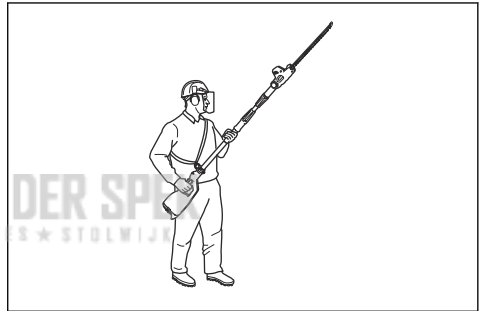


2. Passen Sie die Welle auf die gewünschte Länge an.
3. Ziehen Sie den Schraubgriff (B) fest.

### So stellen Sie den Tragegurt ein

Verwenden Sie immer den Tragegurt, wenn Sie mit dem Gerät arbeiten. Der Tragegurt bietet die beste Kontrolle während der Arbeit mit dem Gerät. Der Tragegurt verringert das Risiko von Müdigkeit in Armen und Rücken.

1. Legen Sie den Tragegurt an.
2. Befestigen Sie das Gerät am Aufhängehaken des Tragegurts.
3. Stellen Sie die Länge des Tragegurtes so ein, dass sich der Aufhängehaken etwa auf der Höhe Ihrer rechten Hüfte befindet.



## Betrieb

### Einleitung



**WARNUNG:** Lesen Sie vor Gebrauch des Geräts das Kapitel über Sicherheit, und machen Sie sich damit vertraut.

### Zu erledigen, bevor Sie das Gerät starten

1. Untersuchen Sie den Arbeitsbereich. Entfernen Sie Gegenstände, die weggeschleudert werden können.

- Überprüfen Sie die Schneidausrüstung. Stellen Sie sicher, dass die Klingen scharf sind und dass sie keine Risse und Beschädigungen aufweisen.
- Vergewissern Sie sich, dass das Gerät ordnungsgemäß funktioniert. Prüfen Sie, ob alle Muttern und Schrauben angezogen sind.
- Stellen Sie sicher, dass der Griff und die Sicherheitseinrichtungen nicht beschädigt sind und dass sie korrekt angebracht sind. Bedienen Sie kein Gerät, bei dem Teile fehlen oder das von seiner ursprünglichen Spezifikation abweicht. Verwenden Sie Schutzhandschuhe, falls notwendig.
- Stellen Sie sicher, dass die Deckel nicht beschädigt sind und korrekt angebracht sind, bevor Sie das Gerät in Betrieb nehmen.

## So schließen Sie das Akkuladegerät an

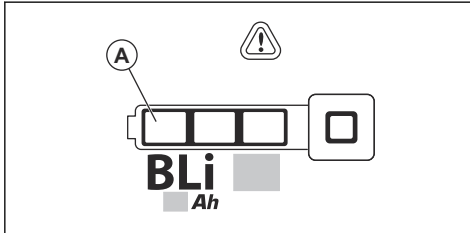
- Schließen Sie das Akkuladegerät an eine Quelle mit der auf dem Typenschild angegebenen Spannung und Frequenz an.
- Stecken Sie den Netzstecker in eine geerdete Steckdose. Die LED am Ladegerät blinkt einmal grün.

**Hinweis:** Der Akku wird nicht aufgeladen, wenn die Akkutemperatur über 50 °C beträgt. In diesem Fall wird der Akku durch das Ladegerät abgekühlt, bevor er weiter aufgeladen wird.

## So schließen Sie den Akku an das Akkuladegerät an

**Hinweis:** Laden Sie den Akku, wenn Sie ihn zum ersten Mal verwenden. Ein neuer Akku ist nur zu 30 % geladen.

- Stellen Sie sicher, dass der Akku trocken ist.
- Schließen Sie den Akku an das Ladegerät an.
- Stellen Sie sicher, dass die grüne Ladeanzeige auf dem Ladegerät aufleuchtet. Das bedeutet, dass der Akku richtig mit dem Ladegerät verbunden ist.
- Wenn alle LEDs (A) am Akku leuchten, ist er vollständig aufgeladen.



- Um das Ladegerät von der Steckdose zu trennen, ziehen Sie den Netzstecker. Ziehen Sie nicht am Netzkabel.

- Nehmen Sie den Akku aus dem Ladegerät.

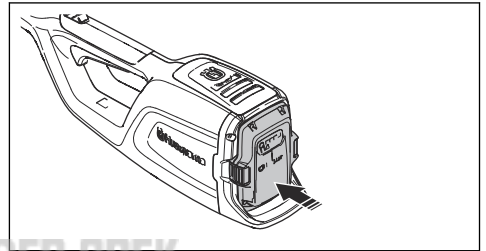
**Hinweis:** Weitere Informationen entnehmen Sie bitte den Bedienungsanleitungen für den Akku und das Ladegerät.

## So schließen Sie den Akku an das Gerät an



**WARNUNG:** Verwenden Sie im Gerät nur originale Husqvarna Akkus.

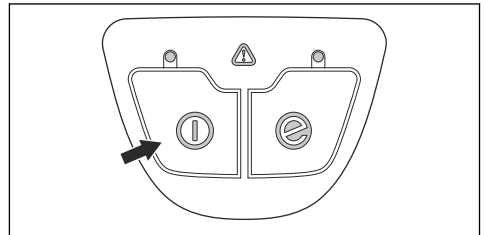
- Stellen Sie sicher, dass der Akku vollständig geladen ist.
- Legen Sie den Akku in das Akkufach des Geräts. Der Akku muss leicht in das Akkufach gleiten, anderenfalls ist er nicht korrekt eingesetzt.



- Drücken Sie den unteren Teil des Akkus vollständig in das Akkufach ein. Der Akku verriegelt sich mit einem hörbaren Klickgeräusch in der richtigen Position.
- Achten Sie darauf, dass die Riegel ordnungsgemäß einschnappen.

## So starten Sie das Gerät

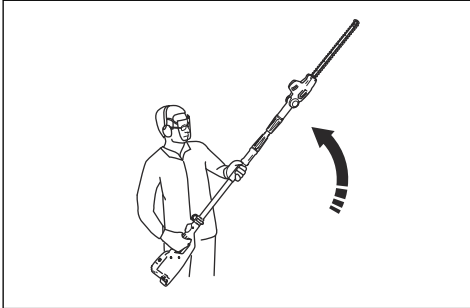
- Halten Sie die Start-/Stopptaste gedrückt, bis das grüne LED-Licht aufleuchtet.



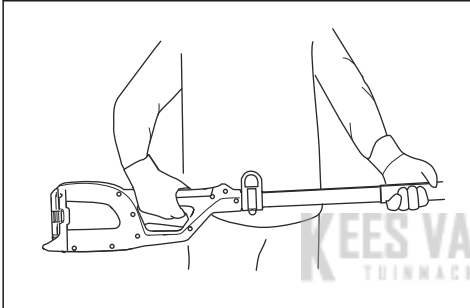
- Ziehen Sie die Gashebelsperre, und halten Sie den Gashebel.

## So bedienen Sie das Gerät

- Beginnen Sie in Bodennähe, und bewegen Sie das Gerät dann nach oben, wenn Sie die Seiten der Hecke scheiden.



- Halten Sie das Gerät für eine stabile Arbeitsposition nahe am Körper.

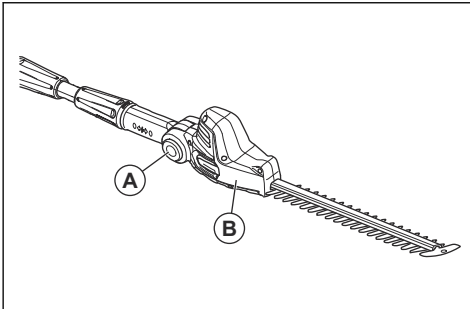


- Achten Sie darauf, dass die Spitze der Schneidausrüstung den Boden nicht berührt.
- Gehen Sie vorsichtig vor, und arbeiten Sie langsam, bis alle Äste korrekt geschnitten sind.

## So stellen Sie den Winkel der Schneidausrüstung ein

Die Schneidausrüstung lässt sich in 7 Stufen einstellen.

1. Stoppen Sie das Gerät und entfernen Sie den Akku.

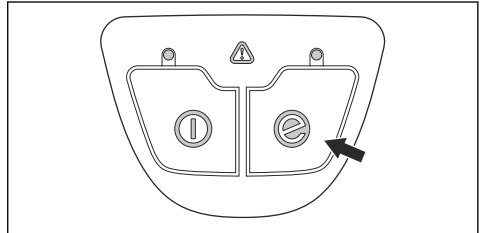


2. Halten Sie das Gehäuse (B) fest.
3. Drücken und halten Sie die Sperrknöpfe (A) an beiden Seiten des Gehäuses (B).
4. Bringen Sie die Schneidausrüstung in den richtigen Winkel.
5. Lösen Sie die Sperrknöpfe (A) an beiden Seiten.
6. Bewegen Sie das Gehäuse (B) nach oben und unten, bis die Schneidausrüstung einrastet.

## So starten Sie die SavE-Akkusparfunktion

Das Gerät verfügt über eine Energiesparfunktion (SavE). Die SavE-Funktion ermöglicht die längste Betriebszeit des Akkus.

1. Drücken Sie die SavE-Taste. Die LED leuchtet auf, wenn die Funktion aktiviert ist.



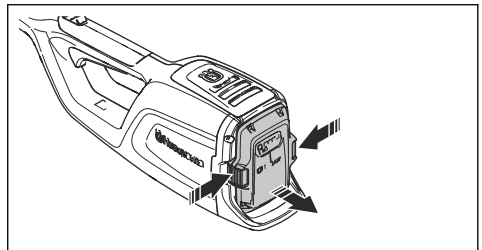
2. Drücken Sie die SavE-Taste (Energiespartaste) erneut, um die SavE-Funktion zu deaktivieren.

## Automatische Abschaltfunktion

Das Gerät verfügt über eine automatische Abschaltfunktion, die das Gerät anhält, wenn es nicht verwendet wird. Die grüne LED für die Start/Stop-Anzeige erlischt, und das Gerät stoppt nach 60 Sekunden.

## So stoppen Sie das Gerät

1. Lassen Sie den Gashebel los.
2. Drücken und halten Sie die Start-/Stopptaste, bis die grüne LED erlischt.
3. Entfernen Sie den Akku aus dem Gerät. Drücken Sie die beiden Entriegelungstasten, und ziehen Sie den Akku heraus.





# Wartung

## Einleitung



**WARNUNG:** Lesen Sie vor Wartungsarbeiten am Gerät das Kapitel über Sicherheit, und machen Sie sich damit vertraut.



**WARNUNG:** Entfernen Sie den Akku, bevor Sie Wartungsarbeiten am Gerät durchführen.

## Wartungsplan

Nachstehend sind die am Gerät vorzunehmenden Wartungsmaßnahmen aufgelistet.

Wartung	Vor der Verwendung	Wöchentlich	Monatlich
Die äußeren Teile des Geräts reinigen.	X		
Sicherstellen, dass der Start- und Stoppschalter funktionstüchtig und unbeschädigt ist.	X		
Sicherstellen, dass der Gashebel und die Gashebelsperre sicherheitstechnisch ordnungsgemäß funktionieren.	X		
Sicherstellen, dass alle Bedienelemente funktionieren und unbeschädigt sind.	X		
Sicherstellen, dass Klingenblatt und Klingenschutz keine Risse aufweisen und unbeschädigt sind. Klingenblatt oder Klingenschutz ersetzen, wenn sie Risse aufweisen oder Stößen ausgesetzt waren.	X		
Das Klingenblatt ersetzen, wenn es verbogen oder beschädigt ist.	X		
Sicherstellen, dass alle Schrauben und Muttern fest angezogen sind.	X		
Sicherstellen, dass der Akku unbeschädigt ist.	X		
Sicherstellen, dass der Akku vollständig geladen ist.	X		
Sicherstellen, dass das Akkuladegerät nicht beschädigt ist.	X		
Sicherstellen, dass die Schrauben, die die Klingenblätter zusammenhalten, korrekt angezogen sind.		X	
Die Verbindungen zwischen dem Akku und dem Gerät prüfen. Die Verbindung zwischen dem Akku und dem Akkuladegerät prüfen.			X

## So prüfen Sie den Akku und das Ladegerät

1. Untersuchen Sie den Akku auf Schäden, z. B. Risse.
2. Untersuchen Sie das Akkuladegerät auf Schäden, z. B. Risse.
3. Stellen Sie sicher, dass das Verbindungskabel des Akkuladegeräts nicht beschädigt ist und dass keine Risse vorhanden sind.

## So reinigen Sie das Gerät, den Akku und das Ladegerät

1. Reinigen Sie das Gerät nach jedem Gebrauch mit einem trockenen Tuch.
2. Reinigen Sie Akku und Ladegerät mit einem trockenen Tuch. Die Akkuführungsschienen sauber halten.
3. Stellen Sie sicher, dass die Klemmen an Akku und Ladegerät sauber sind, bevor der Akku in das Ladegerät oder das Gerät gesteckt wird.

## So überprüfen Sie die Trennscheibe

1. Reinigen Sie die Trennscheiben vor und nach dem Betrieb des Geräts mit einem Korrosionsschutzreinigungsmittel von unerwünschten Materialien.
2. Überprüfen Sie die Kanten der Trennscheibe auf Schäden oder Verformungen.
3. Entfernen Sie mit einer Feile Grate auf der Trennscheibe.
4. Stellen Sie sicher, dass sich die Trennscheiben frei bewegen können.

## So reinigen und schmieren Sie die Klängen

1. Reinigen Sie die Klängen vor und nach dem Betrieb des Geräts von unerwünschten Materialien.
2. Schmieren Sie vor der Langzeitaufbewahrung die Klängen.

**Hinweis:** Ihr Servicehändler steht Ihnen gerne für weitere Informationen zu empfohlenen Reinigungsmitteln und Schmierstoffen zur Verfügung.

## So schmieren Sie das Getriebe

Tragen Sie Schmierfett auf das Getriebegehäuse auf, wenn das Getriebe von einem autorisierten Servicehändler demontiert wurde.

- Verwenden Sie Husqvarna-Spezialfett. Ihr Servicehändler steht Ihnen gern für weitere Informationen zu empfohlenen Schmierfetten zur Verfügung.
- Verwenden Sie nur eine kleine Menge eines hochwertigen Spezialfetts.



**ACHTUNG:** Füllen Sie das Getriebegehäuse nicht vollständig.

## Fehlerbehebung

### Tastatur

LED-Bildschirm	Mögliche Fehler	Mögliche Abhilfe
Die Fehler-LED blinkt.	Überlastung	Die Schneidausrüstung ist nicht frei beweglich. Nehmen Sie die Schneidausrüstung ab.
Das Gerät springt nicht an.	Die Akkustecker sind verschmutzt.	Reinigen Sie die Akkustecker mit Druckluft oder einer weichen Bürste.
Die Fehler-LED leuchtet rot auf.	Das Gerät muss gewartet werden.	Wenden Sie sich an Ihren Servicehändler.

### Akku

LED-Anzeige	Mögliche Fehler	Mögliche Fehlerbehebung
Die grüne LED blinkt.	Geringe Akkuspannung.	Laden Sie den Akku.
Die Fehler-LED blinkt.	Temperaturabweichung.	Der Akku darf nur bei Temperaturen zwischen -10°C (14°F) und 40°C (104°F) verwendet werden.
	Überspannung.	Kontrollieren Sie, ob die Netzspannung mit der auf dem Typenschild des Geräts angegebenen Spannung übereinstimmt. Nehmen Sie den Akku aus dem Ladegerät.
Die Fehler-LED leuchtet.	Die Zellendifferenz ist zu groß (1 V).	Wenden Sie sich an Ihren Servicehändler.

## Akkuladegerät

Störung	Mögliche Fehler	Mögliche Abhilfe
Rote Fehler-LED blinkt	Temperaturabweichung.	Der Akku darf nur bei Temperaturen zwischen 5 °C und 40 °C verwendet werden.
Rote Fehler-LED leuchtet auf.	Die Zellendifferenz ist zu groß (1 V).	Wenden Sie sich an Ihren Servicehändler.

## Transport, Lagerung und Entsorgung

### Transport und Lagerung

- Die mitgelieferten Lithium-Ionen-Akkus entsprechen den Anforderungen des Gefahrgutrechts.
- Beachten Sie für den gewerblichen Transport, auch durch Dritte oder Speditionen, die gesonderten Anforderungen auf Verpackung und Etiketten.
- Sprechen Sie sich, bevor Sie das Gerät versenden, mit einer Person ab, die speziell im Gefahrgutversand geschult ist. Beachten Sie sämtliche geltende nationale Vorschriften.
- Bedecken Sie offene Kontakte mit Klebeband, wenn Sie den Akku in eine Verpackung legen. Stellen Sie sicher, dass der Akku in der Verpackung nicht verrutschen kann.
- Entnehmen Sie den Akku für die Lagerung oder den Transport.
- Bringen Sie den Akku und das Ladegerät an einem Ort unter, der trocken und frei von Feuchtigkeit und Frost ist.
- Lagern Sie den Akku nicht an einem Ort, an dem es zu elektrostatischen Entladungen kommen kann. Bewahren Sie den Akku nicht in einem Metallkasten auf.
- Stellen Sie bei der Lagerung des Akkus sicher, dass die Temperatur zwischen 5 °C/41 °F und 25 °C/ 77 °F liegt und der Akku keinem direkten Sonnenlicht ausgesetzt ist.
- Stellen Sie bei der Lagerung des Akkuladegeräts sicher, dass die Temperatur zwischen 5 °C/41 °F und 45 °C/113 °F liegt und das Ladegerät keinem direkten Sonnenlicht ausgesetzt ist.
- Das Ladegerät darf nur verwendet werden, wenn die Umgebungstemperatur zwischen 5 °C/41 °F und 40 °C/104 °F liegt.
- Laden Sie den Akku auf 30 bis 50 %, bevor Sie ihn über längere Zeit einlagern.
- Lagern Sie das Akkuladegerät in einem geschlossenen und trockenen Raum.
- Achten Sie bei der Lagerung darauf, dass sich der Akku nicht in unmittelbarer Nähe zum Ladegerät befindet. Kinder und andere nicht befugte Personen dürfen die Ausstattung nicht berühren. Verwahren Sie die Ausstattung in einem abschließbaren Raum.
- Reinigen Sie das Gerät und führen Sie umfassende Servicearbeiten durch, bevor Sie es längere Zeit einlagern.
- Verwenden Sie für das Gerät einen Transportschutz, um Verletzungen oder Schäden am Gerät bei Transport und Lagerung zu vermeiden.
- Befestigen Sie das Gerät während des Transports sicher.

### Entsorgung von Akku, Ladegerät und Gerät

Symbole auf dem Gerät oder seiner Verpackung zeigen an, dass dieses Gerät kein Hausmüll ist. Recyceln Sie es an einer Recyclingstation für elektrische und elektronische Geräte. So werden Umwelt- und Personenschäden vermieden.

Wenden Sie sich für weitere Informationen zum Recycling Ihres Geräts an Ihre örtlichen Behörden, Abfallentsorgungsunternehmen oder Ihren Händler.

## Technische Angaben

### Technische Daten

	120ITK4-H
Motor	

	<b>120ITK4-H</b>
Motortyp	PMDC 36V
<b>Gewicht</b>	
Gewicht ohne Akku, kg	4,6
Gewicht mit Akku (Standardakku BLi10), kg	5,3
<b>Geräuschemissionen<sup>7</sup></b>	
Schalleistungspegel, gemessen dB(A)	91,32
Schalleistungspegel, garantiert L <sub>WA</sub> dB (A)	94
<b>Schallpegel<sup>8</sup></b>	
Schalldruckpegel am Ohr des Bedieners, gemessen nach EN 62841-1 und EN 62841-4-2, dB (A):	81,3
<b>Vibrationspegel<sup>9</sup></b>	
Vibrationspegel (a <sub>n</sub> ), Griffe vorn/hinten, m/s <sup>2</sup> Siehe EN 62841-1 und EN 62841-4-2.	1,223/0,816
<b>Schneidausrüstung</b>	
Typ	Doppelseitig
Klingenlänge, mm	500
Klingengeschwindigkeit, Schnitte/min im SavE-Modus	2.250
Klingengeschwindigkeit, Schnitte/min nicht im SavE-Modus	2.800

KEES VAN DER SPEK  
TUINMACHINES \* STOLWIJK

## Zugelassene Ladegeräte

Akkuladegerät	QC80
Eingangsspannung, V	100-240
Frequenz, Hz	50-60
Leistung, W	100
Ausgangsspannung, V DC/A	36/2

<sup>7</sup> Umweltbelastende Geräuschemissionen, gemessen als Schalleistung (L<sub>WA</sub>) gemäß EG-Richtlinie 2000/14/EG. Die Differenz zwischen garantiertem und gemessenem Schalleistungspegel besteht darin, dass beim garantierten Schalleistungspegel auch eine Streuung im Messergebnis und Variationen zwischen verschiedenen Geräten desselben Modells gemäß der Richtlinie 2000/14/EG berücksichtigt werden.

<sup>8</sup> Die typische Ausbreitungsklasse für einen äquivalenten Schalldruckpegel ist eine standardmäßige Ausbreitung von 3 dB (A).

<sup>9</sup> Berichten zufolge liegt der Vibrationspegel normalerweise bei einer Ausbreitungsklasse (Standardabweichung) von 1,5 m/s<sup>2</sup>.

Der angegebene Vibrationsgesamtwert wurde gemäß einer Standardtestmethode gemessen und kann zum Vergleich von Werkzeugen herangezogen werden.

Der angegebene Vibrationsgesamtwert kann auch bei der vorläufigen Beurteilung der Exposition verwendet werden.

## Zugelassene Akkus für das Gerät

Akku	BLI10
Typ	Lithium-Ionen
Akkukapazität, Ah	Siehe Aufkleber zur Akkukapazität
Nennspannung, V	36
Gewicht, kg	0,7

**KEES VAN DER SPEK**  
TUINMACHINES ★ STOLWIJK

---

# EU-Konformitätserklärung

---

## EU-Konformitätserklärung

**Husqvarna AB**, SE-561 82 Huskvarna, Schweden, Tel.: +46-36-146500, erklärt hiermit, dass die Teleskop-Heckenschere **Husqvarna 120ITK4-H** mit Seriennummer ab 2021 (die Jahreszahl wird im Klartext auf dem Typenschild angegeben, mitsamt einer nachfolgenden Seriennummer) den Vorschriften der RICHTLINIE DES RATES entspricht:

- „Maschinen-Richtlinie“ **2006/42/EG** vom 17. Mai 2006.
- Richtlinie „über elektromagnetische Verträglichkeit“ **2014/30/EU** vom 26. Februar 2014.
- Richtlinie zur „Beschränkung der Verwendung bestimmter gefährlicher Stoffe“, **2011/65/EU** vom 8. Juni 2011.

Die folgenden Normen werden erfüllt:

**EN 62841-1:2015, EN 62841-4-2:2019, EN 55014-1:2017+A11, EN 55014-2:2015, CISPR12:2007+A1 2009, EN IEC 63000:2018.**

TÜV Rheinland LGA Products GmbH, Tillystrasse 2, D-90431 Nuernberg, Germany hat im Auftrag von Husqvarna AB eine freiwillige Typenprüfung durchgeführt. Das Zertifikat hat die Nummer: **AM 50491653 0001**.

Huskvarna 2020-12-30

**KEES VAN DER SPEK**  
TUINMACHINES \* STOLWIJK



Pär Martinsson, Entwicklungsleiter (bevollmächtigter Vertreter für Husqvarna AB, verantwortlich für die technische Dokumentation)

# Contenido

Introducción.....	55	Resolución de problemas.....	68
Seguridad.....	57	Transporte, almacenamiento y eliminación.....	69
Montaje.....	64	Datos técnicos.....	70
Funcionamiento.....	65	Declaración de conformidad CE.....	72
Mantenimiento.....	67		

# Introducción

## Descripción del producto

El Husqvarna 120iTK4-H es un cortasetos telescópico con batería.

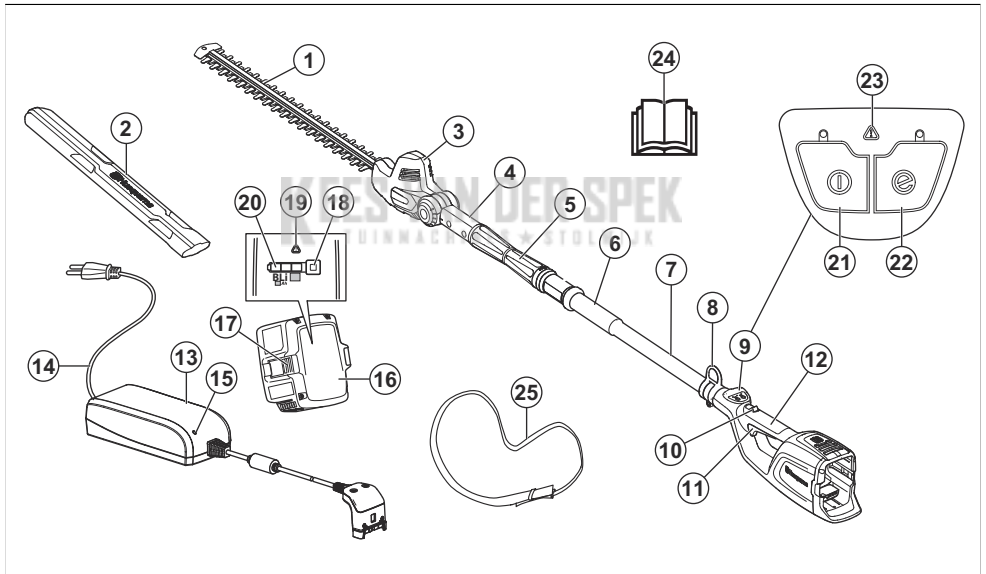
Trabajamos constantemente para mejorar la seguridad y la eficiencia durante el uso del producto. Póngase en

contacto con su distribuidor para obtener más información.

## Uso previsto

Utilice el producto para cortar ramas y ramitas. No utilice el producto para otras tareas.

## Descripción del producto



1. Cuchilla
2. Protección para transportes
3. Caseta
4. Mango de posición tras separación
5. Función telescópica.
6. Mango delantero
7. Eje
8. Gancho de sujeción del arnés
9. Teclado
10. Bloqueo del gatillo de alimentación
11. Gatillo de alimentación
12. Mango trasero
13. Cargador de baterías
14. Cable
15. LED de encendido/advertencia
16. Batería
17. Botones para extraer la batería
18. Botón indicador de la batería
19. LED de advertencia
20. LED indicador de la batería
21. Interruptor de arranque/parada
22. Botón Save

- 23. LED de advertencia
- 24. Manual de usuario
- 25. Arnés

## Símbolos que aparecen en el producto



¡ADVERTENCIA! Este producto es peligroso. Si el producto no se usa con cuidado y de la forma correcta, el usuario o las personas que se encuentren cerca pueden sufrir lesiones personales o incluso la muerte. Para evitar lesiones graves al usuario o a cualquier persona que se encuentre cerca, lea y cumpla todas las instrucciones de seguridad descritas en el manual de usuario. Lea detenidamente el manual de usuario y asegúrese de que entiende las instrucciones antes de usar la máquina.



Utilice un casco protector si trabaja en un lugar donde puedan caerle objetos. Utilice protección auditiva homologada. Utilice protección ocular homologada.



Utilice guantes protectores homologados.



El producto cumple con las directivas CE vigentes.



Tensión nominal, V



Corriente continua.



No exponer a la lluvia.



Mantenga las manos alejadas de la cuchilla



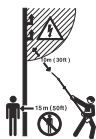
Función telescópica.



Función de separación.



Gire el mango de fijación hacia la izquierda para aflojarlo y hacia la derecha para apretarlo.



Este producto no tiene aislamiento. Si el producto entra en contacto o está en las proximidades de cables de alta tensión, puede provocar la muerte o lesiones graves. La corriente puede ser transmitida de un punto a otros puntos formando un arco de tensión. Cuanto mayor sea la tensión, a mayor distancia se podrá transmitir la corriente. La corriente también puede ser transmitida a través de ramas y otros objetos, especialmente si están mojados. Mantenga siempre una distancia mínima de 10 metros entre el producto y los cables de alta tensión u objetos que estén en contacto con los mismos. Si debe trabajar en esta distancia de seguridad, póngase siempre en contacto con la central eléctrica para cerciorarse de que la tensión está desconectada antes de empezar a trabajar. Mantenga una distancia mínima de 15 m con otras personas o animales mientras trabaja.

aaaassxxxx

En la placa de características se indica el número de serie. **aaaa** es el año de producción y **ss** es la semana de producción.

**Nota:** El resto de símbolos/etiquetas que aparecen en el producto corresponden a requisitos de homologación específicos en algunos mercados.

## Símbolos que aparecen en la batería o en el cargador de la batería



Recicle el producto en un centro de reciclaje para equipos eléctricos y electrónicos. (Aplicable solo para Europa)



Transformador a prueba de fallos.



Utilice y guarde el cargador de baterías únicamente en interiores.



Doble aislamiento.



## Responsabilidad sobre el producto

Como se estipula en las leyes de responsabilidad del producto, no nos hacemos responsables de los daños y perjuicios causados por nuestro producto si:

- El producto se ha reparado incorrectamente.
- El producto se ha reparado con piezas que no eran del fabricante o no autorizadas por el fabricante.
- El producto tiene un accesorio que no es del fabricante o no está autorizado por este.
- El producto no se ha reparado en un centro de servicio autorizado o por un organismo homologado.

---

## Seguridad

---

### Definiciones de seguridad

Las advertencias, precauciones y notas se utilizan para destacar información especialmente importante del manual.



**ADVERTENCIA:** Indica un riesgo de lesiones o incluso de muerte del usuario o de las personas cercanas si no se respetan las instrucciones del manual.



**PRECAUCIÓN:** Indica un riesgo de daños en el producto, otros materiales o el área adyacente si no se respetan las instrucciones del manual.

**Nota:** Se usa para proporcionar más información necesaria en una situación determinada.

### Advertencias generales de seguridad relacionadas con la herramienta eléctrica



**ADVERTENCIA:** Lea todas las advertencias e instrucciones de seguridad. El incumplimiento de las advertencias e instrucciones de seguridad puede ocasionar descargas eléctricas, incendios o lesiones graves.

**Nota:** Conserve todas las advertencias e instrucciones para su consulta. El término «herramienta eléctrica» empleado en las advertencias hace referencia a una herramienta eléctrica que funciona con conexión a la red de suministro (con cable) o a una herramienta que funciona con batería (sin cable).

### Seguridad en el área de trabajo

- **Mantenga el área de trabajo limpia y bien iluminada.** Las zonas abarrotadas de cosas u oscuras favorecen los accidentes.
- **No maneje herramientas eléctricas en ambientes explosivos como aquellos en los que hay líquidos, gases o polvo inflamables.** Las herramientas eléctricas producen chispas que pueden inflamar el polvo o los vapores.

- **Mantenga alejados a los niños y a otras personas mientras trabaja con una herramienta eléctrica.** Las distracciones pueden hacer que pierda el control de esta.

### Seguridad eléctrica

- **Los enchufes de las herramientas eléctricas deben corresponder a la toma de corriente utilizada. Nunca modifique el enchufe. No utilice adaptadores para las herramientas eléctricas con conexión a tierra.** Los enchufes sin modificar y las tomas de corriente del mismo tipo ayudan a reducir el riesgo de descarga eléctrica.
- **Evite el contacto de su cuerpo con superficies puestas a tierra como tuberías, radiadores, cocinas y neveras.** Si su cuerpo está en contacto con el suelo, existe un mayor riesgo de descarga eléctrica.
- **No exponga las herramientas eléctricas a la lluvia o a ambientes húmedos.** El riesgo de recibir descargas eléctricas aumentará si penetra agua en la herramienta eléctrica.
- **Maneje el cable con cuidado. No lo utilice nunca para transportar, tirar o desenchufar la herramienta eléctrica. Manténgalo alejado de fuentes de calor, aceite, aristas vivas o piezas móviles.** Los cables dañados o enredados incrementan el riesgo de descarga eléctrica.
- **Cuando trabaje con una herramienta eléctrica en exteriores, utilice un alargador indicado para este uso.** Utilizar un cable adecuado para su uso en exteriores reduce el riesgo de descarga eléctrica.
- **Si es necesario utilizar una herramienta eléctrica en un lugar húmedo, utilice suministro eléctrico protegido con un interruptor diferencial.** La utilización de un interruptor diferencial reduce el riesgo de descargas eléctricas.

### Seguridad personal

- **Esté siempre atento, fíjese en lo que está haciendo y utilice el sentido común cuando maneje una herramienta eléctrica. No utilice herramientas eléctricas si está cansado o bajo los efectos de estupefacientes, alcohol o medicamentos.** Un momento de descuido, mientras se trabaja con herramientas eléctricas, puede causar lesiones graves.
- **Utilice el equipo de protección individual. Protéjase siempre los ojos.** El equipo de protección, como la mascarilla antipolvo, los zapatos de seguridad antideslizantes, el casco o los protectores auditivos,

utilizados en función de las condiciones de trabajo, reducirá el riesgo de lesiones.

- **Evite el encendido accidental de la herramienta. Asegúrese de que el interruptor está en la posición de apagado antes de conectar la máquina a la fuente de alimentación o la batería, cogerla o transportarla.** Transportar herramientas eléctricas con el dedo puesto sobre el interruptor o encenderlas con el interruptor en la posición de encendido puede provocar accidentes.
- **Quite todas las clavijas de ajuste o llaves de tuercas antes de encender la herramienta eléctrica.** Una llave de tuercas o clavija de ajuste que se ha dejado colocada en una pieza giratoria de la herramienta eléctrica puede causar lesiones.
- **No se estire demasiado. Mantenga una posición correcta y el equilibrio en todo momento.** Esto le permitirá controlar mejor la herramienta eléctrica en situaciones imprevistas.
- **Utilice la ropa adecuada. No utilice nunca ropa amplia ni joyas. Mantenga el pelo y la ropa alejados de las piezas móviles.** La ropa amplia, las joyas o el pelo largo pueden quedar atrapados en las piezas móviles.
- **Si se suministran equipos de aspiración o captación de polvo, asegúrese de que estén conectados y se utilicen correctamente.** El uso de estos equipos puede reducir los riesgos derivados del polvo.
- **Evite que la familiaridad adquirida con el uso frecuente de las herramientas le lleve a confiarse e ignorar las medidas de seguridad al utilizarlas.** Una acción negligente puede causar lesiones graves en una fracción de segundo.
- La emisión de vibración durante el uso de la herramienta eléctrica puede ser diferente del valor indicado en función del uso de la misma. El usuario debe conocer las medidas de seguridad necesarias que se basan en una estimación de la exposición en condiciones de uso reales (teniendo en cuenta todas las partes del ciclo de funcionamiento, como el periodo en que la herramienta está apagada y el funcionamiento en ralentí además del gatillo).

## Uso y cuidado de la herramienta eléctrica

- **No sobrecargue la herramienta eléctrica. Utilice la herramienta eléctrica adecuada para el trabajo que debe realizar.** Con la herramienta eléctrica apropiada hará el trabajo mejor y con mayor seguridad a la potencia para la que fue diseñada.
- **No utilice la herramienta eléctrica si el interruptor no funciona.** Las herramientas que no se puedan controlar con el interruptor son peligrosas y deben repararse.
- **Desconecte el enchufe de la fuente de alimentación o la batería de la herramienta eléctrica antes de realizar cualquier ajuste, cambiar accesorios o guardarla.** Estas medidas de seguridad preventivas reducen el riesgo de encendido accidental de la herramienta eléctrica.

- **Guarde las herramientas eléctricas que no se utilicen fuera del alcance de los niños y no permita que personas no familiarizadas con su uso o con estas instrucciones las manejen.** Las herramientas eléctricas resultan peligrosas en manos de usuarios no cualificados.
- **Cuide las herramientas. Compruebe que no haya partes móviles mal alineadas o trabadas, piezas rotas o cualquier otra circunstancia que pueda afectar al funcionamiento de la herramienta eléctrica. Si detecta daños, haga reparar la herramienta eléctrica antes de utilizarla.** Muchos accidentes se deben al uso de herramientas eléctricas que carecen de un mantenimiento adecuado.
- **Mantenga las herramientas de corte afiladas y limpias.** Las herramientas de corte con aristas afiladas y un mantenimiento adecuado tienen menos probabilidades de trabarse y son más fáciles de controlar.
- **Utilice la herramienta eléctrica, los accesorios, útiles, etc., según se indica en estas instrucciones, teniendo en cuenta las condiciones de trabajo y la tarea que debe realizar.** El uso de la herramienta eléctrica para trabajos distintos a aquellos para los que fue diseñada podría dar lugar a situaciones peligrosas.
- **Mantenga los mangos y superficies de agarre secos, limpios y sin aceite ni grasa.** Las superficies de agarre y los mangos resbaladizos no permiten manejar y controlar de forma segura la herramienta ante cualquier imprevisto.

## Uso y cuidado de la herramienta con batería

- **Efectúe las recargas únicamente con el cargador especificado por el fabricante.** Un cargador apto para un tipo de batería puede comportar riesgo de incendio al utilizarse con otra batería distinta.
- **Utilice las herramientas eléctricas únicamente con las baterías específicas para ellas.** El uso de otra batería puede comportar riesgo de lesiones e incendio.
- **Cuando no utilice la batería, manténgala alejada de objetos metálicos que puedan conectar un terminal a otro, como clips, monedas, llaves, clavos, tornillos u otros objetos metálicos pequeños.** Un cortocircuito en los terminales de la batería puede causar quemaduras o un incendio.
- **En condiciones extremas, el líquido puede salir expulsado de la batería; evite cualquier contacto. Si se produjera un contacto accidentalmente, enjuáguese con agua. Además, si el líquido entra en contacto con los ojos, busque asistencia médica.** El líquido expulsado de la batería puede causar irritaciones o quemaduras.
- **No utilice una batería o herramienta defectuosa, dañada o modificada.** Las baterías dañadas o modificadas pueden comportarse de forma impredecible y provocar incendios, explosiones o riesgo de lesiones.

- **No exponga la batería o la herramienta al fuego ni a temperaturas excesivas.** La exposición al fuego o a temperaturas superiores a 130 °C/265 °F puede causar una explosión.
- **Siga todas las instrucciones de carga y no cargue la batería o herramienta fuera del rango de temperatura especificado en las instrucciones.** La carga incorrecta o a temperaturas fuera del intervalo especificado puede dañar la batería y aumentar el riesgo de incendio.
- **Para reducir el riesgo de electrocución, no utilice nunca el cortasetos con mango extensible cerca de líneas eléctricas.** El contacto con líneas eléctricas, o la utilización cerca de estas, puede causar graves lesiones personales o una descarga eléctrica mortal.
- **Utilice siempre las dos manos para trabajar con el cortasetos con mango extensible.** Sujete el cortasetos con mango extensible con ambas manos para minimizar el riesgo de perder el control del aparato.
- **Utilice siempre un casco protector cuando utilice el cortasetos con mango extensible por encima de su cabeza.** La caída de restos puede provocar graves lesiones personales.

## Servicio técnico

- **Solicite que su herramienta eléctrica sea reparada por personal cualificado y utilizando únicamente piezas de repuesto originales.** Esto garantizará la seguridad de la herramienta.
- **No revise baterías dañadas.** La revisión de las baterías solo debe realizarla el fabricante o proveedores de servicios autorizados.

## Instrucciones de seguridad para el cortasetos

- **Mantenga todas las partes del cuerpo lejos de las cuchillas. No retire el material cortado ni sujete el material que vaya a cortar mientras las cuchillas estén en movimiento.** Las cuchillas pueden seguir girando tras apagar el equipo. Si se descuida mientras se trabaja con el cortasetos, puede causar lesiones graves.
- **Mueva el cortasetos por el mango con la cuchilla detenida y tenga cuidado de no activar el interruptor de encendido.** De esta forma, se reducirá el riesgo de arranque accidental del cortasetos y de daños personales causados por las cuchillas.
- **Coloque siempre la cubierta de la cuchilla cuando transporte o almacene el cortasetos.** Manipular el cortasetos de manera adecuada reducirá el riesgo de daños personales causados por las cuchillas.
- **Al retirar el material atascado o realizar el mantenimiento de la unidad, asegúrese de que todos los interruptores de alimentación están apagados y el cable de alimentación está desconectado.** El accionamiento inesperado del cortasetos mientras retira el material atascado o efectúa tareas de mantenimiento puede provocar daños personales graves.
- **Sujete el cortasetos únicamente por las superficies de agarre aisladas, ya que la cuchilla puede entrar en contacto con algún cable oculto o con el suyo propio.** Si las cuchillas entran en contacto con un cable con corriente, el usuario puede sufrir una descarga eléctrica si toca alguna de las partes metálicas del cortasetos.
- **Mantenga todos los cables alejados de la zona de corte.** Los cables pueden quedar ocultos en los setos o arbustos y la cuchilla puede cortarlos accidentalmente.
- **No utilice el cortasetos si las condiciones meteorológicas no son adecuadas, especialmente si hay riesgo de tormenta eléctrica.** Esto disminuye el riesgo de recibir un rayo.

## Instrucciones generales de seguridad



**ADVERTENCIA:** Lea las siguientes instrucciones de advertencia antes de utilizar el producto.

- Extraiga la batería para evitar que el producto se arranque accidentalmente.
- Este producto es una herramienta peligrosa si no se usa con cuidado o si se utiliza de forma incorrecta. Este producto puede ocasionar lesiones graves o mortales tanto al operador como a cualquier otra persona.
- No utilice el producto si se ha modificado respecto de sus especificaciones iniciales. No cambie una parte del producto sin la autorización del fabricante. Utilice únicamente las piezas que están autorizadas por el fabricante. Las lesiones o la muerte son un posible resultado de un mantenimiento incorrecto.
- Compruebe el producto antes de utilizarlo. Consulte *Dispositivos de seguridad en el producto en la página 62 y Mantenimiento en la página 67*. No utilice un producto defectuoso. Lleve a cabo las comprobaciones de seguridad y siga las instrucciones de mantenimiento y servicio descritas en este manual.
- Debe vigilarse a los niños para asegurarse de que no juegan con el producto. No permita nunca que los niños ni otras personas sin formación utilicen o reparen el producto o su batería. La legislación local regula la edad del usuario.
- Mantenga el producto en un área cerrada para impedir el acceso a niños o personas no autorizadas.
- Guarde el producto lejos del alcance de los niños.
- Bajo ninguna circunstancia debe modificarse la configuración original del producto sin autorización del fabricante. Utilice siempre accesorios originales. Las modificaciones o la utilización de accesorios no autorizados pueden ocasionar accidentes graves o incluso la muerte del operario o de terceros.

**Nota:** El uso podría estar regulado por la legislación nacional o local. Observe los reglamentos indicados.

## Instrucciones de seguridad para el funcionamiento



**ADVERTENCIA:** Lea las siguientes instrucciones de advertencia antes de utilizar el producto.

- Cuando se vea en una situación insegura para continuar el trabajo, debe consultar a un experto. Póngase en contacto con su distribuidor o taller de servicio. Evite todo uso para el cual no se sienta suficientemente calificado.
- Nunca utilice el producto si está cansado, si ha ingerido alcohol o si toma medicamentos que puedan afectarle a la vista, la capacidad de reacción, la coordinación o el discernimiento.
- Trabajar con mal tiempo es fatigoso y a menudo añade riesgos innecesarios. A causa del riesgo añadido, no se recomienda utilizar la máquina con muy mal tiempo como, por ejemplo, con niebla densa, lluvia intensa, vientos fuertes, frío extremo o riesgo de tormenta eléctrica, etc.
- Un equipo de corte defectuoso puede aumentar el riesgo de accidentes.
- No permita nunca que los niños utilicen el producto ni que permanezcan cerca de este. La máquina es muy fácil de arrancar y los niños podrían hacerlo si no se les vigila lo suficiente. Ello puede comportar riesgo de daños personales graves. Desconecte la batería cuando el producto no esté bajo control.
- Mientras esté trabajando, evite que cualquier persona o animal se acerque a menos de 15 metros. Si hay varios operadores trabajando en el mismo lugar, la distancia de seguridad debe ser de al menos 15 metros. De lo contrario, existe el riesgo de daños personales graves. Pare el producto inmediatamente si alguien se acerca. Nunca se dé la vuelta con el producto si no ha verificado antes que no hay nadie detrás, dentro de la zona de seguridad.
- Asegúrese de que nadie, ningún animal ni ningún objeto puedan afectar al control sobre el producto, y que no puedan entrar en contacto con el equipo de corte ni con objetos sueltos que salgan despedidos por la acción del equipo de corte. No use el producto a no ser que sea capaz de pedir ayuda en caso de accidente.
- Inspeccione siempre la zona de trabajo. Quite todos los materiales sueltos como piedras, cristales rotos, clavos, alambres, cordones, etc., que puedan salir despedidos o enredarse en el equipo de corte.
- Compruebe que pueda caminar y mantenerse de pie con seguridad. Observe si hay eventuales impedimentos para desplazamientos previstos (raíces, piedras, ramas, zanjas, etc.). Proceda con sumo cuidado al trabajar en terreno inclinado.
- Manténgase bien parado y con buen equilibrio en todo momento. No se estire demasiado.
- Si va a trasladarse de un lugar a otro, apague primero el producto. Fije la protección para transportes cuando el producto no esté en uso.
- Nunca deje el producto en el suelo, a menos que lo haya apagado. No deje el producto desatendido mientras esté en funcionamiento.
- Retire la batería antes de entregar el producto a otra persona.
- Procure que ninguna prenda de vestir ni ninguna parte del cuerpo entren en contacto con el equipo de corte cuando el producto está activado.
- Si algo se atasca en el equipo de corte mientras se trabaja con el producto, deténgalo y apáguelo. Asegúrese de que el equipo de corte se detiene por completo. Quite la batería antes de limpiar, inspeccionar o reparar el producto o el equipo de corte.
- Cuando el producto se desactive, mantenga las manos y los pies alejados del equipo de corte hasta que se haya detenido por completo.
- Tenga cuidado con los trozos de rama que pueden salir despedidos durante el corte. No corte demasiado cerca del suelo cuando haya piedras u otros objetos que puedan salir despedidos.
- Cuidado con los objetos que salen despedidos. Se debe utilizar siempre protección ocular homologada. No se incline nunca sobre la protección del equipo de corte. La máquina puede lanzar piedras, basura, etc., contra los ojos y causar ceguera o daños graves.
- Cuando use protectores auriculares, preste siempre atención a las señales o llamadas de advertencia. Qúitese siempre la protección de los oídos en cuanto se detenga el motor del producto.
- No trabaje nunca desde una escalera, taburete u otra posición elevada que no tenga un apoyo completamente seguro.
- Esta máquina genera un campo electromagnético durante el funcionamiento. Este campo magnético puede, en determinadas circunstancias, interferir con implantes médicos activos o pasivos. Para reducir el riesgo de lesiones graves o letales, las personas que utilizan implantes médicos deben consultar con su médico y con el fabricante del implante médico antes de emplear esta máquina.
- Sujete siempre el producto con ambas manos. Mantenga el producto en el lado derecho del cuerpo.
- Pare siempre el producto, quite la batería y asegúrese de que el equipo de corte no gire antes de quitar el material enredado alrededor del eje de la hoja o atrapado entre la protección y el equipo de corte.
- El campo electromagnético durante el funcionamiento puede interferir con implantes médicos activos o pasivos. Las personas con implantes médicos deben ponerse en contacto con su médico y con el fabricante del implante médico antes de utilizar este producto.

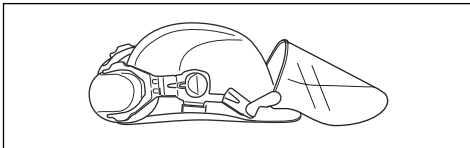
- Mantenga el peso del producto con el arnés para que sea fácil de manejar.
- La exposición prolongada al ruido puede causar daños crónicos en el oído. Husqvarna recomienda que los operarios utilicen protección auditiva aprobada.
- No utilice nunca un producto que haya sido modificado de modo que ya no coincida con la configuración original.
- No utilice nunca un producto defectuoso. Lleve a cabo las comprobaciones de seguridad y siga las instrucciones de mantenimiento y servicio de este manual. Algunas medidas de mantenimiento y servicio deben ser efectuadas por especialistas formados y cualificados. Consulte las instrucciones del apartado Mantenimiento.
- Lleve a cabo una inspección general del producto antes de su uso. Observe el programa de mantenimiento.
- Nunca deje que otras personas utilicen la máquina sin asegurarse primero de que hayan leído y entendido el contenido de este manual de usuario.
- Compruebe que no haya objetos extraños en el área de trabajo, como cables eléctricos o animales, etc., u otros objetos que puedan dañar el equipo de corte, por ejemplo objetos de metal.
- Las cuchillas defectuosas pueden aumentar el riesgo de accidentes.

### Personal protective equipment



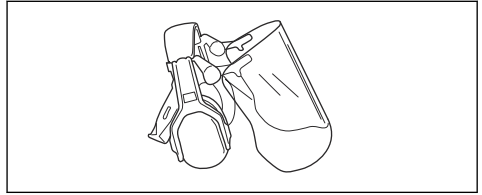
**ADVERTENCIA:** Lea las siguientes instrucciones de advertencia antes de utilizar el producto.

- Para trabajar con el producto, debe utilizar siempre un equipo de protección personal homologado. El equipo de protección personal no elimina completamente el riesgo de lesiones, pero reduce la gravedad de las lesiones en caso de accidente. Deje que el distribuidor le ayude a seleccionar el equipo adecuado.
- Use un casco protector cuando exista el riesgo de que caigan objetos.



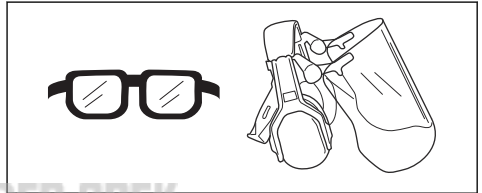
- La exposición prolongada al ruido puede causar daños en el oído. En general, los productos con batería son relativamente silenciosos, pero pueden causar daños debido al nivel de ruido y a un uso prolongado. Husqvarna recomienda que los operarios utilicen protectores auriculares al trabajar con el producto durante varias horas al día. Los usuarios que trabajen de forma continua y frecuente

con el producto deben someterse a chequeos auditivos con carácter periódico.

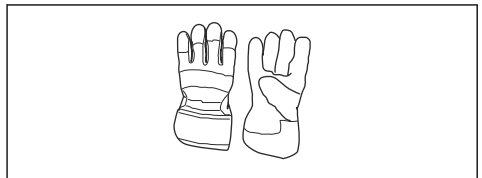


**ADVERTENCIA:** Los protectores auditivos reducen la capacidad de escuchar sonidos y señales de advertencia.

- Utilice protección ocular homologada. Si se utiliza visor, deben utilizarse también gafas protectoras homologadas. Por gafas protectoras homologadas se entienden las que cumplen con la norma ANSI Z87.1 para EE. UU. o EN 166 para países de la UE.



- Utilice guantes cuando sea necesario, por ejemplo, para el montaje, inspección o limpieza del equipo de corte.



- Use indumentaria de material resistente. Use siempre pantalones largos y gruesos, y mangas largas. No lleve ropa suelta que pueda quedar atrapada en los arbustos y ramas. No trabaje con joyas, pantalones cortos, sandalias ni los pies descalzos. Recójase el pelo por encima de los hombros.
- Mantenga el equipo de primeros auxilios cerca.



## Dispositivos de seguridad en el producto



**ADVERTENCIA:** Lea las siguientes instrucciones de advertencia antes de utilizar el producto.

En este apartado se describen los componentes de seguridad del producto, su función y el modo de efectuar el control y el mantenimiento para garantizar un funcionamiento óptimo. Consulte las instrucciones bajo el título *Descripción del producto en la página 55* para ver dónde están situados estos componentes en su máquina.

La vida útil del producto puede acortarse y el riesgo de accidentes puede aumentar si el mantenimiento no se hace de forma adecuada y si los trabajos de servicio y reparación no se efectúan de forma profesional. Si necesita más información, solicítela al distribuidor de su zona



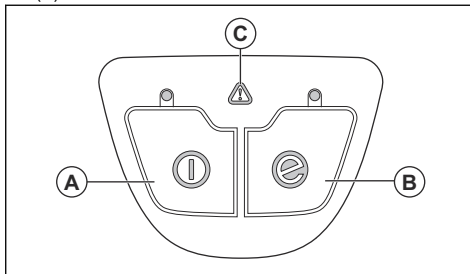
**ADVERTENCIA:** No emplee nunca un producto con equipo de seguridad defectuoso. Efectúe la inspección y el mantenimiento del equipo de seguridad del producto tal como se describe en este apartado. Si el producto no supera cualquiera de estas pruebas, póngase en contacto con el taller de servicio para repararla.



**PRECAUCIÓN:** Todos los trabajos de servicio y reparación de la máquina requieren una formación especial. Esto es especialmente cierto en lo que respecta al equipo de seguridad del producto. Si la máquina no pasa alguno de los controles indicados a continuación, acuda a su taller de servicio local. La compra de alguno de nuestros productos le garantiza que puede recibir un mantenimiento y servicio profesional. Si no ha adquirido la máquina en una de nuestras tiendas especializadas con servicio, solicite información sobre el taller de servicio más cercano.

## Comprobación del teclado

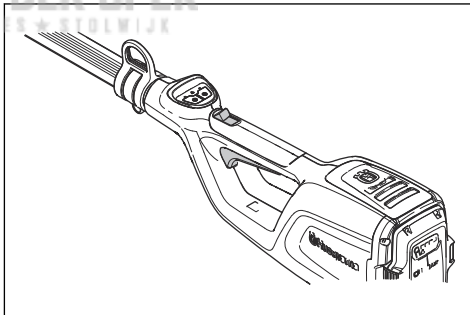
1. Mantenga presionado el botón de arranque/parada (A).



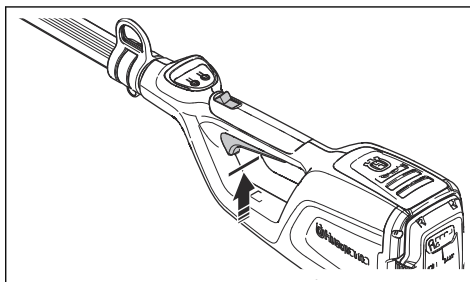
- a) El producto está encendido cuando el LED está iluminado.
  - b) El producto está apagado cuando el LED no está iluminado.
2. Consulte la función del botón SavE (B) en *Activación de la función SavE en la página 66*.
  3. Consulte *Resolución de problemas en la página 68* si el indicador de advertencia (C) se enciende o parpadea.

## Comprobación del bloqueo del gatillo de alimentación

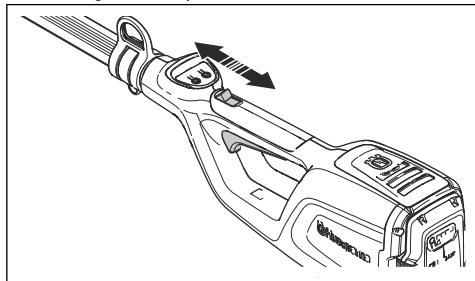
El bloqueo del gatillo impide el encendido accidental. Al soltar el mango, el gatillo de alimentación y el bloqueo vuelven a su posición inicial.



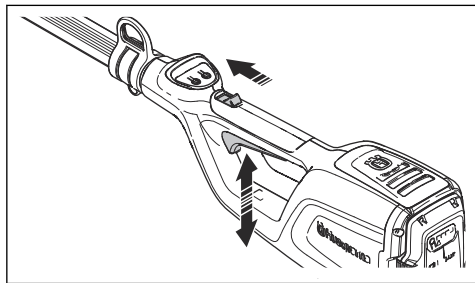
1. Asegúrese de que el gatillo de alimentación está bloqueado cuando el bloqueo está en la posición inicial.



2. Tire del bloqueo y suéltelo, asegurándose de que este regresa a su posición inicial.



3. Compruebe que el gatillo de alimentación y el bloqueo se mueven sin problemas y que el muelle de retorno funciona correctamente.



4. Arranque el producto; consulte *Arranque del producto en la página 66*.
5. Acelere al máximo.
6. Suelte el gatillo de alimentación y asegúrese de que el equipo de corte se detiene completamente.

## Seguridad de la batería



**ADVERTENCIA:** Lea las siguientes instrucciones de advertencia antes de utilizar el producto.

- Le recomendamos que use la batería BLi10. Consulte la sección *Datos técnicos en la página 70*. La batería está codificada mediante cifrado por software.
- Utilice la batería recargable BLi10 como fuente de alimentación solo para los productos Husqvarna relacionados. Para evitar lesiones, no utilice la batería como fuente de alimentación de otros dispositivos.
- Riesgo de descarga eléctrica. No conecte los terminales de la batería a llaves, monedas, tornillos u otros objetos metálicos. Esto puede provocar un cortocircuito en la batería.
- No utilice baterías no recargables.
- No coloque objetos en las ranuras de ventilación de la batería.

- Mantenga la batería lejos de la luz directa del sol, de fuentes de calor o de llamas abiertas. La batería puede provocar quemaduras o quemaduras químicas.
- Mantenga la batería resguardada de la lluvia y la humedad.
- Mantenga la batería lejos de microondas y fuentes de alta presión.
- No intente desmontar o romper la batería.
- Si se produce una fuga en la batería, no permita que el líquido entre en contacto con el cuerpo ni con los ojos. Si toca el líquido, limpie el área con abundante agua y jabón, y solicite atención médica. Si el líquido entra en contacto con los ojos, no los frote: enjuáguelos con abundante agua durante al menos 15 minutos y solicite atención médica.
- Utilice la batería con temperaturas entre -10 °C (14 °F) y 40 °C (114 °F).
- No limpie la batería o el cargador con agua. Consulte la sección *Para limpiar el producto, la batería y el cargador de la batería en la página 68*.
- No utilice una batería defectuosa o dañada.
- Guarde la batería alejada de objetos metálicos, como clavos, tornillos o joyas.
- Mantenga la batería alejada de los niños.

## Seguridad del cargador de la batería



**ADVERTENCIA:** Lea las siguientes instrucciones de advertencia antes de utilizar el producto.

- Existe riesgo de descarga eléctrica o cortocircuito si no se siguen las instrucciones de seguridad.
- No utilice cargadores de batería diferentes al suministrado con su producto. Le recomendamos que use el cargador QC80 cuando se cargue la batería BLi10.
- No intente desmontar el cargador de batería.
- No utilice un cargador de batería defectuoso o dañado.
- No levante el cargador de la batería tirando del cable de alimentación. Para desconectar el cargador de batería de la toma de corriente, tire del enchufe. No tire del cable de alimentación.
- Mantenga todos los cables y cables de extensión, alejados del agua, el aceite y los bordes afilados. Proceda con cuidado para evitar que el cable se enganche en objetos como puertas, vallas o similares.
- No utilice el cargador de batería cerca de materiales inflamables o corrosivos. Asegúrese de que el cargador de batería no está cubierto. Desenchufe el cargador de batería en caso de humareda o incendio.
- Solo cargue la batería en interiores si se trata de un lugar con buena ventilación y lejos de la luz solar directa. No cargue la batería en el exterior. No cargue la batería en un entorno húmedo.

- Utilice solamente el cargador de batería a temperaturas entre 5 °C (41 °F) y 40 °C (104 °F). Utilice el cargador en un entorno ventilado, seco y sin polvo.
- No cubra las ranuras de ventilación del cargador.
- No conecte nunca los bornes del cargador de batería a objetos metálicos: pueden cortocircuitar el cargador.
- Utilice tomas de corriente homologadas y que estén en buen estado. Asegúrese de que el cable del cargador de batería no esté dañado. Si utiliza cables de extensión, asegúrese de que no estén dañados.

## Instrucciones de seguridad para el mantenimiento



**ADVERTENCIA:** Lea las instrucciones de advertencia siguientes antes de realizar el mantenimiento del producto.

- Retire la batería antes de realizar tareas de mantenimiento, otras comprobaciones o montar el producto.
- El usuario debe realizar solo el mantenimiento y las reparaciones indicadas en este manual. Acuda a su

taller de servicio autorizado para las tareas de mantenimiento y reparaciones más importantes.

- No limpie la batería o el cargador con agua. Los detergentes agresivos pueden provocar daños en el plástico.
- Si no se realiza el mantenimiento, el ciclo de vida del producto disminuye y aumenta el riesgo de accidentes.
- Para realizar todos los trabajos de mantenimiento y reparación, especialmente en los dispositivos de seguridad en el producto, es necesaria una formación especial. Si no están aprobadas todas las comprobaciones de este manual de usuario después de realizar tareas de mantenimiento, acuda al taller de su distribuidor local. Le garantizamos que realizarán reparaciones y mantenimiento profesionales en su producto.
- Mantenga los dientes de corte de la hoja afilados y en buen estado. Siga nuestras recomendaciones. Lea también las instrucciones en el envase de la cuchilla.
- Utilice únicamente piezas de repuesto originales.
- Utilice siempre guantes resistentes para reparar el equipo de corte. Las cuchillas están muy afiladas y pueden causar lesiones con facilidad.

## Montaje

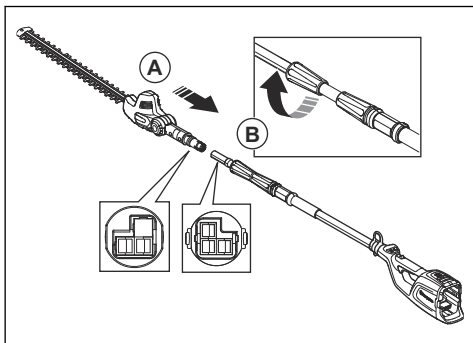
### Introducción



**ADVERTENCIA:** Asegúrese de leer y comprender el capítulo sobre seguridad antes de montar el producto.

### Para montar el eje

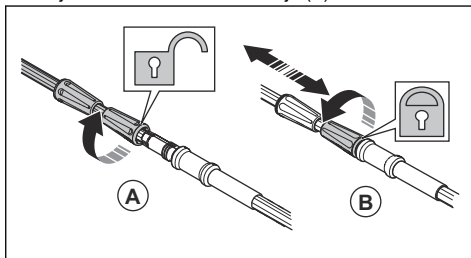
1. Asegúrese de que los enchufes eléctricos están alineados.



2. Conecte los extremos del eje (A) hasta el fondo.
3. Apriete el mango enroscable en el cabezal del cortasetos del lado derecho del eje (B).

### Ajuste de la longitud del eje

1. Afloje el mango enroscable en el lado del alojamiento de la batería del eje (A).



2. Ajuste el eje a una longitud adecuada.
3. Apriete el mango enroscable (B).

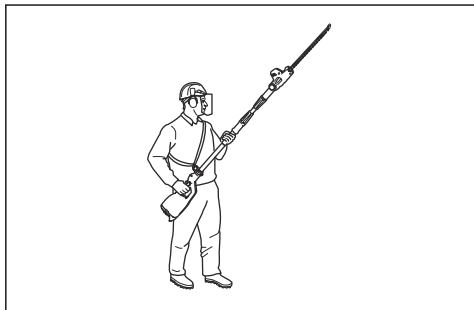
### Para ajustar el arnés

Use siempre el arnés cuando utilice el producto. El arnés proporciona el máximo control durante el manejo del producto. El arnés disminuye el cansancio de brazos y espalda.

1. Colóquese la correa
2. Enganche el producto en el gancho de sujeción del arnés.



3. Regule la longitud del arnés hasta que el gancho de sujeción quede aproximadamente a la altura de su cadera derecha.



## Funcionamiento

### Introducción



**ADVERTENCIA:** Asegúrese de leer y comprender el capítulo sobre seguridad antes de usar el producto.

### Pasos a seguir antes de arrancar el producto

1. Examine la zona de trabajo. Retire objetos que puedan salir despedidos.
2. Examine el equipo de corte. Asegúrese de que las cuchillas estén afiladas y no tengan grietas ni daños.
3. Compruebe que el producto funciona correctamente. Verifique que todas las tuercas y tornillos estén apretados.
4. Asegúrese de que el mango y los dispositivos de seguridad no estén dañados y estén fijados correctamente. No haga funcionar un producto si faltan piezas o se ha cambiado su especificación inicial. Utilice guantes protectores cuando sea necesario.
5. Asegúrese de que las cubiertas no estén dañadas y estén fijadas correctamente, antes de usar el producto.

### Para conectar el cargador de baterías

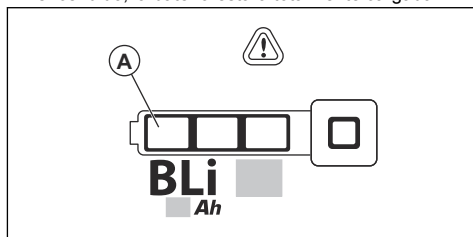
1. Conecte el cargador a la tensión y la frecuencia indicadas en la placa de características.
2. Conecte el enchufe a una toma de corriente con toma a tierra. El LED del cargador de batería parpadea de color verde una vez.

**Nota:** La batería no se carga si su temperatura es superior a 50 °C/122 °F. En ese caso, el cargador enfriará la batería antes de cargarla.

### Conexión de la batería al cargador

**Nota:** Cargue la batería si es la primera vez que la utiliza. Una batería nueva solo tiene una carga del 30 %.

1. Asegúrese de que la batería está seca.
2. Conecte la batería al cargador.
3. Asegúrese de que se enciende la luz de carga verde en el cargador. Eso significa que la batería está conectada correctamente al cargador.
4. Cuando todos los LED (A) de la batería se hayan encendido, la batería estará totalmente cargada.



5. Para desconectar el cargador de batería de la toma de corriente, tire del enchufe. No tire del cable.
6. Retire la batería del cargador.

**Nota:** Consulte los manuales de la batería y del cargador para obtener más información.

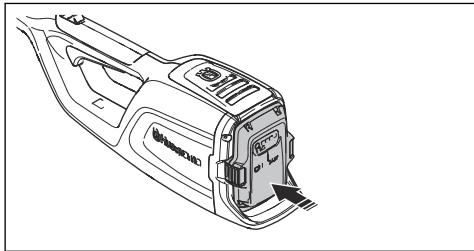
### Para conectar la batería al producto



**ADVERTENCIA:** Utilice solo baterías Husqvarna originales en el producto.

1. Asegúrese de que la batería está completamente cargada.

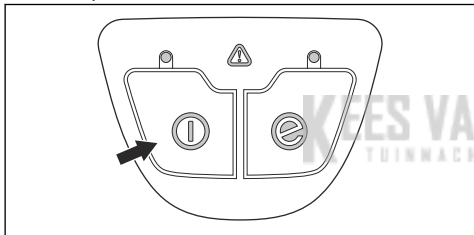
2. Ponga la batería en el compartimento para batería del producto. La batería debe deslizarse fácilmente al interior del compartimento; si no es así, no está instalada correctamente.



3. Presione la parte inferior de la batería y empujela hasta introducirla totalmente en su compartimento. La batería quedará fija en su posición cuando oiga un clic.
4. Asegúrese de que los cierres encajen correctamente en su lugar.

## Arranque del producto

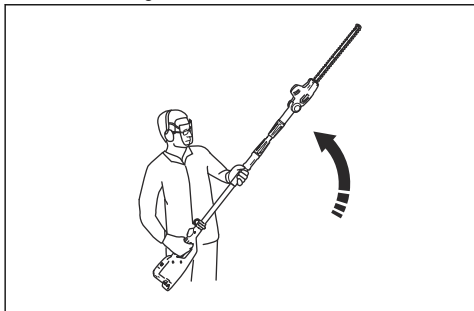
1. Mantenga pulsado el botón de arranque/parada hasta que el LED verde se encienda.



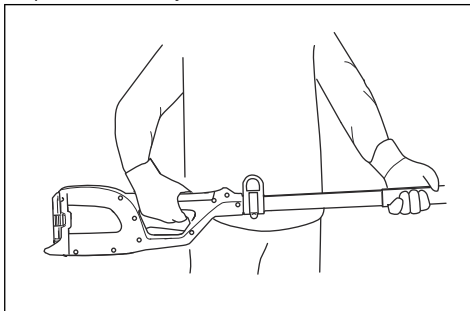
2. Tire del bloqueo del gatillo de alimentación hacia atrás y sujételo.

## Manejo del producto

- Empiece cerca del suelo y mueva el producto hacia arriba a lo largo del seto cuando corte los laterales.



- Mantenga el producto cerca de su cuerpo para una posición de trabajo estable.

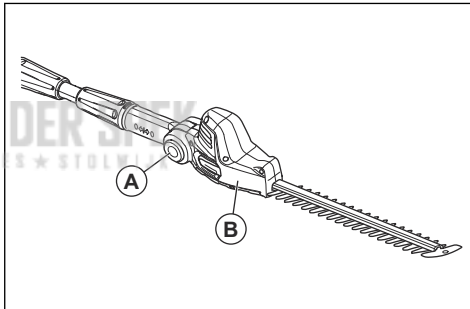


- Tenga cuidado de que la punta del equipo de corte no toque el suelo.
- Tenga cuidado y trabaje lentamente hasta que todas las ramas estén correctamente cortadas.

## Ajuste del ángulo del equipo de corte

El equipo de corte se puede ajustar en 7 posiciones diferentes.

1. Pare el producto y retire la batería.

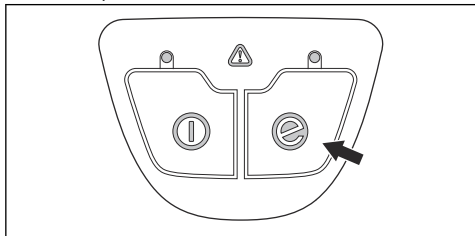


2. Sujete firmemente la carcasa (B).
3. Mantenga pulsados los botones de bloqueo (A) de los 2 lados de la carcasa (B).
4. Mueva el equipo de corte al ángulo correcto.
5. Suelte los botones de bloqueo (A) de los 2 lados.
6. Mueva la carcasa (B) hacia arriba y hacia abajo hasta que el accesorio de corte quede bloqueado en su posición.

## Activación de la función Save

El producto cuenta con la función SavE. La función SavE permite prolongar la duración de la batería.

1. Pulse el botón SavE. El LED se encenderá para indicar que la función está activada.



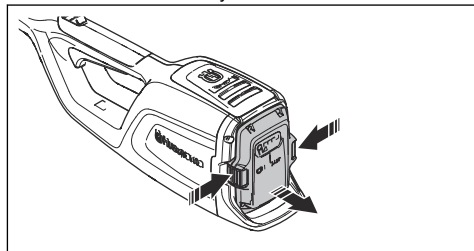
2. Pulse de nuevo el botón SavE para detener la función.

### Función de parada automática

El producto cuenta con una función de parada automática que lo detiene si no se está utilizando. El LED verde de arranque/parada se apaga y el producto se detiene al cabo de 60 segundos.

### Parada del producto

1. Suelte el gatillo de alimentación.
2. Mantenga pulsado el botón de arranque/parada hasta que el LED verde se apague.
3. Extraiga la batería del producto. Presione los 2 botones de liberación y tire de la batería hacia fuera.



## Mantenimiento

### Introducción



**ADVERTENCIA:** Asegúrese de leer y comprender el capítulo sobre seguridad antes de realizar tareas de mantenimiento en el producto.



**ADVERTENCIA:** Retire la batería antes de realizar tareas de mantenimiento en el producto.

### Programa de mantenimiento

A continuación incluimos una lista con los pasos de mantenimiento que hay que efectuar en el producto.

Mantenimiento	Antes del uso	Semanal	Mensual
Inspeccione los componentes externos del producto.	X		
Compruebe que el interruptor de parada y arranque funcione correctamente y no esté dañado.	X		
Por seguridad, asegúrese de que el gatillo de alimentación y el bloqueo de dicho gatillo funcionan correctamente.	X		
Asegúrese de que todos los mandos funcionen y no estén dañados.	X		
Asegúrese de que la cuchilla de la cortadora y la protección de la cortadora no presenten grietas y no estén dañadas. Cambie la cuchilla de la cortadora o la protección de la cortadora si presentan grietas o si han sufrido golpes.	X		
Si la cuchilla de la cortadora está doblada o dañada, cámbiela.	X		
Asegúrese de que los tornillos y las tuercas están bien apretados.	X		
Asegúrese de que la batería no esté dañada.	X		
Asegúrese de que la batería está cargada.	X		
Asegúrese de que el cargador de la batería no esté dañado.	X		

Mantenimiento	Antes del uso	Semanal	Mensual
Asegúrese de que los tornillos que mantienen juntas las cuchillas de la cortadora estén correctamente apretados.		X	
Realice una comprobación de las conexiones entre la batería y el producto. Realice una comprobación de la conexión entre la batería y el cargador de baterías.			X

## Para examinar la batería y el cargador de la batería

1. Examine la batería en busca de daños, por ejemplo, grietas.
2. Examine el cargador en busca de daños, por ejemplo, grietas.
3. Asegúrese de que el cable de alimentación del cargador de la batería no esté dañado ni agrietado.

## Para limpiar el producto, la batería y el cargador de la batería

1. Limpie el producto con un paño seco después de su uso.
2. Limpie la batería y cargador de batería con un paño limpio y seco. Mantenga las guías de la batería limpias.
3. Asegúrese de que los terminales de la batería y del cargador estén limpios antes de colocar la batería en el cargador o en el producto.

## Inspección de la cuchilla de la cortadora

1. Limpie de materiales extraños las cuchillas de la cortadora con un agente de limpieza anticorrosión antes y después de utilizar el producto.
2. Examine los bordes de la cuchilla de la cortadora en busca de daños y deformaciones.

3. Utilice una lima para quitar las rebabas de la cuchilla de la cortadora.
4. Asegúrese de que las cuchillas de la cortadora se mueven libremente.

## Limpieza y lubricación de las cuchillas

1. Elimine los materiales no deseados de las hojas antes y después de usar el producto.
2. Lubrique las hojas antes de guardar la máquina durante un periodo prolongado.

**Nota:** Póngase en contacto con su distribuidor para obtener más información sobre los productos de limpieza y los lubricantes recomendados.

## Lubricación del engranaje

Aplique grasa a la caja del engranaje si el engranaje se ha desmontado en un taller de servicio autorizado.

- Use grasa especial Husqvarna. Póngase en contacto con su distribuidor para obtener más información sobre la grasa recomendada.
- Utilice solo una pequeña cantidad de grasa especial de alta calidad.



**PRECAUCIÓN:** No llene completamente la caja de engranajes.

## Resolución de problemas

### Teclado

Pantalla LED	Posibles fallos	Medidas a tomar
El LED de error parpadea.	Sobrecarga	El equipo de corte no puede moverse libremente. Desmante el equipo de corte.
El producto no arranca.	Los conectores de la batería están sucios.	Limpie los conectores de la batería con aire comprimido o con un cepillo suave.
El LED de error se enciende con una luz roja.	El producto debe revisarse.	Acuda a su taller de servicio.

## Batería

Indicadores LED	Posibles fallos	Posible acción
El LED verde parpadea.	Tensión de la batería baja.	Cargue la batería.
El LED de error parpadea.	Desviación de la temperatura.	Utilice la batería con temperaturas entre -10°C (14°F) y 40°C (104°F).
	Hay demasiada tensión.	Asegúrese de que la tensión de la red eléctrica se corresponde con la que figura en la placa de características del producto.
		Retire la batería del cargador.
El LED de error está encendido.	La diferencia entre las celdas es demasiado grande (1 V).	Acuda a su distribuidor.

## Cargador de baterías

Problema	Posibles fallos	Solución posible
LED rojo de error parpadea.	Desviación de la temperatura.	Utilice el cargador de batería a temperaturas entre 5 °C (41 °F) y 40 °C (104 °F).
LED rojo de error se enciende.	Hay demasiada diferencia entre las celdas (1 V).	Acuda a su distribuidor.

## Transporte, almacenamiento y eliminación

### Transporte y almacenamiento

- Las baterías de iones de litio incluidas están sujetas a los requisitos de la normativa sobre mercancías peligrosas.
- Siga el requisito especial indicado en el paquete y en las etiquetas para el transporte comercial, incluso por terceros y agentes de transporte.
- Hable con alguien con formación especial en materiales peligrosos antes de enviar el producto. Respete todas las normativas nacionales.
- Cubra con cinta los contactos abiertos cuando ponga la batería en un paquete. Embale bien la batería en el paquete para evitar que se mueva.
- Extraiga la batería si va a guardar o transportar el producto.
- Coloque la batería y el cargador en un lugar seco y protegido de la humedad y las heladas.
- No almacene la batería en lugares donde pueda generarse electricidad estática. No guarde la batería en una caja metálica.
- Guarde la batería a una temperatura de entre 5 °C (41 °F) y 25 °C (77 °F), y protegida de la luz directa del sol.
- Guarde el cargador de la batería a una temperatura de entre 5 °C (41 °F) y 45 °C (113 °F), y protegido de la luz directa del sol.
- Utilice el cargador de la batería solo cuando la temperatura ambiente oscile entre 5 °C (41 °F) y 40 °C (104 °F).
- Cargar la batería entre el 30 % y el 50 % antes de guardarla durante periodos de tiempo largos.
- Guarde el cargador de la batería en un espacio cerrado y seco.
- Cuando guarde la batería, manténgala alejada del cargador. No permita que los niños ni otras personas no autorizadas toquen el equipo. Guarde el equipo en un lugar que pueda cerrarse con llave.
- Limpie el producto y realice un mantenimiento completo antes de guardarlo durante un periodo de tiempo prolongado.
- Utilice la protección de transporte del producto para evitar lesiones o daños en el producto durante el transporte y almacenamiento.

- Fije el producto firmemente durante el transporte.

## desecho de la batería, el cargador y el producto

Los símbolos del producto o del embalaje del producto indican que este producto no es un residuo doméstico. Recíclelo en un centro de reciclaje para equipos

eléctricos y electrónicos. Esto ayudará a evitar dañar el medioambiente y las personas.

Póngase en contacto con las autoridades locales, el servicio de residuos domésticos o su distribuidor para obtener más información acerca de cómo reciclar su producto.

## Datos técnicos

### Datos técnicos

	120iTK4-H
<b>Motor</b>	
Tipo de motor	PMDC 36V
<b>Peso</b>	
Peso sin batería, kg	4,6
Peso con batería (batería predeterminada BLi10), kg	5,3
<b>Emisiones de ruido<sup>10</sup></b>	
Nivel de potencia de sonido medido 108 dB(A)	91,32
Nivel de potencia acústica garantizado $L_{WA}$ dB(A)	94
<b>Niveles acústicos<sup>11</sup></b>	
Nivel de presión sonora en el oído del usuario, medido según las normas EN 62841-1 y EN 62841-4-2, dB(A):	81,3
<b>Niveles de vibraciones<sup>12</sup></b>	
Niveles de vibración ( $a_{h1}$ ) en los mangos delantero/trasero, $m/s^2$ . Consulte EN 62841-1 y EN 62841-4-2.	1,223/0,816
<b>Equipo de corte</b>	
Tipo	Doble lado
Longitud de las cuchillas, mm	500
Velocidad de la cuchilla en cortes/minuto en modo SavE	2250
Velocidad de la cuchilla en cortes/minuto sin estar en modo SavE	2800

<sup>10</sup> Emisiones sonoras en el entorno medidas como potencia acústica ( $L_{WA}$ ) según la directiva 2000/14/CE. La diferencia entre la potencia acústica garantizada y medida es que la potencia acústica garantizada también incluye la dispersión en el resultado de la medición y las variaciones entre diferentes productos del mismo modelo, según la directiva 2000/14/CE.

<sup>11</sup> La dispersión estadística habitual del nivel de presión sonora equivalente es la desviación típica de 3 dB (A).

<sup>12</sup> Los datos de nivel de vibración notificados poseen una dispersión estadística habitual (desviación típica) de  $1,5 m/s^2$ .

El valor de vibración indicado se ha medido según un método de prueba estándar y puede utilizarse para comparar herramientas entre sí.

El valor total de vibración indicado también puede utilizarse como valoración preliminar de la exposición.

## Cargadores de batería homologados

<b>Cargador de baterías</b>	<b>QC80</b>
Tensión de entrada, V	100-240
Frecuencia, Hz	50-60
Potencia, W	100
Tensión de salida, V CC/A	36/2

## Baterías homologadas para el producto

<b>Batería</b>	<b>BLi10</b>
Tipo	Iones de litio
Capacidad de la batería, Ah	Consulte la etiqueta que indica la potencia de la batería
Tensión nominal, V	36
Peso, kg	0,7

**KEES VAN DER SPEK**  
TUINMACHINES ★ STOLWIJK

---

# Declaración de conformidad CE

---

## Declaración de conformidad CE

**Husqvarna AB**, SE-561 82 Huskvarna, Suecia, tel.: +46-36-146500, declara que el cortasetos de barra a batería **Husqvarna 120ITK4-H** con los números de serie a partir de 2021 (el año se indica claramente en la placa de características, seguido del número de serie), cumple con las disposiciones de la DIRECTIVA DEL CONSEJO:

- Del 17 de mayo de 2006 "relativa a máquinas", **2006/42/CE**.
- Del 26 de febrero de 2014 "relativa a compatibilidad electromagnética", **2014/30/UE**.
- de 8 junio de 2011 sobre la "restricción de utilización de determinadas sustancias peligrosas" **2011/65/UE**.

Se han aplicado las normas siguientes:

**EN 62841-1:2015, EN 62841-4-2:2019, EN 55014-1:2017+A11, EN 55014-2:2015, CISPR12:2007+A1 2009, EN IEC 63000:2018.**

TÜV Rheinland LGA Products GmbH, Tillystrasse 2, D-90431 Nuernberg, Germany, ha llevado a cabo un examen voluntario en nombre de Husqvarna AB. El certificado tiene el número: **AM 50491653 0001**.

Huskvarna 2020-12-30



The image shows a handwritten signature in black ink, which appears to be 'Pär Martinsson'. The signature is written in a cursive style. To the right of the signature, there is a faint watermark logo for 'KEES VAN DER SPEK TUINMACHINES \* STOLWIJK'.

Pär Martinsson, director de desarrollo (representante autorizado de Husqvarna AB y responsable de la documentación técnica)



## Sisällys

Johdanto.....	73	Vianmääritys.....	85
Turvallisuus.....	75	Kuljettaminen, säilyttäminen ja hävittäminen.....	86
Asentaminen.....	81	Tekniset tiedot.....	87
Käyttö.....	82	EY-vaatimustenmukaisuusvakuutus.....	89
Huolto.....	84		

## Johdanto

### Tuotekuvaus

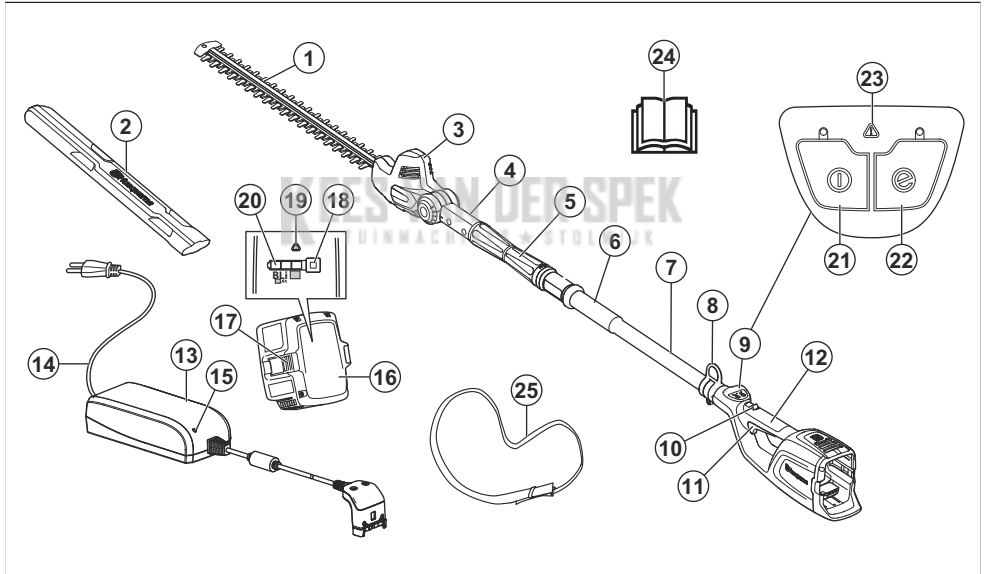
Husqvarna 120iTK4-H on akkukäyttöinen teleskooppivartinen pensasleikkuri.

Käytön aikaista turvallisuutta ja tehokkuutta kehitetään jatkuvasti. Lisätietoja saat huoltoliikkeestä.

### Käyttötarkoitus

Käytä laitetta oksien ja risujen katkaisuun. Älä käytä laitetta muihin tehtäviin.

### Laitteen kuvaus



1. Terä
2. Kuljetussuojus
3. Kotelo
4. Asennonjakokahva
5. Teleskooppitoiminto
6. Etukahva
7. Akseli
8. Valjaiden ripustuskoukku
9. Näppäimistö
10. Käyttöliipaisimen varmistin
11. Käyttöliipaisin
12. Takakahva
13. Akkulaturi
14. Johto
15. Virran ja varoitusten merkkivalo
16. Akku
17. Akun vapautuspainikkeet
18. Akun varaustilan painike
19. Varoitusmerkkivalo
20. Akun varaustilan ilmaisin
21. Käynnistys-/pysäytyspainike
22. SavE-painike

23. Varoitusmerkkivalo  
24. Käyttöohjekirja  
25. Valjaat

## Laitteen symbolit



**VAROITUS:** Tämä laite on vaarallinen. Laitteen huolimaton tai virheellinen käyttö voi aiheuttaa käyttäjälle tai sivullisille vammoja tai kuoleman. Käyttäjän ja sivullisten vammojen välttämiseksi kaikki käyttöohjekirjan turvaohjeet on luettava ja niitä on noudatettava. Lue käyttöohje huolellisesti ja varmista, että ymmärrät sen sisällön, ennen kuin alat käyttää laitetta.



Käytä suojakypärää paikoissa, joissa päällesi voi pudota esineitä. Käytä hyväksytyjä kuulonsuojaimia. Käytä hyväksytyjä silmäsuojaimia.



Käytä hyväksytyjä suojakäsineitä.



Laite täyttää voimassa olevien EY-direktiivien vaatimukset.



Nimellisjännite, V



Tasavirta.



Ei saa altistaa sateelle.



Pidä kädet poissa terän ulottuvilta.



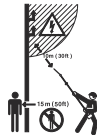
Teleskooppitoiminto.



Jakotoiminto.



Löysää nuppia kääntämällä vasemmalle, kiristä nuppia kääntämällä oikealle.



Tässä laitteessa ei ole eristystä. Jos laite joutuu kosketuksiin jännitteellisten johtimien kanssa tai niiden lähelle, voi seurauksena olla kuolema tai vakava vamma. Jännite voi siirtyä pisteestä toiseen nk. valokaarta pitkin. Mitä suurempi jännite on, sitä pidemmän matkan se voi kulkea. Jännite voi kulkea myös oksia ja muita esineitä pitkin, varsinkin jos ne ovat märkiä. Pidä aina vähintään 10 m:n etäisyys koneen ja jännitteellisen johtimen ja/tai sen kanssa kosketuksissa olevien esineiden välillä. Jos joudut työskentelemään lyhyemmällä turvavälillä, ota aina yhteys ko. sähköyhtiöön varmistaaksesi, että jännite on katkaistu, ennen kuin aloitat työsi. Pidä vähintään 15 m:n etäisyys muihin ihmisiin ja eläimiin käytön aikana.

yyyywwxxxx

Tyypikilvessä näkyy sarjanumero, jossa **yyyy** on valmistusvuosi ja **ww** on valmistusviikko.

**Huomautus:** Muita laitteen symboleita/tarroja tarvitaan joillakin markkina-alueilla ilmaisemaan sertifiointivaatimuksia.

## Akun ja/tai akkulaturin symbolit



Vie tämä laite asianmukaiseen sähkö- ja elektroniikalaitteiden keräyspisteeseen. (Koskee ainoastaan Eurooppaa)



Vikaturvallinen muuntaja.



Käytä ja säilytä akkulaturia ainoastaan sisätiloissa.



Kaksoiseristys.

## Tuotevastuu

Tuotevastuulain mukaisesti emme ole vastuussa tuotteen aiheuttamasta vaurioista, jos

- tuote on korjattu virheellisesti
- tuotteen korjaamiseen on käytetty muita kuin valmistajan omia tai sen hyväksymiä osia

- tuotteessa on muu kuin valmistajan oma tai sen hyväksymä lisävaruste

- tuotetta ei ole korjattu valtuutetussa huoltopisteessä tai hyväksytyllä asiantuntijalla.

## Turvallisuus

### Turvallisuusmääritelmät

Varoituksia, huomioita ja huomautuksia käytetään, kun jotakin käyttöohjeen osaa halutaan erityisesti korostaa.



**VAROITUS:** Tätä käytetään, jos käyttöohjeen noudattamatta jättämisestä voi seurata käyttäjän tai sivullisen vamma tai kuolema.



**HUOMAUTUS:** Tätä käytetään, jos käyttöohjeen noudattamatta jättämisestä voi seurata koneen, muiden materiaalien tai ympäristön vaurioituminen.

**Huomautus:** Tätä käytetään tietyissä tilanteissa tarvittavien lisätietojen antamiseen.

### Yleiset sähkötyökaluja koskevat varoitukset



**VAROITUS:** Lue kaikki turvavaroitukset ja kaikki ohjeet. Varoitusten ja ohjeiden noudattamisen laiminlyöminen voi johtaa sähköiskuun, tulipaloon ja/tai vakavaan tapaturmaan.

**Huomautus:** Säädä kaikki varoitukset ja ohjeet tulevaa käyttöä varten. Varoituksissa termillä "sähkötyökalu" tarkoitetaan verkkosähköllä toimivaa (johdollista) sähkötyökalua tai akkukäyttöistä (johdotonta) sähkötyökalua.

### Työalueen turvallisuus

- **Pidä työalue siistinä ja hyvin valaistuna.** Sotkuiset tai hämärät alueet ovat alttiita onnettomuuksille.
- **Älä käytä sähkötyökaluja räjähdysriskissä ympäristössä, esimerkiksi herkästi syttyvien nesteiden, kaasujen tai pölyn läheisyydessä.** Sähkötyökaluista lähtevät kipinät voivat sytyttää pölyn tai kaasut.
- **Pidä lapset ja sivulliset poissa, kun käytät sähkötyökalua.** Häiriöt voivat saada sinut menettämään työkalun hallinnan.

### Sähköturvallisuus

- **Sähkötyökalun pistokkeen on sovittava pistorasiaan. Älä koskaan muuta pistoketta millään tavoin. Älä käytä mitään pistokesovittimia maadoitettujen**

**sähkötyökalujen kanssa.** Muuttamattomat pistokkeet ja sopivat pistorasiat vähentävät sähköiskun vaaraa.

- **Varo koskettamasta maadoitettuja pintoja, kuten putkia, pattereita, liesiä ja jääkaappeja.** Sähköiskun riski kasvaa, jos käyttäjän keho on maadoitettu.
- **Älä altista sähkötyökaluja sateelle tai märille olosuhteille.** Sähkötyökaluun päässyt vesi lisää sähköiskun riskiä.
- **Älä vahingoita johtoa. Älä koskaan käytä johtoa kantamiseen, vetämiseen tai pistokkeen irrottamiseen pistorasiasta. Pidä johto etäällä kuumuudesta, öljystä, terävistä reunoista tai liikkuvista osista.** Vialliset tai solmussa olevat johdot lisäävät sähköiskuvaaraa.
- **Kun käytät sähkötyökalua ulkona, käytä ulkotiloihin sopivaa jatkojohtoa.** Ulkokäyttöön sopivan johdon käyttäminen vähentää sähköiskuvaaraa.
- **Mikäli sähkötyökalun käyttämistä kosteassa ei voida välttää, käytä virtalähdettä, jossa on vikavirtasuojakytkin (RCD).** Vikavirtasuojakytkimen käyttö vähentää sähköiskun vaaraa.

### Henkilökohtainen turvallisuus

- **Pysy valppaana, katso mitä teet ja käytä tervettä järkeä käyttäessäsi sähkötyökalua. Älä käytä sähkötyökalua väsyneenä tai alkoholin, huumeloiden tai lääkkeiden vaikutuksen alaisena.** Hetken epähuomio sähkötyökaluja käytettäessä voi johtaa vakavaan henkilövahinkoon.
- **Käytä henkilökohtaisia suojavarusteita. Pidä aina silmäsuojia.** Hengityssuojain, luistamattomat turvakengät, kypärä, kuulosuojaimet ja muut suojavarusteet niitä vaativissa oloissa käytettyinä vähentävät henkilövahinkoja.
- **Estä tahaton käynnistys. Varmista ennen virtalähteeseen ja/tai akkuun kytkemistä, työkaluun tarttumista tai sen kantamista, että sen virta on katkaistu.** Sähkötyökalujen kantaminen sormi katkaisijalla tai niiden kytkeminen sähköverkkoon tai akkuun katkaisimen ollessa päällä altistaa onnettomuuksille.
- **Irrota mahdolliset säätövaimet ennen virran kytkemistä sähkötyökaluun.** Sähkötyökalun pyöriivään osaan kiinnitetty avain voi aiheuttaa henkilövahingon.
- **Älä kurota. Säilytä aina tukeva asento ja tasapaino.** Tämä mahdollistaa sähkötyökalun paremman hallinnan odottamattomissa tilanteissa.
- **Pukeudu oikein. Älä käytä löysästi istuvia vaatteita tai koruja. Pidä hiukset ja vaatteet etäällä liikkuvista osista.** Löysät vaatteet, korut tai pitkät hiukset voivat tarttua liikkuviin osiin.
- **Jos käytettävissä on kytkentämahdollisuus pölynpoistojärjestelmälle, varmista, että se kytketään**

**ja että sitä käytetään oikein.** Pölynpoistojärjestelmän käyttö voi vähentää pölyyn liittyviä riskejä.

- **Vaikka olisit käyttänyt työkaluja usein ja tuntisit ne hyvin, muista aina ottaa huomioon työkalun turvamääräykset.** Huurolmaton toiminta voi aiheuttaa vakavia vahinkoja sekunnin murto-osassa.
- Tärinäpäästöt sähkötyökalun varsinainen käytön aikana voivat poiketa ilmoitetusta kokonaisarvosta työkalun käyttötavasta riippuen. Käyttäjien tulee itsensä suojaamiseksi noudattaa turvatoimia, jotka perustuvat päästöjen arviointiin todellisissa käyttöolosuhteissa (huomioon ottaen kaikki käyttöjaksen osat, kuten työkalun päältäkytkemisaika ja se, milloin se käy joutokäynnillä, liipaisimen lisäksi).

## Sähkötyökalujen käyttö ja huolto

- **Älä pakota sähkötyökalua.** Käytä käyttötarkoitukseen sopivaa sähkötyökalua. Oikea sähkötyökalu tekee työn paremmin ja turvallisemmin nopeudella, jota varten se on suunniteltu.
- **Älä käytä sähkötyökalua, jos virtaa ei voi kytkeä ja katkaista virtakatkaisimella.** Mikä tahansa sähkötyökalu, jota ei voi hallita katkaisimella, on vaarallinen, ja se pitää korjata.
- **Irrota pistoke pistorasiasta ja/tai akku sähkötyökalusta ennen kuin teet mitään säätöjä, vaihdat lisävarusteita tai varastoit sähkötyökalun.** Sellaiset varoimet vähentävät riskiä, että sähkötyökalu käynnistetään vahingossa.
- **Varastoit käyttämättömät sähkötyökalut pois lasten ulottuvilta, äläkä anna henkilöiden, jotka eivät tunne sähkötyökalua tai näitä ohjeita, käyttää sähkötyökalua.** Sähkötyökalut ovat vaarallisia kouluttamattomien käyttäjien käsissä.
- **Huolla sähkötyökaluja.** Tarkista, etteivät liikkuvat osat ole väärin suunnattuja tai tarttuvia, ettei mikään osa ole murtunut sekä kaikki muut tekijät, jotka voivat vaikuttaa sähkötyökalun toimintaan. Jos sähkötyökalu on vahingoittunut, korjauta se ennen käyttöä. Monet onnettomuudet johtuvat huonosti huolletuista sähkötyökaluista.
- **Pidä leikkaustyökalut terävinä ja puhtaina.** Oikein huolletut leikkaustyökalut, joiden leikkausreunat ovat terävät, eivät juutu kiinni niin helposti ja ovat helpommin hallittavissa.
- **Käytä sähkötyökalua, lisävarusteita, teriä jne. näiden ohjeiden mukaisesti ottaen huomioon työskentelyolosuhteet ja suoritettavan työn laadun.** Sähkötyökalun käyttäminen ennakoituista poikkeavissa olosuhteissa voi johtaa vaaratilanteeseen.
- **Pidä kahvat ja tarttumapinnat kuivina, puhtaina ja öljyttöminä sekä puhtaana vaselinista.** Liukkaat kahvat ja tarttumapinnat eivät mahdollista työkalun turvallista käsittelyä ja hallintaa odottamattomissa tilanteissa.

## Akkukäyttöisten työkalujen käyttö ja huolto

- **Lataa akku ainoastaan valmistajan tarkoitukseen nimeämällä laturilla.** Tietynlaisen akustoon soveltuva laturi voi aiheuttaa toisen akuston lataamiseen käytettynä tulipalon vaaran.
- **Liitä työkaluihin ainoastaan niissä käytettäviksi hyväksytyt akkuja.** Muunlaisten akkujen käyttö voi aiheuttaa tapaturmien tai tulipalon vaaran.
- **Kun akkua ei käytetä, pidä se etäällä metalliesineistä, kuten paperiliittimistä, kolikoista, avaimista, nautoista, ruuveista tai muista pienistä metalliesineistä, jotka saattavat aiheuttaa kosketuksen liittinten välillä.** Akkuliittinten saattaminen keskenään oikosulkuun voi aiheuttaa palovammoja tai tulipalon.
- **Akusta voi tihkua nestettä väärissä olosuhteissa.** Vältä kosketusta akkuneusteeseen. Jos akkuneustettä joutuu iholle, huuhtelee ihoalue vedellä. Jos neste joutuu kosketuksiin silmien kanssa, ota myös yhteys lääkäriin. Akkuneuste voi aiheuttaa ihoärsytystä tai palovammoja.
- **Älä käytä vaurioitunutta tai muutettua akkua tai työkalua.** Jos tuotteessa käytetään vaurioituneita tai muutettuja akkuja, tuote ei välttämättä toimi asianmukaisesti. Seurauksena saattaa olla tulipalo, räjähdys tai tapaturma.
- **Älä altista akkua tai työkalua tulelle tai korkeille lämpötiloille.** Laitteen altistuminen tulelle tai yli 130 °C:n lämpötilalle voi aiheuttaa räjähdyksen.
- **Noudata kaikkia latausohjeita äläkä lataa akkua tai työkalua ohjeissa määritetyn lämpötila-alueen ulkopuolella.** Akun lataaminen väärin tai sallituista lämpötiloista poikkeavissa olosuhteissa voi vahingoittaa akkua ja lisätä tulipaloriskeä.

## Huolto

- **Anna sähkötyökalun korjaaminen pätevän korjaajan tehtäväksi, joka käyttää vain täysin samanlaisia vaihto-osia.** Tämä varmistaa, että sähkötyökalu säilyy turvallisena käyttäjä.
- **Älä koskaan huolla vahingoittuneita akkuja.** Akkuja saavat huoltaa vain valmistaja ja valtuutetut palveluntarjoajat.

## Pensasleikkurin turvaohjeet

- **Pidä kaikki kehon osat poissa terän ulottuvilta. Älä yritä raivata leikkuujätettä tai pitää leikattavaa materiaalia kädessäsi, kun terät liikkuvat.** Terän liike jatkuu, kun kytkin on asetettu OFF-asentoon. Hetken epähuomio pensasleikkuria käytettäessä voi johtaa vakavaan henkilövahinkoon.
- **Kanna pensasleikkuria kahvasta ja varmista, että terä on pysäytetty.** Älä käytä virtakytkimiä. Pensasleikkurin asianmukainen kantaminen vähentää tahattoman käynnistyksen ja terien aiheuttamien henkilövahinkojen vaaraa.
- **Kun kuljetat pensasleikkuria tai viet sen varastoon, käytä aina terän suojusta.** Pensasleikkurin

asianmukainen käsittely vähentää terien mahdollisesti aiheuttamien henkilövahinkojen riskiä.

- **Kun irrotat juutunutta materiaalia tai huollat laitetta, varmista, että kaikki virtakytkimet on asetettu OFF- asentoon ja virtajohto on irrotettu.** Pensasleikkurin käynnistäminen vahingossa juutunutta ainesta irrottaessa tai laitetta huoltaessa voi johtaa vakavaan henkilövahinkoon.
- **Pidä pensasleikkuria kädessäsi tarttumalla ainoastaan sen eristettyihin tartutuspintoihin, sillä terä voi osua näkymättömissä oleviin johtoihin tai omaan virtajohtoonsa.** Jos terät koskettavat jännitteellistä sähköjohtoa, myös pensasleikkurin paljaisiin metalliosiin voi syntyä jännite, jolloin käyttäjä voi saada sähköiskun.
- **Pidä kaikki virtajohdot ja kaapelit poissa leikkuualueelta.** Käytön aikana virtajohdot tai kaapelit voi jäädä näkymättömiin pensasaitoihin tai pensaikoihin, jolloin terä saattaa vahingossa leikata niitä.
- **Älä käytä pensasleikkuria epäsuotuisissa sääolosuhteissa etenkin, jos salamointi on mahdollista.** Näin pienennät salamankuolon riskiä.
- **Pienennä hengenvaarallisen sähköiskun riskiä välttämällä pitkän ulottuman pensasleikkurin käyttöä voimajohtojen läheisyydessä.** Jos laite osuu voimajohtoihin tai jos sitä käytetään voimajohtojen läheisyydessä, seurauksena voi olla vakava vamma tai kuolemaan johtava sähköisku.
- **Pidä aina pitkän ulottuman pensasleikkurista kiinni kahdella kädellä käyttäessäsi sitä.** Pidä pitkän ulottuman pensasleikkurista kiinni molemmin käsin, jotta et menetä sen hallintaa.
- **Käytä aina kypärää, kun käytät pitkän ulottuman pensasleikkuria.** Putoavat leikkuujätteet voivat johtaa vakavaan henkilövahinkoon.

## Yleiset turvaohjeet



**VAROITUS:** Lue seuraavat varoitusohjeet ennen laitteen käyttämistä.

- Irrota akku käytön jälkeen, jotta laite ei käynnisty vahingossa.
- Tämä laite on vaarallinen työkalu, jos sitä käytetään huolimattomasti tai väärin. Tämä laite voi aiheuttaa käyttäjälle tai sivullisille vakavia vahinkoja tai kuoleman.
- Älä käytä laitetta, jos sen alkuperiaiset ominaisuuksia on muutettu. Älä muuta edes osaa laitteesta ilman valmistajan lupaa. Käytä vain valmistajan hyväksymiä osia. Virheellinen huolto voi aiheuttaa tapaturman tai kuoleman.
- Tarkista laite ennen käyttöä. Katso *Tuotteen turvalaitteet sivulla 79 ja Huolto sivulla 84.* Älä käytä vaurioitunutta laitetta. Noudata tässä käyttöohjeessa annettuja turvallisuustarkastuksia, kunnossapitoa ja huoltoa koskevia ohjeita.

- Lapsia on valvottava, jotta voidaan varmistaa, etteivät he leiki laitteella. Älä koskaan anna lasten tai henkilöiden, joille ei ole annettu laitteen ja/tai akun käyttökoulutusta, käyttää tai korjata sitä. Paikalliset määräykset saattavat rajoittaa käyttäjän ikää.
- Säilytä laitetta lukitussa varastossa, jonne lapset ja asiattomat henkilöt eivät pääse.
- Säilytä laite lasten ulottumattomissa.
- Laitteen rakennetta ei missään tapauksessa saa muuttaa ilman valmistajan lupaa. Käytä aina alkuperiaisiä lisävarusteita. Hyväksymättömien muutosten ja/tai lisävarusteiden käyttö voi aiheuttaa käyttäjälle ja muille vakavia vahinkoja tai kuoleman.

**Huomautus:** Käyttöä säädellään mahdollisesti kansallisilla tai paikallisilla laeilla. Noudata ilmoitettuja määräyksiä.

## Turvallisuusohjeet käyttöä varten



**VAROITUS:** Lue seuraavat varoitusohjeet ennen laitteen käyttämistä.

- Jos käytön jatkaminen tuntuu epävarmalta, kysy neuvoa asiantuntijalta. Käänny jälleenmyyjäsi tai huoltoliikkeesi puoleen. Älä tee mitään sellaista, mihin et katso taitosi riittävän.
- Älä koskaan käytä laitetta, jos olet väsynyt tai nauttinut alkoholia tai huumeita, tai jos käytät lääkkeitä tai muita tuotteita, jotka voivat vaikuttaa näkökykyysi, harkintakykyysi tai kehosi hallintaan.
- Huonossa säässä työskentely on väsyttävää, ja siihen liittyy usein riskitekijöitä. Riskitekijöiden takia laitetta ei ole suositeltavaa käyttää huonoissa sääolosuhteissa, kuten sumuisella tai sateisella säällä, kovalla tuulella, erittäin kylmällä säällä tai ukkosella.
- Viallinen terälaite voi lisätä onnettomuuksien vaaraa.
- Älä anna lasten käyttää laitetta tai oleskella sen läheisyydessä. Koska laite on helppo käynnistää, myös lapset saattavat pystyä käynnistämään sen, ellei heitä valvota. Tämä voi johtaa vakaviin henkilövahinkoihin. Irrota laite aina, kun laite on ilman valvontaa.
- Huolehdi siitä, että ihmiset ja eläimet ovat työn aikana vähintään 15 metrin päässä laitteesta. Kun useampia käyttäjiä työskentelee samalla työalueella, on turvaetäisyyden oltava vähintään 15 metriä. Muuten vaarana ovat vakavat henkilövahingot. Sammuta laite välittömästi, jos joku tulee lähemmäs. Älä käänny laitteen kanssa ympäri tarkistamatta ensin, ettei turva-alueella ole ketään.
- Varmista, etteivät ihmiset, eläimet tai muut tekijät pääse vaikuttamaan laitteen hallintaan tai joutu kosketuksiin terälaiteen tai terälaitteesta sinkoutuvien irtonaisten esineiden kanssa. Älä kuitenkaan käytä laitetta, ellei sinulla ole

mahdollisuutta kutsua apua onnettomuustapauksessa.

- Tarkista aina työalue. Poista kaikki irralliset esineet, kuten kivet, lasinsirpaleet, naulat, rautalangat, narut ja vastaavat, jotka voivat sinkoutua liikkeelle tai kietoutua terälaitteeseen.
- Varmista, että voit siirtyä ja seisoa turvallisesti. Tarkista, onko ympäristössä esteitä (juuria, kiviä, oksia, kuoppia, oja jne.) äkilliselle siirtymiselle. Ole erittäin varovainen työskennellessäsi viettävässä maastossa.
- Seiso aina tasapainoisessa ja tukevassa asennossa. Älä kurota.
- Sammuta laite, kun siirryt alueelta toiselle. Kiinnitä kuljetussuojus laitteeseen, kun laitetta ei käytetä.
- Älä koskaan laske laitetta maahan, ellei ole pysäyttänyt sitä. Valvo laitetta aina, kun se on käynnissä.
- Poista akku ennen kuin luovutat laitteen toiselle käyttäjälle.
- Varmista, etteivät vaatteet tai ruumiinosat pääse koskemaan terälaitteeseen laitteen ollessa käynnissä.
- Jos terälaitteeseen tarttuu jotain käytön aikana, pysäytä ja sammuta laite. Varmista, että terälaitte pysähtyy kokonaan. Poista akku ennen kuin puhdistat, tarkistat tai korjaat laitetta ja/tai terälaitetta.
- Kun laite on sammutettu, pidä kädet ja jalat etäällä terälaitteesta, kunnes se on täysin pysähtynyt.
- Varo oksanpätkiä, joita voi sinkoutua ilmaan leikkuun aikana. Älä sahaa liian lähellä maanpintaa, sillä ilmaan voi sinkoutua kiviä ja muuta irtotavaraa.
- Varo sinkoutuvia esineitä. Hyväksyttävissä silmiensuojaimia on aina käytettävä. Älä koskaan nojaa terälaitteen suojuksen yli. Kivet, roskat yms. saattavat sinkoutua silmiin ja aiheuttaa sokeutumisen tai vakavia vahinkoja.
- Tarkkaile aina varoitussignaaleja ja -huutoja kuulonsuojaimia käyttäessäsi. Riisu kuulonsuojaimet välittömästi laitteen pysäytyksen jälkeen.
- Älä koskaan työskentele tikkailla tai muulta huonosti kiinnitetyltä korkealta paikalta.
- Kone muodostaa käytön aikana sähkömagneettisen kentän. Kenttä saattaa joissakin olosuhteissa häiritä aktiivisten tai passiivisten lääketieteellisten implanttien toimintaa. Vakavien tai kohtalokkaiden onnettomuuksien ehkäisemiseksi kehotamme lääketieteellisiä implanteja käyttäviä henkilöitä neuvottelemaan lääkärin ja lääketieteellisen implantin valmistajan kanssa ennen laitteen käyttämistä.
- Pidä laitetta aina molemmin käsin. Pidä laitetta kehon oikealla puolella.
- Sammuta laite aina, poista akku ja varmista, ettei terälaitte pyöri, ennen kuin poistat teräkselin ympärille kiertyneen tai suojuksen ja terälaitteen väliin jääneen materiaalin.

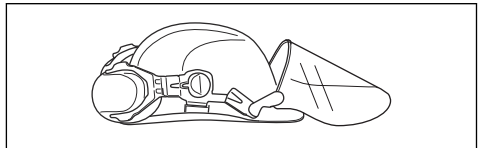
- Käytönaikainen sähkömagneettinen kenttä voi häiritä aktiivisia ja passiivisia lääketieteellisiä implanteja. Kehotamme lääketieteellisiä implanteja käyttäviä henkilöitä neuvottelemaan lääkärin ja lääketieteellisen implantin valmistajan kanssa ennen laitteen käyttämistä.
- Kohdista laitteen paino valjaisiin. Se helpottaa laitteen käsittelyä.
- Pitkäaikainen altistuminen melulle saattaa aiheuttaa pysyviä kuulovammoja. Husqvarna suosittelee hyväksytyjen kuulonsuojaimien käyttämistä.
- Älä koskaan käytä laitetta, jota on muutettu niin, ettei sen rakenne enää ole alkuperäinen.
- Älä koskaan käytä viallista laitetta. Noudata tässä käyttöohjeessa annettuja turvallisuustarkastuksia, kunnossapitoa ja huoltoa koskevia ohjeita. Tiety kunnossapito- ja huoltotyöt on annettava koulutettujen ja pätevien asiantuntijoiden tehtäviksi. Katso ohjeet kohdasta Kunnossapito.
- Tarkista laite kokonaisuudessaan ennen käyttöä. Katso huoltokaavio.
- Älä koskaan anna kenenkään käyttää konetta valmistamatta ensin, että käyttäjä on lukenut ja ymmärtänyt käyttöohjeen sisällön.
- Tarkista, ettei työkohteessa ole sähköjohtoja, eläimiä ja vastaavia tai esineitä, jotka voivat vaurioittaa terälaitetta, esim. metalliesineitä.
- Virheelliset terät voivat lisätä onnettomuuksien vaaraa.

## Henkilökohtainen suojavarustus



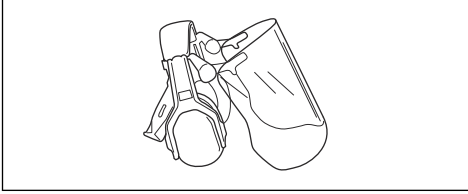
**VAROITUS:** Lue seuraavat varoitusohjeet ennen laitteen käyttämistä.

- Käytä aina hyväksytyjä henkilökohtaisia suojavarusteita, kun käytät laitetta. Henkilökohtaiset suojavarusteet eivät poista tapaturmien vaaraa, mutta ne lieventävät vammoja onnettomuustilanteissa. Anna jälleenmyyjän auttaa oikeiden varusteiden valinnassa.
- Käytä suojakypärää paikoissa, joissa putoilevat esineet aiheuttavat vaaraa.



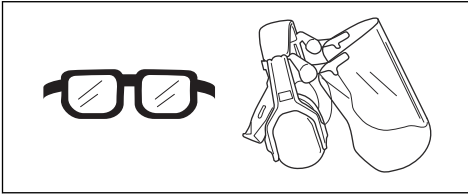
- Pitkäaikainen altistuminen melulle saattaa aiheuttaa kuulovammoja. Akkukäyttöiset laitteet ovat tavallisesti suhteellisen hiljaisia, mutta melutasot ja pitkät käyttöjaksot voivat aiheuttaa vammoja. Husqvarna suosittelee kuulonsuojaimien käyttämistä, jos laitetta käytetään pitkään. Henkilöiden, jotka käyttävät sähkötyökaluja

jatkuvasti ja säännöllisesti, on syytä tarkistuttaa kuulonsa säännöllisesti.

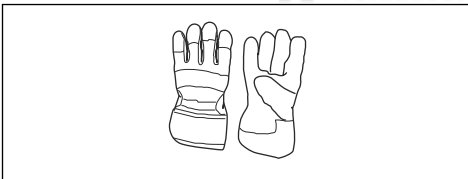


**VAROITUS:** Kuulonsuojaimet rajoittavat äänen ja varoitusten kuulemistä.

- Käytä hyväksytyjä silmäsuojaimia. Visiiriä käytettäessä on käytettävä myös hyväksytyjä suojalaseja. Hyväksytyillä suojalaseilla tarkoitetaan laseja, jotka täyttävät standardin ANSI Z87.1 (Yhdysvallat) tai EN 166 (EU-maat) vaatimukset.



- Käytä käsineitä tarvittaessa esimerkiksi terävarustuksen asennuksen, tarkastuksen ja puhdistuksen aikana.



- Käytä lujasta materiaalista valmistettuja vaatteita. Käytä aina vahvakankaisia pitkiä housuja ja pitkähihaista takkia. Vältä liian löysiä vaatteita, jotka tarttuvat helposti rusuihin ja oksiiin. Älä pidä koruja, shortseja tai sandaaleja. Älä myöskään kulje paljain jaloin. Sido hiukset turvallisesti olkapäiden yläpuolelle.
- Pidä ensiaputarvikkeet helposti saatavilla.



## Tuotteen turvalaitteet



**VAROITUS:** Lue seuraavat varoitusohjeet ennen koneen käyttämistä.

Tässä osassa kerrotaan laitteen turvaominaisuuksista ja niiden toiminnasta sekä annetaan tarkastus- ja kunnossapito-ohjeet, joilla varmistetaan laitteen toimivuus. Katso kohdasta *Laitteen kuvaus sivulla 73*, missä nämä laitteet koneessasi sijaitsevat.

Laitteen käyttöä voi lyhentyä ja onnettomuusvaara kasvaa, jos laitteen kunnossapitoa ei suoriteta oikein ja jos huoltoa ja/tai korjauksia ei tehdä ammattitaitoisesti. Saat lisätietoja lähimmästä huoltoliikkeestä.



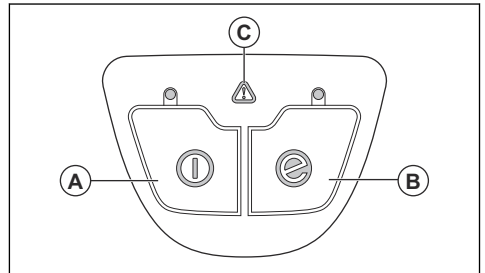
**VAROITUS:** Älä koskaan käytä laitetta, jos sen turvalaitteet ovat viallisia. Laitteen turvavarustus on tarkastettava ja pidettävä kunnossa tässä osassa esitetyllä tavalla. Jos laitteessasi ilmenee tarkastettaessa puutteita, se on toimitettava huoltoliikkeeseen korjattavaksi.



**HUOMAUTUS:** Kaikki koneen huolto- ja korjaustyöt vaativat erikoiskoulutusta. Tämä koskee erityisesti laitteen turvavarustusta. Jos koneessa havaitaan puutteita alla luetelluissa tarkastuksissa, on sinun otettava yhteys huoltoliikkeeseen. Hankkimalla tuotteen meiltä varmistat, että saat sille ammattimaisen korjauksen ja huollon. Jos ostat koneen muusta kuin huollot suorittavasta ammattiliikkeestä, pyydä myyjää neuvomaan lähin huoltoliike.

## Näppäimistön tarkistaminen

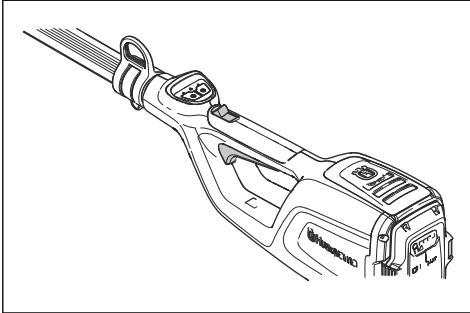
1. Paina käynnistys-/pysäytyspainiketta (A) pitkään.



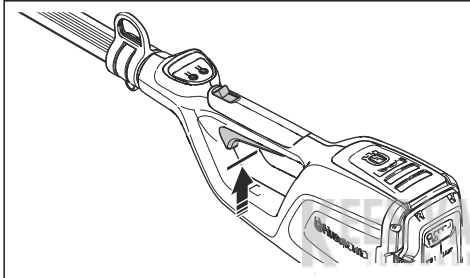
- a) Laite on käynnissä, kun merkkivalo palaa.
  - b) Laite ei ole käynnissä, kun merkkivalo ei pala.
2. Lisätietoja SavE-painikkeen (B) toiminnasta on kohdassa *SavE-toiminnon käynnistäminen sivulla 84*.
  3. Katso osio *Vianmääritys sivulla 85*, jos varoitusmerkkivalo (C) palaa tai vilkkuu.

## Käyttöliipaisimen varmistimen tarkistaminen

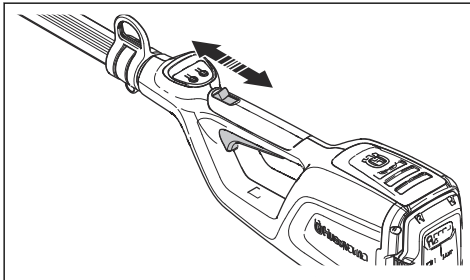
Käyttöliipaisimen varmistin estää laitteen tahattoman käytön. Kun irrotat otteen kahvasta, sekä käyttöliipaisin että varmistin palautuvat lähtöasentoonsa.



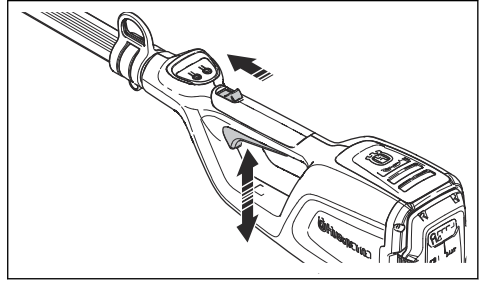
1. Varmista, että käyttöliipaisin on lukittu, kun varmistin on alkuasennossa.



2. Vedä ja vapauta varmistin ja varmista, että se palautuu alkuasentoonsa.



3. Varmista, että käyttöliipaisin ja sen varmistin liikkuvat vapaasti ja palautusjousi toimii oikein.



4. Käynnistä laite. Katso kohta *Laitteen käynnistäminen sivulla 83*.
5. Käytä täyttä käyntinopeutta.
6. Vapauta käyttöliipaisin ja varmista, että terälaitte pysähtyy.

## Akkurivarmisuus



**VAROITUS:** Lue seuraavat varoitusohjeet ennen laitteen käyttämistä.

- Suositeltu akku on BLi10. Katso kohta *Tekniset tiedot sivulla 87*. Akku on salattu ohjelmallisesti.
- Käytä ladattavaa BLi10-akkuja vain kyseisten Husqvarna-laitteiden virtalähteenä. Tapaturmien välttämiseksi akkuja ei saa käyttää muiden laitteiden virtalähteenä.
- Sähköiskun vaara. Älä koske akun napoihin avaimella, kolikolla, ruuvilla tai muilla metalliesineillä. Tämä voi aiheuttaa akun oikosulun.
- Älä käytä paristoja.
- Älä aseta esineitä akun ilmarakoihin.
- Pidä akku suojassa suoralta auringonvalolta, kuumuudelta ja avotulelta. Akku voi aiheuttaa paloja/tai syöpymisvammoja.
- Suojaa akku sateelta ja kosteilta olosuhteilta.
- Älä altista akku mikroaalloille ja korkealle paineelle.
- Älä yritä purkaa tai rikkoa akkuja.
- Jos akku vuotaa, älä anna nesteen joutua kosketuksiin kehon tai silmien kanssa. Jos nestettä joutuu iholle, puhdista alue heti runsaalla vedellä ja saippualla ja hakeudu lääkäriin. Jos nestettä joutuu silmiin, älä hankaa silmiä vaan huuhtele niitä vedellä ainakin 15 minuuttia ja hakeudu lääkäriin.
- Käytä akkuja  $-10-40^{\circ}\text{C}$ :n lämpötilassa.
- Älä pese akkuja tai akkulaturia vedellä. Katso kohta *Laitteen, akun ja akkulaturin puhdistaminen sivulla 85*.
- Älä käytä viallista tai vaurioitunutta akkuja.
- Säilytä akkuja varastossa kaukana metalliesineistä kuten nauloista, ruuveista ja koruista.
- Pidä akku poissa lasten ulottuvilta.



## Akkulaturin turvallisuus



**VAROITUS:** Lue seuraavat varoitusohjeet ennen laitteen käyttämistä.

- Sähköiskun tai oikosulun vaara, jos turvaohjeita ei noudateta.
- Älä käytä muita kuin akun mukana toimitettua akkulaturia. Suositeltu laturi BLi10-akun lataamiseen on QC80.
- Älä yritä purkaa akkulaturia.
- Älä käytä viallista tai vaurioitunutta akkulaturia.
- Älä nosta akkulaturia virtajohdosta. Irrota akkulaturi pistorasiasta vetämällä pistoke ulos. Älä vedä virtajohdosta.
- Pidä kaikki kaapelit ja jatkojohdot poissa veden, öljyn ja terävien reunojen ulottuvilta. Pidä huolta, ettei kaapeli jää ovien, aitojen tai muiden vastaavien esineiden väliin.
- Älä käytä akkulaturia herkästi syttyvien materiaalien tai syöpymistä aiheuttavien materiaalien lähellä. Varmista, että akkulaturia ei ole peitetty. Jos havaitset savua tai tulta, irrota akkulaturin pistoke pistorasiasta.
- Lataa akku vain sisätiloissa poissa auringonvalosta ja paikassa, jossa on hyvä ilmanvaihto. Älä lataa akkua ulkona. Älä lataa akkua märissä olosuhteissa.
- Käytä akkulaturia vain lämpötilan ollessa 5–40 °C. Käytä laturia kuivassa ja pölyttömässä ympäristössä, jossa on hyvä ilmanvaihto.
- Älä aseta esineitä akkulaturin jäähdytysaukkoihin.
- Älä liitä akkulaturin liittimiä metalliesineisiin, sillä tämä voi aiheuttaa akkulaturin oikosulun.

- Käytä hyväksytyjä ja ehjiä pistorasioita. Varmista, että akkulaturin johto ei ole vahingoittunut. Jos käytät jatkojohtoja, varmista, että ne eivät ole vahingoittuneet.

## Turvaohjeet huoltoa varten



**VAROITUS:** Lue seuraavat varoitusohjeet ennen laitteen huoltamista.

- Irrota akku ennen laitteen huoltoa, muita tarkistuksia tai kokoamista.
- Käyttäjän on huolehdittava ainoastaan tässä käyttöohjekirjassa kuvatuista korjaus- ja huoltotoimista. Anna huoltoliikkeen tehdä suuremmat korjaus- ja huoltotoimet.
- Älä pese akkua tai akkulaturia vedellä. Vahvat pesuaineet voivat vaurioittaa muovia.
- Laitteen huoltamatta jättäminen lyhentää sen käyttöikää ja lisää onnettomuusrisiä.
- Laitteen huolto- ja korjaustyöt, erityisesti laitteen turvalaitteille tehtävät työt, vaativat erityiskoulutusta. Jos kaikkia käyttöohjekirjassa lueteltuja tarkastuksia ei huollon jälkeen voida suorittaa hyväksytysti, vie laite huoltoliikkeeseen. Siellä laitteesi huolletaan ja korjataan ammattimaisesti.
- Pidä terän leikkuuhampaat hyvin ja oikein teroitettuina. Noudata suosituksemme. Tutustu myös teräpakkauksen ohjeisiin.
- Käytä vain alkuperäisiä varaosia.
- Käytä aina työrukkasia, kun korjaat terälaitetta. Terät ovat erittäin teräviä ja voivat helposti aiheuttaa vahinkoja.

## Asentaminen

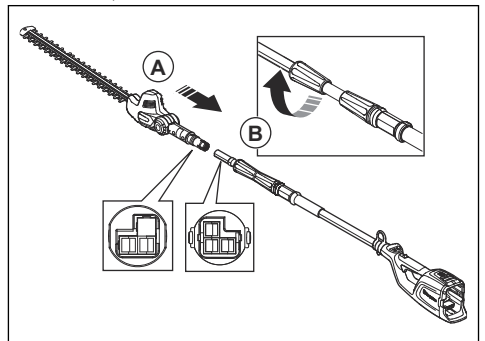
### Johdanto



**VAROITUS:** Lue ja sisäistä turvallisuutta käsittelevä luku ennen laitteen asentamista.

### Runkoputken asennus

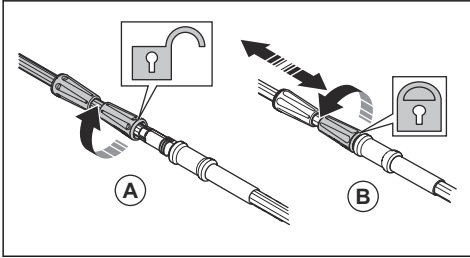
1. Varmista, että sähköliitännät ovat kohdakkain.



2. Liitä runkoputken (A) päät yhteen kokonaan.
3. Kiristä ruuvikahva pensasleikkuripään puoleisessa runkoputkessa (B).

## Runkoputken pituuden säätäminen

1. Löysää runkoputken akkukotelon puoleista ruuvikahvaa (A).

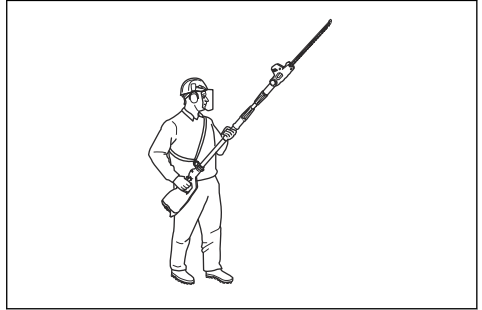


2. Säädä runkoputken pituus sopivaksi.
3. Kiristä ruuvikahva (B).

## Valjaiden säätäminen

Käytä aina valjaita, kun käytät konetta. Valjaat takaavat parhaan hallittavuuden koneen käytön aikana. Valjaat vähentävät käsien ja selän väsymistä.

1. Pue valjaat päällesi.
2. Kiinnitä kone valjaiden ripustuskoukkuun.
3. Säädä valjaiden pituus siten, että ripustuskoukku on suunnilleen oikean lonkkasi korkeudella.



## Käyttö

### Johdanto



**VAROITUS:** Lue ja sisäistä turvallisuutta käsittelevä luku ennen laitteen käyttöä.

### Toimet ennen laitteen käynnistämistä

1. Tarkista työalue. Poista esineet, jotka voivat sinkoutua ilmaan.
2. Tarkista terälaite. Varmista, että terät ovat teräviä ja että niissä ei ole halkeamia tai muita vaurioita.
3. Tarkista, että laite toimii oikein. Tarkista, että kaikki mutterit ja ruuvit on kiristetty.
4. Varmista, että kahva ja turvalaitteet eivät ole vaurioituneet ja että ne on kiinnitetty oikein. Älä käytä laitetta, jos siitä puuttuu osia tai jos sen alkuperäisiä ominaisuuksia on muutettu. Käytä tarvittaessa suojakäsiineitä.
5. Varmista ennen laitteen käyttöä, että suojukset eivät ole vaurioituneet ja että ne on kiinnitetty oikein.

### Akkulaturin kytkeminen

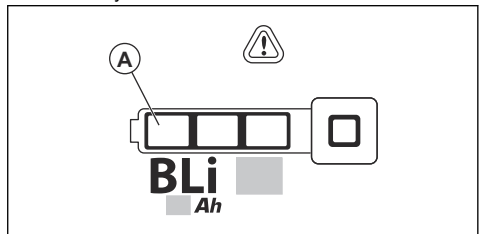
1. Kytke akkulaturi tyypikkilven mukaiseen verkkovirtaan ja taajuuteen.
2. Aseta pistoke maadoitettuun pistorasiaan. Akkulaturin vihreä merkkivalo vilkkuu kerran.

**Huomautus:** Akku ei lataudu, jos sen lämpötila on yli 50 °C / 122 °F. Jos lämpötila on yli 50 °C / 122 °F, akkulaturi jäädyttää akkua ennen latautumista.

### Akun kytkeminen akkulaturiin

**Huomautus:** Lataa akku, jos sitä käytetään ensimmäisen kerran. Uuden akun varaus on vain 30 %.

1. Varmista, että akku on kuiva.
2. Kytke akku akkulaturiin.
3. Varmista, että laturin vihreä latausvalo syttyy. Se kertoo, että akku on oikein kiinni akkulaturissa.
4. Kun akun kaikki merkkivalot (A) syttyvät, akku on ladattu täyteen.



5. Irrota akkulaturi pistorasiasta vetämällä pistoketta. Älä vedä virtajohdosta.
6. Irrota akku akkulaturista.

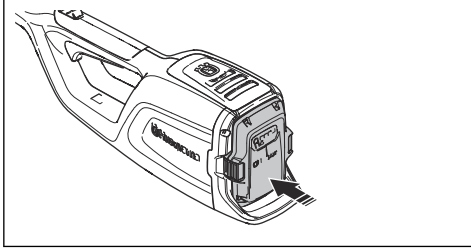
**Huomautus:** Katso lisätietoja akun ja akkulaturin käyttöohjeista.

## Akun kiinnittäminen laitteeseen



**VAROITUS:** Käytä laitteessa vain alkuperäisiä Husqvarna-akkuja.

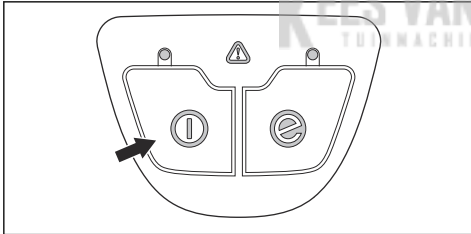
1. Varmista, että akku on täysin ladattu.
2. Aseta akku laitteen akun pidikkeeseen. Jos akku ei asetu pidikkeeseen vaivatta, sitä ei ole asennettu oikein.



3. Paina akun alaosaa ja työnnä akku kokonaan akun pidikkeeseen. Akku lukittuu paikalleen, kun kuulet napsahduksen.
4. Varmista, että salvat lukkiutuvat oikein paikoilleen.

## Laitteen käynnistäminen

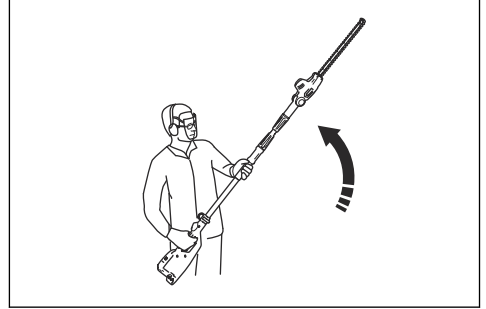
1. Paina käynnistys-/pysäytyspainiketta, kunnes vihreä merkkivalo syttyy.



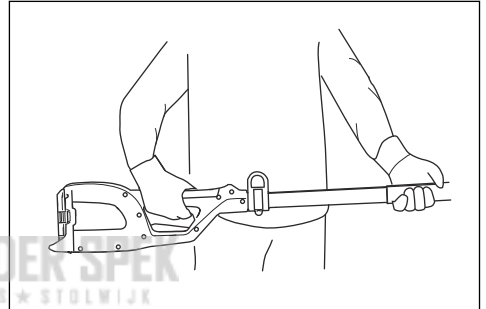
2. Vedä käyttöliipaisimen varmistinta taaksepäin ja pidä käyttöliipaisinta painettuna.

## Laitteen käyttö

- Käynnistä lähellä maata ja nosta laitetta aitaan pitkin leikatessasi sivuja.



- Pidä laite mahdollisimman lähellä kehoasi, jotta voit työskennellä tasapainoisessa asennossa.

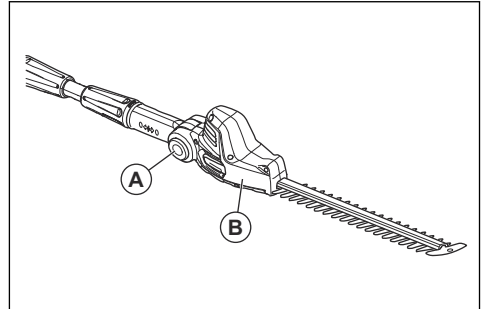


- Pidä huolta, ettei terälaitteen kärki kosketa maahan.
- Ole varovainen ja käytä laitetta hitaasti, kunnes kaikki oksat on leikattu oikein.

## Terälaitteen kulman säätäminen

Terälaitteen voi säätää seitsemään eri asentoon.

1. Pysäytä laite ja irrota akku.



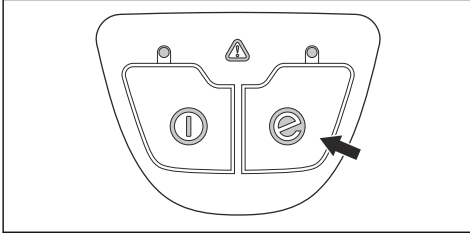
2. Pidä kotelosta (B) kiinni tiukasti.
3. Pidä lukituspainikkeita (A) painettuna koteloa (B) molemmin puolin.
4. Siirrä terälaite oikeaan kulmaan.
5. Vapauta lukituspainikkeet (A) molemmilta puolilta.

6. Liikuta koteloa (B) ylös- ja alaspäin, kunnes terälaite lukittuu paikalleen.

## SavE-toiminnon käynnistäminen

Laitteessa on SavE-toiminto. SavE-toiminto takaa pisimmän mahdollisen käyttöajan yhdellä akun latauksella.

1. Paina SavE-painiketta. Merkkivalo syttyy sen merkiksi, että -toiminto on käytössä.



2. Sammuta SavE-toiminto painamalla uudestaan SavE-painiketta.

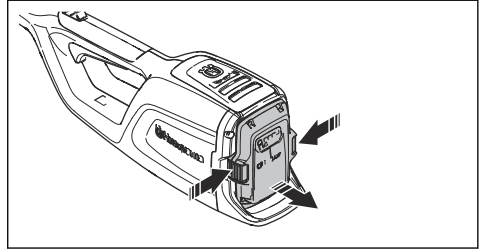
## Automaattinen sammutustoiminto

Laitteessa on automaattinen pysäytystoiminto, joka pysäyttää laitteen, kun sitä ei käytetä. Vihreä virran

merkkivalo sammuu, ja laite pysähtyy 60 sekunnin kuluttua.

## Laitteen pysäyttäminen

1. Vapauta käyttölipaisin.
2. Pidä käynnistys-/pysäytyspainiketta painettuna, kunnes vihreä merkkivalo sammuu.
3. Irrota akku laitteesta. Paina kahta vapautuspainiketta ja vedä akku ulos.



# Huolto

## Johdanto



**VAROITUS:** Lue ja sisäistä turvallisuutta käsittelevä luku ennen laitteen huoltamista.



**VAROITUS:** Irrota akku ennen laitteen huoltamista.

## Huoltokaavio

Alla on luettelo laitteelle tehtävistä huoltotoimista.

Huolto	Aina ennen käyttöä	Viikoittain	Kuukausittain
Puhdista laitteen ulko-osat.	X		
Tarkista, että käynnistys-/pysäytyskytkin toimii kunnolla ja että se on ehjä.	X		
Varmista, että käyttölipaisin ja sen varmistin toimivat asianmukaisesti turvallisuuksi ajatellen.	X		
Varmista, että kaikki ohjaimet toimivat ja ovat ehjiä.	X		
Varmista, että leikkuuterässä ja leikkuuterän suojuksessa ei ole halkeamia tai muita vaurioita. Vaihda leikkuuterä tai leikkuuterän suojuksen, jos niissä on halkeamia tai jos niihin on kohdistunut iskuja.	X		
Vaihda leikkuuterä, jos se on taipunut tai vaurioitunut.	X		
Varmista, että kaikki ruuvit ja mutterit on kiristetty.	X		

Huolto	Aina ennen käyttöä	Viiikoittain	Kuukausittain
Varmista, ettei akku ole vaurioitunut.	X		
Varmista, että akku on ladattu.	X		
Varmista, että akkulaturi ei ole vaurioitunut.	X		
Varmista, että leikkuuterien kiinnitysruuvit on kiristetty oikein.		X	
Tarkista akun ja laitteen väliset kytkennät. Tarkista akun ja akkulaturin välinen kytkentä.			X

## Akun ja akkulaturin tarkistaminen

1. Tarkista akku vaurioiden, kuten halkeamien, varalta.
2. Tarkista akkulaturi vaurioiden, kuten halkeamien, varalta.
3. Varmista, että akkulaturin johto ei ole vaurioitunut ja ettei siinä ole murtumia.

## Laitteen, akun ja akkulaturin puhdistaminen

1. Puhdista laite käytön jälkeen kuivalla liinalla.
2. Puhdista akku ja akkulaturi kuivalla liinalla. Pidä akun ohjaukiskot puhtaina.
3. Varmista, että akun ja akkulaturin liittimet ovat puhtaat ennen kuin akku asetetaan akkulaturiin tai laitteeseen.

## Leikkuuterän tarkastaminen

1. Puhdista leikkuuterät ylimääräisistä materiaaleista korroosiolta suojaavalla puhdistusaineella ennen laitteen käyttöä ja käytön jälkeen.
2. Tutki leikkuuterien särämät vaurioiden ja vääntymien varalta.

3. Viilaa leikkuuterien jäysteet pois.
4. Varmista, että leikkuuterät liikkuvat vapaasti.

## Terien puhdistaminen ja voitelemine

1. Puhdista terät ylimääräisistä materiaaleista ennen laitteen käyttöä ja käytön jälkeen.
2. Voitele terät ennen pidempiaikaista säilytystä.

**Huomautus:** Lisätietoja suosittelusta puhdistus- ja voiteluaineista saat huoltoliikkeestä.

## Vaihteen voitelemine

Levitä rasvaa vaihekoteloon, jos valtuutettu huoltoliike on purkanut vaihteen.

- Käytä Husqvarna-erikoisrasvaa. Lisätietoja suositellusta rasvasta saat huoltoliikkeestä.
- Käytä ainoastaan pieni määrä laadukasta erikoisrasvaa.



**HUOMAUTUS:** Älä täytä vaihekotelo kokonaan.

## Vianmääritys

### Näppäimistö

Merkivalot	Mahdolliset viat	Mahdolliset ratkaisut
Vian merkivalo vilkkuu.	Ylikuormitus	Terälaite ei pääse liikkumaan vapaasti. Vapauta terälaite.
Kone ei käynnisty.	Likaa akkuliittimissä.	Puhdista akkuliittimet paineimalla tai pehmeällä harjalla.
Vian merkivalo syttyy punaisena.	Laite tarvitsee huoltoa.	Ota yhteyttä huoltoliikkeeseen.

## Akku

LED-näyttö	Mahdolliset viat	Mahdolliset toimenpiteet
Vihreä merkkivalo vilkkuu	Matala akun jännite.	Lataa akku.
Vian merkkivalo vilkkuu.	Lämpötilavaihtelu.	Käytä akkua -10–40 °C:n lämpötilassa.
	Liian korkea jännite.	Varmista, että verkkojännite vastaa laitteen kiinnitetyssä arvokilvessä ilmoitettua jännitettä.
		Irrota akku akkulaturista.
Vian merkkivalo palaa.	Akkukennoston väli liian suuri (1 V).	Ota yhteyttä huoltooliikkeeseen.

## Akkulaturi

Vika	Mahdolliset viat	Mahdollinen ratkaisu
Punainen vian merkkivalo vilkkuu	Lämpötilavaihtelu.	Käytä akkua -5–41 °C:n lämpötilassa.
Punainen virheen merkkivalo syttyy.	Akkukennoston väli liian suuri (1 V).	Ota yhteyttä huoltooliikkeeseen.

## Kuljettaminen, säilyttäminen ja hävittäminen

### Kuljetus ja säilytys

- Mukana tulleet litiumioniakut ovat vaarallisten aineiden lainsäädännön määräysten mukaisia.
- Pakkausta ja merkintöjä koskevia erityismääryksiä on noudatettava, myös kolmansien osapuolten tai huolitsijoiden järjestämässä tavarakuljetuksessa.
- Keskustele erityiskoulutuksen saaneen vaarallisten aineiden asiantuntijan kanssa ennen tuotteen lähettämistä. Noudata kaikkia kansallisia määräyksiä.
- Teippaa paljaat liittimet asettaessasi akun pakettiin. Aseta akku pakettiin tiukasti niin, ettei se pääse liikkumaan.
- Irrota akku varastoinnin tai kuljetuksen ajaksi.
- Aseta akku ja akkulaturi paikkaan, johon kosteus tai pakkanen eivät pääse.
- Älä säilytä akkua paikassa, jossa on staattista sähköä. Älä säilytä akkua metallilaatikossa.
- Säilytä akkua varastossa, jossa lämpötila on 5–25°C ja jossa se ei ole suorassa auringonvalossa.
- Säilytä akkulaturia varastossa, jossa lämpötila on 5–45°C ja jossa se ei ole suorassa auringonvalossa.
- Käytä akkulaturia ainoastaan 5–40 °C:n lämpötiloissa.

- Lataa akku ennen pitkäaikaista säilytystä niin, että sen varaustaso on 30–50 %.
- Säilytä akkua kuivassa ja suljetussa tilassa.
- Pidä akku erillään akkulaturista varastoinnin aikana. Älä anna lasten tai asiaankuulumattomien henkilöiden koskea laitteeseen. Säilytä laitetta lukollisessa tilassa.
- Puhdista laite ja tee täysi huolto ennen pitkäaikaista säilytystä.
- Käytä kuljetussuojusta kuljetuksen ja varastoinnin aikana vaurioiden ja vammojen välttämiseksi.
- Kiinnitä laite hyvin kuljetuksen ajaksi.

### Akun, akkulaturin ja laitteen hävittäminen

Laitteessa tai sen pakkauksessa olevat symbolit osoittavat, ettei laitetta saa hävittää kotitalousjätteen mukana. Vie se asianmukaiseen sähkö- ja elektroniikkalaitteiden keräyspisteeseen. Tämä auttaa estämään sekä ympäristö- että henkilövahinkoja.

Lisätietoja laitteen kierrätyksestä saat paikallisilta viranomaisilta, kotitalousjätepalvelulta tai jälleenmyyjältä.

## Tekniset tiedot

### Tekniset tiedot

	<b>120ITK4-H</b>
<b>Moottori</b>	
Moottorityyppi	PMDC 36V
<b>Paino</b>	
Paino ilman akkua, kg	4,6
Paino akun kanssa (oletusakku BLi10), kg	5,3
<b>Melupäästöt<sup>13</sup></b>	
Äänentehotaso, mitattu dB(A)	91,32
Äänentehotaso, taattu L <sub>WA</sub> dB(A)	94
<b>Äänitasot<sup>14</sup></b>	
Äänenpainetaso käyttäjän korvan tasalla mitattuna standardien EN 62841-1 ja EN 62841-4-2 mukaan, dB (A)	81,3
<b>Tärinätasot<sup>15</sup></b>	
Tärinätasot (a <sub>h</sub> ), etu-/takakavhat, m/s <sup>2</sup> Katso EN 62841-1 ja EN 62841-4-2.	1.223/0.816
<b>Terälaite</b>	
Tyyppi	Kaksipuolinen
Terän pituus, mm	500
Terän nopeus viiltoa/min SavE-tilassa	2250
Terän nopeus viiltoa/min ilman SavE-tilaa	2800

### Hyväksytyt akkulaturit

<b>Akkulaturi</b>	<b>QC80</b>
Tulojännite, V	100–240
Taajuus, Hz	50–60
Teho, W	100

<sup>13</sup> Melupäästö ympäristöön äänitehona (L<sub>WA</sub>) EY-direktiivin 2000/14/EY mukaisesti mitattuna. Taatun ja mitatun äänentehon erona on se, että taattu äänenteho sisältää myös mitatun tuloksen hajonnan ja vaihtelun saman mallin eri laitteiden välillä direktiivin 2000/14/EY mukaisesti.

<sup>14</sup> Tyypillinen ekvivalentin äänenpainetason tilastollinen hajonta on 3 dB (A):n vakiopoikkeama.

<sup>15</sup> Tärinätasolle ilmoitetuissa tiedoissa tyypillinen tilastollinen hajonta (vakiopoikkeama) on 1,5 m/s<sup>2</sup>.

Ilmoitettu tärinän kokonaisarvo on mitattu normaalin testimenetelmän mukaisesti, ja sen avulla voi verrata työkaluja keskenään.

Ilmoitettua tärinän kokonaisarvoa voi käyttää myös altistuksen alustavassa arvioinnissa.

<b>Akkulaturi</b>	<b>QC80</b>
Lähtöjännite, V DC/A	36/2

### Laitteeseen hyväksytyt akut

<b>Akku</b>	<b>BLi10</b>
Tyyppi	Litiumioni
Akun kapasiteetti, Ah	Katso akun tyyppikilpi
Nimellisjännite, V	36
Paino, kg	0,7

**KEES VAN DER SPEK**  
TUINMACHINES ★ STOLWIJK



### EY-vaatimustenmukaisuusvakuutus

**Husqvarna AB**, SE-561 82 Huskvarna, Ruotsi, puh.: +46-36-146500, vakuuttaa täten, että pitkävärtinen pensasleikkuri **Husqvarna 120ITK4-H** alkaen vuoden 2021 sarjanumeroista (vuosi on ilmoitettu arvokilvessä ennen sarjanumeroa) on valmistettu noudattaen seuraavaa NEUVOSTON DIREKTIIVIÄ:

- 17. toukokuuta 2006 annettu konedirektiivi **2006/42/EY**.
- 26. helmikuuta 2014 annettu direktiivi **2014/30/EY** sähkömagneettisesta yhteensopivuudesta.
- 8. kesäkuuta 2011 annettu direktiivi **2011/65/EU** tiettyjen vaarallisten aineiden käytön rajoittamisesta

Seuraavia standardeja on sovellettu:

**EN 62841-1:2015, EN 62841-4-2:2019, EN 55014-1:2017+A11, EN 55014-2:2015, CISPR12:2007+A1 2009, EN IEC 63000:2018.**

TÜV Rheinland LGA Products GmbH, Tillystrasse 2, D-90431 Nuernberg, Germany on suorittanut Husqvarna AB:n puolesta vapaaehtoisen tyyppitarkastuksen. Sertifikaatin numero on: **AM 50491653 0001**.

Huskvarna 2020-12-30



Pär Martinsson, kehityspäällikkö (Husqvarna AB:n valtuutettu ja teknisestä dokumentaatiosta vastaava edustaja)

# Sommaire

Introduction.....	90	Dépannage.....	104
Sécurité.....	92	Transport, entreposage et mise au rebut.....	105
Montage.....	99	Caractéristiques techniques.....	105
Utilisation.....	100	Déclaration de conformité CE.....	108
Entretien.....	102		

# Introduction

## Description du produit

Husqvarna 120iTK4-H est un taille-haie télescopique sur perche à batterie.

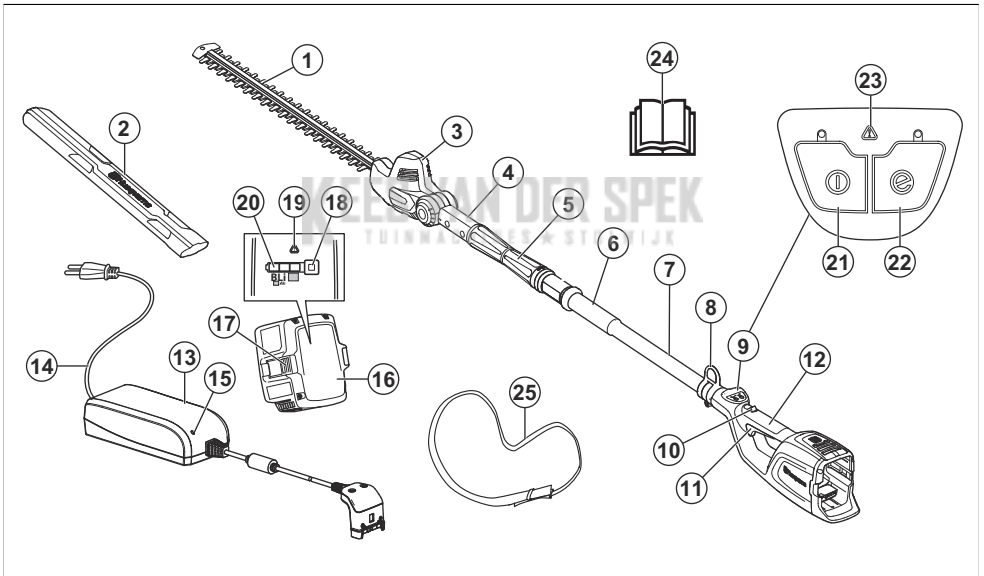
Nous travaillons en permanence à l'amélioration de votre sécurité et de votre efficacité pendant l'utilisation.

Pour davantage d'informations, contactez votre atelier d'entretien.

## Utilisation prévue

Utilisez le produit pour couper les branches et les rameaux. N'utilisez pas ce produit pour d'autres travaux.

## Aperçu du produit



- |  |   |
|--|---|
| 1. Lame                                    | 12. Poignée arrière                       |
| 2. Protection de transport                 | 13. Chargeur de batterie                  |
| 3. Carter                                  | 14. Fil                                   |
| 4. Poignée de séparation de positionnement | 15. Mise sous tension/LED d'avertissement |
| 5. Fonction télescopique                   | 16. Batterie                              |
| 6. Poignée avant                           | 17. Boutons de libération de la batterie  |
| 7. Arbre                                   | 18. Indicateur de batterie                |
| 8. Crochet de suspension du harnais        | 19. LED d'avertissement                   |
| 9. Clavier                                 | 20. Indicateur de batterie LED            |
| 10. Blocage de la gâchette de puissance    | 21. Bouton marche/arrêt                   |
| 11. Gâchette de puissance                  | 22. Bouton SavE                           |

- 23. LED d'avertissement
- 24. Manuel de l'opérateur
- 25. Harnais

## Symboles concernant le produit



**AVERTISSEMENT !** Ce produit est dangereux. L'utilisateur ou les personnes situées à proximité peuvent subir des blessures graves ou mortelles si le produit n'est pas utilisé correctement et avec précaution. Pour éviter de blesser l'utilisateur ou d'autres personnes, lisez et respectez toutes les consignes de sécurité du manuel d'utilisation. Veuillez lire attentivement le manuel d'utilisation et assurez-vous de bien comprendre les instructions avant utilisation.



Utilisez un casque de protection dans les endroits où des objets peuvent tomber sur vous. Utilisez des protège-oreilles homologués. Utilisez des protections pour les yeux homologuées.



Utilisez des gants de protection homologués.



Le produit est conforme aux directives CE en vigueur.



Tension nominale, V



Courant continu.



Ne les exposez pas à la pluie.



Gardez vos mains à distance de la lame.



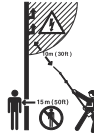
Fonction télescopique.



Fonction de séparation.



Tournez vers la gauche pour desserrer le bouton, tournez vers la droite pour serrer le bouton.



Ce produit ne possède pas d'isolation. Si le produit entre en contact avec ou est utilisé à proximité de lignes conductrices de tension, ceci peut entraîner des blessures graves, voire mortelles. Le courant peut être transmis d'un point à un autre par un arc électrique. Plus la tension est élevée, plus la distance parcourue par le courant est grande. Le courant peut également être transmis par des branches et d'autres objets, particulièrement s'ils sont mouillés. Toujours conserver une distance minimum de 10 m entre le produit et la ligne conductrice d'électricité et/ou tout objet en contact avec cette ligne. Si vous devez travailler dans cette distance de sécurité, contactez toujours la compagnie électrique concernée pour vous assurer que la tension a été coupée avant de commencer les travaux. Restez à une distance minimum de 15 m des autres personnes ou animaux pendant l'utilisation.

yyyywwxxxx

La plaque signalétique indique le numéro de série. **yyyy** désigne l'année de production, **ww** désigne la semaine de production.

**Remarque:** Les autres symboles/autocollants présents sur le produit concernent des exigences de certification spécifiques à certains marchés.

## Symboles sur la batterie et/ou son chargeur



Déposez ce produit dans une station de recyclage pour équipements électriques et électroniques. (Concerne seulement l'Europe)



Transformateur à sécurité intégrée.



Utilisez et stockez le chargeur de batterie en intérieur uniquement.



Double isolation.

## Responsabilité

Conformément à la loi sur la responsabilité du fait des produits, nous déclinons toute responsabilité pour tout dommage causé par notre produit si :

- le produit n'est pas correctement réparé ;
- le produit est réparé avec des pièces qui ne proviennent pas du fabricant ou qui ne sont pas homologuées par le fabricant ;

- le produit est équipé d'un accessoire qui ne provient pas du fabricant ou qui n'est pas homologué par le fabricant ;
- le produit n'est pas réparé par un centre d'entretien agréé ou par une autorité homologuée.

---

## Sécurité

---

### Définitions de sécurité

Des avertissements, des recommandations et des remarques sont utilisés pour souligner des parties spécialement importantes du manuel.



**AVERTISSEMENT:** Symbole utilisé en cas de risque de blessures ou de mort pour l'opérateur ou les personnes à proximité si les instructions du manuel ne sont pas respectées.



**REMARQUE:** Symbole utilisé en cas de risque de dommages pour le produit, d'autres matériaux ou les environs si les instructions du manuel ne sont pas respectées.

**Remarque:** Symbole utilisé pour donner des informations supplémentaires pour une situation donnée.

### Consignes générales de sécurité relatives à l'outil à moteur



**AVERTISSEMENT:** Lire toutes les consignes et instructions de sécurité. Le non-respect des consignes et mises en garde peut être à l'origine d'un choc électrique, d'un incendie et/ou de blessures graves.

**Remarque:** Conservez toutes ces consignes et instructions pour toute consultation ultérieure. Le terme « outil électrique » utilisé dans les avertissements fait référence à l'outil branché sur secteur (fil) ou à l'outil alimenté par batterie (sans fil).

### Sécurité dans l'espace de travail

- **Maintenez un espace de travail propre et bien éclairé.** Les espaces encombrés ou sombres exposent à des accidents.

- **N'utilisez pas de machines à usiner dans des atmosphères explosives, en présence de liquides, de gaz ou de poussières inflammables par exemple.** Les machines à usiner provoquent des étincelles qui peuvent enflammer la poussière ou les vapeurs.
- **Tenez les enfants et les spectateurs à distance lorsque la machine à usiner est en marche.** Un moment d'inattention peut vous faire perdre le contrôle.

### Sécurité électrique

- **Les fiches des machines à usiner doivent être adaptées à la prise. N'apportez jamais de modifications à la fiche. Ne pas utiliser de fiches d'adaptation avec des machines mises à la terre.** Des fiches non modifiées et des prises compatibles réduisent le risque de choc électrique.
- **Évitez tout contact physique avec les surfaces mises à la terre telles que les tuyaux, les radiateurs, les cuisinières et les réfrigérateurs.** Le risque d'électrocution est plus important si le corps est relié à la terre.
- **Ne pas exposer les outils électriques à la pluie ou à l'humidité.** L'infiltration d'eau dans une machine à usiner augmente le risque d'électrocution.
- **Ne malmenez pas le cordon. N'utilisez jamais le cordon pour porter, tirer ou débrancher la machine. Maintenez le cordon d'alimentation à l'écart de la chaleur, de bords tranchants ou de pièces en mouvement.** Les fils endommagés ou emmêlés augmentent le risque de choc électrique.
- **Lorsque vous utilisez un outil électrique à l'extérieur, utilisez une rallonge électrique adaptée à l'usage extérieur.** L'utilisation d'un cordon d'alimentation pour usage extérieur réduit le risque d'électrocution.
- **Si vous n'avez d'autre choix que d'utiliser un outil électrique dans un endroit humide, utilisez une alimentation protégée par un dispositif de courant résiduel (RCD).** L'utilisation d'un RCD réduit le risque de choc électrique.

### Sécurité du personnel

- **Restez attentif, regardez ce que vous faites et ayez recours à votre bon sens lorsque vous utilisez un outil électrique. N'utilisez pas d'outil électrique si vous êtes fatigué ou si vous êtes sous l'emprise de drogues, d'alcool ou de médicaments.** Un moment

d'inattention pendant l'utilisation des machines à usiner peut entraîner des blessures corporelles graves.

- **Utilisez un équipement de protection personnelle. Travaillez toujours avec des lunettes de protection.** Les équipements de protection tels que le masque anti-poussière, les chaussures de sécurité antidérapantes, le casque ou le protège-oreilles utilisés dans des conditions appropriées réduisent les blessures corporelles.
- **Évitez tout démarrage intempestif. Vérifiez que l'interrupteur est en position d'arrêt avant de brancher l'outil sur l'alimentation et/ou la batterie, de le ramasser ou de le transporter.** Le fait de garder le doigt sur l'interrupteur pendant le transport des outils ou le branchement des machines alors que l'interrupteur est en position ON expose à des accidents.
- **Retirez toute clé ou clavette de calage avant de mettre la machine à usiner sous tension.** Une clé ou une clavette reliée à une pièce mobile de la machine à usiner peut entraîner des blessures corporelles.
- **Ne vous éloignez pas trop. Restez toujours en équilibre et sur vos appuis.** Cela favorise le contrôle de la machine à usiner dans les situations inattendues.
- **Habilitez-vous correctement. Ne portez jamais de vêtements amples ou de bijoux. Éloignez vos cheveux et vos vêtements des pièces mobiles.** Les vêtements amples, les bijoux et les cheveux longs peuvent rester coincés dans les pièces mobiles.
- **Si des dispositifs sont fournis pour raccorder des systèmes de collecte et d'extraction de la poussière, vérifiez qu'ils sont correctement branchés et utilisés.** L'utilisation de systèmes de collecte de poussière peut réduire les risques associés à la poussière.
- **La connaissance des outils, acquise par l'usage fréquent de ces derniers, ne doit pas vous dispenser d'être prudent et d'appliquer les principes de sécurité.** Une action inconsidérée peut provoquer de graves blessures en une fraction de seconde.
- Les émissions de vibrations durant l'utilisation de l'appareil peuvent différer de la valeur totale déclarée en fonction de la manière dont l'outil est utilisé. En vue de se protéger, les opérateurs devraient établir des mesures de sécurité basées sur une estimation de leur exposition dans les conditions d'utilisation réelles (en tenant compte de toutes les phases du cycle opératoire, comme, par exemple, lorsque l'outil est éteint et lorsqu'il fonctionne en mode ralenti ou au gaz).

## Utilisation et entretien de la machine à usiner

- **Ne forcez pas sur la machine à usiner. Utilisez la machine à usiner qui convient à l'application.** La machine qui convient réalisera mieux son travail et de façon plus sûre, à la vitesse pour laquelle elle a été conçue.
- **N'utilisez pas la machine à usiner si l'interrupteur ne permet pas la mise sous tension ou l'arrêt.** Toute

machine à usiner impossible à commander avec l'interrupteur est dangereuse et doit être réparée.

- **Débrancher la fiche de la prise et/ou du bloc d'alimentation avant de procéder aux réglages, de changer les accessoires ou de stocker la machine.** Ces mesures de sécurité préventive réduisent le risque de mise sous tension accidentelle de la machine à usiner.
- **Rangez les machines à usiner hors de la portée des enfants et ne pas laisser des personnes qui ne connaissent pas la machine ou ces consignes utiliser l'appareil.** Les machines à usiner sont dangereuses si elles sont entre les mains d'utilisateurs non formés.
- **Entretenez les machines à usiner. Vérifier le mauvais alignement ou la fixation des pièces mobiles, l'éventuelle rupture des pièces ou toute autre condition susceptible d'altérer le fonctionnement de la machine. Si elle est endommagée, la machine à usiner doit être réparée avant toute réutilisation.** De nombreux accidents sont dus à des machines mal entretenues.
- **Maintenez les outils tranchants aiguisés et propres.** Des outils tranchants correctement entretenus avec des bords aiguisés sont moins susceptibles de se coincer et sont plus faciles à contrôler.
- **Utiliser la machine à usiner, les accessoires, les grains, etc. en suivant ces consignes et en tenant compte des conditions de travail et de la tâche à réaliser.** Il est dangereux d'utiliser l'outil électrique pour tout autre usage que celui prévu.
- **Les poignées et les surfaces de maintien doivent toujours être propres, sèches et sans traces d'huile ni de graisse.** Les poignées et les surfaces de maintien glissantes ne permettent pas une manipulation et un contrôle sûrs de l'outil dans des situations inattendues.

## Utilisation et entretien d'un outil à batterie

- **Ne rechargez la machine qu'avec le chargeur indiqué par le fabricant.** Un chargeur convenant à un type de bloc de batteries particulier peut entraîner un risque d'incendie s'il est utilisé avec un autre bloc.
- **N'utilisez des outils à moteur qu'avec des blocs de batteries spécifiquement désignés.** L'utilisation d'une autre batterie peut entraîner un risque de blessure et d'incendie.
- **Lorsque la batterie n'est pas utilisée, maintenez-la à distance d'objets métalliques, tels que des trombones, pièces de monnaie, clés, clous, vis, ou autres petits objets en métal risquant de relier une borne à l'autre.** Court-circuiter les bornes de batterie entraîne un risque de brûlures et d'incendie.
- **En cas d'utilisation abusive, du liquide peut s'échapper de la batterie ; évitez tout contact. En cas de contact accidentel, rincez à l'eau. En cas de contact avec les yeux, consultez un médecin.** Le liquide échappé de la batterie peut causer irritations et brûlures.

- **N'utilisez pas un bloc batterie ou un outil endommagé ou modifié.** Les batteries endommagées ou modifiées peuvent présenter un comportement imprévisible pouvant provoquer un incendie, une explosion ou un risque de blessure.
- **N'exposez pas un bloc batterie ou un outil au feu ou à des températures trop élevées.** L'exposition au feu ou à des températures supérieures à 130 °C / 265 °F peut provoquer une explosion.
- **Respectez toutes les instructions de charge et ne chargez pas le bloc batterie ou l'outil en dehors de la plage de température spécifiée dans les instructions.** Ne pas charger la batterie correctement ou la charger à des températures comprises en dehors de la plage spécifiée peut endommager la batterie et augmenter le risque d'incendie.

## Entretien

- **Confiez l'entretien de votre outil électrique à un mécanicien qualifié qui utilisera uniquement des pièces de rechange identiques.** Cela permet de garantir la sécurité de la machine.
- **Ne jamais entretenir des batteries endommagées.** L'entretien des batteries doit être effectué uniquement par le fabricant ou des fournisseurs de services agréés.

## Consignes de sécurité pour taille-haie

- **Maintenez toutes les parties de votre corps à distance de la lame. Ne retirez pas la matière coupée et n'attrapez pas la matière à couper lorsque les lames bougent.** Les lames continuent de bouger une fois l'interrupteur en position d'arrêt. Un moment d'inattention pendant l'utilisation du taille-haie peut entraîner des blessures personnelles graves.
- **Portez le taille-haie par la poignée avec la lame à l'arrêt en prenant soin de ne pas actionner d'interrupteur d'alimentation.** Un transport approprié du taille-haie diminue le risque de démarrage involontaire et de blessures corporelles provoquées par les lames.
- **Mettez toujours la protection de la lame lors du transport ou du remisage du taille-haie.** Une manipulation appropriée du taille-haie réduit le risque de blessures corporelles provoquées par les lames.
- **Lorsque vous dégagez la matière coincée ou que vous procédez à l'entretien de l'unité, assurez-vous que tous les interrupteurs d'alimentation sont en position d'arrêt et que le cordon d'alimentation est débranché.** Un démarrage inattendu du taille-haie lors du dégagement de la matière coincée ou de l'entretien peut entraîner des blessures corporelles graves.
- **Tenez le taille-haie par les surfaces de préhension isolées uniquement, car la lame risque d'entrer en contact avec du câblage caché ou son propre cordon.** Si les lames touchent un câble sous tension, elles risquent de mettre également sous tension les

- parties métalliques exposées du taille-haie, ce qui pourrait envoyer un choc électrique à l'utilisateur.
- **Maintenez tous les câbles et cordons d'alimentation à distance de la zone de coupe.** Les cordons d'alimentation et les câbles peuvent être masqués par des haies ou des buissons et être coupés accidentellement par la lame.
- **N'utilisez pas le taille-haie en cas de mauvaises conditions météorologiques, en particulier lorsqu'il y a un risque de foudre.** Cela permet de réduire le risque d'être frappé par la foudre.
- **Pour réduire le risque d'électrocution, n'utilisez jamais le taille-haie longue portée à proximité de lignes électriques.** Tout contact avec des lignes électriques ou toute utilisation à proximité de celles-ci peut provoquer des blessures graves ou un choc électrique pouvant entraîner la mort.
- **Utilisez toujours le taille-haie longue portée à deux mains.** Tenez le taille-haie longue portée avec les deux mains pour ne pas risquer de perdre le contrôle.
- **Utilisez toujours un casque lorsque vous utilisez le taille-haie longue portée en hauteur.** Les chutes de débris peuvent causer de graves blessures personnelles.

## Instructions générales de sécurité



**AVERTISSEMENT:** Lisez les instructions qui suivent avant d'utiliser le produit.

- Retirez la batterie afin d'éviter tout démarrage accidentel du produit.
- Ce produit est un outil dangereux si vous ne faites pas attention ou si vous l'utilisez de manière incorrecte. Ce produit peut causer des blessures graves, voire mortelles, à l'opérateur ou à d'autres personnes.
- N'utilisez pas le produit si ses caractéristiques initiales ont été changées. Ne remplacez pas une pièce du produit sans l'approbation du fabricant. Utilisez uniquement les pièces qui sont approuvées par le fabricant. Un entretien inapproprié peut causer des blessures graves, voire mortelles.
- Effectuez un contrôle du produit avant toute utilisation. Consultez les sections *Dispositifs de sécurité sur le produit à la page 97* et *Entretien à la page 102*. N'utilisez pas de produit défectueux. Appliquez les instructions de maintenance et d'entretien ainsi que les contrôles de sécurité indiqués dans ce manuel.
- Il convient de surveiller les enfants et de les empêcher de jouer avec le produit. Ne laissez jamais des enfants ou d'autres personnes ne possédant pas la formation requise utiliser ou entretenir le produit et/ou sa batterie. L'âge minimum de l'utilisateur peut être régi par les législations locales.

- Conservez le produit dans un endroit verrouillé afin que des enfants ou personnes qui ne sont pas autorisées à l'utiliser ne puissent pas y avoir accès.
- Rangez le produit hors de portée des enfants.
- Ne modifiez jamais le produit sans l'autorisation du fabricant. Utilisez uniquement des accessoires d'origine. Des modifications non autorisées et l'emploi d'accessoires non homologués peuvent provoquer des blessures graves, voire mortelles, à l'utilisateur ou des tierces personnes.

**Remarque:** les législations nationales ou locales peuvent réglementer l'utilisation de l'appareil. Respectez la législation en vigueur.

## Instructions de sécurité pour le fonctionnement



**AVERTISSEMENT:** Lisez les instructions qui suivent avant d'utiliser le produit.

- Dans l'éventualité d'une situation rendant la suite du travail incertaine, consultez un expert. Adressez-vous au revendeur ou à l'atelier de réparation. Évitez les tâches pour lesquelles vous ne vous sentez pas suffisamment qualifié.
- N'utilisez jamais le produit si vous êtes fatigué, avez consommé de l'alcool ou pris des médicaments susceptibles d'affecter votre vue, votre jugement ou la maîtrise de votre corps.
- Travailler par mauvais temps est cause de fatigue et peut être dangereux. En raison du risque supplémentaire, il n'est pas recommandé d'utiliser la machine dans de très mauvaises conditions météorologiques, par exemple, en cas de brouillard épais, de forte pluie, de vent violent, de froid intense, de risque d'orage, etc.
- Un accessoire de coupe défectueux peut augmenter les risques d'accidents.
- Ne laissez pas des enfants utiliser le produit ou s'en approcher. Dans la mesure où le produit est facile à démarrer, il est possible que des enfants arrivent à le mettre en route lorsque vous les quittez des yeux. Ceci peut entraîner un risque de graves blessures corporelles. Retirez la batterie lorsque vous n'êtes pas en mesure de surveiller le produit de près.
- Assurez-vous qu'aucune personne ou aucun animal ne se trouve à moins de 15 mètres de votre zone de travail. Lorsque plusieurs utilisateurs travaillent dans une même zone, il convient d'observer une distance de sécurité d'au moins 15 mètres. Autrement, cela peut entraîner un risque de graves blessures personnelles. Arrêtez immédiatement le produit si une personne s'approche. Ne tournez jamais sur vous-même avec le produit sans vous assurer d'abord que personne ne se trouve dans la zone de sécurité.
- Assurez-vous qu'aucune personne, aucun animal ou autre objet ne peut faire obstacle à votre contrôle du produit ou qu'ils n'entrent pas en contact avec des accessoires de coupe ou des objets lancés par celui-ci. Cependant, n'utilisez pas le produit s'il n'est pas possible d'appeler au secours en cas d'accident.
- Inspectez toujours la zone de travail. Retirez tous les objets tels que les pierres, les morceaux de verre, les clous, les fils de fer, les bouts de ficelle, etc. pouvant être projetés ou risquant de s'enrouler autour de l'équipement de coupe.
- Assurez-vous de pouvoir vous tenir et vous déplacer en toute sécurité. Repérez les éventuels obstacles (racines, pierres, branches, fossés, etc.) en cas de déplacement soudain. Observez la plus grande prudence lorsque vous travaillez sur des terrains en pente.
- Soyez bien en équilibre, les pieds d'aplomb, à tout moment. Ne vous éloignez pas trop.
- Éteignez le produit lorsque vous vous déplacez dans une autre zone. Fixez la protection de transport lorsque le produit n'est pas en cours d'utilisation.
- Ne posez jamais le produit au sol si vous ne l'avez pas éteint. Ne laissez pas le produit sans surveillance quand il est sous tension.
- Retirez la batterie avant de donner le produit à une autre personne.
- Vérifiez qu'aucun vêtement et qu'aucune partie du corps n'entre en contact avec l'accessoire de coupe lorsque le produit est en marche.
- Si un objet se bloque dans l'accessoire de coupe lorsque vous utilisez le produit, arrêtez et éteignez le produit. Assurez-vous que l'accessoire de coupe s'arrête complètement. Retirez la batterie avant de nettoyer, inspecter ou réparer le produit et/ou l'équipement de coupe.
- Éloignez vos mains et vos pieds de l'accessoire de coupe jusqu'à son arrêt complet, une fois le produit éteint.
- Attention aux éclats de bois pouvant être projetés durant le sciage. Ne coupez pas trop près du sol, où des cailloux et d'autres objets peuvent être projetés.
- Attention aux objets projetés. Portez toujours des protège-yeux homologués. Ne vous penchez jamais au-dessus de la protection de l'équipement de coupe. Des cailloux, débris, etc. peuvent être projetés dans les yeux et causer des blessures graves, voire la cécité.
- Soyez toujours attentif aux signaux d'alerte ou aux appels lorsque vous portez des protège-oreilles. Enlevez toujours vos protège-oreilles dès que le produit s'arrête.
- Ne jamais travailler debout sur une échelle, un tabouret, ou dans toute autre position élevée n'offrant pas une sécurité maximale.
- Cette machine génère un champ électromagnétique en fonctionnement. Ce champ peut, dans certaines circonstances, perturber le fonctionnement d'implants médicaux actifs ou passifs. Pour réduire

le risque de blessures graves ou mortelles, les personnes portant des implants médicaux doivent consulter leur médecin et le fabricant de leur implant avant d'utiliser cette machine.

- Tenez toujours le produit à deux mains. Tenez l'appareil du côté droit du corps.
- Arrêtez toujours le produit, retirez la batterie et vérifiez que l'équipement de coupe ne tourne pas avant de retirer la matière enroulée autour de l'axe de la lame ou coincée entre la protection et l'accessoire de coupe.
- Le champ électromagnétique généré pendant le fonctionnement peut interférer avec les implants médicaux actifs ou passifs. Il est conseillé aux personnes portant des implants médicaux de consulter leur médecin et le fabricant de leur implant avant d'utiliser ce produit.
- Maintenez le poids du produit avec le harnais pour en faciliter l'utilisation.
- Une exposition prolongée au bruit risque de causer des lésions auditives permanentes. Husqvarna recommande aux opérateurs d'utiliser des protections auditives homologuées.
- N'utilisez jamais un produit qui a été modifié au point de ne plus être conforme aux spécifications d'origine.
- N'utilisez jamais un produit qui n'est pas en parfait état de marche. Appliquez les instructions de maintenance et d'entretien ainsi que les contrôles de sécurité indiqués dans ce manuel d'utilisation. Certaines opérations de maintenance et d'entretien doivent être réalisées par un spécialiste dûment formé et qualifié. Voir les instructions à la section Entretien.
- Effectuez une inspection générale du produit avant de l'utiliser. Consultez le programme d'entretien.
- Ne laissez jamais d'autres personnes utiliser la machine sans vous être assuré au préalable que ces personnes ont bien compris le contenu du mode d'emploi.
- Vérifiez la zone de travail à la recherche de corps étrangers, tels que des câbles électriques, des animaux, etc. ou d'autres objets pouvant endommager l'équipement de coupe, tels que des objets en métal.
- Des couteaux en mauvais état augmentent le risque d'accident.

## Équipement de protection individuel

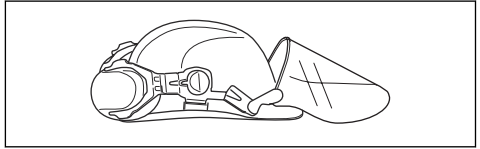


**AVERTISSEMENT:** Lisez les instructions qui suivent avant d'utiliser le produit.

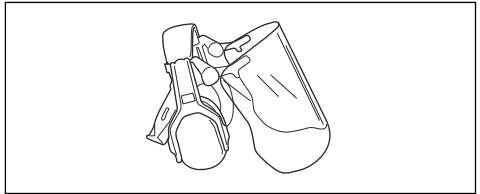
- Portez toujours un équipement de protection individuel homologué lorsque vous utilisez le produit. L'équipement de protection individuel ne protège pas complètement des blessures, mais il diminue la gravité des blessures en cas d'accident. Faites appel

à votre revendeur pour vous aider à sélectionner l'équipement adéquat.

- Portez un casque de protection lorsqu'il y a un risque de chute d'objets.

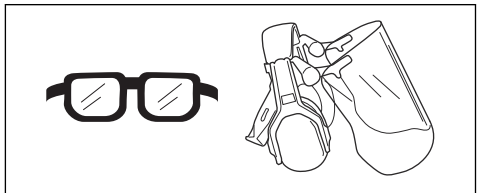


- Une exposition prolongée au bruit risque de causer des lésions auditives. En règle générale, les produits alimentés par batterie sont relativement silencieux mais peuvent s'avérer dangereux si le bruit s'accompagne d'une utilisation prolongée. Husqvarna recommande aux utilisateurs de porter des protège-oreilles lorsque le temps d'utilisation total est supérieur à une journée. Les utilisateurs réguliers doivent contrôler fréquemment leur audition.



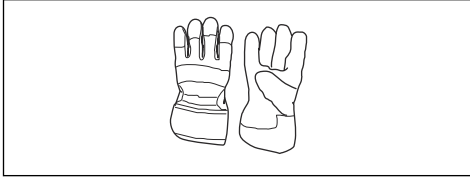
**AVERTISSEMENT:** Les protecteurs d'oreilles limitent la capacité à entendre les sons et les signaux d'avertissement.

- Utilisez des protections pour les yeux homologuées. L'usage d'une visière doit toujours s'accompagner du port de lunettes de protection homologuées. Par lunettes de protection homologuées, on entend celles qui sont en conformité avec les normes ANSI Z87.1 (États-Unis) ou EN 166 (pays de l'UE).

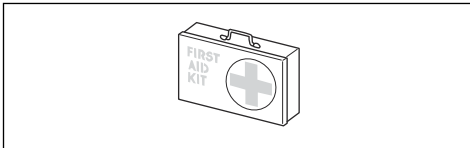




- Portez des gants de protection en cas de besoin, par exemple lorsque vous fixez, examinez ou nettoyez l'équipement de coupe.



- Portez des vêtements fabriqués dans un matériau résistant. Portez toujours des pantalons longs, épais et des manches longues. Ne portez pas de vêtements amples qui risqueraient de se prendre dans les brindilles et les branches. Ne portez pas de bijoux, de shorts, de sandales et ne marchez pas pieds nus. Attachez vos cheveux de façon sécurisée au-dessus de vos épaules.
- Gardez toujours une trousse de premiers soins à portée de main.



## Dispositifs de sécurité sur le produit



**AVERTISSEMENT:** Lisez les instructions qui suivent avant d'utiliser le produit.

Cette section présente les fonctions de sécurité, les instructions d'utilisation, de contrôle et d'entretien afin de garantir son bon fonctionnement. Consultez les instructions à la section *Aperçu du produit à la page 90* pour savoir où se trouvent ces équipements sur votre produit.

La durée de vie du produit risque d'être écourtée et le risque d'accidents accru si la maintenance du produit n'est pas effectuée correctement et si les mesures d'entretien et/ou de réparation ne sont pas effectuées de manière professionnelle. Pour plus d'informations, contactez l'atelier de réparation du revendeur le plus proche.



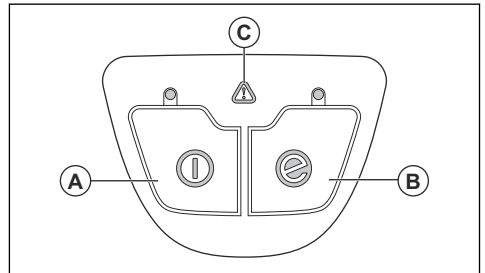
**AVERTISSEMENT:** N'utilisez jamais une machine dont les équipements de sécurité sont défectueux. Contrôlez et entretenez les équipements de sécurité du produit conformément aux instructions données dans ce chapitre. Si les contrôles du produit ne donnent pas de résultat positif, contactez votre agent d'entretien pour le faire réparer.



**REMARQUE:** L'entretien et la réparation de la machine exigent une formation spéciale. Ceci concerne particulièrement l'équipement de sécurité de la machine. Si les contrôles suivants ne donnent pas un résultat positif, adressez-vous à un atelier spécialisé. L'achat de l'un de nos produits offre à l'acheteur la garantie d'un service et de réparations qualifiés. Si le point de vente n'assure pas ce service, s'adresser à l'atelier spécialisé le plus proche.

## Pour contrôler le clavier

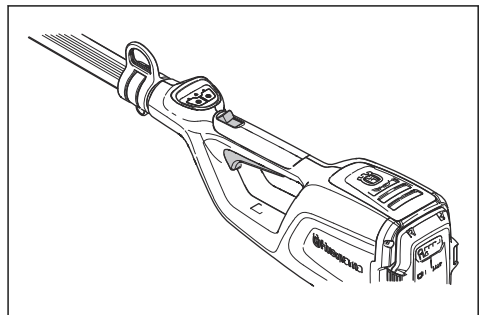
1. Appuyez et maintenez le bouton marche/arrêt (B) enfoncé.



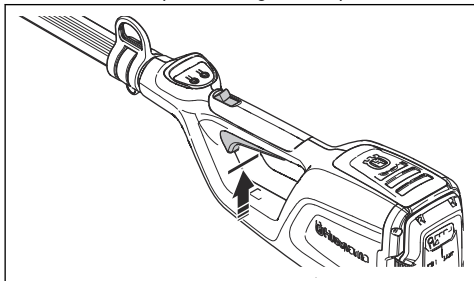
- a) Le produit est sous tension lorsque la LED est allumée.
  - b) Le produit est hors tension lorsque la LED est éteinte.
2. Reportez-vous à la section *Pour lancer la fonction SavE à la page 102* pour connaître la fonction du bouton SavE (B).
  3. Consultez *Dépannage à la page 104* si le témoin d'avertissement (C) est allumé ou clignote.

## Pour contrôler le blocage de la gâchette de puissance

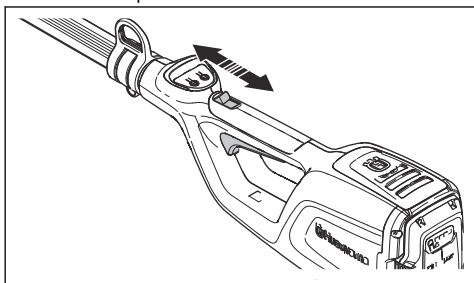
Le blocage de la gâchette de puissance empêche toute activation accidentelle. Lorsque vous relâchez la poignée, la gâchette de puissance et son blocage reviennent en position initiale.



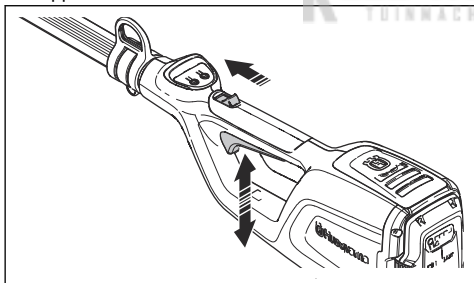
1. Assurez-vous que la gâchette de puissance est verrouillée lorsque le blocage est en position initiale.



2. Tirez et relâchez le blocage et assurez-vous qu'il revient à sa position initiale.



3. Assurez-vous que la gâchette de puissance et le blocage bougent librement et que le ressort de rappel fonctionne correctement.



4. Faites démarrer le produit, reportez-vous à la section *Pour démarrer le produit à la page 101*.
5. Faites-le tourner à plein régime.
6. Relâchez la gâchette de puissance et assurez-vous que l'équipement de coupe s'arrête complètement.

### Consignes de sécurité relatives à l'utilisation de la batterie



**AVERTISSEMENT:** Lisez les instructions qui suivent avant d'utiliser le produit.

- La batterie recommandée est BLi10. Reportez-vous à la section *Caractéristiques techniques à la page 105*. La batterie est codée par logiciel.
- Utilisez la batterie BLi10 rechargeable en tant que source d'alimentation pour les produits Husqvarna uniquement. Afin d'éviter toute blessure, n'utilisez pas la batterie comme source d'alimentation pour d'autres produits.
- Risque de choc électrique. Ne branchez pas les bornes de la batterie à des clés, des pièces de monnaie, des vis ou tout autre élément métallique. Cela peut provoquer un court-circuit de la batterie.
- N'utilisez pas de batteries non rechargeables.
- Ne placez pas d'objets dans les fentes d'aération de la batterie.
- Protégez la batterie des rayons directs du soleil, de la chaleur et des flammes nues. La batterie peut provoquer des brûlures et/ou des brûlures chimiques.
- Protégez la batterie de la pluie et de l'humidité.
- Protégez la batterie des micro-ondes et des hautes pressions.
- N'essayez pas de démonter ou de casser la batterie.
- En cas de fuite de la batterie, ne laissez pas le liquide entrer en contact avec votre peau ou vos yeux. Si vous avez touché le liquide, nettoyez la zone avec beaucoup d'eau claire et du savon, puis contactez un médecin. Si vous recevez du liquide dans les yeux, ne frottez pas mais rincez à l'eau pendant au moins 15 minutes et contactez un médecin.
- Utilisez la batterie à une température comprise entre -10 °C (14 °F) et 40 °C (114 °F).
- Ne nettoyez pas la batterie ou le chargeur de batterie avec de l'eau. Reportez-vous à la section *Pour nettoyer le produit, la batterie et le chargeur de batterie à la page 103*.
- N'utilisez pas de batterie défectueuse ou endommagée.
- Conservez les batteries en stock à distance des objets métalliques, tels que clous, vis ou bijoux.
- Tenez les batteries hors de portée des enfants.

### Consignes de sécurité relatives au chargeur de batterie



**AVERTISSEMENT:** Lisez les instructions qui suivent avant d'utiliser le produit.

- Risque de choc électrique ou de court-circuit si les instructions de sécurité ne sont pas respectées.
- N'utilisez pas d'autres chargeurs de batterie que celui fourni pour votre produit. Le chargeur recommandé est QC80 lorsque vous chargez la batterie BLi10 .
- N'essayez pas de démonter le chargeur de batterie.

- N'utilisez pas de chargeur de batterie défectueux ou endommagé.
- Ne soulevez pas le chargeur de batterie par le cordon d'alimentation. Pour débrancher le chargeur de batterie d'une prise d'alimentation secteur, tirez sur la fiche. Ne tirez pas le cordon d'alimentation.
- Conservez tous les câbles et toutes les rallonges loin de l'eau, de l'huile et des bords tranchants. Veillez à ce que le câble ne soit pas coincé dans des objets tels que des portes, des clôtures ou tout autre équipement similaire.
- N'utilisez pas le chargeur de batterie à proximité de matériaux inflammables ou de matériaux pouvant provoquer la formation de corrosion. Assurez-vous que le chargeur de batterie n'est pas couvert. En cas de dégagement de fumée ou de début d'incendie, débranchez aussitôt la fiche reliée au chargeur de batterie.
- Rechargez la batterie uniquement en intérieur, dans un endroit bien aéré et à l'abri de la lumière. Ne chargez pas la batterie à l'extérieur. Ne rechargez pas la batterie dans des conditions humides.
- Utilisez le chargeur de batterie à une température comprise entre 5 °C (41 °F) et 40 °C (104 °F) uniquement. Utilisez le chargeur dans un environnement bien ventilé, sec et exempt de poussière.
- Ne placez pas d'objets dans les fentes de refroidissement du chargeur de batterie.
- Ne raccordez pas les bornes du chargeur de batterie à des objets métalliques car cela peut court-circuiter le chargeur de batterie.
- Utilisez des prises homologuées et non endommagées. Assurez-vous que le câble du chargeur de batterie est en bon état. Si des câbles de rallonge sont utilisés, assurez-vous que ceux-ci sont en bon état.

## Consignes de sécurité pour l'entretien



**AVERTISSEMENT:** Lisez les instructions qui suivent avant d'effectuer l'entretien du produit.

- Retirez la batterie avant tout entretien, contrôle ou assemblage du produit.
- L'utilisateur ne doit effectuer que les travaux de maintenance et d'entretien décrits dans ce manuel d'utilisation. Adressez-vous à votre revendeur pour toute opération de maintenance et d'entretien de plus grande ampleur.
- Ne nettoyez pas la batterie ou le chargeur de batterie avec de l'eau. L'utilisation de détergents agressifs peut endommager le plastique.
- Un défaut d'entretien réduit le cycle de vie du produit et augmente le risque d'accidents.
- Une formation spéciale est nécessaire pour tous les travaux d'entretien et de réparation, en particulier pour les dispositifs de sécurité sur le produit. Si tous les contrôles spécifiés dans ce manuel d'utilisation ne sont pas validés après l'entretien, consultez votre revendeur. Nous garantissons la disponibilité d'un service de réparation et d'entretien professionnel pour votre produit.
- Maintenez les dents de la lame correctement affûtées. Suivez nos recommandations. Reportez-vous également aux instructions sur l'emballage des lames.
- Utilisez uniquement les pièces de rechange d'origine.
- Portez toujours des gants de protection robustes lorsque vous réparez l'accessoire de coupe. Les lames sont très tranchantes et peuvent aisément causer des blessures.

## Montage

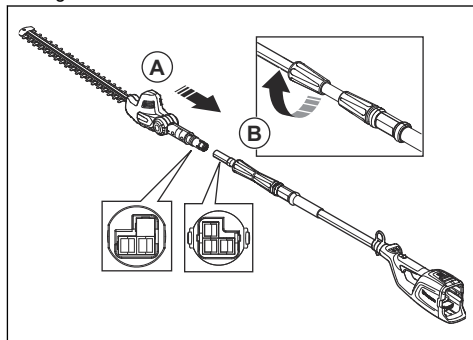
### Introduction



**AVERTISSEMENT:** Assurez-vous de lire et de comprendre le chapitre dédié à la sécurité avant de monter l'appareil.

### Montage de l'arbre

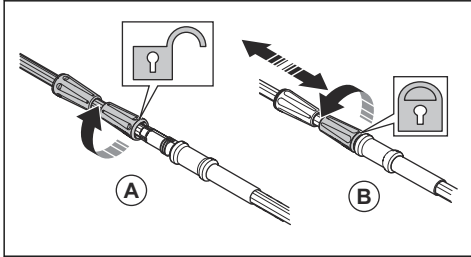
1. Assurez-vous que les fiches électriques sont alignées.



2. Assemblez complètement les extrémités de l'arbre (A).
3. Serrez la poignée à vis sur le côté de la tête du taille-haie de l'arbre (B).

## Réglage de la longueur de l'arbre

1. Desserrez la poignée à vis du côté du carter de batterie de l'arbre (A).



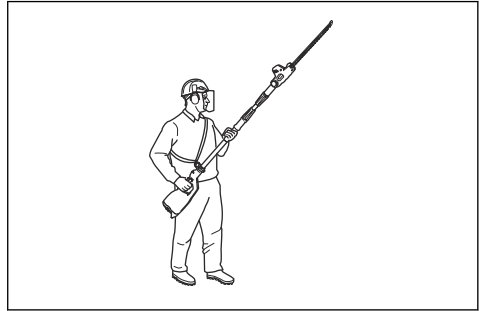
2. Réglez l'arbre à une longueur applicable.
3. Serrez la poignée à vis (B).

## Pour régler le harnais

Utilisez toujours le harnais lorsque vous utilisez la machine. Le harnais assure un contrôle maximal lors de

l'utilisation du produit. Le faisceau réduit le risque de fatigue au niveau des bras et du dos.

1. Enfiler le harnais.
2. Accrochez la machine au crochet de suspension du harnais.
3. Réglez la longueur du harnais de telle sorte que le crochet de suspension soit à peu près à la hauteur de votre hanche droite.



# Utilisation

## Introduction



**AVERTISSEMENT:** Assurez-vous de lire et de comprendre le chapitre dédié à la sécurité avant d'utiliser l'appareil.

## Avant de démarrer le produit

1. Examinez la zone de travail. Retirez tout objet susceptible d'être projeté.
2. Examinez l'accessoire de coupe. Assurez-vous que les lames sont aiguisées et qu'elles ne sont pas fissurées ou endommagées.
3. Contrôlez le bon fonctionnement du produit. Vérifiez que tous les écrous et toutes les vis sont correctement serrés.
4. Assurez-vous que la poignée et les dispositifs de sécurité ne sont pas endommagés et qu'ils sont correctement fixés. N'utilisez pas le produit si certaines pièces sont manquantes ou si ses caractéristiques initiales ont été changées. Utilisez des gants de protection si nécessaire.
5. Assurez-vous que les capots ne sont pas endommagés et qu'ils sont correctement fixés avant d'utiliser le produit.

## Pour brancher le chargeur de batterie

1. Branchez le chargeur de batterie sur une prise électrique dont les caractéristiques de tension et de fréquence correspondent aux spécifications mentionnées sur la plaque signalétique.
2. Branchez le cordon dans une prise électrique mise à la terre. La DEL sur le chargeur de batterie clignote une fois en vert.

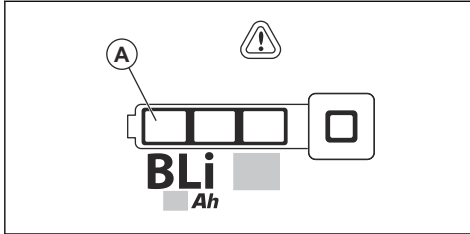
**Remarque:** La batterie ne charge pas si la température de la batterie est supérieure à 50 °C/ 122 °F. Si la température est supérieure à 50 °C/122 °F, le chargeur de batterie refroidit la batterie avant que la batterie ne charge.

## Connexion de la batterie au chargeur de batterie

**Remarque:** Chargez la batterie si vous l'utilisez pour la première fois. Une batterie neuve n'est chargée qu'à 30 %.

1. Assurez-vous que la batterie est sèche.
2. Insérez la batterie dans le chargeur de batterie.

- Assurez-vous que le témoin de charge vert du chargeur de batterie s'allume. La présence de ce témoin signifie que la batterie est correctement connectée au chargeur de batterie.
- La batterie est totalement rechargée lorsque toutes les LED (A) sur la batterie sont allumées.



- Pour débrancher le chargeur de batterie de la prise d'alimentation secteur, tirez sur la fiche. Ne tirez pas sur le cordon.
- Dégagez la batterie du chargeur de batterie.

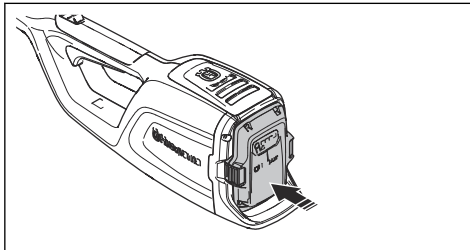
**Remarque:** Reportez-vous aux manuels de la batterie et du chargeur de batterie pour plus d'informations.

### Pour fixer la batterie au produit



**AVERTISSEMENT:** Utilisez uniquement des batteries d'origine Husqvarna dans le produit.

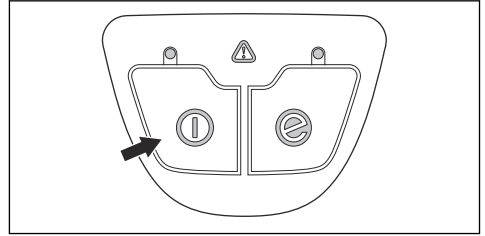
- Assurez-vous que la batterie est complètement chargée.
- Insérez la batterie dans le support de batterie du produit. La batterie doit pouvoir s'insérer facilement dans le support ; si ce n'est pas le cas, elle n'est pas installée correctement.



- Appuyez sur la partie inférieure de la batterie et poussez-la complètement dans le support de batterie. La batterie est verrouillée en position lorsqu'un « clic » est émis.
- Assurez-vous que les loquets se verrouillent correctement en position.

### Pour démarrer le produit

- Appuyez sur le bouton marche/arrêt et maintenez-le enfoncé jusqu'à ce que la LED verte s'allume.



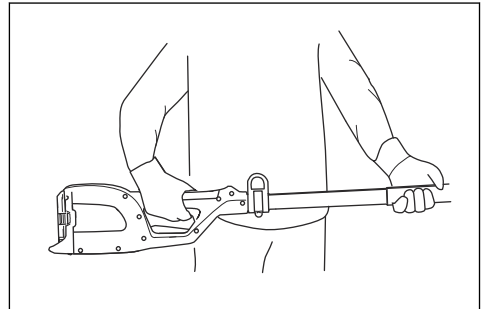
- Tirez le blocage de la gâchette de puissance vers l'arrière et maintenez la gâchette de puissance dans cette position.

### Pour utiliser le produit

- Démarez à proximité du sol et déplacez le produit le long de la haie lorsque vous taillez.



- Tenez le produit près de votre corps pour une position de travail stable.

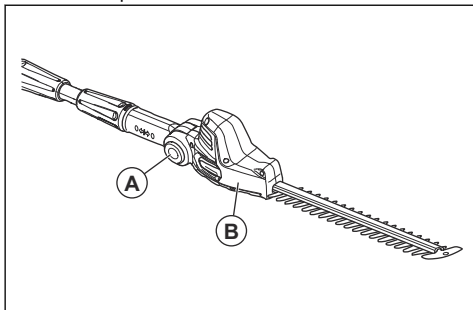


- Assurez-vous que l'extrémité de l'équipement de coupe ne touche pas le sol.
- Soyez prudent et travaillez lentement jusqu'à ce que toutes les branches soient correctement coupées.

### Pour régler l'angle de l'équipement de coupe

L'équipement de coupe peut être réglé sur 7 positions différentes.

1. Arrêtez le produit et retirez la batterie.

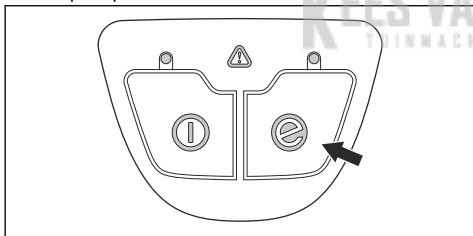


2. Maintenez fermement le carter (B).
3. Appuyez sur les boutons de blocage (A) situés sur les 2 côtés du carter (B) et maintenez-les enfoncés.
4. Placez l'équipement de coupe dans l'angle correct.
5. Relâchez les boutons de blocage (A) des 2 côtés.
6. Déplacez le carter (B) de haut en bas jusqu'à ce que l'équipement de coupe se verrouille en position.

### Pour lancer la fonction SavE

Ce produit est équipé d'une fonction SavE. La fonction SavE optimise la durée de fonctionnement de la batterie.

1. Appuyez sur le bouton SavE. La LED s'allume pour indiquer que la fonction est activée.



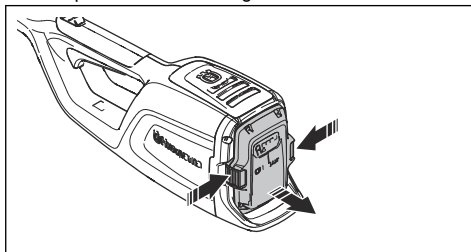
2. Appuyez à nouveau sur le bouton SavE pour arrêter cette fonction.

### Fonction d'arrêt automatique

Le produit est équipé d'une fonction d'arrêt qui arrête le produit s'il n'est pas utilisé. La LED verte d'indication de démarrage/d'arrêt s'éteint et le produit s'arrête au bout de 60 secondes.

### Pour arrêter le produit

1. Relâchez la gâchette de puissance.
2. Appuyez sur le bouton marche/arrêt et maintenez-le enfoncé jusqu'à ce que la LED verte s'éteigne.
3. Retirez la batterie du produit. Appuyez sur les 2 cliquets de déverrouillage et sortez la batterie.



## Entretien

### Introduction



**AVERTISSEMENT:** assurez-vous de lire et de comprendre le chapitre sur la sécurité avant de procéder à l'entretien du produit.



**AVERTISSEMENT:** retirez la batterie avant de procéder à l'entretien du produit.

### Calendrier d'entretien

La liste ci-dessous indique les étapes d'entretien à effectuer sur le produit.

Entretien	Avant chaque utilisation	Toutes les semaines	Mensuel
Nettoyez les pièces externes du produit.	X		
Vérifiez que l'interrupteur marche/arrêt fonctionne correctement et n'est pas endommagé.	X		
Vérifiez que la gâchette de puissance et son blocage fonctionnent en toute sécurité.	X		
Assurez-vous que toutes les commandes fonctionnent et ne sont pas endommagées.	X		
Assurez-vous que la lame de coupe et sa protection ne sont pas fissurées ni endommagées. Remplacez la lame de coupe ou sa protection si elles sont fissurées ou ont subi un choc.	X		
Remplacez la lame de coupe si elle est pliée ou endommagée.	X		
Assurez-vous que les vis et les écrous sont serrés.	X		
Assurez-vous que la batterie n'est pas endommagée.	X		
Assurez-vous que la batterie est chargée.	X		
Assurez-vous que le chargeur de batterie n'est pas endommagé.	X		
Vérifiez que les vis qui maintiennent les lames de coupe ensemble sont correctement serrées.		X	
Contrôlez les connexions entre la batterie et le produit. Contrôlez la connexion entre la batterie et le chargeur de batterie.			X

## Pour examiner la batterie et le chargeur de batterie

1. Examinez la batterie pour détecter tout dommage, par exemple des fissures.
2. Examinez le chargeur de batterie pour détecter tout dommage, par exemple des fissures.
3. Assurez-vous que le cordon de raccordement du chargeur de batterie n'est pas endommagé et qu'il n'est pas fissuré.

## Pour nettoyer le produit, la batterie et le chargeur de batterie

1. Nettoyez le produit avec un chiffon sec après utilisation.
2. Nettoyez la batterie et le chargeur de batterie avec un chiffon sec. Veillez à maintenir les rails guides de la batterie en parfait état de propreté.
3. Assurez-vous que les bornes de la batterie et du chargeur de batterie sont propres avant d'insérer la batterie dans le chargeur ou le produit.

## Pour examiner la lame de coupe

1. Nettoyez les lames de coupe afin d'enlever les matériaux indésirables à l'aide d'un agent nettoyant anticorrosion avant et après l'utilisation du produit.
2. Examinez les bords de la lame de coupe pour vérifier si des dommages et des déformations sont présents.
3. Limez les bavures éventuelles sur la lame de coupe.
4. Assurez-vous que la lame de coupe se déplace librement.

## Pour nettoyer et lubrifier les lames

1. Nettoyez les lames afin d'enlever les matériaux indésirables avant et après l'utilisation du produit.
2. Lubrifiez les lames avant les périodes de remisage prolongées.

**Remarque:** Pour davantage d'informations sur les nettoyants et lubrifiants recommandés, contactez votre atelier d'entretien.

## Pour lubrifier l'engrenage

Appliquez de la graisse sur le carter si l'engrenage a été démonté par un atelier d'entretien agréé.

- Utilisez de la graisse spéciale Husqvarna. Pour obtenir davantage d'informations sur la graisse recommandée, contactez votre atelier d'entretien.
- Utilisez uniquement une petite quantité de graisse spéciale de haute qualité.



**REMARQUE:** Ne remplissez pas entièrement le carter d'engrenage.

## Dépannage

### Clavier

Écran à LED	Défaillances possibles	Solutions possibles
La LED d'erreur clignote.	Surcharge	Les cliquets du démarreur ne peuvent pas se déplacer librement. Relâchez l'équipement de coupe.
Le produit ne démarre pas.	Les connecteurs de batterie sont encrassés.	Nettoyez les connecteurs de batterie avec de l'air comprimé ou une brosse douce.
La LED d'erreur s'allume en rouge.	Il est nécessaire de procéder à l'entretien du produit.	Contactez votre agent d'entretien.

### Batterie

Affichage à LED	Défaillances possibles	Action possible
La DEL d'erreur clignote	Tension de batterie faible.	Rechargez la batterie.
La DEL d'erreur clignote	Écart de température.	Utilisez la batterie à une température comprise entre -10°C (14°F) et 40°C (104°F).
	Ralenti trop important.	Veillez à ce que la tension secteur soit conforme aux valeurs sur la plaque signalétique du produit. Dégagez la batterie du chargeur de batterie.
La DEL d'erreur est allumée	L'écart de tension entre les cellules est trop important (1 V).	Contactez votre atelier d'entretien.

### Chargeur de batterie

Problème	Défaillances possibles	Solution possible
La LED d'erreur rouge clignote.	Écart de température.	Utilisez le chargeur de batterie à une température comprise entre 5 °C (41 °F) et 40 °C (104 °F).
La LED d'erreur rouge s'allume.	Too much cell difference (1V).	Contactez votre atelier d'entretien.



---

# Transport, entreposage et mise au rebut

---

## Transport et stockage

- Les batteries Li-ion fournies respectent les exigences de la législation sur les marchandises dangereuses.
- Vous devez respecter l'exigence spécifique relative à l'emballage et aux étiquettes pour les transports commerciaux, y compris par des tiers et des transitaires.
- Consultez un expert en matières dangereuses avant d'expédier le produit. Respectez les lois nationales en vigueur.
- Mettez du ruban adhésif sur les contacts lorsque vous placez la batterie dans un emballage. Placez la batterie dans l'emballage de façon hermétique pour empêcher tout mouvement.
- Retirez la batterie lors du stockage ou du transport.
- Placez la batterie et le chargeur de batterie dans un endroit sec, exempt d'humidité et de gel.
- Ne conservez pas la batterie dans un endroit présentant un risque d'électricité statique. Ne conservez pas la batterie dans une boîte métallique.
- Conservez la batterie dans un endroit où la température est comprise entre 5 °C (41 °F) et 25 °C (77 °F) et à l'écart de la lumière du soleil.
- Conservez le chargeur de batterie dans un endroit où la température est comprise entre 5 °C (41 °F) et 45 °C (113 °F) et à l'écart de la lumière du soleil.
- N'utilisez le chargeur de batterie que si la température ambiante est comprise entre 5 °C (41 °F) et 40 °C (104 °F).

- Chargez la batterie entre 30 % et 50 % avant de la remiser pendant de longues périodes.
- Conservez le chargeur de batterie dans un local fermé et sec.
- Conservez la batterie à l'écart du chargeur lors du rangement. Ne laissez pas des enfants ou d'autres personnes non homologuées toucher l'équipement. Conservez l'équipement dans un local verrouillable.
- Nettoyez le produit et effectuez un entretien complet avant de remiser le produit pendant de longues périodes.
- Utilisez la protection de transport du produit pour éviter les blessures et les dégâts causés au produit lors du transport et du remisage.
- Fixez le produit pour le transporter.

## Mise au rebut de la batterie, du chargeur de batterie et du produit

Les symboles figurant sur le produit ou son emballage indiquent que ce produit ne fait pas partie des ordures ménagères. Déposez-le dans une station de recyclage pour équipements électriques et électroniques. Ceci permet d'éviter les dangers pour l'environnement et les personnes.

Contactez les autorités locales, le service des ordures ménagères ou votre revendeur pour plus d'informations sur le recyclage de votre produit.

---

## Caractéristiques techniques

---

### Caractéristiques techniques

	<b>120ITK4-H</b>
<b>Moteur</b>	
Type de moteur	PMDC 36V
<b>Poids</b>	
Poids sans batterie, kg	4,6
Poids avec batterie (batterie par défaut BLi10), en kg	5,3
<b>Émissions sonores<sup>16</sup></b>	

<sup>16</sup> Émissions sonores dans l'environnement mesurées comme puissance sonore ( $L_{WA}$ ) selon la directive européenne CE 2000/14/CE. Le niveau de puissance sonore garanti diffère du niveau mesuré en cela qu'il prend également en compte la dispersion et les variations d'un produit à l'autre du même modèle lors de la mesure, conformément à la directive 2000/14/CE.

	<b>120ITK4-H</b>
Niveau de puissance sonore mesuré dB (A)	91,32
Niveau de puissance sonore, garanti L <sub>WA</sub> dB(A)	94
<b>Niveaux sonores<sup>17</sup></b>	
Niveau de pression sonore à l'oreille de l'utilisateur, mesuré selon EN 62841-1 et EN 62841-4-2, dB (A)	81,3
<b>Niveaux de vibrations<sup>18</sup></b>	
Niveaux de vibrations, (a <sub>h</sub> ) poignées avant/arrière, en m/s <sup>2</sup> . Conformément aux normes EN 62841-1 et EN 62841-4-2.	1,223/0,816
<b>Équipement de coupe</b>	
Type	Double tranchant
Longueur de lame, mm	500
Vitesse des lames (coupes/min) en mode SavE	2 250
Vitesse des lames (coupes/min) hors mode SavE	2 800

## Chargeurs de batterie homologués

<b>Chargeur de batterie</b>	<b>QC80</b>
Tension d'entrée, V	100-240
Fréquence, Hz	50-60
Puissance, W	100
Tension de sortie, V CC/A	36/2

## Batteries homologuées pour le produit

<b>Batterie</b>	<b>BL10</b>
Type	Lithium-ion
Capacité de la batterie, Ah	Reportez-vous à l'autocollant de capacité de la batterie
Tension nominale, V	36

<sup>17</sup> La dispersion statistique typique pour le niveau de pression sonore équivalent se traduit par une déviation standard de 3 dB (A).

<sup>18</sup> Les données reportées pour le niveau de vibrations montrent une dispersion statistique type (déviat ion standard) de 1,5 m/s<sup>2</sup>.

La valeur totale déclarée des vibrations résulte d'une mesure conforme à une méthode d'essai standard et peut être utilisée pour comparer un outil à un autre.

La valeur totale déclarée des vibrations peut également être utilisée dans le cadre d'une évaluation préliminaire d'exposition.

<b>Batterie</b>	<b>BLi10</b>
Poids, kg	0,7

**KEES VAN DER SPEK**  
TUINMACHINES ★ STOLWIJK

---

## Déclaration de conformité CE

---

### Déclaration de conformité CE

Nous, **Husqvarna AB**, SE-561 82 Huskvarna, Suède, tél. : +46-36-146500, déclarons que le taille-haie sur perche **Husqvarna 120ITK4-H** à partir des numéros de série de l'année de fabrication 2021 et ultérieure (l'année est clairement indiquée sur la plaque signalétique et suivie d'un numéro de série) est conforme aux dispositions de la DIRECTIVE DU CONSEIL :

- du 17 mai 2006 « relative aux machines » **2006/42/CE**.
- du 26 février 2014 « relative à la compatibilité électromagnétique » **2014/30/UE**.
- du 8 juin 2011 « relative à la limitation de l'utilisation de certaines substances dangereuses » **2011/65/UE**.

Les normes harmonisées suivantes ont été appliquées :

**EN 62841-1:2015, EN 62841-4-2:2019, EN 55014-1:2017+A11, EN 55014-2:2015, CISPR12:2007+A1 2009, EN IEC 63000:2018.**

TÜV Rheinland LGA Products GmbH, Tillystrasse 2, D-90431 Nuernberg, Germany a procédé à des examens de type volontaire au nom de Husqvarna AB. Le certificat porte le numéro : **AM 50491653 0001**.

Huskvarna 2020-12-30

**KEES VAN DER SPEK**  
TUINMACHINES \* STOLWIJK



Pär Martinsson, directeur du développement  
(représentant autorisé d'Husqvarna AB et responsable de la documentation technique).

## Sommario

Introduzione.....	109	Ricerca guasti.....	122
Sicurezza.....	111	Trasporto, stoccaggio e smaltimento.....	123
Montaggio.....	118	Dati tecnici.....	124
Utilizzo.....	119	Dichiarazione di conformità CE.....	126
Manutenzione.....	121		

## Introduzione

### Descrizione del prodotto

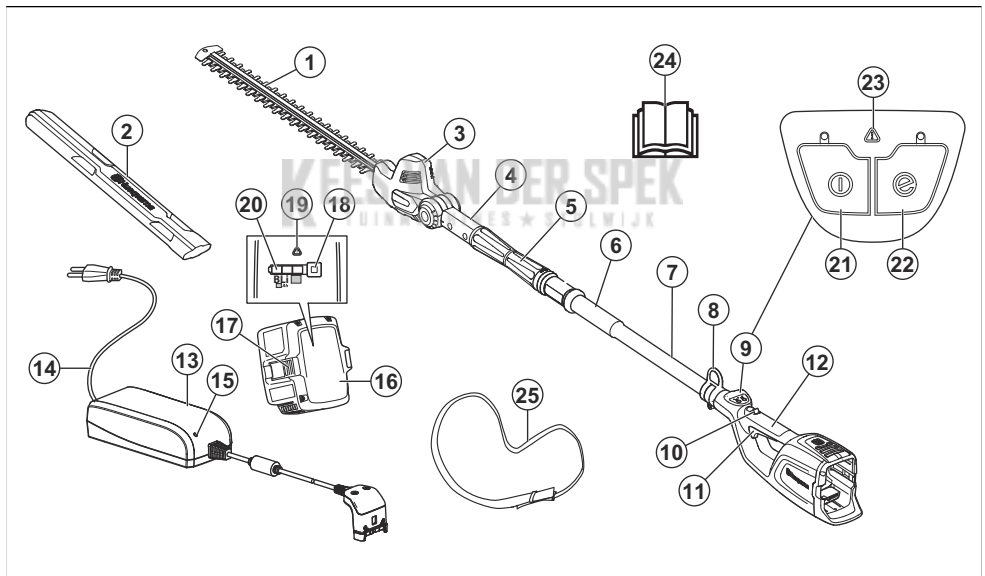
Il modello Husqvarna 120iTK4-H è un tagliasiepi telescopico a batteria.

Il lavoro è in costante evoluzione per aumentare sicurezza ed efficienza durante le attività. Rivolgersi al centro di assistenza per maggiori informazioni.

### Uso previsto

Utilizzare il prodotto per tagliare rami e ramoscelli. Non utilizzare il prodotto per altre attività.

### Panoramica del prodotto



1. Lama
2. Protezione di trasporto
3. Alloggiamento
4. Impugnatura divisa
5. Funzione telescopica
6. Impugnatura anteriore
7. Albero
8. Gancio di sospensione imbracatura
9. Tastiera
10. Fermo della leva di comando
11. Leva comando
12. Impugnatura posteriore
13. Caricabatteria
14. Filo
15. LED di accensione/avvertimento
16. Batteria
17. Pulsanti per il rilascio della batteria
18. Pulsante indicatore dello stato della batteria
19. LED di avvertimento
20. LED indicatore di batteria

- 21. Pulsante di avvio/arresto
- 22. Pulsante SavE
- 23. LED di avvertimento
- 24. Manuale operatore
- 25. Cinghiaggio

## Simboli riportati sul prodotto



**AVVERTENZA!** Questo prodotto è pericoloso. Possono verificarsi lesioni anche mortali all'operatore o ai passanti se il prodotto non viene usato con cautela e in modo corretto. Al fine di evitare lesioni all'operatore o ai passanti, leggere e seguire attentamente le istruzioni di sicurezza nel manuale operatore. Prima dell'uso, leggere per intero il manuale dell'operatore e accertarsi di aver compreso le istruzioni.



Utilizzare un elmetto protettivo in luoghi in cui gli oggetti potrebbero cadere. Usare cuffie protettive omologate. Utilizzare protezioni per gli occhi omologate.



Utilizzare guanti protettivi omologati.



Il prodotto è conforme alle direttive CE vigenti.



Tensione nominale, V



Corrente diretta.



Non esporre alla pioggia.



Tenere le mani lontane dalla lama.



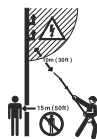
Funzione telescopica.



Funzione di divisione.



Ruotare a sinistra per allentare la manopola, ruotare a destra per serrarla.



Questo prodotto non dispone di isolamento. Se il prodotto viene a trovarsi a contatto o nelle vicinanze di linee elettriche ad alta tensione si può incorrere in lesioni gravi o mortali. La corrente può essere condotta da un punto all'altro tramite un cosiddetto arco di tensione. Maggiore è la tensione, maggiore la distanza percorribile dalla corrente. La corrente può anche essere condotta attraverso rami o altri oggetti, particolarmente se bagnati. Mantenere sempre una distanza di almeno 10 m fra il prodotto e le linee elettriche ad alta tensione e/o tutti gli oggetti che si trovano a contatto con essi. Se è necessario lavorare con una distanza di sicurezza inferiore, contattare sempre l'azienda distributrice dell'energia per assicurarsi che la tensione sia staccata nel momento in cui si inizia il lavoro. Durante il funzionamento, mantenere una distanza minima di 15 m da altre persone o animali.

aaaassxxxx

La targhetta dati di funzionamento mostra il numero di serie. **yyyy** è l'anno di produzione, **ww** è la settimana di produzione.

**Nota:** Gli altri simboli e decalcomanie sul prodotto riguardano i requisiti di certificazione necessari per alcuni mercati.

## Simboli sulla batteria e/o sul caricabatterie



Riciclare questo prodotto in una stazione di riciclaggio per apparecchiature elettriche ed elettroniche. (Solo per l'Europa)



Trasformatore a prova di guasto.



Utilizzare e conservare il caricabatteria solo in ambienti interni.



Doppio isolamento.

## Responsabilità del prodotto

Come indicato nelle leggi vigenti in materia di responsabilità obbligatoria sul prodotto, non siamo responsabili per eventuali danni causati dal nostro prodotto se:

- Il prodotto viene riparato in modo errato.

- Il prodotto viene riparato con parti che non provengono o non sono omologate dal produttore.
- Il prodotto contiene un accessorio che non proviene o non è omologato dal produttore.
- Il prodotto non viene riparato presso un centro di assistenza autorizzato o presso un'autorità competente.

---

## Sicurezza

---

### Definizioni di sicurezza

Le avvertenze, le precauzioni e le note sono utilizzate per evidenziare le parti importanti del manuale.



**AVVERTENZA:** Utilizzato se è presente un rischio di lesioni o morte dell'operatore o di passanti nel caso in cui le istruzioni del manuale non vengano rispettate.



**ATTENZIONE:** Utilizzato se è presente un rischio di danni al prodotto, ad altri materiali oppure alla zona adiacente nel caso in cui le istruzioni del manuale non vengano rispettate.

**Nota:** Utilizzato per fornire ulteriori informazioni necessarie in una determinata situazione.

### Avvertenze generali di sicurezza dell'attrezzo elettrico



**AVVERTENZA:** Leggere attentamente tutte le avvertenze di sicurezza e tutte le istruzioni. La mancata osservanza delle avvertenze e delle istruzioni può dare luogo a scosse elettriche, incendi e/o gravi lesioni.

**Nota:** Conservare tutte le avvertenze e le istruzioni per la futura consultazione. Nelle avvertenze, il termine "attrezzo elettrico" si riferisce al vostro attrezzo elettrico alimentato tramite rete elettrica (con cavo) o a batteria (senza fili).

### Sicurezza dell'area di lavoro

- **Tenere l'area di lavoro pulita e ben illuminata.** Le zone in disordine o male illuminate possono provocare incidenti.
- **Non mettere in funzione attrezzi elettrici in ambienti esplosivi, quali quelli che comportano la presenza di liquidi infiammabili, gas o polvere.** Gli attrezzi elettrici generano scintille che possono incendiare polveri o fumi.

- **Tenere lontani bambini e spettatori mentre si fa funzionare un attrezzo elettrico.** Le distrazioni possono causare la perdita del controllo.

### Sicurezza elettrica

- **Le spine degli elettroutensili devono essere adatte alla presa. Evitare assolutamente di apportare modifiche alla spina. Non impiegare spine adattatrici assieme a elettroutensili con collegamento a terra.** Le spine non modificate e le prese adatte allo scopo riducono il rischio di scosse elettriche.
- **Evitare il contatto con superfici messe a massa o collegate a terra, come condutture, radiatori, stufe e frigoriferi.** Sussiste un maggior rischio di scosse elettriche nel momento in cui il corpo è messo a massa.
- **Non esporre gli elettroutensili a pioggia o umidità.** L'ingresso di acqua in un elettroutensile fa aumentare il rischio di scosse elettriche.
- **Non rovinare il cavo elettrico. Non usare mai il filo per trasportare, tirare o staccare dalla presa l'elettroutensile. Non avvicinare il cavo a fonti di calore, olio, spigoli taglienti e neppure a parti della macchina che siano in movimento.** I cavi danneggiati o attorcigliati fanno aumentare il rischio di scosse elettriche.
- **Per il funzionamento di un elettroutensile all'aperto, usare una prolunga adatta.** L'uso di un cavo di prolunga omologato per l'impiego all'aperto riduce il rischio di scosse elettriche.
- **Se l'impiego dell'elettroutensile in ambienti umidi è inevitabile, utilizzare un interruttore differenziale (salvavita) per proteggere il circuito di alimentazione.** L'utilizzo di un salvavita riduce il rischio di scosse elettriche.

### Sicurezza personale

- **Nell'uso di un attrezzo elettrico, restare alerta, fare attenzione a ciò che si sta facendo e usare il buon senso. Non usare un attrezzo elettrico quando si è stanchi o sotto l'effetto di droga, alcol o farmaci.** Un attimo di disattenzione può causare lesioni personali gravi.
- **Usare sempre abbigliamento protettivo personale. Indossare sempre una protezione per gli occhi.** L'uso in condizioni adeguate dell'abbigliamento protettivo (come mascherina protettiva, calzature di sicurezza antiscivolo, elmetto o cuffie protettive) riduce le lesioni personali.

- **Prevenire la messa in funzione accidentale.** Accertarsi che l'interruttore sia in posizione OFF prima di effettuare il collegamento alla presa dell'alimentazione e/o alla batteria, di sollevare o trasportare l'attrezzo. Il trasporto di attrezzi elettrici tenendo le dita sull'interruttore o su attrezzi che producono corrente e il cui interruttore è acceso, può provocare incidenti.
- **Rimuovere qualunque chiave o strumento di regolazione prima di accendere l'attrezzo elettrico.** Qualunque chiave o attrezzo lasciato attaccato a parti rotanti può causare danni alla persona.
- **Operare in sicurezza. Operare sempre facendo attenzione a posizionare bene i piedi e a mantenere l'equilibrio.** Ciò permette un migliore controllo dell'attrezzo elettrico in situazioni inattese.
- **Vestirsi in maniera adeguata. Non indossare abiti troppo ampi o gioielli. Tenere capelli e indumenti lontani dalle parti in movimento.** Lasciati liberi, indumenti, gioielli o capelli lunghi possono restare impigliati nelle parti in movimento.
- **Qualora vengano forniti strumenti per il collegamento a strutture di estrazione e raccolta della polvere, accertarsi che queste siano collegate e usate in modo adeguato.** La raccolta della polvere può ridurre i rischi legati alla presenza di questo agente.
- **La familiarità e l'esperienza acquisite con il prodotto non devono far sottovalutare i rischi insiti nell'utilizzo dello stesso. Non ignorare le norme basilari di sicurezza dell'attrezzatura.** Un'azione incauta può provocare gravi danni in una frazione di secondo.
- La produzione di vibrazioni durante l'utilizzo del dispositivo elettrico può essere differente dal valore totale dichiarato, a seconda delle modalità di impiego del dispositivo. Gli operatori devono identificare le misure di sicurezza necessarie per la protezione in base a una stima dell'esposizione in condizioni pratiche di utilizzo (tenendo in considerazione le diverse fasi di funzionamento, vale a dire i momenti in cui il dispositivo è spento, quando è in regime di minimo nonché quando è innestato il comando).
- **Riporre gli elettrodomestici fuori dalla portata dei bambini e non permettere l'uso dei suddetti a persone che non hanno familiarità con tali utensili e con queste istruzioni.** Nelle mani di persone inesperte, gli elettrodomestici sono pericolosi.
- **Manutenzione degli attrezzi elettrici. Controllare che non si verifichi un errato allineamento o collegamento delle parti in movimento, la rottura di pezzi e qualsivoglia altra condizione che possa influire sul funzionamento dell'elettrodomestico. Qualora danneggiato, riparare l'elettrodomestico prima dell'uso.** Molti incidenti sono causati da elettrodomestici con una manutenzione inadeguata.
- **Mantenere affilati e puliti gli strumenti da taglio.** Con una manutenzione adeguata, gli strumenti da taglio con bordi affilati risultano più facili da controllare e meno pericolosi.
- **Usare l'elettrodomestico, gli accessori, le punte ecc. come indicato dalle presenti istruzioni, tenendo conto delle condizioni di lavoro e della prestazione da effettuare.** L'impiego di elettrodomestici per usi diversi da quelli previsti può dar luogo a situazioni di pericolo.
- **Mantenere le impugnature e le superfici di presa asciutte, pulite e prive di olio e grasso.** Le impugnature e le superfici di presa scivolose non consentono una manipolazione e un controllo sicuri dell'utensile in situazioni impreviste.

## Utilizzo e manutenzione della batteria

- **Ricaricare l'attrezzo esclusivamente utilizzando il caricabatterie specificato dal produttore.** L'utilizzo di un caricabatterie indicato per un altro tipo di batteria potrebbe provocare rischio di incendio.
- **Utilizzare i dispositivi esclusivamente con le batterie specificate.** L'utilizzo di altri pacchi batteria potrebbe provocare lesioni e incendi.
- **Se la batteria non viene utilizzata, tenerla lontana da altri oggetti metallici, come graffette, monete, chiavi, chiodi, viti o altri piccoli oggetti metallici che potrebbero consentire il collegamento tra i terminali.** Provocare il cortocircuito dei terminali della batteria potrebbe causare ustioni o provocare un incendio.
- **In condizioni non ottimali, la batteria potrebbe perdere liquido; evitare il contatto. Qualora il contatto avvenisse, sciacquare la parte con acqua. Se il liquido entra negli occhi, chiamare immediatamente un medico.** Il liquido fuoriuscito dalla batteria potrebbe causare irritazioni o ustioni.
- **Non usare batterie o utensili danneggiati o modificati.** Batterie danneggiate o modificate possono manifestare un comportamento imprevedibile, con rischio di incendi, esplosioni e lesioni.
- **Non esporre batterie o utensili al fuoco o a temperature elevate.** L'esposizione al fuoco o una temperatura superiore a 130 °C (265°F) può provocare esplosioni.
- **Seguire tutte le istruzioni per il caricamento della batteria e non caricare la batteria o l'utensile al di**

## Uso e cura dell'elettrodomestico

- **Non forzare l'elettrodomestico. Usare l'elettrodomestico adatto all'applicazione.** L'elettrodomestico giusto farà il lavoro meglio e in modo più sicuro se usato alla velocità per la quale è stato progettato.
- **Non usare l'elettrodomestico se non è possibile accenderlo o spegnerlo tramite interruttore.** Qualunque elettrodomestico che non possa essere controllato tramite interruttore è pericoloso e deve essere riparato.
- **Staccare la spina dalla presa dell'alimentazione e/o la batteria prima di procedere a qualunque regolazione, cambio di accessori o alla conservazione degli attrezzi.** Tali misure di sicurezza preventive riducono il rischio di avvio accidentale dell'elettrodomestico.



fuori dell'intervallo di temperatura indicato nelle istruzioni. Ricaricare in modo inappropriato o a temperature che non rientrano nell'intervallo specificato può danneggiare la batteria e aumentare il rischio di incendio.

## Assistenza

- **Far riparare l'elettrotensile solo ed esclusivamente da personale specializzato utilizzando solo pezzi di ricambio originali.** Questo garantirà che sia salvaguardata la sicurezza dell'elettrotensile.
- **Non riparare mai le batterie danneggiate.** Gli interventi sulle batterie dovrebbe essere eseguito solo dal produttore o da centri assistenza autorizzati.

## Istruzioni di sicurezza per tagliasiepi

- **Tenere il corpo lontano dalla lama. Non rimuovere il materiale tagliato né afferrare il materiale da tagliare quando le lame sono in funzione.** Le lame continuano a muoversi dopo lo spegnimento dell'interruttore. Un attimo di disattenzione durante l'utilizzo del tagliasiepi può comportare gravi lesioni personali.
- **Trasportare il tagliasiepi per l'impugnatura con la lama ferma e facendo attenzione a non azionare alcun interruttore di corrente.** Un corretto trasporto del tagliasiepi riduce il rischio di un avviamento involontario e di conseguenti lesioni causate dalle lame.
- **Durante il trasporto o la conservazione del tagliasiepi, montare sempre il coprilama.** Un adeguato utilizzo del tagliasiepi riduce il rischio di lesioni personali dovute alle lame.
- **Durante la rimozione del materiale inceppato o la manutenzione dell'unità, assicurarsi che tutti gli interruttori di corrente siano spenti e che il cavo di alimentazione sia scollegato.** L'azionamento imprevisto del tagliasiepi durante la rimozione di eventuali residui o la manutenzione può causare gravi lesioni personali.
- **Tenere il tagliasiepi esclusivamente dalle apposite impugnature isolate poiché la lama potrebbe entrare in contatto con cavi nascosti o con il filo dell'attrezzo stesso.** Se le lame vengono a contatto con un filo scoperto sotto tensione, le parti in metallo esposte del tagliasiepi possono risultarne caricate e trasmettere una scossa elettrica all'operatore.
- **Tenere tutti i cavi di alimentazione lontano dall'area di taglio.** I cavi di alimentazione potrebbero essere nascosti nelle siepi e nei cespugli ed essere tagliati accidentalmente dalla lama.
- **Non utilizzare il tagliasiepi in condizioni climatiche sfavorevoli, soprattutto quando vi è il rischio di fulmini.** Ciò riduce il rischio di essere colpiti da un fulmine.
- **Per ridurre il rischio di infortunio elettrico, non utilizzare mai il tagliasiepi telescopico vicino a linee di alimentazione elettriche.** Il contatto con le linee elettriche o l'utilizzo nelle loro vicinanze può causare gravi lesioni o scosse elettriche, anche letali.

- **Utilizzare sempre due mani durante l'utilizzo del tagliasiepi telescopico.** Tenere il tagliasiepi telescopico con entrambe le mani per evitare di perderne il controllo.
- **Utilizzare sempre una protezione per la testa durante l'utilizzo del tagliasiepi telescopico.** La caduta di detriti può provocare gravi lesioni personali.

## Istruzioni di sicurezza generali



**AVVERTENZA:** Leggere le seguenti avvertenze prima di utilizzare il prodotto.

- Rimuovere la batteria per evitare che il prodotto venga azionato per errore.
- Questo prodotto è uno strumento pericoloso se non si presta attenzione o se si utilizza il prodotto in modo errato. Il prodotto può causare gravi lesioni o morte dell'operatore o altre persone.
- Non utilizzare il prodotto se è stato modificato in qualche modo rispetto alle caratteristiche iniziali. Non sostituire una parte del prodotto senza previa approvazione del produttore. Utilizzare solo parti approvate dal produttore. Una manutenzione impropria può causare lesioni o la morte.
- Eseguire il controllo del prodotto prima dell'utilizzo. Vedere *Dispositivi di sicurezza sul prodotto alla pagina 116 e Manutenzione alla pagina 121*. Non utilizzare un prodotto difettoso. Eseguire i controlli di sicurezza e attenersi alle istruzioni di manutenzione e riparazione riportate nel presente manuale.
- I bambini devono essere sorvegliati per evitare che giochino con il prodotto. Non consentire mai l'uso e la manutenzione del prodotto a bambini o a persone non qualificate e non lasciare la batteria collegata. Possono esistere leggi locali che stabiliscono l'età minima dell'operatore.
- Conservare il prodotto in un'area chiusa a chiave per impedire l'accesso a bambini o persone non autorizzate.
- Conservare il prodotto fuori dalla portata dei bambini.
- Evitare assolutamente di modificare la versione originale del prodotto senza l'autorizzazione del fabbricante. Utilizzare sempre accessori originali. Modificare e/o accessori non autorizzati possono causare gravi lesioni personali o mortali all'operatore e a terzi.

**Nota:** La normativa nazionale o locale può regolarnel' utilizzo. Assicurare la conformità alla normativa in vigore.

## Istruzioni di sicurezza per l'utilizzo



**AVVERTENZA:** leggere le seguenti avvertenze prima di utilizzare il prodotto.

- Se si è incerti riguardo a come procedere, rivolgersi a un esperto. Contattare il proprio rivenditore o l'officina di assistenza. Evitare qualsiasi lavoro per il quale non ci si sente sufficientemente qualificati.
- Non utilizzare mai il prodotto in condizioni di stanchezza oppure sotto l'effetto di alcolici, stupefacenti o farmaci in grado di alterare la vista, l'attenzione, la capacità di valutazione o la coordinazione.
- Lavorare in condizioni meteorologiche avverse è spesso stancante e comporta un ulteriore rischio. A causa di questo ulteriore rischio, si consiglia di non utilizzare il prodotto in condizioni meteorologiche sfavorevoli, per esempio, in presenza di nebbia fitta, pioggia battente, vento forte, freddo intenso, rischio di fulmini, ecc.
- Un gruppo di taglio difettoso può aumentare il rischio di incidenti.
- Non consentire a bambini di utilizzare il prodotto o avvicinarsi a esso. Data l'estrema facilità di avviamento del prodotto, i bambini potrebbero essere in grado di avviarlo se non sorvegliati. Sussiste il rischio di gravi lesioni personali. Scollegare la batteria quando il prodotto viene lasciato incustodito.
- Controllare che non vi siano persone o animali in un raggio di 15 metri durante il lavoro. Nel caso in cui più utenti stiano lavorando nella stessa zona, la distanza di sicurezza deve essere almeno 15 metri. Altrimenti vi è il rischio di gravi lesioni personali. Arrestare immediatamente l'unità nel caso qualcuno si avvicini. Non girarsi mai con il prodotto in azione senza prima aver controllato che non ci sia nessuno alle vostre spalle entro la zona di sicurezza.
- Accertarsi che la presenza di persone, animali o altro non possa influire sul controllo del prodotto o che non vengano a contatto con il gruppo di taglio o che oggetti allentati possano essere scagliati in aria dal gruppo di taglio. Non utilizzare il prodotto se non si è certi di poter chiedere aiuto in caso di incidente.
- Controllare sempre l'area di lavoro. Rimuovere eventuali corpi estranei quali pietre, frammenti di vetro, chiodi, fili di ferro, corde ecc. che potrebbero essere scagliati oppure penetrare nel gruppo di taglio.
- Accertarsi di poter camminare e lavorare in sicurezza. In caso di spostamenti, controllare che non vi siano ostacoli (ceppi, radici, rami, fossati ecc.). Fare particolare attenzione quando si lavora su terreni in pendenza.
- Mantenere una posizione stabile ed equilibrata in qualsiasi momento. Operare in sicurezza.
- Gli spostamenti vanno sempre eseguiti con il prodotto spento. Fissare la protezione di trasporto quando il prodotto non è in uso.
- Non poggiare mai il prodotto al suolo se non è stato spento. Non lasciare il prodotto senza supervisione se acceso.
- Rimuovere la batteria prima di passare il prodotto a un'altra persona.
- Assicurarsi che all'accensione, il gruppo di taglio non entri in contatto con vestiti o parti del corpo.
- Se un oggetto si blocca nel gruppo di taglio durante l'utilizzo del prodotto, arrestare e disattivare il dispositivo. Accertarsi che il gruppo di taglio si arresti completamente. Rimuovere la batteria prima di procedere alla pulizia, all'ispezione o alla riparazione del prodotto e/o del gruppo di taglio.
- Tenere le mani e i piedi lontani dal gruppo di taglio fino al suo completo arresto quando il prodotto viene disattivato.
- Fare attenzione ad eventuali ramoscelli che potrebbero venir lanciati in aria durante il taglio. Non effettuare tagli troppo vicini al terreno, in quanto pietre e altri corpi estranei potrebbero venire scagliati in aria.
- Rischio di oggetti volanti. Usare sempre protezione per gli occhi omologata. Evitare di lavorare inclinati verso la protezione del gruppo di taglio. C'è la possibilità di essere colpiti a un occhio da un sasso, un ramo o altri oggetti sollevatisi dal terreno, con conseguenze anche molto gravi, quali la cecità.
- Far sempre attenzione a segnali di allarme o eventuali grida quando si utilizzano le cuffie protettive. Togliere sempre le cuffie protettive immediatamente all'arresto del prodotto.
- Non lavorare mai su una scala, uno sgabello o in altra posizione sollevata da terra che non sia ben fissata.
- Questo apparecchio genera un campo elettromagnetico durante il funzionamento. Tale campo può interferire, in alcuni casi, con persone portatrici di impianti medici attivi o passivi. Per ridurre il rischio di gravi lesioni personali o mortali, i portatori di tali impianti devono consultare il proprio medico e il relativo produttore prima di utilizzare la macchina.
- Tenere sempre saldamente il prodotto con entrambe le mani. Tenere il prodotto sul lato destro del proprio corpo.
- Prima di rimuovere il materiale avvolto intorno all'albero della lama o impigliato tra la protezione e il gruppo di taglio, arrestare sempre il prodotto e assicurarsi che il gruppo di taglio non ruoti.
- Il campo elettromagnetico durante il funzionamento può interferire con impianti medici attivi o passivi. I portatori di impianti medici devono parlare con il proprio medico e il produttore dell'impianto prima di utilizzare questo prodotto.
- Far sostenere dal cinghiaggio il peso del prodotto in modo che sia facile da usare.

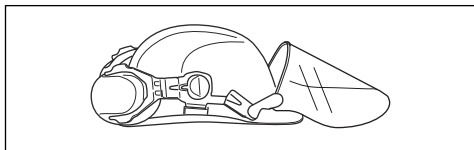
- Una lunga esposizione al rumore può comportare lesioni permanenti all'udito. Husqvarna consiglia agli operatori di utilizzare cuffie protettive omologate.
- Non usare mai un prodotto che abbia subito modifiche tali da non corrispondere più alle specifiche originali.
- Non usare mai un prodotto difettoso. Eseguire i controlli di sicurezza e attenersi alle istruzioni di manutenzione e riparazione riportate nel presente manuale. Alcuni interventi devono essere eseguiti da personale specializzato. Vedere le istruzioni alla sezione Manutenzione.
- Eseguire un'ispezione generale del prodotto prima dell'utilizzo. Consultare il programma di manutenzione.
- Non consentire mai ad altri l'utilizzo della macchina senza prima accertarsi che abbiano letto e compreso il contenuto del manuale operatore.
- Controllare l'area di lavoro per escludere la presenza di corpi estranei, quali cavi elettrici e animali ecc., oppure di altri oggetti che potrebbero danneggiare il gruppo di taglio, ad esempio elementi metallici.
- Delle lame difettose possono aumentare il rischio di incidenti.

## Dispositivi di protezione individuale



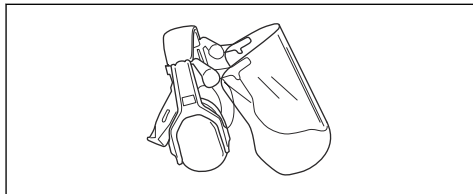
**AVVERTENZA:** Leggere le seguenti avvertenze prima di utilizzare il prodotto.

- Usare sempre abbigliamento protettivo personale omologato quando si utilizza il prodotto. L'uso di abbigliamento protettivo personale non elimina il rischio di lesioni, ma ne riduce la gravità in caso di incidente. Farsi consigliare dal rivenditore per la scelta dell'attrezzatura adatta.
- Elmetto protettivo laddove sussiste il rischio di caduta di oggetti.



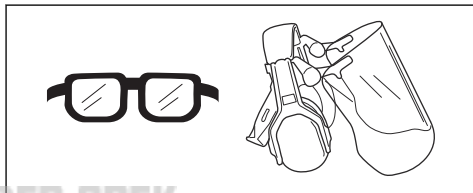
- Una lunga esposizione al rumore può comportare lesioni permanenti all'udito. In generale, i prodotti alimentati a batteria sono relativamente silenziosi ma la combinazione di livello acustico e uso prolungato può provocare lesioni. Husqvarna raccomanda che gli operatori indossino cuffie protettive quando utilizzano prodotti in modo continuativo per un periodo superiore a un giorno. Gli operai che utilizzano il prodotto in modo regolare e continuativo

devono essere sottoposti regolarmente al controllo dell'udito.

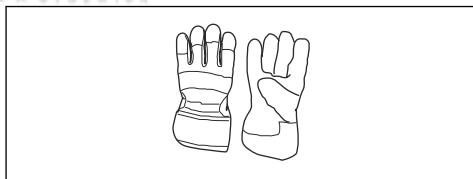


**AVVERTENZA:** Le cuffie protettive limitano la capacità di udire suoni e segnali di avvertenza.

- Utilizzare protezioni per gli occhi omologate. Con l'uso della visiera è necessario anche l'uso di occhiali protettivi omologati. Con il termine occhiali protettivi omologati si intendono occhiali che siano conformi alle norme ANSI Z87.1 per gli USA o EN 166 per i paesi EU.



- Indossare guanti ove necessario, ad esempio per montare, ispezionare o pulire l'attrezzatura di taglio.



- Indossare indumenti di tessuto resistente. Indossare sempre pantaloni lunghi e pesanti e maniche lunghe. Non indossare indumenti larghi che potrebbero impigliarsi nei ramoscelli e nei rami. Non indossare gioielli, pantaloni corti o sandali e non lavorare a piedi nudi. Raccogliere i capelli in modo sicuro sopra le spalle.
- Tenere a portata di mano il kit di primo soccorso.



## Dispositivi di sicurezza sul prodotto



**AVVERTENZA:** Leggere le seguenti avvertenze prima di utilizzare il prodotto.

In questo capitolo vengono presentati i dispositivi di sicurezza del prodotto, la loro funzione, il controllo e la manutenzione necessari per assicurarne una funzione ottimale. Servirsi delle istruzioni nella sezione *Panoramica del prodotto alla pagina 109* per localizzare questi dispositivi sulla motosega.

La durata del prodotto può ridursi e il rischio di incidenti aumentare se la manutenzione non viene eseguita correttamente e se l'assistenza e/o le riparazioni non vengono effettuate da personale qualificato. Per ulteriori informazioni, contattare il rivenditore con assistenza più vicino.



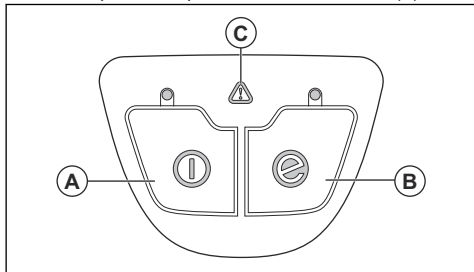
**AVVERTENZA:** Non utilizzare mai una macchina con dispositivi di sicurezza difettosi. I dispositivi di sicurezza di sicurezza del prodotto vanno controllati e sottoposti a manutenzione secondo quanto descritto in questo capitolo. Se il prodotto non supera tutti i controlli, contattare un'officina per le necessarie riparazioni.



**ATTENZIONE:** tutte le riparazioni e l'assistenza della macchina vanno eseguite da personale specializzato. Quanto detto vale in particolare per i dispositivi di sicurezza della macchina. Se la macchina non supera tutti i controlli sottoelencati, contattare l'officina autorizzata. L'acquisto di uno dei nostri prodotti garantisce l'assistenza di personale qualificato. Se non avete acquistato la macchina presso un rivenditore con centro di assistenza, informatevi sull'ubicazione della più vicina officina autorizzata.

### Controllo della tastiera

1. Tenere premuto il pulsante di avvio/arresto (A).

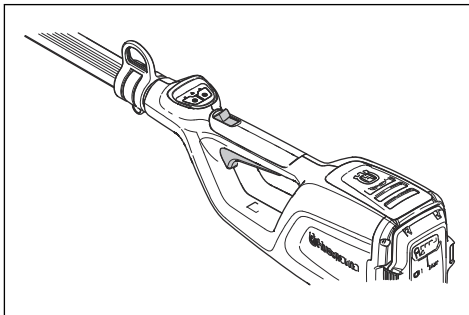


- a) Il prodotto è attivato quando il LED si accende.
- b) Il prodotto è disattivato quando il LED si spegne.

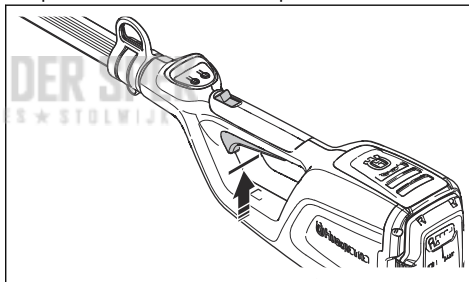
2. Fare riferimento a *Avvio della funzione SavE alla pagina 120* per la funzione del pulsante SavE (B).
3. Fare riferimento a *Ricerca guasti alla pagina 122* se la spia di avvertenza (C) si accende o lampeggia.

### Controllo del fermo della leva di comando

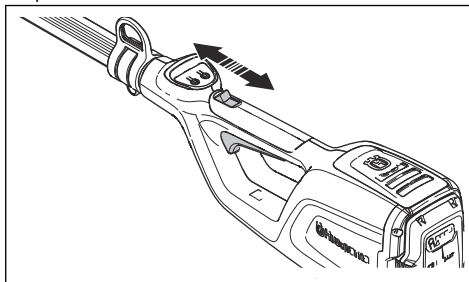
Il blocco della leva comando previene l'attivazione accidentale della macchina. Rilasciando l'impugnatura, la leva di comando e il fermo della leva comando ritornano entrambi alla posizione iniziale.



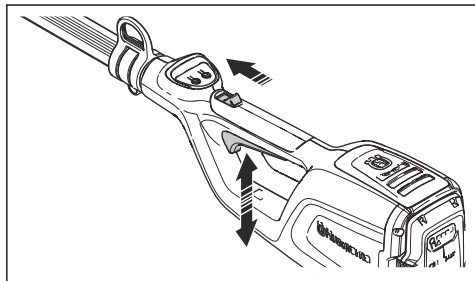
1. Controllare che la leva di comando sia bloccata quando il fermo si trova nella posizione iniziale.



2. Tirare e rilasciare il fermo e accertarsi che torni nella posizione iniziale.



- Controllare che la leva di comando e il relativo fermo si muovano liberamente e che la molla di richiamo funzioni correttamente.



- Avviare il prodotto, vedere *Avviamento del prodotto alla pagina 120*.
- Accelerare alla velocità massima.
- Rilasciare la leva comando e assicurarsi che il gruppo di taglio si arresti.

### Sicurezza batterie



**AVVERTENZA:** Leggere le seguenti avvertenze prima di utilizzare il prodotto.

- La batteria consigliata è BLi10. Fare riferimento a *Dati tecnici alla pagina 124*. La batteria è codificata mediante software.
- Utilizzare le batterie BLi10 ricaricabili come alimentazione esclusivamente per i prodotti Husqvarna in questione. Per evitare il rischio di lesioni, non utilizzare la batteria come fonte di alimentazione per altri dispositivi.
- Rischio di scosse elettriche. Non collegare i morsetti della batteria a chiavi, monete, viti o altro tipo di metallo. Ciò può causare un corto circuito della batteria.
- Non utilizzare batterie non ricaricabili.
- Non inserire oggetti nelle feritoie di aerazione della batteria.
- Tenere la batteria lontano dalla luce del sole, dal calore o da fiamme libere. La batteria può causare bruciature e/o ustioni chimiche.
- Tenere la batteria lontano da pioggia e umidità.
- Tenere la batteria lontano da microonde e alta pressione.
- Non tentare di smontare o rompere la batteria.
- In caso di perdite dalla batteria, non lasciare che il liquido entri in contatto con il corpo o con gli occhi. In caso di contatto con il liquido, pulire l'area con grandi quantità di acqua e sapone e consultare un medico. In caso di contatto del liquido con gli occhi, non strofinare, ma sciacquare abbondantemente con acqua per almeno 15 minuti e chiamare un medico.
- Utilizzare la batteria a temperature comprese tra -10 °C (14 °F) e 40 °C (114 °F).

- Non pulire la batteria o il caricabatterie con acqua. Fare riferimento a *Per pulire il prodotto, la batteria e il caricabatterie alla pagina 122*.
- Non utilizzare una batteria difettosa o danneggiata.
- Conservare le batterie lontano da oggetti metallici, come ad esempio chiodi, viti o gioielli.
- Tenere la batteria fuori dalla portata dei bambini.

### Sicurezza del caricabatterie



**AVVERTENZA:** Leggere le seguenti avvertenze prima di utilizzare il prodotto.

- Rischio di scosse elettriche o cortocircuiti se non si osservano le istruzioni di sicurezza.
- Non utilizzare un caricabatterie diverso da quello fornito per il prodotto. Il caricabatteria consigliato è QC80 quando si carica la batteria BLi10.
- Non tentare di smontare il caricabatterie.
- Non utilizzare un caricabatterie difettoso o danneggiato.
- Non sollevare il caricabatterie tramite il cavo di alimentazione. Per scollegare il caricabatterie da una presa di rete, tirare la spina. Non tirare il cavo di alimentazione.
- Tenere tutti i cavi e le prolunghie lontani da acqua, olio e bordi appuntiti. Fare attenzione affinché il cavo non si incastri in oggetti come, ad esempio, porte, recinti o simili.
- Non utilizzare il caricabatterie in prossimità di materiali infiammabili o materiali corrosivi. Accertarsi che il caricabatterie non sia coperto. Staccare la spina del caricabatterie in caso di fumo o incendio.
- Caricare la batteria solo in luoghi chiusi, in una posizione con un buon flusso d'aria e lontano dalla luce diretta del sole. Non caricare la batteria all'aperto. Non caricare la batteria in condizioni di umidità.
- Utilizzare esclusivamente il caricabatterie a temperature comprese tra 5 °C (41 °F) e 40 °C (104 °F). Utilizzare il caricabatterie in un ambiente con adeguato flusso d'aria, asciutto e privo di polvere.
- Non inserire oggetti nelle feritoie di raffreddamento del caricabatterie.
- Non collegare i terminali del caricabatterie a oggetti metallici, poiché questo può provocare un cortocircuito del caricabatterie.
- Utilizzare prese di rete omologate che non siano danneggiate. Accertarsi che il cavo del caricabatterie non sia danneggiato. Se si utilizzano cavi di prolunga, accertarsi che questi non siano danneggiati.

## Istruzioni di sicurezza per la manutenzione



**AVVERTENZA:** Leggere le avvertenze seguenti prima di eseguire la manutenzione del prodotto.

- Rimuovere la batteria prima di eseguire la manutenzione, altri controlli o montare il prodotto.
- L'operatore deve eseguire solo gli interventi di manutenzione e assistenza indicati in questo manuale operatore. Rivolgersi al Centro di assistenza di competenza per interventi di manutenzione e assistenza più importanti.
- Non pulire la batteria o il caricabatteria con acqua. Detergenti aggressivi possono causare danni alla plastica.
- Se non si esegue la manutenzione, si riduce il ciclo di vita del prodotto e aumenta il rischio di incidenti.

- È necessaria una formazione specifica per eseguire tutti gli interventi di manutenzione e lavori di riparazione, in particolare per i dispositivi di sicurezza del prodotto. Se non vengono approvati tutti i controlli descritti nel presente manuale operatore, dopo aver eseguito la manutenzione, contattare il Centro di assistenza. La nostra azienda garantisce la disponibilità di personale qualificato per le riparazioni e l'assistenza del prodotto.
- Mantenere i denti della lama affilati accuratamente e nel modo giusto. Seguire le nostre indicazioni. Vedere anche le istruzioni sulla confezione della lama.
- Utilizzare unicamente ricambi originali.
- Utilizzare guanti per lavori pesanti quando si ripara il gruppo di taglio. Le lame sono estremamente affilate e possono facilmente causare lesioni.

## Montaggio

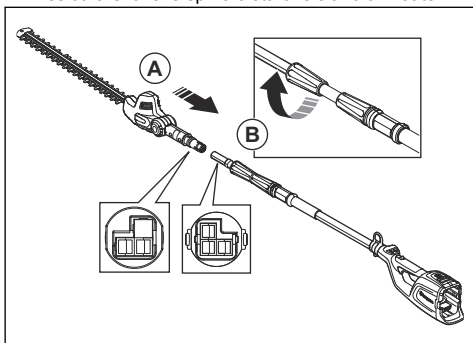
### Introduzione



**AVVERTENZA:** Leggere e comprendere il capitolo sulla sicurezza prima di montare il prodotto.

### Montaggio dell'albero

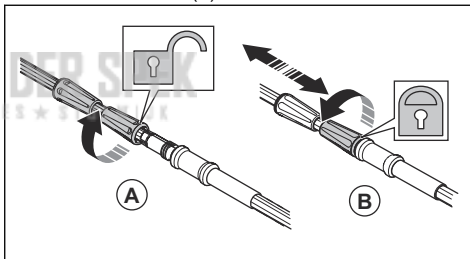
1. Assicurarsi che le spine elettriche siano allineate.



2. Inserire le estremità dell'albero (A) completamente.
3. Serrare l'impugnatura a vite sul lato della testina del tagliaiepi dell'albero (B).

### Modifica della lunghezza dell'albero

1. Allentare l'impugnatura a vite sul lato del vano batteria dell'albero (A).



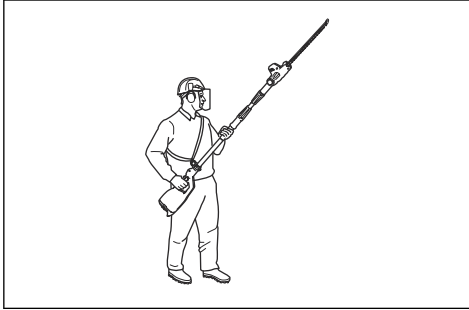
2. Regolare l'albero alla lunghezza applicabile.
3. Serrare l'impugnatura a vite (B).

### Regolazione del cinghiaggio

Utilizzare sempre il cinghiaggio durante l'utilizzo del prodotto. Il cinghiaggio consente il massimo controllo durante l'utilizzo del prodotto. Il cinghiaggio riduce il rischio di stanchezza per le braccia e la schiena.

1. Indossare il cinghiaggio.
2. Fissare il prodotto al gancio di sospensione del cinghiaggio.

3. Regolare la lunghezza del cinghiaggio fino a quando il gancio non si trova all'incirca all'altezza del fianco destro dell'operatore.



## Utilizzo

### Introduzione



**AVVERTENZA:** Leggere e comprendere il capitolo sulla sicurezza prima di utilizzare la macchina.

### Cosa fare prima di accendere il prodotto

1. Esaminare l'area di lavoro. Rimuovere gli oggetti che potrebbero venir lanciati in aria.
2. Controllare il gruppo di taglio. Accertarsi che le lame siano affilate e che non presentino crepe e danni.
3. Assicurarsi che il prodotto funzioni correttamente. Controllare che tutti i dadi e le viti siano ben serrati.
4. Assicurarsi che impugnatura e dispositivi di sicurezza non siano danneggiati e siano collegati correttamente. Non utilizzare un prodotto con parti mancanti o che sia stato modificato rispetto alle sue specifiche iniziali. Usare i guanti protettivi se necessario.
5. Assicurarsi che i coperchi non siano danneggiati e siano collegati correttamente, prima di accendere il prodotto.

### Per collegare il caricabatterie

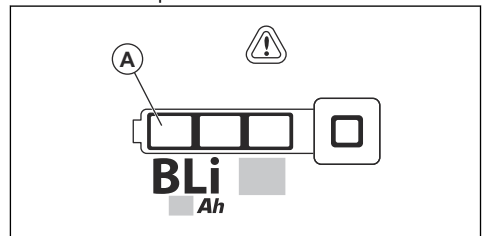
1. Collegare il caricabatterie alla tensione e alla frequenza indicate sulla targhetta dati di funzionamento.
2. Inserire la spina in una presa di corrente con messa a terra. Il LED sul caricabatterie lampeggia verde per una volta.

**Nota:** La batteria non si carica se la sua temperatura è superiore a 50 °C/122 °F. Se la temperatura è superiore a 50 °C/122 °F, il caricabatterie raffredda la batteria prima del caricamento.

### Collegamento della batteria al caricabatterie

**Nota:** È necessario caricare la batteria prima di utilizzarla per la prima volta. Una batteria nuova è carica solo al 30 %.

1. Verificare che la batteria sia asciutta.
2. Collegare la batteria al caricabatterie.
3. Accertarsi che la spia di carica verde sul caricabatterie si accenda. Ciò indica che la batteria è collegata correttamente al caricabatterie.
4. Quando tutti i LED (A) sulla batteria sono accesi, la batteria è completamente carica.



5. Per scollegare il caricabatterie dalla presa di rete, tirare la spina. Non tirare il cavo.
6. Rimuovere la batteria dal caricabatterie.

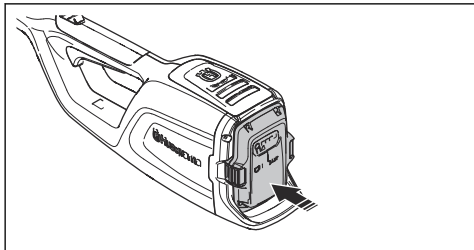
**Nota:** Fare riferimento ai manuali della batteria e del caricabatterie per ulteriori informazioni.

### Per collegare la batteria al prodotto.



**AVVERTENZA:** Utilizzare solo le batterie originali Husqvarna contenute nel prodotto.

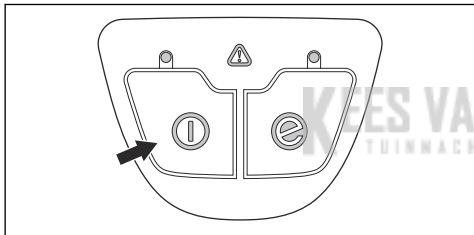
1. Verificare che la batteria sia completamente carica.
2. Inserire la batteria nel supporto della batteria del prodotto. La batteria deve entrare facilmente nel vano. In caso contrario, non è installata correttamente.



3. Spingere la parte inferiore della batteria e spingerla verso l'interno fino in fondo nel vano. La batteria si blocca in posizione quando si percepisce un clic.
4. Assicurarsi che le chiusure si blocchino correttamente in posizione.

## Avviamento del prodotto

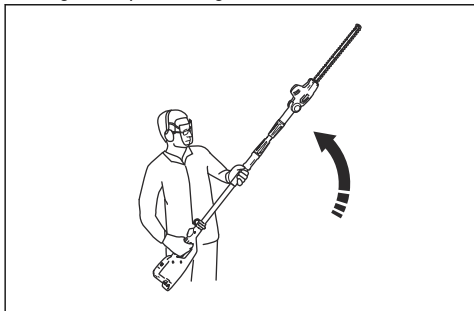
1. Tenere premuto il pulsante d'avvio/arresto fino all'accensione del LED verde.



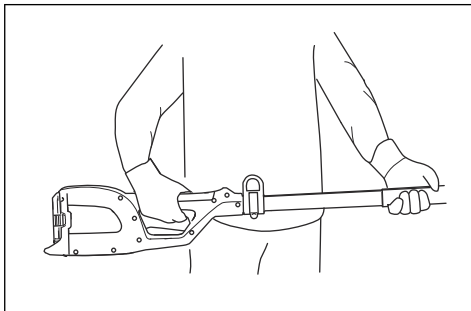
2. Tirare all'indietro il fermo della leva di comando e afferrare la leva.

## Utilizzo del prodotto

- Iniziare da terra e spostare il prodotto verso l'alto lungo la siepe se si tagliano i lati.



- Tenere il prodotto vicino al corpo per una posizione di lavoro stabile.

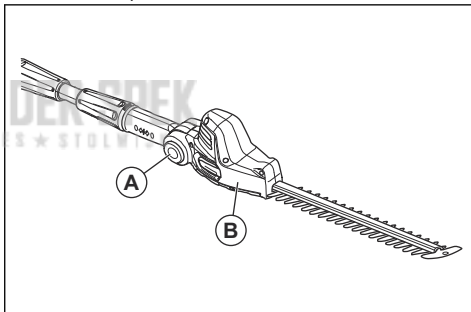


- Assicurarsi che la punta dell'attrezzatura di taglio non tocchi il terreno.
- Prestare la massima attenzione e lavorare lentamente fino a quando tutti i rami non sono tagliati correttamente.

## Regolazione dell'angolo del gruppo di taglio

Il gruppo di taglio può essere regolato in 7 posizioni diverse.

1. Arrestare il prodotto e rimuovere la batteria.



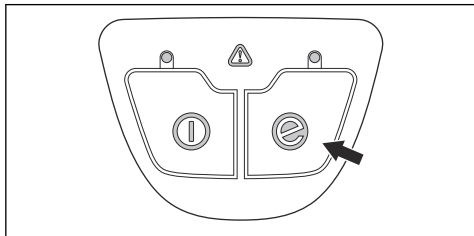
2. Tenere saldamente l'alloggiamento (B).
3. Tenere premuti i pulsanti di bloccaggio (A) sui 2 lati dell'alloggiamento (B).
4. Muovere il gruppo di taglio alla corretta angolazione.
5. Rilasciare i pulsanti di bloccaggio (A) sui 2 lati.
6. Spostare l'alloggiamento (B) verso l'alto e verso il basso finché il gruppo di taglio non si blocca in posizione.

## Avvio della funzione SavE

Il prodotto dispone di una funzione SavE. La funzione SavE offre un maggiore tempo di funzionamento dalla batteria.



1. Premere il pulsante SavE. Il LED si accende per indicare che la funzione è attiva.



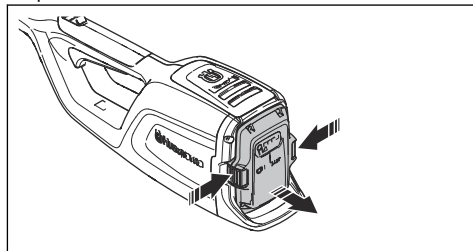
2. Premere nuovamente il pulsante SavE per arrestare la funzione.

### Funzione di arresto automatico

Il prodotto dispone di una funzione di arresto automatico che lo blocca in caso di mancato utilizzo. Il LED verde di avvio/arresto si spegne e il prodotto si ferma per 60 secondi.

### Arresto del prodotto

1. Rilasciare la leva di comando.
2. Tenere premuto il pulsante di avvio/arresto fin quando il LED verde non si spegne.
3. Rimuovere la batteria dal prodotto. Premere i 2 pulsanti di rilascio ed estrarre la batteria.



## Manutenzione

### Introduzione



**AVVERTENZA:** Leggere attentamente il capitolo sulla sicurezza prima di eseguire qualsiasi operazione di manutenzione del prodotto.



**AVVERTENZA:** Rimuovere la batteria prima di eseguire la manutenzione del prodotto.

### Programma di manutenzione

Qui di seguito è disponibile una lista delle operazioni di manutenzione da eseguire sul prodotto.

Manutenzione	Prima dell'uso	Una volta a settimana	Una volta al mese
Pulire esternamente il prodotto.	X		
Controllare che l'interruttore di avvio/arresto funzioni correttamente e sia integro.	X		
Assicurarsi che il fermo della leva di comando e la leva di comando funzionino correttamente e in modo sicuro.	X		
Accertarsi che tutti i comandi funzionino e non siano danneggiati.	X		
Assicurarsi che la lama del tagliente e la relativa protezione non presentino incrinature e che non abbiano subito danni. Sostituire la lama del tagliente o la relativa protezione se presentano incrinature o nel caso in cui abbiano subito degli urti.	X		
Sostituire la lama del tagliente se è piegata o danneggiata.	X		
Assicurarsi che i dadi e le viti siano serrati a fondo.	X		
Verificare che la batteria non sia danneggiata.	X		
Verificare che la batteria sia carica.	X		

Manutenzione	Prima dell'uso	Una volta a settimana	Una volta al mese
Verificare che il caricabatterie non sia danneggiato.	X		
Accertarsi che le viti che fissano le lame del tagliente siano ben serrate.		X	
Effettuare un controllo dei collegamenti tra la batteria e il prodotto. Controllare il collegamento tra la batteria e il caricabatterie.			X

## Controllo della batteria e del caricabatterie

1. Controllare se la batteria presenta danni, ad esempio incrinature.
2. Controllare se il caricabatterie presenta danni, ad esempio incrinature.
3. Verificare che il cavo di collegamento del caricabatterie non sia danneggiato e che non presenti crepe.

## Per pulire il prodotto, la batteria e il caricabatterie

1. Pulire il prodotto con un panno asciutto dopo l'uso.
2. Pulire la batteria e il caricabatterie con un panno asciutto. Mantenere puliti i binari guida della batteria.
3. Assicurarsi che i morsetti della batteria e il caricabatterie siano puliti prima di posizionare la batteria nel caricabatterie o nel prodotto.

## Esame della lama del tagliente

1. Pulire le lame del tagliente con un detergente anticorrosione prima e dopo aver utilizzato il prodotto.
2. Esaminare i bordi della lama del tagliente per rilevare eventuali danni o deformazioni.

3. Usare una lima per rimuovere le irregolarità sulla lama del tagliente.
4. Assicurarsi che le lame del tagliente si muovano liberamente.

## Pulizia e lubrificazione delle lame

1. Pulire le lame da sostanze indesiderate, prima e dopo aver utilizzato il prodotto.
2. Lubrificare le lame se si prevede di non utilizzare il prodotto per un periodo di tempo prolungato.

**Nota:** Rivolgersi al centro di assistenza per maggiori informazioni sui detergenti e i lubrificanti consigliati.

## Lubrificazione del cambio

Se il cambio è stato smontato da un rivenditore approvato, applicare del grasso sulla scatola ingranaggi.

- Usare grasso speciale Husqvarna. Rivolgersi al centro di assistenza per maggiori informazioni sul grasso consigliato.
- Utilizzare solo una piccola quantità di grasso speciale di alta qualità.



**ATTENZIONE:** Non riempire completamente la scatola ingranaggi.

## Ricerca guasti

### Tastiera

Schermata dei LED	Possibili guasti	Soluzioni possibili
Il LED di errore lampeggia.	Sovraccarico	Il gruppo di taglio non può muoversi liberamente. Rilasciare il gruppo di taglio.
Il prodotto non si avvia.	I connettori della batteria sono sporchi.	Pulire i collegamenti della batteria con aria compressa o con un pennello morbido.
Il LED di errore si accende di colore rosso.	È necessario eseguire la manutenzione del prodotto.	Contattare il centro di assistenza.

## Batteria

Display a LED	Possibili guasti	Possibile soluzione
Il LED verde lampeggia.	La tensione della batteria è bassa.	Caricare la batteria.
Il LED di errore lampeggia.	Deviazione di temperatura.	Utilizzare la batteria a temperature comprese tra -10 °C (14 °F) e 40 °C (104 °F).
	Tensione eccessiva.	Accertarsi che la tensione di rete corrisponda a quella indicata sulla targhetta dati di funzionamento del prodotto. Rimuovere la batteria dal caricabatterie.
Il LED di errore è acceso.	Differenza troppo elevata nella cella (1 V).	Contattare il centro di assistenza.

## Caricabatterie

Problema	Possibili guasti	Soluzione possibile
Il LED rosso di errore lampeggia.	Deviazione di temperatura.	Utilizzare il caricabatterie a temperature comprese tra 5 °C (41 °F) e 40 °C (104 °F).
Il LED rosso di errore si accende.	Differenza eccessiva tra le celle (1 V).	Contattare il centro di assistenza.

---

## Trasporto, stoccaggio e smaltimento

---

### Trasporto e rimessaggio

- Le batterie agli ioni di litio in dotazione rispettano i requisiti di legge sulle merci pericolose.
- Rispettare i requisiti speciali riportati sulla confezione e sulle etichette per il trasporto commerciale, compreso quello effettuato da terzi e da corrieri.
- Parlare con personale che ha seguito una formazione specifica in materiali pericolosi prima di inviare il prodotto. Rispettare tutte le norme nazionali vigenti.
- Quando si inserisce la batteria in un contenitore, applicare del nastro adesivo sui contatti aperti. Inserire la batteria nel contenitore in modo da garantirne la massima aderenza.
- Rimuovere la batteria per la conservazione o il trasporto.
- Conservare la batteria e il caricabatterie in un luogo asciutto, privo di umidità e protetto dal gelo.
- Non conservare la batteria in aree elettricamente statiche. Non conservare mai la batteria in una scatola di metallo.
- Durante il rimessaggio, conservare la batteria in un luogo dove la temperatura è compresa tra 5 °C/41 °F e 25 °C/77 °F e lontano da luce solare.
- Durante il rimessaggio, conservare il caricabatterie in un luogo dove la temperatura è compresa tra 5 °C/41 °F e 45 °C/113 °F e lontano da luce solare.
- Utilizzare il caricabatterie soltanto quando la temperatura circostante è compresa tra 5 °C/41 °F e 40 °C/104 °F.
- Caricare la batteria dal 30% al 50% prima di immagazzinarla per lunghi periodi.
- Conservare il caricabatterie in un luogo chiuso e asciutto.
- Tenere la batteria lontano dal caricabatterie durante il rimessaggio. Non lasciare che i bambini e altre persone non autorizzate tocchino l'attrezzatura. Mantenere le attrezzature in un luogo che è possibile chiudere.
- Pulire il prodotto ed eseguire una manutenzione completa prima di conservarlo per lunghi periodi.

- Utilizzare la protezione di trasporto sul prodotto per evitare che si danneggi durante il trasporto e il rimessaggio.
- Bloccare il prodotto in modo sicuro durante il trasporto.

una stazione di riciclaggio per apparecchiature elettriche ed elettroniche. Ciò contribuisce ad evitare danni all'ambiente e alle persone.

Contattare le autorità locali, il servizio per i rifiuti domestici o il rivenditore per ulteriori informazioni su come riciclare il prodotto.

## Smaltimento della batteria, del caricabatterie e del prodotto

I simboli sul prodotto o sull'imballaggio indicano che il presente prodotto non è rifiuto domestico. Riciclarlo in

## Dati tecnici

### Dati tecnici

	<b>120ITK4-H</b>
<b>Motore</b>	
Tipo di motore	PMDC 36 V
<b>Peso</b>	
Peso senza batteria, kg	4,6
Peso con batteria (batteria predefinita BLi10), kg	5,3
<b>Emissioni di rumore<sup>19</sup></b>	
Livello potenza acustica, misurato dB(A)	91,32
Livello di potenza acustica, garantito $L_{WA}$ dB(A)	94
<b>Livelli di rumorosità<sup>20</sup></b>	
Livello di pressione acustica rispetto all'udito dell'operatore, misurato in base alle norme EN 62841-1 ed EN 62841-4-2, dB(A):	81,3
<b>Livelli di vibrazioni<sup>21</sup></b>	
Livelli di vibrazioni per ( $a_h$ ) sulle impugnature anteriore/posteriore, $m/s^2$ Fare riferimento alle normative EN 62841-1 e EN 62841-4-2.	1,223/0,816
<b>Attrezzatura di taglio</b>	
Tipo	A doppio taglio
Lunghezza della lama, mm	500

<sup>19</sup> Emissioni di rumore nell'ambiente misurate come potenza sonora ( $L_{WA}$ ) in base alla direttiva CE 2000/14/CE. La differenza tra potenza acustica misurata e garantita è che la potenza acustica garantita comprende anche la dispersione nel risultato di misurazione e le variazioni tra diversi prodotti dello stesso modello come da Direttiva 2000/14/CE.

<sup>20</sup> La dispersione statistica tipica del livello di pressione acustica equivalente è una deviazione standard di 3 dB (A).

<sup>21</sup> I dati riportati per il livello di vibrazioni presentano una dispersione statistica tipica (deviazione standard) di 1,5  $m/s^2$ .

Il valore totale dichiarato relativo alle vibrazioni è stato misurato secondo metodi di verifica standard e può essere utilizzato per confrontare un dispositivo con un altro.

È possibile utilizzare il valore totale dichiarato relativo alle vibrazioni in una valutazione preliminare dell'esposizione.

	<b>120ITK4-H</b>
Velocità lame, tagli/min in modalità SavE	2250
Velocità lame, tagli/min non in modalità SavE	2800

### Caricabatterie omologati

<b>Caricabatteria</b>	<b>QC80</b>
Tensione di entrata, V	100-240
Frequenza, Hz	50-60
Potenza, W	100
Tensione di uscita, V DC/A	36/2

### Batterie approvate per il prodotto

<b>Batteria</b>	<b>BLI10</b>
Tipo	Ioni di litio
Capacità batteria, Ah	Fare riferimento alla decalcomania dei valori nominali della batteria
Tensione nominale, V	36
Peso, kg	0,7

---

## Dichiarazione di conformità CE

---

### Dichiarazione di conformità CE

**Husqvarna AB**, SE-561 82 Huskvarna, Svezia, tel.: +46-36-146500, dichiara con la presente che il tagliasiepi telescopico a batteria **Husqvarna 120iTK4-H**, a partire dai numeri di serie 2021 (l'anno viene evidenziato nella targhetta dati di funzionamento seguito dal numero di serie), è conforme alle disposizioni della DIRETTIVA DEL CONSIGLIO:

- del 17 maggio 2006 "sulle macchine" **2006/42/CE**.
- del 26 febbraio 2014 "sulla compatibilità elettromagnetica" **2014/30/UE**.
- dell'8 giugno 2011 "sulla restrizione dell'uso di determinate sostanze pericolose" **2011/65/UE**.

Sono state applicate le seguenti norme:

**EN 62841-1:2015, EN 62841-4-2:2019, EN 55014-1:2017+A11, EN 55014-2:2015, CISPR12:2007+A1 2009, EN IEC 63000:2018.**

TÜV Rheinland LGA Products GmbH, Tillystrasse 2, D-90431 Nuernberg, Germany, ha eseguito l'omologazione volontaria per conto di Husqvarna AB. Il certificato reca il numero: **AM 50491653 0001**.

Huskvarna 2020-12-30



**KEES VAN DER SPEK**  
CHINES ★ STOLWIJK

Pär Martinsson, Responsabile sviluppo (rappresentante autorizzato per Husqvarna AB e responsabile della documentazione tecnica).

## Inhoud

Inleiding.....	127	Probleemoplossing.....	140
Veiligheid.....	129	Vervoer, opslag en verwerking.....	141
Montage.....	136	Technische gegevens.....	142
Werking.....	137	EG verklaring van overeenstemming.....	144
Onderhoud.....	139		

## Inleiding

### Productbeschrijving

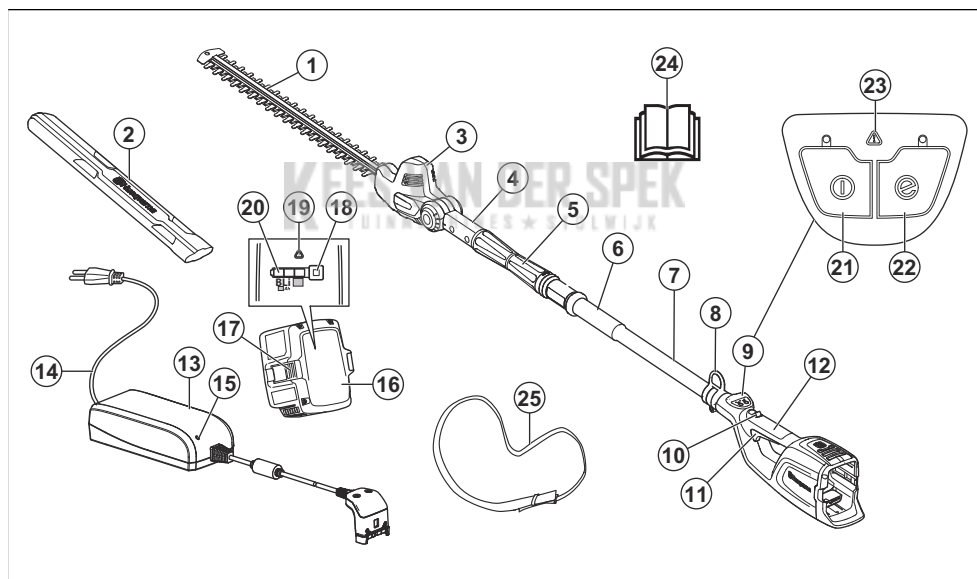
Husqvarna 120iTK4-H is een telescoopstokheggenschaar met accu.

Er wordt voortdurend gewerkt aan het verhogen van uw veiligheid en efficiëntie tijdens bedrijf. Neem voor meer informatie contact op met uw servicedealer.

### Gebruik

Gebruik het product voor het snoeien van takken en twijgen. Gebruik het product niet voor andere taken.

### Productoverzicht



- |                                      |                                  |
|--------------------------------------|----------------------------------|
| 1. Mes                               | 11. Voedingsschakelaar           |
| 2. Transportbescherming              | 12. Achterhandgreep              |
| 3. Behuizing                         | 13. Acculader                    |
| 4. Deelbare hendel                   | 14. Draad                        |
| 5. Telescoopfunctie                  | 15. Spannings-/waarschuwings-led |
| 6. Voorhandgreep                     | 16. Accu                         |
| 7. Steel                             | 17. Accuontgrendelknoppen        |
| 8. Ophanghaak draagstel              | 18. Accu-indicatielamp           |
| 9. Toetsenbord                       | 19. Waarschuwings-led            |
| 10. Vergrendeling voedingsschakelaar | 20. Accu-indicatielamp           |

21. Start/stop-knop
22. SavE-knop
23. Waarschuwings-led
24. Bedieningshandleiding
25. Draagstel

## Symbolen op het product



**WAARSCHUWING!** Dit product is gevaarlijk. Onzorgvuldig of onjuist gebruik van het product kan leiden tot letsel of de dood van de gebruiker of omstanders. Lees en volg alle veiligheidsinstructies in de bedieningshandleiding om letsel bij de gebruiker of omstanders te voorkomen. Lees de bedieningshandleiding zorgvuldig door en zorg dat u de instructies hebt begrepen voordat u het product gebruikt.



Gebruik een veiligheidshelm op locaties waar objecten op u kunnen vallen. Gebruik goedgekeurde gehoorbescherming. Gebruik goedgekeurde oogbescherming.



Draag goedgekeurde veiligheidshandschoenen.



Het product voldoet aan de geldende EG-richtlijnen.



Nominale spanning, V



Gelijkstroom.



Stel het product niet bloot aan regen.



Houd uw handen uit de buurt van het maaiblad.



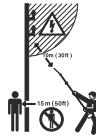
Telescoopfunctie.



Deelbare functie.



Draai naar links om de knop los te maken, draai naar rechts om de knop vast te draaien.



Dit product heeft geen isolatie. Wanneer het product in contact komt met of in de buurt komt van stroomvoerende leidingen kan dit leiden tot dodelijke ongelukken of ernstig letsel. Elektriciteit kan door vonkoverslag van het ene naar het andere punt overslaan. Hoe hoger de spanning, hoe groter de afstand is die de elektriciteit kan overbruggen. Elektriciteit kan ook door takken of andere voorwerpen lopen, vooral als deze nat zijn. Houd altijd minimaal 10 m afstand tussen het product en een leiding waarop spanning staat en/of voorwerpen die daarmee in contact staan. Wanneer u toch met een kortere veiligheidsafstand moet werken, moet u altijd contact opnemen met de desbetreffende energiemaatschappij om ervoor te zorgen dat de spanning uit staat voordat u uw werkzaamheden begint. Houd tijdens de werkzaamheden minimaal 15 m afstand tot andere personen of dieren.

yyyywwxxxx

Het serienummer staat op het productplaatje. **yyyy** is het productiejaar, **ww** is de productieweek.

**Let op:** Andere symbolen/stickers op het product hebben betrekking op certificeringseisen voor bepaalde markten.

## Symbolen op de accu en/of op de accuhouder.



Lever dit product in bij een recyclepunt voor elektrische en elektronische apparatuur. (Alleen geldig voor Europa)



Faalveilige transformator.



Bewaar en gebruik de acculader alleen binnen.





Dubbele isolatie.

## Productaansprakelijkheid

Zoals uiteengezet in de wet voor productaansprakelijkheid zijn wij niet aansprakelijk voor schade die door ons product wordt veroorzaakt, indien:

- het product niet goed is gerepareerd.
- het product is gerepareerd met onderdelen die niet van de fabrikant afkomstig zijn, of onderdelen die niet zijn goedgekeurd door de fabrikant.
- het product een accessoire bevat dat niet afkomstig is van de fabrikant of niet is goedgekeurd door de fabrikant.
- het product niet is gerepareerd door een erkend servicepunt of door een erkende autoriteit.

---

## Veiligheid

---

### Veiligheidsdefinities

Waarschuwingen, voorzorgsmaatregelen en opmerkingen worden gebruikt om te wijzen op belangrijke delen van de handleiding.



**WAARSCHUWING:** Wordt gebruikt om te wijzen op de kans op ernstig of fataal letsel voor de gebruiker of omstanders wanneer de instructies in de handleiding niet worden gevolgd.



**OPGELET:** Wordt gebruikt indien er een risico bestaat op schade aan het product en andere eigendommen of aan de omgeving wanneer de instructies in de handleiding niet worden gevolgd.

**Let op:** Geven verdere informatie die nodig is in een bepaalde situatie.

### Algemene veiligheidswaarschuwingen voor elektrisch gereedschap



**WAARSCHUWING:** Lees alle veiligheidswaarschuwingen en alle instructies. Het niet opvolgen van de waarschuwingen en instructies kan leiden tot elektrische schokken, brand en/of ernstig letsel.

**Let op: Bewaar alle waarschuwingen en instructies voor later gebruik.** De term "elektrisch gereedschap" in de waarschuwingen verwijst zowel naar gereedschappen die op het lichtnet (met snoer) werken als gereedschappen die met een accu (snoerloos) werken.

### Veiligheid van het werkgebied

- **Zorg ervoor dat de werkplek schoon en goed verlicht is.** In rommelige of donkere gebieden gebeuren eerder ongelukken.

- **Gebruik elektrisch gereedschap niet in een omgeving waar ontploffingsgevaar bestaat, zoals in de buurt van brandbare vloeistoffen, gasen of stof.** Elektrische apparaten creëren vonken waardoor het stof of de dampen kunnen ontbranden.
- **Houd kinderen en omstanders op afstand wanneer u elektrisch gereedschap gebruikt.** U kunt de controle over het apparaat verliezen als u afgeleid wordt.

### Elektrische veiligheid

- **Elektrisch gereedschap moet geschikt zijn voor het betreffende stopcontact. Wijzig nooit de stekker. Gebruik nooit een adapterstekker in combinatie met geaarde elektrische gereedschappen.** Ongewijzigde stekkers en overeenkomende stopcontacten verkleinen het risico op elektrische schokken.
- **Vermijd lichamelijk contact met geaarde oppervlakken, zoals buizen, radiatoren, fornuizen en koelkasten.** Er is een verhoogd risico op elektrische schokken als uw lichaam geaard is.
- **Stel elektrische gereedschappen niet bloot aan regen of vochtige omstandigheden.** Water dat in elektrisch gereedschap binnendringt, verhoogt het risico op elektrische schokken.
- **Gebruik de kabel niet voor oneigenlijke doeleinden. Gebruik de kabel nooit om het elektrische apparaat te dragen, het mee te slepen of om de stekker uit het stopcontact te trekken. Houd de kabel uit de buurt van warmte, olie, scherpe randen en bewegende onderdelen.** Beschadigde of in de knoop geraakte kabels verhogen het risico op elektrische schokken.
- **Gebruik een verlengkabel die geschikt is voor gebruik buitenshuis wanneer u buiten werkt met elektrisch gereedschap.** Het gebruik van een kabel die geschikt is voor gebruik buitenshuis, vermindert het risico op elektrische schokken.
- **Als gebruik van een elektrisch apparaat in een vochtige omgeving onvermijdelijk is, gebruik dan een netvoeding met reststroombescherming (RCD).** Het gebruik van een aardlekschakelaar vermindert het risico op elektrische schokken.

### Persoonlijke veiligheid

- **Wees altijd alert, kijk wat u doet en gebruik uw gezonde verstand wanneer u elektrisch gereedschap gebruikt. Gebruik elektrisch gereedschap niet als u moe bent of onder invloed bent van drugs, alcohol of**

**medicijnen.** Een moment van onoplettendheid tijdens het gebruik van elektrische apparaat kan leiden tot ernstig persoonlijk letsel.

- **Maak altijd gebruik van persoonlijke beschermingsmiddelen. Draag altijd oogbescherming.** Beschermingsmiddelen zoals een stofmasker, veiligheidsschoenen met antislipprofiel, een veiligheidshelm of gehoorbescherming in relevante werkomstandigheden beperken letsel.
- **Voorkom een onbedoelde start. Zorg ervoor dat de schakelaar in de uit-positie staat voordat u het gereedschap aansluit op een spanningsbron en/of accu, oppakt of draagt.** Het dragen van elektrische apparaten met uw vinger op de schakelaar of het onder spanning zetten van elektrische apparaten waarvan de schakelaar op aan staat, kan makkelijk leiden tot ongelukken.
- **Verwijder eventuele (instel)sleutels voordat u het elektrisch gereedschap inschakelt.** Een sleutel die is bevestigd aan een draaiend onderdeel van het elektrische gereedschap kan persoonlijk letsel tot gevolg hebben.
- **Voorkom overstrekken. Zorg dat u te allen tijde stevig en in balans staat.** Hierdoor heeft u een betere controle over het apparaat in onverwachte situaties.
- **Draag geschikte kleding. Draag geen losse kleding of sieraden. Houd uw haar en kleding uit de buurt van bewegende onderdelen.** Losse kleding, sieraden of lang haar kunnen verstrikt raken in bewegende onderdelen.
- **Als de mogelijkheid bestaat voor het opvangen van stof moet u ervoor zorgen dat deze is aangesloten en op de juiste wijze wordt gebruikt.** Het gebruik van stofopvang kan stofgerelateerde gevaren beperken.
- **Laat de vertrouwdheid met de door u gebruikte apparaten door het frequente gebruik ervan niet toe leiden dat u de veiligheidsprincipes negeert.** Een onzorgvuldige handeling kan binnen een fractie van een seconde leiden tot ernstig letsel.
- De trillingsemissie tijdens het feitelijke gebruik van de machine kan afwijken van de opgegeven totaalwaarde en is afhankelijk van de manier waarop het gereedschap wordt gebruikt. Om zichzelf te beschermen, moeten gebruikers de nodige veiligheidsmaatregelen nemen op basis van een schatting van de blootstelling in de feitelijke gebruiksomstandigheden. Hierbij moet rekening worden gehouden met alle elementen van de bedrijfscyclus, dus niet alleen de tijd dat het gereedschap actief wordt gebruikt, maar ook de tijd dat het gereedschap is uitgeschakeld of stationair draait.

## Gebruik en verzorging van elektrische apparaten

- **Gebruik elektrische gereedschap niet voor taken waarvoor het niet geschikt is. Gebruik het juiste elektrische apparaat voor uw toepassing.** Met het juiste elektrische apparaat kunt u de taak beter en

veiliger uitvoeren met de snelheid waarvoor het is ontworpen.

- **Gebruik het elektrisch gereedschap niet als de aan/uitschakelaar niet werkt.** Elektrische apparaten die niet bediend kunnen worden met de schakelaar zijn gevaarlijk en moeten gerepareerd worden.
- **Haal de stekker uit het stopcontact en/of verwijder de accu van het elektrische gereedschap voordat u aanpassingen maakt, accessoires verwisselt of het elektrische gereedschap opbergt.** Deze voorzorgsmaatregelen verkleinen het risico op het per ongeluk starten van het elektrische apparaat.
- **Berg elektrisch gereedschap dat u niet nodig hebt op buiten het bereik van kinderen en laat personen die onbekend zijn met het elektrisch gereedschap of deze instructies niet werken met het elektrisch gereedschap.** Elektrische apparaten zijn gevaarlijk in handen van ongetrainde gebruikers.
- **Onderhoud elektrisch gereedschap goed. Controleer op onjuiste montage of vastlopen van bewegende delen, gebroken onderdelen en andere condities die de werking van het elektrische gereedschap kunnen beïnvloeden. Als het elektrische apparaat beschadigd is, moet u het laten repareren voordat u het gebruikt.** Veel ongelukken worden veroorzaakt door slecht onderhouden elektrische apparaten.
- **Houd snijgereedschappen scherp en schoon.** Goed onderhouden snijgereedschappen met scherpe snijranden zullen minder gauw vastlopen en zijn eenvoudiger onder controle te houden.
- **Gebruik het elektrisch gereedschap, de accessoires, gereedschapsbits en dergelijke in overeenstemming met deze instructies en houd hierbij rekening met de werkomstandigheden en het type krus dat moet worden uitgevoerd.** Als u het elektrische apparaat voor andere toepassingen gebruikt dan waarvoor het is bedoeld, kan er een gevaarlijke situatie ontstaan.
- **Houd de handgrepen en grijppoppervlakken droog, schoon en vrij van olie en vet.** Als handgrepen en grijppoppervlakken glad zijn, kan dit ervoor zorgen dat het gereedschap in onverwachte situaties niet veilig kan worden gehanteerd en bediend.

## Gebruik en onderhoud van gereedschap met accu

- **Laad het gereedschap alleen op met de lader die door de fabrikant is gespecificeerd.** Een lader die voor een bepaald type accu geschikt is, kan een risico op brand creëren als de lader met een andere accu wordt gebruikt.
- **Gebruik elektrisch gereedschap enkel met de specifiek hiervoor bedoelde accu.** Als er andere accupacks worden gebruikt, bestaat er risico op letsel en brand.
- **Als het accupack niet gebruikt wordt, houd hem dan uit de buurt van andere metalen voorwerpen, zoals paperclips, munten, sleutels, spijkers, schroeven of andere kleine metalen voorwerpen die een verbinding tussen de twee klemmen kunnen maken.**

Als er kortsluiting tussen de accuaansluitingen ontstaat, kunnen er brandwonden of brand ontstaan.

- **Als het accupack verkeerd wordt gebruikt, kan er vloeistof uit de accu komen; zorg dat u deze niet aanraakt. Als u per ongeluk in contact komt met de vloeistof, afspoelen met water. Als er vloeistof in de ogen komt dient u medische hulp in te roepen.** Vloeistof die uit accu's loopt, kan irritatie of brandwonden veroorzaken.
- **Gebruik geen accupack of product dat beschadigd of gewijzigd is.** Beschadigde of aangepaste accu's kunnen onvoorspelbaar gedrag vertonen, wat kan leiden tot brand, explosies of letsel.
- **Stel het accupack of product niet bloot aan vuur of hoge temperaturen.** Blootstelling aan vuur of temperaturen hoger dan 130 °C kan een explosie veroorzaken.
- **Volg alle oplaad instructies op en laad de accu of het product niet op bij temperaturen die buiten het in de instructies gespecificeerde bereik vallen.** Door onjuist opladen of opladen bij temperaturen die buiten het gespecificeerde bereik liggen, kan de accu beschadigd raken en neemt het risico op brand toe.

## Service

- **Laat uw elektrische apparaat repareren door een gekwalificeerde monteur en gebruik uitsluitend identieke vervangingsonderdelen.** Dit zorgt ervoor dat de veiligheid van het elektrisch gereedschap wordt gehandhaafd.
- **Voer nooit onderhoud uit aan beschadigde accupacks.** Onderhoud aan accupacks mag alleen worden uitgevoerd door de fabrikant of geautoriseerde dienstverleners.

## Veiligheidsinstructies voor heggenchaar

- **Houd alle lichaamsdelen uit de buurt van het mes. Verwijder geen snoeiafval en houd geen materiaal vast dat moet worden gesnoeid als de messen bewegen.** De messen blijven bewegen nadat de schakelaar is uitgeschakeld. Een moment van onoplettendheid tijdens het gebruik van de heggenchaar kan ernstig persoonlijk letsel tot gevolg hebben.
- **Draag de heggenchaar bij de handgreep met het mes uitgeschakeld en let erop dat u de schakelaars niet bedient.** Door de heggenchaar goed te dragen, verkleint u het risico op onbedoeld starten en persoonlijk letsel door de messen.
- **Als u de heggenchaar vervoert of opbergt, moet u altijd de beschermkap plaatsen.** Door op de juiste manier om te gaan met de heggenchaar, verkleint het risico op persoonlijk letsel door de messen.
- **Als u vastgelopen materiaal verwijdert of onderhoud aan het apparaat uitvoert, dient u ervoor te zorgen dat alle schakelaars zijn uitgeschakeld en dat de stroomkabel is losgekoppeld.** Indien de heggenchaar onverwacht wordt geactiveerd tijdens het verwijderen van vastgelopen materiaal of

onderhoud, kan dit leiden tot ernstig persoonlijk letsel.

- **Houd de heggenchaar alleen vast bij de geïsoleerde grijpoppervlakken, omdat het mes verborgen bedrading of het eigen snoer kan raken.** Als de messen een draad onder stroom raken, kunnen blootliggende draden de metalen onderdelen van de heggenchaar onder stroom zetten en kan de gebruiker een elektrische schok krijgen.
- **Houd alle netsnoeren en kabels uit de buurt van het snijgebied.** Netsnoeren en kabels kunnen verborgen raken in heggen en struiken en worden doorgesneden door het mes.
- **Gebruik de heggenchaar niet bij slechte weersomstandigheden, vooral wanneer er een risico op bliksem bestaat.** Dit vermindert het risico op geraakt worden door de bliksem.
- **Om het risico op elektrocutie te beperken, mag u de heggenchaar met groot bereik nooit in de buurt van elektriciteitskabels gebruiken.** Contact met of gebruik in de buurt van elektriciteitskabels kan ernstig letsel veroorzaken of een elektrische schok die de dood tot gevolg heeft.
- **Gebruik altijd twee handen bij het bedienen van de heggenchaar met groot bereik.** Houd de heggenchaar met groot bereik met beide handen vast om te voorkomen dat u de controle verliest.
- **Gebruik altijd hoofdbescherming wanneer u de heggenchaar met groot bereik boven uw hoofd bedient.** Vallend afval kan leiden tot ernstig lichamelijk letsel.

## Algemene veiligheidsinstructies



**WAARSCHUWING:** Lees de volgende waarschuwingen voordat u het product gaat gebruiken.

- Verwijder de accu om onbedoeld starten van de machine te voorkomen.
- Dit product kan bij onvoorzichtig of onjuist gebruik een gevaarlijk gereedschap zijn. Dit product kan ernstig of fataal letsel toebrengen aan de gebruiker of anderen.
- Gebruik het product niet als de oorspronkelijke specificatie is gewijzigd. Vervang geen onderdelen van het product zonder toestemming van de fabrikant. Gebruik alleen onderdelen die zijn goedgekeurd door de fabrikant. Onjuist onderhoud kan leiden tot letsel of de dood.
- Controleer het product vóór gebruik. Zie *Veiligheidsvoorzieningen op het product op pagina 134 en Onderhoud op pagina 139*. Gebruik nooit een defect product. Voer de in deze handleiding beschreven veiligheidscontroles en de onderhouds- en service-instructies uit.
- Kinderen moeten onder toezicht worden gehouden om er zeker van te zijn dat ze niet met het product spelen. Laat het product nooit gebruiken door kinderen of andere personen die niet zijn opgeleid

voor het gebruik of onderhoud van het product en/of de accu. De minimumleeftijd van de gebruiker kan zijn vastgelegd in plaatselijke voorschriften.

- Bewaar het product in een afgesloten ruimte om toegang door kinderen of onbevoegde personen te verhinderen.
- Bewaar het product buiten het bereik van kinderen.
- De oorspronkelijke vormgeving van het product mag in geen enkel geval worden gewijzigd zonder toestemming van de fabrikant. Gebruik altijd originele accessoires. Niet goedgekeurde wijzigingen en/of niet-originele onderdelen kunnen tot ernstig persoonlijk letsel of de dood van zowel gebruiker als omstanders leiden.

---

**Let op:** Landelijke of lokale wettelijke voorschriften kunnen van toepassing zijn op het gebruik. Volg de eventuele voorschriften op.

---

## Veiligheidsinstructies voor bediening

---



**WAARSCHUWING:** Lees de volgende waarschuwingen voordat u het product gaat gebruiken.

---

- Wanneer u in een situatie belandt waarin u niet goed weet hoe u verder te werk moet gaan, moet u een expert raadplegen. Wend u tot uw dealer of uw servicewerkplaats. Gebruik de machine nooit voor taken waarvoor u niet voldoende gekwalificeerd bent.
- Gebruik het product nooit wanneer u vermoeid bent, alcohol of drugs hebt gebruikt, of als u medicijnen gebruikt die uw gezichtsvermogen, beoordelingsvermogen of coördinatie kunnen beïnvloeden.
- Werken in slechte weersomstandigheden is vermoeiend en kan tot extra gevaarlijke situaties leiden. Het is in verband met het extra gevaar niet aanbevolen om de machine te gebruiken bij zeer slecht weer, bijvoorbeeld dichte mist, zware regen, sterke wind, intense koude of bij risico op bliksem, etc.
- Het gebruik van defecte snijuitrustingen kan het risico op ongevallen vergroten.
- Sta niet toe dat kinderen het product gebruiken of in de buurt van het product komen. Het product start gemakkelijk, zodat kinderen deze mogelijk kunnen starten wanneer ze niet onder volledig toezicht staan. In dat geval kan er een risico op ernstig persoonlijk letsel bestaan. Koppel de accu los wanneer het product niet onder streng toezicht staat.
- Zorg ervoor dat er zich geen personen of dieren op een afstand kleiner dan 15 meter bevinden terwijl u werkt. Indien meerdere gebruikers in hetzelfde gebied werken, moet de veiligheidsafstand minimaal 15 meter bedragen. Anders is er een risico op ernstig persoonlijk letsel. Schakel het product onmiddellijk uit indien iemand dichterbij komt. Draai

het product nooit rond zonder eerst te controleren of er achter u niet iemand zich in de veiligheidszone bevindt.

- Zorg ervoor dat mensen, dieren of andere dingen geen invloed hebben op uw controle over het product en dat ze niet in contact komen met de snijuitrusting of losse objecten die worden uitgeworpen door de snijuitrusting. Gebruik het product echter nooit zonder de mogelijkheid hulp in te kunnen roepen in geval van nood.
- Controleer altijd het werkgebied. Verwijder alle losse voorwerpen, zoals stenen, gebroken glas, spijkers, staaldraad, touw en dergelijke, die weggeslingerd kunnen worden of vast kunnen komen zitten in de snijuitrusting.
- Zorg ervoor dat u veilig kunt gaan en staan. Controleer of er eventuele hindernissen zijn als u onverwacht snel moet kunnen wegkomen (wortels, stenen, takken, kuilen, greppels enz.). Wees extra voorzichtig wanneer u op hellend terrein werkt.
- Zorg steeds voor een goede balans en een stabiele houding. Voorkom overstrekken.
- Schakel het product uit wanneer u zich verplaatst. Bevestig de transportbescherming als het product niet wordt gebruikt.
- Leg het product nooit neer zonder het uit te schakelen. Laat het product nooit onbeheerd achter terwijl het ingeschakeld is.
- Verwijder de accu voordat u het product aan een andere persoon overdraagt.
- Zorg ervoor dat kleding of lichaamsdelen niet in contact komen met de snijuitrusting wanneer het product is ingeschakeld.
- Als er iets in de snijuitrusting vast komt te zitten terwijl u het product bedient, moet u het product stoppen en uitschakelen. Zorg ervoor dat de snijuitrusting volledig tot stilstand komt. Verwijder de accu voordat u het product en/of de snijuitrusting schoonmaakt, inspecteert of repareert.
- Houd uw handen en voeten uit de buurt van de snijuitrusting totdat deze volledig is gestopt wanneer het product is uitgeschakeld.
- Wees alert op stukken tak die tijdens het snijden weggeslingerd kunnen worden. Snijd niet te dicht bij de grond waar stenen en andere voorwerpen kunnen worden weggeslingerd.
- Kijk uit voor wegschietende objecten. Gebruik altijd goedgekeurde oogbescherming. Leun nooit over de beschermkap van de snijuitrusting. Stenen, afval, enz. kunnen omhoog schieten in uw ogen en blindheid of ernstig letsel veroorzaken.
- Let als u gehoorbescherming draagt op waarschuwingssignalen of geschreeuw. Doe uw gehoorbescherming altijd af zodra het product is gestopt.
- Werk nooit op een ladder, stoel of andere verhoging die niet stevig vast staat.
- Deze machine produceert tijdens bedrijf een elektromagnetisch veld. Dit veld kan onder bepaalde

omstandigheden de werking van actieve of passieve medische implantaten verstoren. Om het risico op ernstig of dodelijk letsel te beperken, raden we personen met een medisch implantaat aan om contact op te nemen met hun arts en de fabrikant van het medische implantaat voordat ze deze machine gaan bedienen.

- Houd het product altijd met twee handen vast. Houd het apparaat rechts van uw lichaam.
- Stop het product altijd, verwijder de accu en zorg ervoor dat de snijuitrusting niet kan draaien alvorens materiaal te verwijderen dat rond de bladas is gewikkeld of vastzit tussen de beschermkap en de snijuitrusting.
- Het elektromagnetische veld tijdens bedrijf kan de werking van actieve of passieve medische implantaten verstoren. Mensen met medische implantaten dienen met hun arts en de fabrikant van het medische implantaat te overleggen vóór zij dit product gebruiken.
- Draag het gewicht van het product met behulp van een draagstel voor bedieningsgemak.
- Langdurige blootstelling aan lawaai kan leiden tot permanente gehoorbeschadiging. Husqvarna raadt gebruikers aan om goedgekeurde gehoorbescherming te gebruiken.
- Gebruik nooit een product dat zo gewijzigd is dat het niet langer overeenkomt met de originele uitvoering.
- Gebruik nooit een machine die defect is. Voer de in deze handleiding beschreven veiligheidscontroles en de onderhouds- en service-instructies uit. Bepaalde onderhouds- en servicemaatregelen moeten door opgeleide en gekwalificeerde specialisten worden uitgevoerd. Zie de instructies in het hoofdstuk Onderhoud.
- Voer voor gebruik een algemene inspectie van het product uit. Zie het onderhoudsschema.
- Laat nooit iemand anders de machine gebruiken zonder dat u zeker weet dat hij of zij de gebruikershandleiding heeft gelezen en begrepen.
- Controleer het werkgebied op vreemde voorwerpen, zoals elektriciteitskabels, dieren etc. of andere voorwerpen die de zaaguitrusting kunnen beschadigen, zoals metalen voorwerpen.
- Defecte snijbladen kunnen het risico op ongevallen vergroten.

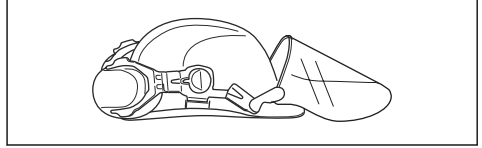
## Persoonlijke beschermingsuitrusting



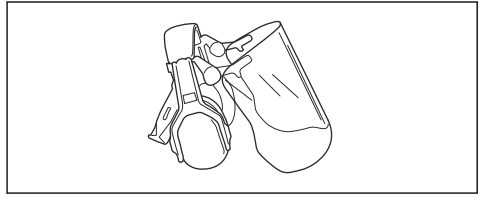
**WAARSCHUWING:** Lees de volgende waarschuwingen voordat u het product gaat gebruiken.

- Draag tijdens het gebruik van het product altijd goedgekeurde persoonlijke beschermingsuitrusting. Persoonlijke beschermingsuitrusting kunnen niet alle risico's uitsluiten maar kunnen de ernst van eventueel letsel helpen beperken. Vraag uw dealer u te helpen bij het kiezen van de juiste beschermingsmiddelen.

- Gebruik een veiligheidshelm bij kans op vallende voorwerpen.



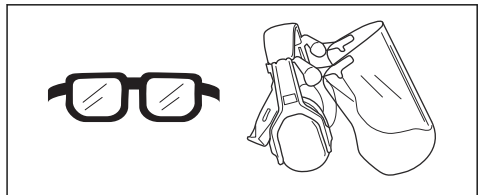
- Langdurige blootstelling aan lawaai kan leiden tot permanente gehoorbeschadiging. Over het algemeen zijn accu-aangedreven producten relatief stil, maar schade kan voortvloeien uit een combinatie van geluidsniveau en lang gebruik. Husqvarna raadt aan dat gebruikers gebruik maken van gehoorbescherming wanneer producten gedurende een groot deel van de dag worden gebruikt. Bij continu en regelmatig gebruik dienen gebruikers hun gehoor regelmatig te laten controleren.



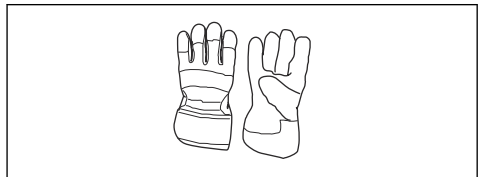
## WAARSCHUWING:

Gehoorbescherming beperkt de mogelijkheid om geluiden en waarschuwingssignalen te horen.

- Gebruik goedgekeurde oogbescherming. Als u een vizier gebruikt, moet u ook een goedgekeurde veiligheidsbril gebruiken. Een goedgekeurde veiligheidsbril moet voldoen aan de norm ANSI Z87.1 voor de VS of EN 166 voor de EU-landen.



- Draag zo nodig handschoenen, bijvoorbeeld bij het monteren, inspecteren of reinigen van de snijuitrusting.



- Gebruik kleding van stevige stof. Gebruik altijd een zware lange broek en lange mouwen. Gebruik geen loszittende kleding die gemakkelijk kan blijven haken aan takjes en struikgewas. Draag geen sieraden, korte broek of sandalen of loop niet op blote voeten. Bind voor de veiligheid lang haar samen tot boven schouderhoogte.
- Houd een EHBO-doois binnen handbereik.



## Veiligheidsvoorzieningen op het product



**WAARSCHUWING:** Lees de volgende waarschuwingen voordat u het product gaat gebruiken.

In dit hoofdstuk worden de veiligheidsvoorzieningen van het product beschreven, welke functie ze hebben en hoe controles en onderhoud moeten worden uitgevoerd om hun goede werking te waarborgen. Zie de instructies onder het kopje *Productoverzicht op pagina 127* om te zien waar deze onderdelen zich bevinden op uw product.

De levensduur van het product kan worden verkort en het risico op ongevallen kan toenemen wanneer het onderhoud van het product niet op de juiste manier plaatsvindt en wanneer service en/of reparaties niet vakkundig worden uitgevoerd. Indien u meer informatie nodig hebt, verzoeken wij u contact op te nemen met de dichtstbijzijnde onderhoudsdealer.



**WAARSCHUWING:** Gebruik een product nooit wanneer de veiligheidsvoorzieningen defect zijn. De veiligheidsuitrusting van het product moet geïnspecteerd en onderhouden worden zoals beschreven in dit hoofdstuk. Als uw product een van deze controles niet doorstaat, moet u contact opnemen met uw servicewerkplaats om uw unit te laten repareren.

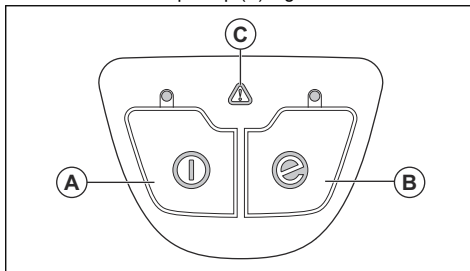


**OPGELET:** Om service en reparaties aan de machine uit te voeren, moet u een speciale opleiding hebben. Dit geldt met name voor de veiligheidsuitrusting van de machine. Als de machine één van de volgende controles niet goed doorstaat, moet u ermee naar uw servicewerkplaats gaan. Als u één van onze producten koopt, garandeert dit dat de reparaties en service door een vakman kunnen worden uitgevoerd. Als u uw machine heeft gekocht bij één van onze dealers die geen

servicewerkplaats heeft, vraag hem dan waar de dichtstbijzijnde erkende werkplaats is.

## Toetsenbord controleren

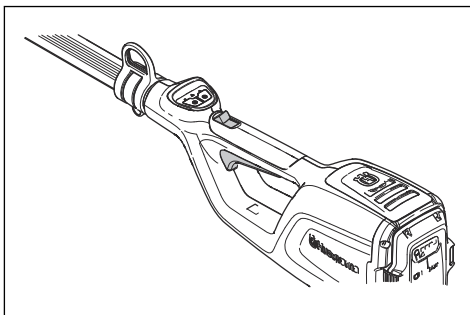
1. Houd de start/stop-knop (A) ingedrukt.



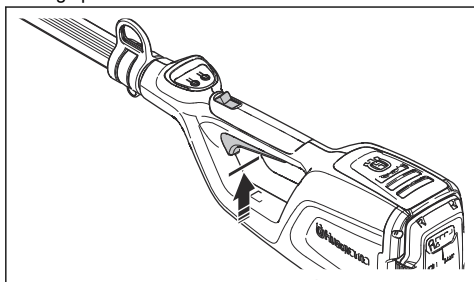
- a) Het product is ingeschakeld wanneer de led brandt.
  - b) Het product is uitgeschakeld wanneer de led uit is.
2. Zie *De functie SavE starten op pagina 138* voor de functie van de SavE-knop (B).
  3. Raadpleeg *Probleemoplossing op pagina 140* als het waarschuwingslampje (C) brandt of knippert.

## De vergrendeling van de activeringsschakelaar controleren

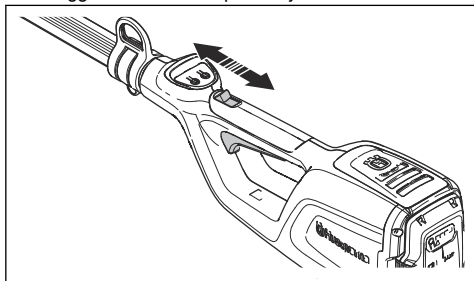
De vergrendeling van de activeringsschakelaar voorkomt dat het product per ongeluk wordt ingeschakeld. Als u de handgreep loslaat, bewegen de activeringsschakelaar en de vergrendeling weer terug naar hun beginpositie.



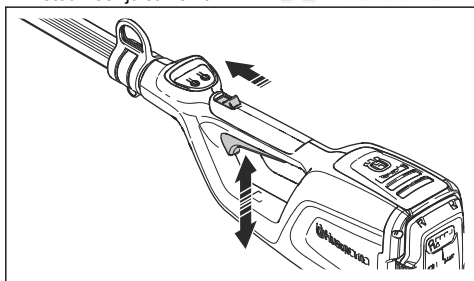
1. Controleer of de activeringsschakelaar is vergrendeld wanneer de vergrendeling in de beginpositie staat.



2. Trek kort aan de vergrendeling en zorg ervoor dat hij teruggaat naar de oorspronkelijk stand.



3. Zorg ervoor dat de activeringsschakelaar en de vergrendeling vrij kunnen bewegen en dat de retourveer juist werkt.



4. Start het product, zie *Product starten op pagina 138*.
5. Geef volgas.
6. Laat de activeringsschakelaar los en zorg ervoor dat de snijtrusting volledig stopt.

### Veiligheid bij accu's



**WAARSCHUWING:** Lees de volgende waarschuwingen voordat u het product gaat gebruiken.

- De aanbevolen accu is BLi10. Zie *Technische gegevens op pagina 142*. De accu is via software versleuteld.

- Gebruik de BLi10-accu die oplaadbaar is uitsluitend als een voedingsbron voor de bijbehorende producten van Husqvarna. Gebruik de accu niet als voedingsbron voor andere apparaten, om letsel te voorkomen.
- Risico van elektrische schok. Breng de accuklemmen niet in contact met sleutels, munten, schroeven of ander metaal. Dit kan kortsluiting van de accu veroorzaken.
- Gebruik geen niet-oplaadbare accu's.
- Plaats geen voorwerpen in de luchtspleten van de accu.
- Bescherm de accu tegen direct zonlicht, warmte of open vuur. De accu kan brandwonden en/of chemische brandwonden veroorzaken.
- Bescherm de accu tegen regen en vocht.
- Houd de accu uit de buurt van magnetrons en hoge druk.
- Probeer de accu niet te demonteren of te slopen.
- Als er een accu lekt, zorg er dan voor dat de vloeistof niet in aanraking komt met uw huid of ogen. Als u in aanraking bent gekomen met de vloeistof, reinig het oppervlak dan met een ruime hoeveelheid water en zeep en raadpleeg een arts. Wrijf niet in uw ogen wanneer u vloeistof in uw ogen krijgt, maar spoel uw ogen minstens 15 minuten met water en raadpleeg een arts.
- Gebruik de accu bij temperaturen tussen -10 °C (14 °F) en 40 °C (114 °F).
- Reinig de accu of acculader nooit met water. Zie *Product, accu en acculader reinigen op pagina 140*.
- Gebruik geen defecte of beschadigde accu.
- Sla accu's op uit de buurt van metalen voorwerpen, bijvoorbeeld spijkers, schroeven en sieraden.
- Houd de accu buiten het bereik van kinderen.

### Veiligheidsvoorschriften voor acculader



**WAARSCHUWING:** Lees de volgende waarschuwingen voordat u het product gaat gebruiken.

- Risico van elektrische schok of kortsluiting wanneer de veiligheidsinstructies niet worden opgevolgd.
- Gebruik geen andere acculader dan die bij uw product is geleverd. De aanbevolen lader voor het opladen van de BLi10-accu is QC80.
- Probeer de acculader niet te demonteren.
- Gebruik geen defecte of beschadigde acculader.
- Til de acculader niet op aan de voedingskabel. Trek aan de stekker om de acculader uit de wandcontactdoos te halen. Trek niet aan de voedingskabel.
- Houd alle kabels en verlengsnoeren uit de buurt van water, olie en scherpe kanten. Let op dat de kabel niet bekneld raakt tussen objecten zoals deuren, hekken en dergelijke.

- Gebruik de acculader niet in de buurt van brandbare materialen of materialen die corrosie kunnen veroorzaken. Controleer of de acculader niet is afgedekt. Haal de stekker van de acculader uit de wandcontactdoos bij rookontwikkeling of brand.
- De accu mag alleen binnenshuis worden opgeladen op een plek met voldoende ventilatie en zonder direct zonlicht. Laad de accu niet buiten op. Laad de accu niet op in vochtige omstandigheden.
- Gebruik de acculader alleen op plekken met een temperatuur tussen 5 °C (41 °F) en 40 °C (104 °F). Gebruik de lader in een omgeving die goed geventileerd, droog en stofvrij is.
- Plaats geen voorwerpen in de koelspleten van de acculader.
- Verbind de contacten van de acculader niet met metalen objecten, omdat dit kortsluiting in de acculader kan veroorzaken.
- Gebruik goedgekeurde stopcontacten die niet beschadigd zijn. Controleer of de kabel van de acculader niet beschadigd is. Als er verlengkabels worden gebruikt, zorg er dan voor dat deze niet beschadigd zijn.
- Verwijder de accu voordat u onderhoud of andere controles uitvoert, of het product demonteert.
- De gebruiker mag alleen de onderhouds- en servicewerkzaamheden uitvoeren die in deze bedieningshandleiding zijn beschreven. Ga naar uw servicedealer voor verdergaande service- of onderhoudswerkzaamheden.
- Reinig de accu of acculader nooit met water. Sterke reinigingsmiddelen kunnen schade aan het kunststof veroorzaken.
- Als u geen onderhoud uitvoert, verkort dit de levenscyclus van het product en vergroot het risico op ongevallen.
- Voor alle service en reparaties is speciale training vereist, vooral voor de veiligheidsvoorzieningen op het product. Als niet alle controles in deze bedieningshandleiding een goed resultaat geven nadat u onderhoud hebt uitgevoerd, ga dan naar uw servicedealer. Wij garanderen dat u daar professionele reparaties en service voor uw product krijgt.
- Houd de snijtanden van het blad juist geslepen. Volg onze aanbevelingen op. Zie ook de instructies op de verpakking van de snijbladen.
- Gebruik alleen originele reserveonderdelen.
- Draag altijd handschoenen voor zwaar gebruik wanneer u de snijuitrusting repareert. De snijbladen zijn zeer scherp en kunnen gemakkelijk snijwonden veroorzaken.

## Veiligheidsinstructies voor onderhoud



**WAARSCHUWING:** Lees de volgende waarschuwingen voordat u onderhoud aan het product gaat uitvoeren.

## Montage

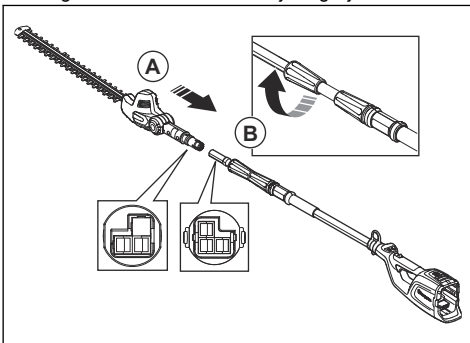
### Inleiding



**WAARSCHUWING:** Zorg dat u het hoofdstuk over veiligheid hebt gelezen en begrepen voordat u het apparaat monteert.

### De steel monteren

1. Zorg ervoor dat de stekkers zijn uitgelijnd.

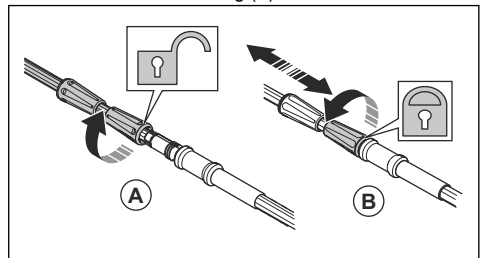


2. Sluit de uiteinden van de as (A) volledig aan.

3. Draai de schroefhandgreep vast aan de zijde van de kop van heggenschaar van de as (B).

### De lengte van steel aanpassen

1. Draai de schroefhandgreep los aan de zijde van de as met de accubehuizing (A).



2. Stel de as af op de gewenste lengte.
3. Draai de schroefhandgreep (B) vast.

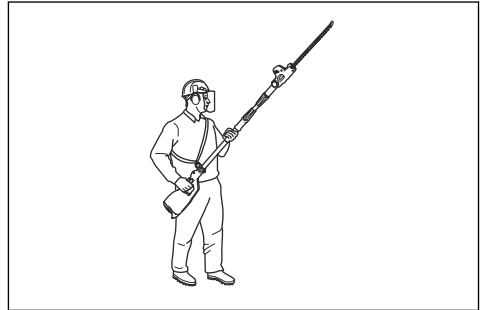
### Draagstel afstellen

Gebruik altijd het draagstel wanneer u het product gebruikt. Het draagstel biedt maximale controle tijdens de bediening van het product. Het draagstel vermindert het risico op vermoeidheid in uw armen en rug.



1. Doe het draagstel om.
2. Bevestig het product aan de ophanghaak van het draagstel.

3. Stel de lengte van het draagstel zo af dat de ophanghaak ongeveer ter hoogte van uw rechterheup hangt.



## Werking

### Inleiding



**WAARSCHUWING:** Zorg dat u het hoofdstuk over veiligheid hebt gelezen en begrepen voordat u het product gebruikt.

### Voordat u het product inschakelt

1. Onderzoek het werkgebied. Verwijder voorwerpen die weggeslingerd kunnen worden.
2. Controleer de snijuitrusting. Controleer of de snijbladen scherp zijn, geen scheuren vertonen en niet beschadigd zijn.
3. Controleer of het product correct werkt. Controleer of alle moeren en schroeven goed zijn vastgedraaid.
4. Controleer of de hendel en de veiligheidsvoorzieningen niet beschadigd zijn en goed zijn bevestigd. Gebruik geen product met ontbrekende onderdelen of dat is veranderd ten opzichte van de oorspronkelijke specificatie. Gebruik indien nodig veiligheidshandschoenen.
5. Controleer of de afdekkingen niet beschadigd zijn en goed vastzitten, voordat u het product bedient.

### Aansluiten van acculader

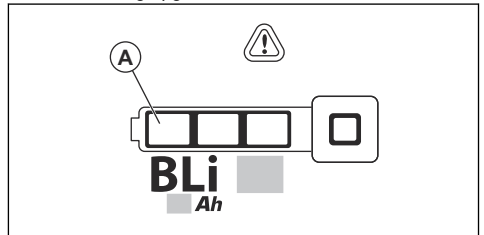
1. Sluit de acculader alleen aan als de spanning en frequentie overeenkomen met de specificaties op het productplaatje.
2. Steek de stekker in een geaard stopcontact. De LED op de acculader licht eenmaal groen op.

**Let op:** De accu wordt niet opgeladen als de accutemperatuur hoger is dan 50 °C/122 °F. Als de temperatuur hoger is dan 50 °C/122 °F, zal de acculader de accu afkoelen voordat de accu wordt opgeladen.

### De accu aansluiten op de acculader

**Let op:** Laad de accu op als u deze voor de eerste keer gebruikt. Een nieuwe accu is slechts 30% opgeladen.

1. Zorg ervoor dat de accu droog is.
2. Sluit de accu aan op de acculader.
3. Zorg ervoor dat het groene laadlampje op de acculader gaat branden. Dat betekent dat de accu goed is aangesloten op de acculader.
4. Wanneer alle leds (A) op de accu branden, is de accu volledig opgeladen.



5. Trek aan de stekker om de acculader uit de wandcontactdoos te halen. Trek niet aan de kabel.
6. Haal de accu uit de acculader.

**Let op:** Raadpleeg de handleidingen van de accu en de acculader voor meer informatie.

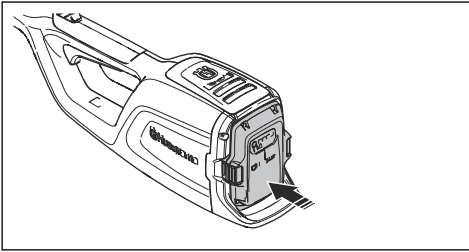
### De accu aansluiten op het product



**WAARSCHUWING:** Gebruik uitsluitend originele Husqvarna-accu's in het product.

1. Zorg ervoor dat de accu volledig is opgeladen.

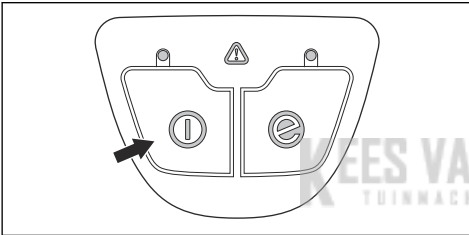
- Plaats de accu in de accuhouder van het product. De accu moet eenvoudig in de houder passen. Als dat niet zo is, dan is de accu niet goed aangebracht.



- Druk tegen het onderste deel van de accu en druk deze volledig in de accuhouder. De accu is in positie vergrendeld als u een klik hoort.
- Zorg ervoor dat de vergrendelingen goed op hun plaats vastklikken.

## Product starten

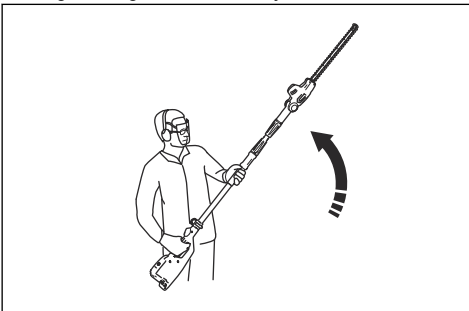
- Houd de start-/stopknop ingedrukt totdat de groene led gaat branden.



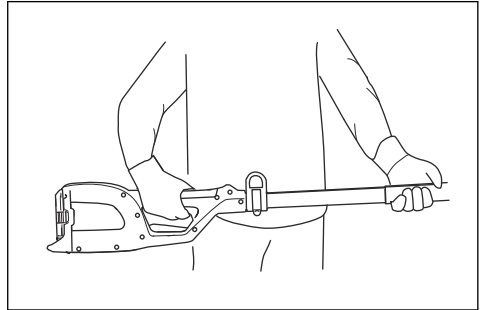
- Trek de vergrendeling van de activeringsschakelaar naar achteren en houd de activeringsschakelaar vast.

## Het product gebruiken

- Begin bij de grond en beweeg het product omhoog langs de heg wanneer u de zijanten snoeit.



- Houd het product dicht bij uw lichaam voor een stabiele werkhouding.

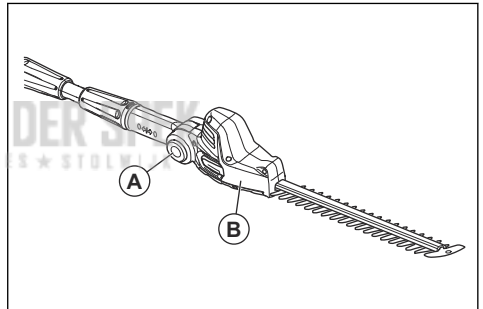


- Zorg ervoor dat het uiteinde van de snijuitrusting de grond niet raakt.
- Wees voorzichtig en werk langzaam totdat alle takken correct zijn gesneden.

## De hoek van de snijuitrusting aanpassen

De snijuitrusting is in 7 verschillende stappen verstelbaar.

- Stop de motor en verwijder de accu.

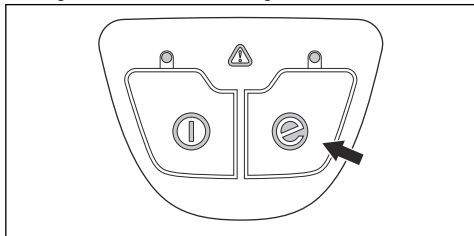


- Houd de behuizing (B) stevig vast.
- Houd de vergrendelknoppen (A) aan de 2 zijden van de behuizing (B) ingedrukt.
- Verplaats de snijuitrusting naar de juiste hoek.
- Laat de vergrendelknoppen (A) aan de 2 zijden los.
- Beweeg de behuizing (B) omhoog en omlaag totdat de snijuitrusting op zijn plaats vergrendelt.

## De functie SavE starten

Het product heeft een SavE-functie. De functie SavE zorgt voor de langste bedrijfstijd van de accu.

1. Druk op de knop SavE. De led gaat branden om aan te geven dat de functie is ingeschakeld.



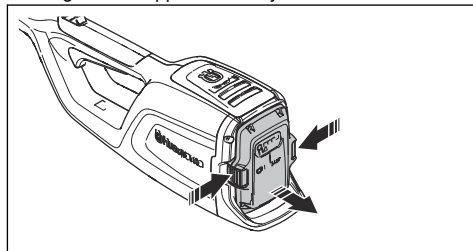
2. Druk nogmaals op de knop SavE om de functie uit te schakelen.

### Automatische uitschakelfunctie

Het product heeft een automatische uitschakelfunctie die het product stopt als het niet wordt gebruikt. De groene led voor start/stop-indicatie gaat uit en het product stopt na 60 seconden.

### Product stoppen

1. Laat de activeringsschakelaar los.
2. Houd de start-/stopknop ingedrukt totdat de groene led uit gaat.
3. Verwijder de accu uit het product. Druk op de twee ontgrendelknoppen en verwijder de accu.



## Onderhoud

### Inleiding



**WAARSCHUWING:** Zorg dat u het hoofdstuk over veiligheid hebt gelezen en begrepen voordat u onderhoudswerkzaamheden aan het product gaat uitvoeren.



**WAARSCHUWING:** Verwijder de accu voordat u onderhoud aan het product uitvoert.

### Onderhoudsschema

Hieronder volgt een lijst van het onderhoud dat u aan het product moet uitvoeren.

Onderhoud	Vóór gebruik	Wekelijks	Maandelijks
Reinig de externe onderdelen van het product.	X		
Controleer of de start/stop-schakelaar correct werkt en niet beschadigd is.	X		
Controleer of de voedingsschakelaar en de vergrendeling van de voedingsschakelaar correct werken vanuit veiligheidsoogpunt.	X		
Controleer of alle bedieningselementen werken en niet zijn beschadigd.	X		
Controleer of het snijblad en de beschermkap geen scheuren vertonen en niet beschadigd zijn. Vervang het snijblad of de beschermkap als deze scheuren vertonen of aan slagbelasting zijn blootgesteld.	X		
Vervang het blad als dit verbogen of beschadigd is.	X		
Controleer of de schroeven en moeren goed zijn vastgedraaid.	X		
Controleer of de accu niet beschadigd is.	X		
Zorg ervoor dat de accu is opgeladen.	X		
Controleer of de acculader niet beschadigd is.	X		

Onderhoud	Vóór gebruik	Wekelijks	Maandelijks
Controleer of de schroeven die de snijbladen bijeenhouden goed vastzitten.		X	
Controleer de verbindingen tussen de accu en het product. Controleer de verbinding tussen de accu en de acculader.			X

## Accu en acculader controleren

1. Controleer de accu op beschadigingen, bijvoorbeeld scheuren.
2. Controleer de acculader op beschadigingen, bijvoorbeeld scheuren.
3. Controleer of de aansluitkabel van de acculader niet beschadigd of gescheurd is.

## Product, accu en acculader reinigen

1. Reinig het product met een droge doek na gebruik.
2. Reinig de accu en acculader met een droge doek. Houd de accugeleiderails schoon.
3. Zorg ervoor dat de aansluitingen van de accu en de acculader schoon zijn voor dat de accu in de acculader of het product wordt geplaatst.

## Het snijblad inspecteren

1. Verwijder ongewenste materialen van de snijbladen met een corrosieremmend reinigingsmiddel voor en nadat u het product gebruikt.
2. Controleer de randen van het snijblad op beschadigingen en vervorming.
3. Gebruik een vijl om bramen op het snijblad te verwijderen.

4. Controleer of de snijbladen vrij draaien.

## De messen reinigen en smeren

1. Verwijder ongewenste materialen van de bladen voor en nadat u het product gebruikt.
2. Smeer de bladen voorafgaand aan langdurige opslag.

**Let op:** Neem voor meer informatie over aanbevolen reinigings- en smeermiddelen contact op met uw servicedealer.

## Het tandwiel smeren

Breng vet aan in het tandwielhuis als het tandwiel is gedemonteerd door een erkende servicedealer.

- Gebruik Husqvarna speciaalvet. Neem voor meer informatie over aanbevolen vet contact op met uw servicedealer.
- Gebruik slechts een kleine hoeveelheid speciaal hoogwaardig vet.



**OPGELET:** Vul het tandwielhuis niet volledig.

## Probleemoplossing

### Toetsenbord

LED-scherm	Mogelijke fouten	Mogelijke oplossingen
De fout-led knippert.	Overbelasting	De snijuitrusting kan niet vrij bewegen. Haal de snijuitrusting los.
Het product start niet.	Er zit vuil in de aansluitingen van de accu.	Reinig de accu-aansluitingen met perslucht of een zachte borstel.
De fout-led licht rood op.	Het product moet worden onderhouden	Neem contact op met uw servicedealer.

## Accu

Led-display	Mogelijke fouten	Mogelijke actie
De groene led knippert.	Lage accuspanning.	Laad de accu op.

Led-display	Mogelijke fouten	Mogelijke actie
De fout-led knippert.	Temperatuurafwijking.	Gebruik de accu bij temperaturen tussen -10°C (14°F) en 40°C (104°F).
	Spanning te hoog.	Controleer of de netspanning overeenkomt met de spanning die is aangegeven op het typeplaatje op het product. Haal de accu uit de acculader.
De fout-led brandt.	Celverschil te groot (1 V).	Neem contact op met uw servicedealer.

## Acculader

Probleem	Mogelijke fouten	Mogelijke oplossing
Rode fout-led knippert.	Temperatuurafwijking.	Gebruik de acculader bij temperaturen tussen 5 °C (41 °F) en 40 °C (104 °F).
Rode fout-led gaat branden.	Celverschil te groot (1 V).	Neem contact op met uw servicedealer.

## Vervoer, opslag en verwerking

### Transport en opslag

- De meegeleverde Li-ion-accu's voldoen aan de wettelijke vereisten voor gevaarlijke goederen.
- Neem de bijzondere voorschriften op de verpakking en labels voor commercieel transport in acht. Dit geldt ook voor derden en expediteurs.
- Neem contact op met een persoon die gespecialiseerd is op het gebied van gevaarlijke stoffen voordat u het product verzendt. Neem alle van toepassing zijnde nationale voorschriften in acht.
- Breng tape aan op blootliggende aansluitingen wanneer u de accu in een pakket plaatst. Plaats de accu strak in het pakket om beweging te voorkomen.
- Verwijder de accu bij opslag of vervoer.
- Plaats de accu en de acculader in een droge, vocht- en vorstvrije ruimte.
- Bewaar de accu niet op plaatsen waar statische elektriciteit aanwezig is. Bewaar de accu niet in een metalen doos.
- Bewaar de accu op een plaats met een temperatuur tussen 5 °C en 25 °C en niet in direct zonlicht.
- Bewaar de acculader op een plaats met een temperatuur tussen 5 °C en 45 °C en niet in direct zonlicht.
- Gebruik de acculader alleen als de omgevingstemperatuur tussen 5 °C en 40 °C ligt.
- Laad de accu op tussen de 30% en 50% voorafgaand aan langdurige opslag.
- Berg de acculader op in een ruimte die afgesloten en droog is.
- Bewaar de accu niet in de buurt van de acculader. Laat kinderen en andere onbevoegde personen niet aan de apparatuur komen. Bewaar de apparatuur in een ruimte die u kunt afsluiten.
- Reinig het product en voer een volledige onderhoudsbeurt uit voordat u het product voor langere tijd opslaat.
- Gebruik de transportbescherming op het product om letsel bij personen of schade aan het product tijdens vervoer en opslag te voorkomen.
- Bevestig het product stevig tijdens vervoer.

### Accu, acculader en product afvoeren

Symbolen op het product of op de verpakking van het product geven aan dat dit product geen huishoudelijk afval is. Lever het in bij een recyclepunt voor elektrische en elektronische apparatuur. Dit voorkomt vervuiling van het milieu en letsel bij personen.

Neem contact op met uw lokale autoriteiten, afvalverwerkingsbedrijf of dealer voor meer informatie over het recyclen van uw product.

## Technische gegevens

### Technische gegevens

	<b>120ITK4-H</b>
<b>Motor</b>	
Motortype	PMDC 36V
<b>Gewicht</b>	
Gewicht zonder accu, kg	4,6
Gewicht met accu (standaardaccu BLi10), kg	5,3
<b>Geluidsemissies<sup>22</sup></b>	
Geluidsvermogeniveau, gemeten dB(A)	91,32
Geluidsvermogeniveau, gegarandeerd $L_{WA}$ dB(A)	94
<b>Geluidsniveau<sup>23</sup></b>	
Geluidsdruk niveau op oorhoogte van de gebruiker, gemeten in overeenstemming met EN 62841-1 en EN 62841-4-2, dB(A)	81,3
<b>Trillingsniveau<sup>24</sup></b>	
Trillingsniveaus ( $a_n$ ), bij hendels voor/achter, $m/s^2$ . Zie EN 62841-1 en EN 62841-4-2.	1,223/0,816
<b>Snijuitrusting</b>	
Type	Dubbelzijdig
Bladlengte, mm	500
Snij snelheid, sneden/min in de SavE-modus	2250
Snij snelheid, sneden/min niet in de SavE-modus	2800

<sup>22</sup> Geluidsemissie naar de omgeving gemeten als geluidsvermogen ( $L_{WA}$ ) volgens EG-richtlijn 2000/14/EG. Het verschil tussen gegarandeerd en gemeten geluidsvermogen is dat het gegarandeerde geluidsvermogen ook spreiding in het meetresultaat omvat en de verschillen tussen de verschillende machines van hetzelfde model conform Richtlijn 2000/14/EG.

<sup>23</sup> Typische statistische spreiding voor een vergelijkbaar geluidsdruk niveau is een standaardafwijking van 3 dB(A).

<sup>24</sup> De gerapporteerde gegevens voor een trillingsniveau vertonen een typische statistische spreiding (standaardafwijking) van 1,5  $m/s^2$ .

De opgegeven totale trillingswaarde is gemeten overeenkomstig een standaardtestmethode en kan worden gebruikt om gereedschappen onderling te vergelijken.

De opgegeven totale trillingswaarde kan ook worden gebruikt voor een voorlopige beoordeling van de blootstelling.

## Goedgekeurde acculaders

Acculader	QC80
Ingangsspanning, V	100-240
Frequentie, Hz	50-60
Vermogen, W	100
Uitgangsspanning, V DC/A	36/2

## Goedgekeurde accu's voor het product

Accu	BLi10
Type	Lithium-ion
Accucapaciteit, Ah	Raadpleeg het plaatje met de accugegevens
Nominale spanning, V	36
Gewicht, kg	0,7

**KEES VAN DER SPEK**  
TUINMACHINES ★ STOLWIJK

---

## EG verklaring van overeenstemming

---

### EG verklaring van overeenstemming

Husqvarna AB, SE-561 82 Huskvarna, Zweden, tel.: +46-36-146500, verklaart dat de stokheggenscharen **Husqvarna 120ITK4-H** met serienummers van 2021 en later (het jaar staat duidelijk op het productplaatje vermeld, gevolgd door het serienummer) voldoen aan de eisen die zijn opgenomen in de RICHTLIJNEN VAN DE RAAD:

- van 17 mei 2006 "met betrekking tot machines" **2006/42/EG**.
- van 26 februari 2014 "betreffende elektromagnetische compatibiliteit" **2014/30/EU**.
- van 8 juni 2011 over de "beperking van het gebruik van bepaalde gevaarlijke stoffen" **2011/65/EU**.

De volgende normen zijn van toepassing:

**EN 62841-1:2015, EN 62841-4-2:2019, EN 55014-1:2017+A11, EN 55014-2:2015, CISPR12:2007+A1 2009, EN IEC 63000:2018.**

TÜV Rheinland LGA Products GmbH, Tillystrasse 2, D-90431 Nuernberg, Germany, heeft namens Husqvarna AB een niet-verplicht typeonderzoek uitgevoerd. Het certificaat heeft nummer: **AM 50491653 0001**.

Huskvarna 2020-12-30

**KEES VAN DER SPEK**  
TUINMACHINES \* STOLWIJK



Pär Martinsson, Hoofd Ontwikkeling (gemachtigde vertegenwoordiger voor Husqvarna AB en verantwoordelijk voor technische documentatie)



# INNHold

Innledning.....	145	Feilsøking.....	157
Sikkerhet.....	147	Transport, oppbevaring og avhending.....	158
Montering.....	153	Tekniske data.....	159
Drift.....	154	EF-samsvarserklæring.....	161
Vedlikehold.....	156		

## Innledning

### Produktbeskrivelse

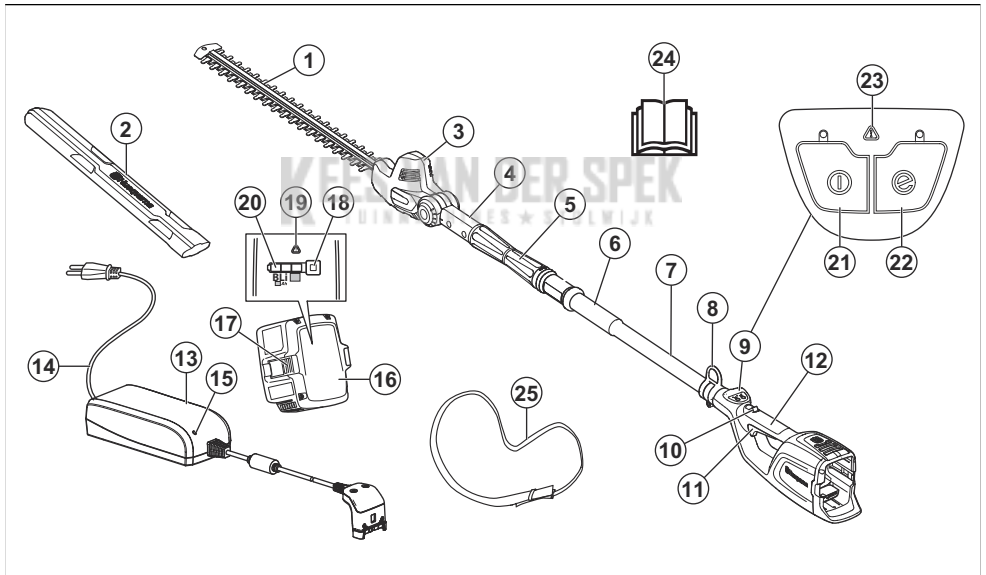
Husqvarna 120iTK4-H er en batteridrevet hekksaks med teleskopstang.

Det pågår et kontinuerlig arbeid for å øke sikkerheten og effektiviteten din under bruk. Kontakt serviceforhandleren din for mer informasjon.

### Bruksområder

Bruk produktet å kappe grener og kvister. Ikke bruk produktet til andre oppgaver.

### Produktoversikt



- |                                |                                       |
|--------------------------------|---------------------------------------|
| 1. Blad                        | 11. Kraftutløser                      |
| 2. Transportbeskyttelse        | 12. Bakre håndtak                     |
| 3. Hus                         | 13. Batterilader                      |
| 4. Håndtak for stillingssplitt | 14. Ledning                           |
| 5. Teleskopfunksjon            | 15. LED-lampe for strøm på / advarsel |
| 6. Fremre håndtak              | 16. Batteri                           |
| 7. Riggør                      | 17. Batteriutløserknapper             |
| 8. Opphengskrok for sele       | 18. Batteriindikatorknapp             |
| 9. Tastatur                    | 19. Varsellampe                       |
| 10. Kraftutløsesperre          | 20. LED-indikator for batteri         |

21. Start/stopp-knapp
22. SavE-knapp
23. Varsellampe
24. Bruksanvisning
25. Sele

## Symboler på produktet



**ADVARSEL!** Dette produktet er farlig. Brukeren eller personer i nærheten kan rammes av personskade eller død dersom produktet ikke brukes forsiktig og korrekt. Les og følg alle sikkerhetsinstruksjonene i brukerhåndboken for å forhindre personskade på brukeren eller personer i nærheten. Les nøye gjennom bruksanvisningen og sørg for at du har forstått instruksjonene før bruk.



Bruk vernehjelm på steder der gjenstander kan falle ned på deg. Bruk godkjent hørselsvern. Bruk godkjent øyevern.



Bruk godkjente vernehansker.



Dette produktet samsvarer med gjeldende EF-direktiver.



Nominell spenning, V



Direktestrøm.



Må ikke utsettes for regn.



Ikke rør bladet med hendene.



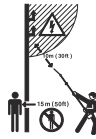
Teleskopfunksjon.



Splittfunksjon.



Drei til venstre for å løse knotten, drei til høyre for å stramme knotten.



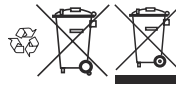
Dette produktet har ikke isolasjon. Hvis produktet kommer i kontakt med eller i nærheten av spenningsførende ledninger, kan dette føre til dødsfall eller alvorlig personskade. Strømmen kan overføres fra ett punkt til et annet via en såkalt spenningsbue. Jo høyere spenningen er, desto lengre avstand kan strømmen hoppe. Strømmen kan også overføres gjennom grener og andre objekter, spesielt dersom de er våte. Hold alltid en avstand på minst 10 meter mellom produktet og spenningsførende ledninger og/eller eventuelle gjenstander som berører dem. Hvis du må arbeide med kortere sikkerhetsavstand, må du alltid kontakte det aktuelle kraftselskapet for å sikre at strømmen er avslått, før du påbegynner arbeidet. Hold en avstand på minst 15 meter til andre personer eller dyr under bruk.

yyyywwxxxx

Typeskiltet viser serienummeret. **yyyy** er produksjonsåret, **ww** er produksjonsuken.

**Merk:** Øvrige symboler/etiketter angitt på produktet gjelder sertifiseringskrav for visse markeder.

## Symboler på batteriet og/eller batteriladeren



Lever dette produktet til et gjenvinningsanlegg for elektrisk og elektronisk utstyr. (Gjelder kun Europa)



Feilsikker transformator.



Batteriladeren skal bare brukes og oppbevares innendørs.



Dobbeltisolert.

## Produktansvar

Som nevnt i lovverket om produktansvar er vi ikke ansvarlig for skader som produktet vårt forårsaker, i følgende tilfeller:

- Produktet er reparert på feil måte.
- Produktet er reparert med deler som ikke kommer fra produsenten eller som ikke er godkjent av produsenten.

- Produktet har et tilbehør som ikke kommer fra produsenten eller som ikke er godkjent av produsenten.
- Produktet er ikke reparert på et godkjent servicesenter eller av en godkjent aktør.

## Sikkerhet

### Sikkerhetsdefinisjoner

Advarsler, oppfordringer og merknader brukes for å understreke spesielt viktige deler av bruksanvisningen.



**ADVARSEL:** Brukes hvis det er fare for personskade eller død for brukeren eller andre personer om instruksjonene i håndboken ikke følges.



**OBS:** Brukes hvis det er fare for skade på produktet, annet materiell eller nærliggende områder om instruksjonene i håndboken ikke følges.

**Merk:** Brukes for å gi mer nødvendig informasjon for en spesifikk situasjon.

### Generelle sikkerhetsadvarsler for motorredskaper



**ADVARSEL:** Les alle sikkerhetsadvarsler og instruksjoner. Hvis du ikke følger advarslene og instruksjonene, kan det føre til elektrisk støt, brann og/eller alvorlig personskade.

**Merk:** Ta vare på alle advarsler og instruksjoner for fremtidig bruk. Begrepet «el-verktøy» i advarslene referer til elektrisk verktøy som drives av nettstrøm (med ledning) eller batteri (uten ledning).

### Sikkerhet i arbeidsområdet

- **Hold arbeidsområdet rent og godt opplyst.** Rot og dårlig opplyste områder kan lett føre til ulykker.
- **Bruk ikke el-verktøy i eksplosiv atmosfære, for eksempel der det finnes brennbare væsker, gasser eller støv.** El-verktøy danner gnister som kan antenne støv eller gasser.
- **Hold barn og andre tilskuere på avstand når el-verktøyet er i bruk.** Distraksjoner kan føre til at du mister kontrollen.

### Elektrisk sikkerhet

- **Støpselet til elektroverktøyet må passe til stikkontakten. Du må aldri modifisere støpselet på noen måte. Adapterpluggen må ikke brukes sammen**

**med et jordet elektroverktøy.** Når støpselet/pluggen ikke er modifisert og stikkontakten passer, vil dette redusere faren for elektrisk støt.

- **Unngå kroppskontakt med jordede flater, for eksempel rør, radiatorer, komfyrer og kjøleskap.** Faren for elektrisk støt øker hvis kroppen til brukeren er jordet.
- **Elektroverktøy må ikke utsettes for regn eller fuktighet.** Hvis det kommer vann inn i elektroverktøyet øker faren for elektrisk støt.
- **Ledningen må håndteres forsiktig. Bruk aldri ledningen til å bære eller trekke noe, eller til å trekke ut støpselet. Hold ledningen unna varme, olje, skarpe kanter og bevegelige deler.** Skadet eller sammenflokete ledninger øker faren for elektrisk støt.
- **Når elektroverktøyet brukes utendørs, må det brukes en skjøteledning som er egnet for bruk utendørs.** Bruk av ledning for utendørs bruk reduserer faren for elektrisk støt.
- **Hvis elektroverktøyet må brukes på et fuktig sted, bør det være koblet til en strømkrets som er beskyttet av jordfeilbryter.** Bruk av jordfeilbryter reduserer faren for elektrisk støt.

### Personlig sikkerhet

- **Vær oppmerksom, følg med på det du gjør, og bruk sunn fornuft når du bruker elektroverktøyet. Ikke bruk et elektrisk verktøy hvis du er trett eller påvirket av narkotika, alkohol eller legemidler.** Et øyeblikks uoppmerksomhet ved bruk av elektroverktøy kan føre til alvorlig personskade.
- **Bruk personlig verneutstyr. Bruk alltid vernebriller.** Bruk av verneutstyr som støvmaske, vernesko med antisklisåle, hjelm og hørselvern der det kreves, reduserer faren for personskade.
- **Unngå utilsiktet oppstart. Forsikre deg om at bryteren står i AV-stillingen før du kobler til strømforsyningen og/eller batteripakken, tar opp verktøyet eller bærer verktøyet.** Hvis du bærer verktøyet med en finger på bryteren eller med elektroverktøyet påslått, kan dette lett føre til ulykker.
- **Fjern eventuelle justeringsnøkler før du slår på elektroverktøyet.** En nøkkel som sitter på en roterende del av elektroverktøyet, kan føre til personskade.
- **Ikke strekk deg for langt. Hold alltid føttene på bakken og en balansert stilling.** Dette gir deg bedre kontroll over elektroverktøyet i uventede situasjoner.
- **Bruk egnede klær. Bruk ikke løstsittende klær eller smykker. Hold hår og klær borte fra bevegelige**

deler. Løstsittende klær, smykker eller langt hår kan sette seg fast i bevegelige deler.

- Hvis apparatet er forsynt med tilkobling for støvsuger eller oppsamlere, må du forsikre deg om at disse er riktig tilkoblet og brukes på riktig måte. Bruk av støvoppsamler kan redusere faren for støvrelaterte skader.
- Selv om du har lang erfaring med bruk av elektroverktøy, må du ikke bli uforsiktig eller ignorere sikkerhetsreglene. En uforsiktig handling kan føre til alvorlig personskade i løpet av en brøkdel av et sekund.
- Vibrasjonsnivået under faktisk bruk av det motoriserte redskapet kan avvike fra den oppgitte totalverdien, avhengig av hvordan redskapet brukes. Brukeren må treffe sikkerhetstiltak for å beskytte seg, basert på et anslag av eksponeringen under de faktiske bruksforholdene (med hensyn til alle deler av operasjonssyklusen, for eksempel når verktøyet slås av og når det går på tomgang).

## Bruk og vedlikehold av elektroverktøy

- Bruk ikke makt på elektroverktøyet. Bruk riktig elektroverktøy for arbeidet som skal utføres. Riktig elektroverktøy gjør jobben på en bedre og sikrere måte i den hastigheten det er konstruert for.
- Bruk ikke elektroverktøyet hvis bryteren ikke lar seg slå på og av. Elektroverktøy som ikke kan kontrolleres med bryteren, er farlig, og må repareres.
- Koble pluggen fra strømforsyningen og/eller batteripakken fra elektroverktøyet før du foretar justeringer, skifter tilbehør eller oppbevarer elektroverktøyet. Slike forebyggende sikkerhetstiltak reduserer faren for at elektroverktøyet starter ved et uhell.
- Elektroverktøy som ikke er i bruk, må oppbevares utliggjelig for barn. La ikke elektroverktøyet brukes av personer som ikke er kjent med elektroverktøyet eller disse instruksjonene. Elektroverktøy er farlige når de brukes av uerfarne brukere.
- Vedlikehold av elektroverktøy. Kontroller justeringen av bevegelige deler, samt at de ikke sitter fast. Kontroller at det ikke finnes ødelagte deler eller andre feil som kan påvirke bruken av elektroverktøyet. Hvis elektroverktøyet er skadet, må det repareres før bruk. Mange ulykker forårsakes av dårlig vedlikeholdt elektroverktøy.
- Hold skjæreverktøy skarpe og rene. Riktig vedlikeholdte skjæreverktøy med skarpe skjærekanter har mindre fare for å sette seg fast, og er lettere å kontrollere.
- Bruk elektroverktøyet, tilbehør og verktøybits osv. i henhold til disse instruksjonene, og i forhold til arbeidsforholdene og arbeidet som skal utføres. Bruk av elektroverktøy til andre oppgaver enn dem de er laget for, kan føre til farlige situasjoner.
- Hold håndtakene og gripeflatene tørre, rene og frie for olje og fett. Glatte håndtak og gripeflater gjør trygg håndtering og kontroll av verktøyet i uventede situasjoner umulig.

## Bruk og pleie av batteriverktøy

- Må bare lades med laderen som er spesifisert av produsenten. En lader som passer til én batteripakke kan skape brannfare hvis den brukes med en annen batteripakke.
- Bruk elektriske verktøy bare med spesielt designede batteripakker. Bruk av andre batteripakker kan medføre fare for personskade og brann.
- Når batteriet ikke er i bruk, må det holdes unna andre metallgjenstander som binders, mynter, nøkler, spiker, skruer og andre små metallgjenstander som kan danne en forbindelse fra den ene batteripolen til den andre. Kortslutning av batteripolene kan føre til forbrenning eller brann.
- Hvis batteriet utsettes for store påkjenninger, kan det komme væske ut av det. Unngå i så fall kontakt med denne væsken. Skyll med vann hvis kontakt oppstår ved et uhell. Hvis du får væske i øynene, kontakt lege øyeblikkelig. Væske som kommer ut av batteriet kan forårsake irritasjon eller forbrenninger.
- Ikke bruk batteripakken eller verktøyet hvis det er skadet eller endret. Skadede eller endrede batterier kan ha en uforutsigbar adferd, noe som kan føre til brann, eksplosjoner eller personskader.
- Ikke eksponer en batteripakke eller et verktøy for brann eller for høy temperatur. Eksponering for flammer eller temperaturer over 130 °C (265 °F) kan føre til eksplosjon.
- Følg alle instruksjoner for lading, og ikke lad batteripakken eller verktøyet utenfor temperaturområdet som er angitt i instruksjonene. Lading på feil måte eller ved temperaturer utenfor det angitte området kan påføre batteriet skade og øke faren for brann.

## Service

- La en kvalifisert tekniker/reparatør utføre service, og gjøre eventuelle utskiftninger kun med identiske reservedeler. Dette sikrer at elektroverktøyet sikkerhet opprettholdes.
- Utfør aldri service på skadede batteripakker. Service av batteripakker skal kun utføres av produsenten eller autoriserte serviceleverandører.

## Sikkerhetsinstruksjoner for hekksaks

- Hold alle deler av kroppen borte fra bladet. Unngå å fjerne klippet materiale og å holde i materiale som skal klippes, mens bladene beveger seg. Bladene fortsetter å bevege seg etter at bryteren er slått av. Et øyeblikks uoppmerksomhet ved bruk av hekksaksen kan føre til alvorlig personskade.
- Hold hekksaksen i håndtaket med bladet stoppet, og vær forsiktig så du ikke kommer borti noen strømbryter. Riktig bæring av hekksaksen reduserer risikoen for utilsiktet start, som kan føre til personskade forårsaket av bladene.
- Ved transport eller lagring av hekksaksen må bladdekelet alltid være montert. Riktig håndtering

av hekksaksen reduserer risikoen for personskade forårsaket av bladene.

- **Når du fjerner fastkjørt materiale eller utfører service på enheten, må du kontrollere at alle strømbrytere er av, og at strømledningen er koblet fra.** Hvis hekksaksen aktiveres uventet mens du fjerner fastkjørt materiale eller utfører vedlikehold, kan det føre til alvorlig personskade.
- **Hold hekksaksen bare i de isolerte gripeflatene. Bladet kan komme i kontakt med skjulte ledninger eller verktøyets egen ledning.** Hvis bladene kommer i kontakt med en strømførende ledning, kan de eksponerte metalldelene av hekksaksen bli strømførende, og dette kan gi brukeren elektrisk støt.
- **Hold alle strømledninger og kabler unna klippeområdet.** Ledninger eller kabler kan være skjult i hekker og busker, og du kan risikere å kutte dem ved et uhell.
- **Ikke bruk hekksaksen i dårlig vær, spesielt når det er fare for tordenvær.** Dette øker faren for å bli truffet av lynnedslag.
- **Bruk aldri hekksaksen med utvidet rekkevidde i nærheten av elektriske kraftlinjer. Dette er for å redusere faren for elektrisk støt.** Kontakt med, eller bruk i nærheten av kraftlinjer kan føre til elektrisk støt som kan føre til alvorlig personskade eller dødsfall.
- **Bruk alltid begge hender når du bruker hekksaksen med utvidet rekkevidde.** Hold hekksaksen med utvidet rekkevidde med begge hender for å unngå å miste kontroll.
- **Bruk alltid hjeml når du bruker hekksaksen med utvidet rekkevidde over hodet.** Fallende objekter kan føre til alvorlig personskade.

## Generelle sikkerhetsinstruksjoner



**ADVARSEL:** Les de følgende advarslene før du bruker produktet.

- Ta alltid ut batteriet for å forhindre at produktet startes ved et uhell.
- Dette produktet er et farlig verktøy hvis du ikke er forsiktig, eller hvis du bruker produktet på feil måte. Dette produktet kan føre til alvorlig personskade eller død for operatøren eller andre.
- Ikke bruk produktet hvis det er endret fra den opprinnelige spesifikasjonen. Ikke bytt en del av produktet uten godkjenning fra produsenten. Bruk bare reservedeler som er godkjent av produsenten. Personskade eller dødsfall er mulige konsekvenser av feil vedlikehold.
- Kontroller produktet før bruk. Se *Sikkerhetsutstyr på produktet på side 151* og *Vedlikehold på side 156*. Ikke bruk et defekt produkt. Utfør sikkerhetskontrollene, og følg vedlikeholds- og serviceinstruksjonene i denne bruksanvisningen.

- Barn må holdes under oppsyn for å sikre at de ikke leker med produktet. Produktet og/eller batteriet må aldri brukes av barn eller personer som ikke har fått opplæring i bruken av det. Aldersgrensen for bruk kan være underlagt lokale bestemmelser.
- Oppbevar produktet på et låst sted for å hindre tilgang for barn eller personer som ikke er godkjent.
- Oppbevar produktet utilgjengelig for barn.
- Den opprinnelige konstruksjonen til produktet må ikke under noen omstendigheter endres uten tillatelse fra produsenten. Bruk alltid originalt tilbehør. Uautoriserte modifikasjoner og/eller tilleggsutstyr kan medføre alvorlige skader eller dødsfall for brukeren eller andre.

**Merk:** Bruken kan være regulert av nasjonal eller lokal lovgivning. Følg gjeldende lovgivning.

## Sikkerhetsinstruksjoner for drift



**ADVARSEL:** Les de følgende advarselinstruksjonene før du bruker produktet.

- Når du kommer ut for en situasjon som gjør deg usikker på fortsatt bruk, skal du rådføre deg med en ekspert. Henvend deg til din forhandler eller ditt serviceverksted. Unngå all bruk som du ikke føler deg kvalifisert til.
- Bruk aldri produktet hvis du er sliten, har drukket alkohol eller bruker medisiner som kan påvirke syn, vurderingsevne eller kroppskontroll.
- Arbeid i dårlig vær er slitsomt og kan medføre ekstra faremomenter. Det anbefales ikke å bruke maskinen i veldig dårlig vær, for eksempel i tett tåke, kraftig regn, sterk vind eller sterk kulde eller ved fare for lyn. Dette gir økt fare.
- Defekt skjæreutstyr kan øke risikoen for ulykker.
- La aldri barn bruke eller oppholde seg i nærheten av produktet. Siden produktet er lett å starte, kan barn starte det hvis de ikke holdes under oppsyn. Dette kan medføre risiko for alvorlig personskade. Batteriet må kobles fra når produktet ikke er under oppsyn.
- Sørg for at ingen mennesker eller dyr kommer nærmere enn 15 m unna mens du arbeider. Hvis flere arbeider på samme sted, skal sikkerhetsavstanden være minst 15 meter. Ellers kan dette medføre risiko for alvorlig personskade. Stopp produktet øyeblikkelig hvis noen kommer nærmere. Sving aldri produktet rundt uten først å ha kontrollert bakover at ingen befinner seg innenfor sikkerhetssonen.
- Sørg for at mennesker, dyr eller annet ikke kan påvirke kontrollen av produktet, og at de ikke kommer i kontakt med skjæreutstyret eller løse gjenstander som slynges ut av skjæreutstyret. Bruk imidlertid aldri produktet uten mulighet til å kunne påkalle hjelp ved en ulykke.

- Inspiser alltid arbeidsområdet. Fjern alle løse gjenstander som steiner, glasskår, spikre, ståltråd, snorer med mer som kan slynges av sted eller vikle seg inn i skjæreutstyret.
- Sørg for at du kan gå og stå sikkert. Se etter eventuelle hindre ved uventet forflytting (røtter, steiner, greiner, groper, forhøyninger osv.). Vær meget forsiktig ved arbeid i skrånende terreng.
- Ha god balanse og sikkert fotfeste til enhver tid. Ikke strekk deg for langt.
- Slå av produktet før du flytter det. Fest transportbeskyttelsen når produktet ikke er i bruk.
- Sett aldri produktet ned med mindre du har slått det av. Ikke forlat produktet uten tilsyn når det er slått på.
- Ta ut batteriet før du overlater produktet til en annen person.
- Forsikre deg om at ingen klær eller kroppsdeler kan komme i kontakt med skjæreutstyret når produktet er slått på.
- Hvis noe skulle sette seg fast i skjæreutstyret mens du bruker produktet, må du stoppe og slå av produktet. Kontroller at skjæreutstyret stopper helt. Ta ut batteriet før du rengjør, inspiserer eller reparerer produktet og/eller skjæreutstyret.
- Når produktet er slått av, må du holde hender og føtter unna skjæreutstyret til det har stoppet helt.
- Se opp for grenstumper som kan slynges i vei under kappingen. Klipp ikke for nær bakken, der steiner og andre gjenstander kan bli slynget av gårde.
- Se opp for gjenstander som slynges ut. Godkjent øyevern skal alltid brukes. Bøy deg aldri over skjæreutstyrets beskyttelse. Steiner, skrot o.l. kan bli slynget opp i øynene og forårsake blindhet eller alvorlige skader.
- Vær alltid oppmerksom på varselsignaler eller tilrop ved bruk av hørselsvern. Ta alltid av hørselvernet så snart produktet stopper.
- Arbeid aldri på en stige, skammel eller stå på noe annet som ikke er ordentlig sikret.
- Denne maskinen skaper et elektromagnetisk felt når den er i bruk. Dette feltet kan under visse forhold forstyrre aktive eller passive medisinske implantater. For å redusere risikoen for alvorlig eller livstruende skade, anbefaler vi at personer med medisinske implantater rådfører seg med sin lege og produsenten av det medisinske implantatet før denne maskinen tas i bruk.
- Bruk alltid begge hender for å holde produktet. Hold produktet på høyre side av kroppen.
- Stopp alltid produktet, ta ut batteriet og kontroller at skjæreutstyret ikke roterer, før du fjerner materiale som har viklet seg rundt klingesakselen eller festet seg mellom beskyttelsen og skjæreutstyret.
- Det elektromagnetiske feltet under drift kan forstyrre aktive eller passive medisinske implantater. Personer med medisinske implantater må snakke med lege og produsenten av det medisinske

implantatet før vedkommende bruker dette produktet.

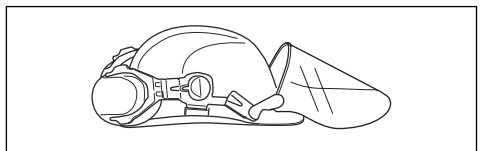
- Bær vekten av produktet med selen for å gjøre produktet enklere å bruke.
- Langvarig eksponering for støy kan gi varige hørselsskader. Husqvarna anbefaler at operatørene har på seg godkjent hørselsvern.
- Bruk aldri et produkt som er modifisert slik at det ikke lenger er i samsvar med originalutførelsen.
- Bruk aldri et defekt produkt. Utfør sikkerhetskontrollene og vedlikeholds- og serviceinstruksjonene i denne bruksanvisningen. Noen vedlikeholds- og servicetiltak må utføres av erfarne og kvalifiserte spesialister. Se instruksjonene under overskriften Vedlikehold.
- Utfør en generell inspeksjon av produktet før bruk. Se vedlikeholdsskjemaet.
- La aldri noen andre bruke maskinen før du har forsikret deg om at de har lest og forstått innholdet i bruksanvisningen.
- Kontroller at det ikke er fremmedlegemer som strømledninger og dyr osv., eller gjenstander som kan skade skjæreutstyret, f.eks. metallgjenstander, i arbeidsområdet.
- Feil på knivene kan øke risikoen for ulykker.

## Personlig verneutstyr



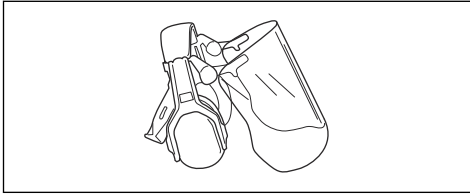
**ADVARSEL:** Les de følgende advarselinstruksjonene før du bruker produktet.

- Benytt alltid godkjent verneutstyr når du bruker produktet. Verneutstyr kan aldri fullstendig forhindre skade, men det reduserer skadeomfanget hvis ulykken inntreffer. Spør forhandleren din om hjelp til å velge riktig utstyr.
- Bruk vernehjelm dersom det kan være fare for fallende gjenstander.



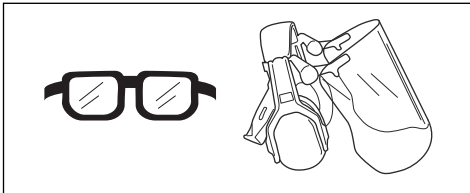
- Langvarig eksponering for støy kan gi hørselsskader. Batteridrevne produkter er generelt relativt stillestående, men skade kan oppstå ved en kombinasjon av støynivå og lang tids bruk. Husqvarna anbefaler at operatørene har på seg hørselsvern når de bruker produkter i en lang

sammenhengende tidsperiode. Regelmessige brukere bør sjekke hørselen sin jevnlig.

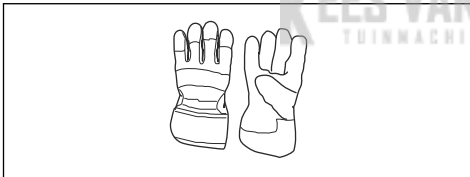


**ADVARSEL:** Hørselsvern gir begrenset mulighet til å høre lyder og varselsignaler.

- Bruk godkjent øyevern. Ved bruk av visir skal det også brukes godkjente vernebriller. Godkjente vernebriller er slike som tilfredsstiller standard ANSI Z87.1 for USA eller EN 166 for EU-land.



- Bruk hansker når det er nødvendig, for eksempel når du fester, undersøker eller rengjør skjæretutstyret.



- Bruk klær av et slitesterkt materiale. Bruk alltid tykke langbukser og lange ermer. Unngå bruk av allfor vide klær som lett henger seg fast i kvister og grener. Ikke bruk smykker, kortbukser eller sandaler, og ikke gå barbert. Sett håret opp over skuldernivå.
- Ha førstehjelpsutstyr for hånden.



## Sikkerhetsutstyr på produktet



**ADVARSEL:** Les de følgende advarslene før du bruker produktet.

I dette avsnittet forklares produktets sikkerhetsfunksjoner, hvilken funksjon det har, og

hvordan man utfører kontroll og vedlikehold for å være sikker på at det fungerer. Se anvisninger under overskriften *Produktoversikt på side 145* for å se hvor disse delene er plassert på ditt produkt.

Levetiden til produktet kan forkortes og risikoen for ulykker kan øke dersom produktvedlikeholdet ikke utføres på riktig måte, og dersom service og/eller reparasjoner ikke er fagmessig utført. Hvis du trenger ytterligere informasjon, kan du kontakte nærmeste servicesenter.



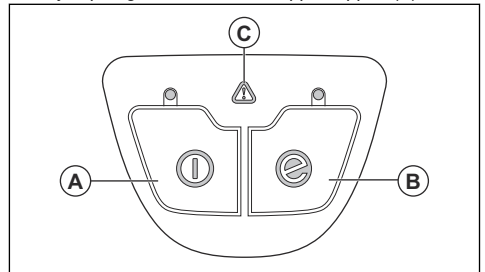
**ADVARSEL:** Bruk aldri et produkt med defekt sikkerhetsutstyr. Produktets sikkerhetsutstyr skal kontrolleres og vedlikeholdes som beskrevet i dette avsnittet. Hvis produktet ikke består alle kontrollene, må serviceverksted oppsøkes for reparasjon.



**OBS:** All service og reparasjon av maskinen krever spesialutdanning. Dette gjelder særlig maskinens sikkerhetsutstyr. Hvis maskinen ikke består alle kontrollene som er oppgitt nedenfor, må du oppsøke et serviceverksted. Kjøp av våre produkter garanterer at du kan få utført en fagmessig reparasjon og service. Hvis maskinen ikke er kjøpt hos en av våre servicefaghandlere, så spør dem etter nærmeste serviceverksted.

## Slik kontrollerer du tastaturet

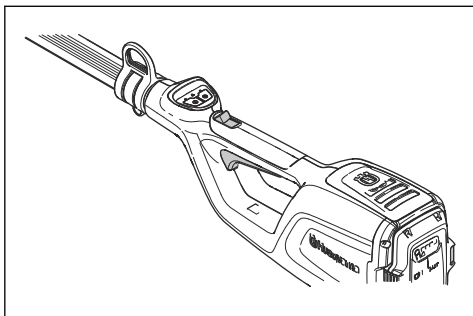
1. Trykk på og hold inne start/stopp-knappen (A).



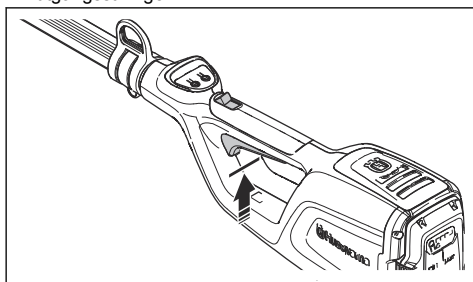
- a) Produktet er slått på når LED-lampen lyser.
  - b) Produktet er slått av når LED-lampen er slukket.
2. Se *Slik starter du savE-funksjonen på side 156* for funksjonen til savE-knappen (B).
  3. Se *Feilsøking på side 157* hvis varsellampen (C) lyser eller blinker.

## Slik kontrollerer du kraftutløserperren

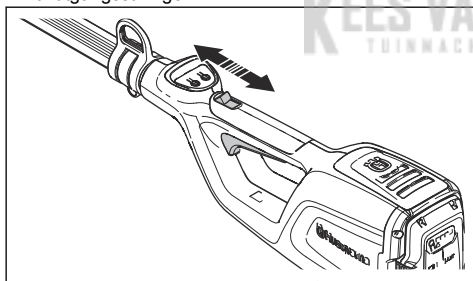
Kraftutløserperren forhindrer at maskinen aktiveres ved et uhell. Når du slipper håndtaket, går kraftutløseren og kraftutløserperren tilbake til utgangsposisjonene.



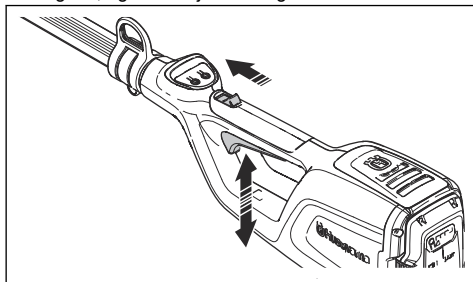
1. Kontroller at kraftutløseren er låst når sperren står i utgangsstillingen.



2. Trekk i og slipp låsen, og kontroller at den går tilbake til utgangsstillingen.



3. Kontroller at kraftutløseren og sperren kan bevege seg fritt, og at retur fjæren fungerer som den skal.



4. Start produktet. Se *Slik starter du produktet på side 155*.

5. Gi full gass.
6. Slipp kraftutløseren, og sjekk at skjæreutstyret stanser helt.

## Batterisikkerhet



**ADVARSEL:** Les de følgende advarselinstruksjonene før du bruker produktet.

- Anbefalt batteri er BLi10. Se *Tekniske data på side 159*. Batteriet er programvarekryptert.
- Bruk bare BLi10-batteriet som er oppladbart, som strømforsyning for relaterte Husqvarna-produkter. For å unngå personskader må du ikke bruke batteriet som strømforsyning for andre enheter.
- Fare for elektrisk støt. Ikke la batteripolene komme i kontakt med nøkler, mynter, skruer eller andre metallgjenstander. Dette kan føre til kortslutning av batteriet.
- Ikke bruk ikke-oppladbare batterier.
- Ikke sett gjenstander inn i luftåpningene til batteriet.
- Hold batteriet unna sollys, varme og åpen ild. Batteriet kan forårsake forbrenninger og/eller kjemiske forbrenninger.
- Hold batteriet unna regn og fuktighet.
- Hold batteriet unna mikrobølger og høyt trykk.
- Ikke prøv å demontere eller ødelegge batteriet.
- Hvis batteriet lekker, må væsken ikke komme i kontakt med hud eller øyne. Hvis du har berørt væsken, må du rengjøre området med store mengder vann og såpe og oppsøke legehjelp. Unngå å gni hvis du får væske i øynene. Skyll øynene med vann i minst 15 minutter, og oppsøk legehjelp.
- Bruk batteriet i temperaturer mellom  $-10^{\circ}\text{C}$  ( $14^{\circ}\text{F}$ ) og  $40^{\circ}\text{C}$  ( $114^{\circ}\text{F}$ ).
- Ikke rengjør batteriet eller batteriladeren med vann. Se *Slik rengjør du produktet, batteriet og batteriladeren på side 157*.
- Ikke bruk et defekt eller skadet batteri.
- Oppbevar batteriene unna metallgjenstander, for eksempel spikre, skruer og smykker.
- Oppbevar batteriet utilgjengelig for barn.

## Sikker bruk av batteriladeren



**ADVARSEL:** Les de følgende advarselinstruksjonene før du bruker produktet.

- Fare for elektrisk støt eller kortslutning hvis sikkerhetsinstruksjonene ikke følges.
- Ikke bruk andre ladere enn den som ble levert med produktet. Anbefalt lader er QC80 når du lader BLi10-batteriet.
- Ikke prøv å demontere batteriladeren.
- Ikke bruk en defekt eller skadet batterilader.



- Ikke løft batteriladeren etter strømledningen. For å koble laderen fra stikkkontakten drar du i støpselet. Ikke dra i ledningen.
- Hold alle ledninger og skjøteledninger borte fra vann, olje og skarpe kanter. Pass på at kablen ikke kommer i klem mellom objekter, for eksempel dører, gjerder eller lignende.
- Ikke bruk batteriladeren i nærheten av brennbare materialer eller materialer som kan forårsake korrosjon. Kontroller at batteriladeren ikke er tildekket. Trekk ut støpselet til batteriladeren hvis det oppstår røyk eller brann.
- Bare lad batteriet innendørs på et sted med god luftsirkulasjon og som er beskyttet mot direkte sollys. Ikke lad batteriet utendørs. Ikke lad batteriet i fuktige omgivelser.
- Bare bruk batteriladeren i temperaturer mellom 5 °C (41 °F) og 40 °C (104 °F). Bruk laderen i godt ventilerte, tørre og støvfrie omgivelser.
- Ikke sett gjenstander inn i luftåpningene til laderen.
- Berør aldri ladekontaktene med metallgjenstander. Dette kan kortslutte batteriladeren.
- Bruk bare godkjente stikkontakter som ikke er skadet. Kontroller at ledningen til batteriladeren ikke er skadet. Hvis skjøteledninger brukes, må du passe på at skjøteledningene ikke er skadet.
- Fjern batteriet før du utfører vedlikehold, andre kontroller eller monterer produktet.
- Operatøren må bare utføre vedlikehold og service som refereres til i denne bruksanvisningen. Henvend deg til forhandleren for mer omfattende vedlikehold og service.
- Ikke rengjør batteriet eller batteriladeren med vann. Sterke vaskemidler kan skade platen.
- Hvis du ikke utfører vedlikehold, minsker levetiden til produktet og risikoen for ulykker øker.
- Det kreves spesiell opplæring for alt vedlikehold og reparasjonsarbeid, spesielt for sikkerhetsstyret på produktet. Hvis ikke alle kontrollene i denne bruksanvisningen er godkjent etter at du har gjort vedlikehold, må du ta kontakt med serviceforhandleren. Vi garanterer at fagmessig reparasjon og service er tilgjengelig for produktet.
- Hold bladtennene godt og korrekt filt. Følg anbefalingene våre. Se også instruksjonene på bladets emballasje.
- Bruk bare originale reservedeler.
- Bruk alltid robuste hansker når du reparerer skjærestyret. Bladene er svært skarpe og kan lett forårsake skader.

## Sikkerhetsinstruksjoner for vedlikehold



**ADVARSEL:** Les de følgende advarslene før du utfører vedlikehold på produktet.

KONIG VAN DER SPEK  
TUINMACHINES \* STOLWIJK

## Montering

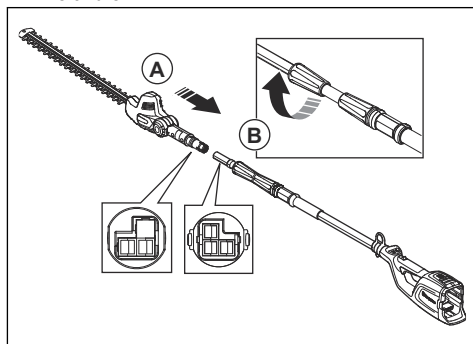
### Innledning



**ADVARSEL:** Les og forstå kapitlet om sikkerhet før du monterer produktet.

### Slik monterer du riggrøret

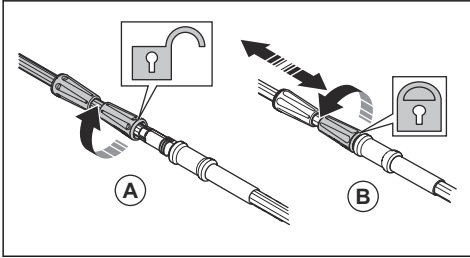
1. Kontroller at de elektriske pluggene er innrettet med hverandre.



2. Koble til endene til riggrøret (A) fullstendig.
3. Trekk til skruhåndtaket på hodesiden av riggrøret til heksaksen (B).

## Slik justerer du lengden på riggrøret

1. Løsne skruhåndtaket på batteriromsiden av riggrøret (A).

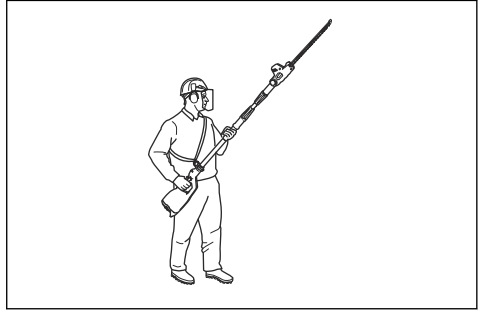


2. Juster riggrøret til en egnet lengde.
3. Trekk til skruhåndtaket (B).

## Slik justerer du selen

Bruk alltid selen når du bruker produktet. Selen gir maksimal kontroll ved bruk av produktet. Selen minsker risikoen for å bli sliten i armer og rygg.

1. Ta på deg selen.
2. Fest produktet til opphengskroken for selen.
3. Juster selens lengde slik at opphengskroken er omtrent på høyde med din høyre hofte.



## Drift

### Innledning



**ADVARSEL:** Les og forstå kapittelet om sikkerhet før du bruker produktet.

### Dette må du gjøre før du starter produktet

1. Undersøk arbeidsområdet. Fjern gjenstander som kan bli slynget av gårde.
2. Undersøk skjæreutstyret. Kontroller at bladene er skarpe og ikke har sprekker og skader.
3. Kontroller at produktet fungerer som det skal. Kontroller at alle muttere og skruer er trukket ordentlig til.
4. Sørg for at håndtaket og sikkerhetsutstyr ikke er skadet og er riktig festet. Ikke bruk et produkt som mangler deler eller som har blitt endret fra den opprinnelige spesifikasjonen. Bruk vernehansker når det er nødvendig.
5. Sørg for at dekslene ikke er skadet og er festet riktig, før du bruker produktet.

### Slik kobler du til batteriladeren

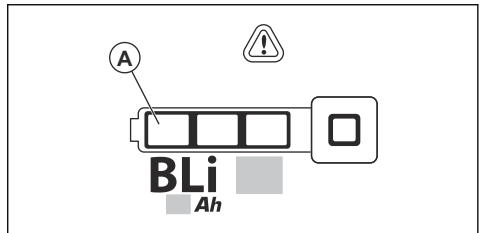
1. Koble batteriladeren til den spenningen og frekvensen som er angitt på typeskiltet.
2. Sett støpselet i en jordet stikkontakt. LED-indikatoren på batteriladeren blinker grønt én gang.

**Merk:** Batteriet lades ikke hvis batteritemperaturen er på over 50 °C / 122 °F. Hvis temperaturen er på over 50 °C / 122 °F, vil batteriladeren i stedet kjøle ned batteriet før batteriet kan lades.

### Koble batteriet til batteriladeren

**Merk:** Hvis det er første gang du bruker batteriet, må du lade det. Et nytt batteri er bare 30 % ladet.

1. Kontroller at batteriet er tørt.
2. Koble batteriet til batteriladeren.
3. Kontroller at den grønne ladelampen på laderen tennes. Det betyr at batteriet er riktig koblet til laderen.
4. Når alle LED-indikatorene (A) på batteriet lyser, er batteriet fulladdat.



5. Når du skal koble laderen fra stikkontakten, drar du i støpselet. Ikke dra i ledningen.
6. Fjern batteriet fra batteriladeren.

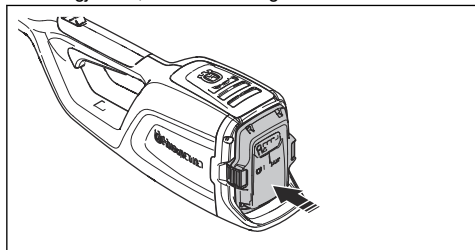
**Merk:** Se bruksanvisningene for batteriet og batteriladeren for mer informasjon.

## Slik kobler du batteriet til produktet



**ADVARSEL:** Bruk bare originale Husqvarna-batterier i produktet.

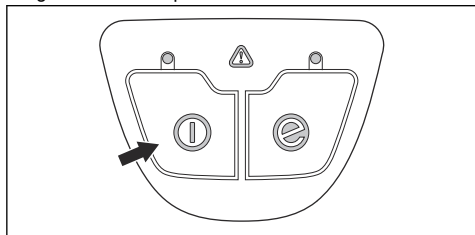
1. Kontroller at batteriet er fulladet.
2. Plasser batteriet i batteriholderen på produktet. Batteriet skal gli lett inn i batteriholderen. Hvis det ikke gjør det, er det ikke riktig installert.



3. Trykk på den nedre delen av batteriet, og skyv det helt inn i batteriholderen. Batteriet låses på plass når du hører et klikk.
4. Kontroller at låsene låses riktig på plass.

## Slik starter du produktet

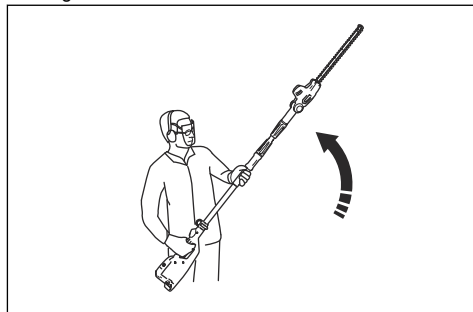
1. Trykk på og hold start/stopp-knappen inne til den grønne LED-lampen tennes.



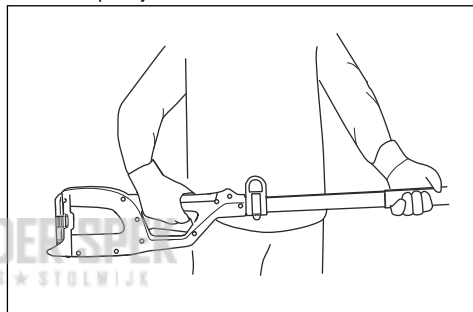
2. Trekk kraftutløssersperren bakover, og hold inne kraftutløseren.

## Slik bruker du produktet

- Når du klipper sidene på hekken, er det lurt å begynne nærme bakken og flytte produktet opp langs siden av hekken.



- Hold produktet nær kroppen for å ha en stabil arbeidsposisjon.

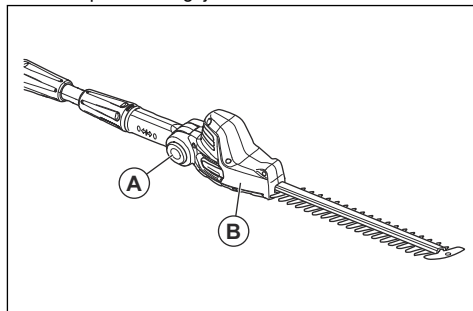


- Sørg for at tuppen av skjæreutstyret ikke kommer i kontakt med bakken.
- Vær forsiktig, og jobb rolig til alle grenene er riktig beskåret.

## Slik justerer du vinkelen på skjæreutstyret

Skjæreutstyret kan justeres i sju forskjellige trinn.

1. Stans produktet og fjern batteriet.



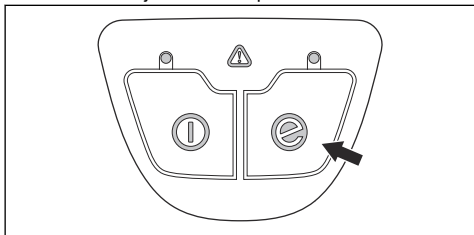
2. Hold godt i huset (B).
3. Trykk på og hold inne låseknappene (A) på de to sidene av huset (B).

4. Flytt skjærestyret til riktig vinkel.
5. Slipp opp låsekneppene (A) på de to sidene.
6. Flytt huset (B) opp og ned til skjærestyret låses på plass.

### Slik starter du savE-funksjonen

Produktet har en savE-funksjon. savE-funksjonen gir lengst driftstid ved bruk av batteri.

1. Trykk på savE-knappen. LED-lampen tennes for å vise at -funksjonen er slått på.



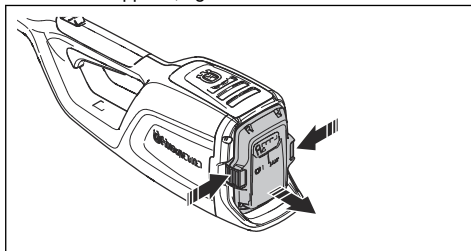
2. Trykk på savE-knappen igjen for å stoppe savE-funksjonen.

### Funksjon for automatisk avslåing

Produktet har en automatisk avslåingsfunksjon som stopper produktet hvis produktet ikke brukes. Den grønne LED-lampen for start/stopp slukkes, og produktet stopper etter 60 sekunder.

### Slik stopper du produktet

1. Slipp kraftutløseren.
2. Trykk på og hold start/stopp-knappen inne til den grønne LED-lampen slukkes.
3. Fjern batteriet fra produktet. Trykk på de to utløserknappene, og trekk ut batteriet.



## Vedlikehold

### Innledning



**ADVARSEL:** Les og forstå kapittelet om sikkerhet før du utfører vedlikeholdsarbeid på produktet.

### Vedlikeholdsskjema

Under følger en liste over vedlikeholdstrinnene som må utføres på produktet.



**ADVARSEL:** Ta ut batteriet før du utfører vedlikehold på produktet.

Vedlikehold	Før bruk	Ukentlig	Månedlig
Rengjør de utvendige delene av produktet.	X		
Kontroller at start/stopp-bryteren fungerer som den skal, og at den ikke er skadet.	X		
Kontroller at kraftutløseren og kraftutløseresperreren fungerer riktig med hensyn til sikkerhet.	X		
Pass på at alle kontrollene fungerer og ikke er skadet.	X		
Kontroller om kapperbladet eller kapperbeskyttelsen har sprekker eller er skadet. Bytt ut kapperbladet eller kapperbeskyttelsen hvis de har sprekker eller har blitt utsatt for støt.	X		
Bytt ut kapperbladet hvis det er bøyd eller skadet.	X		
Kontroller at skruer og mutre sitter stramt.	X		
Kontroller at batteriet ikke er skadet.	X		
Kontroller at batteriet er ladet.	X		

Vedlikehold	Før bruk	Ukentlig	Månedlig
Kontroller at batteriladeren ikke er skadet.	X		
Sørg for at skruene som holder kapperbladene sammen, er trukket riktig til.		X	
Kontroller forbindelsene mellom batteriet og produktet. Kontroller forbindelsen mellom batteriet og batteriladeren.			X

## Slik kontrollerer du batteriet og batteriladeren

1. Kontroller batteriet for skader, for eksempel sprekker.
2. Kontroller batteriladeren for skader, for eksempel sprekker.
3. Kontroller at strømfledningen til batteriladeren ikke er skadet, og at det ikke er sprekker i den.

## Slik rengjør du produktet, batteriet og batteriladeren

1. Rengjør produktet med en tørr klut etter bruk.
2. Rengjør batteriet og batteriladeren med en tørr klut. Hold batterispolene rene.
3. Kontroller at terminalene på batteriet og batteriladeren er rene før batteriet settes i batteriladeren eller produktet.

## Slik undersøker du kapperbladet

1. Rengjør uønsket materiale fra kapperbladene med et anti-rust-rengjøringsmiddel før og etter bruk av produktet.
2. Undersøk eggene på kapperbladene for skader og deformering.

3. Bruk en fil for å fjerne ujevnheter på kapperbladene.
4. Kontroller at kapperbladene beveger seg fritt.

## Slik rengjør og smører du bladet

1. Rengjør uønsket materiale fra bladet før og etter bruk av produktet.
2. Smør bladet før lang tids oppbevaring.

**Merk:** Ta kontakt med serviceforhandleren din for å få mer informasjon om anbefalt rengjørings- og smøremiddel.

## Slik smører du giret

Smør fett på girhuset hvis giret har blitt demontert av en godkjent serviceforhandler.

- Bruk Husqvarna spesialfett. Ta kontakt med serviceforhandleren din for å få mer informasjon om anbefalt fett.
- Bruk bare en liten mengde spesialfett av høy kvalitet.



**OBS:** Ikke fyll girhuset helt.

## Feilsøking

### Tastatur

LED-skjerm	Mulige feil	Mulige løsninger
LED-feillampen blinker.	Overbelastning	Skjæreutstyret beveger seg ikke fritt. Løsne skjæreutstyret.
Produktet starter ikke.	Det er smuss på batterikontaktene.	Rengjør batterikontaktene med trykkluft eller en myk børste.
LED-feillampen tennes med rødt lys.	Det er nødvendig å utføre service på produktet.	Ta kontakt med serviceforhandleren din.

### Batteri

LED-display	Mulige feil	Mulig handling
Den grønne LED-lampen blinker.	Lav batterispenning	Lad batteriet.

LED-display	Mulige feil	Mulig handling
LED-feillampen blinker.	Temperaturavvik	Bruk batteriet i temperaturer mellom –10°C (14°F) og 40°C (104°F).
	For sterk spenning	Kontroller at nettspenningen samsvarer med den som er angitt på typeskiltet på produktet. Fjern batteriet fra batteriladeren.
LED-feillampen er tent.	For stor forskjell mellom cellene (1 V).	Snakk med serviceforhandleren din.

## Batterilader

Problem	Mulige feil	Mulig løsning
Rød LED-feillampe blinker.	Temperaturavvik	Bruk batteriladeren i temperaturer mellom 5 °C (41 °F) og 40 °C (104 °F).
Rød LED-feillampe tennes.	For stor forskjell mellom cellene (1 V).	Snakk med serviceforhandleren din.

## Transport, oppbevaring og avhending

### Transport og oppbevaring

- De medfølgende litiumionbatteriene samsvarer med kravene i loven om farlige varer.
- Følg de spesifikke kravene på emballasje og etiketter for kommersiell transport, inkludert av tredjeparter og fraktleverandører.
- Snakk med en person med spesiell opplæring i farlige materialer før du sender produktet. Følg alle gjeldende nasjonale forskrifter.
- Bruk tape på åpne kontakter når du plasserer batteriet i en pakke. Pakk batteriet stramt for å hindre bevegelse.
- Fjern batteriet ved lagring og transport.
- Oppbevar batteriet og batteriladeren på et sted som er tørt og fri for fukt og frost.
- Batteriet må ikke oppbevares på steder der det kan forekomme statisk elektrisitet. Ikke oppbevar batteriet i en metallkasse.
- Oppbevar batteriet i temperaturer mellom 5 °C (41 °F) og 25 °C (77 °F) og unna direkte sollys.
- Oppbevar batteriladeren i temperaturer mellom 5 °C (41 °F) og 45 °C (113 °F) og unna direkte sollys.
- Bruk batteriladeren bare i temperaturer mellom 5 °C (41 °F) og 40 °C (104 °F).
- Lad opp batteriet til 30–50 % før du setter det til oppbevaring i lange perioder.

- Oppbevar batteriladeren på et sted som er lukket og tørt.
- Hold batteriet og batteriladeren separert under oppbevaring. Ikke la barn eller andre uautoriserte personer røre utstyret. Oppbevar utstyret i et område som kan låses.
- Rengjør produktet og utfør en fullstendig service før du setter det til oppbevaring i lang tid.
- Bruk transportbeskyttelsen på produktet for å unngå personskader eller skade på produktet under transport og oppbevaring.
- Fest produktet på en sikker måte under transport.

### Kassering av batteri, batterilader og produktet

Symbolene på produktet eller produktemballasjen angir at dette produktet ikke skal håndteres som restavfall. Resirkuler det på et gjenvinningsanlegg for elektrisk og elektronisk utstyr. Dette bidrar til å forhindre miljøskader og personskader.

Ta kontakt med lokale myndigheter, det lokale renovasjonsvesenet eller forhandleren hvis du ønsker mer informasjon om hvordan produktet ditt skal gjenvinnes.

## Tekniske data

### Tekniske data

	120ITK4-H
<b>Motor</b>	
Motortype	PMDC 36 V
<b>Vekt</b>	
Vekt uten batteri, kg	4,6
Vekt med batteri (standard batteri BLi10), kg	5,3
<b>Støyutslipp<sup>25</sup></b>	
Lydeffektnivå, målt dB(A)	91,32
Lydeffektnivå, garantert $L_{WA}$ dB(A)	94
<b>Lydnivåer<sup>26</sup></b>	
Lydtrykknivå ved brukerens øre, målt i henhold til EN 62841-1 og EN 62841-4-2, dB(A)	81,3
<b>Vibrasjonsnivåer<sup>27</sup></b>	
Vibrasjonsnivåer ( $a_n$ ), fremre/bakre håndtak, $m/s^2$ Se EN 62841-1 og EN 62841-4-2.	1,223/0,816
<b>Klippeutstyr</b>	
Type	Dobbeltsidig
Bladlengde, mm	500
Bladhastighet, klipp/min i SaveE-modus	2250
Bladhastighet, klipp/min uten SaveE-modus	2800

### Godkjente batteriladere

Batterilader	QC80
Inngangsspenning, V	100–240
Frekvens, Hz	50-60
Effekt, W	100

<sup>25</sup> Utslipp av støy til omgivelsene målt som lydeffekt ( $L_{WA}$ ) samsvarer med EF-direktiv 2000/14/EF. Forskjellen mellom garantert og målt lydeffekt er at garantert lydeffekt også omfatter spredning i måleresultatet og variasjoner mellom forskjellige produkter av samme modell, i henhold til direktivet 2000/14/EF.

<sup>26</sup> Typisk statistisk spredning for ekvivalent lydtrykknivå er et standard avvik på 3 dB(A).

<sup>27</sup> Rapporterte data for vibrasjonsnivå har en typisk statistisk spredning (standardavvik) på 1,5  $m/s^2$ .

Det oppgitte totale vibrasjonsnivået er målt i samsvar med en standard testmetode, og kan brukes til å sammenligne ett redskap med et annet.

Det oppgitte totale vibrasjonsnivået kan også brukes til innledende vurdering av eksponering.

<b>Batterilader</b>	<b>QC80</b>
Utgangsspenning, V DC/A	36/2

### Godkjente batterier til produktet

<b>Batteri</b>	<b>BLi10</b>
Type	Litium-ion
Batterikapasitet, Ah	Se etiketten for batterikapasitet
Nominell spenning, V	36
Vekt, kg	0,7

**KEES VAN DER SPEK**  
TUINMACHINES ★ STOLWIJK



---

# EF-samsvarserklæring

---

## EF-samsvarserklæring

**Husqvarna AB**, SE-561 82 Huskvarna, Sverige, tlf.: +46-36-146500, erklærer at stanghekkaksaksen **Husqvarna 120iTK4-H** med serienummer fra 2021 og fremover (året er tydelig merket på typeskiltet, etterfulgt av serienummeret), samsvarer med kravene i RÅDSDIREKTIVET:

- fra 17. mai 2006, «angående maskiner», **2006/42/EF**
- fra 26. februar 2014, «angående elektromagnetisk kompatibilitet», **2014/30/EU**
- fra 8. juni 2011 angående «begrensning av bruken av bestemte farlige stoffer», **2011/65/EU**

Følgende standarder er blitt brukt:

**EN 62841-1:2015, EN 62841-4-2:2019, EN 55014-1:2017+A11, EN 55014-2:2015, CISPR12:2007+A1 2009, EN IEC 63000:2018.**

TÜV Rheinland LGA Products GmbH, Tillystrasse 2, D-90431 Nuernberg, Germany har utført frivillig typekontroll på vegne av Husqvarna AB.  
Sertifikatnummer: **AM 50491653 0001**.

Huskvarna 2020-12-30



**KES VAN DER SPEK**  
MOTORS \* STOLWIJK

Pär Martinsson, utviklingssjef (autorisert representant for Husqvarna AB og ansvarlig for teknisk dokumentasjon)

# ÍNDICE

Introdução.....	162	Resolução de problemas.....	176
Segurança.....	164	Transporte, armazenamento e eliminação.....	177
Montagem.....	171	Especificações técnicas.....	177
Funcionamento.....	172	Declaração CE de conformidade.....	179
Manutenção.....	174		

## Introdução

### Descrição do produto

O Husqvarna 120iTK4-H é um corta-sebes com cabo telescópico a bateria.

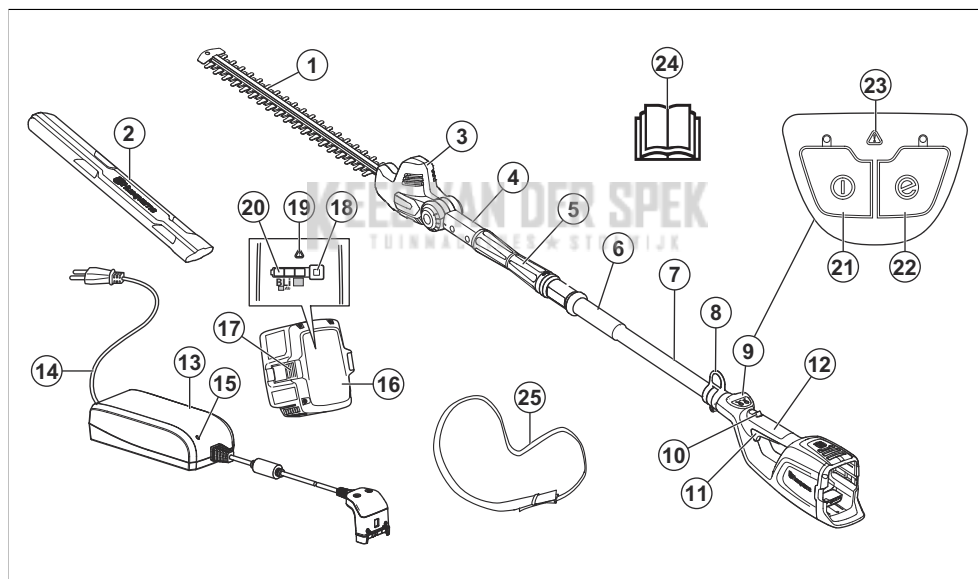
Decorre um trabalho constante para aumentar a sua segurança e eficiência durante o funcionamento. Para

mais informações, contacte o revendedor com assistência técnica.

### Finalidade

Utilize o produto para cortar ramos e galhos. Não utilize o produto para outras tarefas.

### Vista geral do produto



- 1. Lâmina
- 2. Proteção para transporte
- 3. Caixa
- 4. Punho de divisão da posição
- 5. Função telescópica
- 6. Punho dianteiro
- 7. Eixo
- 8. Gancho de suspensão da correia
- 9. Teclado
- 10. Bloqueio do interruptor de alimentação
- 11. Interruptor de alimentação
- 12. Punho traseiro
- 13. Carregador da bateria
- 14. Fio
- 15. LED de aviso/alimentação ligada
- 16. Bateria
- 17. Botões de desengate da bateria
- 18. Botão indicador da bateria
- 19. LED de aviso
- 20. LED indicador da bateria
- 21. Botão de arranque/paragem
- 22. Botão SavE (economia)

- 23. LED de aviso
- 24. Manual do utilizador
- 25. Cablagem

## Símbolos no produto



**AVISO!** Este produto é perigoso. Uma utilização não cuidadosa e incorreta poderá provocar ferimentos ou a morte do operador ou de terceiros. Para evitar ferimentos ao operador ou a terceiros, leia e cumpra todas as instruções de segurança do manual do utilizador. Leia o manual do utilizador com atenção e certifique-se de que compreende as instruções antes de utilizar o produto.



Utilize um capacete de proteção em locais onde possam cair objetos sobre si. Utilize protetores acústicos aprovados. Utilize proteção ocular aprovada.



Utilize luvas de proteção aprovadas.



O produto está em conformidade com as diretivas CE aplicáveis.



Tensão nominal, V



Corrente contínua.



Evite expô-las à chuva.



Mantenha as mãos afastadas da lâmina.



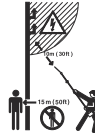
Função telescópica.



Função de divisão.



Rode para a esquerda para soltar o manípulo e rode para a direita para apertar o manípulo.



Este produto não possui isolamento. Se o produto entrar em contacto com cabos elétricos de alta tensão ou se se aproximar dos mesmos, pode provocar morte ou ferimentos graves. A corrente pode fluir de um ponto para outros sob a forma de arco voltaico. Quanto maior for a tensão, maior a distância que a corrente pode percorrer. A corrente também pode percorrer ramos e outros objetos, especialmente se estiverem molhados. Mantenha sempre uma distância mínima de 10 m entre o produto e os cabos elétricos de alta tensão e/ou todos os objetos em contacto com os mesmos. No caso de ter de trabalhar com uma distância de segurança mais curta, contacte sempre a empresa de fornecimento de energia elétrica, para assegurar que a tensão está desligada antes de iniciar o trabalho. Mantenha pessoas ou animais a uma distância mínima de 15 m durante o funcionamento.

yyyywwxxxx

A etiqueta de tipo apresenta o número de série. **aaaa** é o ano de fabrico, **ss** é a semana de fabrico.

**Nota:** Os restantes símbolos/autocolantes existentes no produto dizem respeito às exigências de homologação de alguns países.

## Símbolos na bateria e/ou no carregador da bateria



Recicle este produto numa estação de reciclagem para equipamentos elétricos e eletrónicos. (Válido unicamente na Europa)



Transformador contra-falhas.



Utilize e armazene o carregador da bateria apenas em espaços interiores.



Isolamento duplo.

## Responsabilidade pelo produto

Como referido nas leis de responsabilidade pelo produto, não somos responsáveis por danos causados pelo nosso produto se:

- o produto tiver sido incorretamente reparado.
- o produto tiver sido reparado com peças que não sejam do fabricante ou que não sejam aprovadas pelo fabricante.

- o produto tiver um acessório que não seja do fabricante ou que não seja aprovado pelo fabricante.
- o produto não tiver sido reparado por um centro de assistência autorizado ou por uma autoridade aprovada.

---

## Segurança

---

### Definições de segurança

Os avisos, as precauções e as notas são utilizados para indicar partes especialmente importantes do manual.



**ATENÇÃO:** Utilizado no caso de existir risco de ferimento ou morte para o utilizador ou transeuntes, se não forem respeitadas as instruções do manual.



**CUIDADO:** Utilizado se existir risco de danos para o produto, para outros materiais ou para a área adjacente, se não forem respeitadas as instruções do manual.

**Nota:** Utilizado para disponibilizar informações adicionais necessárias numa determinada situação.

### Avisos gerais de segurança da ferramenta eléctrica



**ATENÇÃO:** Leia todos os avisos de segurança e todas as instruções. O incumprimento dos avisos e das instruções poderá resultar em choques eléctricos, incêndios e/ou ferimentos graves.

**Nota:** Guarde todos os avisos e instruções para referência futura. O termo "ferramenta eléctrica" nos avisos refere-se à sua ferramenta eléctrica com ligação à corrente (com cabo) ou ferramenta eléctrica com bateria (sem cabo).

### Segurança no local de trabalho

- **Mantenha a área de trabalho limpa e bem iluminada.** Áreas desarrumadas ou escuras convidam ao acidente.
- **Não maneje ferramentas eléctricas em ambientes explosivos, tal como na presença de líquidos inflamáveis, gases ou poeiras.** As ferramentas eléctricas criam faíscas que podem poeiras ou gases.

- **Mantenha as crianças e restantes pessoas afastadas enquanto maneja uma ferramenta eléctrica.** As distrações podem fazê-lo perder o controlo.

### Segurança no manejo de eletricidade

- **As fichas das ferramentas eléctricas têm de corresponder à tomada eléctrica. Nunca modifique a ficha de qualquer forma. Não utilize quaisquer fichas adaptadoras com ferramentas eléctricas ligadas à terra.** As fichas inalteradas e as tomadas correspondentes reduzem o risco de choque eléctrico.
- **Evite o contacto corporal com superfícies ligadas à terra, tais como tubos, radiadores, fogões e frigoríficos.** Existe um risco acrescido de choque eléctrico se o seu corpo estiver em contacto com a terra.
- **Não exponha ferramentas eléctricas a chuva ou condições de elevada humidade.** A entrada de água numa ferramenta eléctrica aumenta o risco de choque eléctrico.
- **Não danifique o fio eléctrico. Nunca utilize o cabo eléctrico para transportar, puxar ou desligar a ferramenta eléctrica da tomada. Mantenha o cabo eléctrico afastado de fontes de calor, óleo, arestas afiadas ou de peças em movimento.** Os fios eléctricos danificados ou emaranhados aumentam o risco de choque eléctrico.
- **Ao operar uma ferramenta eléctrica no exterior, utilize um cabo de extensão adequado para utilização em exteriores.** A utilização de um cabo eléctrico adequado para utilização no exterior reduz o risco de choque eléctrico.
- **Se não puder evitar operar uma ferramenta eléctrica em locais húmidos, utilize uma fonte de alimentação com corta-circuito com um dispositivo de corrente residual (RDC).** A utilização de um dispositivo de corrente residual (RCD) reduz o risco de choque eléctrico.

### Segurança pessoal

- **Mantenha-se alerta, tenha atenção ao que está a fazer e use o bom senso ao operar uma ferramenta eléctrica. Não utilize uma ferramenta eléctrica se estiver cansado ou sob a influência de drogas, álcool ou medicação.** Um momento de desatenção

durante o manejo de ferramentas eléctricas pode resultar em lesões pessoais graves.

- **Use equipamento de proteção pessoal. Use sempre proteção ocular.** A utilização de equipamento de proteção como máscara antipoeira, calçado de segurança antiderrapante, capacete ou protetores acústicos nas condições apropriadas irá reduzir os ferimentos pessoais.
- **Prevenção de arranque não intencional. Certifique-se de que o interruptor se encontra desligado antes de ligar à fonte de alimentação e/ou à bateria, de pegar ou transportar a ferramenta.** Transportar ferramentas eléctricas com o dedo no interruptor ou ligar ferramentas eléctricas à corrente eléctrica com o interruptor ligado é um convite aos acidentes.
- **Remova qualquer chave de ajuste ou chave de porcas antes de ligar a ferramenta à corrente eléctrica.** Uma chave de porcas ou uma chave ligada a uma peça em rotação da ferramenta eléctrica pode resultar em lesões pessoais.
- **Não se debruce. Mantenha o equilíbrio e os pés sempre bem assentes.** Isto permite um melhor controlo da ferramenta eléctrica em situações inesperadas.
- **Vista-se adequadamente. Não use peças de roupa soltas ou jóias. Mantenha o cabelo e roupas longe de quaisquer peças em movimento.** Roupas soltas, jóias ou cabelo comprido podem ser apanhados nas peças em movimento.
- **Se forem fornecidos dispositivos para a ligação de equipamentos de extração e de recolha de poeiras, assegure-se de que estes estão ligados e são utilizados corretamente.** A utilização da recolha de poeiras pode reduzir os riscos relacionados co poeiras.
- **Siga sempre os princípios de segurança das ferramentas, mesmo que já esteja familiarizado com as ferramentas, devido à utilização frequente das mesmas.** Uma ação descuidada pode provocar ferimentos graves numa fração de segundo.
- A emissão de vibrações durante a utilização da ferramenta pode ser diferente do valor total declarado, dependendo da forma como a ferramenta é utilizada. Os operadores devem identificar as medidas de segurança necessárias à sua protecção, com base numa estimativa de exposição em condições reais de utilização (tendo em conta todas as fases do ciclo de operação, tais como o número de vezes que a ferramenta é ligada e desligada e quando está em rotação em vazio ou activada).

## Utilização e manutenção de ferramentas eléctricas

- **Não force a ferramenta eléctrica. Use a ferramenta eléctrica correcta para a sua aplicação.** A ferramenta eléctrica correcta fará um trabalho melhor e mais seguro ao ritmo para o qual foi desenhada.
- **Não use a ferramenta eléctrica se o interruptor não ligar ou desligar.** Qualquer ferramenta eléctrica que

não possa ser controlada com o interruptor é perigosa e tem de ser reparada.

- **Desligue a ficha da fonte de alimentação eléctrica e/ou baterias da ferramenta eléctrica antes de fazer qualquer ajuste, mudar acessórios ou guardar ferramentas eléctricas.** Estas medidas de prevenção reduzem o risco de ligar a ferramenta eléctrica acidentalmente.
- **Guarde ferramentas eléctricas que não estão na ser utilizadas fora do alcance das crianças e não permita que qualquer pessoa não familiarizada com a ferramenta eléctrica ou com as suas instruções maneje a ferramenta eléctrica.** As ferramentas eléctricas são perigosas nas mãos de utilizadores inexperientes.
- **Faça a manutenção às ferramentas eléctricas. Verifique quanto a desalinhamentos ou bloqueio de peças móveis, danos de peças e qualquer outra condição que possa afectar o funcionamento da ferramenta eléctrica. Se estiver danificada, repare a ferramenta eléctrica antes de a usar.** Muitos acidentes são causados por ferramentas eléctricas com má manutenção.
- **Mantenha as ferramentas de corte afiadas e limpas.** Ferramentas de corte com as zonas de corte afiadas e bem mantidas têm menos probabilidades de bloquear e são mais fáceis de controlar.
- **Use a ferramenta eléctrica, acessórios e brocas, etc. de acordo com estas instruções, tomando em consideração as condições de funcionamento e o trabalho a ser executado.** A utilização da ferramenta eléctrica para operações diferentes das previstas pode resultar numa situação perigosa.
- **Mantenha os punhos e as superfícies onde se segura secos, limpos e sem óleo nem massa lubrificante.** As superfícies onde se segura e os punhos escorregadios não permitem um controlo e um manuseamento seguros do produto em situações inesperadas.

## Utilização e manutenção da bateria

- **Recarregue a bateria apenas com o carregador especificado pelo fabricante.** Um carregador adequado para um tipo de bateria pode criar risco de incêndio quando usado com outra bateria.
- **Use ferramentas eléctricas apenas com as baterias concebidas para as mesmas.** A utilização de quaisquer outras baterias pode criar risco de ferimentos e incêndio.
- **Quando a bateria não está a ser utilizada, mantenha-a afastada de outros objetos metálicos, como clips, moedas, chaves, pregos, parafusos ou outros objetos metálicos pequenos que possam fazer a ligação entre os dois terminais.** Provocar curto-circuitos nos terminais das baterias pode provocar queimaduras ou um incêndio.
- **Em condições extremas, é possível que o líquido da bateria verta; evite o contacto. Se ocorrer algum contacto acidental, lave com água. Se o líquido entrar em contacto com os olhos, procure**

**assistência médica adicional.** O líquido vertido da bateria pode provocar irritações ou queimaduras.

- **Não utilize uma bateria ou uma ferramenta que se encontre danificada ou modificada.** As baterias danificadas ou modificadas podem apresentar um comportamento imprevisível que pode resultar em incêndios, explosões ou ferimentos graves.
- **Não exponha uma bateria ou uma ferramenta a fogo ou temperaturas excessivas.** A exposição a incêndios ou a temperaturas acima de 130 °C/ 265 °F pode provocar uma explosão.
- **Siga todas as instruções de carregamento e não carregue a bateria ou a ferramenta fora do intervalo de temperatura especificado nas instruções.** Os carregamentos impróprios ou a temperaturas fora do intervalo especificado podem danificar a bateria e aumentar o risco de incêndio.

## Assistência

- **Garanta que a manutenção da sua ferramenta elétrica é efetuada por um técnico de reparações qualificado e que utilize apenas peças de substituição idênticas.** Isto irá assegurar que a segurança das ferramentas eléctricas é mantida.
- **Nunca deve efetuar a manutenção de baterias danificadas.** A manutenção das baterias deve ser efetuada apenas pelo fabricante ou por prestadores de serviços autorizados.

## Instruções de segurança do corta-sebes

- **Mantenha todas as partes do corpo afastadas da lâmina. Não retire material cortado nem segure no material que estiver a ser cortado quando as lâminas estiverem a funcionar.** As lâminas continuam a rodar após o interruptor ser desligado. Um momento de desatenção durante o manuseamento do corta-sebes pode resultar em ferimentos pessoais graves.
- **Transporte o corta-sebes segurando pelo punho, com a lâmina parada e com cuidado para não acionar nenhum interruptor.** Transportar o corta-sebes corretamente reduz o risco de arranque acidental do produto e consequentes ferimentos pessoais causados pelas lâminas.
- **Quando transportar ou armazenar o corta-sebes coloque sempre a cobertura da lâmina.** Manusear o corta-sebes corretamente reduz o risco de ferimentos pessoais causados pelas lâminas.
- **Quando estiver a retirar material encastrado ou a realizar a manutenção da unidade, certifique-se de que todos os interruptores estão desligados assim como o fio de alimentação.** O acionamento inesperado do corta-sebes enquanto é efetuada a remoção de material encastrado ou a manutenção pode resultar em ferimentos pessoais graves.
- **Segure no corta-sebes apenas pelas superfícies de agarar isoladas, uma vez que a lâmina pode entrar em contacto com fios elétricos ocultos ou com o seu próprio fio elétrico.** O contacto das lâminas com um cabo com tensão pode energizar as peças metálicas

expostas do corta-sebes e, assim, provocar um choque elétrico no operador.

- **Mantenha todos os fios de alimentação e outros cabos afastados da área de corte.** Os cabos ou fios elétricos podem estar ocultos em sebes ou arbustos e podem ser acidentalmente cortados pela lâmina.
- **Não utilize o corta-sebes em condições climáticas adversas, especialmente se existir o risco de relâmpagos.** Isto diminui o risco de ser atingido por relâmpagos.
- **Para reduzir o risco de eletrocussão, nunca utilize o corta-sebes de alcance alargado na proximidade de cabos elétricos.** A utilização junto a linhas de energia elétrica ou o contacto com as mesmas poderá originar ferimentos graves ou choques elétricos resultantes em morte.
- **Utilize sempre as duas mãos quando estiver a trabalhar com o corta-sebes de alcance alargado.** Segure o corta-sebes de alcance alargado com as duas mãos para evitar perder o controlo.
- **Utilize sempre proteção para a cabeça quando trabalhar com o corta-sebes de alcance alargado por cima da cabeça.** A queda de detritos pode causar ferimentos pessoais graves.

## Instruções de segurança gerais



**ATENÇÃO:** Leia as instruções de aviso que se seguem antes de utilizar o produto.

- Remova a bateria para evitar que o produto comece acidentalmente a funcionar.
- Se o utilizador não for cuidadoso ou se o produto for utilizado de forma incorreta, este produto é uma ferramenta perigosa. Este produto pode provocar ferimentos graves ou a morte do operador ou terceiros.
- Não utilize o produto se este for alterado da sua especificação inicial. Não altere uma parte do produto sem a aprovação do fabricante. Utilize apenas peças que sejam aprovadas pelo fabricante. Ferimentos ou morte são resultados possíveis de manutenção incorreta.
- Verifique o produto antes de o utilizar. Consulte as secções *Dispositivos de segurança no produto na página 169* e *Manutenção na página 174*. Não utilize um produto danificado. Efetue as verificações de segurança e cumpra as instruções de manutenção e assistência técnica descritas neste manual.
- As crianças devem ser vigiadas para garantir que não brincam com o produto. Não permita em circunstância alguma que uma criança ou outras pessoas que não saibam utilizar o produto e/ou a bateria o utilizem ou realizem operações de manutenção. A legislação local pode regular a idade do utilizador permitida.
- Mantenha o produto numa área trancada para impedir o acesso a crianças ou pessoas que não disponham de aprovação.

- Mantenha o produto fora do alcance de crianças.
- Não é permitido modificar, em circunstância alguma, a configuração original do produto sem a autorização expressa do fabricante. Utilize sempre acessórios originais. A realização de modificações e/ou a utilização de acessórios não autorizados podem provocar ferimentos pessoais graves ou a morte do utilizador ou terceiros.

**Nota:** A utilização pode estar sujeita a legislação nacional ou local. Respeite os regulamentos estabelecidos.

## Instruções de segurança para funcionamento

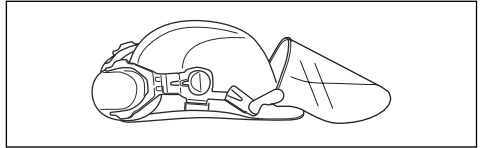


**ATENÇÃO:** Leia as instruções de aviso que se seguem antes de utilizar o produto.

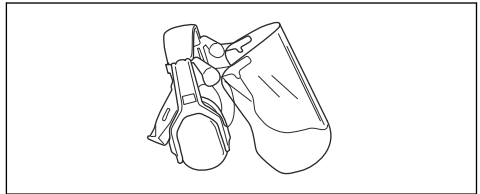
- Se tiver alguma dúvida relativa ao procedimento a seguir, entre em contacto com um técnico especialista. Dirija-se ao seu revendedor ou à sua oficina autorizada. Não utilize funções da máquina para as quais não está preparado.
- Nunca utilize o produto quando estiver cansado, sob o efeito de álcool ou drogas, tiver tomado medicamentos ou outros produtos que possam afetar a sua visão, atenção, coordenação ou discernimento.
- Trabalhar em más condições meteorológicas é cansativo e muitas vezes traz riscos acrescidos. Devido ao risco acrescido, não se recomenda a utilização da máquina em condições meteorológicas adversas, por exemplo, nevoeiro denso, chuva intensa, ventos fortes, frio intenso ou risco de trovoada, etc.
- Um equipamento de corte defeituoso pode aumentar o risco de acidentes.
- Não permita que uma criança utilize o produto ou se encontre na proximidade do mesmo. Uma vez que o produto se liga facilmente, as crianças podem conseguir ligá-lo se não forem vigiadas em permanência. Isto pode implicar um risco de ferimentos pessoais graves. Desligue a bateria quando o produto não estiver sob vigilância.
- Certifique-se de que não existem pessoas ou animais a uma distância inferior a 15 metros enquanto trabalha. Sempre que vários operadores se encontrem a trabalhar em simultâneo no mesmo local, a distância de segurança deve ser, no mínimo, de 15 metros. Caso contrário, existe um risco de ferimentos pessoais graves. Pare imediatamente o produto se alguém se aproximar. Nunca balance o produto à sua volta sem verificar se está alguém na zona de segurança.
- Certifique-se de que não existem pessoas, animais ou outras coisas que possam afetar o seu controlo do produto, ou que estes não entrem em contacto com o acessório de corte ou objetos soltos que possam ser projetados pelo acessório de corte. Contudo, não utilize o produto num local em que não seja possível pedir ajuda em caso de acidente.
- Inspeccione sempre a área de trabalho. Remova objetos soltos, tais como pedras, pedaços de vidro, pregos, arame, cordas, etc., que possam ser arremessados ou enredar-se no acessório de corte.
- Certifique-se de que pode andar e estar de pé com segurança. Tenha cuidado com eventuais obstáculos (raízes, pedras, ramos, valas, etc.) em caso de deslocamento inesperado. Tenha muito cuidado ao trabalhar em terreno inclinado.
- Mantenha sempre um bom equilíbrio e os pés bem apoiados. Não se debruce.
- Antes de se deslocar para outra área, desative o produto. Fixe a proteção para transporte quando o produto não estiver a ser utilizado.
- Nunca pouse o produto sem o ter desativado. Não deixe o produto sem supervisão quando este estiver ligado.
- Retire a bateria antes de passar o produto a outra pessoa.
- Certifique-se de que o vestuário ou partes do corpo não entram em contacto com o equipamento de corte quando o produto está ativo.
- Se o acessório de corte ficar encravado durante o funcionamento do produto, pare-o e desative-o. Certifique-se de que o acessório de corte para completamente. Retire a bateria antes de limpar, inspecionar ou reparar o produto e/ou o equipamento de corte.
- Mantenha as mãos e os pés afastados do equipamento de corte até que este pare completamente quando o produto é desativado.
- Durante a operação de corte, tome cuidado com galhos que possam ser projetados. Não efetue cortes demasiado junto ao solo onde existam pedras e outros objetos que possam ser projetados.
- Atenção a objetos arremessados. Utilize sempre proteção ocular aprovada. Nunca se incline sobre a proteção do equipamento de corte. Pedras, lixo, etc., podem ser arremessados contra os olhos, o que pode causar cegueira ou ferimentos graves.
- Quando estiver a utilizar protetores acústicos, esteja atento a sinais de aviso ou gritos. Retire sempre os protetores acústicos assim que o produto parar.
- Nunca trabalhe de uma escada, banco ou qualquer outra posição elevada, que não seja completamente segura.
- esta máquina produz um campo eletromagnético durante o funcionamento. Em determinadas circunstâncias, este campo pode interferir com o funcionamento de implantes médicos ativos ou passivos. Para reduzir o risco de ferimentos graves ou mortais, recomendamos que os portadores de implantes médicos consultem o seu médico e o fabricante do implante antes de utilizar a máquina.

- Segure sempre o produto com as duas mãos. Mantenha o produto do lado direito do seu corpo.
- Desligue sempre o produto, retire a bateria e certifique-se de que o equipamento de corte não está em rotação antes de remover o material enredado no eixo da lâmina ou preso entre a proteção e o equipamento de corte.
- O campo eletromagnético durante o funcionamento pode interferir com os implantes médicos ativos ou passivos. Antes de utilizarem este produto, os portadores de implantes médicos devem consultar os respectivos médicos e fabricantes dos implantes.
- Suporte o peso do produto com a correia para que seja mais fácil de utilizar.
- A exposição prolongada a ruídos pode provocar danos auditivos permanentes. A Husqvarna recomenda que os operadores utilizem protetores acústicos aprovados.
- Nunca utilize um produto cujas especificações originais tenham sido alteradas.
- Nunca utilize um produto defeituoso. Efectue as verificações de segurança e cumpra as instruções de manutenção e assistência técnica contidas neste manual. Alguns serviços de manutenção e de assistência técnica têm de ser executados por especialistas formados e qualificados. Consulte as instruções na secção sobre manutenção.
- Efectue uma inspeção geral do produto antes de o utilizar. Observe o esquema de manutenção.
- Nunca permita que outra pessoa utilize a máquina sem estar certo de que a mesma leu e entendeu o conteúdo do manual de instruções.
- Verifique a área de trabalho quanto à presença de objetos estranhos, tais como cabos elétricos e animais, etc., ou outros objetos que possam danificar o equipamento de corte, como itens metálicos.
- Facas defeituosas podem aumentar o risco de acidente.

- Utilize um capacete de proteção caso exista o risco de objetos em queda.

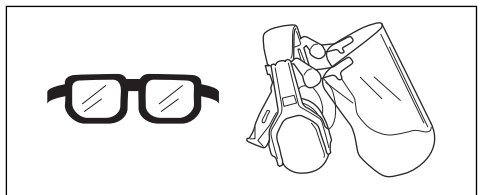


- A exposição prolongada a ruídos pode provocar danos auditivos. De modo geral, os produtos alimentados a bateria são relativamente silenciosos; porém, podem ocorrer danos resultantes de uma combinação de nível de ruído e utilização prolongada. A Husqvarna recomenda que os operadores utilizem protetores acústicos aquando da utilização prolongada de produtos ao longo do dia. Os operadores que utilizam contínua e regularmente estes produtos devem efetuar exames regulares à audição.

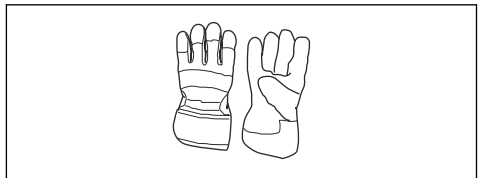


**ATENÇÃO:** Os protetores acústicos limitam a capacidade de ouvir sons e sinais de aviso.

- Utilize proteção ocular aprovada. Mesmo com viseira, é necessário utilizar óculos de proteção aprovados. Consideram-se óculos de proteção aprovados os que estejam conformes com a norma ANSI Z87.1 nos EUA ou EN 166 nos países da UE.



- Use luvas sempre que necessário, por exemplo, ao fixar, examinar ou limpar o acessório de corte.



- Utilize vestuário fabricado com um tecido resistente. Utilize sempre calças e mangas compridas grossas. Não utilize vestuário largo que possa ficar preso em

## Equipamento de proteção pessoal



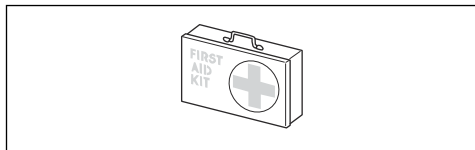
**ATENÇÃO:** Leia as instruções de aviso que se seguem antes de utilizar o produto.

- Utilize sempre equipamento de proteção pessoal aprovado ao utilizar o produto. O equipamento de proteção pessoal não previne totalmente os ferimentos mas diminui a respetiva gravidade em caso de acidente. Obtenha ajuda junto do seu concessionário para selecionar o equipamento certo.



galhos e ramos. Não utilize joias, calções, nem ande de sandálias ou descalço. Coloque o seu cabelo acima dos ombros para maior segurança.

- Mantenha equipamentos de primeiros socorros sempre à mão.



## Dispositivos de segurança no produto



**ATENÇÃO:** Leia as instruções de aviso que se seguem antes de utilizar o produto.

Nesta secção, descrevem-se os componentes de segurança do produto, a sua função e ainda a forma de efetuar a verificação e manutenção para garantir o funcionamento correto do mesmo. Para localizar estes componentes no seu produto, consulte as instruções na secção *Vista geral do produto na página 162*.

Se a manutenção do produto não for devidamente efetuada, e se a assistência e/ou as reparações não forem realizadas por profissionais, a vida útil do produto pode ser afetada e o risco de acidentes pode aumentar. Para obter mais informações, contacte o seu revendedor local.



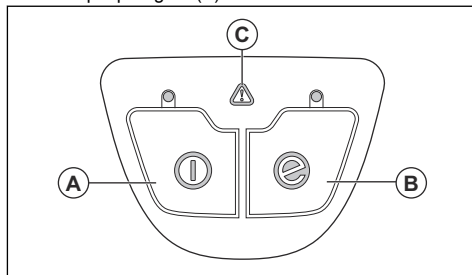
**ATENÇÃO:** Nunca use um produto com equipamento de segurança defeituoso. O equipamento de segurança do produto tem de ser inspecionado e a sua manutenção feita conforme se descreve nesta secção. Se o produto falhar alguma destas verificações, entre em contacto com uma oficina autorizada para a sua reparação.



**CUIDADO:** toda a assistência e reparação da máquina requer formação especializada. Isto aplica-se especialmente ao equipamento de segurança da máquina. Se a máquina falhar alguma das verificações que se seguem, procure a sua oficina autorizada. A compra de qualquer um dos nossos produtos garante-lhe a obtenção de reparação e assistência profissionais. Se o local da compra da máquina não for um dos nossos revendedores com assistência técnica, consulte a oficina autorizada mais próxima.

## Verificar o teclado

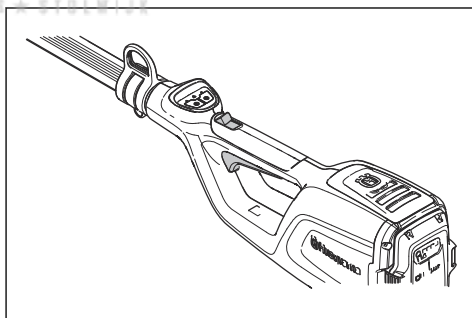
1. Pressione e mantenha pressionado o botão de arranque/paragem (A).



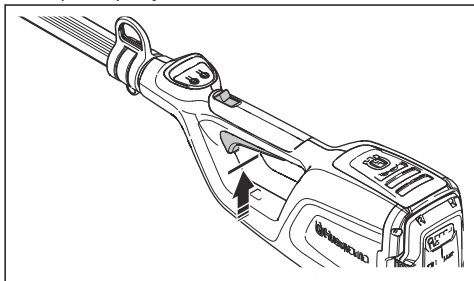
- a) O produto está ligado quando o LED está aceso.
  - b) O produto está desligado quando o LED está apagado.
2. Consulte *Ativar a função SavE na página 174* para obter informações sobre a função do botão SavE (B).
  3. Consulte *Resolução de problemas na página 176* se o indicador de aviso (C) estiver aceso ou intermitente.

## Verificar o bloqueio do interruptor de alimentação

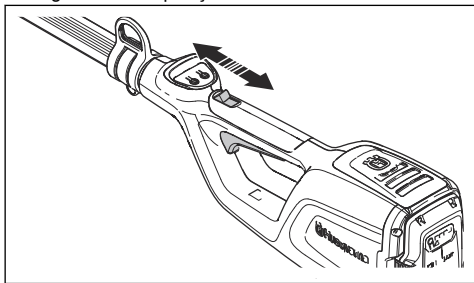
O bloqueio do interruptor de alimentação impede o funcionamento acidental. Quando solta o punho, o interruptor de alimentação e o respetivo bloqueio regressam às suas posições iniciais.



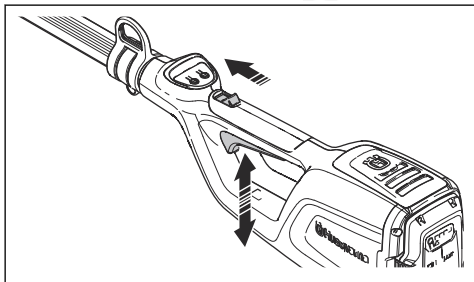
1. Certifique-se de que o interruptor de alimentação está bloqueado quando o bloqueio se encontra na respetiva posição inicial.



2. Puxe e solte o bloqueio e certifique-se de que este regressa à sua posição inicial.



3. Certifique-se de que o interruptor de alimentação e o bloqueio se deslocam livremente e de que a mola de retorno funciona corretamente.



4. Ligue o produto; consulte *Arranque na página 173*.
5. Aplique a velocidade máxima.
6. Solte o interruptor de alimentação e certifique-se de que o acessório de corte para completamente.

## Segurança da bateria



**ATENÇÃO:** Leia as instruções de aviso que se seguem antes de utilizar o produto.

- A bateria recomendada é a BLi10. Consulte *Especificações técnicas na página 177*. A bateria tem software encriptado.

- Utilize a bateria BLi10 recarregável como fonte de alimentação apenas para os produtos Husqvarna relacionados. Para evitar ferimentos, não utilize a bateria como fonte de alimentação para outros produtos.
- Risco de choque elétrico. Não ligue os terminais da bateria a chaves, moedas, parafusos ou outros metais. Caso contrário, pode provocar um curto-circuito da bateria.
- Não utilize baterias não recarregáveis.
- Não coloque objetos nas aberturas de ventilação da bateria.
- Mantenha a bateria afastada do sol, calor ou de chamas abertas. A bateria pode causar queimaduras e/ou queimaduras químicas.
- Mantenha a bateria afastada de chuva e condições de humidade.
- Mantenha a bateria afastada de micro-ondas e alta pressão.
- Não tente desmontar ou partir a bateria.
- Em caso de fuga da bateria, evite o contacto do líquido com a pele ou com os olhos. Em caso de contacto com o líquido, limpe a área com água e sabão abundantes e procure assistência médica. Se o líquido entrar em contacto com os olhos, não os esfregue; lave os olhos com água durante, pelo menos, 15 minutos e procure assistência médica.
- Utilize a bateria a temperaturas entre -10 °C (14 °F) e 40 °C (114 °F).
- Não limpe a bateria ou o carregador com água. Consulte *Limpar o produto, a bateria e o carregador da bateria na página 175*.
- Não utilize uma bateria danificada ou com defeito.
- Mantenha as baterias armazenadas afastadas de objetos metálicos como, por exemplo, pregos, parafusos ou joias.
- Mantenha as baterias afastadas de crianças.

## Segurança do carregador de bateria



**ATENÇÃO:** Leia as instruções de aviso que se seguem antes de utilizar o produto.

- Risco de choque elétrico ou curto-circuito se as instruções de segurança não forem cumpridas.
- Não utilize outros carregadores de baterias que não o fornecido para o seu produto. Ao carregar a bateria BLi10, o carregador recomendado é o QC80.
- Não tente desmontar o carregador da bateria.
- Não utilize um carregador da bateria que esteja com defeito ou danificado.
- Não utilize o cabo de alimentação para levantar o carregador da bateria. Para desligar o carregador da bateria de uma tomada elétrica, puxe a ficha. Não puxe o cabo de alimentação.
- Mantenha todos os cabos e cabos de extensão afastados de água, óleo e arestas afiadas. Certifique-se de que o cabo não fica entalado em

- objetos como, por exemplo, portas, cercas ou objetos equivalentes.
- Não utilize o carregador da bateria próximo de materiais inflamáveis ou materiais que possam provocar corrosão. Certifique-se de que o carregador da bateria não está coberto. Em caso de fumo ou fogo, desligue o carregador da bateria da tomada.
  - Carregue a bateria apenas em espaços interiores, com um bom fluxo de ar e sem exposição à luz solar. Não carregue a bateria no exterior. Não carregue a bateria em condições de humidade.
  - Utilize apenas o carregador da bateria onde a temperatura se encontrar entre 5 °C (41 °F) e 40 °C (104 °F). Utilize o carregador em ambientes bem ventilados, secos e isentos de poeiras.
  - Não coloque objetos nas aberturas de arrefecimento do carregador da bateria.
  - Não ligue os terminais do carregador da bateria a objetos metálicos, uma vez que pode provocar um curto-circuito no carregador da bateria.
  - Utilize tomadas de eletricidade aprovadas e que não se encontrem danificadas. Certifique-se de que o cabo do carregador da bateria não está danificado. Se forem utilizados cabos de extensão, certifique-se de que os mesmos não estão danificados.

## Instruções de segurança para manutenção



**ATENÇÃO:** Leia as instruções de aviso que se seguem antes de efetuar tarefas de manutenção no produto.

- Retire a bateria antes de efetuar tarefas de manutenção, outras verificações, ou de montar o produto.
- O operador só pode efetuar as tarefas de manutenção e assistência descritas neste manual do utilizador. Contacte o seu revendedor com assistência técnica para tarefas de manutenção e assistência de maior extensão.
- Não limpe a bateria ou o carregador com água. Os detergentes fortes podem danificar o plástico.
- Se não proceder à manutenção, irá diminuir o ciclo de vida do produto e aumentar o risco de acidentes.
- É necessária formação especializada para todos os trabalhos de assistência e reparação, especialmente para os dispositivos de segurança do produto. Se, após efetuar tarefas de manutenção, nem todas as verificações deste manual forem aprovadas, contacte o seu revendedor com assistência técnica. Garantimos que existem reparações e assistência profissionais disponíveis para o seu produto.
- Mantenha sempre os dentes de corte da lâmina bem afiados. Respeite as nossas recomendações. Consulte também as instruções na embalagem da lâmina.
- Utilize sempre peças sobresselentes originais.
- Utilize sempre luvas resistentes durante trabalhos de reparação do equipamento de corte. As lâminas são muito afiadas e podem causar facilmente cortes.

## Montagem

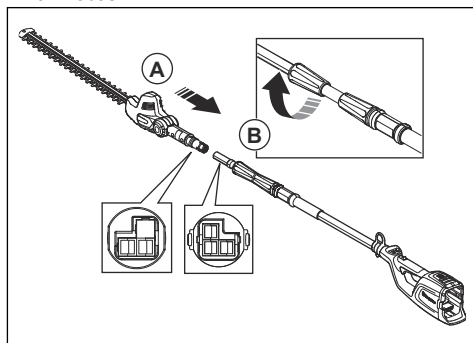
### Introdução



**ATENÇÃO:** Certifique-se de que lê e compreende o capítulo sobre segurança antes de montar o produto.

### Montar o eixo

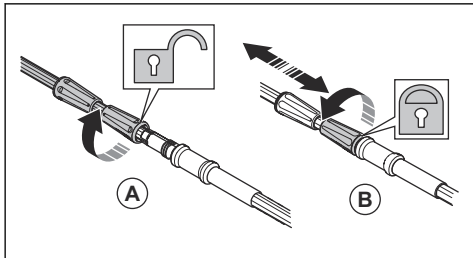
1. Certifique-se de que as fichas elétricas estão alinhadas.



2. Ligue completamente as extremidades do eixo (A).
3. Aperte o manípulo de enroscar do lado da cabeça do corta-sebes do eixo (B).

## Para ajustar o comprimento do eixo

1. Desaperte o manípulo de enroscar do lado da caixa da bateria do eixo (A).



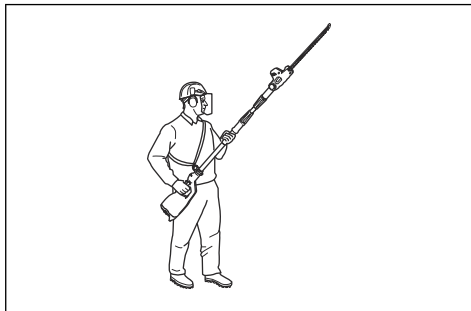
2. Ajuste o eixo para que fique num comprimento aplicável.
3. Aperte o manípulo de enroscar (B).

## Ajustar a correia

Utilize sempre a correia quando utilizar o produto. A correia permite um controlo máximo durante a utilização

do produto. A correia permite reduzir o risco de cansaço nos braços e nas costas.

1. Pegue no suporte.
2. Prenda o produto ao gancho de suspensão da correia.
3. Ajuste o comprimento da correia até que o gancho de suspensão fique mais ou menos nivelado com a sua anca direita.



## Funcionamento

### Introdução



**ATENÇÃO:** Certifique-se de que lê e compreende o capítulo sobre segurança antes de usar o produto.

### Antes de ligar o produto

1. Examine a área de trabalho. Retire os objetos que possam ser projetados.
2. Examine o equipamento de corte. Certifique-se de que as lâminas estão afiadas e não apresentam fissuras nem danos.
3. Certifique-se de que o produto funciona corretamente. Verifique se todos os parafusos e porcas estão apertados corretamente.
4. Certifique-se de que o punho e os dispositivos de segurança não apresentam danos e estão corretamente fixados. Não utilize um produto com peças em falta ou cujas especificações iniciais tenham sido alteradas. Utilize luvas de proteção quando necessário.
5. Antes de utilizar o produto, certifique-se de que as coberturas não apresentam danos e estão corretamente fixadas.

2. Coloque a ficha numa tomada elétrica de ligação à terra. O LED do carregador da bateria pisca a verde uma vez.

**Nota:** A bateria não carrega se a temperatura da bateria for superior a 50 °C/122 °F. Se a temperatura for superior a 50 °C/122 °F, o carregador da bateria arrefece a bateria antes do respetivo carregamento.

### Ligar a bateria ao carregador da bateria

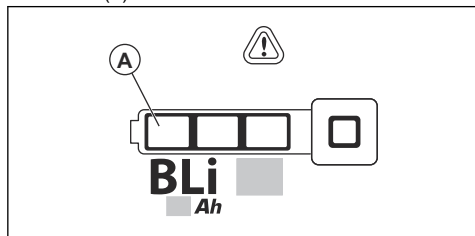
**Nota:** Carregue a bateria se se tratar da primeira vez que a utiliza. Uma bateria nova tem apenas 30% de carga.

1. Certifique-se de que a bateria está seca.
2. Ligue a bateria ao carregador da bateria.
3. Certifique-se de que a luz verde de carga do carregador da bateria se acende. Isso significa que a bateria se encontra corretamente ligada ao carregador da bateria.

### Ligar o carregador da bateria

1. Ligue o carregador da bateria a uma rede elétrica com tensão e frequência que estejam especificadas na etiqueta de tipo.

4. A bateria está totalmente carregada quando todos os LED (A) se acenderem.



5. Para desligar o carregador da bateria da tomada elétrica, puxe a ficha. Não puxe o cabo.
6. Retire a bateria do carregador da bateria.

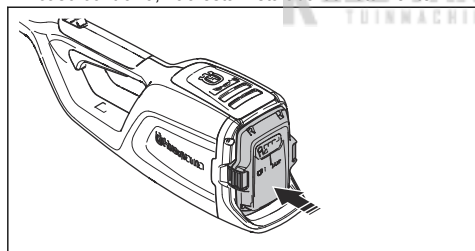
**Nota:** Consulte os manuais da bateria e do carregador da bateria para obter mais informações.

## Para encaixar a bateria no produto



**ATENÇÃO:** Utilize apenas baterias Husqvarna originais no produto.

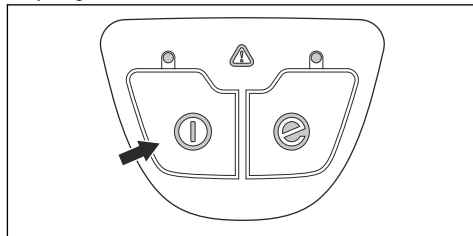
1. Certifique-se de que a bateria está completamente carregada.
2. Coloque a bateria no suporte da bateria do produto. A bateria tem de deslizar facilmente para o suporte; caso contrário, não está instalada corretamente.



3. Pressione a parte inferior da bateria e empurre-a para a introduzir completamente no respetivo suporte. A bateria bloqueia na posição pretendida quando se ouve um clique.
4. Certifique-se de que os trincos bloqueiam na posição de forma correta.

## Arranque

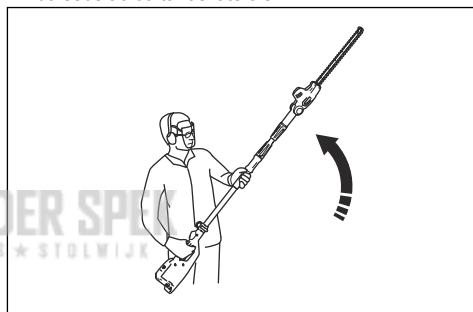
1. Prima e mantenha premido o botão de arranque/paragem até o LED verde se acender.



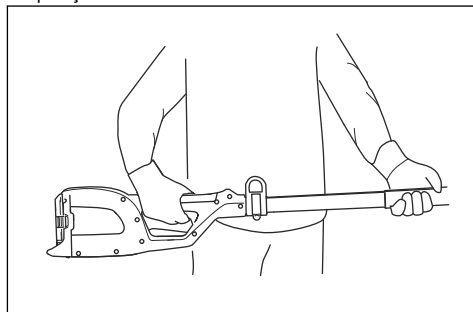
2. Puxe o bloqueio do interruptor de alimentação para trás e mantenha premido o interruptor de alimentação.

## Utilizar o produto

- Comece perto do chão e eleve o produto ao longo da sebe ao cortar as laterais.



- Mantenha o produto perto do corpo para uma posição de trabalho estável.

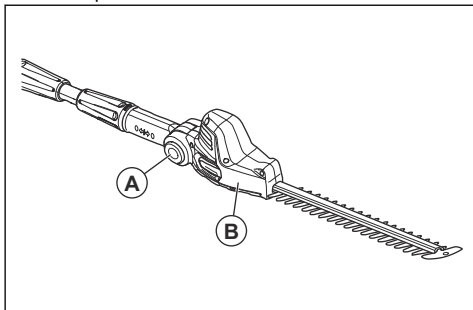


- Certifique-se de que a extremidade do equipamento de corte não toca no chão.
- Seja cuidadoso e trabalhe devagar até que todos os ramos estejam corretamente cortados.

## Ajustar o ângulo do acessório de corte

O acessório de corte pode ser ajustado para 7 posições diferentes.

1. Pare o produto e retire a bateria.

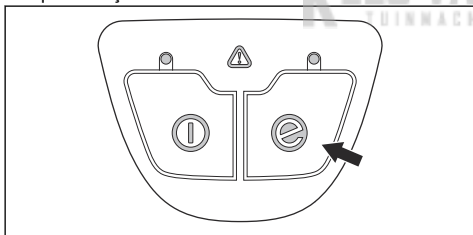


2. Segure bem na caixa (B).
3. Prima e mantenha premidos os botões de bloqueio (A) nos 2 lados da caixa (B).
4. Desloque o acessório de corte para o ângulo correto.
5. Solte os botões de bloqueio (A) nos 2 lados.
6. Desloque a caixa (B) para cima e para baixo até o acessório de corte bloquear na devida posição.

### Ativar a função SavE

O produto tem uma função SavE. A função SavE proporciona um tempo de funcionamento da bateria mais longo.

1. Prima o botão SavE. O LED acende-se para indicar que a função está ativa.



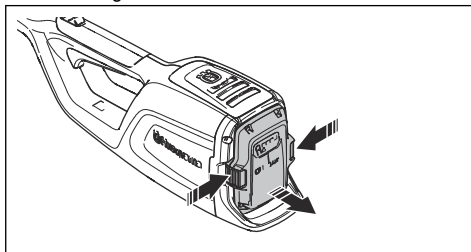
2. Prima o botão SavE novamente para desativar a função SavE.

### Função de desativação automática

O produto tem uma função de desativação automática que desliga o produto, se este não for utilizado. O LED verde da indicação de arranque/paragem apaga-se e o produto para após 60 segundos.

### Desligar o produto

1. Solte o interruptor de alimentação.
2. Prima e mantenha premido o botão start/stop até que o LED verde se desligue.
3. Remova a bateria do produto. Pressione os 2 botões de desengate e retire a bateria.



---

## Manutenção

---

### Introdução



**ATENÇÃO:** Certifique-se de que leu e compreendeu o capítulo sobre segurança antes de realizar tarefas de manutenção no produto.



**ATENÇÃO:** Retire a bateria antes de efetuar a manutenção do produto.

### Esquema de manutenção

A seguinte lista de tarefas de manutenção tem de ser realizada no produto.

Manutenção	Antes de utilizar	Semanalmente	Mensalmente
Limpe os componentes externos do produto.	X		
Verifique se o interruptor de arranque/paragem funciona corretamente e não está danificado.	X		
Certifique-se de que o interruptor de alimentação e o bloqueio do interruptor de alimentação funcionam corretamente e com segurança.	X		
Certifique-se de que todos os controlos funcionam e não estão danificados.	X		
Certifique-se de que a lâmina de corte e a respetiva proteção não apresentam fissuras e que não estão danificadas. Substitua a lâmina de corte ou a respetiva proteção se apresentarem fissuras ou se tiverem sido sujeitas a impactos.	X		
Substitua a lâmina de corte, caso esteja dobrada ou danificada.	X		
Certifique-se de que os parafusos e as porcas estão apertados.	X		
Certifique-se de que a bateria não está danificada.	X		
Certifique-se de que a bateria está carregada.	X		
Certifique-se de que o carregador da bateria não está danificado.	X		
Certifique-se de que os parafusos que mantêm as lâminas de corte unidas estão bem apertados.		X	
Verifique as ligações entre a bateria e o produto. Verifique a ligação entre a bateria e o carregador da bateria.			X

## Examinar a bateria e o carregador da bateria

1. Examine a bateria quanto à existência de danos, por exemplo, fissuras.
2. Examine o carregador da bateria quanto à existência de danos, por exemplo, fissuras.
3. Certifique-se de que o cabo de ligação do carregador da bateria não está danificado nem apresenta fissuras.

## Limpar o produto, a bateria e o carregador da bateria

1. Limpe o produto com um pano seco após a utilização.
2. Limpe a bateria e o carregador da bateria com um pano seco. Mantenha as calhas de guia da bateria limpas.
3. Certifique-se de que os terminais da bateria e do carregador da bateria se encontram limpos antes de colocar a bateria no carregador da bateria ou no produto.

## Examinar a lâmina de corte

1. Limpe os materiais indesejados das lâminas de corte com um agente de limpeza anticorrosão antes e depois de utilizar o produto.

2. Examine as extremidades da lâmina de corte quanto à existência de danos ou deformações.
3. Utilize uma lima para retirar as rebarbas na lâmina de corte.
4. Certifique-se de que as lâminas de corte se movem livremente.

## Limpar e lubrificar as lâminas

1. Limpe os materiais indesejados das lâminas antes e depois de utilizar o produto.
2. Lubrifique as lâminas antes de longos períodos de armazenamento.

**Nota:** Para mais informações sobre os lubrificantes e os agentes de limpeza recomendados, contacte o seu revendedor com assistência técnica.

## Lubrificar a engrenagem

Aplique massa lubrificante na caixa de engrenagem, se a engrenagem tiver sido desmontada por um revendedor de assistência autorizada.

- Utilize massa lubrificante especial Husqvarna. Para mais informações sobre a massa lubrificante recomendada, contacte o seu revendedor com assistência técnica.

- Utilize apenas uma pequena quantidade de massa lubrificante especial de elevada qualidade.



**CUIDADO:** Não encha completamente a caixa de engrenagem.

## Resolução de problemas

### Teclado

Ecrã de LED	Avarias possíveis	Soluções possíveis
LED de erro intermitente.	Sobrecarga	O acessório de corte não consegue mover-se livremente. Solte o acessório de corte.
O produto não arranca.	Existe sujidade nos conetores da bateria.	Limpe os conetores da bateria com ar comprimido ou um pincel macio.
LED de erro aceso com uma luz vermelha.	É necessário proceder à manutenção do produto	Contacte o seu revendedor de assistência.

### Bateria

Ecrã LED	Avarias possíveis	Ação possível
LED verde intermitente.	Tensão da bateria baixa.	Carregue a bateria.
LED de erro intermitente.	Desvio de temperatura.	Utilize a bateria a temperaturas entre -10°C (14°F) e 40°C (104°F).
	Tensão excessiva.	Certifique-se de que a tensão da rede elétrica coincide com a tensão indicada na etiqueta de tipo do produto.
		Retire a bateria do carregador da bateria.
LED de erro aceso.	Diferença entre células demasiado elevada (1 V).	Contacte o seu revendedor com assistência técnica.

### Carregador da bateria

Problema	Avarias possíveis	Solução possível
LED vermelho de erro intermitente.	Desvio de temperatura.	Utilize o carregador da bateria a temperaturas entre 5 °C (41 °F) e 40 °C (104 °F).
LED vermelho de erro aceso.	Diferença entre células excessiva (1 V).	Contacte o seu revendedor com assistência técnica.



# Transporte, armazenamento e eliminação

## Transporte e armazenamento

- As baterias de íões de lítio fornecidas cumprem os requisitos da legislação sobre mercadorias perigosas.
- Cumpra o requisito especial sobre a embalagem e as etiquetas de transporte comercial, incluindo por terceiros e agentes transitários.
- Contacte uma pessoa com formação específica em material perigoso antes de enviar o produto. Cumpra todos os regulamentos nacionais aplicáveis.
- Utilize fita em contactos abertos quando colocar a bateria numa embalagem. Coloque a bateria na embalagem de forma fixa para impedir movimentos.
- Retire sempre a bateria para armazenamento ou transporte.
- Coloque a bateria e o carregador da bateria num espaço seco e sem humidade ou gelo.
- Não armazene a bateria numa área onde possa haver eletricidade estática. Não armazene a bateria numa caixa metálica.
- Coloque a bateria num local onde a temperatura varie entre 5 °C/41 °F e 25 °C/77 °F e esteja afastado da exposição à luz solar.
- Coloque o carregador da bateria num local onde a temperatura varie entre 5 °C/41 °F e 45 °C/113 °F e esteja afastado da exposição à luz solar.
- Utilize o carregador da bateria apenas quando a temperatura ambiente se encontrar entre os 5 °C/41 °F e os 40 °C/104 °F.
- Carregue a bateria entre 30% a 50% antes de a armazenar durante longos períodos de tempo.
- Armazene o carregador da bateria num espaço fechado e seco.
- Mantenha a bateria afastada do carregador da bateria durante o armazenamento. Não permita que crianças e outras pessoas não autorizadas entrem em contacto com o equipamento. Mantenha o equipamento num espaço que possa trancar.
- Antes de armazenar o produto durante longos períodos de tempo, limpe-o e efetue uma manutenção completa do mesmo.
- Utilize a proteção para transporte no produto para evitar ferimentos ou danos no produto durante o transporte e o armazenamento.
- Fixe o produto em segurança durante o transporte.

## Eliminação da bateria, do carregador da bateria e do produto

Os símbolos no produto ou na respetiva embalagem indicam que o produto não é resíduo doméstico. Recicle o equipamento numa estação de reciclagem para equipamentos elétricos e eletrónicos. Isto ajuda a evitar danos no ambiente e em pessoas.

Contacte as autoridades locais, o serviço de recolha de resíduos domésticos ou o seu concessionário para obter mais informações sobre como reciclar o seu produto.

## Especificações técnicas

### Especificações técnicas

	<b>120ITK4-H</b>
<b>Motor</b>	
Tipo de motor	PMDC 36V
<b>Peso</b>	
Peso sem bateria, kg	4,6
Peso com bateria (bateria BLi10 padrão), kg	5,3
<b>Emissões de ruído<sup>28</sup></b>	
Nível de potência sonora, dB(A) medidos	91,32

<sup>28</sup> Emissões de ruído para as imediações, medidas sob forma de potência sonora ( $L_{WA}$ ) em conformidade com a diretiva da CE 2000/14/CE. A diferença entre a potência sonora garantida e medida é que a potência sonora garantida também inclui a dispersão no resultado da medição e as variações entre diferentes produtos do mesmo modelo; consulte a diretiva 2000/14/CE.

	<b>120ITK4-H</b>
Nível de potência sonora, garantido $L_{WA}$ dB(A)	94
<b>Níveis acústicos<sup>29</sup></b>	
Nível de pressão sonora, ao nível do ouvido do operador, medido de acordo com as normas EN 62841-1 e EN 62841-4-2, dB (A)	81,3
<b>Níveis de vibração<sup>30</sup></b>	
Níveis de vibração ( $a_{h,v}$ ) nos punhos dianteiros/traseiros, $m/s^2$ . Consulte as normas EN 62841-1 e EN 62841-4-2.	1,223/0,816
<b>Equipamento de corte</b>	
Tipo	Duplas
Comprimento das lâminas, mm	500
Velocidade da lâmina, cortes/min, no modo SavE	2250
Velocidade da lâmina, cortes/min, fora do modo SavE	2800

### Carregadores da bateria aprovados

<b>Carregador da bateria</b>	<b>QC80</b>
Tensão de entrada, V	100-240
Frequência, Hz	50-60
Potência, W	100
Tensão de saída, V DC/A	36/2

### Baterias aprovadas para o produto

<b>Bateria</b>	<b>BLI10</b>
Tipo	Iões de lítio
Capacidade da bateria, Ah	Consulte o dístico de classificação da bateria
Tensão nominal, V	36
Peso, kg	0,7

<sup>29</sup> A dispersão estatística típica de pressão sonora equivalente é um desvio padrão de 3 dB (A).

<sup>30</sup> Os dados comunicados relativamente ao nível de vibração têm uma dispersão estatística típica (desvio padrão) de 1,5  $m/s^2$ .

O valor total de vibração declarado foi medido de acordo com um método de teste padrão e pode ser utilizado para comparar ferramentas.

O valor total de vibração declarado também pode ser utilizado para uma avaliação preliminar da exposição.

---

## Declaração CE de conformidade

---

### Declaração CE de conformidade

A **Husqvarna AB**, SE-561 82 Huskvarna, Suécia, tel: +46-36-146500, declara que o corta-sebes com vara **Husqvarna 120ITK4-H** com números de série de 2021 e posteriores (o ano é claramente indicado na etiqueta de tipo, seguido do número de série), cumpre as disposições constantes na DIRETIVA DO CONSELHO:

- de 17 de maio de 2006, "referente a máquinas" **2006/42/CE**.
- de 26 de fevereiro de 2014, "referente à compatibilidade eletromagnética", **2014/30/UE**.
- de 8 de junho de 2011 relativa à "restrição do uso de determinadas substâncias perigosas" **2011/65/UE**.

Foram respeitadas as seguintes normas:

**EN 62841-1:2015, EN 62841-4-2:2019, EN 55014-1:2017+A11, EN 55014-2:2015, CISPR12:2007+A1 2009, EN IEC 63000:2018.**

A TÜV Rheinland LGA Products GmbH, Tillystrasse 2, D-90431 Nuernberg, Germany realizou o exame de tipo voluntário em nome da Husqvarna AB. O certificado tem o número: **AM 50491653 0001**.

Husqvarna 2020-12-30



The image shows a handwritten signature in black ink, which appears to be 'Pär Martinsson'. To the right of the signature is a large, semi-transparent watermark logo for 'KEES VAN DER SPEK' with the text 'KES \* STOLWIJK' underneath it.

Pär Martinsson, Chefe de Desenvolvimento  
(representante autorizado da Husqvarna AB e  
responsável pela documentação técnica).

## Innehåll

Introduktion.....	180	Felsökning.....	192
Säkerhet.....	182	Transport, förvaring och kassering.....	193
Montering.....	188	Tekniska data.....	194
Drift.....	189	EG-försäkring om överensstämmelse.....	196
Underhåll.....	191		

## Introduktion

### Produktbeskrivning

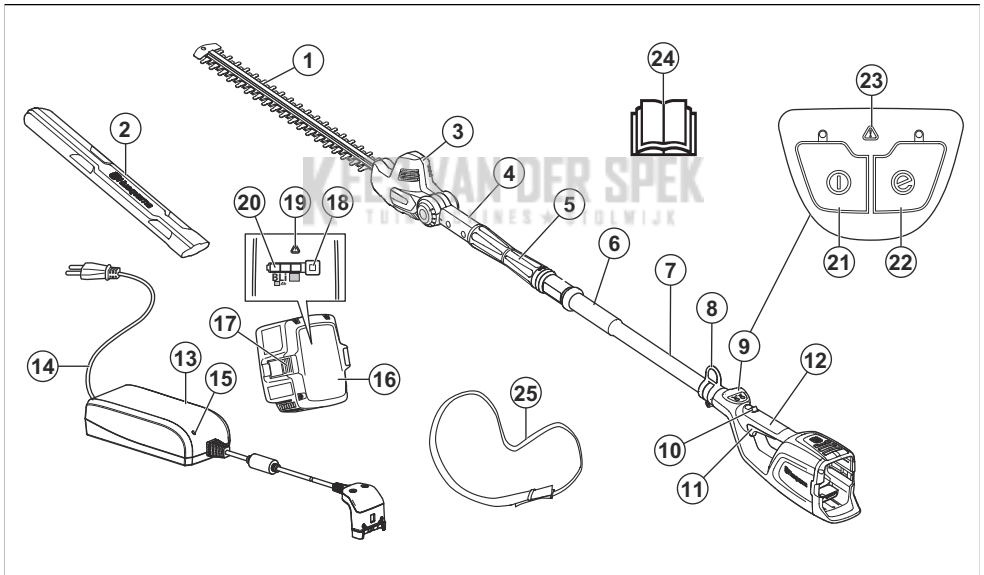
Husqvarna 120iTK4-H är en batteridrivna teleskopisk stånghäcksax.

Arbetet med att öka din säkerhet och effektivitet under användning pågår ständigt. Prata med en serviceverkstad för mer information.

### Avsedd användning

Använd produkten för att klippa grenar och kvistar. Använd inte produkten till annat.

### Produktöversikt



1. Klinga
2. Transportskydd
3. Hus
4. Handtag för lägesdelning
5. Teleskopfunktion
6. Främre handtag
7. Rigrör
8. Upphängningskrok för sele
9. Tangentbord
10. Gasreglagespärr
11. Gasreglage
12. Bakre handtag
13. Batteriladdare
14. Sladd
15. Ström-/varningslampa
16. Batteri
17. Frigöringsknappar för batteri
18. Knappen Batterinivåindikator
19. Varningslampa
20. Batteriindikatorlampa

- 21. Start-/stoppknapp
- 22. Knappen SavE
- 23. Varningslampa
- 24. Bruksanvisning
- 25. Sele

## Symboler på produkten



Varning! Denna produkt är farlig. Skador eller dödsfall kan inträffa för användaren eller människor runt omkring om produkten inte används försiktigt och korrekt. För att förhindra att användaren eller människor runt omkring skadas ska du läsa och följa alla säkerhetsinstruktioner i bruksanvisningen. Läs igenom bruksanvisningen noggrant och se till att du förstår instruktionerna innan användning.



Använd skyddshjälm på platser där föremål kan falla ner. Använd godkända hörselskydd. Använd godkänt ögonskydd.



Använd godkända skyddshandskar.



Produkten överensstämmer med gällande EG-direktiv.

Märkspänning, V



Likström.



Utsätt inte för regn.



Håll händerna borta från klingan.



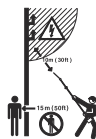
Teleskopfunktion.



Delningsfunktion.



Vrid åt vänster för att lossa vredet, och vrid åt höger för att dra åt vredet.



Denna produkt saknar isolering. Om produkten kommer i kontakt med eller i närheten av spänningsförande ledningar kan det resultera i dödsfall eller allvarlig skada. Ström kan överföras från en punkt till en annan med en så kallad spänningsbåge. Ju högre spänningen är, desto större sträcka kan strömmen hoppa. Strömmen kan även överföras genom grenar och andra föremål, särskilt om de är blöta. Håll alltid ett avstånd på minst tio meter mellan produkten och spänningsförande ledningar och/eller föremål som är i kontakt med dem. Om du måste arbeta med kortare säkerhetsavstånd ska du alltid kontakta aktuellt kraftbolag för att säkerställa att spänningen är fränslagen innan du börjar arbeta. Se till att det är minst 15 m till andra personer och djur när du arbetar.

yyyywwxxxx

Typskylten visar serienumret. **yyyy** är produktionsåret och **ww** är produktionsveckan.

**Notera:** Övriga symboler/etiketter på produkten avser specifika krav för certifieringar på vissa marknader.

## Symboler på batteriet och/eller på batteriladdaren



Återvinn produkten vid en återvinningsstation för elektrisk och elektronisk utrustning. (Gäller endast Europa)



Transformator med automatisk säkerhetsanordning.



Använd och förvara endast batteriladdaren inomhus.



Dubbelisolerad.

## Produktansvar

Enligt lagstiftningen för produktansvar ansvarar vi inte för skador som vår produkt orsakar om:

- produkten repareras felaktigt

- produkten repareras med delar som inte kommer från tillverkaren eller inte har godkänts av tillverkaren
- produkten har ett tillbehör som inte kommer från tillverkaren eller inte har godkänts av tillverkaren

- produkten inte repareras vid ett godkänt servicecenter eller av en godkänd person.

## Säkerhet

### Säkerhetsdefinitioner

Varningar, försiktighetsåtgärder och anmärkningar används för att betona speciellt viktiga delar i bruksanvisningen.



**WARNING:** Används om det finns risk för skador eller dödsfall för användaren eller kringstående om anvisningarna i bruksanvisningen inte följs.



**OBSERVERA:** Används om det finns risk för skada på produkten, annat material eller det angränsande området om anvisningarna i bruksanvisningen inte följs.

**Notera:** Används för att ge mer information som är nödvändig i en viss situation.

### Allmänna säkerhetsvarningar för elverktyg



**WARNING:** Läs igenom alla säkerhetsinstruktioner och varningar. Om du inte följer varningarna och instruktionerna kan det leda till elektriska stötar, brand och/eller allvarliga skador.

**Notera: Spara alla varningar och instruktioner som referens.** I varningarna syftar termen "elverktyg" på ett verktyg som antingen är anslutet till nätspänningen (med sladd) eller drivs av batteri (sladdlöst).

### Säkerhet i arbetsområdet

- **Arbetsområdet ska hållas välordnat och välbelyst.** I rörliga eller mörka arbetsområden händer det lätt olyckor.
- **Använd inte elverktyg i explosiva miljöer, t.ex. i närvaro av brandfarliga vätskor, gaser eller damm.** Gnistor från elverktyget kan antända damm eller ångor.
- **Håll barn och åskådare på avstånd när du använder elverktyg.** Om du blir distraherad kan du tappa kontrollen.

### Elsäkerhet

- **Elverktygets stickkontakt måste passa i vägguttaget. Modifiera aldrig stickkontakten på något sätt. Använd**

### inga adapterkontakter med jordade elverktyg.

Oförändrade stickkontakter och motsvarande vägguttag minskar riskerna för elektriska stötar.

- **Undvik kroppskontakt med jordade ytor, t.ex. rör, kylare, spisar och kylskåp.** Risken för elektriska stötar ökar om kroppen är jordad.
- **Utsätt inte elverktyg för regn eller väta.** Om vatten tränger in i elverktyget ökar risken för elektrisk stöt.
- **Använd inte sladden på fel sätt. Använd inte sladden för att bära eller dra elverktyget, eller för att koppla ur elverktyget från uttaget. Håll sladden borta från värme, olja, vassa kanter och rörliga delar.** Skadade eller trasliga sladdar ökar risken för elektriska stötar.
- **När du använder ett elverktyg utomhus ska du även använda en förlängningssladd för utomhusbruk.** Om du använder en sladd för utomhusbruk minskar risken för elektriska stötar.
- **Om det är oundviktigt att köra elverktyget i en fuktig miljö använder du en jordfelsbrytare (RCD).** Med jordfelsbrytare minskar risken för elektriska stötar.

### Personligt skydd

- **Var på din vakt, var uppmärksam på vad du gör och använd sunt förnuft när du använder ett elverktyg. Använd inte elverktyg om du är trött, har druckit alkohol eller om du har tagit droger eller mediciner.** Ett ögonblick av ouppmärksamhet när du använder ett elverktyg kan leda till allvarlig personskada.
- **Använd personlig skyddsutrustning. Bär alltid skyddsglasögon.** Lämplig skyddsutrustning som ansiktsmask, halkfria skyddsskor, hjälm eller hörselskydd minskar risken för personskador.
- **Förebygg att maskinen startar oavsiktligt. Se till att strömbrytaren är frånslagen innan du ansluter elverktyget till en strömkälla och/eller ett batteri samt innan du tar upp eller bär verktyget.** Risken för olyckor är stor om du bär elverktyg med fingret på strömbrytaren eller tillför ström till elverktyg med strömbrytaren påslagen.
- **Ta bort eventuella justeringsnycklar eller skiftnycklar innan du slår på verktyget.** Nycklar som lämnas kvar i elverktygets rörliga delar kan orsaka personskada.
- **Sträck dig inte för långt. Ha alltid ett stadigt fotfäste och god balans.** Det ger dig större kontroll över elverktyget i oväntade situationer.
- **Ta på dig ordentliga arbetskläder. Använd inte löst sittande kläder eller smycken. Håll hår och kläder borta från rörliga delar.** Lösa kläder, smycken och långt hår kan fastna i rörliga delar.
- **Om det finns anordningar för anslutning av enheter för uppsamling av damm, se då till att dessa är**

**ordentligt anslutna och att de används på rätt sätt.** Dammuppsamling kan minska dammrelaterad fara.

- **Tillåt inte dig själv att känna dig för tryggt och bli för avslappnad även om du har erfarenhet av regelbunden användning av verktyg så att du börjar strunta i verktygets säkerhetsprinciper.** En slarvig handling kan orsaka allvarlig skada på mindre än en sekund.
- Vibrationsnivån vid användning av elverktyget kan skilja sig från det angivna totala värdet beroende på hur verktyget används. Användarna bör fastställa säkerhetsåtgärder för att skydda sig själva som är baserade på en uppskattning av exponeringen vid faktiska användningsförhållanden (med beaktande av alla delar av arbetscykeln, som när verktyget är avstängt, när det går på tomgång och när det används).

## Användning och underhåll av elverktyg

- **Bruka inte våld eller onödig kraft. Använd det elverktyg som är rätt för ditt syfte.** Med rätt elverktyg utför du ett bättre och säkrare jobb med den hastighet som elverktyget är utformat för.
- **Använd inte elverktyget om du inte kan starta och stänga av det med strömbrytaren.** Elverktyg som inte kan kontrolleras med strömbrytaren är farliga och måste repareras.
- **Koppla ur stickkontakten från strömkällan och/eller ta ur batteriet innan du gör några justeringar, byter tillbehör eller förvarar elverktyget.** Sådana förebyggande säkerhetsåtgärder minskar risken för att elverktyget startas oavsiktligt.
- **Förvara elverktyg som inte används utom räckhåll för barn. Se till att personer som inte tidigare har hanterat elverktyget, eller som inte har läst dessa instruktioner, inte använder elverktyget.** Elverktyg är farliga om de används av ovana användare.
- **Sköt om ditt elverktyg. Kontrollera att rörliga delar ligger i linje och inte kärvar. Kontrollera även om det finns skadade delar eller om det föreligger andra förhållanden som kan påverka elverktygets funktion. Om elverktyget är skadat ska det repareras innan det används igen.** Många olyckor orsakas av dåligt underhållna elverktyg.
- **Håll kapverktyg skarpa och rena.** Väl underhållna klippande verktyg med vassa eggar kärvar mer sällan och är lättare att kontrollera.
- **Använd elverktyg, tillbehör och skär enligt dessa instruktioner och ta hänsyn till arbetsförhållandena och det arbete som ska utföras.** Användning av elverktyg andra syften än de avsedda kan resultera i en farlig situation.
- **Håll handtagen och greppytorna torra, rena och fria från olja och fett.** Hala handtag och greppytor innebär att det inte är säkert att hantera och styra verktyget i oväntade situationer.

## Använda och underhålla batteridrivna verktyg

- **Ladda endast upp med den laddare som anges av tillverkaren.** En laddare som är lämplig för en typ av

batteripack kan utgöra en brandrisk när den används med ett annat batteripack.

- **Använd endast elverktyg med särskilt avsedda batteripack.** Användning av andra batteripack kan innebära risk för skada och brand.
- **När batteripacket inte används ska du hålla det borta från andra metallföremål, som gem, mynt, nycklar, spikar, skruvar och andra små metallföremål, som kan skapa en anslutning mellan kontakterna.** Kortslutning av batteriets kontakter kan orsaka brännskador eller brand.
- **Vid felaktig användning kan vätska sprutas ut från batteriet. Undvik kontakt. Om kontakt inträffar av misstag ska du skölja med vatten. Om du får vätska i ögonen ska du uppsöka läkare.** Vätska som sprutar ut från batteriet kan orsaka irritation eller sveda.
- **Använd inte ett batteripack eller ett verktyg som är trasigt eller modifierat.** Skadade eller modifierade batterier kan fungera på ett oväntat sätt vilket kan leda till brand, explosion eller risk för skada.
- **Utsätt inte ett batteripack eller ett verktyg för brand eller extrema temperaturer.** Om det utsätts för brand eller temperaturer över 130 °C kan en explosion inträffa.
- **Följ alla anvisningar för laddning och ladda inte batteripacket eller verktyget utanför det temperaturintervall som anges i instruktionerna.** Felaktig laddning eller temperaturer utanför det specificerade området kan skada batteriet och öka risken för brand.

## Service

- **Låt en kvalificerad reparatör som endast använder identiska reservdelar underhålla elverktyget.** På så sätt garanterar du att säkerheten kring ditt elverktyg upprätthålls.
- **Utför aldrig underhåll på skadade batteripack.** Underhåll på batteripack bör endast utföras av tillverkaren eller auktoriserade tjänsteleverantörer.

## Säkerhetsinstruktioner för häcksax

- **Håll alla delar av din kropp borta från klingan. Ta inte bort klippt material och håll inte i material som ska klippas när knivarna är i rörelse.** Knivarna fortsätter att röra sig när du har stängt av brytaren. Om du är ouppmärksam när du använder häcksaxen kan det leda till allvarliga personskador.
- **Bär häcksaxen i handtaget med klingan stoppad. Var försiktig så att du inte trycker på någon strömbrytare.** Om du använder häcksaxen på rätt sätt minskar du risken för att starta den av misstag och för att skada dig på knivarna.
- **Montera alltid skyddet på knivarna när du transporterar eller förvarar häcksaxen.** Genom att hantera häcksaxen på rätt sätt kan du minska risken för att skada dig på knivarna.
- **När du tar bort material som har fastnat eller utför service på enheten måste du se till att alla strömbrytare är avstängda och att nätsladden är frånkopplad.** Om häcksaxen startar när du tar bort

material som har fastnat eller när du utför service kan du skada dig allvarligt.

- **Håll bara i de isolerade greppytorna på häcksaxen, eftersom klingan kan komma i kontakt med dolda ledningar eller sladden till häcksaxen.** Om knivarna kommer i kontakt med en strömförande ledning kan metalldelarna på häcksaxen bli strömförande och ge användaren en elektrisk stöt.
- **Håll alla nåtsladdar borta från skärområdet.** Det kan finnas dolda nåtsladdar i buskar som du kan råka skära av med klingan.
- **Använd inte häcksaxar i dåligt väder, i synnerhet vid risk för blixtnedslag.** Det minskar risken att träffas av blixten.
- **Använd aldrig häcksaxar nära kraftledningar. Detta för att minska risken för elstötar.** Kontakt med eller användning i närheten av kraftledningar kan orsaka allvarliga skador eller elektriska stötar som leder till dödsfall.
- **Använd båda händerna när du använder en häcksax med utökad räckvidd.** Håll häcksaxen med utökad räckvidd med båda händerna för att undvika att du förlorar kontrollen över den.
- **Skydda huvudet när du använder en häcksax med utökad räckvidd.** Fallande objekt kan orsaka allvarlig personlig skada.

## Allmänna säkerhetsanvisningar



**VARNING:** Läs varningsinstruktionerna nedan innan du använder produkten.

- För att undvika ofrivillig start av maskinen ska batteriet avlägsnas.
- Denna produkt är ett farligt verktyg om du inte är försiktig eller om du använder produkten felaktigt. Den här produkten kan orsaka allvarlig eller livshotande skada för användaren och andra.
- Använd inte produkten om den ändras från dess första specifikation. Byt inte ut en del av produkten utan tillverkarens godkännande. Använd endast reservdelar som godkänts av tillverkaren. Skador eller dödsfall är ett möjligt resultat av felaktigt underhåll.
- Kontrollera produkten före användning. Se *Säkerhetsanordningar på produkten på sida 186* och *Underhåll på sida 191*. Använd inte en defekt produkt. Utför de säkerhets-, underhålls- och serviceinstruktioner som beskrivs i denna bruksanvisning.
- Barn ska övervakas för att garantera att de inte leker med produkten. Låt aldrig barn eller andra personer som inte utbildats i handhavande av produkten och/eller batteriet använda eller underhålla den. Lokala föreskrifter kan reglera användarens ålder.
- Förvara produkten i ett låst utrymme för att förhindra åtkomst för barn eller personer som inte är behöriga.
- Förvara produkten oåtkomlig för barn.

- Enhetens ursprungliga utformning får inte under några omständigheter ändras utan tillstånd från tillverkaren. Använd alltid originaltillbehör. Icke auktoriserade ändringar och/eller tillbehör kan medföra allvarliga personskador eller dödsfall för föraren och andra.

**Notera:** Nationella eller lokala lagar kan reglera användningen. Följ givna föreskrifter.

## Säkerhetsinstruktioner för drift



**VARNING:** Läs varningsinstruktionerna nedan innan du använder produkten.

- När du råkar ut för en situation som gör dig osäker angående fortsatt användning ska du rådfråga en expert. Kontakta din återförsäljare eller serviceverkstad. Undvik all användning du anser dig otillräckligt kvalificerad för.
- Använd aldrig produkten om du är trött, om du har druckit alkohol eller om du tar mediciner som kan påverka din syn, ditt omdöme eller din kroppskontroll.
- Arbete i dåligt väder är tröttsamt och kan öka riskerna. Vi rekommenderar inte att produkten används i mycket dåligt väder, till exempel vid tät dimma, kraftigt regn, kraftig vind, extrem kyla eller risk för åskväder osv. eftersom det innebär ökade risker.
- En felaktig skärutrustning kan öka risken för olyckor.
- Låt aldrig barn använda eller vara i närheten av produkten. Eftersom produkten är lätt att starta kan barn starta den om de inte hålls under uppsikt. Detta kan innebära risk för allvarlig personskada. Koppla därför alltid ur batteriet när produkten inte är under uppsikt.
- Se till att inga människor eller djur kommer närmare än 15 meter under arbetets gång. När flera användare arbetar på samma område ska säkerhetsavståndet vara minst 15 meter. Annars finns det risk för allvarlig personskada. Stäng omedelbart av produkten om någon närmar sig arbetsplatsen. Sväng aldrig runt med produkten utan att först kontrollera bakåt att ingen befinner sig inom säkerhetszonen.
- Se till att människor, djur eller annat inte påverkar din kontroll över produkten och att de inte kommer i kontakt med skärutrustningen eller lösa föremål som slungas iväg av skärutrustningen. Använd aldrig produkten utan möjlighet att kunna påkalla hjälp i händelse av olycka.
- Inspektera alltid arbetsområdet. Avlägsna alla lösa föremål, såsom stenar, krossat glas, spikar, ståltråd, snören med mera, som kan slungas iväg eller sno in sig i skärutrustningen.
- Se till att du kan gå och stå säkert. Titta efter eventuella hinder vid en oväntad förflyttning (rötter,



- stenar, grenar, gropar, diken osv.). Iakttag stor försiktighet vid arbete i sluttande terräng.
- Håll god balans och säkert fötfast under hela tiden. Sträck dig inte för långt.
  - Vid förflyttning till annat område ska produkten inaktiveras. Fäst transportskyddet när produkten inte används.
  - Ställ aldrig ifrån dig produkten om du inte har inaktiverat den. Lämnar inte produkten utan uppsikt när den är påslagen.
  - Ta ur batteriet innan du räcker produkten till en annan person.
  - Se till att inga kläder eller kroppsdelar kommer i kontakt med skärutrustningen när produkten används.
  - Om någonting fastnar i skärutrustningen när du använder produkten ska du stänga av och inaktivera produkten. Se till att skärutrustningen stannar helt. Ta ur batteriet innan du rengör, kontrollerar eller reparerar produkten och skärutrustningen.
  - Håll händer och fötter borta från skärutrustningen tills den har stannat helt när produkten är avaktiverad.
  - Se upp för grenbitar som kan slungas iväg när du klipper. Klipp inte för nära marken där stenar eller andra lösa föremål kan slungas iväg.
  - Varning för utslungade föremål. Godkända ögonskydd ska alltid användas. Luta dig aldrig över skärutrustningens skydd. Stenar, skräp m.m. kan kastas upp i ögonen och vålla blindhet eller allvarliga skador.
  - Var alltid uppmärksam på varningssignaler eller tillrop när hörselskydd används. Ta alltid av hörselskydden så snart du stängt av produkten.
  - Arbeta aldrig från en stege eller pall eller annan ej väl förankrad upphöjd position.
  - Maskinen alstrar under drift ett elektromagnetiskt fält. Detta fält kan under vissa omständigheter ge påverkan på aktiva eller passiva medicinska implantat. För att reducera risken för allvarliga eller livshotande skador rekommenderar vi därför personer med implantat att rådgöra med läkare samt tillverkaren av det medicinska implantatet innan denna maskin används.
  - Håll alltid produkten med båda händerna. Håll produkten på höger sida av kroppen.
  - Stanna alltid produkten, ta ut batteriet och se till att skärutrustningen inte roterar innan du tar bort material som virats runt klingaxeln eller som har fastnat mellan skyddet och skärutrustningen.
  - Det elektromagnetiska fältet under drift kan störa aktiva eller passiva medicinska implantat. Personer med implantat bör tala med en läkare och tillverkaren av det medicinska implantatet innan produkten används.
  - Bär upp produktens vikt med selen för att göra det enkelt att använda den.

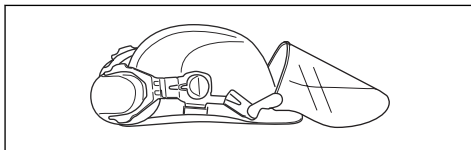
- Långvarig exponering för buller kan ge bestående hörselskador. Husqvarna rekommenderar att användare har godkända hörselskydd.
- Använd aldrig en produkt som modifierats så att den ej längre överensstämmer med originalutförandet.
- Använd aldrig en produkt som är defekt. Följ säkerhets-, underhålls- och serviceinstruktioner i denna bruksanvisning. Vissa underhålls- och serviceåtgärder ska utföras av utbildade och kvalificerade specialister. Se anvisningarna under rubriken Underhåll.
- Gör en total kontroll av produkten före användning. Se underhållsschemat.
- Låt aldrig någon annan använda maskinen utan att försäkra dig om att de har läst igenom och förstått innehållet i bruksanvisningen.
- Undersök arbetsområdet med avseende på främmande föremål som elledningar och djur med mera eller föremål som kan skada skärutrustningen, till exempel metallföremål.
- Felaktiga knivar kan öka risken för olyckor.

## Personlig skyddsutrustning



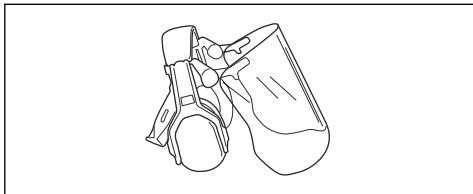
**VARNING:** Läs varningsinstruktionerna nedan innan du använder produkten.

- Använd alltid godkänd personlig skyddsutrustning när du använder produkten. Personlig skyddsutrustning kan inte eliminera skaderisken helt, men den reducerar effekten av en skada vid ett eventuellt olyckstillbud. Be din återförsäljare om hjälp med att välja rätt utrustning.
- Använd skyddshjälm där det finns risk för fallande föremål.



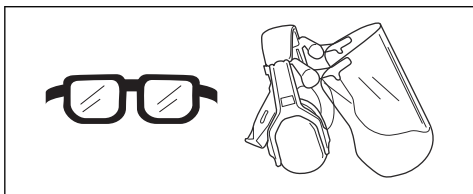
- Långvarig exponering för buller kan ge hörselskador. Batteridrivna produkter är i allmänhet relativt tysta men skador kan uppstå genom en kombination av ljudnivå och långvarig användning. Husqvarna rekommenderar att användaren har hörselskydd vid användning av produkten under en längre sammanhängande period av dagen. Personer som

använder produkten kontinuerligt och regelbundet bör kontrollera hörseln regelbundet.

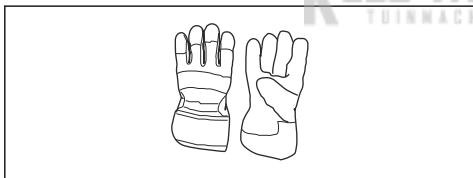


**VARNING:** Hörselskydd begränsar förmågan att höra ljud och varningssignaler.

- Använd godkänt ögonskydd. Används visir måste även godkända skyddsglasögon användas. Godkända skyddsglasögon måste uppfylla standarden ANSI Z87.1 i USA eller SS-EN 166 i EU-länder.



- Använd handskar vid behov, till exempel när du ansluter, undersöker eller rengör skärutrustningen.



- Ha på dig kläder i slitstarkt material. Bär alltid kraftiga långbyxor och överdel med långa ärmar. Använd inte löst sittande kläder som kan fastna i kvistar och grenar. Bär inte smycken, kortbyxor eller sandaler och gå inte barfota. Sätt upp håret ordentligt så att det inte hänger nedanför axlarna.
- Ha första förband nära till hands.



## Säkerhetsanordningar på produkten



**VARNING:** Läs varningsinstruktionerna nedan innan du använder produkten.

I detta avsnitt beskrivs produktens säkerhetsfunktioner, dess syfte samt hur kontroller och underhåll ska utföras för att säkerställa att den fungerar korrekt. Se anvisningarna under rubriken *Produktöversikt på sida 180* för att få reda på var dessa delar är placerade på produkten.

Produktens livslängd kan förkortas och risken för olyckor kan öka om underhåll av produkten inte utförs på rätt sätt och om service och/eller reparationer inte utförs av specialutbildade tekniker. Kontakta din serviceverkstad om du behöver ytterligare information.



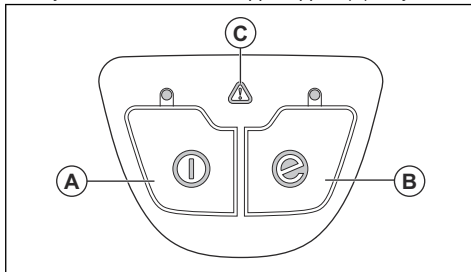
**VARNING:** Använd aldrig en produkt med defekta säkerhetskomponenter. Produktens säkerhetsutrustning ska kontrolleras och underhållas som beskrivs i detta avsnitt. Om din produkt inte klarar alla kontrollerna ska serviceverkstad uppsökas för reparation.



**OBSERVERA:** All service och reparation av maskinen kräver specialutbildning. Detta gäller särskilt maskinens säkerhetsutrustning. Om maskinen inte klarar någon av nedan listade kontroller ska du uppsöka din serviceverkstad. Ett köp av någon av våra produkter garanterar att du kan få en fackmannamässig reparation och service utförd. Om inköpsstället för maskinen inte är en av våra servande fackhandlare, fråga dem efter närmaste serviceverkstad.

## Kontrollera knappsetsen

1. Tryck in och håll start-/stopppknappen (A) intryckt.

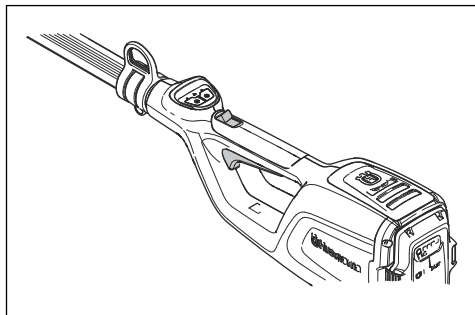


- a) Produkten är påslagen när lysdioden lyser.
  - b) Produkten är avstängd när lysdioden är släckt.
2. Se *Starta SaveE-funktionen på sida 191* för SaveE-knappens (B) funktion.
  3. Se *Felsökning på sida 192* om varningsindikatorn (C) lyser eller blinkar.

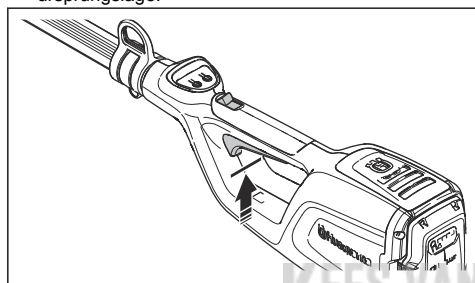
## Kontrollera gasreglagespärren

Gasreglagespärren förhindrar oavsiktlig drift. När greppet om handtaget släpps återgår både gasreglaget

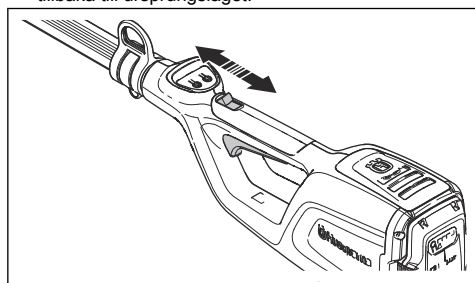
och gasreglagespärren till sina respektive ursprungslägen.



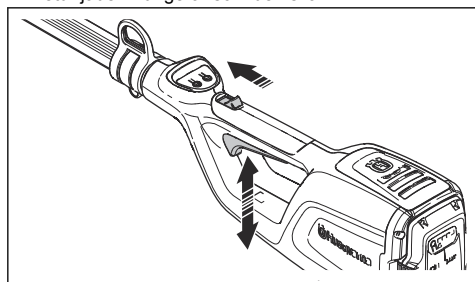
1. Se till att gasreglaget är låst när spärren är i sitt ursprungsläge.



2. Dra och släpp spärren och se till att den flyttas tillbaka till ursprungsläget.



3. Se till att gasreglaget och spärren rör sig fritt samt att retur fjädern fungerar som den ska.



4. Starta produkten, se *Starta produkten på sida 190*.
5. Applicera fullt varvtal.
6. Släpp gasreglaget och se till att skärutrustningen stannar helt.

## Batterisäkerhet



**VARNING:** Läs varningsinstruktionerna nedan innan du använder produkten.

- Det batteri som rekommenderas är BLi10. Se *Tekniska data på sida 194*. Batteriet har krypterad programvara.
- Använd det uppladdningsbara BLi10-batteriet som strömförsörjning endast för relaterade Husqvarna-produkter. På grund av risken för skador ska du inte använda batteriet som strömkälla för andra enheter.
- Risk för elektrisk stöt. Anslut inte batteripolerna till nycklar, mynt, skruvar eller andra metallföremål. Det kan orsaka kortslutning i batteriet.
- Använd inte batterier som inte är laddningsbara.
- Placera inte föremål i luftspringorna på batteriet.
- Håll batteriet borta från direkt solljus, värme och öppen eld. Batteriet kan orsaka brännskador och/eller kemiska brännskador.
- Håll batteriet borta från regn och fuktiga förhållanden.
- Håll batteriet borta från mikrovågor och högt tryck.
- Försök inte ta isär eller krossa batteriet.
- Om batteriet läcker ska du inte låta vätskan komma i kontakt med huden eller ögonen. Om du har rört vid vätskan ska du rengöra området med stora mängder vatten och tvål och kontakta läkare. Om du får vätska i ögonen ska du inte gnugga, utan spola med vatten i minst 15 minuter och kontakta läkare.
- Använd batteriet vid temperaturer mellan  $-10^{\circ}\text{C}$  ( $14^{\circ}\text{F}$ ) och  $40^{\circ}\text{C}$  ( $114^{\circ}\text{F}$ ).
- Rengör inte batteriet eller batteriladdaren med vatten. Se *Rengöra produkten, batteriet och batteriladdaren på sida 192*.
- Använd inte ett defekt eller skadat batteri.
- Håll batterier som förvaras borta från metallföremål, exempelvis spikar, skruvar och smycken.
- Håll batteriet utom räckhåll för barn.

## Säkerhet, batteriladdare



**VARNING:** Läs varningsinstruktionerna nedan innan du använder produkten.

- Risk för elektriska stötar eller kortslutning om säkerhetsinstruktionerna inte följs.
- Använd inte andra batteriladdare än den som medföljde produkten. Den laddare som rekommenderas är QC80 när du laddar BLi10-batteriet.

- Försök inte plocka isär batteriladdaren.
- Använd aldrig defekta eller skadade batteriladdare.
- Lyft inte batteriladdaren i nätsladden. Koppla bort batteriladdaren från eluttaget genom att dra i kontakten. Dra inte i nätsladden.
- Ha inga sladdar och skarvsladdar nära vatten, olja och skarpa kanter. Var uppmärksam så att inte sladden kläms i dörrar, stängsel eller liknande.
- Använd inte batteriladdaren nära brandfarliga material eller material som kan orsaka korrosion. Se till att batteriladdaren inte är övertäckt. Dra ut stickkontakten till batteriladdaren vid rökutveckling eller brand.
- Ladda endast batteriet inomhus där den inte utsätts för solljus och på en plats med bra luftflöde. Ladda inte batteriet utomhus. Ladda inte batteriet vid fuktiga förhållanden.
- Använd endast batteriladdaren i temperaturer mellan 5 °C (41 °F) och 40 °C (104 °F). Använd laddaren i en miljö med bra luftflöde, som är torr och fri från damm.
- Placera inte föremål i kylningsöppningar på batteriladdaren.
- Anslut inte batteriladdarens kontakter till metallföremål eftersom batteriladdaren kan kortslutas.
- Använd godkända eluttag som inte är skadade. Se till att batteriladdarens sladd inte är skadad. Om förlängningsladd används, se till att den inte är skadad.
- Ta ur batteriet innan du utför underhåll, övriga kontroller eller monterar produkten.
- Användaren får endast utföra underhålls- och servicearbeten som beskrivs i denna bruksanvisning. Vänd dig till en serviceverkstad för underhåll och service av större omfattning.
- Rengör inte batteriet eller batteriladdaren med vatten. Starka rengöringsmedel kan orsaka skador på plasten.
- Om du inte utför underhåll minskas produktens livscykel och risken för olyckor ökar.
- Särskild utbildning krävs för allt service- och reparationsarbete, särskilt för produktens säkerhetsanordningar. Om inte alla kontroller i den här bruksanvisningen är godkända efter att du gjort underhåll ska du kontakta din serviceverkstad. Vi garanterar att det finns professionella reparationer och service tillgängliga för din produkt.
- Håll klingans skärtänder väl och korrekt skärpta. Följ våra rekommendationer. Se även instruktionerna på knivförpackningen.
- Använd endast originaltillbehör.
- Använd alltid kraftiga arbetshandskar när du reparerar skärutrustningen. Knivarna är vassa och kan lätt ge skärskador.

## Säkerhetsinstruktioner för underhåll



**WARNING:** Läs varningsinstruktionerna nedan innan du utför underhåll på produkten.

## Montering

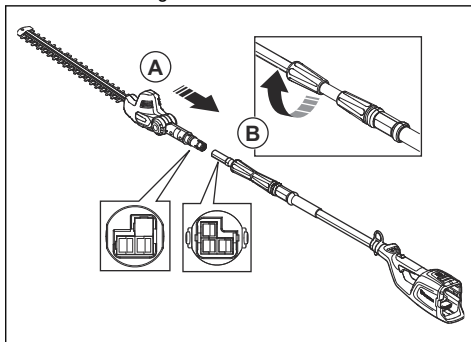
### Introduktion



**WARNING:** Läs och förstå säkerhetskapitlet innan du monterar produkten.

### Montera riggröret

1. Se till att eluttagen är inriktade.

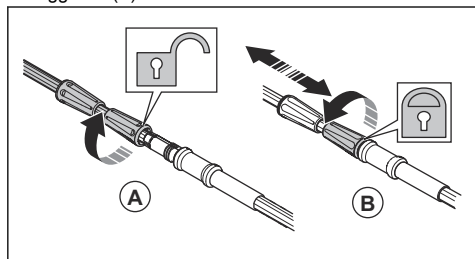


2. Anslut ändarna av riggröret (A) helt.

3. Dra åt skruvhandtaget på häcksaxhuvudsidan av riggröret (B).

## Justera riggrörets längd

1. Lossa skruvhandtaget på batterihussidan av riggröret (A).

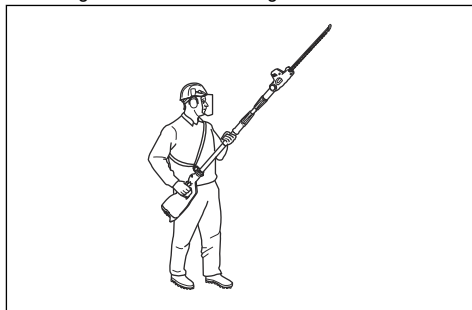


2. Justera riggröret till lämplig längd.
3. Dra åt skruvhandtaget (B).

## Justera selen

Använd alltid selen när du använder produkten. Selen ger maximal kontroll vid användning av produkten. Selen minskar risken för trötthet i armar och rygg.

1. Tag på selen.
2. Kroka fast produkten i selens upphängningskrok.
3. Justera längden på selen tills upphängningskroken är ungefär i nivå med din högra höft.



## Drift

### Introduktion



**VARNING:** Läs och förstå säkerhetskapitlet innan du använder produkten.

### Att göra innan du startar produkten

1. Undersök arbetsområdet. Avlägsna föremål som kan slungas iväg.
2. Inspektera skärutrustningen. Kontrollera att knivarna är vassa, och att de inte har några sprickor och skador.
3. Kontrollera att produkten fungerar korrekt. Kontrollera att alla muttrar och skruvar är ådragna.
4. Se till att handtag och säkerhetsanordningar inte är skadade och är rätt anslutna. Använd inte en produkt med delar som saknas eller som ändrats från den första specifikationen. Använd skyddshandskar när det är nödvändigt.
5. Se till att kåporna inte är skadade och är korrekt anslutna innan du använder produkten.

### Ansluta batteriladdaren

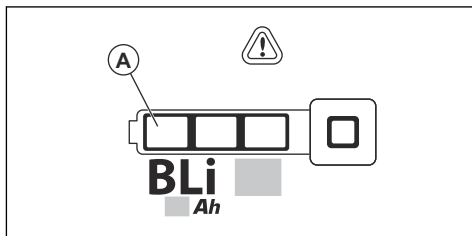
1. Anslut batteriladdaren till den spänning och frekvens som anges på typskylten.
2. Sätt in stickkontakten i ett jordat uttag. Lysdioden på batteriladdaren blinkar grönt en gång.

**Notera:** Batteriet laddas inte om batteriets temperatur är högre än 50 °C/122 °F. Om temperaturen är högre än 50 °C/122 °F kyls batteriladdaren ner batteriet innan det laddas.

### Ansluta batteriet till batteriladdaren

**Notera:** Ladda batteriet om det är första gången du använder det. Ett nytt batteri är endast 30 % laddat.

1. Se till att batteriet är torrt.
2. Anslut batteriet till batteriladdaren.
3. Kontrollera att den gröna laddningslampan på batteriladdaren tänds. Det betyder att batteriet är korrekt anslutet till batteriladdaren.
4. När alla lysdioder (A) på batteriet lyser är batteriet fulladdat.



- Koppla bort batteriladdaren från eluttaget genom att dra i kontakten. Dra inte i sladden.
- Ta ut batteriet ur batteriladdaren.

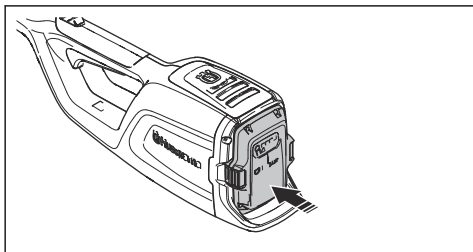
**Notera:** Se handböckerna för batteri och batteriladdare för mer information.

## Ansluta batteriet till produkten



**VARNING:** Använd endast Husqvarna-originalbatterier i produkten.

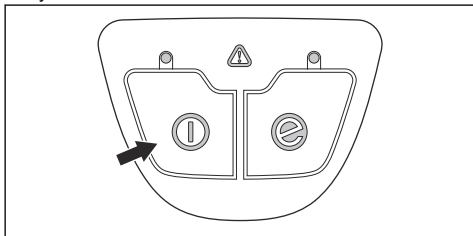
- Se till att batteriet är fulladdat.
- Placera batteriet i produktens batterihållare. Batteriet måste glida lätt in i hållaren. Om det inte gör det är det inte korrekt installerat.



- Tryck på den nedre delen av batteriet och tryck in det helt i batterihållaren. Batteriet läses på plats när du hör ett klickljud.
- Se till att spärrarna hakar i.

## Starta produkten

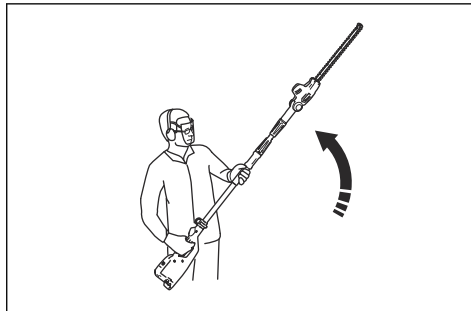
- Håll start-/stoppknappen intryckt tills den gröna lysdioden tänds.



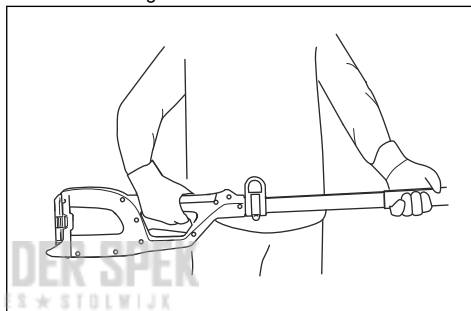
- Drag gasreglagespärren bakåt och håll in gasreglaget.

## Använda produkten

- Börja nära marken och flytta produkten upp längs häcken när du klipper sidorna.



- Håll produkten nära kroppen för en stabil arbetsställning.

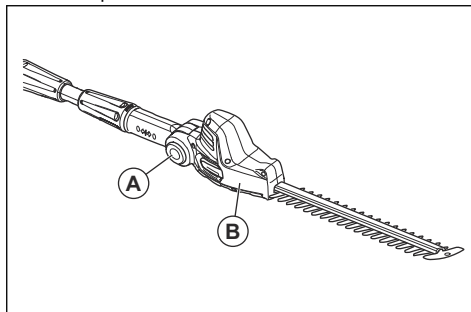


- Se till att skärutrustningens spets inte vidrör marken.
- Var försiktig och arbeta sakta tills alla grenarna är rätt kapade.

## Justera skärutrustningens vinkel

Skärutrustningen kan justeras i sju olika lägen.

- Stanna produkten och ta ut batteriet.



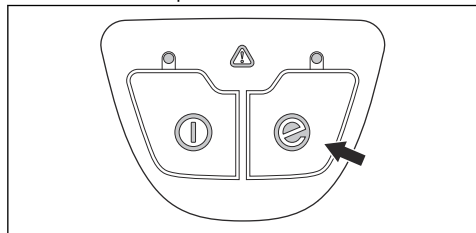
- Håll hårt i huset (B).
- Håll låsknapparna (A) intryckta på de två sidorna av huset (B).
- Flytta skärutrustningen till rätt vinkel.
- Släpp låsknapparna (A) på de två sidorna.

6. Flytta huset (B) uppåt och nedåt tills skärutrustningen läses på plats.

### Starta SavE-funktionen

Produkten har en SavE-funktion. SavE-funktionen ger den längsta drifttiden från batteriet.

1. Tryck på SavE-knappen. Lysdioden tänds för att visa att funktionen är på.



2. Tryck på SavE-knappen igen för att stänga av funktionen.

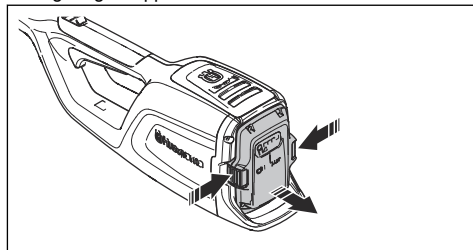
### Automatisk avstängningsfunktion

Produkten har en automatisk avstängningsfunktion som stoppar produkten om den inte används. Den gröna

lysdioden för start/stopp-indikering släcks och produkten stannar efter 60 sekunder.

### Stoppa produkten

1. Släpp gasreglaget.
2. Håll start-/stoppknappen intryckt tills den gröna lysdioden släcks.
3. Ta ur batteriet från produkten. Tryck på de två frigöringsknapparna och dra ut batteriet.



## Underhåll

### Introduktion



**VARNING:** Läs och förstå säkerhetskapitlet innan du utför underhållsarbete på produkten.



**VARNING:** Ta ur batteriet innan du utför underhåll på produkten.

### Underhållsschema

Nedan följer en lista över de underhållssteg som ska utföras på produkten.

Underhåll	Före användning	Vecko	Varje månad
Rengör produktens yttre delar.	X		
Se till att start-/stoppknappen fungerar som den ska och inte är defekt.	X		
Kontrollera att gasreglaget och gasreglagespärren fungerar korrekt säkerhetsmässigt.	X		
Se till att samtliga kontroller fungerar och inte är skadade.	X		
Se till att knivbladet och knivskyddet inte har några sprickor och att de inte är skadade. Byt ut knivbladet eller knivskyddet om de har sprickor eller om de har utsatts för slag.	X		
Byt knivbladet om det är böjt eller skadat.	X		
Se till att skruvar och muttrar är åtdragna.	X		
Se till att batteriet inte är skadat.	X		

Underhåll	Före användning	Vecko	Varje månad
Se till att batteriet är laddat.	X		
Se till att batteriladdaren inte är skadad.	X		
Kontrollera att skruvarna som håller fast knivbladen är ordentligt ådragna.		X	
Kontrollera anslutningarna mellan batteriet och produkten. Kontrollera anslutningen mellan batteriet och batteriladdaren.			X

## Undersöka batteriet och batteriladdaren

1. Undersök om batteriet har skador, till exempel sprickor.
2. Undersök om batteriladdaren har skador, till exempel sprickor.
3. Kontrollera att anslutningssladden till batteriladdaren är oskadad och att inga sprickor finns.

## Rengöra produkten, batteriet och batteriladdaren

1. Rengör produkten med en torr trasa efter användning.
2. Rengör batteriet och batteriladdaren med en torr trasa. Håll batteriets styrspar rena.
3. Kontrollera att kontakterna på batteriet och batteriladdaren är rena innan batteriet sätts i batteriladdaren eller i produkten.

## Inspektera knivbladet

1. Rengör knivbladen från önskat material med ett rostskyddsrengöringsmedel före och efter du använder produkten.
2. Undersök om knivarnas egg har skador och deformationer.

3. Använd en fil för att ta bort grader på knivbladet.
4. Se till att knivbladen kan röra sig fritt.

## Rengöra och smörja knivarna

1. Ta bort önskat material från knivarna innan och efter du använder produkten.
2. Smörj knivarna före längre tids förvaring.

**Notera:** Prata med en serviceverkstad för mer information om rekommenderade rengöringsmedel och smörjmedel.

## Rengöra växeln

Smörj växelhuset om växeln har demonterats av en godkänd serviceverkstad.

- Använd specialfett från Husqvarna. Prata med en serviceverkstad för mer information om rekommenderat fett.
- Använd endast en liten mängd speciellt fett av hög kvalitet.



**OBSERVERA:** Fyll inte växelhuset helt.

## Felsökning

### Tangentbord

LED-skärm	Eventuella fel	Möjliga lösningar
Lysdioden för fel blinkar.	Överbelastning	Skärutrustningen kan inte röra sig fritt. Frigör skärutrustningen.
Produkten startar inte.	Det finns smuts i batteriets kontakter.	Rengör batteriets kontakter med tryckluft eller en mjuk borste.
Lysdioden för fel tänds med rött ljus.	Man måste utföra service på produkten	Vänd dig till en serviceverkstad.



## Batteri

LED-display	Eventuella fel	Möjlig åtgärd
Den gröna lysdioden blinkar.	Låg batterispänning.	Ladda batteriet.
Lysdioden för fel blinkar.	Temperaturavvikelse.	Använd batteriet vid temperaturer mellan -10°C (14°F) och 40°C (104°F).
	För hög spänning.	Se till att nätspänningen är i linje med det värde som anges på produktens typskylt. Ta ut batteriet ur batteriladdaren.
Lysdioden för fel lyser.	För stor batteriskillnad (1 V).	Vänd dig till en serviceverkstad.

## Batteriladdare

Problem	Eventuella fel	Möjlig lösning
Röd lysdiod för fel blinkar.	Temperaturavvikelse.	Använd batteriladdaren i temperaturer mellan 5 °C och 40 °C.
Röd lysdiod för fel tänds.	För stor batteriskillnad (1 V).	Vänd dig till en serviceverkstad.

## Transport, förvaring och kassering

### Transport och förvaring

- Medföljande litiumjonbatterier uppfyller kraven i lagstiftningen för farligt gods.
- Följ de särskilda kraven för förpackning och etiketter för kommersiella transporter, inklusive av tredje parter och speditörer.
- Tala med en person med särskild utbildning i farliga material innan du skickar produkten. Följ alla tillämpliga nationella föreskrifter.
- Använd tejp på öppna kontakter när du lägger batteriet i en förpackning. Lägg batteriet trångt i förpackningen för att förhindra rörelse.
- Ta ur batteriet vid förvaring eller transport.
- Placera batteriet och batteriladdaren i ett utrymme som är torrt och fritt från fukt och frost.
- Förvara inte batteriet på ställen där statisk elektricitet kan uppkomma. Förvara inte batteriet i en metallåda.
- Förvara batteriet på en plats där temperaturen är mellan 5 och 25 °C, och inte i direkt solljus.
- Förvara batteriladdaren på en plats där temperaturen är mellan 5 och 45 °C, och inte i direkt solljus.
- Använd endast batteriladdaren när omgivningstemperaturen är mellan 5 och 40 °C.

- Ladda batteriet till 30–50 % innan du förvarar det under längre perioder.
- Förvara batteriladdaren på en plats som är stängd och torr.
- Håll batteriet borta från laddaren under förvaring. Låt inte barn och personer som inte är godkända röra utrustningen. Förvara utrustningen på en plats som du kan låsa.
- Rengör produkten och gör en fullständig service innan du ska förvara produkten under en längre tid.
- Använd transportskydd på produkten för att förhindra personskador eller skador på produkten under transport och förvaring.
- Sätt fast produkten under transport.

### Avyttring av batteriet, laddaren och produkten

Symbolerna på produkten eller dess förpackning indikerar att denna produkt inte får hanteras som hushållsavfall. Återvinn den vid en återvinningsstation för elektrisk och elektronisk utrustning. Detta bidrar till att förhindra skador på miljön och personskador.

Kontakta lokala myndigheter, hushållsavfallservice eller en återförsäljare för mer information om hur produkten kan återvinnas.

## Tekniska data

### Tekniska data

	<b>120ITK4-H</b>
<b>Motor</b>	
Typ av motor	PMDC 36V
<b>Vikt</b>	
Vikt utan batteri, kg	4,6
Vikt med batteri (standardbatteri BLi10), kg	5,3
<b>Emission av buller<sup>31</sup></b>	
Ljudeffektnivå, uppmätt dB(A)	91,32
Ljudeffektnivå, garanterad $L_{WA}$ dB(A)	94
<b>Ljudnivåer<sup>32</sup></b>	
Ljudtrycksnivå vid användarens öra, uppmätt enligt SS-EN 62841-1 och SS-EN 62841-4-2, dB(A)	81,3
<b>Vibrationsnivåer<sup>33</sup></b>	
Vibrationsnivåer ( $a_h$ ) vid främre/bakre handtag, $m/s^2$ . Se SS-EN 62841-1 och SS-EN 62841-4-2.	1,223/0,816
<b>Skärutrustning</b>	
Type	Dubbelsidig
Knivlängd, mm	500
Knivhastighet klipp/min i SavE-läge	2 250
Knivhastighet klipp/min i andra lägen än SavE-läge	2 800

### Godkända batteriladdare

<b>Batteriladdare</b>	<b>QC80</b>
Ingående spänning, V	100–240
Frekvens, Hz	50–60

<sup>31</sup> Emission av buller till omgivningen uppmätt som ljudeffekt ( $L_{WA}$ ) enligt EG-direktiv 2000/14/EG. Skillnaden mellan garanterad och uppmätt ljudeffekt är att den garanterade ljudeffekten också inkluderar spridning i mätresultatet och variationen mellan olika produkter av samma modell enligt direktiv 2000/14/EG.

<sup>32</sup> Typisk statistisk spridning för ekvivalent ljudtrycksnivå är en standardavvikelse på 3 dB(A).

<sup>33</sup> Rapporterade data för vibrationsnivå har en typisk statistisk spridning (standardavvikelse) på 1,5  $m/s^2$ .

Det deklarerade totala vibrationsvärdet har uppmätts i enlighet med en standardtestmetod och kan användas för jämförelse av ett verktyg med ett annat.

Det deklarerade totala vibrationsvärdet kan även användas vid en preliminär bedömning av exponering.

<b>Batteriladdare</b>	<b>QC80</b>
Effekt, W	100
Utspanning, V DC/A	36/2

### Godkända batterier för produkten

<b>Batteri</b>	<b>BLi10</b>
Type	Litiumjonbatteri
Batterikapacitet, Ah	Se batteritypskylten
Nominell spänning, V	36
Vikt, kg	0,7

**KEES VAN DER SPEK**  
 TUINMACHINES ★ STOLWIJK

---

# EG-försäkran om överensstämmelse

---

## EG-försäkran om överensstämmelse

**Husqvarna AB**, 561 82 Huskvarna, Sverige, tel:  
+46-36-146500, försäkrar härmed att stånghäcksaxen  
**Husqvarna 120ITK4-H** med serienummer från 2021 och  
framåt (året anges tydligt på typskylten, följt av  
serienumret) motsvarar föreskrifterna i RÅDETS  
DIREKTIV:

- av den 17 maj 2006 "angående maskiner" **2006/42/EG**
- av den 26 februari 2014 "angående elektromagnetisk kompatibilitet" **2014/30/EU**
- av den 8 juni 2011 angående "begränsning av användning av vissa farliga ämnen" **2011/65/EU**.

Följande standarder har tillämpats:

**EN 62841-1:2015, EN 62841-4-2:2019, EN  
55014-1:2017+A11, EN 55014-2:2015,  
CISPR12:2007+A1 2009, EN IEC 63000:2018.**

TÜV Rheinland LGA Products GmbH, Tillystrasse 2,  
D-90431 Nuernberg, Germany, har utfört frivillig  
typkontroll på uppdrag av Husqvarna AB. Certifi katet  
har nummer: **AM 50491653 0001**.

Huskvarna 2020-12-30



The image shows a handwritten signature in black ink, which appears to be 'Pär Martinsson'. To the right of the signature is a large, semi-transparent watermark logo for 'KEES VAN DER SPEK'. Below the name 'KEES VAN DER SPEK' are the words 'CHINES' and 'STOLWIJK' separated by a star symbol.

Pär Martinsson, utvecklingschef (auktoriserad  
representant för Husqvarna AB och ansvarig för tekniskt  
underlag)

## Obsah

Úvod.....	197	Odstraňování problémů.....	210
Bezpečnost.....	199	Přeprava, skladování a likvidace.....	210
Montáž.....	205	Technické údaje.....	211
Provoz.....	206	ES Prohlášení o shodě.....	213
Údržba.....	208		

## Úvod

### Popis výrobku

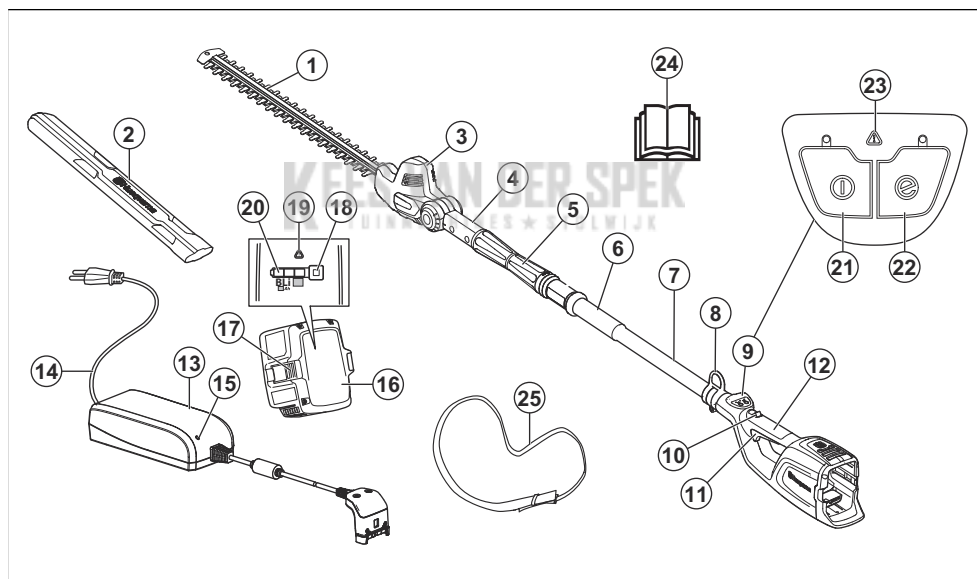
Husqvarna 120iTK4-H jsou akumulátorové teleskopické tyčové nůžky na živý plot.

Nepřetržitě pracujeme na tom, abychom zvýšili vaši bezpečnost a efektivitu při používání. Další informace získáte u svého prodejce poskytujícího servis.

### Doporučené použití

Používejte výrobek ke stříhání větvíček. K jiným činnostem výrobek nepoužívejte.

### Popis výrobku



1. Nůž
2. Přepravní kryt
3. Kryt
4. Rukojeť pro rozpojení
5. Teleskopická funkce
6. Přední rukojeť
7. Hřídel
8. Opěrný hák nosného popruhu
9. Klávesnice
10. Pojistka páčky spínače
11. Páčka spínače
12. Zadní rukojeť
13. Nabíječka baterií
14. Šňůra
15. Indikátor napájení a varovná kontrolka LED
16. Baterie
17. Tlačítka pro uvolnění baterie
18. Tlačítka ukazatele stavu baterie
19. Výstražná kontrolka LED
20. Kontrolka LED stavu baterie

21. Vypínač
22. Tlačítko Save (Úspora energie)
23. Výstražná kontrolka LED
24. Návod k používání
25. Popruh

## Symbole na výrobku



**VAROVÁNÍ!** Tento výrobek je nebezpečný. Pokud není výrobek používán obezřetně a řádně, může dojít k zranění nebo usmrcení obsluhy či osob v okolí. Aby se zabránilo zranění obsluhy a osob v okolí, přečtete si a dodržujte všechny bezpečnostní pokyny uvedené v návodu k používání. Před použitím si pozorně prostudujte tento návod k používání a nepoužívejte výrobek, pokud návodu zcela nerozumíte.



Používejte ochrannou přilbu v místech, kde hrozí pád předmětů. Vždy používejte schválenou ochranu sluchu. Vždy používejte schválenou ochranu očí.



Používejte schválené ochranné rukavice.



Výrobek odpovídá příslušným směrnici ES.

Jmenovité napětí, V



Stejnoseměrný proud.



Nevystavujte dešti.



Nepřibližujte ruce k nožům.



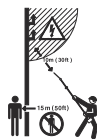
Teleskopická funkce.



Funkce rozpojení.



Otočením doleva knoflík uvolníte, otočením doprava jej utáhnete.



Tento výrobek nemá izolaci. Pokud se výrobek dostane do blízkosti vodičů s vysokým napětím, může to mít za následek smrtelné nebo vážné zranění. Proud může přeskočit z jednoho místa na druhé elektrickým obloukem. Čím vyšší je napětí, tím větší je vzdálenost, kterou může oblouk přeskočit. Proud může rovněž procházet mezi větvemi nebo jinými předměty, zejména pokud jsou vlhké. Vždy udržujte minimální vzdálenost 10 m mezi výrobkem a vodiči vysokého napětí nebo dalšími předměty, které se jich mohou dotýkat. Jestliže musíte pracovat uvnitř této bezpečnostní vzdálenosti, vždy se obraťte na příslušnou rozvodnou společnost a zajistěte vypnutí elektřiny dříve, než zahájíte práci. Při práci udržujte vzdálenost minimálně 15 m od dalších osob a zvířat.

yyyywwxxxx

Typový štítek s výrobním číslem. **yyyy** znamená rok výroby, **ww** znamená týden výroby.

**Povšimněte si:** Další symboly/štítky na výrobku se týkají certifikačních požadavků pro určité obchodní trhy.

## Symbole za baterií nebo na nabíječce baterií



Odevzdejte výrobek ve stanici pro recyklaci elektrických a elektronických zařízení. (Platí pouze pro Evropu)



Transformátor se zabezpečením proti selhání.



Nabíječku baterií používejte a skladujte pouze ve vnitřních prostorech.



Dvojitá izolace.

## Odpovědnost za výrobek

Jak uvádí zákon o odpovědnosti za výrobek, neneseme odpovědnost za žádnou škodu způsobenou našim výrobkem, pokud:

- byl výrobek nesprávně opraven.

- byl výrobek opraven pomocí součástí od jiného výrobce nebo součástí, které nejsou výrobcem schváleny.
- má výrobek příslušenství od jiného výrobce nebo příslušenství, které není výrobcem schváleno.

- výrobek nebyl opraven ve schváleném servisním středisku nebo schváleným odborníkem.

## Bezpečnost

### Definice týkající se bezpečnosti

Varování, upozornění a poznámky slouží jako upozornění na specifické důležité části návodu.



**VÝSTRAHA:** Používá se v případě nebezpečí úrazu nebo usmrcení obsluhy nebo okolních osob, pokud nejsou dodrženy pokyny uvedené v této příručce.



**VAROVÁNÍ:** Používá se v případě nebezpečí poškození výrobku, dalších materiálů či škod na majetku v blízkém okolí, pokud nejsou dodrženy pokyny uvedené v této příručce.

**Povšimněte si:** Používá se k poskytnutí dalších informací, které jsou nezbytné v dané situaci.

### Obecné bezpečnostní výstrahy pro elektrické nářadí



**VÝSTRAHA:** Pozorně si přečtěte všechna bezpečnostní upozornění a pokyny. Při nedodržení upozornění a pokynů může dojít k úrazu elektrickým proudem, požáru nebo vážnému poranění.

**Povšimněte si:** Uložte si veškerá upozornění a pokyny pro použití v budoucnu. Termín „elektrický nástroj“ v upozorněních označuje buď nástroj napájený ze sítě (kabelem), nebo napájený baterií (bezdrátový).

### Bezpečnost pracovního prostoru

- **Udržujte pracovní prostor čistý a dobře osvětlený.** Přeplněné či tmavé prostory nahrávají nehodám.
- **Nepoužívejte elektrické nástroje ve výbušném prostředí, například v přítomnosti hořlavých kapalin, plynů či prachu.** Elektrické nástroje vytvářejí jiskry, které mohou zapálit prach nebo výpary.
- **Při práci s elektrickým nástrojem musí být děti i okolostojící osoby v dostatečné vzdálenosti.** Rozptýlení může způsobit, že ztratíte kontrolu nad nástrojem.

### Bezpečnost při používání el. energie

- **Zástrčky elektrických nástrojů musí odpovídat elektrické zásuvce. Nikdy zásuvku žádným způsobem neupravujte. U uzemněných elektrických nástrojů nepoužívejte žádné adaptéry.** Původní zástrčky a odpovídající zásuvky snižují nebezpečí úrazu elektrickým proudem.
- **Zabraňte tělesnému kontaktu s uzemněnými povrchy, např. trubkami, radiátory, sporáky a chladničkami.** Pokud je lidské tělo uzemněno, hrozí větší nebezpečí úrazu el. proudem.
- **Nevystavujte elektrické nástroje dešti nebo působení vlhkosti.** Pokud do elektrického nástroje vnikne voda, zvyšuje se nebezpečí úrazu elektrickým proudem.
- **Nezacházejte hrubě s napájecím kabelem. Nikdy elektrický nástroj nenoste za kabel. Za kabel netahejte a neodpojujte nástroj od sítě taháním za kabel. Nevystavujte napájecí kabel působení tepla, oleje, nepoškoďte ho ostrými hranami nebo pohyblivými částmi.** Poškozený nebo ohnutý kabel zvyšuje nebezpečí úrazu elektrickým proudem.
- **Při používání elektrického nástroje venku použijte prodlužovací kabel určený pro venkovní použití.** Použití kabelu určeného pro venkovní použití snižuje nebezpečí úrazu elektrickým proudem.
- **Pokud je nezbytné pracovat s el. nástrojem ve vlhkém prostředí, použijte zdroj s proudovým chráničem.** Použití proudového chrániče snižuje nebezpečí úrazu elektrickým proudem.

### Osobní bezpečnost

- **Při práci s elektrickým nástrojem dávejte pozor, sledujte, co děláte a používejte zdravý rozum. Nepracujte s elektrickým nástrojem, pokud jste unaveni nebo jste pod vlivem drog, alkoholu či léků.** Při práci s elektrickým nástrojem stačí okamžik nepozornosti a následkem může být vážný úraz.
- **Používejte osobní ochranné pomůcky. Vždy používejte ochranu zraku.** Ochranné vybavení, např. protiprachová maska, nekouzavá ochranná obuv, přilba nebo ochrana sluchu, použité správným způsobem snižují nebezpečí úrazu.
- **Zabraňte náhodnému spuštění. Před připojením k el. napájení nebo vložením baterií, zvednutím nebo nošením nástroje se přesvědčte, že je vypínač v poloze vypnuto.** Přenášením elektrických nástrojů s prstem na spoušti nebo zapnutých elektrických nástrojů nahráváte nehodám.
- **Před zapnutím el. nástroje vyjměte jakýkoli seřizovací klíč nebo klíč na matice.** Klíč ponechaný na rotující části el. nástroje může způsobit úraz.

- **Nenatahujte se příliš daleko. Neustále pevně stůjte a držte rovnováhu.** Budete tak mít lepší kontrolu nad nástrojem v neočekávaných situacích.
- **Noste vhodný oděv. Nenoste volně obléčení ani šperky. Udržujte vlasy a oděv mimo dosah pohyblivých částí.** Pohyblivé části mohou zachytit volný oděv, šperky nebo dlouhé vlasy.
- **Pokud jsou zařízení přizpůsobena pro připojení odsavačů a lapačů prachu, musí být připojeny a správně použity.** Použitím lapačů prachu snižujete rizika spojená s výskytem prachu.
- **Nedovoľte, aby rutina nabytá častým používáním nástrojů způsobila, že začnete být neopatrní a budete ignorovat bezpečnostní zásady při zacházení s nástrojem.** Neopatrný úkon může způsobit vážné zranění ve zlomku sekundy.
- Emise vibrací během skutečného používání elektrického nástroje se mohou lišit od deklarované celkové hodnoty podle způsobu použití nástroje. Uživatelé musí podniknout bezpečnostní opatření, která je ochrání, založená na odhadu rizik při skutečných podmínkách během používání (musí být v úvahu všechny části provozního cyklu, kromě zapínání např. také vypínání a běh stroje ve volnoběžných otáčkách).

## Použití elektrických nástrojů a péče o ně

- **Při práci s elektrickými nástroji nepoužívejte násilí. Používejte správný elektrický nástroj pro danou aplikaci.** Správný elektrický nástroj vykoná práci lépe a bezpečněji rychleji, pro kterou byl navržen.
- **Nepoužívejte el. nástroj, pokud nefunguje vypínač pro zapnutí a vypnutí.** Každý elektrický nástroj, který nelze ovládat vypínačem, je nebezpečný a musí se opravit.
- **Před jakýmkoli nastavováním, výměnou příslušenství nebo uložením el. nástroje odpojte zástrčku od napájení nebo vyndejte z nástroje baterie.** Takováto preventivní bezpečnostní opatření snižují riziko náhodného spuštění el. nástroje.
- **Nepoužívané el. nástroje ukládejte mimo dosah dětí a nedovoľte, aby s nástrojem pracovaly osoby, které ho dobře neznají nebo si nepřečetly tento návod k použití nástroje.** Elektrické nástroje jsou v rukou neproškolených uživatelů nebezpečné.
- **Provádějte údržbu el. nástrojů.** Kontrolujte chybné zarovnání nebo spojení pohyblivých částí, rozbítí jakýchkoli částí nebo jiné stavy, které mohou ovlivnit provoz elektrického nástroje. Pokud je elektrický nástroj poškozen, nechte ho opravit. Mnohé nehody jsou způsobeny špatnou údržbou elektrických nástrojů.
- **Udržujte řezací nástroje ostré a čisté.** Správně udržované řezací nástroje s ostrým ostřím jsou méně náchylné k „zakousnutí“ a snadněji se ovládají.
- **Používejte elektrický nástroj, příslušenství a vsazené nože podle těchto pokynů. V úvahu je třeba brát pracovní podmínky a prováděnou práci.** Použitím elektrického nástroje k jinému účelu, než pro který je

určen, může mít za následek vznik nebezpečné situace.

- **Rukojeti a uchopovací plochy udržujte suché, čisté a bez zbytků oleje a maziva.** Kluzké rukojeti a uchopovací plochy neumožňují bezpečné ovládání a v neočekávaných situacích může dojít ke ztrátě kontroly.

## Použití nástrojů napájených z baterie a péče o ně

- **Baterii dobijte pouze nabíječkou specifikovanou výrobcem.** Použití nabíječky vhodné pro jeden typ baterie může pro jiný typ baterie představovat nebezpečí vzniku požáru.
- **El. nástroje používejte pouze s příslušnými speciálními bateriovými moduly.** Při použití jakékoli jiné baterie hrozí riziko úrazu a požáru.
- **Když baterii nepoužíváte, udržujte ji stranou od kovových předmětů, např. kancelářských sponek, mincí, klíčů, hřebíků, šroubů nebo jiných malých kovových předmětů, které by mohly spojit kontakty baterie.** Při zkratování kontaktů baterie může dojít k popáleninám nebo k požáru.
- **V nevhodných podmínkách může dojít k vytečení kapaliny z baterie; vyvarujte se kontaktu s kapalinou.** Pokud dojde k náhodnému kontaktu, opláchněte postouzené místo vodou. Při zasažení očí kapalinou vyhledejte lékařskou pomoc. Kapalina vyteklá z baterie může způsobit podráždění nebo popáleniny.
- **Nepoužívejte poškozenou nebo upravenou baterii nebo výrobek.** Poškozené nebo upravené baterie mohou vykazovat neočekávané chování vedoucí k požáru, výbuchu nebo nebezpečí poranění.
- **Nevystavujte baterii ani nástroj ohni a nadměrným teplotám.** Vystavení ohni a teplotám nad 130 °C / 265°F může způsobit explozi.
- **Dodržujte veškeré pokyny k nabíjení a nenabíjete baterii ani nástroj mimo rozsah teplot uvedený v pokynech.** Nesprávné nabíjení nebo nabíjení při teplotách mimo uvedený rozsah může mít za následek poškození baterie a zvýšené nebezpečí požáru.

## Servis

- **Servis elektrického nástroje smí provádět pouze kvalifikovaná osoba za použití identických náhradních součástek.** Tím bude zajištěna bezpečnost elektrického nástroje.
- **Nikdy neprovádějte servis poškozených baterií.** Servis baterií smí provádět pouze výrobce nebo autorizovaný servis.

## Bezpečnostní pokyny pro nůžky na živý plot

- **Všechny části těla udržujte mimo dosah stříhací lišty. Dokud se nože pohybují, neodstraňujte nastříhaný materiál ani materiál nepřidržujte.** Nože se pohybují i po vypnutí spínače. Chvilková nepozornost při práci s nůžkami na živý plot může mít za následek vážný úraz.



- **Při přinášení držte nůžky na živý plot se zastavenou řezací lištou za rukojeť a dbejte na to, aby nedošlo k nechtěnému kontaktu s vypínačem.** Správnou manipulací s nůžkami na živý plot snížíte riziko neúmyslného spuštění a následného poranění noží.
- **Při přepravě nebo skladování nůžek na živý plot vždy nasaďte na stříhací lištu ochranný kryt.** Správnou manipulací s nůžkami na živý plot snížíte riziko poranění noží.
- **Před odstraněním uvízlého materiálu nebo údržbou nástroje se ujistěte, že je vše vypnuto a napájecí kabel je odpojen.** Neočekávaná aktivace nůžek nůžky na živý plot při odstraňování uvízlého materiálu nebo provádění údržby může mít za následek vážný úraz.
- **Držte nůžky na živý plot pouze za izolovaný povrch určený k uchopení, protože stříhací lišta by se mohla dostat do kontaktu se skrytou kabeláží nebo vlastním kabelem.** Když se dostanou nože do kontaktu s vodičem pod proudem, elektrický proud se může přenést na obnažené kovové části nůžek na živý plot a mohlo by dojít k zásahu obsluhy elektrickým proudem.
- **Udržujte všechny napájecí a jiné kabely mimo oblast řezání.** Napájecí a další kabely se mohou nacházet v plotě či křoví a mohlo by dojít k jejich náhodnému přefixnutí stříhací lištou.
- **Nůžky na živý plot nepoužívejte při špatném počasí, zvláště pokud existuje riziko blesku.** Snížíte tak riziko zasažení bleskem.
- **Nůžky na živý plot s prodlouženým dosahem nikdy nepoužívejte v blízkosti drátů elektrického vedení. Snížíte tím riziko úrazu elektrickým proudem.** Použití v blízkosti elektrického vedení či kontakt s ním může způsobit vážné zranění nebo smrtelný zásah elektrickým proudem.
- **Při provozu nůžek na živý plot s prodlouženým dosahem vždy používejte obě ruce.** Nůžky na živý plot s prodlouženým dosahem držte oběma rukama, abyste předešli ztrátě kontroly.
- **Při provozu nůžek na živý plot s prodlouženým dosahem vždy používejte ochranu hlavy.** Padající úlomky mohou způsobit vážné zranění.

## Obecné bezpečnostní pokyny



**VÝSTRAHA:** Před použitím výrobku si přečtěte následující varování.

- Aby nemohlo dojít k nechtěnému spuštění výrobku, vyjměte baterii.
- Při neopatrném nebo nesprávném použití se stává tento výrobek velmi nebezpečným nástrojem. Tento výrobek může způsobit úrazu a dalším osobám vážné zranění.
- Pokud se změní původní specifikace výrobku, nepoužívejte ho. Bez schválení výrobcem nemějte žádné součásti výrobku. Používejte výhradně

součásti schválené výrobcem. Nesprávná údržba může mít za následek zranění nebo smrt.

- Před použitím výrobek zkontrolujte. Viz *Bezpečnostní zařízení na produktu na strani 203 a Údržba na strani 208.* Nepoužívejte vadný výrobek. Dodržujte pokyny pro kontrolu, údržbu a servis popsané v této příručce.
- Děti by měly být pod dozorem, aby si s výrobkem nehrály. Výrobek ani baterii nikdy nedovolte používat dětem nebo osobám, které nejsou k jejich používání vyškoleny. Věk obsluhy může být upraven místními zákony.
- Skladujte výrobek na uzamčeném místě, aby se zamezilo přístupům dětí a neoprávněných osob.
- Výrobek uchovávejte mimo dosah dětí.
- Konstrukce produktu nesmí být za žádných okolností upravována bez svolení výrobce. Vždy používejte originální příslušenství. Nepovolené úpravy nebo příslušenství mohou vést k vážnému nebo smrtelnému zranění obsluhy nebo jiných osob.

**Povšimněte si:** Použití může být upraveno národními nebo místními předpisy. Dodržujte příslušné předpisy.

## Bezpečnostní pokyny pro provoz



**VÝSTRAHA:** Před použitím výrobku si přečtěte následující varování.

- Dostanete-li se do situace, kdy pocítíte jakoukoliv pochybnost co do práce s vybavením, požádejte o radu odborníka. Spojte se s vaším prodejcem nebo servisem. Nepoužívejte vybavení, necítíte-li se dostatečně kvalifikováni.
- Nikdy výrobek nepoužívejte, když jste unaveni, po požití alkoholu či jiných drog nebo když užíváte léky, které mohou ovlivnit váš zrak, odhad nebo koordinaci pohybů.
- Práce za nepříznivého počasí je únavná a často může zahrnovat další nebezpečí. Kvůli dalším možným nebezpečím nedoporučujeme používat stroj za špatného počasí, například v husté mlze, prudkém dešti, silném mrazu, při riziku výskytu blesků atd.
- Nesprávný sekací nástavec zvyšuje nebezpečí úrazu.
- Nenechte děti používat výrobek nebo se zdržovat v jeho blízkosti. Jelikož lze výrobek snadno spustit, mohou jej spustit i děti, pokud nejsou celou dobu pod dozorem. Tím může dojít k nebezpečí vážného úrazu. V době, kdy není výrobek plně pod dozorem, musí být odpojená baterie.
- Zajistěte, aby se během práce nevyskytovaly v okruhu 15 metrů žádné osoby nebo zvířata. Pokud na stejném pracovišti pracuje více uživatelů, musí být udržována bezpečnostní vzdálenost nejméně 15 metrů. Jinak hrozí nebezpečí vážného zranění

osob. Jestliže se někdo přiblíží, okamžitě vypněte výrobek. Nikdy neotáčejte výrobek, aniž byste se nejprve podívali za sebe a zkontrolovali, zda se někdo nenachází v bezpečnostní zóně.

- Zajistěte, aby další osoby, zvířata nebo jiné věci nemohly ovlivnit vaši kontrolu nad výrobkem a aby nemohly přijít do kontaktu se sekacím nástavcem nebo volnými předměty, které odmrští sekací nástavec. Nepracujte ale s výrobkem, nemáte-li možnost přivolat pomoc v případě nehody.
- Vždy zkontrolujte pracovní oblast. Odstraňte veškeré volné předměty, jako jsou kameny, střepy, hřebíky, ocelové dráty, šňůry apod., které by mohly být odmrštěny nebo zachyceny sekacím nástavcem.
- Ujistěte se, že se můžete volně pohybovat a bezpečně stát. Zkontrolujte, zda ve vašem bezprostředním okolí nejsou nějaké překážky (kořeny, kameny, větve, jámy, příkopy apod.), pro případ, že by bylo nutné se rychle přesunout. Zvláštní pozornost věnujte práci ve svažitém terénu.
- Neustále udržujte dobrou rovnováhu a pevný postoj. Nenatahujte se příliš daleko.
- Před přemístěním do jiné oblasti vypněte výrobek. Jestliže výrobek nepoužíváte, nasadte přepravní kryt.
- Nikdy neodkládejte výrobek, dokud jej nedeaktivujete. Nenechávejte výrobek bez dozoru, když je spuštěný.
- Než předáte výrobek jiné osobě, vyjměte baterii.
- Dbejte na to, aby se žádné části oděvu nebo těla nedostaly do kontaktu se sekacím nástavcem aktivovaného výrobku.
- Pokud nějaký předmět uvízne v řezacím nástavci při použití výrobku, vypněte jej a deaktivujte. Zkontrolujte, zda se řezací nástavec zcela zastavil. Před kontrolou, čištěním nebo opravou výrobku nebo řezacího nástavce vyjměte baterii.
- Při vypnutí výrobku se rukama ani nohama nepřibližujte k sekacímu nástavci, dokud se zcela nezastaví.
- Dávejte pozor na větve nebo pahýly, které mohou během řezání odlétávat. Nesekejte příliš blízko u země, odkud by mohly odlétávat kameny nebo jiné předměty.
- Dejte pozor na odmrštěné předměty. Použijte vždy schválenou ochranu očí. Nikdy se nenahýbejte nad kryt sekacího nástavce. Odlétávající kamení nebo jiný materiál může zasáhnout oči a způsobit oslepnutí nebo jiná vážná zranění.
- Používejte-li ochranu sluchu, vždy je nutné dávat pozor na výstražné signály nebo volání. Sejměte vždy ochranu sluchu ihned po zastavení výrobku.
- Nikdy nepracujte ze žebříku, stoličky nebo v jiné zvýšené poloze, která není dokonale zajištěna.
- Tento stroj vytváří během provozu elektromagnetické pole. Toto pole může za určitých okolností narušovat funkci aktivních či pasivních implantovaných lékařských přístrojů. Pro snížení rizika vážného či smrtelného poranění doporučujeme

osobám s implantovanými lékařskými přístroji poradit se před použitím stroje s lékařem a s výrobcem implantovaného lékařského přístroje.

- Vždy držte výrobek oběma rukama. Výrobek držte po své pravé straně.
- Vždy zastavte výrobek, vyjměte baterii a zkontrolujte, zda se sekací zařízení neotáčí, než se pokusíte odstranit materiál namotaný na hřídeli náhonu kotouče nebo zachycený mezi krytem a sekacím nástavcem.
- Elektromagnetické pole může během provozu rušit aktivní nebo pasivní lékařské implantáty. Důrazně doporučujeme osobám s implantovanými lékařskými přístroji poradit se před použitím tohoto výrobku s lékařem a s výrobcem implantovaného lékařského přístroje.
- Nechte nosný popruh, aby nesl váhu výrobku. Taktó bude možné výrobek snáze ovládat.
- Dlouhodobé vystavování působení hluku může vést k trvalému poškození sluchu. Společnost Husqvarna doporučuje obsluze používat schválenou ochranu sluchu.
- Nikdy nepoužívejte výrobek, jehož konstrukce byla jakkoli pozměněna oproti jeho původním specifikacím.
- Nikdy nepoužívejte produkt, který není zcela v pořádku. Dodržujte pokyny pro kontrolu, údržbu a servis popsané v této příručce. Některé úkony údržby a opravy mohou provádět pouze vyškolení a kvalifikovaní odborníci. Viz pokyny v části Údržba.
- Před použitím důkladně zkontrolujte celý výrobek. Viz plán údržby.
- Nedovoľte pracovat se strojem nikomu, kdo si předem nepřčetl a neporozuměl obsahu návodu k použití.
- Zkontrolujte, zda se v pracovní oblasti nenacházejí cizí objekty, jako například zvířata či elektrické kabely nebo jiné, především kovové objekty, které mohou poškodit žací ústrojí.
- Poškozené nože mohou zvýšit nebezpečí vzniku nehod.

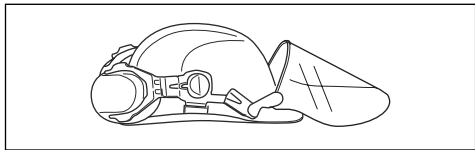
## Osobní ochranné prostředky



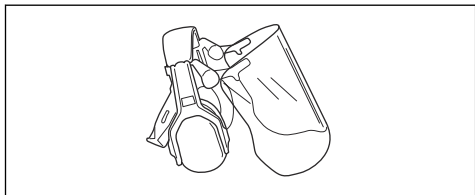
**VÝSTRAHA:** Před použitím výrobku si přečtěte následující varování.

- Při použití výrobku je nutné vždy používat schválené osobní ochranné prostředky. Osobní ochranné prostředky nemohou zcela eliminovat nebezpečí úrazu, ale v případě nehody pomáhají snížit míru poranění. Požádejte prodejce, aby vám pomohl vybrat správné vybavení.

- Používejte ochrannou přilbu tam, kde hrozí nebezpečí padajících předmětů.

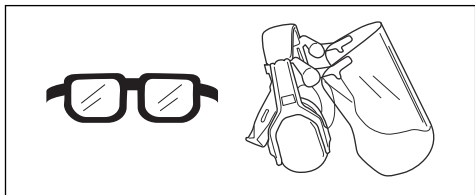


- Dlouhodobé vystavování působení hluku může vést k poškození sluchu. V obecné rovině jsou výrobky napájené baterií relativně tiché, ale k nepříznivým účinkům může dojít v kombinaci hladiny hluku a dlouhého používání. Společnost Husqvarna doporučuje, aby obsluha používala ochranu sluchu při dlouhodobém používání. Pravidelní uživatelé, kteří používají výrobek po delší nepřerušovanou dobu, by si měli nechat pravidelně kontrolovat sluch.

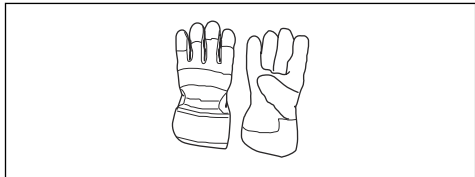


**VÝSTRAHA:** Ochrana sluchu neomezuje pouze možnost slyšet zvuky, ale rovněž varovné signály.

- Vždy používejte schválenou ochranu očí. Použijete-li štít, je nutno použít i schválené ochranné brýle. Schválené ochranné brýle musí být v souladu s normou ANSI Z87.1 v USA nebo EN 166 v zemích EU.



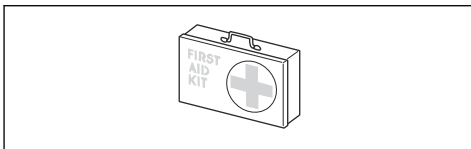
- Při určitých činnostech používejte rukavice, například při nasazování, prohlídce nebo čištění řezacího zařízení.



- Noste oblečení vyrobené z pevné tkaniny. Vždy používejte silné, dlouhé kalhoty a dlouhé rukávy. Nepoužívejte volné oblečení, které se může zachytit o keře nebo větve. Nepoužívejte šperky, krátké

kalhoty nebo sandály a nepracujte bosí. Stáhněte si vlasy bezpečně nahoru nad úroveň ramen.

- Mějte při ruce lékárničku.



## Bezpečnostní zařízení na produktu



**VÝSTRAHA:** Před použitím výrobku si přečtete následující varování.

V této části je popsáno bezpečnostní vybavení výrobku, jeho účel a způsob provádění kontroly a údržby k zajištění správného provozu. Umístění těchto komponentů na výrobku naleznete v pokynech v kapitole *Popis výrobku na strani 197*.

Životnost výrobku se může zkracovat a riziko úrazů zvyšovat, jestliže se údržba neprovádí správně anebo se opravy neprovádějí odborně. Pokud potřebujete další informace, obraťte se na nejbližšího servisního prodejce.



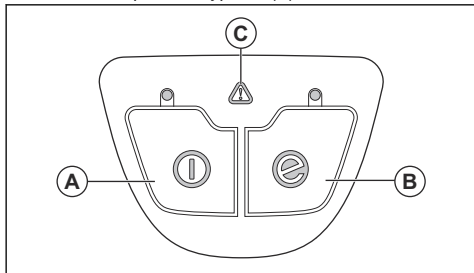
**VÝSTRAHA:** Nikdy výrobek nepoužívejte s vadnými bezpečnostními součástmi. Kontrolu a údržbu bezpečnostního vybavení výrobku je nutno provádět podle postupů uvedených v této části. V případě, že by výrobek nevyhověl při jakékoli z těchto kontrol, je nutno vyhledat autorizované servisní středisko a nechat závadu odstranit.



**VAROVÁNÍ:** Servis a opravy stroje vyžadují speciální odborné školení. To se zvláště týká servisu a oprav bezpečnostního zařízení stroje. V případě, že by stroj nevyhověl při některé z níže uvedených kontrol, je nutno vyhledat servisní opravnu. Každému zákazníkovi, který zakoupí kterýkoli z našich výrobků, zaručujeme dostupnost profesionálních oprav a servisních prací. Pokud prodejce, který vám stroj prodal, neposkytuje servisní práce, požádejte jej o adresu naší nejbližší servisní opravny.

## Kontrola klávesnice

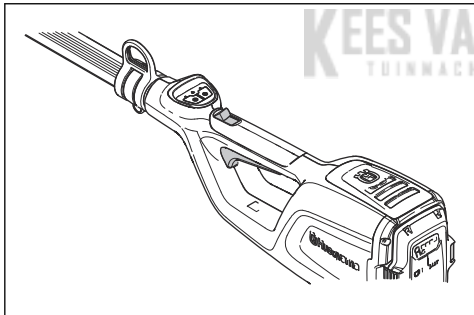
1. Stiskněte a podržte vypínač (A).



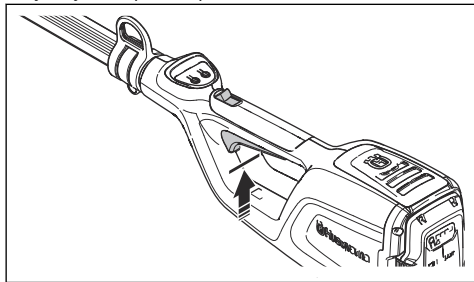
- a) Výrobek je zapnutý, když svítí kontrolka LED.
  - b) Výrobek je vypnutý, když kontrolka LED nesvítí.
2. Informace o funkcích tlačítka SavE (B) naleznete v části *Spuštění funkce SavE na strani 208*.
  3. Pokud svítí nebo bliká varovná kontrolka (C), řiďte se pokyny v části *Odstraňování problémů na strani 210*.

## Kontrola pojistky páčky spínače

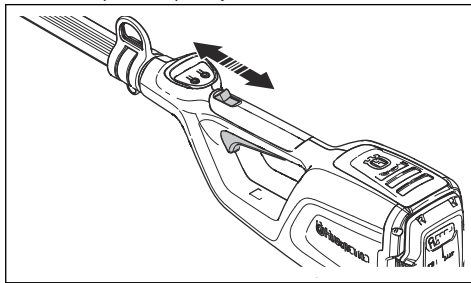
Pojistka páčky spínače brání nechtěnému spuštění výrobku. Při uvolnění rukojeti se páčka spínače a pojistka páčky spínače vrátí zpět do své původní polohy.



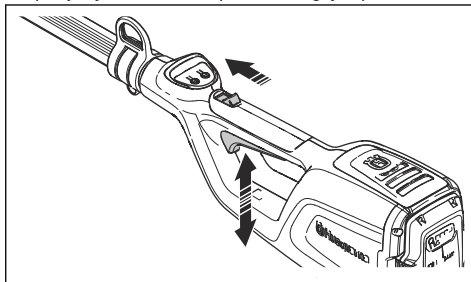
1. Je-li pojistka ve své původní poloze, ujistěte se, zda je zajištěna páčka spínače.



2. Zatáhnete a uvolníte pojistku a ujistěte se, že se vrátí do původní polohy.



3. Zkontrolujte, zda se páčka spínače a pojistka volně pohybují a zda vratná pružina funguje správně.



4. Spusťte výrobek, viz část *Spuštění výrobku na strani 207*.
5. Uveďte výrobek do plných otáček.
6. Uvolněte páčku spínače a zkontrolujte, zda se řezací nástavec zcela zastaví.

## Bezpečnostní pokyny týkající se baterií



**VÝSTRAHA:** Před použitím výrobku si přečtěte následující varování.

- Doporučená baterie je BLi10. Další informace jsou uvedeny v části *Technické údaje na strani 211*. Baterie je softwarově zašifrovaná.
- Používejte pouze baterii BLi10, která je dobíjecí a vhodná jako zdroj napájení pro související výrobky Husqvarna. Abyste zabránili zranění, nepoužívejte baterii jako zdroj napájení pro jiná zařízení.
- Nebezpečí úrazu elektrickým proudem. Vývody baterie nepřipojujte ke klíčům, mincím, šroubkům nebo jiným kovům. Může to způsobit zkrat baterie.
- Nepoužívejte baterie, které nejsou určené k dobíjení.
- Nevkládejte do větracích otvorů baterie žádné předměty.
- Chraňte baterii před sluncem, teplem nebo otevřeným ohněm. Baterie může způsobit popáleniny a/nebo chemické popáleniny.
- Chraňte baterii před deštěm a vlhkým prostředím.
- Chraňte baterii před mikrovlnami a vysokým tlakem.

- Baterii nikdy nerozebírejte nebo nerozbíjejte.
- Pokud baterie netěsní, kapalina nesmí přijít do styku s kůží a očima. Po styku s kapalinou omyjte zasaženou oblast velkým množstvím vody s mýdlem a vyhleďte lékařskou pomoc. Při zasažení očí kapalinou si je nemněte, ale vyplachujte je velkým množstvím vody po dobu minimálně 15 minut a vyhleďte lékařskou pomoc.
- Baterii používejte při teplotě -10 až 40 °C (14 až 114 °F).
- Baterii ani nabíječku baterií nečistěte vodou. Další informace jsou uvedeny v části *Čištění výrobku, baterie a nabíječky baterií na strani 209*.
- Nepoužívejte vadnou nebo poškozenou baterii.
- Baterie uchovávejte mimo dosah kovových předmětů, jako jsou např. hřebíky, šrouby nebo šperky.
- Uchovávejte baterie mimo dosah dětí.

## Bezpečnostní pokyny pro nabíječku baterií



**VÝSTRAHA:** Před použitím výrobku si přečtěte následující varování.

- Pokud nejsou bezpečnostní pokyny dodržovány, hrozí nebezpečí úrazu elektrickým proudem nebo zkrat.
- Nepoužívejte nabíječku, která nebyla dodána s výrobkem. Pro nabíjení baterie BL10 doporučujeme nabíječku QC80.
- Nabíječku baterií nerozebírejte.
- Nepoužívejte vadnou nebo poškozenou nabíječku.
- Nabíječku nezvedejte pomocí napájecího kabelu. Když nabíječku baterií odpojujete z elektrické zásuvky, tahejte za zástrčku. Netahejte za napájecí kabel.
- Všechny kabely včetně prodlužovací udržujte mimo dosah vody, oleje a ostrých hran. Dejte pozor, aby se kabel nezachytil mezi předměty, například do dveří, za plot a podobně.
- Nabíječku nepoužívejte v blízkosti hořlavých nebo korozivních materiálů. Zkontrolujte, zda není nabíječka baterií poškozená. V případě, že zaznamenáte kouř nebo požár, vytáhněte zástrčku kabelu nabíječky baterií ze zásuvky.
- Baterii nabíjejte pouze uvnitř, a to v místech s dobrým prouděním vzduchu a mimo dosah

slunečního světla. Nenabíjejte baterii venku. Nenabíjejte baterii ve vlhkém prostředí.

- Používejte nabíječku baterií pouze v místech, kde je teplota v rozsahu 5 až 40 °C (41 až 104 °F). Nabíječku používejte v dobře větraném, suchém a bezprašném prostředí.
- Nevkládejte do chladicích otvorů nabíječky baterií žádné předměty.
- Nepřipojujte svorky nabíječky baterií ke kovovým předmětům, protože by mohlo dojít ke zkratování nabíječky.
- Používejte schválené a nepoškozené síťové zásuvky. Zkontrolujte, zda není šňůra nabíječky baterií poškozena. Pokud používáte prodlužovací kabely, zkontrolujte, zda nejsou poškozeny.

## Bezpečnostní pokyny pro údržbu



**VÝSTRAHA:** Před prováděním údržby výrobku si přečtěte následující varování.

- Před prováděním údržby, kontroly nebo montáže výrobku vyjměte baterii.
- Obsluha smí provádět pouze takové údržbářské a servisní úkony, které jsou popsány v tomto návodu k používání. Před provedením údržby a servisu většího rozsahu se obraťte na servisního prodejce.
- Baterii ani nabíječku baterií nečistěte vodou. Silné čisticí prostředky mohou způsobit poškození plastových dílů.
- Pokud byste neprováděli údržbu, podstatně by se zkrátil životní cyklus výrobku a zvýšilo se nebezpečí nehod.
- K provádění servisu a opravy je nutné speciální školení, zejména co se týče bezpečnostních zařízení. Pokud není možné po provedení údržby schválit všechny kontroly uvedené v tomto návodu k používání, obraťte se na servisního prodejce. Garantujeme, že jsou pro váš výrobek k dispozici profesionální opravy a servis.
- Udržujte zuby kotouče dobře a správně nabroušené. Postupujte dle našich doporučení. Viz také návod na obalu nože.
- Používejte pouze originální náhradní díly.
- Při manipulaci se stříhacím nástavcem vždy používejte silné rukavice. Nože jsou mimořádně ostré a mohou snadno způsobit zranění.

## Montáž

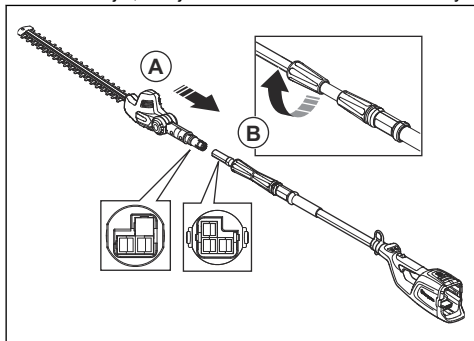
### Úvod



**VÝSTRAHA:** Než začnete montovat výrobek, přečtěte si pozorně kapitolu o bezpečnosti.

## Sestavení hřídele

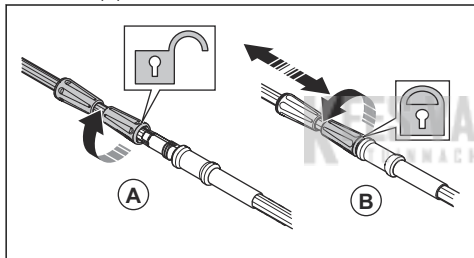
1. Zkontrolujte, zda jsou zarovnané elektrické zástrčky.



2. Zcela zapojte konce hřídele (A).
3. Dotáhněte šroubovací rukojeť na straně hlavy nůžek hřídele (B).

## Upravení délky hřídele

1. Povolte šroubovací rukojeť na straně skříně baterie hřídele (A).

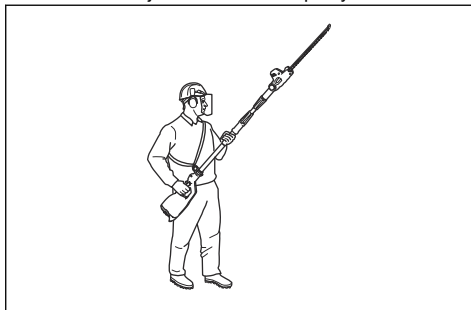


2. Nastavte hřídel na příslušnou délku.
3. Dotáhněte šroubovací rukojeť (B).

## Seřízení popruhu

Při práci s výrobkem vždy používejte nosný popruh. Nosný popruh poskytuje maximální kontrolu při obsluze výrobku. Nosný popruh také snižuje riziko únavy paží a zad.

1. Nasaďte si nosný popruh.
2. Zahákněte výrobek do opěrného háku popruhu.
3. Nastavte délku popruhu tak, aby byl opěrný hák zhruba na stejné úrovni s vaším pravým bokem.



## Provoz

### Úvod



**VÝSTRAHA:** Než začnete s výrobkem pracovat, přečtěte si důkladně kapitulu o bezpečnosti.

### Před spuštěním výrobku

1. Zkontrolujte pracovní oblast. Odstraňte předměty, které mohou být odmrštěny.
2. Zkontrolujte stříhací nástavec. Přesvědčte se, že jsou nože ostré a nejsou naprasklé nebo poškozené.
3. Zkontrolujte, zda výrobek funguje správně. Zkontrolujte, zda jsou všechny matice a šrouby dotažené.

4. Přesvědčte se, že rukojeť a bezpečnostní zařízení nejsou poškozena a jsou připojena správně. Nepoužívejte výrobek s chybějícími součástmi nebo takový, u kterého došlo ke změně oproti původní specifikaci. V případě potřeby použijte ochranné rukavice.
5. Před manipulací s výrobkem se přesvědčte, že kryty nejsou poškozené a jsou správně připojeny.

### Připojení nabíječky baterií

1. Připojte nabíječku baterií ke zdroji s napětím a frekvencí uvedenými na typovém štítku.
2. Zapojte zástrčku do uzemněné elektrické zásuvky. Kontrolka LED na nabíječce baterií jednou zeleně blikne.

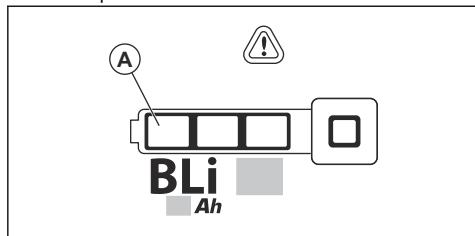
**Povšimněte si:** Baterie se nebude nabíjet, pokud je teplota baterie vyšší než 50 °C (122 °F). Pokud

teplota překročí 50 °C (122 °F), nabíječka baterií ochladí, než ji začne nabíjet.

## Připojení baterie k nabíječce baterií

**Povšimněte si:** Před prvním použitím nabijte baterii. Nová baterie je nabitá pouze na 30 %.

1. Zkontrolujte, zda je baterie suchá.
2. Připojte baterii k nabíječce baterií.
3. Zkontrolujte, zda se rozsvítí zelená kontrolka nabíjení na nabíječce. To znamená, že je baterie správně připojena k nabíječce baterií.
4. Když svítí všechny kontrolky LED (A) baterie, je baterie plně nabitá.



5. Když nabíječku baterií odpojíte z elektrické zásuvky, tahejte za zástrčku. Netahejte za šňůru.
6. Vyjměte baterii z nabíječky.

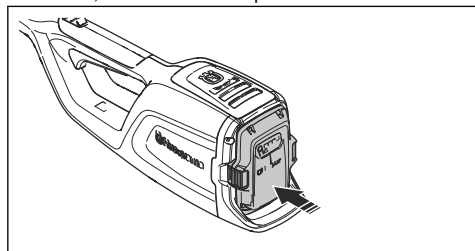
**Povšimněte si:** Další informace naleznete v návodech přiložených k baterii a nabíječce baterií.

## Instalace baterie do výrobku



**VÝSTRAHA:** Ve výrobku použijte výhradně originální baterie Husqvarna.

1. Zkontrolujte, zda je baterie plně nabitá.
2. Vložte baterii do držáku baterie výrobku. Baterie musí jít snadno zasunout do držáku. Pokud to není možné, není instalována správně.

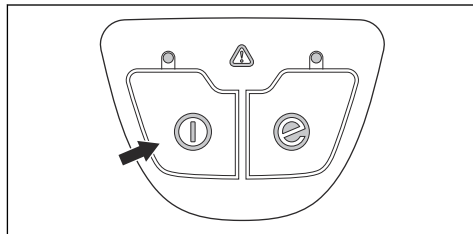


3. Zatlačte na spodní část baterie a zasuňte ji nadoraz do držáku baterie. Baterie je zajištěná na místě, jakmile uslyšíte cvaknutí.

4. Zkontrolujte, zda západky zapadnou do správné polohy.

## Spuštění výrobku

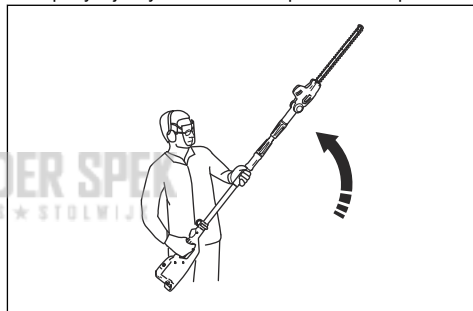
1. Stiskněte a podržte vypínač, dokud se nerozsvítí zelená kontrolka LED.



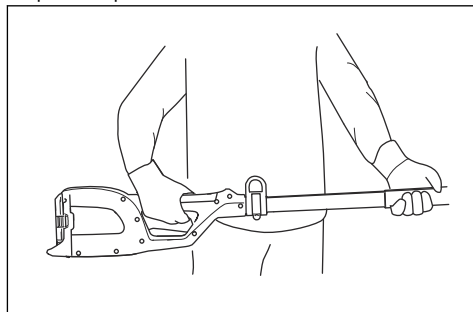
2. Zatáhněte za pojistku páčky spínače a podržte páčku spínače.

## Obsluha výrobku

- Při stříhání boků začněte v blízkosti země a pohybujte výrobkem nahoru podél živého plotu.



- Držte výrobek v blízkosti těla a udržujte stabilní pracovní polohu.

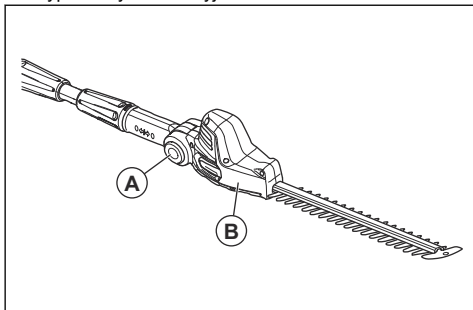


- Zkontrolujte, zda se špička stříhacího zařízení nedotýká země.
- Postupujte opatrně a pracujte pomalu, dokud nebudou správně uříznuté všechny větve.

## Seřízení úhlu řezacího nástavce

Řezací nástavec lze nastavit do 7 různých poloh.

1. Vypněte výrobek a vyjměte baterii.

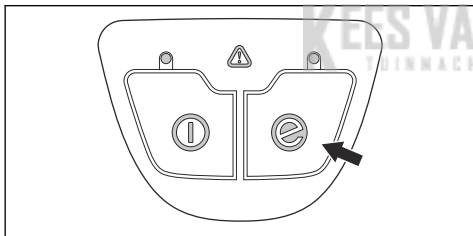


2. Pevně podržte kryt (B).
3. Stiskněte a podržte zajišťovací tlačítka (A) na 2 stranách krytu (B).
4. Nastavte řezací nástavec do správného úhlu.
5. Uvolněte zajišťovací tlačítka (A) na obou stranách.
6. Pohybuje krytem (B) nahoru a dolů, dokud se řezací nástavec nezajistí v dané poloze.

### Spuštění funkce SavE

Tento výrobek je vybaven funkcí SavE. Funkce SavE zajišťuje nejdelší dobu provozu baterie.

1. Stiskněte tlačítko SavE. Zapnutí funkce signalizuje kontrolka LED.



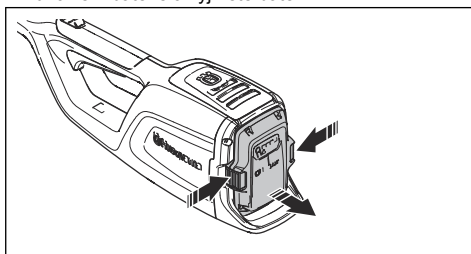
2. Opětovným stiskem tlačítka SavE funkci SavE vypnete.

### Funkce automatického vypnutí

Výrobek je vybaven funkcí automatického vypnutí, která jej zastaví, pokud není používán. Zelená kontrolka LED pro spouštění/zastavení zhasne a výrobek se po 60 sekundách vypne.

### Zastavení výrobku

1. Uvolněte páčku spínače.
2. Stiskněte a podržte vypínač, dokud zelená kontrolka LED nezhasne.
3. Vyjměte baterii z výrobku. Stiskněte 2 tlačítka pro uvolnění baterie a vyjměte baterii.



## Údržba

### Úvod



**VÝSTRAHA:** Než začnete na výrobku provádět údržbu, přečtete si pozorně kapitolu o bezpečnosti.



**VÝSTRAHA:** Před prováděním údržby výrobku vyjměte baterii.

### Plán údržby

Níže je uveden seznam kroků údržby, které musíte provést na výrobku.

Údržba	Před každým použitím	Týdně	Měsíčně
Vyčistěte vnější povrch výrobku.	X		



Údržba	Před každým použitím	Týdně	Měsíčně
Zkontrolujte, zda vypínač funguje a není poškozený.	X		
Zkontrolujte správnou funkci páčky spínače a pojistky páčky spínače z hlediska bezpečnosti.	X		
Zkontrolujte, zda fungují všechny ovládací prvky a zda nejsou poškozené.	X		
Zkontrolujte, zda nejsou na noži a krytu nože praskliny a zda nejsou poškozené. Pokud jsou na nich praskliny nebo byly vystaveny nárazu, nůž nebo kryt nože vyměňte.	X		
Ohnutý nebo poškozený nůž vyměňte.	X		
Zkontrolujte, zda jsou šrouby a matice dotažené.	X		
Zkontrolujte, zda není baterie poškozená.	X		
Zkontrolujte, zda je baterie nabitá.	X		
Zkontrolujte, zda není nabíječka baterií poškozená.	X		
Zkontrolujte, zda šrouby spojující nože jsou správným způsobem dotaženy.		X	
Zkontrolujte spojení mezi baterií a výrobkem. Zkontrolujte spojení mezi baterií a nabíječkou baterií.			X

## Kontrola baterie a nabíječky baterií

1. Zkontrolujte, zda baterie nevykazuje příznaky poškození, např. praskliny.
2. Zkontrolujte, zda nabíječka baterií nevykazuje příznaky poškození, např. praskliny.
3. Zkontrolujte, zda není propojovací kabel nabíječky baterií poškozený a zda na něm nejsou praskliny.

## Čištění výrobku, baterie a nabíječky baterií

1. Po použití vyčistěte výrobek suchou utěrkou.
2. Vyčistěte baterii a nabíječku baterií suchou utěrkou. Udržujte v čistotě vodící kolejničky baterie.
3. Před vložením baterie do nabíječky baterií nebo výrobku zkontrolujte, zda jsou svorky na baterii a nabíječce baterií čisté.

## Kontrola nože

1. Před použitím výrobku a po něm zbavte nože pomocí antikorozního čistícího prostředku nežádoucích materiálů.
2. Přesvědčte se, že ostří nože nejsou poškozená nebo deformovaná.
3. Pomocí pilníku odstraňte z nože otěpy.

4. Zkontrolujte, zda se nože volně pohybují.

## Čištění a mazání nožů

1. Před a po použití výrobku odstraňte z nožů nežádoucí materiály.
2. Před dlouhodobým uložením namažte nože.

**Povšimněte si:** Další informace o doporučených čistících prostředcích a mazivu získáte u svého servisního prodejce.

## Promazání převodovky

Pokud byla převodovka demontována u autorizovaného servisu, naneste na skříň převodovky mazivo.

- Použijte speciální mazivo Husqvarna. Další informace o doporučeném mazivu získáte u svého servisního prodejce.
- Použijte pouze malé množství speciálního vysoce kvalitního maziva.



**VAROVÁNÍ:** Skříň převodovky neplňte naplno.

## Odstraňování problémů

### Klávesnice

Obrazovka LED	Možné závady	Možná řešení
Chybová kontrolka LED bliká.	Přetížení	Sekací nástavec se nemůže volně pohybovat. Uvolněte řezací nástavec.
Výrobek nespustí.	Znečištěné konektory baterie.	Očistěte konektory baterie stlačeným vzduchem nebo měkkým kartáčem.
Chybová kontrolka LED se rozsvítí červeně.	U výrobku je nezbytné provést servis.	Obrat'te se na servisního prodejce.

### Baterie

LED displej	Možné závady	Možná akce
Zelená kontrolka LED bliká.	Nízké napětí baterie.	Nabijte baterii.
Chybová kontrolka LED bliká.	Odchylka teploty.	Baterii používejte při teplotě -10 až 40°C (14 až 104°F).
	Příliš vysoké napětí.	Zkontrolujte, zda napětí elektrické sítě odpovídá hodnotě uvedené na typovém štítku výrobku. Vyjměte baterii z nabíječky.
Chybová kontrolka LED svítí.	Příliš velký rozdíl napětí článků (1 V).	Obrat'te se na servisního prodejce.

### Nabíječka baterií

Problém	Možné závady	Možné řešení
Bliká červená chybová kontrolka LED.	Odchylka teploty.	Nabíječku baterií používejte při teplotě 5 až 40 °C (41 až 104 °F).
Rozsvítí se červená chybová kontrolka LED.	Příliš velký rozdíl napětí článků (1 V).	Obrat'te se na servisního prodejce.

## Přeprava, skladování a likvidace

### Přeprava a skladování

- Dodané Li-ion baterie podléhají požadavkům legislativy o nebezpečném zboží.
- Dodržujte zvláštní požadavky uvedené na obalu a označení pro komerční přepravu, platí i pro třetí strany a dopravce.
- Než odešlete výrobek, promluvte si s osobou speciálně vyškolenou ohledně manipulace s nebezpečnými materiály. Dodržujte platné národní předpisy.
- Před vložením baterie do obalu zalepte rozpojené kontakty páskou. Vložte baterii do obalu a zajistěte ji proti pohybu.

- Před přepravou nebo uskladněním vyjměte baterii.
- Uložte baterii a nabíječku baterií na místo, které je suché a chráněné před vlhkostí a mrazem.
- Neskladujte baterii v místech, kde může docházet k výbojům statické elektřiny. Neskladujte baterii v kovovém obalu.
- Baterii skladujte na místě, kde je teplota v rozsahu 5 až 25 °C (41 až 77 °F) a mimo přímé sluneční světlo.
- Nabíječku baterií skladujte na místě, kde je teplota v rozsahu 5 až 45 °C (41 až 113 °F) a mimo přímé sluneční světlo.
- Nabíječku baterií používejte pouze při okolních teplotách v rozsahu 5 až 40 °C (41 až 104 °F).
- Před dlouhodobým uskladněním se ujistěte, že je baterie nabitá na 30 až 50 %.
- Uložte baterii a nabíječku baterií do uzavřené a suché místnosti.
- Skladujte baterii mimo nabíječku baterií. Nedovolte, aby se děti nebo neoprávněné osoby dotýkaly zařízení. Uchovávejte zařízení na místě, které lze uzamknout.
- Před dlouhodobým skladováním výrobku jej vyčistěte a proveďte kompletní údržbu.
- Před přepravou a uskladněním umístěte na výrobek přepravní kryt pro prevenci zranění a poškození.
- Během přepravy musí být výrobek bezpečně upevněný.

## Likvidace baterie, nabíječky baterií a výrobku

Symbole na produktu nebo obalu znamenají, že tento produkt není domácí odpad. Odevzdejte jej ve stanici pro recyklaci elektrických a elektronických zařízení. To pomůže eliminovat nebezpečí poškození životního prostředí a zdraví osob.

Další informace o možnostech recyklace vašeho produktu získáte od místních úřadů, služby svozu domovního odpadu nebo prodejce.

## Technické údaje

### Technické údaje

	<b>120ITK4-H</b>
<b>Motor</b>	
Typ motoru	PMDC 36V
<b>Hmotnost</b>	
Hmotnost bez baterie, kg	4,6
Hmotnost s baterií (výchozí baterie BLi10), kg	5,3
<b>Emise hluku<sup>34</sup></b>	
Hladina akustického výkonu, změřená dB(A)	91,32
Hladina akustického výkonu, zaručená L <sub>WA</sub> dB (A)	94
<b>Hladiny hluku<sup>35</sup></b>	
Hladina akustického tlaku v úrovni uší obsluhy, měřená podle norem EN 62841-1 a EN 62841-4-2, dB(A)	81,3
<b>Úrovně vibrací<sup>36</sup></b>	

<sup>34</sup> Emise hluku v životním prostředí měřené jako akustický výkon (L<sub>WA</sub>) v souladu se směrnicí 2000/14/EU. Rozdíl mezi garantovaným a měřeným akustickým výkonem je v tom, že garantovaný akustický výkon rovněž zahrnuje rozptýl výsledků měření a rozdíly mezi různými výrobky téhož modelu podle Směrnice 2000/14/ES.

<sup>35</sup> Typická statistická odchylka pro ekvivalentní hladinu akustického tlaku je standardní odchylka 3 dB (A).

<sup>36</sup> Uváděná data o úrovni vibrací mají typickou statistickou odchylku (standardní odchylku) 1,5 m/s<sup>2</sup>

Deklarovaná celková hodnota vibrací byla měřena standardní zkušební metodou a lze ji použít ke vzájemnému porovnávání nástrojů.

Deklarovanou celkovou hodnotu vibrací lze rovněž použít k předběžnému zhodnocení působení na uživatele.

	<b>120ITK4-H</b>
Hladiny vibrací ( $a_h$ ) na přední/zadní rukojeti, $m/s^2$ Viz normy EN 62841-1 a EN 62841-4-2.	1,223/0,816
<b>Žací zařízení</b>	
Typ	Oboustranné
Délka nože, mm	500
Rychlost čepelí, střihy/min, v režimu SavE	2250
Rychlost čepelí, střihy/min, ne v režimu SavE	2800

### Schválené nabíječky baterí

<b>Nabíječka baterí</b>	<b>QC80</b>
Vstupní napětí, V	100–240
Frekvence, Hz	50–60
Výkon, W	100
Výstupní napětí, V DC/A	36/2

### Baterie schválené pro výrobek

<b>Baterie</b>	<b>BLi10</b>
Typ	Lithium-iontová
Kapacita baterie, Ah	Viz typový štítek baterie
Jmenovité napětí, V	36
Hmotnost, kg	0,7

---

## ES Prohlášení o shodě

---

### ES Prohlášení o shodě

**Husqvarna AB**, SE-561 82 Huskvarna, Švédsko, tel:  
+46-36-146500, prohlašuje, že tyčové nůžky na živý plot  
**Husqvarna 120ITK4-H** se sériovými čísly od roku 2021  
a dále (rok je zřetelně vyznačen v textu na typovém  
štítku a za ním následuje sériové číslo) vyhovují  
požadavkům následujících SMĚRNIC RADY  
EVROPSKÉ UNIE:

- ze 17. května 2006 „týkající se strojních zařízení“  
**2006/42/ES**.
- z 26. února 2014 „týkající se elektromagnetické  
kompatibility“ **2014/30/EU**.
- z 8. června 2011 o „omezení použití určitých  
nebezpečných látek“ **2011/65/EU**

Byly uplatněny následující normy:

**EN 62841-1:2015, EN 62841-4-2:2019, EN  
55014-1:2017+A11, EN 55014-2:2015,  
CISPR12:2007+A1 2009, EN IEC 63000:2018.**

Institut TÜV Rheinland LGA Products GmbH,  
Tillystrasse 2, D-90431 Nuernberg, Germany provedl  
jménem společnosti Husqvarna AB dobrovolnou  
typovou zkoušku. Certifikát má číslo: **AM 50491653  
0001**.

Huskvarna 2020-12-30



The image shows a handwritten signature in black ink, which appears to be 'Pär Martinsson'. The signature is written in a cursive style. In the background, there is a faint watermark logo for 'KEES VAN DER SPEK TUINMACHINES \* STOLWIJK'.

Pär Martinsson, ředitel vývoje (Autorizovaný zástupce  
společnosti Husqvarna AB a odpovědný za technickou  
dokumentaci)

## Sisukord

Sissejuhatus.....	214	Veaotsing.....	227
Ohutus.....	216	Transportimine, hoiulepanek ja utiliseerimine.....	227
Kokkupanek.....	222	Tehnilised andmed.....	228
Töö.....	223	EÜ vastavusdeklaratsioon.....	230
Hooldamine.....	225		

## Sissejuhatus

### Seadme kirjeldus

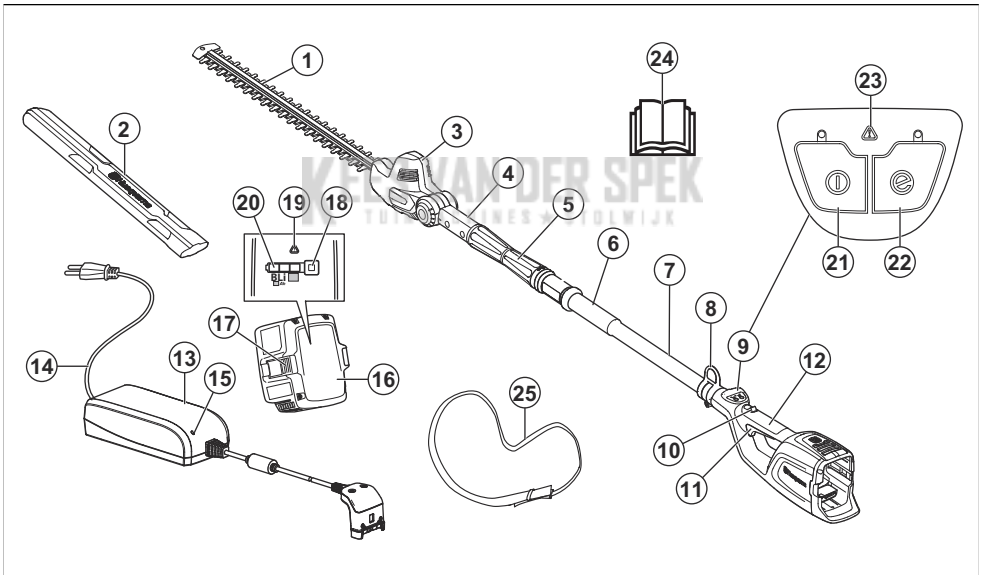
Husqvarna 120iTK4-H on teleskoopvarrega akuhekilõikur.

Me teeme pidevalt tööd, et tõsta teie ohutust ja tõhusust töötamisel. Lisateabe saamiseks võtke ühendust hooldusesindajaga.

### Kasutusotstarve

Kasutage toodet okste ja raagude lõikamiseks. Ärge kasutage toodet muude tööde tegemiseks.

### Toote tutvustus



- |                               |                             |
|-------------------------------|-----------------------------|
| 1. Lõiketera                  | 11. Toitelüliti             |
| 2. Transportkaitse            | 12. Tagumine käepide        |
| 3. Laadimisjaama kate         | 13. Akulaadija              |
| 4. Asendi poolitamise käepide | 14. Kaabel                  |
| 5. Teleskoopfunktsioon        | 15. Toite/hoiatuse LED-tuli |
| 6. Esikäepide                 | 16. Aku                     |
| 7. Vars                       | 17. Aku vabastamise nupud   |
| 8. Rakmete riputuskonks       | 18. Akunäidiku nupp         |
| 9. Klahvistik                 | 19. LED-hoiatustuli         |
| 10. Toitelüliti lukustus      | 20. Akunäidiku LED-tuli     |

21. Käivitus- ja seiskamisnupp
22. SavE-nupp
23. LED-hoiatustuli
24. Kasutusjuhend
25. Kanderihmad

## Sümbolid tootel



**HOIATUS!** See seade on ohtlik. Hooletu või väär käsitsemine võib põhjustada kehavigastusi või surma kasutajale või juuresolijatele. Kasutaja ja juuresolijate vigastuste vältimiseks loe läbi kõik kasutusjuhendis leiduvad ohutusjuhised ja järgi neid. Enne seadme kasutamist loe kasutusjuhend põhjalikult läbi, et kõik juhised oleksid täiesti arusaadavad.



Kohtades, kus sulle võib peale kukkuda esemeid, kasuta kaitsekiivrit. Kanna heakskiidetud kõrvaklappe. Kanna heakskiidetud kaitseprille.



Kanna heakskiidetud kaitsekindaid.



See seade vastab kehtivatele EÜ direktiividele.



Nimipinge, V



Alalisvool.



Ärge jätke vihma kätte.



Hoidke käed lõiketerast eemal.



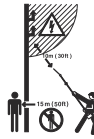
Teleskoopfunktsioon.



Poolitusfunktsioon.



Nupu vabastamiseks keera vasakule, pingutamiseks keera paremale.



See seade pole isoleeritud. Kui seade satub kõrgepingeliinide lähedale või puutub nendega kokku, võib see põhjustada raske kehavigastuse või surma. Elektri laeng võib liikuda ühest punktist teise kaarlahenduse teel. Mida kõrgem on pinge, seda suurema vahemaa võib elektrilaeng „hüpata“. Elektrit võivad juhtida ka oksad ja muud esemed, eriti siis, kui nad on märjad. Hoidke seade kõrgepingeliinidest ja kõigist neid puudutavatest esemetest alati vähemalt 10 meetri kaugusel. Kui peate töötama ohutsoonis, tuleb alati võtta ühendust vastava elektrifirmaga, et elekter enne töö alustamist välja lülitataks. Töö ajal hoiduge inimestest ja loomadest vähemalt 15 meetri kaugusele.

aaaaannxxxx

Mudeli etikett näitab seerianumbrit. **aaaa** on tootmisaasta, **nn** on tootmisnädal.

**Märkus:** Ülejäänud seadmel toodud sümbolid/ tähised viitavad erinevates riikides kehtivatele sertifitseerimisnõuetele.

## Akul ja/või akulaadijal olevad sümbolid.



Toimetage seade elektri- ja elektroonikajäätmete ringlusevõtukeskusesse. (Kehtib vaid Euroopas)



Törkekindel trafo.



Kasutage ja hoiustage akulaadijat ainult siseruumides.



Topeltisolatsioon.

## Tootevastutus

Tootevastutusseaduste alusel ei vastuta me tootest tingitud kahjustuste eest, kui:

- toodet on valesti parandatud;
- toote parandamisel on kasutatud osi, mis ei ole tootja poolt valmistatud või heakskiidetud;

- tootel on kasutatud tarvikut, mis ei ole tootja poolt valmistatud või heaks kiidetud;

- toodet ei ole parandatud volitatud hoolduskeskuses või volitatud isiku poolt.

---

## Ohutus

---

### Ohutuse määratlused

Mõistetega „hoiatus“, „ettevaatust“ ja „märkus“ juhitakse tähelepanu eriti olulistele kohtadele kasutusjuhendis.



**HOIATUS:** Tähistab kasutusjuhendi juhiste eiramise korral kasutaja või kõrvalseisjate kehavigastuse või surmaga lõppeva õnnetuse ohtu.



**ETTEVAATUST:** Tähistab kasutusjuhendi juhiste eiramise korral seadme, muude esemete või läheduses asuvate objektide kahjustamise ohtu.

**Märkus:** Tähistab antud olukorras vajalikku lisateavet.

### Üldised ohutusalsed märkused elektritööriistade kohta



**HOIATUS:** Lugege kõik ohutusalsed hoiatused ja kõik juhised läbi. Hoiatuste ja juhiste eiramine võib põhjustada elektrilöögi, tulekahju ja/või raskeid vigastusi.

**Märkus:** Hoidke kõik ohutusalsed märkused ja juhised edasiseks kasutamiseks alles. Märkustes kasutatud elektritööriista mõiste tähistab võrgutoitel (juhtmega) elektritööriista või akutoitel (juhtmata) elektritööriista.

### Tööala ohutus

- **Hoidke tööala puhas ja tagage hea valgustus.** Segamini või hämarad alad on õnnetuseallid.
- **Ärge kasutage elektritööriista plahvatusohtlikus keskkonnas, näiteks tuleohtlike vedelike, gaaside või tolmu läheduses.** Elektritööriistad võivad tekitada sädemeid, mis võivad tolmu või gaasid süüdata.
- **Hoidke elektritööriista kasutamise ajal lapsed ja kõrvalseisjad tööalast eemal.** Tähelepanu hajumine võib põhjustada kontrolli kaotamist.

### Elektriohutus

- Elektritööriista pistikud peavad sobima pistikupesaga. Ärge muutke pistikut mis tahes viisil. Ärge kasutage maandusega elektritööriistade puhul adapterpistikuid. Muutmata pistikud ja sobivad pistikupesad vähendavad elektrilöögi ohtu.

- Väldi kehalist kokkupuudet maandatud pindadega (nt torud, radiaatorid, elektripliidid ja külmikud). Keha maandamise korral on elektrilöögi oht suurem.
- **Vältige elektritööriistade kokkupuudet vihma ja märgade tingimustega.** Tööriista pääsenud vesi suurendab elektrilöögi saamise ohtu.
- **Kasutage juhete õigesti. Ära kunagi kasuta juhete elektritööriista kandmiseks, tõmbamiseks või pistikupesast eemaldamiseks. Kaitske juhete kuumuse, õli, teravate servade ja liikuvate osade eest.** Kahjustatud või sõlmes juhe suurendab elektrilöögi ohtu.
- Elektritööriistaga õues töötamisel kasuta välistingimustes kasutamiseks sobivat pikendusjuhet. Välistingimustes kasutamiseks sobiva pikendusjuhtme kasutamine vähendab elektrilöögi ohtu.
- Kui elektritööriista kasutamine niiskes keskkonnas on vältimatu, kasutage rikkevoolukaitsmega (RCD) kaitstud toidet. RCD kasutamine vähendab elektrilöögi ohtu.

### Inimeste kaitsmine

- **Olge elektritööriista kasutamisel tähelepanelik, jälgige oma tegevust ja kasutage tervet mõistust. Ärge kasutage elektritööriista, kui olete väsinud või uimassti, alkoholi või ravimite mõju all.** Hetkeline tähelepanematus elektritööriistade kasutamise ajal võib lõppeda tõsiste kehavigastustega.
- **Kasutage isikukaitsesevahendeid. Kasutage alati kaitseprille.** Asjakohastes tingimustes kaitsevahendite (nt tolmumask, mittelibisevad turvajalatsid, kiiver või kõrvaklapid) kasutamine vähendab kehavigastuste ohtu.
- **Vältige soovimatut käivitumist. Enne seadme ühendamist toiteallika või akuga, üles tõstmist või kandmist veenduge, et lüliti on väljalülitatud asendis.** Kui kannate elektritööriista nii, et teie sõrm on toitelülilil, või pingestate lülitiga varustatud elektritööriista, võib see lõppeda õnnetusega.
- **Eemaldage enne elektritööriista sisselülitamist kõik reguleerimis- ja nutrivõtmed.** Elektritööriista pöörleva osa külge jäetud nutri- vm võti võib põhjustada kehavigastusi.
- **Ärge küünitage liiga kaugele. Säilitage kogu aeg kindel jalgealune ja tasakaal.** See annab ootamatutes olukordades parema kontrolli elektritööriista üle.
- **Kandke nõuetekohaseid riideid. Ärge kandke lahtiseid rõivaid ega ehteid. Hoidke juuksed ja rõivad liikuvatest osadest eemal.** Lahtised rõivad, ehted või pikad juuksed võivad liikuvate osade vahele kinni jääda.



- **Kui seadmetel on ühendus tolmueemaldus- ja kogumisseadmete jaoks, veenduge, et need on ühendatud ja neid kasutatakse õigesti.**  
Tolmukogumise kasutamise abil saab vähendada tolmuga seotud ohte.

- **Ärge muutuge tööriistade sagedasest kasutusest hooletuks ja ärge ignoreerige tööriistade ohutu kasutamise põhimõtteid.** Hooletu tegevus võib ka murdosa sekundi jooksul põhjustada tõsiseid kehavigastusi.
- Sõltuvalt tööriista kasutusviisist võib mootortööriista kasutamise ajal tekkiv vibratsioon seadme dokumentatsioonis esitatud koguväärtusest erineada. Kasutajad peaksid välja selgitama isikukaitsemeetmed, mis põhinevad eeldataval tegelikel töötingimustel (arvestada tuleb töösükli kõiki etappe – lisaks täisvõimsusega töötamisele loeb ka see aeg, mil seade on välja lülitatud, ja see aeg, kui seade töötab tühikäigul).

## Elektritööriista kasutamine ja hooldamine

- **Ärge suruge elektritööriista jõuga. Kasutage rakenduse jaoks asjakohast elektritööriista.** Õige elektritööriist teeb töö ära paremini, ohutumalt ja ettenähtud kiirusel.
- **Ärge kasutage elektritööriista, kui lüliti vajutamisel ei lülitu seade sisse ega välja.** Mis tahes elektritööriist, mida pole võimalik juhtida, on ohtlik ja tuleb viivitamatult parandada.
- **Enne elektritööriista reguleerimist, tarvikute vahetamist või hoiuolepanekut eemaldage pistik toiteallikast ja/või aku elektritööriista küljest.** Taolised ennetavad ohutusmeetmed vähendavad elektritööriista tahtmatu käivitamise ohtu.
- **Hoidke elektritööriista, mida te parasjagu ei kasuta, lastele kättesaamatus kohas ja ärge lubage elektritööriista kasutada isikutel, kes ei oska seda kasutada või pole neid juhiseid läbi lugenud.** Elektritööriistad on koolitamata kasutajate käes ohtlikud.
- **Kandke elektritööriista eest hoolt. Veenduge, et liikuvad osad poleks valesti joondunud või kinni kilunud, osad poleks murdunud ja et ei esineks muid elektritööriista töötamist mõjutada võivaid tegureid.** Kahjustuse korral laske elektritööriist enne kasutamist remontida. Paljude õnnetuste põhjuseks on halvasti hooldatud elektritööriistad.
- **Hoidke lõikevahendid teravad ja puhtad.** Nõuetekohaselt hooldatud teravate lõikeservadega lõikevahendite kinnikiilumise tõenäosus on väiksem ja need on hõlpsam juhtida.
- **Järgige elektritööriista, tarvikute, tööriistaotsikute jm kasutamisel neid juhiseid ning arvestage töötingimuste ja -ülesandega.** Elektritööriista kasutamine muuks kui ettenähtud otstarbeks võib põhjustada ohtliku olukorra.
- **Hoidke käepidemed ja haardepinnad kuivad, puhtad ning õli- ja määrdevabad.** Libedate käepidemete ja haardepindade korral ei ole ootamatutes

olukordades võimalik tööriista ohutult käsitseda ja juhtida.

## Akutööriistade kasutamine ja hooldamine

- **Kasutage laadimiseks ainult tootja soovitatud laadiljat.** Ühte tüüpi aku laadimiseks sobiv laadija võib koos teist tüüpi akuga kasutades tuleohtu põhjustada.
- **Kasutage mootortööriistades vaid spetsiaalselt neile loodud akusid.** Teisi akukogumeid kasutades riskite vigastuste ja tulekahjuga.
- **Kui aku pole hetkel kasutuses, hoidke seda eemal teistest metallesemetest (nt kirjaklambrid, mündid, võtmed, naelad, kruvid vms väiksed metallesemed), mis võiksid akuklemme omavahel ühendada.** Akuklemmide lühistamine võib põhjustada põletushaavu või tulekahju.
- **Väärkasutamise korral võib akust vedelikku lekkida; vältige kokkupuudet.** Kokkupuute korral loputage kannatada saanud kohta veega. Kui vedelik satub silma, loputage silma veega ja pöörduge arsti poole. Akust lekkinud vedelik võib põhjustada ärritust või põletushaavu.
- **Ärge kasutage defektset või muudetud akut või tööriista.** Kahjustatud või muudetud akud võivad käituda ettearvatult ning põhjustada tule-, plahvatuse- või vigastusohtu.
- **Ärge laske akul või tööriistal puutuda kokku tulega või liiga kõrgete temperatuuridega.** Kokkupuude üle 130 °C temperatuuriga võib põhjustada plahvatuse.
- **Järgige kõiki laadimisjuhiseid ja ärge vahetage akut või tööriista temperatuuril, mis jääb väljapoole juhistes kirjeldatud temperatuurivahemikku.** Aku laadimine valesti või väljaspool selleks ettenähtud temperatuurivahemikku võib akut kahjustada ja suurendada tuleohtu.

## Hooldus

- **Laske elektritööriista hooldada vastava väljaõppega remontijal, kes tohib kasutada ainult identseid asenduosi.** See tagab elektritööriista ohutuse säilimise.
- **Ärge kunagi hooldage kahjustatud akusid.** Akusid võivad hooldada üksnes tootja või volitatud teenusepakkujad.

## Ohutuseeskirjad hekilõikuri jaoks

- **Hoidke kõik kehaosad lõiketerast eemal. Ärge eemalda lõigatavat materjali ega hoia lõigatavat materjali sel ajal, kui terad veel liiguvad.** Lõiketerad pöörlevad pärast masina seiskamist edasi. Hetkeline tähelepanematus hekilõikuri kasutamise ajal võib lõppeda tõsiste kehavigastustega.
- **Kanna hekilõikurit käepidemest hoides, lõiketera peatatuna ja veendu, et sa ei puuduta toitelüliteid.** Kandes hekilõikurit õigesti, on tahtmatu käivitamise oht ja lõiketeradega kehavigastuste tekitamise võimalus väiksem.

- **Hektrimmeri transportimise või hoistamise ajal katke lõiketera alati spetsiaalse kattega.** Hektrimmeri nõuetekohane käsitlemine vähendab võimalike kehavigastuste ohtu, mida lõiketerad võivad põhjustada.
- **Kui eemaldate kinni kiilunud materjali või hooldate seadet, veenduge, et kõik toitelülid on välja lülitatud ja toitejuhe on lahti ühendatud.** Hekilõikuri ootamatu käivitumine kinni kiilunud materjali eemaldamisel või seadme hooldamisel võib põhjustada raskeid kehavigastusi.
- **Hoia hekilõikurit ainult isoleeritud haardepindadest, sest lõiketera võib kokku puutuda peidetud juhtmete või seadme enda toitejuhtmega.** Kui lõiketerad puutuvad kokku pinge all olevate juhtmetega, võivad hekilõikuri metallosad seejärel samuti pingele alla sattuda ning kasutajale elektrilöögi anda.
- **Hoidke kõik toitejuhtmed ja -kaablid lõikealast eemal.** Hekis või pöösas olev toitejuhe või -kaabel võib jääda varjatuks ja tekkida oht selle tahtmatuks kahjustamiseks lõiketeraga.
- **Ära kasuta teleskoopvarrega hekilõikurit halva ilmaga (eriti äikesetormi ajal).** See vähendab pikselöögi ohtu.
- **Elektrilöögi ohtu vähendamiseks ära kasuta teleskoopvarrega hekilõikurit elektriliinide lähedal.** Kõrkpuude elektriliinidega või nende lähedal töötamine võib põhjustada raskeid kehavigastusi või surmava elektrilöögi.
- **Hoidke teleskoopvarrega hekilõikurit kasutamisel alati kahe käega.** Hoia teleskoopvarrega hekilõikurit mõlema käega, et vältida selle üle kontrolli kaotamist.
- **Kui kasutate teleskoopvarrega hekilõikurit pea kohal, kannapeas alati kiivrit.** Kukkuv praht või põhjustada raskeid kehavigastusi.

## Üldised ohutuseeskirjad



**HOIATUS:** Enne seadme kasutamist lugege läbi järgnevad hoiatused.

- Eemaldage aku, et seade juhuslikult ei käivituks.
- Seade on ohtlik, kui seda kasutada valesti või ettevaatamatult. Seade võib põhjustada kasutaja või kõrvaliste isikute ohtliku kehavigastuse või surma.
- Ärge kasutage seadet, kui selle algseid tehnilisi näitajaid on muudetud. Ärge muutke seadme ühtegi osa ilma tootja heakskiiduta. Kasutage ainult tootja poolt heaks kiidetud osi. Vale hooldamise tagajärjeks võib olla kehavigastus või surm.
- Kontrollige seadet enne kasutamist. Vt jaotist *Toote ohutuseseadised lk 220* ja jaotist *Hooldamine lk 225*. Ärge kasutage kahjustatud seadet. Järgige seadet kontrollides ja hooldades seadme kasutusjuhendi nõudeid.
- Lapsi tuleb jälgida, et nad seadmega ei mängiks. Ärge kunagi lubage seadet ega akut kasutada või hooldada lastel ega teistel isikutel, kes pole seadme

ja/või aku kasutamise koolitust saanud. Kohalikes õigusaktides võib olla reguleeritud kasutaja vanus.

- Hoidke seadet lukustatud kohas, kus sellele ei pääse juurde lapsed ega volitamata isikud.
- Hoidke seadet lastele kättesaamatus kohas.
- Seadme algset konstruktsiooni ei tohi muuta ilma tootja loata. Kasutage alati originaalisarvikuid. Lubamatud muudatused ja varuosad võivad põhjustada kasutaja ja teiste isikute raskeid või isegi eluohtlikke kehavigastusi.

**Märkus:** Kasutamist võivad piirata riiklikud või kohalikud määrused. Järgige kõiki määrusi.

## Ohutusjuhised kasutamisel



**HOIATUS:** Enne toote kasutamist lugege läbi järgnevad hoiatused.

- Kui olukord on teile tundmatu, katkestage töö ja paluge spetsialistidelt abi ja nõu. Võta ühendust edasimüüja või hoolduspunktiaga. Ärge tehke tööd, milleks teil puudub väljaõpe või kogemused.
- Ärge töötage seadmega, kui olete väsinud, ravimite või alkoholi mõju all, ms võivad mõjutada teie otsustamisvõimet, nägemist ja keha valitsemist.
- Halva ilmaga töötamine väsitab ja sellega kaasneb tihti müd ohte. Lisanduvate ohtude tõttu pole seadet soovitatav kasutada väga halva ilmaga, näiteks tiheda udu või vihma, tugeva tuule, väga külma temperatuuri või äikeseho korral.
- Vigane lõikeosa võib suurendada õnnetuste ohtu.
- Ärge lubage lastel seadet kasutada ega selle läheduses viibida. Kuna seadet on lihtne käivitada, võivad lapsed selle käivitada, kui neid piisavalt ei jälgita. See tähendab raskete vigastuste tekke ohtu. Kui seade jääb valveta, lahutage aku ühendus.
- Veenduge, et inimesed ja loomad ei oleks töö ajal lähemal kui 15 meetrit. Kui samas kohas töötab mitu kasutajat, peab nende ohutusvahemaa olema vähemalt 15 meetrit. Vastasel juhul tekib raskete vigastuste saamise oht. Seisake seade kohe, kui keegi läheneb. Ärge kunagi pöörake seadet ringi enne, kui olete selja taha vaadanud ja veendunud, et ohutsoonis pole kedagi.
- Veenduge, et inimesed, loomad või kõrvalised esemed ei mõjutaks teie kontrolli seadme üle ega puutuks kokku lõikeosaga või lõikeosast väljapaiskuvate lahtiste esemetega. Ärge kasutage kunagi seadet olukordades, kus te ei saa kutsuda abi õnnetuse korral.
- Vaadake alati üle tööpiirkond. Kõrvaldage kõik lahtised esemed, nagu kivid, klaasikillud, naelad, traat, nõör ja muu taoline, mis võib eemale paiskuda või lõikeosasse kinni jääda.
- Veenduge, et saate turvaliselt seista ja liikuda. Vaadake, et läheduses ei oleks tõkkeid, nagu juuri, kive, oksid, kraave jms, mis oleksid takistuseks juhul,

- kui tuleb kiiresti eemaldada. Olge eriti ettevaatlik mäeküljel töötades.
- Olge kindlal pinnal ja hoidke ennast tasakaalus. Ärge küünitage liiga kaugele.
  - Enne teise tööpiirkonda liikumist lülitage seade välja. Kui seadet ei kasutata, kinnitage sellele transportkaitse.
  - Ärge kunagi asetage seadet maha enne, kui olete selle välja lülitanud. Ärge jätkke sisselülitatud seadet järelevalveta.
  - Enne seadme andmist teisele isikule eemaldage aku.
  - Kui seade on sisse lülitatud, siis jälgige, et riided või kehaosad ei puutuks vastu löikeosa.
  - Kui seadmega töötamise ajal jääb midagi löikeosa külge kinni, siis peatage seade ja lülitage see välja. Veenduge, et löikeosa oleks täielikult seiskunud. Alati enne seadme ja/või löikeosa puhastamise, kontrollimise või parandamise alustamist eemaldage aku.
  - Pärast seadme väljalülitamist hoidke käed ja jalad löikeosast eemal seni, kuni löikeosa on täielikult seisma jäänud.
  - Jälgige, et lõigatud oksajupid teie pihta ei paiskuks. Ärge lõigake liiga lähedal maapinnale, kus kivid ja muud esemed võivad õhku paiskuda.
  - Hoiduge eemalepaiskuvate esemete eest. Kasutage alati heaks kiidetud kaitseprille. Ärge kumarduge vaatama kaitsekatte taha! Kivid, praht jms võivad õhku paiskudes sattuda silma ja põhjustada pimedaks jäämist või õhtlikke kehavigastusi.
  - Kui kasutate kuulmiskaitset, olge tähelepanelik hõigete ja hoiatussignaalide suhtes. Eemaldage kõrvaklapid kohe, kui seade on seiskunud.
  - Ärge kunagi töötage redelil, toolil või muus kõrges asendis, mis ei ole täielikult fikseeritud.
  - Seade tekitab töötades elektromagnetvälja. Teatud tingimustel võib väli häirida aktiivsete või passiivsete meditsiiniliste implantaatide tööd. Raskete või surmaga lõppevate kahjustuste ohu vähendamiseks soovitage meditsiinilisi implantaate kasutavatel inimestel pidada seadme kasutamise eel nõu oma arsti ja implantaadi valmistajaga.
  - Hoidke seadet alati kahe käega. Hoidke seadet endast paremal.
  - Enne teravõlli ümber keerdunud või kaitsme ja löikeosa vahele takerdunud materjali eemaldamist seisake alati seade, eemaldage aku ja veenduge, et löikeosa oleks pöörlemise lõpetanud.
  - Seadme töötamise ajal tekkev elektromagnetväli võib häirida aktiivsete või passiivsete meditsiiniliste implantaatide tööd. Meditsiiniliste implantaatide kasutajad peavad enne selle seadmega töötamise alustamist konsulteerima oma arstiga ja implantaadi tootjaga.
  - Seadme käsitemise hõlbustamiseks asetage selle põhiraskus rakmetele.

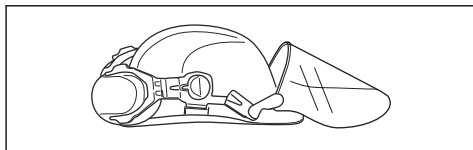
- Pikaajaline müra võib tekitada püsiva kuulmiskahjustuse. Husqvarna Soovitab kasutajatel kasutada heaks kiidetud kõrvaklappe.
- Ärge kunagi kasutage seadet, mille ehitust on muudetud.
- Ärge kunagi kasutage kahjustatud seadet. Teostage ohutuskontroll ja hooldage seadet korrapäraselt, nagu käsitlemisõpetuses nõutud. Teatud hooldustoiminguid tohib teha ainult vastava väljaõppe saanud spetsialist. Vt hoolduspeatükis toodud juhiseid.
- Enne kasutamist tehke seadme üldine ülevaatus. Järgige hooldusskeemi.
- Ärge lubage kellelgi masinat kasutada enne, kui olete kindel, et ta on kasutusjuhendi läbi lugenud ja selle sisust aru saanud.
- Kontrollige oma tööala, kas seal pole kõrvalisi esemeid (nt elektrijuhmed) ja loomi või muid löikeosa kahjustada võivaid esemeid (nt metallesemed).
- Kontrollige, et süütepea ja süütekaabel oleksid kahjustusteta, et elektrilööki ära hoida.

### Isikukaitsevahendid



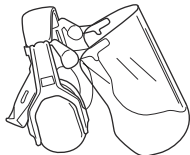
**HOIATUS:** Enne toote kasutamist loe läbi järgnevad hoiatused.

- Seadmega töötamisel tuleb kasutada ettenähtud isikukaitsevarustust. Isikukaitsevarustus ei välista täielikult kehavigastuste ohtu, kuid vähendab õnnetusjuhtumi korral kehavigastuse raskusastet. Õige varustuse valimiseks pöörduge edasimüüja poole.
- Kaitsekiivrit, kohtades, kus on langevate esemete oht.



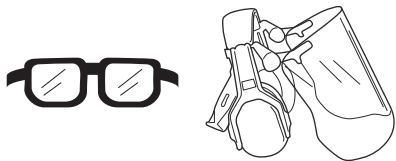
- Pikaajaline kokkupuude müraga võib tekitada kuulmiskahjustusi. Üldiselt on akutoitel töötavad seadmed suhteliselt vaiksed, kuid müratase koos pikaajalise kasutamisega võib tekitada kuulmiskahjustusi. Husqvarna soovib kasutajal kanda kõrvaklappe, kui seadmega töötatakse pikemat aega järjest. Kasutajad, kes kasutavad

seadet pidevalt ja regulaarselt, peavad käima korrapäraselt kuulmist kontrollimas.



**HOIATUS:** Kõrvaklapid piiravad võimet kuulda helisid ja hoiatussignaale.

- Kanna heakskiidetud kaitseprille. Näokaitsme kasutamisel tuleb lisaks kasutada heakskiidetud kaitseprille. Heakskiidetud kaitseprillide all mõeldakse selliseid prille, mis vastavad standardile ANSI Z87.1 USA-s või EN 166 Euroopa Liidu riikides.



- Vajaduse korral kandke kaitsekindaid, näiteks löökeosa kinnitades, kontrollides või puhastades.



- Kandke vastupidavast materjalist riideid. Kandke alati pikki raskeid pükse ja pikki varrukaid. Hoiduge liiga avaratest rõivastest, mis võivad okstesse takerduda. Ärge kandke ehteid, lühikesi pükse, lahtiseid jalatseid ega käige paljajalu. Kinnitage juuksed ohutult õlgadest kõrgemale.
- Hoidke esmaabikomplekt käepärast.



## Toote ohutusseadised



**HOIATUS:** Enne seadme kasutamist lugege läbi järgnevad hoiatused.

Selles alalõigus kirjeldatakse masina turvavarustust, selle otstarvet ning kuidas läbi viia kontrollid ja hooldust, tagamaks masina nõuetekohane töö Peatükist *Toote tutvustus lk 214* näete, kus nad teie seadmel paiknevad.

Kui seadet ei hooldata õigesti ja korrapäraselt ning seadet ei paranda asjatundja, võib seadme tööiga lüheneda ja tekkida õnnetuste oht. Kui vajate täiendavat infot, pöörduge lähimasse teenindusse.



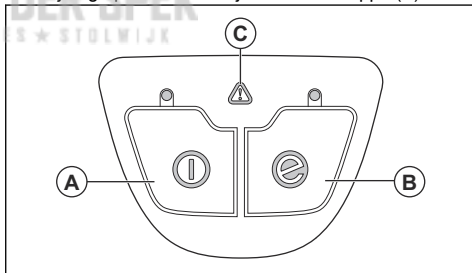
**HOIATUS:** Ärge kasutage seadet, kui selle turvavarustust pole täiesti korras. Ohutusvarustust tuleb käesolevas lõigus toodud eeskirjade kohaselt hooldada ja kontrollida. Kui seade ei vasta ohutusnõuetele, laske see parandada hooldustöökojas.



**ETTEVAATUST:** Seadme hooldus ja parandamine nõuab eraldi väljaõpet. Eriti oluline on see seadme ohutusvarustuse puhul. Kui seade ei vasta allpool toodud nõuetele, vii see hoolduspunkti. Meie toodetele on tagatud professionaalne hooldus ja parandus. Kui seadme müüja ei tegele hooldusega, paluge teda juhatada teid lähimasse hoolduspunkti.

## Klahvistiku kontrollimine

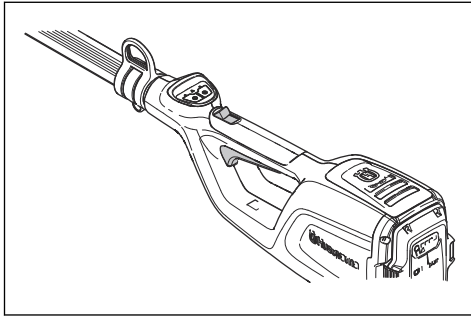
1. Vajutage pikalt käivitus- ja seiskamisnuppu (A).



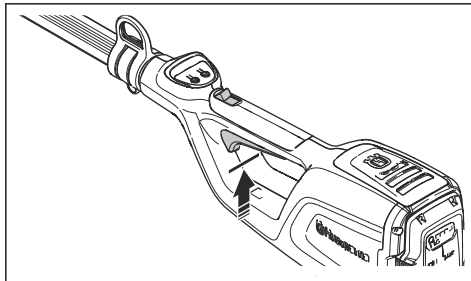
- a) Seade on sisse lülitatud siis, kui LED-tuli põleb.
  - b) Seade on välja lülitatud siis, kui LED-tuli ei põle.
2. SavE-nupu (B) tööpõhimõtte kohta leiate teavet teemast *SavE funktsiooni käivitamine lk 224*.
  3. Hoiatusindikaatori (C) põlemise või vilkumise korral vt *Veaotsing lk 227*.

## Toitelüliti lukustuse kontrollimine

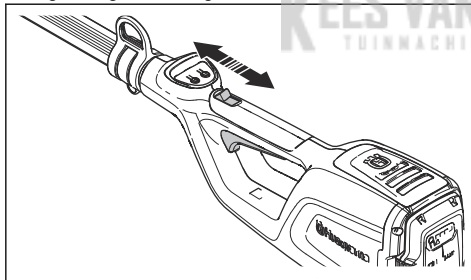
Toitelüliti lukustusfunktsioon väldib seadme juhuslikku käivitamist. Käepidemest lahti laskmise korral naasevad nii toitelüliti kui ka toitelüliti lukustus algasendisse.



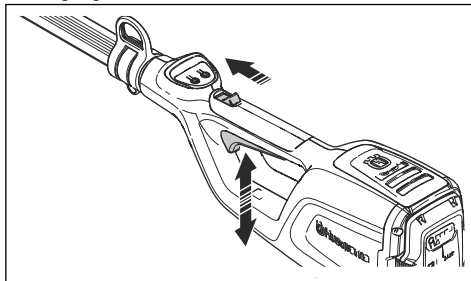
1. Jälgi, et kui lukusti on algasendis, oleks toitelüliti lukustatud.



2. Tõmba lukustit ja vabasta see ning veendu, et see liiguks tagasi oma algasendisse.



3. Veendu, et toitelüliti ja lukusti liiguksid takistamatult ning tagastusvedru töötaks korralikult.



4. Käivitage seade, vt *Toote käivitamine lk 224*.

5. Rakendage täispöörded.

6. Vabastage toitelüliti ja veenduge, et lõikeosa peatuks täielikult.

## Aku ohutus



**HOIATUS:** Enne toote kasutamist loe läbi järgnevad hoiatused.

- Soovitatav aku on BLi10. Vt jaotist *Tehnilised andmed lk 228*. Aku on kodeeritud.
- Kasutage BLi10 toodete vooluallikana üksnes taaslaetavaid Husqvarna akusid. Kehavigastuse vältimiseks ära kasuta akut muude seadmete toiteallikana.
- Elektrilöögioht! Ärge ühendage akuklemme võtmete, münthe, kruvide või muude metallesemetega. See võib tekitada akus lühise.
- Ärge kasutage mittetaaslaetavaid akusid.
- Ärge asetage esemeid aku õhuavade sisse ja ette.
- Välti aku kokkupuudet otsese päikesevalguse, kuumuse ja lahtise leegiga. Aku võib põhjustada põletusi ja/või keemilisi põletusi.
- Vältige aku kokkupuudet vihma ja märja keskkonnaga.
- Vältige aku kokkupuudet mikrolainete ja kõrgsurvega.
- Ärge demonteerige ega lõhkuge akut.
- Aku lekke korral vältige vedeliku kokkupuudet keha ja silmadega. Kui vedelik satub kehale, puhastage kokkupuutunud ala rohke veega ja seebiga ning seejärel pöörduge arsti poole. Kui vedelik satub silma, ära hõõru silmi, vaid loputa neid veega vähemalt 15 minutit ja pöördu arsti poole.
- Kasutage akut keskkonnas, mille temperatuur jääb vahemikku  $-10...40\text{ }^{\circ}\text{C}$  ( $14...114\text{ }^{\circ}\text{F}$ ).
- Ärge puhastage akut või akulaadijat veega. Vt jaotist *Seadme, aku ja akulaadija puhastamine lk 226*.
- Ärge kasutage defektset või kahjustatud akut.
- Ladusta akusid eemal metallesemetest (nt naelad, kruvid, ehted).
- Hoia aku eemal lastest.

## Akulaadija ohutus



**HOIATUS:** Enne toote kasutamist loe läbi järgnevad hoiatused.

- Ohutuseeskirjade eiramine võib kaasa tuua elektrilöögi või lühise.
- Kasutage ainult seadme tarnekomplekti kuuluvat akulaadijat. Soovitatav laadija on QC80, kui laete akut BLi10.
- Ärge püüdke akulaadijat lahti monteerida.
- Ärge kunagi kasutage defektset või kahjustunud akulaadijat.

- Ärge tõstke akulaadijat toitejuhtmest hoides. Akulaadija võrgupistikupesast lahutamiseks tõmmake pistikut. Ära tõmba toitejuhet.
- Vältige juhtmete ja pikendusjuhtmete kokkupuudet vee, õli ja teravate servadega. Jälgige, et juhe ei jääks uste, väravate jms vahele.
- Ärge kasutage akulaadijat tuleohtlike või korrosiooni tekitavate materjalide läheduses. Veenduge, et akulaadija poleks kinni kaetud. Suitsu või tule tekke korral eemaldage pistik akulaadijast.
- Laadige akut ainult hea õhuvahetusega siseruumis ja päikesevalguse eest kaitstuna. Ärge laadige akut õues. Ärge laadige akut märjas keskkonnas.
- Kasutage akulaadijat keskkonnas, mille temperatuur jääb vahemikku 5...40 °C (41...104 °F). Kasutage laadijat hästi ventileeritavas, kuivas ja tolmuvabas keskkonnas.
- Ärge asetage esemeid akulaadija jahutusavade sisse ja ette.
- Ärge kunagi ühendage akulaadija klemme metallesemete külge, vastasel korral võib akulaadija lühistuda.
- Kasutage heakskiidetud ja kahjustamata pistikupesasid. Veenduge, et akulaadija juhe poleks kahjustatud. Pikendusjuhtme kasutamisel veenduge, et pikendusjuhe poleks kahjustatud.
- Eemaldage aku enne hooldustööde või muude kontrolltoimingute või seadme kokkupanemise alustamist.
- Seadme kasutaja tohib teha üksnes käesolevas kasutusjuhendis kirjeldatud hooldustöid. Mahukamate hooldustööde tegemiseks pöörduge hooldusesindusse.
- Ärge puhastage akut või akulaadijat veega. Tugevatoimeline pesuvahend võib kahjustada plastdetaile.
- Kui hooldustöid ei tehta, siis seadme kasutisiga lüheneb ja õnnetuste oht kasvab.
- Kõigi hooldus- ja parandustööde tegemiseks (eriti seadme ohutusseadiste juures) on vajalik eriväljaõpe. Kui pärast hooldustööde tegemist ei läbi seade kõiki käesolevas kasutusjuhendis kirjeldatud kontrolltoiminguid, siis pöörduge hooldusesinduse poole. Garanteerime, et hooldusesinduses tehakse teie seadmele professionaalsel tasemel remondi- ja hooldustööd.
- Jälgige, et lõiketera hambad oleksid teritatud. Järgige meie soovitusi. Vaadake ka lõiketera pakendil olevaid juhiseid.
- Kasutage ainult originaalvaruosi.
- Lõikeosa remontimisel kandke alati tugevaid kindaid. Lõiketerad on äärmiselt teravad ja võivad kergesti põhjustada kehavigastusi.

## Ohutusjuhised hooldamisel



**HOIATUS:** Enne seadme hooldustööde tegemist lugege läbi järgnevad hoiatused.

## Kokkupanek

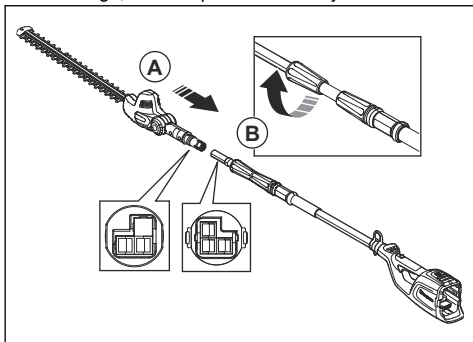
### Sissejuhatus



**HOIATUS:** Enne toote kokkupanekut lugege ohutuspeatükki ja tehke selles olev teave endale arusaadavaks.

### Varre paigaldamine

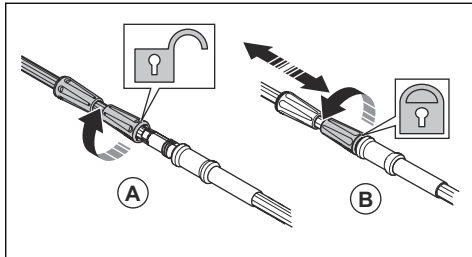
1. Veenduge, et elektripistikud oleksid joondatud.



2. Ühendage varre (A) otsad täielikult.
3. Keera kinni varre heklõikuri pea poolsel otsal asuv keermestatud käepide (B).

### Varre pikkuse reguleerimine

1. Keerake lahti varre akukorpuse poolse otsa keeratav käepide (A).



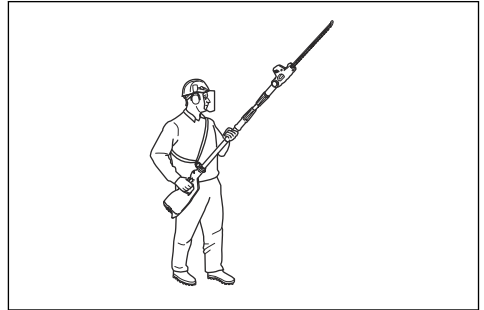
2. Reguleerige vars sobivasse pikkusesse.
3. Keerake kinni keeratav käepide (B).

## Kanderihmade reguleerimine

Seadme kasutamisel kasutage alati rakmeid. Rakmed annavad seadme kasutamisel selle üle maksimaalse kontrolli. Rakmed vähendavad käte ja selja väsimise ohtu.

1. Pane kanderihmad selga.
2. Kinnitage seade rakmete külge riputuskonksu otsa.

3. Seadistage rakmete pikkust, et riputuskonks oleks umbes parema puusa kõrgusel.



## Töö

### Sissejuhatus



**HOIATUS:** Enne toote kasutamist lugege läbi ohutuspeatükk ja veenduge, et oleksite kõigest aru saanud.

### Ettevalmistused enne toote käivitamist

1. Uurige tööala. Eemaldage esemed, mis võivad eemale paiskuda.
2. Kontrollige lõikeosa. Veenduge, et lõiketerad on teravad ning et neis pole pragusid ega kahjustusi.
3. Veenduge, et toode töötaks korralikult. Kontrollige, et kõik mutrid ja poldid oleksid korralikult pingutatud.
4. Veenduge, et käepide ja ohutusseadised pole kahjustatud ning on õigesti kinnitatud. Ärge kasutage toodet, kui mõni osa puudub või seda on võrreldes algsete tehniliste andmetega muudetud. Vajaduse korral kandke kaitsekindaid.
5. Enne toote kasutamist veenduge, et katted pole kahjustatud ja on õigesti kinnitatud.

### Akulaadija ühendamine

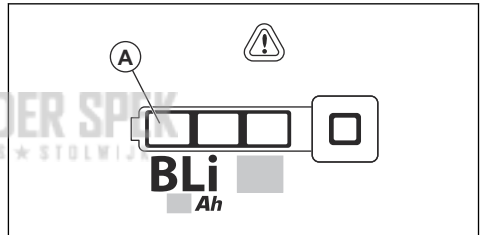
1. Ühendage akulaadija andmesildil näidatud pinge ja sagedusega võrku.
2. Ühendage pistik maandatud pistikupessa. Akulaadijal olev roheline märgutuli vilgub üks kord.

**Märkus:** Aku laadimist ei toimu, kui aku temperatuur on üle 50 °C / 122 °F. Kui temperatuur ületab 50 °C / 122 °F, siis jahutab akulaadija aku enne selle laadimise alustamist sobivale temperatuurile.

### Aku ühendamine akulaadijasse

**Märkus:** Enne aku esimest kasutuskorda laadige aku täis. Uue aku laetuse tase on ainult 30%.

1. Veenduge, et aku oleks kuiv.
2. Ühendage aku akulaadijaga.
3. Veenduge, et akulaadija roheline laadimistuli süttiks. See tähendab, et aku on akulaadijaga õigesti ühendatud.
4. Aku on täis, kui kõik aku LED-tuled (A) on süttinud.



5. Akulaadija toiteallikast lahutamiseks võtke kinni pistikust. Ärge tõmmake juhtmest.
6. Eemaldage aku laadijast.

**Märkus:** Lisateavet lugege aku ja akulaadija kasutusjuhenditest.

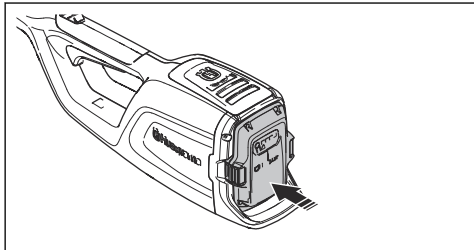
### Aku ühendamine seadmega.



**HOIATUS:** Kasutage seadmes ainult Husqvarna originaalakusid.

1. Veenduge, et aku oleks täis laetud.

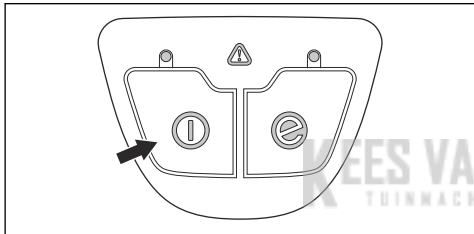
2. Asetage aku seadme akupessa. Aku peab hoidikusse libisema kergelt; vastasel korral pole aku õigesti paigaldatud.



3. Lükake akut alumisest osast ja lükake see täielikult akukambri sisse. Aku on kohale lukustunud, kui kuulete klõpsatust.
4. Veenduge, et riivid lukustuksid korralikult oma kohale.

## Toote käivitamine

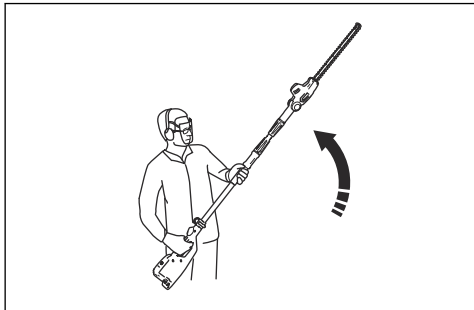
1. Lülitage käivitus- ja seiskamisnuppu seni, kuni süttib roheline LED-tuli.



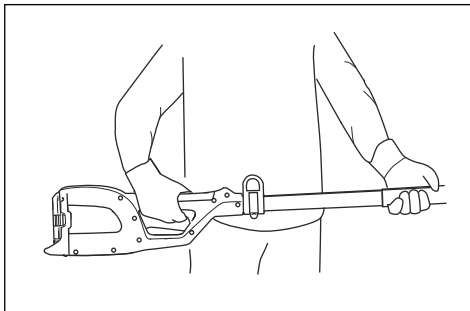
2. Tõmba toitelüliti lukku tahapoole ja hoi toitelüliti.

## Toote kasutamine

- Kui lõikate heki külgi, alustage maapinna lähedalt ja liigutage toodet mööda hekki ülespoole.



- Stabiilse tööasendi hoidmiseks hoidke toodet keha lähedal.

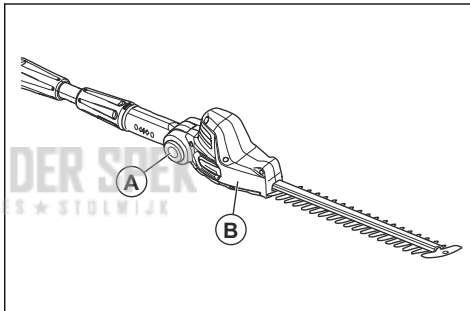


- Jälgige, et lõikeosa ots ei puudutaks maad.
- Olge ettevaatlik ja töötage aeglaselt, kuni kõik oksad on õigesti lõigatud.

## Lõikeosa kaldenurga reguleerimine

Lõikeosa saab reguleerida 7 erinevasse asendisse.

1. Seisake seade ja eemaldage aku.



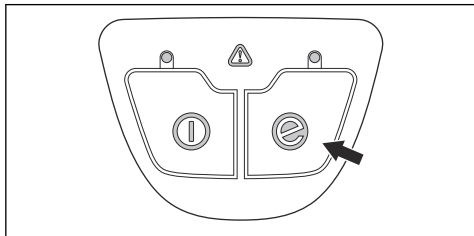
2. Hoi a korpust (B) tugevalt kinni.
3. Vajuta ja hoi a korpuse (B) külgedel asuvaid lukustusnuppe (A).
4. Sea lõikeosa õige nurga alla.
5. Vabasta 2 küljel lukustusnupud (A).
6. Liiguta korpust (B) üles ja alla, kuni lõikeosa kohale lukustub.

## SavE funktsiooni käivitamine

Toode on varustatud SavE-funktsiooniga. SavE tagab aku pikima võimaliku tööea.



1. Vajutage SavE-nuppu. Süttib LED-tuli, mis näitab, et funktsioon on sisse lülitatud.



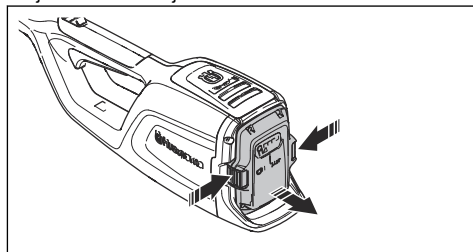
2. SavE funktsiooni peatamiseks vajutage uuesti SavE nuppu.

### Automaatse seiskamise funktsioon

Seadmel on automaatne väljalülitusfunktsioon, mis seiskab toote, kui seda ei kasutata. Käivitamise/ seiskamise märgutule roheline LED kustub ja toode seiskub 60 sekundi pärast.

### Seadme seiskamine

1. Vabastage toitelüliti.
2. Vajuta pikalt käivitus- ja seiskamisnuppu, kuni roheline LED kustub.
3. Eemaldage aku seadmest. Vajuta 2 vabastusnuppu ja tõmba aku välja.



---

## Hooldamine

---

### Sissejuhatus



**HOIATUS:** Enne seadme hooldamist lugege läbi ohutuspeatükk ja veenduge, et see oleks teile täielikult arusaadav.



**HOIATUS:** Enne seadme hooldustööde alustamist eemaldage aku.

### Hoolduskeem

Alljärgnevalt on esitatud loetelu seadme hooldustöödest, mida peab tegema seadme kasutaja.

KEES VAN DER SPEK  
ES \* STOLWIJK

Hooldus	Enne kasutamist	Üks kord nädalas	Iga kuu
Puhastage seadme välisosad.	X		
Kontrollige, kas käivitus- ja seiskamisnupp töötab korralikult ja on kahjustamata.	X		
Kontrollige, et toitelüliti ja toitelüliti lukustus töötavad ohutult ja nõuetekohaselt.	X		
Kontrollige, kas kõik juhtseadised töötavad korralikult ja on kahjustamata.	X		
Kontrollige, et lõikuri teral ega lõikuri kaitsel pole pragusid ega kahjustusi. Vahe- ta lõiketera või lõikuri kate välja, kui see on saanud lööke või on pragunenud.	X		
Kui lõikuri tera on väändunud või kahjustatud, vaheta see välja.	X		
Veenduge, et mutrid ja kruvid oleksid pingutatud.	X		
Veenduge, et aku ei oleks kahjustatud.	X		
Veenduge, et aku oleks laetud.	X		
Veenduge, et akulaadija ei oleks kahjustatud.	X		
Veenduge, et lõikuri terade kinnituskruvid oleksid korralikult pingutatud.		X	
Kontrollige aku ja seadme vahelisi ühendusi. Samuti kontrollige aku ja akulaadija vahelisi ühendusi.			X

## Aku ja akulaadija kontrollimine

1. Kontrollige, kas akul leidub kahjustusi, nt pragusid.
2. Kontrollige, kas akulaadijal leidub kahjustusi, nt pragusid.
3. Veenduge, et akulaadija ühendusjuhe poleks kahjustatud ja et sellel poleks pragusid.

## Seadme, aku ja akulaadija puhastamine

1. Pärast kasutamist puhastage seade kuiva riidelapiga.
2. Puhastage aku ja akulaadija kuiva riidelapiga. Hoidke akujuhikuid puhtana.
3. Enne aku asetamist akulaadijasse või tootesse veenduge, et aku ja akulaadija klemmid oleksid puhtad.

## Lõiketerade kontrollimine

1. Puhastage lõiketerad enne ja pärast toote kasutamist soovimatust materjalist roostevastase puhastusvahendiga.
2. Veenduge, et lõiketerade servades poleks kahjustusi ega deformatsiooni.
3. Eemaldage viiliga lõiketeradelt kraadid.

4. Veenduge, et lõiketerad saavad vabalt liikuda.

## Lõiketerade puhastamine ja määrimine

1. Puhastage lõiketerad enne ja pärast toote kasutamist soovimatust materjalist.
2. Enne pikaks ajaks hoiolepanekut määri- ge lõiketerasid.

**Märkus:** Soovitatud puhastusvahendite ja määrete kohta lisateabe saamiseks võtke ühendust hooldusesindajaga.

## Ülekande määrimine

Kandke määre ülekandele, kui ülekanne on volitatud hooldusesindaja poolt lahti võetud.

- Kasutage Husqvarna spetsiaalset määret. Soovitatud määre kohta lisateabe saamiseks võtke ühendust hooldusesindajaga.
- Kasutage väikest kogust kõrgekvaliteedilist erimääret.



**ETTEVAATUST:** Ärge täitke ülekannt täielikult.

## Veotsing

### Klahvistik

LED-ekraan	Võimalikud tõrked	Võimalikud lahendused
Tõrke LED-tuli vilgub	Ülekoormus	Lõikeosad ei saa vabalt liikuda. Vabastage lõikeosa.
Toode ei käivitu.	Akukonnektoritel on mustus.	Puhastage akukonnektorid suruõhu või pehme harjaga.
Tõrke LED-tuli süttib koos punase tulleaga.	Seade vajab hooldust	Pöörduge hooldusesindusse.

### Aku

LED-näidik	Võimalikud tõrked	Võimalik lahendus
Roheline LED-tuli vilgub.	Aku pinge madal.	Laadige aku.
Tõrke LED-tuli vilgub	Temperatuuri kõrvalekalle.	Kasutage akut keskkonnas, mille temperatuur jääb vahemikku $-10...40^{\circ}\text{C}$ ( $14...104^{\circ}\text{F}$ ).
	Liiga suur pinge.	Kontrollige, kas toiteallika võrgupinge vastab seadme andmesildil märgitule. Eemaldage aku laadijast.
Tõrke LED-tuli põleb.	Elementide erinevus on liiga suur (1 V).	Pöörduge hooldusesindusse.

### Akulaadija

Probleem	Võimalikud tõrked	Võimalik lahendus
Punane tõrke LED-tuli vilgub.	Temperatuuri kõrvalekalle.	Kasutage akulaadijat keskkonnas, mille temperatuur jääb vahemikku $5...40^{\circ}\text{C}$ ( $41...104^{\circ}\text{F}$ ).
Punane tõrke LED-tuli süttib ja jääb põlema.	Liiga suur elementide erinevus (1V).	Pöörduge hooldusesindusse.

## Transportimine, hoiulepanek ja utiliseerimine

### Transportimine ja hoiustamine

- Tarnitud liitiumioonakud vastavad ohtlike ainete eeskirjade nõuetele.
- Täitke kaubanduslikule transpordile kehtestatud pakendamise ja märgistamise erinõudeid (sh kolmandate osapoolte või ekspediitorite teenuseid kasutades).
- Enne seadme lähetamist konsulteerige isikuga, kes on läbinud ohtlike ainete käitlemise alase erikoolituse. Järgige kõiki kehtivaid riiklikke eeskirju.
- Enne aku pakendisse asetamist katke lahtised kontaktid isoleerteibiga. Asetage aku pakendisse tihkelt, et see ei saaks liikuma hakata.
- Hoiustamise ja transpordi ajaks tuleb aku eemaldada.

- Asetage aku ja akulaadija kohta, mis on kuiv ja mida ei ähvarda niiskus ega jäätumine.
- Ärge hoidke akut kohas, kus võib tekkida staatiline elekter. Ärge hoidke akut metallkastis.
- Hoidke akut ruumis, mille temperatuur püsib vahemikus 5...25°C (41...77°F) ja kus aku on varjatud otsese päikesevalguse eest.
- Hoidke akulaadijat ruumis, mille temperatuur püsib vahemikus 5...45°C (41...113°F) ja kus akulaadija on varjatud otsese päikesevalguse eest.
- Kasutage akulaadijat üksnes juhul, kui ümbritsev temperatuur on vahemikus 5...40°C.
- Enne aku pikemaajalist hoiustamist laadige see 30–50% ulatuses täis.
- Hoidke akulaadijat ruumis, mis on suletud ja kuiv.
- Ladustamisel hoidke aku akulaadijast eemal. Ärge lubage lastel ja teistel volitamata isikutel seadmeid puutuda. Hoidke seadmeid lukustatavas ruumis.
- Enne seadme pikemaajalist hoiustamist puhastage seade ja tehke sellele täishooldus.
- Transportimise ja hoiustamise ajal kasutage tootel olevat transpordikaitset, et vältida inimeste kehavigastusi ja toote kahjustusi.
- Kinnitage seade transpordi ajaks turvaliselt.

## Aku, akulaadija ja seadme kasutusel kõrvaldamine

Tootel või selle pakendil olevad sümbolid näitavad, et toodet ei tohi visata olmeprügi hulka. Toimetage see elektri- ja elektroonikajäätmete ringlussevõtukeskusesse. Nii aitate vältida keskkonna ja inimeste kahjustamist.

Kui soovite lisateavet oma toote ringlussevõtu kohta, võtke ühendust kohalike ametiasutuste, olmejäätmete käitleja või edasimüüjaga.

## Tehnilised andmed

### Tehnilised andmed

	120ITK4-H
<b>Mootor</b>	
Mootori tüüp	PMDC 36V
<b>Mass</b>	
Kaal ilma akuta (kg)	4,6
Kaal koos akuga (vaikimisi kasutatav aku BLi10), kg	5,3
<b>Müraemissioon<sup>37</sup></b>	
Helitugevuse tase, dB(A)	91,32
Müravõimsustase, garanteeritud L <sub>WA</sub> dB(A)	94
<b>Müratase<sup>38</sup></b>	
Mürarõhutase kasutaja kõrva juures, mõõdetud vastaval standarditele EN 62841-1 ja EN 62841-4-2, dB(A)	81,3
<b>Vibratsioonitaseme<sup>39</sup></b>	
Vibratsioonitasemed (a <sub>h</sub> ), eesmistest / tagumistest käepidemete juures, m/s <sup>2</sup> Vt EN 62841-1 ja EN 62841-4-2.	1,223/0,816

<sup>37</sup> Müraemissioon ümbritsevasse keskkonda, mõõdetud helivõimsuse tasemena (L<sub>WA</sub>) vastavalt EÜ direktiivile 2000/14/EÜ Erinevus garanteeritud ja mõõdetud helivõimsustaseme vahel seisneb selles, et direktiivi 2000/14/EÜ alusel hõlmab garanteeritud helivõimsustase ka mõõtmistulemuste dispersiooni ja kõrvalekaldeid sama mudeli erinevate toodete vahel.

<sup>38</sup> Helirõhutase ekvivalendi statistilise tüüpilise standardhälve on 3 dB(A).

<sup>39</sup> Vibratsioonitaseme kohta esitatud andmete tüüpiline statistiline dispersioon (standardhälve) on 1,5 m/s<sup>2</sup>.

Esitatud vibratsiooni koguväärtust on mõõdetud vastavalt standardsele katsemeetodile ning seda võib kasutada vaid tööriistade võrdlemiseks.

Esitatud vibratsiooni koguväärtust võib kasutada ka võimalike ohtude esialgsel hindamisel.

	120iTK4-H
<b>Lõikeosa</b>	
Tüüp	Kahepoolne
Lõiketera pikkus	500
Lõiketera kiirus lõiget/min SavE režiimi kasutamisel	2250
Lõiketera kiirus lõiget/min SavE režiimi mittekasutamisel	2800

## Heakskiidetud akulaadijad

Akulaadija	QC80
Sisendpinge, V	100–240
Sagedus, Hz	50–60
Võimsus, W	100
Väljundpinge, V DC/A	36/2

## Seadmes kasutamiseks heakskiidetud akud

Aku	BLi10
Tüüp	Liitiumioonaku
Aku mahtvus, Ah	Vt aku andmete kleebist
Nimipinge, V	36
Kaal, kg	0,7

---

# EÜ vastavusdeklaratsioon

---

## EÜ vastavusdeklaratsioon

**Husqvarna AB**, SE-561 82 Huskvarna, Rootsi, tel:  
+46-36-146500, kinnitab, et kõrghekilõikur

**Husqvarna120ITK4-H** seerianumbritega alates 2021 ja edasi (aastaarv ja sellele järgnev seerianumber on selgelt märgitud mudeli andmesildile) vastavad järgmiste NÕUKOGU DIREKTIIVIDE nõuetele:

- **2006/42/EÜ** (17. mai 2006), masinadirektiiv;
- **2014/30/EL** (26. veebruar 2014), elektromagnetilise ühilduvuse direktiiv;
- **2011/65/EL** (8. juuni 2011), teatavate ohtlike ainete kasutamise piiramise direktiiv.

Rakendatud on järgmisi standardeid:

**EN 62841-1:2015, EN 62841-4-2:2019, EN 55014-1:2017+A11, EN 55014-2:2015, CISPR12:2007+A1 2009, EN IEC 63000:2018.**

TÜV Rheinland LGA Products GmbH, Tillystrasse 2,  
D-90431 Nuernberg, Germany, on teinud Husqvarna AB tellimusel vabatahtliku tüübihindamise. Sertifikaadi number on: **AM 50491653 0001**.

Huskvarna 2020-12-30



The image shows a handwritten signature in black ink, which appears to be 'Pär Martinsson'. To the right of the signature is a large, semi-transparent watermark logo for 'KEES VAN DER SPEK'. Below the name 'KEES VAN DER SPEK' are the words 'TOOLMACHINE'S' and 'STOLWIJK' separated by a star symbol.

Pär Martinsson, arendusdirektor (Husqvarna AB volitatud esindaja ja tehnilise dokumentatsiooni vastutav juht)

## Sadržaj

Uvod.....	231	Rješavanje problema.....	243
Sigurnost.....	233	Prijevoz, spremanje i zbrinjavanje.....	244
Sastavljanje.....	239	Tehnički podaci.....	245
Rad.....	240	Izjava o sukladnosti EC.....	247
Održavanje.....	242		

## Uvod

### Opis proizvoda

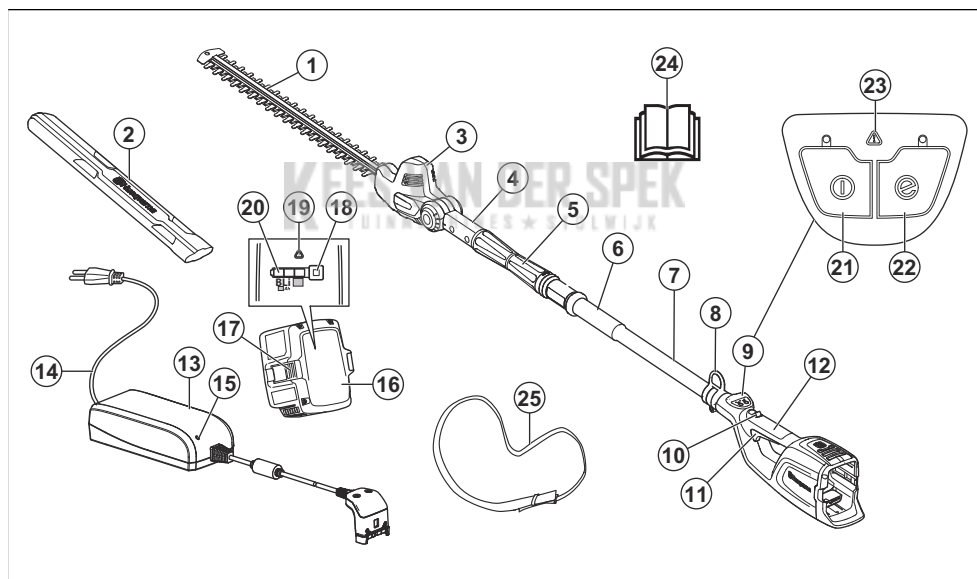
Husqvarna 120iTK4-H su teleskopske štapne škare za živicu s baterijom.

Neprestano radimo na povećanju vaše sigurnosti i učinkovitosti tijekom rada. Za više informacija obratite se servisnom distributeru.

### Namjena

Proizvod se upotrebljava za rezanje grana i grančica. Proizvod nemojte koristiti za druge zadatke.

### Pregled proizvoda



1. Nož
2. Transportni štitičnik
3. Kućište
4. Ručka za odvajanje
5. Teleskopska funkcija
6. Prednja ručica
7. Vratilo
8. Noseća kuka za naramenice
9. Tipkovnica
10. Blokada okidača paljenja
11. Okidač paljenja
12. Stražnja ručka
13. Punjač baterije
14. Uže
15. LED napajanja/upozorenja
16. Baterija
17. Gumbi za oslobađanje baterije
18. Gumb indikatora baterije
19. LED za upozorenje
20. LED indikatora baterije

21. Gumb za pokretanje/zaustavljanje
22. Gumb SavE
23. LED za upozorenje
24. Korisnički priručnik
25. Naramenice

## Simboli na proizvodu



**UPOZORENJE!** Ovaj proizvod može biti opasan. Ako se proizvod ne upotrebljava pažljivo i sigurno, može doći do ozljede ili smrti rukovatelja ili promatrača. Da biste spriječili ozljede rukovatelja ili promatrača, pročitajte i poštujte sve sigurnosne upute iz korisničkog priručnika. Pažljivo pročitajte korisnički priručnik i prije korištenja dobro usvojite sadržaj.



Na lokacijama na kojima postoji opasnost od padajućih predmeta nosite zaštitnu kacigu. Upotrebljavajte odobrenu zaštitu sluha. Upotrebljavajte odobrenu zaštitu za oči.



Upotrebljavajte odobrene zaštitne rukavice.



Proizvod ispunjava mjerodavne direktive EZ.



Nazivni napon, V



Istosmjerna struja.



Nemojte izlagati kiši.



Ruke držite dalje od noža.



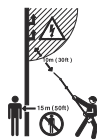
Teleskopska funkcija.



Funkcija dodvajanja.



Okrenite nalijevo za otpuštanje kotačića, okrenite nadesno za pritezanje kotačića.



Proizvod nije izoliran. Ako proizvodom dodirnete ili pridete blizu visokonaponskih vodova, ishod može biti smrt ili teške ozljede. Postoji opasnost od nastanka električnog luka između bliskih točaka. Što je viši napon, to je veća udaljenost na kojoj se može oblikovati luk. Struja također može protjecati kroz grane i druge predmete, posebice kada su vlažni. Uvijek održavajte minimalnu udaljenost od 10 m između proizvoda i visokonaponskih vodova i/ili svih predmeta koji ih dodiruju. Ako morate raditi unutar ove sigurnosne udaljenosti, obavezno se obratite zaduženom distributeru električne energije radi isključenja napajanja prije početka rada. Tijekom rada održavajte barem 15 m udaljenosti od drugih osoba ili životinja.

gggggtoxxx

Na natpisnoj pločici je serijski broj. **yyyy** je godina proizvodnje, a **ww** je jedan proizvodnje.

**Napomena:** Drugi simboli/naljepnice na proizvodu odnose se na zahtjeve za certifikaciju na pojedinim tržištima.

## Simboli na bateriji i/ili punjaču baterija



Reciklirajte ovaj proizvod u reciklažnoj stanici za električnu i elektroničku opremu. (Primjenjuje se samo na Europu)



Sigurnosni transformator.



Punjač baterije koristite i čuvajte isključivo u zatvorenom prostoru.



Dvostruka izolacija.

## Pouzdanost proizvoda

Sukladno zakonima o pouzdanosti proizvoda nismo odgovorni za oštećenja uzrokovana našim proizvodima ako je:

- proizvod nepravilno popravljen



- proizvod popravljen dijelovima koje nije proizveo proizvođač ili nemaju odobrenje proizvođača
- proizvod ima dodatnu opremu koje nije proizveo proizvođač ili nemaju odobrenje proizvođača
- proizvod nije popravljen u odobrenom servisnom centru ili kod ovlaštene osobe.

## Sigurnost

### Sigurnosne definicije

Upozorenjima, oprezima i napomenama naglašavaju se posebno važni dijelovi priručnika.



**UPOZORENJE:** Koristi se kada nepoštivanje uputa iz priručnika može uzrokovati smrt ili ozljede rukovatelja ili promatrača.



**OPREZ:** Koristi se kada nepoštivanje uputa iz priručnika može uzrokovati oštećenje proizvoda ili drugih materijala u neposrednoj blizini.

**Napomena:** Koristi se prikaz neophodnih dodatnih informacija za zadanu situaciju.

### Opća sigurnosna upozorenja za električne alate



**UPOZORENJE:** Pažljivo pročitajte sve sigurnosne upute i upozorenja. Nepoštivanje upozorenja i uputa može uzrokovati električni udar, požar i/ili ozbiljne ozljede.

**Napomena: Spremite sva upozorenja i upute za buduće potrebe.** Pojam "električni alat" u upozorenjima odnosi se na električni alat koji se napaja kabelom putem mrežne utičnice (ožičeni) ili električni alat na baterije (bežični).

### Sigurnost na radnom mjestu

- **Radno mjesto mora biti čisto i dobro osvijetljeno.** Zakrčeni i tamni prostori čest su uzrok nesreća.
- **Nemojte upotrebljavati električne alate u eksplozivnim okruženjima, primjerice u blizini zapaljivih tekućina, plinova i prašine.** Električni alati stvaraju iskre koje mogu zapaliti prašinu ili isparenja.
- **Dok rukujete električnim alatom, pazite da u blizini nema djece ni promatrača.** Svako ometanje može uzrokovati gubitak nadzora nad strojem.

### Električna sigurnost

- **Utišnici električnog alata moraju odgovarati utičnicama. Nemojte ni na koji način mijenjati utikač. Nemojte upotrebljavati utikače prilagodnika za**

**električne alate s uzemljenjem.** Originalni utikači i odgovarajuće utičnice smanjuju opasnost od strujnog udara.

- **Izbjegavajte kontakt s uzemljenim površinama kao što su cijevi, radijatori, štednjaci i hladnjaci.** Postoji velika opasnost od strujnog udara ako dođete u dodir s uzemljenom površinom.
- **Električne alate nemojte izlagati kiši ili vlažnim uvjetima.** U slučaju dospijevanja vode u električni alat povećava se opasnost od strujnog udara.
- **Pazite na kabel. Kabel nemojte upotrebljavati za prenošenje, povlačenje ili isključivanje električnog alata. Držite ga podalje od vrućine, ulja, oštih rubova ili pokretnih dijelova.** Oštećeni ili zapetljani kabeli povećavaju opasnost od strujnog udara.
- **Kada električni alat upotrebljavate na otvorenom, morate upotrebljavati odgovarajući produžni kabel.** Kabel predviđen za upotrebu na otvorenom smanjuje opasnost od strujnog udara.
- **Ako električnim alatom morate rukovati na vlažnom mjestu, koristite napajanje putem zaštitnog uređaja diferencijalne struje (RCD).** Primjenom zaštitnog uređaja diferencijalne struje (RCD) smanjuje se opasnost od strujnog udara.

### Osobna sigurnost

- **Budite usredotočeni, pazite što radite i razumno upravljajte električnim alatom. Električni alat nemojte upotrebljavati umorni ili pod djelovanjem droga, alkohola ili lijekova.** Trenutak nepažnje pri rukovanju električnim alatom može uzrokovati ozbiljne tjelesne ozljede.
- **Upotrebljavajte osobnu zaštitnu opremu. Uvijek nosite zaštitu za oči.** Upotreba zaštitne opreme poput maske za prašinu, protukliznih zaštitnih cipela, kacige i štitnika za uši u odgovarajućim uvjetima smanjuje opasnost od tjelesnih ozljeda.
- **Spriječite nehotično pokretanje stroja. Prije podizanja ili prenošenja alata ili pak njegovu priključivanja na napajanje i/ili bateriju sklopka mora biti u isključenom položaju (OFF).** Držanje prsta na prekidaču prilikom nošenja električnih alata ili priključivanje napajanja električnih alata kojima je prekidač uključen povećava rizik od nesreće.
- **Prije uključivanja električnog alata izvadite klin za prilagođavanje ili uklonite ključ.** Ako ključ ili klin ostanu na pokretnom dijelu električnog alata, može doći do tjelesnih ozljeda.
- **Ne posežite predaleko. Uvijek imajte dobar oslonac i održavajte ravnotežu.** To omogućuje bolju kontrolu električnog alata u neočekivanim situacijama.

- **Nosite prikladnu odjeću. Nemojte nositi široku odjeću ni nakit.** Kosu i odjeću držite podalje od pomičnih dijelova. Široka odjeća, nakit ili duga kosa mogu zapeti u pokretnim dijelovima stroja.
- **Ako su priloženi uređaji za povezivanje mehanizama za izdvajanje i prikupljanje prašine, pripazite na njihovo pravilno priključivanje i upotrebu.** Upotreba mehanizama za prikupljanje prašine može smanjiti opasnosti uzrokovane prašinom.
- **Zbog rutiniranosti nastale čestom primjenom alata nemojte postati samodopadni te zanemarivati sigurnosna pravila.** Neoprezan rad u djeliću sekunde može uzrokovati ozbiljnu ozljedu.
- Jačina vibracija tijekom upotrebe električnog alata može se razlikovati od navedene ukupne vrijednosti ovisno o načinu upotrebe alata. Kako bi se zaštitio, rukovatelj mora odrediti sigurnosne mjere koje se temelje na procjeni izlaganja u stvarnim uvjetima upotrebe (u obzir treba uzeti sve dijelove u radnom ciklusu, kao što je broj isključivanja alata i rad u praznom hodu uz korištenje prekidača).

## Upotreba i održavanje električnog alata

- **Nemojte preopterećivati električni alat. Upotrebljavajte električni alat koja odgovara namjeni.** Odgovarajući električni alat posao će obaviti bolje i sigurnije pri onoj brzini za koju je oblikovan.
- **Nemojte upotrebljavati električni alat ako mu se sklopka ne može uključiti i isključiti.** Električni alat kojim ne možete upravljati putem sklopke opasan je i potrebno ga je popraviti.
- **Isključite utikač iz izvora napajanja i/ili izvadite baterije iz električnog alata prije bilo kakvih izmjena, mijenjanja dodatka ili spremanja alata.** Te preventivne sigurnosne mjere smanjuju opasnost od nehotičnog pokretanja električnog alata.
- **Električne alate koji nisu u upotrebi skladištite izvan dohvata djece i osobama koje ne poznaju alat i nisu pročitale ove upute nemojte dopustiti rukovanje alatom.** Električni alati mogu biti opasni kada njima rukuju neiskusni korisnici.
- **Održavajte električne alate. Provjerite jesu li spojni ili pokretni dijelovi pogrešno namješteni, je li neki dio oštećen te postoje li neki drugi uzroci koji bi mogli onemogućiti ispravan rad električnog alata. Ako postoje oštećenja, popravite električni alat prije upotrebe.** Uzrok mnogim nesrećama jest loše održavanje električnih alata.
- **Alati za rezanje moraju biti oštri i čisti.** Ispravno održavani alati za rezanje s oštrim reznim oštricama neće se zablokirati te ih je lakše kontrolirati.
- **Upotrebljavajte električni alat, dodatke i dijelove itd. u skladu s ovim uputama, uzimajući u obzir radne uvjete i posao koji treba obaviti.** Upotreba električnih alata u neodgovarajuće svrhe može dovesti do opasnih situacija.
- **Ručke i prihvatne površine moraju biti suhe, čiste i bez tragova ulja i masti.** Klizave ručke i prihvatne površine u neočekivanim situacijama onemogućuju sigurno rukovanje i kontrolu na alatom.

## Upotreba i čišćenje alata za bateriju

- **Bateriju puniti samo punjačem koji je odredio proizvođač.** Punjač prikladan za jedan tip baterije može izazvati rizik od požara ako se koristi s drugom baterijom.
- **Upotrebljavajte električne alate samo s posebno namijenjenim baterijama.** Upotreba bilo koje druge baterije može izazvati rizik od ozljede i požara.
- **Kad bateriju ne koristite, držite je daleko od ostalih metalnih predmeta kao što su spojnice za papir, novčići, ključevi, čavli, vijci ili drugi mali metalni predmeti koji bi mogli dovesti do spoja između priključaka.** Kratki spoj između priključaka baterije može prouzročiti opekline ili požar.
- **U uvjetima lošeg postupanja, iz baterije može štrcnuti tekućina, izbjegavajte dodir s njom. Ako slučajno dođe do dodira, isperite vodom. Ako tekućina dođe u dodir s očima, potražite i liječničku pomoć.** Tekućina koja štrcne iz baterije može izazvati iritacije ili opekline.
- **Nemojte upotrebljavati baterijski komplet ili alat koji je oštećen ili modificiran.** Oštećene ili modificirane baterije mogu se nepredvidivo ponašati i time dovesti do požara, eksplozije ili opasnosti od ozljede.
- **Baterijski komplet ni alat nemojte izlagati vatri ni ekstremnim temperaturama.** Izlaganje vatri ili temperaturama većima od 130 °C / 265 °F može dovesti do eksplozija.
- **Pridržavajte se svih uputa za punjenje i baterijski komplet ni alat nemojte puniti izvan temperaturnog raspona navedenog u uputama.** Neispravno punjenje ili držanje na temperaturama izvan navedenog raspona može oštetiti bateriju i povećati mogućnost požara.

## Servisiranje

- **Električni alat mora servisirati obučeni serviser s jednakim zamjenskim dijelovima.** Time se zadržava sigurnost električnog alata.
- **Oštećene baterijske pakete nikada nemojte servisirati.** Servisiranje baterijskih paketa dopušteno je samo proizvođaču ili ovlaštenim servisnim distributerima.

## Sigurnosne upute za škare za živicu

- **Držite sve dijelove tijela podalje od noža. Nemojte uklanjati isječeni materijal ili držati materijal namijenjen za rezanje dok se noževi pomiču.** Noževi se okreću i nakon isključenja motora. Trenutak nepažnje prilikom rukovanja škarama za živicu može uzrokovati ozbiljne osobne tjelesne ozljede.
- **Škare za živicu nosite držeći je za ručku, sa zaustavljenim nožem i pazite da ne primijenite bilo koju od električnih sklopki.** Pravilnim prenošenjem škara za živicu smanjujete opasnost od slučajnog pokretanja i tjelesnih ozljeda od noževa.
- **Prilikom prijevoza ili skladištenja škara za živicu obavezno postavite poklopac noža.** Pravilnim

rukovanjem škarama za živicu smanjujete opasnost od tjelesnih ozljeda od noževa.

- **Pri uklonjanju zaglavljenog materijala ili servisiranju jedinice provjerite jesu li sve električne sklopke isključene, a električni kabel odspojen.** Neočekivano pokretanje škara za živicu tijekom uklonjanja zaglavljenog materijala ili servisiranja može uzrokovati ozbiljne tjelesne ozljede.
- **Škare za živicu držite samo za izolirane površine namijenjene za držanje, budući da nož rezača može doći u kontakt sa skrivenim ožičenjem ili vlastitim kabelom.** Noževi rezača u dodiru sa žicom pod naponom mogu provoditi struju na sve metalne dijelove električnog alata te rukovatelju zadati strujni udar.
- **Sve električne žice i kabele držite podalje od reznog područja.** Električne žice ili kabeli mogu biti prikriveni živicama ili grmljem i možete ih nehotično prerezati nožem.
- **Škare za živicu nemojte upotrebljavati u lošim vremenskim uvjetima, posebno ako postoji opasnost od grmljavine.** Time smanjujete opasnost od udara munje.
- **Radi smanjenja opasnosti od strujnog udara škare za živicu produljenog dometa nikada nemojte upotrebljavati u blizini električnih vodova.** Dodir s ili upotreba blizu električnih vodova mogu uzrokovati ozbiljne ozljede ili strujni udar koji uzrokuju smrt.
- **Škare za živicu uvijek upotrebljavajte s obje ruke.** Škare za živicu držite s obje ruke kako biste spriječili gubitak kontrole nad njima.
- **Obavezno nosite zaštitu za glavu kada škare za živicu upotrebljavate u području iznad razine glave.** Ostaci koji padaju mogu uzrokovati ozljede.

## Opće sigurnosne upute



**UPOZORENJE:** Prije upotrebe proizvoda pročitajte upozoravajuće upute u nastavku.

- Uklonite bateriju kako biste spriječili slučajno pokretanje proizvoda.
- Ako ga upotrebljavate neoprezno ili nepravilno, ovaj proizvod je opasan alat. Ovaj proizvod može izazvati teške ozljede ili smrt rukovatelja ili drugih osoba.
- Nemojte upotrebljavati proizvod ako su mu promijenjene početne specifikacije. Nemojte mijenjati dio proizvoda bez odobrenja proizvođača. Upotrebljavajte isključivo dijelove s odobrenjem proizvođača. Nepravilno održavanje može uzrokovati ozljede ili smrt.
- Pregledajte proizvod prije upotrebe. Pogledajte *Sigurnosni uređaji za proizvod na stranici 237* i *Održavanje na stranici 242*. Nemojte upotrebljavati neispravan proizvod. Provodite sigurnosne provjere, održavanje i servis opisane u ovom priručniku.
- Djecu treba nadzirati kako se ne bi igrala s proizvodom. Upotrebu ili servisiranje proizvoda i/ili

baterije nikada nemojte prepustiti djeci ili osobama bez odgovarajuće obuke. Dob korisnika može biti ograničena lokalnim zakonima.

- Proizvod čuvajte u zaključanom prostoru kako biste onemogućili pristup djeci ili osobama bez odobrenja.
- Proizvod spremite izvan dohvata djece.
- Ni u kojem slučaju ne smijete mijenjati dizajn proizvoda bez odobrenja od proizvođača. Obavezno upotrebljavajte originalne dodatke. Neovlaštene izmjene i/ili dodatna oprema mogu uzrokovati ozbiljne tjelesne ozljede ili smrt rukovatelja ili drugih osoba.

**Napomena:** Upotrebu mogu regulirati nacionalni ili lokalni propisi. Sukladnost s navedenim propisima.

## Sigurnosne upute za rad



**UPOZORENJE:** Prije upotrebe proizvoda pročitajte upozoravajuće upute u nastavku.

- Ako dođete u situaciju u kojoj niste sigurni što napraviti, obratite se stručnjaku. Obratite se zastupniku ili serverisu. Izbjegavajte sve upotrebe za koje procijenite da su izvan vaših mogućnosti.
- Proizvod nikada nemojte upotrebljavati umorni, pod utjecajem alkohola, lijekova, pod terapijom ili izloženi bilo čemu što utječe na vaš vid, opreznost, koordinaciju ili sposobnost rasuđivanja.
- Rad u lošim vremenskim uvjetima umara i često je opasniji. Zbog povećane opasnosti ne preporučuje se upotreba proizvoda po vrlo lošem vremenu, npr. u gustoj magli, po jakoj kiši, snažnom vjetru, intenzivnoj hladnoći ili opasnosti od grmljavinskog nevremena.
- Neispravan rezni pribor povećava opasnost od nezgoda.
- Djeca ne smiju upotrebljavati stroj niti se zadržavati u njegovoj blizini. Budući da se uređaj lako pokreće, djeca bi ga mogla pokrenuti ako nisu pod strogim nadzorom. To može rezultirati ozbiljnim tjelesnim ozljedama. Odspojite bateriju kada uređaj nije pod strogim nadzorom.
- Tijekom rada ljudima ili životinjama onemogućite pristup na bliže od 15 metara. Kada nekoliko rukovatelja radi na istom području sigurnosna udaljenost treba biti barem 15 metara. U suprotnom može doći do ozbiljnih tjelesnih ozljeda. Ako se netko približi, odmah zaustavite proizvod. Nikada se nemojte okretati s proizvodom bez prethodne provjere sigurnosnog područja iza vas.
- Pobrinite se da ljudi, životinje ili drugi predmeti ne mogu utjecati na vaš nadzor nad proizvodom i da oni ne dolaze u doticaj s reznim priborom ili nepričvršćenim predmetima koje dodaci za rezanje odbacuju. Međutim, proizvod nemojte upotrebljavati ako ne postoji mogućnost pozivanja u pomoć u slučaju nesreće.

- Uvijek pregledajte radno područje. Uklonite sve nepričvršćene predmete, kao što je kamenje, razbijeno staklo, čavli, čelična žica, konopac, i sl. koji bi se mogli ometati oko dodatka za rezanje ili koje bi on mogao odbaciti.
- Osigurajte sigurno kretanje i stav. Provjerite ima li u okolnom području prepreka (korijenja, kamenja, grana, rupa i slično) za slučaj naglog kretanja. Budite izuzetno oprezni pri radu na kosini.
- Obavezno održavajte ravnotežu i stabilan položaj. Ne posežite predaleko.
- Isključite proizvod prije prelaska na drugo područje. Kada proizvod ne upotrebljavate, postavite prijenosni štitičnik.
- Nikada nemojte spuštati proizvod ako ga niste isključili. Uključeni proizvod nemojte ostavljati bez nadzora.
- Prije predavanja proizvoda drugoj osobi uklonite bateriju.
- Pri pokretanju proizvoda pazite da niti jedan dio odjeće ili dijela tijela ne dođe u dodir s reznim priborom.
- Ako tijekom pogona dođe do zaglavljenja reznog pribora, zaustavite i isključite proizvod. Provjerite je li rezni pribor potpuno zaustavljen. Prije čišćenja, pregleda ili popravka proizvoda i/ili rezne opreme uklonite bateriju.
- Pri isključenju proizvoda šake i stopala držite podalje od reznog pribora sve dok se potpuno ne zaustavi.
- Pripazite na panjeve ili grane koje mogu biti izbačene tijekom rezanja. Nemojte rezati preblizu tlu kako ne biste izbacili kamenje i druge predmete.
- Pazite na izbačene predmete. Obavezno nosite odobrenu zaštitu za oči. Nikada se ne nemojte naginjati preko štitičnika reznog pribora. Kamenje, otpaci i sl. mogu biti odbačeni u oči, što može prouzročiti sljepoću ili ozbiljne ozljede.
- Uvijek pazite na znakove upozorenja ili dovike prilikom upotrebe zaštite sluha. Obavezno uklonite zaštitu sluha odmah po zaustavljanju proizvoda.
- Nikada nemojte raditi s ljestvi, stolice ili drugog nepotpuno osiguranog povišenog položaja.
- Ovaj uređaj tijekom rada stvara elektromagnetsko polje. To polje u određenim okolnostima može ometati aktivne ili pasivne medicinske implantate. Da biste smanjili opasnost od ozbiljnih ili smrtnih ozljeda, preporučujemo da se osobe s medicinskim implantatima obrate svom liječniku i proizvođaču implantata prije početka rada.
- Uvijek držite ovaj proizvod objema rukama. Proizvod držite na desnoj strani tijela.
- Prije uklanjanja materijala koji je zamotan oko osovine noža ili zaglavljen između štitičnika i reznog pribora obavezno zaustavite proizvod, uklonite bateriju i uvjerite se kako je rezni pribor nepomičan.
- Elektromagnetsko polje tijekom rada može ometati aktivne ili pasivne medicinske implantate. Osobe s medicinskim implantatima prije upotrebe proizvoda

trebaju razgovarati s liječnikom i proizvođačem medicinskog implantata.

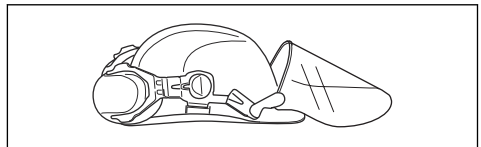
- Težinu proizvoda ovjesite na naramenice kako biste njime lakše rukovali.
- Dugotrajno izlaganje buci može uzrokovati trajno oštećenje sluha. Husqvarna preporučuje da rukovatelji upotrebljavaju odobrenu zaštitu sluha.
- Nikada nemojte upotrebljavati proizvod koji je na bilo koji način izmijenjen u odnosu na izvorne specifikacije.
- Nikada nemojte upotrebljavati neispravan proizvod. Redovno vršite sigurnosne provjere, održavanje i servis kao što je opisano u ovom priručniku. Neke od radnji održavanja i servisiranja trebaju vršiti isključivo obučeni i kvalificirani stručnjaci. Potražite upute pod naslovom za održavanje.
- Prije upotrebe proizvoda provedite cjeloviti pregled. Pogledajte raspored održavanja.
- Upotrebu stroja nemojte dopustiti osobama koje nisu s razumijevanjem pročitale sadržaj priručnika za rukovatelja.
- U radnom području provjerite odsutnost stranih tijela kao što su strujni kabeli, životinje ili sličnih predmeta koji bi mogli oštetiti rezni priključak, poput metalnih dijelova.
- Neispravni noževi mogu povećati opasnost od nezgoda.

## Oprema za osobnu zaštitu



**UPOZORENJE:** Prije upotrebe proizvoda pročitajte upozoravajuće upute u nastavku.

- Prilikom uporabe proizvoda uvijek upotrebljavajte odobrenu osobnu zaštitnu opremu. Oprema za osobnu zaštitu ne može u potpunosti spriječiti ozljede, no smanjuje stupanj ozljede u slučaju nezgode. Pri odabiru odgovarajuće opreme zatražite pomoć ovlaštenog trgovca.
- Upotrebljavajte zaštitnu kacigu ako postoji opasnost od pada predmeta.



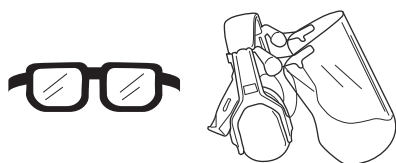
- Dugotrajno izlaganje buci može uzrokovati oštećenje sluha. Baterijama napajani proizvodi uglavnom su relativno tihi, no do oštećenja može doći zbog razine buke pri dugotrajnoj upotrebi. Husqvarna rukovateljima preporučuje upotrebu zaštite sluha pri

dužoj neprekidnoj upotrebi tijekom dana. Stalni i česti korisnici trebaju redovno provjeravati sluh.



**UPOZORENJE:** Zaštite sluha ograničavaju sposobnost poimanja zvukova i signala upozorenja.

- Upotrebljavajte odobrenu zaštitu za oči. Ako nosite vizir, morate nositi i odobrene zaštitne naočale. Odobrene zaštitne naočale moraju ispunjavati standard ANSI Z87.1 za SAD ili EN 166 za države EU.



- Prema potrebi nosite rukavice, primjerice prilikom pričvršćenja, pregleda ili čišćenja rezne opreme.



- Nosite odjeću napravljenu od čvrstog materijala. Uvijek nosite teške duge hlače i duge rukave. Nemojte nositi široku odjeću koja može zapinjati za grane i prutove. Nemojte nositi nakit, kratke hlače, sandale ili biti bos. Kosu podignite iznad ramena.
- Imajte u blizini pribor za prvu pomoć.



## Sigurnosni uređaji za proizvod



**UPOZORENJE:** Prije korištenja proizvoda pročitajte upozoravajuće upute u nastavku.

U ovom odjeljku opisane su sigurnosne značajke proizvoda, njegova namjena te način provedbe provjera i održavanja za osiguranje ispravnog rada. Za položaj dijelova na proizvodu pogledajte upute pod naslovom *Pregled proizvoda na stranici 231*.

Nepravilno održavanje te neprofesionalno servisiranje i/ili popravci proizvoda skraćuju vijek trajanja proizvoda i povećavaju opasnost od nezgoda. Sve dodatne informacije zatražite od najbližeg servisnog zastupstva.



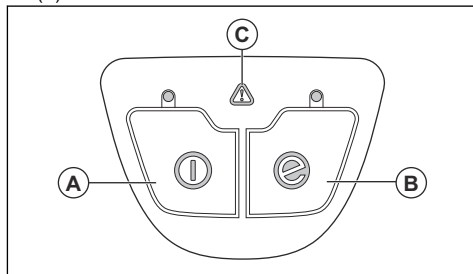
**UPOZORENJE:** Nikada nemojte upotrebljavati proizvod s oštećenim dijelovima sigurnosne opreme. Provodite provjere i održavajte sigurnosnu opremu proizvoda prema uputama opisanim u ovom odjeljku. Ako proizvod ne zadovolji bilo koju od ovih provjera, obratite se serviseru radi popravka.



**OPREZ:** Specijalan tečaj je potreban za servisiranje i popravak stroja. Ovo se posebno odnosi na sigurnosnu opremu stroja. Ukoliko Vaš stroj ne prođe na kojem od dolje opisanih provjera, odnesite ga svom serviseru. Kada kupite neki od naših proizvoda mi Vam jamčimo mogućnost profesionalnog popravka i servisa. Ukoliko prodavač koji Vam je prodao stroj nije zadužen i za servisiranje, pitajte ga za adresu najbližeg serviseru.

## Provjera tipkovnice

1. Pritisnite i zadržite gumb za pokretanje/zaustavljanje (A).

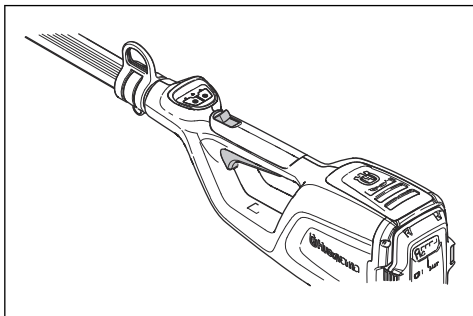


- a) Proizvod je uključen kada svijetli LED indikator.
  - b) Proizvod je isključen kada LED indikator ne svijetli.
2. Opis funkcioniranja gumba Save (B) potražite u odjeljku *Pokretanje funkcije Save na stranici 242*.
  3. Pogledajte *Rješavanje problema na stranici 243* ako svijetli ili trepti indikator upozorenja (C).

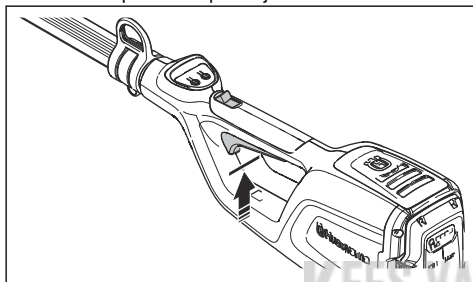
## Provjera blokade okidača paljenja

Blokada okidača paljenja sprječava nehotično pokretanje. Kada otpustite ručku, okidač paljenja i

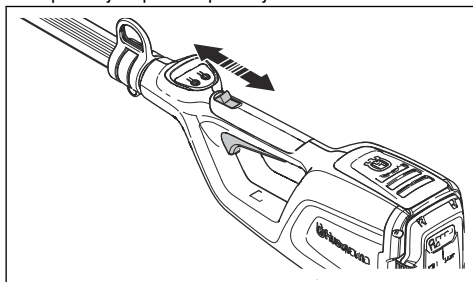
blokada okidača paljenja vraćaju se na svoj početni položaj.



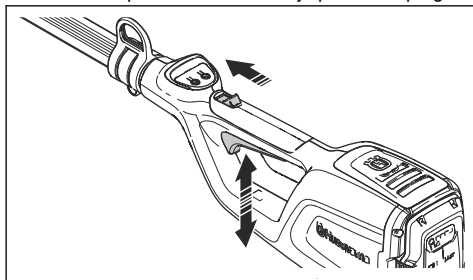
1. Provjerite je li okidač paljenja blokiran kada je blokada u početnom položaju.



2. Povucite i pustite blokadu pa provjerite vraća li se po otpuštanju u početni položaj.



3. Provjerite slobodno kretanje okidača paljenja i blokade te pravilno funkcioniranje povratne opruge.



4. Pokrenite proizvod, pogledajte *Pokretanje proizvoda na stranici 241*.
5. Dajte puni gas.
6. Otpustite okidač paljenja i provjerite je li se rezni pribor potpuno zaustavio.

## Sigurnost baterije



**UPOZORENJE:** Prije upotrebe proizvoda pročitajte upozoravajuće upute u nastavku.

- Preporučena baterija je BLI10. Pogledajte *Tehnički podaci na stranici 245*. Baterija je softverski šifrirana.
- Punjive baterije BLI10 upotrebljavajte isključivo za napajanje odgovarajućih proizvoda tvrtke Husqvarna. Bateriju nemojte upotrebljavati za napajanje drugih proizvoda jer postoji opasnost od ozljeda.
- Opasnost od strujnog udara. Polove baterije nemojte spajati s ključevima, kovanicama, vijcima ili drugim metalom. Tako može doći do kratkog spoja baterije.
- Nemojte upotrebljavati baterije koje nisu punjive.
- Nemojte umetati predmete u zračne urete baterije.
- Bateriju zaštitite od sunčeve svjetlosti, vrućine i otvorenog plamena. Baterija može uzrokovati opekline i/ili kemijske opekline.
- Zaštitite bateriju od kiše i mokrih uvjeta.
- Zaštitite bateriju od mikrovalova i visokog tlaka.
- Bateriju nemojte rastavljati ili razbijati.
- Ako baterija počne propuštati, nemojte dopustiti da vam tekućina dospije na kožu ili u oči. Ako ste dodirnuti tekućinu, isperite površinu velikom količinom sapunice i zatražite medicinsku pomoć. Ako vam je tekućina prodrla u oči, nemojte ih trljati. Najmanje 15 minuta ispirite ih vodom te zatražite medicinsku pomoć.
- Bateriju upotrebljavajte u rasponu temperatura od -10 °C (14 °F) i 40 °C (114 °F).
- Bateriju ili punjač baterije nikada nemojte čistiti vodom. Pogledajte *Čišćenje proizvoda, baterije i punjača baterije na stranici 243*.
- Nemojte upotrebljavati neispravnu ili oštećenu bateriju.
- Baterije skladištite dalje od metalnih predmeta poput čavala, vijaka ili nakita.
- Bateriju držite podalje od djece.

## Sigurnost punjača baterije



**UPOZORENJE:** Prije upotrebe proizvoda pročitajte upozoravajuće upute u nastavku.

- Nepoštovanje sigurnosnih uputa može uzrokovati električni udar ili kratki spoj.

- Upotrebljavajte isključivo punjače baterija isporučene uz proizvod. Kad puniti bateriju BLi10 preporučeni punjač je QC80.
- Nemojte rastavljati punjač baterije.
- Nemojte upotrebljavati neispravan ili oštećen punjač baterije.
- Punjač baterije nemojte podizati za električni kabel. Za odspajanje punjača baterije od zidne utičnice izvucite utikač. Nemojte povlačiti kabel za napajanje.
- Sve kabele i produžne kabele držite podalje od vode, ulja i oštirih rubova. Kabel nemojte zahvatiti predmetima, npr. vratima, ogradama i sl.
- Punjač baterije nemojte upotrebljavati u blizini zapaljivih materijala ili materijala koji mogu uzrokovati koroziju. Punjač baterije ne smije biti prekriven. Ako dođe do razvoja dima ili požara, odspojite utikač punjača baterije.
- Bateriju puniti isključivo u zatvorenom, dobro prozračenom zatvorenom prostoru bez izravne sunčeve svjetlosti. Baterije nemojte puniti na otvorenom. Bateriju nije dopušteno puniti u vlažnim uvjetima.
- Punjač baterije upotrebljavajte isključivo na temperaturama između 5 °C (41 °F) i 40 °C (104 °F). Punjač baterije upotrebljavajte u prozračnom i suhom okruženju bez prašine.
- Nemojte umetati predmete u rashladne otore punjača baterije.
- Nikada nemojte priključivati terminale punjača baterije na metalne predmete jer tako možete izazvati kratki spoj na punjaču baterija.
- Upotrebljavajte neoštećene i odobrene mrežne utičnice. Uvjerite se da su žica i punjač baterije

neoštećeni. Ako upotrebljavate produžni kabel, provjerite da nije oštećen.

## Sigurnosne upute za održavanje



**UPOZORENJE:** Prije održavanja proizvoda pročitajte upozoravajuće upute u nastavku.

- Uklonite bateriju prije održavanja, drugih provjera ili sastavljanja proizvoda.
- Rukovatelj smije provoditi samo radove održavanja i servisiranja opisane u ovom korisničkom priručniku. Za veća održavanja i servisiranje obratite se serviseru.
- Bateriju ili punjač baterije nikada nemojte čistiti vodom. Jači deterđent može oštetiti plastiku.
- Ako ne provodite održavanje, smanjujete vijek trajanja stroja i povećavate opasnost od nezgoda.
- Sva servisiranja i popravci uvjetuju posebnu obuku, posebice oni na sigurnosnim uređajima na proizvodu. Ako nakon provedbe održavanja nisu odobrene sve provjere iz ovog korisničkog priručnika, obratite se serviseru. Jamčimo dostupnost profesionalnih popravaka i servisiranja za vaš proizvod.
- Zupce noža održavajte pravilno naoštrenima. Pridržavajte se naših preporuka. Također pogledajte upute na ambalaži noža.
- Upotrebljavajte samo originalne rezervne dijelove.
- Pri popravku reznog pribora obavezno nosite rukavice na teške uvjete rada. Noževi su vrlo oštri i možete se lako ozlijediti.

## Sastavljanje

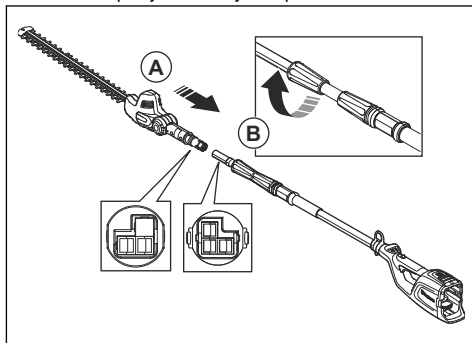
### Uvod



**UPOZORENJE:** Prije sklapanja proizvoda s razumijevanjem pročitajte poglavlje o sigurnosti.

### Sastavljanje osovine

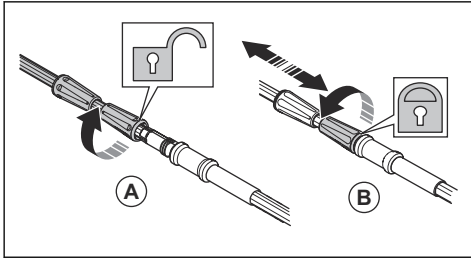
1. Električni priključci moraju biti poravnati.



2. Potpuno spojite krajeve osovine (A).
3. Zategnite navojnu ručku na dio osovine s glavom škara za živicu (B).

## Prilagodba duljine osovine

1. Otpustite navojnu ručku na strani osovine s kućištem baterije (A).



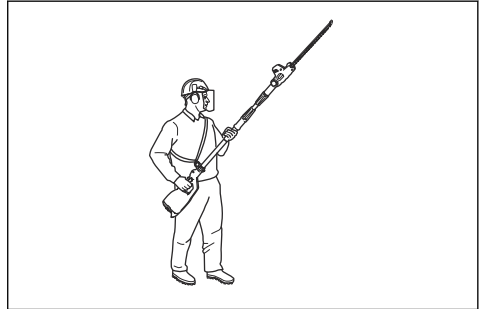
2. Podesite odgovarajuću duljinu osovine.
3. Zategnite navojnu ručku (B).

## Prilagodba naramenice

Tijekom rada s proizvodom obavezno nosite naramenicu. Naramenice pružaju maksimalnu kontrolu

tijekom rada s proizvodom. Naramenice smanjuju opasnost od zamora ruku i leđa.

1. Odjenite naramenicu.
2. Pričvrstite proizvod pomoću noseće kuke za naramenicu.
3. Podešavajte duljinu naramenice dok noseću kuku ugrubo ne poravnate s desnim bokom.



## Rad

### Uvod



**UPOZORENJE:** Prije upotrebe proizvoda pročitajte i usvojite poglavlje o sigurnosti.

### Radnje prije pokretanja proizvoda

1. Pregledajte radno područje. Uklonite sve predmete koji mogu biti izbačeni.
2. Pregledajte rezni pribor. Provjerite jesu li noževi oštri, te jesu li napukli ili oštećeni.
3. Provjerite ispravnost rada proizvoda. Provjerite zategnutost svih matrica i vijaka.
4. Ručka i sigurnosni uređaji ne smiju biti oštećeni ili nepravilno ugrađeni. Proizvod nemojte pogoniti bez dijelova ili ako s promijenjenom početnom specifikacijom. Po potrebi nosite zaštitne rukavice.
5. Prije rada s proizvodom provjerite jesu li poklopci neoštećeni te pravilno postavljeni.

### Priključivanje punjača baterije

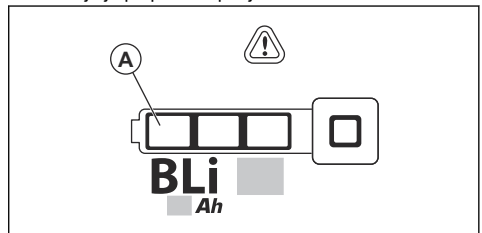
1. Spojite punjač baterije na napon i frekvenciju koji su navedeni na natpisnoj pločici.
2. Priključite utikač na uzemljenu utičnicu. LED indikator na punjaču baterije zatreperi jednom zelenom bojom.

**Napomena:** Baterija se neće puniti ako je temperatura baterije viša od 50 °C / 122 °F. Ako je temperatura viša od 50 °C / 122 °F, punjač baterije rashladit će bateriju prije punjenja baterije.

### Priključivanje baterije na punjač

**Napomena:** Napunite bateriju pri prvoj upotrebi. Nova baterija napunjena je samo 30 %.

1. Provjerite je li baterija suha.
2. Priključite bateriju na punjač baterije.
3. Provjerite uključuje li se zeleni indikator punjenja na punjaču baterije. On označava ispravnu povezanost baterije s punjačem baterije.
4. Kada se na bateriji uključe svi LED indikatori (A), baterija je potpuno napunjena.



5. Za odspajanje punjača baterije od mrežne utičnice izvucite utikač. Nemojte povlačiti kabel.
6. Izvadite bateriju iz punjača baterije.

**Napomena:** Više informacija potražite u priručnicima za bateriju i punjač baterije.

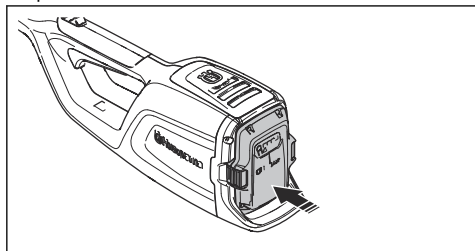


## Priključivanje baterija na proizvod



**UPOZORENJE:** S proizvodom upotrebljavajte samo originalne baterije tvrtke Husqvarna.

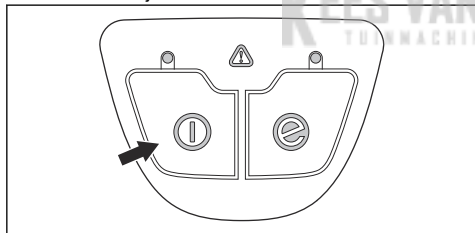
1. Provjerite je li baterija potpuno napunjena.
2. Postavite bateriju u držač baterije na proizvodu. Ako baterija ne ulazi lako u držač, to znači da nije pravilno umetnuta.



3. Pritisnite donji dio baterije i gurnite je do kraja u držač. Baterija se učvršćuje u položaju škljocajem.
4. Provjerite jesu li se zatvarači pravilno zaključali na mjestu.

## Pokretanje proizvoda

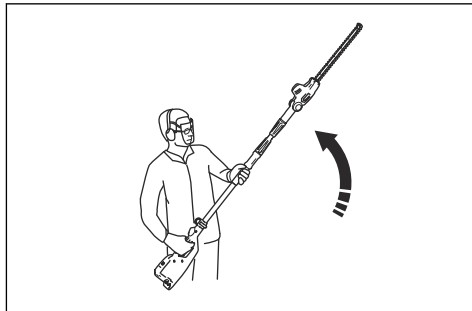
1. Pritisnite i držite gumb za pokretanje/zaustavljanje dok se ne uključi zeleni LED indikator.



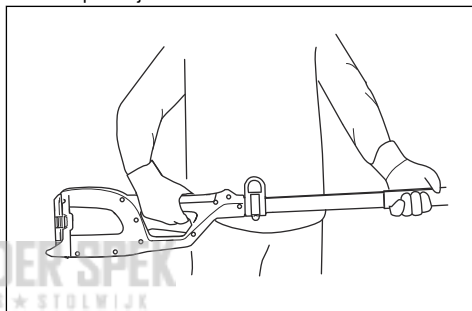
2. Pritisnite blokadu okidača paljenja unatrag i zadržite okidač paljenja.

## Rad s proizvodom

- Pri rezanju bočnih strana započnite u blizini tla i pomičite proizvod uz živicu.



- Proizvod držite blizu tijela kako biste ostvarili stabilan radni položaj.

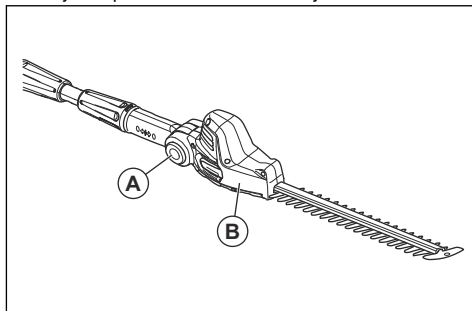


- Vrhom rezne opreme nemojte dodirivati tlo.
- Radite pažljivo i polako dok pravilno ne izrežete sve grane.

## Prilagodba kuta reznog nastavka

Rezni nastavak može se postaviti u sedam različitih položaja.

1. Isključite proizvod i uklonite bateriju.



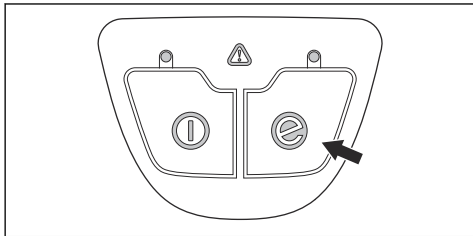
2. Čvrsto držite kućište (B).
3. Pritisnite i zadržite gumbе za blokadu (A) na dvjema stranama kućišta (B).
4. Pomaknite rezni nastavak u pravilan kut.

- Otpustite gumb za blokadu (A) s obje strane.
- Pomaknite kućište (B) prema dolje i gore dok rezni nastavak ne sjedne na mjesto.

## Pokretanje funkcije SavE

Proizvod je opremljen funkcijom SavE za štednju energije. Funkcija SavE osigurava najdulje vrijeme rada baterije.

- Pritisnite tipku SavE. Kada se uključi zeleni LED indikator, znači da je funkcija aktivna.



- Ponovno pritisnite gumb SavE kako biste prekinuli funkciju SavE.

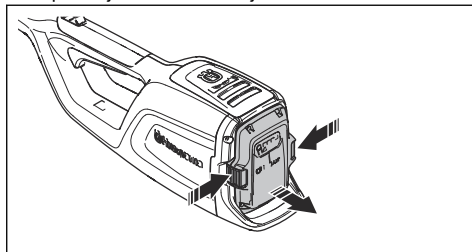
## Funkcija automatskog isključenja

Proizvod ima automatsku funkciju isključenja koja ga isključuje kada se ne upotrebljava. Zeleni LED indikator

za pokretanje/zaustavljanje isključuje se, a proizvod se zaustavlja nakon 60 sekundi.

## Zaustavljanje proizvoda

- Otpustite prekidač za uključivanje.
- Pritisnite i držite gumb START/STOP sve dok se zeleni LED indikator ne isključi.
- Izvadite bateriju iz proizvoda. Pritisnite 2 gumba za otpuštanje i izvucite bateriju.



## Održavanje

### Uvod



**UPOZORENJE:** Prije održavanja proizvoda s razumijevanjem pročitajte odjeljak o mjerama sigurnosti.



**UPOZORENJE:** Prije održavanja proizvoda izvadite bateriju.

### Raspored održavanja

U nastavku je popis koraka održavanja neophodnih za održavanje proizvoda.

Održavanje	Prije upotrebe	Tjedno	Mjesečno
Očistite vanjske dijelove proizvoda.	X		
Provjerite funkcionira li gumb za pokretanje i zaustavljanje ispravno te da nije oštećen.	X		
Iz sigurnosnih razloga provjerite ispravnost okidača paljenja i blokade okidača paljenja.	X		
Provjerite rade li sve komande ispravno i jesu li neoštećene.	X		
Nož rezača i štitnik rezača ne smiju biti napuknuti ili oštećeni. Zamijenite napuknuti ili udareni nož rezača ili štitnik rezača.	X		
Zamijenite nož rezača ako je savijen ili oštećen.	X		
Provjerite jesu li vijci i matice pritegnuti.	X		

Održavanje	Prije upotrebe	Tjedno	Mjesečno
Provjerite je li baterija neoštećena.	X		
Provjerite je li baterija napunjena.	X		
Provjerite je li punjač baterije neoštećen.	X		
Provjerite jesu li vijci kojima su pričvršćeni noževi rezača pravilno zategnuti.		X	
Provjerite spojeve između baterije i proizvoda. Provjerite spoj između baterije i punjača.			X

## Pregled baterije i punjača baterije

1. Provjerite ima li na bateriji oštećenja, primjerice pukotina.
2. Provjerite ima li na punjaču baterije oštećenja, primjerice pukotina.
3. Provjerite je li priključni kabel punjača baterije neoštećen te je li ispucao.

## Čišćenje proizvoda, baterije i punjača baterije

1. Proizvod nakon upotrebe očistite suhom krpom.
2. Bateriju i punjač baterije čistite suhom krpom. Vodilice za bateriju održavajte čistima.
3. Prije umetanja baterije u punjač baterije ili proizvod provjerite jesu li čisti priključci baterije i punjača baterije.

## Pregled noža rezača

1. Prije i nakon primjene proizvoda rezač noža od neželjenog materijala očistite antikorozivnom sredstvom za čišćenje.
2. Pregledajte jesu li rubovi noža rezača oštećeni ili izobličeni.
3. Turpijom uklonite strugotine s noža rezača.

4. Provjerite pomiču li se noževi rezača neometano.

## Čišćenje i podmazivanje noževa

1. Prije i nakon upotrebe proizvoda noževe od neželjenog materijala očistite sredstvom za čišćenje.
2. Podmažite noževe prije duljeg razdoblja skladištenja.

**Napomena:** Više informacija o preporučenim sredstvima za čišćenje i mazivima zatražite od servisnog zastupnika.

## Podmazivanje mjenjača

Primijenite mazivo na kućište mjenjača ako je mjenjač rastavio ovlaštenu servisera.

- Koristite posebno mazivo poduzeća Husqvarna. Za više informacija o preporučenoj masti razgovarajte sa svojim servisnim zastupnikom.
- Upotrijebite samo malu količinu specijalnog maziva visoke kvalitete.



**OPREZ:** Kućište mjenjača nemojte potpuno napuniti mazivom.

## Rješavanje problema

### Tipkovnica

LED zaslon	Moguće pogreške	Moguća rješenja
Trepće LED indikator za pogreške.	Preopterećenje	Rezni pribor ne može se slobodno pomicati. Otpustite priključak za rezanje.
Proizvod se ne pokreće.	Priključci baterije nisu čisti.	Komprimiranim zrakom ili mekom četkom očistite priključke baterije.
Uključuje se crveni LED indikator pogreške.	Nužno je servisirati proizvod	Razgovarajte sa svojim servisnim zastupnikom.

## Baterija

LED zaslon	Moguće pogreške	Moguća radnja
Trepće zeleni LED indikator.	Nizak napon baterije.	Napunite bateriju.
Trepće LED indikator za pogreške.	Odstupanje temperature.	Bateriju upotrebljavajte u rasponu temperatura od -10°C (14°F) i 40°C (104°F).
	Prevelik napon.	Provjerite odgovara li napon mreže naponu navedenom na natpisnoj pločici proizvoda. Izvadite bateriju iz punjača baterije.
Uključen je LED indikator za pogreške.	Prevelika razlika između ćelija (1 V).	Razgovarajte sa svojim servisnim zastupnikom.

## Punjač baterije

Problem	Moguće pogreške	Moguće rješenje
Trepće crveni LED indikator pogreške.	Odstupanje temperature.	Punjač baterije upotrebljavajte u rasponu temperatura od 5 °C (41 °F) i 40 °C (104 °F).
Svijetli crveni LED indikator pogreške.	Prevelika razlika između ćelija (1 V).	Razgovarajte sa svojim servisnim zastupnikom.

K E E S V A N D E R S P E K  
TUINMACHINES \* STOLWIJK

## Prijevoz, spremanje i zbrinjavanje

### Prijevoz i skladištenje

- Isporučene litij-ionske baterije podliježu zahtjevima propisa o opasnim proizvodima.
- Pridržavajte se posebnih zahtjeva o pakiranju i označavanju u komercijalnom transportu, uključujući treće strane i prijevoznike.
- Prije slanja proizvoda obratite se osobi s posebnom obukom za opasni materijal. Pridržavajte se svih mjerodavnih nacionalnih propisa.
- Kada bateriju stavljate u pakiranje, otvorene kontakte prelijepite trakom. Učvrstite bateriju u pakiranju kako biste onemogućili pomicanje.
- Izvadite bateriju prilikom prijevoza ili skladištenja.
- Bateriju i punjač baterije spremite u suh prostor bez vlage i mraza.
- Bateriju nemojte spremiti u prostor u kojem može nastati statički elektricitet. Bateriju nemojte čuvati u metalnoj kutiji.
- Bateriju uskladištite na mjestu s temperaturom između 5 °C / 41 °F i 25 °C / 77 °F te izvan izravnog sunčeva svjetla.

- Punjač baterije uskladištite na mjestu s temperaturom između 5 °C / 41 °F i 45 °C / 113 °F te izvan izravnog sunčeva svjetla.
- Punjač baterije upotrebljavajte samo pri temperaturama okoline između 5 °C / 41 °F i 40 °C / 104 °F.
- Prije dugotrajnog skladištenja bateriju napunite na 30 % do 50 %.
- Punjač baterije uskladištite u zatvorenom i suhom prostoru.
- Tijekom skladištenja bateriju držite podalje od punjača baterije. Djeci i drugim neovlaštenim osobama onemogućite dodirivanje opreme. Opremu spremite u prostor koji možete zaključati.
- Prije dugotrajnog skladištenja proizvoda očistite ga i provedite cjeloviti servis.
- Na proizvod prije transporta i skladištenja postavite prijenosni štitičnik kako biste spriječili ozljede ili oštećenje proizvoda.
- Čvrsto pričvrstite proizvod tijekom transporta.

## Zbrinjavanje baterije, punjača baterije i proizvoda

Oznake na proizvodu ili ambalaži proizvoda znače da se proizvod ne pripada u komunalni otpad. Reciklirajte ga u

reciklažnoj stanici za električnu i elektroničku opremu. Tako sprječavate oštećenje okoliša i ozljeđivanje osoba.

Više informacija o recikliranju proizvoda zatražite od lokalnih vlasti, komunalne službe ili distributera.

## Tehnički podaci

### Tehnički podaci

	<b>120ITK4-H</b>
<b>Motor</b>	
Vrsta motora	PMDC 36 V
<b>Težina</b>	
Težina bez baterije, kg	4,6
Težina s baterijom (osnovna baterija BLi10), kg	5,3
<b>Emisije buke<sup>40</sup></b>	
Izmjerena jačina zvuka dB(A)	91,32
Jamčena razina jakosti zvuka $L_{WA}$ dB (A)	94
<b>Razine buke<sup>41</sup></b>	
Razina zvučnog tlaka na uhu rukovatelja, mjerena u skladu s EN 62841-1 i EN 62841-4-2, dB(A)	81,3
<b>Razine vibracije<sup>42</sup></b>	
Razine vibracije ( $a_h$ ) prednje/stražnje ručke, $m/s^2$ . Pogledajte EN 62841-1 i EN 62841-4-2.	1,223/0,816
<b>Rezna oprema</b>	
Vrsta	Dvostrana
Duljina noža, mm	500
Brzina rezova/min noža u načinu rada SavE	2250
Brzina rezova/min noža izvan načina rada SavE	2800

<sup>40</sup> \* Emisije buke u okolišu izmjerene kao jakost zvuka ( $L_{WA}$ ) u skladu s Direktivom EZ 2000/14/EZ. Razlika između zajamčene i izmjerene razine buke jest da zajamčena razina uključuje i raspršenje rezultata mjerenja i varijacije između različitih uređaja istog modela prema smjernici 2000/14/EC.

<sup>41</sup> Tipično statističko raspršenje za ekvivalentnu razinu tlaka zvuka standardno je odstupanje od 3 dB(A).

<sup>42</sup> Podaci o razini vibracije pokazuju tipičnu statističku disperziju (standardnu devijaciju) od  $1,5 m/s^2$ .

Navedena ukupna vrijednost vibracija izmjerena je u skladu sa standardnom metodom ispitivanja i može se koristiti za usporedbu jednog alata s drugim.

Navedena ukupna vrijednost vibracija može se koristiti i za početnu procjenu izloženosti.

## Odobreni punjači baterije

Punjač baterije	QC80
Ulazni napon, V	100 – 240
Frekvencija, Hz	50 – 60
Snaga, W	100
Izlazni napon, V DC/A	36/2

## Odobrene baterije za proizvod

Baterija	BLi10
Vrsta	Litij-ion
Kapacitet baterije, Ah	Pogledajte nazivnu naljepnicu baterije
Nazivni napon, V	36
Težina, kg	0,7

**KEES VAN DER SPEK**  
TUINMACHINES ★ STOLWIJK

---

# Izjava o sukladnosti EC

---

## EZ izjava o sukladnosti

**Husqvarna AB**, SE-561 82 Huskvarna, Švedska, tel: +46-36-146500, izjavljuje da su štapne škare za živicu **Husqvarna 120ITK4-H** sa serijskim brojevima iz 2021 i novijima (godina je jasno navedena na nazivnoj pločici, uz serijski broj), u suglasnosti sa zahtjevima DIREKTIVE VIJEĆA:

- od 17. svibnja 2006., „o strojevima“ **2006/42/EZ**.
- od 26. veljače 2014. „o elektromagnetskoj kompatibilnosti“ **2014/30/EU**.
- od 8. lipnja 2011. o „ograničenju uporabe određenih opasnih tvari“ **2011/65/EU**.

Primijenjene su sljedeće norme:

**EN 62841-1:2015, EN 62841-4-2:2019, EN 55014-1:2017+A11, EN 55014-2:2015, CISPR12:2007+A1 2009, EN IEC 63000:2018.**

organizacija TÜV Rheinland LGA Products GmbH, Tillystrasse 2, D-90431 Nuernberg, Germany provela je dobrovoljno ispitivanje za Husqvarna AB. Certifikat ima broj: **AM 50491653 0001**.

Huskvarna 2020-12-30



**KES VAN DER SPEK**  
MACHINES \* STOLWIJK

Pär Martinsson, razvojni menadžer (ovlašteni predstavnik tvrtke Husqvarna AB i osoba odgovorna za tehničku dokumentaciju).

# TARTALOMJEGYZÉK

Bevezető.....	248	Hibaelhárítás.....	261
Biztonság.....	250	Szállítás, tárolás és ártalmatlanítás.....	262
Összeszerelés.....	257	Műszaki adatok.....	263
Üzemeltetés.....	258	EK megfelelőségi nyilatkozat.....	265
Karbantartás.....	260		

## Bevezető

### Termékleírás

A Husqvarna 120iTK4-H egy teleszkópos, akkumulátorral ellátott magassági sövénynyíró.

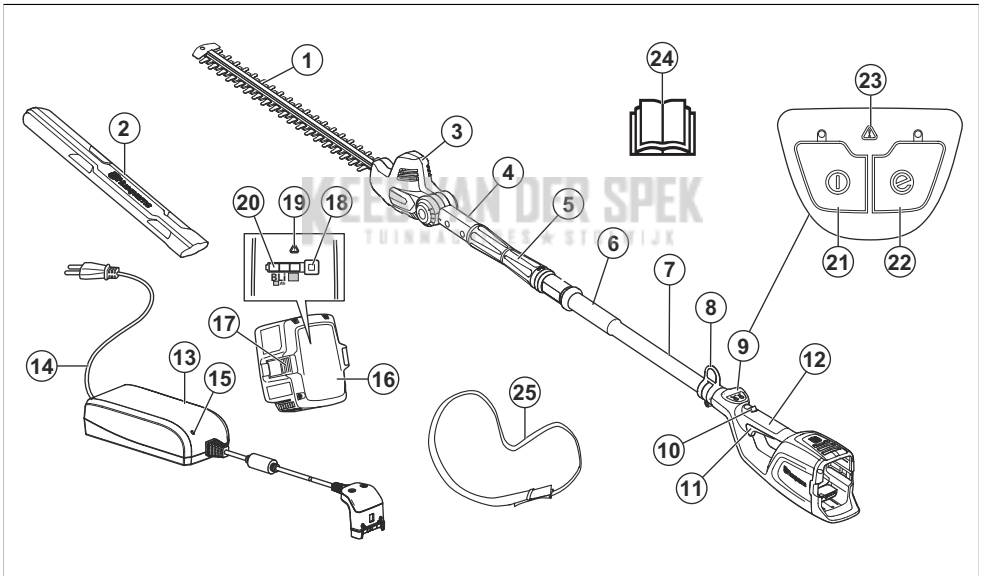
Folyamatosan dolgozunk azon, hogy javítani tudjuk az ügyfeleink használat közbeni biztonságát és

hatékonyságát. További tájékoztatásért forduljon az illetékes szakszervizhez.

### Rendeltetésszerű használat

A termék ágak és gallyak vágáshoz használható. Ne használja a terméket egyéb feladatokra.

### A termék áttekintése



- |                                  |  |
|----------------------------------|--|
| 1. Kés                           | 12. Hátsó fogantyú                       |
| 2. Szállítási biztosítószerkezet | 13. Akkumulátortöltő                     |
| 3. Ház                           | 14. Szál                                 |
| 4. Pozícióosztó fogantyú         | 15. Bekapcsolás-/figyelmeztetésjelző LED |
| 5. Teleszkópos funkció           | 16. Akkumulátor                          |
| 6. Elülső fogantyú               | 17. Akkumulátorkioldó gombok             |
| 7. Nyél                          | 18. Akkumulátorjelző gomb                |
| 8. Hevedertartó horog            | 19. Figyelmeztető LED                    |
| 9. Billentyűzet                  | 20. Akkumulátorjelző LED                 |
| 10. Kapcsológomb retesze         | 21. Indító-/leállítógomb                 |
| 11. Kapcsológomb                 | 22. SavE gomb                            |



- 23. Figyelmeztető LED
- 24. Kezelői kézikönyv
- 25. Heveder

## A terméken található jelzések



**FIGYELMEZTETÉS!** A termék veszélyes. A kezelőre és a közelben állókra is vonatkozó sérülés és halál kockázata áll fenn, amennyiben a terméket nem megfelelően és körültekintően használják. A kezelő és a közelben állók biztonságának érdekében olvassa el és tartsa be a használati utasítás minden biztonsági utasítását. Olvassa el figyelmesen a használati utasítást, és győződjön meg róla, hogy megértette azt, mielőtt a terméket használatba veszi.



Használjon védősisakot minden olyan helyen, ahol tárgyak hullhatnak le. Használjon jóváhagyott fülvédőt. Használjon jóváhagyott védőszemüveget.



Használjon jóváhagyott védőkesztyűt.



Ez a termék megfelel a vonatkozó EK-irányelveknek.



Feszültségosztály, V



Egyenáram.



Óvja a terméket az esőtől.



Tartsa távol a kezét a késtől.



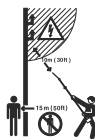
Teleszkópos funkció.



Osztott funkció.



Forgassa balra a gomb meglazításához, és jobbra a megszorításához.



A termék nem szigetelt. Ha a termék nagyfeszültségű vezetékhez ér vagy annak a közelébe kerül, súlyos, akár halálos sérüléshez is vezethet. Az áram átívelhet egyik pontról a másikra. Minél nagyobb a feszültség, annál messzebb ívelhet az áram. Az áram ágakon és más tárgyakon is áthaladhat, különösen, ha azok nedvesek. Mindig tartson legalább 10 méteres távolságot a termék és a nagyfeszültségű vezetékek és/vagy a vezetékekhez érő tárgyak között. Ha ezen a biztonsági távolságon belül kell végeznie a munkát, mindig vegye fel a kapcsolatot az illetékes áramszolgáltatóval, hogy a munka megkezdése előtt meggyőződhessen az áram kikapcsolásáról. Használat közben tartson legalább 15 méteres távolságot más személyektől és az állatoktól.

ééééhhxxxx

A típusablán megtalálható a sorozatszám. **éééé** a gyártási év, **hh** pedig a gyártási hét.

**Megjegyzés:** A terméken szereplő többi jel/címke egyes piacok specifikus vizsgáztatási követelményeire vonatkozik.

## Szimbólumok az akkumulátoron, illetve az akkumulátortöltőn



A termék újrahasznosítását elektromos és elektronikus berendezések újrahasznosítására szolgáló ponton kell elvégezni. (Kizárólag Európára vonatkozik)



Meghibásodásbiztos transzformátor.



Az akkumulátortöltőt kizárólag beltérben szabad használni és tárolni.



Kettős szigetelés.

## Termékszavatosság

A termékszavatosságra vonatkozó jogszabályok értelmében nem vagyunk felelősek a termékeink által okozott károkért az alábbi esetekben:

- a termék javítását helytelenül végezték;

- a termék javítása nem a gyártótól származó vagy általa jóváhagyott alkatrészekkel történt;
- a terméket nem a gyártótól származó vagy általa jóváhagyott kiegészítővel szerelték fel;
- a termék javítását nem hivatalos szakszerviz vagy jóváhagyott egyéb szerviz végezte.

## Biztonság

### Biztonsági meghatározások

A figyelmeztetések, óvintézkedések és megjegyzések a használati utasítás kiemelten fontos részeire hívják fel a figyelmet.



**FIGYELMEZTETÉS:** Akkor használatos, ha a kézikönyv utasításainak be nem tartása esetén fennáll a kezelő vagy a közelben tartózkodók sérülésének vagy halálának veszélye.



**VIGYÁZAT:** Akkor használatos, ha a kézikönyv utasításainak be nem tartása esetén fennáll a vagyoni kár, illetve a termék vagy a környező terület károsodásának veszélye.

**Megjegyzés:** További információt biztosít az adott helyzetben szükséges tennivalókról.

### A motoros szerszámmal kapcsolatos általános biztonsági figyelmeztetések



**FIGYELMEZTETÉS:** Olvassa el az összes biztonsági figyelmeztetést és az összes utasítást. A figyelmeztetések és az utasítások figyelmen kívül hagyása áramütést, tüzet és/vagy komoly sérülést okozhat.

**Megjegyzés:** Tegyen el minden figyelmeztetést és utasítást, mert a jövőben szüksége lehet rájuk. A „motoros szerszám” kifejezés a figyelmeztetésekben a hálózatról működő (vezetékes) motoros szerszámra vagy az akkumulátorról működő (vezeték nélküli) motoros szerszámra vonatkozik.

### A munkaterület biztonsága

- **Tartsa a munkaterület tisztán és világítsa meg jól.** A zsúfolt vagy sötét területeken könnyen bekövetkeznek balesetek.
- **Ne működtesse a motoros szerszámot robbanásveszélyes környezetben, pl. gyúlékony folyadékok, gázok vagy por jelenlétében.** A motoros

szerszám szikrát vethet, amely begyűjthetja a port vagy a kipárolgást.

- **Tartsa távol a gyermekeket és a szemlélődőket a motoros szerszám működtetése közben.** A figyelem elvonása miatt elvesztheti az uralmát a szerszám felett.

### Elektromos biztonság

- **A motoros szerszám dugaszának illeszkednie kell az aljzatba. A dugón soha semmilyen átalakítást ne végezzen. Ne használjon adapter dugaszt a földelt motoros szerszámokhoz.** Kisebb az áramütés veszélye, ha eredeti dugókat és hozzájuk illő aljzatokat használ.
- **Kerülje el a földelt felületekkel, pl. csövekkel, radiátorokkal, tűzhelyekkel és hűtőszekrényekkel való érintkezést.** Megnövekszik az áramütés veszélye, ha a teste le van földelve.
- **Ne tegye ki a motoros szerszámot esőnek, és ne tartsa azt nedves környezetben.** A gépbe jutó víz növeli az áramütés kockázatát.
- **Ne bányon durván a kábellel. Soha ne használja a kábelt a motoros szerszám hordozására, húzására vagy a dugasz kihúzására. Tartsa távol a kábelt hőtől, olajtól, éles szélektől vagy mozgó alkatrészektől.** A sérült vagy összegabalyodott kábelek megnövelik az áramütés kockázatát.
- **Ha kültéren használja a motoros szerszámot, használjon kültéri használatra megfelelő hosszabbítókábel.** A kültéri alkalmazáshoz megfelelő hosszabbító használat csökkenti az áramütés veszélyét.
- **Ha a szerszámgépet feltétlenül nedves helyen kell használni, alkalmazzon életvédelmi relét (RCD) védett tápellátást.** Az RCD használatával csökkenthető az áramütés kockázata.

### Személyes biztonság

- **Legyen elővigyázatos, figyeljen arra, amit csinál, és használja a józan eszét a motoros szerszám működtetése során. Ne használja a motoros szerszámot, ha fáradt, vagy ha gyógyszer, gyógykezelés vagy alkohol hatása alatt áll.** A szerszám működése közben egy pillanatnyi figyelemkiesés súlyos személyi sérülést okozhat.
- **Használjon személyi védőfelszerelést. Mindig használjon szemvédőt.** A megfelelő környezetben a védőfelszerelések, például a pormaszk, a csúszásgátló védőcipő, a kemény fejtvédő és a

fülvédő használata csökkenti a személyi sérülések kockázatát.

- **Akadályozza meg a véletlen indítást. Ellenőrizze, hogy a főkapcsoló kikapcsolt állásban van-e, mielőtt csatlakoztatja az áramforrást és/vagy az akkumulátort, illetve felveszi vagy szállítja a szerszámot.** Az ujjá kapcsolón tartásával vagy a bekapcsolt motoros szerszám áram alá helyezésével balesetet okozhat.
- **Távolítson el minden beállító kulcsot vagy csavarkulcsot, mielőtt bekapcsolná a motoros szerszámot.** A motoros szerszám forgó alkatrészéhez csatlakozó kulcs vagy más szerszám személyi sérülést okozhat.
- **Ne nyúljon át a gépen. Mindig szilárdan álljon a talajon, és őrizze meg az egyensúlyát.** Így jobban uralhatja a motoros szerszámot váratlan helyzetekben.
- **Öltözködjön megfelelően. Ne viseljen ékszereket, rövidnadragót, szandált, illetve ne legyen meztítáb. Tartsa távol a haját és ruházatát a mozgó alkatrészekről.** A mozgó alkatrészek bekapathatják a laza ruhát, az ékszert vagy a hosszú haját.
- **Ha a készülékhez csatlakoztatható porgyűjtő berendezés, akkor mindig csatlakoztassa és használja azt.** A porgyűjtő alkalmazása csökkenti a porral kapcsolatos veszélyeket.
- **A szerszámok rendszeres használatából adódó tapasztalata ne vezessen oda, hogy a terméket könnyelműen, a szerszámbiztonsági alapelvek figyelmen kívül hagyásával működteti.** Egy gondatlanul kivitelezett művelet akár egy századmásodperc alatt is súlyos sérüléshez vezethet.
- A szerszám gép használata során kibocsátott rezgések értéke a használat módjától függően elérhet a deklarált teljes értéktől. A keglőknek meg kell határozniuk a biztonsági intézkedéseket önmaguk védelme érdekében az adott használati körülmények közötti becsült kitettség alapján (figyelembe véve az üzemi ciklus minden részét, tehát azt is, amikor a szerszám ki van kapcsolva, illetve amikor üresjáratban működik).

## **A motoros szerszám használata és karbantartása**

- **Ne erőltesse a motoros szerszámot. Használjon a feladathoz megfelelő motoros szerszámot.** A megfelelő szerszám jobb és biztonságosabb munkát fog végezni azon a sebességen, amire tervezték.
- **Ne használja a motoros szerszámot, ha a kapcsoló nem kapcsolja ki vagy be.** A kapcsolóval nem vezérelhető szerszám gépek veszélyesek és javítandók.
- **Húzza ki a dugaszt az áramforrásból és/vagy vegye ki az akkumulátort, ha bármilyen beállítást végez, kicseréli egy tartozékot vagy tárolja a motoros szerszámot.** Az ilyen megelőző biztonsági

intézkedések csökkentik a motoros szerszám véletlen elindításának veszélyét.

- **A nem használt motoros szerszámot tartsa távol a gyermekektől, és ne engedje, hogy olyan személyek működtessék, akik nem ismerik a motoros szerszámot és ezeket az utasításokat.** A motoros szerszámok képzetlen felhasználók kezében veszélyt jelentenek.
- **Tartsa karban a motoros szerszámokat. Ellenőrizze a mozgó alkatrészek hibás elhelyezkedését és rögzítését, az alkatrészek sérülését, és minden olyan állapotot, amely hatással lehet a szerszám működésére. Ha sérült, javíttassa meg a motoros szerszámot használat előtt.** A rosszul karbantartott motoros szerszámok rengeteg balesetet okoznak.
- **Tartsa élesen és tisztán a vágószerszámokat.** A megfelelően karbantartott, éles vágószerszámok kevésbé hajlamosak a beszorulásra, és könnyebb kezelni őket.
- **A szerszámot, a tartozékokat és az alkatrészeket stb. ezen utasításokkal összhangban használja, vegye figyelembe a munkakörülményeket és az elvégzendő feladatot.** Ha a motoros szerszám másféle tevékenységre használják, mint amire tervezték, veszélyes helyzet állhat elő.
- **A fogantyúkat és fogófelületeket tartsa szárazon, tisztán, olaj- és zsímentesen.** A csúszós fogantyúk és fogófelületek nem teszi lehetővé a szerszám biztonságos kezelését és irányítását váratlan helyzetekben.

## **Az akkumulátor használata és karbantartása**

- **Csak a gyártó által meghatározott töltővel töltsen.** Az a töltő, amelyik az egyik típusú akkumulátorhoz használható, tűzveszélyes lehet, ha másik típusú akkumulátorral használják.
- **A motoros szerszámokat csak a típusuknak megfelelő akkumulátorokkal használja.** Bármilyen más típusú akkumulátor használata sérülés- és tűzveszélyes.
- **Amikor az akkumulátort nem használja, tartsa távol más fémtárgyaktól, például gémkapcsoktól, érméktől, kulcsoktól, tűktől, csavaroktól vagy más kisebb fémtárgyaktól, amelyek összekapcsolhatják a sarukat.** Az akkumulátorsaruk rövidre zárása égést vagy tüzet okozhat.
- **Nem megfelelő körülmények hatására az akkumulátorból folyadék szivároghat ki. Kerülje az érintkezést. Ha ez véletlenül mégis megtörténik, öblítse le vízzel. Ha a folyadék szembe kerül, forduljon orvoshoz.** Az akkumulátorból távozó folyadék irritációt vagy égési sérülést okozhat.
- **Ne használjon sérült vagy módosított akkumulátort vagy szerszámot.** A sérült vagy módosított akkumulátorok kiszámíthatatlanul viselkedhetnek, ami tüzet, robbanást vagy sérülést okozhat.
- **Az akkumulátort vagy szerszámot ne tegye ki tűznek vagy túl magas hőmérsékletnek.** A tűznek való kitettség, illetve a 130 °C/265 °F feletti hőmérséklet robbanást okozhat.

- Kövesse a töltésre vonatkozó utasításokat, és ne töltse az akkumulátort vagy a szerszámot az utasításokban megadott hőmérséklet-tartományon kívül. A nem megfelelő, illetve a megadott tartományon kívül eső hőmérsékleten való töltés károsíthatja az akkumulátort és növeli a tűzveszélyt.

- A hosszabbított sövénynyírót mindig két kézzel használja. Az irányítás elvesztését megelőzendő, a hosszabbított sövénynyírókat mindig két kézzel tartsa.
- Mindig viseljen védősisakot a hosszabbított sövénynyíró fej feletti használatakor. A leeső hulladék súlyos személyi sérülést okozhat.

## Szervizelés

- A motoros szerszám szervizelését képzett szerelővel végeztesse el, aki kizárólag eredeti cserealkatrészeket használ. Így fenntartható a motoros szerszám biztonsága.
- Soha ne szervizelje a sérült akkumulátort. Az akkumulátor szervizelését csak a gyártó vagy egy hivatalos szolgáltató végezheti el.

## A sövénynyíróra vonatkozó biztonsági utasítások

- Minden testrészét tartsa távol a késtől. A levágott anyagot ne távolítsa el, illetve a vágandó anyagot ne tartsa a készülékhez, amikor a kések mozognak. A motor leállítása után a kések továbbra is mozognak. A sövénynyíró működése közben egy pillanatyig figyelemkiesés is súlyos személyi sérülést okozhat.
- A sövénynyírókat a fogantyúnál fogva, a kések mozdulatlan állapotában szállítsa, és ügyeljen arra, hogy ne működtesse a főkapcsolót. A sövénynyíró megfelelő hordozása csökkenti a nem szándékos indítás és a kések által ebből fakadóan okozott személyi sérülések kockázatát.
- A sövénynyíró szállítások vagy tárolások mindig rögzítse az élvédőt. A sövénynyíró megfelelő kezelése esetén csökken a kések miatt bekövetkező esetleges személyi sérülések kockázata.
- A beragadt anyagok eltávolításakor és az egység szervizelésekor győződjön meg arról, hogy minden főkapcsoló ki van-e kapcsolva, és a tápkabel le van-e választva. A sövénynyíró váratlan, a beakadt anyagok eltávolítása vagy a szervizelés során történő bekapcsolódása súlyos személyi sérüléshez vezethet.
- A sövénynyírókat kizárólag a szigetelt fogófelületnél tartsa, mert a kés hozzáérhet a rejtett vezetékhez vagy a saját zsinórjához. Ha a kések feszültség alatt álló vezetékkel érintkeznek, a sövénynyíró bizonyos fémrészei is feszültség alá kerülhetnek, és a kezelőt ezáltal áramütés érheti.
- A táp- és egyéb kábeleket tartsa távol a vágási területtől. Előfordulhat, hogy a sövénynyíró és bokroktól nem látja a táp- és egyéb kábeleket, így véletlenül elvághatja azokat a késsel.
- Rossz időjárási körülmények esetén – főleg ha fennáll a villámlás kockázata – ne használja a sövénynyírókat. Ez csökkenti a villámcsapás veszélyét.
- Az áramütés veszélyének csökkentése érdekében soha ne használja a hosszabbított sövénynyíró magasfeszültségű távvezeték közelében. A magasfeszültségű távvezeték közelében történő használat, vagy azokkal való érintkezés súlyos sérüléseket, vagy áramütés általi halált is okozhat.

## Általános biztonsági utasítások



**FIGYELMEZTETÉS:** A termék használata előtt olvassa el az alábbi figyelmeztetéseket.

- Vegye ki az akkumulátort annak biztosítására, hogy a termék ne indulhasson be véletlenül.
- Ez a termék veszélyes szerszám, ha nem körültekintően járnak el a használata során, vagy nem megfelelőképpen használják. A gép a kezelő és mások súlyos sérülését és halálát okozhatja.
- Ne használja a terméket, ha megváltozott az eredeti specifikációja. Ne cseréljen a terméken alkatrészt a gyártó jóváhagyása nélkül. Csak a gyártó által jóváhagyott alkatrészeket használjon. A nem megfelelő karbantartás súlyos, akár végzetes sérüléssel is járhat.
- Használat előtt ellenőrizze a terméket. Lásd: *Biztonsági eszközök a terméken 255. oldalon és Karbantartás 260. oldalon*. Ne használjon hibás terméket. Végezze el a jelen használati utasításban előírt ellenőrzési, karbantartási és szervizmunkákat.
- Biztosítsa, hogy a gyermekek ne játsszanak a termékkel. Soha ne engedje, hogy gyermek vagy a termék használatában nem jártas személy használja vagy szervizelje a terméket, illetve az akkumulátort. A helyi törvények szabályozhatják a felhasználó korát.
- Tartsa a terméket zárható helyen, ahol gyermek vagy jogosulatlan személy nem férhet hozzá.
- A termék gyermekektől elzárva tartandó.
- A termék eredeti kivitelezésén a gyártó cég engedélye nélkül semmilyen módosítást sem szabad végezni. Mindig eredeti tartozékokat használjon. A nem engedélyezett módosítások és/vagy pótalkatrészek komoly sérülésekhez, illetve akár a kezelő vagy más személyek halálához is vezethetnek.

**Megjegyzés:** A használatot országos vagy helyi törvények szabályozhatják. Tartsa be a vonatkozó előírásokat.

## Biztonsági utasítások az üzemeltetéshez

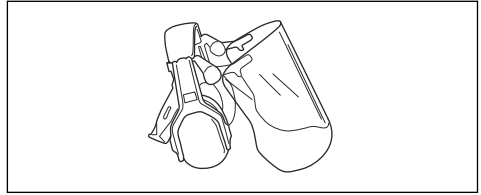


**FIGYELMEZTETÉS:** A termék használata előtt olvassa el az alábbi figyelmeztetéseket.

- Ha munka közben elbizonytalanodik a munka folytatását illetően, kérje szakember tanácsát. Forduljon kereskedőhöz vagy márkaszervizhez. Ne használja a gépet olyan feladatok elvégzésére, amelyekhez úgy véli, nem rendelkezik elegendő szakértelemmel.
- Soha ne használja a terméket, ha fáradt, ha alkoholt fogyasztott, vagy ha látását, éberségét, ítélőképességét vagy mozgáskoordinációját befolyásoló gyógyszert vett be.
- A rossz időben végzett munka fárasztó, és gyakran kockázatokkal jár. Fokozott veszély miatt a gép használata rossz időjárási körülmények között, például sűrű ködben, intenzív esőzéskor, erős szélben, rendkívüli hidegben és villámláskor nem ajánlott.
- A hibás vágófelszerelés használata növelheti a balesetveszélyt.
- Ne engedje, hogy gyermekek használják a terméket, vagy a termék közelében tartózkodjanak. Mivel a termék könnyen indul, szigorú felügyelet nélkül a gyermekek könnyedén beindíthatják. Ez súlyos személyi sérüléshez vezethet. Válassza le az akkumulátort, ha nem tud folyamatosan felügyelni a termékre.
- Ügyeljen arra, hogy a munka során se ember, se állat ne jöjjön 15 m-nél közelebb. Ha ugyanazon a munkaterületen többen is dolgoznak, a biztonsági távolságnak legalább 15 méternek kell lennie. Ellenkező esetben komoly személyi sérülések veszélye áll fenn. Ha valaki megközelíti Önt, azonnal állítsa le a terméket. Mielőtt megfordulna a termékkel, mindig ellenőrizze, hogy nem tartózkodik-e valaki a biztonsági zónán belül.
- Ügyeljen arra, sem emberek, sem állatok vagy egyéb tényezők ne befolyásolhassák az Ön uralmát a termék felett, illetve hogy a fent említettek ne kerülhessenek érintkezésbe a vágófelszereléssel vagy a szétszóródó tárgyakkal. Ne használja azonban a terméket olyan körülmények között, amelyeknél baleset esetén nem lenne lehetősége segítséget hívni.
- Mindig ellenőrizze a munkaterületet. Távolítsa el minden mozdítható tárgyat, pl. köveket, üvegcserepeket, szögeket, fémdrótokat, zsinegeket, stb., amelyeket a vágófelszerelés felkaphat, vagy amelyek esetleg a felszerelésre csavarodhatnak.
- Bizonyosodjon meg arról, hogy biztonságosan tud járni és állni. Nézzon körül és ellenőrizze lehetséges akadályok (például gyökerek, kövek, gödrök, árkok stb.) jelenlétét arra az esetre, ha hirtelen el kellene mozdulnia. Legyen nagyon óvatos, amikor lejtős talajon dolgozik.
- Minden esetben tartsa meg egyensúlyát és álljon szilárdan. Ne nyújtózkodjon a termékkel.
- Kapcsolja ki a terméket, mielőtt másik helyre megy vele. Szerelje fel a szállítási biztosítószerkezetet, ha nem használja a terméket.
- Kizárólag abban az esetben tegye le a terméket, ha kikapcsolta azt. Ne hagyja felügyelet nélkül a bekapcsolt terméket.
- Vegye ki az akkumulátort, mielőtt a terméket átadná egy másik személynek.
- Ügyeljen arra, hogy a termék működése közben a vágófelszereléshez ne érjen ruha vagy bármilyen testrésze.
- Ha működés közben valami beleakad a vágófelszerelésbe, állítsa le és kapcsolja ki a terméket. Győződjön meg arról, hogy a vágófelszerelés teljesen leállt-e. A termék és/vagy a vágószerkezet tisztítása, ellenőrzése vagy javítása előtt vegye ki az akkumulátort.
- Se a kezével, se a lábával ne érjen a vágófelszereléshez, amíg az teljesen le nem áll a termék kikapcsolását követően.
- Ügyeljen az ágakon lévő gallyakra, amelyek vágás közben elrepülhetnek. Ne vágjon a talajhoz túl közel, mert az ott található kövek és egyéb tárgyak felpattanhatnak.
- Vigyázzon a felcsapódó tárgyaktól. Mindig elismert szemvédőt használjon. Soha ne hajtson a vágófelszerelés védőegysége fölé. Kő, szemét stb. kerülhet a szemébe, amely vaktságot, illetve súlyos sérüléseket okozhat.
- Fülvédő viselése esetén mindig figyeljen a figyelmeztető jelzésekre és hangokra. A termék leállítását után azonnal vegye le a fülvédőket.
- Csak akkor dolgozzon letrán, széken vagy más emelvényen, ha azt teljes mértékben rögzítette.
- A gép működés közben elektromágneses mezőt hoz létre. Ez bizonyos körülmények esetén hatással lehet az aktív vagy passzív orvosi implantátumokra. A súlyos vagy halálos sérülés kockázatának csökkentése érdekében azt javasoljuk, hogy az orvosi implantátumot használó személyek a gép alkalmazása előtt kérjék ki orvosuk vagy az orvosi implantátum gyártójának tanácsát.
- Mindig két kézzel tartsa a terméket. Tartsa a terméket teste jobb oldalán.
- Mindig állítsa le a terméket, vegye ki az akkumulátort, és ellenőrizze, hogy a vágószerkezet álló helyzetben van-e, mielőtt eltávolítaná a késtengelyre tekeredett vagy a védőburkolat és a vágófelszerelés közé szorult anyagokat.
- A termék működése közben létrejövő elektromágneses mező hatással lehet az aktív vagy passzív orvosi implantátumokra. Javasoljuk, hogy az orvosi implantátumot használó személyek a termék alkalmazása előtt kérjék ki orvosuk vagy az orvosi implantátum gyártójának tanácsát.
- A könnyű működtetés érdekében a terméket hevederrel tartsa.
- Hosszú távon a tartós zajártalom maradandó halláskárosodást okozhat. A Husqvarna azt javasolja, hogy a kezelők használjanak engedélyezett fülvédőt.

- Soha ne használjon olyan terméket, amelynek eredeti konstrukcióján bármilyen módon is változtattak.
- Soha ne használjon olyan terméket, amely hibás. Végezze el az ebben a használati utasításban előírt ellenőrzési, karbantartási és szervizmunkálatokat. Bizonyos karbantartási és szervizmunkákat szakembernek kell végrehajtania. Lásd a Karbantartás című fejezetben leírtakat.
- Használat előtt végezzen általános ellenőrzést a terméken. Lásd a karbantartási ütemezést.
- Soha ne engedje meg senkinek a gép használatát, amíg nem győződött meg arról, hogy az illető elolvasta és megértette a kezelői kézikönyv tartalmát.
- Ellenőrizze, nincsenek-e a munkaterületen idegen objektumok, például elektromos vezetékek, állatok stb., vagy egyéb olyan objektumok, például fémtárgyak, amelyek kárt tehetnek a vágószerszerekben.
- A hibás kés használata növeli a balesetveszélyt.

rendszeresen használó kezelőknek rendszeresen ellenőriztetniük kell a hallásukat.



**FIGYELMEZTETÉS:** Fülvédő viselése közben a kezelő kevésbé hallja a hangokat és a figyelmeztető jeleket.

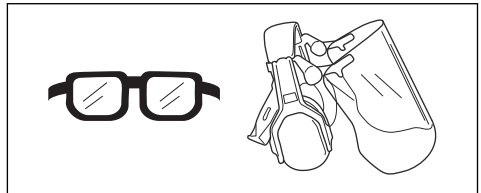
- Használjon jóváhagyott védőszemüveget. Ha arcvédőt használ, jóváhagyott védőszemüveget is kell viselnie. Jóváhagyott védőszemüvegek azok, amelyek megfelelnek az ANSI Z87.1 (USA) illetve EN 166 (EU-országok) szabványoknak.

## Személyi védőfelszerelés

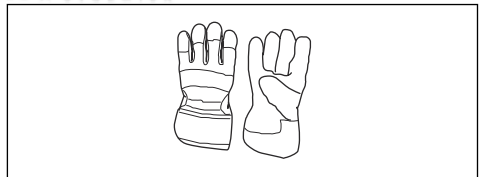


**FIGYELMEZTETÉS:** A termék használata előtt olvassa el az alábbi figyelmeztetéseket.

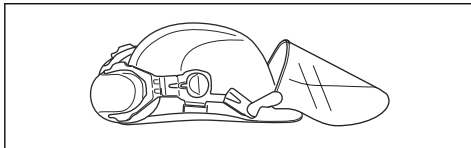
- A termék használata során viseljen jóváhagyott személyi védőfelszerelést. A személyi védőfelszerelés nem küszöböli ki teljes mértékben a sérülés kockázatát, de csökkenti a sérülés mértékét, ha bekövetkezik a baleset. A megfelelő felszerelés kiválasztásában kérje a kereskedő segítségét.
- Használjon védősisakot azokon a helyeken, ahol fennáll a veszélye annak, hogy tárgyak esnek a földre.



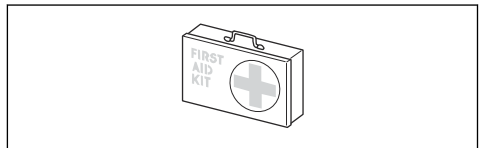
- Ha szükséges, viseljen kesztyűt – például a vágószerszerek felhelyezésekor, ellenőrzésekor vagy tisztításakor.



- Viseljen sűrű szövésű anyagból készült ruházatot. Vastag, hosszú nadrágot és hosszú ujjú felsőrészt viseljen. Ne viseljen bő ruházatot, mert az beakadhat a gallyakba és a bokrok ágaiba. Ne viseljen ékszereket, rövidnadrágot, szandált, illetve ne legyen mezítláb. Igazítsa haját vállmagasság fölé.
- Tartson elsősegélykészletet a közelben.



- Hosszú távon a tartós zajártalom halláskárosodást okozhat. Az akkumulátoros termékek általánosságban vége viszonylag csendesek, azonban a zajszint és a hosszú távú használat kombinációja károsodást okozhat. A Husqvarna azt javasolja, hogy a kezelő viseljen fülvédőt, ha a termékeket egy nap hosszabb ideig, szünet nélkül használja. A terméket folyamatosan és



## Biztonsági eszközök a terméken



**FIGYELMEZTETÉS:** A termék használata előtt olvassa el az alábbi figyelmeztetéseket.

Ez a fejezet a termék biztonsági funkcióit és rendeltetését, valamint a megfelelő üzemelést biztosító ellenőrzések és karbantartási műveletek elvégzésének módját ismerteti. A termék részegységeinek helyével kapcsolatban lásd a(z) *A termék áttekintése 248. oldalon* című fejezetben szereplő utasításokat.

A termék élettartama lecsökkenhet, a balesetveszély pedig megnövekedhet, ha a termék karbantartását nem megfelelően hajtják végre, illetve ha a szervizt és/vagy a javításokat nem szakszerűen végzik. Ha további információra van szüksége, vegye fel a kapcsolatot a legközelebbi szervizszolgáltatóval.



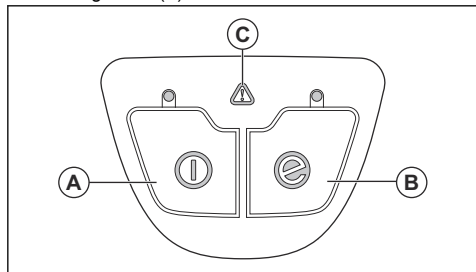
**FIGYELMEZTETÉS:** Soha ne használja a terméket hibás biztonsági felszerelésekkel. A termék biztonsági felszerelésének ellenőrzését és a karbantartási munkálatokat a jelen fejezetben leírtak szerint kell elvégezni. Ha az Ön terméke nem felel meg az alábbi vizsgálatok valamelyikénél, forduljon szervizműhelyéhez.



**VIGYÁZAT:** A gép szervizeléséhez és javításához speciális szakmai kiképzésre van szükség. Ez különösen érvényes a gép biztonsági felszerelésére. Ha az Ön gépe nem felel meg az alábbi vizsgálatok valamelyikénél, akkor forduljon szervizműhelyéhez. Bármely termékünk megvásárlásakor garantáljuk a szakképzett javítást és szervizelést. Ha a gépet nem szervizműhellyel rendelkező szakkereskedőtől vásárolta, akkor kérje el tőle a legközelebbi szervizműhely címét.

### A billentyűzet ellenőrzése

1. Nyomja le és tartsa lenyomva az indító-/leállítógombot (A).

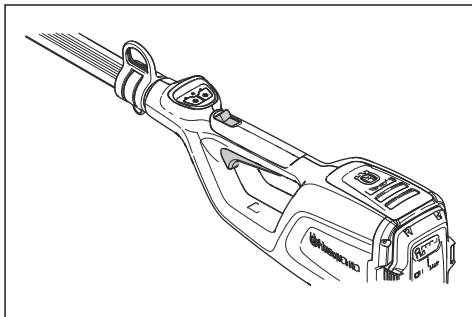


- a) Ha a LED világít, a termék be van kapcsolva.

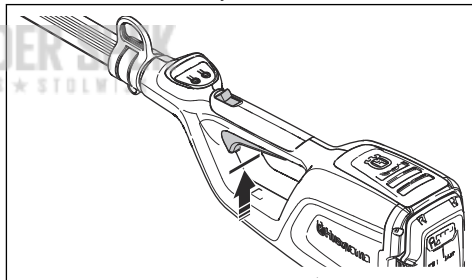
- b) Ha a LED nem világít, a termék ki van kapcsolva.
2. A SavE gomb funkciójával kapcsolatban lásd: *A SavE funkció elindítása 260. oldalon*.
  3. Ha a figyelmeztetésjelző (C) világít vagy villog, lásd: *Hibaelhárítás 261. oldalon*.

### A kapcsológomb reteszésének ellenőrzése

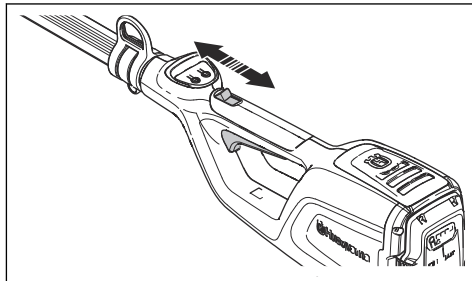
A kapcsológomb retesze megakadályozza a gomb véletlen megnyomását. Amikor elengedi a fogantyút, a kapcsológomb és annak retesze visszaáll az eredeti helyzetébe.



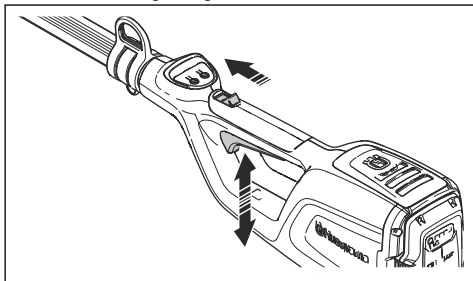
1. Ellenőrizze, hogy a kapcsológomb reteszel-e, amikor a retesz az eredeti helyzetében van.



2. Húzza ki, majd engedje el a reteszt, és győződjön meg róla, hogy az visszatér-e az eredeti helyzetébe.



3. Győződjön meg arról, hogy a kapcsológomb és a retesz akadálymentesen mozog-e, valamint hogy a visszatérítő rugó megfelelően működik-e.



4. Indítsa el a terméket, lásd: *A termék elindítása 259. oldal.*
5. Adjon teljes gázt.
6. Engedje el a bekapcsológombot, és győződjön meg róla, hogy a vágófelszerelés leállt-e.

### Az akkumulátorral kapcsolatos biztonsági előírások



**FIGYELMEZTETÉS:** A termék használata előtt olvassa el az alábbi figyelmeztetéseket.

- Az ajánlott akkumulátortípus a BLi10. Lásd: *Műszaki adatok 263. oldal.* Az akkumulátor szoftveresen kódolva van.
- A tölthető BLi10 akkumulátor kizárólag a megfelelő Husqvarna termékek tápellátására használja. Ne használja az akkumulátort más eszközök áramforrásaként, mivel ez balesetveszélyes.
- Elektromos áramütés veszélye. Ne csatlakoztassa az akkumulátorsarukat kulcsokhoz, érmékhez, csavarokhoz vagy egyéb fémhez. Ez az akkumulátor rövidzárlatát okozhatja.
- Ne használjon nem újratölthető akkumulátorokat.
- Ne tegyen tárgyakat az akkumulátor szellőzőnyílásaiba.
- Tartsa távol az akkumulátort a közvetlen napsütéstől, hőtől és nyílt lángtól. Az akkumulátor súlyos égési, illetve vegyi égési sérüléseket okozhat.
- Tartsa az akkumulátort esős, nedves környezettől távol.
- Tartsa az akkumulátort mikrohullámoktól és magas nyomástól távol.
- Soha ne próbálkozzon az akkumulátor szétszerelésével vagy széttrésésével.
- Ha az akkumulátor szivárog, ne hagyja, hogy a folyadék bőre vagy szembe kerüljön. Ha hozzáfért a folyadékhoz, nagy mennyiségű szappanos vízzel tisztítsa meg az adott testfelületet, és forduljon orvoshoz. Ha a folyadék a szemébe került, ne dörzsölje, hanem legalább 15 percig alaposan öblítse át a szemét vízzel, és forduljon orvoshoz.

- Az akkumulátort -10 °C (14 °F) és 40 °C (114 °F) közötti hőmérsékleten használja.
- Soha ne tisztítsa vízzel az akkumulátort vagy az akkumulátortöltőt. Lásd: *A termék, az akkumulátor és az akkumulátortöltő tisztítása 261. oldal.*
- Ne használjon meghibásodott vagy sérült akkumulátort.
- A tárolás során tartsa az akkumulátorokat távol a fém tárgyaktól, például szegektől, csavaroktól és ékszerektől.
- Az akkumulátor gyermekektől elzárva tartandó.

### Az akkumulátortöltő készülék biztonsága



**FIGYELMEZTETÉS:** A termék használata előtt olvassa el az alábbi figyelmeztetéseket.

- Áramütés vagy rövidzárlat veszélye, ha a biztonsági utasításokat nem tartják be.
- Ne használjon mást a termékhez mellékelt akkumulátortöltőn kívül. A BLi10 akkumulátor töltéséhez a javasolt töltőtípus a QC80.
- Ne próbálkozzon az akkumulátortöltő szétszerelésével.
- Ne használjon meghibásodott vagy sérült akkumulátortöltőt.
- Ne emelje fel az akkumulátortöltőt a tápkábelnél fogva. Az akkumulátortöltő fali aljzatból történő kihúzásához a dugaszt húzza. Ne a tápkábelt húzza.
- Minden kábelt és hosszabbítókábelét óvjon a víztől, az olajtól és az éles peremektől. Ügyeljen rá, hogy a kábel ne akadjon be ajtóba, korlátba vagy ezekhez hasonló tárgyakra.
- Ne használja az akkumulátortöltőt gyúlékony anyagok vagy olyan anyagok közelében, amelyek korróziót okozhatnak. Győződjön meg róla, hogy az akkumulátortöltőt nem fedi semmi. Amennyiben a töltő füstölni vagy égni kezdene, húzza ki a dugóját.
- Az akkumulátort csak jó szellőzésű helyiségben, napfénytől távol töltsen. Ne töltsen az akkumulátort kültéren. Ne töltsen az akkumulátort nedves körülmények között.
- Az akkumulátortöltőt csak 5 °C (41 °F) és 40 °C (104 °F) közötti hőmérséklet esetén használja. A töltőkészüléket jól szellőző, száraz és pormentes környezetben használja.
- Ne tegyen tárgyakat az akkumulátortöltő hűtőnyílásaiba.
- Ne érintsen az akkumulátortöltő csatlakozóihoz fémtárgyakat, mivel ezek rövidzárlatot okozhatnak a töltőkészüléken.
- Jóváhagyott, sértetlen hálózati aljzatot használjon. Ellenőrizze, hogy az akkumulátortöltő kábele nem sérült-e. Hosszabbítókábelek használata esetén győződjön meg arról, hogy a hosszabbítókábelek nem sérültek-e.



## Biztonsági utasítások a karbantartáshoz



**FIGYELMEZTETÉS:** A terméken végzett karbantartási műveletek előtt olvassa el az alábbi figyelmeztetéseket.

- Karbantartás, egyéb ellenőrzések vagy a termék összeszerelése előtt távolítsa el az akkumulátort.
- A kezelő kizárólag a jelen használati utasításban szereplő karbantartási és szervizmunkákat végezheti el. A szélesebb körű karbantartási és szervizmunkákkal kapcsolatban forduljon a szakszervizhez.
- Soha ne tisztítsa vízzel az akkumulátort vagy az akkumulátortöltőt. Az erős tisztítószeresek kárt tehetnek a műanyagban.
- A karbantartási műveletek elmulasztása csökkenti a termék élettartamát, illetve növeli a balesetveszélyt.
- A gépen végzett minden szerviz- és javítási munkát szakképzettséget igényel, különös tekintettel a biztonsági eszközökre. Amennyiben a karbantartást követően nem minden, a használati utasításban leírt ellenőrzési művelet jóváhagyott, forduljon a szakszervizhez. Garantáljuk a termékéhez megfelelő, professzionális javítást és szervizelést.
- A penge vágófogai mindig legyenek megfelelően élezve. Kövesse ajánlásainkat. Lásd a penge csomagolásán szereplő utasításokat is.
- Kizárólag eredeti pótalkatrészeket használjon.
- A vágófelszerelés javítása során mindig viseljen strapabíró védőkesztyűt. A kések nagyon élesek, és könnyen sérülést okozhatnak.

## Összeszerelés

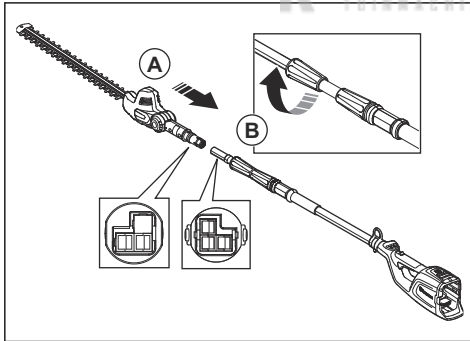
### Bevezető



**FIGYELMEZTETÉS:** Figyelmesen olvassa el a biztonságról szóló fejezetet, mielőtt összeállítaná a terméket.

### A nyél összeszerelése

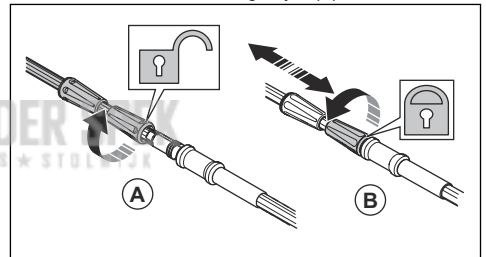
1. Ügyeljen arra, hogy az elektromos csatlakozók megfelelően igazodjanak egymáshoz.



2. Csatlakoztassa egymáshoz a nyél (A) végeit.
3. Szorítsa meg a nyél a sövénynyírófej felőli oldalán található, elcsavarható fogantyút (B).

### A nyél hosszának beállítása

1. Lazítsa meg a nyél akkumulátorház felőli oldalán található, elcsavarható fogantyút (A).



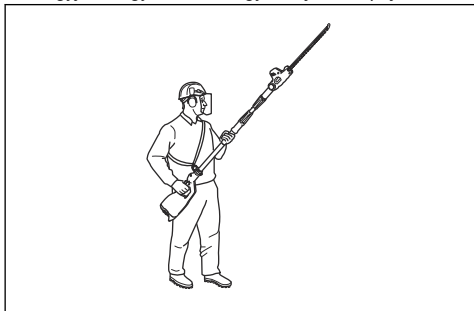
2. Állítsa a nyelet megfelelő hosszúságúra.
3. Szorítsa meg az elcsavarható fogantyút (B).

### A heveder beállítása

A termék működtetésekor mindig használja a hevedert. A heveder maximális ellenőrzést garantál a kezelőnek a termék használata során. A heveder használata esetén kevésbé valószínű, hogy a kezelő karja és háta elfárad.

1. Vegye fel a hevedert.
2. Rögzítse a terméket a hevedertartó horoghoz.

3. Állítsa be a heveder hosszát úgy, hogy a tartóhorog nagyjából egy szintben legyen a jobb csípőjével.



## Üzemeltetés

### Bevezető



**FIGYELMEZTETÉS:** A termék használata előtt figyelmesen olvassa el a biztonságról szóló fejezetet.

### A termék elindítása előtti teendők

1. Ellenőrizze a munkaterületet. Távolítson el minden olyan tárgyat, amelyet a termék kivethet.
2. Ellenőrizze a vágófelszerelést. Ellenőrizze, hogy a kések élesek-e, illetve hogy nincsenek-e rajtuk repedések vagy egyéb sérülések.
3. Győződjön meg arról, hogy a termék megfelelően működik. Ellenőrizze, hogy az anyák és csavarok szorosan meg vannak-e húzva.
4. Ellenőrizze, hogy a fogantyú és a biztonsági eszközök nem sérültek-e, illetve megfelelően vannak-e rögzítve. Ha valamelyik alkatrész hiányzik vagy a termék eredeti specifikációja megváltozott, ne használja a terméket. Szükség esetén viseljen védőkesztyűt.
5. A termék működtetése előtt győződjön meg arról, hogy a burkolatok nem sérültek-e, illetve megfelelően vannak-e rögzítve.

### Az akkumulátortöltő csatlakoztatása

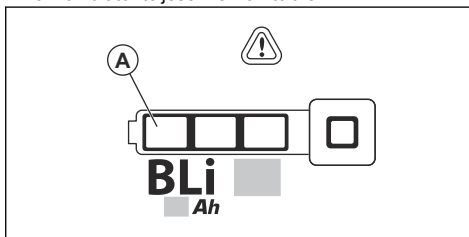
1. Az akkumulátortöltőt a típus táblán szereplő feszültségű és frekvenciájú áramforráshoz csatlakoztassa.
2. Csatlakoztassa a dugót egy földelt hálózati aljzatba. Egyszer zölden felvilágít a töltő LED-je.

**Megjegyzés:** 50 °C/122 °F feletti hőmérsékleten nem kerül sor az akkumulátor töltésére. 50 °C/122 °F feletti hőmérséklet esetén az akkumulátortöltőt a töltés előtt lehűti az akkumulátort.

### Az akkumulátor csatlakoztatása a töltőkészülékhez

**Megjegyzés:** Az első használat előtt tölts fel az akkumulátort. Az új akkumulátorok csak 30%-ra vannak feltöltve.

1. Ellenőrizze, hogy az akkumulátor teljesen száraz-e.
2. Csatlakoztassa az akkumulátort a töltőkészülékhez.
3. Ellenőrizze, hogy az akkumulátortöltőn lévő zöld töltésjelző lámpa világít-e. Ez azt jelenti, hogy az akkumulátor megfelelően érintkezik a töltőkészülékkel.
4. Ha az akkumulátoron az összes LED (A) világít, az akkumulátor teljesen fel van töltve.



5. Az akkumulátortöltő fali aljzataból történő kihúzásához a dugaszt húzza. Ne a kábelt húzza.
6. Vegye ki az akkumulátort a töltőből.

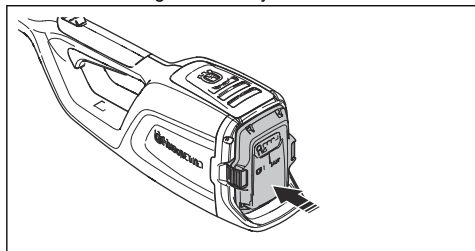
**Megjegyzés:** További információkért tekintse át az akkumulátor és az akkumulátortöltő használati utasítását.

## Az akkumulátor csatlakoztatása a termékhez



**FIGYELMEZTETÉS:** Kizárólag eredeti Husqvarna akkumulátorokat használjon a termékben.

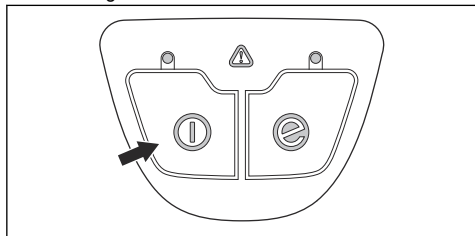
1. Ellenőrizze, hogy az akkumulátor teljesen fel van-e töltve.
2. Helyezze az akkumulátort a terméken található akkumulátortartóba. Az akkumulátornak könnyedén be kell csúsznia a tartóba – ha nem ez történik, akkor nem megfelelően helyezte be.



3. Nyomja meg az akkumulátor alsó részét, és tolja be teljesen az akkumulátortartóba. Az akkumulátor egy kattanás kíséretében a helyére kattan.
4. Győződjön meg arról, hogy a reteszek megfelelően rögzülnek-e a helyükön.

## A termék elindítása

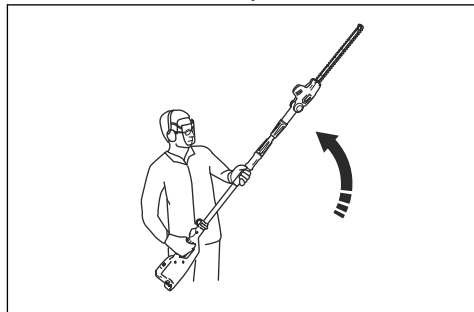
1. Tartsa nyomva az indító-/leállítógombot, amíg a zöld LED világítani nem kezd.



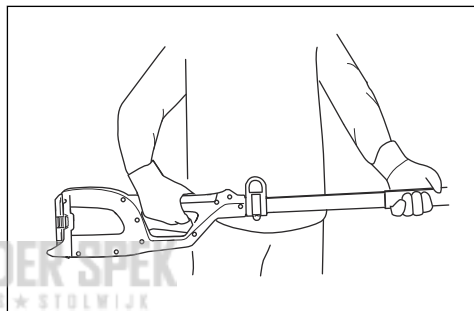
2. Húzza hátra a kapcsológomb reteszeit, és tartsa lenyomva a kapcsológombot.

## A termék működtetése

- Az oldalak vágását kezdje a talajról, majd mozgassa felfelé a terméket a sövény mentén.



- Tartsa a terméket a testéhez közel, így stabil testtartást vehet fel.

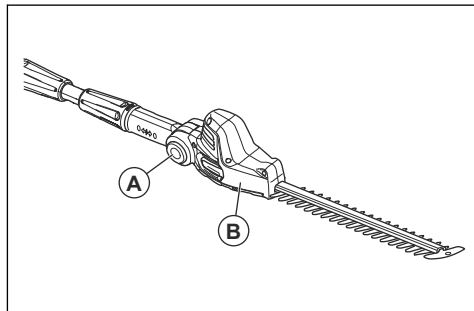


- Ügyeljen rá, hogy a vágószerkezet hegye ne érjen a talajhoz.
- Óvatosan és lassan dolgozzon, amíg az összes ágat nem vágja le megfelelően.

## A vágófelszerelés szögének beállítása

A vágófelszerelés 7 különböző helyzetbe állítható.

1. Állítsa le a terméket és távolítsa el az akkumulátort.



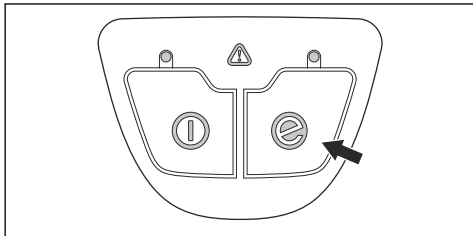
2. Tartsa meg stabilan a házat (B).
3. Tartsa benyomva a zárógombokat (A) a ház (B) 2 oldalán.
4. Mozgassa a vágófelszerelést a megfelelő szögbe.

- Engedje el a két oldalon található zárógombokat (A).
- Mozgassa a házat (B) fel és le, amíg a vágófelszerelés a helyére nem rögzül.

### A SavE funkció elindítása

A termék SavE funkcióval rendelkezik. A SavE funkció a lehető leghosszabb működési időt biztosítja az akkumulátor számára.

- Nyomja meg a SavE gombot. A funkció bekapcsolásakor a LED világítani kezd.



- A SavE funkció leállításához nyomja meg ismét a gombot.

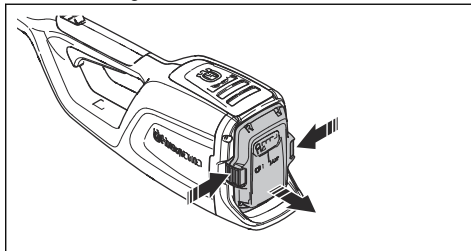
### Automatikus leállítás funkció

A termék automatikus leállítás funkciója leállítja a terméket, amikor az nincs használatban. Az indítást/

leállítást jelző zöld LED világítani kezd, és a termék 60 másodperc után leáll.

### A termék leállítása

- Engedje el a kapcsológombot.
- Tartsa lenyomva az indító-/leállítógombot, amíg a zöld LED ki nem alszik.
- Vegye ki az akkumulátort a termékből. Nyomja meg a két kioldógombot, és húzza ki az akkumulátort.



## Karbantartás

### Bevezető



**FIGYELMEZTETÉS:** A termék karbantartása előtt olvassa el és értelmezze a biztonsággal foglalkozó fejezetet.



**FIGYELMEZTETÉS:** Karbantartás előtt vegye ki az akkumulátort.

### Karbantartási terv

Alább következik egy lista a termék karbantartásával kapcsolatos lépésekről.

Karbantartás	Használat előtt	Hetente	Havi
Tisztítsa le a termék külső alkatrészeit.	X		
Ellenőrizze, hogy az indító- és leállító kapcsoló megfelelően működik és sértetlen-e.	X		
Ellenőrizze, hogy biztonsági szempontból megfelelő-e a kapcsológomb és a kapcsológomb reteszének működése.	X		
Ellenőrizze, hogy az összes vezérlő működik és sértetlen-e.	X		
Győződjön meg arról, hogy a vágófej kése és a vágófelszerelés védőburkolata repedésektől és sérülésektől mentes. Cserélje le a vágófej kését vagy a vágófelszerelés védőburkolatát, ha repedések vannak rajtuk, vagy ha valamilyen behatás érte őket.	X		
Ha a vágófej kése elhajlott vagy sérült, cserélje ki.	X		

Karbantartás	Használat előtt	Hetente	Havi
Ellenőrizze, hogy a csavarok és anyák szorosan rögzülnek-e.	X		
Ellenőrizze, hogy az akkumulátor sértetlen-e.	X		
Ellenőrizze, hogy az akkumulátor fel van töltve.	X		
Ellenőrizze, hogy az akkumulátortöltő sértetlen-e.	X		
Ellenőrizze, hogy a vágófej késeit összetartó csavarok rendesen meg vannak-e húzva.		X	
Végezze el az akkumulátor és a termék közötti csatlakozások ellenőrzését. Végezze el az akkumulátor és az akkumulátortöltő közötti csatlakozás ellenőrzését.			X

## Az akkumulátor és az akkumulátortöltő ellenőrzése

- Ellenőrizze, hogy az akkumulátoron nem található-e sérülések, például repedések.
- Ellenőrizze, hogy az akkumulátortöltőn nem található-e sérülések, például repedések.
- Ellenőrizze, hogy az akkumulátortöltő csatlakozókábele nem sérült-e, és hogy nincs-e rajta repedés.

## A termék, az akkumulátor és az akkumulátortöltő tisztítása

- Használat után tisztítsa meg a terméket egy száraz ruhával.
- Tisztítsa meg az akkumulátort és az akkumulátortöltőt egy száraz ruhával. Tartsa tisztán az akkumulátorvezető síneket.
- Mielőtt a töltőkészülékbe vagy a termékbe helyezné az akkumulátort, gondoskodjon az akkumulátor és a töltő érintkezőinek tisztaságáról.

## A vágófej késének ellenőrzése

- A termék használata előtt és után tisztítsa meg a vágófej késeit a nemkívánatos anyagoktól korróziógátló tisztítószerrel.
- Ellenőrizze, hogy nem található-e sérülés vagy deformáció a vágófej késeinek élein.

- A vágófej késein lévő sorjakat reszelő segítségével távolíthatja el.
- Ellenőrizze, hogy a vágófej kései szabadon forognak-e.

## A kések tisztítása és kenése

- A termék használata előtt és után tisztítsa meg a késeket a nemkívánatos anyagoktól.
- Hosszú időtartamú tárolás előtt kenje be a késeket kenőanyaggal.

**Megjegyzés:** Az ajánlott tisztítószerrel és kenőanyagokkal kapcsolatos további információkért forduljon az illetékes szakszervizhez.

## A sebváltó kenése

Akkor kenje meg a sebváltóházat, ha hivatalos szakszerviz szerelte szét a sebváltót.

- Használjon speciális Husqvarna zsírt. Az ajánlott zsírral kapcsolatos további információkért forduljon az illetékes szakszervizhez.
- Csak kis mennyiségű, magas minőségű kenőanyagot használjon.



**VIGYÁZAT:** Ne tölts fel teljesen a sebváltóházat.

## Hibaelhárítás

### Billentyűzet

LED-kijelző	Lehetséges hibák	Lehetséges megoldások
Villog a hibajelző LED.	Túlterhelés	A vágófelszerelés nem tud szabadon mozogni. Oldja ki a vágófelszerelést.
A termék nem indul.	Szennyeződés került az akkumulátorcsonkaközébe.	Tisztítsa meg az akkumulátorcsonkaközéket sűrített levegő vagy egy puha kefe segítségével.

LED-kijelző	Lehetséges hibák	Lehetséges megoldások
A hibajelző LED piros fényel kezd világítani.	A terméket szervizelni kell.	Forduljon az illetékes szakszervizhez.

## Akkumulátor

LED-es kijelző	Lehetséges hibák	Lehetséges megoldás
A zöld LED villog.	Alacsony akkumulátorfeszültség.	Töltse fel az akkumulátort.
Villog a hibajelző LED.	Hőmérséklet-ingadozás.	Az akkumulátort -10°C (14°F) és 40°C (104°F) közötti hőmérsékleten használja.
	Túl magas feszültség.	Ügyeljen, hogy a hálózati feszültség megegyezzen a termék adattábláján szereplő feszültség értékével. Vegye ki az akkumulátort a töltőből.
A hibajelző LED világít.	Túl nagy a cellák közötti különbség (1 V).	Forduljon az illetékes szakszervizhez.

## Akkumulátortöltő

Probléma	Lehetséges hibák	Lehetséges megoldás
Villog a piros hibajelző LED.	Hőmérséklet-ingadozás.	Az akkumulátortöltőt 5 °C (41 °F) és 40 °C (104 °F) közötti hőmérsékleten használja.
A piros hibajelző LED világítani kezd.	Túl nagy a cellák közötti különbség (1V).	Forduljon az illetékes szakszervizhez.

## Szállítás, tárolás és ártalmatlanítás

### Szállítás és raktározás

- A mellékelt lítium-ion akkumulátorokra a veszélyes anyagokra vonatkozó jogszabályok követelményei érvényesek.
- Kereskedelmi szállításnál – harmadik fél és szállítványozó cégek esetén is – a csomagolásra és címkézésre vonatkozó speciális előírásokat be kell tartani.
- A termék elküldése előtt forduljon egy veszélyes anyagok tekintetében szakképzett személyhez. Tartsa be az összes vonatkozó nemzeti előírást.
- Ha az akkumulátort becsomagolja, a szabadon álló érintkezőket le kell fedni ragasztószalaggal. Szorosan csomagolja be az akkumulátort, hogy az ne mozdulhasson el a csomagoláson belül.
- Tároláshoz vagy szállításhoz távolítsa el az akkumulátort.
- Helyezze az akkumulátort és az akkumulátortöltőt száraz, nedvesség- és fagymentes helyre.
- Ne tartsa az akkumulátort olyan helyen, ahol elektrosztatikus töltés lehet jelen. Ne tartsa az akkumulátort fém dobozban.
- Helyezze az akkumulátort közvetlen napfénytől védett helyre, ahol a hőmérséklet 5°C (41°F) és 25°C (77°F) között van.
- Helyezze az akkumulátortöltőt közvetlen napfénytől védett helyre, ahol a hőmérséklet 5°C (41°F) és 45°C (113°F) között van.
- Az akkumulátortöltőt csak 5°C (41°F) és 40°C (104°F) közötti környezeti hőmérséklet mellett használja.

- Hosszú ideig való tárolás előtt töltsse fel az akkumulátort 30–50%-ra.
- Az akkumulátortöltőt száraz, zárt helyen tárolja.
- A tárolás során tartsa távol az akkumulátort az akkumulátortöltőtől. Ügyeljen arra, hogy gyermekek és más jogosulatlan személyek ne érhessenek a berendezéshez. A berendezést kulccsal zárható helyen tárolja.
- A hosszú ideig való tárolás előtt tisztítsa meg a terméket, és végezze el annak teljes karbantartását.
- A sérülések és a termék károsodásának elkerülése érdekében szállításkor és tároláskor használja a termékben található szállítási biztosítószerkezetet.
- Szállításkor rögzítse biztosan a terméket.

## Az akkumulátor, az akkumulátortöltő és a termék ártalmatlanítása

A terméken vagy annak csomagolásán található szimbólumok azt jelzik, hogy a termék nem minősül háztartási hulladéknak. Újrahasznosítását egy elektromos és elektronikus berendezések újrahasznosítására szolgáló ponton kell elvégezni. Ez elősegíti a környezetre és a személyekre gyakorolt káros hatások megelőzését.

A termék újrahasznosításával kapcsolatos további információkért forduljon a helyi hatóságokhoz, hulladékártalmatlanítási szolgáltatást végző vállalkozáshoz vagy kereskedőjéhez.

## Műszaki adatok

### Műszaki adatok

	<b>120ITK4-H</b>
<b>Motor</b>	
Motortípus	PMDC 36 V
<b>Tömeg</b>	
Tömeg akkumulátor nélkül, kg	4,6
Tömeg akkumulátorral (alapértelmezett akkumulátor BLi10), kg	5,3
<b>Zajkibocsátás<sup>43</sup></b>	
Hangteljesítményszint, dB(A)-ben mérve	91,32
Hangteljesítményszint, garantált, L <sub>WA</sub> dB(A)	94
<b>Zajszintek<sup>44</sup></b>	
A kezelő hallószervére gyakorolt, EN 62841-1 és EN 62841-4-2 szerint mért hangnyomásszint, dB (A)	81,3
<b>Rezgésszintek<sup>45</sup></b>	
Rezgésszintek (a <sub>n</sub> ) az elülső/hátulsó fogantyúnál, m/s <sup>2</sup> . Lásd: EN 62841-1 és EN 62841-4-2.	1,223/0,816
<b>Vágófelszerelés</b>	
Típus	Kétoldalas

<sup>43</sup> A környezetben a 2000/14/EK sz. EK irányelvvel összhangban hangteljesítményként mért zajkibocsátás (L<sub>WA</sub>). A garantált és a mért hangteljesítmény közötti különbségnek az az oka, hogy a garantált hangteljesítmény tartalmazza a mérési eredményben lévő ingadozást és az azonos modellű termékek közti eltéréseket is a 2000/14/EK jelű irányelv értelmében.

<sup>44</sup> Az ekvivalens hangnyomásszint tipikus statisztikus ingadozása 3 dB (A).

<sup>45</sup> A rezgésszintre vonatkozó jelentési adatok az 1,5 m/s<sup>2</sup> tipikus statisztikus ingadozásával (szórásával) rendelkeznek.

A teljes rezgés deklarált értékének mérése szabványos vizsgálati módszerrel történt, és az érték felhasználható a szerszámok összehasonlítására.

A teljes rezgés deklarált értéke a kitétség előzetes becsléseként is használható.

	<b>120ITK4-H</b>
Késhosszúság, mm	500
Késsebesség vágás/perc, SavE üzemmód bekapcsolva	2250
Késsebesség vágás/perc, SavE üzemmód kikapcsolva	2800

### Jóváhagyott akkumulátortöltők

<b>Akkumulátortöltő</b>	<b>QC80</b>
Bemeneti feszültség, V	100-240
Frekvencia, Hz	50-60
Teljesítmény, W	100
Kimeneti feszültség, V DC/A	36/2

### A termék esetében jóváhagyott akkumulátorok

<b>Akkumulátor</b>	<b>BLi10</b>
Típus	Lítium-ion
Akkumulátor kapacitása, Ah	Lásd az akkumulátor típuscímkéjét
Névleges feszültség, V	36
Tömeg, kg	0,7



---

# EK megfelelési nyilatkozat

---

## EK megfelelési nyilatkozat

A **Husqvarna AB**, SE-561 82 Huskvarna, Svédország, tel: +46-36-146500, kijelenti, hogy azok a **Husqvarna 120ITK4-H** magassági sövénynyírók, amelyek a 2021 évtől kezdve kaptak sorozatszámot (az év jól látható a típusablán, a sorozatszám előtt), megfelelnek az EGK TANÁCSA következő IRÁNYELVEINEK:

- a 2006. május 17-i, „gépekre vonatkozó” irányelv **2006/42/EK**.
- a 2014. február 26-i, „elektromágneses megfeleléssel kapcsolatos” irányelv **2014/30/EU**.
- a 2011. június 8-i, „egyes veszélyes anyagok alkalmazásának korlátozására vonatkozó” irányelv **2011/65/EU**.

A következő szabványok kerültek alkalmazásra:

**EN 62841-1:2015, EN 62841-4-2:2019, EN 55014-1:2017+A11, EN 55014-2:2015, CISPR12:2007+A1 2009, EN IEC 63000:2018.**

A TÜV Rheinland LGA Products GmbH, Tillystrasse 2, D-90431 Nuernberg, Germany önkéntes típusvizsgálatot végzett a Husqvarna AB nevében. A tanúsítvány a következő számot viseli: **AM 50491653 0001**.

Huskvarna 2020-12-30

**KEES VAN DER SPEK**  
TUINMACHINES \* STOLWIJK



Pär Martinsson, Fejlesztési igazgató (A Husqvarna AB technikai dokumentációért felelős hivatalos képviselője.)

## TURINYS

Įvadas.....	266	Gedimai ir jų šalinimas.....	279
Sauga.....	268	Transportavimas, saugojimas ir utilizavimas.....	280
Surinkimas.....	274	Techniniai duomenys.....	280
Naudojimas.....	275	EB atitikties deklaracija.....	282
Techninė priežiūra.....	277		

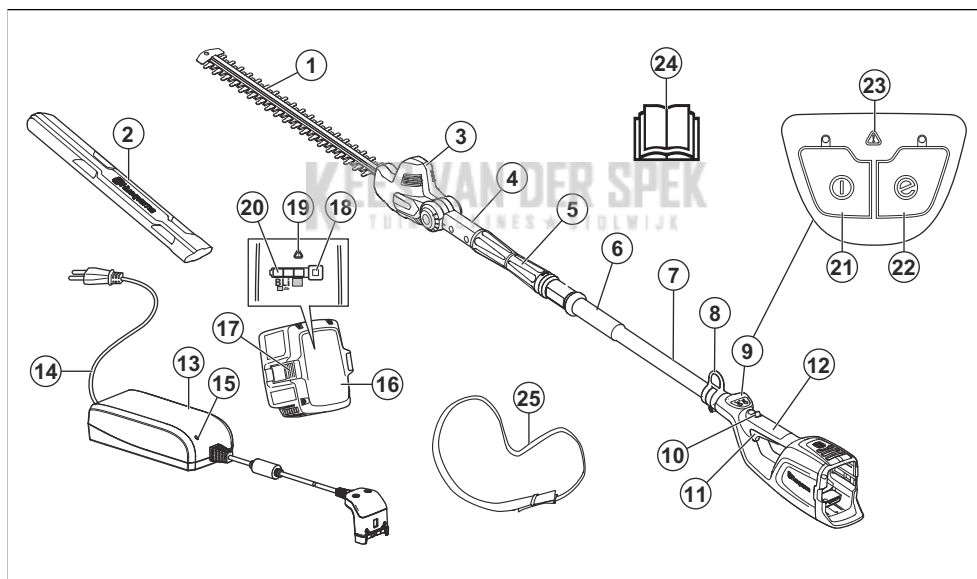
## Įvadas

### Gaminio aprašas

Husqvarna 120iTK4-H yra akumuliatorinės gyvatvorių žirklės teleskopiniu vamzdžiu.

Nuolat stengiamės padidinti jūsų saugumą ir eksploatacijos efektyvumą. Dėl išsamesnės informacijos kreipkitės į savo techninės priežiūros atstovą.

### Gaminio apžvalga



1. Peilis
2. Transportavimui skirtas apsauginis elementas
3. Garažas
4. Padėties padalijimo rankena
5. Teleskopinė funkcija
6. Priekinė rankena
7. Velenas
8. Laikymo diržų pakabos kabliukas
9. Klaviatūra
10. Maitinimo jungiklio fiksatorius

11. Maitinimo jungiklis
12. Galinė rankena
13. Akumuliatoriaus įkroviklis
14. Lynelis
15. Maitinimo įjungimo / išėjimas šviesos diodas
16. Akumuliatoriniai
17. Baterijos nuėmimo mygtukai
18. Akumuliatoriaus indikacinis mygtukas
19. Išėjimas šviesos diodas
20. Akumuliatoriaus indikacinis šviesos diodas

21. Paleidimo / stabdymo mygtukas
22. „Save“ mygtukas
23. Įspėjamasis šviesos diodas
24. Naudojimo instrukcija
25. Diržai

## Simboliai ant gaminio



ĮSPĖJIMAS! Šis įrenginys pavojingas. Nerūpestingai arba netinkamai naudojant įrenginį gali būti sužeistas ar netgi žūti operatorius arba pašaliniai asmenys. Kad nebūtų sužeistas operatorius arba pašaliniai asmenys, perskaitykite ir laikykitės visų naudojimo instrukcijoje pateiktų saugumo nurodymų. Prieš naudodami, atidžiai perskaitykite naudojimo instrukciją ir įsitikinkite, kad viską gerai supratote.



Vietose, kur ant jūsų gali užkristi daiktų, dėvėkite apsauginį šalimą. Naudokite patvirtintas apsaugines ausines. Naudokite patvirtintas akių apsaugos priemones.



Naudokite patvirtintas apsaugines pirštines.



Šis gaminys atitinka taikomas EB direktyvas.



Vardinė įtampa, V



Nuolatinė srovė.



Nepalikite lietuje.



Laikykite rankas atokiai nuo peilio.



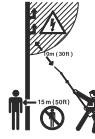
Teleskopinė funkcija.



Padalijimo funkcija.



Norėdami atlaisvinti rankenėlę, pasukite į kairę, norėdami priveržti – į dešinę.



Šis gaminys nėra izoliuotas. Jei produktas liečia ar priartėja prie aukštis įtampos laidų, gali kilti pavojus rimtai ar net mirtinai susižeisti. Srovė gali būti perduodama iš vieno taško į kitą įtampos lanku. Kuo aukštesnė įtampa, tuo toliau ji gali persiduoti. Srovė gali būti perduodama ir per šakas bei kitus daiktus, ypač kai jie yra drėgni. Visada laikykitės mažiausiai 10 m atstumo tarp produkto ir įtampos laidų bei / arba daiktų, kurie liečia juos. Jei darbas reikalauja dirbti mažesniu saugiu atstumu, visada praneškite atitinkamai energijos tiekėjui, norėdami užtikrinti, kad prieš pradėdant dirbti įtampa bus atjungta. Dirbdami išlaikykite mažiausiai 15 m / 50 pėdų atstumą nuo kitų žmonių ar gyvūnų.

yyyywwxxxx

Nominalių parametrų plokštelėje nurodytas serijos numeris. **yyyy** yra pagaminimo metai, **ww** yra pagaminimo savaitė.

**Pasižymėkite:** Kiti ant gaminio pateikti simboliai (lipdukai), skirti kai kurių rinkų sertifikavimo reikalavimams.

## Simboliai ant akumulatoriaus ir (ar) akumulatoriaus įkroviklio



Nuvežkite šį gaminį į elektros ir elektronikos įrenginių perdavimo punktą. (galioja tik Europoje)



Apsaugotas transformatorius.



Akumulatoriaus įkroviklį naudokite ir laikykite tik uždaroje patalpoje.



Dviguba izoliacija.

## Atsakomybė už gaminį

Kaip nurodyta atsakomybės už gaminį įstatymuose, mes nesame atsakingi už mūsų gaminio sukeltą žalą, jei:

- gaminys netinkamai suremontuotas;
- gaminys suremontuotas naudojant kito gamintojo arba gamintojo nepatvirtintas dalis;
- gaminys turi kito gamintojo arba gamintojo nepatvirtintą priedą;

- gaminys suremontuotas ne patvirtintame techninės priežiūros centre arba jį suremontavo ne patvirtintas atstovas.

## Sauga

### Saugos ženklų reikšmės

Įspėjimai, perspėjimai ir pastabos yra skirtos atkreipti dėmesį į ypač svarbias vadovo dalis.



**PERSPĖJIMAS:** Naudojamas, kai naudotojui ar šalia esantiems asmenims kyla mirtino arba sunkaus sužeidimo pavojus arba, jei nesilaikoma vadove pateiktų nurodymų.



**PASTABA:** Naudojamas, kai kyla pavojus sugadinti gaminį, kitas medžiagas arba padaryti žalą aplinkai, jei nesilaikoma vadove pateiktų nurodymų.

**Pasižymėkite:** Naudojamas papildomai informacijai apie konkrečią situaciją pateikti.

### Bendrieji saugos įspėjimai naudojant elektros įrankius



**PERSPĖJIMAS:** Perskaitykite visus saugos įspėjimus ir instrukcijas. Nesilaikydami įspėjimų ir instrukcijų galite sukelti gaisrą, patirti elektros smūgį ir (arba) rimtai susižeisti.

**Pasižymėkite:** Saugokite visus įspėjimus ir instrukcijas, nes jų gali prireikti vėliau. Terminas „elektros įrankis“ įspėjimuose reiškia iš elektros tinklo maitinamą (laidinį) elektros įrankį arba akumuliatoriumi maitinamą (belaidį) elektros įrankį.

### Sauga darbo vietoje

- **Darbo vieta turi būti švari ir gerai apšviesta.** Netvarkingose arba tamsiose darbo vietose dažnai įvyksta nelaimės.
- **Nenaudokite elektros įrankių sprogiuose aplinkose, pavyzdžiui, ten, kur yra lengvai užsidegančių skysčių, dujų arba dulkių.** Elektros įrankiai kibirkščiuoja, todėl gali užsiliepsnoti dulkės arba garai.
- **Naudodami elektros įrankį, neleiskite artai būti vaikams ir pašaliniais asmenims.** Išsiblaškę galite prarasti įrenginio kontrolę.

### Elektrosauga

- **Elektrinių įrankių kištukai turi atitikti elektros lizdus. Niekada nebandykite kokių nors būdu perdaryti kištuko. Jei naudojate įžemintus elektros įrankius, nenaudokite jokių kištukų adapterių.** Jeigu kištukai nėra perdaryti ir atitinka elektros lizdus, elektros smūgio pavojus yra mažesnis.
- **Nesilieskite prie elektros laidininkų paviršių, pavyzdžiui, vamzdžių, radiatorių, viryklių ir šaldytuvų.** Jei kūnas taps elektros laidininku, iškils elektros smūgio pavojus.
- **Nelaikykite elektrinių įrankių lietuje arba drėgnoje aplinkoje.** Į elektrinį įrenginį patekęs vanduo padidina elektros smūgio pavojų.
- **Tinkamai naudokite laidą. Niekada neneškite įrankio laikydami už laido, netraukite jo ir nebandykite traukdami už jo ištraukti elektrinio įrankio kištuką. Laikykite laidą atokiai nuo šilumos šaltinių, tepalų, aštrių briaunų ar judančių dalių.** Dėl pažeistų arba susipainiojusių laidų padidėja elektros smūgio rizika.
- **Jei elektrinį įrankį naudojate lauke, naudokite lauke skirtą naudoti ilgintuvą.** Naudojant lauke skirtą naudoti ilgintuvą, sumažėja elektros smūgio rizika.
- **Jeigu elektrinį įrankį būtina naudoti drėgnoje aplinkoje, naudokite lietaus saugos įtaisą (LSI) apsaugotą maitinimo šaltinį.** Naudojant LSI, sumažėja elektros smūgio pavojus.

### Asmens sauga

- **Naudodami elektros įrankį, būkite budrūs, stebėkite savo veiksmus ir vadovaukitės sveiku protu. Nenaudokite elektros įrankio, jei esate pavargę, apsaivę nuo narkotikų, alkoholio arba vaistų.** Dirbant elektros įrankiais netgi akimirksniu neatidumo gali tapti sunkaus sužeidimo priežastimi.
- **Naudokite asmenines apsaugines priemones. Visuomet užsidėkite akių apsaugos priemones.** Dėl atitinkamomis sąlygomis naudojamų apsauginių priemonių, pavyzdžiui, respiratorių, neslystančių apsauginių batų, šalmo arba apsauginių ausinių, sumažėja sužeidimų rizika.
- **Saugokitės atsitiktinio įsijungimo. Prieš prijungdami įrenginį prie maitinimo šaltinio ir (arba) akumuliatorių bloko, paimdami arba nešdami įrenginį, įsitikinkite, kad jungiklis yra išjungimo (OFF) padėtyje.** Jei nešite elektros įrankį laikydami pirštą ant jungiklio ar prijungsite jį prie maitinimo šaltinio, kai jungiklis yra įjungimo padėtyje, gali įvykti nelaimingas atsitikimas.
- **Prieš įjungdami elektros įrankį, pašalinkite iš jo visus reguliavimo raktus ar veržliarakčius.** Besisukančioje

elektros įrankio dalyje paliktas veržliaraktis arba raktas gali sužeisti.

- **Per plačiau neužsimokite. Visada tvirtai stovėkite ant kojų ir laikykite pusiausvyrą.** Tokiu būdu geriau kontroliuosite elektros įrankį netikėtose situacijose.
- **Apsirenkite tinkamai. Niekada nedėvėkite palaidų drabužių ar papuošalų. Nelaikykite plaukų ir drabužių arti judančių dalių.** Palaidi drabužiai, papuošalai arba ilgi plaukai gali įkliūti į judančias dalis.
- **Jeigu naudojate įtaisus, skirtus dulkių surinkimo įrenginiams prijungti, įsitikinkite, kad jie tinkamai prijungti ir naudojami.** Naudojant dulkių surinkimo įrenginius, sumažėja su dulkelėmis susijusių pavojų rizika.
- **Įgudę naudotis įrankiais ir prie jų prapatę nenustokite paisyti įrankių saugos principų.** Dėl neatsargių veiksmų galite rimtai susižeisti vos per akimirka.
- Tikrasis vibracijos dydis elektrinio įrenginio darbo metu gali skirtis nuo nurodytos suminės vertės, kadangi tai priklauso nuo įrenginio naudojimo būdų. Operatoriai turi naudoti atitinkamas saugos priemones, kurios pasirenkamos įvertinus realias darbo sąlygas (atsižvelgiant į visas darbo ciklo fazes, t.y. įrenginio išjungimo (nenaudojimo) trukmę, darbo tuščiąja eiga ir realaus pjovimo trukmes).

## Elektros įrankių naudojimas ir priežiūra

- **Dirbdami su elektros įrankiu nenaudokite jėgos.** Naudokite savo darbui tinkamą elektros įrankį. Naudojant tam tikslui skirtą elektros įrankį, darbas bus atliktas saugiau ir greičiau.
- **Jeigu paspaudus jungiklį elektros įrankis neįsijungia arba neišsijungia, nenaudokite įrankio.** Elektros įrankis, kurio nepavyksta tinkamai valdyti jungikliu, kelia pavojų ir turi būti taisomas.
- **Prieš reguliuodami elektros įrankius, keisdami priedus arba padėdami saugoti, ištraukite maitinimo laidą kištuką iš elektros lizdo ir (arba) atjunkite akumuliatorių bloką.** Laikantis šių prevencinės apsaugos priemonių, sumažėja netyčinio elektros įrankio įjungimo rizika.
- **Nenaudojamus elektros įrankius laikykite vaikams nepasiekiamoje vietoje ir neleiskite naudoti elektros įrankio asmenims, kurie nemoka juo naudotis arba nėra susipažinę su šiomis instrukcijomis.** Nekvalifikuotų naudotojų rankose elektros įrankiai yra pavojingi.
- **Pržiūrėkite elektros įrankius. Patikrinkite, ar sureguliuotos ir nestringa judančios dalys, ar nėra sulūžusių dalių ir kitų veiksmų, kurie gali daryti įtaką elektros įrankio veikimui. Prieš naudojant, sugedusį elektros įrankį reikia sutaisyti.** Daug nelaimingų atsitikimų įvyksta dėl netinkamai prižiūrimų elektros įrankių.
- **Pjovimo įrankiai turi būti pagalšti ir švarūs.** Tinkamai prižiūrėti pjovimo įrankiai su aštriomis pjovimo briaunomis rečiau užstringa ir juos paprasčiau valdyti.
- **Elektros įrankius, priedus, įrankių galštuvus ir pan. naudokite taip, kaip nurodyta šiose instrukcijose,**

**atsižvelgdami į darbo sąlygas ir atliekamą darbą.** Naudodami elektros įrankį ne pagal paskirtį, galite sukelti pavojingą situaciją.

- **Rankenos ir laikomieji paviršiai visuomet turi būti sausi ir švarūs (neištepti alyva ar tepalais).** Slidžios rankenos ir laikymosi paviršiai neleidžia saugiai valdyti ir kontroliuoti netikėtose situacijose.

## Akumuliatoriinių įrankių naudojimas ir priežiūra

- **Akumuliatorius kraukite tik gamintojo nurodytu įkrovikliu.** Įkroviklis, tinkamas vienam akumuliatorių blokui, gali sukelti gaisro pavojų, naudojamas kitam akumuliatorių blokui įkrauti.
- **Elektros įrankius naudokite tik su jiemis skirtais akumuliatorių blokais.** Naudojant bet kokį kitą akumuliatorių bloką kyla sužeidimo ir gaisro pavojus.
- **Nenaudojamą akumuliatorių bloką laikykite toliau nuo metalinių daiktų, galinčių sukurti jungtį tarp gnybtų, pavyzdžiui sąvaržėlių, monetų, raktų, vinių, varžtų ir kitų smulkių metalinių daiktų.** Trumpai sujungus akumuliatoriaus gnybtus gali kilti gaisras arba galite nudegti.
- **Esant nepalankioms sąlygoms, iš akumuliatoriaus gali imti tekėti skystis. Nelieskite jo. Ant odos netyčia patekusį skystį nuplaukite vandeniu. Skysčiui patekusį į akis kreipkitės medicininės pagalbos. Iš akumuliatoriaus ištekėjęs skystis gali sudirginti arba nudeginti.**
- **Nenaudokite pažeisto arba modifikuoto akumuliatorių bloko arba įrankio.** Naudojant pažeistus ar modifikuotus akumuliatorius, jų veikimas gali būti neprognozuojamas ir jie gali sukelti gaisrą, sprogimą ar sužaloti.
- **Saugokite akumuliatorių bloką arba įrankį nuo ugnies ir didelės temperatūros.** Sąlytis su ugnimi arba 130 °C (265°F) temperatūra gali sukelti sprogimą.
- **Laikykites visų įkrovimo nurodymų ir neįkraukite akumuliatorių bloko ar įrankio, esant nurodytame diapazone neišsitenkančiai temperatūrai.** Netinkamai įkraunant arba esant nurodytame diapazone neišsitenkančiai temperatūrai gali būti pažeistas akumuliatorius ir padidėti gaisro tikimybė.

## Techninė priežiūra

- **Elektros įrankio techninę priežiūrą privalo atlikti kvalifikuotas remonto specialistas, naudodamas tik tokias pačias pakaitines dalis.** Tokiu būdu bus užtikrinta elektros įrankio sauga.
- **Niekada neapžiūrinėkite pažeistų akumuliatorių blokų.** Akumuliatorių blokų techninę priežiūrą gali atlikti tik gamintojas arba įgalioti paslaugų teikėjai.

## Gyvatvorių žirklių saugos nurodymai

- **Laikykites toliau nuo peilių. Peiliams judant nemandykite išimti nupjautos medžiagos arba laikyti pjaunamos medžiagos.** Išjungus įrenginį, peiliai dar kurį laiką juda. Dirbant gyvatvorių žirkklėmis, netgi akimirksnis neatidumo gali tapti sunkaus sužeidimo priežastimi.

- **Nustojus peiliams judėti, gyvatvorių žirkles neškite laikydami už rankenos ir stengdamiesi neįjungti jokio maitinimo jungiklio.** Tinkamai nešant gyvatvorių žirkles, sumažėja pavojus netyčia paleisti gaminį ir susižeisti peiliu.
- **Prieš perveždami ar saugodami gyvatvorių žirkles, būtinai uždėkite peilio gaubtą.** Tinkamai naudojant gyvatvorių žirkles, sumažėja pavojus susižeisti peiliu.
- **Valydami užstrigusią medžiagą ar atlikdami techninę priežiūrą išitinkinkite, kad visi maitinimo jungikliai išjungti ir elektros laidas atjungtas.** Netikėtai išsijungus gyvatvorių žirkliams, kai valoma užstrigusi medžiaga arba atliekama techninė priežiūra, galima sunkiai susižeisti.
- **Gyvatvorių žirkles laikykite tik už izoliuotų laikomųjų paviršių, nes peilis gali paliesti paslėptus elektros laidus arba įrankio maitinimo laidą.** Peiliui palietus laidą, kuriuo teka elektros srovė, srovė gali imti tekėti metalinėmis gyvatvorių žirklių dalimis ir naudotojas gali gauti elektros smūgį.
- **Visus elektros laidus ir kabelius laikykite toliau nuo pjovimo vietos.** Elektros laidai ar kabeliai gali būti paslėpti gyvatvorėse ar krūmuose ir juos galima netyčia nupjauti peiliu.
- **Nenaudokite gyvatvorių žirklių blogomis oro sąlygomis, ypač jei gali žaibuoti.** Taip sumažinsite pavojų būti nutrenktiems žaibo.
- **Norėdami sumažinti mirties nuo elektros srovės pavojų, didesnio pasiekiamumo gyvatvorių žirklių niekada nenaudokite arti elektros linijų.** Susilietus su elektros linijomis arba naudojant šalia jų galima sunkiai susižeisti arba patirti mirtiną elektros smūgį.
- **Naudodami didesnio pasiekiamumo gyvatvorių žirkles visada jas laikykite abiem rankomis.** Laikykite didesnio pasiekiamumo gyvatvorių žirkles abiem rankomis, kad neprarastumėte kontrolės.
- **Naudodami didesnio pasiekiamumo gyvatvorių žirkles virš galvos, visada naudokite galvos apsaugos priemones.** Krintančios nuopjovos gali sunkiai sužeisti.

- Prieš darbą atlikite produkto patikrą. Žr. *Gaminio apsauginės priemonės psl. 272 ir Techninė priežiūra psl. 277.* Sugadinto produkto nenaudokite. Atlikite šiame vadove nurodytas saugos patikras, techninės priežiūros ir aptarnavimo procedūras.
- Saugokite, kad su gaminiu nežaistų vaikai. Niekumet neleiskite vaikams ar kitiems asmenims, neapmokytiems naudotis saugos gaminiu ir / arba akumulatoriumi, jais naudotis ar atlikti techninę priežiūrą. Vietos teisės aktuose gali būti nustatytas jauniausias amžius, nuo kurio galima naudoti tokius įrenginius.
- Laikykite gaminį užrakintoje patalpoje, kad jo nepasiektų vaikai arba neįgalieji asmenys.
- Akumulatorių laikykite ten, kur jos negali pasiekti vaikai.
- Be gamintojo leidimo jokių atveju negalima keisti originalios gaminio konstrukcijos. Būtinai naudokite originalias atsargines dalis. Nesuderinti konstrukcijos pakeitimai bei nepritaikytos detalės gali sukelti rimtus operatoriaus ir pašalinių asmenų kūno sužalojimus ir net mirtį.

**Pasižymėkite:** Naudojimą gali reglamentuoti nacionaliniai arba vietos teisės aktai. Laikykites nustatytų taisyklių.

## Naudojimo saugos instrukcijos



**PERSPĖJIMAS:** Prieš naudodami gaminį, perskaitykite toliau esančius įspėjimus.

- Jei tam tikroje situacijoje nežinosite kaip pasielgti, teiraukitės specialisto. Kreipkitės į pardavėją ar aptarnavimo dirbtuves. Nedirbkite darbo, kurio nemokate ar jaučiatės nepakankamai kvalifikuotas.
- Niekada nedirbkite gaminiu, jei esate pavargęs, išgėręs alkoholio ar vartojate medikamentus, kurie gali veikti Jūsų regėjimą, nuovoką ar koordinaciją.
- Darbas blogu oru vargina ir dažnai padidina pavojaus riziką. Dėl papildomos rizikos nerekomenduojama naudoti įrenginio labai blogu oru, pavyzdžiui, kai yra didelis rūkas, smarkus lietus, stiprus vėjas, didelis šaltis ar žaibo pavojus.
- Netvarkinga pjovimo įranga gali padidinti nelaimingų atsitikimų pavojų.
- Neleiskite vaikams naudoti gaminio ar būti arti jo. Įrenginį užvesti labai paprasta, todėl neprižiūrimi vaikai gali lengvai tai padaryti. Tai reiškia, jog iškyla pavojus sunkiai susižeisti. Kai neprižiūrite įrenginio, visuomet atjunkite bateriją.
- Užtikrinkite, kad dirbant prie jūsų arčiau nei 15 metrų neprisiartintų žmonės ar gyvūnai. Kai vienoje vietoje šiais įrenginiais dirba keli asmenys, tarp jų turi būti išlaikomas mažiausiai 15 m saugus atstumas. Priešingu atveju galite juos sunkiai sužeisti. Kam nors priartėjus, nedelsdami sustabdykite gaminį.

## Bendrieji saugos nurodymai



**PERSPĖJIMAS:** Prieš naudodami gaminį, perskaitykite toliau esančius įspėjimus.

- Nuimkite akumulatorių, kad netyčia neįjungtumėte gaminate.
- Šis įrankis gali būti pavojingas, jei būsite neatsargūs arba gaminį naudosite netinkamai. Šis gaminys gali rimtai sužeisti arba pražudyti naudotoją arba aplinkinius.
- Nenaudokite gaminio, jei pasikeitė jo pradinės specifikacijos. Nekeiskite gaminio dalių, neturinčių gamintojo patvirtinimo. Naudokite tik gamintojo patvirtintas dalis. Netinkamai atliekant gaminio techninę priežiūrą galima rimtai arba mirtinai susižeisti.

- Niekada nesisukinėkite su gaminiu prieš tai neįsitikinę, ar už jūsų nieko nėra.
- Užtikrinkite, kad žmonės, gyvuliai ar kiti objektai nepaveiks jūsų pjovimo įtaiso valdymo ir jų nepasieks pjovimo įtaisas arba pjovimo įtaiso sviesti palaidi objektai. Niekada nenaudokite gaminio, jei nelaimės atveju nebūtų kaip iškviešti pagalba.
- Visuomet patikrinkite darbo vietą. Pašalinkite visus palaidus daiktus, pavyzdžiui, akmenis, stiklo šukes, vinis, plieninę vielą, virvės galiukus ir pan., kurie gali būti išmetami arba įsipinti į pjovimo įrangą.
- Įsitikinkite, kad galite laisvai stovėti ir judėti. Apžiūrėkite, ar jūsų darbo vietoje nėra kliūčių, pavyzdžiui, išsikūšusių medžių šakų, akmenų, šakų, griovių, jei kartais tektų greitai pasitraukti. Labai atsargiai dirbkite ant stačių šlaitų.
- Visuomet tvirtai laikykite pusiausvyrą ir tvirtai remkitės į žemę kojomis. Per plačiai neužsimokite.
- Išjunkite gaminį prieš pernešdami jį į kitą darbo vietą. Pritvirtinkite transportavimui skirtą apsauginį elementą, kai jis nenaudojamas.
- Niekada nedėkite gaminio ant žemės, jei jis nėra išjungtas. Nepalikite gaminio be priežiūros, kai jis išjungtas.
- Nuimkite akumuliatorių prieš perduodami gaminį kitam asmeniui.
- Pasirūpinkite, kad pjovimo įtaiso neliestumėte drabužiais ar kūno dalimis, kai gaminys yra įjungtas.
- Jei naudojant gaminį užsikerta pjovimo įtaisas, sustabdykite ir išjunkite gaminį. Įsitikinkite, kad pjovimo įtaisas visiškai sustojo. Nuimkite akumuliatorių prieš valydami, apžiūrėdami ar remontuodami gaminį ir (arba) pjovimo įtaisą.
- Išjungę gaminį, rankas ir pėdas laikykite atokiai nuo pjovimo įtaiso, kol ji visiškai nesustoja.
- Saugokitės šakų nuolaužų, kurios gali būti išmetamos pjaunant. Nepjunkite per arti žemės vietose, kur gali būti išsviesti akmenys ir kiti daiktai.
- Saugokitės į orą pakeliamų daiktų. Visada naudokite pripažintus apsauginius akinius. Niekada nesilenkite virš pjovimo įrangos apsaugos. Akmenys, šiukšlės ir pan. gali pataikyti į akis ir sukelti apakimą arba rimtai sužaloti.
- Jeigu dėvite apsaugines ausines, būkite atidūs, kad išgirstumėte galimus įspėjamuosius signalus ar šūksnius. Išjungus įrenginį visada nusiimkite apsaugines ausines.
- Niekada nedirbkite stovėdami ant kopėčių, suoliuko ar kito netvirtai pakelto pagrindo.
- Ši mašina veikdama sukuria elektromagnetinį lauką. Tam tikromis aplinkybėmis šis laukas gali trikdyti aktyviųjų arba pasyviųjų medicininių implantų veiklą. Kad sumažėtų sunkaus ar netgi mirtino sužeidimo pavojus, medicininių implantų turintiems asmenims rekomenduojame prieš naudojant šį įrenginį pasitarti su gydytoju ir implanto gamintoju.
- Gaminį visada laikykite abiem rankomis. Gaminį laikykite dešinėje kūno pusėje.

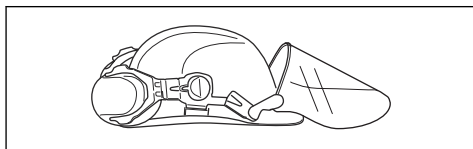
- Prieš šalindami medžiagą, apsivyniojusią aplink peilio veleną arba įstrigusią tarp apsaugo ir pjovimo įtaiso, būtinai išjunkite gaminį, nuimkite akumuliatorių ir įsitikinkite, kad pjovimo įtaisas nebesisuka.
- Naudojimo metu elektromagnetinis laukas gali trikdyti aktyvius arba pasyviuos medicininius implantus. Prieš naudodami šį gaminį asmenys su mediciniais implantais turėtų kreiptis į savo gydytoją ir medicininio implanto gamintoją.
- Gaminio svorį laikykite laikymo diržais, jį jį būtų lengva valdyti.
- Ilgalaikis triukšmo poveikis gali visam laikui pakenkti klausai. Husqvarna rekomenduoja operatoriams naudoti patvirtintas apsaugines ausines.
- Niekada nenaudokite gaminio, kurio konstrukcija yra pakeista ir neatitinka gamyklinių standartų.
- Niekada nenaudokite techniškai netvarkingo gaminio. Vykdysite šiame vadove nurodytas tikrinimo, techninės priežiūros ir remonto procedūras. Kai kuriuos techninės priežiūros darbus gali atlikti tik apmokyti ir kvalifikuoti specialistai. Žiūrėkite nurodymus, pateikiamus skyriuje „Techninė priežiūra“.
- Prieš naudodamiesi gaminiu atlikite bendrinę apžiūrą. Žr. techninės priežiūros grafiką.
- Niekuomet niekam neleiskite dirbti mašina prieš tai neįsitikinę, kad jie perskaitė ir suprato naudojimo instrukcijoje pateiktus nurodymus.
- Patikrinkite, kad darbo zonoje nebūtų pašalinių daiktų, pvz., elektrinių kabelių, gyvūnų ir t. t., arba kitų daiktų, pvz., metalinių, galinčių sugadinti pjovimo įtaisą.
- Pažeisti peiliai gali padidinti nelaimingų atsitikimų riziką.

## Asmeninės apsauginės priemonės



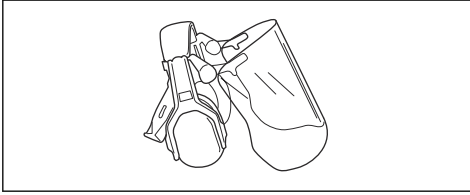
**PERSPĖJIMAS:** Prieš naudodami gaminį, perskaitykite toliau esančius įspėjimus.

- Naudodami įrenginį būtinai dėvėkite patvirtintas asmenines apsaugines priemones. Asmeninės apsauginės priemonės nepadės visiškai išvengti pavojaus susižeisti, tačiau nelaimingo atsitikimo atveju mažiau nukentėsite. Leiskite prekybos atstovui padėti pasirinkti tinkamą įrangą.
- Naudokite apsauginį šalną ten, kur gali būti krentančių daiktų



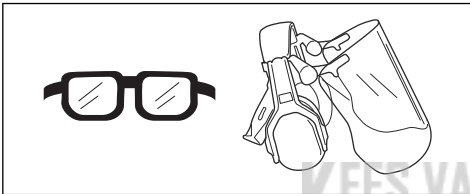
- Ilgalaikis triukšmo poveikis gali pakenkti klausai. Apskritai akumulatoriniai gaminiai yra tylūs, tačiau klausai galima pakenkti ilgai naudojant esant tam tikram triukšmo lygiui. Husqvarna rekomenduoja

operatoriams naudoti apsaugines ausines, kai gaminiai ilgą laiką naudojami be pertraukos. Ilgą laiką reguliariai gaminį naudojantys vartotojai turėtų reguliariai tikrintis klausą.

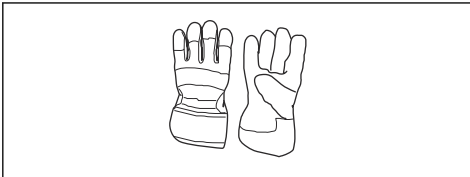


**PERSPĖJIMAS:** Apsauginės ausinės apriboja galimybes girdėti garsus ir įspėjimo signalus.

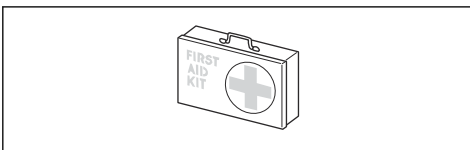
- Naudokite patvirtintas akių apsaugos priemones. Jei naudojamas apsauginis skydelis, turi būti nešiojami ir patvirtinti apsauginiai akiniai. Patvirtinti apsauginiai akiniai yra tie, kurie atitinka JAV ANSI Z87.1 standartą arba ES EN 166 standartą.



- Kai būtina, pvz., montuojant, apžiūrint arba valant pjovimo įrangą, užsimauskite pirštines.



- Vilkėkite iš stiprios medžiagos pagamintus drabužius. Būtinai mūvėkite tvirtas, ilgas kelnes, vilkėkite aprangą ilgomis rankovėmis. Nevilkėkite laisvų drabužių, kurie gali užkibti už krūmokšnių ir šakų. Nenešiokite papuošalų, trumpų kelnų ar atvirų batų ir nevaikščiokite basomis. Saugiai susisiekite plaukus aukščiau pečių.
- Netoliese turi būti pirmosios pagalbos vaistinė.



## Gaminio apsauginės priemonės



**PERSPĖJIMAS:** Prieš naudodami gaminį, perskaitykite toliau esančius įspėjimus.

Šiame skyriuje aprašytos gaminio saugos priemonės, jų paskirtis ir patarimai, kaip atlikti patikros ir priežiūros darbus, siekiant užtikrinti tinkamą gaminio veikimą. Žr. instrukcijas skyriuje *Gaminio apžvalga psl. 266* ir sužinokite, kokioje vietoje tos dalys yra gaminyje.

Gaminio tarnavimo laikas gali sutrumpėti, o nelaimingų atsitikimų pavojus gali padidėti, jei gaminys nebus tinkamai prižiūrimas, o aptarnavimas ir (arba) remonto darbai nebus atliekami profesionaliai. Prireikus daugiau informacijos, prašome kreiptis į artimiausią techninės priežiūros atstovą.



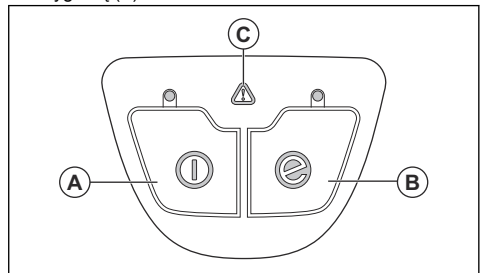
**PERSPĖJIMAS:** Niekada nenaudokite gaminio, kurio apsauginės dalys yra pažeistos. Gaminio saugos įranga turi būti tikrinama ir prižiūrima taip, kaip yra aprašyta šiame skyrelyje. Jei gaminys neatitinka bet kurio iš šių kontrolinių reikalavimų, kreipkitės į savo techninės priežiūros atstovą dėl gaminio remonto.



**PASTABA:** Įrenginio techninė priežiūra ir taisymas reikalauja specialaus pasirengimo. Tai ypač susiję su įrenginio saugos įranga. Jei jūsų įrenginys neatitiks nors vieno iš žemiau pateiktų kontrolės reikalavimų, kreipkitės į sertifikuotą remonto dirbtuvę. Mes garantuojame profesionalų aptarnavimą ir priežiūrą. Jei įrenginio pardavėjas neatlieka aptarnavimo, paprašykite jo duoti artimiausios remonto dirbtuvės adresą.

### Klaviatūros patikra

1. Paspauskite ir laikykite paleidimo / stabdymo mygtuką (A).



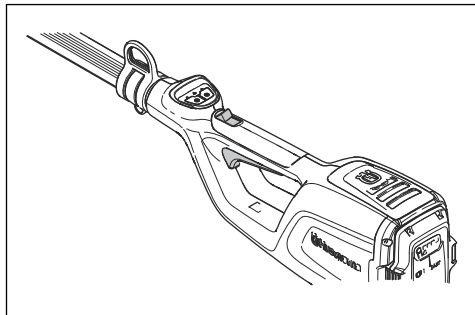
- a) Gaminys įjungtas, kai šviečia šviesos diodas.
- b) Gaminys išjungtas, kai užgesa šviesos diodas.



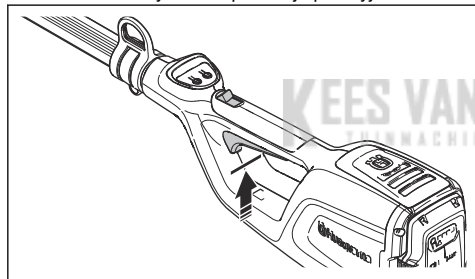
- Informacijos apie „SavE“ mygtuko funkciją žr. „SavE“ funkcijos įjungimas psl. 277.
- Jeigu išsižiebja arba mirksi išpėjamas indikatorius (C), žr. *Gedimai ir jų šalinimas psl. 279.*

### Maitinimo jungiklio užrakto patikra

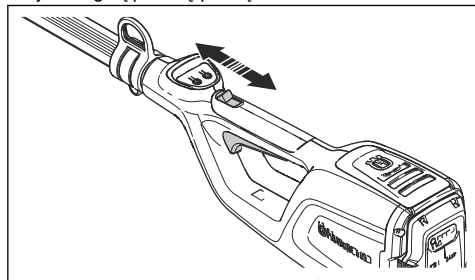
Maitinimo jungiklio fiksatorius apsaugo nuo atsitiktinio įsijungimo. Atleidus rankena, tiek maitinimo jungiklis, tiek jo fiksatorius grįžta į pradinę padėtį.



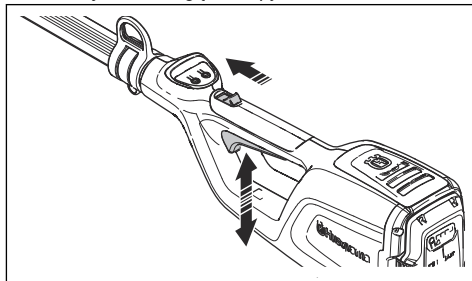
- Įsitinkite, kad maitinimo jungiklis yra užfiksuotas, kai fiksatorius yra savo pradinėje padėtyje.



- Patraukite ir atlaisvinkite fiksatorių; įsitinkite, kad jis juda atgal į pradinę padėtį.



- Įsitinkite, kad maitinimo jungiklis ir fiksatorius laisvai juda ir kad grįžimo spyruoklė veikia tinkamai.



- Įjunkite gaminį, žr. *Gaminio paleidimas psl. 276.*
- Įjunkite didžiausiu greičiu.
- Atleiskite maitinimo jungiklį ir įsitinkite, kad pjovimo įtaisas visiškai sustoja.

### Akumuliatorių naudojimo sauga



**PERSPĖJIMAS:** Prieš naudodami gaminį, perskaitykite toliau esančius įspėjimus.

- Rekomenduojamas BLi10 akumulatorius. Žr. *Techniniai duomenys psl. 280.* Akumulatorius turi koduotą programinę įrangą.
- Naudokite tik „BLi10“ akumuliatorių, kuris yra įkraunamas tik kaip „Husqvarna“ įrenginių maitinimo šaltinis. Kad išvengtumėte sužeidimų, nenaudokite akumulatoriaus kaip kitų gaminių maitinimo šaltinio.
- Elektros smūgio pavojus. Nejunkite akumulatoriaus gnybtų prie raktų, monetų, atsuktuvų ar kitų metalinių daiktų. Galite sukelti akumulatoriaus trumpąjį jungimą.
- Nenaudokite neįkraunamų akumuliatorių.
- Nekiškite objektų į akumulatoriaus oro angas.
- Saugokite akumuliatorių nuo tiesioginių saulės spindulių, karščio ar atviros ugnies. Akumulatorius gali sukelti terminius ir (arba) cheminius nudegimus.
- Saugokite akumuliatorių nuo lietaus ir drėgmės.
- Saugokite akumuliatorių nuo mikrobangų ir aukšto slėgio.
- Nebandykite akumulatoriaus išmontuoti ar sulaužyti.
- Jei iš akumulatoriaus teka skystis, saugokite nuo jo kūną ir akis. Jei palietėte skystį, gerai nuplaukite šią vietą vandeniu su muilu ir kreipkitės pagalbos į medikus. Jei skystis patektų į akis, jų netrinkite, tačiau mažiausiai 15 minučių skalaukite vandeniu ir kreipkitės į gydytoją.
- Akumuliatorių naudokite nuo -10 °C (14 °F) iki 40 °C (114 °F) temperatūroje.
- Nevalykite akumulatoriaus ar įkroviklio vandeniu. Žr. *Įrenginio, akumulatoriaus ir akumuliatorių įkroviklio valymas psl. 278.*
- Nenaudokite sugadinto arba pažeisto akumulatoriaus.

- Laikykitė akumuliatorius atokiau nuo metalinių daiktų, pavyzdžiui, vinių, varžtų, juvelyrinių dirbinių.
- Saugokitė akumuliatorių nuo vaiku.

- Naudokitė patvirtintus ir nepažeistus elektros tinklo lizdus. Įsitikinkitė, kad akumuliatoriaus įkroviklio laidas yra nepažeistas. Jei naudojami jungiamieji kabeliai, įsitikinkitė, kad jie nepažeisti.

## Įkroviklio sauga



**PERSPĖJIMAS:** Prieš naudodami gaminį, perskaitykite toliau esančius įspėjimus.

- Nesilaikant saugos instrukcijų, kyla elektros smūgio arba trumpojo jungimo rizika.
- Naudokitė tik kartu su gaminiu pateiktą akumuliatoriaus įkroviklį. Rekomenduojamas QC80 įkroviklis, kraunant BLi10 akumuliatorių.
- Nebandykite išmontuoti akumuliatoriaus įkroviklio.
- Nenaudokitė sugadinto arba pažeisto akumuliatoriaus įkroviklio.
- Nekelkite akumuliatoriaus įkroviklio už maitinimo laido. Norėdami atjungti akumuliatoriaus įkroviklį nuo elektros lizdo, traukite už kištuko. Netraukite už elektros laido.
- Visus kabelius ir jungiamuosius laidus laikykitė toliau nuo vandens, alyvos ir aštrių briaunų. Būkitė atidūs, kad kabelio neprispaustų objektai, pvz., durys, tvoros ar pan.
- Nenaudokitė akumuliatoriaus įkroviklio šalia degių arba koroziją sukeliančių medžiagų. Įsitikinkitė, kad akumuliatoriaus įkroviklis neuždengtas. Pastebėję dūmus ar liepsną, ištraukite akumuliatoriaus įkroviklio kištuką.
- Įkraukite akumuliatorių tik gerai vėdinamoje patalpoje, saugodami nuo saulės spindulių. Nekraukite akumuliatoriaus lauke. Nekraukite akumuliatoriaus drėgnomis sąlygomis.
- Akumuliatorių įkroviklį naudokitė nuo 5 °C (41 °F) iki 40 °C (104 °F) temperatūroje. Įkroviklį naudokitė gerai vėdinamoje, sausoje ir nedulkėtoje aplinkoje.
- Nekiškite objektų į įkroviklio aušinimo angas.
- Neprijunkite akumuliatorių įkroviklio gnybtų prie metalinių daiktų, nes taip sukelsite akumuliatorių įkroviklio trumpąjį jungimą.

## Priežiūros saugos instrukcijos



**PERSPĖJIMAS:** Prieš atlikdami gaminio techninę priežiūrą, perskaitykite toliau esančius įspėjimus.

- Prieš atlikdami techninę priežiūrą, kitą patikrą ar montuodami įrenginį, išimkite akumuliatorių.
- Operatorius gali atlikti tik tokius priežiūros ir techninės priežiūros darbus, kurie aprašyti šiame operatoriaus vadove. Dėl didesnių techninės priežiūros ir aptarnavimo darbų kreipkitės į techninės priežiūros atstovą.
- Nevalykite akumuliatoriaus ar įkroviklio vandeniu. Stiprus ploviklis gali sugadinti įrenginį.
- Neatliekant techninės priežiūros trumpėja įrenginio naudojimo laikas ir didėja nelaimingų atsitikimų pavojus.
- Visiems techninės priežiūros ir remonto darbams atlikti būtini specialūs mokymai, ypač atliekant su sauga susijusios įrangos priežiūrą. Jeigu atlikus techninę priežiūrą patvirtinti ne visi šiame naudotojo vadove nurodyti punktai, kreipkitės į techninės priežiūros atstovą. Garantuojame, kad jis suteiks profesionalią priežiūrą ir atliks gaminio techninės priežiūros darbus.
- Peilio asmenys turi būti gerai ir teisingai paglalšti. Vadovaukitės mūsų rekomendacijomis. Taip pat perskaitykite instrukciją ant pjovimo geležtės įpakavimo.
- Naudokitė tik originalias atsargines dalis.
- Naudodami pjovimo įtaisą, visada mūvėkitė storas darbinės pirštines. Peiliai yra labai aštrūs, todėl jais lengva susižeisti.

## Surinkimas

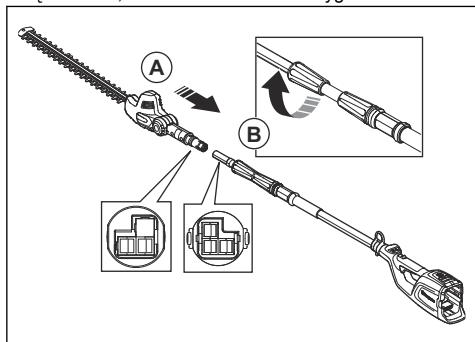
### Įvadas



**PERSPĖJIMAS:** Prieš surinkdami gaminį perskaitykite ir supraskite skyrių apie saugą.

## Veleno surinkimas

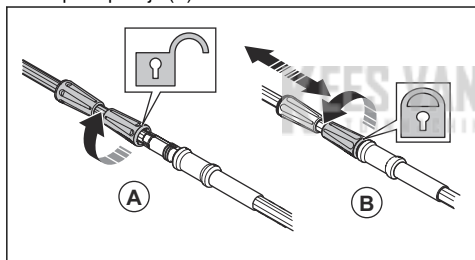
1. Įsitinkinkite, kad elektros kištukai sulygiuoti.



2. Visiškai sujunkite veleno (A) galus.
3. Priveržkite sukamąją rankeną veleno gyvatvorių žirklių galvutės pusėje (B).

## Teleskopinės rankenos ilgio reguliavimas

1. Atsukite sukamąją rankeną veleno akumulatoriaus korpuso pusėje (A).

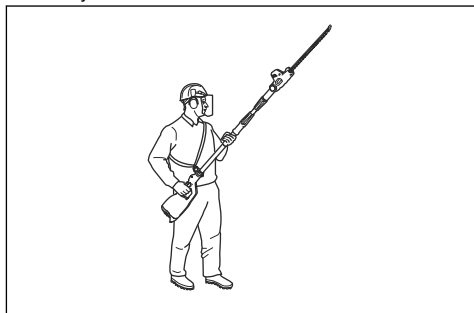


2. Nustatykite patogų veleno ilgį.
3. Priveržkite sukamąją rankeną (B).

## Laikymo diržų reguliavimas

Naudodami gaminį visada naudokite diržą. Diržas padeda maksimaliai valdyti naudojamą gaminį, naudojant diržą sumažinamas rankų ir nugaros nuovargis.

1. Užsidėkite laikymo diržus.
2. Užkabinkite gaminį ant laikymo diržo pakabos kabliuko.
3. Laikymo diržų ilgį sureguliuokite taip, kad pakabos kabliukas būtų tame pačiame aukštyje kaip Jūsų dešinysis klubas.



## Naudojimas

### Įvadas



**PERSPĖJIMAS:** Prieš naudodami gaminį perskaitykite ir supraskite skyrių apie saugą.

### Prieš paleidžiant gaminį

1. Patikrinkite darbo zoną. Pašalinkite daiktus, kurie gali išsviesti.
2. Patikrinkite pjovimo įtaisą. Įsitinkinkite, ar peiliai aštrūs, nėra suskilinėję ir pažeisti.
3. Įsitinkinkite, kad įrenginys veikia tinkamai. Patikrinkite, ar visos varžlės ir varžtai yra priveržti.

4. Įsitinkinkite, ar rankena ir saugos įtaisai nėra pažeisti ir tinkamai pritvirtinti. Nenaudokite gaminio be trūkstančių dalių arba jei pakeista jo pradinė specifikacija. Jei reikia, apsimaukite pirštines.
5. Prieš naudodami gaminį įsitinkinkite, kad gaubtai nepažeisti ir tinkamai pritvirtinti.

### Akumuliatorių įkroviklio prijungimas

1. Prijunkite įkroviklį prie informacinėje plokštelėje nurodytos įtampos ir dažnio maitinimo šaltinio.
2. Prijunkite kištuką prie įžeminto lizdo. Akumuliatoriaus įkroviklio LED indikatorius vieną kartą sumirksės žaliai.

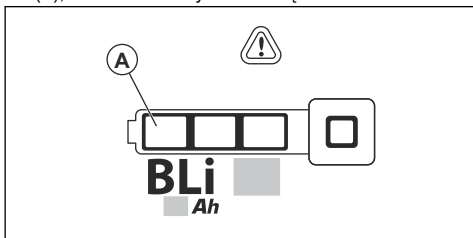
**Pasižymėkite:** Akumuliatorius nebus kraunamas, jeigu akumuliatoriaus temperatūra aukštesnė negu 50

°C / 122 °F. Jeigu temperatūra aukštesnė negu 50 °C / 122 °F, akumuliatorių įkroviklis aušins akumuliatorių.

## Norėdami prijungti akumuliatorių prie įkroviklio

**Pasižymėkite:** Jeigu naudojate įrenginį pirmą kartą, įkraukite akumuliatorių. Naujas akumuliatorius įkrautas tik 30 %.

1. Įsitikinkite, kad akumuliatorius sausas.
2. Prijunkite akumuliatorių prie įkroviklio.
3. Įsitikinkite, kad įjungtas žalias akumuliatorių įkroviklio indikatorius. Tai reiškia, kad akumuliatorius prijungtas prie akumuliatorių įkroviklio.
4. Įsižiebus visiems akumuliatoriaus šviesos diodams (A), akumuliatorius yra visiškai įkrautas.



5. Norėdami atjungti akumuliatoriaus įkroviklį nuo elektros lizdo, traukite už kištuko. Netraukite už laido.
6. Iš įkroviklio išimkite akumuliatorių.

**Pasižymėkite:** Daugiau informacijos žr. akumuliatoriaus ir akumuliatorių įkroviklio instrukcijose.

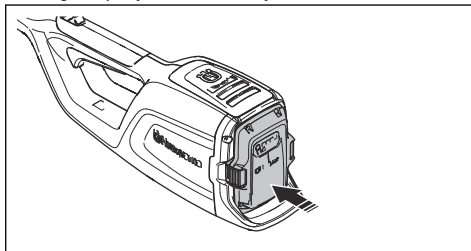
## Akumuliatoriaus prijungimas prie įrenginio



**PERSPĖJIMAS:** Įrenginyje naudokite tik Husqvarna originalius akumuliatorius.

1. Įsitikinkite, kad akumuliatorius visiškai įkrautas.

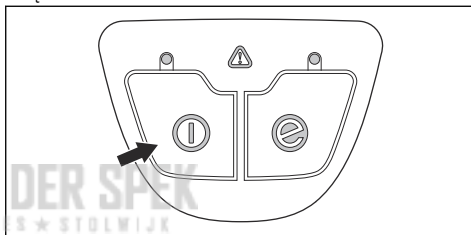
2. Įstatykite akumuliatorių į gaminio akumuliatoriaus laikiklį. Akumuliatorius turi lengvai įsistatyti į laikiklį. Jeigu nepavyksta, vadinasi įstatomas netinkamai.



3. Stumkite apatinę akumuliatoriaus dalį ir visiškai įstumkite į akumuliatoriaus laikiklį. Akumuliatorius bus užfiksuotas tada, kai išgirsite spragtelėjimą.
4. Įsitikinkite, kad fikساتoriai tinkamai įsitvirtino.

## Gaminio paleidimas

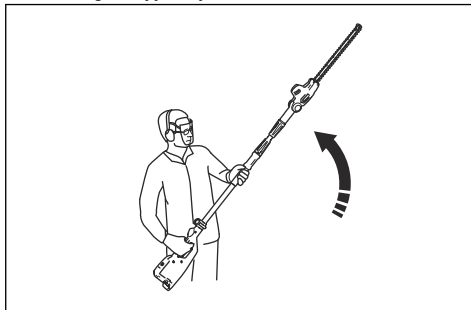
1. Paspauskite ir palaikykite įjungimo mygtuką, kol įsižiebs žalias šviesos diodas.



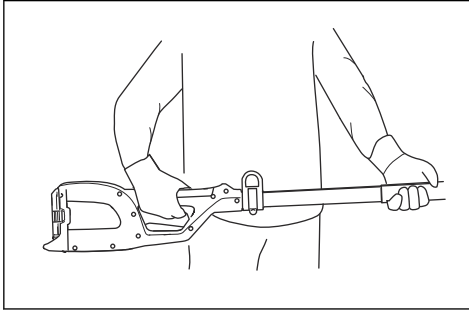
2. Patraukite maitinimo jungiklio fikساتorių atgal ir laikykite maitinimo jungiklį.

## Gaminio naudojimas

- Kirpdami gyvatvorės šonus pradėkite nuo apačios ir kelkite gaminį į viršų.



- Gaminį laikykite netoli kūno, kad stabiliau jį valdytumėte.

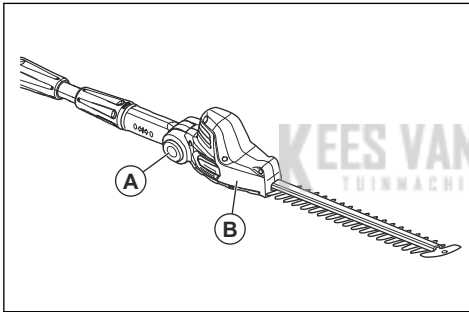


- Saugokitės, kad pjovimo įrangos galas nepaliestų žemės.
- Būkite atsargūs ir dirbkite lėtai, kol tinkamai nupjausite visas šakas.

### Pjovimo įtaiso kampo reguliavimas

Pjovimo įtaisą galima nustatyti į 7 skirtingas padėtis.

1. Sustabdykite gaminį ir išimkite akumuliatorių.

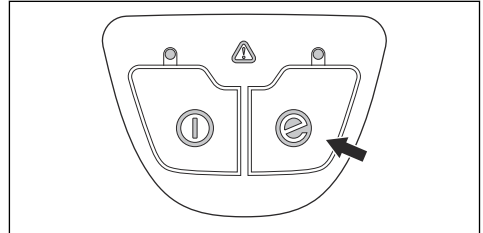


2. Tvirtai laikykite korpusą (B).
3. Paspauskite ir laikykite fiksavimo mygtukus (A) 2 korpuso (B) pusėse.
4. Nustatykite reikiamą pjovimo įtaiso kampą.
5. Atleiskite fiksavimo mygtukus (A) 2 pusėse.
6. Judinkite korpusą (B) aukštyn ir žemyn, kol pjovimo įtaisas užsifiksuos reikiamoje padėtyje.

### „Save“ funkcijos įjungimas

Šis gaminys turi „Save“ funkciją. Funkcija „Save“ leidžia naudoti akumuliatorių keik įmanoma ilgiau.

1. Paspauskite „Save“ mygtuką. Užsidega šviesos diodas, kuris rodo, kad funkcija įjungta.



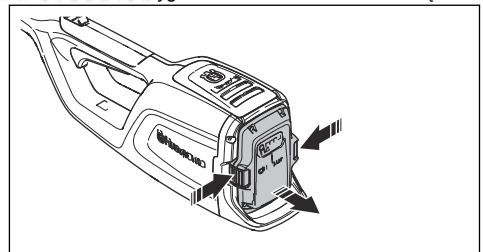
2. Paspauskite mygtuką „Save“ dar kartą, kad išjungtumėte funkciją.

### Automatinio išjungimo funkcija

Šis gaminys turi automatinio išjungimo funkciją, kuri išjungia gaminį, jei jis nenaudojamas. Žalias paleidimo / stabdymo šviesos diodas užgessta ir gaminys po 60 sekundžių sustoja.

### Gaminio sustabdymas

1. Atleiskite maitinimo jungiklį.
2. Paspauskite ir laikykite nuspauštą paleidimo / stabdymo mygtuką, kol užges žalias šviesos diodas.
3. Išimkite iš įrenginio akumuliatorių. Paspauskite 2 atlaisvinimo mygtukus ir ištraukite akumuliatorių.



## Techninė priežiūra

### Įvadas



**PERSPĖJIMAS:** Prieš atlikdami produkto priežiūros darbus, perskaitykite ir supraskite saugos skyrių.



**PERSPĖJIMAS:** Prieš atlikdami gaminio priežiūros darbus, išimkite akumuliatorių.

### Techninės priežiūros grafikas

Toliau pateiktas būtinų gaminio priežiūros darbų sąrašas.

Techninė priežiūra	Prieš pradedant darbą	Savaitinė	Kas mėnesį
Valykite išorines gaminio dalis.	X		
Patikrinkite, ar paleidimo ir stabdymo jungiklis gerai veikia ir nėra pažeistas.	X		
Patikrinkite, ar maitinimo jungiklio ir paties mygtuko fiksavimo funkcija veikia saugiai.	X		
Įsitikinkite, kad visi valdikliai veikia ir nėra pažeisti.	X		
Pasirūpinkite, kad pjovimo dantukų peilis ir pjovimo dantukų apsauga nėra suskilusi ir kad jie nepažeisti. Pakeiskite pjovimo dantukų peilį arba pjovimo dantukų apsaugą, jei jie suskilinėję arba buvo sutrenkti.	X		
Pakeiskite pjovimo dantukų peilį, jei jis sulinkęs arba pažeistas.	X		
Patikrinkite, ar gerai priveržtos veržlės ir varžtai.	X		
Įsitikinkite, kad akumulatorius nepažeistas.	X		
Patikrinkite, ar akumulatorius įkrautas.	X		
Įsitikinkite, kad akumulatoriaus įkroviklis nepažeistas.	X		
Patikrinkite, ar pjovimo dantukų peilius laikantys varžtai yra teisingai priveržti.		X	
Patikrinkite jungtis tarp akumulatoriaus ir gaminio. Patikrinkite jungtį tarp akumulatoriaus ir akumulatoriaus įkroviklio.			X

## Akumulatoriaus ir akumulatoriaus įkroviklio patikra

1. Patikrinkite, ar nepažeistas akumulatorius, pvz., nėra įtrūkimų.
2. Patikrinkite, ar nepažeistas akumulatorių įkroviklis, pvz., nėra įtrūkimų.
3. Įsitikinkite, kad akumulatoriaus įkroviklio prijungimo laidas nepažeistas ir be įtrūkimų.

## Įrenginio, akumulatoriaus ir akumulatorių įkroviklio valymas

1. Baigę darbą nuvalykite įrenginį sausa šluoste.
2. Nuvalykite akumulatorių ir akumulatorių įkroviklį sausa šluoste. Akumulatoriaus uždėjimo takeliai turi būti švarūs.
3. Prieš įstatydami akumulatorių į akumulatorių įkroviklį ar įrenginį, įsitikinkite, kad akumulatoriaus kontaktai ir akumulatorių įkroviklio kontaktai yra švarūs.

## Pjovimo dantukų peilio tikrinimas

1. Prieš naudodami gaminį ir jį panaudoję nuvalykite pašalines medžiagas nuo pjovimo dantukų peilių naudodami antikorozinę valymo priemonę.

2. Patikrinkite, ar nepažeistas ir nedeforuotas pjovimo dantukų peilio briaunos.
3. Naudodami dildę pašalinkite pjovimo dantukų peilio šerpetus.
4. Įsitikinkite, kad pjovimo dantukų peiliai laisvai juda.

## Peilių valymas ir tepimas

1. Prieš naudodami gaminį ir jį panaudoję nuvalykite pašalines medžiagas nuo peilių.
2. Jeigu ketinate ilgą laiką nenaudoti, sutepkite peilius.

**Pasižymėkite:** Dėl išsamesnės informacijos apie rekomenduojamas valymo medžiagas ir tepalus kreipkitės į techninės priežiūros atstovą.

## Pavaros tepimas

Tepalo tepkite ant pavaros korpuso, jei pavara buvo išardyta patvirtinto techninės priežiūros atstovo.

- Naudokite Husqvarna specialų tepalą. Dėl išsamesnės informacijos apie rekomenduojamus tepalus kreipkitės į techninės priežiūros atstovą.
- Naudokite tik mažą aukštos kokybės specialaus tepalo kiekį.



**PASTABA:** Nepripildykite sklidinai pavaros korpuso.

## Gedimai ir jų šalinimas

### Klaviatūra

Šviesos diodų ekranas	Galimi gedimai	Galimi sprendimai
Mirksi klaidos šviesos diodas.	Perkrova	Pjovimo įtaisas negali laisvai judėti. Nuimkite pjovimo įtaisą.
Nepavyksta paleisti gaminio.	Akumulatoriaus jungtyse yra purvo.	Išvalykite akumulatoriaus jungtis suspaustu oru ar minkštu šepetėliu.
Klaidos šviesos diodas įsižiebia raudona spalva.	Būtina atlikti gaminio priežiūros darbus	Kreipkitės į techninio aptarnavimo atstovą.

### Akumulatorius

LED ekranas	Galimi gedimai	Galimi veiksmai
Mirksi žalias šviesos diodas.	Nepakankama baterijos įtampa.	Įkraukite akumuliatorių.
Mirksi klaidos šviesos diodas.	Temperatūros svyravimai. Per didelė įtampa.	Akumuliatorių naudokite nuo -10°C (14°F) iki 40°C (104°F) temperatūroje. Įsitikinkite, kad elektros tinklo įtampa atitinka tą, kuri yra nurodyta ant gaminio nominalių parametrų plokštelės.
Šviečia klaidos šviesos diodas.	Pernelyg didelis blokų skirtumas (1V).	Iš įkroviklio išimkite akumuliatorių. Kreipkitės į techninio aptarnavimo atstovą.

### Akumulatoriaus įkroviklis

Problema	Galimi gedimai	Galimas sprendimas
Mirksi raudonas klaidos LED indikatorius.	Temperatūros svyravimai.	Akumulatoriaus įkroviklį naudokite nuo 5 °C (41 °F) iki 40 °C (104 °F) temperatūroje.
Užsidega raudonas klaidos LED indikatorius.	Pernelyg didelis blokų skirtumas (1 V).	Kreipkitės į techninio aptarnavimo atstovą.

# Transportavimas, saugojimas ir utilizavimas

## Gabenimas ir laikymas

- Pateikiamam ličio jonų akumuliatoriui taikomos pavojingų krovinių gabenimo taisyklės.
- Laikykitės specialių komercinių krovinių gabenimui, įskaitant trečiųjų šalių ar tarpininko transporto priemonėmis, taikomų reikalavimų dėl pakavimo ir ženklavimo.
- Pasitarkite su pavojingų medžiagų gabenimo specialistu prieš siųsdami įrenginį. Laikykitės visų taikomų nacionalinių reikalavimų.
- Pakuodami akumuliatorių uždėkite juostą ant atvirų kontaktų. Tvirtai supakuokite akumuliatorių, kad jis nejudėtų.
- Sandėliavimo ar transportavimo metu atjunkite akumuliatorių.
- Akumuliatorių ir akumuliatorių įkroviklį laikykite sausoje, drėgnoje ir teigiamos temperatūros vietoje.
- Nelaikykite akumuliatoriaus tokioje vietoje, kur gali susidaryti statiniai krūviai. Nelaikykite akumuliatoriaus metalinėje dėžutėje.
- Laikykite akumuliatorių vietoje, kurios temperatūra nuo 5 °C / 41 °F iki 25 °C / 77 °F, saugokite nuo tiesioginių saulės spindulių.
- Laikykite akumuliatorių įkroviklį vietoje, kurios temperatūra nuo 5 °C / 41 °F iki 45 °C / 113 °F, saugokite nuo tiesioginių saulės spindulių.
- Akumuliatoriaus įkroviklį naudokite, tik kai aplinkos temperatūra yra 5–40 °C / 41–104 °F.

- Prieš saugodami ilgesnį laiką pasirūpinkite, kad akumuliatorius būtų įkrautas 30–50 %.
- Akumuliatorių įkroviklį laikykite uždaroje ir sausoje patalpoje.
- Saugodami išimkite akumuliatorių iš akumuliatoriaus įkroviklio. Neleiskite vaikams ar kitiems nepatvirtintiems asmenims liesti įrenginio. Įrenginį laikykite užrakintoje vietoje.
- Prieš saugodami gaminį ilgesnį laiką, išvalykite jį ir atlikite visus techninės priežiūros darbus.
- Transportuodami ar sandėliuodami įrenginį naudokite įrenginio transportavimo apsaugą, kad išvengtumėte sužalojimų ar produkto sugadinimo.
- Gabendami saugiai pritvirtinkite įrenginį.

## Akumuliatoriaus, akumuliatorių įkroviklio ir įrenginio šalinimas

Ant gaminio ar ant jo pakuotės pateikti simboliai rodo, kad šio gaminio negalima išmesti kartu su buitinėmis atliekomis. Nuvežkite jį į elektros ir elektronikos įrenginių perdirbimo punktą. Taip saugosite nuo taršos aplinką ir žmones.

Jeigu reikia papildomos informacijos, kaip perdirbti jūsų gaminį, kreipkitės į vietines institucijas, buitinių atliekų surinkimo tarnybą arba pardavimo atstovą.

## Techniniai duomenys

### Techniniai duomenys

	<b>120iTK4-H</b>
<b>Variklis</b>	
Variklio tipas	PMDC 36 V
<b>Svoris</b>	
Svoris be akumuliatoriaus, kg	4,6
Svoris su akumuliatoriumi (numatytasis akumuliatorius BLi10), kg	5,3
<b>Skleidžiamas triukšmas<sup>46</sup></b>	
Garso galios lygis, matuojamas dB (A)	91,32
Garso galios lygis, garantuojamas L <sub>WA</sub> dB (A)	94

<sup>46</sup> Triukšmas, skleidžiamas į aplinką, išmatuotas kaip garso galia (L<sub>WA</sub>) pagal EB direktyvą 2000/14/EB. Skirtumas tarp garantuojamo ir matuojamo garso stiprumo yra tas, kad pagal Direktyvą 2000/14/EB garantuojamasis garso stiprumas apima ir matavimo rezultatų sklaidą bei nukrypimus tarp skirtingų to pačio modelio įrenginių.



	120ITK4-H
<b>Garso lygiai<sup>47</sup></b>	
Operatoriaus ausį veikiantis garso slėgis, išmatuotas pagal EN 62841-1 ir EN 62841-4-2, dB(A)	81,3
<b>Vibracijos lygis<sup>48</sup></b>	
Vibracijos lygis ( $a_{H1}$ ), priekinė / galinė rankena, $m/s^2$ Žr. EN 62841-1 ir EN 62841-4-2.	1,223 / 0,816
<b>Pjovimo įranga</b>	
Tipas	Dvipusis
Peilio ilgis, mm	500
Peilio greitis pjūviai/min „SavE“ režimu	2250
Peilio greitis pjūviai/min ne „SavE“ režimu	2800

### Patvirtinti akumuliatorių įkrovikliai

<b>Akumuliatoriaus įkroviklis</b>	<b>QC80</b>
Įvado įtampa, V	100–240
Dažnis, Hz	50–60
Galia, W	100
Išėjimo įtampa, V DC / A	36 / 2

### Gaminiui patvirtinti akumulatoriai

<b>Akumulatoriniai</b>	<b>BLI10</b>
Tipas	Ličio jonų
Akumuliatoriaus talpa, Ah	Žr. akumuliatoriaus nominaliųjų parametrų lipduką
Nominali įtampa, V	36
Svoris, kg	0,7

<sup>47</sup> Tipiška ekvivalentiško garso slėgio lygio statistinė sklaida turi standartinį 3 dB (A) nuokrypį.

<sup>48</sup> Pateiktuose vibracijos lygio duomenyse yra  $1,5 m/s^2$  tipiška statistinė sklaida (standartinis nuokrypis).

Nurodyta suminė vibracijos vertė gauta matuojant pagal standartinį bandymo metodą ir ją galima naudoti, norint šį įrenginį palyginti su kitais įrenginiais.

Be to, nurodytą suminę vibracijos vertę galima naudoti pirminiam poveikio įvertinimui.

---

## EB atitikties deklaracija

---

### EB atitikties deklaracija

**Husqvarna AB**, SE-561 82 Huskvarna, Švedija, tel. +46-36-146500, patvirtina, kad teleskopinės gyvatvorių žirklys su strypu **Husqvarna 120ITK4-H** kurių serijos numeriai yra nuo 2021 (metai aiškiai nurodyti ant nominalių parametrų plokštelės, po jų – serijos numeris), atitinka šių TARYBOS DIREKTYVŲ reikalavimus:

- 2006 m. gegužės 17 d. Direktyvos **2006/42/EB** dėl mašinų;
- 2014 m. vasario 26 d. Direktyvos **2014/30/ES** dėl elektromagnetinio suderinamumo;
- 2011 m. birželio 8 d. direktyva **2011/65/ES** dėl tam tikrų pavojingų medžiagų naudojimo.

Taikyti šie standartai:

**EN 62841-1:2015, EN 62841-4-2:2019, EN 55014-1:2017+A11, EN 55014-2:2015, CISPR12:2007+A1 2009, EN IEC 63000:2018.**

TÜV Rheinland LGA Products GmbH, Tillystrasse 2, D-90431 Nuernberg, Germany atliko savanorišką tipo tyrimą Husqvarna AB vardu. Sertifikato numeris: **AM 50491653 0001**.

Huskvarna 2020-12-30



The image shows a handwritten signature in black ink, which appears to be 'Pär Martinsson'. To the right of the signature is a large, semi-transparent watermark logo for 'KEES VAN DER SPEK' with the text 'CHINES \* STOLWIJK' underneath it.

Pär Martinsson, plėtros vadovas (įgaliotasis „Husqvarna AB“ atstovas, atsakingas už techninę dokumentaciją)

## Saturs

Ievads.....	283	Problēmu novēršana.....	296
Drošība.....	285	Pārvadāšana, glabāšana un utilizēšana.....	297
Montāža.....	292	Tehniskie dati.....	298
Lietošana.....	293	EK atbilstības deklarācija.....	300
Apkope.....	295		

## Ievads

### Izstrādājuma apraksts

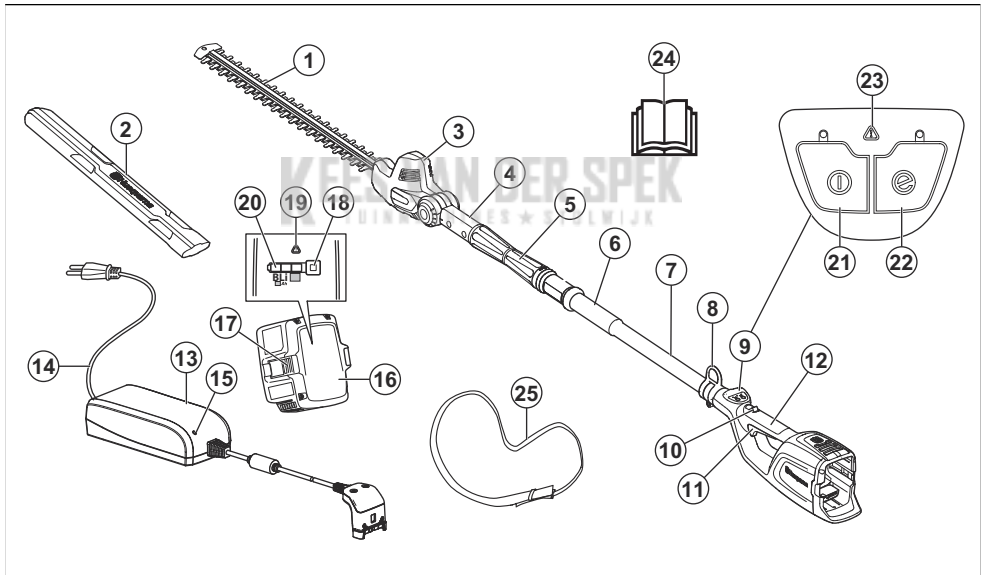
Husqvarna 120iTK4-H ir akumulatora teleskopiskā kāta dzīvzogu griezējs.

Mēs nepārtraukti strādājam, lai uzlabotu jūsu drošību un efektivitāti, darbojoties ar šo ierīci. Lai iegūtu plašāku informāciju, sazinieties ar apkopes sniedzēju.

### Paredzētā lietošana

Izstrādājums paredzēts zaru un zariņu griešanai. Nelietojiet izstrādājumu citiem uzdevumiem.

### Izstrādājuma pārskats



1. Asmens
2. Transportēšanas aizsargs
3. Korpus
4. Pozīcijas daļiņas rokturis
5. Teleskopiskā funkcija
6. Teleskopiskā funkcija
7. Kāts
8. Stiprinājuma siksnu āķis
9. Tastatūra
10. Piedziņas mēlītes bloķētājs
11. Piedziņas mēlīte
12. Aizmugurējais rokturis
13. Akumulatora lādētājs
14. Aukla
15. Barošanas/bīdinājuma LED indikators
16. Akumulators
17. Akumulatora atvienošanas poga
18. Akumulatora indikatora poga
19. Bīdinājuma LED indikators
20. Akumulatora LED indikators

21. Iedarbināšanas/izslēgšanas poga
22. Poga SavE
23. Brīdinājuma LED indikators
24. Lietotāja rokasgrāmata
25. Stiprinājuma sikсна (drošības josta)

## Simboli uz izstrādājuma



**BRĪDINĀJUMS!** Šis izstrādājums ir bīstams. Tas var izraisīt traumas vai nāvi operatoram vai blakus stāvošām personām, ja izstrādājums netiek lietots uzmanīgi un pareizi. Lai novērstu traumas operatoram vai blakus stāvošām personām, izlasiet un ievērojiet visas drošības instrukcijas lietošanas rokasgrāmatā. Lūdzu, rūpīgi izlasiet šo lietošanas rokasgrāmatu un pirms izstrādājuma lietošanas pārliecinieties, vai izprotat instrukcijas.



Izmantojiet aizsargķiveri vietās, kur jums var uzkrīst priekšmeti. Izmantojiet apstiprinātus dzirdes aizsarglīdzekļus. Izmantojiet apstiprinātus acu aizsarglīdzekļus.



Izmantojiet apstiprinātus aizsargcimdus.



Šis izstrādājums atbilst piemērojamo EK direktīvu prasībām.



Spriegums, V



Līdzstrāva



Nepakļaujiet ierīci lietus iedarbībai.



Netuviniet rokas asmenim.



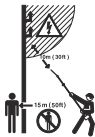
Teleskopiskā funkcija.



Dalīšanas funkcija.



Pagrieziet pa kreisi, lai atskrūvētu fiksatoru, un pa labi, lai to pievilktu.



Šis izstrādājums nav izolēts. Ja izstrādājums nonāk saskarē ar augstsprieguma elektropārvades līnijām vai atrodas to tuvumā, tas var novest pie nāves gadījumiem vai smagām traumām. Elektriskā strāva no viena punkta uz otru var tikt pārnesta ar tā saucamā elektriskā loka palīdzību. Jo augstāks ir spriegums, jo lielāks ir attālums, kādā var tikt pārnesta strāva. Elektriskā strāva var tikt pārvadīta arī ar zaru un citu priekšmetu palīdzību, sevišķi, ja tie ir mitri. Nodrošiniet, lai attālums starp izstrādājumu un augstsprieguma elektropārvades līniju un/vai priekšmetiem, kas ir saskarē ar to, vienmēr būtu vismaz 10 m. Ja nepieciešams strādāt drošības zonā, pirms darba vienmēr informējiet attiecīgo elektrokompaniju un pārliecinieties, vai elektrības padeve ir atslēgta Darba laikā ievērojiet vismaz 15 m attālumu līdz citām personām vai dzīvniekiem.

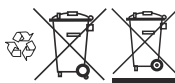
yyyywwxxxx

Datu plāksnītē ir norādīts sērijas numurs. **yyyy** ir ražošanas gads, **ww** ir ražošanas nedēļa.

KEEP VAN DER SPEK  
TUINMACHINE

**Piezīme:** Pārējie uz izstrādājuma norādītie simboli/norādes atbilst noteiktu valstu sertifikācijas prasībām.

## Simboli uz akumulatora un/vai akumulatora lādētāja



Utilizējiet šo izstrādājumu elektrisko un elektronisko ierīču pārstrādes uzņēmumā. (Atiecās vienīgi uz Eiropu)



Bezattieces transformators.



Lietojiet un uzglabājiet akumulatoru lādētāju tikai iekštelpās.



Dubultā izolācija.

## Atbildība par izstrādājuma kvalitāti

Saskaņā ar likumiem par izstrādājuma kvalitāti mēs neuzņemamies atbildību par bojājumiem, ko radījis mūsu izstrādājums, ja:

- ir veikts nepareizs izstrādājuma remonts;

- izstrādājuma remonts ir veikts, izmantojot detaļas, ko nav nodrošinājis vai apstiprinājis ražotājs;
- izstrādājumam tiek pievienots piederums, ko nav nodrošinājis vai apstiprinājis ražotājs;
- izstrādājuma remonts nav veikts pilnvarotā remontdarbničā vai pie pilnvarota speciālista.

## Drošība

### Drošības definīcijas

Brīdinājumi, norādes "Uzmanību!" un piezīmes tiek izmantotas, lai izceltu īpaši svarīgas lietotāja rokasgrāmatas daļas.



**BRĪDINĀJUMS:** Tiek izmantota tad, ja rokasgrāmatā sniegto instrukciju neievērošanas dēļ operatoram vai blakus esošajām personām draud traumu vai nāves risks.



**IEVĒROJIET:** Tiek izmantota tad, ja rokasgrāmatā sniegto instrukciju neievērošanas dēļ rodas izstrādājuma, citu materiālu vai blakus esošās teritorijas bojājuma risks.

**Piezīme:** Tiek izmantota, lai sniegtu plašāku informāciju, kas nepieciešama attiecīgajā situācijā.

### Vispārīgi drošības brīdinājumi par elektriskā darbarīka lietošanu



**BRĪDINĀJUMS:** Izlasiet visus drošības brīdinājumus un norādījumus. Neievērojot brīdinājumus un norādījumus, var rasties elektrotrauma, aizdegšanās un/vai smagas traumas.

**Piezīme:** Saglabājiet visus brīdinājumus un norādījumus turpmākām uzziņām. Brīdinājumos izmantotais termins "elektriskais darbarīks" attiecas uz elektrisko darbarīku, kura barošanu nodrošina elektrotilks (ar kabeli) vai akumulators (bez kabeļa).

### Darba zonas drošība

- **Darba zonai jābūt tīrai un labi apgaismotai.** Nekārtīgās un tumšās vietās bieži notiek negadījumi.
- **Nelietojiet elektriskos darbarīkus sprādzienbīstamā vidē, piemēram, viegli uzliesmojošu šķidrums, gāzu vai putekļu tuvumā.** Elektriskie darbarīki rada dzirksteles, kas var izraisīt putekļu vai izgarojumu aizdegšanos.

- **Elektriskā darbarīka lietošanas laikā neļaujiet tuvumā atrasties bērniem un citām personām.** Uzmanības novēršanas dēļ varat zaudēt kontroli.

### Elektrodrošība

- **Elektriskā darbarīka kontaktspraudņiem jāatbilst elektrotilka kontaktligzdām. Nekādā gadījumā nepārveidojiet kontaktspraudni! Ar iezemētiem elektriskajiem darbarīkiem nedrīkst izmantot nekādus pārejas spraudņus.** Nepārveidotas kontaktdakšas un atbilstošas kontaktilgzdas samazina strāvas triecienu risku.
- **Nepieļaujiet ķermeņa saskari ar iezemētām virsmām, piemēram, caurulēm, radiatoriem, plītiem un ledusskapjiem.** Ja ir izveidojies ķermeņa zemējums, pastāv paaugstināts strāvas triecienu risks.
- **Elektriskos darbarīkus nedrīkst pakļaut lietus vai mitruma iedarbībai.** Elektriskajā instrumentā iekļūvis ūdens paaugstina strāvas triecienu risku.
- **Lietojot kabeli, ievērojiet piesardzību. Nekad neizmantojiet kabeli elektriskā instrumenta pārvietošanai, vilkšanai vai atvienošanai no kontaktligzdas. Sargiet kabeli no karstuma, eļļas, asām malām un kustīgām detaļām.** Bojāti vai savijušies vadi paaugstina strāvas triecienu risku.
- **Lietojot elektrisko instrumentu ārpus telpām, izmantojiet lietošanai ārā piemērotu pagarinātāju.** Lietošanai ārā piemērota pagarinājuma vada izmantošana samazina elektriskās strāvas triecienu risku.
- **Ja no elektriskā instrumenta lietošanas mitros apstākļos nevar izvairīties, izmantojiet paliekošās strāvas ierīci (residual current device — RCD).** Izmantojot RCD, tiek samazināts elektriskās strāvas triecienu risks.

### Personīgā aizsardzība

- **Lietojot elektrisko darbarīku, ievērojiet piesardzību, pārdomājiet savas darbības un rīkojieties saprātīgi. Nelietojiet elektrisko darbarīku noguruma stāvoklī vai narkotiku, alkohola vai zāļu iespaidā.** Īss neuzmanības brīdis darbā ar elektrisko instrumentu var radīt nopietnas traumas.
- **Lietojiet individuālos aizsardzības līdzekļus. Vienmēr lietojiet acu aizsargus.** Individuālo aizsardzības līdzekļu, piemēram, putekļu maskas, aizsargapavu ar neslīdošām zolēm, ķiveres vai dzirdes aizsarglīdzekļu, lietošana attiecīgās apstākļos samazina traumu gūšanas risku.

- **Nepieļaujiet nejašu ierīces ieslēgšanos. Pirms darbarīka pievienošanas strāvas avotam un/vai akumulatora blokam, pacelšanas vai pārvietošanas pārbaudiet, vai slēdzis ir izslēgtā (OFF) stāvoklī.** Elektrisko darbarīku pārvietošana, turot pirkstu uz slēdža, vai darbarīku pieslēgšana barošanai, ja slēdzis ir ieslēgts, var izraisīt negadījumus.
- **Pirms elektriskā darbarīka ieslēgšanas noņemiet regulēšanas atslēgu vai uzgriežņu atslēgu.** Uz elektriskā darbarīka rotējošajām detaļām atstāta uzgriežņu atslēga vai atslēga var radīt traumas.
- **Nesniedzieties pārāk tālu. Vienmēr stāviet stabili un saglabājiet līdzsvaru.** Tādējādi var labāk vadīt elektrisko darbarīku negaidītās situācijās.
- **Attiecīgi apģērbieties. Nevalkājiet vaļīgu apģērbu vai rotaslietas. Nepieļaujiet matu un apģērbu saskari ar kustīgajām daļām.** Vaļīgas drēbes, rotaslietas vai gari mati var iekerties kustīgajās detaļās.
- **Ja komplektācijā ir iekļautas pievienojamas putekļu iesūkšanas ierīces un savākšanas konteineri, pārbaudiet, vai tie ir piestiprināti un tiek pareizi izmantoti.** Putekļu savākšanas līdzekļu izmantošana var samazināt ar tiem saistītos draudus.
- **Nekļūstiet nevērīgs pret darbarīka drošas izmantošanas principiem un neignorējiet tos pat tad, ja bieži izmantojat darbarīkus un esat labi iepazinies ar to darbību.** Neuzmanīgas rīcības dēļ ļoti ātri var gūt nopietnu traumu.
- Vibrāciju emisija elektriskā instrumenta faktiskās izmantošanas laikā var atšķirties no noteiktās kopējās vērtības, kas ir atkarīgs no instrumenta lietošanas veida. Lai pasargātu sevi, operatoriem ir jāzina, kādi drošības pasākumi ir veicami, kas noteikti, balstoties uz iedarbības novērtējumu faktiskās izmantošanas apstākļos (ņemot vērā visas darbības cikla daļas, piemēram, brīdī, kad instruments ir izslēgts, un, kad tas darbojas tukšgaitā, papildus kopā ar blokatoru).

## Elektriskā darbarīka lietošana un uzturēšana

- **Nelietojiet elektrisko darbarīku ar spēku.** Izmantojiet konkrētajam darbam piemērotu elektrisko darbarīku. Izmantojot pareizo elektrisko darbarīku ar tam paredzēto ātrumu, darbu var paveikt labāk un drošāk.
- **Nelietojiet elektrisko darbarīku, ja, nospiežot slēdzi, tas neieslēdzas vai neizslēdzas.** Elektriskais darbarīks, kuru nevar vadīt, izmantojot slēdzi, rada draudus un ir jāremontē.
- **Pirms jebkādu regulēšanas darbu veikšanas, piederumu maiņas vai novietošanas uzglabāšanai atvienojiet kontaktspraudni no strāvas avota un/vai akumulatora bloku no elektriskā darbarīka.** Šādi piesardzības pasākumi samazina nejaušas elektriskā darbarīka palaišanas risku.
- **Novietojiet elektrisko darbarīku, kas darbojas tukšgaitā, bērniem nepieejamā vietā un neļaujiet to lietot personām, kas nepārzina tā lietošanu vai šeit sniegtos norādījumus.** Nonākot rokās lietotājam bez

atbilstošām zināšanām, elektriskie darbarīki ir bīstami.

- **Uzturiet elektriskos darbarīkus labā stāvoklī.** Pārbaudiet kustīgo detaļu salāgojumu un saķēri, bojājumus un jebkādas citas faktorus, kas var ietekmēt elektriskā darbarīka darbību. Ja darbarīks bojāts, pirms tā lietošanas veiciet remontu. Daudzu nelaimes gadījumu iemesls ir slikti uzturēti elektriskie darbarīki.
- **Griezējinstrumenti jāuztur asi un tīri.** Pareizi uzturēti griezējinstrumenti ar asiem asmeņiem retāk saliecas, un tos ir vieglāk vadīt.
- **Lietojiet elektriskos instrumentus, piederumus un asmeņus u.c. detaļas atbilstoši šeit sniegtajiem norādījumiem, ņemot vērā darba apstākļus un veicamos uzdevumus.** Elektriskā darbarīka lietošana neparedzētiem mērķiem var radīt bīstamas situācijas.
- **Rokturiem un turēšanas virsmām ir jābūt sausām, tīrām un uz tām nedrīkst būt eļļas un smērvielas.** Slīdīgi rokturi un turēšanas virsmas traucē drošu darbarīka izmantošanu un vadību negaidītās situācijās.

## Akumulatora rīka lietošana un apkope

- **Uzlādei izmantojiet tikai ražotāja norādīto lādētāju.** Lādētājs, kas ir piemērots vienā tipa akumulatora blokam, var kļūt ugunsbīstams, lietojot to ar cita veida akumulatora bloku.
- **Izmantojiet elektriskos darbarīkus tikai ar tiem paredzētajiem akumulatoru blokiem.** Jebkura cita akumulatora bloka lietošana var radīt traumas un ugunsgrēka risku.
- **Kad akumulatora bloks netiek izmantots, turiet to drošā atstumā no metāla priekšmetiem, piemēram, papīra saspraudēm, monētām, atslēgām, naglām, skrūvēm un citiem nelieliem metāla priekšmetiem, kas var savienot spalles.** Akumulatora spaiļu savienošana var radīt apdegumus vai aizdegšanos.
- **Nepareizi lietojot, no akumulatora var iztecēt šķidrums; izvairieties no saskares ar to. Ja nejaūši notiek saskare, noskalojiet skarto vietu ar lielu daudzumu ūdens. Ja šķidrums iekļūst acīs, vērsieties pēc medicīniskās palīdzības.** No baterijas iztecējis šķidrums var radīt kairinājumu vai apdegumus.
- **Nelietojiet akumulatoru bloku vai darbarīku, ja tas ir bojāts vai pārveidots.** Bojāts vai pārveidots akumulators var darboties neparedzami, izraisot aizdegšanos, eksploziju vai traumu gūšanas risku.
- **Nepakļaujiet akumulatoru bloku vai darbarīku ugunij vai pārmērīgi augstai temperatūrai.** Ja pakļausit iekārtu uguns iedarbībai vai tādas temperatūras iedarbībai, kas pārsniedz 130°C (265°F), var notikt sprādziens.
- **Ņemiet vērā visas uzlādes instrukcijas un nelādējiet akumulatoru bloku vai darbarīku temperatūrā, kas ir ārpus instrukcijās norādītā diapazona.** Nepareiza uzlāde vai uzlāde temperatūrā, kas ir ārpus norādītā

diapazona, var bojāt akumulatoru un palielināt ugunsgrēka risku.

## Apkope

- **Uzticiet elektriskā darbarīka apkopi kvalificētam remontdarbu speciālistam, kas izmanto tikai oriģinālas rezerves daļas.** Tādējādi tiks garantēta elektriskā darbarīka lietošanas drošība.
- **Nekad neveiciet bojātu akumulatoru apkopi.** Akumulatoru apkopi drīkst veikt tikai ražotājs vai pilnvarota apkopes nodrošinātājs.

## Norādījumi par drošību, lietojot dzīvzogu griezēju

- **Raugiet, lai visas ķermeņa daļas atrastos drošā attālumā no asmens. Nenovāciet nogrieztu materiālu un neturiet griežamo materiālu, kad asmeņi kustas.** Asmeņi turpina kustību arī pēc slēdža izslēgšanas. Pat brīdis neuzmanības, strādājot ar dzīvzogu griezēju, var radīt nopietnu savainojumu.
- **Pārnēsājot dzīvzogu griezēju, turiet to aiz roktura, pārnēsājiet to ar apturētu asmeni un uzmanieties, lai nepieskartos barošanas slēdžiem.** Pārnēsājot dzīvzogu griezēju pareizi, samazinās risks to neaušai iedarbināt; pretējā gadījumā asmeņi var radīt traumas.
- **Transportējot vai uzglabājot dzīvzogu griezēju, vienmēr uzlieciet asmeņu pārsegu.** Pareiza rīkošanās ar dzīvzogu griezēju samazinās risku gūt traumas no asmeņiem.
- **Pirms izņemat iestrēgušu materiālu vai veicat ierīces apkopi, pārlicinieties, vai visi barošanas slēdži ir izslēgti un ir atvienots strāvas vads.** Ja dzīvzogu griezējs negaidīti sāk darboties, kamēr izņemat iestrēgušu materiālu vai veicat apkopi, tas var radīt smagas traumas.
- **Satveriet dzīvzogu griezēju tikai aiz izolētās roktura daļas, jo asmens var saskarties ar slēptu vadījumu vai ar vadu.** Asmeņi, saskaroties ar elektrotīklam pieslēgtu vadu, var elektrizēt skartās dzīvzogu griezēja metāla daļas un radīt lietotājam elektriskās strāvas triecienu.
- **Rūpējieties, lai strāvas vadi un kabeļi neatrastos griešanas vietas tuvumā.** Strāvas vadi vai kabeļi dzīvzoga vai krūmos var būt grūti saskatāmi, un tos nejausi var skart asmens.
- **Nelietojiet plašāka darbības diapazona dzīvzogu griezēju siltkos laikapstākļos, jo īpaši tad, ja ir iespējams negaiss.** Tas palielina risku, ka jums varētu iespert zibens.
- **Lai samazinātu risku saņemt nāvējošu strāvas triecienu, nelietojiet plašāka darbības diapazona dzīvzogu griezēju elektrolīniju tuvumā.** Saskaņošanās ar elektrolīnijām vai zāga izmantošana to tuvumā var izraisīt smagas traumas vai nāvējošu strāvas triecienu.
- **Strādājot ar plašāka darbības diapazona dzīvzogu griezēju, vienmēr turiet to ar abām rokām.** Turiet

plašāka darbības diapazona dzīvzogu griezēju ar abām rokām, lai nezaudētu tā vadāmību.

- **Ja plašāka darbības diapazona dzīvzogu griezējs strādājot ir jātur virs galvas, vienmēr izmantojiet galvas aizsarglīdzekļus.** Kritīši gruzi var izraisīt nopietnas traumas.

## Vispārīgi norādījumi par drošību



**BRĪDINĀJUMS:** Pirms sākat lietot izstrādājumu, izlasiet tālāk izklāstītās brīdinājuma instrukcijas.

- Lai novērstu izstrādājuma neaušas iedarbināšanas risku, izņemiet akumulatoru.
- Šis izstrādājums ir bīstams rīks, ja ar to nerīkojas uzmanīgi vai ja to lieto nepareizi. Šis izstrādājums var izraisīt smagas vai nāvējošas traumas operatoram vai citām personām.
- Neizmantojiet izstrādājumu, ja tā sākotnējā specifikācija ir mainīta. Nemainiet izstrādājuma detaļas bez ražotāja apstiprinājuma. Izmantojiet tikai tādas detaļas, ko ir apstiprinājis ražotājs. Veicot nepareizu apkopi, var tikt radītas smagas vai nāvējošas traumas.
- Pirms lietošanas veiciet produkta pārbaudi. Sk. *Izstrādājuma drošības ierīces lpp. 289 un Apkope lpp. 295.* Nelietojiet defektīvu izstrādājumu. Ievērojiet šajā rokasgrāmatā aprakstītās drošības pārbaudes, tehniskās apkopes un remonta instrukcijas.
- **Nelaujiet bērniem rotāļties ar izstrādājumu.** Nekādā gadījumā nelaujiet bērniem vai citām atbilstoši neapmācītām personām strādāt ar izstrādājumu, mainīt akumulatoru vai veikt tehnisko apkopi. Minimālais lietotāju vecums var būt noteikts ar vietējās likumdošanas aktiem.
- Glabājiet izstrādājumu norobežotā vietā, lai novērstu to, ka tam var piekļūt bērni vai personas, kam tas nav atļauts.
- Glabājiet izstrādājumu bērniem nepieejamā vietā.
- Nekādā gadījumā bez ražotāja atļaujas nedrīkst mainīt šī izstrādājuma konstrukciju. Vienmēr izmantojiet oriģinālos piederumus. Neatļautas izmaiņas un/vai neatļauti piederumi var radīt nopietnas vai nāvējošas traumas operatoram un citām personām.

**Piezīme:** Uz lietošanu var attiekties valsts vai vietējie tiesību akti. Ievērojiet norādītos noteikumus.

## Darba drošības norādījumi



**BRĪDINĀJUMS:** Pirms sākat lietot šo izstrādājumu, izlasiet zemāk izklāstītos brīdinājumus.

- Ja ir radusies situācijā, kurā nezināt, kā rīkoties, lūdziet padomu speciālistam. Sazinieties ar

izplatītāju vai apkopes darbnīcu. Izvairieties no lietošanas paņēmieniem, kurus nepārvaldāt.

- Nekādā gadījumā neizmantojiet izstrādājumu, ja esat noguris, lietojis alkoholu, vielas vai medikamentus, kas var ietekmēt redzi, modrību, koordināciju vai spriestspēju.
- Darbs sliktos laikapstākļos ir nogurdinošs un bieži rada papildu risku. Paaugstināta riska dēļ nav ieteicams izmantot izstrādājumu ļoti sliktos laikapstākļos, piemēram, biežā miglā, stiprā lietū, spēcīgā vējā, lielā aukstumā, negaisa laikā un tam līdzīgiem apstākļos.
- Bojāta griešanas ierīce var palielināt nelaimes gadījumu risku.
- Neļaujiet bērniem lietot šo izstrādājumu vai uzturēties tā tuvumā. Tā kā produktu ir vienkārši iedarbināt, bērni to var nejuši iedarbināt. Tas var radīt smagu traumu. Ja produktu glabājat nomaļus, vienmēr atvienojiet akumulatoru.
- Strādājot sekojiet, lai nevienš cilvēks vai dzīvnieks neatrastos jūsu darba vietai tuvāk par 15 metriem. Ja vairāki operatori strādā vienā darba vietā, drošības attālumam starp tiem jābūt ne mazākam par 15 metriem. Citādi var tikt radīta smaga trauma. Ja kāds tuvojās, nekavējoties apturiet izstrādājumu. Nekad nevēžējiet izstrādājumu, pirms neesat paskatīties atpakaļ un pārliecinājies, ka drošības zonā neviena nav.
- Nodrošiniet, lai cilvēki, dzīvnieki un citi apstākļi neietekmē izstrādājuma vadību, un tie nesaskaras ar griešanas ierīci vai nestāv ceļā priekšmetiem, ko var izsviest griešanas ierīce. Nelietojiet izstrādājumu, ja nelaimes gadījumā nav iespējams izsaukt palīdzību.
- Vienmēr pārbaudiet darba zonu. Novāciet visus citus nenostiprinātus priekšmetus, piemēram, akmeņus, stikla lauskas, naglas, metāla stiepli, auklas u. c., kas var tikt izsviestas, vai aptīnīes ap griešanas ierīci.
- Pārliecinieties, vai varat droši pārvietoties un stāvēt. Pārbaudiet, vai tuvumā nav šķēršļu (saknes, akmeņi, zari, bedres utt.), kas var traucēt, ja piepeši nepieciešams pārvietoties. Ievērojiet īpašu piesardzību, strādājot nogāzēs.
- Vienmēr turiet līdzsvaru un stāviet stabili. Nesniedzieties pārāk tālu.
- Pirms pārvietošanās uz citu vietu izslēdziet izstrādājumu. Kad izstrādājums netiek izmantots, uzlieciet transportēšanas aizsargu.
- Nekad nenolieciet izstrādājumu, kamēr neesat to izslēdzis. Neatstājiet izstrādājumu bez uzraudzības, kad tas ir ieslēgts.
- Izņemiet akumulatoru, pirms nododat izstrādājumu citai personai.
- Gādājiet, lai aktivizēta izstrādājuma griešanas ierīce nesaskartos ar apgērību vai ķermeņa daļām.
- Ja griešanas ierīcē rodas nosprostojums izstrādājuma darbības laikā, apturiet un izslēdziet izstrādājumu. Pārliecinieties, ka griešanas ierīce pilnībā apstājas. Pirms izstrādājuma un/vai

griešanas ierīces tīrīšanas, pārbaudes vai remontēšanas izņemiet akumulatoru.

- Pēc izstrādājuma izslēgšanas netuviniet plaukstas un pēdas griešanas ierīcei, līdz tā ir pilnībā apstājusies.
- Uzmanieties no zaru gabaliņiem, kas tiek izmesti griešanas laikā. Negrieziet pārāk tuvu zemei, kur var tikt izsviesti akmeņi un citi priekšmeti.
- Sargieties no izsviestiem priekšmetiem. Vienmēr lietojiet apstiprinātus acu aizsarglīdzekļus. Nekad nepārliecieties pār griešanas ierīces aizsargu. Akmeņi, gruži un citi priekšmeti var tikt izsviesti un iekļūt acīs, izraisot aklumu vai nopietnas traumas.
- Lietojot dzirdes aizsarglīdzekļus, vienmēr uzmanīgi klausieties, lai sadzirdētu brīdinājumu signālus vai saucienus. Kad produkts apstājas, vienmēr noņemiet dzirdes aizsarglīdzekļus.
- Nekad nestrādājiet, stāvot uz trepēm vai paliktņā vai kāda cita nenostiprināta paaugstinājuma.
- Šī ierīce darbības laikā rada elektromagnētisko lauku. Noteiktos apstākļos šis lauks var traucēt aktīvā vai pasīvā medicīniskā implanta darbību. Lai mazinātu risku gūt smagus vai dzīvībai bīstamus ievainojumus, personām ar medicīnisko implantu pirms ierīces ekspluatācijas iesakām konsultēties ar savu ārstu un medicīniskā implanta ražotāju.
- Vienmēr turiet izstrādājumu ar abām rokām. Turiet izstrādājumu ķermeņa labajā pusē.
- Pirms noņemat materiālu, kas ir aptīnīes ap asmens vārpsu vai iestrēdzis starp aizsargu un griešanas ierīci, obligāti apturiet izstrādājumu, izņemiet akumulatoru un pārliecinieties, vai griešanas aprikojums nerotē.
- Elektromagnētiskais lauks izstrādājuma darbības laikā var radīt aktīvo vai pasīvo medicīnas implantu darbības traucējumus. Personām ar medicīnas implantiem pirms šī izstrādājuma izmantošanas ir jākonsultējas ar ārstu un medicīnas implanta ražotāju.
- Lai ar izstrādājumu būtu viegli strādāt, izmantojiet tā drošības jostu.
- Ilgstoša uzturēšanās troksnī var radīt būtiskus dzirdes bojājumus. Husqvarna operatoriem iesaka izmantot apstiprinātus dzirdes aizsarglīdzekļus.
- Nekādā gadījumā nelietojiet izstrādājumu, kas ir pārveidots neatbilstoši sākotnējai specifikācijai.
- Nekad nelietojiet bojātu izstrādājumu. Ievērojiet šajā rokasgrāmatā aprakstītās drošības pārbaudes, tehnikās apkopes un remonta norādījumus. Dažus apkopes un remonta darbus drīkst veikt tikai apmācīti un kvalificēti speciālisti. Skatiet instrukcijas nodaļā par koppi.
- Pirms lietošanas veiciet vispārēju izstrādājuma pārbaudi. Skatiet apkopes grafiku.
- Nekad neļaujiet citām personām izmantot plaujmašīnu, ja šīs personas nav izlasījušas un izpratušas lietotāja rokasgrāmatā sniegto informāciju.



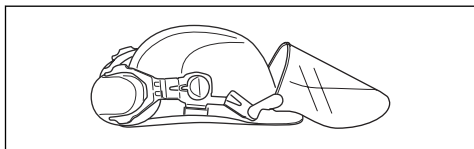
- Pārļiecinieties, vai darba zonā nav svešķermeņu, piemēram, elektrības kabelu, dzīvnieku utt. vai citu objektu, kas varētu sabojāt griešanas palīgierīci, piemēram, metāla priekšmetu.
- Nepareizi asmeņi var palielināt nelaiemes gadījumu risku.

## Individuālie aizsarglīdzekļi

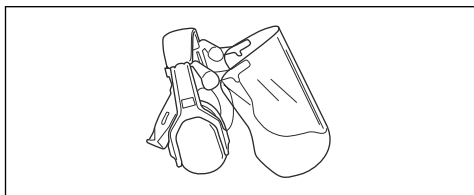


**BRĪDINĀJUMS:** Pirms sākat lietot šo izstrādājumu, izlasiet tālāk izklāstītos brīdinājumus.

- Izmantojot izstrādājumu, vienmēr lietojiet apstiprinātus individuālos aizsarglīdzekļus. Šādi līdzekļi nevar pilnībā novērst traumu gūšanas risku, taču samazina traumu smaguma pakāpi, ja negadījums tomēr notiek. Ļaujiet izplatītājam palīdzēt jums izvēlēties pareizo aprīkojumu.
- Izmantojiet aizsargķiveri, ja pastāv krītošu priekšmetu draudi.



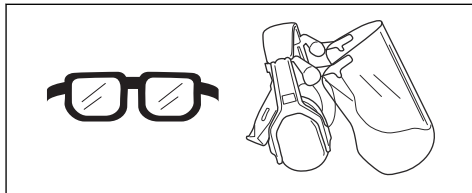
- Ilgstoša uzturēšanās troksnī var bojāt dzirdi. Ar akumulatoriem darbināmas ierīces kopumā ir salīdzinoši klusas, taču bojājumus var radīt trokšņa līmenis apvienojumā ar ilgstošu iedarbību. Husqvarna iesaka operatoriem lietot dzirdes aizsarglīdzekļus, ja ierīce tiek lietota ilgstošāk dienas gaitā. Ja lietotājs ar ierīci strādā ilgstoši un regulāri, viņam ir regulāri jāpārbauda dzirde.



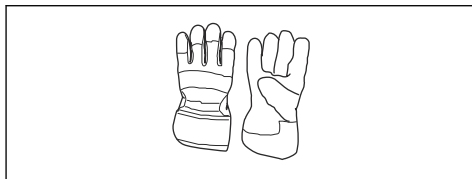
**BRĪDINĀJUMS:** Dzirdes aizsarglīdzekļi ierobežo iespēju dzirdēt skaņas un brīdinājuma signālus.

- Izmantojiet apstiprinātus acu aizsarglīdzekļus. Apstiprinātas aizsargbrilles ir jālieto arī tad, ja tiek izmantots sejsēgs. Apstiprinātas aizsargbrilles ir

tādas, kas atbilst ASV standarta ANSI Z87.1 ASV vai standarta EN 166 prasībām ES valstīs.



- Vajadzības gadījumā izmantojiet cimdus, piemēram, piestiprinot, pārbaudot vai tīrot griešanas ierīci.



- Lietojiet izturīga auduma apģērbu. Vienmēr valkājiet biezas, garas bikses un apģērbu ar garām piedurknēm. Nevalkājiet vaļīgu apģērbu, kas viegli var iekerties krūmos un zaros. Nenēsājiet rotaslietas, nevelciet šortus, sandales un nestrādājiet basām kājām. Sakārtojiet matus droši virs pleciem.
- Gādājiet, lai tuvumā būtu pirmās palīdzības piederumi.



## Izstrādājuma drošības ierīces



**BRĪDINĀJUMS:** Pirms sākat lietot izstrādājumu, izlasiet tālāk izklāstītās brīdinājuma instrukcijas.

Šajā sadaļā ir izskaidrota izstrādājuma drošības aprīkojuma nozīme, tā mērķis un veidi, kā tiek veikta tā pārbaude un apkope, lai garantētu drošības aprīkojuma pareizu darbību. Lai noskaidrotu, kurā izstrādājuma vietā atrodas šīs daļas, skatiet norādījumus sadaļā *Izstrādājuma pārskats lpp. 283.*

Šī izstrādājuma darbmūžs var saīsināties un var palielināties nelaiemes gadījumu risks, ja izstrādājuma apkope netiek veikta pareizi un ja apkope un/vai remonts netiek veikts profesionāli. Ja nepieciešama papildu informācija, lūdz, sazinieties ar tuvāko izplatītāju, kas nodrošina apkopi.

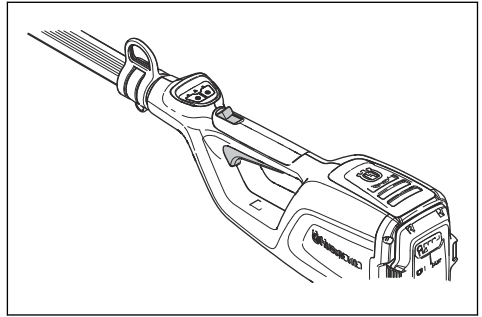


**BRĪDINĀJUMS:** Nekādā gadījumā nelietojiet izstrādājumu ar bojātu drošības aprīkojumu. Izstrādājuma drošības

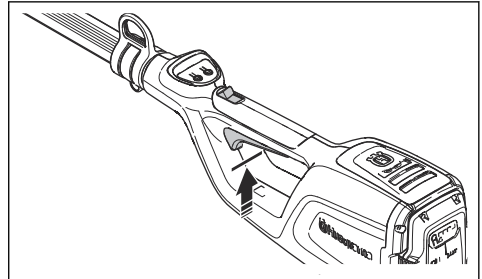
aprikojums ir jāpārbauda un jāuztur, pamatojoties uz šajā nodaļā izklāstīto informāciju. Ja izstrādājums neatbilst iepriekš aprakstīto pārbaudu prasībām, sazinieties ar vietējo remontdarbniecu, lai izstrādājumu saremontētu.



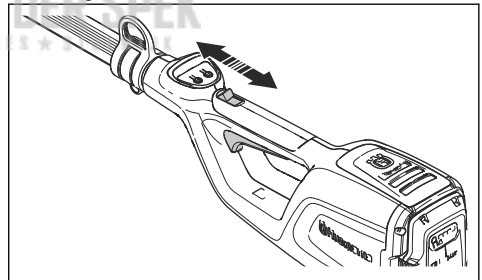
**IEVĒROJIET:** Izstrādājuma apkopi un remontu drīkst veikt tikai īpaši apmācīti tehniķi. Tas jo īpaši attiecas uz izstrādājuma drošības aprikojumu. Ja izstrādājums neatbilst zemāk aprakstīto pārbaudu prasībām, sazinieties ar apkopes pakalpojumu nodrošinātāju. Jebkura mūsu izstrādājuma iegāde garantē profesionāla remonta un apkopes pieejamību. Ja mazumtirgotājs, pie kura iegādājāties izstrādājumu, nav apkopi veicošs izplatītājs, uzziniet no viņa tuvākā apkopes veicēja adresi.



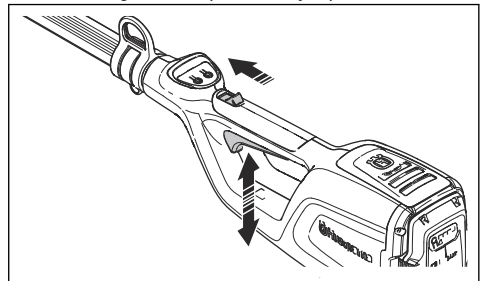
1. Pārbaudiet, vai piedziņas mēlīte ir noblokēta, kad bloķētājs ir sākumstāvoklī.



2. Pavelciet un atlaidiet bloķētāju un pārliecinieties, vai tas atgriežas sākumstāvoklī.



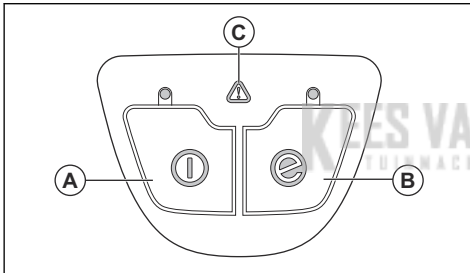
3. Pārbaudiet, vai piedziņas mēlīte un bloķētājs kustas brīvi un atgriezes atspere darbojas pareizi.



4. Ieslēdziet izstrādājumu (sk. *Izstrādājuma iedarbināšana lpp. 294*).

### Tastatūras pārbaude

1. Nospiediet un turiet nospiestu iedarbināšanas/izslēgšanas pogu (A).



- a) Izstrādājums ir ieslēgts, ja deg LED indikators.
- b) Izstrādājums ir izslēgts, ja neded LED indikators.

2. Informāciju par SavE pogas (B) funkciju skatiet *SavE funkcijas ieslēgšana lpp. 294*.
3. Skatiet *Problēmu novēršana lpp. 296*, ja brīdinājuma indikators (C) ir iedegts vai mirgo.

### Piedziņas mēlītes bloķētāja pārbaude

Piedziņas mēlītes bloķētājs aizsargā pret nejaušu iedarbināšanu. Atlaižot rokturi, piedziņas mēlīte un piedziņas mēlītes bloķētājs atgriežas sākuma pozīcijā.

5. Palieliniet ātrumu līdz maksimālajam ātrumam.
6. Atļaidiet piedziņas mēlīti un pārbaudiet, vai griešanas ierīce pilnībā apstājas.

## Akumulatora drošība



**BRĪDINĀJUMS:** Pirms sākat lietot šo izstrādājumu, izlasiet tālāk izklāstītos brīdinājumus.

- Ieteicamais akumulators ir BLi10. Skatiet: *Tehniskie dati lpp. 298*. Akumulatoram ir programmatūras šifrējums.
- Kā barošanas avotu izmantojiet BLi10 uzlādējamo akumulatoru, kas paredzēts tikai saistītajiem Husqvarna produktiem. Lai nepieļautu traumu gūšanas risku, akumulatoru nedrīkst izmantot kā citu izstrādājumu strāvas avotu.
- Elektriskās strāvas trieciena risks. Nesavienojiet akumulatora spaiļes ar atslēgām, monētām, skrūvēm vai citiem metāla priekšmetiem. Tas var izraisīt akumulatora īssavienojumu.
- Nelietojiet vienreiz lietojamās baterijas.
- Neievietojiet nekādus priekšmetus akumulatora gaisa atverēs.
- Neglabājiet akumulatoru vietās, ka ir pakļautas tiešai saulesgaismai, karstumam vai atklātām liesmām. Akumulators var radīt apdegumus un/vai ķīmiskos apdegumus.
- Akumulatoru nedrīkst pakļaut lietus un mitruma ietekmei.
- Akumulatoru nedrīkst pakļaut mikroviļņu un augsta spiediena ietekmei.
- Akumulatoru nedrīkst izjaukt vai saspīest.
- Ja rodas akumulatora noplūde, neļaujiet šķidrumam nonākt saskarē ar ķermeni vai acīm. Ja pieskaraties šķidrumam, nomazgājiet skarto vietu ar lielu daudzumu ūdens un ziepēm un meklējiet medicīnisko palīdzību. Ja šķidrums nonāk acīs, neberzējiet tās, bet vismaz 15 minūtes skalojiet ar ūdeni un saņemiet medicīnisku palīdzību.
- Akumulatoru drīkst temperatūrā no -10 °C (14 °F) līdz 40 °C (114 °F).
- Netīriet akumulatoru un tā lādētāju ar ūdeni. Skatiet: *Produkta, akumulatora un akumulatora lādētāja tīrīšana lpp. 296*.
- Nelietojiet defektīvu vai bojātu akumulatoru.
- Uzglabājiet akumulatorus vietā, kur tuvumā nav metāla priekšmetu, piemēram, naglu, skrūvju vai rotaslietu.
- Sargiet akumulatoru no bērniem.

## Akumulatora lādētāja drošības norādes



**BRĪDINĀJUMS:** Pirms sākat lietot šo izstrādājumu, izlasiet tālāk izklāstītos brīdinājumus.

- Ja drošības instrukcijas netiek ievērotas, pastāv elektriskās strāvas trieciena vai īssavienojuma risks.
- Neizmantojiet citus akumulatoru lādētājus, izņemot jūsu izstrādājumam paredzēto. Ieteicamais lādētājs akumulatora BLi10 uzlādei ir QC80.
- Nemēģiniet demontēt akumulatora lādētāju.
- Nelietojiet defektīvu vai bojātu akumulatora lādētāju.
- Nevelciet akumulatora lādētāju aiz strāvas vada. Lai akumulatora lādētāju atvienotu no elektrootīkla kontaktligzdas, izraujiet kontaktdakšu. Nevelciet aiz strāvas vada.
- Uzmanieties, lai vadi un pagarinātāji nesaskartos ar ūdeni, eļļu un asām malām. Nodrošiniet, lai kabelis netiktu iespiests starp priekšmetiem, piemēram, durvis, nožogojumos vai līdzīgās konstrukcijās.
- Nelietojiet akumulatora lādētāju viegli uzliesmojošu materiālu vai materiālu, kas var izraisīt koroziju, tuvumā. Pārliecinieties, vai akumulatora lādētājs nav pārsegts. Ja konstatējat dūmus vai uguni, izraujiet akumulatora lādētāja kontaktdakšu.
- Lādējiet akumulatoru tikai telpās, kur ir laba gaisa plūsma un kur tas nav pakļauts saules gaismai. Nelādējiet akumulatoru ārpus telpām. Nelādējiet akumulatoru mitrumā.
- Akumulatora lādētāju izmantojiet tikai vietās, kur temperatūra ir no 5 °C (41 °F) līdz 40 °C (104 °F). Izmantojiet lādētāju labi vēdināmā un sausā vietā, kur nav putekļu.
- Neievietojiet nekādus priekšmetus akumulatora lādētāja dzesēšanas atverēs.
- Nekādā gadījumā akumulatora lādētāja spaiļes nesavienojiet ar metāla priekšmetiem, jo tas var izraisīt akumulatora lādētāja īssavienojumu.
- Izmantojiet apstiprinātas kontaktligzdas, kas nav bojātas. Pārliecinieties, vai akumulatora lādētāja vads nav bojāts. Ja tiek izmantoti pagarinātāji, pārliecinieties, vai tie nav bojāti.

## Norādījumi par drošu apkopi



**BRĪDINĀJUMS:** Pirms veicat produkta apkopi, izlasiet brīdinājuma norādījumus.

- Noņemiet akumulatoru, pirms veicat apkopi, citas pārbaudes vai montējat produktu.
- Operators drīkst veikt tikai šajā lietotāja rokasgrāmatā norādītos apkopes un servisa darbus. Par plašākiem apkopes un servisa darbiem sazinieties ar jūsu apkopes nodrošinātāju.
- Netīriet akumulatoru un tā lādētāju ar ūdeni. Spēcīgs mazgāšanas līdzeklis var radīt plastmasas bojājumus.
- Neveicot apkopi, samazinās produkta dzīves cikls un palielinās nelaimes gadījumu risks.
- Īpaša apmācība ir nepieciešama visiem apkopes un remontdarbiem, jo īpaši šī produkta drošības ierīcēm. Ja visas šajā lietotāja rokasgrāmatā norādītās pārbaudes netiek apstiprinātas pēc apkopes

veikšanas, sazinieties ar apkopes nodrošinātāju.

Mēs garantējam profesionālu remontdarbu un apkopes pieejamību jūsu produktam.

- Asmens zobiem ir jābūt pareizi uzasinātiem! Ievērojiet mūsu ieteikumus. Izlasiet arī norādījumus uz asmens iepakojuma.

- Vienmēr izmantojiet tikai oriģinālās detaļas.
- Labojot griešanas ierīci, noteikti izmantojiet izturīgus cimdus. Asmeņi ir ļoti asi, tāpēc ļoti vienkārši var gūt traumas.

## Montāža

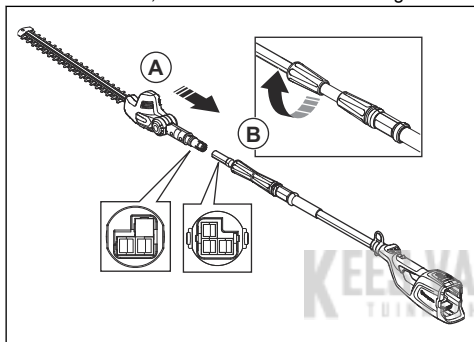
### Ievads



**BRĪDINĀJUMS:** Pirms izstrādājuma montāžas izlasiet un izprotiet drošības norādījumus.

### Kāta montāža

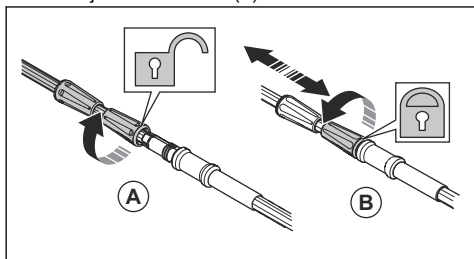
1. Pārliedziniet, ka elektriskie kontakti ir salāgoti.



2. Pilnībā savienojiet kāta (A) galus.
3. Pievelciet dzīvzogu griezēja galviņas pusē esošo skrūvējamo kāta rokturi (B).

### Kāta garuma regulēšana

1. Atskrūvējiet akumulatora korpusa pusē esošo skrūvējamo kāta rokturi (A).

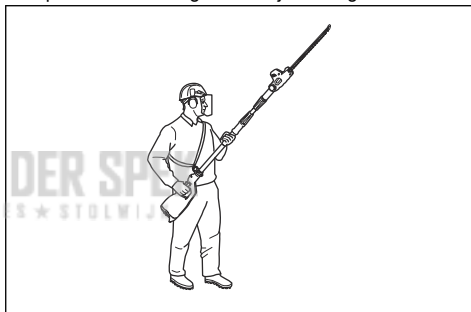


2. Noregulējiet kātu piemērotā pozīcijā.
3. Pievelciet skrūvējamo rokturi (B).

### Uzkabes regulēšana

Lietojot izstrādājumu, vienmēr izmantojiet stiprinājuma siksnu. Drošības josta sniedz maksimālu kontroli pār izstrādājumu tā lietošanas laikā. Drošības josta mazina roku un muguras noguršanas risku.

1. Uzlieciet uzkabes.
2. Piestipriniet izstrādājumu drošības jostas āķim.
3. Noregulējiet drošības jostas garumu tā, lai āķis ir apmēram vienā augstumā ar jūsu labo gurnu.



# Lietošana

## levads



**BRĪDINĀJUMS:** Pirms produkta lietošanas izlasiet un izprotiet drošības norādījumus.

## Darbības, kas jāveic pirms izstrādājuma iedarbināšanas

1. Pārbaudiet darba zonu. Novāciet priekšmetus, kas var tikt izmesti.
2. Pārbaudiet griešanas ierīci. Pārļiecinieties, vai asmeņi ir asi, nav saplaisājuši vai bojāti.
3. Pārbaudiet, vai produkts darbojas pareizi. Pārbaudiet vai visas skrūves un uzgriežņi ir pievilkti.
4. Pārļiecinieties, vai rokturis un drošības ierīces nav bojātas un ir pareizi piestiprinātas. Neizmantojiet izstrādājumu, ja tam trūkst kādas daļas vai ir mainīta tā sākotnējā specifikācija. Kad nepieciešams, izmantojiet aizsargcimdus.
5. Pirms izstrādājuma izmantošanas pārļiecinieties, vai aizsargi nav bojāti un ir pareizi piestiprināti.

## Akumulatora lādētāja pievienošana

1. Pieslēdziet akumulatora lādētāju atbilstoši spriegumam un frekvencei, kas ir norādīta uz nominālu plāksnītes.
2. Ievietojiet kontaktdakšu zemētā kontaktlīzdā. Vienreiz iemigrosies akumulatora lādētāja zaļais LED indikators.

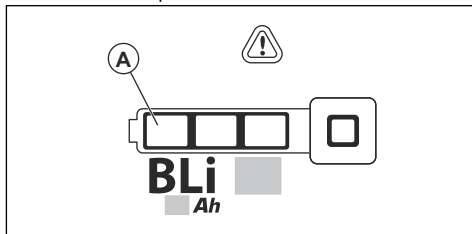
**Piezīme:** Akumulators netiek lādēts, ja tā temperatūra pārsniedz 50 °C/122 °F. Ja temperatūra pārsniedz 50 °C/122 °F, akumulatora lādētājs pirms uzlādes atdzesē akumulatoru.

## Akumulatora pievienošana pie lādētāja

**Piezīme:** Ja akumulatoru lietojat pirmo reizi, uzlādējiet to. Jauns akumulators ir uzlādēts tikai par 30%.

1. Pārļiecinieties, vai akumulators ir sauss.
2. Pievienojiet akumulatoru pie lādētāja.
3. Pārļiecinieties, vai iedegas akumulatora lādētāja zaļais uzlādes indikators. Tas nozīmē, ka akumulators ir pareizi savienots ar akumulatora lādētāju.

4. Kad deg visi akumulatora LED indikatori (A), akumulators ir pilnībā uzlādēts.



5. Lai akumulatora lādētāju atvienotu no elektrotīkla kontaktlīzdā, izraujiet kontaktdakšu. Nevelciet aiz strāvas vada.
6. Izņemiet akumulatoru no lādētāja.

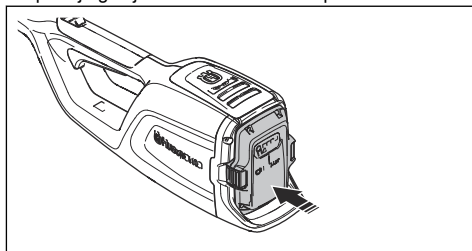
**Piezīme:** Lai iegūtu papildinformāciju, skatiet akumulatora un akumulatora lādētāja rokasgrāmatas.

## Akumulatoru savienošana ar produktu



**BRĪDINĀJUMS:** Produktā izmantojiet tikai Husqvarna oriģinālos akumulatorus.

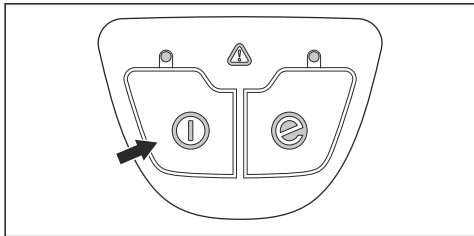
1. Pārļiecinieties, vai akumulators ir pilnībā uzlādēts.
2. Ievietojiet akumulatoru izstrādājuma akumulatora turētājā. Akumulatoram ir viegli jāiebīdās turētājā, pretējā gadījumā tas nav uzstādīts pareizi.



3. Piespiediet akumulatora apakšējo daļu un pilnībā iebīdiet to akumulatora turētājā. Atskanot klikšķim, akumulators automātiski nofiksējas.
4. Pārļiecinieties, ka aizturi pareizi nofiksējas tiem paredzētajā vietā.

## Izstrādājuma iedarbināšana

1. Nospiediet un turiet ieslēgšanas/apturēšanas pogu, līdz iedegas zaļais LED indikators.



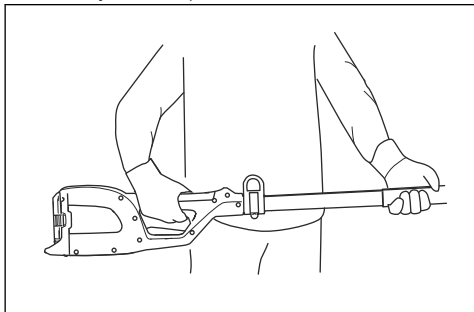
2. Izvelciet piedziņas mēlītes bloķētāju uz aizmuguri un turiet piedziņas mēlīti.

## Produkta darbināšana

- Apgriezot dzīvzoga malas, virziet izstrādājumu no dzīvzoga apakšas uz augšu.



- Lai nodrošinātu stabilu darba pozīciju, turiet izstrādājumu tuvu ķermenim.

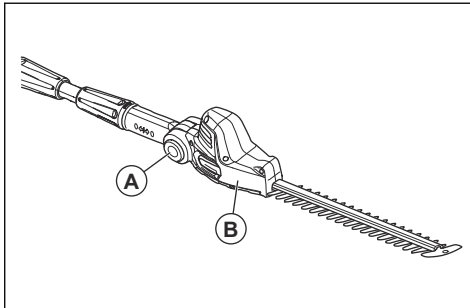


- Raugieties, griešanas aprikojuma gals nepieskartos zemei.
- Esiet uzmanīgs un strādājiet lēnām, līdz tiek pareizi nogriezti visi zari.

## Griešanas ierīces leņķa regulēšana

Griešanas ierīci var noregulēt 7 dažādās pozīcijās.

1. Apturiet izstrādājumu un izņemiet akumulatoru.

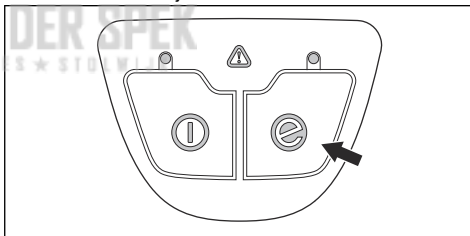


2. Cieši satveriet korpusu (B).
3. Iespiediet un turiet fiksēšanas pogas (A) abās korpusa (B) pusēs.
4. Pavirziet griešanas ierīci atbilstošā leņķī.
5. Atļaidiet fiksēšanas pogas (A) abās pusēs.
6. Virziet korpusu (B) uz augšu un uz leju, līdz griešanas ierīce nofiksējas pozīcijā.

## SavE funkcijas ieslēgšana

Šim izstrādājumam ir SavE funkcija. SavE funkcija nodrošina ilgāku darba laiku no akumulatora.

1. Nospiediet SavE pogu. LED indikators iedegas, norādot uz funkcijas aktīvu stāvokli.



2. Nospiediet pogu SavE vēlreiz, lai pārtrauktu izmantot SavE funkciju.

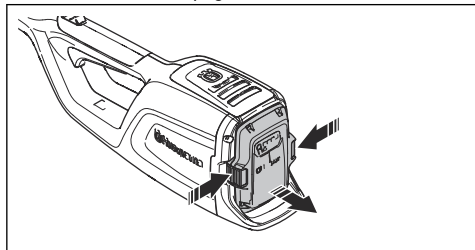
## Automātiskās izslēgšanas funkcija

Izstrādājumam ir automātiska izslēgšanas funkcija, kas aptur izstrādājumu, ja tas netiek izmantots. Nodziest zaļais LED indikators ar iedarbināšanas/apturēšanas indikāciju, un izstrādājuma darbība tiek apturēta pēc 60 sekundēm.

## Izstrādājuma izslēgšana

1. Atļaidiet piedziņas mēlīti.
2. Nospiediet un turiet iedarbināšanas/izslēgšanas pogu, līdz izslēdzas zaļais LED indikators.

3. Izņemiet akumulatoru no izstrādājuma. Nospiediet abas atbrīvošanas pogas un izvelciet akumulatoru.



## Apkope

### Ievads



**BRĪDINĀJUMS:** Pirms izstrādājuma apkopes veikšanas izlasiet un izprotiet sadaļu par drošības pasākumiem.



**BRĪDINĀJUMS:** Pirms veicat izstrādājuma apkopi, izņemiet akumulatoru.

### Apkopes grafiks

Tālāk ir redzams produkta apkopes darbību saraksts.

Apkope	Pirms izmantošanas	Reizi nedēļā	Reizi mēnesī
Notīriet izstrādājuma ārējās daļas.	X		
Pārbaudiet, vai iedarbināšanas/apturēšanas slēdzis darbojas pareizi un nav bojāts.	X		
Pārbaudiet, vai piedziņas mēlīte un piedziņas mēlītes bloķēšanas funkcija darbojas pareizi un atbilstoši drošības noteikumiem.	X		
Pārbaudiet, ka visas vadības ierīces darbojas un nav bojātas.	X		
Pārbaudiet, vai griezēja asmenī un griezēja aizsargā nav plaisu un bojājumu. Ja griezēja asmenī vai griezēja aizsargā ir plaisas vai ja tie ir saņēmuši triecienu, nomainiet tos.	X		
Ja griezēja asmens ir ieliekts vai bojāts, nomainiet to.	X		
Pārbaudiet, vai skrūves un uzgriežņi ir stingri pievilkti.	X		
Pārbaudiet, vai akumulators nav bojāts.	X		
Pārbaudiet, vai akumulators ir uzlādēts.	X		
Pārbaudiet, vai akumulatora lādētājs nav bojāts.	X		
Pārbaudiet, vai skrūves, kas satur griezēja asmeņus kopā, ir pareizi pievilktas.		X	
Pārbaudiet savienojumus starp akumulatoru un izstrādājumu. Pārbaudiet savienojumu starp akumulatoru un akumulatora lādētāju.			X

## Akumulatora un akumulatora lādētāja pārbaude

1. Pārbaudiet, vai akumulators nav bojāts, piemēram, vai tajā nav plaisu.
2. Pārbaudiet, vai akumulatora lādētājs nav bojāts, piemēram, vai tajā nav plaisu.
3. Pārlicinieties, vai akumulatora lādētāja savienojuma vads nav bojāts un vai tajā nav plaisu.

## Produkta, akumulatora un akumulatora lādētāja tīrīšana

1. Pēc lietošanas tīriet produktu ar sausu drānu.
2. Tīriet akumulatoru un akumulatora lādētāju ar sausu drānu. Akumulatora vadotnes sliedēm ir vienmēr jābūt tīrām.
3. Pārlicinieties, vai akumulatora un akumulatora lādētāja spaiļes ir tīras, pirms akumulators tiek ievietots akumulatora lādētājā vai produktā.

## Griezēja asmens pārbaude

1. Pirms un pēc izstrādājuma izmantošanas notīriet no griezēja asmeņiem nevēlamos materiālus ar pretkorozijas tīrīšanas līdzekli.
2. Pārbaudiet, vai griezēja asmens malas nav bojātas vai deformētas.

3. Lai likvidētu griezēja asmens atskarpes, izmantojiet vīli.
4. Pārlicinieties, vai griezēja asmeņi rotē brīvi.

## Asmeņu tīrīšana un ieeļļošana

1. Pirms un pēc izstrādājuma izmantošanas notīriet no tā asmeņiem nevēlamos materiālus.
2. Pirms ilga uzglabāšanas perioda ieeļļojiet asmeņus.

**Piezīme:** Lai iegūtu plašāku informāciju par ieteicamajiem tīrīšanas līdzekļiem un smērvielām, sazinieties ar izplatītāju, kas nodrošina apkopi.

## Pārnesumkārbas (reduktora) ieeļļošana

Ja pārnesumkārbu ir noņēmis apstiprināts izplatītājs, kas nodrošina apkopi, ieziediet pārnesumkārbas (reduktora) karteri ar smērvielu.

- Lietojiet īpašo Husqvarna smērvielu. Lai iegūtu plašāku informāciju par ieteicamo smērvielu, sazinieties ar izplatītāju, kas nodrošina apkopi.
- Izmantojiet tikai nelielu daudzumu kvalitatīvas speciālās smērvielas.



**IEVĒROJIET:** Nepiepildiet pārnesumkārbas (reduktora) karteri pilnībā.

## Problēmu novēršana

### Tastatūra

LED ekrāns	Iespējamās kļūmes	Iespējamie risinājumi
Mirgo kļūdu LED indikators.	Pārslodze	Griešanas ierīce nevar brīvi kustēties. Atbrīvojiet griešanas ierīci.
Produkts nesāk darboties.	Akumulatora savienotājos iekļuvuši neīrumi.	Notīriet akumulatora savienotājus, izmantojot saspiestu gaisu vai mīkstu suku.
Kļūdu LED indikators iedegas sarkanā krāsā.	Ir nepieciešams veikt izstrādājuma apkopi	Sazinieties ar apkopes sniedzēju.

### Akumulators

LED indikatoru displejs	Iespējamās kļūmes	Iespējamā rīcība
LED indikators mirgo zaļā krāsā	Akumulators izlādējies.	Uzlādējiet akumulatoru.
Mirgo kļūdu LED indikators.	Temperatūras nobīde.	Akumulatoru drīkst izmantot temperatūrā no -10°C (14°F) līdz 40°C (104°F).
	Pārāk liels spriegums.	Pārbaudiet, vai tīkla spriegums atbilst tam, kas norādīts uz izstrādājuma datu plāksnītes. Izņemiet akumulatoru no lādētāja.



LED indikatoru displejs	Iespējamās kļūmes	Iespējamā rīcība
Deg kļūdu LED indikators.	Pārāk liela elementu atšķirība (1 V).	Sazinieties ar vietējo apkopes sniedzēju.

## Akumulatora lādētājs

Problēma	Iespējamās kļūmes	Iespējamais risinājums
Mirgo sarkans kļūdu LED indikators.	Temperatūras nobīde.	Izmantojiet akumulatora lādētāju temperatūrā no 5 °C (41 °F) līdz 40 °C (104 °F).
Iedegas sarkans kļūdu LED indikators.	Pārāk liela elementu atšķirība (1 V).	Sazinieties ar vietējo apkopes sniedzēju.

## Pārvadāšana, glabāšana un utilizēšana

### Pārvadāšana un uzglabāšana

- Komplektācijā iekļautie litija jonu akumulatori atbilst bīstamo preču normatīvo aktu prasībām.
- Ievērojiet īpašās prasības, kas sniegtas uz iepakojuma un uzlīmēm attiecībā uz komerciālu transportēšanu, kā arī trešo pušu un sūtīšanas aģentu prasības.
- Pirms nosūtāt izstrādājumu, konsultējieties ar bīstamo preču apstrādes speciālistu. Ievērojiet visus spēkā esošos valsts likumus.
- Kad ievietojat akumulatoru iepakojumā, atvērtiem kontaktiem pievienojiet līmlenti. Ievietojiet akumulatoru iepakojumā cieši, lai novērstu kustēšanos.
- Transportēšanas vai glabāšanas nolūkos izņemiet akumulatoru.
- Novietojiet akumulatoru un akumulatora lādētāju sausā vietā, kuru neietekmē mitrums un sals.
- Neglabājiet akumulatoru vietās, kur var rasties statiskā elektrība. Neglabājiet akumulatoru metāla kārbā.
- Novietojiet akumulatoru glabāšanai vietā, kur temperatūra ir diapazonā no 5 °C/41 °F līdz 25 °C/77 °F un ko neskar tieša saules gaisma.
- Novietojiet lādētāju glabāšanai vietā, kur temperatūra ir diapazonā no 5 °C/41 °F līdz 45 °C/113 °F un ko neskar tieša saules gaisma.
- Izmantojiet akumulatoru lādētāju tikai tad, ja apkārtējā temperatūra ir diapazonā no 5 °C/41 °F līdz 40 °C/104 °F.
- Pirms akumulatoru novietošanai ilgstošai uzglabāšanai, uzlādējiet to par 30–50%.
- Novietojiet akumulatora lādētāju slēgtā un sausā vietā.
- Uzglabāšanas laikā neturiet akumulatoru lādētāja tuvumā. Neļaujiet bērniem un citām nesankcionētām personām pieskarties aprīkojumam. Glabājiet aprīkojumu slēdzamā vietā.
- Notīriet izstrādājumu un veiciet pilnu apkopi, pirms novietojat to ilgstošai glabāšanai.
- Izmantojiet transportēšanas aizsargu uz izstrādājuma, lai novērstu traumas vai izstrādājuma bojājumus transportēšanas vai glabāšanas laikā.
- Transportēšanas laikā droši nostipriniet izstrādājumu.

### Akumulatora, lādētāja un produkta likvidācija

Simboli uz izstrādājuma vai tā iepakojuma norāda, ka šis izstrādājums nav sadzīves atkritums. Utilizējiet to elektrisko un elektronisko ierīču pārstrādes uzņēmumā. Tādējādi tiek samazināta kaitīgā ietekme uz vidi un cilvēkiem.

Lai saņemtu papildinformāciju par izstrādājuma pārstrādi, sazinieties ar vietējām iestādēm, mājaisaimniecības atkritumu savākšanas pakalpojumu sniedzēju vai izplatītāju.

## Tehniskie dati

### Tehniskie dati

	<b>120ITK4-H</b>
<b>Motors</b>	
Motora tips	PMDC 36V
<b>Svars</b>	
Svars bez akumulatora, kg	4,6
Svars kopā ar akumulatoru (pēc noklusējuma tiek izmantots akumulators BLI10), kg	5,3
<b>Trokšņa emisija<sup>49</sup></b>	
Skaņas jaudas līmenis, izmērītais dB (A)	91,32
Akustiskās jaudas līmenis, garantētais ( $L_{WA}$ dB(A))	94
<b>Skaņas līmeņi<sup>50</sup></b>	
Skaņas līmenis pie lietotāja auss, mērīts saskaņā ar standartiem EN 62841-1 un EN 62841-4-2, dB (A)	81,3
<b>Vibrācijas līmeņi<sup>51</sup></b>	
Vibrācijas līmeņi ( $a_h$ ), pie priekšējiem/aizmugures rokturiem, $m/s^2$ Skatīt EN 62841-1 un EN 62841-4-2.	1,223/0,816
<b>Griešanas ierīce</b>	
Tips	Abpusēji
Asmens garums, mm.	500
Asmens izdarītie griezieni/min. SavE režīmā	2250
Asmens izdarītie griezieni/min., kad izstrādājums nedarbojas SavE režīmā	2800

### Apstiprinātie akumulatoru lādētāji

<b>Akumulatora lādētājs</b>	<b>QC80</b>
leejas spriegums, V	100-240

<sup>49</sup> Atbilstoši EK direktīvai 2000/14/EK trokšņa emisija apkārtņē ir mērīta kā akustiskā jauda ( $L_{WA}$ ). Atšķirība starp garantēto un izmērīto skaņas jaudas līmeni ir tāda, ka garantētā skaņas intensitātes līmeņa mērījumu rezultāts ietver arī izkliedi mērījuma rezultātā un atšķirības dažādiem tā paša modeļa izstrādājumiem atbilstoši Direktīvai 2000/14/EK.

<sup>50</sup> Ekvivalentā skaņas spiediena līmeņa tipiska statistiskā izkliede ir standartnovirze 3 dB (A).

<sup>51</sup> Sniegtajos datos par vibrācijas līmeni ir tipiska  $1,5 m/s^2$  statistiskā izkliede (standarta novirze).

Kopējā noteiktā vibrāciju vērtība ir mērīta pēc standarta testēšanas metodes, un to var izmantot instrumentu savstarpējai salīdzināšanai.

Kopējo noteikto vibrāciju vērtību var izmantot arī sākotnējai iedarbības novērtēšanai.

<b>Akumulatora lādētājs</b>	<b>QC80</b>
Frekvence, Hz	50–60
Jauda, W	100
Izejas spriegums, V DC/A	36/2

### Izstrādājumam apstiprinātie akumulatori

<b>Akumulators</b>	<b>BLi10</b>
Tips	Litija jonu
Akumulatora ietilpība, Ah	Skat. akumulatora datu uzlīmi
Nominālais spriegums, V	36
Svars, kg	0,7

**KEES VAN DER SPEK**  
 TUINMACHINES ★ STOLWIJK

---

# EK atbilstības deklarācija

---

## EK atbilstības deklarācija

**Husqvarna AB**, SE-561 82 Huskvarna, Zviedrija, tālr. nr.:  
+46-36-146500 apliecina, ka zaru dzīvžogu griezējs

**Husqvarna 120ITK4-H** ar sērijas numuriem no  
2021. gada uz priekšu (gada skaitlis, kam seko sērijas  
numurs, ir skaidri norādīts uz datu plāksnītes) atbilst  
prasībām, kas ir noteiktas šajā PADOMES DIREKTĪVĀ:

- 2006. gada 17. maija Direktīva **2006/42/EK**, "par mašīnu tehniku".
- 2014. gada 26. februāra Direktīva **2014/30/ES** "par elektromagnētisko saderību".
- 2011. gada 8. jūnija direktīva **2011/65/ES** "par dažu bīstamu vielu izmantošanas ierobežošanu".

Tiek piemēroti tālāk norādītie standarti.

**EN 62841-1:2015, EN 62841-4-2:2019, EN  
55014-1:2017+A11, EN 55014-2:2015,  
CISPR12:2007+A1 2009, EN IEC 63000:2018.**

TÜV Rheinland LGA Products GmbH, Tillystrasse 2,  
D-90431 Nuernberg, Germany ir veicis brīvprātīgu tipa  
pārbaudi Husqvarna AB vārdā. Sertifikāta numurs: **AM  
50491653 0001.**

Huskvarna 2020-12-30

The image shows a handwritten signature in black ink, which appears to be 'P. Martinsons'. To the right of the signature is a large, semi-transparent watermark logo for 'KEES VAN DER SPEK'. The logo includes the text 'KEES VAN DER SPEK' in a bold, sans-serif font, with 'HINES \* STOLWIJK' in a smaller font below it. The signature and logo are positioned over a white background.

Pērs Martinsons (Pär Martinsson), izstrādes nodaļas  
vadītājs (pilnvarotais Husqvarna AB pārstāvis, kas atbild  
par tehnisko dokumentāciju)

# SPIS TREŚCI

Wstęp.....	301	Rozwiązywanie problemów.....	315
Bezpieczeństwo.....	303	Transport, przechowywanie i utylizacja.....	316
Montaż.....	310	Dane techniczne.....	316
Przeznaczenie.....	311	Deklaracja zgodności WE.....	318
Przegląd.....	313		

## Wstęp

### Opis produktu

Husqvarna 120iTK4-H to akumulatorowe, teleskopowe nożyce do żywopłotu.

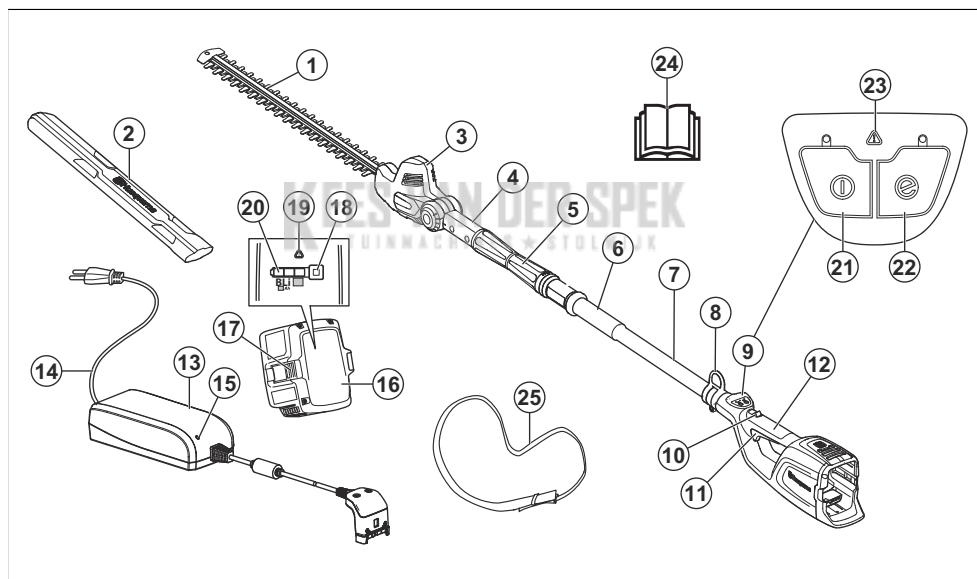
Nieustannie prowadzone są prace w celu zwiększenia bezpieczeństwa użytkownika i wydajności pracy.

Dodatkowe informacje można uzyskać w centrum serwisowym.

### Przeznaczenie

Produkt jest przeznaczony do obcinania gałęzi. Nie używać produktu do innych zadań.

### Przegląd produktu



1. Nóż
2. Osłona transportowa
3. Obudowa
4. Uchwyt dzielony położenia
5. Funkcja teleskopowa
6. Uchwyt przedni
7. Wysięgnik
8. Hak do zawieszania maszyny na uprząży
9. Klawiatura
10. Blokada manetki gazu
11. Manetka gazu
12. Uchwyt tylny
13. Ładowarka
14. Linka
15. Dioda LED włączania zasilania / ostrzegawcza
16. Akumulator
17. Przyciski odłączania akumulatora
18. Przycisk wskaźnika akumulatora
19. Dioda LED ostrzeżenia
20. Dioda LED wskaźnika akumulatora
21. Przycisk start/stop
22. Przycisk SavE

23. Dioda LED ostrzeżenia

24. Instrukcja obsługi

25. Szelki

## Symbole znajdujące się na produkcie



**OSTRZEŻENIE!** Ten produkt może być niebezpieczny. W następstwie nieuważnej lub nieprawidłowej obsługi może dojść do obrażeń ciała lub śmierci operatora bądź innych osób. Aby zapobiec obrażeniom ciała u operatora oraz osób postronnych, należy przestrzegać wszystkich zasad bezpieczeństwa zawartych w niniejszej instrukcji obsługi. Przed przystąpieniem do pracy prosimy dokładnie i ze zrozumieniem zapoznać się z treścią niniejszej instrukcji obsługi.



Stosować kask ochronny w miejscach zagrożonych spadającymi obiektami. Stosować atestowane ochronniki słuchu. Stosować atestowane środki ochrony oczu.



Nosić rękawice ochronne.



Produkt jest zgodny z odpowiednimi dyrektywami Komisji Europejskiej.



Napięcie znamionowe, V



Prąd stały.



Chronić przed deszczem.



Trzymać ręce z dala od tarczy.



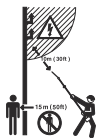
Funkcja teleskopowa.



Funkcja podziału.



Obrócić w lewo, aby poluzować pokrętko, lub w prawo, aby je dokręcić.



Ten produkt nie ma izolacji.

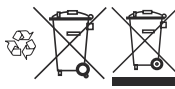
Konsekwencją dotknięcia lub przybliżenia produktu do przewodów znajdujących się pod napięciem może być śmierć operatora lub poważne obrażenia. Porażenie prądem może nastąpić na odległość, w wyniku powstania łuku elektrycznego, nawet bez dotknięcia do przedmiotu znajdującego się pod napięciem. Im wyższe napięcie, tym większa strefa zagrożenia. Także galezie i inne przedmioty mogą przewodzić elektryczność, szczególnie gdy są mokre. Zawsze należy zachować odstęp wynoszący co najmniej 10 m między produktem a przewodami znajdującymi się pod napięciem lub przedmiotami, które się z nimi stykają. W przypadku konieczności wykonania pracy w bliższej odległości należy skontaktować się z dyspozytornią danej elektrowni, aby uzyskać potwierdzenie, że prąd zostanie wyłączony przed przystąpieniem do pracy. Podczas pracy należy zachować odległość co najmniej 15 m / 50 stóp od osób postronnych oraz zwierząt.

yyyywwxxxx

Tabliczka znamionowa zawiera numer seryjny. **yyyy** to rok produkcji, a **ww** oznacza tydzień produkcji.

**Uwaga:** Pozostałe symbole/naklejki samoprzylepne umieszczone na urządzeniu dotyczą wymogów związanych z certyfikatami w poszczególnych krajach.

## Symbole na akumulatorze i/lub na ładowarce.



Należy poddać urządzenie recyklingowi w punkcie zbiórki sprzętu elektrycznego i elektronicznego. (Dotyczy tylko Europy)



Bezpieczny transformator.



Ładowarkę używać i przechowywać wyłącznie wewnątrz.



Podwójna izolacja.

## Odpowiedzialność za produkt

Zgodnie z przepisami dotyczącymi odpowiedzialności za produkt nie ponosimy odpowiedzialności za szkody spowodowane przez nasz produkt, jeśli:

- produkt jest nieprawidłowo naprawiany.
- produkt jest naprawiany przy użyciu części niepochodzących od producenta lub niezatwierdzonych przez producenta.
- produkt jest wyposażony w akcesoria niepochodzące od producenta lub niezatwierdzone przez producenta.
- produkt nie jest naprawiany w autoryzowanym centrum serwisowym lub przez autoryzowaną placówkę.

## Bezpieczeństwo

### Definicje dotyczące bezpieczeństwa

Ostrzeżenia, uwagi i informacje są używane do zwrócenia uwagi na szczególnie ważne sekcje instrukcji obsługi.



**OSTRZEŻENIE:** Jest używane, gdy istnieje ryzyko poważnych obrażeń, śmierci operatora lub uszkodzenia otoczenia w wyniku nieprzestrzegania instrukcji obsługi.



**UWAGA:** Jest używane, gdy istnieje ryzyko uszkodzenia materiałów lub urządzenia w wyniku nieprzestrzegania instrukcji obsługi.

**Uwaga:** Stosuje się, aby przekazać więcej informacji, które są przydatne w danej sytuacji.

### Ogólne ostrzeżenia dotyczące bezpieczeństwa podczas korzystania z narzędzi elektrycznych



**OSTRZEŻENIE:** Przeczytać dokładnie wszystkie ostrzeżenia i instrukcje. Niezastosowanie się do ostrzeżeń i instrukcji może spowodować porażenie prądem i/lub poważne obrażenia.

**Uwaga:** Należy zachować wszystkie ostrzeżenia i instrukcje, aby móc skorzystać z nich w przyszłości. Termin „elektronarzędzie” używany w ostrzeżeniach dotyczy narzędzia zasilanego prądem z sieci elektrycznej (przewodowego) lub narzędzia zasilanego z akumulatora (bezprowadowego).

### Bezpieczeństwo miejsca pracy

- **Miejsce pracy powinno być czyste i dobrze oświetlone.** Miejsca hałaśliwe lub ciemne sprzyjają wypadkom.
- **Nie należy używać narzędzi elektrycznych w atmosferze wybuchowej, takiej jak w przypadku**

**obecności cieczy palnych, gazów lub pyłów.**

Narzędzia elektryczne wytwarzają iskry, które mogą spowodować zapłon pyłów lub oparów.

- **Podczas pracy z użyciem narzędzia elektrycznego należy trzymać dzieci i osoby przechodzące z daleka.** Odwrócenie uwagi może spowodować utratę kontroli nad narzędziem.

### Zasady bezpieczeństwa – elektryczność

- **Wtyczki narzędzi elektrycznych muszą odpowiadać gniazdom. Zabrania się dokonywania przeróbek wtyczki. Nie należy stosować adapterów w przypadku uziemionych narzędzi elektrycznych.** Nieprzerobione wtyczki i dopasowane gniazda pozwalają zredukować ryzyko porażenia prądem.
- **Należy unikać kontaktu ciała z powierzchniami uziemionymi, takimi jak rury, grzejniki, kuchenki i lodówki.** Uziemienie ciała powoduje zwiększenie ryzyka porażenia prądem.
- **Nie należy wystawiać narzędzi elektrycznych na działanie deszczu lub wilgoci.** Woda, która przedostanie się do narzędzia elektrycznego, zwiększa ryzyko porażenia elektrycznego.
- **Nie niszczyć przewodu. Nigdy nie korzystać z przewodu do przenoszenia, ciągnięcia lub odłączania narzędzia elektrycznego. Przewód należy utrzymywać z dala od źródeł ciepła, olejów, ostrych krawędzi lub ruchomych części.** Uszkodzone lub splecione kable zwiększają zagrożenie porażenia prądem.
- **Używając narzędzia elektrycznego na zewnątrz budynków, należy korzystać z odpowiedniego przedłużacza.** Stosowanie przewodu przeznaczonego do użytku na zewnątrz budynków pozwala ograniczyć ryzyko porażenia prądem.
- **Jeśli nieuniknione jest użycie narzędzia w warunkach dużej wilgotności, należy zastosować zasilanie chronione wyłącznikiem różnicowo-prądowym (RCD).** Korzystanie z wyłącznika różnicowo-prądowego (RCD) zmniejsza ryzyko porażenia prądem.

### Bezpieczeństwo osób

- **Używając narzędzi elektrycznych, należy zachować skupienie, obserwować wykonywane czynności i kierować się zdrowym rozsądkiem. Nie należy**

używać narzędzi elektrycznych, kiedy operator jest zmęczony lub pod wpływem działania narkotyków, alkoholu lub leków. Moment nieuwagi podczas pracy z narzędziem elektrycznym może spowodować poważne obrażenia ciała.

- **Stosować środki ochrony osobistej. Należy zawsze stosować środki ochrony wzroku.** Sprzęt ochronny, taki jak maski, antypoślizgowe buty robocze, kask lub środki ochrony słuchu stosowane w odpowiednich warunkach pozwalają obniżyć ryzyko odniesienia obrażeń.
- **Należy zapobiec niezamierzonemu rozruchowi. Przed podłączeniem do źródła zasilania i/lub baterii, podnoszenia lub przenoszenia narzędzia, należy upewnić się, że przełącznik jest w pozycji WYŁ.** Przenoszenie narzędzi z palcem na przełączniku lub przenoszenie narzędzi pod napięciem, które mają przełącznik w pozycji włączone, sprzyja wypadkom.
- **Przed włączeniem narzędzia elektrycznego należy usunąć wszelkie klucze.** Klucz pozostawiony przy części wirującej narzędzia może spowodować obrażenia ciała.
- **Nie należy się nadmiernie wyciągać. Przez cały czas należy zachowywać właściwe ustawienie stóp i równowagę.** Pozwala to na lepszą kontrolę narzędzia elektrycznego w sytuacjach nieprzewidzianych.
- **Należy odpowiednio się ubierać. Nie zakładać luźnej odzieży ani biżuterii. Włosy oraz ubranie należy trzymać z dala od elementów ruchomych.** Luźne ubranie, biżuteria lub długie włosy mogą zostać pochwycone przez elementy ruchome.
- **Jeśli dołączone jest wyposażenie służące do podłączenia urządzeń odprowadzających i gromadzących pył, należy zadbać o jego podłączenie i właściwe używanie.** Stosowanie urządzeń odprowadzających pył może ograniczyć zagrożenia związane z obecnością pyłu.
- **Częste używanie urządzeń nie zwalnia operatora z obowiązku zachowania czujności i przestrzegania zasad bezpieczeństwa podczas korzystania z produktu.** Nierozważne działanie może doprowadzić do poważnych obrażeń w ułamku sekundy.
- **Poziomy wibracji występujące podczas pracy, mogą różnić się od wartości zadeklarowanych, co jest zależne od sposobu używania narzędzia.** Operatorzy powinni zidentyfikować zagrożenia oraz zastosować środki ochrony osobistej tak, aby uzyskać odpowiednią ochronę (należy wziąć pod uwagę cały cykl operacyjny np. także czas, gdy urządzenie jest wyłączone lub pracuje na wolnych obrotach).

## Użytkowanie i konserwacja narzędzia elektrycznego

- **Nie należy wysilać nadmiernie narzędzia. Używać narzędzia elektrycznego dopasowanego do zastosowania.** Właściwe narzędzie zasilane pozwoli lepiej i bezpieczniej wykonać pracę, do której zostało przeznaczone.

- **Nie należy używać narzędzia elektrycznego, jeśli przełącznik nie może go włączyć lub wyłączyć.** Jeśli narzędzie zasilane nie może być kontrolowane za pomocą wyłącznika, jest ono niebezpieczne i musi być oddane do naprawy.
- **Przed dokonaniem jakichkolwiek regulacji, zmianą oprzyrządowania lub przechowywaniem narzędzi, należy odłączyć wtyczkę od źródła zasilania i/lub akumulator.** Takie działanie zapobiegawcze redukuje ryzyko przypadkowego uruchomienia narzędzia.
- **Należy przechowywać nieużywane narzędzia elektryczne poza zasięgiem dzieci i nie pozawalać osobom nie zaznajomionym z narzędziami elektrycznymi lub niniejszymi instrukcjami ich obsługiwać.** Narzędzia zasilane są niebezpieczne w rękach nieprzeszkolonych użytkowników.
- **Konserwacja narzędzi elektrycznych. Należy sprawdzić ustawienie w osi elementów mocujących lub ruchomych, uszkodzenia części i inne warunki, które mogą mieć wpływ na działanie narzędzia elektrycznego. W przypadku uszkodzenia narzędzie zasilane należy naprawić przed użyciem.** Wiele wypadków spowodowanych jest przez niewłaściwą konserwację narzędzi elektrycznych.
- **Narzędzia tnące należy utrzymywać w stanie naostrzonym i czystym.** Właściwie konserwowane narzędzia tnące, z ostrymi krawędziami tnącymi dają mniejsze prawdopodobieństwo zacinania i łatwiej je kontrolować.
- **Narzędzia elektryczne, oprzyrządowanie i końcówki powinny być używane zgodnie z niniejszymi instrukcjami, biorąc pod uwagę warunki robocze oraz zadanie, jakie należy wykonać.** Korzystanie z narzędzia zasilanego do zadań innych, niż te, do których jest przeznaczone, może być niebezpieczne.
- **Utrzymywać uchwyty i powierzchnie do chwytania w stanie suchym, czystym oraz wolnym od smaru i oleju.** Śliskie uchwyty i powierzchnie do chwytania nie pozwalają na bezpieczną obsługę i kontrolę narzędzia w nieoczekiwanych sytuacjach.

## Użytkowanie i konserwacja narzędzia elektrycznego zasilanego akumulatorem

- **Ładować jedynie za pomocą ładowarki wskazanej przez producenta.** Ładowarka przeznaczona do jednego rodzaju akumulatora może grozić pożarem w przypadku wykorzystania jej do ładowania innego rodzaju akumulatora.
- **Narzędzia elektrycznych należy używać wyłącznie w połączeniu z określonym rodzajem akumulatorów.** Użycie akumulatorów innego rodzaju może stworzyć zagrożenie obrażeniami ciała i pożarem.
- **Kiedy akumulator nie jest używany, należy przechowywać go z dala od innych metalowych przedmiotów, takich jak spinacze do papieru, monety, klucze, gwoździe i śruby oraz innych niewielkich metalowych przedmiotów, które mogłyby połączyć dwa zaciski akumulatora.** Spięcie zacisków akumulatora może spowodować oparzenia lub pożar.



- **W niewłaściwych warunkach z akumulatora może wypłynąć płyn. Należy unikać kontaktu z tym płynem. Jeżeli dojdzie do kontaktu, przemyć wodą. Jeśli dojdzie do kontaktu płynu z oczami, należy dodatkowo skorzystać z pomocy medycznej.** Płyn wydostający się z akumulatora może wywołać podrażnienia lub oparzenia.
- **Nie używać akumulatora ani narzędzia, jeśli są one uszkodzone lub zostały zmodyfikowane.** Uszkodzone lub zmodyfikowane akumulatory mogą charakteryzować się nieprzewidywalnymi właściwościami skutkującymi pożarem, eksplozją lub ryzykiem doznania obrażeń przez użytkownika.
- **Nie wystawiać akumulatora ani narzędzia na działanie ognia bądź nadmiernej temperatury.** Narażenie na pożar lub temperaturę przekraczającą 130°C (265°F) może spowodować wybuch.
- **Postępować zgodnie ze wszystkimi instrukcjami dotyczącymi ładowania i nie ładować akumulatora ani narzędzia w temperaturach wykraczających poza zakres określony w instrukcji.** Nieprawidłowe ładowanie lub ładowanie w temperaturach wykraczających poza dopuszczalny zakres może uszkodzić akumulator i zwiększyć ryzyko pożaru.

## Serwis

- **Narzędzie zasilane należy przekazać do wykwalifikowanego personelu serwisowego w celu naprawy z użyciem identycznych części zamiennych.** Zapewni to bezpieczną pracę narzędzia elektrycznego.
- **Pod żadnym pozorem nie należy serwisować uszkodzonych akumulatorów.** Serwisowanie akumulatorów powinno być wykonywane wyłącznie przez producenta lub autoryzowany serwis.

## Instrukcje bezpieczeństwa dotyczące nożyc do żywoplotu

- **Nie należy zbliżyć żadnych części ciała do ostrza tnącego. Kiedy ostrza są w ruchu, nie należy zbierać ściętych gałęzi ani trzymać gałęzi przeznaczonych do ścięcia.** Noże nadal pracują po przestawieniu wyłącznika w położenie OFF. Chwila nieuwagi podczas pracy z wykaszarką do żywoplotu może doprowadzić do poważnych obrażeń ciała.
- **Nożyce do żywoplotu należy przenosić, trzymając za uchwyt, z zatrzymanymi nożami, zwracając uwagę, aby nie dotykać przełączników.** Prawidłowe przenoszenie nożyc do żywoplotu zmniejszy ryzyko przypadkowego uruchomienia i w konsekwencji odniesienia obrażeń ciała od nożyc.
- **Podczas przewożenia lub przechowywania wykaszarki do żywoplotu należy pamiętać o założeniu osłony noży.** Odpowiednia obsługa nożyc do żywoplotu zmniejszy ryzyko obrażeń ciała spowodowanych przez noże tnące.
- **Podczas usuwania zakleszczonych przedmiotów lub serwisowania urządzenia należy upewnić się, że wszystkie przełączniki znajdują się w pozycji OFF, a przewód zasilający jest odłączony.** Nieoczekiwane

uruchomienie nożyc do żywoplotu podczas usuwania zakleszczonego materiału lub serwisowania może spowodować poważne obrażenia ciała.

- **Nożyce do żywoplotu należy trzymać wyłącznie za izolowaną powierzchnię uchwytu, ponieważ nóż może dotknąć ukrytych przewodów lub własnego przewodu zasilającego.** Noże w kontakcie z przewodem pod napięciem mogą wywołać przepływ prądu przez nieosłonięte metalowe części nożyc do żywoplotu, a to może prowadzić do porażenia operatora.
- **Wszystkie przewody powinny znajdować się z dala od miejsca cięcia.** Podczas pracy przewody mogą zostać zakryte przez krzewy i krzaki i przypadkowo przecięte przez noże.
- **Nie używać długich nożyc do żywoplotu podczas złych warunków pogodowych, szczególnie jeśli istnieje ryzyko wystąpienia burzy.** Zmniejsza to ryzyko porażenia piorunem.
- **Aby zmniejszyć ryzyko śmiertelnego porażenia prądem, nie należy nigdy używać długich nożyc do żywoplotów w pobliżu linii elektroenergetycznych.** Korzystanie z urządzenia w pobliżu linii elektroenergetycznych lub zetknięcie się z nimi może spowodować poważne obrażenia ciała lub śmiertelne porażenie prądem.
- **Długie nożyce do żywoplotu należy obsługiwać zawsze oburącz.** Aby uniknąć utraty kontroli, należy trzymać długie nożyce do żywoplotu obiema rękami.
- **Podczas obsługiwanie długich nożyc do żywoplotu należy zawsze używać środków ochrony głowy.** Opadający podczas przycinania materiał może doprowadzić do ciężkich obrażeń.

## Ogólne zasady bezpieczeństwa



**OSTRZEŻENIE:** Przed rozpoczęciem użytkowania produktu przeczytać następujące ostrzeżenia.

- Wyjąć akumulator, aby zabezpieczyć maszynę przed przypadkowym uruchomieniem.
- Ten produkt jest niebezpiecznym narzędziem w przypadku nieostrożnego postępowania lub nieprawidłowego korzystania. Może spowodować poważne obrażenia ciała lub śmierć operatora lub innych osób.
- Nie używać produktu w przypadku zmiany jego początkowych specyfikacji. Nie wymieniać części maszyny bez zgody producenta. Używać wyłącznie części zatwierdzonych przez producenta. Nieprawidłowa konserwacja może doprowadzić do obrażeń lub śmierci.
- Przed uruchomieniem produktu należy sprawdzić jego stan techniczny. Patrz *Zespolo zabezpieczające na urządzeniu na stronie 308* i *Przegląd na stronie 313*. Nie należy używać uszkodzonego produktu. Przeprowadzać kontrole bezpieczeństwa oraz

czynności z zakresu konserwacji i obsługi technicznej podane w niniejszej instrukcji.

- Należy dopilnować, aby produktem nie bawiły się dzieci. Nigdy nie pozwalają na użytkowanie ani serwisowanie produktu dzieciom lub innym osobom, które nie mają odpowiednich kwalifikacji. Lokalne przepisy mogą określać wiek użytkownika.
- Maszynę należy przechowywać w zamkniętym obszarze w celu uniemożliwienia dzieciom lub nieupoważnionym osobom uzyskania do niej dostępu.
- Przechowywać produkt w miejscu niedostępnym dla dzieci.
- Pod żadnym pozorem nie wolno zmieniać ani modyfikować fabrycznej konstrukcji urządzenia bez zezwolenia wydanego przez producenta. Zawsze należy korzystać z oryginalnych akcesoriów. Samowolne wprowadzanie zmian oraz/lub montowanie wyposażenia niezatwierdzonego przez producenta może stać się przyczyną groźnych obrażeń lub śmierci obsługującego urządzenie bądź innych osób.

**Uwaga:** Użytkowanie może podlegać regulacji przepisami państwowymi lub lokalnymi. Należy przestrzegać odpowiednich przepisów

## Instrukcje bezpieczeństwa dotyczące obsługi



**OSTRZEŻENIE:** Przed rozpoczęciem użytkowania produktu przeczytać następujące ostrzeżenia.

- Jeżeli znajdziesz się w sytuacji, w której nie jesteś pewny prawidłowości dalszego sposobu postępowania, zasięgnij porady eksperta. Zwróć się do swojego dealera lub warsztatu obsługi technicznej. Nie podejmuj się pracy, gdy uważasz, że nie masz wystarczających kwalifikacji.
- Nigdy nie używać urządzenia, odczuwając zmęczenie bądź znajdując się pod wpływem alkoholu lub leków, które mogą wpływać ujemnie na wzrok, zdolność oceny sytuacji lub panowanie nad wykonywanymi ruchami.
- Praca przy złej pogodzie jest męcząca i często zwiększa ryzyko obrażeń. Nie zaleca się używać produktu w bardzo niesprzyjających warunkach np. w gęstej mgle, podczas silnego deszczu, przy silnym wietrze, na silnym mrozie lub gdy występuje ryzyko wyładowań atmosferycznych.
- Niewłaściwy lub uszkodzony osprzęt tnący zwiększa ryzyko wypadku.
- Nigdy nie pozwalać dzieciom na użytkowanie lub przebywanie w pobliżu produktu. Ponieważ produkt można łatwo uruchomić, dzieci mogą być w stanie go włączyć, jeżeli nie będą pilnowane. Oznacza to ryzyko poważnych obrażeń. Dlatego należy odłączać akumulator, gdy produkt nie jest pod nadzorem.
- Należy dopilnować, aby podczas pracy żadne osoby postronne ani zwierzęta nie znajdowały się w odległości mniejszej niż 15 m. Jeśli w tym samym miejscu pracuje kilku użytkowników, odległość między nimi powinna wynosić co najmniej 15 m. W przeciwnym razie istnieje ryzyko poważnych obrażeń. W przypadku zbliżenia się osób trzecich natychmiast wyłączyć urządzenie. Nigdy nie obracać produktu gwałtownie, nie upewniwszy się, że nikt nie znajduje się z tyłu w strefie zagrożenia.
- Dopilnować, aby ludzie, zwierzęta ani inne objekty nie mogły zakłócić pracy urządzenia oraz aby nie weszły w kontakt z osprzętem tnącym ani luźnymi przedmiotami odrzucanymi przez osprzęt. Nigdy nie używać urządzenia, jeśli nie ma możliwości wezwania pomocy w razie wypadku.
- Zawsze sprawdzać miejsce pracy. Usunąć wszystkie porzuczone przedmioty, jak kamienie, szkło, gwoździe, druty, sznurki i inne, które mogą zostać odrzucone przez maszynę lub zaplątać się na osprzęcie tnącym.
- Należy zapewnić sobie bezpieczne poruszanie i pozycję przy pracy. Przy poruszaniu się po powierzchni roboczej należy uważać na ewentualne przeszkody (korzenie, glazy, gałęzie, doły, rowy itp.). Szczególną ostrożność należy zachować podczas pracy na pochyłym terenie.
- Zawsze utrzymuj równowagę i mocne oparcie dla stóp. Nie należy przeceniać swoich możliwości
- Przechodząc na inne miejsce pracy, należy wyłączyć produkt. Jeśli produkt nie jest używany, należy zamocować osłonę transportową.
- Nigdy nie należy odkładać urządzenia, chyba że zostało wyłączone, a akumulator został wyjęty. Nie pozostawiać urządzenia bez nadzoru, gdy jest włączone.
- Przed przekazaniem produktu innej osobie należy wyjąć akumulator.
- Upewnić się, czy odzież ani żadne części ciała nie będą miały kontaktu z osprzętem tnącym, gdy produkt jest uruchomiony.
- Jeżeli cokolwiek zablokuje się w osprzęcie tnącym podczas obsługi produktu, należy zatrzymać i wyłączyć urządzenie. Upewnić się, że osprzęt tnący zatrzymał się całkowicie. Przed czyszczeniem, sprawdzaniem lub naprawą produktu bądź osprzętu tnącego należy wyjąć akumulator.
- Trzymać ręce i stopy z dala od osprzętu tnącego aż do momentu całkowitego zatrzymania po wyłączeniu produktu.
- Uważać na koniuszki gałęzi, które podczas cięcia mogą być odrzucane przez maszynę. Nie odcinać zbyt blisko podłoża, ponieważ grozi to wyrzuceniem przez maszynę kamieni i innych przedmiotów.
- Należy uważać na odrzucane przedmioty. Należy zawsze używać zatwierdzonych osłon oczu. Nigdy nie nachylać się nad osłoną zabezpieczającą osprzętu tnącego. Odrzucane przez urządzenie kamienie, odłamki, itp. mogą trafić w oczy,

powodując utratę wzroku lub inne poważne obrażenia.

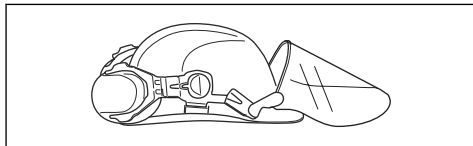
- Mając założone ochronniki słuchu należy zawsze być szczególnie uważnym na sygnały i zawałania ostrzegawcze. Ochronniki słuchu należy zdejmować zaraz po wyłączeniu maszyny.
- Nie wolno pracować, stojąc na drabinie lub stołku, ani na żadnym podwyższeniu, które nie jest stabilne i nie zapewnia zachowania statecznej postawy podczas pracy.
- Podczas pracy niniejsze urządzenie wytwarza pole elektromagnetyczne. W pewnych okolicznościach pole to może zakłócać pracę aktywnych lub pasywnych implantów medycznych. Przed przystąpieniem do pracy z urządzeniem osoby z wszczepionym implantem medycznym powinny skonsultować się z lekarzem/producentem implantu w celu ograniczenia ryzyka poważnych lub śmiertelnych obrażeń.
- Trzymaj zawsze maszynę dwoma rękoma. Trzymać maszynę po prawej stronie ciała.
- Przed przystąpieniem do usuwania materiału owiniętego wokół wałka noża lub zablokowanego między osłoną a osprzętem tnącym zawsze zatrzymać produkt, wyjąć akumulator i upewnić się, że osprzęt tnący się nie obraca.
- Pole elektromagnetyczne wytwarzane podczas pracy może zakłócać działanie aktywnych lub pasywnych implantów medycznych. Przed rozpoczęciem korzystania z produktu osoby z implantami medycznymi muszą skonsultować się z lekarzem lub producentem implantu medycznego.
- Aby ułatwić sobie obsługę urządzenia, należy zamocować je do szelek.
- Długotrwałe przebywanie w hałasie może doprowadzić do trwałej utraty słuchu. Firma Husqvarna zaleca operatorom użycie zatwierdzonych ochronników słuchu.
- Nie wolno używać produktu, który został w jakikolwiek sposób zmodyfikowany.
- Nie wolno pracować uszkodzonym urządzeniem. Przeprowadzać kontrole bezpieczeństwa oraz czynności z zakresu konserwacji i obsługi technicznej podane w niniejszej instrukcji. Niektóre czynności konserwacyjne i obsługowe muszą być wykonane przez przeszkolonego i wykwalifikowanego specjalistę. Patrz wskazówki w części zatytułowanej „Konserwacja”.
- Przed użyciem maszyny dokonaj jej ogólnego przeglądu. Patrz plan konserwacji.
- Nigdy nie pozwalaj używać maszyny innej osobie nie upewniwszy się, że przyswoiła sobie ona treść instrukcji obsługi.
- Sprawdzić, czy w miejscu cięcia nie ma przewodów elektrycznych lub zwierząt, ani też przedmiotów, o które można byłoby uszkodzić osprzęt tnący, np. przedmiotów metalowych.
- Uszkodzone lub nieodpowiednie noże zwiększają ryzyko wypadków przy pracy.

## Środki ochrony osobistej

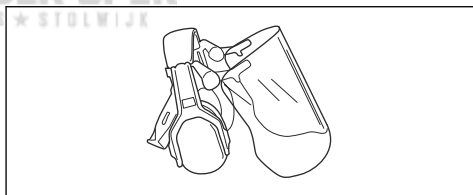


**OSTRZEŻENIE:** Przed rozpoczęciem użytkowania produktu przeczytać następujące ostrzeżenia.

- Podczas używania produktu zawsze nosić na sobie zatwierdzone środki ochrony osobistej. Środki ochrony osobistej nie eliminują ryzyka odniesienia obrażeń, ograniczają natomiast ich rozmiar w razie zaistnienia wypadku. Skorzystaj z pomocy dealera przy wyborze odpowiedniego sprzętu.
- Stosować kask ochronny, gdy zachodzi ryzyko uderzenia spadającymi przedmiotami.

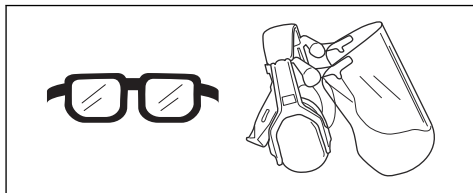


- Długotrwałe przebywanie w hałasie może doprowadzić do uszkodzenia słuchu. Generalnie produkty zasilane akumulatorem są stosunkowo ciche, ale połączenie poziomu hałasu i długiego użytkowania może przynieść szkody. Firma Husqvarna zaleca, aby operatorzy stosowali ochronniki słuchu podczas używania produktów przez dłuższy czas w ciągu dnia. Operatorzy korzystający z urządzenia w sposób ciągły i regularny powinni regularnie sprawdzać słuch.



**OSTRZEŻENIE:** Ochronniki słuchu ograniczają możliwość słyszenia dźwięków i sygnałów ostrzegawczych.

- Stosować atestowane środki ochrony oczu. Używając maski ochronnej twarzy, nosić także zatwierdzone okulary ochronne. Za zatwierdzone okulary ochronne uważane są takie, które są zgodne z normami ANSI Z87.1 dla USA lub EN 166 dla krajów UE.



- W razie potrzeby, na przykład podczas mocowania, badania czy czyszczenia narzędzi tnących, stosować rękawice ochronne.



- Noś odzież wykonaną z mocnego materiału. Noś odzież z długimi nogawkami i długimi rękawami, wykonaną z mocnego materiału. Luźne części odzieży mogą zahaczyć o krzewy lub gałęzie. Nie noś biżuterii, krótkich spodni ani sandałów i nie pracuj z odsłoniętymi stopami. Zwiążuj włosy w sposób bezpieczny powyżej poziomu barków.
- Zawsze miej pod ręką apteczkę pierwszej pomocy.



## Zespoły zabezpieczające na urządzeniu



**OSTRZEŻENIE:** Przed rozpoczęciem użytkowania produktu przeczytać następujące ostrzeżenia.

W tym rozdziale opisano funkcje bezpieczeństwa produktu, jego przeznaczenie oraz sposób przeprowadzania czynności kontrolnych i konserwacji, aby zapewnić jego poprawne działanie. Patrz wskazówki pod nagłówkiem *Przegląd produktu na stronie 301*, aby sprawdzić rozmieszczenie poszczególnych elementów w Twoim urządzeniu.

Jeżeli urządzenie nie jest prawidłowo konserwowane i nie jest poddawane profesjonalnie wykonywanym naprawom i/lub obsłudze technicznej, skraca się jego żywotność i zwiększa ryzyko wypadu. Aby uzyskać dodatkowe informacje, należy skontaktować się z najbliższym punktem serwisowym.



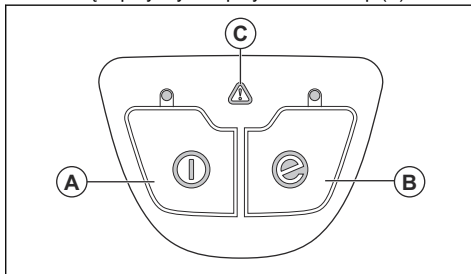
**OSTRZEŻENIE:** Nie wolno używać produktu, którego elementy zabezpieczające są uszkodzone. Elementy zabezpieczające produktu należy kontrolować i konserwować zgodnie z opisem w niniejszym rozdziale. Jeżeli Twój produkt nie spełnia któregokolwiek z warunków kontrolnych, skontaktuj się z przedstawicielem serwisu w celu dokonania naprawy.



**UWAGA:** Wszelkie czynności obsługowe i naprawy maszyny wymagają specjalnego przeszkolenia. Szczególnie dotyczy to elementów zabezpieczających urządzenia. Jeżeli maszyna nie spełnia jakiegokolwiek z niżej wymienionych warunków kontrolnych, należy ją oddać do warsztatu obsługi technicznej. Kupując nasze produkty zyskujesz także gwarancję profesjonalnej obsługi i napraw. Jeżeli w miejscu zakupu nie jest prowadzona obsługa serwisowa, zapytaj o adres najbliższego warsztatu obsługi technicznej.

## Sprawdzanie klawiatury

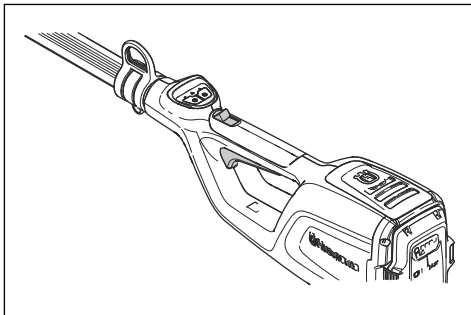
1. Wcisnąć i przytrzymać przycisk start/stop (A).



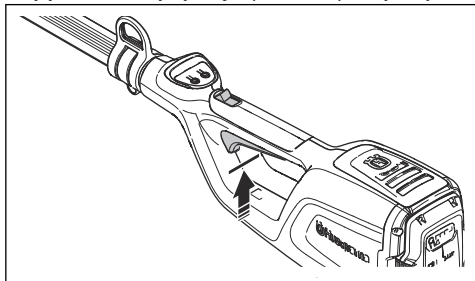
- a) Produkt jest włączony, gdy świeci się kontrolka LED.
  - b) Produkt jest wyłączony, gdy kontrolka LED nie świeci.
2. Informacje na temat funkcji przycisku SavE (B), patrz *Uruchamianie funkcji SavE na stronie 313*.
  3. Patrz *Rozwiązywanie problemów na stronie 315*, jeśli włączy się lub miga wskaźnik ostrzegawczy (C).

## Sprawdzanie blokady manetki gazu

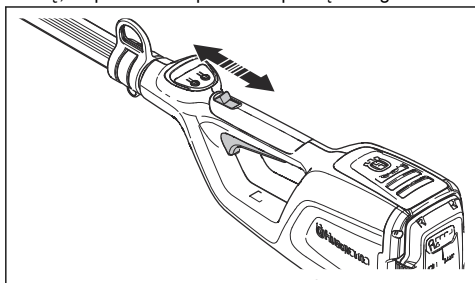
Blokada manetki gazu zapobiega przypadkowemu naciśnięciu. Po zwolnieniu uchwytu blokada i manetka gazu powrócą do swoich pozycji wyjściowych.



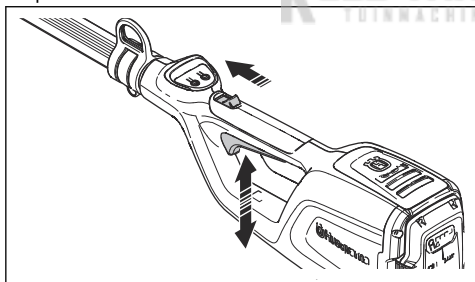
1. Sprawdzić, czy manetka gazu jest zablokowana, gdy jej blokada znajduje się w położeniu początkowym.



2. Pociągnąć i zwolnić blokadę, a następnie upewnić się, że powraca do położenia początkowego.



3. Sprawdzić, czy manetka gazu i jej blokada poruszają się płynnie i czy sprężyna powrotna działa prawidłowo.



4. Uruchomić produkt, patrz *Uruchamianie produktu na stronie 312*.
5. Włączyć pełne obroty.
6. Zwolnić manetkę gazu i sprawdzić, czy osprzęt tnący całkowicie się zatrzymał.

### Zasady bezpieczeństwa związane z akumulatorem



**OSTRZEŻENIE:** Przed rozpoczęciem użytkowania produktu przeczytać następujące ostrzeżenia.

- Zalecany akumulator to BLi10. Patrz *Dane techniczne na stronie 316*. Akumulator jest zabezpieczony szyfrem programowym.
- Jako źródła zasilania do powiązanych produktów BLi10 należy używać wyłącznie akumulatorów Husqvarna. Aby uniknąć obrażeń, nie należy używać akumulatora jako źródła zasilania innych produktów.
- Ryzyko porażenia prądem. Nie przykładać zacisków akumulatora do kluczy, monet, śrub lub innych metalowych przedmiotów. Może to spowodować zwarcie akumulatora.
- Nie używać baterii jednorazowego użytku.
- Nie wkładać żadnych przedmiotów do szczeliny powietrznych akumulatora.
- Chronić akumulator przed bezpośrednim działaniem promieni słonecznych, wysoką temperaturą i otwartym płomieniem. Akumulator może spowodować oparzenia i/lub oparzenia chemiczne.
- Akumulator należy chronić przed deszczem i wodą.
- Akumulator należy chronić przed działaniem mikrofal i wysokiego ciśnienia.
- Nie próbować rozbierać ani rozbijać akumulatora.
- Jeśli doszło do wycieku z akumulatora, unikać kontaktu cieczy ze skórą i oczami. W przypadku dotknięcia cieczy przemyć skórę dużą ilością wody z mydłem i zgłosić się do lekarza. W przypadku dostania się cieczy do oczu nie trzeć ich, ale splukiwać wodą przez co najmniej 15 minut i zgłosić się do lekarza.
- Akumulatora można używać w zakresie temperatur od -10°C do 40°C.
- Do czyszczenia akumulatora i ładowarki nie należy używać wody. Patrz *Czyszczenie produktu, akumulatora i ładowarki na stronie 314*.
- Nie należy używać wadliwego ani uszkodzonego akumulatora.
- Przechowywać akumulatory z dala od metalowych przedmiotów, takich jak gwoździe, śruby czy biżuteria.
- Przechowywać akumulator z dala od dzieci.

### Zasady bezpieczeństwa w czasie obsługi ładowarki



**OSTRZEŻENIE:** Przed rozpoczęciem użytkowania produktu przeczytać następujące ostrzeżenia.

- Nieprzestrzeganie zasad bezpieczeństwa stwarza ryzyko porażenia prądem lub wystąpienia zwarcia.
- Nie używać innych ładowarek do akumulatorów niż te dostarczone dla danego produktu. Do ładowania akumulatora BLi10 zaleca się użycie ładowarki QC80.
- Nie należy podejmować prób rozmontowania ładowarki.
- Nie należy używać wadliwej lub uszkodzonej ładowarki do akumulatora.

- Nie podnosić ładowarki do akumulatora za przewód zasilający. Aby odłączyć ładowarkę do akumulatora od gniazda, wyciągnąć wtyczkę. Nie ciągnąć za przewód.
- Należy chronić wszystkie przewody i przedłużacze przed działaniem wody, olejów oraz przedmiotów o ostrych krawędziach. Uważać także, aby przewód nie został zakleszczony między obiektami np. drzwiami, furtkami lub innymi.
- Nie używać ładowarki do akumulatora w pobliżu łatwopalnych materiałów lub materiałów, które mogą powodować korozję. Upewnić się, że ładowarka nie jest przykryta. W razie zauważenia dymu lub ognia należy odłączyć ładowarkę od źródła zasilania.
- Należy ładować akumulator wyłącznie wewnątrz budynku, w miejscu z dobrym przepływem powietrza i z dala od światła słonecznego. Nie należy ładować akumulatora na zewnątrz pomieszczenia. Nie ładować akumulatora w wilgotnym otoczeniu.
- Ładowarkę można użytkować w zakresie temperatur od 5°C do 40°C. Ładowarki należy używać w suchym, dobrze wentylowanym i wolnym od pyłów środowisku.
- Nie wkładać żadnych przedmiotów do szczelin wentylacyjnych ładowarki.
- Styków ładowarki nie należy zwierać metalowymi przedmiotami, gdyż może to wywołać zwarcie.
- Należy używać zatwierdzonych gniazd głównych, które nie są uszkodzone. Upewnić się, że przewód ładowarki nie jest uszkodzony. Jeżeli używane są przedłużacze, upewnić się, że nie są one uszkodzone.
- Wyjąć akumulator przed rozpoczęciem prac konserwacyjnych, innych przeglądów lub montażu produktu.
- Użytkownikowi wolno wykonywać tylko te czynności konserwacyjne i serwisowe, które są wskazane w niniejszej instrukcji obsługi. W przypadku czynności konserwacyjnych i serwisowych o szerszym zakresie należy zwrócić się do autoryzowanego serwisu.
- Do czyszczenia akumulatora ani ładowarki nie należy używać wody. Silne detergenty mogą spowodować uszkodzenie tworzywa sztucznego.
- Zaniechanie czynności konserwacyjnych skróci cykl życia produktu i zwiększy ryzyko wypadków.
- Dla wszystkich prac serwisowych i naprawczych, zwłaszcza dla urządzeń zabezpieczających na produkcie, konieczne jest specjalne przeszkolenie. Jeśli nie wszystkie opisane w niniejszej instrukcji obsługi kontrole zakończą się pomyślnie po wykonaniu konserwacji, należy zwrócić się do autoryzowanego serwisu. Gwarantujemy profesjonalne naprawy i serwisowanie produktu.
- Zęby tnące ostrza powinny być odpowiednio naostrzone. Należy stosować się do naszych instrukcji. Patrz także instrukcja na opakowaniu ostrza.
- Używaj wyłącznie oryginalnych części zamiennych.
- Przystępując do naprawy osprzętu tnącego zawsze zakładać mocne rękawice ochronne. Ostrza tnące są bardzo ostre i mogą łatwo spowodować obrażenia.

KEES VAN DER SPEK  
TUINMACHINES \* STOLWIJK

## Instrukcje bezpieczeństwa dotyczące konserwacji



**OSTRZEŻENIE:** Przed rozpoczęciem prac konserwacyjnych produktu przeczytać następujące ostrzeżenia.

## Montaż

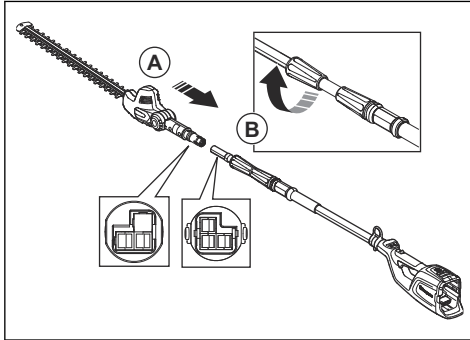
### Wstęp



**OSTRZEŻENIE:** Przed zmontowaniem produktu należy zapoznać się z rozdziałem dotyczącym bezpieczeństwa.

## Montaż wałka

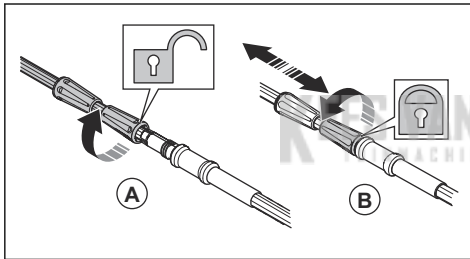
1. Upewnić się, że wtyczki elektryczne są wyrównane.



2. Dobrze połączyć ze sobą końce wału (A).
3. Dokręcić uchwyt skręcany na wale (B) po stronie głowicy nożyc do żywoptotu.

## Aby wyregulować długość wałka

1. Odkręcić uchwyt skręcany na wale (A) po obudowy akumulatora.

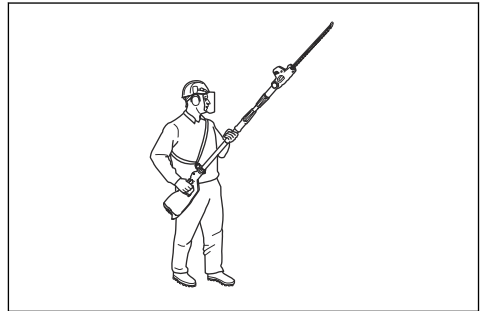


2. Wyregulować wał na odpowiednią długość.
3. Dokręcić uchwyt skręcany (B).

## Regulacja szelek

Podczas korzystania z produktu należy zawsze używać szelek. Szelki zapobiegają maksymalną kontrolę podczas działania produktu. Szelki zapobiegają zmęczeniu rąk i kręgosłupa.

1. Nałożyć szelki.
2. Przyczepić produkt do haka znajdującego się przy szelkach.
3. Wyregulować długość szelek, tak aby hak do zawieszania maszyny znajdował się mniej-więcej na wysokości prawego biodra.



## Przeznaczenie

### Wstęp



**OSTRZEŻENIE:** Przed użyciem produktu należy zapoznać się z rozdziałem dotyczącym bezpieczeństwa.

### Wykonać tę czynność przed uruchomieniem silnika.

1. Sprawdzić obszar pracy. Usunąć przedmioty, które mogą zostać odrzucone spod maszyny podczas pracy.
2. Sprawdzić osprzęt tnący. Upewnić się, że ostrza są ostre, nie mają pęknięć oraz że nie są uszkodzone.
3. Upewnić się, że produkt działa prawidłowo. Sprawdzić, czy dokręcone są wszystkie śruby i nakrętki.

4. Dopilnować, aby uchwyt i urządzenia zabezpieczające maszyny były zawsze dobrze zamocowane. Nie używać produktu z brakującymi częściami lub w przypadku zmiany jego początkowych specyfikacji. W razie potrzeby użyć rękawic ochronnych.
5. Przed uruchomieniem silnika upewnić się, że pokrywy nie są uszkodzone i są zamontowane prawidłowo.

### Podłączanie ładowarki

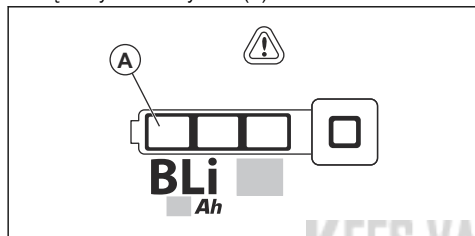
1. Ładowarkę należy podłączyć do źródła zasilania o napięciu i częstotliwości zgodnymi z tabliczką znamionową.
2. Włożyć wtyczkę do gniazdka elektrycznego z uziemieniem. Dioda ładowarki błysnie jeden raz na zielono.

**Uwaga:** Akumulator nie ładuje się, jeżeli jego temperatura przekracza 50°C. Jeśli temperatura przekracza 50°C, ładowarka czeka na ostygnięcie akumulatora przed jego naładowaniem.

## Podłączanie akumulatora do ładowarki

**Uwaga:** Akumulator należy naładować przed pierwszym użyciem. Nowy akumulator jest naładowany jedynie w 30%.

1. Sprawdzić, czy akumulator jest suchy.
2. Podłączyć akumulator do ładowarki.
3. Sprawdzić, czy zielony wskaźnik ładowania na ładowarce zaświeci się. Oznacza to, że akumulator jest podłączony do ładowarki.
4. Akumulator jest całkowicie naładowany, gdy włączą się wszystkie diody LED (A).



5. Aby odłączyć ładowarkę od gniazdka elektrycznego, wyciągnąć wtyczkę. Nie ciągnąć za przewód.
6. Akumulator należy wyjąć z ładowarki.

**Uwaga:** Aby uzyskać więcej informacji, należy zapoznać się z instrukcjami obsługi akumulatora i ładowarki.

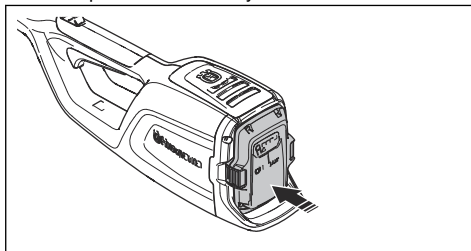
## Podłączanie akumulatora do produktu



**OSTRZEŻENIE:** Należy używać wyłącznie oryginalnych akumulatorów Husqvarna w urządzeniu.

1. Należy sprawdzić, czy akumulator jest w pełni naładowany.

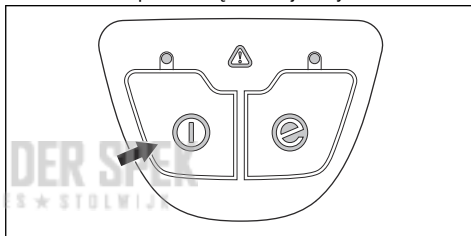
2. Włożyć akumulator do uchwyty akumulatora produktu. Akumulator musi łatwo wchodzić w uchwyt. Jeżeli tak się nie dzieje, oznacza to, że nie został prawidłowo włożony.



3. Popchnąć dolną część akumulatora i wcisnąć go całkowicie do uchwyty baterii. Po usłyszeniu kliknięcia akumulator zablokuje się na miejscu.
4. Upewnić się, że zatrzaski zamknęły się prawidłowo.

## Uruchamianie produktu

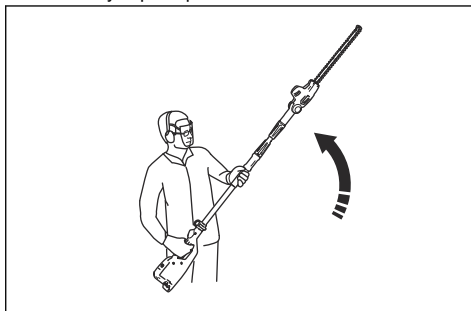
1. Nacisnąć i przytrzymać przycisk start/stop do momentu zapalenia się zielonej diody LED.



2. Pociągnąć blokadę manetki gazu do tyłu i przytrzymać manetkę.

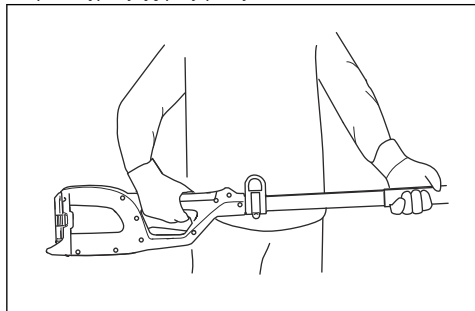
## Obsługa produktu

- Produkt uruchamiać przy ziemi i przesuwając do góry wzdłuż żywoplotu podczas obcinania boków.





- Trzymać urządzenie w pobliżu ciała, aby mieć pewną pozycję przy pracy.

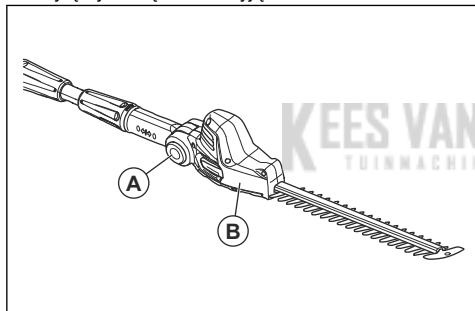


- Uważać, aby nie dotykać ziemi czubkiem osprzętu tnącego.
- Zachować ostrożność i pracować powoli, dopóki wszystkie gałęzie nie zostaną prawidłowo przycięte.

### Regulacja kąta osprzętu tnącego

Osprzęt tnący może zostać ustawiony w 7 różnych pozycjach cięcia.

1. Wyłączyć urządzenie i wyjąć akumulator.

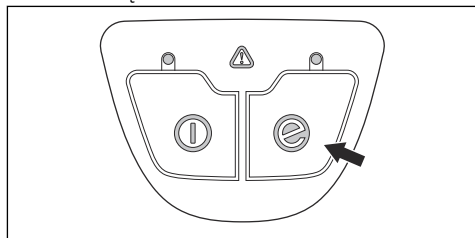


2. Przytrzymać mocno obudowę (B).
3. Nacisnąć i przytrzymać przyciski blokady (A) po 2 stronach obudowy (B).
4. Ustawić osprzęt tnący pod odpowiednim kątem.
5. Zwolnić przyciski blokady (A) po 2 stronach.
6. Przesuwać obudowę (B) w górę i w dół, aż osprzęt tnący zablokuje się na swoim miejscu.

### Uruchamianie funkcji SavE

Ten produkt jest wyposażony w funkcję SavE. Funkcja SaveE zapewnia najdłuższy czas pracy na akumulatorze.

1. Nacisnąć przycisk SavE. Po włączeniu funkcji zaświeci się dioda LED.



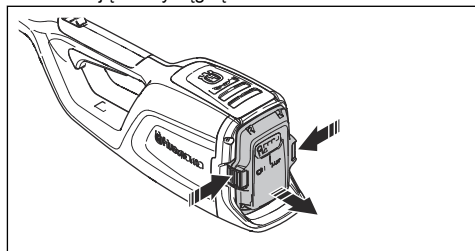
2. Ponowne naciśnięcie przycisku SavE wyłączy funkcję.

### Funkcja automatycznego wyłączenia

Produkt ma funkcję automatycznego wyłączenia, która go zatrzymuje, gdy nie jest on używany. Zielona dioda LED wskaźnika start/stop zgaśnie i urządzenie zatrzyma się po 60 sekundach.

### Wyłączanie produktu

1. Zwolnić włącznik zasilania.
2. Nacisnąć i przytrzymać przycisk start/stop do momentu wyłączenia się zielonej kontrolki LED.
3. Wyjąć akumulator z produktu. Nacisnąć 2 przyciski zwalniające i wyciągnąć akumulator.



## Przegląd

### Wstęp



**OSTRZEŻENIE:** Przed przystąpieniem do konserwacji produktu zapoznać się z rozdziałem dotyczącym bezpieczeństwa.



**OSTRZEŻENIE:** Przed przystąpieniem do konserwacji produktu wyjąć akumulator.

### Plan konserwacji

Poniżej zamieszczono listę czynności konserwacyjnych, które należy wykonywać przy produkcji.

Przegląd	Przed użytko- waniem	Co ty- dzień	Miesięcz- ny
Oczyszczyć zewnętrzne części urządzenia.	X		
Sprawdzić, czy wyłącznik działa prawidłowo i czy nie jest uszkodzony.	X		
Sprawdzić, czy dźwignia mocy i funkcja blokady dźwigni mocy działają prawidłowo pod względem bezpieczeństwa.	X		
Upewnić się, że wszystkie elementy sterujące działają i nie są uszkodzone.	X		
Upewnić się, że ostrze tnące i jego osłona nie mają pęknięć oraz że nie są uszkodzone. Wymienić ostrze tnące lub jego osłonę, jeśli są popękane lub były narażone na uderzenie.	X		
Wymienić ostrze tnące, jeżeli jest wykrzywione lub uszkodzone.	X		
Upewnić się, że wszystkie nakrętki i śruby są prawidłowo dokręcone.	X		
Należy sprawdzić, czy akumulator nie jest uszkodzony.	X		
Należy sprawdzić, czy akumulator jest naładowany.	X		
Należy sprawdzić, czy ładowarka akumulatora nie jest uszkodzona.	X		
Należy sprawdzić, czy śruby łączące noże tnące są prawidłowo dokręcone.		X	
Sprawdzić połączenia pomiędzy akumulatorem a urządzeniem. Sprawdzić połączenie pomiędzy akumulatorem a ładowarką.			X

## Sprawdzanie akumulatora i ładowarki

1. Sprawdzić akumulator pod kątem uszkodzeń, na przykład pęknięć.
2. Sprawdzić ładowarkę pod kątem uszkodzeń, na przykład pęknięć.
3. Należy regularnie sprawdzać, czy przewód połączeniowy ładowarki akumulatora nie jest uszkodzony ani popękany.

## Czyszczenie produktu, akumulatora i ładowarki

1. Po użyciu wyczyścić produkt za pomocą suchej szmatki.
2. Wyczyścić akumulator i ładowarkę suchą szmatką. Akumulator i zaciski należy utrzymywać w czystości.
3. Upewnić się, że styki akumulatora i ładowarki są czyste przed umieszczeniem akumulatora w ładowarce lub w produkcie.

## Kontrola ostrza tnącego

1. Oczyszczyć ostrza tnące z niepożądanego materiału za pomocą środka chroniącego przed korozją przed każdym użyciem produktu i po nim.
2. Sprawdzić końcówki ostrza tnącego pod kątem uszkodzeń i odkształceń.

3. Za pomocą pilnika usunąć zadziory z ostrza tnącego.
4. Sprawdzić, czy ostrza tnące poruszają się swobodnie.

## Czyszczenie i smarowanie ostrzy

1. Oczyszczyć noże z niepożądanego materiału przed każdym użyciem produktu i po nim.
2. Przed dłuższym okresem przechowywania urządzenia należy nasmarować ostrza.

**Uwaga:** Dodatkowe informacje dotyczące zalecanych środków smarnych można uzyskać w centrum serwisowym.

## Smarowanie przekładni

Nanieść substancję smarną na obudowę przekładni, jeżeli przekładnia została rozmontowana przez autoryzowany punkt serwisowy.

- Użyć Husqvarna specjalnego smaru. Dodatkowe informacje dotyczące zalecanych środków smarnych można uzyskać w autoryzowanym punkcie serwisowym.
- Należy używać niewielkich ilości specjalnego smaru o wysokiej jakości.



**UWAGA:** Nie napełniać obudowy przekładni do pełna.

## Rozwiązywanie problemów

### Klawiatura

Ekran LED	Możliwe usterki	Możliwe rozwiązanie
Miga dioda LED błędu.	Przeciążenie	Osprzęt tnący nie może się swobodnie poruszać. Uwolnij osprzęt tnący.
Produkt nie uruchamia się.	Złącza akumulatora są zanieczyszczone.	Wyczyścić złącza akumulatora strumieniem sprężonego powietrza lub miękkim pędzlem.
Dioda LED błędu świeci na czerwono.	Wymagany jest serwis produktu.	Zwrócić się do punktu serwisowego.

### Akumulator

Wyświetlacz LED	Możliwe usterki	Możliwe działania
Miga zielona dioda LED.	Niskie napięcie akumulatora.	Naładować akumulator.
Miga dioda LED błędu.	Odchylenia temperatury.	Akumulator można używać w zakresie temperatur od -10°C (14°F) do 40°C (104°F).
	Zbyt wysokie napięcie.	Upewnić się, że napięcie sieciowe jest zgodne z wartością podaną na tabliczce znamionowej produktu.
		Akumulator należy wyjąć z ładowarki.
Dioda LED błędu jest włączona.	Zbyt wysoka różnica między ogniwami (1 V).	Zwrócić się do punktu serwisowego.

### Ładowarka

Problem	Możliwe usterki	Możliwe rozwiązanie
Miga czerwona dioda LED błędu.	Odchylenia temperatury.	Ładowarkę można użytkować w zakresie temperatur 5–40°C (41–104°F).
Zapala się czerwona dioda LED usterki.	Zbyt wysoka różnica między ogniwami (1V).	Zwrócić się do punktu serwisowego.

# Transport, przechowywanie i utylizacja

## Transport i przechowywanie

- Dołączone akumulatory litowo-jonowe są zgodne z przepisami dotyczącymi towarów niebezpiecznych.
- Należy przestrzegać specjalnych zaleceń podanych na opakowaniu i etykietach, dotyczących transportu komercyjnego, w tym także usług transportowych świadczonych przez strony trzecie i spedytorów.
- Przed wysłaniem produktu należy porozmawiać z osobą przeszkoloną w zakresie materiałów niebezpiecznych. Przestrzegać wszystkich przepisów krajowych, które mają zastosowanie.
- Podczas umieszczania akumulatora w opakowaniu zabezpieczyć otwarte zaciski taśmą. Zapakować akumulator w taki sposób, aby ściśle przylegał do opakowania, co zapobiegnie jego przemieszczaniu.
- Wyjmować akumulator na czas przechowywania lub transportu.
- Przechowywać akumulator i ładowarkę w miejscu suchym i wolnym od wilgoci oraz nienarażonym na mróz.
- Nie przechowywać akumulatora w miejscu, gdzie może występować prąd statyczny. Nie przechowywać akumulatora w metalowym pojemniku.
- Przechowywać akumulator w miejscu, w którym temperatura wynosi od 5°C do 25°C, z dala od bezpośredniego działania promieni słonecznych.
- Przechowywać ładowarkę w miejscu, w którym temperatura wynosi od 5°C do 45°C, z dala od bezpośredniego działania promieni słonecznych.

- Ładowarkę należy użytkować w zakresie temperatur od 5°C do 40°C.
- Naładować akumulator od 30% do 50% przed dłuższym okresem jego przechowywania.
- Przechowywać ładowarkę w zamkniętym i suchym miejscu.
- Przechowywać akumulator z dala od ładowarki. Nie wolno pozwalać dzieciom ani innym osobom postronnym na dotykanie sprzętu. Przechowywać sprzęt w miejscu, które można zamknąć.
- Przed odstawieniem urządzenia na dłuższe przechowywanie należy je wyczyścić oraz przeprowadzić pełny przegląd.
- Użyć osłony transportowej na produkcie, aby zapobiec obrażeniom lub uszkodzeniu urządzenia podczas transportu i przechowywania.
- Przymocować bezpiecznie produkt podczas transportu.

## Usuwanie akumulatora, ładowarki i produktu

Symbole znajdujące się na produkcie oraz na opakowaniu informują o tym, że produkt nie jest zwykłym odpadem domowym. Należy poddawać go recyklingowi w punkcie zbiórki sprzętu elektrycznego i elektronicznego. Pomaga to chronić środowisko i ludzi.

Skontaktować się z lokalnymi władzami, przedsiębiorstwem gospodarki komunalnej lub dealerem w celu uzyskania szczegółowych informacji dotyczących recyklingu.

## Dane techniczne

### Dane techniczne

	<b>120ITK4-H</b>
<b>Silnik</b>	
Typ silnika	PMDC 36 V
<b>Waga</b>	
Ciężar bez akumulatora (kg)	4,6
Masa z akumulatorem (domyślny akumulator BLi10), kg	5,3
<b>Poziom hałasu</b> <sup>52</sup>	

<sup>52</sup> Emisję hałasu do otoczenia zmierzono jako moc akustyczną ( $L_{WA}$ ), zgodnie z dyrektywą WE 2000/14/WE. Różnica pomiędzy gwarantowanym a zmierzonym poziomem ciśnienia akustycznego wynika z tego, że poziom gwarantowany uwzględnia także rozproszenie w wynikach pomiaru oraz różnice pomiędzy różnymi produktami o takim samym oznaczeniu modelowym zgodnie z dyrektywą 2000/14/WE.

	<b>120iTK4-H</b>
Zmierzony poziom mocy akustycznej, w dB(A)	91,32
Poziom głośności, gwarantowana moc akustyczna L <sub>WA</sub> dB(A)	94
<b>Poziomy głośności<sup>53</sup></b>	
Poziom ciśnienia akustycznego, na który narażony jest użytkownik urządzenia, mierzony zgodnie z normami: EN 62841-1 oraz EN 62841-4-2, dB (A)	81,3
<b>Poziomy drgań<sup>54</sup></b>	
Poziom drgań, (a <sub>H</sub> ), uchwyt przedni/tylny, m/s <sup>2</sup> . Patrz EN 62841-1 oraz EN 62841-4-2.	1,223/0,816
<b>Osprzęt tnący</b>	
Typ	Dwustronne
Długość noża, mm	500
Prędkość ostrza (cięcia/min) przy włączonym trybie SavE	2250
Prędkość ostrza (cięcia/min) przy wyłączonym trybie SavE	2800

## Zatwierdzone ładowarki

Ładowarka	QC80
Napięcie wejściowe, V	100-240
Częstotliwość, Hz	50-60
Moc, W	100
Napięcie wyjściowe, V DC/A	36/2

## Akumulatory zatwierdzone dla produktu

Akumulator	BLi10
Typ	Litowo-jonowy
Pojemność akumulatora, Ah	Patrz naklejka z informacją o wartości znamionowej akumulatora
Napięcie znamionowe, V	36
Ciężar, kg	0,7

<sup>53</sup> Typowe rozproszenie statystyczne dla równoważnego poziomu ciśnienia akustycznego to odchylenie standardowe o wartości 3 dB (A).

<sup>54</sup> Odnotowane dane dla poziomu wibracji mają typowe rozproszenie statystyczne (odchylenie standardowe) w wysokości 1,5 m/s<sup>2</sup>.

Zadeklarowana całkowita wartość drgań została zmierzona za pomocą standardowej metody testowej i może być używana do porównywania narzędzi.

Zadeklarowana całkowita wartość wibracji może być także używana do wstępnej oceny jej wielkości.

---

# Deklaracja zgodności WE

---

## Deklaracja zgodności WE

Firma **Husqvarna AB**, SE-561 82 Huskvarna, Szwecja, tel.: +46-36-146500, niniejszym zapewnia, że nożyce do żywopłotów **Husqvarna 120ITK4-H**, począwszy od maszyn wyprodukowanych w roku 2021 (rok produkcji jest podany przed numerem seryjnym na tabliczce znamionowej), są zgodne z przepisami zawartymi w DYREKTYWACH RADY:

- dyrektywie maszynowej **2006/42/WE** z 17 maja 2006 r.
- dyrektywie dotyczącej kompatybilności elektromagnetycznej **2014/30/UE** z 26 lutego 2014 r.
- dyrektywie **2011/65/UE** „dotyczącej ograniczenia użycia określonych substancji niebezpiecznych” z 8 czerwca 2011 r.

Zostały zastosowane następujące normy:

**EN 62841-1:2015, EN 62841-4-2:2019, EN 55014-1:2017+A11, EN 55014-2:2015, CISPR12:2007+A1 2009, EN IEC 63000:2018.**

Dobrowolna kontrola homologacyjna na rzecz TÜV Rheinland LGA Products GmbH, Tillystrasse 2, D-90431 Nuernberg, Germany została przeprowadzona przez Husqvarna AB. Certyfikat opatrzony jest numerem: **AM 50491653 0001**.

Huskvarna 2020-12-30

**KEES VAN DER SPEK**  
TUINMACHINES \* STOLWIJK



Pär Martinsson, dyrektor ds. rozwoju (autoryzowany przedstawiciel Husqvarna AB oraz osoba odpowiedzialna za dokumentację techniczną).

# CUPRINS

Introducere.....	319	Depanarea.....	332
Siguranță.....	321	Transportul, depozitarea și eliminarea.....	333
Asamblarea.....	328	Date tehnice.....	333
Funcționarea.....	328	Declarație de conformitate CE.....	336
Întreținerea.....	331		

## Introducere

### Descrierea produsului

Husqvarna 120iTK4-H este o motounealtă pentru tuns gard viu cu tijă telescopică, alimentată cu baterii.

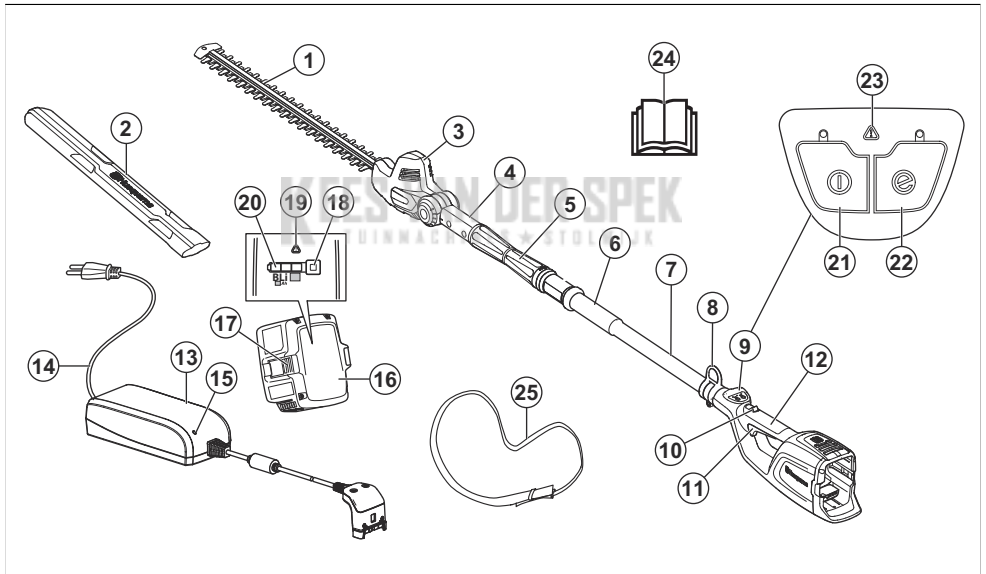
Se depun eforturi constant pentru a vă spori siguranța și eficiența în timpul funcționării. Adresați-vă

reprezentantului de service pentru informații suplimentare.

### Domeniul de utilizare

Utilizați produsul pentru a tăia ramurile și crengile. Nu utilizați produsul pentru alte sarcini.

### Prezentarea generală a produsului



1. Lamă
2. Apărătoare de transport
3. Carcasă
4. Mâner de detașare a poziției
5. Funcție telescopică
6. Mâner frontal
7. Arbore
8. Cârlig susținere ham
9. Tastatură
10. Opritorul întrerupătorului
11. Întrerupător
12. Mâner spate
13. Încărcător baterie
14. Cablu
15. LED de indicare alimentare cuplată/de avertisment
16. Baterie
17. Butoane de eliberare a bateriei
18. Buton indicator baterie
19. LED de avertisment
20. LED indicator de baterie
21. Buton de pornire/oprire
22. Butonul SavE (economisire)

- 23. LED de avertisment
- 24. Manualul operatorului
- 25. Ham

## Simbolurile de pe produs



**AVERTISMENT!** Acest produs este periculos. Dacă produsul nu este utilizat corect și cu atenție, operatorul sau persoanele din zonă pot suferi vătămări corporale sau deces. Pentru a preveni vătămarea corporală a operatorului sau a persoanelor din zonă, citiți și respectați toate instrucțiunile de siguranță din manualul operatorului. Citiți cu atenție manualul operatorului și asigurați-vă că înțelegeți instrucțiunile înainte de utilizare.



Utilizați o cască de protecție în locuri unde pot cădea obiecte pe dvs. Utilizați un sistem omologat de protecție a auzului. Utilizați ochelari de protecție omologate.



Utilizați mănuși de protecție omologate.



Produsul este în conformitate cu directivele CE aplicabile.

Tensiune nominală, V



Curent continuu.



Nu expuneți la ploaie.



Țineți mâinile departe de cuțit.



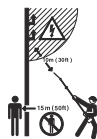
Funcție telescopică.



Funcție de detașare.



Rotiți spre stânga pentru a slăbi butonul rotativ și spre dreapta pentru a-l strânge.



Acest produs nu dispune de izolație. Dacă produsul atinge sau se apropie de cablurile electrice de înaltă tensiune, există pericol de deces sau vătămări corporale grave. Curentul poate „sări” dintr-un punct în altul prin intermediul arcurilor electrice. Cu cât tensiunea este mai mare, cu atât mai mare este distanța la care poate „sări” curentul. Curentul se poate deplasa, de asemenea, prin ramuri și alte obiecte, mai ales dacă sunt ude. Păstrați întotdeauna o distanță de cel puțin 10 m între produs și cablurile electrice de înaltă tensiune și/sau toate obiectele care le ating. Dacă trebuie să lucrați la o distanță mai mică decât distanța sigură, contactați întotdeauna compania relevantă de electricitate pentru a vă asigura că alimentarea electrică este oprită înainte de a începe lucrul. Păstrați o distanță de minimum 15 m față de alte persoane sau animale în timpul lucrului.

aaaassxxxx

Plăcuța de identificare indică seria. **aaaa** este anul fabricației și **ss** este săptămâna fabricației.

**Nota:** Celelalte simboluri/autocolante de pe produs se referă la cerințele de certificare pentru anumite piețe.

## Simbolurile de pe baterie și/sau de pe încărcătorul acesteia



Reciclați acest produs la un centru de reciclare pentru echipamente electrice și electronice. (Este valabilă numai pentru Europa)



Transformator autoprotejat.



Utilizați și păstrați încărcătorul de baterie numai în interior.



Izolație dublă.



## Răspunderea pentru produs

Conform prevederilor legislației privind răspunderea pentru produs, nu ne asumăm răspunderea pentru daunele cauzate de produsul nostru dacă:

- produsul este reparat necorespunzător;

- produsul este reparat cu piese care nu provin de la producător sau care nu sunt aprobate de acesta;
- produsul are un accesoriu care nu provine de la producător sau care nu este aprobat de acesta;
- produsul nu este reparat la un centru de service omologat sau de o autoritate omologată;

## Siguranță

### Definiții privind siguranța

Avertismentele, atenționările și notele sunt utilizate pentru a desemna părți foarte importante din manual.



**AVERTISMENT:** Se utilizează dacă există risc de vătămare sau de deces pentru operator sau pentru trecători, în cazul în care instrucțiunile din manual nu sunt respectate.



**ATENȚIE:** Se utilizează dacă există un risc de deteriorare a produsului, a altor materiale sau a zonelor învecinate, dacă instrucțiunile din manual nu sunt respectate.

**Nota:** Se utilizează pentru a furniza mai multe informații care sunt necesare într-o situație dată.

### Avertismente generale privind siguranța uneltelor electrice



**AVERTISMENT:** Citiți toate avertismentele privind siguranța și toate instrucțiunile. Nerespectarea avertismentelor și instrucțiunilor poate avea ca rezultat șocuri electrice, incendii și/sau leziuni grave.

**Nota:** Păstrați toate avertismentele și instrucțiunile pentru consultări ulterioare. Termenul „unealtă electrică” folosit în avertismente se referă la unealta electrică (cu cablu) acționată de la rețeaua de alimentare sau la unealta electrică (fără cablu) acționată de baterii.

### Siguranța zonei de lucru

- **Păstrați zona de lucru curată și bine iluminată.** Zonele dezordonate sau întunecoase provoacă accidente.
- **Nu acționați uneltele electrice în atmosfere explozive, cum ar fi prezența lichidelor, a gazelor sau a prafului inflamabil.** Uneltele electrice produc scânteii care pot aprinde praful sau aburii.
- **Țineți la distanță copiii și alte persoane în timpul acționării unei unelte electrice.** Distragerea atenției poate cauza pierderea controlului.

### Siguranța privind echipamentele electrice

- **Ștecherile unei unelte electrice trebuie să corespundă prizei. Nu modificați niciodată ștecherul. Nu utilizați nicio fișă de conectare a adaptorului cu unelte electrice cu împământare (legate la masă).** Ștecherile nemodificate și prizele potrivite reduc riscul de șoc electric.
- **Evitați contactul cu corpul a suprafețelor de împământare sau legate la masă, cum ar fi țevi, radiatoare, plite și răcitoare.** Există un pericol sporit de electrocutare dacă împământarea sau legarea la masă se face prin corpul dvs.
- **Nu expuneți uneltele electrice la ploaie sau la condiții de umezeală.** Apa care pătrunde într-o unealtă electrică va spori pericolul de electrocutare.
- **Nu folosiți cablul în mod abuziv. Nu utilizați niciodată cablul la transportarea, tragerea sau deconectarea unei unelte electrice. Țineți cablul departe de căldură, ulei, muchii ascuțite sau piese în mișcare.** Cablurile avariate sau încălțite sporesc pericolul de electrocutare.
- **Când acționați o unealtă electrică în exterior, utilizați un cordon de racord potrivit pentru utilizarea în exterior.** Folosirea unui cablu adecvat pentru utilizarea la exterior reduce riscul de șoc electric.
- **Dacă funcționarea unei unelte electrice într-o locație cu umiditate mare nu poate fi evitată, utilizați o sursă cu dispozitiv de protecție împotriva curentului rezidual (RCD).** Folosirea unui întrerupător de curent rezidual reduce pericolul de electrocutare.

### Siguranța personală

- **Fiți atent la ceea ce faceți și acționați o unealtă electrică în mod rezonabil. Nu utilizați o unealtă electrică când sunteți obosit sau sub influența drogurilor, a alcoolului sau a medicamentelor.** Un moment de neatenție în timpul acționării uneltelor electrice poate duce la răni grave.
- **Utilizați echipamentul personal de protecție. Purtați întotdeauna ochelari de protecție.** Echipamentele de protecție, cum ar fi masca împotriva prafului, încălțăminta de protecție antiderapantă, casca sau protecția pentru auz utilizate în condiții corespunzătoare, vor reduce riscul de vătămări corporale.
- **Evitați pornirea accidentală. Verificați dacă comutatorul este în poziția OPRIT înainte de conectarea la o sursă de alimentare și/sau la baterii, înainte de ridicarea sau transportarea uneltei.** Transportarea uneltelor electrice având degetul

poziționat pe comutator sau activarea uneltelor electrice care au comutatorul pornit pot provoca accidente.

- **Îndepărtați toate cheile de reglare sau cheile fixe înainte pornirii unelei electrice.** O cheie fixă sau o cheie rămasă atașată la o piesă rotativă a unelei electrice poate duce la răniri.
- **Nu vă întindeți prea mult. Păstrați mereu o postură și un echilibru corespunzătoare.** Aceasta lucru permite un control mai bun al unelei electrice în situații neașteptate.
- **Îmbrăcați-vă corespunzător. Nu purtați haine largi sau bijuterii. Țineți părul și îmbrăcămintea la distanță de piesele în mișcare.** Hainele largi, bijuteriile sau părul lung pot fi prinse în piesele în mișcare.
- **Dacă dispozitivele sunt dotate cu racorduri la instalații de extragere și colectare a prafului, asigurați-vă că acestea sunt conectate și utilizate corespunzător.** Colectarea prafului poate reduce pericolele provocate de acesta.
- **Nu vă încredeți în familiaritatea dobândită din utilizarea frecventă a uneltelor; prin urmare, nu ignorați principiile de siguranță ale uneltelor.** O acțiune neglijentă poate duce la vătămări corporale grave într-o fracțiune de secundă.
- Emisiunea de vibrații din timpul folosirii efective a unelei electrice poate fi diferită față de valoarea declarată, în funcție de modul în care este utilizată unealta. Operatorii trebuie să identifice măsurile de siguranță necesare pentru a se proteja, pe baza estimării expunerii în condițiile de folosire efectivă (luând în calcul toate părțile ciclului de funcționare, ca de exemplu momentele în care unealta este oprită și cele în care funcționează în gol, fără ca întrerupătorul să fie acționat).

## Utilizarea și întreținerea unelei electrice

- **Nu forțați unealta electrică. Utilizați unealta electrică potrivită pentru aplicația dvs.** Unealta electrică potrivită va efectua lucrarea mai rapid și în condiții de siguranță mai bune la viteza de lucru pentru care a fost proiectată.
- **Nu utilizați unealta electrică în cazul în care nu poate fi pornită sau oprită de la comutator.** Orice unealtă electrică imposibil de controlat cu ajutorul comutatorului este periculoasă și trebuie reparată.
- **Deconectați ștecherul de la sursa de alimentare și/sau bateria unelei electrice înainte de a face reglări, de a schimba accesoriul sau de a depozita unelte electrice.** Astfel de măsuri preventive de siguranță reduc riscul pornirii accidentale a unelei electrice.
- **Nu lăsați uneltele electrice nefolosite la îndemâna copiilor și nu permiteți persoanelor care nu sunt familiarizate cu unealta electrică sau cu aceste instrucțiuni să o acționeze.** Uneltele electrice sunt periculoase în mâinile utilizatorilor neinstruiți.
- **Întrețineți uneltele electrice. Verificați centrea sau legarea incorectă a pieselor în mișcare, ruperea pieselor și orice alte stări care pot afecta**

**funcționarea unelei electrice. Dacă este avariată, duceți unealta electrică la reparat înainte de a o utiliza.** Multe accidente sunt provocate de uneltele electrice prost întreținute.

- **Păstrați uneltele de tăiere ascuțite și curate.** Este mai puțin probabil ca uneltele de tăiere cu tășuri ascuțite întreținute corespunzător să se blocheze și sunt mai ușor de controlat.
- **Utilizați unealta electrică, accesoriile și piesele din unelaltă, etc. în conformitate cu aceste instrucțiuni, luând în considerare și condițiile de lucru și activitatea care urmează să fie efectuată.** Utilizarea uneltelor electrice pentru operații diferite de cele pentru care sunt destinate poate duce la apariția de situații periculoase.
- **Mențineți mânerul și suprafețele de prindere uscate, curate, fără ulei și unsoare.** Mânerul și suprafețele de prindere alunecoase nu permit manipularea și controlul în siguranță al unelei în situații neprevăzute.

## Utilizarea și întreținerea unelei cu baterie

- **Reîncărcați numai cu încărcătorul specificat de producător.** Un încărcător adecvat pentru un tip de baterie poate constitui pericol de incendiu atunci când este utilizat cu un alt tip de baterie.
- **Utilizați uneltele electrice numai cu baterii special indicate.** Utilizarea unui alt tip de acumulatori poate constitui pericol de vătămări corporale și de incendiu.
- **Când acumulatorul nu este utilizat, păstrați-l departe de alte obiecte metalice, precum agrafe de birou, monede, chei, cui, șuruburi sau alte obiecte mici de metal, care pot crea o conexiune între borne.** Scurtcircuitarea bornelor bateriei poate cauza arsuri sau incendii.
- **În condiții de utilizare neadecvată, din baterie pot ieși stropi de lichid; evitați contactul. Totuși, dacă intrați accidental în contact cu lichidul respectiv, spălați cu apă. Dacă lichidul intră în contact cu ochii, consultați un medic.** Lichidul care se scurge din baterie poate cauza iritații sau arsuri.
- **Nu utilizați acumulatori sau unelte deteriorate sau modificate.** Bateriile deteriorate sau modificate pot prezenta un comportament imprevizibil, ce pot duce la incendii, explozii sau pericol de vătămări corporale.
- **Nu expuneți acumulatori sau uneltele la flăcări sau temperaturi excesive.** Expunerea la flăcări sau la temperaturi de peste 130°C/265°F poate cauza explozii.
- **Urmați toate instrucțiunile de încărcare și nu încărcați acumulatorul sau unelaltă în afara intervalului de temperatură specificat în instrucțiuni.** Încărcarea incorectă sau la temperaturi în afara intervalului specificat poate duce la deteriorarea bateriei și la creșterea pericolului de incendiu.

## Service

- **Cereți ca unealta dvs. electrică să fie reparată numai de un tehnician de reparații calificat, care să**

**folosească numai piese de schimb identice.** Acest lucru va asigura păstrarea siguranței unelei electrice.

- **Nu reparați niciodată acumulatori deteriorați.** Repararea acumulatorilor trebuie efectuată numai de către producător sau de către furnizorii de servicii autorizați.

## Instrucțiuni de siguranță pentru motounealta pentru tuns gard viu

- **Țineți toate părțile corpului departe de cuțit. Nu îndepărtați materialul tăiat sau nu țineți de material pentru a-l tăia cât timp cuțitele sunt în mișcare.** Cuțitele continuă să se miște după ce comutatorul a fost oprit. Un moment de neatenție în timpul utilizării motouneltei pentru tuns gard viu poate duce la vătămări corporale grave.
- **Transportați motounealta pentru tuns gard viu de mâner, cu cuțitul oprit și având grijă să nu acționați vreun întrerupător.** Îngrijirea corespunzătoare a motouneltei pentru gard viu va scădea riscul de pornire accidentală și vătămare corporală ulterioară din cauza cuțitelor.
- **Când transportați sau depozitați motounealta pentru tuns gard viu, montați întotdeauna capacul dispozitivului de tăiere.** Manevrarea corectă a motouneltei pentru tuns gard viu va reduce riscul de vătămări corporale din cauza cuțitelor.
- **Când desprindeți materialul blocat sau efectuați lucrări de service asupra unității, asigurați-vă că toate întrerupătoarele sunt oprite și cablul de alimentare este deconectat.** Acționarea accidentală a motouneltei pentru tuns gard viu în timpul îndepărtării materialului blocat sau efectuării lucrărilor de service poate cauza vătămări corporale grave.
- **Țineți motounealta pentru tuns gard viu numai de suprafețele de prindere izolate, deoarece cuțitul poate atinge cabluri ascunse sau propriul fir.** Cuțitele care intră în contact cu un cablu sub tensiune pot alimenta electric părțile metalice expuse ale motouneltei pentru tuns gard viu și pot electrocuta utilizatorul.
- **Țineți toate cablurile și firele electrice departe de zona de tăiere.** În arbuști sau garduri vii ar putea fi ascunse cabluri sau fire de alimentare, care pot fi tăiate accidental de cuțit.
- **Nu utilizați motounealta pentru tuns gard viu în condiții de vreme nefavorabilă, mai ales când există risc de descărcări electrice.** Aceasta reduce riscul de a fi lovit de trăsnet.
- **Pentru a reduce riscul de electrocutare, nu utilizați niciodată motounealta pentru tuns gard viu cu rază extinsă în apropierea liniilor electrice.** Contactul sau utilizarea în apropierea unor linii electrice poate cauza vătămări corporale grave sau electrocutare, care pot duce la deces.
- **Utilizați întotdeauna cu ambele mâini motounealta pentru tuns gard viu cu rază extinsă.** Țineți

motounealta pentru tuns gard viu cu rază extinsă cu ambele mâini, pentru a evita pierderea controlului.

- **Utilizați întotdeauna echipament de protecție pentru cap când lucrați deasupra capului cu motounealta pentru tuns gard viu cu rază extinsă.** Resturile în cădere pot duce la vătămări corporale grave.

## Instrucțiuni generale de siguranță



**AVERTISMENT:** Înainte de a utiliza produsul, citiți instrucțiunile de avertizare de mai jos.

- Scoateți bateria, pentru a preveni pornirea accidentală a produsului.
- Acest produs este o unealtă periculoasă dacă nu sunteți atent sau dacă utilizați produsul incorect. Acest produs poate cauza vătămări corporale grave sau decesul operatorului sau al altor persoane.
- Nu utilizați produsul dacă specificația sa inițială se modifică. Nu modificați o componentă a produsului fără aprobarea producătorului. Utilizați numai piese omologate de producător. Vătămările corporale sau decesul constituie un posibil rezultat al întreținerii incorecte.
- Verificați produsul înainte de utilizare. Consultați *Dispozitivele de siguranță de pe produs la pagina 325* și *Întreținerea la pagina 331*. Nu utilizați un produs defect. Efectuați verificările de siguranță, instrucțiunile de întreținere și de service descrise în acest manual.
- Copiii trebuie supravegheați, pentru a vă asigura că nu se joacă cu produsul. Nu permiteți copiilor sau altor persoane neinstruite cu privire la operarea produsului și/sau a bateriei să le utilizeze sau să le depaneze. Este posibil ca reglementările locale să limiteze vârsta utilizatorilor.
- Păstrați produsul într-o zonă restricționată pentru a preveni accesul copiilor sau al persoanelor neautorizate.
- Nu depozitați produsul la îndemâna copiilor.
- Nu modificați sub nicio formă proiectul produsului fără permisiunea producătorului. Utilizați întotdeauna accesoriile originale. Modificările și/sau accesoriile neautorizate pot avea drept rezultat vătămări corporale grave sau decesul operatorului și al altor persoane.

**Nota:** Utilizarea poate fi reglementată de legislația națională sau locală. Respectați reglementările aplicabile.

## Instrucțiuni de siguranță pentru utilizare



**AVERTISMENT:** Înainte de a utiliza produsul, citiți instrucțiunile de avertizare de mai jos.

- Dacă întâlniți o situație în care nu știți sigur cum să procedați, trebuie să întrebați un specialist. Contactați distribuitorul sau atelierul de service. Evitați utilizările care, în opinia dvs., vă depășesc abilitățile.
- Nu utilizați niciodată produsul dacă sunteți obosit, dacă ați consumat alcool, droguri, medicamente sau alte substanțe care v-ar putea afecta vederea, atenția, coordonarea sau judecata.
- Lucrul în condiții de vreme nefavorabilă este obositor și adesea aduce un plus de risc. Din cauza riscului suplimentar, nu se recomandă utilizarea aparatului în condiții de vreme nefavorabilă, cum ar fi ceață densă, ploaie abundentă, vânt puternic, frig pătrunzător, risc de descărcări electrice etc.
- Un accesoriu de tăiere defect poate crește pericolul de accidente.
- Nu permiteți copiilor să folosească produsul sau să stea în apropierea acestuia. Deoarece produsul poate fi pornit cu ușurință, copiii îl pot porni dacă nu sunt supravegheați atent. Există riscul unor vătămări corporale grave. Deconectați bateria dacă produsul nu se află sub supraveghere atentă.
- Asigurați-vă că nicio persoană sau niciun animal nu se apropie la mai mult de 15 metri în timp ce lucrați. Când mai mulți operatori lucrează în aceeași locație, distanța de siguranță trebuie să fie de cel puțin 15 metri. În caz contrar, există riscul unor vătămări corporale grave. Opriți produsul imediat dacă se apropie cineva. Nu rotiți niciodată produsul în jur fără a verifica mai întâi în spatele dvs., pentru a vă asigura că nu se află nimeni în zona de siguranță.
- Asigurați-vă că oamenii, animalele sau alte lucruri nu vă pot afecta controlul asupra produsului sau că nu vin în contact cu accesoriul de tăiere sau obiectele desprinse care sunt proiectate de accesoriul de tăiere. Totuși, nu utilizați produsul decât în situații în care puteți solicita ajutor în eventualitatea unui accident.
- Inspectați întotdeauna zona de lucru. Îndepărtați toate obiectele nefixate, precum pietre, sticlă spartă, cuie, fire de oțel, șfori etc. care pot fi proiectate sau se pot înfășura în jurul accesoriului de tăiere.
- Asigurați-vă că vă puteți deplasa și sta în picioare în siguranță. Verificați zona din jurul dvs. pentru posibile obstacole (rădăcini, pietre, crengi, șanțuri etc.) în caz că trebuie să vă deplasați brusc. Aveți mare grijă în timp ce lucrați pe teren în pantă.
- Păstrați un echilibru optim și stabilitatea picioarelor în mod constant. Nu vă întindeți prea mult.
- Dezactivați produsul înainte de a vă deplasa într-o altă zonă. Ațasați apărătoarea pentru transport atunci când produsul nu este utilizat.
- Nu puneți produsul jos niciodată fără a-l dezactiva. Nu lăsați produsul nesupravegheat atunci când este pornit.
- Scoateți bateria înainte de a înmâna produsul unei alte persoane.
- Asigurați-vă că accesoriul de tăiere nu intră în contact cu haine sau părți ale corpului atunci când produsul este activat.
- În cazul în care apare ceva care blochează accesoriul de tăiere în timp ce utilizați produsul, opriți și dezactivați produsul. Asigurați-vă că accesoriul de tăiere se oprește complet. Scoateți bateria înainte de a curăța, inspecta sau repara produsul și/sau echipamentul de tăiere.
- Țineți mâinile și picioarele la distanță de accesoriul de tăiere până când acesta s-a oprit complet atunci când produsul este dezactivat.
- Atenție la cioturile de ramuri care pot fi proiectate în timp ce efectuați tăierea. Nu tăiați prea aproape de sol, unde pietrele și alte obiecte pot fi proiectate.
- Fiți atenți la obiectele azvârlite. Purtați întotdeauna echipament de protecție pentru ochi aprobat. Nu vă aplecați niciodată asupra apărătoarei accesoriului de tăiere. Pietrele, gunoiul etc. pot fi azvârlite în ochi, cauzând orbire sau vătămare gravă.
- Ascultați semnalele de avertisment sau strigătele când purtați echipament pentru protecția auzului. Îndepărtați întotdeauna protecția pentru auz imediat ce se oprește produsul.
- Nu lucrați niciodată de pe o scară, un taburet sau din orice altă poziție ridicată care nu este complet fixată.
- În timpul funcționării, acest aparat produce un câmp electromagnetic. În anumite condiții, acest câmp poate interfera cu implanturile medicale active sau pasive. Pentru a reduce pericolul de răniri grave sau fatale, recomandăm persoanelor cu implanturi medicale să consulte medicul și producătorul de implanturi medicale înainte de a acționa aparatul.
- Țineți întotdeauna produsul cu ambele mâini. Țineți produsul pe partea dreaptă a corpului.
- Opriți întotdeauna produsul, scoateți bateria și asigurați-vă că echipamentul de tăiere nu se rotește înainte de a elimina materialul înfășurat în jurul axului cuștitului sau prins între apărătoare și accesoriul de tăiere.
- Câmpul electromagnetic generat în timpul lucrului poate afecta implanturile medicale active sau pasive. Persoanele cu implanturi medicale trebuie să consulte medicul și producătorul implantului înainte de a utiliza produsul.
- Susțineți greutatea produsului cu ajutorul hamului, pentru a utiliza produsul cu ușurință.
- Expunerea pe termen lung la zgomot poate avea ca rezultat o afecțiune ireversibilă a auzului. Husqvarna recomandă operatorilor să utilizeze o protecție pentru auz aprobată.
- Nu utilizați niciodată un produs care a fost modificat în orice mod față de specificația sa inițială.
- Nu utilizați niciodată un produs care este defect. Efectuați verificările de siguranță, operațiile de întreținere și de service descrise în acest manual. Anumite operații de întreținere și de service trebuie efectuate de specialiști instruiți și calificați. Consultați instrucțiunile din subcapitolul Întreținerea.

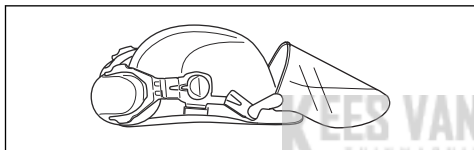
- Efectuați o inspecție generală a produsului înainte de utilizare. Consultați programul de întreținere.
- Nu permiteți nimănui să folosească mașina înainte de a vă asigura că a înțeles conținutul manualului operatorului.
- Verificați zona de lucru pentru a vedea dacă există obiecte străine, cum ar fi cabluri electrice, animale etc. sau alte obiecte care ar putea avaria accesoriul de tăiere, precum obiecte metalice.
- Discurile defecte pot crește pericolul de accidente.

## Echipament de protecție personală

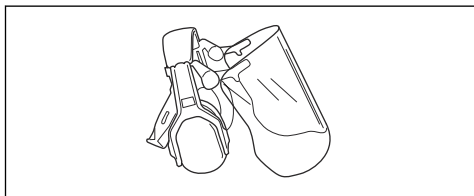


**AVERTISMENT:** Înainte de a utiliza produsul, citiți instrucțiunile de avertizare de mai jos.

- Utilizați întotdeauna echipamente de protecție personală atunci când folosiți produsul. Echipamentele de protecție personală nu pot elimina complet riscul de rănire, însă pot reduce gravitatea rănilor în cazul unui accident. Distribuitorul vă poate ajuta să alegeți echipamentul corect.
- Utilizați o cască de protecție în caz că există riscul ca unele obiecte să cadă.



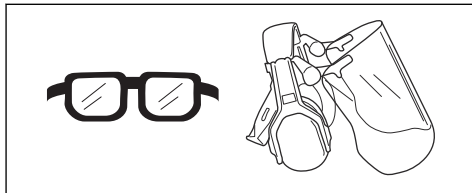
- Expunerea pe termen lung la zgomot vă poate afecta auzul. În general, produsele alimentate cu baterii sunt relativ silențioase, dar pot afecta auzul în urma unei combinații de nivel de zgomot și durată mare de utilizare. Husqvarna recomandă ca operatorii să utilizeze protecții auditive atunci când utilizează produse pentru o durată coerentă mai lungă de o zi. Operatorii care utilizează în mod continuu și regulat aparatul trebuie să efectueze un control auditiv în mod regulat.



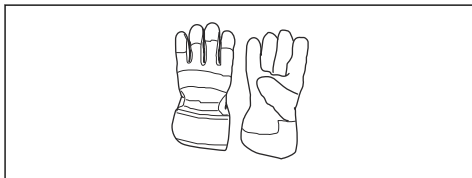
**AVERTISMENT:** Protecțiile auditive limitează capacitatea de a auzi sunete și semnale de avertisment.

- Utilizați ochelari de protecție omologați. Dacă utilizați un vizor de protecție, trebuie să purtați și ochelari de protecție. Ochelarii de protecție trebuie să fie

compatibili cu standardul ANSI Z87.1 în S.U.A. sau EN 166 în țările UE.



- Purtați mănuși atunci când este necesar, de exemplu atunci când conectați, inspecțiți sau curățați echipamentul de tăiere.



- Purtați haine din țesături rezistente. Purtați întotdeauna pantaloni lungi, din material gros, și îmbrăcăminte cu mâneci lungi. Nu purtați haine largi, care se pot prinde în smicele și ramuri. Nu purtați bijuterii, șort, sandale și nu lucrați în picioarele goale. Strângeți-vă părul în siguranță, deasupra nivelului umărului.
- Păstrați la îndemână echipament de prim ajutor.



## Dispozitivele de siguranță de pe produs



**AVERTISMENT:** Înainte de a utiliza produsul, citiți instrucțiunile de avertizare de mai jos.

În această secțiune sunt descrise caracteristicile de siguranță al produsului, scopul său și modul în care trebuie efectuate verificările și întreținerea pentru a asigura funcționarea corectă. A se vedea instrucțiunile din capitolul *Prezentarea generală a produsului la pagina 319* pentru a găsi unde sunt amplasate aceste piese pe produsul dvs.

Durata de viață a produsului se poate reduce, iar riscul de accidente se poate mări dacă întreținerea produsului nu este efectuată corect, iar reglarea și/sau reparațiile nu sunt executate în mod profesional. Dacă aveți nevoie de informații suplimentare, contactați cel mai apropiat furnizor de service.



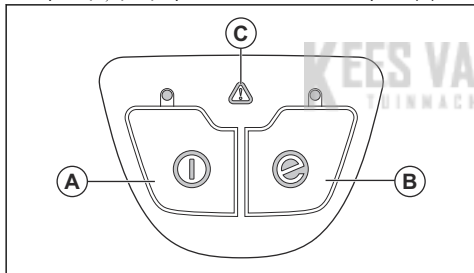
**AVERTISMENT:** Nu utilizați niciodată un produs cu componente de siguranță deteriorate. Echipamentul de siguranță al produsului trebuie inspectat și întreținut conform indicațiilor din acest capitol. Dacă produsul nu trece oricare dintre următoarele verificări, contactați agentul de service pentru reparații.



**ATENȚIE:** Toate activitățile de service și de reparații de pe aparat necesită instruire specială. Acest lucru este adevărat în special în legătură cu echipamentul de siguranță al aparatului. În cazul în care aparatul dvs. nu trece de oricare dintre verificările descrise mai jos, trebuie să vă contactați agentul de service. Atunci când achiziționați și oricare dintre produsele noastre, garantăm disponibilitatea reparațiilor și service-ului profesionist. Dacă vânzătorul cu amănuntul care vă vinde aparatul nu este dealer de service, solicitați-i adresa celui mai apropiat agent de service.

#### Pentru verificarea tastaturii

1. Apăsați și țineți apăsat butonul de start/oprire (A).

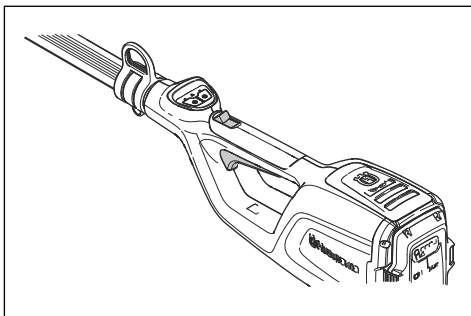


- a) Produsul este pornit când LED-ul este aprins.
- b) Produsul este oprit când LED-ul este stins.

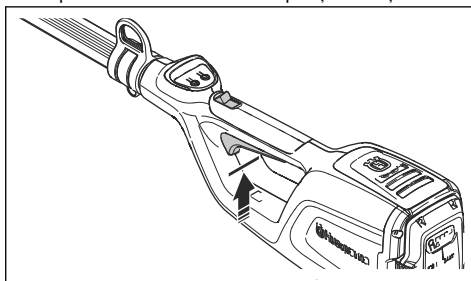
2. Consultați *Pornirea funcției Save la pagina 330* pentru funcția butonului Save (B).
3. Consultați *Depanarea la pagina 332* dacă indicatorul de avertisment (C) este aprins sau luminează intermitent.

#### Verificarea opritorului întrerupătorului

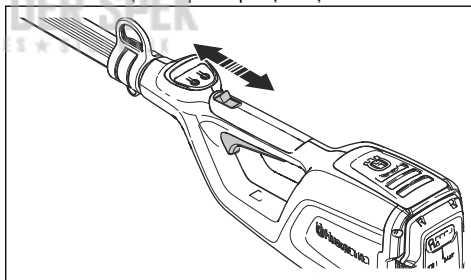
Dispozitivul de blocare al întrerupătorului previne operarea accidentală. Dacă eliberați mânerul, întrerupătorul și dispozitivul de blocare al acestuia se deplasează înapoi în pozițiile lor inițiale.



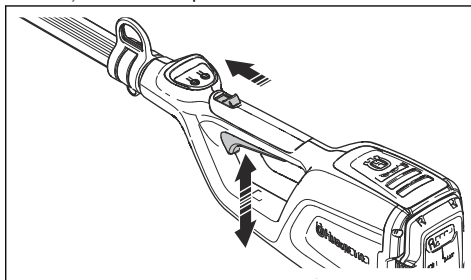
1. Asigurați-vă că întrerupătorul este blocat atunci când dispozitivul de blocare este în poziția sa inițială.



2. Trageți și eliberați dispozitivul de blocare și asigurați-vă că se mișcă înapoi în poziția inițială.



3. Asigurați-vă că întrerupătorul și dispozitivul de blocare se mișcă liber și că arcul de rapel funcționează corespunzător.



4. Porniți produsul, consultați *Pornirea produsului la pagina 329*.

5. Aplicați viteza maximă.
6. Eliberați întrerupătorul și asigurați-vă că accesoriul de tăiere se oprește complet.

## Siguranța bateriei



**AVERTISMENT:** Înainte de a utiliza produsul, citiți instrucțiunile de avertizare de mai jos.

- Bateria recomandată este BLi10. Consultați *Date tehnice la pagina 333*. Bateria este criptată prin software.
- Utilizați bateria BLi10 reîncărcabilă ca sursă de alimentare numai pentru produsele Husqvarna asociate. Pentru a evita rănirea, nu folosiți bateria ca sursă de alimentare pentru alte dispozitive.
- Risc de electrocutare. Nu conectați bornele bateriei la chei, monede, șuruburi sau alte metale. Această poate cauza scurtcircuitarea bateriei.
- Nu utilizați baterii nereîncărcabile.
- Nu puneți obiecte în fantele de aerisire a bateriei.
- Feriți bateria de lumina solară, de căldură sau de flăcări deschise. Bateria poate provoca arsuri și/sau arsuri chimice.
- Feriți bateria de ploaie și de condiții de umezeală.
- Feriți bateria de microunde și de înaltă presiune.
- Nu încercați să demontați sau să spargeți bateria.
- Dacă există scurgeri de lichid dintr-o baterie, nu lăsați lichidul să intre în contact cu pielea sau ochii. Dacă ați atins lichidul, curățați zona cu săpun și apă din abundență și consultați medicul. Dacă lichidul pătrunde în ochi, nu frecați, ci spălați-vă cu multă apă timp de cel puțin 15 minute și consultați medicul.
- Utilizați bateria la temperaturi între -10 °C (14 °F) și 40 °C (114 °F).
- Nu curățați niciodată bateria sau încărcătorul bateriei cu apă. Consultați *Curățarea produsului, bateriei și încărcătorului la pagina 331*.
- Nu utilizați o baterie defectă sau deteriorată.
- Depozitați bateriile la distanță de obiecte de metal, de exemplu cuie, șuruburi sau bijuterii.
- Nu lăsați bateria la îndemâna copiilor.

## Siguranța încărcătorului bateriei



**AVERTISMENT:** Înainte de a utiliza produsul, citiți instrucțiunile de avertizare de mai jos.

- Există riscul de electrocutare sau de scurtcircuit dacă nu sunt respectate instrucțiunile de siguranță.
- Nu utilizați alte încărcătoare de baterii decât cel furnizat pentru produsul dvs. Încărcătorul recomandat este QC80 când încărcați bateria BLi10.
- Nu încercați să dezamblați încărcătorul de baterii.
- Nu utilizați un încărcător de baterii defect sau deteriorat.

- Nu ridicați încărcătorul bateriei ținând de cablul de alimentare. Pentru a deconecta încărcătorul de baterii de la priza de perete, trageți de ștecăr. Nu trageți de cablul de alimentare.
- Feriți toate cablurile și prelungitoarele de apă, ulei și mυχii ascuțite. Asigurați-vă că acest cablu nu este prins între obiecte, de exemplu uși, garduri sau în alte locuri similare.
- Nu utilizați încărcătorul bateriei în apropiere de materiale inflamabile sau materiale care pot cauza coroziune. Asigurați-vă că încărcătorul de baterii nu este acoperit. În caz de fum sau de incendiu, scoateți ștecărul încărcătorului de baterii.
- Încărcați bateria numai în interior, într-un loc cu aerisire adecvată și departe de lumina soarelui. Nu încărcați bateria în exterior. Nu încărcați bateria în medii umede.
- Utilizați încărcătorul de baterii la temperaturi între 5 °C (41 °F) și 40 °C (104 °F). Utilizați încărcătorul într-un mediu foarte bine ventilat, uscat și fără praf.
- Nu puneți obiecte în fantele de răcire a încărcătorului de baterii.
- Nu atingeți niciodată bornele încărcătorului de baterii cu obiecte metalice, deoarece se pot crea scurtcircuite.
- Utilizați prize aprobate care nu sunt deteriorate. Asigurați-vă că cablul încărcătorului nu este deteriorat. Dacă sunt utilizate cabluri prelungitoare, asigurați-vă că acestea nu sunt deteriorate.

## Instrucțiuni de siguranță pentru întreținere



**AVERTISMENT:** Înainte de a efectua lucrări de întreținere asupra produsului, citiți instrucțiunile de avertisment de mai jos.

- Scoateți bateria înainte de a efectua întreținerea, alte verificări sau de a asambla produsul.
- Operatorul trebuie să efectueze numai operațiile de întreținere și service indicate în acest manual al operatorului. Apelați la reprezentantul de service pentru întreținerea și service-ul de mai mare amploare.
- Nu curățați niciodată bateria sau încărcătorul cu apă. Detergentul puternic poate deteriora plasticul.
- Dacă nu efectuați operații de întreținere, durata de viață a produsului scade, iar pericolul de accidente crește.
- Este necesară instruirea profesională specială pentru toate lucrările de service și reparații, mai ales pentru dispozitivele de siguranță de pe produs. Dacă nu sunt aprobate toate verificările din acest manual al operatorului, după ce ați efectuat operațiile de întreținere, apelați la reprezentantul de service. Vă garantăm că există servicii profesionale de reparații și service disponibile pentru produsul dvs.

- Mențineți dinții lamei ascuțiți corect. Respectați recomandările noastre. Consultați, de asemenea, instrucțiunile de pe ambalajul lamei.
- Utilizați doar piese de schimb originale.
- Când efectuați operații de reparație a accesoriului de tăiere, utilizați întotdeauna mănuși de protecție rezistente. Lamele sunt foarte ascuțite și pot provoca cu ușurință vătămări corporale.

## Asamblarea

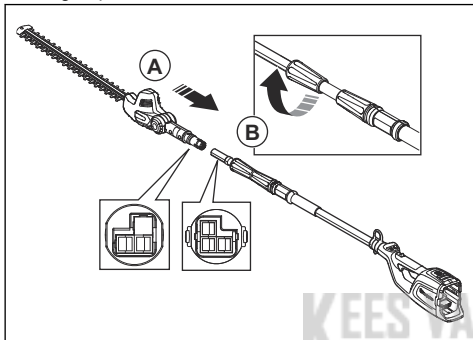
### Introducere



**AVERTISMENT:** Citiți și înțelegeți capitolul referitor la siguranță înainte de asamblarea produsului.

### Asamblarea arborelui

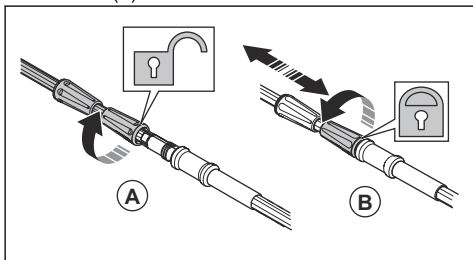
1. Asigurați-vă de alinierea conectorilor electrici.



2. Conectați complet capetele arborelui (A).
3. Strângeți mânerul filetat de pe partea cu cap a arborelui motouneltei pentru tuns gard viu (B).

### Pentru reglarea lungimii arborelui

1. Slăbiți mânerul filetat de pe partea carcasei bateriei arborelui (A).

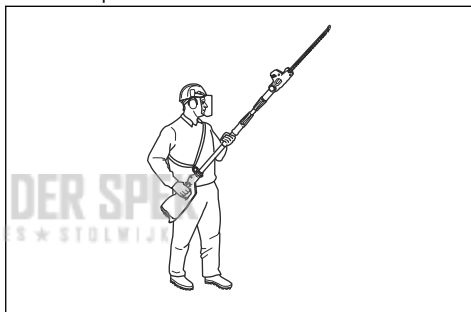


2. Reglați arborele la o lungime adecvată.
3. Strângeți mânerul filetat (B).

### Reglarea hamului

Folosiți întotdeauna hamul când utilizați produsul. Hamul oferă control maxim în timpul funcționării produsului. Hamul scade riscul de oboseală de la nivelul brațelor și al spatelui.

1. Puneți-vă hamul.
2. Atașați produsul pe cârligul de susținere a hamului.
3. Reglați lungimea hamului până când cârligul de susținere este aproximativ la același nivel cu șoldul dvs. drept.



## Funcționarea

### Introducere



**AVERTISMENT:** Citiți și înțelegeți capitolul referitor la siguranță înainte de utilizarea produsului.

### Ce trebuie făcut înainte de a porni produsul

1. Examinați zona de lucru. Îndepărtați obiectele care pot fi proiectate.



2. Examinați accesoriul de tăiere. Asigurați-vă că lamele sunt ascuțite, nu au fisuri și nu sunt deteriorate.
3. Asigurați-vă că produsul funcționează corect. Verificați ca toate șuruburile și piulițele să fie bine strânse.
4. Asigurați-vă că mânerul și dispozitivele de siguranță nu sunt deteriorate și sunt atașate corect. Nu utilizați un produs cu piese lipsă sau care a fost modificat față de specificația sa inițială. Utilizați mănuși de protecție dacă este necesar.
5. Înainte de a utiliza produsul, asigurați-vă că nu sunt deteriorate capacele și că sunt atașate corect.

## Pentru conectarea încărcătorului de baterii

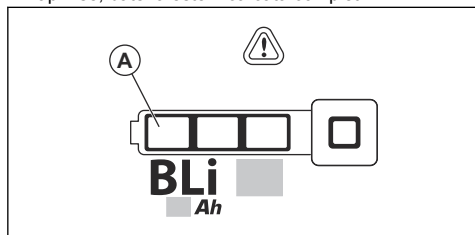
1. Conectați încărcătorul de baterii la tensiunea și la frecvența specificate pe plăcuța de identificare.
2. Introduceți ștecherul în priză cu împănământare. LED-ul încărcătorului de baterii se aprinde o singură dată, în culoarea verde.

**Nota:** Bateria nu se va încărca dacă temperatura bateriei este mai mare de 50 °C/122 °F. Dacă temperatura este mai mare de 50 °C/122 °F, încărcătorul de baterii va răci bateria înainte ca bateria să se încarce.

## Pentru a conecta bateria la încărcător

**Nota:** Încărcați bateria dacă este prima dată când o folosiți. O baterie nouă este încărcată doar până la 30 %.

1. Asigurați-vă că bateria este uscată.
2. Conectați bateria la încărcător.
3. Asigurați-vă că lumina verde de încărcare de pe încărcător se aprinde. Acest lucru înseamnă că bateria este conectată corect la încărcător.
4. Atunci când toate LED-urile (A) de pe baterie sunt aprinse, bateria este încărcată complet.



5. Pentru a deconecta încărcătorul de baterii de la priză de perete, trageți de ștecher. Nu trageți de cablu.
6. Scoateți bateria din încărcător.

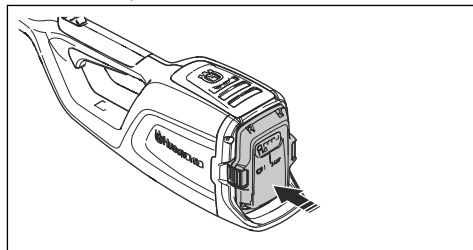
**Nota:** Consultați manualele bateriei și încărcătorului pentru mai multe informații.

## Pentru conectarea bateriei la produs



**AVERTISMENT:** Introduceți numai baterii originale Husqvarna în produs.

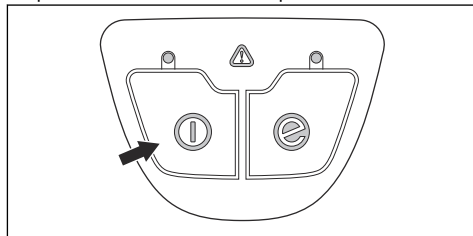
1. Asigurați-vă că bateria este încărcată complet.
2. Așezați bateria în suportul de baterie al produsului. Bateria trebuie să se deplaseze ușor în suport, în caz contrar, nu este instalată corect.



3. Apăsați pe partea inferioară a bateriei și împingeți-o complet în suportul de baterie. Când auziți un clic, înseamnă că bateria s-a blocat în poziția corectă.
4. Asigurați-vă că elementele de fixare se înclichetează corect.

## Pornirea produsului

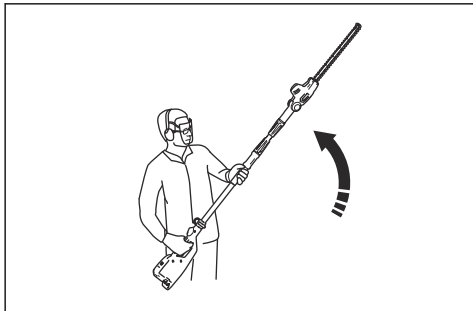
1. Apăsați și țineți apăsat butonul de pornire/oprire până când LED-ul verde se aprinde.



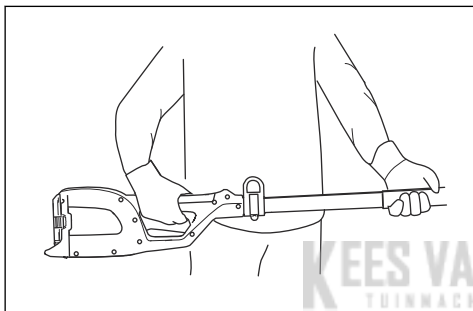
2. Trageți înapoi elementul de blocare al întreprătorului și țineți-l.

## Utilizarea produsului

- Începeți aproape de sol și deplasați produsul în sus de-a lungul gardului viu atunci când tăiați marginile.



- Țineți produsul aproape de corp pentru o poziție de lucru stabilă.

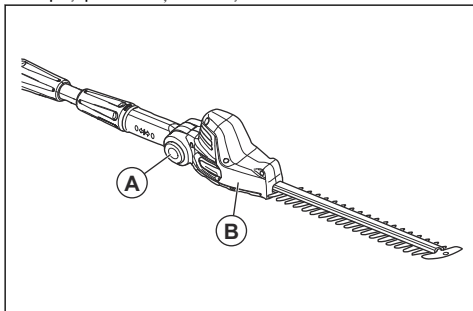


- Asigurați-vă că vârful echipamentului de tăiere nu atinge solul.
- Procedați cu atenție și lucrați încet până când toate ramurile sunt tăiate corect.

## Reglarea unghiului accesoriului de tăiere

Accesorii de tăiere poate fi reglat în 7 poziții diferite.

1. Opriți produsul și scoateți bateria.

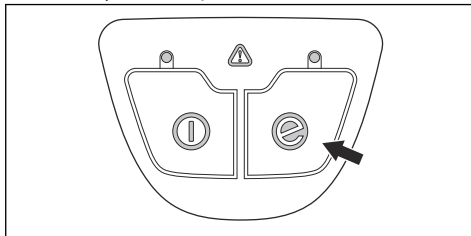


2. Țineți bine carcasa (B).
3. Împingeți și mențineți butoanele de blocare (A) din cele 2 părți ale carcasei (B).
4. Mișcați accesoriul de tăiere în unghiul corect.
5. Eliberați butoanele de blocare (A) de pe cele 2 părți.
6. Mișcați carcasa (B) în sus și în jos până când accesoriul de tăiere se blochează în poziție.

## Pornirea funcției SavE

Produsul are o funcție SavE. Funcția SavE asigură cel mai lung timp de funcționare al bateriei.

1. Apăsăți butonul SavE. LED-ul se aprinde pentru a indica faptul că funcția este activă.



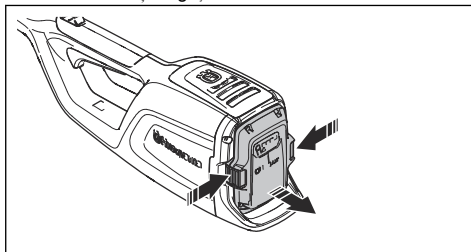
2. Apăsăți din nou pe butonul SavE pentru a opri funcția SavE.

## Funcția de oprire automată

Produsul dispune de o funcție de oprire automată, care oprește produsul dacă acesta nu este utilizat. LED-ul verde care indică pornirea/oprirea se stinge, iar produsul se oprește după 60 de secunde.

## Oprirea produsului

1. Eliberați întrerupătorul.
2. Țineți apăsat butonul de pornire/oprire până când LED-ul verde se stinge.
3. Scoateți bateria din produs. Apăsăți cele 2 butoane de eliberare și trageți bateria în afară.



# Întreținerea

## Introducere



**AVERTISMENT:** Citiți și înțelegeți capitolul privind siguranța înainte de a efectua operații de întreținere asupra produsului.



**AVERTISMENT:** Scoateți bateria înainte de a efectua operații de întreținere asupra produsului.

## Program de întreținere

În continuare prezentăm o listă de pași de întreținere care trebuie efectuați asupra aparatului.

Întreținerea	Înainte de utilizare	Săptămânal	Lunar
Curățați componentele externe ale produsului.	X		
Verificați dacă comutatorul de pornire și oprire funcționează corect și nu este deteriorat.	X		
Asigurați-vă că întrerupătorul și opritorul întrerupătorului funcționează corect din punct de vedere al siguranței.	X		
Asigurați-vă că toate comenzile funcționează și nu sunt deteriorate.	X		
Asigurați-vă că discul frezei și apărătoarea frezei nu au fisuri și că nu sunt deteriorate. Înlocuiți discul frezei sau apărătoarea frezei dacă au fisuri sau dacă au fost expuse la impact.	X		
Înlocuiți discul frezei dacă este îndoit sau deteriorat.	X		
Asigurați-vă că șuruburile și piulițele sunt strânse.	X		
Asigurați-vă că bateria nu este deteriorată.	X		
Asigurați-vă că bateria este încărcată.	X		
Asigurați-vă că încărcătorul de baterii nu este deteriorat.	X		
Asigurați-vă că șuruburile care mențin îmbinate discurile frezei sunt strânse corect.		X	
Verificați legăturile dintre baterie și produs. Verificați legăturile dintre baterie și încărcătorul bateriei.			X

## Examinarea bateriei și încărcătorului

1. Examinați bateria pentru a identifica defecțiunile, de exemplu fisuri.
2. Examinați încărcătorul de baterii pentru a identifica defecțiunile, de exemplu fisuri.
3. Asigurați-vă că cablul de conectare al încărcătorului de baterii nu este deteriorat și că nu prezintă fisuri.

## Curățarea produsului, bateriei și încărcătorului

1. Curățați produsul cu o cârpă uscată după utilizare.

2. Curățați bateria și încărcătorul de baterii cu o cârpă uscată. Mențineți curate șinele de ghidaj al bateriei.
3. Asigurați-vă că bornele bateriei și încărcătorul de baterii sunt curate, înainte ca bateria să fie introdusă în încărcător sau produs.

## Examinarea discului frezei

1. Curățați discurile frezei de materiale nedorite cu un agent de curățare anticoroziv înainte și după ce utilizați produsul.
2. Examinați eventualele deteriorări și deformări de pe marginile discului frezei.

- Folosiți o pilă pentru a îndepărta bavurile de pe discul frezei.
- Asigurați-vă că discurile frezei se pot mișca liber.

## Pentru a curăța și unge discurile

- Curățați discurile de materiale nedorite înainte și după ce utilizați produsul.
- Lubrifiați discurile înainte de a le depozita pentru perioade lungi.

**Nota:** Adresați-vă reprezentantului de service pentru informații suplimentare privind agenții de curățare și lubrifiții recomandate.

## Pentru a unge angrenajul

Aplicați unsoare pe carcasa angrenajului dacă angrenajul a fost dezasamblat de către un distribuitor de service autorizat.

- Folosiți unsoare specială Husqvarna. Adresați-vă reprezentantului de service pentru informații suplimentare privind unsoarea recomandată.
- Folosiți doar o cantitate mică de vaselină specială de înaltă calitate.



**ATENȚIE:** Nu umpleți complet carcasa angrenajului.

## Depanarea

### Tastatură

ECRAN CU LED-URI	ERORI POSIBILE	SOLUȚII POSIBILE
LED-ul de eroare se aprinde intermitent.	Suprasolicitare	Accesorii de tăiere nu se mișcă liber. Eliberați accesoriul de tăiere.
Produsul nu pornește.	Există murdărie în conectorii bateriei.	Curățați conectorii bateriei cu aer comprimat sau cu o perie moale.
LED-ul de eroare se aprinde cu lumină roșie.	Este necesar să se efectueze lucrări de service asupra produsului	Adresați-vă reprezentantului de service.

KEES VAN DER SPEK  
TUINMACHINES \* STOLWIJK

### Baterie

AFIȘAJ LED	ERORI POSIBILE	AȚIUNE POSIBILĂ
LED-ul verde se aprinde intermitent.	Tensiune joasă a bateriei.	Încărcați bateria.
LED-ul de eroare se aprinde intermitent.	Deviație de temperatură.	Utilizați bateria la temperaturi între -10°C (14°F) și 40°C (104°F).
	Tensiune prea mare.	Asigurați-vă că tensiunea rețelei de alimentare corespunde celei indicate pe plăcuța de identificare a produsului. Scoateți bateria din încărcător.
LED-ul de eroare este aprins.	Diferența între baterii este prea mare (1 V).	Adresați-vă reprezentantului de service.

### Încărcător pentru acumulator

PROBLEMĂ	ERORI POSIBILE	SOLUȚIE POSIBILĂ
LED-ul roșu de eroare luminează intermitent.	Deviație de temperatură.	Utilizați încărcătorul la temperaturi între 5 °C (41 °F) și 40 °C (104 °F).

Problemă	Erori posibile	Soluție posibilă
LED-ul roșu de eroare se aprinde.	Diferența între baterii este prea mare (1 V).	Adresați-vă reprezentativului de servicii.

## Transportul, depozitarea și eliminarea

### Transportul și depozitarea

- Bateriile cu ioni de litiu furnizate respectă cerințele legislației privind bunurile periculoase.
- Respectați cerințele speciale de pe ambalaj și etichete privind transportul comercial, inclusiv cele emise de către terțe părți și companiile de expediție.
- Discutați cu o persoană care a beneficiat de instruire specială privind materialele periculoase înainte de a trimite produsul. Respectați toate reglementările naționale aplicabile.
- Aplicați bandă adezivă pe contactele expuse atunci când introduceți bateria într-un pachet. Bateria trebuie ambalată astfel încât să nu se poată deplasa în interiorul pachetului.
- La depozitare și la transport, scoateți întotdeauna bateria.
- Puneți bateria și încărcătorul de baterii într-un spațiu uscat și ferit de umezeală și îngheț.
- Nu depozitați bateria într-un loc în care există riscul de acumulare a electricității statice. Nu depozitați bateria într-o cutie metalică.
- Depozitați bateria la temperaturi între 5°C (41°F) și 25°C (77°F), într-un loc ferit de radiațiile solare directe.
- Depozitați încărcătorul de baterii la temperaturi între 5°C (41°F) și 45°C (113°F), într-un loc ferit de radiațiile solare directe.
- Utilizați încărcătorul de baterii numai la temperaturi ambiante cuprinse între 5°C/41°F și 40°C/104°F.

- Încărcați bateria în proporție de 30 % - 50 % înainte de a o depozita pe o perioadă lungă.
- Depozitați încărcătorul de baterii într-un spațiu închis și uscat.
- Nu depozitați bateria lângă încărcător. Nu lăsați copii și alte persoane neautorizate să atingă echipamentul. Păstrați echipamentul într-un spațiu pe care îl puteți înclui.
- Curățați produsul și efectuați un service complet înainte de a depozita produsul pentru o perioadă lungă de timp.
- Utilizați apărătoarea de transport pe produs pentru a preveni accidentarea sau deteriorarea produsului în timpul transportului și depozitării.
- Fixați foarte bine produsul în timpul transportului.

### Eliminarea bateriei, încărcătorului acesteia și a produsului

Simbolurile de pe produs sau de pe ambalajul acestuia înseamnă că produsul nu este deșeu menajer. Reciclați-l la un centru de reciclare pentru echipamente electrice și electronice. Această măsură ajută la protejerea mediului și a oamenilor.

Luai legătura cu autoritățile locale, centrul de colectare a reziduurilor menajere sau distribuitorul pentru mai multe informații despre modul de reciclare a produsului dvs.

## Date tehnice

### Date tehnice

	<b>120iTK4-H</b>
<b>Motor</b>	
Tip de motor	PMDC 36 V
<b>Greutate</b>	
Greutate fără baterie, kg	4,6
Greutate cu baterie (bateria implicită BLi10), kg	5,3

	<b>120ITK4-H</b>
<b>Emisii de zgomot<sup>55</sup></b>	
Nivel de putere acustică, măsurat dB(A)	91,32
Nivel de putere acustică, garantat L <sub>WA</sub> dB(A)	94
<b>Niveluri de zgomot<sup>56</sup></b>	
Nivel echivalent de presiune acustică la urechea operatorului, măsurat conform EN 62841-1 și EN 62841-4-2, dB(A)	81,3
<b>Niveluri de vibrații<sup>57</sup></b>	
Niveluri de vibrații (a <sub>r</sub> ) la mâneretele față/spate, m/s <sup>2</sup> . Consultați EN 62841-1 și EN 62841-4-2.	1,223/0,816
<b>Echipament de tăiere</b>	
Tip	Cu două fețe
Lungime disc, mm	500
Turație cuțit, cursă/min. în modul SavE	2250
Turație cuțit, cursă/min. fără modul SavE	2800

## Încărcătoare de baterii omologate

<b>Încărcător baterie</b>	<b>QC80</b>
Tensiune de intrare, V	100-240
Frecvență, Hz	50-60
Putere, W	100
Tensiune de ieșire, V c.c./A	36/2

## Baterii aprobate pentru produs

<b>Baterie</b>	<b>BLI10</b>
Tip	Litiu-ion
Capacitate baterie, Ah	Consultați autocolantul de identificare a bateriei

<sup>55</sup> Emisiile de zgomot în mediu măsurate ca putere acustică (L<sub>WA</sub>) în conformitate cu directiva CE 2000/14/CE. Diferența dintre puterea acustică garantată și cea măsurată este aceea că puterea acustică garantată include, de asemenea, dispersia în rezultatul de măsurare și variațiile dintre diferitele produse ale aceleiași model conform Directivei 2000/14/CE.

<sup>56</sup> Dispersia statistică tipică pentru nivelul echivalent de presiune acustică este o deviere standard de 3 dB (A).

<sup>57</sup> Datele raportate pentru nivelul de vibrații prezintă o dispersie statistică tipică (abatere standard) de 1,5 m/s<sup>2</sup>.

Valoarea totală a vibrației declarate a fost măsurată în concordanță cu o metodă standard de testare și poate fi utilizată pentru compararea unei unelte cu alta.

Valoarea totală declarată a vibrației poate fi utilizată, de asemenea, într-o evaluare preliminară a gradului de expunere.

<b>Baterie</b>	<b>BLi10</b>
Tensiune nominală, V	36
Greutate, kg	0,7

**KEES VAN DER SPEK**  
TUINMACHINES ★ STOLWIJK

---

## Declarație de conformitate CE

---

### Declarație de conformitate CE

**Husqvarna AB**, SE-561 82 Huskvarna, Suedia, tel.: +46-36-146500, declară că motonealta pentru tuns gard viu cu tijă **Husqvarna 120ITK4-H** cu seriile începând de la 2021 (anul este specificat clar pe plăcuța de identificare, urmat de numărul de serie), respectă cerințele DIRECTIVEI CONSILIULUI:

- din 17 mai 2006 „referitoare la utilaje” **2006/42/CE**.
- din 26 februarie 2014 „referitoare la compatibilitatea electromagnetică” **2014/30/UE**.
- din 8 iunie 2011 privind „restricțiile de utilizare a anumitor substanțe periculoase” **2011/65/UE**.

Au fost aplicate următoarele standarde:

**EN 62841-1:2015, EN 62841-4-2:2019, EN 55014-1:2017+A11, EN 55014-2:2015, CISPR12:2007+A1 2009, EN IEC 63000:2018.**

TÜV Rheinland LGA Products GmbH, Tillystrasse 2, D-90431 Nuernberg, Germany, a efectuat examinarea voluntară de tip în numele Husqvarna AB. Certificatul are numărul: **AM 50491653 0001**.

Huskvarna 2020-12-30



KEES VAN DER SPEK  
MACHINES \* STOLWIJK

Pär Martinsson, director de dezvoltare (reprezentant autorizat pentru Husqvarna AB și responsabil cu documentația tehnică.)



## Obsah

Úvod.....	337	Riešenie problémov.....	350
Bezpečnosť.....	339	Preprava, skladovanie a likvidácia.....	351
Montáž.....	346	Technické údaje.....	351
Prevádzka.....	346	ES vyhlásenie o zhode.....	354
Údržba.....	349		

## Úvod

### Popis výrobku

Husqvarna 120iTK4-H je akumulátorový plotostrih na teleskopической tyči.

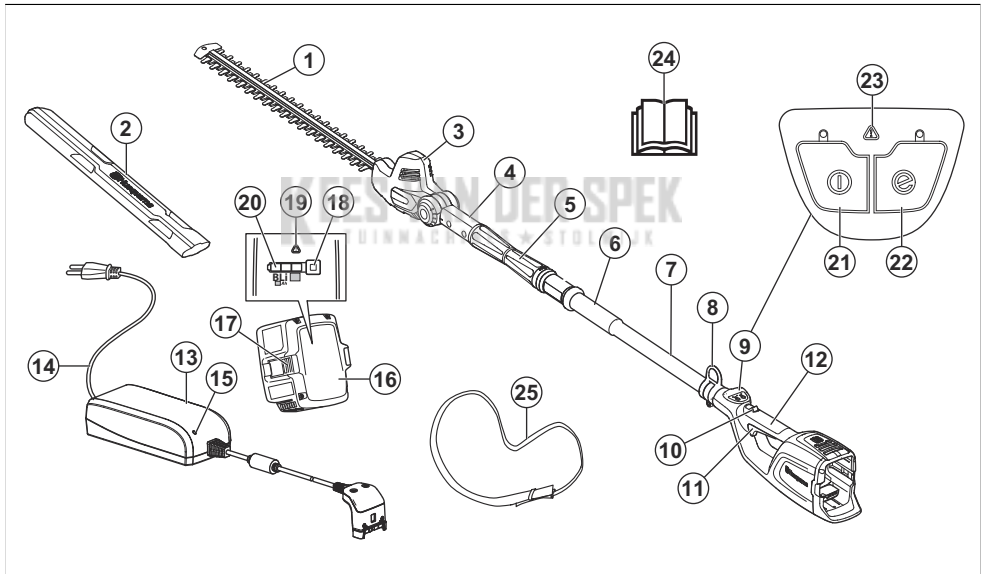
Neustále pracujeme na tom, aby sme zabezpečili vyššiu bezpečnosť a efektívnosť počas prevádzky. Ak

potrebujete ďalšie informácie, obráťte sa na servisného predajcu.

### Plánované použitie

Výrobok slúži na orezávanie konárov a vetvičiek. Výrobok nepoužívajte na iné účely.

### Prehľad výrobku



1. Čepel
2. Transportný kryt
3. Opláštenie
4. Rozdelená rukoväť
5. Vysúvací funkcia
6. Predná rukoväť
7. Hriadeľ
8. Podporný hák popruhu
9. Klávesnica
10. Blokovanie páčky vypínača
11. Páčka vypínača
12. Zadná rukoväť
13. Nabíjačka batérie
14. Šnúra
15. Indikátor LED zapnutia napájania/výstražný indikátor LED
16. Akumulátor
17. Tlačidlá uvoľnenia batérie
18. Tlačidlo indikátora batérie
19. Výstražný indikátor LED
20. Indikátor LED akumulátora
21. Tlačidlo štart/stop

- 22. Tlačidlo SavE
- 23. Výstražný indikátor LED
- 24. Návod na obsluhu
- 25. Popruh

## Symbole na výrobku



**UPOZORNENIE!** Tento výrobok je nebezpečný. V prípade neopatrného a nesprávneho použitia výrobku môže dôjsť k zraneniu alebo usmrteniu obsluhy alebo osôb v okolí. V záujme predchádzania zraneniam obsluhy a osôb v okolí si prečítajte a dodržiavajte všetky bezpečnostné pokyny v návode na obsluhu. Skôr než začnete stroj používať, pozorne si prečítajte návod na obsluhu a presvedčite sa, že ste porozumeli jeho obsahu.



V miestach, kde na vás niečo môže spadnúť, používajte ochrannú prilbu. Používajte schválené chrániče sluchu. Používajte schválené chrániče očí.



Používajte schválené ochranné rukavice.



Tento výrobok je v súlade s príslušnými smernicami ES.



Menovité napätie, V



Jednosmerný prúd.



Výrobok nevystavujte dažďu.



Nepribližujte sa rukami k nožu.



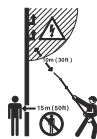
Vysúvací funkcia.



Funkcia rozdelenia.



Otočením doľava uvoľníte gombík, otočením doprava ho utiahnite.



Tento výrobok nemá izoláciu. Ak sa výrobok dotkne alebo sa dostane do blízkosti elektrických vedení vysokého napätia, môže spôsobiť usmrtenie alebo vážne poranenie. Elektrický prúd môže preskočiť z jedného miesta na druhé oblúkom. Čím väčšie je elektrické napätie, tým väčšia je vzdialenosť, na ktorú môže prúd preskočiť. Prúd môžu tiež viesť konáre a iné predmety, najmä ak sú mokré. Vždy dodržiavajte minimálnu vzdialenosť 10 metrov medzi výrobkom a vedením vysokého napätia a/alebo všetkých predmetov, ktoré sa ho dotýkajú. Ak musíte pracovať vo vzdialenosti, ktorá je menšia než bezpečná vzdialenosť, vždy požiadajte spoločnosť zodpovednú za správu vedenia, aby pred začatím práce vyplil prúd. Počas používania výrobku udržiavajte odstup minimálne 15 m od ďalších osôb a zvierat.

rrrtboox

Ykonový štítok zobrazuje výrobné číslo. **yyyy** je rok výroby, **ww** je týždeň výroby.

**Poznámka:** Ostatné symboly/emblémy na výrobku odkazujú na zvláštne požiadavky certifikácie pre niektoré trhy.

## Symbole na batérii a/alebo na nabíjačke batérií



Tento výrobok recyklujte v recyklačnej stanici určenej pre elektrické a elektronické zariadenia. (Uplatňuje sa iba na Európu)



Transformátor odolný voči poruchám.



Nabíjačku batérie používajte a skladujte len v interiéri.



Dvojitá izolácia.

## Zodpovednosť za výrobok

V súlade s právnymi predpismi upravujúcimi zodpovednosť za výrobok nenesieme zodpovednosť za škody spôsobené našim výrobkom v dôsledku:

- nesprávne vykonanej opravy výrobku,
- opravy výrobku, pri ktorej neboli použité diely od výrobcu alebo diely schválené výrobcom,

- používania príslušenstva od iného výrobcu alebo príslušenstva, ktoré nie je schválené výrobcom,
- opravy výrobku, ktoré neboli vykonané v schválenom servisnom stredisku alebo schválenými kompetentnými osobami.

## Bezpečnosť

### Bezpečnostné definície

Výstrahy, upozornenia a poznámky slúžia na zdôraznenie mimoriadne dôležitých častí návodu.



**VÝSTRAHA:** Používa sa, ak pre obsluhu alebo osoby v okolí existuje nebezpečenstvo poranenia alebo smrti v prípade nedodržania pokynov v návode.



**VAROVANIE:** Používa sa, ak hrozí nebezpečenstvo poškodenia produktu, iných materiálov alebo okolitej oblasti v prípade nedodržania pokynov v návode.

**Poznámka:** Používa sa na poskytnutie informácií nad rámec nevyhnutných informácií v danej situácii.

### Všeobecné bezpečnostné upozornenie pre elektrické nástroje



**VÝSTRAHA:** Prečítajte si všetky bezpečnostné upozornenia a pokyny. Nedodržanie týchto výstrah a pokynov môže spôsobiť zásah elektrickým prúdom, požiar a/alebo ťažké zranenia.

**Poznámka:** Uchovajte si všetky upozornenia a pokyny pre budúce použitie. Výraz „elektrický nástroj“ v upozorneniach označuje elektrický nástroj napájaný z elektrickej siete (s káblom) alebo napájaný z akumulátora (bez kábla).

### Bezpečnosť na pracovisku

- **Udržiavajte pracovisko v čistote a dobre osvetlené.** Neporiadok alebo nedostatočné osvetlenie spôsobujú nehody.
- **Nepoužívajte elektrické nástroje vo výbušnom ovzduší, napríklad v prítomnosti horľavých kvapalín, plynov alebo prachu.** Elektrické nástroje vytvárajú iskry, ktoré môžu vznietiť prach alebo výpary.
- **Pri používaní elektrického nástroja zabráňte deťom a okoloidúcim, aby sa zdržiavali vo vašej blízkosti.** Rušivé podnety môžu spôsobiť stratu kontroly.

### Elektrická bezpečnosť

- **Parametre elektrických nástrojov sa musia zhodovať s parametrami napájacej zásuvky. Nikdy a žiadnym spôsobom nemodifikujte elektrický zástrčku. S uzemnenými elektrickými nástrojmi nepoužívajte žiadne adaptérové zástrčky.** Ak sa zástrčky neupravujú a používajú sa zodpovedajúce zásuvky, zníži sa riziko úrazu elektrickým prúdom.
- **Zabráňte kontaktu tela s uzemnenými povrchmi, ako sú rúry, radiátory, sporáky a chladničky.** Riziko úrazu elektrickým prúdom je vyššie, ak je vaše telo uzemnené.
- **Nevystavujte elektrické nástroje dažďu alebo vlhkým podmienkam.** Voda vnikajúca do elektrického náradia zvyšuje riziko úrazu elektrickým prúdom.
- **Nepoužívajte kábel nesprávnym spôsobom. Nikdy nepoužívajte kábel na nosenie, ťahanie alebo odpájanie elektrického náradia. Chráňte šnúru pred horúčavou, olejom, ostrými hranami alebo pohybujúcimi sa dielcami.** Poškodené alebo zamotané káble zvyšujú riziko úrazu elektrickým prúdom.
- **Pri práci s elektrickým náradím vonku používajte predlžovací kábel vhodný na vonkajšie použitie.** Používanie predlžovacej šnúry určenej do vonkajšieho prostredia znižuje riziko zásahu elektrickým prúdom.
- **Ak je nevyhnutné použiť elektrický nástroj vo vlhkom prostredí, na napájanie nástroja použite vedenie vybavené prúdovým chráničom (RCD).** Použitie prúdového chrániča znižuje riziko úrazu elektrickým prúdom.

### Osobná bezpečnosť

- **Buďte pozorní, sledujte, čo robíte, a pri používaní elektrického nástroja postupujte rozumne. Nepoužívajte elektrický nástroj, keď ste unavení alebo pod vplyvom drog, alkoholu alebo liekov.** Chvilka nepozornosti pri používaní elektrických nástrojov môže spôsobiť vážny úraz.
- **Používajte osobné ochranné pomôcky. Vždy noste ochranné prostriedky očí.** Ochranné vybavenie, ako sú napríklad masky proti prachu, bezpečnostné topánky s protišmykovou podrážkou, prilby alebo chrániče sluchu použité vo vhodných prípadoch znižujú počet osobných poranení.

- **Zabráňte neúmyselnému spusteniu zariadenia. Pred pripojením k elektrickej sieti alebo batérii, zdvihnutím alebo prenášaním nástroja overte, či je vypínač vo vypnutej polohe.** Prenášanie elektrických nástrojov s prstom na vypínači alebo pripojenie napájania k nástrojom, ktoré majú vypínač zapnutý, zvyšuje riziko nehôd.
- **Pred zapnutím elektrického nástroja vyberte nastavovací kľúč alebo kľúč na matice.** Kľúč nasadený na otáčajúcu sa časť elektrického nástroja môže spôsobiť úraz.
- **Nenaťahujte sa príliš ďaleko. Vždy si udržiavajte rovnováhu a správny postoj.** To umožňuje lepšie ovládanie elektrického nástroja v neočakávaných situáciách.
- **Vhodne sa oblečte. Nenoste voľné oblečenie alebo šperky. Udržujte svoje vlasy a oblečenie mimo dosahu pohyblivých častí.** Voľné oblečenie, šperky alebo dlhé vlasy sa môžu zachytiť v pohyblivých častiach.
- **Ak je možné pripojiť zariadenia na odsávanie a zber prachu, overte, či sú tieto zariadenia pripojené a či sa správne používajú.** Používanie zberača prachu môže obmedziť nebezpečenstvá týkajúce sa prachu.
- **Nedovoľte, aby vás skúsenosti získané časťm používaním nástrojov uspokojili, a ignorovali by ste bezpečnostné pravidlá pri používaní nástroja.** Neopatrné konanie môže v zlomku sekundy spôsobiť vážne poranenie.
- **Emisia vibrácií počas používania elektrického nástroja sa môže líšiť od deklarovanej celkovej hodnoty v závislosti od spôsobu, akým je elektrický nástroj použitý.** Operátori sú povinní identifikovať a prijať opatrenia pre zaistenie vlastnej bezpečnosti, ktoré sú založené na odhade podmienok pri danom použití nástroja (pritom je potrebné vziať do úvahy všetky časti prevádzkového cyklu, ako napríklad čas, keď je zariadenie vypnuté, čas, keď je zariadenie v pohotovostnom stave a čas, keď je zariadenie spustené).

## Používanie a starostlivosť o elektrické náradie

- **Nepoužívajte elektrický nástroj násilím. Používajte správny elektrický nástroj na danú použitie.** Správny elektrický nástroj vykoná prácu lepšie a bezpečnejšie pri rýchlosti, na akú je určený.
- **Nepoužívajte elektrický nástroj, ak sa nedá zapnúť a vypnúť vypínačom.** Akýkoľvek elektrický nástroj, ktorý sa nedá ovládať vypínačom, je nebezpečný a musí sa opraviť.
- **Pred akýmkoľvek nastavením, výmenou príslušenstva alebo skladovaním elektrického nástroja odpojte zástrčku od zdroja napájania a/alebo akumulátor od elektrického nástroja.** Takéto preventívne bezpečnostné opatrenia znižujú riziko náhodného spustenia elektrického nástroja.
- **Nepoužívané elektrické nástroje udržiavajte mimo dosahu detí a nedovoľte osobám, ktoré nepoznajú elektrické nástroje alebo tieto pokyny, aby elektrický**

**nástroj používali.** Elektrické nástroje sú nebezpečné v rukách neskusených používateľov.

- **Vykonávajte údržbu elektrických nástrojov. Skontrolujte vychýlenie alebo ohnutie pohyblivých častí, nalomenie častí alebo akékoľvek iné poškodenie, ktoré môže ovplyvniť prevádzku elektrického nástroja. Ak je elektrický nástroj poškodený, dajte ho pred použitím opraviť.** Mnoho nehôd je spôsobených nedostatočne udržiavanými elektrickými nástrojmi.
- **Rezacie nástroje udržiavajte nabrúsené a v čistote.** Správne udržiavané rezacie nástroje s ostrými hranami sú menej náchylné na ohnutie a ľahšie sa ovládajú.
- **Používajte elektrický nástroj, príslušenstvo a diely nástroja atď. v súlade s týmito pokynmi, pričom vezmite do úvahy pracovné podmienky a typ vykonávanej práce.** Používanie elektrického náradia na iné ako určené účely môže vyvolať nebezpečnú situáciu.
- **Rukováti a úchytné povrchy udržiavajte suché, čisté a neznečistené olejom a mazivom.** Šmyklivé rukováti a úchytné povrchy neumožňujú bezpečnú manipuláciu a ovládanie nástroja v nečakaných situáciách.

## Používanie nástroja napájaného akumulátorom a starostlivosť oň

- **Nabíjajte iba pomocou nabíjačky špecifikovanej výrobcom.** Nabíjačka, ktorá je vhodná pre jeden typ akumulátora, môže pri použití s iným akumulátorom predstavovať nebezpečenstvo požiaru.
- **Elektrické nástroje používajte iba so špecificky označenými akumulátormi.** Pri použití akéhokoľvek iného akumulátora môže hrozit' nebezpečenstvo poranenia a požiaru.
- **Keď sa akumulátor nepoužíva, udržiajte ho mimo dosahu kovových predmetov, ako sú spony na papier, mince, kľúče, klince, skrutky alebo iné drobné kovové predmety, ktoré môžu vytvoriť spoj medzi svorkami.** Skratovanie svoriek akumulátora môže spôsobiť popáleniny alebo požiar.
- **Pri neopatrnom zaobchádzaní môže z akumulátora uniknúť tekutina. Nedotýkajte sa jej. V prípade náhodného kontaktu umyte postihnuté miesto vodou. Ak sa dostane kvapalina z akumulátora do očí, vyhľadajte aj lekársku pomoc.** Kvapalina vystrekujúca z akumulátora môže spôsobiť podráždenie alebo popáleniny.
- **Nepoužívajte poškodený alebo upravený akumulátor alebo nástroj.** Poškodené alebo upravené akumulátory môžu mať za následok nepredvídateľné fungovanie a spôsobiť požiar, výbuch alebo predstavovať nebezpečenstvo poranenia.
- **Akumulátor alebo nástroj nevystavujte ohňu alebo nadmeme vysokým teplotám.** Pri vystavení ohňu alebo teploty nad 130 °C (265°F) môže dôjsť k výbuchu.
- **Dodržiavajte všetky pokyny na nabíjanie a pri nabíjaní nevystavujte akumulátor alebo nástroj**

teplotám, ktoré sú mimo teplotného rozsahu uvedeného v pokynoch. Pri nesprávnom nabíjaní alebo pri vonkajších teplotách mimo uvedeného rozsahu hrozí poškodenie akumulátora a zvyšuje sa nebezpečenstvo požiaru.

## Servis

- Elektrické náradie zverte do opravy iba kvalifikovanému odborníkovi a používajte iba originálne náhradné súčasti. Tým sa zaisťujú zachovanie bezpečnosti elektrického nástroja.
- Poškodené akumulátory nikdy neservisujte sami. Servis akumulátorov smie vykonávať len výrobca alebo autorizovaný servis.

## Bezpečnostné pokyny pre nadstavce plotostrihu

- Žiadnou časťou tela sa nepribližujte k čepeľi. Nevyberajte rezaný materiál ani nedržte rezaný materiál, keď sa čepele pohybujú. Čepele sa naďalej pohybujú aj po vypnutí vypínača. Chvilka nepozornosti pri používaní plotostrihu môže spôsobiť vážny úraz.
- Plotostrih prenášajte za rúkav' so zastavenou čepeľou a dávajte pozor, aby ste nezapli žiaden vypínač. Správne prenášanie plotostrihu znižuje riziko neúmyselného spustenia a následného zranenia nožmi.
- Pri preprave alebo skladovaní plotostrihu vždy nasadte na čepele kryt. Správna manipulácia s plotostrihom zníži možnosť poranenia čepeľami.
- Pri odstraňovaní zaseknutého materiálu alebo pri údržbe jednotky skontrolujte, či sú všetky vypínače vypnuté a či je odpojený napájací kábel. Neočakávané uvedenie plotostrihu do činnosti pri odstraňovaní zaseknutého materiálu alebo pri údržbe môže spôsobiť vážne poranenie.
- Plotostrih držte iba za izolovanú časť určenú na držanie, pretože čepeľ sa môže dostať do kontaktu so skrytými káblami alebo svojim vlastným káblom. Čepele, ktoré sa dostanú do kontaktu s vodičom pod napätím, môžu priviesť napätie na kovové časti plotostrihu a spôsobiť používateľovi zásah elektrickým prúdom.
- Všetky napájacie káble a ostatné káble udržiavajte mimo oblasti rezania. Napájacie káble alebo iné káble môžu byť skryté v živých plotoch alebo kríkoch a čepeľ ich môže náhodne preseknuť.
- Plotostrih nepoužívajte počas nepriaznivých poveternostných podmienok, najmä ak hrozí riziko bleskov. Zníži sa tým riziko zasiahnutia bleskom.
- Plotostrih s predĺžením na zväčšenie dosahu nikdy nepoužívajte v blízkosti elektrického vedenia, aby sa znížilo riziko zásahu elektrickým prúdom. Kontakt s elektrickým vedením alebo používanie zariadenia v blízkosti elektrického vedenia môže spôsobiť vážne zranenie alebo úraz elektrickým prúdom so smrteľnými následkami.

- Počas používania plotostrihu s predĺžením na zväčšenie dosahu ho vždy držte oboma rukami. Plotostrih s predĺžením na zväčšenie dosahu držte oboma rukami, aby ste nad ním nestratili kontrolu.
- Ak používate plotostrih s predĺžením na zväčšenie dosahu nad hlavou, vždy noste ochranu hlavy. Padajúce časti môžu mať za následok vážne zranenie.

## Všeobecné bezpečnostné pokyny



**VÝSTRAHA:** Skôr než budete výrobok používať, prečítajte si nasledujúce výstrahy.

- Batériu vyberte, aby nedošlo k náhodnému zapnutiu výrobku.
- Tento výrobok môže byť nebezpečný, ak nie ste opatrní alebo ho použijete nesprávne. Tento výrobok môže spôsobiť vážne poranenie alebo usmrtenie obsluhujúceho pracovníka alebo iných osôb.
- Výrobok nepoužívajte, ak sa zmenili jeho pôvodné technické špecifikácie. Nevymieňajte diely výrobku bez schválenia výrobcu. Používajte len diely schválené výrobcom. Nesprávna údržba môže mať za následok poranenie alebo smrť.
- Pred používaním výrobok skontrolujte. Pozrite si časť *Bezpečnostné zariadenia na výrobku na strane 343* a *Údržba na strane 349*. Nepoužívajte poškodený výrobok. Vykonávajte bezpečnostné kontroly, údržbu a dodržiavajte servisné pokyny uvedené v tomto návode.
- Deti musia byť pod dohľadom, aby sa zabezpečilo, že sa s výrobkom nehrajú. Nikdy nedovoľte deťom a iným osobám, ktoré nie sú vyškolené v používaní výrobku a/alebo batérie, používať alebo opravovať výrobok alebo batériu. Vek používateľa môžu stanovovať miestne zákony.
- Výrobok skladujte v uzamknutom priestore mimo dosahu detí a neoprávnených osôb.
- Výrobok skladujte mimo dosahu detí.
- Za žiadnych okolností nemeňte pôvodnú konštrukciu výrobku bez schválenia od výrobcu. Vždy používajte originálne príslušenstvo. Nepovolené zmeny alebo príslušenstvo môžu viesť k vážnemu poraneniu alebo smrti obsluhy a ostatných osôb.

**Poznámka:** Používanie môže byť regulované vnútroštátnymi alebo miestnymi právnymi predpismi. Dodržiavajte príslušné predpisy.

## Bezpečnostné pokyny pre prevádzku



**VÝSTRAHA:** Skôr než budete výrobok používať, prečítajte si nasledujúce výstrahy.

- V prípade neistoty ohľadom ďalšieho postupu sa obráťte na odborníka. Kontaktujte svojho predajcu alebo servisnú dielňu. Vyvarujte sa každému použitiu výrobku, ktoré podla vás presahuje vaše možnosti.
- Nikdy nepoužívajte výrobok pri únave, po požití alkoholu, drog, liekov alebo čokoľvek iného, čo môže viesť k zníženiu vašej zrakovej schopnosti, bdelosti, koordinácie alebo úsudku.
- Práca v nepriaznivom počasí je únavná a často prináša zvýšené nebezpečenstvo. Neodporúča sa používať výrobok za veľmi nepriaznivého počasia, napríklad za hustej hmly, silného dažďa, silného vetra, keď je veľmi chladno alebo počas búrky.
- Chybný rezací nadstavec môže zvýšiť riziko nehôd.
- Nedovoľte, aby výrobok používali deti ani aby sa pohybovali v jeho blízkosti. Keďže sa výrobok ľahko štartuje, deti môžu byť schopné naštartovať ho, pokiaľ nie sú pod neustálym dohľadom. To môže znamenať riziko vážneho poranenia. Odpojte batériu, keď výrobok nie je pod dohľadom.
- Zabezpečte, aby sa počas práce nemohli do okruhu 15 metrov od výrobku dostať žiadni ľudia ani zvieratá. Pokiaľ v rovnakom priestore pracujú niekoľkí používatelia, bezpečná vzdialenosť medzi nimi musí byť minimálne 15 metrov. V opačnom prípade existuje riziko vážneho zranenia. Ak sa niekto k výrobku viac priblíži, okamžite ho zastavte. Nikdy neotáčajte výrobkom okolo seba bez toho, aby ste sa presvedčili, či sa niekto nenachádza v nebezpečnej zóne.
- Ubezpečte sa, že ľudia, zvieratá alebo iné veci nebudú môcť ovplyvniť ovládanie výrobku, nemôžu prísť do kontaktu s rezacím nadstavcom a ani ich nezasiahnu predmety odhodnené rezacím nadstavcom. Výrobok však smiete používať len v prípade, že dokázate privolať pomoc v prípade nehody.
- Vždy skontrolujte pracovnú oblasť. Odstráňte všetky voľné predmety, ako sú kamene, úlomky skla, klinec, ocelové drôty, šnúry a pod., ktoré by mohli pri kosení vyletúvať alebo sa namotať na rezací nadstavec.
- Uistite sa, že sa môžete pohybovať a stáť bezpečne. Skontrolujte, či okolo vás nie sú prekážky (korene, skaly, vetvy, jamy a podobne) pre prípad, že by ste sa museli náhle pohnúť. Dávajte veľký pozor pri práci na prudkých svahoch.
- Za každých okolností udržiavajte dobrú rovnovahu a pevný postoj. Nenaťahuje sa príliš ďaleko.
- Pred prechodom na iné miesto výrobok vypnite. Ak výrobok nepoužívate, pripojte k nemu transportný kryt.
- Výrobok nikdy neodkladajte, kým ho nevypnete. Zapnutý výrobok nenechávajte bez dozoru.
- Pred odovzdaním výrobku inej osobe vyberte batériu.
- Ubezpečte sa, že žiadne oblečenie alebo časti tela neprídu do styku s rezacím nadstavcom po zapnutí výrobku.
- Ak sa počas prevádzky výrobku v rezacom nadstavci niečo zasekne, prácu prerušte a vypnite výrobok. Zaisťte, aby sa rezací nadstavec úplne zastavil. Pred čistením, kontrolou alebo opravou výrobku alebo rezného zariadenia vyberte batériu.
- Po vypnutí výrobku majte ruky a nohy mimo dosahu rezacieho nadstavca, kým sa úplne nezastaví.
- Dávajte pozor na zvyšky konárov, ktoré môžu pri rezaní odletúvať. S výrobkom nepracujte príliš blízko pri zemi, pretože môže dôjsť k odletovaniu kameňov a iných predmetov.
- Dávajte pozor na odletujúce predmety. Vždy používajte schválené chrániče očí. Nikdy sa nenakláňajte ponad kryt rezacieho nadstavca. Kamene, úlomky, atď. môžu zasiahnuť oči a spôsobiť slepotu alebo vážne poranenie.
- Ak nosíte chrániče sluchu, dávajte pozor na varovné signály alebo výkriky. Vždy si chrániče sluchu skladajte hneď, ako sa výrobok zastaví.
- Nikdy nepracujte, ak stojíte na rebriku alebo v inej vyvýšenej polohe, ktorá nie je úplne bezpečná.
- Tento stroj počas prevádzky vytvára elektromagnetické pole. Toto pole môže za určitých okolností spôsobovať rušenie aktívnych alebo pasívnych implantovaných lekárskeho prístrojov. Aby ste znížili nebezpečenstvo vážneho alebo aj smrteľného poranenia, odporúča sa, aby sa osoby s implantovanými pomôckami poradili so svojim lekárom alebo výrobcom pomôcky ešte pred použitím tohto stroja.
- Výrobok vždy držte oboma rukami. Výrobok držte na pravej strane tela.
- Pred odstránením materiálu omotaného na hriadelí noža alebo zachyteného medzi kryt a rezací nadstavec vždy najprv zastavte výrobok, vyberte akumulátor a uistite sa, že sa rezné zariadenie neotáča.
- Elektromagnetické pole môže počas prevádzky spôsobovať rušenie aktívnych alebo pasívnych zdravotníckych implantátov. Osoby so zdravotníckymi implantátmi sa pred používaním tohto výrobku musia poradiť so svojim lekárom a výrobcom zdravotníckeho implantátu.
- Výrobok zadržiavajte pomocou popruhu, aby sa ľahko používal.
- Dlhodobé vystavenie sa hluku môže spôsobiť trvalé poškodenie sluchu. Husqvarna odporúča, aby osoby obsluhujúce zariadenie používali schválené chrániče sluchu.
- Nikdy nepoužívajte výrobok, ktorý bol pozmenený a nezhoduje sa s originálnymi špecifikáciami.
- Nikdy nepoužívajte poškodený výrobok. Vykonávajte bezpečnostné kontroly, údržby a dodržiavajte servisné pokyny uvedené v tomto návode. Určité opatrenia týkajúce sa servisu a údržby zariadenia musia vykonávať iba odborníci. Pozrite si pokyny v časti o údržbe.
- Pred použitím vykonajte celkovú kontrolu výrobku. Pozrite si plán údržby.

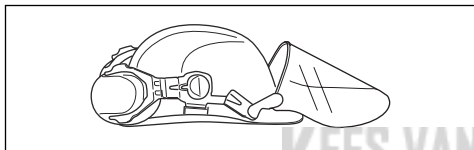
- Nikdy nikomu nedovoľte, aby používal zariadenie bez toho, že by ste sa najprv ubezpečili, že sa oboznámil s návodom na obsluhu a správne pochopil jeho obsah.
- Skontrolujte, či v pracovnej oblasti nie sú cudzie predmety, ako napríklad elektrické káble, zvieratá a pod. alebo iné predmety, napr. predmety z kovu, ktoré by mohli poškodiť rezný nadstavec.
- Chybné nože môžu zvýšiť nebezpečenstvo nehôd.

## Osobné ochranné prostriedky

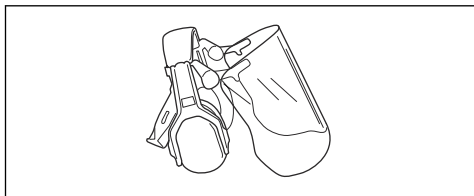


**VÝSTRAHA:** Skôr než budete výrobok používať, prečítajte si nasledujúce výstrahy.

- Pri používaní produktu vždy používajte schválené osobné ochranné prostriedky. Osobné ochranné prostriedky nedokážu úplne vylúčiť riziko, ale môžu znížiť vážnosť zranenia v prípade nehody. Váš predajca vám pomôže pri výbere správnych prostriedkov.
- V prípade rizika padajúcich predmetov používajte ochrannú prilbu.



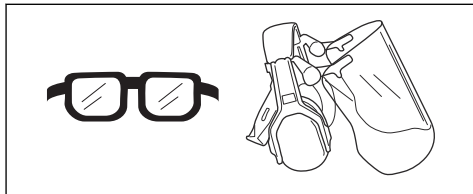
- Pri dlhodobom vystavení hluku hrozí riziko poškodenia sluchu. Produkty napájané batériami bývajú spravidla relatívne tiché, ale hladina hluku v kombinácii s dlhodobším používaním môže spôsobiť poškodenie. Spoločnosť Husqvarna odporúča, aby pracovníci obsluhujúci produkt počas dlhších súvislých úsekov dňa nosili chrániče sluchu. Osoby, ktoré produkt používajú sústavne a pravidelne, by si mali nechať pravidelne kontrolovať sluch.



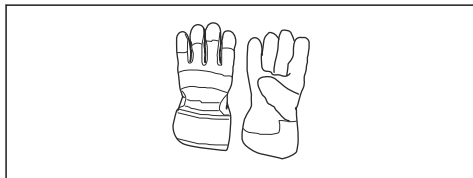
**VÝSTRAHA:** Chrániče sluchu obmedzujú schopnosť počuť zvuky a varovné signály.

- Používajte schválené chrániče očí. Ak používate štít, musíte tiež používať schválené ochranné okuliare. Schválené ochranné okuliare musia zodpovedať

norme ANSI Z87.1 platnej v USA alebo norme EN 166 platnej v krajinách EÚ.



- Keď je to potrebné, používajte rukavice, ako napríklad pri montáži, kontrole alebo čistení rezného zariadenia.



- Používajte odev vyrobený z pevnej tkaniny. Vždy noste pevné, dlhé nohavice a dlhé rukávy. Nepoužívajte voľný odev, ktorý sa môže zachytiť v konároch a vetvách. Nenoste šperky, krátke nohavice, sandále a nebuďte bosí. Vlasy si bezpečne uchyťte nad úrovňou ramien.
- Majte poruke pomôcky na poskytnutie prvej pomoci.



## Bezpečnostné zariadenia na výrobu



**VÝSTRAHA:** Skôr než budete používať produkt, prečítajte si nasledujúce výstrahy.

V tejto časti je opísané bezpečnostné vybavenie výrobku, jeho účel a postup, ako vykonávať kontroly a údržbu, aby bola zabezpečená jeho správna činnosť. Pozrite si pokyny v časti *Prehľad výrobku na strane 337*, kde nájdete umiestnenie týchto súčastí na výrobku.

Ak údržba výrobku nebude vykonávaná správne, skrúti sa tým jeho životnosť a zvýši sa riziko nehodovosti. Servis a/alebo opravy musia byť vykonané odborne. Ak potrebujete podrobnejšie informácie, obráťte sa na najbližší servis.



**VÝSTRAHA:** Nikdy nepoužívajte výrobok, ktorý má chybné bezpečnostné súčasti. Bezpečnostné vybavenie výrobku sa musí kontrolovať a udržiavať tak, ako je to opísané v tejto časti. Ak výrobok neprejde

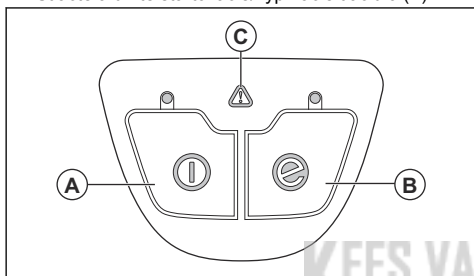
niektorou z kontrol, obráťte sa na servisného zástupcu na účel opravy.



**VAROVANIE:** Všetky servisné a opravné práce na stroji si vyžadujú špeciálne školenie. Toto najmä platí o bezpečnostnom vybavení výrobku. Ak stroj neprejde niektorou z kontrol popísaných nižšie, doneste ho do servisnej dielne. Pri kúpe ktoréhokolvek z našich výrobkov vám zaručujeme dostupnosť odborných opráv a servis. Ak maloobchodný predajca, ktorý vám predáva stroj nie je servisný zástupca, požiadajte ho o adresu najbližšej servisnej dielne.

### Kontrola klávesnice

1. Stlačte a držte štartovacie/vypínacie tlačidlo (A).

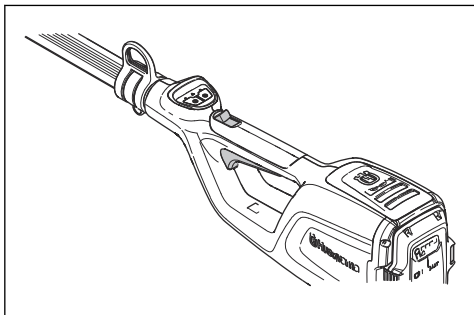


- a) Produkt je zapnutý, keď svieti dióda LED.
- b) Produkt je vypnutý, keď nesvieti dióda LED.

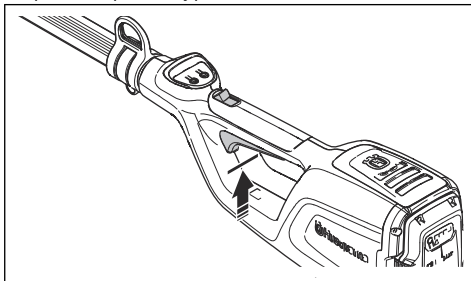
2. Pozrite si časť *Spustenie funkcie SavE na strane 348*, ktorá sa týka funkcie tlačidla SavE (B).
3. Ak svieti alebo bliká indikátor upozornenia (C), pozrite si časť *Riešenie problémov na strane 350*.

### Kontrola poistky páčky vypínača

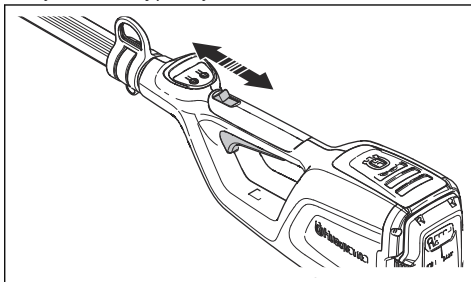
Poistka páčky vypínača zabraňuje náhodnému spusteniu. Keď uvoľníte rukoväť, páčka vypínača aj poistka páčky vypínača sa vrátia späť do svojej pôvodnej polohy.



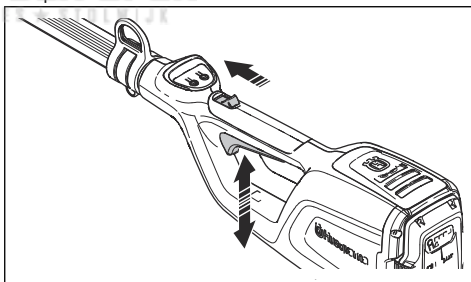
1. Ubezpečte sa, že je páčka vypínača zaistená, keď je poistka v pôvodnej polohe.



2. Stlačte a uvoľnite poistku a uistite sa, že sa vráti do východiskovej polohy.



3. Skontrolujte, či sa páčka vypínača a poistka vypínača pohybujú voľne a či vratná pružina funguje správne.



4. Spustenie výrobku – pozrite si časť *Zapnutie výrobku na strane 347*.
5. Aktivujte plné otáčky.
6. Uvoľníte páčku vypínača a skontrolujte, či sa rezací nadstavec úplne zastavil.

### Bezpečnosť akumulátorov



**VÝSTRAHA:** Skôr než budete výrobok používať, prečítajte si nasledujúce výstrahy.

- Odporúčaná batéria je BLi10. Pozrite si časť *Technické údaje na strane 351*. Batéria je zakódovaná softvérom.



- Nabíjateľnú batériu BLi10 používajte iba na napájanie príslušných výrobkov značky Husqvarna. V prípade iných zariadení nepoužívajte batériu ako zdroj napájania, aby ste zabránili riziku zranenia.
- Nebezpečenstvo zásahu elektrickým prúdom. Nepripájajte konektory batérie ku kľúčom, minciam, skrutkám ani k iným kovovým predmetom. Môže dôjsť k skratu batérie.
- Nepoužívajte nenabíjateľné akumulátory.
- Do vetracích otvorov batérie nekladajte žiadne predmety.
- Batériu nevystavuje priamemu slnečnému žiareniu, teplu ani otvorenému ohňu. Batéria môže spôsobiť popálenie alebo poleptanie.
- Batériu nevystavuje dažďu ani vlhku.
- Batériu nevystavuje mikrovlnnému žiareniu ani vysokému tlaku.
- Nepokúšajte sa rozoberať ani rozdrviť batériu.
- V prípade úniku kvapaliny z batérie zabráňte zasiahnutiu pokožky a očí kvapalinou. V prípade kontaktu s kvapalinou umyte zasiahnutú oblasť veľkým množstvom vody s mydlom a vyhľadajte lekársku pomoc. Ak sa vám kvapalina dostane do očí, nepretierajte si ich, ale si ich minimálne 15 minút vyplachujte vodou. Následne vyhľadajte lekársku pomoc.
- Batériu používajte v prostredí, v ktorom sa teplota pohybuje od  $-10\text{ }^{\circ}\text{C}$  ( $14\text{ }^{\circ}\text{F}$ ) do  $40\text{ }^{\circ}\text{C}$  ( $114\text{ }^{\circ}\text{F}$ ).
- Batériu ani nabíjačku batérií nečistite vodou. Pozrite si časť *Čistenie výrobku, batérie a nabíjačky batérií na strane 349*.
- Nepoužívajte chybnú ani poškodenú batériu.
- Batérie uchovávajte v bezpečnej vzdialenosti od kovových predmetov, ako sú napr. kince, skrutky alebo šperky.
- Batériu uchovávajte mimo dosahu detí.
- Nabíjačku batérií nepoužívajte v blízkosti horľavých materiálov alebo materiálov, ktoré spôsobujú koróziu. Skontrolujte, či nabíjačka batérií nie je zakrytá. V prípade výskytu dymu alebo ohňa odpojte zástrčku nabíjačky batérií.
- Batériu nabíjajte len v interiéri na miestach s dobrým prúdením vzduchu a mimo slnečného svetla. Batériu nenabíjajte vonku. Batériu nenabíjajte vo vlhkom prostredí.
- Nabíjačku batérií používajte iba pri teplotách od  $5\text{ }^{\circ}\text{C}$  ( $41\text{ }^{\circ}\text{F}$ ) do  $40\text{ }^{\circ}\text{C}$  ( $104\text{ }^{\circ}\text{F}$ ). Nabíjačku používajte v prostredí, ktoré je dobre vetrané, suché a bez prachu.
- Do chladiacich otvorov nabíjačky batérií nekladajte žiadne predmety.
- Nikdy nepripájajte koncovky nabíjačky batérií ku kovovým predmetom, pretože tak môže nabíjačka skratovať.
- Používajte schválené elektrické zásuvky, ktoré nie sú poškodené. Skontrolujte, či nie je poškodený kábel nabíjačky batérií. Ak používate predĺžovacie káble, uistite sa, že nie sú poškodené.

## Bezpečnostné pokyny pre údržbu



**VÝSTRAHA:** Skôr než začnete s údržbou výrobku, prečítajte si nasledujúce výstrahy.

## Bezpečnosť nabíjačky batérií



**VÝSTRAHA:** Skôr než budete výrobok používať, prečítajte si nasledujúce výstrahy.

- V prípade nedodržania bezpečnostných pokynov hrozí nebezpečenstvo zásahu elektrickým prúdom alebo skratu.
- Používajte len nabíjačku batérií dodanú s vašim výrobkom. Odporúčaná batéria je QC80 keď nabíjať BLi10 batériu.
- Nabíjačku batérií sa nepokúšajte rozoberať.
- Nepoužívajte chybnú alebo poškodenú nabíjačku batérií.
- Nabíjačku batérií nedvíhajte za napájací kábel. Pri odpájaní nabíjačky batérií od sieťovej zásuvky ťahajte za zástrčku. Neťahajte za napájací kábel.
- Udržiavajte všetky káble a predĺžovacie káble mimo dosahu vody, oleja a ostrých hrán. Dbajte, aby sa kábel nezachytil vo dverách, plotoch a podobne.
- Pred vykonávaním údržby, inými kontrolami alebo zmontovaním produktu vyberte batériu.
- Obsluha je povinná vykonávať iba údržbu a servisné úkony uvedené v tomto návode na obsluhu. O vykonanie rozsiahlejšej údržby alebo servisu požiadajte svojho servisného zástupcu.
- Batériu ani nabíjačku batérií nečistite vodou. Silné čistiace prostriedky môžu spôsobiť poškodenie plastov.
- V prípade zanedbania údržby sa skracuje životnosť výrobku a zvyšuje sa riziko vzniku nehôd.
- Na vykonávanie všetkých servisných a opravných úkonov, najmä na bezpečnostných zariadeniach na výrobku, je potrebné špeciálne odborné vzdelanie. Ak po vykonaní údržby nie je možné úspešne vykonať všetky kontroly v tomto návode na obsluhu, požiadajte o pomoc servisného predajcu. Zaručujeme, pre tento výrobok sú k dispozícii profesionálne opravné a servisné služby.
- Udržiavajte zuby čepele správne nabrúsené. Postupujte podľa našich odporúčaní. Pozrite si aj inštrukcie uvedené na obale čepele.
- Používajte iba originálne náhradné diely.
- Pri opravě rezaceho nadstavca vždy noste odolné rukavice. Čepele sú veľmi ostré a ľahko sa na nich môžete poraniť.

# Montáž

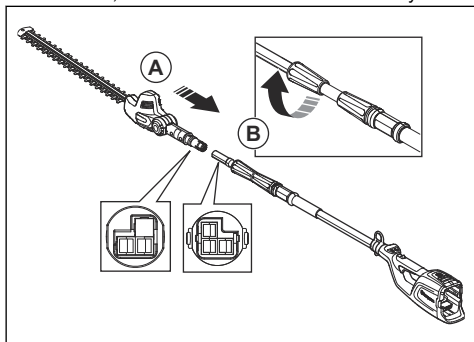
## Úvod



**VÝSTRAHA:** Pred montážou výrobku si prečítajte kapitolu o bezpečnosti a uistite sa, že rozumiete informáciám, ktoré sa v nej uvádzajú.

## Montáž hriadeľa

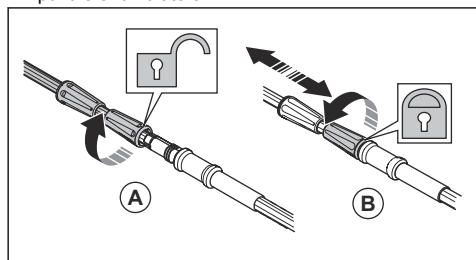
1. Uistite sa, že sú zarovnané elektrické zástrčky.



2. Úplne pripojte konce hriadeľa (A).
3. Utiahnite závitovú rukoväť (B) na strane hlavy plotostrihu.

## Nastavenie dĺžky hriadeľa

1. Povoľte závitovú rukoväť (A) na strane puzdra akumulátora.

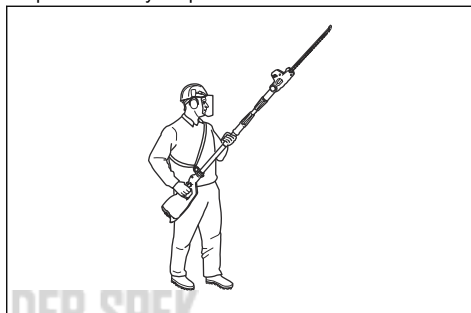


2. Nastavte hriadeľ na príslušnú dĺžku.
3. Utiahnite závitovú rukoväť (B).

## Nastavenie popruhu

Počas používania výrobku vždy používajte popruh. Popruh vám počas používania výrobku poskytne maximálnu kontrolu. Popruh znižuje riziko únavy ramien a chrbta.

1. Popruh si preveste cez plecia.
2. Pripievte výrobok k podpornému háku popruhu.
3. Upravte dĺžku popruhu tak, aby bol podporný hák približne vo výške pravého boku.



# Prevádzka

## Úvod



**VÝSTRAHA:** Pred používaním výrobku si prečítajte kapitolu o bezpečnosti a uistite sa, že rozumiete informáciám, ktoré sa v nej uvádzajú.

## Postup pred spustením výrobku

1. Skontrolujte pracovnú plochu. Odstráňte všetky predmety, ktoré by mohli byť odhodnené
2. Skontrolujte rezací nadstavec. Skontrolujte, či sú čepele ostré, bez prasklín a poškodenia.

3. Skontrolujte, či výrobok funguje správne. Skontrolujte, či sú všetky matice a skrutky zatiahnuté.
4. Uistite sa, že rukoväť a bezpečnostné zariadenia nie sú poškodené a sú správne nasadené. Výrobok nepoužívajte, ak na ňom chýbajú diely alebo sa oproti počiatočnej špecifikácii zmenil. V prípade potreby používajte ochranné rukavice.
5. Skôr ako začnete výrobok používať, uistite sa že kryty nie sú poškodené a sú správne nasadené.

## Pripojenie nabíjačky batérií

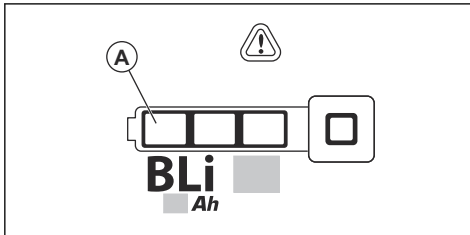
1. Pripojte nabíjačku batérií k napätiu a frekvencii, ktoré sú uvedené na výkonnovom štítku.
2. Zapojte zástrčku do uzemnenej zásuvky. Indikátor LED na nabíjačke batérií raz blikne nazeleno.

**Poznámka:** Batéria sa nenabíja, pokiaľ je jej teplota vyššia ako 50 °C (122 °F). Ak je teplota vyššia ako 50 °C (122 °F), nabíjačka batérií nechá batériu pred nabitím ochladiť.

## Pripojenie akumulátora k nabíjačke akumulátorov

**Poznámka:** Ak batériu používate prvýkrát, nabite ju. Nová batéria je nabitá iba na 30 %.

1. Uistite sa, že je batéria suchá.
2. Pripojte akumulátor k nabíjačke akumulátorov.
3. Uistite sa, či sa rozsvietilo zelené svetlo nabíjania na nabíjačke akumulátorov. To znamená, že akumulátor je správne pripojený k nabíjačke batérií.
4. Keď svietia všetky diódy LED (A) na akumulátore, akumulátor je plne nabitý.



5. Pri odpájaní nabíjačky akumulátorov od sieťovej zásuvky ťahajte za zástrčku. Neťahajte za šnúru.
6. Vyberte batériu z nabíjačky batérií.

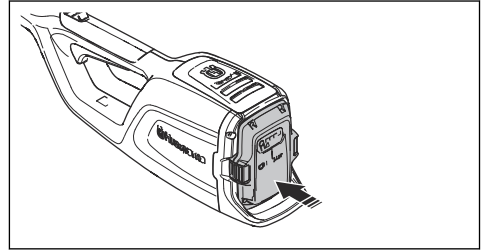
**Poznámka:** Ďalšie informácie nájdete v návodoch k akumulátoru a nabíjačke akumulátorov.

## Pripojenie akumulátora k výrobku



**VÝSTRAHA:** Vo výrobku používajte iba originálne batérie Husqvarna.

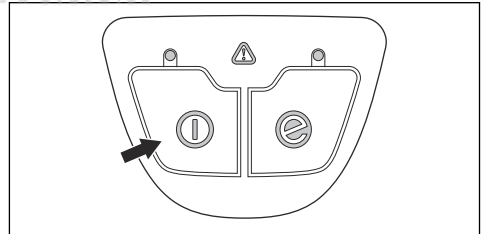
1. Uistite sa, že je akumulátor plne nabitý.
2. Vložte akumulátor do držiaka na akumulátor na výrobku. Akumulátor sa musí dať ľahko zasunúť do držiaka, v opačnom prípade nie je nainštalovaný správne.



3. Zatlacíte na spodnú časť akumulátora a zatlačíte ho úplne do držiaka akumulátora. Akumulátor sa zaistí na mieste, keď sa ozve cvaknutie.
4. Uistite sa, že sa západky riadne zaistili do správnej polohy.

## Zapnutie výrobku

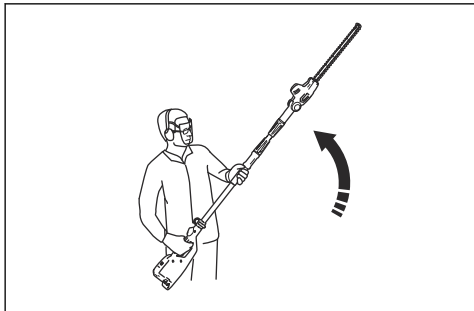
1. Stlačte a podržte štartovacie/vypínacie tlačidlo, kým sa nerozsvieti zelený indikátor LED.



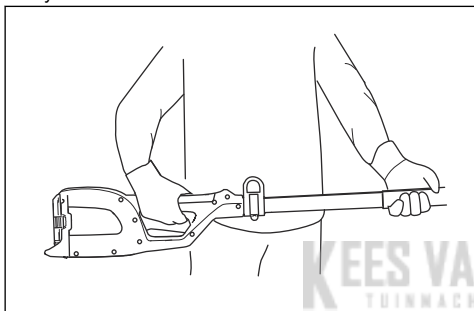
2. Potiahnite poistku páčky vypínača dozadu a podržte páčku vypínača.

## Obsluha výrobku

- Štartujte výrobok pri zemi a pri rezaní bočných častí plota posúvajte výrobok smerom nahor pozdĺž plota.



- Na zabezpečenie stabilnej polohy pri práci držte výrobok v blízkosti tela.

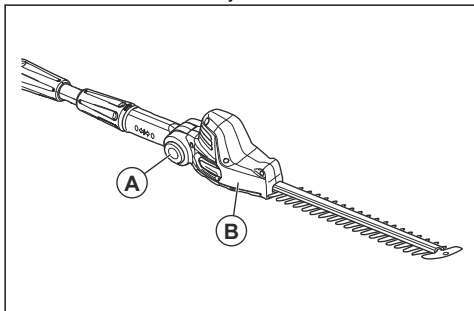


- Dávajte pozor, aby sa špička rezného zariadenia nedotýkala zeme.
- Buďte opatrní a pracujte pomaly, kým sa správne neodrežú všetky halúzky.

## Nastavenie uhla rezacieho nastavca

Rezací nastavec sa dá nastaviť na 7 rôznych polôh.

1. Zastavte zariadenie a vyberte akumulátor.

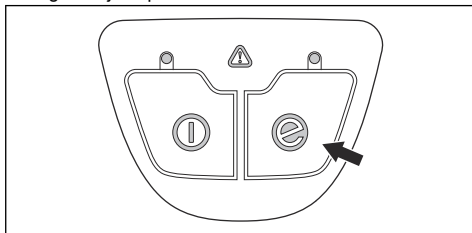


2. Držte pevne opláštenie (B).
3. Stlačte a podržte blokovacie tlačidlá (A) na 2 stranách opláštenia (B).
4. Posuňte rezací nastavec do správneho uhla.
5. Uvoľnite blokovacie tlačidlá (A) na 2 stranách.
6. Pohybné opláštením (B) nahor a nadol, kým rezný nastavec nezaklapne na miesto.

## Spustenie funkcie SavE

Výrobok je vybavený funkciou SavE. Funkcia SavE zaisťuje najdlhšiu možnú prevádzku pri napájaní z akumulátora.

1. Stlačte tlačidlo SavE. Rozsvieti sa LED dióda, ktorá signalizuje zapnutie funkcie.



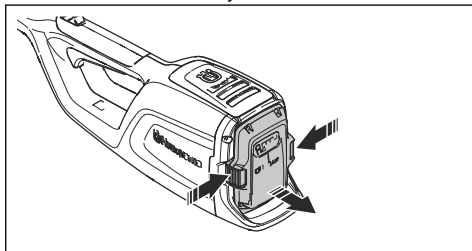
2. Funkciu vypnete opätovným stlačením tlačidla SavE.

## Funkcia automatického vypnutia

Výrobok disponuje funkciou automatického vypnutia, ktorá výrobok vypne, ak sa nepoužíva. Zelený indikátor LED na signalizáciu spustenia/zastavenia sa vypne a výrobok sa po 60 sekundách zastaví.

## Zastavenie výrobku

1. Uvoľníte páčku vypínača.
2. Stlačte a podržte tlačidlo spustenia/zastavenia, kým zelené svetlo LED nezhasne.
3. Vyberte akumulátor z výrobku. Zatláčte 2 uvoľňovacie tlačidlá a vytiahnite akumulátor von.



# Údržba

## Úvod



**VÝSTRAHA:** Pred údržbou výrobku si prečítajte kapitolu o bezpečnosti a uistite sa, že rozumiete informáciám, ktoré sú v nej uvedené.

## Plán údržby

Nasleduje zoznam postupov údržby, ktoré na výrobku musíte vykonávať.



**VÝSTRAHA:** Pred vykonaním údržby výrobku vyberte batériu.

Údržba	Pred použitím	Týždenne	Mesačne
Vyčistite vonkajšie časti výrobku.	X		
Skontrolujte funkčnosť a stav štartovacieho a vypínacieho tlačidla.	X		
Skontrolujte, či páčka vypínača a zaistenie páčky vypínača fungujú správne z bezpečnostného hľadiska.	X		
Skontrolujte, či všetky ovládače fungujú a nie sú poškodené.	X		
Skontrolujte, či sa na rezacej čepeľi a na kryte čepele nenachádzajú praskliny a či nie sú poškodené. Vymeňte rezaciu čepeľ alebo kryt čepele, ak sa na nich nachádzajú praskliny alebo ak boli vystavené nárazu.	X		
Ak je rezacia čepeľ ohnutá alebo poškodená, vymeňte ju.	X		
Skontrolujte, či sú matice a skrutky dotiahnuté.	X		
Skontrolujte, či batéria nie je poškodená.	X		
Uistite sa, že je batéria nabitá.	X		
Skontrolujte, či nabíjačka batérie nie je poškodená.	X		
Skontrolujte, či sú skrutky držiace rezacie čepele správne utiahnuté.		X	
Skontrolujte prepojenia medzi batériou a výrobkom. Skontrolujte aj prepojenie medzi batériou a nabíjačkou batérie.			X

## Kontrola batérie a nabíjačky batérií

1. Skontrolujte, či nie je batéria poškodená, napríklad prasknutá.
2. Skontrolujte, či nie je nabíjačka batérií poškodená, napríklad prasknutá.
3. Skontrolujte, či pripájací kábel nabíjačky batérie nie je poškodený a či na ňom nie sú praskliny.

## Čistenie výrobku, batérie a nabíjačky batérií

1. Výrobok po použití očistíte suchou handričkou.
2. Očistíte batériu a nabíjačku batérií čistou handričkou. Vodiace dráhy batérie udržiavajte čisté.

3. Než vložíte batériu do nabíjačky alebo výrobku, skontrolujte, či sú koncovky na batérii a nabíjačke batérií čisté.

## Kontrola rezacej čepele

1. Pred použitím a po použití výrobku odstráňte z rezacích čepeľí nežiaduci materiál pomocou protikorozyneho čistiaceho prostriedku.
2. Skontrolujte, či nie sú poškodené a zdeformované okraje rezacích čepeľí.
3. Pomocou pilníka odstráňte ostriny na rezacej čepeľi.
4. Skontrolujte, či sa rezacie čepele voľne pohybujú.

## Čistenie a mazanie čepelí

1. Pred použitím a po použití výrobku odstráňte z nožov nežiaduci materiál.
2. Pred uskladnením na dlhé obdobie nože namažte.

**Poznámka:** Ak potrebujete ďalšie informácie o odporúčaných čistiacich prostriedkoch a mazivách, obráťte sa na servisného predajcu.

- Použite špeciálne mazivo Husqvarna. Ak potrebujete ďalšie informácie o odporúčanom mazive, obráťte sa na servisného predajcu.
- Použite iba malé množstvo špeciálneho maziva vysokej kvality.



**VAROVANIE:** Skriňu prevodovky nenapĺňajte mazivom na maximum.

## Mazanie prevodovky

Ak bola prevodovka rozmontovaná schváleným servisným predajcom, naneste mazivo do skrine prevodovky.

## Riešenie problémov

### Klávesnica

Displej LED	Možné poruchy	Možné riešenia
Bliká indikátor LED, ktorý signalizuje poruchu.	Preťaženie	Rezací nadstavec sa voľne nepohybuje. Uvoľnite rezací nadstavec.
Výrobok sa nedá spustiť.	Na konektoroch akumulátora sa nachádzajú nečistoty.	Očistite konektory batérie stlačeným vzduchom alebo jemnou kefou.
Indikátor LED, ktorý signalizuje poruchu, sa rozsvieti načerveno.	Na výrobku je potrebné vykonať servisný zásah	Obráťte sa na servisného predajcu.

KEES VAN DER SPEK  
TUINMACHINES \* STOLWIJK

### Batéria

LED displej	Možné poruchy	Možná činnosť
Bliká zelený indikátor LED.	Nízke napätie batérie.	Nabite batériu.
Bliká indikátor LED, ktorý signalizuje poruchu.	Teplotná odchýlka.	Batériu používajte v prostredí, v ktorom sa teplota pohybuje od -10°C (14°F) do 40°C (104°F).
	Príliš vysoké napätie.	Skontrolujte, či sieťové napätie zodpovedá napätiu uvedenému na výkone štítiku výrobku. Vyberte batériu z nabíjačky batérií.
Svieti indikátor LED, ktorý signalizuje poruchu.	V článkoch je príliš veľký rozdiel (1 V).	Obráťte sa na servisného predajcu.

## Nabíjačka batérií

Problém	Možné poruchy	Možné riešenie
Bliká červená chybová dióda LED.	Teplotná odchýlka.	Nabíjačku batérií používajte v rozmedzí teploty od 5 °C (41 °F) do 40 °C (104 °F).
Rozsvieti sa červená chybová dióda LED.	V článkoch je príliš veľký rozdiel (1 V).	Obráťte sa na servisného predajcu.

## Preprava, skladovanie a likvidácia

### Preprava a uskladnenie

- Dodávané lítium-iónové batérie spĺňajú požiadavky právnych predpisov, ktoré sa týkajú nebezpečného tovaru.
- Dodržiavajte špeciálne požiadavky na balení a štítkoch pri obchodnej preprave. Táto požiadavka platí aj pre tretie strany a prepravcov.
- Pred odoslaním výrobku sa poraďte s osobou s osobitým vzdelaním v oblasti nebezpečných materiálov. Dodržiavajte všetky príslušné vnútroštátne právne predpisy.
- Odhalené kontakty zaistite páskou pri vkladaní akumulátora do balenia. Batériu v balení pevne zabezpečte, aby sa nemohla posúvať.
- Pred skladovaním alebo prepravou batériu vyberte.
- Umiestnite batériu a nabíjačku batérií do suchého priestoru bez výskytu vlhkosti a mrazov.
- Neskladujte batériu na mieste, kde sa môže vyskytovať statická elektrina. Batériu nekladajte do kovovej skrinky.
- Batériu uložte na mieste, kde sa teplota pohybuje v intervale 5°C (41°F) až 25°C (77°F) a kde je chránená pred priamym slnečným svetlom.
- Nabíjačku batérií uložte na mieste, kde sa teplota pohybuje v intervale 5 °C (41 °F) až 45°C (113°F) a kde je chránená pred priamym slnečným svetlom.
- Nabíjačku batérií používajte iba vtedy, keď je teplota okolitého prostredia v rozsahu 5°C (41 °F) až 40°C (104°F).
- Pred dlhodobým skladovaním batériu nabite na 30 – 50 % kapacity.
- Nabíjačku batérií uchovajte na uzavretom a suchom mieste.
- Batéria skladujte mimo nabíjačky batérií. Nedovoľte deťom ani iným nepovolaným osobám, aby sa dotýkali zariadenia. Uchovávajúce zariadenia na mieste, ktoré je možné uzamknúť.
- Pred dlhodobým uskladnením výrobok vyčistite a vykonajte kompletný servis.
- Pomocou prepravného krytu na výrobku zamedzte vzniku zranení alebo poškodenia produktu počas prepravy a uskladnenia.
- Pred prepravou výrobok bezpečne upevnite.

### Likvidácia batérie, nabíjačky batérií a výrobku

Symbols na výrobku alebo na obale výrobku označujú, že tento výrobok nepredstavuje komunálny odpad. Recyklujte ho v recyklačnej stanici určenej pre elektrické a elektronické zariadenia. Napomôže tým zamedziť vzniku poškodeniu životného prostredia a osôb.

Ďalšie informácie o recyklácii výrobku získate od miestnych úradov, služby na likvidáciu komunálneho odpadu alebo predajcu.

## Technické údaje

### Technické údaje

	120ITK4-H
Motor	
Typ motora	PMDC 36V

	<b>120ITK4-H</b>
<b>Hmotnosť</b>	
Hmotnosť bez batérie, kg	4,6
Hmotnosť s batériou (základná batéria BLi10), kg	5,3
<b>Emisie hluku<sup>58</sup></b>	
Nameraná úroveň hlučnosti dB(A)	91,32
Zaručená L <sub>WA</sub> úroveň hlučnosti dB(A)	94
<b>Úrovně hlučnosti<sup>59</sup></b>	
Hladina akustického tlaku pri uchu používateľa meraná podľa normy EN 62841-1 a EN 62841-4-2, dB(A)	81,3
<b>Úrovně vibrácií<sup>60</sup></b>	
Stupne vibrácií (a <sub>h</sub> ), predné/zadné rukoväti, m/s <sup>2</sup> . Pozrite si normy EN 62841-1 a EN 62841-4-2.	1,223/0,816
<b>Rezné zariadenie</b>	
Typ	Obojstranné
Dĺžka noža, mm	500
Rýchlosť čepele, rezy/min v režime SavE	2250
Rýchlosť čepele, rezy/min mimo režimu SavE	2800

KEES VAN DER SPEK  
TUINMACHINES \* STOLWIJK

## Schválené nabíjačky akumulátorov

<b>Nabíjačka batérie</b>	<b>QC80</b>
Vstupné napätie, V	100 – 240
Frekvencia, Hz	50 – 60
Výkon, W	100
Výstupné napätie, V DC/A	36/2

<sup>58</sup> Hladina hluku meraná ako akustický tlak (L<sub>WA</sub>) v súlade s európskou smernicou 2000/14/ES. Rozdiel medzi zaručeným a nameraným akustickým výkonom spočíva v tom, že zaručený akustický výkon zahŕňa aj rozptyl výsledkov merania a rozdiely medzi jednotlivými výrobkami rovnakého modelu v súlade so smernicou 2000/14/ES.

<sup>59</sup> Typický štatistický rozptyl hladiny akustického tlaku je štandardná odchýlka 3 dB (A).

<sup>60</sup> Uvádzané údaje pre ekvivalentný stupeň vibrácií majú typický štatistický rozptyl (štandardnú odchýlku) 1,5 m/s<sup>2</sup>.

Deklarovaná celková hodnota vibrácií bola meraná v súlade so štandardne používanou testovacou metódou, pričom tieto hodnoty môžu slúžiť na porovnanie jedného nástroja s iným.

Deklarovanú celkovú hodnotu vibrácií možno použiť aj pri predbežnom vyhodnotení účinkov.



## Schválené batérie pre výrobok

<b>Akumulátor</b>	<b>BL10</b>
Typ	Lítium-iónová
Kapacita batérie, Ah	Pozrite si výkonový štítok batérie
Menovité napätie, V	36
Hmotnosť, kg	0,7

**KEES VAN DER SPEK**  
TUINMACHINES ★ STOLWIJK

---

## ES vyhlásenie o zhode

---

### ES vyhlásenie o zhode

**Husqvarna AB**, SE-561 82 Huskvarna, Švédsko, tel.: +46-36-146500, vyhlasuje, že plotostrih **Husqvarna 120ITK4-H** so sériovými číslami od roku 2021 (rok je zreteľne uvedený na výkonovom štítku, za ním nasleduje sériové číslo) vyhovujú požiadavkám SMERNICE RADY:

- zo 17. mája 2006 o strojových zariadeniach **2006/42/ES**,
- z 26. februára 2014 vzťahujúca sa na elektromagnetickú kompatibilitu, **2014/30/EÚ**,
- z 8. júna 2011 o „obmedzení používania určitých nebezpečných látok“ **2011/65/EÚ**.

Boli uplatnené nasledujúce normy:

**EN 62841-1:2015, EN 62841-4-2:2019, EN 55014-1:2017+A11, EN 55014-2:2015, CISPR12:2007+A1 2009, EN IEC 63000:2018.**

Spoločnosť TÜV Rheinland LGA Products GmbH, Tillystrasse 2, D-90431 Nuernberg, Germany, z poverenia spoločnosti Husqvarna AB vykonala dobrovoľnú typovú skúšku. Certifikát má číslo: **AM 50491653 0001**.

Huskvarna 2020-12-30



**KEES VAN DER SPEK**  
TUINMACHINES \* STOLWIJK

Pär Martinsson, manažér pre oblasť vývoja  
(autorizovaný zástupca spoločnosti Husqvarna AB  
a osoba zodpovedná za technickú dokumentáciu.)

# VSEBINA

Uvod.....	355	Odpravljanje težav.....	368
Varnost.....	357	Transport skladiščenje in odstranitev.....	368
Montaža.....	363	Tehnični podatki.....	369
Delovanje.....	364	Izjava ES o skladnosti.....	371
Vzdrževanje.....	366		

## Uvod

### Opis izdelka

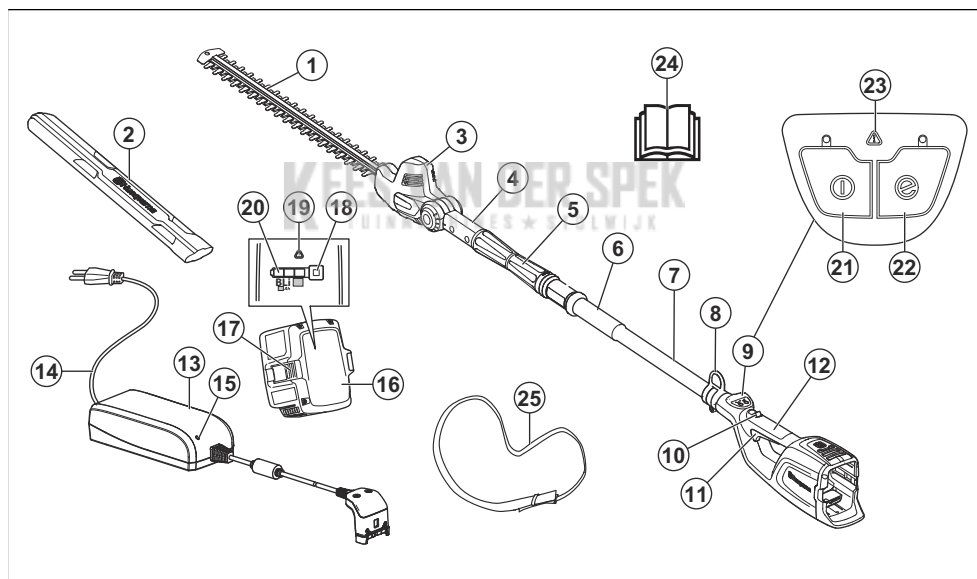
Husqvarna 120iTK4-H je baterijski teleskopski obrezovalnik žive meje.

Stalno delamo na tem, da bi povečali varnost in učinkovitost med delovanjem. Če potrebujete več informacij, se obrnite na servisnega zastopnika.

### Namen uporabe

Izdelek uporabljajte za obrezovanje vej in vejic. Izdelka ne uporabljajte za druga opravila.

### Pregled izdelka



1. Lopatica
2. Transportna zaščita
3. Ohišje
4. Položaj deljenega ročaja
5. Teleskopska funkcija
6. Sprednji ročaj
7. Gred
8. Nosilni kavelj oprtnika
9. Tipkovnica
10. Zaklepni mehanizem sprožilca plina
11. Sprožilec plina
12. Zadnji ročaj
13. Baterijski polnilnik
14. Nitka
15. Indikator LED za vklop/opozarjanje
16. Akumulator
17. Gumbi za sprostitvev baterij
18. Indikatorski gumb stanja baterije
19. Opozorilni indikator LED
20. Indikator LED za baterijo

21. Gumb za vklop/izklop
22. Gumb SavE
23. Opozorilni indikator LED
24. Navodila za uporabo
25. Oprtnik

## Simboli na izdelku



**OPOZORILO!** Ta izdelek je nevaren. Neprevidna in nepravilna uporaba izdelka lahko povzroči poškodbe in celo smrt uporabnika ali drugih navzočih oseb. Da preprečite poškodbe uporabnika ali drugih navzočih oseb, preberite in upoštevajte varnostna navodila v navodilih za uporabo. Pred začetkom uporabe izdelka natančno preberite navodila za uporabo in se prepričajte, da ste jih razumeli.



Na območjih, kjer bi lahko na vas padel kakšen predmet, uporabljajte zaščitno čelado. Uporabljajte odobreno zaščito za sluh. Uporabljajte odobreno zaščito oči.



Uporabljajte odobrene zaščitne rokavice.



Izdelek je skladen z veljavnimi direktivami ES.



Nazivna napetost, V



Enosmerni tok.



Izdelek ne sme biti izpostavljen dežju.



Z rokami ne segajte v območje rezila.



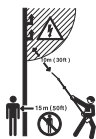
Teleskopska funkcija.



Deljena funkcija.



Gumb obrnite v levo, da ga razrahljate, in v desno, da ga privijete.



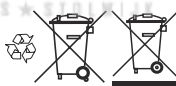
Izdelek nima izolacije. Če se izdelek dotakne ali pride v bližino visokonapetostne napeljave, lahko povzroči smrt ali hude telesne poškodbe. Električni tok lahko v loku preskoči iz ene točke v drugo. Pri višji napetosti tok lahko preskoči v daljšem loku. Električni tok lahko potuje skozi veje in druge predmete, zlasti če so mokri. Vedno zagotovite minimalno razdaljo 10 m med izdelkom in visokonapetostno napeljavo in/ali vsemi predmeti, ki se dotikajo visokonapetostne napeljave. V primeru, ko je potrebno delo znotraj te varne razdalje, se pred začetkom del vedno obrnite na pristojno energetsko podjetje, ki poskrbi za izklop napetosti. Med delom bodi najmanj 15 m oddaljeni od drugih oseb ali živali.

yyyywwxxxx

Na tipski ploščici je navedena serijska številka. **yyyy** je proizvodno leto, **ww** je proizvodni teden.

**Opomba:** Ostali simboli in oznake na izdelku se nanašajo na zahteve za certifikacijo, ki veljajo za nekatere trge.

## Simboli na bateriji in/ali polnilniku baterije



Izdelek je treba reciklirati v zbirnem centru za reciklažo električne in elektronske opreme. (velja samo za Evropo)



Pretvornik za varno odpoved.



Polnilnik baterije hranite in uporabljajte samo v zaprtih prostorih.



Dvojna izolacija.

## Odgovornost proizvajalca

Kot je navedeno v zakonodaji, ki ureja odgovornost proizvajalca, ne prevzemamo nikakršne odgovornosti za poškodbe, ki bi jih naši izdelki povzročili v naslednjih primerih:

- Izdelek ni pravilno popravljen.

- Izdelek je popravljen z deli, ki jih ni izdelal ali odobril proizvajalec.
- Na izdelku je nameščena dodatna oprema, ki je ni izdelal ali odobril proizvajalec.
- Izdelek ni bil popravljen v pooblaščenem servisnem centru ali pri pooblaščenem organu.

## Varnost

### Varnostne definicije

Opozorila, svarila in opombe opozarjajo na posebej pomembne dele priročnika.



**OPOZORILO:** Se uporabi, če obstaja nevarnost telesne poškodbe ali smrti uporabnika ali opazovalcev ob neupoštevanju navodil v tem priročniku.



**POZOR:** Se uporabi, če obstaja nevarnost poškodbe izdelka, drugih materialov ali okolice ob neupoštevanju navodil v tem priročniku.

**Opomba:** Se uporabi za podajanje podrobnejših informacij, potrebnih v dani situaciji.

### Splošna varnostna opozorila za električno orodje



**OPOZORILO:** Preberite vsa varnostna opozorila in navodila. Neupoštevanje opozoril in navodil lahko povzroči električni udar, požar in/ali težko telesno poškodbo.

**Opomba:** Shranite vsa opozorila in navodila za bodočo uporabo. Izraz »električno orodje« v opozorilih se nanaša na orodje z napajanjem prek kabla neposredno iz električnega omrežja ali akumulatorsko električno orodje (brez kabla).

### Varnost delovnega področja

- **Poskrbite za čistočo in dobro osvetlitev delovnega področja.** Prenatrpani ali mračni prostori kar kličejo nesrečo.
- **Električnega orodja ne uporabljajte v eksplozivnem okolju, na primer v bližini vnetljivih tekočin, plinov ali prahu.** Električna orodja sproščajo iskre, ki lahko vžgejo prah ali hlape.
- **Ne dovolite, da bi bili med uporabo električnega orodja prisotni otroci ali opazovalci.** Odvracanje pozornosti lahko povzroči izgubo nadzora.

### Električna varnost

- **Vtiči električnega orodja se morajo ujemati z vtičnico. Vtiča na noben način ne spreminjajte. Z ozemljenim**

**električnim orodjem ne uporabljajte adapterjev za vtičač.** Nepredelani vtiči in ustrezne vtičnice poskrbijo za zmanjšano nevarnost električnega udara.

- **Izogibajte se telesnega stika z ozemljenimi površinami, kot so cevi, radiatorji, štedilniki in hladilniki.** Če je vaše telo ozemljeno, se nevarnost električnega udara poveča.
- **Električnega orodja ne izpostavljajte dežju ali vlagi.** Če v električno orodje prodre voda, se poveča nevarnost električnega udara.
- **Ne ravnajte grobo s kablom. Nikoli ne uporabljajte kabla za prenašanje, vlečenje ali izklapljanje električnega orodja iz vtičnice. Kabel ne sme priti v stik z vročino toplote, oljem, ostrimi robovi ali premikajočimi deli.** Poškodovani ali zavozlani kabli povečujejo nevarnost električnega udara.
- **Če uporabljate električno orodje zunaj, uporabljajte kabelski podaljšek, ki je primeren za zunanjo uporabo.** Za zmanjšanje nevarnosti električnega udara uporabljajte kabel, primeren za zunanjo uporabo.
- **Če se ne morete izogniti upravljanju stroja v vlažnem okolju, uporabite zaščitno napravo na diferencialni tok (RCD).** Uporaba naprave RCD zmanjšuje nevarnost električnega udara.

### Osebnostna varnost

- **Med uporabo električnega orodja bodite pozorni, pazite na svoja dejanja in ravnajte razumno. Ne uporabljajte električnega orodja, ko ste utrujeni ali pod vplivom drog, alkohola ali zdravil.** Trenutek nepozornosti med uporabo obrezovalnika žive meje lahko povzroči težko osebno poškodbo.
- **Uporabljajte osebno zaščitno opremo. Vedno nosite zaščito za oči.** Zaščitna oprema, na primer prašna maska, čevlji z nedrsečimi podplati, čelada ali zaščita za sluh, uporabljena v pravih okoliščinah, zmanjšuje nevarnost osebnih poškodb.
- **Izogibajte se neželenemu zagonu. Preden stroj priklopite na vir napajanja in/ali baterijo, ga vzamete v roke ali ga prenašate, se prepričajte, da je stikalo v položaju za izklop.** Prenašanje električnega orodja s prstom na stikalo ali priklop električnega orodja z vklopljenim stikalom lahko povzroči nesrečo.
- **Preden električno orodje vklopite, odstranite ključ za nastavitev ali izvijač.** Če ostane ključ ali izvijač pritrjen na vrteči se del električnega orodja, lahko pride do telesne poškodbe.
- **Rok ne stegujte predaleč. Vedno zanesljivo stopajte in pazite na ravnotežje.** To vam omogoča boljši

nadzor nad električnim orodjem ob nepričakovanih dogodkih.

- **Primerno se oblecite. Ne nosite ohlapnih oblačil in nakita. Z lasmi in oblačili ne segajte v območje gibljivih delov.** Ohlapne obleke, nakit ali dolgi lasje se lahko zapletejo v gibljive dele.
- **Če so naprave opremljene s priključkom za odvajanje in zbiranje prahu, mora biti ta zaseden in pravilno uporabljen.** Zbiranje prahu lahko zmanjša nevarnost zaradi vdihavanja tega.
- **Ne bodite samozadovoljni, ker ste zaradi pogoste uporabe navajeni orodja, in kljub vsemu upoštevajte varnostna načela orodja.** Brezbrizna uporaba lahko v trenutku povzroči hudo telesno poškodbo.
- Oddajanje vibracij med dejansko uporabo električnega orodja se lahko razlikuje od navedene skupne vrednosti, kar je odvisno od načina uporabe orodja. Upravljalci se morajo zaščititi z varnostnimi ukrepi, ki temeljijo na oceni izpostavljenosti pri dejanskih pogojih uporabe (pri čemer se upoštevajo vsi deli delovnega cikla, npr. poleg časa, ko je orodje sproženo, tudi čas, ko je orodje izklopljeno, in čas, ko deluje v prostem teku).

## Uporaba in nega električnega orodja

- **Ne preobremenite električnega orodja. Uporabite pravilno električno orodje za vrsto uporabe.** Pravilno električno orodje bo delo opravilo bolje in varneje, če deluje pri hitrosti, za katero je bil zasnovano.
- **Električnega orodja ne uporabljajte, če stikalo za vklop/izklop ne deluje.** Orodje, ki ga ni mogoče upravljati s stikalom, je nevarno in ga je treba popraviti.
- **Pred izvajanjem nastavitvev, menjavo priključkov ali shranjevanjem električnega orodja izvilcite vtič iz omrežne vtičnice ali baterijo iz električnega orodja.** Taki preventivni ukrepi pomagajo zmanjšati nevarnost neželenega vklopa električnega orodja.
- **Električno orodje, ki ga ne potrebujete, shranite izven dosega otrok in ne dovolite, da bi ga uporabljale osebe, ki električnega orodja ne poznajo ali ne poznajo teh navodil.** Električna orodja so v rokah nekih oseb nevarna.
- **Vzdržujte električna orodja. Preverite poravnavo ali zatikanje pomičnih delov. Preverite, da noben del ni poškodovan in vsa druga stanja, ki bi lahko vplivala na delovanje električnega orodja. Če je električno orodje poškodovano, ga pred uporabo odnesite v popravilo.** Veliko nesreč povzročijo slabo vzdrževana električna orodja.
- **Rezila naj bodo vedno ostra in čista.** Pravilno vzdrževana rezila z ostrimi rezalnimi robovi se manj zatikajo in jih je lažje kontrolirati.
- **Električna orodja, dodatke, rezalne ploščice ipd. uporabljajte skladno s temi navodili ter upoštevajte delovne pogoje in delo, ki ga boste opravljali.** Uporaba električnega orodja za opravila, za katera ta naprava ni namenjena, je lahko nevarna.
- **Ročaji in prijemalne površine naj bodo suhi, čisti in brez ostankov olja in masti.** Če so ročaji in

prijemalne površine spolzki, ne omogočajo varne uporabe in upravljanja z orodjem v nepričakovanih razmerah.

## Uporaba in nega baterije

- **Baterijo polnite le s polnilnikom, ki ga določi proizvajalec.** Polnilnik, ki je primeren za eno vrsto baterij, lahko poveča nevarnost požara pri drugih baterijah.
- **Električno orodje uporabljajte le s točno določenimi baterijami.** Če uporabite druge baterije, se lahko poveča nevarnost poškodb in požara.
- **Ko baterije ne uporabljate, ne sme priti v stik z drugimi kovinskimi predmeti, kot so sponke za papir, kovanci, ključji, žebliji, vijaki ali drugi majhni kovinski predmeti, ki lahko vzpostavijo povezavo med dvema poloma.** Kratek stik med poloma baterije lahko povzroči opekline ali požar.
- **Ob nepravilni in grobi uporabi lahko iz baterije izteka tekočina; izogibajte se stiku s tekočino. Če se tekočina nehote dotaknete, sperite roke z vodo. Če pride tekočina v stik z očmi, poiščite zdravniško pomoč.** Tekočina, ki izteka iz akumulatorja, lahko povzroči draženje ali opekline.
- **Ne uporabljajte poškodovanega ali spremenjenega baterijskega paketa ali orodja.** Poškodovane ali predelane baterije se lahko obnašajo nepredvidljivo in lahko posledično zagorijo, eksplodirajo ali predstavljajo nevarnost poškodb.
- **Baterijskega paketa ali orodja ne izpostavljajte ognju ali previsokim temperaturam.** Izpostavljenost ognju ali temperaturam nad 130 °C (265 °F) lahko povzroči eksplozijo.
- **Upoštevajte vsa navodila za polnjenje in ne polnite baterijskega paketa ali orodja pri temperaturah zunaj temperaturnega območja, navedenega v navodilih.** Neustrezna zamenjava ali temperature zunaj dovoljnega območja lahko povzročijo poškodbe baterije in povečajo nevarnost požara.

## Servis

- **Popravila električnega orodja sme izvajati usposobljen serviser in pri tem uporabljati originalne nadomestne dele.** S tem zagotovite ohranitev kakovosti in varnosti električnega orodja.
- **Ne servisirajte poškodovanih baterijskih enot.** Baterijske pakete lahko servisirajo samo proizvajalec in pooblaščen servisni ponudniki.

## Varnostna navodila za obrezovalnik žive meje

- **Z deli telesa ne segajte v območje delovanja rezila. Ko se rezila premikajo, ne odstranjujte odrezanega materiala in materiala ne prijemajte.** Rezila se premikajo tudi po izklopu stikala. Trenutek nepozornosti med uporabo obrezovalnika žive meje lahko povzroči težko telesno poškodbo.
- **Obrezovalnik žive meje nosite za ročaj, ko je rezilo zaustavljeno in pazite, da ne vključite nobenega vklopnega stikala.** Pravilna nošnja obrezovalnika

- Žive meje zmanjšuje nevarnosti neželenega vklopa in iz tega izhajajočih telesnih poškodb zaradi rezil.
- **Pri prenašanju ali shranjevanju obrezovalnika žive meje vedno namestite ščitnik rezila.** Pravilno ravnanje z obrezovalnikom žive meje zmanjšuje nevarnost telesnih poškodb zaradi rezil.
  - **Pri odstranjevanju zagozdenega materiala ali pri servisiranju enote preverite, ali so vsa vklopna stikala izključena in ali je napajalni kabel izključen.** Nepričakovana sprožitve obrezovalnika žive meje med odstranjevanjem zataknjenega materiala ali med servisiranjem lahko privede do hudih telesnih poškodb.
  - **Obrezovalnik žive meje držite le za izolirane prijemalne površine, ker lahko rezilo pride v stik s skrito električno napeljavo ali lastnim napajalnim kablom.** Če se rezila dotaknejo kabla pod napetostjo, lahko napetost preide tudi na ostale kovinske dele obrezovalnika žive meje, zaradi česar lahko uporabnik doživi električni udar.
  - **Vsi napajalni kablji in ostali kablji morajo biti odstranjeni iz območja rezanja.** V živi meji ali grmovju se lahko skrivajo napajalni kablji, ki jih ne opazite in jih lahko nenamerno prerežete.
  - **Ne uporabljajte obrezovalnikov živih mej v slabih vremenskih pogojih, še posebej v nevihtnem času.** S tem zmanjšate nevarnost udara strele.
  - **Za zmanjšanje nevarnosti smrti zaradi udara elektrike ne uporabljajte obrezovalnikov živih mej s povečanim dosegom v bližini električnih vodov.** Stik z električnimi vodi ali uporaba v njihovi bližini lahko povzroči težke poškodbe ali električni udar, posledično pa tudi smrt.
  - **Obrezovalnike živih mej s povečanim dosegom vedno uporabljajte dvoročno.** Obrezovalnike živih mej s povečanim dosegom vedno držite z obema rokama in se tako izognite izgubi nadzora.
  - **Pri delu z obrezovalniki živih mej s povečanim dosegom, ki poteka nad višino glave, vedno nosite zaščitno čelado.** Padajoči deli lahko povzročijo težke poškodbe glave.

## Splošna varnostna navodila



**OPOZORILO:** Pred uporabo izdelka preberite navodila v povezavi z opozorili v nadaljevanju.

- Odstranite baterijo in tako preprečite neželeni zagon izdelka.
- Izdelek je nevarno orodje, če niste previdni ali če ga ne uporabljate pravilno. Ta izdelek lahko povzroči hude poškodbe oziroma smrt upravljavca ali drugih.
- Izdelka ne uporabljajte, če so se spremenile njegove originalne specifikacije. Ne spreminjajte delov izdelka brez vnaprejšnje odobritve proizvajalca izdelka. Uporabljajte samo dele, ki jih je odobril proizvajalec. Zaradi neustreznega vzdrževanja lahko pride do poškodb ali smrti.

- Pred uporabo preverite izdelek. Glejte *Varnostne naprave na izdelku na strani 361* in *Vzdrževanje na strani 366*. Ne uporabljajte pokvarjenega izdelka. Izvajajte varnostne preglede in vzdrževalna dela ter upoštevajte servisna navodila, opisana v tem priročniku.
- Otroci se z izdelkom ne smejo igrati. Izdelka in/ali baterij ne smejo uporabljati, vzdrževati ali popravljati otroci ali druge osebe, ki za to niso usposobljene. Starost uporabnika je morda določena z lokalnimi zakoni.
- Izdelek skladiščite v zaklenjenem prostoru, tako da otroci ali osebe, ki niso primerne za rokovanje z izdelkom, do izdelka ne morajo dostopati.
- Izdelek shranjujte izven dosega otrok.
- Nikoli ne smete spreminjati prvotne izvedbe izdelka brez predhodnega dovoljenja proizvajalca. Uporabljajte samo originalno dodatno opremo. Spremembe brez pooblastila in/ali neoriginalni deli lahko povzročijo resne poškodbe ali smrt uporabnika in drugih oseb.

**Opomba:** Uporabo lahko ureja državna ali lokalna zakonodaja. Upoštevajte veljavne predpise.

## Varnostna navodila za uporabo



**OPOZORILO:** Pred uporabo izdelka preberite navodila v povezavi z opozorili v nadaljevanju.

- V primeru dvoma, ali je nadaljnja uporaba še primerna, se posvetujte s strokovnjakom. Obrnite se na svojega zastopnika ali servisno delavnico. Izogibajte se situacijam, ki se vam zdijo prezahtevne.
- Izdelka ne uporabljajte, če ste utrujeni, pod vplivom alkohola ali drog ali zdravil oziroma v drugih okoliščinah, ki vplivajo na vaš vid, pozornost, koordinacijo ali presojo.
- Delo v slabem vremenu izčrpava in pogosto prispeva k dodatnim tveganjem. Zaradi povečanega tveganja uporaba stroja v zelo slabem vremenu ni priporočljiva, na primer v gosti megli, nalivih, močnem vetru, hudem mrazu ali ob nevarnosti udara strele itd.
- Poškodovan rezalni priključek lahko pomeni večjo nevarnost nesreč pri delu.
- Otrokom nikoli ne dovolite, da uporabljajo izdelek ali da so v njegovi bližini. Ker je zagon izdelka zelo enostaven, ga lahko zaženejo tudi otroci, če jih ne nadzorujete. To lahko pomeni tveganje resne osebne poškodbe. Zaradi tega odklopite baterijo, ko izdelka ne morete ustrezno nadzorovati.
- V premeru 15 metrov od delovnega mesta ne sme biti ljudi ali živali. Če sočasno v območju dela več uporabnikov, mora biti varnostna razdalja med njimi vsaj 15 metrov. To lahko pomeni nevarnost resne telesne poškodbe. V primeru približevanja oseb

nemudoma izklopite izdelek. Z izdelkom nikoli ne zamahnite, ne da bi pred tem preverili prostor za sabo in se tako prepričali, da v varnostnem območju ni nikogar.

- Zagotovite, da osebe, živali ali drugi predmeti ne morejo vplivati na nadzor nad izdelkom in ne morejo priti v stik z rezalnim priključkom ali predmeti, ki jih rezalni priključek meče naokrog. Vendar izdelka ne uporabljajte, če v primeru nesreče ne morete priklicati pomoči.
- Obvezno preglejte delovno območje. Odstranite vse trde dele, na primer kamenje, razbito steklo, žeblje, jeklene žice, vrvi, ki jih rezilo izvrže, ali pa se lahko navijejo okrog rezalnega priključka.
- Prepričajte se, da se lahko varno gibljete in stojite. Če se morate nepričakovano premakniti, preverite okolico za morebitne ovire (korenine, kamenje, veje, jarke, itd.). Pri delu na nagnjenih tleh bodite še posebej previdni.
- Ohranjajte stabilen položaj in čvrst korak. Rok ne stegujte predaleč.
- Izdelek izklopite, preden se premaknete na drugo območje. Transportno zaščito namestite, kadar izdelek ni v uporabi.
- Izdelka nikoli ne odložite, če ga niste izklopili. Kadar je izdelek vklopljen, mora biti vedno pod vašim nadzorom.
- Preden izdelek predate drugi osebi, vedno odstranite baterijo.
- Kadar je izdelek vklopljen, oblačila ali deli telesa ne smejo priti v stik z rezalnim priključkom.
- Če se med uporabo izdelka karkoli zatakne v rezalni priključek, prenehajte delo in izdelek izklopite. Rezalni priključek se mora popolnoma zaustaviti. Pred čiščenjem, pregledom ali popravilom izdelka in/ali rezalne opreme odstranite baterijo.
- Z rokami in nogami ne segajte v območje rezalnega priključka, dokler se popolnoma ne zaustavi in je izdelek izklopljen.
- Pazite na kose in veje, ki jih izdelek lahko izvrže med rezanjem. Ne režite preblizu tlam, od koder bi se lahko izvrgli kamni in drugi predmeti.
- Pozor pred izmetom predmetov. Uporabljajte vedno odobrena zaščitna očala. Nikoli se ne nagibajte čez ščitnik rezalnega priključka. Kamenje, odpadki ipd. se lahko odbijejo v oči, to pa lahko povzroči slepoto ali resne poškodbe.
- Bodite vedno pozorni na svarilne znake in klice, ko nosite zaščito za sluh. Zaščito za sluh odstranite takoj, ko se izdelek izklopi.
- Orodja ne uporabljajte z lestve, stola ali drugega dvignjenega položaja, ki ni povsem varen.
- Naprava med delovanjem ustvarja elektromagnetno polje. To polje lahko v nekaterih pogojih moti delovanje aktivnih ali pasivnih medicinskih vsadkov. Uporabnikom medicinskih vsadkov svetujemo, da se pred uporabo tega stroja posvetujejo z zdravnikom ali proizvajalcem medicinskega vsadka in tako zmanjšajo nevarnost resnih ali smrtnih poškodb.

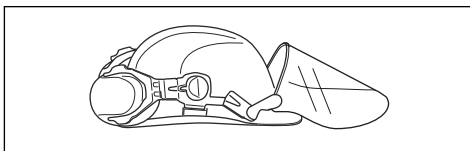
- Izdelek vedno primite z obema rokama. Izdelek držite ob svojem desnem boku.
- Vedno zaustavite izdelek, odstranite baterijo in se prepričajte, da se rezalna oprema ne vrti, preden odstranite material, ki je navit okrog gredi noža ali ujet med ščitnikom in rezalnim priključkom.
- Elektromagnetno polje, ki se ustvarja med delovanjem, lahko moti delovanje aktivnih in pasivnih medicinskih vsadkov. Osebe z medicinskimi vsadki naj se pred začetkom uporabe tega izdelka posvetujejo s svojim zdravnikom in proizvajalcem medicinskega vsadka.
- Za lažje upravljanje teže izdelka nosite z oprtnikom.
- Dolgotrajna izpostavljenost hrupu lahko povzroči trajne okvare sluha. Husqvarna uporabnikom priporoča nošenje odobrene zaščite za sluh.
- Nikoli ne uporabljajte izdelka, katerega prvotne specifikacije so bile na kakršen koli način spremenjene.
- Ne uporabljajte pokvarjenega izdelka. Upoštevajte varnostna navodila ter navodila za vzdrževanje in servis, navedena v tem priročniku. Nekatere vrste vzdrževalnih del in popravil lahko opravi samo za to usposobljeno strokovno osebje. Glejte navodila v poglavju Vzdrževanje.
- Pred uporabo v celoti preglejte izdelek. Oglejte si urnik vzdrževanja.
- Preden stroj uporablja druga oseba, se prepričajte, da je prebrala in razumela vsebino navodil za uporabo.
- Prepričajte se, da v delovnem okolju ni tujkov, na primer električnih kablov, živali ali drugih predmetov (na primer kovinskih), ki bi lahko poškodovali rezalni priključek.
- Pokvarjena rezila lahko povečajo nevarnost nesreč.

## Osebna zaščitna oprema



**OPOZORILO:** Pred uporabo izdelka preberite navodila v povezavi z opozorili v nadaljevanju.

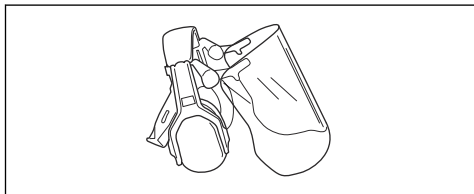
- Pri uporabi izdelka vedno uporabljajte odobreno osebno zaščitno opremo. Osebna zaščitna oprema ne more popolnoma preprečiti poškodb, vendar v primeru nesreče omili posledice. Prodajalec naj vam pomaga izbrati ustrezno opremo.
- Uporabljajte zaščitno čelado, če obstaja nevarnost padajočih predmetov.



- Dolgotrajna izpostavljenost hrupu lahko povzroči okvare sluha. Baterijski izdelki so na splošno razmeroma tihi, okvaro lahko povzroči kombinacija

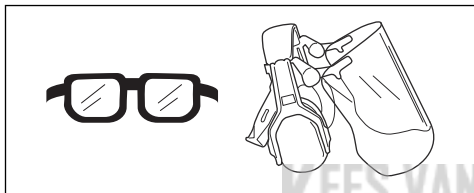


ravni hrupa in dolgotrajne rabe. Husqvarna priporoča uporabo zaščite za sluh pri daljši stalni uporabi izdelkov. Pogosti in redni uporabniki bi morali imeti redne preglede sluha.

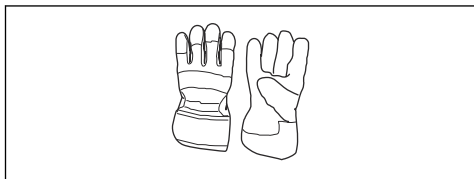


**OPOZORILO:** Zaščite za sluh omejujejo slišnost zvokov in opozorilnih signalov.

- Uporabljajte odobreno zaščito oči. Tudi če uporabljate vizir, morate vedno uporabljati tudi homologirana zaščitna očala. Homologirana zaščitna očala morajo biti skladna s standardom ANSI Z87.1 za ZDA ali s standardom EN 166 za države EU.



- Po potrebi uporabite rokavice, npr. kadar pritrjujete, pregledujete ali čistite rezalno opremo.



- Uporabljajte oblačila iz trpežnih materialov. Vedno uporabljajte trpežne dolge hlače in dolge rokave. Ne uporabljajte ohlapnih oblačil, ki se lahko zataknejo za vejice ali veje. Ne nosite nakita, kratkih hlač in sandalov in ne hodite bos. Lase si varno spnite nad rameni.
- Paket prve pomoči hranite na dosegu roke.



## Varnostne naprave na izdelku



**OPOZORILO:** Pred uporabo izdelka preberite navodila v povezavi z opozorili v nadaljevanju.

V tem poglavju so opisane varnostne funkcije izdelka, njihov namen ter kako je stroj treba pregledovati in vzdrževati, da bo deloval pravilno. Za mesta delov na izdelku si oglejte navodila v poglavju *Pregled izdelka na strani 355*

Življenjska doba izdelka se lahko zaradi nepravilnega vzdrževanja oziroma zaradi nestrokovnih popravil ali servisiranja skrajša, poveča pa se tudi nevarnost nesreč. Če potrebujete več informacij, se obrnite na najbližjega pooblaščenega servisnega trgovca.



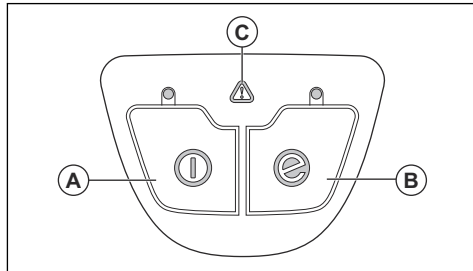
**OPOZORILO:** Nikoli ne uporabljajte izdelka s poškodovanimi varnostnimi deli. Varnostno opremo stroja je treba pregledovati in vzdrževati v skladu z navodili, ki so podana v tem poglavju. Če izdelek ob pregledu ne izpolnjuje vseh opisanih pogojev, se nemudoma obrnite na pooblaščenega serviserja za popravilo.



**POZOR:** Vsa servisna dela in popravila na stroju zahtevajo posebno usposabljanje. To še posebej velja za varnostno opremo stroja. Če pri spodaj opisanem pregledu ugotovite, da kateri koli del stroja ne deluje tako, kot je opisano spodaj, se nemudoma obrnite na pooblaščen servisno delavnico. Pri nakupu vseh naših izdelkov vam jamčimo dostop do strokovnih popravil in servisa. Če stroja niste kupili v kateri od naših pooblaščenih servisnih prodajaln, vprašajte prodajalca, kje je najbližja pooblaščen servisna delavnica.

## Preverjanje tipkovnice

1. Pritisnite in pridržite gumb za vklop/izklop (A).

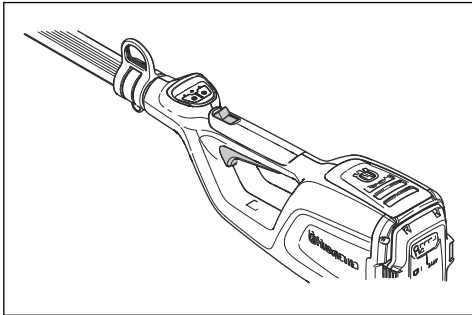


- a) Izdelek je vklopljen, ko lučka LED sveti.
- b) Izdelek je izklopljen, ko lučka LED ne sveti.

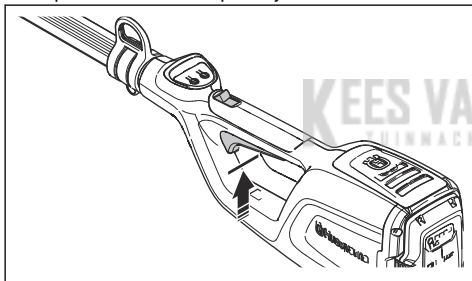
2. Glejte *Uporaba funkcije SavE na strani 366* za uporabo gumba SavE (B).
3. Če sveti ali utripa opozorilni indikator (C), glejte *Odpravljanje težav na strani 368*.

### Preverjanje delovanja zaklepa ročice plina

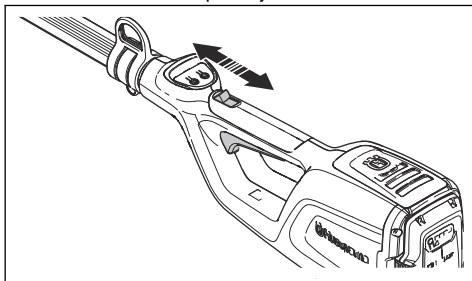
Blokada sprožilca plina preprečuje neželjeno sprožitev. Če ročaj sprostite, se sprožilec plina in zaklep sprožilca plina vrmeta v izhodiščni položaj.



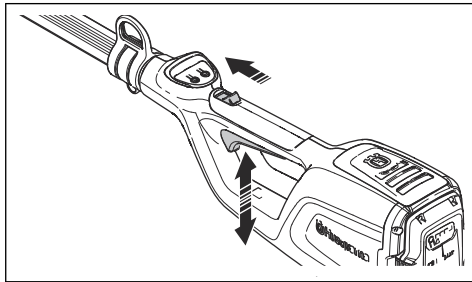
1. Preverite, ali je sprožilec plina zaklenjen, ko je zapora v izhodiščnem položaju.



2. Povlecite in sprostite ročico zaklepa in se prepričajte, da se vrne v začetni položaj.



3. Prepričajte se, da se sprožilec plina in zapora prosto premikata in da povratna vzmet pravilno deluje.



4. Vključite izdelek; glejte *Zagon izdelka na strani 365*.
5. Aktivirajte polno hitrost.
6. Sprostite sprožilec plina in se prepričajte, da se rezalna dodatna oprema popolnoma ustavi.

### Varna uporaba akumulatorja



**OPOZORILO:** Pred uporabo izdelka preberite navodila v povezavi z opozorili v nadaljevanju.

- Priporočena baterija je BLi10. Glejte *Tehnični podatki na strani 369*. Baterija je šifrirana s programsko opremo.
- Baterijo BLi10, ki jo je mogoče polniti, uporabljajte kot vir napajanja samo za ustrezne izdelke Husqvarna. Za preprečevanje poškodb baterije ne uporabljajte za napajanje drugih naprav.
- Nevarnost električnega udara. Poli baterije ne smejo priti v stik s ključi, kovanci, vijaki ali drugimi kovinskimi deli. Lahko bi prišlo do kratkega stika akumulatorja.
- Ne uporabljajte baterij za enkratno uporabo.
- V zračne reže baterije ne vstavljajte predmetov.
- Baterije ne izpostavljajte neposredni sončni svetlobi, vročini ali odprtemu ognju. Baterija lahko povzroči opekline in/ali kemične opekline.
- Baterije ne izpostavljate dežju in vlagi.
- Baterije ne izpostavljajte mikrovalovom in visokemu tlaku.
- Baterije ne poskušajte razstaviti ali odpreti.
- Če baterija pušča, pazite, da tekočina ne pride v stik s telesom ali očmi. Če ste se tekočine dotaknili, območje očistite z obilo vode in mila in poiščite zdravniško pomoč. Če pride tekočina v oči, ne drgnite oči, temveč jih spirajte z vodo vsaj 15 minut in poiščite zdravniško pomoč.
- Baterijo uporabljajte v okolju s temperaturami med  $-10\text{ }^{\circ}\text{C}$  ( $14\text{ }^{\circ}\text{F}$ ) in  $40\text{ }^{\circ}\text{C}$  ( $114\text{ }^{\circ}\text{F}$ ).
- Baterije ali polnilnika nikoli ne čistite z vodo. Glejte *Čiščenje izdelka, baterije in polnilnika baterije na strani 367*.
- Ne uporabljajte poškodovanih ali pokvarjenih baterije.

- Baterije med skladiščenjem ne smejo priti v stik s kovinskimi predmeti, na primer žebli, vijaki ali nakitom.
- Baterijo hranite zunaj dosega otrok.

## Varna uporaba polnilnika baterije



**OPOZORILO:** Pred uporabo izdelka preberite navodila v povezavi z opozorili v nadaljevanju.

- Nevarnost električnega udara ali kratkega stika, če ne upoštevate varnostnih navodil.
- Ne uporabljajte polnilnikov, ki niso bili priloženi izdelku. Priporočen polnilnik je QC80, ko polnite baterijo BLi10.
- Polnilnika baterije ne poskušajte razstaviti.
- Ne uporabljajte poškodovanega ali pokvarjenega polnilnika baterije.
- Baterijskega polnilnika ne dvigujte za napajalni kabel. Polnilnik baterije odklopite iz stenske vtičnice tako, da povlečete vtič. Nikoli ne vlecite za napajalni kabel.
- Pazite, da kabli in kabelski podaljški ne pridejo v stik z vodo, oljem in ostrimi robovi. Kabel ne sme biti zataknen med stavbno pohištvo, na primer vrata ali za ograje, ali podobne predmete.
- Baterijskega polnilnika ne uporabljajte v bližini gorljivih materialov ali materialov, ki povzročajo korozijo. Pazite, da polnilnik baterije ni pokrit. V primeru dima ali požara izvalcite vtič polnilnika baterije.
- Baterijo polnite le v zaprtih prostorih z dobrim prezračevanjem in zaščito pred neposrednim soncem. Baterije ne polnite na prostem. Baterijske enote ne polnite v stiku z vodo ali vlago.
- Polnilnik baterije uporabljajte samo v okolju s temperaturami med 5 °C (41 °F) in 40 °C (104 °F). Polnilnik uporabljajte v dobro prezračenem, suhem in brezprašnem okolju.

- V hladilne reže polnilnika baterije ne vstavljajte predmetov.
- Polni polnilnika baterije se ne smejo dotikati kovinskih predmetov, ker lahko to povzroči kratki stik.
- Uporabljajte nepoškodovane in odobrene omrežne vtičnice. Prepričajte se, da kabel polnilnika baterije ni poškodovan. V primeru uporabe podaljškov se prepričajte, da ti niso poškodovani.

## Varnostna navodila za vzdrževanje



**OPOZORILO:** Pred vzdrževanjem izdelka preberite naslednja opozorilna navodila.

- Pred vzdrževanjem, drugimi pregledi ali sestavljanjem izdelka odstranite baterijo.
- Uporabnik sme sam izvajati le tista vzdrževalna in servisna dela, ki so navedena v teh navodilih za uporabo. Za obsežnejša vzdrževalna in servisna dela se obrnite na servisnega zastopnika.
- Baterije ali polnilnika nikoli ne čistite z vodo. Močno čistilo lahko poškoduje plastiko.
- Če ne vzdržujete izdelka, skrajšate njegovo življenjsko dobo in povečate nevarnost nesreč.
- Za servisiranje in popravila izdelka, zlasti za varnostne naprave na izdelku, je potrebno posebno usposabljanje. Če po izvedenem vzdrževanju niso vsa preverjanja uspešno opravljena, se obrnite na servisnega zastopnika. Zagotavljamo vam, da so za vaš izdelek na voljo strokovna popravila in servisne storitve.
- Zobe rezila pravilno nabrusite. Upoštevajte naša priporočila. Oglejte si tudi navodila na embalaži rezila.
- Uporabljajte samo originalne nadomestne dele.
- Pri popravilu rezalnega priključka morate vedno nositi močne zaščitne rokavice. Rezila so zelo ostrá in se lahko hitro poškodujete.

## Montaža

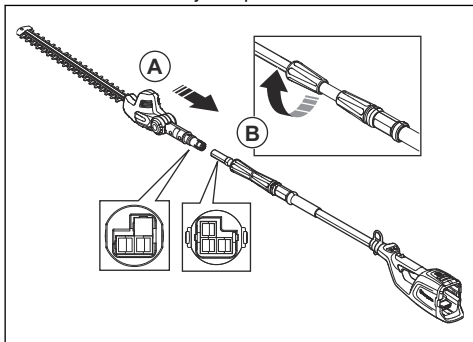
### Uvod



**OPOZORILO:** Preden začnete sestavljati izdelek, morate prebrati in razumeti poglavje o varnosti.

## Namestitev gredi

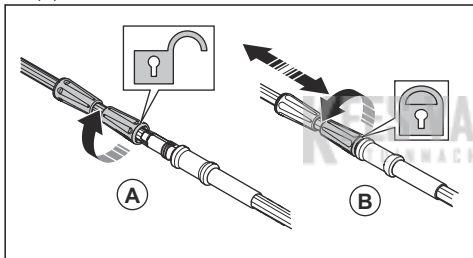
1. Električni vtiči morajo biti poravnani.



2. Konca popolnoma potisnite na gred (A).
3. Zategnite krilni vijak na glavi obrezovalnika žive meje ob strani gredi (B).

## Namestitev dolžine gredi

1. Sprostite krilni vijak na strani okrova baterije gredi (A).

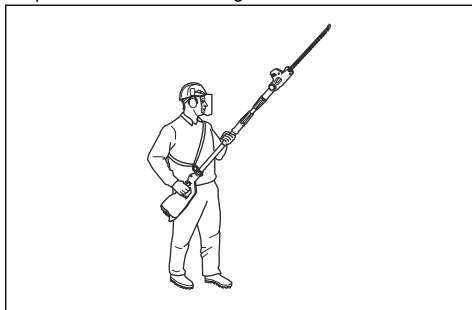


2. Gred si prilagodite na primerno dolžino.
3. Zategnite krilni vijak(B).

## Nastavitev oprtnika

Pri uporabi izdelka obvezno uporabljajte oprtnik. Med uporabo izdelka nudi oprtnik najvišjo stopnjo nadzora nad izdelkom. Oprtnik zmanjšuje nevarnost pojava utrujenosti rok in hrbta.

1. Namestite oprtnik.
2. Izdelek pripnite na nosilni kavelj za oprtnik.
3. Dolžino oprtnika prilagajajte, dokler ni nosilni kavelj približno na višini desnega kolka.



## Delovanje

### Uvod



**OPOZORILO:** Preden začnete uporabljati izdelek, morate prebrati in razumeti poglavje o varnosti.

### Pred delom z izdelkom

1. Preglejte delovno območje. Odstranite predmete, ki jih lahko izvrže.
2. Preglejte rezalni priključek. Prepričajte se, da so rezila ostra, nimajo razpok in niso poškodovana.
3. Poskrbite, da izdelek deluje pravilno. Preverite, ali so vsi vijaki in matice zategnjeni.
4. Prepričajte se, da ročice in varnostne naprave niso poškodovane ter so pravilno pritrjene. Izdelka ne uporabljajte, če mu manjkajo deli ali so se spremenile njegove originalne specifikacije. Po potrebi uporabite zaščitne rokavice.

5. Pred delom z izdelkom se prepričajte, da pokrovi niso poškodovani in so pravilno nameščeni.

### Priklop polnilnika baterije

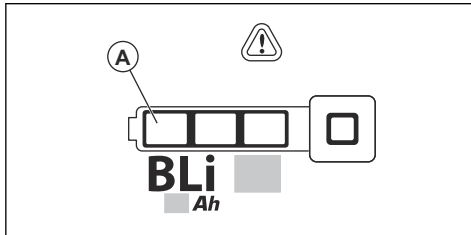
1. Polnilnik baterije priklopite na napetost in frekvenco, ki sta navedeni na tipski ploščici.
2. Vtaknite vtič v ozemljeno vtičnico. Indikator LED na polnilniku baterije enkrat utripne zeleno.

**Opomba:** Če temperatura baterije presega 50 °C/ 122 °F, se baterija ne polni. Če je temperatura višja od 50 °C/122 °F, polnilnik baterije ohladi baterijo.

### Priključitev baterije na polnilnik

**Opomba:** Baterijo pred prvo uporabo napolnite. Nova baterija je napolnjena samo 30-odstotno.

1. Prepričajte se, da je baterija suha.
2. Baterijo priključite na baterijski polnilnik.
3. Na polnilniku baterije mora zasvetiti zeleni indikator polnjenja. To pomeni, da je baterija pravilno povezana s polnilnikom baterije.
4. Ko vsi indikatorji LED (A) na bateriji svetijo, je baterija popolnoma napolnjena.



5. Odklopite polnilnik baterije iz stenske vtičnice tako, da izvlečete vtič. Nikoli ne vlecite za napajalni kabel.
6. Odstranite baterijo iz polnilnika.

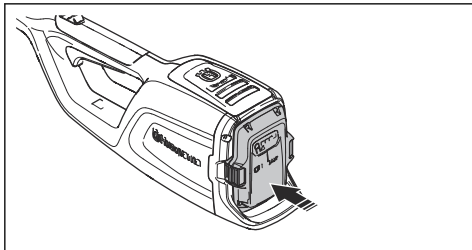
**Opomba:** Če želite več informacij, glejte priročnika za baterijo in polnilnik baterije.

## Vstavev baterije v izdelek



**OPOZORILO:** V izdelku uporabljajte samo originalne baterije Husqvarna.

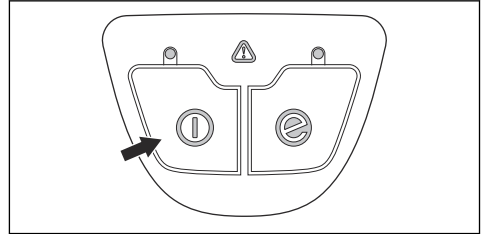
1. Baterija mora biti popolnoma napolnjena.
2. Vstavite baterijo v držalo baterije v izdelku. Baterija mora popolnoma nemoteno zdrsniti v nosilec, saj jo v nasprotnem primeru vstavljate napačno.



3. Pritisnite na spodnji del baterije in jo popolnoma potisnite v nosilec. Baterija se zaskoči, ko slišite klik.
4. Zapahi se morajo pravilno zaskočiti.

## Zagon izdelka

1. Pritisnite in pridržite gumb za vklop/izklop, dokler ne zasveti zelena lučka LED.



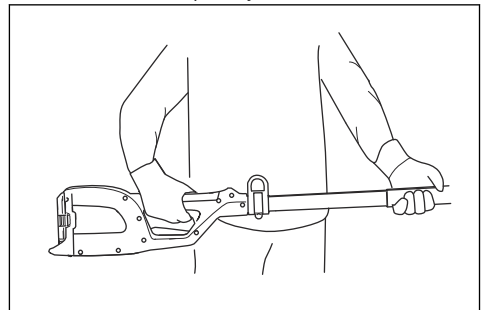
2. Zaklep sprožilca plina povlecite nazaj in ga pridržite.

## Upravljanje izdelka

- Ko obrezujete strani žive meje, začnite pri tleh in izdelek premikajte navzgor.



- Za stabilni delovni položaj izdelek držite ob telesu.

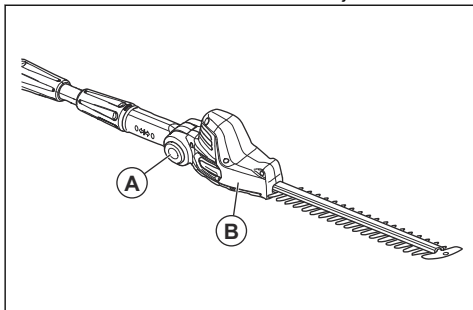


- Pazite, da se s konico rezalne opreme ne dotaknete tal.
- Bodite previdni in obrezujte počasi, dokler niso vse veje pravilno obrezane.

## Prilagajanje kota rezilnega priključka

Rezalni priključek lahko nastavite v 7 različnih položajev.

1. Zaustavite izdelek in odstranite baterijo.

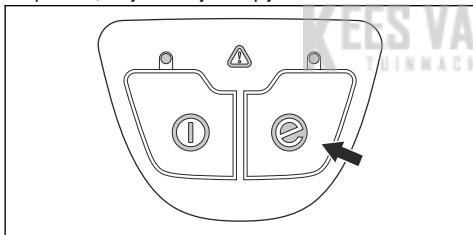


2. Ohišje (B) trdno držite.
3. Pritisnite in držite zaklepna gumba (A) na obeh straneh ohišja (B).
4. Rezalni priključek premaknite v pravilen kot.
5. Sprostite zaklepna gumba (A) na obeh straneh.
6. Premaknite ohišje (B) navzgor in navzdol, dokler se rezalni priključek ne zaskoči v položaj.

### Uporaba funkcije SavE

Izdelek ima funkcijo SavE. S funkcijo SavE boste lahko izkoristili najdaljši čas delovanja baterije.

1. Pritisnite gumb SavE. Prižgan zelen indikator LED pomeni, da je funkcija vklopljena.



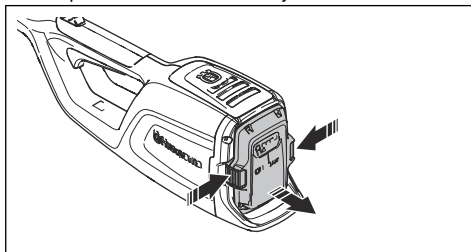
2. Znova pritisnite gumb SavE, če želite funkcijo izklopiti.

### Funkcija samodejnega izklopa

Izdelek ima funkcijo samodejnega izklopa, ki ga zaustavi, če se ta ne uporablja. Zelena lučka LED, ki prikazuje stanje vklopa/izklopa, preneha svetiti in izdelek se po 60 sekundah izklopi.

### Izklop izdelka

1. Sprostite vklopni sprožilnik.
2. Pridržite gumb za vklop/izklopa, dokler zeleni indikator LED ne ugasne.
3. Odstranite baterijo iz izdelka. Pritisnite dva gumba za sprostitve in izvlecite baterijo.



## Vzdrževanje

### Uvod



**OPOZORILO:** Pred izvajanjem vzdrževalnih del na izdelku morate prebrati in razumeti poglavje o varnosti.



**OPOZORILO:** Pred vzdrževanjem izdelka odstranite baterijo.

### Urnik vzdrževanja

V nadaljevanju je naveden seznam vzdrževalnih korakov, ki jih je treba opraviti pri izdelku.

Vzdrževanje	Pred uporabo	Teden-sko	Mesečno
Očistite zunanje dele izdelka.	X		

Vzdrževanje	Pred uporabo	Teden-sko	Mesečno
Preverite pravilno delovanje in brezhibnost gumba za vklop/izklop.	X		
Z varnostnega vidika se prepričajte, da sprožilec plina in zaklep sprožilca plina delujeta pravilno.	X		
Preverite, da upravljalni elementi delujejo in niso poškodovani.	X		
Prepričajte se, da rezilo in ščitnik rezila nimata razpok in da nista poškodovana. Če imata rezilo in ščitnik rezila razpoke ali sta bila izpostavljena udarcem, ju zamenjajte.	X		
Če je rezilo upognjeno ali poškodovano, ga zamenjajte.	X		
Prepričajte se, da so vijaki in matice dobro priviti.	X		
Prepričajte se, da baterija ni poškodovana.	X		
Prepričajte se, da je baterija napolnjena.	X		
Prepričajte se, da polnilnik baterije ni poškodovan.	X		
Prepričajte se, da sta vijaka, ki držita rezili skupaj, pravilno pritrjena.		X	
Preverite priključke med baterijo in izdelkom. Preverite priključek med baterijo in polnilnikom baterije.			X

## Pregled baterije in polnilnika baterije

1. Preverite, ali je baterija poškodovana, na primer razpokana.
2. Preverite, ali je polnilnik baterije poškodovan, na primer razpokan.
3. Prepričajte se, da povezovalni kabel polnilnika baterije ni poškodovan in nima razpok.

## Čiščenje izdelka, baterije in polnilnika baterije

1. Izdelek po uporabi očistite s suho krpo.
2. Baterijo in polnilnik baterije očistite s suho krpo. Vodila baterije morajo biti vedno čista.
3. Poli na bateriji in polnilniku baterije morajo biti čisti, ko vstavite baterijo v polnilnik ali izdelek.

## Pregledovanje rezila

1. Očistite neželene materiale z rezila s protikorozivnim čistilnim sredstvom pred in po uporabi izdelka.
2. Preglejte, ali so robovi rezila poškodovani in deformirani.
3. S pilo odstranite ostanke z rezila.

4. Prepričajte se, da se lahko rezilo neovirano premika.

## Čiščenje in mazanje rezila

1. Odstranite neželene materiale z rezila pred in po uporabi izdelka.
2. Pred daljšim skladiščenjem rezila namažite.

**Opomba:** Če potrebujete več informacij o priporočenih čistil in mazivih, se obrnite na servisnega zastopnika.

## Mazanje menjalnika

Če je menjalnik razstavil pooblaščen serviser, na ohišje menjalnika nanesite mast.

- Uporabite posebno mast Husqvarna. Če potrebujete več informacij o priporočeni masti, se obrnite na servisnega zastopnika.
- Uporabite samo manjšo količino posebne visokokakovostne masti.



**POZOR:** Ohišja menjalnika ne napolnite do konca.

## Odpravljanje težav

### Tipkovnica

Zaslon LED	Možne napake	Možne rešitve
Indikator LED za napako utripa.	Preobremenitev	Rezalni priključek se ne more prosto premikati. Sprostite ga.
Izdelka ni mogoče zagnati.	Umazanija je v priključkih baterije.	Priključke baterije očistite s komprimiranim zrakom ali mehko krtačko.
Indikator LED za napako sveti rdeče.	Izdelek je treba servisirati.	Obrnite se na servisnega zastopnika.

### Baterija

Indikatorji LED	Možne napake	Možen ukrep
Zeleni indikator LED utripa	Nizka napetost baterije.	Napolnite baterijo.
Indikator LED za napako utripa.	Odstopanje temperature.	Baterijo uporabljajte v okolju s temperaturami med -10°C (14°F) in 40°C (104°F).
	Previsoka napetost.	Omrežna napetost mora biti skladna z vrednostjo na tipski ploščici na izdelku. Odstranite baterijo iz polnilnika.
Indikator LED za napako sveti.	Prevelika razlika med celicami (1 V).	Obrnite se na servisnega zastopnika.

### Polnilnik baterije

Težava	Možne napake	Možna rešitev
Utripajoč rdeči indikator LED za napako.	Odstopanje temperature.	Polnilnik baterije uporabljajte v okolju s temperaturami med 5 °C (41 °F) in 40 °C (104 °F).
Vklopi se rdeči indikator LED za napako.	Prevelika razlika med celicami (1 V).	Obrnite se na servisnega zastopnika.

## Transport skladiščenje in odstranitev

### Prevoz in skladiščenje

- Priložene litij-ionske baterije so skladne z zahtevami zakonodaje o nevarnem blagu.
- Pri transportu, tudi če ga izvaja tretja oseba ali posrednik, je treba upoštevati posebna navodila na embalaži in nalepkah.
- Pred pošiljanjem izdelka se posvetujte z osebo, ki je posebej usposobljena za nevarne snovi. Upoštevajte vse veljavne nacionalne predpise.
- Ob vstavljanju baterije v paket prelepите izpostavljene kontakte. Baterijo vstavite v paket tako, da se ne more premikati.
- Pri skladiščenju ali prevozu vedno odstranite baterijo.



- Baterijo in polnilnik baterije hranite v suhem prostoru, kjer ni vlage in zmrzali.
- Baterijske ne shranjujte v prostoru, v katerem je lahko prisotna statična elektrika. Baterije ne shranjujte v kovinski škatli.
- Baterijo shranite v prostor s temperaturami med 5 in 25 °C (41–77 °F), v katerem ne sme biti izpostavljena neposredni sončni svetlobi.
- Polnilnik baterije shranite v prostor s temperaturami med 5 in 45 °C (41–113 °F) tako, da ne bo izpostavljen neposredni sončni svetlobi.
- Polnilnik baterije uporabljajte samo v okolju s temperaturami od 5 do 40 °C (41–104 °F).
- Pred dolgotrajnejšim skladiščenjem mora biti baterija napolnjena med 30 % in 50 %.
- Polnilnik baterije shranite v zaprt in suh prostor.
- Med shranjevanjem baterija ne sme biti v bližini polnilnika. Otroci in druge nepooblaščen osebe se ne smejo dotikati opreme. Oprema mora biti shranjena v prostoru, ki ga je mogoče zakleniti.
- Pred dolgotrajnejšim skladiščenjem izdelek očistite in opravite popoln servis.
- Pred prevozom in skladiščenjem na izdelek namestite transportno zaščito, da preprečite telesne poškodbe ali škodo na izdelku.
- Med prevozom varno pritrdite izdelek.

## Odstranitev baterije, polnilnika baterije in izdelka

Simboli na izdelku ali njegovi embalaži opozarjajo, da izdelka ne smete obravnavati kot gospodinjstvega odpadka. Treba ga je reciklirati v zbirnem centru za reciklažo električne in elektronske opreme. Tako se pomaga preprečiti škodovanje okolju in ogrožanje zdravja ljudi.

Za več informacij o recikliranju svojega izdelka se obrnite na lokalne oblasti, službo za gospodinjstve odpadke ali prodajalca.

## Tehnični podatki

### Tehnični podatki

	<b>120iTK4-H</b>
<b>Motor</b>	
Tip motorja	PMDC 36V
<b>Teža</b>	
Teža brez baterije v kg	4,6
Teža z baterijo (privzeta baterija BLi10) v kg	5,3
<b>Emisije hrupa<sup>61</sup></b>	
Raven zvočne moči, izmerjena v dB (A)	91,32
Raven zvočne moči, zajamčena L <sub>WA</sub> dB(A)	94
<b>Nivoji hrupa<sup>62</sup></b>	
Raven zvočnega tlaka pri uporabnikovo uho, izmerjena v skladu s standardoma EN 62841-1 in EN 62841-4-2, dB(A)	81,3
<b>Ravni vibracij<sup>63</sup></b>	

<sup>61</sup> Emisije hrupa v okolje, merjene kot moč zvoka (L<sub>WA</sub>), v skladu z direktivo ES 2000/14/ES. Razlika med zajamčeno in izmerjeno ravno zvočne moči je v tem, da zajamčena raven zvočne moči, v skladu z direktivo 2000/14/ES, vključuje tudi razpršitev izmerjenih vrednosti in razlike med različnimi izdelki istega modela.

<sup>62</sup> Tipična statistična razpršitev za ekvivalentno raven zvočnega tlaka je standardni odklon 3 dB (A).

<sup>63</sup> Zabeleženi podatki za raven vibracij imajo tipično statistično razpršitev (standardni odklon) v višini 1,5 m/s<sup>2</sup>.

Navedena skupna vrednost vibracij je bila izmerjena v skladu s standardnim načinom preizkušanja in jo lahko uporabljate za medsebojno primerjavo orodij.

Navedeno skupno vrednost vibracij lahko uporabljate tudi pri predhodni oceni izpostavljenosti.

	<b>120ITK4-H</b>
Raven vibracij ( $a_h$ ), na sprednjem/zadnjem ročaju, $m/s^2$ Glejte EN 62841-1 in EN 62841-4-2.	1,223/0,816
<b>Rezalna oprema</b>	
Vrsta	Dvostranski
Dolžina rezila v mm	500
Hitrost rezila v rezih/minuto v načinu SavE	2250
Hitrost rezila v rezih/minuto brez načina SavE	2800

### Odobreni polnilniki baterije

<b>Baterijski polnilnik</b>	<b>QC80</b>
Vhodna napetost, V	100–240
Frekvenca, Hz	50-60
Moč, W	100
Izhodna napetost, V DC/A	36/2

### Odobrene baterije za izdelek

**KEES VAN DER SPEK**  
LIJMBANDEN EN TOEGEBEHOREN

<b>Akumulator</b>	<b>BLi10</b>
Vrsta	Litij-ionska
Zmogljivost baterije, Ah	Oglejte si nalepko s podatki o zmogljivosti akumulatorja
Nazivna napetost, V	36
Teža v kg	0,7

---

# Izjava ES o skladnosti

---

## Izjava ES o skladnosti

**Husqvarna AB**, SE-561 82 Huskvarna, Švedska, tel: +46-36-146500, izjavlja, da so višinski obrezovalniki žive meje **Husqvarna 120ITK4-H** s serijskimi številkami od leta 2021 dalje (leto izdelave, ki mu sledi serijska številka, je jasno navedeno na tipski plošči), skladni z zahtevami DIREKTIVE SVETA:

- **2006/42/ES** z dne 17. maja 2006, »ki se nanaša na stroje«.
- **2014/30/EU** z dne 26. februarja 2014 "o elektromagnetni združljivosti".
- **2011/65/EU** z dne 8. junija 2011 "o omejevanju uporabe nekaterih nevarnih snovi"

Uporabljeni so naslednji standardi:

**EN 62841-1:2015, EN 62841-4-2:2019, EN 55014-1:2017+A11, EN 55014-2:2015, CISPR12:2007+A1 2009, EN IEC 63000:2018.**

Družba TÜV Rheinland LGA Products GmbH, Tillystrasse 2, D-90431 Nuernberg, Germany je v imenu Husqvarna AB opravila neodvisni tipski pregled. Številka certifikata: **AM 50491653 0001**.

Huskvarna 2020-12-30



Pär Martinsson, vodja razvoja (pooblaščen zastopnik družbe Husqvarna AB in odgovorna oseba za tehnično dokumentacijo)

## Съдържание

Въведение.....	372	Отстраняване на проблеми.....	387
Безопасност.....	374	Транспортиране, съхранение и изхвърляне.....	388
Монтаж.....	382	Технически данни.....	388
Операция.....	383	Декларация за съответствие на ЕО.....	391
Поддръжка.....	385		

## Въведение

### Описание на продукта

Husqvarna120iTK4-H са акумулаторни прътови ножици за кастрене на жив плет.

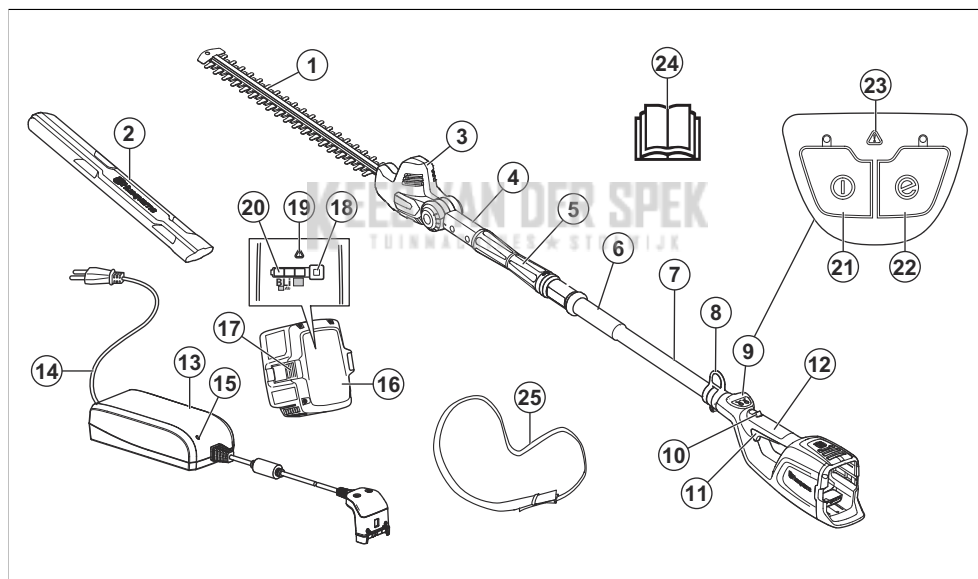
Ние работим постоянно, за да подобряваме Вашата безопасност и ефективност по време на работа.

Свържете се с дистрибутор по обслужването за повече информация.

### Предназначение

Използвайте продукта за изрязване на клони и вейки. Не използвайте продукта за други задачи.

### Общ преглед на продукта



1. Резец
2. Защита при транспортиране
3. Корпус
4. Ръкохватка за регулиране на позицията
5. Телескопична функция
6. Предна дръжка
7. Двусекционен вал
8. Кука за окачване на самара
9. Клавиатура
10. Блокировка на захранващия спусък
11. Захранващ спусък
12. Задна ръкохватка
13. Зарядно устройство за акумулаторна батерия
14. Шнур
15. Включено захранване/предупредителен светодиоди
16. Акумулатор
17. Бутони за освобождаване на батерията
18. Бутон за индикатора на батерията
19. Предупредителен светодиоди
20. Индикаторен светодиоди на акумулаторната батерия
21. Бутон за стартиране/спиране

- 22. Бутон SavE
- 23. Предупредителен светодиоди
- 24. Инструкция за експлоатация
- 25. Самар

## Символи върху машината



**ПРЕДУПРЕЖДЕНИЕ!** Този продукт е опасен. Невнимателното или погрешното използване на продукта може да доведе до нараняване или смърт на оператора или наблюдатели. За да предотвратите нараняване на оператора или наблюдатели, прочетете и спазвайте всички инструкции за безопасност в ръководството на оператора. Прочетете внимателно ръководството за оператора и се уверете, че разбирате инструкциите, преди да използвате машината.



Използвайте защитна каска на местата, където върху Вас могат да паднат предмети. Използвайте одобрени антифони. Използвайте одобрени защитни средства за очите.



Използвайте одобрени защитни ръкавици.



Продуктът е в съответствие с приложимите директиви на ЕО.



Волтаж, V



Прав ток.



Не излагайте на дъжд.



Дръжте ръцете си далеч от резаца.



Телескопична функция.



Функция за регулиране.



Завъртете наляво, за да разхлабите фиксатора, и надясно, за да го затегнете.



Продуктът не е снабден с изолация. Ако продуктът се докосне или се приближи до електропроводи с високо напрежение, това може да причини смърт или сериозно нараняване. Електрически ток може да прескача от една точка до друга посредством електрическа дъга. Колкото по-високо е напрежението, толкова по-голямо разстояние може да прескочи. Електрическият ток може също така да преминава през клони и други предмети, особено когато те са мокри. Винаги дръжте продукта на разстояние най-малко 10 m от електропроводите с високо напрежение и/или обекти, които ги докосват. Ако се налага да работите по-близо от това безопасно разстояние, винаги уведомявайте съответната електроснабдителна фирма, за да се уверите, че електрозахранването е изключено, преди да започнете работа. По време на работа поддържайте най-малко 15 m от други хора или животни.

yyyywwxxxx

На типова табелка е изписан серийният номер. **yyyy** е годината на производство, а **ww** – седмицата на производство.

**Забележка:** Останалите символи/лепенки на продукта се отнасят до изисквания по отношение на сертификати за определени пазари.

## Символи върху акумулатора и/или зарядното устройство



Рециклирайте този продукт в пункт за рециклиране за електрическо и електронно оборудване. (Валидно само за Европа)



Устойчив на неизправности трансформатор.



Използвайте и дръжте зарядното устройство на акумулатора единствено на закрито.



Двойна изолация.

## Отговорност за продукта

Както е посочено в законите за отговорност за вреди, причинени от стоки, ние не носим отговорност за щети, причинени от нашия продукт, ако:

- продуктът е неправилно ремонтиран.
- продуктът е ремонтиран с части, които не са от производителя или не са одобрени от производителя.
- продуктът има принадлежност, която не е от производителя или не е одобрена от производителя.
- продуктът не е ремонтиран в одобрен сервизен център или от одобрен орган.

---

## Безопасност

---

### Дефиниции за безопасност

Предупреждения, знаци за внимание и бележки се използват за указване на особено важни части на инструкцията.



**ПРЕДУПРЕЖДЕНИЕ:** Използва се, ако има опасност от нараняване или смърт за оператора или за околните, ако не се спазват инструкциите в ръководството.



**ВНИМАНИЕ:** Използва се, ако има опасност от повреждане на машината, други материали или съседната зона, ако не се спазват инструкциите в ръководството.

**Забележка:** Използва се за предоставяне на повече информация, която е необходима в дадена ситуация.

### Общи предупреждения за безопасност за силови инструменти



**ПРЕДУПРЕЖДЕНИЕ:** Прочетете внимателно всички предупреждения за безопасността и инструкции. Неспазването на инструкциите и на предупрежденията за безопасност може да доведе до електрически удар, пожар и/или сериозни наранявания.

**Забележка:** Запазете всички предупреждения и инструкции за бъдещи справки. Терминът "електрически инструмент" в предупрежденията се отнася за електрически управлявания (кабелен) електрически инструмент или такъв на батерии (безжичен).

### Безопасност на работната област

- **Поддържайте работната област чиста и добре осветена.** Мръсните и тъмните области са по-предразполагащи към инциденти.
- **Не работете с електрически инструменти в експлозивна среда, като например в присъствието на запалителни течности, газове или прах.** Електрическите инструменти създават искри, които може да възпламенят праха или дима.
- **Дръжте децата и наблюдателите далеч, докато работите с електрически инструмент.** Разсейването може да доведе до загуба на контрол.

### Електрическа безопасност

- **Щепселите на електрическите инструменти трябва да съответстват на контакта. Никога не променяйте щепселите по какъвто и да било начин. Не използвайте никакви адаптерни щепсели със заземени електрически инструменти.** Немодифицираните щепсели и съответстващи им изходи ще намалят рисковете от токов удар.
- **Избягвайте контакт на тялото със заземени повърхности, като тръби, радиатори и хладилници.** Има повишен риск от електрически удар, ако Вашето тяло е заземено или замасено.
- **Не излагайте електрическите инструменти на дъжд или влажни условия.** Водата, която влиза в електрически инструмент, ще увеличи риска от електрически удар.
- **Не насилвайте шнура. Никога не използвайте шнура за носене, дърпане или изключване на електрически инструмент. Пазете шнура далече от топлинни източници, масло, остри ръбове или движещи се части.** Повредените и оплетени шнурове увеличават риска от електрически удар.
- **Когато работите с електрически инструмент навън, използвайте удължителен шнур, който е подходящ за външна употреба.** Шнурът, подходящ за използване на открито, намалява рисковете от токов удар.
- **Ако работата с електрически инструмент на влажно място е неизбежна, използвайте захранване с устройство със защита от**

**остатъчен ток (RCD).** Използването на RCD намалява риска от електрически удар.

## Лична безопасност

- **Бъдете нащрек, внимавайте какво правите и бъдете разсъдливи, когато работите с електрически инструмент. Не използвайте електрически инструмент, когато сте изморени или когато сте под влиянието на наркотици, алкохол или лекарства.** Един миг на невнимание по време на работа с електрически инструменти може да доведе до сериозна телесна повреда.
- **Използвайте лични предпазни средства. Винаги носете защитни средства за очите.** Предпазните средства като респираторна маска, непързалици се предпазни обувки, твърда каска или антифони, използвани за съответните условия, ще намалят телесните повреди.
- **Не допускате нежелано стартиране. Уверете се, че ключът е в позиция ИЗКЛ., преди да свържете към източник на мощност и/или батериите, когато вземате или носите инструмента.** Носенето на електрически инструменти, докато пръстът Ви е на превключателя, или включването в мрежата на инструменти, чийто прекъсвач е в позиция ВКЛ., предразполага към злополуки.
- **Извадете всички настройващи ключове или гаечни ключове, преди да включите електрически инструмент.** Гаечен ключ или ключ, оставен закачен за въртящата се част на електрически инструмент, може да доведе до телесна повреда.
- **Не се протягвайте прекалено надалеч, докато работите. Поддържайте съответната стъпка и баланс през цялото време.** Това позволява по-добър контрол на електрическия инструмент в неочаквани ситуации.
- **Обличайте се подходящо. Никога не носете широки дрехи или украшения. Дръжте косата и дрехите си далеч от движещите се части на инструмента.** Развети дрехи, бижута или дълга коса могат да бъдат закачени в движещите се части.
- **Ако са предоставени устройства за свързване на изсмукване на прах и съдове за събиране, уверете се, че те са свързани и се използват правилно.** Използването на съдове за събиране на прах може да намали опасностите, свързани с праха.
- **Не позволявайте на натрупания от честата употреба на инструменти опит да Ви вдъхне излишна увереност и да игнорирате принципите за безопасна употреба на инструменти.** Едно нехайно действие може да причини сериозно нараняване за част от секундата.
- **Вибрационните емисии по време на действителна употреба на електрически инструмент може да се различават от обявената обща стойност в зависимост от начините на използване на инструмента.** Операторите трябва

да установят защитни мерки, за да се предпазват. Те трябва да са базирани на изчислението на излагане в действителните условия на употреба (като се вземат предвид всички елементи на работния цикъл, като времето, когато инструментът е изключен, както и кога работи на празен ход в допълнение на времето при натиснат спусък).

## Употреба и грижа за електрическия инструмент

- **Не насилвайте електрическия инструмент. Използвайте подходящия електрически инструмент за Вашето приложение.** Правилният електрически инструмент ще свърши работата по-добре и по-безопасно със скоростта, за която е бил създаден.
- **Не използвайте електрически инструмент, ако фиксаторът не го включва и изключва.** Всеки електрически инструмент, който не може да бъде управляван с фиксатора, е опасен и трябва да бъде поправен.
- **Откачете кабела от електрическия източник и/или батериите от електрическия инструмент, преди да правите настройки, да сменяте принадлежности или да съхранявате електрически инструменти.** Тези предпазни мерки намаляват риска от нежелано стартиране на електрическия инструмент.
- **Съхранявайте неизползваните електрически инструменти далеч от достъпа на деца и не разрешавайте на хора, които не са запознати с електрическия инструмент или тези инструкции, да работят с него.** Електрическите инструменти са опасни в ръцете на необучени потребители.
- **Поддържайте електрическите инструменти. Проверявайте за неправилно поставяне или застъпване на движещите се части, счупени части или друго състояние, което може да се отрази на работата на електрическия инструмент.** Ако електрическият инструмент бъде повреден, дайте го на поправка, преди да го използвате. Много инциденти възникват с лошо поддържани електрически инструменти.
- **Поддържайте режещите инструменти остри и чисти.** Правилно поддържаните режещи инструменти с остри режещи краища са по-трудни за огъване и се контролират по-лесно.
- **Използвайте електрическия инструмент, принадлежностите, приставките и т. н. в съответствие с тези инструкции, като имате предвид условията и естеството на работата, която извършвате.** Използването на електрическия инструмент за операции, различни от тези, за които е предназначен, може да доведе до опасни ситуации.
- **Поддържайте ръкохватките и повърхностите за хващане сухи, чисти и без масло и грес.** Хлъзгавите ръкохватки и повърхности за хващане не позволяват безопасно боравене и

контрол над инструмента при непредвидени ситуации.

## Употреба и грижа за инструмента на батерия

- **Презареждайте само със зарядно устройство, определено от производителя.** Зарядно устройство, което е подходящо за един вид батерия, може да създаде опасност от злополука, когато се използва с друга батерия.
- **Използвайте електрическите инструменти само със специално определените комплекти батерии.** Използването на други батерии може да създаде опасност от нараняване и пожар.
- **Когато батерията не е в употреба, дръжте я далече от други метални предмети, като кламери, монети, ключове, пирони, винтове или други, които могат да свържат едната клемма с другата.** Окъсяване на изводите на батерията може да предизвика изгаряния или пожар.
- **При злоупотреба от акумулатора може да бъде изхвърлена течност – избягвайте допир. В случай на случаен контакт изплакнете с вода.** Ако течността попадне в очите, потърсете допълнителна медицинска помощ. Течност, изхвърлена от акумулатора, може да причини раздразнения или изгаряния.
- **Не използвайте акумулаторната батерия или продукт, който е променен или повреден.** Повредените или модифицирани батерии могат да имат непредсказуемо поведение, което да доведе до пожар, експлозия или опасност от нараняване.
- **Не излагайте акумулаторната батерия или уреда на огън или прекомерна температура.** Излагането на огън или температура над 130°C/265°F може да предизвика експлозия.
- **Спазвайте всички инструкции за зареждане и не зареждайте акумулаторната батерия или уреда извън температурния диапазон, посочен в инструкциите.** Неправилното зареждане или зареждането при температури извън определения диапазон може да повредят акумулаторната батерия и да увеличат риска от пожар.

## Обслужване

- **Техническото обслужване на Вашия електрически инструмент трябва да се извършва от квалифицирано лице, като се използват само идентични резервни части.** Това ще гарантира безопасността на електрическия инструмент.
- **Никога не обслужвайте повредени акумулаторни батерии.** Обслужването на акумулаторни батерии трябва да се извършва само от производителя или оторизирани сервизни доставчици.

## Инструкции за безопасност за ножици за кастрене на жив плет

- **Дръжте всички части на тялото си далеч от острието. Не сваляйте нарязания материал и не дръжте материала за рязане, когато остриетата се движат.** Остриетата продължават да се движат след изключване на превключвателя. Един миг на невнимание по време на работа с ножиците за кастрене на жив плет може да доведе до сериозна телесна повреда.
- **Носете ножиците за кастрене на жив плет за ръкохватката със спрени остриета и внимавайте да не включите някой прекъсвач.** Правилното пренасяне на ножиците за кастрене на жив плет ще намали риска от неволно стартиране, което може да доведе до телесна повреда от остриетата.
- **При транспортиране или складиране на ножиците за кастрене на жив плет винаги поставяйте капака на остриетата.** Правилната работа с ножиците за кастрене на жив плет ще намали риска от телесна повреда, причинена от остриетата.
- **Когато почиствате заседнал материал или обслужвате уреда, уверете се, че всички прекъсвачи са изключени и захранващият шнур е разкачен.** Неочакваното задействане на ножиците за кастрене на жив плет при почистване на заседнал материал или обслужване може да доведе до сериозна телесна повреда.
- **Дръжте ножиците за кастрене на жив плет само за изолираната повърхност за хващане, защото острието може да влезе в контакт със скрити кабели или собствения си шнур.** Остриетата в контакт с кабел "фаза" могат да офазят откритите метални части на ножиците за кастрене на жив плет и операторът да бъде изложен на електрически удар.
- **Дръжте всички захранващи шнурове и кабели далеч от зоната на рязане.** Захранващи шнурове или кабели може да бъдат скрити в храстите и случайно да бъдат отрязани от острието.
- **Не използвайте ножиците за кастрене на жив плет в лоши атмосферни условия особено когато има опасност от мълния.** Това намалява опасността да бъдете ударени от мълния.
- **За да намалите опасността от токов удар, никога не използвайте ножиците за кастрене на жив плет с удължен обхват в близост до електропроводи.** Контактът с или използването в близост до електропроводи може да доведе до сериозно нараняване или електрически удар, което може да причини смърт.
- **Винаги използвайте и двете ръце при работа с ножиците за кастрене на жив плет с удължен обхват.** Дръжте с две ръце ножиците за кастрене на жив плет с удължен обхват, за да избегнете загубата на контрол.



- **Винаги използвайте защита за глава, когато работите с ножиците за кастрене на жив плет с удължен обхват над главата си.** Падащи отломки могат да доведат до сериозни телесни повреди.

## Общи инструкции за безопасност



**ПРЕДУПРЕЖДЕНИЕ:** Прочетете следващите предупредителни указания, преди да използвате машината.

- Изваждайте акумулаторната батерия, за да предотвратите случайното включване на продукта.
- Този продукт е опасен инструмент, ако не сте достатъчно внимателни или ако го използвате неправилно. Този продукт може да причини сериозно нараняване или смърт на оператора и други хора.
- Не използвайте продукта, ако е променен спрямо първоначалните му спецификации. Не сменяйте някоя част на продукта без одобрение от производителя. Използвайте само части, които са одобрени от производителя. Неправилното техническо обслужване е възможно да доведе до нараняване или смърт.
- Проверете продукта преди употреба. Вижте *Приспособления за безопасност на машината на страница 379* и *Поддръжка на страница 385*. Не използвайте дефектен продукт. Изпълнявайте описаните в това ръководство проверки за безопасност, както и инструкциите за поддръжка и сервиз.
- Децата трябва да се надзирават, за да се гарантира, че няма да си играят с уреда. Никога не позволявайте на деца или други хора, които не са обучени да използват продукта и/или акумулаторната батерия, да го използват или обслужват. Възрастта на оператора може да е постановена от местните закони.
- Съхранявайте продукта под ключ, за да предотвратите достъпа до него на деца или лица, които не са упълномощени да го използват.
- Съхранявайте продукта на място, недостъпно за деца.
- При никакви обстоятелства не бива да се нанасят модификации в първоначалната конструкция на продукта без разрешение от производителя. Винаги използвайте оригинални принадлежности. Неоторизирани изменения и/или аксесоари могат да предизвикат сериозна телесна повреда или смърт на оператора и други лица.

**Забележка:** Възможно е използването на продукта да се регулира от национални или местни разпоредби. Съобразявайте с предоставените разпоредби.

## Инструкции за безопасност за работа



**ПРЕДУПРЕЖДЕНИЕ:** Прочетете следващите предупредителни указания, преди да използвате продукта.

- Ако се окажете в ситуация, в която сте неуверени как да постъпите, се посъветвайте със специалист. Свържете се с дистрибутора или със сервиза. Избягвайте всяка употреба, за която се чувствате недостатъчно квалифицирани.
- Никога не използвайте продукта, ако сте уморени, ако сте под въздействието на алкохол или наркотични вещества, медикаменти, които въздействат на зрението, преценката или координацията Ви.
- Работата в лошо време е уморителна и често води до допълнителни опасности. Поради повишения риск не се препоръчва работа с машината в много лоши метеорологични условия, например в гъста мъгла, силен дъжд, силни ветрове, силен студ, опасност от светкавици и т.н.
- Неизправното режещо оборудване може да повиши риска от злополуки.
- Не позволявайте на деца да използват продукта или да бъдат в близост до него. Тъй като продуктът се стартира лесно, децата биха могли да го включат, ако не са под постоянен надзор. Това може да означава риск от сериозна телесна повреда. Разкачете батерията, когато машината не е под пряко наблюдение.
- Уверете се, че докато работите няма хора и животни в радиус от 15 метра. Когато няколко оператора работят в един и същ участък, трябва да се спазва безопасно разстояние от поне 15 метра. В противен случай съществува риск от сериозна телесна повреда. Спрете незабавно продукта, ако някой се приближи. Никога не се обръщайте с продукта, без преди това да проверите дали зад Вас не се намира някой в зоната за безопасност.
- Уверете се, че хора, животни или предмети не могат да повлияят върху управлението на продукта или да влязат в контакт с режещото оборудване или изхвърлени от него предмети. Никога не използвайте продукта, ако нямате възможност да повикате помощ в случай на злополука.
- Винаги проверявайте работния участък. Отстранете всички свободни предмети като камъни, счупени стъкла, гвоздеи, стоманени въжета, жици и др., които могат да бъдат изхвърлени или да се омотаят около режещото оборудване.
- Уверете се, че можете да се движите и да стоите безопасно. Проверете зоната около Вас за евентуални препятствия (корени, камъни, клони,

канавки и т.н.), в случай че се наложи да се преместите внезапно. Бъдете много предпазливи при работа по наклонен терен.

- По всяко време трябва да пазите добро равновесие и да сте в стабилен стоеж. Не се протягайте прекалено надалеч, докато работите.
- Деактивирайте продукта, преди да се преместите на друго място. Поставете защитата при транспортиране, когато продуктът не се използва.
- Никога не оставайте продукта на земята, ако преди това не сте го деактивирали. Не оставяйте продукта без надзор, когато е включен.
- Извадете акумулаторната батерия, преди да предадете продукта на друго лице.
- Уверете се, че никакви дрехи или части от тялото Ви не влизат в съприкосновение с режещото оборудване, докато продуктът работи.
- Ако нещо заседне в режещото оборудване, докато работите с продукта, спрете и деактивирайте продукта. Уверете се, че режещото оборудване е напълно спряно. Извадете акумулаторната батерия преди почистване, проверка или ремонт на продукта и/или режещото оборудване.
- Дръжте ръцете и краката си далеч от режещото оборудване, докато то не спре изцяло, когато продуктът бъде деактивиран.
- Внимавайте за парчета от клоните, които могат да изхвърчат, докато режете. Не режете прекалено близо до земята, от където могат да изхвърчат камъни или други предмети.
- Опасност от хвърчащи предмети. Винаги носете одобрени от съответните органи защитни средства за очите. Никога не се навеждайте отвъд защитата на резеца. В очите Ви могат да попаднат камъчета, отпадъци и други, които могат да причинят слепота или сериозно нараняване.
- Бъдете винаги нащрек за предупредителни сигнали или подвиквания, когато използвате антифони. Винаги сваляйте антифоните незабавно след спиране на продукта.
- Не работете никога от стълба, столче или друго положение на високо, което не е напълно обезопасено.
- Тази машина създава електромагнитно поле по време на работа. При някои условия това поле може да интерферира с активни или пасивни медицински имплантанти. За да намалите риска от сериозно или фатално нараняване, ние препоръчваме лицата с медицински имплантанти да се консултират с лекаря си и производителя на медицинския имплантат, преди да започнат да работят с тази машина.
- Винаги дръжте продукта с две ръце. Дръжте продукта отясно на тялото си.
- Винаги спирайте продукта, изваждайте акумулаторната батерия и се уверявайте, че

режещото оборудване не се върти, преди да премахнете материала, който е увит около оста на резеца или е заключен между предпазителя и режещото оборудване.

- Електромагнитното поле по време на работа може да причини смущения на активни или пасивни медицински импланти. Лицата с медицински импланти трябва да се консултират със своя лекар и с производителя на медицинския имплант, преди да работят с този продукт.
- Придържайте теглото на продукта чрез самара, за да улесните работата с него.
- Дълготрайното излагане на шум може да доведе до постоянно влошаване на слуха. Husqvarna препоръчва на операторите да използват одобрени антифони.
- Никога не използвайте продукт с модификации на оригиналните спецификации.
- Никога не използвайте продукт, който е неизправен. Извършвайте описаните в това ръководство за експлоатация редовни проверки за безопасност, поддръжка и сервиз. Определени операции по поддръжката и сервиза се извършват единствено от квалифицирани специалисти. Вижте инструкциите в раздела за поддръжка.
- Извършете цялостна проверка на продукта преди употреба. Вижте графика за техническо обслужване.
- Не позволявайте никои друг да използва машината, без първо да сте се уверили, че е прочел и разбрал съдържанието на инструкцията за експлоатация.
- Проверявайте работния участък за странични предмети като електрически кабели и животни и т. н. или други предмети, които могат да повредят режещото оборудване, като например метални предмети.
- Неизправните остриета могат да повишат риска от злополуки.

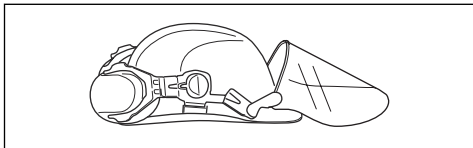
## Лични предпазни средства



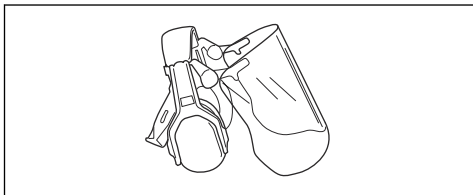
**ПРЕДУПРЕЖДЕНИЕ:** Прочетете следващите предупредителни указания, преди да използвате продукта.

- При работа с продукта винаги използвайте одобрени лични предпазни средства. Личните предпазни средства не изключват изцяло риска от нараняване, но намаляват степента на нараняването при злополука. Нека Вашият доставчик Ви помогне да изберете подходящото оборудване.

- Използвайте защитна каска, когато има риск от падащи предмети.



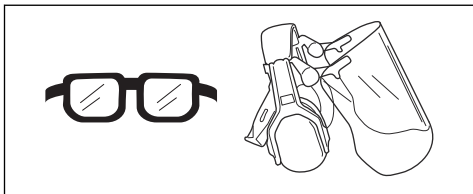
- Продължителното излагане на шум може да доведе до увреждане на слуха. По принцип продуктите, захранвани от батерии, са сравнително тихи, но увреждането може да настъпи в резултат на комбинация от нивото на шума и дългото използване. Husqvarna препоръчва операторите да използват антифонии при по-продължително ползване на продуктите през деня. Потребителите, които използват продукт продължително и редовно, трябва да проверяват слуха си периодично.



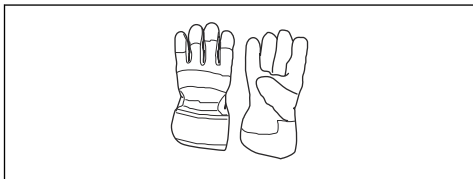
### ПРЕДУПРЕЖДЕНИЕ:

Антифоните ограничават възможността за чуване на звуци и предупредителни сигнали.

- Използвайте одобрени защитни средства за очите. Ако използвате маска, използвайте също и одобрени защитни очила. С одобрени защитни очила се има предвид такива, които отговарят на стандарт ANSI Z87.1 за САЩ или EN 166 за страните от ЕС.



- Когато е необходимо, носете ръкавици, например, когато закрепвате, проверявате или почиствате режещото оборудване.



- Използвайте дрехи, направени от здрава тъкан. Винаги използвайте здрави, дълги панталони и дълги ръкави. Не носете използвайте дрехи, които могат да се захванат за храсти и клони. Не носете бижута, къси панталони, сандали и не работете боси. Носете косата си безопасно над нивото на рамената.
- Дръжте в близост комплект за първа помощ.



## Приспособления за безопасност на машината



**ПРЕДУПРЕЖДЕНИЕ:** Прочетете следващите предупредителни указания, преди да използвате машината.

В този раздел се описва предпазното оборудване на продукта, неговото предназначение и как трябва да се извършват проверки и техническо обслужване, за да се гарантира правилната работа. Вижте инструкциите под заглавието *Общ преглед на продукта на страница 372*, за да откриете къде се намират тези части на продукта Ви.

Срокът на експлоатация на продукта може да се намали, а рискът от злополуки да се повиши, ако не се извършва правилно техническо обслужване на продукта и сервизът и/или ремонтите не се извършват професионално. Ако Ви е необходима допълнителна информация, обърнете се към сервиза, разположен най-близо до Вас.



**ПРЕДУПРЕЖДЕНИЕ:** Никогa не използвайте продукта с дефектни безопасителни компоненти.

Предпазните средства на продукта трябва да бъдат прегледани и технически обслужвани, както е описано в този раздел. Ако продуктът Ви не премине успешно някоя от изброените проверки, свържете се със сервиза си за извършване на ремонт.

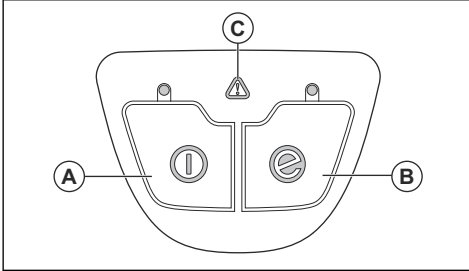


**ВНИМАНИЕ:** Всяко извършване на сервиз и ремонт на машината изисква специално образование. Това важи в особена степен за предпазните средства на машината. Обърнете към сервиза си, ако машината не отговаря на изброените по-долу проверки. При покупката на наш продукт ние гарантираме предоставянето на квалифицирани ремонтни услуги и сервиз. Ако мястото, от което сте

закупили машината, не е наш специализиран дистрибутор, запитайте за най-близката сервисна работилница.

### За проверка на клавиатурата

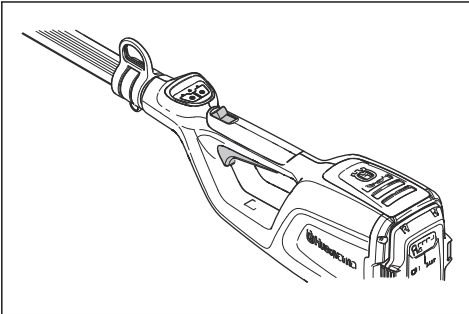
1. Натиснете и задръжте бутона за стартиране/спиране (A).



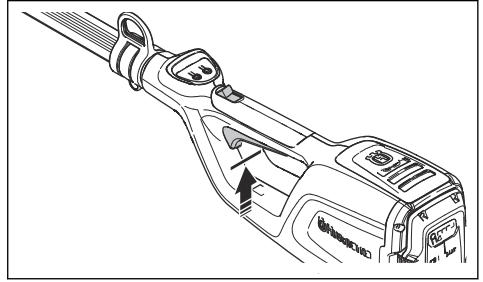
- a) Продуктът е включен, когато светодиодът свети.
  - b) Продуктът е изключен, когато светодиодът не свети.
2. Относно функцията на бутон SavE (B) направете справка с *За да стартирате функцията SavE на страница 385.*
  3. Вижте *Отстраняване на проблеми на страница 387*, ако индикаторът за предупреждение (C) свети или примигва.

### За проверка на блокировката на захранващия спусък

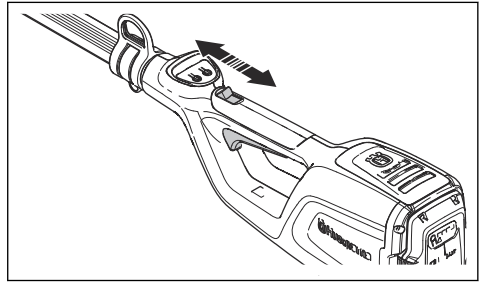
Блокировката на захранващия спусък предотвратява случайно задействане. Ако освободите дръжката, захранващият спусък и блокировката се връщат в първоначалното си положение.



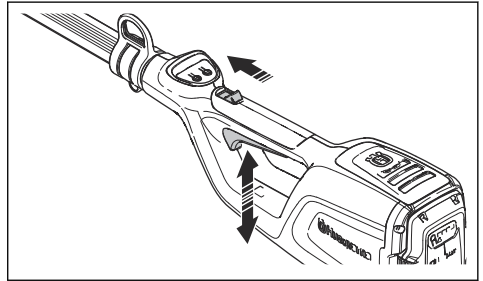
1. Уверете се, че захранващият спусък е блокиран, когато блокировката му е в начално положение.



2. Дръпнете и освободете блокировката и се уверете, че се връща в нейното първоначално положение.



3. Уверете се, че захранващият спусък и блокировката се движат свободно и че възвратната пружина функционира нормално.



4. Спрете продукта, вижте *За стартиране на продукта на страница 384.*
5. Приложете пълни обороти.
6. Освободете захранващия спусък и се уверете, че режещото оборудване напълно спира.

### Безопасност на акумулатора



**ПРЕДУПРЕЖДЕНИЕ:** Прочетете следващите предупредителни указания, преди да използвате продукта.

- Препоръчителната батерия е BLi10. Вижте *Технически данни на страница 388*. Батерията е шифрована софтуерно.
- Използвайте батерия BLi10, която може да се презарежда, като източник на захранване единствено за свързаните продукти Husqvarna. За да предотвратите нараняване, не използвайте акумулаторната батерия като източник на захранване за други устройства.
- Опасност от електрически удар. Не свързвайте клемите на акумулатора с ключове, монети, винтове или други метални предмети. Това може да доведе до късо съединение на акумулаторната батерия.
- Не използвайте акумулатори, които не се презареждат.
- Не поставяйте предмети във въздушните отвори на акумулаторната батерия.
- Съхранявайте акумулаторната батерия далеч от слънчева светлина, топлина или открит огън. Батерията може да причини изгаряния и/или химически изгаряния.
- Съхранявайте акумулаторната батерия далеч от дъжд или влага.
- Съхранявайте акумулаторната батерия далеч от микровълни и високо налягане.
- Не се опитвайте да разглобите или счупите акумулаторната батерия.
- Ако има в акумулатора има теч, не оставяйте течността да влиза в контакт с тялото и очите. Ако докоснете течността, измийте мястото с голямо количество вода и сапун и потърсете медицинска помощ. Ако в очите Ви попадне течност, не ги търкайте, а ги промийте с вода в продължение на най-малко 15 минути и потърсете медицинска помощ.
- Използвайте батерията при температури между – 10°C (14°F) и 40°C (114 °F).
- Не почиствайте акумулаторната батерия или зарядното устройство с вода. Вижте *За почистване на продукта, батерията и зарядното устройство на страница 386*.
- Не използвайте дефектен или повреден акумулатор.
- Съхранявайте акумулаторната батерия далеч от метални предмети като гвоздеи, винтове или бижута.
- Дръжте акумулаторната батерия далеч от деца.
- Не използвайте зарядни устройства, различни от доставеното с машината. Препоръчителното зарядно устройство е QC80, когато зареждате батерията BLi10.
- Не опитвайте да демонтирате зарядното устройство.
- Не използвайте дефектно или повредено зарядно устройство.
- Не вдигайте зарядното устройство, като го държите за шнура. За да изключите зарядното устройство от стенния контакт, дръпнете щепсела. Не дърпайте захранващия шнур.
- Дръжте всички кабели и удължителни кабели далеч от вода, масло или остри ръбове. Уверете се, че кабелът не е захванат между предмети, като например врати, огради и подобни.
- Не използвайте зарядното устройство близо до запалими материали или материали, които причиняват корозия. Уверете се, че зарядното устройство не е покрито. Ако има дим или огън, извадете щепсела на зарядното устройство.
- Зареждайте акумулаторната батерия само на закрито, на място с добра вентилация и далеч от слънчева светлина. Не зареждайте акумулаторната батерия на открито. Не зареждайте акумулаторната батерия във влажна условия.
- Използвайте зарядното устройство само при температури между 5°C (41°F) и 40°C (104°F). Използвайте зарядното устройство в среда, която е суха, без прах и има добро проветряване.
- Не поставяйте предмети в охлаждащите отвори на зарядното устройство.
- Не свързвайте клемите на зарядното устройство към метални предмети, тъй като това може да предизвика късо съединение на зарядното устройство.
- Използвайте одобрени мрежови контакти, които не са повредени. Уверете се, че шнурът на зарядното устройство за батерията не е повреден. Ако използвате удължителни кабели, уверете се, че те не са повредени.

## Инструкции за безопасност при техническо обслужване



**ПРЕДУПРЕЖДЕНИЕ:** Прочетете следващите предупредителни указания, преди да извършвате техническо обслужване на продукта.

## Инструкции за безопасност за зарядното устройство на акумулаторната батерия



**ПРЕДУПРЕЖДЕНИЕ:** Прочетете следващите предупредителни указания, преди да използвате продукта.

- Ако не се спазват инструкциите за безопасност, има опасност от токов удар или късо съединение.
- Извадете батерията, преди да извършите техническо обслужване, други проверки или съгласяване на продукта.
- Операторът трябва да извършва само техническо обслужване и ремонтни дейности, показани в тази инструкция за експлоатация. Обърнете се към Вашия сервизен дилър при

нужда от по-сериозно техническо обслужване и ремонтни дейности.

- Не почиствайте батерията или зарядното устройство с вода. Силните почистващи препарати могат да повредят пластмасата.
- Ако не извършвате техническо обслужване, това намалява експлоатационния живот на продукта и увеличава риска от злополука.
- Необходимо е специално обучение за всички ремонтни дейности и поправки особено що се отнася до приспособленията за безопасност на продукта. Ако не всички проверки в тази инструкция за експлоатация са одобрени, след

като сте извършили техническото обслужване, обърнете се към Вашия сервизен дилър. Ние гарантираме, че за Вашия продукт има налични професионални поправки и ремонти.

- Поддържайте режещите зъбци на острието правилно заточени. Спазвайте препоръките ни. Вижте и инструкциите върху опаковката на острието.
- Използвайте само оригинални резервни части.
- Винаги използвайте ръкавици за тежки условия, когато ремонтирате режещото оборудване. Остриетата са изключително остри и лесно могат да причинят наранявания.

## Монтаж

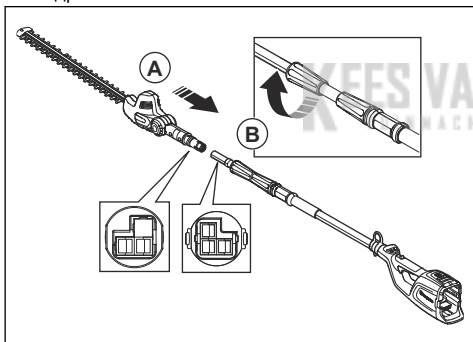
### Въведение



**ПРЕДУПРЕЖДЕНИЕ:** Прочетете и разберете главата за безопасност, преди да монтирате продукта.

### Сглобяване на двусекционния вал

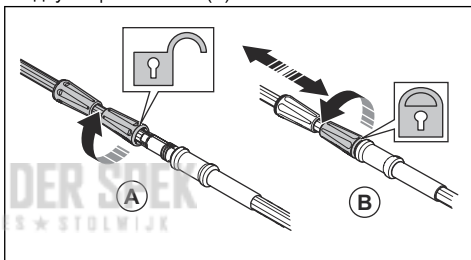
1. Уверете се, че електрическите контакти са подравнени.



2. Присъединете изцяло краищата на двусекционния вал (A).
3. Затегнете винтовата ръкохватка от страната на главата на ножиците за кастрене на жив плет на двусекционния вал (B).

### За регулиране на дължината на двусекционния вал

1. Разхлабете винтовата ръкохватка от страната на корпуса на акумулаторната батерия на двусекционния вал (A).



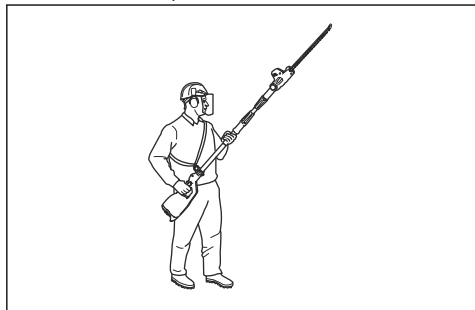
2. Регулирайте двусекционния вал до подходяща дължина.
3. Затегнете винтовата ръкохватка (B).

### Регулиране на самара

Винаги използвайте самара, когато работите с продукта. Самарът Ви предоставя максимален контрол по време на работа с продукта. Самарът намалява риска от умора в ръцете и гърба.

1. Поставете самара.
2. Закачете продукта на куката за окачване на самара.

3. Регулирайте дължината на самара, докато куката за окачване е на приблизителното ниво на дясното Ви бедро.



## Операция

### Въведение



**ПРЕДУПРЕЖДЕНИЕ:** Прочетете и разберете раздела с инструкции за безопасност преди използване на продукта.

### Извършете преди стартиране на продукта

1. Огледайте работната зона. Отстранете обектите, които могат да изхвърчат във въздуха.
2. Проверете режещото оборудване. Уверете се, че остриетата са остри и нямат пукнатини и повреди.
3. Уверете се, че продуктът работи нормално. Проверете дали всички гайки и винтове са затегнати.
4. Уверете се, че ръкохватката и приспособленията за безопасност не са повредени и са поставени правилно. Не използвайте продукта, ако липсват части или са направени промени спрямо първоначалната спецификация. Използвайте защитни ръкавици, когато е необходимо.
5. Уверете се, че кондензаторите не са повредени и са поставени правилно, преди да работите с продукта.

### За свързване на зарядното устройство

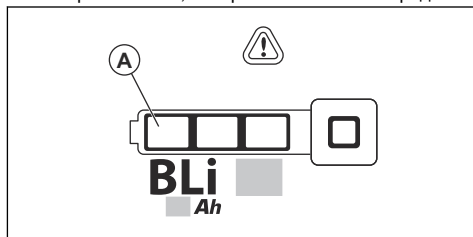
1. Свържете зарядното устройство към напрежението и честотата, които са указани на типовата табелка.
2. Поставете щепсела в заземен контакт. Светодиодът на зарядното устройство примигва един път в зелено.

**Забележка:** Батерията няма да се зарежда, ако нейната температура е по-висока от 50°C/122°F. Ако температурата е по-висока от 50°C/122°F, зарядното устройство ще изчака батерията да се охлади, преди да продължи зареждането.

### За свързване на акумулатора към зарядното устройство

**Забележка:** Заредете батерията, ако това е първият път, в който я използвате. Новата батерия е заредена само на 30%.

1. Уверете се, че батерията е суха.
2. Свържете акумулаторната батерия към зарядното устройство.
3. Уверете се, че зелената светлина за зареждане на зарядното устройство светва. Това означава, че батерията е свързана правилно към зарядното устройство.
4. Когато всички светодиоди (A) на акумулаторната батерия светнат, батерията е напълно заредена.



5. За да изключите зарядното устройство от стенния контакт, дръпнете щепсела. Не дърпайте шнур.
6. Извадете акумулатора от зарядното устройство.

**Забележка:** Разгледайте инструкциите за батерията и за зарядното устройство за повече информация.

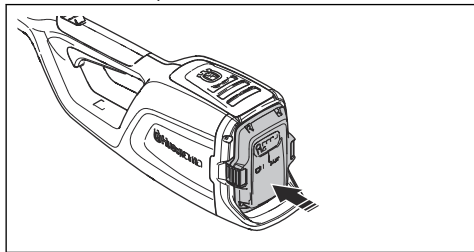
## За свързване на батерията към продукта



### ПРЕДУПРЕЖДЕНИЕ:

Използвайте само оригинални батерии Husqvarna в продукта.

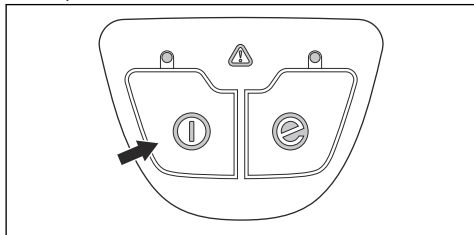
1. Уверете се, че батерията е напълно заредена.
2. Поставете батерията в държача за батерия на продукта. Акумулаторната батерия трябва да се плъзне лесно в държача; ако не е така, значи не е поставена правилно.



3. Натиснете долната част на акумулаторната батерия и я избутайте докрай в държача за батерията. Батерията се заключва в позиция, когато чуete щракване.
4. Уверете се, че ключалките се застопоряват правилно на позиция.

## За стартиране на продукта

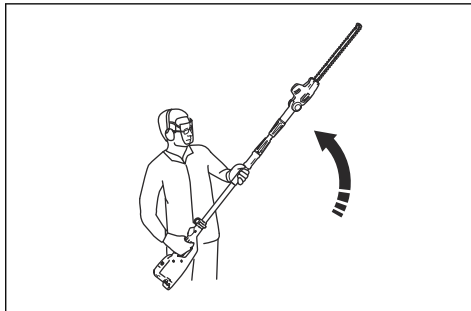
1. Натиснете и задръжте бутона за стартиране/спиране, докато зеленият светодиод не светне.



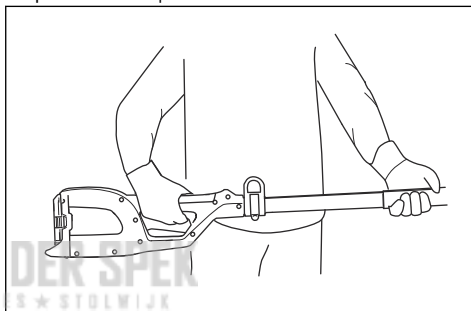
2. Дръпнете блокировката на захранващия спусък назад и задръжте захранващия спусък.

## За да работите с продукта

- Започнете близо до земята и местете продукта нагоре по плета, когато режете страните.



- Дръжте продукта близо до тялото си за стабилна работна позиция.

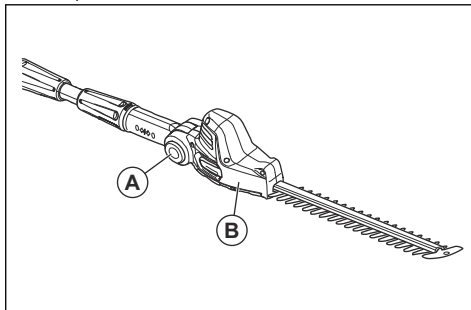


- Уверете се, че върхът на режещото оборудване не докосва земята.
- Бъдете внимателни и работете бавно, докато не подрежете всички клонове по правилния начин.

## За регулиране на ъгъла на режещото оборудване

Режещото оборудване може да бъде регулирано в 7 различни позиции.

1. Спрете продукта и отстранете акумулаторната батерия.



2. Дръжте корпуса (B) здраво.

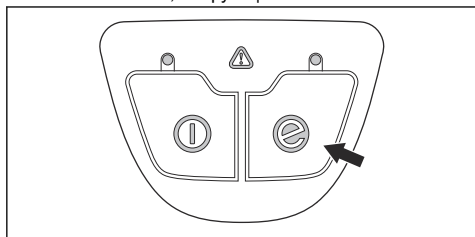


3. Натиснете и задръжте фиксиращите бутони (А) от 2-те страни на корпуса (В).
4. Преместете режещото оборудване до правилния ъгъл.
5. Освободете фиксиращите бутони (А) от 2-те страни.
6. Преместете корпуса (В) нагоре и надолу, докато режещото оборудване се фиксира на позиция.

### За да стартирате функцията SavE

Този продукт има функция SavE. Функцията SavE осигурява най-дълго време на работа от батерията.

1. Натиснете бутона SavE. Светодиодът ще светне, което означава, че функцията е включена.



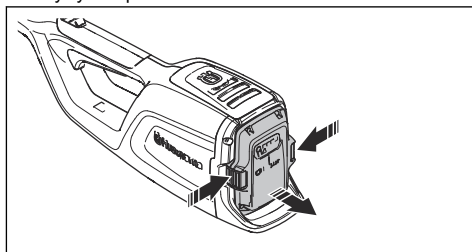
2. Натиснете отново бутона SavE, за да спрете функцията SavE.

### Функция за автоматично изключване

Продуктът разполага с автоматична функция за изключване, която го спира, ако той не се използва. Зеленият индикаторен светодиод за стартиране/спиране изгасва и след 60 секунди продуктът спира.

### Спиране на продукта

1. Освободете хранявения спусък.
2. Натиснете и задръжте бутона за стартиране/спиране, докато зеленият светодиод не изгасне.
3. Извадете батерията от продукта. Натиснете 2-та бутон за освобождаване и извадете акумулатора.



## Поддръжка

### Въведение



**ПРЕДУПРЕЖДЕНИЕ:** Прочетете и разберете главата с инструкции за безопасност, преди да започнете техническо обслужване на продукта.



**ПРЕДУПРЕЖДЕНИЕ:** Извадете акумулаторната батерия преди

извършване на техническа поддръжка на продукта.

### График за техническо обслужване

Следва списък със стъпките от техническото обслужване, които трябва да изпълните за Вашия продукт.

Техническо обслужване	Преди употреба	Всяка седмица	Всеки месец
Почиствайте външните части на продукта.	X		
Проверете дали превключвателят за стартиране и спиране работи правилно и не е повреден.	X		
Уверете се, че хранявеният спусък и блокировката на хранявения спусък работят правилно от гледна точка на безопасността.	X		
Уверете се, че всички контролни органи работят и не са повредени.	X		
Уверете се, че острието на резеца и предпазителят на резеца не са напукани и не са повредени. Сменете острието на резеца или предпазителя на резеца, ако са напукани или ударени.	X		

Техническо обслужване	Преди употреба	Всяка седмица	Всеки месец
Сменете острието на резеца, ако е огънато или повредено.	X		
Уверете се, че всички винтове и гайки са затегнати.	X		
Уверете се, че батерията не е повредена.	X		
Уверете се, че батерията е заредена.	X		
Уверете се, че зарядното устройство не е повредено.	X		
Уверете се, че винтовете, които придържат остриетата на резците едно към друго, са добре затегнати.		X	
Проверете връзките между акумулаторната батерия и продукта. Проверете връзката между акумулаторната батерия и зарядното устройство.			X

## За проверка на батерията и зарядното устройство

1. Проверете батерията за повреди, като например пукнатини.
2. Проверете зарядното устройство за повреди, като например пукнатини.
3. Уверете се, че свързващият кабел на зарядното устройство не е повреден и напукаан.

## За почистване на продукта, батерията и зарядното устройство

1. Почиствайте продукта със сух парцал след употреба.
2. Почиствайте батерията и зарядното устройство със сух парцал. Дръжте водачите на батерията чисти.
3. Уверете се, че клемите на батерията и зарядното устройство са чисти, преди батерията да е поставена в зарядното устройство или в продукта.

## За проверка на острието на резеца

1. Почиствайте остриетата на резците от нежелани материали с антикорозионен почистващ агент преди и след използване на продукта.
2. Проверявайте ръбовете на острието на резеца за повреди и деформация.
3. Използвайте пила за отстраняване на неравности върху острието на резеца.

4. Уверете се, че остриетата на резците се движат свободно.

## За почистване и смазване на ножовете

1. Почистете резците от нежелани материали преди и след използване на Вашия продукт.
2. Смажете резците преди дълги периоди на съхранение.

**Забележка:** Обърнете се към Вашия сервизен търговец за повече информация относно препоръчителните почистващи препарати и смазки.

## За смазване на предавката

Нанесете грес към корпуса на скоростната кутия, ако предавката е разглобена от одобрен сервизен търговец.

- Използвайте специална грес Husqvarna. Говорете с Вашия дистрибутор по обслужването за повече информация относно препоръчителна грес.
- Използвайте само малка част от специална висококачествена грес.



**ВНИМАНИЕ:** Не пълнете до горе корпуса на скоростната кутия.

## Отстраняване на проблеми

### Клавиатура

Светодиоден екран	Възможни неизправности	Възможни решения
Светодиодът за грешка мига.	Претоварване	Режещото оборудване не може да се движи свободно. Освободете режещото оборудване.
Продуктът не стартира.	Има замърсяване в конекторите на акумулатора.	Почистете клемите на акумулаторната батерия с въздух под налягане или с мека четка.
Светодиодът за грешка светва с червена светлина.	Необходимо е извършването на сервизно обслужване на продукта	Говорете с Вашия сервизен търговец.

### Акумулаторна батерия

Светодиоден дисплей	Възможни неизправности	Възможно действие
Зеленият светодиод мига.	Ниско напрежение на акумулаторната батерия.	Заредете акумулаторната батерия.
Светодиодът за грешка мига.	Температурно отклонение.	Използвайте акумулаторната батерия при температури между -10°C (14°F) и 40°C (104°F).
	Твърде високо напрежение.	Уверете се, че мрежовото напрежение отговаря на напрежението на типовата табелка на продукта.  Извадете акумулатора от зарядното устройство.
Светодиодът за грешка свети.	Разликата в клетките е твърде голяма (1 V).	Говорете с дистрибутора по сервизното обслужване.

### Зарядно устройство за акумулаторна батерия

Проблем	Възможни неизправности	Възможно решение
Червеният светодиод за грешка мига.	Температурно отклонение.	Използвайте зарядното устройство за батерията при температури между 5°C (41°F) и 40°C (104°F).
Червеният светодиод за грешка светва.	Твърде голяма разлика в клетките (1 V).	Говорете с дистрибутора по сервизното обслужване.

# Транспортиране, съхранение и изхвърляне

## Транспорт и съхранение

- Доставените литиево-йонни батерии отговарят на изискванията на законодателството за опасни продукти.
- Специалното изискване на опаковката и етикетите за търговско транспортиране трябва да се спазва, включително от трети страни и следители.
- Говорете с човек, преминал специално обучение за работа с опасни материали, преди да изпратите продукта. Спазвайте всички приложими национални наредби.
- Поставете тиксо върху откритите терминали, когато поставяте батерията в опаковка. Поставете акумулатора плътно в опаковката, за да предотвратите движение.
- Извадете батерията при съхраняване или транспортиране.
- Поставете батерията и зарядното устройство в сухо пространство, в което няма влага и скреж.
- Не съхранявайте акумулатора на места, където може да се натрупа статично електричество. Не съхранявайте акумулатора в метална кутия.
- Поставете акумулаторната батерия за съхранение при температура между 5°C/41°F и 25°C/77°F и далеч от пряка слънчева светлина.
- Поставете зарядното устройство за съхранение при температура между 5°C/41°F и 45°C/113°F и далеч от пряка слънчева светлина.
- Използвайте зарядното устройство само когато околната температура е между 5°C/41°F и 40°C/104°F.

- Заредете батерията между 30% и 50%, преди да я оставите за съхранение за продължително време.
- Съхранявайте зарядното устройство в затворено и сухо пространство.
- При съхранение дръжте акумулатора и зарядното устройство отделно. Не позволявайте на деца или други неодобренни лица да имат контакт с оборудването. Дръжте оборудването в пространство, което можете да заключавате.
- Почистете продукта и извършете пълно обслужване, преди да го съхранявате продължително време.
- Използвайте защитата при транспортиране на продукта, за да предотвратите наранявания или повреди на продукта по време на транспортиране и съхранение.
- Закрепете продукта безопасно при транспортиране.

## Изхвърляне на батерията, зарядното устройство и продукта

Символите на продукта или на неговата опаковка означават, че той не е битов отпадък. Рециклирайте го в пункт за рециклиране за електрическо и електронно оборудване. Това помага да се предотврати увреждане на околната среда или на хора.

Свържете се с местните служби, местна сметосъбираща организация или с Вашия дилър за повече информация относно рециклирането на продукта.

## Технически данни

### Технически данни

	1201TK4-H
<b>Двигател</b>	
Тип двигател	PMDC 36V
<b>Тегло</b>	
Тегло без акумулаторна батерия, kg	4,6
Тегло с акумулаторна батерия (акумулаторна батерия по подразбиране BLi10), kg	5,3

	120ITK4-H
<b>Шумови емисии<sup>64</sup></b>	
Ниво на звуковата мощност, измерена в dB(A)	91,32
Ниво на звуковата мощност, гарантирана L <sub>WA</sub> dB(A)	94
<b>Нива на шума<sup>65</sup></b>	
Ниво на звуковото налягане при ухото на оператора, измерено съгласно EN 62841-1 и EN 62841-4-2, dB(A)	81,3
<b>Нива на вибрациите<sup>66</sup></b>	
Ниво на вибрациите (a <sub>h</sub> ) в предни/задни ръкохватки, m/s <sup>2</sup> . Направете справка с EN 62841-1 и EN 62841-4-2.	1,223/0,816
<b>Режъщо оборудване</b>	
Тип	Двустраниен
Дължина на острието, mm	500
Скорост на рязане на острието/min в режим SavE	2250
Скорост на рязане на острието/min извън режим SavE	2800

## Одобрени зарядни устройства

<b>Зарядно устройство за акумулаторна батерия</b>	QC80
Входно напрежение, V	100 – 240
Честота, Hz	50 – 60
Мощност, W	100
Изходно напрежение, V DC/A	36/2

## Одобрени акумулаторни батерии за продукта

<b>Акумулатор</b>	BLi10
Тип	Литиево-йонен

<sup>64</sup> Емисии на шума в околната среда, измерени като звукова мощност (L<sub>WA</sub>) в съответствие с директива на ЕО 2000/14/ЕО. Разликата между гарантираното и измереното ниво на шума е в това, че гарантираното ниво на шума включва също и дисперсията в резултата от измерването, както и вариациите между различните продукти от един и същи модел според Директива 2000/14/ЕО.

<sup>65</sup> Типичната статистическа дисперсия за еквивалентно ниво на звуковото налягане е стандартно отклонение от 3 dB (A).

<sup>66</sup> Отчетените данни за равнището на вибрации имат типична статистическа дисперсия (стандартно отклонение) от 1,5 m/s<sup>2</sup>.

Обявената обща стойност на вибрациите е измерена в съответствие със стандартизиран метод на тестване и може да се използва за сравняване на един инструмент с друг.

Обявената обща стойност на вибрациите може също да се използва в предварителна оценка на излагането.

<b>Акумулатор</b>	<b>BLi10</b>
Капацитет на акумулаторната батерия, Ah	Направете справка с лепенката с номинални стойности на акумулатора
Номинално напрежение, V	36
Тегло, kg	0,7

**KEES VAN DER SPEK**  
TUINMACHINES ★ STOLWIJK

---

## Декларация за съответствие на ЕО

---

### Декларация за съответствие на ЕО

**Husqvarna AB**, SE-561 82 Huskvarna, Швеция, тел.: +46-36-146500, удостоверява, че прътовите ножици за кастрене на жив плет **Husqvarna 120ПТК4-Н** със серийни номера от 2021 и нататък (годината е ясно обозначена върху типовата табелка, следвана от серийния номер) отговарят на изискванията на ДИРЕКТИВАТА НА СЪВЕТА:

- от 17 май 2006 г., "свързани с машини" **2006/42/ЕО**.
- от 26 февруари 2014 г., "свързани с електромагнитната съвместимост" **2014/30/ЕС**.
- от 8 юни 2011 г. относно "ограничения за използване на определени опасни вещества" **2011/65/ЕС**.

Приложени са следните стандарти:

**EN 62841-1:2015, EN 62841-4-2:2019, EN 55014-1:2017+A11, EN 55014-2:2015, CISPR12:2007+A1 2009, EN IEC 63000:2018.**

TÜV Rheinland LGA Products GmbH, Tillystrasse 2, D-90431 Nuernberg, Germany, извърши доброволно изпитване на типа от името на Husqvarna AB. Сертификатът е с номер: **AM 50491653 0001**.

Huskvarna 2020-12-30

**KEES VAN DER SPEK**  
TUINMACHINES \* STOLWIJK



Pär Martinsson, мениджър "Разработки и развитие"  
(Оторизиран представител на Husqvarna AB и отговорник за техническата документация.)

## Περιεχόμενα

Εισαγωγή.....	392	Αντιμετώπιση προβλημάτων.....	407
Ασφάλεια.....	394	Μεταφορά, αποθήκευση και απόρριψη.....	408
Συναρμολόγηση.....	402	Τεχνικά στοιχεία.....	408
Λειτουργία.....	403	Δήλωση Συμμόρφωσης ΕΚ.....	411
Συντήρηση.....	405		

## Εισαγωγή

### Περιγραφή προϊόντος

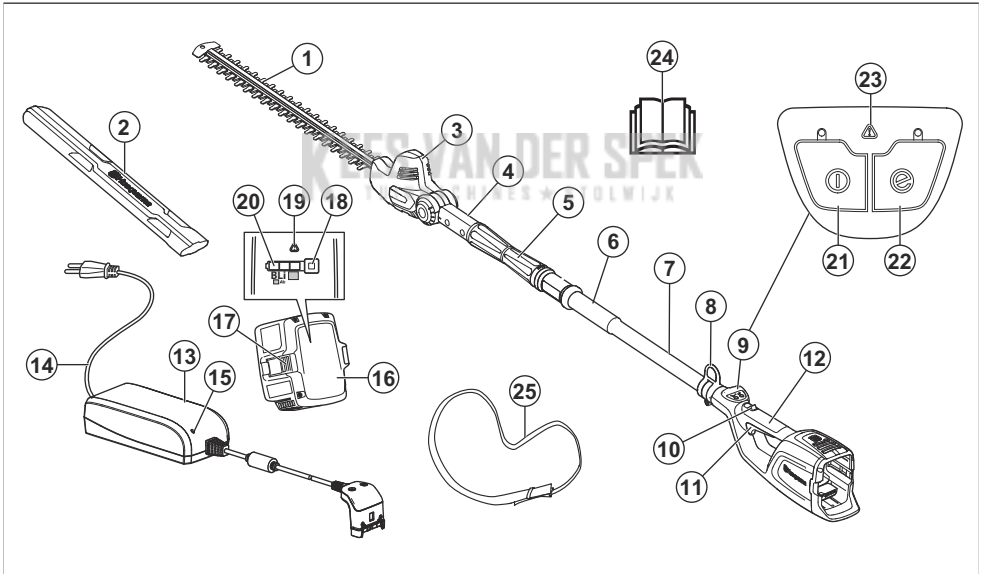
Το Husqvarna 120iTK4-H είναι ένα τηλεσκοπικό μπортουρογάλιδο μπαταρίας με κοντάρι.

Εργαζόμαστε συνεχώς για απολαμβάνετε μεγαλύτερη ασφάλεια και υψηλότερη απόδοση κατά τη διάρκεια της εργασίας. Απευθυνθείτε στον αντιπρόσωπο σέρβις για περισσότερες πληροφορίες.

### Προβλεπόμενη χρήση

Το προϊόν χρησιμοποιείται για την κοπή κλαδιών και κλωναριών. Μην χρησιμοποιείτε το προϊόν για άλλες εργασίες.

### Επισκόπηση προϊόντος



1. Λεπίδα
2. Προστατευτικό μεταφοράς
3. Περιβλήμα
4. Θέση διαιρούμενης λαβής
5. Τηλεσκοπική λειτουργία
6. Εμπρόσθια χειρολαβή
7. Άξονας
8. Γάντζος στήριξης εξάρτησης
9. Πληκτρολόγιο
10. Ασφάλεια σκανδάλης γκαζιού
11. Σκανδάλη γκαζιού
12. Οπίσθια χειρολαβή
13. Φορτιστής μπαταρίας
14. Καλώδιο
15. Λυχνία LED λειτουργίας/προειδοποίησης
16. Μπαταρία
17. Κουμπιά απελευθέρωσης μπαταρίας
18. Κουμπί ένδειξης μπαταρίας
19. Λυχνία LED προειδοποίησης
20. Λυχνία LED μπαταρίας
21. Λυχνία LED μπαταρίας
22. Λυχνία LED μπαταρίας
23. Κεφαλή κοπής
24. Οδηγός
25. Ξηρόχορτο



21. Κουμπί εκκίνησης/διακοπής λειτουργίας
22. Κουμπί λειτουργίας εξοικονόμησης SavE
23. Λυχνία LED προειδοποίησης
24. Εγχειρίδιο χρήσης
25. Εξάρτηση

## Σύμβολα στο προϊόν



**ΠΡΟΕΙΔΟΠΟΙΗΣΗ!** Αυτό το προϊόν είναι επικίνδυνο. Μπορεί να προκληθεί τραυματισμός ή θάνατος του χειριστή ή των παρευρισκόμενων αν το προϊόν δεν χρησιμοποιείται προσεκτικά και σωστά. Για να αποτραπεί ο τραυματισμός του χειριστή ή των παρευρισκόμενων, διαβάστε και τηρείτε όλες τις οδηγίες ασφαλείας που αναφέρονται στο εγχειρίδιο χρήσης. Προτού χρησιμοποιήσετε το προϊόν, διαβάστε το εγχειρίδιο χρήσης προσεκτικά και βεβαιωθείτε ότι έχετε κατανοήσει τις οδηγίες.



Χρησιμοποιείτε ένα κράνος προστασίας σε σημεία όπου μπορεί να πέσουν αντικείμενα επάνω σας. Πρέπει να χρησιμοποιείτε εγκεκριμένα προστατευτικά ακοής. Πρέπει να χρησιμοποιείτε εγκεκριμένα μέσα προστασίας των ματιών.



Πρέπει να χρησιμοποιείτε εγκεκριμένα προστατευτικά γάντια.



Το προϊόν συμμορφώνεται με τις ισχύουσες οδηγίες ΕΚ.



Ονομαστική τάση, V



Συνεχές ρεύμα.



Αποφύγετε την έκθεση στη βροχή.



Διατηρήστε τα χέρια σας μακριά από τη λεπίδα.



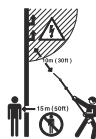
Τηλεσκοπική λειτουργία.



Λειτουργία διαιρέσεως.



Περιστρέψτε τη χειρόβιδα προς τα αριστερά για να την χαλαρώσετε και προς τα δεξιά για να την σφίξετε.



Αυτό το προϊόν δεν διαθέτει μόνωση. Εάν το προϊόν ακουμπήσει ή πλησιάσει σε ηλεκτρικές γραμμές υψηλής τάσης, μπορεί να προκληθεί θάνατος ή σοβαρός τραυματισμός. Το ρεύμα μπορεί να "μεταπηδήσει" από ένα σημείο σε άλλα σημεία με τη δημιουργία ηλεκτρικού τόξου. Όσο υψηλότερη είναι η τάση τόσο μεγαλύτερη είναι η απόσταση που μπορεί να μεταπηδήσει το ρεύμα. Το ρεύμα μπορεί επίσης να περάσει μέσα από κλαδιά ή άλλα αντικείμενα, ειδικά όταν είναι βρεγμένα. Διατηρείτε πάντα απόσταση τουλάχιστον 10 m ανάμεσα στο προϊόν και σε ηλεκτρικές γραμμές υψηλής τάσης ή/και όλα τα αντικείμενα που ακουμπούν σε αυτές. Εάν πρέπει να εργαστείτε εντός αυτής της απόστασης ασφαλείας πρέπει πάντα να επικοινωνείτε με την αντίστοιχη επιχείρηση ηλεκτρισμού για να βεβαιωθείτε ότι έχει απενεργοποιηθεί η τροφοδοσία προτού ξεκινήσετε την εργασία σας. Διατηρήστε απόσταση τουλάχιστον 15 μέτρων από άλλα άτομα και ζώα κατά τη διάρκεια της λειτουργίας.

yyyywwxxxx

Η πινακίδα στοιχείων δείχνει τον αριθμό σειράς. Το **yyyy** είναι το έτος παραγωγής, το **ww** είναι η εβδομάδα παραγωγής.

**Περιεχόμενα** Άλλα σύμβολα/σήματα που υπάρχουν στο προϊόν αναφέρονται σε απαιτήσεις πιστοποίησης για ορισμένες αγορές.

## Σύμβολα στην μπαταρία ή/και στο φορτιστή της μπαταρίας



Ανακυκλώστε αυτό το προϊόν σε κέντρο ανακύκλωσης ηλεκτρικού και ηλεκτρονικού εξοπλισμού. (Ισχύει μόνο για την Ευρώπη)



Μετασχηματιστής εξασφαλισμένης λειτουργίας σε περίπτωση βλάβης.



Χρησιμοποιείτε και φυλάσσετε το φορτιστή μπαταρίας μόνο σε εσωτερικούς χώρους.



Διπλή μόνωση.

## Ευθύνη προϊόντος

Όπως αναφέρεται στη νομοθεσία περί ευθύνης για τα προϊόντα, δεν φέρουμε καμία ευθύνη για ζημιές που οφείλονται στο προϊόν μας εάν:

- Το προϊόν έχει επισκευαστεί λανθασμένα.
- Το προϊόν έχει επισκευαστεί με εξαρτήματα που δεν προέρχονται από τον κατασκευαστή ή που δεν έχουν εγκριθεί από τον κατασκευαστή.
- Το προϊόν διαθέτει ένα αξεσουάρ που δεν προέρχεται από τον κατασκευαστή ή που δεν έχει εγκριθεί από τον κατασκευαστή.
- Το προϊόν δεν έχει επισκευαστεί σε εγκεκριμένο κέντρο σέρβις ή από εγκεκριμένη αρχή.

## Ασφάλεια

### Ορισμοί για την ασφάλεια

Για την επισήμανση ειδικών σημαντικών τμημάτων του εγχειριδίου χρησιμοποιούνται προειδοποιήσεις, συστάσεις προσοχής και σημειώσεις.



**ΠΡΟΕΙΔΟΠΟΙΗΣΗ:** Χρησιμοποιείται όταν υπάρχει κίνδυνος τραυματισμού ή θανάτου του χειριστή ή άλλων παριστάμενων ατόμων, αν δεν τηρηθούν οι οδηγίες που παρέχονται στο εγχειρίδιο.



**ΠΡΟΣΟΧΗ:** Χρησιμοποιείται όταν υπάρχει κίνδυνος πρόκλησης ζημιάς στο προϊόν, σε άλλα υλικά ή στον παρακείμενο χώρο, αν δεν τηρηθούν οι οδηγίες που παρέχονται στο εγχειρίδιο.

**Περιεχόμενα** Χρησιμοποιείται για παροχή περισσότερων πληροφοριών, οι οποίες χρειάζονται σε μια δεδομένη κατάσταση.

### Γενικές προειδοποιήσεις ασφαλείας ηλεκτρικού εργαλείου



**ΠΡΟΕΙΔΟΠΟΙΗΣΗ:** Διαβάστε όλες τις προειδοποιήσεις ασφαλείας και όλες τις οδηγίες. Η μη τήρηση των προειδοποιήσεων και των οδηγιών μπορεί να προκαλέσει ηλεκτροπληξία, πυρκαγιά ή/και σοβαρό τραυματισμό.

**Περιεχόμενα** Φυλάσσετε τις προειδοποιήσεις και τις οδηγίες ώστε να ανατρέχετε αργότερα σε αυτές. Ο όρος "ηλεκτρικό εργαλείο" που χρησιμοποιείται στις προειδοποιήσεις αναφέρεται στο εργαλείο που τροφοδοτείται από το δίκτυο ρεύματος (με καλώδιο) ή στο εργαλείο που τροφοδοτείται από μπαταρία (χωρίς καλώδιο).

### Ασφάλεια στο χώρο εργασίας

- **Διατηρείτε το χώρο εργασίας καθαρό και με καλό φωτισμό.** Οι ακατάστατοι ή σκοτεινοί χώροι ενέχουν τον κίνδυνο ατυχημάτων.
- **Μην χειρίζεστε ηλεκτρικά εργαλεία σε εκρηκτικές ατμόσφαιρες, π.χ. παρουσία εύφλεκτων υγρών, αερίων ή σωματιδίων σκόνης.** Τα ηλεκτρικά εργαλεία δημιουργούν σπινθήρες, οι οποίοι ενδέχεται να προκαλέσουν την ανάφλεξη των σωματιδίων ή των καπνών.
- **Κατά το χειρισμό ενός ηλεκτρικού εργαλείου, δεν πρέπει να βρίσκονται κοντά παιδιά ή άλλοι παρευρισκόμενοι.** Ενδέχεται να αποσπάσουν την προσοχή σας, με αποτέλεσμα να χάσετε τον έλεγχο.

### Ασφάλεια με το ηλεκτρικό ρεύμα

- **Το βύσμα του ηλεκτρικού εργαλείου πρέπει να ταιριάζει στην πρίζα. Μην τροποποιείτε ποτέ το βύσμα. Μην χρησιμοποιείτε προσαρμογείς με γειωμένα ηλεκτρικά εργαλεία.** Η χρήση μη τροποποιημένων φις και αντίστοιχων πριζών μειώνει τον κίνδυνο ηλεκτροπληξίας.
- **Αποφεύγετε την επαφή του σώματος με γειωμένες επιφάνειες, όπως σωλήνες, καλοριφέρ, κουζίνες και ψυγεία.** Υπάρχει αυξημένος κίνδυνος ηλεκτροπληξίας, αν το σώμα σας έρθει σε επαφή με τη γείωση.
- **Μην εκθέτετε ηλεκτρικά εργαλεία σε βροχή ή σε συνθήκες υγρασίας.** Σε περίπτωση εισχώρησης νερού σε ηλεκτρικό εργαλείο, αυξάνεται ο κίνδυνος ηλεκτροπληξίας.
- **Μην προκαλείτε φθορά στο καλώδιο. Μην χρησιμοποιείτε ποτέ το καλώδιο για τη μεταφορά, το τράβηγμα ή την αποσύνδεση του ηλεκτρικού εργαλείου. Φυλάσσετε το καλώδιο μακριά από θερμότητα, λάδια, αιχμηρές άκρες ή κινούμενα εξαρτήματα.** Εάν το καλώδιο καταστραφεί ή εμπλακεί, αυξάνεται ο κίνδυνος ηλεκτροπληξίας.
- **Όταν χρησιμοποιείτε ένα ηλεκτρικό εργαλείο σε εξωτερικό χώρο, χρησιμοποιήστε ένα καλώδιο προέκτασης που είναι κατάλληλο για χρήση σε**

**εξωτερικό χώρο.** Η χρήση καλωδίων κατάλληλων για εξωτερικό χώρο μειώνει τον κίνδυνο ηλεκτροπληξίας.

- **Αν η χρήση ενός ηλεκτρικού εργαλείου σε χώρο με υγρασία είναι αναπόφευκτη, χρησιμοποιήστε παροχή ρεύματος με διάταξη προστασίας από ρεύματα διαρροής (RCD).** Η χρήση μιας διάταξης RCD μειώνει τον κίνδυνο ηλεκτροπληξίας.

## Προσωπική ασφάλεια

- **Να είστε προσεκτικοί, να παρακολουθείτε αυτό που κάνετε και να χρησιμοποιείτε την κοινή λογική όταν χρησιμοποιείτε ένα ηλεκτρικό εργαλείο. Μην χρησιμοποιείτε ηλεκτρικά εργαλεία όταν είστε κουρασμένοι ή υπό την επήρεια ναρκωτικών, αλκοόλ ή φαρμάκων.** Μια στιγμή απροσεξίας, κατά το χειρισμό ηλεκτρικών εργαλείων, μπορεί να οδηγήσει σε σοβαρό τραυματισμό.
- **Χρησιμοποιείτε ατομικό προστατευτικό εξοπλισμό. Φοράτε πάντοτε προστατευτικά γυαλιά.** Ο εξοπλισμός προστασίας, όπως προστατευτική μάσκα αναπνοής, αντιολισθητικά παπούτσια ασφαλείας, κράνος ή προστατευτικά ακούς σε κατάλληλες συνθήκες, μειώνει τον κίνδυνο τραυματισμών.
- **Φροντίστε ώστε να μην είναι εφικτή η ακούσια εκκίνηση. Βεβαιωθείτε ότι ο διακόπτης βρίσκεται στη θέση OFF προτού συνδέσετε το εργαλείο στην πηγή τροφοδοσίας ή/και στην μπαταρία και προτού πάστετε ή μεταφέρετε το εργαλείο.** Η μεταφορά των ηλεκτρικών εργαλείων, ενώ έχετε το χέρι σας στο διακόπτη ή η σύνδεση σε πρίζα των ηλεκτρικών εργαλείων με διακόπτη ενέχει τον κίνδυνο ατυχήματος.
- **Αφαιρέστε τυχόν κλειδιά προσαρμογής ή σύσφιξης, πριν ενεργοποιήσετε το ηλεκτρικό εργαλείο.** Ένα κλειδί σύσφιξης ή προσαρμογής που παραμένει προσαρτημένο σε κινούμενο μέρος του ηλεκτρικού εργαλείου μπορεί να οδηγήσει σε τραυματισμό.
- **Μην υπερεκτιμάτε τις δυνατότητές σας. Να πατάτε καλά τα πόδια σας και να διατηρείτε την ισορροπία σας συνέχεια.** Έτσι επιτυγχάνεται καλύτερος έλεγχος του ηλεκτρικού εργαλείου, σε τυχόν απρόβλεπτες καταστάσεις.
- **Φοράτε κατάλληλα ρούχα. Μην φοράτε φαρδιά ρούχα ή κοσμήματα. Φροντίστε τα μαλλιά και τα ρούχα σας να βρίσκονται σε απόσταση από τα κινούμενα εξαρτήματα.** Τα φαρδιά ρούχα, τα κοσμήματα ή τα μακριά μαλλιά ενδέχεται να πισταθούν σε κινούμενα μέρη.
- **Εάν παρέχονται διατάξεις για τη σύνδεση συστημάτων συλλογής και απομάκρυνσης σκόνης, βεβαιωθείτε ότι αυτές έχουν συνδεθεί και χρησιμοποιούνται σωστά.** Χρησιμοποιείτε σύστημα συλλογής σκόνης για να μειώσετε τους κινδύνους που σχετίζονται με τη σκόνη.
- **Ακόμη και αν χρησιμοποιείτε συχνά και είστε εξοικειωμένοι με τα εργαλεία, μην επαναπαύεστε και μην παραβλέπετε τις αρχές ασφαλείας των εργαλείων.** Μια απρόσεκτη ενέργεια μπορεί να προκαλέσει σοβαρό τραυματισμό σε κλάσμα του δευτερολέπτου.

- Η εκπομπή κραδασμών κατά την πραγματική χρήση του ηλεκτρικού εργαλείου μπορεί να διαφέρει από τη δηλωθείσα συνολική τιμή, ανάλογα με τους τρόπους χρήσης του εργαλείου. Οι χειριστές πρέπει να προσδιορίζουν τα μέτρα ασφαλείας για την προστασία τους που βασίζονται σε εκτίμηση της έκθεσης σε πραγματικές συνθήκες χρήσης (λαμβάνοντας υπόψη όλα τα μέρη του κύκλου λειτουργίας, όπως οι χρόνοι κατά τους οποίους το εργαλείο είναι απενεργοποιημένο και οι χρόνοι λειτουργίας μελαντί , επιπρόσθετα της σκανδάλης).

## Χρήση και φροντίδα των ηλεκτρικών εργαλείων

- **Μην ασκείτε μεγάλη δύναμη στο ηλεκτρικό εργαλείο. Χρησιμοποιείτε το κατάλληλο ηλεκτρικό εργαλείο για την εφαρμογή σας.** Το κατάλληλο ηλεκτρικό εργαλείο θα έχει καλύτερα αποτελέσματα για την εργασία σας και θα είναι ασφαλέστερο, στο βαθμό για τον οποίο είναι σχεδιασμένο.
- **Μην χρησιμοποιείτε το ηλεκτρικό εργαλείο, εάν δεν μπορεί να ενεργοποιηθεί και να απενεργοποιηθεί με το διακόπτη.** Ένα ηλεκτρικό εργαλείο που δεν μπορεί να ελεγχθεί από το διακόπτη είναι επικίνδυνο και πρέπει να επισκευαστεί.
- **Αποσυνδέστε το βύσμα από την πηγή τροφοδοσίας ή/και αφαιρέστε την μπαταρία από το ηλεκτρικό εργαλείο, πριν πραγματοποιήσετε ρυθμίσεις, πριν αλλάξετε εξαρτήματα ή αποθηκεύσετε το εργαλείο.** Αυτά τα προληπτικά μέτρα ασφαλείας μειώνουν τον κίνδυνο ακούσιας εκκίνησης του ηλεκτρικού εργαλείου.
- **Φυλάσσετε τα ηλεκτρικά εργαλεία που βρίσκονται σε αδράνεια, μακριά από παιδιά και μην επιτρέπετε σε άτομα που δεν είναι εξοικειωμένα με αυτά ή με τις οδηγίες να χρησιμοποιούν το ηλεκτρικό εργαλείο.** Τα ηλεκτρικά εργαλεία είναι επικίνδυνα στα χέρια μη εκπαιδευμένων χρηστών.
- **Φροντίστε για τη συντήρηση των ηλεκτρικών εργαλείων. Ελέγχετε για τυχόν μη ευθυγραμμισμένα ή μπλοκαρισμένα κινούμενα μέρη, ρωγμές στα διάφορα μέρη και κάθε άλλη κατάσταση που μπορεί να επηρεάσει τη λειτουργία του ηλεκτρικού εργαλείου. Σε περίπτωση ζημιάς, φροντίστε για την επισκευή του ηλεκτρικού εργαλείου πριν το χρησιμοποιήσετε.** Πολλά ατυχήματα προκαλούνται από ηλεκτρικά εργαλεία που δεν συντηρούνται σωστά.
- **Διατηρείτε τα εργαλεία κοπής αιχμηρά και καθαρά.** Εάν τα εργαλεία κοπής συντηρούνται σωστά, με αιχμηρές άκρες κοπής, είναι λιγότερο πιθανή η εμπλοκή τους και πιο εύκολος ο έλεγχός τους.
- **Χρησιμοποιείτε το ηλεκτρικό εργαλείο, τα εξαρτήματα και τα τρυπάνια σύμφωνα με τις οδηγίες αυτές, λαμβάνοντας υπόψη τις συνθήκες εργασίας και την εργασία που πρέπει να εκτελεστεί.** Η χρήση των ηλεκτρικών εργαλείων για εφαρμογές διαφορετικές από αυτές για τις οποίες προορίζονται μπορεί να οδηγήσει σε επικίνδυνες καταστάσεις.
- **Διατηρήστε τις χειρολαβές και τις επιφάνειες κρατήματος στεγνές και καθαρές, χωρίς λάδια και**

**γράσο.** Οι ολισθηρές λαβές και επιφάνειες κρατήματος δεν επιτρέπουν τον ασφαλή χειρισμό και έλεγχο του εργαλείου σε απρόβλεπτες καταστάσεις.

## Χρήση και φροντίδα εργαλείων μπαταρίας

- **Να επαναφορτίζετε μόνο με το φορτιστή που ορίζεται από τον κατασκευαστή.** Ένας φορτιστής κατάλληλος για έναν τύπο συστοιχίας μπαταριών μπορεί να δημιουργήσει κίνδυνο φωτιάς κατά τη χρήση με άλλη συστοιχία μπαταριών.
- **Χρησιμοποιήστε τα ηλεκτρικά εργαλεία μόνο με τις καθορισμένες συστοιχίες μπαταριών.** Η χρήση οποιασδήποτε άλλης μπαταρίας μπορεί να προκαλέσει κίνδυνο τραυματισμού και πυρκαγιάς.
- **Όταν η μπαταρία δεν χρησιμοποιείται, πρέπει να την φυλάσσετε μακριά από άλλα μεταλλικά αντικείμενα, όπως συνδετήρες, νομίσματα, κλειδιά, καρφιά, βίδες ή άλλα μικρά μεταλλικά αντικείμενα, που μπορεί να προκαλέσουν ένωση των πόλων.** Η βραχυκύκλωση των ακροδεκτών της μπαταρίας μεταξύ τους μπορεί να προκαλέσει εγκαύματα ή πυρκαγιά.
- **Σε περίπτωση ακατάλληλου χειρισμού, μπορεί να εκπληρωθεί υγρό από την μπαταρία. Αποφεύγετε κάθε επαφή. Σε περίπτωση τυχαίας επαφής, ξεπλύνετε με νερό. Εάν το υγρό έρθει σε επαφή με τα μάτια, ζητήστε επίσης ιατρική βοήθεια.** Η εκτόξευση υγρού από την μπαταρία μπορεί να προκαλέσει ερεθισμούς ή εγκαύματα.
- **Μην χρησιμοποιείτε μπαταρίες ή εργαλεία που έχουν υποστεί ζημιά ή μεταποποίηση.** Οι μπαταρίες που έχουν υποστεί ζημιά ή μεταποποίηση μπορεί να παρουσιάσουν απρόβλεπτη συμπεριφορά με αποτέλεσμα να προκληθεί κίνδυνος πυρκαγιάς, έκρηξης ή τραυματισμού.
- **Μην εκθέτετε τις μπαταρίες ή τα εργαλεία σε φωτιά ή υπερβολική θερμοκρασία.** Η έκθεση σε φωτιά ή θερμοκρασίες πάνω από 130 °C/265 °F μπορεί να προκαλέσει έκρηξη.
- **Ακολουθήστε όλες τις οδηγίες φόρτισης και μην φορτίζετε τις μπαταρίες ή τα εργαλεία εκτός του εύρους θερμοκρασίας που προδιαγράφεται στις οδηγίες.** Η φόρτιση με λανθασμένο τρόπο ή σε θερμοκρασίες εκτός του προδιαγραφόμενου εύρους μπορεί να προκαλέσει ζημιά στην μπαταρία και αυξάνει τον κίνδυνο πυρκαγιάς.

## Σέρβις

- **Αναθέστε το σέρβις του ηλεκτρικού σας εργαλείου σε εξειδικευμένο τεχνικό για επισκευή με τη χρήση μόνο πανομοιότυπων ανταλλακτικών.** Έτσι θα διασφαλίζεται η διατήρηση της ασφάλειας του ηλεκτρικού εργαλείου.
- **Μην εκτελείτε εργασίες σέρβις σε κατεστραμμένες μπαταρίες.** Οι εργασίες σέρβις σε μπαταρίες θα πρέπει να εκτελούνται μόνο από τον κατασκευαστή ή από εξουσιοδοτημένα καταστήματα σέρβις.

## Οδηγίες ασφαλείας για μπαρνοντουρωφάλιδο

- **Μην πλησιάζετε κανένα μέλος του σώματός σας στη λεπίδα. Μην αφαιρείτε το υλικό κοπής και μην**

- κρατάτε το υλικό προς κοπή, όταν οι λεπίδες κινούνται.** Οι λεπίδες συνεχίζουν να κινούνται αφότου γυρίσετε τον διακόπτη στη θέση απενεργοποίησης. Μια στιγμιά απροσεξίας, κατά το χειρισμό του μπαρνοντουρωφάλιδο, μπορεί να οδηγήσει σε σοβαρό τραυματισμό.
- **Μεταφέρετε το μπαρνοντουρωφάλιδο από τη χειρολαβή με τη λεπίδα σταματημένη, φροντίζοντας να μην πατήσετε το διακόπτη ισχύος.** Η σωστή μεταφορά του μπαρνοντουρωφάλιδο μειώνει τον κίνδυνο ακούσιας εκκίνησης και ενδεχόμενου τραυματισμού από τις λεπίδες.
- **Κατά τη μεταφορά ή την αποθήκευση του μπαρνοντουρωφάλιδο, πρέπει να τοποθετείτε πάντα το κάλυμμα λεπίδας.** Ο σωστός χειρισμός του μπαρνοντουρωφάλιδο μειώνει τον κίνδυνο τραυματισμού από τις λεπίδες.
- **Όταν απομακρύνετε υλικά που μπλοκάρουν τη λειτουργία ή όταν συντηρείτε τη μονάδα, βεβαιωθείτε ότι όλοι οι διακόπτες ισχύος είναι σβηστοί και το καλώδιο παροχής ρεύματος αποσυνδεδεμένο.** Η μη αναμενόμενη ενεργοποίηση του μπαρνοντουρωφάλιδο όταν απομακρύνετε υλικά που μπλοκάρουν τη λειτουργία του ή όταν το συντηρείτε μπορεί να οδηγήσει σε σοβαρό τραυματισμό.
- **Κρατάτε το μπαρνοντουρωφάλιδο μόνο από την μονωμένη επιφάνεια λαβής, επειδή η λεπίδα μπορεί να έλθει σε επαφή με κρυμμένη καλωδίωση ή με το δικό της καλώδιο.** Εάν οι λεπίδες έρθουν σε επαφή με ένα καλώδιο "υπό τάση" μπορεί να θάσουν τα εκτεθειμένα μεταλλικά μέρη του μπαρνοντουρωφάλιδο "υπό τάση", και να προκαλέσουν ηλεκτροπληξία στο χειριστή.
- **Κρατήστε όλα τα καλώδια ρεύματος και τα καλώδια μακριά από την περιοχή κοπής.** Τα καλώδια ρεύματος ή τα καλώδια μπορεί να είναι κρυμμένα σε θάμνους και μπορεί να κοπούν κατά λάθος από τη λεπίδα.
- **Μην χρησιμοποιείτε το μπαρνοντουρωφάλιδο σε δυσμενείς καιρικές συνθήκες, ιδιαίτερα όταν υπάρχει κίνδυνος κεραυνού.** Έτσι μειώνεται ο κίνδυνος να σας χτυπήσει κεραυνός.
- **Για να μειώσετε τον κίνδυνο ηλεκτροπληξίας, μην χρησιμοποιείτε ποτέ το μπαρνοντουρωφάλιδο μεγαλύτερης εμβέλειας κοντά σε γραμμές παροχής ηλεκτρικού ρεύματος.** Η επαφή του μηχανήματος με γραμμές παροχής ηλεκτρικού ρεύματος ή η χρήση του κοντά σε αυτές, μπορεί να προκαλέσει σοβαρό τραυματισμό ή ηλεκτροπληξία που οδηγούν σε θάνατο.
- **Χρησιμοποιείτε πάντα και τα δύο χέρια κατά το χειρισμό του μπαρνοντουρωφάλιδο με δυνατότητα προέκτασης.** Κρατάτε το μπαρνοντουρωφάλιδο μεγαλύτερης εμβέλειας με τα δύο χέρια για να αποφύγετε την απώλεια ελέγχου.
- **Χρησιμοποιείτε πάντα μέσα προστασίας της κεφαλής κατά το χειρισμό του μπαρνοντουρωφάλιδο μεγαλύτερης εμβέλειας.** Τα υπολείμματα που πέφτουν μπορεί να οδηγήσουν σε σοβαρό προσωπικό τραυματισμό.

## Γενικές οδηγίες ασφαλείας



**ΠΡΟΕΙΔΟΠΟΙΗΣΗ:** Προτού χρησιμοποιήσετε το προϊόν, διαβάστε τις παρακάτω προειδοποιητικές οδηγίες.

- Αφαιρέστε την μπαταρία για να αποτρέψετε ακούσια εκκίνηση του προϊόντος.
- Αυτό το προϊόν είναι ένα επικίνδυνο εργαλείο εάν δεν είστε προσεκτικοί ή δεν το χρησιμοποιείτε σωστά. Αυτό το προϊόν μπορεί να προκαλέσει σοβαρό τραυματισμό ή θάνατο του χειριστή ή άλλων ατόμων.
- Μην χρησιμοποιείτε το προϊόν εάν τροποποιηθεί από τις αρχικές του προδιαγραφές. Μην αλλάξετε ένα εξάρτημα του προϊόντος χωρίς έγκριση από τον κατασκευαστή. Χρησιμοποιήστε μόνο εξάρτηματα που έχουν εγκριθεί από τον κατασκευαστή. Λόγω της εσφαλμένης συντήρησης μπορεί να προκληθεί τραυματισμός ή θάνατος.
- Ελέγξτε το προϊόν προτού το χρησιμοποιήσετε. Βλ. *Συσκευές ασφαλείας στο προϊόν στη σελίδα 399 και Συντήρηση στη σελίδα 405*. Μην χρησιμοποιείτε ελαττωματικά προϊόντα. Πραγματοποιείτε όλους τους ελέγχους ασφαλείας και τηρείτε τις οδηγίες συντήρησης και σέρβις που αναφέρονται στο παρόν εγχειρίδιο.
- Τα παιδιά πρέπει να εποπτεύονται ώστε να διασφαλιστεί ότι δεν παίζουν με το προϊόν. Μην επιτρέψετε ποτέ σε παιδιά ή άλλα μη εκπαιδευμένα σχετικά με τη χρήση του προϊόντος άτομα να χρησιμοποιούν το μηχάνημα ή/και την μπαταρία ή να πραγματοποιούν εργασίες συντήρησης σε αυτό. Η τοπική νομοθεσία πιθανώς να ορίζει την κατάλληλη ηλικία του χρήστη.
- Να διατηρείτε το προϊόν σε μια κλειδωμένη περιοχή για να αποτρέψετε την πρόσβαση σε παιδιά ή μη εγκεκριμένα άτομα.
- Αποθηκεύστε το προϊόν μακριά από παιδιά.
- Δεν επιτρέπονται, σε καμία περίπτωση, τροποποιήσεις στη σχεδίαση του προϊόντος χωρίς την έγκριση του κατασκευαστή. Πρέπει πάντα να χρησιμοποιείτε γνήσια αξεσουάρ. Η μη εξουσιοδοτημένη εκτέλεση τροποποιήσεων ή/και η χρήση μη γνήσιων αξεσουάρ μπορεί να οδηγήσει σε σοβαρό προσωπικό τραυματισμό ή θάνατο του χειριστή και άλλων ατόμων.

**Περιεχόμενα** Η χρήση μπορεί να ρυθμίζεται από εθνικούς ή τοπικούς κανονισμούς. Οι εκάστοτε κανονισμοί πρέπει να τηρούνται.

## Οδηγίες ασφαλείας για τη λειτουργία



**ΠΡΟΕΙΔΟΠΟΙΗΣΗ:** Προτού χρησιμοποιήσετε το προϊόν, διαβάστε τις παρακάτω προειδοποιητικές οδηγίες.

- Εάν προκύψει μια κατάσταση όπου δεν είστε σίγουροι για το πώς πρέπει να προχωρήσετε, θα πρέπει να ζητήσετε τη συμβουλή ειδικού. Επικοινωνήστε με τον αντιπρόσωπο ή το συνεργείο σας. Αποφεύγετε τις καταστάσεις χρήσης, τις οποίες θεωρείτε πέραν των δυνατοτήτων σας.
- Μην χρησιμοποιείτε ποτέ το προϊόν εάν είστε κουρασμένοι, υπό την επήρεια αλκοόλ ή ναρκωτικών, φαρμακευτικής αγωγής ή άλλων ουσιών που μπορεί να επηρεάσουν την όραση, την εγρήγορση, το συντονισμό ή την κρίση σας.
- Η εργασία με άσχημες καιρικές συνθήκες είναι κουραστική και συχνά επιφέρει πρόσθετο κίνδυνο. Λόγω του πρόσθετου κινδύνου, δεν συνιστάται η χρήση του προϊόντος σε πολύ δυσμενείς καιρικές συνθήκες, π.χ. σε πυκνή ομίχλη, δυνατή βροχή, ισχυρούς ανέμους, έντονο κρύο, όταν υπάρχει κίνδυνος κεραυνόπτωσης κ.λπ.
- Τα ελαττωματικά παρελκόμενα κοπής μπορεί να αυξήσουν τον κίνδυνο ατυχημάτων.
- Μην επιτρέψετε σε παιδιά να χρησιμοποιούν το προϊόν ή να βρίσκονται κοντά σε αυτό. Δεδομένου ότι η εκκίνηση του μηχανήματος γίνεται εύκολα, τα παιδιά μπορούν να το θέσουν σε λειτουργία εάν δεν βρίσκονται υπό συνεχή επίτηρηση. Αυτό μπορεί να οδηγήσει σε σοβαρό προσωπικό τραυματισμό. Αποσυνδέετε πάντα την μπαταρία όταν το μηχάνημα δεν βρίσκεται υπό στενή επίτηρηση.
- Βεβαιωθείτε ότι δεν υπάρχουν άτομα ή ζώα σε απόσταση μικρότερη από 15 μέτρα κατά τη διάρκεια της εργασίας. Όταν εργάζονται πολλοί χειριστές στην ίδια περιοχή, η απόσταση ασφαλείας πρέπει να είναι τουλάχιστον 15 μέτρα. Διαφορετικά υπάρχουν σοβαροί προσωπικοί τραυματισμοί. Εάν πλησιάσει κάποιος, απενεργοποιήστε αμέσως το προϊόν. Μην περιστρέψετε ποτέ το προϊόν προς καμία κατεύθυνση, εάν δεν ελέγξετε πρώτα πίσω σας για να βεβαιωθείτε ότι δεν υπάρχει κανείς εντός της ζώνης ασφαλείας.
- Βεβαιωθείτε ότι άτομα, ζώα ή άλλοι παράγοντες δεν μπορούν να επηρεάσουν τον έλεγχο του προϊόντος και ότι δεν έρχονται σε επαφή με το εξάρτημα κοπής ή με αντικείμενα που εκσφενδονίζονται από το εξάρτημα κοπής. Ωστόσο, μην χρησιμοποιείτε το προϊόν παρά μόνο όταν έχετε τη δυνατότητα να καλέσετε βοήθεια σε περίπτωση ατυχήματος.
- Να επιθεωρείτε πάντα τον χώρο εργασίας. Να απομακρύνετε όλα τα ελεύθερα αντικείμενα, όπως πέτρες, σπασμένα γυαλιά, καρφιά, ατσάλινα σύρματα, σχοινιά κ.λπ. που μπορούν να εκσφενδονιστούν ή να τυλιχτούν γύρω από το εξάρτημα κοπής.
- Βεβαιωθείτε ότι μπορείτε να κινηθείτε και να σταθείτε όρθιοι με ασφάλεια. Ελέγξτε την περιοχή γύρω σας για πιθανά εμπόδια (ρίζες, βράχια, κλαδιά, χαντάκια κ.λπ.) για την περίπτωση που χρειαστεί να μετακινήσετε ξαφνικά. Να είστε ιδιαίτερα προσεκτικοί όταν εργάζεστε σε έδαφος με κλίση.
- Να διατηρείτε καλή ισορροπία και σταθερό πάτημα όλη την ώρα. Μην υπερεκτιμάτε τις δυνατότητές σας.

- Απενεργοποιήστε το προϊόν προτού μετακινηθείτε σε άλλη περιοχή. Τοποθετήστε το προστατευτικό μεταφοράς όταν δεν χρησιμοποιείτε το προϊόν.
- Μην αφήνετε ποτέ το προϊόν στο έδαφος εάν δεν το έχετε απενεργοποιήσει. Μην αφήνετε το προϊόν χωρίς επίβλεψη όταν είναι ενεργοποιημένο.
- Αφαιρέστε την μπαταρία προτού δώσετε το προϊόν σε άλλο άτομο.
- Βεβαιωθείτε ότι τα ρούχα ή τα μέρη του σώματός σας δεν έρχονται σε επαφή με το παρελκόμενο κοπής όταν το προϊόν είναι ενεργοποιημένο.
- Εάν εμπλακεί οποιοδήποτε αντικείμενο στο παρελκόμενο κοπής ενώ χρησιμοποιείτε το προϊόν, σταματήστε και απενεργοποιήστε το προϊόν. Βεβαιωθείτε ότι το παρελκόμενο κοπής έχει σταματήσει εντελώς. Αφαιρέστε την μπαταρία πριν από τον καθαρισμό, την επιθεώρηση ή την επισκευή του προϊόντος ή/και του εξοπλισμού κοπής.
- Φροντίστε τα χέρια και τα πόδια σας να βρίσκονται σε απόσταση από το παρελκόμενο κοπής μέχρι να σταματήσει εντελώς όταν το προϊόν απενεργοποιηθεί.
- Προσέχετε για κομμένα υπολείμματα κλαδιών που μπορεί να εκτιναχθούν κατά την κοπή. Μην κόβετε πολύ κοντά στο έδαφος όπου μπορεί να εκτοξευτούν πέτρες ή άλλα αντικείμενα.
- Να προσέχετε τυχόν αντικείμενα που εκτοξεύονται. Φοράτε πάντα εγκεκριμένο εξοπλισμό για την προστασία των ματιών. Μην σκύβετε ποτέ πάνω από το προστατευτικό του παρελκόμενου κοπής. Υπάρχει κίνδυνος να εκσφενδονιστούν πέτρες, σκουπίδια κ.λπ. στα μάτια σας, προκαλώντας τύφλωση ή σοβαρό τραυματισμό.
- Να επιδεικνύετε ιδιαίτερη προσοχή για τυχόν προειδοποιητικά σήματα ή κραυγές όταν φοράτε τα προστατευτικά ακοής. Βγάζετε πάντα τα προστατευτικά ακοής μόλις σταματήσει το προϊόν.
- Μην εργάζεστε ποτέ σε σκάλα, σκαμνί ή άλλη ανυψωμένη θέση η οποία δεν είναι απόλυτα ασφαλής.
- Το μηχάνημα αυτό παράγει ηλεκτρομαγνητικό πεδίο κατά τη διάρκεια της λειτουργίας. Το πεδίο αυτό, υπό ορισμένες συνθήκες, ενδέχεται να προκαλεί παρεμβολές σε ενεργά ή παθητικά ιατρικά εμφυτεύματα. Προκειμένου να μειωθεί ο κίνδυνος σοβαρού ή θανατηφόρου τραυματισμού, συνιστούμε στα άτομα με ιατρικά εμφυτεύματα να συμβουλευτούν το θεράποντα ιατρό τους και τον κατασκευαστή του ιατρικού εμφυτεύματος, πριν να θέσουν το μηχάνημα σε λειτουργία.
- Να κρατάτε πάντα το προϊόν και με τα δύο χέρια. Να κρατάτε το προϊόν στη δεξιά πλευρά του σώματός σας.
- Σβήνετε πάντα το προϊόν, αφαιρείτε την μπαταρία και διασφαλίζετε ότι ο εξοπλισμός κοπής δεν περιστρέφεται προτού αφαιρέσετε υλικό που έχει τυλιχτεί γύρω από τον άξονα της λεπίδας ή που έχει μαγκωθεί ανάμεσα στον προφυλακτήρα και το παρελκόμενο κοπής.
- Το ηλεκτρομαγνητικό πεδίο που δημιουργείται κατά τη διάρκεια της λειτουργίας μπορεί να προκαλέσει παρεμβολές στα ενεργά ή παθητικά ιατρικά εμφυτεύματα. Τα άτομα με ιατρικά εμφυτεύματα θα πρέπει να συζητήσουν με τον γιατρό και τον κατασκευαστή του ιατρικού εμφυτεύματος πριν ξεκινήσουν να χρησιμοποιούν αυτό το προϊόν.
- Υποστηρίξτε το βάρος του προϊόντος με την εξάρτηση για να διευκολύνετε τη χρήση του.
- Η μακροχρόνια έκθεση στο θόρυβο μπορεί να προκαλέσει μόνιμη βλάβη στην ακοή. Η Husqvarna συνιστά στους χειριστές να χρησιμοποιούν εγκεκριμένα προστατευτικά ακοής.
- Μην χρησιμοποιείτε ποτέ το προϊόν, εάν έχει τροποποιηθεί με οποιονδήποτε τρόπο από τις αρχικές προδιαγραφές του.
- Μην χρησιμοποιείτε ποτέ το προϊόν εάν παρουσιάζει πρόβλημα. Εκτελείτε όλους τους ελέγχους ασφαλείας και πρέπει τις οδηγίες συντήρησης και επισκευής που αναφέρονται στο παρόν εγχειρίδιο. Μερικά μέτρα συντήρησης και επισκευής πρέπει να εκτελούνται από εκπαιδευμένο και ειδικευμένο προσωπικό. Δείτε τις οδηγίες στην ενότητα με τίτλο "Συντήρηση".
- Πραγματοποιήστε γενική επιθεώρηση του προϊόντος πριν από τη χρήση. Ανατρέξτε στο πρόγραμμα συντήρησης.
- Μην επιτρέπετε ποτέ σε άλλα άτομα να χρησιμοποιήσουν το μηχάνημα, αν δεν έχετε προηγουμένως βεβαιωθεί ότι έχουν κατανοήσει το περιεχόμενο του εγχειριδίου χρήσης.
- Ελέγξτε το χώρο εργασίας για ξένα σώματα όπως ηλεκτρικά καλώδια και ζώα, κ.λπ. ή άλλα αντικείμενα τα οποία θα μπορούσαν να προκαλέσουν ζημιά στο κοπτικό εξάρτημα, όπως μεταλλικά αντικείμενα.
- Οι ελαττωματικές λεπίδες μπορεί να αυξήσουν τον κίνδυνο ατυχημάτων.

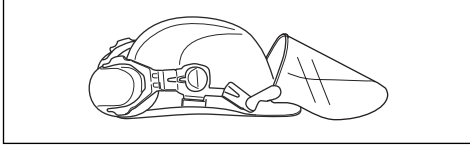
## Προσωπικός εξοπλισμός προστασίας



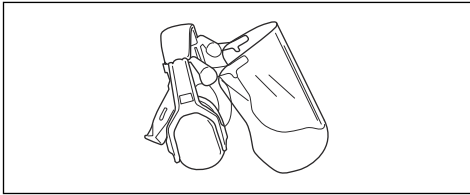
**ΠΡΟΕΙΔΟΠΟΙΗΣΗ:** Προτού χρησιμοποιήσετε το προϊόν, διαβάστε τις παρακάτω προειδοποιητικές οδηγίες.

- Όταν χρησιμοποιείτε το προϊόν, να φοράτε πάντα εγκεκριμένο προσωπικό εξοπλισμό προστασίας. Ο προσωπικός εξοπλισμός προστασίας δεν μπορεί να εξαλείψει τον κίνδυνο τραυματισμών, ωστόσο μειώνει τη σοβαρότητά τους σε περίπτωση ατυχήματος. Ο αντιπρόσωπος θα σας βοηθήσει να επιλέξετε το σωστό εξοπλισμό.

- Να χρησιμοποιείτε κράνος προστασίας στις περιπτώσεις όπου υπάρχει κίνδυνος πτώσης αντικειμένων.

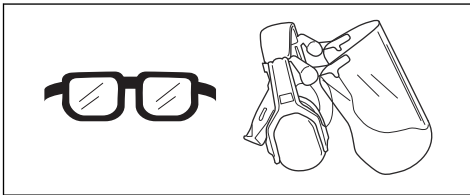


- Η μακροχρόνια έκθεση στο θόρυβο μπορεί να προκαλέσει βλάβη στην ακοή. Κατά κανόνα, τα προϊόντα που λειτουργούν με μπαταρία είναι σχετικά αθόρυβα αλλά μπορεί να προκληθεί βλάβη από τον συνδυασμό επιπέδου θορύβου και μακροχρόνιας χρήσης. Η Husqvarna συνιστά οι χειριστές να χρησιμοποιούν προστατευτικά ακοής όταν χειρίζονται προϊόντα για συνεχές διάστημα της ημέρας. Οι χρήστες που χρησιμοποιούν το προϊόν σε συνεχή και τακτική βάση πρέπει να ελέγχουν τακτικά την ακοή τους.

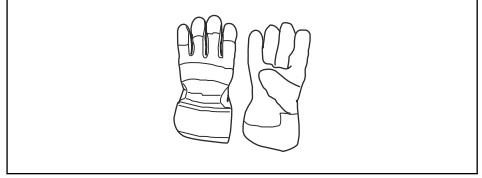


**ΠΡΟΕΙΔΟΠΟΙΗΣΗ:** Τα προστατευτικά ακοής περιορίζουν τη δυνατότητα να ακούτε ήχους και προειδοποιητικά σήματα.

- Πρέπει να χρησιμοποιείτε εγκεκριμένα μέσα προστασίας των ματιών. Εάν χρησιμοποιείτε προστατευτικό γέισο, πρέπει επίσης να χρησιμοποιείτε πάντα εγκεκριμένα προστατευτικά γυαλιά. Τα εγκεκριμένα προστατευτικά γυαλιά πρέπει να συμμορφώνονται με το πρότυπο ANSI Z87.1 στις Η.Π.Α. ή το πρότυπο EN 166 στις χώρες της Ε.Ε.



- Όταν χρειάζεται, να χρησιμοποιείτε γάντια, για παράδειγμα κατά την τοποθέτηση, την επιθεώρηση ή τον καθαρισμό του εξοπλισμού κοπής.



- Να φοράτε ρούχα από ανθεκτικό ύφασμα. Να φοράτε πάντα ανθεκτικό μακρύ παντελόνι και μακριά μανίκια. Να μην φοράτε φαρδιά ρούχα που μπορεί να πιαστούν σε κλωνάρια και κλαδιά. Να μην φοράτε κοσμήματα, κοντά παντελόνια, σανδάλια και να μην είστε ξυπόλυτοι. Να δένετε τα μαλλιά σας με ασφάλεια πάνω από το ύψος των ώμων.
- Να φροντίζετε να υπάρχει εξοπλισμός πρώτων βοηθειών σε κοντινή απόσταση.



### Συσκευές ασφαλείας στο προϊόν



**ΠΡΟΕΙΔΟΠΟΙΗΣΗ:** Προτού χρησιμοποιήσετε το προϊόν, διαβάστε τις παρακάτω προειδοποιητικές οδηγίες.

Σε αυτή την ενότητα περιγράφονται τα χαρακτηριστικά ασφαλείας του προϊόντος, ο σκοπός του καθώς και ο τρόπος διεξαγωγής των ελέγχων και της συντήρησης για τη διασφάλιση της σωστής λειτουργίας του. Διαβάστε τις οδηγίες κάτω από την επικεφαλίδα *Επισκόπηση προϊόντος στη σελίδα 392*, για να μάθετε πού βρίσκονται αυτά τα εξαρτήματα στο προϊόν σας.

Η διάρκεια ζωής του προϊόντος μπορεί να μειωθεί και ο κίνδυνος ατυχημάτων να αυξηθεί, εάν η συντήρηση του προϊόντος δεν πραγματοποιείται σωστά και εάν το σέρβις ή/και οι επισκευές δεν εκτελούνται επαγγελματικά. Εάν χρειαστείτε περισσότερες πληροφορίες, επικοινωνήστε με τον πλησιέστερο αντιπρόσωπο σέρβις.



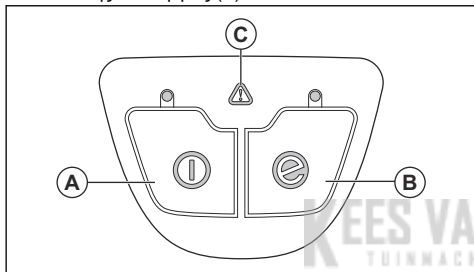
**ΠΡΟΕΙΔΟΠΟΙΗΣΗ:** Μην χρησιμοποιείτε ποτέ ένα προϊόν με ελαττωματικά εξαρτήματα ασφαλείας. Ο εξοπλισμός ασφαλείας του προϊόντος πρέπει να επιθεωρείται και να συντηρείται όπως περιγράφεται σε αυτήν την ενότητα. Εάν το προϊόν αποτύχει σε οποιονδήποτε από αυτούς τους ελέγχους, επικοινωνήστε με τον αντιπρόσωπο σέρβις για την επισκευή του.



**ΠΡΟΣΟΧΗ:** Όλες οι εργασίες σέρβις και επισκευής στο μηχάνημα απαιτούν ειδική εκπαίδευση. Αυτό ισχύει ιδιαίτερα για τον εξοπλισμό ασφαλείας του μηχανήματος. Εάν το μηχάνημά σας αποτύχει σε κάποιον από αυτούς τους ελέγχους που περιγράφονται παρακάτω, επικοινωνήστε με τον αντιπρόσωπο σέρβις. Όταν αγοράζετε οποιοδήποτε από τα προϊόντα μας, σας εγγυόμαστε τη διαθεσιμότητα επαγγελματικών επισκευών και σέρβις. Εάν το κατάστημα λιανικής πώλησης από όπου προμηθευτήκατε το μηχάνημα δεν είναι αντιπρόσωπος σέρβις, ζητήστε από το κατάστημα τη διεύθυνση του πλησιέστερου αντιπροσώπου σέρβις.

### Για να ελέγξετε το πηλητρολόγιο

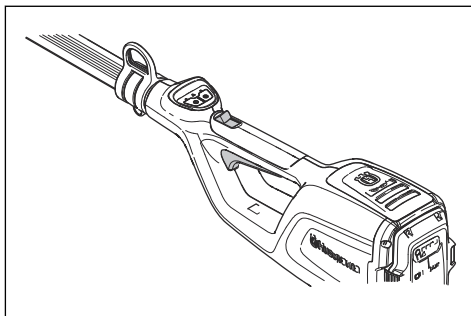
1. Πατήστε παρατεταμένα το κουμπί εκκίνησης/ διακοπής λειτουργίας (A).



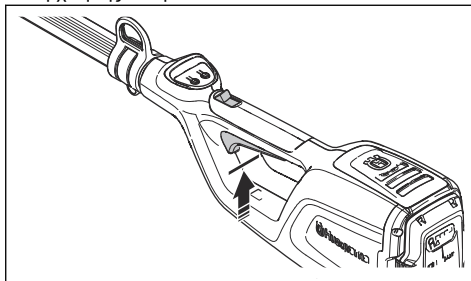
- a) Το προϊόν είναι ενεργοποιημένο, όταν η λυχνία LED είναι αναμμένη.
  - b) Το προϊόν είναι απενεργοποιημένο, όταν η λυχνία LED είναι σβηστή.
2. Αναπρέξτε στην ενότητα *Εκκίνηση της λειτουργίας εξοικονόμησης SavE στη σελίδα 405* για τη λειτουργία του κουμπιού SavE (B).
  3. Αναπρέξτε στην ενότητα *Αντιμέτωπιση προβλημάτων στη σελίδα 407* αν η προειδοποιητική ένδειξη (C) είναι αναμμένη ή αναβοσβήνει.

### Έλεγχος της ασφάλειας της σκανδάλης γκαζιού

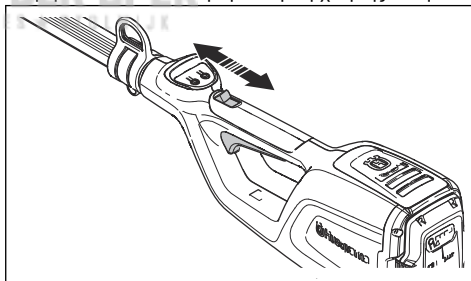
Η ασφάλεια της σκανδάλης γκαζιού αποτρέπει τυχόν ακούσια λειτουργία. Εάν απελευθερώσετε τη χειρολαβή, η σκανδάλη γκαζιού και η ασφάλεια της σκανδάλης γκαζιού επιστρέφουν στην αρχική τους θέση.



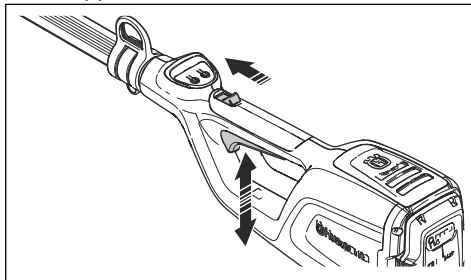
1. Βεβαιωθείτε ότι η σκανδάλη γκαζιού είναι ασφαλισμένη, όταν η ασφάλεια βρίσκεται στην αρχική της θέση.



2. Τραβήξτε και απελευθερώστε την ασφάλεια και βεβαιωθείτε ότι επιστρέφει στην αρχική της θέση.



3. Βεβαιωθείτε ότι η σκανδάλη γκαζιού και η ασφάλεια κινούνται ελεύθερα και ότι το ελατήριο επαναφορής λειτουργεί σωστά.





4. Εκκινήστε το προϊόν, βλ. *Εκκίνηση λειτουργίας του προϊόντος στη σελίδα 404.*
5. Ανοίξτε τέρμα το γκάτζι.
6. Απελευθερώστε τη σκανδάλη γκαζιού και βεβαιωθείτε ότι το παρελκόμενο κοπής σταματά εντελώς.

## Ασφάλεια μπαταρίας



**ΠΡΟΕΙΔΟΠΟΙΗΣΗ:** Προτού χρησιμοποιήσετε το προϊόν, διαβάστε τις παρακάτω προειδοποιητικές οδηγίες.

- Η συνιστώμενη μπαταρία είναι BLi10. Ανατρέξτε στην ενότητα *Τεχνικά στοιχεία στη σελίδα 408.* Οι μπαταρίες διαθέτουν κρυπτογράφηση λογισμικού.
- Χρησιμοποιήστε την επαναφορτιζόμενη μπαταρία BLi10 ως πηγή ρεύματος αποκλειστικά για τα συναφή προϊόντα Husqvarna. Για την αποφυγή τραυματισμών, μην χρησιμοποιείτε την μπαταρία ως πηγή ηλεκτρικής ισχύος για άλλες συσκευές.
- Κίνδυνος ηλεκτροπληξίας. Μην συνδέετε τους ακροδέκτες της μπαταρίας σε κλειδιά, νομίσματα, βίδες ή άλλα μεταλλικά αντικείμενα. Αυτό μπορεί να προκαλέσει βραχυκύκλωμα της μπαταρίας.
- Μην χρησιμοποιείτε μη επαναφορτιζόμενες μπαταρίες.
- Μην τοποθετείτε αντικείμενα μέσα στις εγκοπές αερισμού της μπαταρίας.
- Διατηρείτε την μπαταρία μακριά από την ηλιακή ακτινοβολία, τη θερμότητα ή τις γυμνές φλόγες. Η μπαταρία μπορεί να προκαλέσει εγκαύματα ή/και χημικά εγκαύματα.
- Διατηρείτε την μπαταρία μακριά από συνθήκες βροχής και υγρασίας.
- Διατηρείτε την μπαταρία μακριά από πηγές μικροκυμάτων και υψηλής πίεσης.
- Μην προσπαθήσετε να αποσυναρμολογήσετε ή να διαλύσετε την μπαταρία.
- Αν η μπαταρία εμφανίσει διαρροή, φροντίστε το υγρό να μην έρθει σε επαφή με το δέρμα ή τα μάτια σας. Αν έρθετε σε επαφή με το υγρό, καθαρίστε την περιοχή με άφθονο σαπουνόνερο και ζητήστε ιατρική βοήθεια. Αν έρθει υγρό σε επαφή με τα μάτια σας, μην τα τρίψετε και ξεπλύνετε τα με νερό για τουλάχιστον 15 λεπτά μέχρι να αναζητήσετε ιατρική βοήθεια.
- Χρησιμοποιήστε την μπαταρία σε θερμοκρασίες μεταξύ  $-10^{\circ}\text{C}$  ( $14^{\circ}\text{F}$ ) και  $40^{\circ}\text{C}$  ( $114^{\circ}\text{F}$ ).
- Μην καθαρίζετε την μπαταρία ή το φορτιστή μπαταρίας με νερό. Ανατρέξτε στην ενότητα *Για να καθαρίσετε το προϊόν, την μπαταρία και το φορτιστή της μπαταρίας στη σελίδα 406.*
- Μην χρησιμοποιείτε ελαττωματικές ή κατεστραμμένες μπαταρίες.
- Φυλάσσετε τις μπαταρίες μακριά από μεταλλικά αντικείμενα, όπως καρφιά, νομίσματα και κοσμήματα.
- Φυλάσσετε τις μπαταρίες μακριά από παιδιά.

## Ασφάλεια φορτιστή μπαταρίας



**ΠΡΟΕΙΔΟΠΟΙΗΣΗ:** Προτού χρησιμοποιήσετε το προϊόν, διαβάστε τις παρακάτω προειδοποιητικές οδηγίες.

- Υπάρχει κίνδυνος ηλεκτροπληξίας ή βραχυκυκλώματος εάν δεν τηρηθούν οι οδηγίες ασφαλείας.
- Μην χρησιμοποιείτε άλλους φορτιστές μπαταρίας εκτός από αυτόν που παρέχεται για το προϊόν σας. Ο συνιστώμενος φορτιστής είναι QC80 όταν φορτίζετε την BLi10 μπαταρία.
- Μην επιχειρείτε να αποσυναρμολογήσετε το φορτιστή μπαταρίας.
- Μην χρησιμοποιείτε φορτιστή μπαταρίας που παρουσιάζει ελάττωμα ή έχει υποστεί ζημιά.
- Μην σηκώνετε το φορτιστή μπαταρίας από το καλώδιο ρεύματος. Για να αποσυνδέσετε το φορτιστή της μπαταρίας από την πρίζα, τραβήξτε το βύσμα. Μην τραβάτε το καλώδιο.
- Κρατήστε όλα τα καλώδια και τα καλώδια επέκτασης μακριά από νερό, λάδι και αιχμηρές γωνίες. Βεβαιωθείτε ότι το καλώδιο δεν έχει μαγκώσει σε αντικείμενα όπως π.χ. πόρτες, φράχτες ή παρόμοια σημεία.
- Μην χρησιμοποιείτε το φορτιστή μπαταρίας κοντά σε εύφλεκτα υλικά ή υλικά που μπορούν να προκαλέσουν διάβρωση. Βεβαιωθείτε ότι ο φορτιστής της μπαταρίας δεν είναι καλυμμένος. Σε περίπτωση έκλυσης καπνού ή πυρκαγιάς, βγάλτε το φορτιστή μπαταρίας από την πρίζα.
- Να φορτίζετε την μπαταρία μόνο σε εσωτερικό χώρο σε μια θέση με καλή ροή αέρα και μακριά από ηλιακή ακτινοβολία. Μην φορτίζετε τη μπαταρία σε εξωτερικούς χώρους. Μην φορτίζετε την μπαταρία σε συνθήκες υγρασίας.
- Ο φορτιστής της μπαταρίας πρέπει να χρησιμοποιείται μόνο σε σημεία όπου η θερμοκρασία είναι μεταξύ  $5^{\circ}\text{C}$  ( $41^{\circ}\text{F}$ ) και  $40^{\circ}\text{C}$  ( $104^{\circ}\text{F}$ ). Χρησιμοποιείτε το φορτιστή σε περιβάλλον καλά αεριζόμενο, ξηρό και χωρίς σκόνη.
- Μην τοποθετείτε αντικείμενα μέσα στις εγκοπές αερισμού του φορτιστή της μπαταρίας.
- Μην συνδέετε ποτέ τους ακροδέκτες του φορτιστή της μπαταρίας σε μεταλλικά αντικείμενα γιατί μπορεί να προκύψει βραχυκύκλωμα του φορτιστή.
- Χρησιμοποιείτε εγκεκριμένες πρίζες που δεν έχουν υποστεί ζημιά. Βεβαιωθείτε ότι το καλώδιο και ο φορτιστής της μπαταρίας δεν έχουν υποστεί ζημιά. Εάν χρησιμοποιείτε καλώδια επέκτασης, βεβαιωθείτε ότι δεν έχουν υποστεί ζημιά.

## Οδηγίες ασφαλείας για τη συντήρηση



**ΠΡΟΕΙΔΟΠΟΙΗΣΗ:** Προτού εκτελέσετε εργασίες συντήρησης στο προϊόν, διαβάστε τις παρακάτω προειδοποιητικές οδηγίες.

- Πρέπει να αφαιρέσετε την μπαταρία προτού εκτελέσετε εργασίες συντήρησης, άλλους ελέγχους ή συναρμολόγηση του προϊόντος.
- Ο χειριστής πρέπει να εκτελεί μόνο τις εργασίες συντήρησης και σέρβις που υποδεικνύονται στο παρόν εγχειρίδιο χρήσης. Για πιο εκτεταμένες εργασίες συντήρησης και σέρβις, απευθυνθείτε στον τοπικό αντιπρόσωπο σέρβις.
- Μην καθαρίζετε την μπαταρία ή το φορτιστή μπαταρίας με νερό. Τα δραστικά απορρυπαντικά μπορεί να προκαλέσουν ζημιά στο πλαστικό.
- Εάν δεν κάνετε συντήρηση στο προϊόν, μειώνεται ο κύκλος ζωής του και αυξάνεται ο κίνδυνος ατυχημάτων.
- Απαιτείται ειδική εκπαίδευση για όλες τις εργασίες συντήρησης και επισκευής, ειδικά για τις διατάξεις

- ασφαλείας στο προϊόν. Αν δεν ολοκληρωθούν με επιτυχία όλοι οι έλεγχοι που περιγράφονται στο παρόν εγχειρίδιο χρήσης αφού κάνετε τη συντήρηση, απευθυνθείτε στον τοπικό αντιπρόσωπο σέρβις. Εγγυόμαστε ότι υπάρχει δυνατότητα επαγγελματικής επισκευής και σέρβις για το προϊόν σας.
- Διατηρείτε τα δόντια της λεπίδας σωστά ακονισμένα. Τηρείτε τις συστάσεις του κατασκευαστή. Επίσης, ανατρέξτε στις οδηγίες επάνω στη συσκευασία της λεπίδας.
- Χρησιμοποιείτε πάντα γνήσια ανταλλακτικά.
- Να χρησιμοποιείτε πάντα ανθεκτικά γάντια κατά την επισκευή του παρελκόμενου κοπής. Οι λεπίδες είναι πολύ κοφτερές και μπορεί εύκολα να προκαλέσουν τραυματισμούς.

## Συναρμολόγηση

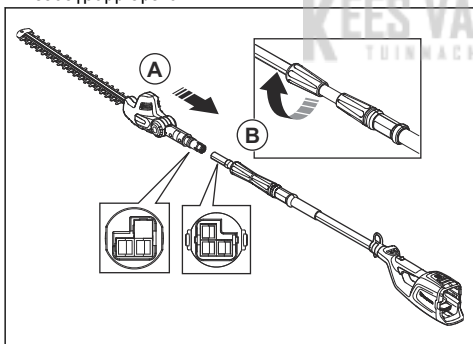
### Εισαγωγή



**ΠΡΟΕΙΔΟΠΟΙΗΣΗ:** Προτού συναρμολογήσετε το προϊόν, διαβάστε και κατανοήστε το κεφάλαιο για την ασφάλεια.

### Συναρμολόγηση του άξονα

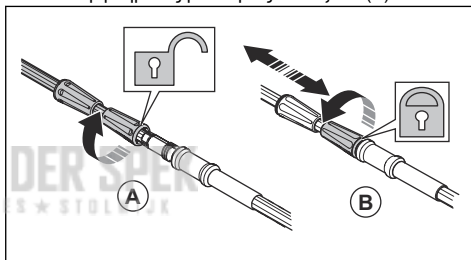
1. Βεβαιωθείτε ότι τα ηλεκτρικά βύσματα είναι ευθυγραμμισμένα.



2. Συνδέστε τα άκρα του άξονα (A) μέχρι τέρμα.
3. Σφίξτε το βιδωτό μέρος της λαβής στην πλευρά της κεφαλής του μορντουροψάλιδου του άξονα (B).

### Ρύθμιση του μήκους του άξονα

1. Χαλαρώστε το βιδωτό μέρος της λαβής στην πλευρά του περιβλήματος μπαταρίας του άξονα (A).



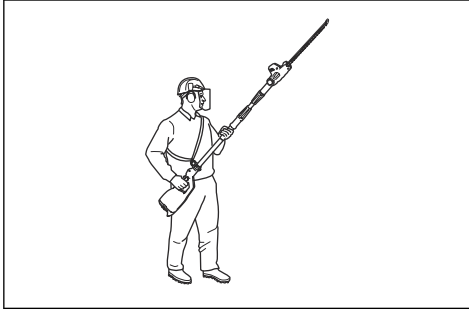
2. Ρυθμίστε τον άξονα σε ένα κατάλληλο μήκος.
3. Σφίξτε το βιδωτό μέρος της λαβής (B).

### Για να ρυθμίσετε την εξάρτηση

Χρησιμοποιείτε πάντα την εξάρτηση όταν χρησιμοποιείτε το προϊόν. Η εξάρτηση εξασφαλίζει βέλτιστο έλεγχο κατά τη λειτουργία του προϊόντος. Η εξάρτηση μειώνει τον κίνδυνο κούρασης που μπορεί να αισθανθείτε στους βραχίονες και την πλάτη.

1. Φορέστε την εξάρτηση.
2. Συνδέστε το προϊόν στο γάντζο στήριξης της εξάρτησης.

3. Ρυθμίστε το μήκος της εξάρτησης μέχρι ο γάντζος στήριξης να βρίσκεται στο ίδιο περίπου επίπεδο με το δεξιό σας ισχίο.



## Λειτουργία

### Εισαγωγή



**ΠΡΟΕΙΔΟΠΟΙΗΣΗ:** Προτού χρησιμοποιήσετε το προϊόν, διαβάστε και κατανοήστε το κεφάλαιο για την ασφάλεια.

### Εργασίες πριν από τον εκκίνηση του προϊόντος

1. Εξετάστε το χώρο εργασίας. Απομακρύνετε αντικείμενα που μπορεί να εκτιναχτούν.
2. Ελέγξτε το παρελκόμενο κοπής. Βεβαιωθείτε ότι οι λεπίδες είναι κοφτερές, δεν έχουν ρωγμές και δεν έχουν υποστεί ζημιά.
3. Βεβαιωθείτε ότι το προϊόν λειτουργεί σωστά. Ελέγξτε ότι όλα τα παξιμάδια και οι βίδες είναι σφιγμένα.
4. Βεβαιωθείτε ότι η λαβή και οι συσκευές ασφαλείας δεν έχουν υποστεί ζημιά και έχουν τοποθετηθεί σωστά. Μην χειρίζεστε το προϊόν εάν λείπουν εξαρτήματα ή αν το προϊόν έχει τροποποιηθεί από τις αρχικές του προδιαγραφές. Χρησιμοποιήστε προστατευτικά γάντια, όταν είναι απαραίτητο.
5. Βεβαιωθείτε ότι τα καλύμματα δεν έχουν υποστεί ζημιά και ότι έχουν τοποθετηθεί σωστά, προτού θέσετε σε λειτουργία το προϊόν.

### Σύνδεση του φορτιστή μπαταρίας

1. Συνδέστε το φορτιστή μπαταρίας σύμφωνα με την τάση και τη συχνότητα που προδιαγράφονται στην πινακίδα στοιχείων.
2. Συνδέστε το φως σε γειωμένη πρίζα. Η ενδεικτική λυχνία LED στον φορτιστή της μπαταρίας θα αναβοσβήσει με πράσινο χρώμα μία φορά.

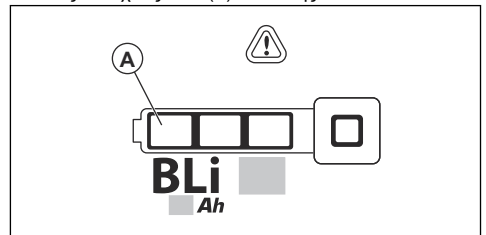
**Περιεχόμενα** Η μπαταρία δεν φορτίζεται αν η θερμοκρασία της είναι πάνω από 50 °C/122 °F. Αν η

θερμοκρασία είναι πάνω από 50 °C/122 °F, ο φορτιστής αφήνει την μπαταρία να κρυώσει προτού φορτίσει.

### Σύνδεση της μπαταρίας στο φορτιστή

**Περιεχόμενα** Φορτίστε την μπαταρία, εάν είναι η πρώτη φορά που τη χρησιμοποιείτε. Μια καινούργια μπαταρία είναι φορτισμένη μόνο κατά 30%.

1. Βεβαιωθείτε ότι η μπαταρία είναι στεγνή.
2. Συνδέστε την μπαταρία στον φορτιστή.
3. Βεβαιωθείτε ότι ανάβει η πράσινη λυχνία φόρτισης στον φορτιστή. Αυτό σημαίνει ότι η μπαταρία είναι απευθείας συνδεδεμένη στο φορτιστή.
4. Η μπαταρία είναι πλήρως φορτισμένη, όταν ανάψουν όλες οι λυχνίες LED (A) πάνω της.



5. Για να αποσυνδέσετε το φορτιστή της μπαταρίας από την πρίζα, τραβήξτε το φως. Μην τραβάτε το καλώδιο.
6. Αφαιρέστε την μπαταρία από το φορτιστή.

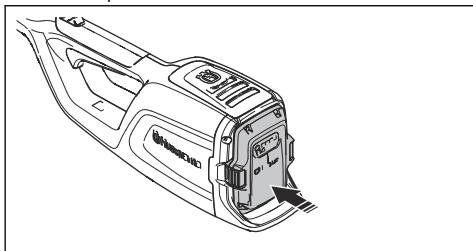
**Περιεχόμενα** Ανατρέξτε στα εγχειρίδια της μπαταρίας και του φορτιστή της μπαταρίας για περισσότερες πληροφορίες.

## Για να συνδέσετε την μπαταρία στο προϊόν



**ΠΡΟΕΙΔΟΠΟΙΗΣΗ:** Στο προϊόν πρέπει να χρησιμοποιείτε μόνο γνήσιες μπαταρίες Husqvarna.

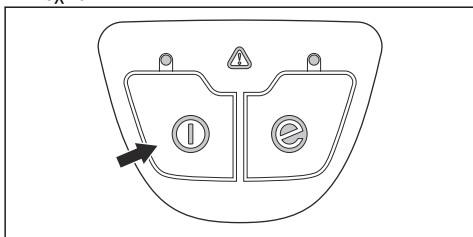
1. Βεβαιωθείτε ότι η μπαταρία είναι πλήρως φορτισμένη.
2. Τοποθετήστε την μπαταρία μέσα στη θήκη της στο προϊόν. Η μπαταρία πρέπει να μετακινείται εύκολα μέσα στη θήκη της. Διαφορετικά, δεν έχει τοποθετηθεί σωστά.



3. Σπρώξτε το κάτω μέρος της μπαταρίας και πιέστε την τέρμα μέσα στην θήκη της. Όταν η μπαταρία ασφαλίσει στη θέση της, ακούγεται ένα χαρακτηριστικό "κλικ".
4. Βεβαιωθείτε ότι τα μάνδαλα έχουν ασφαλίσει σωστά στη θέση τους.

## Εκκίνηση λειτουργίας του προϊόντος

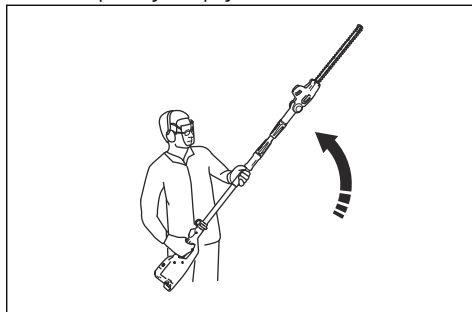
1. Πατήστε παρατεταμένα το κουμπί εκκίνησης/ διακοπής λειτουργίας μέχρι να ανάψει η πράσινη λυχνία LED.



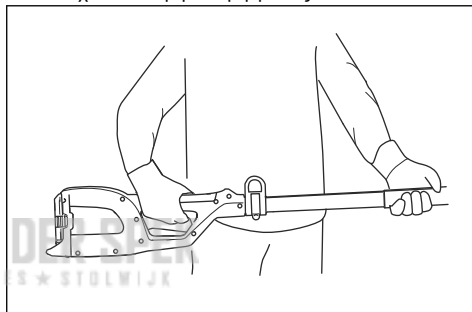
2. Πατήστε την ασφάλεια της σκανδάλης γκαζιού προς τα πίσω και κρατήστε τη σκανδάλη γκαζιού.

## Λειτουργία του προϊόντος

- Ξεκινήστε κοντά στο έδαφος και μετακινήστε το προϊόν προς τα πάνω κατά μήκος της μπορντούρας όταν κόβετε τις πλευρές.



- Κρατήστε το προϊόν κοντά στο σώμα σας για να επιτύχετε σταθερή θέση εργασίας.

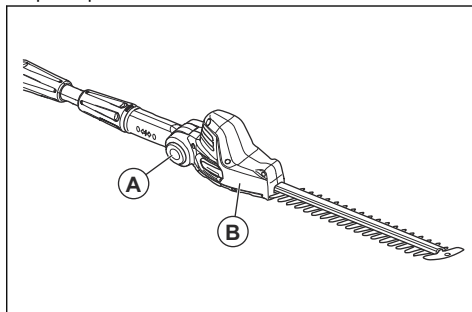


- Βεβαιωθείτε ότι το άκρο του εξοπλισμού κοπής δεν αγγίζει το έδαφος.
- Να είστε προσεκτικοί και να εργάζεστε αργά έως ότου όλα τα κλαδιά κοπούν σωστά.

## Ρύθμιση της γωνίας του παρελκόμενου κοπής

Το παρελκόμενο κοπής μπορεί να ρυθμιστεί σε 7 διαφορετικές θέσεις.

1. Απενεργοποιήστε το προϊόν και αφαιρέστε την μπαταρία.



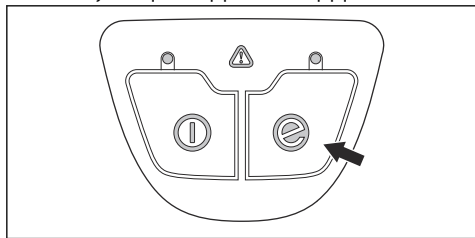
2. Κρατήστε καλά το περιβλήμα (B).

3. Πατήστε παρατεταμένα τα κουμπιά ασφάλισης (A) στις 2 πλευρές του περιβλήματος (B).
4. Μετακινήστε το παρεκκόμενο κοπής στη σωστή γωνία.
5. Απελευθερώστε τα κουμπιά ασφάλισης (A) στις 2 πλευρές.
6. Μετακινήστε το περίβλημα (B) προς τα πάνω και προς τα κάτω μέχρι το παρεκκόμενο κοπής να ασφαλίσει στη θέση του.

## Εκκίνηση της λειτουργίας εξοικονόμησης SavE

Το προϊόν διαθέτει λειτουργία εξοικονόμησης ενέργειας SavE. Η λειτουργία SavE παρέχει το μεγαλύτερο χρόνο λειτουργίας από την μπαταρία.

1. Πατήστε το κουμπί της λειτουργίας εξοικονόμησης ενέργειας SavE. Η λυχνία LED ανάβει για να υποδείξει ότι η λειτουργία είναι ενεργή.



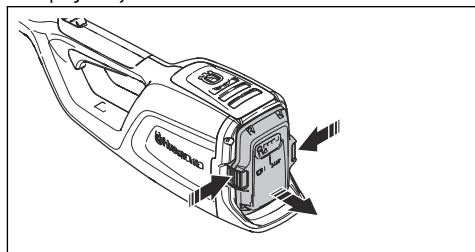
2. Πατήστε ξανά το κουμπί εξοικονόμησης SavE για να διακόψετε τη λειτουργία SavE.

## Λειτουργία αυτόματου τερματισμού

Το προϊόν διαθέτει λειτουργία αυτόματης απενεργοποίησης με την οποία το προϊόν σταματά όταν δεν χρησιμοποιείται. Η πράσινη λυχνία LED εκκίνησης/ διακοπής λειτουργίας σβήνει και το προϊόν σταματά να λειτουργεί μετά από 60 δευτερόλεπτα.

## Διακοπή λειτουργίας του προϊόντος

1. Αφήστε τη σκανδάλη γκαζιού.
2. Πατήστε παρατεταμένα το κουμπί εκκίνησης/ διακοπής λειτουργίας μέχρι να σβήσει η πράσινη λυχνία LED.
3. Αφαιρέστε την μπαταρία από το προϊόν. Πατήστε τα 2 κουμπιά απασφάλισης και τραβήξτε την μπαταρία προς τα έξω.



## Συντήρηση

### Εισαγωγή



**ΠΡΟΕΙΔΟΠΟΙΗΣΗ:** Προτού εκτελέσετε εργασίες συντήρησης στο προϊόν, διαβάστε και κατανοήστε το κεφάλαιο για την ασφάλεια.



**ΠΡΟΕΙΔΟΠΟΙΗΣΗ:** Προτού εκτελέσετε εργασίες συντήρησης στο προϊόν, αφαιρέστε την μπαταρία.

### Πρόγραμμα συντήρησης

Ακολουθεί μια λίστα με τα βήματα συντήρησης που πρέπει να εκτελείτε στο προϊόν.

Συντήρηση	Πριν από τη χρήση	Κάθε εβδομάδα	Κάθε μήνα
Καθαρίστε τα εξωτερικά μέρη του προϊόντος.	X		
Βεβαιωθείτε ότι ο διακόπτης εκκίνησης/διακοπής λειτουργίας λειτουργεί σωστά και δεν έχει υποστεί ζημιά.	X		
Βεβαιωθείτε ότι η σκανδάλη γκαζιού και η λειτουργία κλειδώματος της σκανδάλης γκαζιού λειτουργούν σωστά από πλευράς ασφάλειας.	X		
Βεβαιωθείτε ότι όλα τα χειριστήρια λειτουργούν και δεν έχουν υποστεί ζημιά.	X		

Συνήρηση	Πριν από τη χρήση	Κάθε εβδομάδα	Κάθε μήνα
Βεβαιωθείτε ότι η λεπίδα και ο προφυλακτήρας του κοπτικού εργαλείου δεν έχουν ρωγμές και δεν έχουν υποστεί ζημιά. Αντικαταστήστε τη λεπίδα ή τον προφυλακτήρα του κοπτικού εργαλείου εάν έχει ρωγμές ή έχει χτυπηθεί.	X		
Αντικαταστήστε το δίσκο του κοπτικού εργαλείου, αν έχει λυγίσει ή έχει υποστεί ζημιά.	X		
Βεβαιωθείτε ότι οι βίδες και τα παξιμάδια είναι σφιγμένα.	X		
Βεβαιωθείτε ότι η μπαταρία δεν έχει υποστεί ζημιά.	X		
Βεβαιωθείτε ότι η μπαταρία είναι φορτισμένη.	X		
Βεβαιωθείτε ότι ο φορτιστής μπαταρίας δεν έχει υποστεί ζημιά.	X		
Βεβαιωθείτε ότι οι βίδες που συγκρατούν τις λεπίδες του κοπτικού εργαλείου μεταξύ τους είναι σωστά σφιγμένες.		X	
Ελέγξτε τις συνδέσεις μεταξύ της μπαταρίας και του προϊόντος. Ελέγξτε τη σύνδεση μεταξύ της μπαταρίας και του φορτιστή μπαταρίας.			X

## Για να ελέγξετε την μπαταρία και το φορτιστή μπαταρίας

1. Ελέγξτε την μπαταρία για ζημιές, για παράδειγμα ρωγμές.
2. Ελέγξτε τον φορτιστή της μπαταρίας για ζημιές, για παράδειγμα ρωγμές.
3. Βεβαιωθείτε ότι το καλώδιο σύνδεσης του φορτιστή της μπαταρίας δεν έχει υποστεί ζημιά και ότι δεν παρουσιάζει ρωγμές.

## Για να καθαρίσετε το προϊόν, την μπαταρία και το φορτιστή της μπαταρίας

1. Πρέπει να καθαρίζετε το προϊόν με στεγνό πανί μετά από κάθε χρήση.
2. Καθαρίστε την μπαταρία και τον φορτιστή της μπαταρίας με ένα στεγνό πανί. Διατηρήστε τις ράβδους οδήγησης της μπαταρίας καθαρές.
3. Βεβαιωθείτε ότι οι πόλοι της μπαταρίας και οι ακροδέκτες του φορτιστή της μπαταρίας είναι καθαροί προτού τοποθετήσετε την μπαταρία μέσα στο φορτιστή ή στο προϊόν.

## Έλεγχος της λεπίδας του κοπτικού εργαλείου

1. Απομακρύνετε από τις λεπίδες του κοπτικού εργαλείου τυχόν ανεπιθύμητα υλικά με ένα αντιδιαβρωτικό καθαριστικό πριν από και μετά τη χρήση του προϊόντος.
2. Ελέγξτε τα άκρα της λεπίδας του κοπτικού εργαλείου για τυχόν ζημιές και παραμόρφωση.

3. Χρησιμοποιήστε μια λίμα για να απομακρύνετε τα ρινίσματα από τη λεπίδα του κοπτικού εργαλείου.
4. Βεβαιωθείτε ότι οι λεπίδες του κοπτικού εργαλείου κινούνται ελεύθερα.

## Καθαρισμός και λίπανση των λεπίδων

1. Απομακρύνετε από τις λεπίδες τυχόν ανεπιθύμητα υλικά πριν από και μετά τη χρήση του προϊόντος.
2. Λιπαίνετε τις λεπίδες πριν από μεγάλα χρονικά διαστήματα αποθήκευσης.

**Περιεχόμενα** Απευθυνθείτε στον αντιπρόσωπο σέρβις της περιοχής σας για περισσότερες πληροφορίες σχετικά με τα συνιστώμενα καθαριστικά και λιπαντικά.

## Λίπανση των γραναζιών

Απλώστε γράσο στο περίβλημα γραναζιών, εφόσον τα γρανάζια έχουν αποσυναρμολογηθεί από εγκεκριμένο αντιπρόσωπο σέρβις.

- Χρησιμοποιήστε ειδικό γράσο Husqvarna. Απευθυνθείτε στον αντιπρόσωπο σέρβις για περισσότερες πληροφορίες σχετικά με το συνιστώμενο γράσο.
- Να χρησιμοποιείτε μια μικρή ποσότητα ειδικού γράσου υψηλής ποιότητας.



**ΠΡΟΣΟΧΗ:** Μην γεμίζετε εντελώς το περίβλημα γραναζιών.

## Αντιμετώπιση προβλημάτων

### Πληκτρολόγιο

Οθόνη LED	Πιθανά σφάλματα	Πιθανές λύσεις
Η λυχνία LED σφάλματος αναβοσβήνει.	Υπερφόρτωση	Το παρελκόμενο κοπής δεν μπορεί να κινηθεί ελεύθερα. Απελευθερώστε το παρελκόμενο κοπής.
Το προϊόν δεν τίθεται σε λειτουργία.	Ρύποι στους συνδέσμους της μπαταρίας.	Καθαρίστε τους συνδέσμους μπαταρίας με πεπιεσμένο αέρα ή μαλακή βούρτσα.
Η λυχνία LED σφάλματος ανάβει με κόκκινο φως.	Πρέπει να πραγματοποιήσετε σέρβις στο προϊόν	Απευθυνθείτε στον αντιπρόσωπο σέρβις.

### Μπαταρία

Οθόνη LED	Πιθανά σφάλματα	Πιθανή ενέργεια
Η πράσινη λυχνία LED αναβοσβήνει.	Χαμηλή τάση μπαταρίας.	Φορτίστε την μπαταρία.
Η λυχνία LED σφάλματος αναβοσβήνει.	Απόκλιση θερμοκρασίας.	Χρησιμοποιήστε την μπαταρία σε θερμοκρασίες μεταξύ -10°C (14°F) και 40°C (104°F).
	Υπερβολική τάση.	Βεβαιωθείτε ότι η τάση δικτύου παροχής είναι ίδια με την τάση που αναγράφεται στην πινακίδα στοιχείων στο προϊόν. Αφαιρέστε την μπαταρία από το φορτιστή.
Η λυχνία LED σφάλματος είναι αναμμένη.	Υπερβολική διαφορά τάσης μεταξύ των στοιχείων της μπαταρίας (1 V).	Απευθυνθείτε στον τοπικό αντιπρόσωπο σέρβις.

### Φορτιστής μπαταρίας

Πρόβλημα	Πιθανά σφάλματα	Πιθανή λύση
Η κόκκινη λυχνία LED σφάλματος αναβοσβήνει.	Απόκλιση θερμοκρασίας.	Χρησιμοποιήστε τον φορτιστή της μπαταρίας σε θερμοκρασίες μεταξύ 5 °C (41 °F) και 40 °C (104 °F).
Η κόκκινη λυχνία LED σφάλματος ανάβει.	Υπερβολική διαφορά τάσης μεταξύ των στοιχείων της μπαταρίας (1 V).	Απευθυνθείτε στον τοπικό αντιπρόσωπο σέρβις.

## Μεταφορά, αποθήκευση και απόρριψη

### Μεταφορά και αποθήκευση

- Οι παρεχόμενες μπαταρίες ιόντων λιθίου πληρούν όλες τις απαιτήσεις της νομοθεσίας περί επικίνδυνων εμπορευμάτων.
- Πρέπει να τηρείτε τις ειδικές απαιτήσεις που αναγράφονται στη συσκευασία και στις ετικέτες σχετικά με την εμπορική μεταφορά. Οι απαιτήσεις αυτές πρέπει επίσης να τηρούνται από οποιοσδήποτε τρίτους και από τους διαμετακομιστές.
- Απευθυνθείτε σε ένα άτομο ειδικά εκπαιδευμένο στα επικίνδυνα υλικά προτού στείλετε το προϊόν. Να τηρείτε όλους τους ισχύοντες εθνικούς κανονισμούς.
- Αν συσκευάσετε την μπαταρία, χρησιμοποιήστε ταινία πάνω στις ακάλυπτες επαφές. Σφηνώστε την μπαταρία μέσα στο πακέτο για να αποτρέψετε τυχόν μετακινήσεις.
- Κατά τη φύλαξη ή τη μεταφορά του προϊόντος πρέπει πάντα να αφαιρείτε την μπαταρία.
- Τοποθετήστε την μπαταρία και τον φορτιστή της μπαταρίας σε χώρο στεγνό και προστατευμένο από την υγρασία και τον παγετό.
- Μην αποθηκεύετε την μπαταρία σε χώρους όπου ενδέχεται να προκληθεί στατικός ηλεκτρισμός. Μην αποθηκεύετε την μπαταρία σε μεταλλικό κουτί.
- Η αποθήκευση της μπαταρίας πρέπει να γίνεται σε σημεία με θερμοκρασία μεταξύ 5 °C /41 °F και 25 °C/77 °F και μακριά από το άμεσο ηλιακό φως.
- Η αποθήκευση του φορτιστή της μπαταρίας πρέπει να γίνεται σε σημεία με θερμοκρασία μεταξύ 5 °C/41 °F και 45 °C/113 °F και μακριά από το άμεσο ηλιακό φως.
- Ο φορτιστής της μπαταρίας πρέπει να χρησιμοποιείται μόνο όταν η θερμοκρασία

περιβάλλοντος είναι μεταξύ 5 °C/41 °F και 40 °C/104 °F.

- Φορτίστε την μπαταρία κατά 30% έως 50% προτού την αποθηκεύσετε για μεγάλο χρονικό διάστημα.
- Η αποθήκευση του φορτιστή της μπαταρίας πρέπει να γίνεται σε χώρο κλειστό και στεγνό.
- Μην αποθηκεύετε την μπαταρία μαζί με τον φορτιστή. Μην επιτρέπετε να αγγίζουν τον εξοπλισμό παιδιά και άλλα μη εγκεκριμένα άτομα. Διατηρείτε τον εξοπλισμό σε χώρο που μπορείτε να κλειδώσετε.
- Προτού αποθηκεύσετε το προϊόν για μεγάλο χρονικό διάστημα, πρέπει να το καθαρίζετε και να εκτελείτε πλήρες σέρβις.
- Για να αποφύγετε τραυματισμούς ή ζημιές στο προϊόν κατά τη μεταφορά και την αποθήκευση, χρησιμοποιήστε το προστατευτικό μεταφοράς.
- Κατά τη μεταφορά, πρέπει να στερεώνετε καλά το προϊόν.

### Απόρριψη της μπαταρίας, του φορτιστή μπαταρίας και του προϊόντος

Τα σύμβολα που υπάρχουν επάνω στο προϊόν ή στη συσκευασία του υποδεικνύουν ότι το προϊόν δεν αποτελεί οικιακό απόρριμμα. Ανακυκλώστε το σε κέντρο ανακύκλωσης ηλεκτρικού και ηλεκτρονικού εξοπλισμού. Με αυτόν τον τρόπο συμβάλλετε στην προστασία του περιβάλλοντος και των ανθρώπων.

Απευθυνθείτε στις τοπικές αρχές, στην υπηρεσία αποκομιδής οικιακών απορριμμάτων ή στον αντιπρόσωπο για περισσότερες πληροφορίες σχετικά με την ανακύκλωση του προϊόντος.

## Τεχνικά στοιχεία

### Τεχνικά στοιχεία

	120ITK4-H
<b>Κινητήρας</b>	
Τύπος κινητήρα	PMDC 36 V
<b>Βάρος</b>	
Βάρος χωρίς μπαταρία, kg	4,6
Βάρος με μπαταρία (βασική μπαταρία BLi10), kg	5,3



	<b>120ITK4-H</b>
<b>Εκπομπές θορύβου<sup>67</sup></b>	
Στάθμη ηχητικής ισχύος, μετρούμενη τιμή dB(A)	91,32
Εγγυημένη στάθμη ηχητικής ισχύος $L_{WA}$ dB(A)	94
<b>Στάθμες θορύβου<sup>68</sup></b>	
Στάθμη ηχητικής πίεσης στα αφτιά του χειριστή, μετρημένη κατά EN 62841-1 και EN 62841-4-2, dB(A)	81,3
<b>Στάθμες κραδασμών<sup>69</sup></b>	
Στάθμες κραδασμών ( $a_{h1}$ ), στις εμπρός/πίσω λαβές, $m/s^2$ Ανατρέξτε στα πρότυπα EN 62841-1 και EN 62841-4-2.	1,223/0,816
<b>Εξοπλισμός κοπής</b>	
Τύπος	Διπλής όψης
Μήκος λεπίδας, mm	500
Ταχύτητα λεπίδας, κοπές/λεπτό, στη λειτουργία SavE	2250
Ταχύτητα λεπίδας, κοπές/λεπτό, εκτός λειτουργίας SavE	2800

## Εγκεκριμένοι φορτιστές μπαταρίας

<b>Φορτιστής μπαταρίας</b>	<b>QC80</b>
Τάση εισόδου, V	100-240
Συχνότητα, Hz	50-60
Ισχύς, W	100
Τάση εξόδου, V DC/A	36/2

## Εγκεκριμένες μπαταρίες προϊόντος

<b>Μπαταρία</b>	<b>BLI10</b>
Τύπος	Ιόντων λιθίου

<sup>67</sup> Οι εκπομπές θορύβου στο περιβάλλον μετρούνται ως ηχητική ισχύς ( $L_{WA}$ ) σε συμμόρφωση με την Οδηγία 2000/14/EK. Η διαφορά μεταξύ της εγγυημένης και της μετρούμενης ηχητικής ισχύος είναι ότι η εγγυημένη ηχητική ισχύς περιλαμβάνει επίσης τη διασπορά στο αποτέλεσμα της μέτρησης και τις αποκλίσεις μεταξύ των διαφορετικών προϊόντων του ίδιου μοντέλου σύμφωνα με την Οδηγία 2000/14/EK.

<sup>68</sup> Η τυπική στατιστική διασπορά για το αντίστοιχο επίπεδο ηχητικής πίεσης είναι μια τυπική απόκλιση της τάξης του 3 dB (A).

<sup>69</sup> Τα καταγεγραμμένα στοιχεία για τη στάθμη κραδασμών έχουν τυπική στατιστική διασπορά (τυπική απόκλιση) της τάξης του 1,5  $m/s^2$ .

Η δηλωθείσα συνολική τιμή κραδασμών μετρήθηκε σύμφωνα με πρότυπη μέθοδο δοκιμής και μπορεί να χρησιμοποιηθεί για τη σύγκριση μεταξύ εργαλείων.

Η δηλωθείσα συνολική τιμή κραδασμών μπορεί να χρησιμοποιηθεί επίσης στην προκαταρκτική αξιολόγηση της έκθεσης.

<b>Μπαταρία</b>	<b>BLi10</b>
Χωρητικότητα μπαταρίας, Ah	Ανατρέξτε στο αυτοκόλλητο ονομαστικής τιμών της μπαταρίας
Ονομαστική τάση, V	36
Βάρος, κιλά	0,7

**KEES VAN DER SPEK**  
TUINMACHINES ★ STOLWIJK

### Δήλωση Συμμόρφωσης ΕΚ

Η **Husqvarna AB**, SE-561 82 Huskvarna, Σουηδία, τηλ.: +46-36-146500, δηλώνει ότι το μορνοτουροψάλιδο με κοντάρι **Husqvarna120ITK4-H** με αριθμούς σειράς έτους κατασκευής 2021 και έπειτα (το έτος αναγράφεται ευκρινώς στην πινακίδα στοιχείων μαζί με τον αριθμό σειράς), συμμορφώνεται με τις απαιτήσεις της ΟΔΗΓΙΑΣ ΤΟΥ ΣΥΜΒΟΥΛΙΟΥ:

- της 17ης Μαΐου 2006 "περί μηχανημάτων" **2006/42/ΕΚ**.
- της 26ης Φεβρουαρίου 2014 "περί ηλεκτρομαγνητικής συμβατότητας" **2014/30/ΕΕ**.
- της 8ης Ιουνίου 2011 σχετικά με τον "περιορισμό της χρήσης συγκεκριμένων επικίνδυνων ουσιών" **2011/65/ΕΕ**.

Εφαρμόστηκαν τα ακόλουθα πρότυπα:

**EN 62841-1:2015, EN 62841-4-2:2019, EN 55014-1:2017+A11, EN 55014-2:2015, CISPR12:2007+A1 2009, EN IEC 63000:2018.**

Η TÜV Rheinland LGA Products GmbH, Tillystrasse 2, D-90431 Nuernberg, Germany έχει διενεργήσει εθελοντικά εξέταση τύπου εκ μέρους της Husqvarna AB. Το πιστοποιητικό έχει τον αριθμό: **AM 50491653 0001**.

Huskvarna 2020-12-30



**KEES VAN DER SPEK**  
TUINMACHINES \* STOLWIJK

Pär Martinsson, Διευθυντής Ανάπτυξης  
(Εξουσιοδοτημένος αντιπρόσωπος της Husqvarna AB και υπεύθυνος για την τεχνική τεκμηρίωση).

## 目次

はじめに.....	412	トラブルシューティング.....	424
安全性.....	414	搬送、保管、廃棄.....	425
組立.....	420	主要諸元.....	426
Operation( 動作 ).....	421	EC 適合宣言.....	428
メンテナンス.....	423		

## はじめに

### 製品の説明

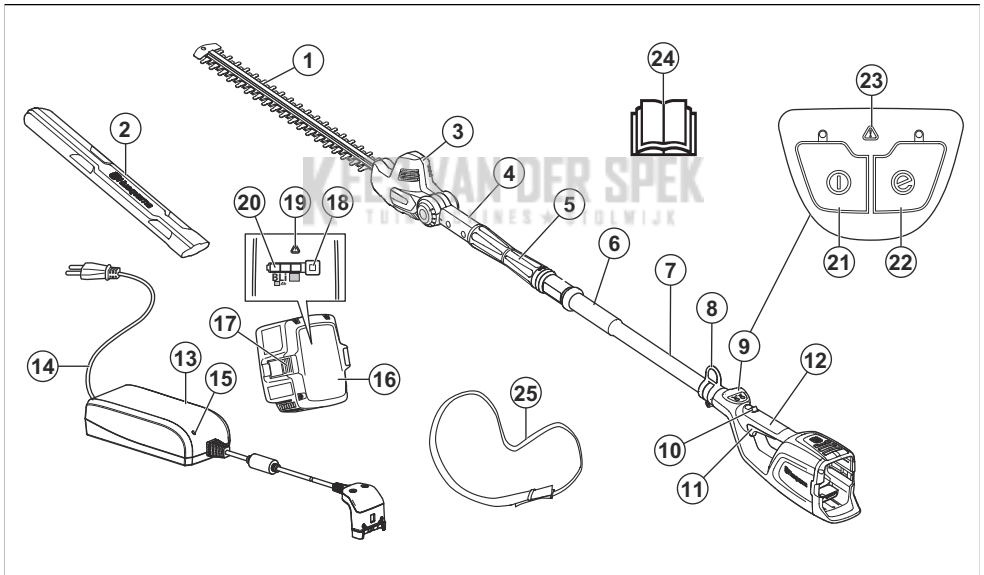
Husqvarna120iTK4-H はバッテリー搭載伸縮式ポールヘッジトリマーです。

弊社では、皆様の安全と作業の効率性を向上させるため、常に製品の改善に力を入れています。詳しくは、サービス代理店までお問い合わせください。

### 製品の概要

### 用途

本製品は、大小の枝を鋸断する機械です。他の作業に本製品を使用しないでください。



- |                |                     |
|----------------|---------------------|
| 1. ブレード        | 11. パワートリガー         |
| 2. 搬送用ガード      | 12. リヤハンドル          |
| 3. ハウジング       | 13. バッテリー充電器        |
| 4. 位置分割ハンドル    | 14. コード             |
| 5. 伸縮機構        | 15. 電源オン / 警告 LED   |
| 6. フロントハンドル    | 16. バッテリー           |
| 7. シャフト        | 17. バッテリーリリースボタン    |
| 8. ハーネスサポートフック | 18. バッテリーインジケータボタン  |
| 9. キーパッド       | 19. 警告 LED          |
| 10. パワートリガーロック | 20. バッテリーインジケータ LED |

- 21. START/STOP ボタン
- 22. SavE ボタン
- 23. 警告 LED
- 24. 取扱説明書
- 25. ハーネス

## 製品に表記されるシンボルマーク



警告！本製品の使用には危険が伴います。不注意な取り扱いや誤った取り扱いは、作業員や周囲の人などの負傷または死亡事故を引き起こすおそれがあります。作業員や周囲の人の負傷を防止するため、本取扱説明書に記載されている安全注意事項をすべて読んで、従ってください。この取扱説明書をよくお読みになり、内容をしっかりと把握したうえで、使用してください。



物が頭上に落下する恐れのある場所では、保護用のヘルメットを使用してください。認可されたイヤマフを使用してください。認可された防護メガネを使用してください。



認可された保護手袋を着用してください。



本製品は EC 指令適合製品です。



定格電圧、V



直流。



雨が当たらないようにしてください。



ブレードに手を触れないでください。



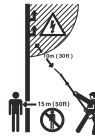
伸縮機構。



分割機構。



左に回すとノブが緩み、右に回すとノブが締まります。



本製品は、絶縁されていません。本製品が高電圧線に接触したり近づいたりすると、重傷あるいは致命傷を負う恐れがあります。電流はアーク放電により地点間をジャンプすることがあります。電圧が高いほど、電流のジャンプ距離は大きくなります。また電流は、特に濡れている場合、枝やその他の物体を通り抜けます。本製品と、高圧線および高圧線に接しているすべての物体の間は必ず 10 m 以上空けてください。この安全距離の内側で作業する必要がある場合は、必ず関係電力会社に連絡して作業前に電力を切るよう依頼してください。作業中は、15 m 以内に人や動物が近づかないようにしてください。

yyyywwxxxx

製造番号は銘板に記載されています。yyyy は製造年、ww は製造された過です。

**注記：** 本製品に付いている他のシンボル / 銘板は、一部の市場地域に向けた認定条件を示します。

## バッテリーやバッテリー充電器のシンボルマーク



電気・電子機器のリサイクル業者にリサイクルを依頼してください。(ヨーロッパにのみ適用)



安全装置付き変圧器。



バッテリー充電器は屋内でのみ使用、保管してください。



二重絶縁。

## 製造物責任

製造物責任法に基づき、当社は、次の場合については本製品を原因とする損傷について責任を負いません。

- 本製品が誤って修理された場合。
- メーカーによるものではない部品、またはメーカーの認可していない部品を使用して本製品を修理した場合。
- メーカーによるものではないアクセサリ、またはメーカーの認可していないアクセサリを本製品に使用した場合。

- 認定サービスセンターまたは認定機関で本製品が修理されていない場合。

## 安全性

### 安全性の定義

警告、注意、注記は、取扱説明書の特に重要な部分を示しています。



**警告：** 取扱説明書の指示に従わない場合、使用者が負傷したり、死亡したりするが、あるいは付近の人に損傷を与える危険があることを意味します。



**注意：** 取扱説明書の指示に従わない場合、製品や他の物品、または隣接するエリアに損傷を与える危険があることを意味します。

**注記：** 特定の状況で必要とされる詳細情報を提供するために使用されます。

### パワーツールの一般的な安全上の警告



**警告：** 警告および指示はすべて読んでください。警告や指示に従わない場合、感電、火災、あるいは深刻な傷害を招くことがあります。

**注記：** すべての警告や説明は、以後の参考のために保管してください。警告の「パワーツール」とは、電源で作動する（コード付）パワーツールまたはバッテリー駆動（コードレス）のパワーツールを指します。

### 作業エリアの安全

- 作業場所を清潔に、照明を明るく保ちます。乱雑な、あるいは暗い場所では、事故が起こりやすくなります。
- 可燃性の液体や気体、塵がある所など、爆発性雰囲気の中でパワーツールを作動させないでください。パワーツールは、塵やガスを発火させる火花を発生させます。
- パワーツールの操作中は子供やそばにいる人たちと十分な距離を置いてください。注意が散漫になると、操作ミスを引き起こす可能性があります。

### 電気保安

- パワーツールのプラグはコンセントに適合しなければなりません。決してプラグを改造しないでください。アダプタプラグをアースの付いた（接地された）パワーツールとともに使用しないでください。改造されていないプラグおよび型の同じコンセントを使用すれば、感電のリスクが低くなります。
- パイプやラジエータ、レンジ、冷蔵庫など、アースの付いた表面または接地された表面に触れないよう

にしてください。体が接地していたりアースされていたりすると、感電のリスクが高くなります。

- パワーツールを雨露や湿潤な環境に曝さないでください。パワーツール内に水が浸入すると、感電のリスクが高まります。
- コードを本来の目的以外に使用しないでください。コードを持ってパワーツールを移動したり、引っ張ったり、電源を抜いたりすることのないようにしてください。熱やオイル、とがった先端や可動部品にコードを近づけないでください。コードが破損したり絡まると、感電のリスクが高くなります。
- 屋外でパワーツールを操作する場合は、屋外での使用に適した延長コードを使用してください。屋外での使用に適したコードを使用することで、感電の危険性は少なくなります。
- 湿気のある場所でパワーツールを操作せざるを得ない場合は、電源を保護するために漏電遮断器（RCD）を使用してください。RCDは感電の危険を低減します。

### 個人の安全

- パワーツールを操作するときは、十分に気をつけて慎重に行動し、常識に従ってください。疲れているときや、医薬品およびアルコールの影響が残っている状態でパワーツールを使用しないでください。パワーツールの操作中は、一瞬の不注意が重大な傷害につながる可能性があります。
- 身体保護具を使用してください。常に眼の保護具を着用してください。防塵マスクや滑り止め用の安全靴、ヘルメット、イヤーマフを使用すると、負傷の危険性が少なくなります。
- 予期せぬ始動を防止します。電源およびバッテリーパックを接続したり、ツールを拾ったり運ぶ前に、必ずスイッチがオフの位置にあることを確認してください。スイッチに指を置いてパワーツールを運んだり、スイッチが入った状態でパワーツールに圧力をかけると、事故につながります。
- パワーツールをオンにする前に、調整キーとレンチを外してください。パワーツールの回転部品にレンチやキーが取り付けられたままになっていると、怪我の原因となります。
- 無理な体勢で作業しないでください。常に、安定した足場とバランスを保つようにしてください。こうすることで、予期しない事態でもパワーツールを安定した状態に保つことができます。
- 適切な服装を心がけてください。ゆったりした衣服や装身具を身につけないでください。可動部品に髪の毛や衣服を近づけないでください。ゆったりした衣服や装身具、長髪は可動部品に絡まるおそれがあります。
- 集塵装置の接続用装備が提供されている場合、それらが接続されて正しく使用されているか確認してください。集塵装置を使用すると、塵に関連する危険を回避できます。

- ・ ツールを頻繁に使用することによる慣れで、安全への関心を失ってツールの安全原則を無視することは非常に危険です。不注意により、一瞬で深刻な事故が発生するおそれがあります。
- ・ パワーツールの使用で発生する実際の振動は、公称合成振動値と異なり、ツールの使用方法に依存します。作業者は、自分自身を保護する目的で、実際の使用状況（ツールの電源をオフにする回数および、トリガー動作やアイドル運転の回数など、運転サイクルのあらゆる部分を考慮）における振動暴露予測を基本にした安全対策を確認する必要があります。

## パワーツールの使用と手入れ

- ・ パワーツールを無理に使用しないでください。用途に合った正しいパワーツールを使用してください。正しいパワーツールを使用した方が、意図された速度でより良く安全に作業を行えます。
- ・ スイッチが機能しない場合はパワーツールを使用しないでください。スイッチで制御できないパワーツールは危険なため、修理する必要があります。
- ・ 調整やアクセサリの変更を行ったり、パワーツールを保管したりする前に、電源プラグを外し、パワーツールからバッテリーパックを取り外してください。予防的な安全対策を行うことで、誤ってパワーツールを始動させる危険性が少なくなります。
- ・ 使用していないパワーツールは子供の手の届かない所に保管して、パワーツールやこの取扱説明書に詳しくない人間がパワーツールを操作しないように注意してください。不慣れたユーザーがパワーツールを扱うと危険です。
- ・ パワーツールのメンテナンスを行ってください。可動部品の誤調整や巻き付き、部品の破損やパワーツールの動作に影響する他の状態がないかどうか確認します。破損している場合は、使用する前にパワーツールを修理してください。ほとんどの事故は、正しいメンテナンスを受けていないパワーツールが原因です。
- ・ 切削工具は研いだ状態で清潔に保ちます。正しくメンテナンスされて研いである切削工具は、バインドすることも少なく、制御が簡単です。
- ・ パワーツール、アクセサリ、工具ビットなどは、これらの取扱説明書に従って使用し、作業条件および行う作業を考慮してください。意図されていない作業でパワーツールを使用すると、危険な状況を招くことがあります。
- ・ ハンドル部および保持面は乾燥させて、オイルや油が付着しないようにきれいな状態を保ってください。ハンドルと保持面が滑りやすいと、予期しない状況でツールの安全な取り扱いや制御ができません。

## バッテリーツールの使用と手入れ

- ・ メーカー指定の充電器のみを使って充電してください。1種類のバッテリーパックのみに適合する充電器は、それ以外のバッテリーパックの充電で使用すると、火災を起こす恐れがあります。
- ・ 仕様で指定されたバッテリーパックのみでパワーツールを使用してください。それ以外のバッテリーパックを使用すると、怪我や火災を招く危険があります。

- ・ バッテリーパックを使用しないときは、ペーパーリップ、コイン、キー、爪ぎり、ネジなどの金物、あるいは端子間を短絡する恐れがある他の小さな金物から遠ざけるようにしてください。バッテリー端子の短絡は、火傷や火災を引き起こす恐れがあります。
- ・ 劣悪な環境では、液体がバッテリーから漏れ出すことがあります。そのような場合、液体には触れないようご注意ください。もし万が一誤って触れてしまった場合、水で洗い流してください。液体が目に入ってしまった場合、医師の診察を受けてください。バッテリーから漏れ出した液体は、炎症や火傷を引き起こすことがあります。
- ・ 故障した、または改造されたバッテリーパックやツールは使用しないでください。故障した、または改造されたバッテリーは、予測不可能な挙動を起こし、発火や破裂、障害の原因となる可能性があります。
- ・ バッテリーパックやツールを火や高温にさらさないでください。火または 130°C (265°F) 以上の温度環境にさらすと爆発する恐れがあります。
- ・ 充電の手順にすべて従い、指示された温度範囲外でバッテリーパックまたはツールを充電しないでください。充電を不適切に行ったり、指定された範囲から外れた温度環境で行ったりした場合、バッテリーの損傷や火災発生危険の増加につながる可能性があります。

## サービス

- ・ パワーツールのサービスは、資格のある修理担当者が同じ交換部品を使って行うようにしてください。こうすることで、パワーツールの安全性を維持できます。
- ・ 損傷したバッテリーパックを決して修理しようとししないでください。バッテリーパックの修理は、製造元または認定サービス代理店しか行えません。

## ヘッジトリマーの安全注意事項

- ・ 体のあらゆる部分を、ブレードから遠ざけてください。ブレードが動いている間は、切断するものを取り払ったり、押さえたりしないでください。スイッチをオフにしてもブレードは回転します。ヘッジトリマーの操作中は、一瞬の不注意が重大な傷害につながる可能性があります。
- ・ ブレードが停止してから、電源スイッチを操作しないように注意して、ヘッジトリマーのハンドルを持って搬送します。ヘッジトリマーを適切に搬送することにより、不注意による始動や、ブレードによる負傷のリスクを軽減できます。
- ・ ヘッジトリマーの輸送や保管を行う際は、ブレードカバーを必ず取り付けてください。ヘッジトリマーを正しく取り扱うことで、カッターブレードによる負傷の可能性が低減します。
- ・ 詰まった物体を取り除くときや本装置を修理するときは、すべての電源スイッチがオフで、電源コードが外れていることを確認してください。詰まった物体を取り除くときや整備作業中に、ヘッジトリマーが予期せず動作すると、重大な負傷につながるおそれがあります。
- ・ 隠れた配線や本製品のコードに接触する可能性があるため、絶縁グリップ面だけを掴んでヘッジトリマ

一を持ってください。ブレードが「通電」している配線に接触することで、ヘッジトリマーの露出している金属部分は「通電」状態となることがあり、作業者が感電する危険性があります。

- すべての電源コードとケーブルを刈払いエリアから離してください。生け垣や藪に隠れた電源コードやケーブルがブレードによって誤って切断される可能性があります。
- 悪天候の場合、特に雷発生の危険がある場合は、ヘッジトリマーを使用しないでください。これは、落雷の危険を避けるためです。
- 感電の危険性を低減するため、電線の近くでは絶対に延長リーチヘッジトリマーを使用しないでください。電線との接触や電線付近での使用により、重傷または感電の危険が起きるおそれがあります。
- 延長リーチヘッジトリマーを操作するときは、必ず両手で操作してください。両手で延長リーチヘッジトリマーを押さえることにより、制御不能になることを防ぐことができます。
- 延長リーチヘッジトリマーを頭上で操作する場合は、必ず頭部保護具を使用してください。破片の落下より、大けがをすることがあります。

## 一般的な安全注意事項



**警告：** 本製品を使用する前に、以下の警告指示をお読みください。

- 本製品が誤って始動しないように、製品を使用しない時はバッテリーを取り外してください。
- 本製品は、慎重かつ適切に使用しないと、危険な道具となります。本製品により、操作者や付近にいる人が重傷を負う、または死亡するおそれがあります。
- 本製品が初期仕様から変更された場合は、本製品を使用しないでください。メーカーからの承認を受けずに本製品の部品を交換しないでください。メーカーが認可した部品のみを使用してください。誤ってメンテナンスすると、負傷または死亡に至る可能性があります。
- 使用前に本製品を点検してください。本製品の安全装置 418 ページおよびメンテナンス 423 ページを参照してください。故障している製品は使用しないでください。この取扱説明書の内容に従って、安全点検、メンテナンス、サービスを行ってください。
- 子供が本製品で遊ばないように、監視する必要があります。子供、または本製品やバッテリーの扱いに不慣れな人が本製品を使用しないようにしてください。居住地の法律によっては、使用者の年齢制限がある場合があります。
- 本製品は鍵のかかる場所に保管して、子供や許可を得ていない人が近づけないようにしてください。
- 本機は子供の手の届かない場所に保管してください。
- いかなる理由であれ、製造者の承認を得ることなく本製品の設計に変更を加えないでください。常に純正の部品をお使いください。不認可の設計変更や付属品は、使用者や付近にいる人の重傷や致命傷の原因となることがあります。

**注記：** 使用には、国や地方の法令により、規制が課せられる場合があります。所定の規制に従ってください。

## 操作のための安全注意事項



**警告：** 本製品を使用する前に、以下の警告指示をお読みください。

- どうしていいかわからない状況になった場合は、専門家に問い合わせてください。販売店またはサービスワークショップに連絡してください。技能的に難しいと思える操作は行わないでください。
- 疲労時や飲酒後、視野・判断力・動作に影響を及ぼすような医薬品を服用したときは、絶対に本製品を使用しないでください。
- 悪天候下での作業は疲れやすく、危険性も高まります。濃霧、豪雨、強風、厳寒、落雷の恐れがあるなど、天候が非常に悪い場合はリスクが高まるため、本製品を使用しないことをお勧めします。
- 故障したカuttingアタッチメントを使用すると、事故の危険性が高まる恐れがあります。
- 本製品を子供に使用させたり、本製品の付近に子供を近づけたりしないでください。本製品は簡単に始動できます。十分に監視していないと、子供が動かしてしまう可能性があります。重大な身体的傷害を引き起こす危険があります。本製品が十分な監視下にない場合は、バッテリーを外してください。
- 作業中は 15 メートル以内に入人や動物が近づかないようにしてください。同じエリアに数人の作業者がいる場合、安全距離を 15 メートル以上とる必要があります。重傷事故のおそれがあります。誰かが近づいたら、すぐに本製品を停止してください。本製品を持って向きを変えるときは、まず後ろを確認して、安全距離内に誰もいないように徹底してください。
- 人、動物、その他の物体が本製品の操作を妨げたり、カuttingアタッチメントに触れたり、カuttingアタッチメントによりはじかれた物体に接触したりしないようにしてください。事故のときに助けを求めることができない状況では、本製品を使用しないでください。
- 作業エリアは必ず点検してください。石や割れたガラス、くぎ、鋼線、ひもなど、移動できる障害物をすべて取り除いてください。はじかれたりカuttingアタッチメントに絡まったりするおそれがあります。
- 身体の動きが自由に取れ、足場が良いことを確認してください。とっさに身をかわさなければならない場合に邪魔になる物（木の根、岩、枝、溝など）が周囲にないか確認してください。斜面で作業する場合は、特に注意してください。
- 常にバランスを保ち、しっかりした足場を確保してください。無理な体勢で作業しないでください。
- 本製品の電源をオフにしてから別のエリアに移動してください。本製品を使用しないときは、カバーを取り付けてください。



- 本製品を置く前に、必ず停止してください。電源を入れた状態で本製品を放置しないでください。
- 本製品を別の人に渡すときは、必ずバッテリーを取り外してください。
- 衣服や体の部分が、作動している状態のカuttingアタッチメントに接触しないようにしてください。
- 本製品の操作中に何かカuttingアタッチメントに挟まった場合は、本製品を停止して、電源をオフにしてください。カuttingアタッチメントが完全に停止していることを確認してください。本製品またはカuttingアタッチメントを清掃、点検、または修理する前に、バッテリーを外してください。
- 本製品の電源をオフにしてカuttingアタッチメントが完全に停止するまで、カuttingアタッチメントに手や脚を近づけないようにしてください。
- 鋸断中に飛んでくる可能性のある枝の切株に注意してください。石やその他の物が飛ばされるおそれがあるため、地面付近で鋸断作業をしないでください。
- 飛んでくる物に気をつけてください。常に認可された防護メガネを着用してください。カuttingアタッチメントガードの上に身を乗り出さないください。石やごみなどが目に入って、失明したり重傷を負ったりする可能性があります。
- イヤマフを着用している間は、警告信号や叫び声に気をつけてください。エンジンが停止したら、速やかにイヤマフを外してください。
- ハシゴ、スツール、その他の不安定な台に乗って作業しないでください。
- 本機では、運転中に電磁場が発生します。この電磁場は、ある条件下でアクティブ、またはパッシブな医療用インプラントに影響を及ぼすことがあります。深刻なまたは致命的危険を避けるため、医療用インプラントを使用している人が本機を操作する前に、主治医およびペースメーカーの製造元に相談することをお勧めします。
- 本製品は常に両手で持ってください。本製品は身体の右側に保持してください。
- ブレードシャフトに巻きついた物体やガードとカuttingアタッチメントの間に挟まった物体を取り除く際は、必ず本製品を停止してバッテリーを取り外し、カutting装置の回転が停止したことを確認してください。
- 操作中に発生する電磁界により、能動的または受動的医療用インプラントが干渉を受ける可能性があります。医療用インプラントを使用している方は、本製品を使用する前に主治医および医療用インプラントの製造元に相談ください。
- ハーネスを使用して製品の重量を支えようと、操作が容易になります。
- 長時間騒音にさらされることは、恒久的な聴覚障害の原因になることがあります。Husqvarnaは認可されたイヤマフの着用を推奨しています。
- 何らかの改造を受け、出荷時の仕様と異なっている製品は、絶対に使用しないでください。
- 本製品に不具合がある場合は絶対に使用しないでください。この取扱説明書の内容に従って、安全点検、メンテナンス、サービスを行ってください。メンテナンスやサービスの内容によっては、専門家でない

ればできないものもあります。詳細は、「メンテナンス」を参照してください。

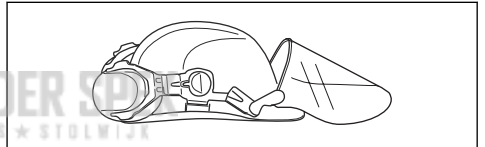
- 使用前に本製品全体の点検を実施してください。メンテナンスのスケジュールに目を通してください。
- 本取扱説明書の内容を読んで、理解していない人には決して本機の使用を許可しないでください。
- 電線や動物、あるいは金属部品などのカuttingアタッチメントに損傷を与える可能性のある異物が作業エリアにないことを確認してください。
- 不具合のあるブレードは、事故の危険性を増加させます。

## 身体保護具

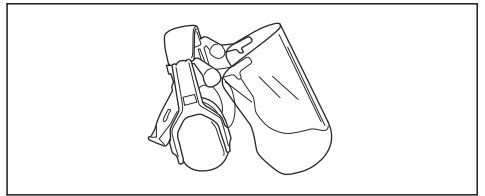


**警告：** 本製品を使用する前に、以下の警告指示をお読みください。

- 本製品を使用するときは、常に、認可された身体保護具を着用してください。身体保護具で怪我を完全に防止できるわけではありませんが、万が一事故が起きた場合、負傷の度合いを軽減することができます。適切な保護具の選択については、販売店にご相談ください。
- 落下物の危険性がある場合には保護ヘルメットを使用してください。



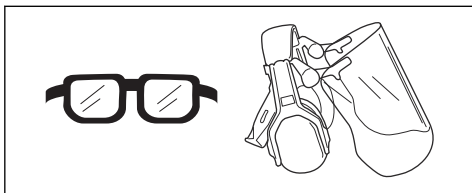
- 長時間騒音にさらされることは、恒久的な聴覚障害の原因になることがあります。一般的に、バッテリー駆動の製品は比較的静かですが、騒音レベルと長時間の使用が重なった場合は損傷が生じることがあります。Husqvarnaでは、1日に連続した長時間本機を使用する場合は、作業者にイヤマフの装着を推奨しています。定期的に継続的に使用する場合は、定期的に聴覚の検査を受ける必要があります。



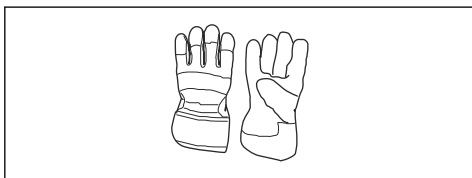
**警告：** イヤマフは、音と警告音の聞き取りを制限します。

- 認可された防護メガネを使用してください。バイザーを使用する場合は、認可された防護ゴーグルも使用する必要があります。認可された防護ゴーグル

は、米国の ANSI Z87.1 規格または EU 諸国の EN 166 に適合したものでなければなりません。



- カutting装置の取り付け、点検、清掃を行う場合は、必要に応じて保護グローブを着用してください。



- 丈夫な素材でできた服を着用してください。常に厚手の長いスボンと長袖を着用してください。小枝や枝が引っかかるようなゆったりした衣服は身につけないでください。宝飾品、半ズボン、サンダルを着用したり、はだして作業したりしないでください。安全のため、髪の毛は肩より上にまとめてください。
- 救急器具を近くに準備してください。



## 本製品の安全装置



**警告：** 本製品を使用する前に、以下の警告指示を読んでください。

この項では、本製品の安全機能とその目的、本機の正しい動作を確保するための検査とメンテナンスの方法について説明します。本製品の部品の位置については、「製品の概要 412 ページ」を参照してください。

本製品のメンテナンスを適切に行わなかったり、専門技術者が整備・修理を行わなかったりすると、本製品の寿命が短くなり、事故発生の危険性が増します。詳しくは、お近くのサービス代理店にお問い合わせください。



**警告：** 安全装置に欠陥のある製品は決して使用しないでください。本項目の記載に従って、本製品の安全装置の点検、メンテナンスを行ってください。お持ちの製品がこれらの点検項目を一点でも満たさない場合

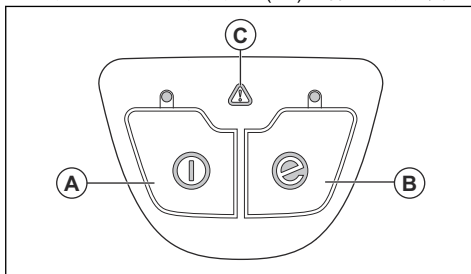
は、お近くのサービス代理店に修理を依頼してください。



**注意：** 本機に関するすべてのサービス、修理には、特別な研修が必須です。本機の安全装置には、特に研修が必要です。本機が下記の検査のいずれかに不合格であったときは、サービス代理店に連絡してください。弊社の製品を購入された場合、専門的な修理とサービスの提供が保証されています。本機を販売した小売店がサービス代理店ではない場合、最寄りのサービス代理店の住所を小売店にお尋ねください。

## キーパッドを点検するには

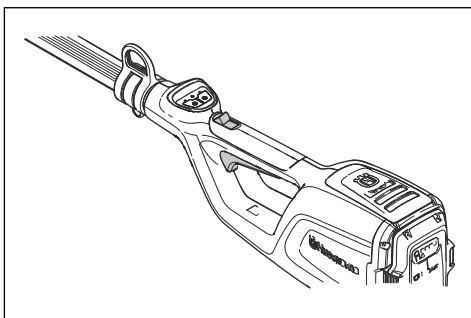
1. スタート / ストップボタン (A) を押し続けます。



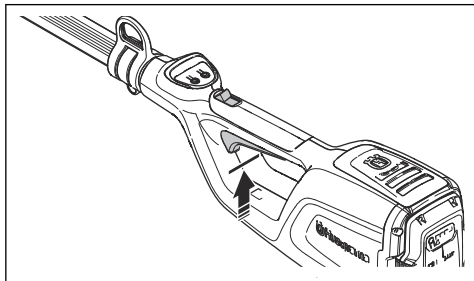
- a) 製品に電源が入っていると LED が点灯します。
  - b) 製品の電源が切れていると LED が消灯します。
2. saveE (セーブイー) ボタン (B) の機能については、*SavE* 機能を有効にする方法 423 ページを参照してください。
  3. 警告インジケータ (C) が点灯または点滅している場合は、トラブルシューティング 424 ページを参照してください。

## パワートリガーロックの点検

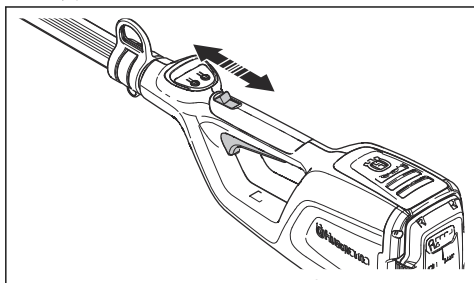
パワートリガーロックにより、偶発的な操作を防ぎます。ハンドルから手を放すと、パワートリガーとパワートリガーロックは元の位置に戻ります。



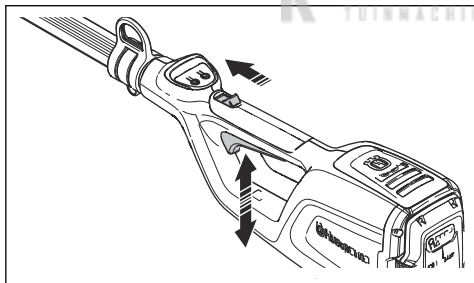
1. ロックが初期位置にあるときにパワートリガーがロックされていることを確認します。



2. ロックを引いて放し、初期位置に戻ることを確認します。



3. パワートリガーとパワートリガーロックがスムーズに動き、リターンズプリングが正しく作動することを確認します。



4. 本製品を始動します。本製品の始動方法 422 ページを参照してください。
5. 最高速度で使用します。
6. パワートリガーを放し、カッピングアタッチメントが完全に停止することを確認します。

## バッテリーの安全



**警告：** 本製品を使用する前に、以下の警告指示をお読みください。

- 推奨されるバッテリーは BLi10 です。主要諸元 426 ページを参照してください。バッテリーはソフトウェアで暗号化されています。

- 関連する BLi10 製品の電源として再充電可能な Husqvarna バッテリーのみを使用してください。負傷を防ぐため、このバッテリーを他の装置の電源として使用しないでください。
- 感電するおそれがあります。バッテリーの端子を鍵や硬貨、ネジや他の金属に接触させないでください。バッテリーが短絡する原因になります。
- 充電式ではないバッテリーは使用しないでください。
- バッテリーのエアスロットに物が入らないようにしてください。
- バッテリーは直射日光や熱、裸火から保護してください。バッテリーによりやけどや化学熱傷を負うおそれがあります。
- バッテリーは雨や湿気から保護してください。
- バッテリーは電子レンジや高圧から保護してください。
- バッテリーを分解もしくは粉碎しないでください。
- バッテリーから漏れが発生した場合、身体や目に液体が触れないようにしてください。液体に触れた場合、大量の水と石鹸を使用して触れた箇所を洗い流して、医療機関に相談してください。液体が目に入った場合、目をこすらずに十分な水で 15 分以上洗い流し、医療機関に相談してください。
- バッテリーは  $-10^{\circ}\text{C}$  ~  $40^{\circ}\text{C}$  の環境で使用してください。
- バッテリーまたはバッテリー充電器は、水で洗淨しないでください。製品、バッテリー、およびバッテリー充電器の清掃方法 424 ページを参照してください。
- 不具合や損傷のあるバッテリーは使用しないでください。
- バッテリーはくぎ、ネジ、または宝飾品などの金属から離して保管してください。
- バッテリーは子供が近づけない場所に保管してください。

## バッテリー充電器の安全性



**警告：** 本製品を使用する前に、以下の警告指示をお読みください。

- 安全注意事項を守らないと、感電や短絡の危険があります。
- 製品の付属品以外のバッテリー充電器は使用しないでください。BLi10 バッテリーの充電に推奨されるバッテリー充電器は QC80 です。
- バッテリー充電器を分解しないでください。
- 故障または破損したバッテリー充電器は使用しないでください。
- 電源コードを持ってバッテリー充電器を持ち上げないでください。主電源ソケットからバッテリー充電器を取り外す際は、プラグを引っ張ってください。電源コードを引っ張らないでください。
- すべてのケーブルと延長コードが、水や油、または尖った物に接触しないようにしてください。ドア、フェンスなどの障害物の間に、ケーブルが挟まっていないことを確認してください。

- 可燃性の物質や、腐食の原因となる物質の近くでは、バッテリー充電器を使用しないでください。バッテリー充電器の上に覆うものが何もないことを確認してください。煙や火災が発生した場合、バッテリー充電器の電源プラグをコンセントから引き抜いてください。
- バッテリーは、通気がよく直射日光が当たらない屋内でのみ充電してください。屋外でバッテリーを充電しないでください。濡れた状態でバッテリーを充電しないでください。
- バッテリー充電器は、温度が 5~40 °C (41~104 °F) の場所だけで使用してください。充電器は、通気がよく、埃がない、乾燥した環境で使用してください。
- バッテリー充電器の冷却スロットに物が入らないようにしてください。
- バッテリー充電器が短絡するため、充電器の端子を金属物体へ接触させないでください。
- 認可された、破損していない壁コンセントを使用してください。バッテリー充電器のコードが破損していないことを確認してください。延長ケーブルを使用している場合は、破損していないことを確認してください。
- メンテナンス、その他の点検、または製品の組み立てを行う前に、バッテリーを取り外してください。
- 作業者は本取扱説明書に記載されているメンテナンスとサービスだけを実施してください。メンテナンスおよびさまざまなサービスについては、サービス代理店にお問い合わせください。
- バッテリーまたはバッテリー充電器は、水で洗浄しないでください。強い洗剤を使用すると、プラスチックの部品が損傷する場合があります。
- メンテナンスを実施しないと、製品の寿命が短くなり、事故の危険性が増します。
- 特に本製品の安全装置については、すべての整備と修理の作業に特殊な訓練が必要です。メンテナンスを実施した後、この取扱説明書の点検項目の中に不合格の項目があった場合は、サービス代理店にお問い合わせください。当社は、お客様の製品のために、プロフェッショナルな修理と整備を提供することを保証します。
- ブレードの歯の目立てを適切に保ってください。ハスクバーナの推奨に従ってください。また、ブレード同梱の使用説明書も参照してください。
- 純正の交換部品のみを使用してください。
- カッティングアタッチメントを修理する際は、常に丈夫な作業用手袋を使用してください。ブレードの刃先は非常に鋭く、触れると怪我をしやすいためご注意ください。

## メンテナンスのための安全注意事項



**警告：** 本製品のメンテナンスを行う前に、以下の警告指示を読んでください。

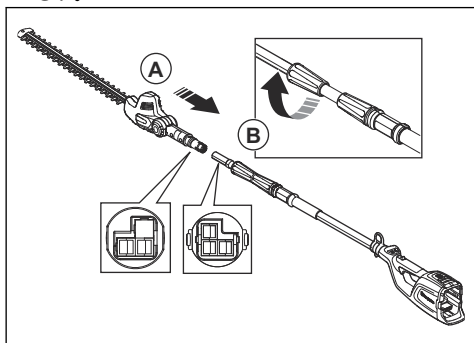
## はじめに



**警告：** 本製品を組み立てる前に、安全に関する章を読んで理解してください。

## シャフトの組み立て方法

- 電気プラグの位置が合っていることを確認してください。

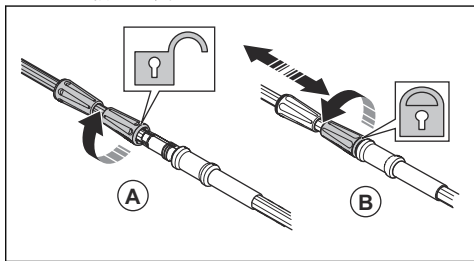


- シャフトの両端をしっかりと接続します (A)。
- シャフト (B) のヘッジトリマーヘッド側のネジハンドルを締め付けます。

## 組立

## シャフトの長さの調整方法

- シャフト (A) のバッテリーハウジング側のネジハンドルを緩めます。



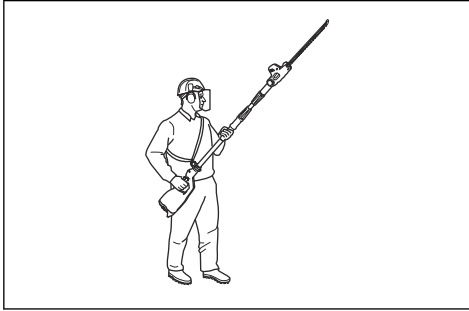
- シャフトが快適な長さになるように調整します。
- ネジハンドル (B) を締め付けます。

## ハーネスの調節方法

本製品を操作するときは、必ずハーネスを使用してください。ハーネスを付けることで、本製品を最大限に制御できるようになります。ハーネスにより、腕や背中への疲労のリスクが低減します。

- ハーネスを付けます。
- ハーネスサポートフックに本製品を取り付けます。

3. サポートフックが腰の右側あたりにくるまで、ハーネスの長さを調節します。



## Operation ( 動作 )

### はじめに



**警告：** 本製品を使用する前に、安全に関する章を読んで理解してください。

### 本製品を始動する前の作業

1. 作業エリアを点検します。跳ね返ってくる可能性のある物体を除去してください。
2. カuttingアタッチメントを点検します。ブレードの刃先が鋭いこと、およびブレードに亀裂や損傷がないことを確認します。
3. 製品が正常に機能することを確認します。すべてのナットとネジが確実に締められているかどうかを点検します。
4. ハンドルと安全装置に損傷がないこと、およびこれらが正しく取り付けられていることを確認します。不足している部品がある製品や初期仕様から変更されている製品は使用しないでください。必要に応じて、保護グローブを着用してください。
5. 製品を使用する前に、カバーに損傷がないこと、正しく接続されていることを確認します。

### バッテリー充電器を接続するには

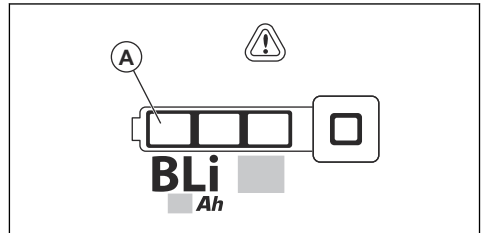
1. 定格プレートで指定されている電圧と周波数の電源にバッテリー充電器を接続してください。
2. 接地された壁コンセントにプラグを差し込みます。バッテリー充電器のLEDが一度緑色で点滅します。

**注記：** バッテリーの温度が 50 °C ( 122 °F ) を超えると、バッテリーは充電されません。温度が 50 °C ( 122 °F ) を超えた場合は、バッテリーの温度が下がってから充電器による充電が開始されます。

### バッテリーとバッテリー充電器を接続するには

**注記：** 初めてバッテリーを使用する場合は、バッテリーを充電してください。新品のバッテリーは 30 % しが充電されていません。

1. バッテリーが濡れていないことを確認してください。
2. バッテリーとバッテリー充電器の接続を接続します。
3. バッテリー充電器の緑の充電ライトが点灯していることを確認してください。これにより、バッテリーがバッテリー充電器に正しく接続されていることがわかります。
4. バッテリーのLED(A)がすべて点灯したら、フル充電されています。



5. 電源ソケットからバッテリー充電器を取り外す際は、プラグを引っ張ってください。コードを引っ張らないでください。
6. バッテリー充電器からバッテリーを外します。

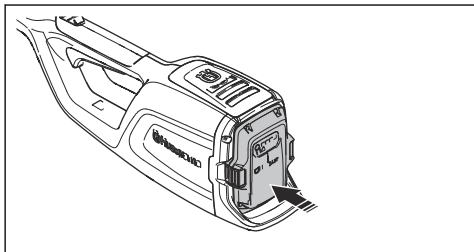
**注記：** 詳細については、バッテリーおよびバッテリー充電器の取扱説明書を参照してください。

## バッテリーの取り付け方法



**警告：** 本製品には、Husqvarna の純正バッテリーのみを使用してください。

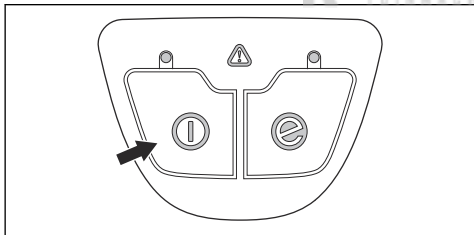
1. バッテリーがフル充電されていることを確認してください。
2. バッテリーを本製品のバッテリーホルダーに入れます。バッテリーは簡単にホルダーにはまりません。はまらない場合は、正しく取り付けられていません。



3. バッテリーの下部を押して、バッテリーホルダーに完全に押し入れます。バッテリーがロックされると、カチッという音がします。
4. ラッチが所定の位置に正しく取り付けられていることを確認します。

## 本製品の始動方法

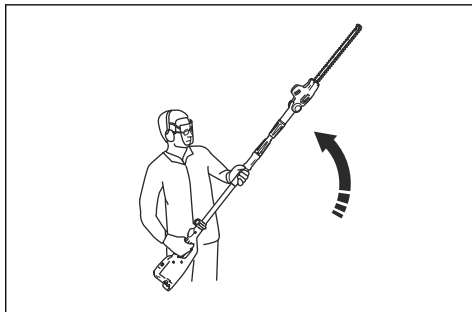
1. 緑色の LED ランプが点灯するまで、スタート / ストップボタンを押し続けます。



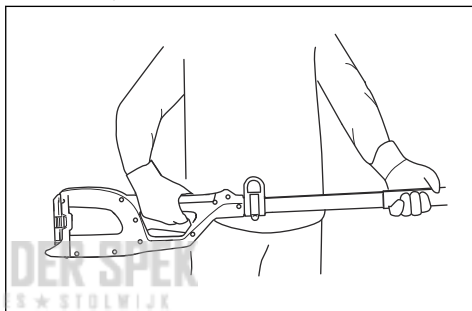
2. パワートリガーロックを後方に引いてパワートリガーを保持します。

## 本製品の操作

- 生け垣の側面を刈り込むときは、地面の近くで始動し、生け垣に沿って本製品を上方へ動かします。



- 本製品を体の近くに保持し、作業位置を安定させてください。

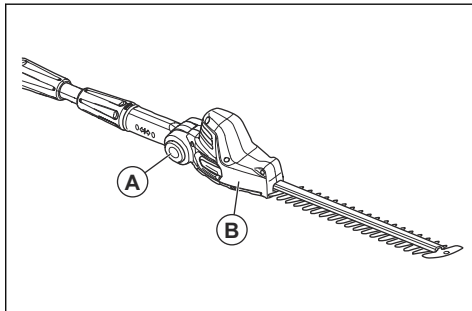


- カutting装置の先端が地面に接触しないようにしてください。
- すべての枝を適切に刈り込むまで、慎重にゆっくりと作業してください。

## カuttingアタッチメントの角度の調整

カuttingアタッチメントの位置は 7 段階に調節できます。

1. 本製品を停止して、バッテリーを取り外します。



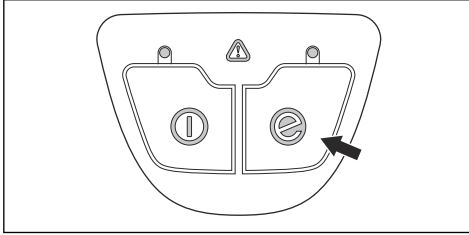
2. ハウジング (B) をしっかりと固定します。
3. ハウジング (B) の両側のロックボタン (A) を押し続けます。

4. カuttingアタッチメントを正しい角度にします。
5. 両側のロックボタン (A) を放します。
6. Cuttingアタッチメントが所定の位置にロックされるまで、ハウジング (B) を上下に動かします。

### SaveE 機能を有効にする方法

本製品には SaveE 機能があります。SaveE 機能を使用すると、バッテリー動作時間を最大限に延ばすことができます。

1. SaveE ボタンを押します。LED が点灯して、機能がオンであることを示します。



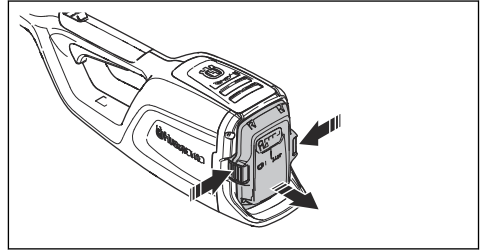
2. もう一度 SaveE ボタンを押すと、SaveE 機能が停止します。

### 自動シャットダウン機能

本製品には、使用されていないときに停止する自動シャットダウン機能があります。始動 / 停止を示す緑色の LED が消灯し、60 秒後に本製品が停止します。

### 本製品の停止方法

1. フロントトリガーを解放します。
2. 緑色の LED が消灯するまで、START/STOP ボタンを押し続けます。
3. 本製品からバッテリーを外します。2 つのリリースボタンを押して、バッテリーを引き出します。



## メンテナンス

### はじめに



**警告：** 本製品のメンテナンスを実行する前に、安全に関する章を読んで理解してください。



**警告：** 本製品のメンテナンスを実行する前にバッテリーを外してください。

### メンテナンスのスケジュール

本製品に必要なメンテナンス手順のリストは以下のとおりです。

メンテナンス	毎回	毎週	毎月
本製品の外部部品を清掃してください。	X		
始動および停止スイッチが正しく機能し、損傷がないことを確認します。	X		
パワートリガーとパワートリガーのロック機能が、安全面から見て正しく動作することを確認します。	X		
コントロールがすべて機能し、損傷がないことを確認します。	X		
カッターブレードとカッターガードに亀裂がなく、損傷していないことを確認します。カッターブレードに亀裂がある場合や、カッターブレードが衝撃を受けている場合は、カッターブレードまたはカッターガードを交換します。	X		
カッターブレードに曲がりや損傷がある場合は交換します。	X		
ネジとナットが確実に締められていることを確認します。	X		
バッテリーに損傷がないことを確認してください。	X		
バッテリーが充電されていることを確認してください。	X		

メンテナンス	毎回	毎週	毎月
バッテリー充電器に損傷がないことを確認してください。	X		
カッターブレードを固定しているネジがきちんと締まっていることを確認してください。		X	
バッテリーと本製品の接続を確認してください。バッテリーとバッテリー充電器の接続を確認してください。			X

## バッテリーとバッテリー充電器の点検方法

1. バッテリーにヒビなどの損傷がないか調べます。
2. バッテリー充電器にヒビなどの損傷がないか調べます。
3. 充電器の電源コードを点検し、破損や亀裂がないことを確認してください。

## 製品、バッテリー、およびバッテリー充電器の清掃方法

1. 使用後は、製品を乾いた布で拭いてください。
2. バッテリーとバッテリー充電器を、乾いた布で拭いてください。バッテリーガイドトラックは清潔さを保ってください。
3. バッテリーをバッテリー充電器や本製品に入れる前に、バッテリーとバッテリー充電器の端子に汚れがないことを確認してください。

## カッターブレードの点検方法

1. 製品を使用する前と後に、腐食防止剤を使用してカッターブレードから異物を除去してください。
2. 損傷や変形がないかカッターブレードの刃を点検してください。
3. ヤスリを使用して、カッターブレードのバリを削り取ります。

4. カッターブレードが自由に動くことを確認してください。

## ブレードの清掃と潤滑方法

1. 本製品の使用前後に、ブレードに付着した物質を清掃してください。
2. 長期間保管する前に、ブレードを潤滑してください。

**注記：** 推奨される洗浄剤と潤滑油について詳しくは、サービス代理店までお問い合わせください。

## ギアハウジングの潤滑方法

認定サービスディーラーがギヤを分解した後は、ギヤハウジングにグリースを塗布します。

- Husqvarna 純正のグリースを使用してください。推奨されるグリースについて詳しくは、サービス代理店までお問い合わせください。
- 専用の高品質グリースを少量のみ使用してください。



**注意：** ギアハウジングにグリースをいっぱいまで充填しないでください。

## トラブルシューティング

### キーパッド

LED 画面	想定される不具合	解決方法
エラー LED が点滅する。	過負荷	カッティングアタッチメントを自由に動かせない。カッティングアタッチメントを解放してください。
製品が始動しない。	バッテリーコネクタに異物が入っている。	バッテリーコネクタを圧縮空気がブラシを使用して清掃します。
エラー LED が赤色で点灯する。	本製品にサービス作業が必要です。	販売店にお問い合わせください。



## バッテリー

LED 表示	想定される不具合	対応措置
緑色の LED が点滅する。	バッテリー電圧が低い。	バッテリーを充電してください。
エラー LED が点滅する。	温度の逸脱。	バッテリーは -10~40°C (14~104°F) の温度で使用してください。
	電圧が高すぎる。	主電源の電圧が、本製品の銘板に記載された値と一致することを確認してください。 バッテリー充電器からバッテリーを外します。
エラー LED が点灯する。	電池の電位差が大きすぎる (1 V)。	サービス代理店にお問い合わせください。

## バッテリー充電器

問題	想定される不具合	解決方法
赤いエラー LED が点滅。	温度の逸脱。	バッテリー充電器は 5~40°C (41~104°F) の環境で使用してください。
赤いエラー LED が点灯。	セルの差異が大きすぎる (1V)。	サービス代理店にお問い合わせください。

KEES VAN DER SPEK  
TUINMACHINES \* STOLWIJK

## 搬送、保管、廃棄

### 搬送と保管

- 同梱のリチウムイオンバッテリーは、危険物の規制に関する規則に準拠しています。
- 民間の運送業者による商用輸送においては、梱包およびラベル付けに関して所定の要件に従ってください。
- 本製品を送送する前に、危険物に関して特別な訓練を受けた担当者にご相談ください。該当するすべての国内規制に従ってください。
- バッテリーを梱包するときは、露出している端子にテープを貼ってください。バッテリーを固定し、動かないように梱包してください。
- 保管するときや搬送時はバッテリーを外してください。
- バッテリーとバッテリー充電器は、乾燥して湿気や霜がない場所に置いてください。
- 静電気が発生するような場所にはバッテリーを保管しないでください。バッテリーは金属製の箱に保管しないでください。
- バッテリーは温度が 5~25°C (41~77°F) の場所に保管し、直射日光から遠ざけてください。

- バッテリー充電器は温度が 5~45°C (41~113°F) の場所に保管し、直射日光から遠ざけてください。
- バッテリー充電器は、周囲温度が 5°C ~ 40°C の場合にのみ使用してください。
- バッテリーを長期間保管するときは、充電量を 30~50% にしてください。
- バッテリー充電器は、密閉した乾いた場所に保管してください。
- バッテリーの保管中は、バッテリー充電器から遠ざけてください。子供や許可されていない他の人が機器に触れないようにしてください。施錠できる場所に装置を保管してください。
- 製品を長期間保管する場合は、その前に製品を清掃し、よく点検しておいてください。
- 搬送中および保管中に製品が傷ついたり損傷したりしないように、製品の移動用ガードを使用してください。
- 搬送中は製品をしっかり固定してください。

### バッテリー、バッテリー充電器、および製品の廃棄

本製品や本製品パッケージ上のマークは、本製品が家庭ゴミではないことを示します。電気・電子機器の再利用

を行うため、リサイクル営業所に引き渡します。これにより環境や人への被害を防ぐことができます。

本製品のリサイクルの詳細については、地方自治体、廃棄物処理業者または販売店にお問い合わせください。

## 主要諸元

### 主要諸元

	120ITK4-H
モーター	
モータータイプ	PMDC 36V
質量	
バッテリーを除いた質量、kg	4.6
バッテリー ( デフォルトのバッテリー BLi10 ) を含む質量 ( kg )	5.3
騒音排出 <sup>70</sup>	
実測音響レベル dB ( A )	91.32
保証音響レベル L <sub>WA</sub> dB ( A )	94
音量レベル <sup>71</sup>	
使用者聴覚での音圧レベル、EN 62841-1 および EN 62841-4-2 に従って測定、dB ( A )	81.3
振動レベル <sup>72</sup>	
振動レベル ( a <sub>h</sub> )、フロント / リヤハンドル、m/s <sup>2</sup> EN 62841-1 および EN 62841-4-2 に準拠。	1.223/0.816
カッティング装置	
型式	両刃
ブレード長 ( mm )	500
SavE モードのブレード速度 ( カット / 分 )	2250
SavE モードでないときのブレード速度 ( カット / 分 )	2800

### 認可されたバッテリー充電器

バッテリー充電器	QC80
入力電圧、V	100 ~ 240
周波数、Hz	50/60

<sup>70</sup> 環境における騒音の排出は、EC 指令 2000/14/EC に従って、音響パワー ( L<sub>WA</sub> ) として測定。保証音響と計測音響の違いは、保証音響に計測結果のばらつきと、同一モデルの異なる機器の差異が含まれているためです。これは指令 2000/14/EC に則っています。

<sup>71</sup> 等価騒音レベルの一般的な統計上のばらつきは、3 dB ( A ) の標準偏差となります。

<sup>72</sup> 報告データによれば、等価振動レベルの一般的な統計上のばらつき ( 標準偏差 ) は、1.5 m/s<sup>2</sup> です。

公称振動合成値は標準試験法に則って測定されており、ツール間を比較するために使用できます。

公称振動合成値は振動暴露の予備評価にも使用できます。

バッテリー充電器	QC80
電力、W	100
出力電圧、V DC/A	36/2

### 認可されたバッテリー

バッテリー	BLi10
型式	リチウムイオン
バッテリー容量、Ah	バッテリー定格ステッカー参照
公称電圧、V	36
質量、kg	0.7

**KEES VAN DER SPEK**  
TUINMACHINES ★ STOLWIJK

---

# EC 適合宣言

---

## EC 適合宣言

Husqvarna AB、SE-561 82 Huskvarna、スウェーデン、電話 : +46-36-146500 ) は 2021 年以降のシリアル番号のポールヘッジトリマー **Husqvarna 120ITK4-H** ( 年号は銘板上にシリアル番号とともに明記 ) が、以下の評議会指令の規格に適合することを宣言します。

- 2006 年 5 月 17 日付「機械類に関する」**2006/42/EC**
- 2014 年 2 月 26 日付「電磁波適合性に関する」**2014/30/EU**
- 2011 年 6 月 8 日付「電気・電子製品に含まれる特定有害物質の使用制限に関する」**2011/65/EU**

次の標準規格にも適合しています。

**EN 62841-1:2015, EN 62841-4-2:2019, EN 55014-1:2017+A11, EN 55014-2:2015, CISPR12:2007+A1 2009, EN IEC 63000:2018.**

TÜV Rheinland LGA Products GmbH, Tillystrasse 2, D-90431 Nuernberg, Germany が Husqvarna AB の代理として自主試験を実施しました。証明書の番号 : **AM 50491653 0001**。

Huskvarna 2020-12-30



開発マネジャー Pär Martinsson ( ハスクバーナ AB 正式代表兼技術文書担当 )

## 목차

서문.....	429	고장 수리.....	441
안전성.....	431	운송, 보관 및 폐기.....	441
조립.....	437	기술 정보.....	442
작동.....	437	EC 준수 선언문.....	444
유지 보수.....	439		

## 서문

### 제품 설명

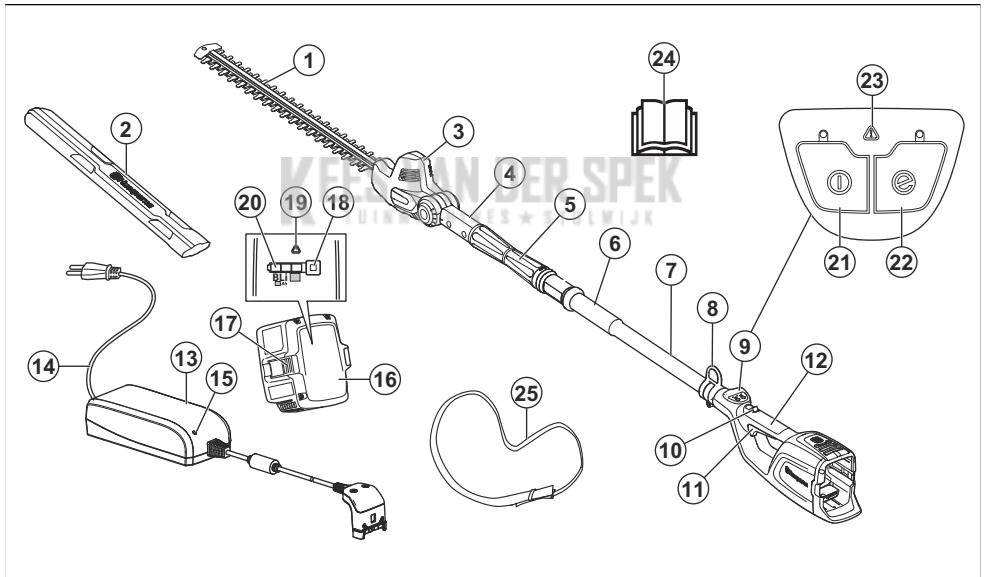
Husqvarna120iTK4-H 은(는) 배터리부착형 길이 조절 원에 재단기입니다.

작동 중의 안전과 효율성을 높이기 위한 노력은 항상 계속되고 있습니다. 자세한 내용은 서비스 대리점에 문의하십시오.

### 고유 용도

이 제품을 사용하여 나뭇가지와 잔가지를 잘라낼 수 있습니다. 제품을 다른 작업에 사용하지 마십시오.

### 제품 개요



- |                 |                  |
|-----------------|------------------|
| 1. 날            | 11. 파워 트리거       |
| 2. 이동 보호대       | 12. 뒤 핸들         |
| 3. 하우징          | 13. 배터리 충전기      |
| 4. 위치 분할 핸들     | 14. 코드           |
| 5. 길이 조절 기능     | 15. 전원 커짐/경고 LED |
| 6. 앞 핸들         | 16. 배터리          |
| 7. 축            | 17. 배터리 해제 버튼    |
| 8. 멜빵 보조 고리     | 18. 배터리 표시등 버튼   |
| 9. 키패드          | 19. 경고 LED       |
| 10. 파워 트리거 로크아웃 | 20. 배터리 표시등 LED  |

- 21. 시동/정지 버튼
- 22. SavE 버튼
- 23. 경고 LED
- 24. 사용자 설명서
- 25. 벨트

## 제품의 기호



경고! 이 제품은 위험합니다. 이 제품을 주의 기울여 올바르게 사용하지 않으면 사용자나 구경꾼이 부상을 입거나 사망할 수 있습니다. 사용자 또는 구경꾼에게 부상을 입히지 않으려면 사용자 설명서의 모든 안전 지침을 읽고 준수하십시오. 사용하기 전에 사용자 설명서를 주의 깊게 읽고, 반드시 시시사항을 이해하도록 하십시오.



물체가 떨어질 수 있는 장소에서는 안전모를 사용하십시오. 인가된 청각 보호 장구를 사용하십시오. 인가된 시각 보호 장구



승인된 보호용 장갑을 사용하십시오.



이 제품은 적용 가능한 EC 지침 조항을 준수합니다.

정격 전압, V



직류.



빗물에 노출시키지 마십시오.



손을 절단 날로부터 멀리하십시오.



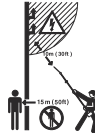
길이 조절 기능



분할 기능.



노브를 느슨하게 하려면 왼쪽으로 돌리고, 조이려면 오른쪽으로 돌립니다.



이 제품은 절연되어 있지 않습니다. 제품이 고압 전선에 닿거나 가까워지면 사망하거나 심각한 부상을 입을 수 있습니다. 전류가 아크로 한 곳에서 다른 곳으로 튕길 수 있습니다. 전압이 높을수록 전류가 멀리 튕 수 있습니다. 또한 전류는 특히 젖어있는 경우 가지와 다른 물체를 타고 이동할 수도 있습니다. 항상 제품과 고압 전선 및/또는 그에 닿아 있는 모든 물체의 거리가 최소 10m가 되도록 유지하십시오. 이 안전 거리 내에서 작업을 해야 하는 경우에는 항상 관련 전기 회사에 문의하여 작업을 시작하기 전에 전원이 꺼져 있는 것을 확인하십시오. 작동 중에는 다른 사람이나 동물로 부터 최소 15m 이상 거리를 유지하십시오.

yyyywwxxxx

명판에는 일련번호가 표시됩니다. yyyy는 생산 연도이고 ww는 생산 주입니다.

주: 제품의 여타 기호/도안은 일부 시장의 인증 요구사항을 나타냅니다.

## 배터리 및/또는 배터리 충전기의 기호



전기 및 전자 장비 재활용 처리장에서 이 제품을 재활용하십시오. (유럽에만 해당).



페일 세이프(Fail-safe) 변압기



배터리 충전기는 실내에서만 사용 및 보관하십시오.



인증 절연.

## 제품 책임

제조물 책임법에 언급된 바와 같이, 당사는 다음과 같은 경우에 당사 제품이 초래한 손해에 대한 법적 책임이 없습니다.

- 제품이 올바르게 사용되지 않은 경우
- 제품이 제조업체에서 제공하지 않았거나 승인하지 않은 부품으로 수리된 경우
- 제품에 제조업체에서 제공하지 않았거나 승인하지 않은 액세서리가 있는 경우
- 제품이 인가된 서비스 센터 또는 인가된 기관에서 수리되지 않은 경우

## 안전 정의

설명서에서 특히 중요한 부분을 가리킬 때 경고, 주의 및 주가 사용됩니다.



**경고:** 설명서의 지시사항을 준수하지 않을 경우 작업자나 옆에 있던 사람이 부상을 입거나 사망할 위험이 있을 때 사용됩니다.



**주의:** 설명서의 지시사항을 준수하지 않을 경우 제품, 다른 재료 또는 인접한 지역에서 피해가 발생할 위험이 있을 때 사용됩니다.

**주:** 주어진 상황에 대한 정보를 추가로 제공할 때 사용됩니다.

## 일반 전동 공구 안전 경고



**경고:** 안전 경고 및 지침을 모두 읽어 보십시오. 경고 및 지시 사항에 따르지 않을 경우 전기 감전, 화재 등으로 인해 중상을 입을 수 있습니다.

**주:** 나중에도 참조할 수 있도록 모든 경고와 지침을 보관하십시오. 경고에 있는 "전동 공구"라는 용어는 주전원으로 작동하는(유선) 전동 공구 또는 배터리로 작동하는(무선) 전동 공구를 말합니다.

## 작업 영역의 안전

- 작업 영역을 깨끗하고 밝게 유지합니다. 어수선하거나 어두운 곳에서 사고가 발생합니다.
- 전동 공구를 가연성 액체나 가스 또는 먼지 등이 있는 폭발 가능한 지역에서 작동시키지 마십시오. 전동 공구는 먼지나 증기에 점화시킬 수 있는 불꽃을 발생시킵니다.
- 전동 공구를 조작할 때에는 아이들과 구경꾼들이 멀리 떨어지게 하십시오. 방심할 경우 통제력을 잃을 수 있습니다.

## 전기적 안전

- 전동 공구 플러그는 소켓에 맞아야 합니다. 플러그를 어떠한 경우에도 개조하지 마십시오. 접지시킨 전동 공구에 대해서는 어댑터 플러그를 사용하지 마십시오. 개조하지 않은 플러그 및 꼭 맞는 소켓을 사용하면 전기 감전의 위험을 줄일 수 있습니다.
- 파이프, 라디에이터, 전자레인지, 냉장고 등과 같이 접지된 표면에 신체를 접촉시키지 마십시오. 접촉하는 경우에는 전기 감전 위험이 증대됩니다.
- 전동 공구를 비가 내리거나 젖어 있는 곳에 노출하지 마십시오. 전동 공구에 물이 유입되면 전기 감전의 위험이 증대됩니다.

- 코드를 무리하게 당기지 마십시오. 절대로 코드를 당겨서 전동 공구를 운반하거나 끌어당기거나 플러그를 빼지 마십시오. 코드를 열, 오일, 날카로운 모서리나 움직이는 부품에서 멀리하십시오. 코드가 손상되거나 영구적인 경우 전기 감전의 위험이 증대됩니다.
- 전동 공구를 실외에서 작동하는 경우 실외용으로 적합한 연장 코드를 사용하십시오. 실외용으로 적합한 코드를 사용하면 감전의 위험이 줄어듭니다.
- 어쩔 수 없이 습한 장소에서 전동 공구를 작동해야 하는 경우에는 누전 차단기(RCD)로 보호되는 전원 공급 장치를 사용하십시오. 누전 차단기(RCD)를 사용하면 감전의 위험이 줄어듭니다.

## 개인 안전

- 전동 공구를 조작할 때에는 방심하지 말고 작업에 주의하며 상식에 어긋난 행동을 하지 마십시오. 피곤하거나 약물, 알코올 또는 의약품의 효과가 나타나거나 동안에는 전동 공구를 사용하지 마십시오. 전동 공구를 조작하는 동안 한 순간의 방심이 심각한 인명 사고를 일으킬 수 있습니다.
- 개인안전장비를 이용하십시오. 항상 시각 보호 장구를 착용하십시오. 적절한 작업 조건을 위해 사용되는 먼지 차단 마스크, 미끄럼 방지 안전화, 안전모 또는 청각 보호 장구 등과 같은 안전장비는 부상의 위험을 줄여줍니다.
- 엔진에 실수로 시동이 걸리지 않도록 하십시오. 공구에 전원 및/또는 배터리 팩을 연결하거나, 공구를 들어 올리거나 운반하기 전에 스위치가 오프(OFF) 위치에 있는지 확인하십시오. 스위치 위에 손가락을 올려 놓고 전동 공구를 운반하거나 스위치가 켜져 있는 전동 공구에 전기를 흐르게 할 경우 사고를 일으키게 됩니다.
- 전동 공구의 전원을 켜기 전에 조정 키나 렌치를 제거합니다. 전동 공구의 회전하는 부품에 부착된 렌치나 키는 인명 사고를 일으킬 수 있습니다.
- 몸을 무리하게 앞으로 뺨지 마십시오. 항상 발 딛는 곳에 적절한 균형을 유지하십시오. 이렇게 하면 예상치 못한 상황에서 전동 공구를 더 잘 제어할 수 있습니다.
- 적절한 복장을 갖추십시오. 헐거운 옷이나 장신구를 착용하지 마십시오. 머리카락, 의복은 움직이는 부품에서 멀리 떨어지게 하십시오. 헐거운 의복, 장신구나 긴 머리카락이 움직이는 부품에 끼일 수 있습니다.
- 먼지 추출 및 집진 설비를 연결하기 위해 제공된 장비의 경우 연결 상태와 제대로 사용되고 있는지 여부를 확인하십시오. 집진 설비를 사용할 경우 먼지와 관련된 위험을 줄일 수 있습니다.
- 도구의 빈번한 사용으로 인해 익숙해짐으로써 무사 안일주의에 빠지거나 도구 안전 원칙을 무시하지 않도록 하십시오. 부주의한 작동으로 인해 1초 이내에도 심각한 부상을 입을 수 있습니다.
- 전동 공구를 실제로 사용하는 동안 발생하는 진동 방출은 공구를 사용하는 방법에 따라 규정된 총 진동 값과 다를 수 있습니다. 작업자는 (트리거 뿐만 아니라) 공구 전원을 끄는 시점, 공회전하는 시점과 같이 작동 주기의 모든 측면을 고려하여 실제 사용 조건에서의

노출 예측을 기초로 스스로를 보호하기 위해 안전 조치를 파악해야 합니다.

## 전동 공구 사용 및 주의사항

- 전동 공구에 무리한 힘을 가하지 마십시오. 응도에 맞는 올바른 전동 공구를 사용하십시오. 올바른 전동 공구는 설계된 속도로 사용할 때 안전하고 훌륭하게 작업을 수행합니다.
- 스위치로 전동 공구를 켜고 끄지 못할 경우에는 전동 공구를 사용하지 마십시오. 스위치로 조작이 불가능한 전동 공구는 위험하며 수리해야 합니다.
- 조정, 액세서리 교체 또는 전동 공구를 보관하기 전 전원 및/또는 전동 공구의 배터리 팩에서 플러그를 빼십시오. 그러한 안전 예방 조치는 전동 공구에 실수로 시동을 거는 위험을 줄여줍니다.
- 아이들의 손이 닿지 않는 곳에 전동 공구를 보관하고 전동 공구나 이 지침에 대해 잘 모르는 사람이 전동 공구를 작동하지 못하도록 하십시오. 전동 공구가 훈련되지 않은 사용자의 손에 들어갈 경우 위험합니다.
- 전동 공구를 안전하게 유지 관리하십시오. 움직이는 부품의 오정렬이나 고착, 부품의 파손 및 기타 전동 공구의 작동에 영향을 줄 수 있는 상태를 점검하십시오. 전동 공구가 손상된 경우 사용을 중지하십시오. 전동 공구의 유지 보수가 불량한 경우 많은 사고가 발생할 수 있습니다.
- 절단 공구는 날카롭고 청결하게 관리하십시오. 날카로운 절단 날을 갖추도록 제대로 관리된 절단 공구는 고착될 가능성이 적고 제어하기가 쉽습니다.
- 작업 조건 및 수행해야 할 작업을 고려하면서 이 지시 사항에 따라 전동 공구, 액세서리 및 공구 바이트 등을 사용하십시오. 그러한 목적과 다른 작업에 전동 공구를 사용할 경우 위험한 상황이 발생할 수 있습니다.
- 핸들과 손잡이 부분을 건조하고 깨끗하며 오일과 그리스가 없도록 유지하십시오. 핸들과 손잡이 부분이 미끄러우면 예상치 못한 상황에서 공구를 안전하게 취급하고 제어할 수 없습니다.

## 무선 전동 공구 사용 및 주의사항

- 제조업체에서 지정한 충전기만 충전하십시오. 지정된 배터리 팩 유형에 적합하도록 설계된 충전기에 다른 유형의 배터리 팩을 사용하면 화재의 위험이 있을 수 있습니다.
- 전동 공구에는 특별히 지정된 배터리 팩만 사용하십시오. 다른 유형의 배터리 팩을 사용하면 상해 및 화재의 위험이 있을 수 있습니다.
- 단자의 단락을 야기할 수 있으므로 배터리 팩을 사용하지 않을 때는 클립, 동전, 열쇠, 못, 나사 등 각종 금속 물체로부터 멀리하십시오. 배터리 단자가 단락되면 화상 또는 화재를 일으킬 수 있습니다.
- 너무 심하게 사용하면 배터리에서 배터리액이 누수될 수 있으므로 신체에 닿지 않게 하십시오. 만일 실수로 신체에 닿은 경우 물로 세척하십시오. 만일 배터리액이 눈에 닿은 경우 추가로 의료적인 도움을 받으십시오. 배터리에서 누수된 배터리액은 자극 또는 화상을 일으킬 수 있습니다.
- 손상되거나 개조된 배터리 팩 또는 공구를 사용하지 마십시오. 손상되거나 개조된 배터리는 화재, 폭발 및 부상의 위험이 있는 예측할 수 없는 동작을 할 수 있습니다.

- 배터리 팩 또는 공구를 불이나 과도한 온도에 노출시키지 마십시오. 불에 노출되거나 130°C(265°F) 이상의 온도에 노출되면 폭발할 수 있습니다.
- 모든 충전 지침에 따라 지침에 지정된 온도 범위 내에서 배터리 팩 또는 공구를 충전하지 마십시오. 부적절하게 충전하거나 명시된 온도 범위를 벗어나면 배터리를 손상시킬 수 있으며 화재의 위험이 높아집니다.

## 서비스

- 정품 교체 부품만을 사용하는 유자격 수리 기술자에 게만 전동 공구 수리를 맡기십시오. 이렇게 하면 전동 공구의 안전을 확실하게 관리할 수 있습니다.
- 손상된 배터리 팩은 정비하지 마십시오. 배터리 팩에 대한 서비스는 제조업체 또는 공인 서비스 제공업체만 수행해야 합니다.

## 원에 재단기의 안전 지침

- 신체 모든 부분을 날로부터 멀리하십시오. 날이 움직일 때는 절단 대상 물체 또는 절단에 사용되는 고정 물체를 제거하지 마십시오. 스위치가 꺼진 후에도 날이 계속 움직입니다. 전정기를 조작하는 동안 한 순간의 방심이 심각한 인명 사고를 초래할 수 있습니다.
- 날이 멈춘 상태의 전정기를 핸들로 옮기고 전원 스위치가 작동하지 않도록 주의하십시오. 전정기를 올바르게 운반하면 예기치 않게 시동이 걸려 칼날에 부상을 입을 수 있는 위험성이 감소합니다.
- 전정기를 운반하거나 보관할 때는 항상 날의 덮개를 장착하십시오. 전정기를 올바르게 취급하면 날로 인한 인명 사고 위험이 줄어듭니다.
- 걸린 물체를 제거하거나 장치를 정비할 때는 모든 전원 스위치가 꺼져 있고 전원 코드가 분리되어 있는지 확인하십시오. 걸린 물질 제거 혹은 정비를 할 때 전정기가 예상치 않게 작동하면 심각한 부상을 초래할 수 있습니다.
- 절단 날이 숨어 있는 배선이나 코드에 닿을 수 있으므로 전정기를 잡을 때는 반드시 절연된 손잡이 부분을 잡아야 합니다. 날이 "전기가 흐르는" 배선에 닿으면 이는 전정기의 금속 부품이 "흐르는 전기"에 노출됨을 의미하며 작업자가 감전될 수 있습니다.
- 모든 전원 코드 및 케이블을 절단 부위에서 멀리하십시오. 전원 코드 또는 케이블은 관목에 숨겨질 수 있으며, 칼날이 힘으로 케이블을 절단할 수 있습니다.
- 특히, 낙뢰 위험이 있는 곳은 날씨에는 전정기를 사용하지 마십시오. 그러한 낙뢰에 맞을 위험이 감소합니다.
- 감전사의 위험을 줄이려면 절대 확장형 전정기를 전선 근처에서 사용하지 마십시오. 전선에 접촉하거나 전선 근처에서 사용하면 심각한 부상을 입거나 감전으로 사망에 이를 수 있습니다.
- 확장형 전정기를 작동할 경우 항상 두 손으로 사용하십시오. 통제 불능 상태가 되지 않도록 확장형 전정기를 두 손으로 잡으십시오.
- 머리 위에서 확장형 전정기를 작동할 경우 항상 머리 보호 장구를 사용하십시오. 떨어지는 파편으로 인해 심각한 인명 사고가 발생할 수 있습니다.



## 일반 안전 지침



**경고:** 제품을 사용하기 전에 다음 경고 지침을 읽으십시오.

- 배터리를 분리하여 제품이 실수로 작동되지 않도록 하십시오.
- 이 제품은 조심하지 않거나 잘못 사용하면 위험한 공구입니다. 이 제품은 작업자 또는 다른 사람에게 심각한 부상이나 사망을 초래할 수 있습니다.
- 제품이 초기 사양에서 변경된 경우 제품을 사용하지 마십시오. 제조업체의 승인 없이 제품의 일부를 변경하지 마십시오. 제조업체가 승인한 부품만 사용하십시오. 잘못된 유지 관리의 결과로 부상이나 사망 사고가 발생할 수 있습니다.
- 사용 전에 제품을 점검하십시오. *제품의 안전장치/페이지의 434 및 유지 보수 페이지의 439를* 참조하십시오. 결함이 있는 제품은 사용하지 마십시오. 본 설명서에 나온 안전 점검, 유지 보수 및 서비스 지침을 실행하십시오.
- 어린이가 제품을 가지고 장난하지 않도록 감독해야 합니다. 아이들이나 제품 사용에 관하여 교육을 받지 못한 다른 사람이 장비를 사용하고 배터리를 사용하거나 서비스하지 않도록 하십시오. 현지 법에 따라 사용자의 연령이 규정될 수 있습니다.
- 어린이나 승인되지 않은 사람이 접근하지 못하도록 제품을 자물쇠가 있는 장소에 보관하십시오.
- 어린이의 손이 닿지 않는 곳에 제품을 보관하십시오.
- 제조사의 인가 없이는 어떤 경우에도 제품의 설계를 변경할 수 없습니다. 항상 정품 액세서리를 사용하십시오. 인가받지 않은 개조 및/또는 액세서리는 사용자와 동료 작업자에게 심각한 인명 사고 또는 사망을 초래할 수 있습니다.

**주:** 국가 또는 해당 지역 법에 따라 사용이 규제될 수 있습니다. 제공된 규정을 준수하십시오.

## 작동에 대한 안전 지침



**경고:** 제품을 사용하기 전에 다음 경고 지침을 읽으십시오.

- 어떻게 해야 하는지 잘 모르는 경우에는 전문가에게 문의해야 합니다. 대리점이나 서비스 센터에 문의합니다. 자신의 능력 밖이라고 판단되는 모든 조작은 하지 마십시오.
- 피로한 상태, 알코올 및 마약, 약물 또는 기타 시력, 주의력, 협응 능력 및 판단력에 영향을 미칠 수 있는 물질의 영향을 받는 상태에서는 절대 이 제품을 사용하지 않습니다.
- 나쁜 날씨에서 작업하면 쉽게 지치며 위험이 추가되는 경우가 많습니다. 따라서 짙은 안개, 폭우, 강풍, 혹은 한 및 낙뢰 위험 등과 같은 악천후에서는 장비를 사용하지 않는 것이 좋습니다.
- 손상된 절단용 부품은 사고의 위험성을 증가시킵니다.

- 어린이가 제품을 사용하거나 제품 근처에 있지 않도록 하십시오. 제품은 시동하기 쉬우므로 완벽히 감시하지 않고 보관하는 경우 어린이가 시동할 수도 있습니다. 이것은 심각한 인명 사고를 당할 수 있는 위험을 의미합니다. 제품을 긴밀히 감독하지 않는 경우에는 배터리를 분리하십시오.
- 작업 중에 15미터 이내로 접근하는 사람이나 동물이 없도록 하십시오. 몇 명의 작업자가 같은 구역 내에서 일하고 있는 경우 안전거리는 최소한 15미터여야 합니다. 그렇지 않으면 심각한 인명 사고의 위험이 있습니다. 누군가 다가가면 즉시 제품을 정지시키십시오. 아무도 안전거리 내에 있지 않도록 하고 사용자의 뒤편을 확인하지 않고 제품을 휘두르지 마십시오.
- 사람, 동물 또는 기타 물체가 제품 제어에 영향을 미치지 못하게 하거나 절단용 부품 및 절단용 부품에 의해 튀어나온 느슨한 물체에 닿지 않게 하십시오. 하지만 사고 발생 시 도움을 청할 수 있는 상황이 아닌 경우에는 제품을 사용하지 마십시오.
- 항상 작업 구역을 검사하십시오. 돌, 깨진 유리, 못, 강선, 끈 등 절단용 부품 주위로 감기거나 튕겨 나갈 수 있는 느슨한 물체를 모두 제거하십시오.
- 작업자가 순간 이동할 수 있고 안전하게 서 있을 수 있는지 확인하십시오. 갑자기 움직여야 할 경우 지면에 장애물(뿌리, 바위, 가지, 도랑 등)이 있는지 주변 지역을 점검하십시오. 경사 지면에서 작업할 때는 특히 주의하십시오.
- 항상 균형 및 지지 바닥을 견고히 유지하십시오. 몸을 무리하게 앞으로 뻗지 마십시오.
- 다른 구역으로 이동하기 전에 제품을 비활성화시키십시오. 제품을 사용하지 않을 때는 이동 보호대를 부착하십시오.
- 제품을 비활성화하지 않은 경우에는 절대로 제품을 내려놓지 마십시오. 제품 전원이 켜져 있을 때는 제품을 감시하지 않은 상태로 두지 마십시오.
- 제품을 다른 사람에게 전달하기 전에 배터리를 제거하십시오.
- 제품이 활성화되어 있을 때 옷이나 신체 일부가 절단용 부품에 닿지 않게 하십시오.
- 제품 작동 중에 절단용 부품에 걸리는 것이 있으면 제품을 정지하고 비활성화하십시오. 절단용 부품이 완전히 정지되는지 확인하십시오. 제품 및/또는 절단 장비를 청소, 검사 또는 수리하기 전에 배터리를 분리하십시오.
- 제품을 비활성화할 때는 절단용 부품이 완전히 멈출 때까지 손과 발을 절단용 부품에서 분리하십시오.
- 절단하는 동안 튕겨 나갈 수 있는 가시 밀동에 주의하십시오. 돌이나 기타 물체가 튕겨 나갈 수 있는 지면에 너무 가깝게 절단하지 마십시오.
- 튕겨 나가는 물체에 주의합니다. 항상 인종된 시각 보호 장구를 착용하십시오. 절단 부착물 보호대에 절대로 기대지 마십시오. 돌, 쓰레기 등이 눈에 튀어 들어 가면 눈이 멀거나 심각한 부상을 입을 수 있습니다.
- 청력 보호 장구를 착용하고 있을 때는 경고 신호나 고음을 주의해서 들으십시오. 제품이 멈추면 즉시 청력 보호 장구를 벗으십시오.
- 절대로 사다리, 스틀 또는 안전이 확보되지 않은 높은 위치에서 작업하지 마십시오.
- 위 장치는 작동 중 전자기장을 발생시킵니다. 일부 상황에서 전자기장 발생은 능동적 또는 수동적 의료 삽

입물을 방해합니다. 의료 삽입물을 사용하는 경우, 심각하거나 치명적인 부상의 위험을 줄이기 위하여 본 장비를 작동하기 전에 전문의 및 의료 삽입물 제조사와 상담하실 것을 권장합니다.

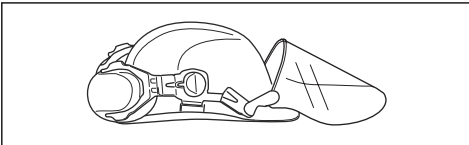
- 항상 두 손으로 제품을 잡으십시오. 제품을 몸의 오른쪽에 고정하십시오
- 날 축에 감겨있거나 보호대와 절단용 부품 사이에 걸려 있는 물질을 제거하기 전에 항상 제품을 정지시키고, 배터리를 제거하고, 절단 장비가 회전하지 않는다는 것을 확인합니다.
- 작동 중 발생하는 전자기장이 능동적 또는 수동적 의료 삽입물을 방해합니다. 의료 삽입물을 사용하는 경우 본 장비를 작동하기 전에 전문의 및 의료 삽입물 제조사와 상담하십시오.
- 멜빵으로 제품의 무게를 지지하여 쉽게 작업할 수 있습니다.
- 영구적 청각 장애를 초래할 수 있습니다. Husqvarna 은(는) 작업자가 승인된 청력 보호 장구를 사용할 것을 권장합니다.
- 초기 사양을 변경한 제품은 절대 사용하지 마십시오.
- 결함이 있는 제품은 절대 사용하지 마십시오. 본 설명서에 나온 점검, 유지 보수 및 서비스를 시행하십시오. 일부 유지 보수 서비스는 훈련을 받은 전문가만이 할 수 있습니다. 유지 보수 절의 지침을 참고하십시오.
- 제품을 사용하기 전에 전반적인 검사를 수행하십시오. 유지 보수 일정을 확인하십시오.
- 사용자 설명서의 내용을 읽고 이해하지 않은 사람에게 절대 장비 사용을 허가하지 마십시오.
- 금속 부품과 같은 절단 부착물을 손상시킬 수 있는 전기 케이블 및 동물 등과 같은 외부 물체가 있는 작업 영역을 확인합니다.
- 결함이 있는 날은 사고의 위험성을 증가시킵니다.

## 개인 보호 장구



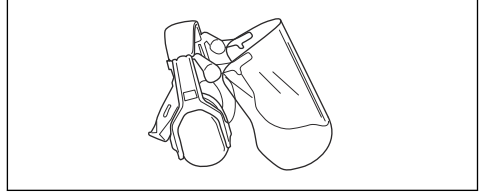
**경고:** 제품을 사용하기 전에 다음 경고 지침을 읽으십시오.

- 제품을 사용할 때는 항상 인가된 개인 보호 장구를 착용하십시오. 개인 보호 장구가 부상을 완전히 방지할 수는 없지만 사고가 발생할 경우 부상의 정도를 줄일 수 있습니다. 대리점에서 올바른 장비를 선택할 수 있도록 하십시오.
- 낙하물의 위험이 있는 곳에서는 헬멧을 착용하십시오.



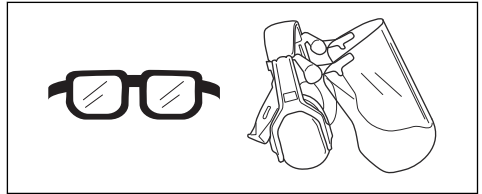
- 소음에 장시간 노출될 경우 영구적인 청각 장애가 초래될 수 있습니다. 일반적으로 배터리 구동 제품은 비교적 조용하지만, 소음 수준과 장기간의 사용으로 인해 손상을 입을 수 있습니다. Husqvarna에서는 하루 중에 장시간 일관되게 제품을 사용할 때 사용자가 청력 보호 장구를 사용하도록 권장합니다. 계속적이고

규칙적인 사용자는 정기적으로 청력을 검사해야 합니다.

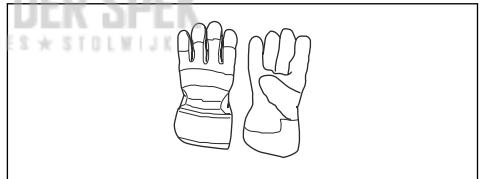


**경고:** 청력 보호 장구는 소리 및 경고 신호를 듣는 능력을 제한합니다.

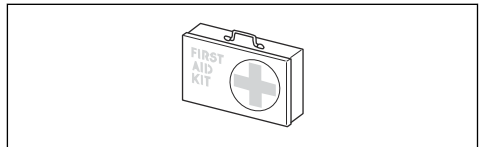
- 인가된 시각 보호 장구 가리개를 사용하는 경우에는 반드시 인가된 고글을 사용하십시오. 인가된 고글은 미국 표준 ANSI Z87.1 또는 EU 국가의 EN 166에 부합되어야 합니다.



- 절단 장비를 부착하거나, 검사하거나, 청소하는 경우처럼 필요할 때 장갑을 사용하십시오.



- 짙긴 천으로 만든 옷을 사용하십시오. 항상 두꺼운 긴 바지와 긴 소매를 착용하십시오. 나뭇가지와 잔가지에 걸릴 수 있는 느슨한 옷을 착용하지 마십시오. 보석, 짧은 바지, 샌들을 착용하지 말고, 맨발로 작업하지 마십시오. 머리카락을 어깨높이 위로 안전하게 물리십시오.
- 응급 처치 용품은 가까이 두십시오.



## 제품의 안전장치



**경고:** 제품을 사용하기 전에 다음 경고 지침을 읽으십시오.

이 절에서는 제품의 안전 기능 및 그 용도, 이 장치를 올바르게 작동시키기 위한 점검 및 유지 보수 등에 대하여 설명합니다. 각 구성품이 제품의 어느 부분에 위치해 있는지를 알려면 **제품 개요 페이지의 429**를 참고하십시오.

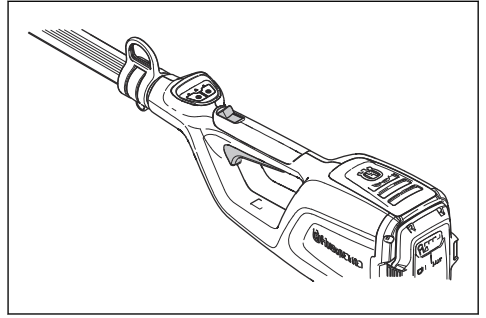
제품의 유지 보수가 적절히 이루어지지 않거나, A/S 및/또는 수리가 전문가에 의해 이루어지지 않는 경우 제품의 수명이 감소하고 사고의 위험이 늘어날 수 있습니다. 추가 정보가 필요하신 경우 가까운 서비스 대리점에 문의하십시오.



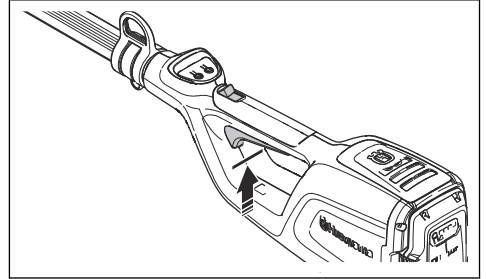
**경고:** 안전장치에 결함이 있는 제품은 절대 사용하지 마십시오. 제품의 안전장치는 이 절에 기재된 대로 점검하고 유지 보수되어야 합니다. 만약 사용자의 제품이 이 점검 사항 중에서 만족하지 않는 부분이 있다면 서비스 대리점을 찾아 수리해야 합니다.



**주의:** 장비를 서비스하고 수리하기 위해서는 특별한 교육을 받아야 합니다. 장비의 안전장치와 관련해서는 특히 그렇습니다. 만약 사용자의 장비가 아래 나열된 점검 사항 중에서 지적되는 부분이 있다면 반드시 서비스 대리점을 찾으셔야 합니다. 당사 제품을 구입하시면 당사의 전문 수리 및 서비스를 이용하실 수 있습니다. 장비를 구입한 판매점에서 서비스를 제공할 수 없는 경우에는 가장 가까운 서비스 센터의 주소를 문의하십시오.



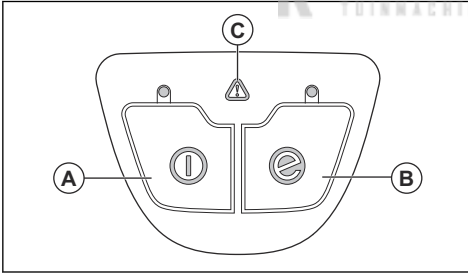
1. 로크아웃이 초기 위치에 있을 때 파워 트리거가 잠겨 있는 것을 확인하십시오.



2. 로크아웃을 당긴 후 해제하고 원래 위치로 돌아가는지 확인하십시오.

### 키패드 점검 방법

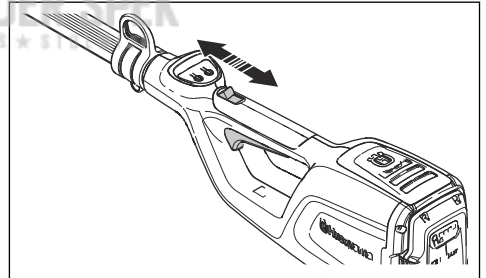
1. 시작/정지 버튼(A)을 길게 누릅니다.



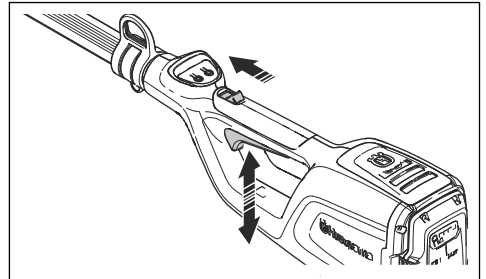
- a) LED가 켜지면 제품이 켜집니다.
- b) LED가 꺼지면 제품이 꺼집니다.
2. SavE 버튼(B)의 기능은 **SavE 기능 시작 방법 페이지의 439**를 참조하십시오.
3. 경고 표시등(C)이 켜지거나 깜박이면 **고장 수리 페이지의 441**을 참조하십시오.

### 파워 트리거 로크아웃 점검 방법

파워 트리거 로크아웃은 우연히 작동되는 것을 방지합니다. 핸들을 놓으면 파워 트리거와 파워 트리거 로크아웃이 처음 위치로 돌아갑니다.



3. 파워 트리거와 로크아웃이 자유롭게 움직이고 리턴 스프링이 올바르게 작동하는지 확인하십시오.



4. 제품을 시동합니다. **제품 시동 방법 페이지의 438**을 참조하십시오.

5. 최고 속도를 적용합니다.
6. 파워 트리거를 놓고 절단 부품이 완전히 멈추는 지 확인하십시오.

## 배터리 안전



**경고:** 제품을 사용하기 전에 다음 경고 지침을 읽으십시오.

- 권장 배터리는 BLi10입니다. *기술 정보 페이지의 442*을(를) 참조하십시오. 배터리는 소프트웨어 암호가 걸려 있습니다.
- 관련된 BLi10 제품의 전원 공급 장치로 충전할 수 있는 Husqvarna 배터리만 사용하십시오. 부상을 방지하기 위해 배터리를 다른 장치의 전원 공급 장치로 사용하지 마십시오.
- 감전의 위험이 있습니다. 배터리 단자를 열쇠, 동전, 나사 또는 기타 금속에 연결하지 마십시오. 이로 인해 배터리가 누전될 수 있습니다.
- 일회용 배터리는 사용하지 마십시오.
- 배터리의 에어 슬롯에 물체를 넣지 마십시오.
- 배터리를 직사광선, 열 또는 화염으로부터 멀리하십시오. 배터리가 화상 및/또는 화학 화상을 초래할 수 있습니다.
- 배터리가 비를 맞거나 젖지 않도록 보호하십시오.
- 배터리를 전차레인지나 고압으로부터 멀리하십시오.
- 배터리를 분해하거나 부수지 마십시오.
- 배터리가 새면 액체가 몸이나 눈에 닿지 않도록 하십시오. 액체를 만진 경우 다량의 물과 비누로 부위를 닦고 의료 지원을 받으십시오. 눈에 액체가 들어간다면 문지르지 말고 물로 최소 15분 동안 눈을 씻어내고 의료 지원을 받으십시오.
- 배터리는 -10°C~40°C(14°F~114°F)의 온도에서 사용하십시오.
- 배터리 또는 배터리 충전기를 물로 청소하지 마십시오. *제품, 배터리 및 배터리 충전기 청소 방법 페이지의 440*을(를) 참조하십시오.
- 결합이 있거나 손상된 배터리를 사용하지 마십시오.
- 배터리는 못, 나사 또는 보석과 같은 금속 물체가 닿지 않도록 보관하십시오.
- 배터리를 어린이의 손이 닿지 않는 곳에 보관하십시오.

## 배터리 충전기 안전



**경고:** 제품을 사용하기 전에 다음 경고 지침을 읽으십시오.

- 안전 지침을 준수하지 않을 경우 감전 또는 누전의 위험이 있습니다.
- 제품과 함께 제공되지 않은 배터리 충전기를 사용하지 마십시오. BLi10 배터리를 충전할 때 사용할 권장 충전기는 QC80입니다.

- 배터리 충전기 분해를 시도하지 마십시오.
- 결합이 있거나 손상된 배터리 충전기를 사용하지 마십시오.
- 전원 코드로 배터리 충전기를 들어 올리지 마십시오. 주전원 소켓에서 배터리 충전기를 분리하려면 플러그를 당겨 빼내십시오. 전원 코드를 당기지 마십시오.
- 모든 케이블 및 연결선을 물, 오일 및 날카로운 모서리로부터 멀리하십시오. 케이블이 문, 율타리 등과 같은 물체 사이에 끼지 않았는지 확인하십시오.
- 인화성 물질이나 부식성 물질 근처에서 배터리 충전기를 사용하지 마십시오. 배터리 충전기가 덮여 있지 않은지 확인하십시오. 연기 또는 불이 나는 경우에는 배터리 충전기 플러그를 분리하십시오.
- 공기가 잘 통하고 햇빛이 비치지 않는 실내에서만 배터리를 충전하십시오. 야외에서 배터리를 충전하지 마십시오. 젖어 있는 환경에서 배터리를 충전하지 마십시오.
- 배터리 충전기는 5°C~40°C(41°F~104°F)의 온도에서만 사용하십시오. 공기가 잘 통하고 건조하며 먼지가 없는 환경에서 충전기를 사용하십시오.
- 배터리 충전기의 냉각 슬롯에 물체를 넣지 마십시오.
- 배터리 충전기의 누전을 유발할 수 있으므로 충전기 단자를 금속 물체에 연결하지 마십시오.
- 손상되지 않은, 인가된 주 전원 소켓을 사용하십시오. 배터리 충전기의 코드가 파손되지 않았는지 확인하십시오. 연장 케이블을 사용하는 경우 연장 케이블이 파손되지 않았는지 확인하십시오.

## 유지 보수에 대한 안전 지침



**경고:** 제품을 유지 보수하기 전에 다음 경고 지침을 읽으십시오.

- 유지 보수, 다른 점검 또는 제품을 조립하기 전에 배터리를 제거하십시오.
- 작업자는 이 사용자 설명서에 나와있는 유지 보수 및 서비스만 수행해야 합니다. 더 큰 연장 장치의 유지 보수 및 서비스는 서비스 대리점에 문의하십시오.
- 배터리 또는 배터리 충전기를 물로 청소하지 마십시오. 강한 세제는 폴라ستيك에 손상을 줄 수 있습니다.
- 유지 보수 작업을 수행하지 않으면 제품 수명주기가 단축되고 사고 위험이 커집니다.
- 모든 서비스 및 수리 작업, 특히 제품의 안전장치에 대한 특별 교육이 필요합니다. 유지 보수를 마친 후에 이 사용자 설명서의 모든 점검 내용이 승인되지 않은 경우에는 서비스 대리점에 문의하십시오. 제품을 위한 전문 수리 및 서비스를 제공해드립니다.
- 날의 이를 올바르게 연마하여 유지하십시오. 당사의 권장 사항을 따르십시오. 또한 날 포장의 지시사항을 참고하십시오.
- 정격 예비 부품만 사용하십시오.
- 절단 부착물을 수리할 때는 항상 내구성이 강한 장갑을 사용합니다. 날은 매우 날카로우므로 쉽게 부상을 입을 수 있습니다.

## 조립

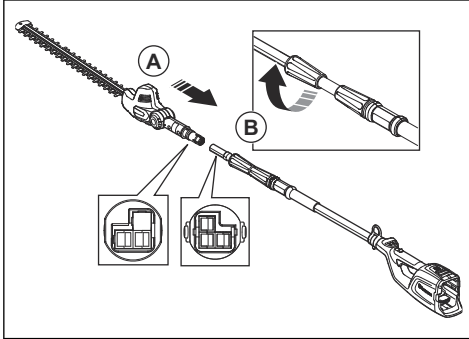
### 서문



**경고:** 제품을 조립하기 전에 다음 '안전' 장을 읽고 이해하십시오.

### 축 조립 방법

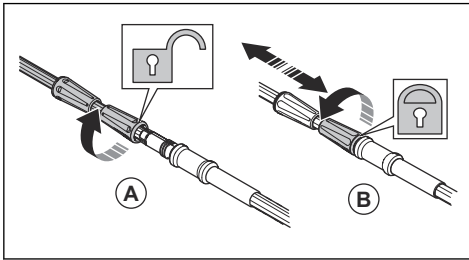
1. 전기 플러그가 정렬되어 있는지 확인하십시오.



2. 축(A)의 끝을 완전히 연결하십시오.
3. 축(B)의 전정기 헤드 측면에 있는 나사 손잡이를 조입니다.

### 축 길이 조절 방법

1. 축(A)의 배터리 하우징 쪽에 있는 나사 손잡이를 풀니다.

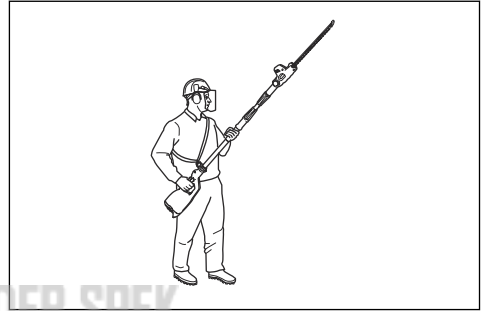


2. 축을 원하는 위치로 조정합니다.
3. 나사 손잡이(B)를 조입니다.

### 벨트 조절 방법

제품을 사용할 때는 항상 벨트를 사용하십시오. 벨트는 제품 작동 중에 최대한의 제어 기능을 제공합니다. 벨트를 착용하면 팔과 등에 피로감이 누적될 위험이 줄어듭니다.

1. 벨트를 하십시오.
2. 벨트 지지 고리에 벨트를 연결합니다.
3. 보조 고리가 대략 오른쪽 엉덩이 높이가 될 때까지 벨트 길이를 조절하십시오.



## 작동

### 서문



**경고:** 제품을 사용하기 전에 다음 '안전' 장을 읽고 이해하십시오.

### 제품을 시작하기 전에 수행할 작업

1. 작업 영역을 검사합니다. 튕겨 나갈 수 있는 물체를 제거하십시오.

2. 절단용 부품을 검사합니다. 칼날은 날카로우며 균열이 없고 손상이 없는지 확인하십시오.
3. 제품이 올바르게 작동하는지 확인합니다. 너트와 나사가 모두 단단히 조여졌는지 검사하십시오.
4. 핸들 및 안전 장치가 손상되지 않고 올바르게 부착되었는지 확인합니다. 부품이 누락되었거나 초기 사양에서 변경된 부품이 있는 제품은 작동하지 마십시오. 필요한 경우 보호용 장갑을 사용합니다.

5. 제품을 작동하기 전에 커버가 손상되지 않았고 올바르게 부착되었는지 확인하십시오.

## 배터리 충전기 연결 방법

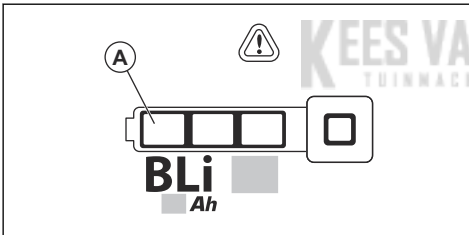
1. 배터리 충전기를 명판에 기재된 전압 및 주파수에 맞게 연결합니다.
2. 플러그를 접지된 소켓에 연결합니다. 배터리 충전기의 LED가 녹색으로 한 번 깜박입니다.

**주:** 배터리 온도가 50°C/122°F 이상이면 배터리가 충전되지 않습니다. 온도가 50°C/122°F 이상이면 배터리 충전기가 배터리를 충전하기 전에 배터리를 냉각시킵니다.

## 배터리를 배터리 충전기에 연결하는 방법

**주:** 배터리를 처음 사용하는 경우에는 배터리를 충전하십시오. 새 배터리는 30%만 충전되어 있습니다.

1. 배터리가 건조한지 확인합니다.
2. 배터리를 배터리 충전기에 연결
3. 배터리 충전기의 녹색 충전 표시등이 켜져 있는지 확인합니다. 이는 배터리가 배터리 충전기에 올바르게 연결되었음을 의미합니다.
4. 배터리의 모든 LED(A)가 켜지면 배터리가 완전히 충전된 것입니다.



5. 주전원 소켓에서 배터리 충전기를 분리하려면 플러그를 당겨 빼냅니다. 코드를 당기지 마십시오.
6. 배터리를 배터리 충전기에서 분리합니다.

**주:** 자세한 내용은 배터리 및 배터리 충전기 설명서를 참조하십시오.

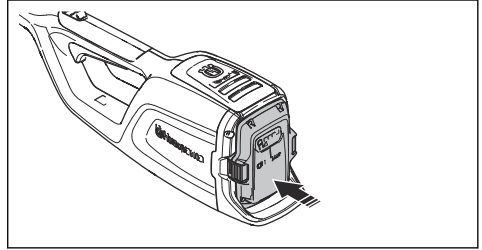
## 배터리를 제품에 연결하는 방법



**경고:** 제품에는 Husqvarna 정품 배터리만 사용하십시오.

1. 배터리가 완전히 충전되었는지 확인합니다.

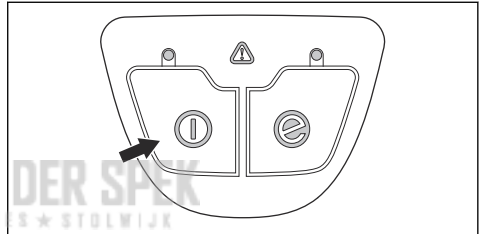
2. 배터리를 제품의 배터리 홀더에 밀어 넣으십시오. 배터리가 쉽게 홀더에 밀어 들어가야 하며, 그렇지 않은 경우 배터리가 잘못 장착된 것입니다.



3. 배터리의 하단 부분을 누르고 배터리 홀더 안으로 완전히 밀어 넣습니다. 딸깍 소리가 들리면 배터리가 제 자리에 들어가 잠긴 것입니다.
4. 래치가 올바른 위치에 고정되었는지 확인하십시오.

## 제품 시동 방법

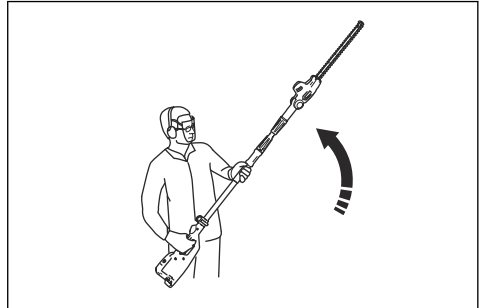
1. 시동/정지 버튼을 녹색 LED가 켜질 때까지 길게 누릅니다.



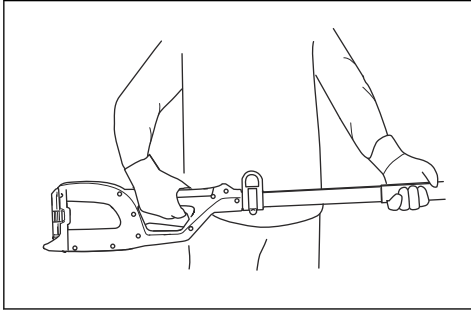
2. 파워 트리거 로크아웃을 뒷편으로 당기고 파워 트리거를 누릅니다.

## 제품 작동 방법

- 지면 근처에서 시작하여 측면을 자르면서 제품을 율타리를 따라 위로 이동하십시오.



- 안정적인 작업 위치를 위해 몸 가까이 제품을 두십시오.

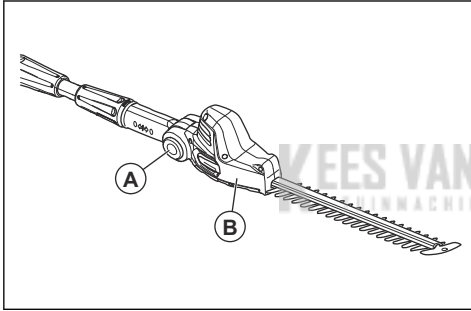


- 절단 장비의 끝이 바닥에 닿지 않게 하십시오.
- 모든 가지가 올바르게 절단될 때까지 주의해서 천천히 작업하십시오.

### 절단용 부품 각도 조절 방법

절단용 부품은 7가지 위치로 조절할 수 있습니다.

1. 제품을 정지하고 배터리를 제거하십시오.

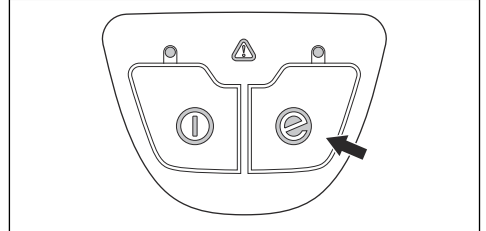


2. 하우징(B)을 꼭 잡습니다.
3. 하우징(B)의 양쪽 측면에 있는 잠금 버튼(A)을 길게 누릅니다.
4. 절단용 부품을 올바른 각도로 움직이십시오.
5. 양쪽에서 잠금 버튼(A)을 해제하십시오.
6. 절단용 부품이 제자리에 잠길 때까지 하우징(B)을 위 아래로 이동합니다.

### SavE 기능 시작 방법

이 제품에는 SavE 기능이 있습니다. SavE 기능은 배터리로부터 가장 긴 작동 시간을 제공합니다.

1. SavE 버튼을 누릅니다. 본 기능이 작동하면 LED가 켜집니다.



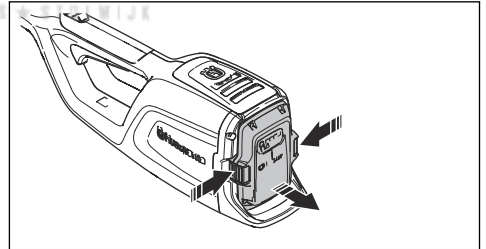
2. SavE 기능을 정지하려면 SavE 버튼을 다시 누르십시오.

### 자동 차단 기능

이 제품에는 제품을 사용하지 않을 때 제품을 정지시키는 자동 차단 기능이 있습니다. 시작/정지 표시용 녹색 LED가 꺼지고 60초 후에 제품이 정지됩니다.

### 제품 정지 방법

1. 파워 트리거를 놓으십시오.
2. 시동/정지 버튼을 녹색 LED가 꺼질 때까지 길게 누릅니다.
3. 배터리를 제품에서 분리합니다. 2개의 해제 버튼을 누르고 배터리를 분리합니다.



## 유지 보수

### 서문



**경고:** 제품의 유지 보수를 수행하기 전에 안전 장을 읽고 이해하십시오.



**경고:** 제품을 유지 보수하기 전에 항상 배터리를 분리합니다.

### 유지 보수 일정

다음은 제품에 반드시 행해야 하는 유지 보수 단계 목록입니다.

유지 보수	사용 전	매주	매월
제품의 외부 부품을 청소하십시오.	X		
시작 및 정지 스위치가 올바르게 작동하고 손상되지 않았는지 검사하십시오.	X		
파워 트리거와 파워 트리거 로코아웃 기능이 안전상 올바르게 작동하는지 확인하십시오.	X		
모든 제어 장치가 작동하고 손상되지 않았는지 확인하십시오.	X		
절단 날과 절단기 보호대에 균열이 없고 손상되지 않았는지 확인합니다. 균열이 있거나 충격을 받았다면 절단 날 또는 절단기 보호대를 교체합니다.	X		
절단 날이 휘거나 손상된 경우에는 교체하십시오.	X		
나사와 너트가 단단히 조여졌는지 확인합니다.	X		
배터리가 손상되지 않았는지 확인하십시오.	X		
배터리가 충전되었는지 확인합니다.	X		
배터리 충전기가 손상되지 않았는지 확인하십시오.	X		
절단 날을 고정하고 있는 나사가 올바르게 체결되어 있는지 확인합니다.		X	
배터리와 제품 사이의 연결을 점검합니다. 배터리와 배터리 충전기 사이의 연결을 점검합니다.			X

## 배터리 및 배터리 충전기 검사 방법

1. 배터리에 손상(예: 균열)이 있는지 검사하십시오.
2. 배터리 충전기에 손상(예: 균열)이 있는지 검사하십시오.
3. 배터리 충전기의 연결 코드에 손상이 없고 내부에 균열이 없는지 확인하십시오.

## 제품, 배터리 및 배터리 충전기 청소 방법

1. 사용 후 마른 천으로 제품을 청소합니다.
2. 마른 천으로 배터리 및 배터리 충전기를 청소합니다. 배터리 가이드 트랙을 청결히 관리합니다.
3. 배터리를 배터리 충전기 또는 제품에 넣기 전에 배터리의 단자와 배터리 충전기가 깨끗한지 확인합니다.

## 절단 날 검사 방법

1. 제품 사용 전후에 부식 방지 세척제를 사용하여 날에서 원하지 않는 물질을 제거하십시오.
2. 절단 날의 가장자리에 손상 및 변형이 있는지 검사하십시오.
3. 파일을 사용하여 절단 날의 거친 부분을 제거하십시오.

4. 절단 날이 자유롭게 움직이는지 확인하십시오.

## 날 청소 및 윤활 방법

1. 제품 사용 전후에 날에서 원하지 않는 물질을 제거하십시오.
2. 장기간 보관하기 전에는 날을 윤활합니다

**주:** 권장되는 서척제와 윤활제에 대해서는 서비스 대리점에 문의하십시오.

## 기어 윤활 방법

승인된 서비스 대리점에서 기어를 분해한 후 기어 하우징에 그리스를 도포하십시오.

- Husqvarna 특수 그리스를 사용하십시오. 권장되는 그리스에 대해서는 서비스 대리점에 문의하십시오.
- 소량의 특수 고품질 그리스만 사용하십시오.



**주의:** 기어 하우징을 완전히 채우지 마십시오.



## 고장 수리

### 키패드

LED 화면	발생 가능한 결합	가능한 해결 방법
오류 LED가 깜박입니다.	과부하	절단용 부품이 자유롭게 움직일 수 없습니다. 절단 부착물을 뺍니다.
제품을 시동할 수 없음.	배터리 커넥터가 오염되었습니다.	압축 공기나 부드러운 브러시로 배터리 커넥터를 청소하십시오.
오류 LED가 빨간색으로 켜집니다.	제품에 대한 정비를 수행해야 합니다.	서비스 대리점에 문의하십시오.

### 배터리

LED 디스플레이	발생 가능한 결합	가능한 조치
녹색 LED가 깜박임.	배터리 전압이 부족합니다.	배터리를 충전하십시오.
오류 LED가 깜박입니다.	주변 온도가 너무 낮거나 높습니다.	배터리는 -10°C~40°C(14°F~104°F)의 온도에서 사용하십시오.
	전압이 너무 높습니다.	주전원 전압이 제품의 명판에 기재된 전압과 일치하는지 확인하십시오. 배터리를 배터리 충전기에서 분리합니다.
오류 LED가 켜져 있습니다.	전압 차가 너무 큼니다(1V).	서비스 대리점에 문의하십시오.

### 배터리 충전기

문제	발생 가능한 결합	가능한 해결 방법
적색 오류 LED가 깜박임	주변 온도가 너무 낮거나 높습니다.	배터리 충전기는 5°C~40°C(41°F~104°F)의 온도에서 사용하십시오.
적색 오류 LED가 켜짐	셀 차이(1V)가 너무 큼니다.	서비스 대리점에 문의하십시오.

## 운송, 보관 및 폐기

### 운반 및 보관

- 제공된 리튬 이온 배터리는 위험 물질 규제를 준수합니다.
- 제삼자나 운송 중개인에 의해 이루어지는 상용 운송에 대해서는 포장 및 라벨에 대한 특수 요구사항을 준수하십시오.
- 제품을 보내기 전에 위험한 물건에 대한 특별한 교육을 받은 사람에게 문의하십시오. 모든 해당 국가 규정을 준수하십시오.
- 배터리를 패키지에 넣을 때 개방된 접점에 테이프를 사용하십시오. 배터리가 움직이지 않도록 패키지에 뽁뽁하게 넣으십시오.
- 보관하거나 운반할 때 항상 배터리를 분리합니다.
- 건조하고 습기 및 서리가 없는 공간에 배터리와 배터리 충전기를 보관하십시오.
- 정전기가 발생할 수 있는 장소에 배터리를 보관하지 마십시오. 배터리를 금속 상자에 보관하지 마십시오.
- 온도가 5°C~25°C(41°F~77°F) 사이이고 햇빛이 비치지 않는 곳에 배터리를 보관하십시오.

- 온도가 5°C~45°C(41°F~113°F) 사이이고 햇빛이 비치지 않는 곳에 배터리 충전기를 보관하십시오.
- 주변 온도가 5°C~40°C(41°F~104°F)일 때만 배터리 충전기를 사용하십시오.
- 장기간 보관하기 전에 배터리를 30%~50% 충전하십시오.
- 배터리 충전기를 폐쇄되고 건조한 공간에 보관하십시오.
- 보관 중에는 배터리를 배터리 충전기에서 멀리 보관하십시오. 어린이 및 기타 인가되지 않은 사람이 장비를 만지지 못하게 하십시오. 잠글 수 있는 공간에 장비를 보관하십시오.
- 제품을 장기간 보관하기 전에 청소하고 전체 서비스를 수행하십시오.

- 운반 및 보관 중에 부상이나 제품의 손상을 방지하려면 제품의 운송용 보호대를 사용하십시오.
- 제품을 안전하게 고정하여 운반하십시오.

## 배터리, 배터리 충전기 및 제품의 폐기

제품 및 제품 포장의 기호는 본 제품을 가정용 폐기물로 취급해서는 안 됨을 의미합니다. 전기 및 전자 장비 재활용 처리장에서 재활용하십시오. 이는 환경 및 사람에 대한 손상을 방지하는 데 도움이 됩니다.

제품 재활용 방법에 대한 자세한 내용은 현지 당국, 국내 폐기물 서비스 또는 대리점에 문의하십시오.

## 기술 정보

### 기술 정보

	<b>120ITK4-H</b>
<b>모터</b>	
모터 유형	PMDC 36V
<b>중량</b>	
배터리를 제외한 중량(kg)	4.6
배터리 포함 무게(기본 배터리 BLi10), kg	5.3
<b>소음 배출<sup>73</sup></b>	
소음 출력 수준, 측정 dB(A)	91.32
소음 출력 수준, 보장 L <sub>WA</sub> dB(A)	94
<b>소음 수준<sup>74</sup></b>	
EN 62841-1 및 EN 62841-4-2에 의거하여 측정된 작업자 청각에서의 음압 수준, dB(A)	81.3
<b>진동 수준<sup>75</sup></b>	
진동 수준(a <sub>h</sub> ), 전면/후면 핸들, m/s <sup>2</sup> EN 62841-1 및 EN 62841-4-2에 의거	1.223/0.816
<b>절단 장비</b>	
유형	양면
날 길이, mm	500
SavE 모드의 날 속도 절단 횟수/분	2250

<sup>73</sup> EC 지침 2000/14/EC에 의거 소음 출력(L<sub>WA</sub>)으로 측정된 소음 배출입니다. 보장 소음 출력과 측정된 소음 출력 간의 차이는 측정 결과의 분산과 Directive 2000/14/EC에 따른 동일 모델의 각기 다른 제품 간의 편차가 보장 소음 출력에 포함되어 있기 때문에 나타납니다.

<sup>74</sup> 등가 음압 수준에 대한 일반적인 통계 분산은 표준 편차 3dB(A)입니다.

<sup>75</sup> 진동 수준에 대해 보고된 데이터는 일반적인 통계 분산(표준 편차)인 1,5 m/s<sup>2</sup>입니다.

규정된 총 진동 값은 표준 시험 방식에 따라 측정되었으며 다른 공구와 비교하는 데 사용할 수 있습니다.

선언된 총 진동 값은 또한 예비 노출 평가에 사용할 수도 있습니다.

	120ITK4-H
SavE 모드가 아닌 경우의 날 속도 절단 횟수/분	2800

## 인가된 배터리 충전기

배터리 충전기	QC80
입력 전압, V	100-240
주파수, Hz	50-60
전력, W	100
출력 전압, V DC/A	36/2

## 제품에 대해 인가된 배터리

배터리	BLI10
유형	리튬이온
배터리 용량(Ah)	배터리 등급 그림을 참조하십시오.
공칭 전압, V	36
중량(kg)	0.7

Kees van der Spek  
TUINMACHINES \* STOLWIJK

### EC 준수 선언문

**Husqvarna AB**(주소: SE-561 82 Huskvarna, Sweden, 전화: +4636146500)에서는 2021년도 일련번호부터 그 이후 폴 원에 재단기 **Husqvarna 120ITK4-H** (연도는 명판에 명시되어 있으며 일련번호가 뒤따름)가 다음의 위원회 지침에 포함된 요건을 준수함을 당사의 전적인 책임 아래 선언합니다.

- 2006년 5월 17일 "기계류 관련" **2006/42/EC**
- 2014년 2월 26일 "전자기 호환성 관련" **2014/30/EU**.
- 2011년 6월 8일 "특정 위험 물질 사용에 관한 제한" **2011/65/EU**

다음 표준이 적용되었습니다.

**EN 62841-1:2015, EN 62841-4-2:2019, EN 55014-1:2017+A11, EN 55014-2:2015, CISPR12:2007+A1 2009, EN IEC 63000:2018.**

TÜV Rheinland LGA Products GmbH, Tillystrasse 2, D-90431 Nuernberg, Germany에서는 Husqvarna AB를 대신하여 자발적인 형식 검사를 수행하였습니다. 인증서 번호: **AM 50491653 0001**.

Huskvarna 2020-12-30



Pär Martinsson, 개발 이사(승인된 Husqvarna AB 담당자 및 기술 문서 책임자)

---

## Kandungan

---

Pengenalan.....	445	Pencarisilapan.....	458
Keselamatan.....	447	Pengangkutan, penyimpanan dan pembuangan.....	459
Pemasangan.....	454	Data teknikal.....	460
Pengendalian.....	455	Pengisytiharan Pengukuran EC.....	462
Penyelenggaraan.....	457		

---

## Pengenalan

---

### Perihal produk

Husqvarna 120iTK4-H ialah pemangkas tanaman pagar galah teleskopik ber bateri.

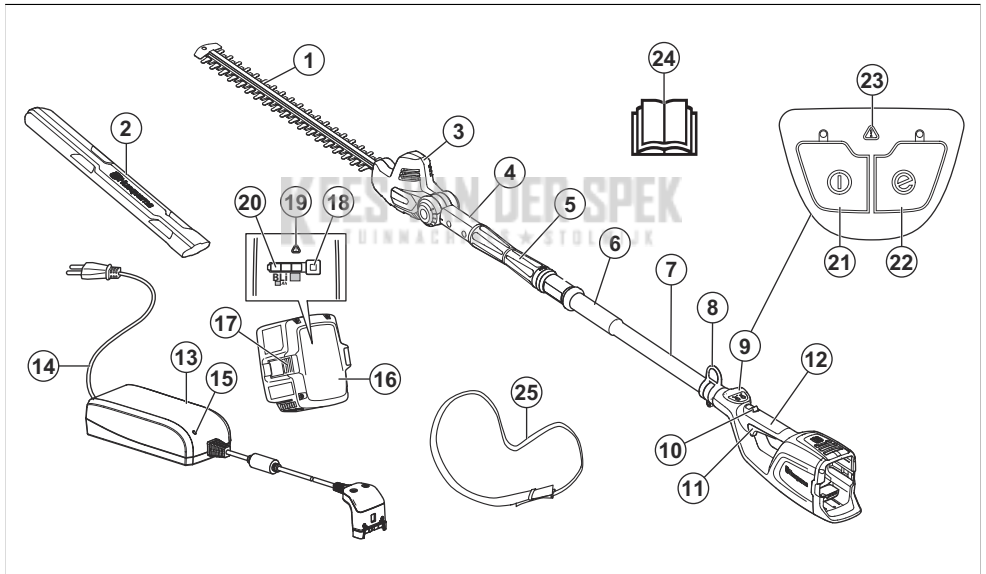
Kami sedang meneruskan usaha untuk meningkatkan keselamatan dan kecekapan anda semasa

mengendalikan produk ini. Rujuk dengan pembekal servis anda untuk maklumat lanjut.

### Tujuan kegunaan

Gunakan produk untuk memotong dahan dan ranting. Jangan gunakan produk pada tugas lain.

### Gambaran keseluruhan produk



- |                               |                                 |
|-------------------------------|---------------------------------|
| 1. Bilah                      | 12. Pemegang belakang           |
| 2. Pengadang pengangkutan     | 13. Pengecas bateri             |
| 3. Perumah                    | 14. Kord                        |
| 4. Pemegang pisah kedudukan   | 15. Kuasa dihidupkan/LED Amaran |
| 5. Fungsi teleskopik          | 16. Bateri                      |
| 6. Pemegang hadapan           | 17. Butang keluarkan bateri     |
| 7. Aci                        | 18. Butang penunjuk bateri      |
| 8. Cangkuk sokongan abah-abah | 19. LED amaran                  |
| 9. Pad kekunci                | 20. LED penunjuk bateri         |
| 10. Penyekat picu kuasa       | 21. Butang Mula/Henti           |
| 11. Picu kuasa                | 22. Butang Save                 |

- 23. LED amaran
- 24. Manual pengendali
- 25. Abah-abah

## Simbol pada produk ini



**AMARAN!** Produk ini adalah berbahaya. Kecelakaan atau kematian boleh berlaku kepada pengendali atau orang sekeliling jika produk tidak digunakan dengan teliti dan betul. Untuk mengelakkan kecederaan kepada pengendali atau orang sekeliling, baca dan patuhi semua arahan keselamatan dalam manual pengendali. Sila baca manual pengendali dengan teliti dan pastikan bahawa anda memahami arahan sebelum penggunaan.



Gunakan topi keledar pelindung di lokasi yang objek mungkin menimpa anda. Gunakan pelindung telinga yang diluluskan. Gunakan pelindung mata yang diluluskan.



Gunakan sarung tangan pelindung yang diluluskan.



Produk ini mematuhi arahan EC yang berkenaan.



Voltan terkadar, V



Arus langsung.



Jangan dedahkan kepada hujan.



Jauhkan tangan daripada bilah.



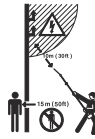
Fungsi teleskopik.



Fungsi pisah.



Putar ke kiri untuk melonggarkan tombol, putar ke kanan untuk mengetatkan tombol.



Produk ini tidak mempunyai penebatan. Jika produk bersentuhan atau berada terlalu dekat dengan kabel elektrik voltan tinggi, ini boleh mengakibatkan maut atau kecederaan teruk. Tenaga elektrik boleh melompat dari satu titik ke titik yang lain melalui pengarkaan. Semakin tinggi voltan, semakin besar jarak elektrik boleh melompat. Arus elektrik juga boleh mengalir melalui ranting dan objek lain, terutamanya jika ia basah. Kekalkan jarak sekurang-kurangnya 10 m setiap masa di antara produk dengan kabel elektrik voltan tinggi dan/atau semua objek yang menyentuhnya. Jika anda perlu melakukan kerja dalam jarak selamat ini, anda hendaklah menghubungi syarikat bekalan elektrik yang berkaitan bagi memastikan tenaga elektrik dimatikan sebelum anda memulakan kerja. Kekalkan jarak minimum 15 m dari orang atau haiwan semasa operasi.

yyyywwxxxx

Penarafan menunjukkan nombor siri. **yyyy** ialah tahun pengeluaran, dan **ww** ialah minggu pengeluaran.

**Nota:** Simbol/pelekat lain pada produk merujuk kepada keperluan pensijilan untuk sesetengah pasaran.

## Simbol pada bateri dan/atau pada pengeras bateri



Kitar semula produk ini di stesen kitar semula peralatan elektrik dan elektronik. (Terpakai untuk Eropah sahaja)



Transformer pasti selamat.



Guna dan simpan pengeras bateri di dalam bangunan sahaja.



Penebatan ganda.

## Liabiliti produk

Seperti yang dirujuk dalam undang-undang liabiliti produk, kami tidak bertanggungjawab atas kerosakan yang disebabkan oleh produk kami jika:

- produk tidak dibaiki dengan betul.
- produk dibaiki dengan bahagian yang bukan daripada pengilang atau tidak diluluskan oleh pengilang.

- produk mempunyai aksesori yang bukan daripada pengilang atau tidak diluluskan oleh pengilang.
- produk tidak dibaiki di pusat servis yang diluluskan atau oleh pihak berkuasa yang diluluskan.

---

## Keselamatan

---

### Takrifan keselamatan

Amaran, awasan dan nota digunakan untuk menunjukkan bahagian yang amat penting dalam manual.



**AMARAN:** Digunakan jika terdapat risiko kecederaan atau kematian kepada pengendali atau orang sekeliling jika arahan dalam manual tidak dipatuhi.



**AWAS:** Digunakan jika terdapat kerosakan kepada produk, bahan lain atau kawasan berhampiran jika arahan dalam manual tidak dipatuhi.

**Nota:** Digunakan untuk memberikan maklumat lanjut yang perlu dalam situasi tertentu.

### Amaran keselamatan alat berkuasa am



**AMARAN:** Baca semua amaran keselamatan dan semua arahan. Kegagalan mematuhi semua amaran dan arahan mungkin menyebabkan kejutan elektrik, kebakaran dan/atau kecederaan serius.

**Nota:** Simpan semua amaran dan arahan untuk rujukan masa hadapan. Istilah "alat berkuasa" dalam amaran merujuk kepada alat berkuasa beroperasi sesalur (dengan kord) atau alat berkuasa beroperasi bateri (tanpa kord).

### Keselamatan kawasan kerja

- **Pastikan kawasan kerja bersih dan terang.** Kawasan yang bersepah atau gelap mengundang kemalangan.
- **Jangan menggunakan alat berkuasa dalam persekitaran mudah meletup, seperti dengan kehadiran cecair mudah terbakar, gas atau habuk.** Alat berkuasa menghasilkan percikan yang mungkin menghidupkan api daripada debu atau gas.
- **Pastikan kanak-kanak dan orang lain berada jauh semasa anda menggunakan alat berkuasa.**

Gangguan boleh menyebabkan anda hilang kawalan.

### Keselamatan elektrik

- **Plag alat berkuasa perlu sepadan dengan outlet. Jangan sesekali mengubah suai plag. Jangan gunakan plag penyesuai dengan alat berkuasa yang telah dibumikan.** Plag yang tidak diubah suai dan outlet yang sepadan akan mengurangkan risiko kejutan elektrik.
- **Elakkan badan daripada terkena permukaan yang telah dibumikan, seperti paip, radiator, dan peti sejuk.** Risiko terkena kejutan elektrik akan meningkat sekiranya tubuh anda telah dibumikan.
- **Jangan dedahkan alat berkuasa kepada hujan atau keadaan basah.** Air yang memasuki alat berkuasa akan meningkatkan risiko kejutan elektrik.
- **Jangan salah gunakan kord. Jangan menggunakan kord untuk mengangkut, menarik atau menarik plag alat berkuasa. Jauhi kord daripada haba, minyak, benda tajam atau bahagian yang bergerak.** Kord yang rosak atau tersimpul meningkatkan risiko kejutan elektrik.
- **Apabila menggunakan alat berkuasa di kawasan luar, gunakan kord sambungan yang sesuai untuk penggunaan di luar.** Penggunaan kord yang sesuai dengan kawasan luar mengurangkan risiko kejutan elektrik.
- **Jika alat berkuasa terpaksa digunakan di kawasan lembap, gunakan bekalan yang dilindungi peranti arus sisa (RCD).** Penggunaan RCD mengurangkan risiko kejutan elektrik.

### Keselamatan peribadi

- **Sentiasa berjaga-jaga, berhati-hati dengan kerja dan gunakan akal ketika menggunakan alat berkuasa. Jangan gunakan alat berkuasa apabila anda penat atau di bawah pengaruh dadah, alkohol atau ubat.** Sesaat leka semasa menggunakan alat berkuasa mungkin menyebabkan kecederaan diri yang serius.
- **Gunakan kelengkapan pelindung peribadi. Sentiasa gunakan pelindung mata.** Kelengkapan pelindung seperti topeng habuk, kasut keselamatan tidak gelincir, topi keras, atau pelindung telinga yang digunakan dalam keadaan yang sesuai akan mengurangkan kecederaan diri.

- **Elakkan kuasa dihidupkan secara tidak sengaja. Pastikan suis berada pada kedudukan MATI sebelum menyambung ke sumber kuasa dan/atau pek bateri, mengangkat atau membawa alat.** Membawa alat berkuasa dengan jari anda pada suis atau alat kuasa bertenaga yang suisnya dihidupkan akan mengundang kecederaan.
- **Alihkan sebarang kunci penyelarasan atau perengkuh sebelum menghidupkan alat berkuasa.** Perengkuh atau kunci yang melekat pada bahagian alat berkuasa yang berputar mungkin akan menyebabkan kecederaan diri.
- **Jangan menjangkau tinggi. Pastikan anda berpijak dengan kukuh dan seimbang setiap masa.** Ini memberi anda kawalan yang lebih baik terhadap alat berkuasa dalam situasi tidak diduga.
- **Pakai pakaian sesuai. Jangan pakai baju yang longgar atau barang kemas. Jauhi rambut dan pakaian daripada bahagian yang bergerak.** Pakaian yang berjurai, barang kemas atau rambut panjang boleh tersekat dalam bahagian yang bergerak.
- **Jika peranti disediakan untuk sambungan peralatan penyedut dan pengumpul habuk, pastikan peranti disambung dan digunakan dengan betul.** Penggunaan pengumpul habuk boleh mengurangkan bahaya berkaitan habuk.
- **Jangan biarkan kebiasaan daripada kerap menggunakan alat menjadikan anda lalai dan mengabaikan prinsip keselamatan alat.** Satu tindakan cuai boleh menyebabkan kecederaan teruk dalam sekelip mata.
- **Penghasilan getaran semasa penggunaan sebenar alat berkuasa boleh berbeza-beza daripada jumlah nilai yang dinyatakan bergantung pada cara alat digunakan.** Pengendali haruslah mengenal pasti langkah keselamatan untuk melindungi diri mereka berdasarkan anggaran pendedahan dalam keadaan penggunaan sebenar (dengan mengambil kira semua bahagian kitaran pengendalian seperti masa ketika alat dihentikan dan ketika alat melahu selain picu).

## Penggunaan dan penjagaan alat berkuasa

- **Jangan menggunakan paksaan pada alat berkuasa. Gunakan alat berkuasa yang betul untuk kerja anda.** Alat berkuasa yang betul adalah lebih berkesan dan selamat seperti mana direka bentuk.
- **Jangan menggunakan alat berkuasa jika suis tidak dapat menghidupkan atau mematikannya.** Sebarang alat berkuasa yang tidak dapat dikawal dengan suis adalah berbahaya dan mesti dibaiki.
- **Cabut plag daripada sumber kuasa dan/atau pek bateri daripada alat berkuasa sebelum membuat sebarang pelarasan, menukar aksesori atau menyimpan alat berkuasa.** Langkah keselamatan pencegahan ini mengurangkan risiko menghidupkan alat berkuasa secara tidak sengaja.
- **Simpan alat berkuasa yang melahu jauh daripada kanak-kanak dan jangan benarkan orang yang tidak biasa dengan alat berkuasa atau dengan arahan ini**

untuk menggunakannya. Alat berkuasa adalah berbahaya di tangan pengguna yang tidak mahir.

- **Menyenggara alat berkuasa. Periksa ketidaktajaran atau ikatan bahagian yang bergerak, bahagian pecah dan keadaan lain yang mungkin memberikan kesan kepada operasi alat berkuasa. Jika rosak, pastikan alat berkuasa dibaiki sebelum digunakan.** Banyak kemalangan disebabkan penyelenggaraan alat berkuasa yang tidak betul.
- **Pastikan alat pemotong sentiasa tajam dan bersih.** Alat pemotong yang dijaga rapi dengan hujung pemotong tajam sukar terikat dan lebih mudah dikawal.
- **Gunakan alat berkuasa, aksesori dan bahagian lain dll. menurut arahan ini, dengan mengambil kira keadaan kerja dan kerja yang perlu dilaksanakan.** Penggunaan alat berkuasa untuk operasi yang berbeza daripada fungsi asalnya mungkin boleh membahayakan.
- **Pastikan pemegang dan permukaan pemegang kering, bersih serta tiada minyak dan gris.** Pemegang dan permukaan pegangan yang licin tidak membolehkan pengendalian dan kawalan alat yang selamat dalam situasi yang tak terduga.

## Penggunaan dan penjagaan alat bateri

- **Hanya cas semula dengan pengecas yang ditentukan oleh pengilang.** Pengecas yang sesuai untuk satu jenis pek bateri mungkin mewujudkan risiko kebakaran apabila digunakan dengan pek bateri lain.
- **Hanya gunakan alat berkuasa dengan pek bateri ditetapkan yang khusus.** Penggunaan pek bateri lain mungkin mewujudkan risiko kecederaan dan kebakaran.
- **Apabila pek bateri tidak digunakan, jauhi pek bateri daripada objek logam lain seperti klip kertas, syiling, kunci, paku, skru atau objek logam kecil lain yang boleh membuat sambungan dari satu terminal ke terminal lain.** Perbuatan memintas terminal bateri mungkin menyebabkan keletakan atau kebakaran.
- **Dalam keadaan salah guna, cecair mungkin terkeluar dari bateri; elakkan daripada terkena cecair.** Jika terkena secara tidak sengaja, bilas dengan air. Jika cecair terkena mata, minta bantuan perubatan tambahan. Cecair yang terkeluar dari bateri mungkin menyebabkan keradangan atau keletakan.
- **Jangan gunakan pek bateri atau alat yang rosak atau yang telah diubah suai.** Bateri yang rosak atau diubah suai mungkin mempamerkan tindakan luar jangkaan yang boleh menyebabkan kebakaran, letupan atau risiko kecederaan.
- **Jangan dedahkan pek bateri atau alat kepada api atau suhu melampau.** Pendedahan kepada api atau suhu yang melebihi 130 °C / 265 °F boleh menyebabkan letupan.
- **Ikut semua arahan pengecasan dan jangan cas pek bateri atau alat di luar julat suhu yang dinyatakan dalam arahan.** Pengecasan yang tidak betul atau



pada suhu di luar julat yang ditentukan mungkin akan merosakkan bateri dan meningkatkan risiko kebakaran.

## Servis

- **Pastikan alat berkuasa anda diservis oleh orang yang berkelakuan menggunakan alat ganti sama sahaja.** Ini akan memastikan keselamatan alat berkuasa akan terjamin.
- **Jangan servis pek bateri yang rosak.** Tindakan menservis pek bateri hendaklah hanya dilakukan oleh pengeluar atau pembekal servis yang diluluskan.

## Arahan keselamatan untuk pemangkas tanaman pagar

- **Jauhkan semua anggota badan anda dari bilah. Jangan keluarkan bahan potong atau memegang bahan yang hendak dipotong semasa bilah sedang bergerak.** Bilah akan terus bergerak selepas suis dimatikan. Sesaat leka semasa menggunakan pemangkas tanaman pagar mungkin menyebabkan kecederaan diri yang serius.
- **Bawa pemangkas tanaman pagar menggunakan pemegang dengan bilah telah berhenti bergerak dan berhati-hati agar tidak mengendalikan sebarang suis kuasa.** Membawa pemangkas tanaman pagar dengan betul akan mengurangkan risiko menghidupkan pemangkas secara tidak sengaja dan boleh menyebabkan kecederaan peribadi disebabkan bilah.
- **Apabila mengangkut atau menyimpan pemangkas tanaman pagar, sentiasa muatkan penutup bar panduan.** Pengendalian pemangkas tanaman pagar yang betul akan mengurangkan risiko kecederaan diri daripada bilah.
- **Apabila mengosongkan bahan yang tersekat atau menservis unit, pastikan semua suis kuasa dimatikan dan kord kuasa tidak disambungkan.** Penggerakan luar jangkaan pemangkas tanaman pagar semasa membersihkan bahan yang tersekat atau penservisan boleh menyebabkan kecederaan diri yang serius.
- **Pegang pemangkas tanaman pagar pada permukaan pemegang berinsulasi sahaja, kerana bilah mungkin bersentuhan dengan wayar tersembunyi atau kordnya.** Bilah yang terkena wayar "hidup" boleh "menghidupkan" bahagian logam pemangkas tanaman pagar yang terdedah dan memberikan renjatan elektrik kepada pengendali.
- **Jauhkan semua kord kuasa dan kabel dari kawasan pemotongan.** Kord kuasa atau kabel tersembunyi dalam pagar atau pokok renek dan boleh dipotong secara tidak sengaja oleh bilah.
- **Jangan gunakan pemangkas tanaman pagar dalam keadaan cuaca yang buruk, terutamanya apabila terdapat risiko kilat.** Ini mengurangkan risiko dipanah kilat.
- **Untuk mengurangkan risiko renjatan, jangan sekali-kali menggunakan pemangkas tanaman pagar yang**

**boleh dipanjangkan berdekatan mana-mana saluran kuasa elektrik.** Sentuhan dengan atau penggunaan berdekatan talian elektrik boleh menyebabkan kecederaan serius atau renjatan elektrik yang menyebabkan kematian.

- **Sentiasa gunakan kedua-dua tangan semasa mengendalikan pemangkas tanaman pagar yang dipanjangkan.** Pegang pemangkas tanaman pagar yang boleh dipanjangkan dengan kedua-dua tangan untuk mengelakkan kehilangan kawalan.
- **Sentiasa gunakan perlindungan kepala semasa mengendalikan pemangkas tanaman pagar yang boleh dipanjangkan apabila digunakan pada jarak di atas kepala.** Puing yang terjatuh boleh mengakibatkan kecederaan diri yang serius.

## Arahan keselamatan umum



**AMARAN:** Baca arahan amaran berikut sebelum anda menggunakan produk ini.

- Sentiasa keluarkan bateri untuk mengelakkan produk dihidupkan secara tidak sengaja.
- Produk ini ialah alat yang berbahaya jika anda tidak berhati-hati atau jika anda menggunakan produk dengan betul. Produk ini boleh menyebabkan kecederaan serius atau kematian kepada pengendali dan orang lain.
- Jangan gunakan produk jika ia berubah daripada spesifikasi awal. Jangan ubah bahagian produk tanpa kelulusan daripada pengeluar. Hanya gunakan bahagian yang diluluskan oleh pengeluar. Kecelakaan atau kematian mungkin berlaku akibat penyelenggaraan yang salah.
- Lakukan pemeriksaan produk sebelum penggunaan. Lihat, *Peranti keselamatan pada produk pada halaman 452* dan *Penyelenggaraan pada halaman 457*. Jangan gunakan produk yang rosak. Lakukan pemeriksaan keselamatan, penyelenggaraan dan arahan servis yang diterangkan dalam manual ini.
- Kanak-kanak seharusnya diawasi agar mereka tidak bermain dengan produk. Jangan benarkan kanak-kanak atau orang lain yang tidak dilatih dalam penggunaan produk dan/atau bateri untuk menggunakan atau menservis produk. Undang-undang tempatan mungkin menetapkan umur pengguna.
- Simpan produk dalam kawasan yang dikunci untuk menghalang akses untuk kanak-kanak atau orang yang tidak diluluskan.
- Simpan produk di tempat yang jauh dari jangkauan kanak-kanak.
- Reka bentuk produk tidak boleh diubah suai sama sekali tanpa keizinan pengilang. Sentiasa gunakan aksesori asli. Pengubahsuaian dan/atau aksesori yang tidak dibenarkan boleh menyebabkan kecederaan diri yang serius atau kematian pengendali dan orang lain.

---

**Nota:** Peraturan Negara atau Setempat boleh mengawal penggunaan. Patuhi peraturan yang ditetapkan.

---

## Arahan keselamatan untuk pengendalian

---



**AMARAN:** Baca arahan amaran berikut sebelum anda menggunakan produk ini.

---

- Jika anda menghadapi situasi yang anda kurang pasti tindakan seterusnya, anda hendaklah bertanya kepada pakar. Hubungi pengedar atau bengkel servis anda. Elakkan semua penggunaan yang anda anggap di luar keupayaan anda.
- Jangan gunakan produk jika anda penat, semasa di bawah pengaruh alkohol atau dadah, ubat atau apa-apa yang boleh mempengaruhi penglihatan, kesedaran, koordinasi atau pertimbangan.
- Bekerja semasa cuaca buruk meletihkan dan membawa risiko tambahan. Disebabkan risiko tambahan, anda tidak disyorkan untuk menggunakan mesin semasa cuaca yang sangat buruk, contohnya sewaktu kabut tebal, hujan lebat, angin kuat, terlalu sejuk, risiko petir dan sebagainya.
- Alat pemotong yang rosak boleh meningkatkan risiko kemalangan.
- Jangan benarkan kanak-kanak menggunakan atau berhampiran dengan produk. Oleh sebab produk ini mudah dihidupkan, kanak-kanak mungkin dapat menghidupkannya jika mereka tidak diawasi. Ini bermakna terdapat risiko kecederaan parah. Tanggalkan bateri jika produk tidak diawasi.
- Pastikan tiada orang atau haiwan berada dalam lingkungan 15 meter semasa anda bekerja. Jika beberapa orang pengendali bekerja di kawasan yang sama, sila pastikan jarak keselamatan yang sekurang-kurangnya 15 meter. Jika tidak, terdapat risiko kecederaan yang serius. Hentikan produk dengan serta-merta jika terdapat orang yang mendekati. Jangan hayun produk tanpa terlebih dahulu memeriksa kawasan di belakang anda untuk memastikan tiada sesiapa berada di dalam zon keselamatan.
- Pastikan individu, haiwan atau perkara lain tidak mengganggu anda mengawal produk atau mereka tidak bersentuhan dengan alat pemotong atau objek longgar yang dipelantingkan oleh alat pemotong. Bagaimanapun, jangan gunakan produk melainkan anda dapat meminta bantuan sekiranya berlaku kemalangan.
- Sentiasa periksa kawasan kerja. Keluarkan semua objek longgar seperti batu, serpihan kaca, paku, wayar keluli, tali dan lain-lain yang mungkin terkeluar atau terlitil di sekeliling sambungan pemotong.
- Pastikan anda boleh bergerak dan berdiri dengan selamat. Periksa kawasan di sekeliling anda untuk

mengesan halangan (akar, batu, dahan, parit dan lain-lain) sekiranya anda tiba-tiba perlu bergerak. Berhati-hati semasa anda bekerja di permukaan bercerun.

- Pastikan kedudukan yang seimbang dan kaki kejap di tanah sepanjang masa. Jangan menjangkau tinggi.
- Nyahaktifkan produk sebelum anda bergerak ke kawasan lain. Pasang pengadang pengangkutan apabila produk tidak digunakan.
- Jangan letakkan produk kecuali anda telah menyahaktifkannya. Jangan tinggalkan produk tanpa pengawasan setelah produk dihidupkan.
- Keluarkan bateri sebelum anda menyerahkan produk kepada orang lain.
- Pastikan pakaian atau bahagian badan anda tidak terkena alat pemotong apabila produk diaktifkan.
- Jika ada sesuatu yang tersumbat di dalam alat pemotong semasa anda mengendalikan produk, hentikan dan nyahaktifkan produk. Pastikan alat pemotong berhenti sepenuhnya. Tanggalkan bateri sebelum anda membersihkan, memeriksa atau membaiki produk dan/atau peralatan memotong.
- Pastikan tangan dan kaki anda jauh daripada alat pemotong sehingga alat telah berhenti sepenuhnya apabila produk dinyahaktifkan.
- Berhati-hati terhadap tunggul cabang yang boleh terlenteng semasa anda memotong. Jangan potong terlalu mendekati tanah kerana batu dan objek lain boleh terlenteng.
- Berhati-hati terhadap objek yang terlenteng. Sentiasa pakai pelindung mata yang diluluskan. Jangan bersandar pada pengadang lampiran alat pemotong. Batu, sampah dan sebagainya mungkin terlenteng ke mata yang mungkin mengakibatkan buta atau kecederaan serius.
- Beri perhatian kepada isyarat atau jeritan amaran apabila anda memakai pelindung telinga. Sentiasa tanggalkan pelindung telinga anda sebaik sahaja produk berhenti.
- Jangan bekerja di atas tangga, bangku atau sebarang kedudukan tinggi yang kurang selamat.
- Mesin ini menghasilkan medan elektromagnet semasa pengendalian. Medan ini boleh mengganggu implan perubatan aktif atau pasif dalam keadaan tertentu. Untuk mengurangkan risiko kecederaan serius atau maut, kami mengesyorkan mereka yang menggunakan implan perubatan untuk mendapatkan nasihat doktor dan pengilang implan itu sebelum mengendalikan mesin ini.
- Pastikan anda memegang produk dengan kedua-dua belah tangan pada setiap masa. Gantung produk di sisi kanan badan anda.
- Pastikan anda menghentikan produk, menanggalkan bateri dan memastikan peralatan memotong tidak berputar sebelum anda mengeluarkan bahan yang terlitil di sekeliling aci bilah atau tersangkut di antara pengadang dan lampiran pemotong.

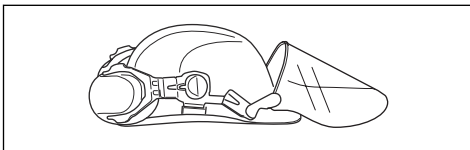
- Medan elektromagnet semasa pengendalian boleh mengganggu implan perubatan aktif atau pasif. Bagi individu yang menggunakan implan perubatan sila rujuk doktor anda dan pengilang implan sebelum mengendalikan produk ini.
- Angkat beban produk dengan abah-abah untuk menjadikannya lebih mudah dikendalikan.
- Pendedahan jangka masa panjang terhadap hingar boleh mengakibatkan gangguan pendengaran secara kekal. Husqvarna mengesyorkan pengendali menggunakan perlindungan pendengaran yang diluluskan.
- Jangan gunakan produk yang telah diubah suai melalui sebarang cara daripada spesifikasi asalnya.
- Jangan gunakan produk yang rosak. Jalankan pemeriksaan keselamatan, penyelenggaraan dan arahan servis yang diterangkan dalam manual ini. Sesetengah penyelenggaraan dan langkah-langkah servis mesti dijalankan oleh pakar yang terlatih dan layak. Lihat arahan di bawah tajuk penyelenggaraan.
- Jalankan pemeriksaan keseluruhan bagi produk sebelum penggunaan. Lihat jadual penyelenggaraan.
- Jangan sekali-kali benarkan orang lain menggunakan produk ini tanpa terlebih dahulu memastikan bahawa mereka telah membaca dan memahami kandungan manual pengendali.
- Periksa objek asing di kawasan kerja seperti kabel elektrik, dan haiwan dsb., atau objek lain yang boleh merosakkan alat pemotong seperti bahan keluli.
- Bilah pemotong yang rosak boleh meningkatkan risiko kemalangan.

### Kelengkapan pelindung peribadi



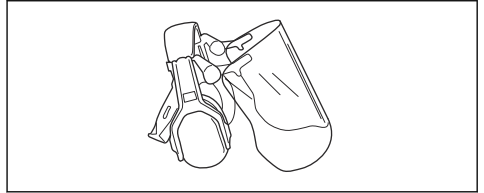
**AMARAN:** Baca arahan amaran berikut sebelum anda menggunakan produk ini.

- Sentiasa gunakan kelengkapan pelindung peribadi yang diluluskan apabila anda menggunakan produk. Kelengkapan pelindung peribadi tidak dapat mencegah kecederaan sepenuhnya tetapi akan mengurangkan tahap kecederaan jika kemalangan berlaku. Penjual anda boleh membantu anda memilih peralatan yang sesuai.
- Gunakan topi keledar pelindung jika terdapat risiko objek jatuh.



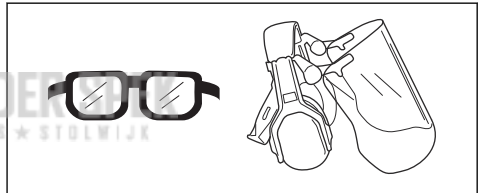
- Pendedahan kepada hingar untuk jangka masa yang panjang boleh menyebabkan kerosakan pendengaran. Secara umumnya, produk yang menggunakan kuasa bateri adalah agak senyap tetapi kerosakan boleh diakibatkan daripada

gabungan tahap hingar dan penggunaan untuk jangka masa yang panjang. Husqvarna mengesyorkan pengendali menggunakan pelindung telinga semasa menggunakan produk untuk tempoh masa yang panjang dalam sehari. Pengguna yang menggunakan produk secara berterusan dan kerap seharusnya menjalankan pemeriksaan pendengaran dari semasa ke semasa.

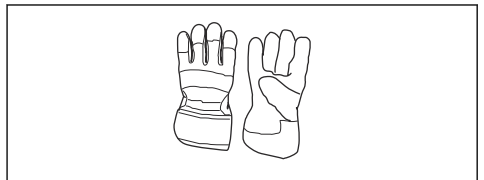


**AMARAN:** Pelindung telinga menghadkan keupayaan untuk mendengar bunyi dan isyarat amaran.

- Gunakan pelindung mata yang diluluskan. Jika anda menggunakan visor, anda juga perlu memakai goggles pelindung yang diluluskan. Pelindung mata yang diluluskan mestilah mematuhi standard ANSI Z87.1 di A.S. atau EN 166 di negara-negara EU.



- Gunakan sarung tangan apabila perlu, contohnya apabila anda memasang, memeriksa atau membersihkan peralatan pemotong.



- Pakai pakaian yang diperbuat daripada kain yang kuat. Sentiasa pakai seluar panjang dan baju berlengan panjang yang tebal. Jangan pakai pakaian longgar yang boleh tersangkut pada ranting atau dahan. Jangan pakai barang kemas, seluar pendek, sandal atau berkaki ayam. Pastikan rambut anda diikat rapi di atas paras bahu.

- Pastikan peralatan bantuan kecemasan mudah dicapai.



## Peranti keselamatan pada produk



**AMARAN:** Baca arahan amaran berikut sebelum anda menggunakan produk ini.

Bahagian ini menerangkan kelengkapan keselamatan produk, tujuannya dan cara pemeriksaan dan penyelenggaraan perlu dijalankan untuk memastikan pengendalian yang betul. Lihat arahan di bawah tajuk *Gambaran keseluruhan produk pada halaman 445* untuk melihat lokasi bahagian ini pada produk anda.

Jangka hayat produk boleh berkurangan dan risiko kemalangan boleh meningkat jika penyelenggaraan produk tidak dijalankan dengan betul dan jika servis dan/atau pembaikan tidak dijalankan secara profesional. Jika anda memerlukan maklumat selanjutnya, sila hubungi pengedar servis terdekat anda.



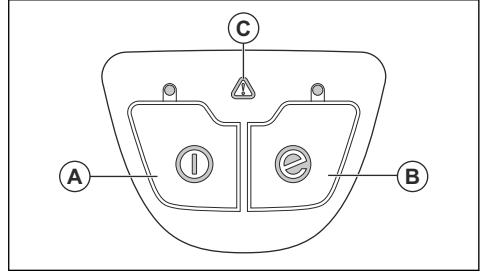
**AMARAN:** Jangan sekali-kali gunakan produk dengan komponen keselamatan yang rosak. Kelengkapan keselamatan produk mestilah diperiksa dan diselenggarakan seperti yang diterangkan dalam bahagian ini. Jika produk anda gagal dalam sebarang pemeriksaan ini, hubungi ejen servis anda untuk membaikinya.



**AWAS:** Semua kerja servis dan pembaikan mesin memerlukan latihan khas. Perkara ini khususnya penting bagi kelengkapan keselamatan mesin. Jika mesin anda gagal dalam sebarang pemeriksaan yang dinyatakan di bawah, anda perlu menghubungi wakil servis anda. Apabila anda membeli mana-mana produk kami, kami akan menjamin ketersediaan pembaikan dan servis yang profesional. Jika peniaga yang menjual mesin kepada anda bukan pembekal servis, sila minta peniaga memberi anda alamat bengkel servis yang terdekat.

## Untuk memeriksa pad kekunci

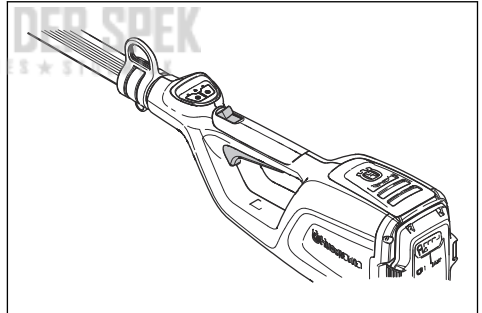
1. Tekan dan tahan butang mula/henti (A).



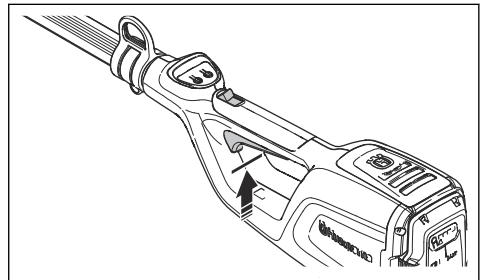
- a) Produk dihidupkan apabila LED dihidupkan.
  - b) Produk dimatikan apabila LED dimatikan.
2. Rujuk *Untuk memulakan fungsi Save SavE pada halaman 457* untuk fungsi butang SaveE (B).
  3. Lihat *Pencarisilapan pada halaman 458* sama ada penunjuk amaran (C) dihidupkan atau berkelip.

## Untuk melakukan pemeriksaan terhadap penyekat picu kuasa

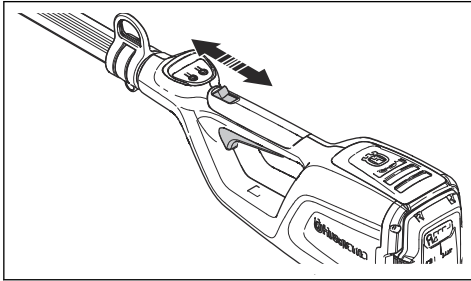
Penyekat picu kuasa menghalang pengendalian yang tidak disengajakan. Apabila anda melepaskan pemegang, picu kuasa dan penyekat picu kuasa akan bergerak kembali ke kedudukan asalnya.



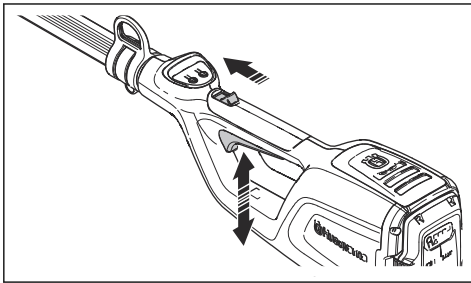
1. Pastikan picu kuasa dikunci apabila penyekat berada dalam kedudukan asal.



2. Tarik dan lepaskan penyekat dan pastiknya bergerak kembali ke kedudukan asal.



3. Pastikan picu kuasa dan penyekat bergerak bebas dan spring kembali berfungsi dengan betul.



4. Hidupkan produk, lihat *Untuk menghidupkan produk pada halaman 456*.
5. Gunakan kelajuan penuh.
6. Lepaskan picu kuasa dan pastikan alat pemotong berhenti sepenuhnya.

## Keselamatan bateri



**AMARAN:** Baca arahan amaran berikut sebelum anda menggunakan produk ini.

- Bateri yang disyorkan ialah BLi10. Rujuk *Data teknikal pada halaman 460*. Bateri disulitkan dengan perisian.
- Gunakan bateri BLi10 yang boleh dicas semula sebagai bekalan kuasa untuk produk Husqvarna yang berkenaan sahaja. Untuk mengelakkan kecederaan, jangan gunakan bateri sebagai bekalan kuasa bagi peranti lain.
- Risiko kejutan elektrik. Jangan sambungkan terminal bateri pada kunci, syiling, skru atau bahan logam yang lain. Ini boleh menyebabkan litar pintas pada bateri.
- Jangan gunakan bateri yang tidak boleh dicas semula.
- Jangan masukkan bateri ke dalam slot udara bateri.
- Jauhi bateri daripada cahaya matahari, haba atau api. Bateri boleh menyebabkan kelecuman dan/atau kelecuman kimia.

- Jauhi bateri daripada hujan dan keadaan yang basah.
- Jauhi bateri daripada ketuhar gelombang mikro dan tekanan tinggi.
- Jangan cuba memisahkan bahagian atau memecahkan bateri.
- Jika bateri bocor, pastikan cecair tidak terkena badan atau mata anda. Jika anda tersentuh cecair, bersihkan bahagian berkenaan dengan banyak air dan sabun serta dapatkan rawatan perubatan. Jika cecair terkena mata anda, jangan lap. Sebaliknya, cuci dengan air untuk sekurang-kurangnya 15 minit dan dapatkan rawatan perubatan.
- Gunakan bateri pada suhu antara -10 °C (14 °F) hingga 40 °C (114 °F).
- Jangan bersihkan bateri atau pengecas bateri dengan air. Rujuk *Untuk membersihkan produk, bateri dan pengecas bateri pada halaman 458*.
- Jangan gunakan bateri yang rosak.
- Simpan bateri di tempat yang jauh daripada objek logam seperti paku, skru atau barang kemas.
- Jauhi bateri daripada kanak-kanak.

## Keselamatan pengecas bateri



**AMARAN:** Baca arahan amaran berikut sebelum anda menggunakan produk ini.

- Risiko kejutan elektrik atau litar pintas jika arahan keselamatan tidak dipatuhi.
- Jangan gunakan pengecas bateri selain yang dibekalkan untuk produk anda. Pengecas yang disyorkan ialah QC80 apabila anda mengcas bateri BLi10.
- Jangan cuba memisahkan bahagian pengecas bateri.
- Jangan gunakan pengecas bateri yang rosak.
- Jangan angkat pengecas bateri dengan memegang kord kuasa. Untuk menanggalkan pengecas bateri dari soket sesalur, tarik keluar palam. Jangan tarik kord kuasa.
- Jauhi semua kabel dan wayar sambungan daripada air, minyak dan bucu tajam. Pastikan kabel tidak tersangkut di antara objek seperti pintu, pagar atau yang seumpamanya.
- Jangan gunakan pengecas bateri berhampiran bahan yang mudah terbakar atau bahan yang boleh menyebabkan kakisan. Pastikan pengecas bateri tidak ditutup. Tarik keluar palam pengecas bateri jika terdapat asap atau api.
- Hanya cas bateri di dalam bangunan di lokasi dengan aliran udara yang baik dan jauhi daripada cahaya matahari. Jangan cas bateri di luar bangunan. Jangan cas bateri dalam keadaan yang basah.
- Hanya gunakan pengecas bateri pada suhu antara 5 °C (41 °F) hingga 40 °C (104 °F). Gunakan

pengecas di persekitaran dengan aliran udara yang baik, kering dan tiada habuk.

- Jangan masukkan objek ke dalam slot penyejukan pengecas bateri.
- Jangan sambungkan terminal pengecas bateri pada objek logam kerana ini boleh menyebabkan litar pintas pada pengecas bateri.
- Gunakan soket sesalur diluluskan yang tidak rosak. Pastikan kord pengecas bateri tidak rosak. Jika kabel sambungan digunakan, pastikan kabel sambungan tidak rosak.

## Arahan keselamatan untuk penyelenggaraan



**AMARAN:** Baca arahan amaran berikut sebelum anda melakukan penyelenggaraan pada produk ini.

- Keluarkan bateri sebelum anda melakukan penyelenggaraan, pemeriksaan lain atau pemasangan produk.
- Pengendali seharusnya hanya melakukan penyelenggaraan dan servis yang dinyatakan dalam

manual pengendali ini. Rujuk pembekal servis anda untuk penyelenggaraan dan servis yang selanjutnya.

- Jangan bersihkan bateri atau pengecas bateri dengan air. Detergen yang kuat boleh merosakkan plastik.
- Jika anda tidak melakukan penyelenggaraan, kitaran hayat produk akan berkurangan dan risiko kemalangan akan meningkat.
- Latihan khas diperlukan untuk semua kerja servis dan pembaikan, khususnya untuk peranti keselamatan pada produk. Jika tidak semua pemeriksaan dalam manual pengendali ini diluluskan selepas anda melakukan penyelenggaraan, rujuk pembekal servis anda. Kami menjamin bahawa terdapat pembaikan dan servis profesional yang tersedia untuk produk anda.
- Sentiasa pastikan gigi bilah telah diasah dengan betul. Patuhi syor kami. Rujuk arahan pada bungkusan bilah juga.
- Hanya gunakan alat ganti tulin.
- Sentiasa pakai sarung tangan tahan lasak sewaktu mengendalikan alat pemotong. Bilah adalah sangat tajam dan boleh mengakibatkan kecederaan dengan mudah.

## Pemasangan

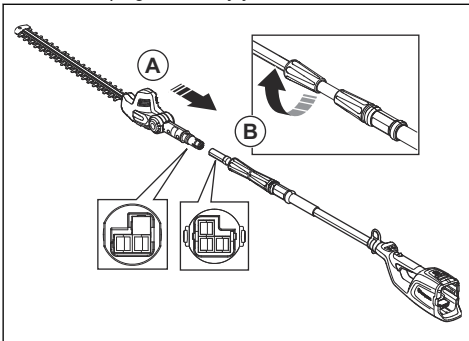
### Pengenalan



**AMARAN:** Baca dan fahami bab keselamatan sebelum anda memasang produk.

### Untuk memasang aci

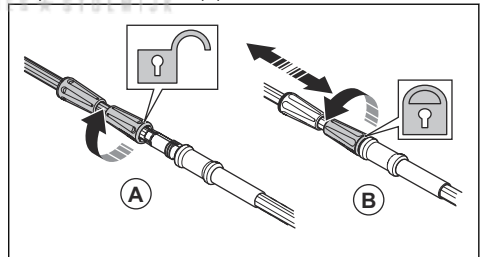
1. Pastikan plag elektrik dijangarkan.



2. Sambungkan hujung aci (A) sepenuhnya.
3. Ketatkan skru pemegang pada sisi kepala pemangkas tanaman pagar aci (B).

### Untuk melaraskan panjang aci

1. Longgarkan skru pemegang di sisi bahagian perumahan bateri aci (A).



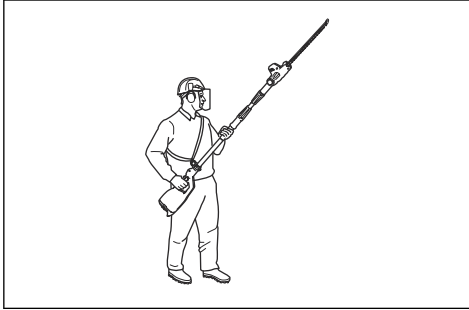
2. Laraskan aci ke panjang yang bersesuaian.
3. Ketatkan skru pemegang (B).

### Untuk melaraskan abah-abah

Sentiasa gunakan abah-abah apabila anda mengendalikan produk. Abah-abah memberikan kawalan maksimum semasa pengendalian produk. Abah-abah mengurangkan risiko kepenatan di tangan dan belakang badan anda.

1. Pakai abah-abah.
2. Pasangkan produk ke cangkuk sokongan abah-abah.

3. Laraskan panjang abah-abah sehingga paras cangkuk sokongan lebih kurang pada pinggul kanan anda.



## Pengendalian

### Pengenalan



**AMARAN:** Baca dan fahami bab keselamatan sebelum anda menggunakan produk.

### Perkara untuk dilakukan sebelum anda memulakan produk

1. Periksa kawasan kerja. Keluarkan objek yang boleh terpelanting.
2. Bersihkan lampiran pemotong. Pastikan bilah adalah tajam dan tiada rekahan serta kerosakan.
3. Pastikan produk berfungsi dengan betul. Pastikan semua nat dan skru adalah ketat.
4. Pastikan pemegang dan alat keselamatan tidak rosak dan dipasangkan dengan betul. Jangan kendalikan produk jika terdapat bahagian yang hilang atau telah diubah daripada spesifikasi asalnya. Gunakan sarung tangan pelindung apabila perlu.
5. Pastikan penutup tidak rosak dan dipasang dengan betul sebelum anda mengendalikan produk.

### Untuk menyambungkan pengecas bateri

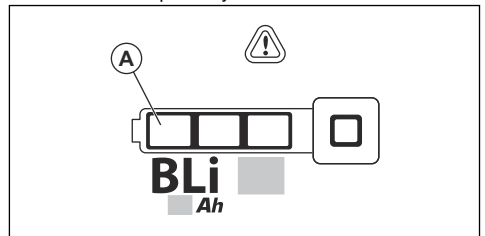
1. Sambungkan pengecas bateri kepada voltan dan frekuensi yang ditentukan pada plat penarafan.
2. Palamkan plag dalam salur kelur soket dibumikan. LED pengecas bateri berkelip hijau sekali.

**Nota:** Bateri tidak mengecap jika suhu bateri melebihi 50 °C/122 °F. Jika suhu melebihi 50 °C/122 °F, pengecas bateri akan memastikan bateri menyejuk dahulu sebelum bateri mengecap.

### Untuk menyambungkan bateri pada pengecas bateri

**Nota:** Cas bateri pada kali pertama anda menggunakannya. Bateri yang baru hanya dicas sehingga 30%.

1. Pastikan bateri adalah kering.
2. Sambungkan bateri pada pengecas bateri.
3. Pastikan lampu pengecasan berwarna hijau pada pengecas bateri bernyala. Lampu hijau bermaksud bateri dipasangkan dengan betul pada pengecas bateri.
4. Apabila semua LED (A) pada bateri bernyala, maka bateri dicas sepenuhnya.



5. Untuk menanggalkan pengecas bateri dari soket sesalur, tarik palam. Jangan tarik kord.
6. Keluarkan bateri dari pengecas bateri.

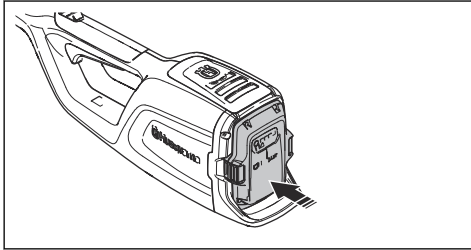
**Nota:** Rujuk manual bateri dan pengecas bateri untuk mendapatkan maklumat lanjut.

## Untuk menyambungkan baterai pada produk



**AMARAN:** Hanya gunakan baterai asli Husqvarna di dalam produk.

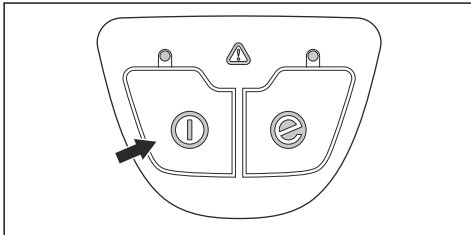
1. Pastikan baterai dicas sepenuhnya.
2. Masukkan baterai ke dalam pemegang baterai pada produk. Bateri seharusnya boleh dimasukkan ke dalam pemegang dengan mudah. Jika tidak, maka bateri tidak dipasangkan dengan betul.



3. Tekan bahagian bawah bateri dan tekan masuk sepenuhnya ke dalam pemegang bateri. Bateri akan dipasangkan ketat apabila anda mendengar bunyi klik.
4. Pastikan selak dipasangkan pada kedudukannya dengan betul.

## Untuk menghidupkan produk

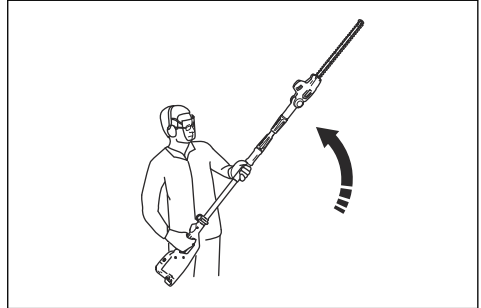
1. Tekan dan tahan butang mula/henti sehingga lampu LED hijau bernyala.



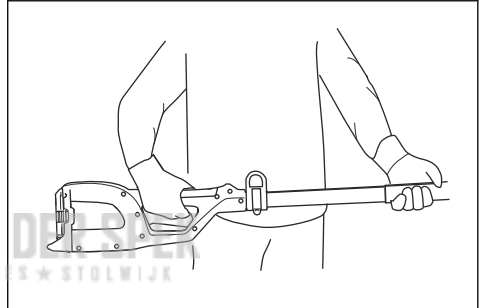
2. Tarik penyekat picu kuasa ke belakang dan tahan picu kuasa.

## Untuk mengendalikan produk

- Hidupkan berhampiran tanah dan gerakkan produk ke atas sepanjang tanaman pagar apabila anda memotong sisi.



- Pegang produk berdekatan badan anda untuk kedudukan kerja yang stabil.

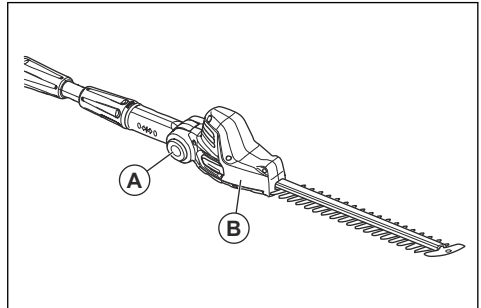


- Pastikan hujung peralatan pemotong tidak menyentuh tanah.
- Berhati-hati dan bekerja perlahan-lahan sehingga semua dahan dipotong dengan betul.

## Untuk melaraskan sudut lampiran pemotong

Lampiran pemotong boleh dilaraskan dalam 7 kedudukan yang berbeza.

1. Hentikan produk dan tanggalkan bateri.



2. Pegang perumahan dengan ketat (B).

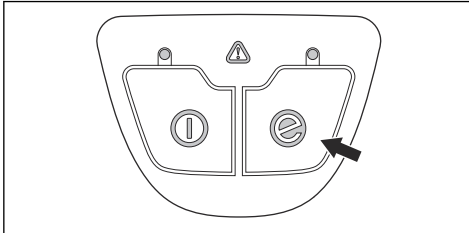


3. Tekan dan tahan butang kunci (A) pada 2 sisi perumah (B).
4. Gerakkan lampiran pemotong ke sudut yang betul.
5. Lepaskan butang kunci (A) pada kedua-dua bahagian.
6. Gerakkan perumah (B) ke atas dan ke bawah sehingga lampiran pemotong terkunci di tempatnya.

### Untuk memulakan fungsi SavE

Produk mengandungi fungsi SavE. Fungsi SavE memberikan masa operasi terpanjang daripada bateri.

1. Tolak butang SavE. LED menyala untuk menandakan fungsi dihidupkan.



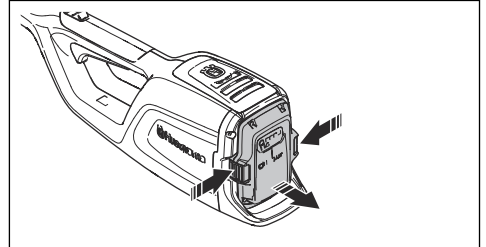
2. Tekan butang SavE sekali lagi untuk menghentikan fungsi.

### Fungsi pematian automatik

Produk mengandungi fungsi pematian yang menghentikan produk jika produk tidak digunakan. Lampu LED hijau untuk penunjuk mula/henti akan terpadam dan produk akan berhenti selepas 60 saat.

### Untuk menghentikan produk

1. Lepaskan picu kuasa.
2. Tekan dan tahan butang mula/henti sehingga LED hijau terpadam.
3. Keluarkan bateri dari produk. Tekan 2 butang lepas dan tarik keluar bateri.



## Penyelenggaraan

### Pengenalan



**AMARAN:** Baca dan fahami bab keselamatan sebelum anda melakukan kerja penyelenggaraan pada produk.



**AMARAN:** Keluarkan bateri sebelum anda melakukan penyelenggaraan pada produk.

### Jadual penyelenggaraan

Berikut ialah senarai langkah penyelenggaraan yang perlu dilakukan pada produk.

Penyelenggaraan	Sebelum penggunaan	Setiap minggu	Setiap bulan
Bersihkan bahagian luaran produk.	X		
Pastikan suis mula dan henti berfungsi dengan betul dan tidak rosak.	X		
Pastikan picu kuasa terkunci dan penyekat picu kuasa berfungsi dengan betul dari segi keselamatan.	X		
Pastikan semua kawalan berfungsi dan tidak rosak.	X		
Pastikan bilah pemotong dan pengadang pemotong tiada rekahan dan tidak rosak. Gantikan bilah pemotong atau pengadang pemotong jika terdapat rekahan atau terdedah kepada impak.	X		
Gantikan bilah pemotong jika bengkok atau rosak.	X		

Penyelenggaraan	Sebelum penggunaan	Setiap minggu	Setiap bulan
Pastikan nat dan skru adalah ketat.	X		
Pastikan bateri tidak rosak.	X		
Pastikan bateri dicas sepenuhnya.	X		
Pastikan pengecas bateri tidak rosak.	X		
Pastikan skru yang memegang bilah pemotong diketatkan dengan betul.		X	
Periksa sambungan di antara bateri dengan produk. Periksa sambungan di antara bateri dengan pengecas bateri.			X

## Untuk memeriksa bateri dan pengecas bateri

1. Periksa bateri untuk mengesan kerosakan seperti rekahan.
2. Periksa pengecas bateri untuk mengesan kerosakan seperti rekahan.
3. Pastikan kord sambungan pengecas bateri tidak rosak dan tiada retak di dalamnya.

## Untuk membersihkan produk, bateri dan pengecas bateri

1. Bersihkan produk dengan kain yang kering selepas penggunaan.
2. Bersihkan bateri dan pengecas bateri dengan kain yang kering. Jaga kebersihan runut pandu bateri.
3. Pastikan terminal pada bateri dan pengecas bateri bersih sebelum bateri dimasukkan ke dalam pengecas bateri atau produk.

## Untuk memeriksa bilah pemotong

1. Bersihkan bilah pemotong daripada bahan yang tidak dikehendaki dengan agen pembersih antikalium sebelum dan selepas anda menggunakan produk ini.
2. Periksa pinggir bilah pemotong untuk kerosakan dan kecacatan.
3. Gunakan kikir untuk menanggalkan gerigis pada bilah pemotong.

4. Pastikan bilah pemotong bergerak secara bebas.

## Untuk membersihkan dan melincirkan bilah

1. Bersihkan bilah daripada bahan yang tidak dikehendaki sebelum dan selepas anda menggunakan produk ini.
2. Lincirkan bilah sebelum tempoh penyimpanan yang panjang.

**Nota:** Rujuk pembekal servis anda untuk maklumat lanjut tentang agen pembersihan dan pelincir yang disyorkan.

## Untuk melincirkan gear

Gunakan gris pada perumahan gear jika gear telah ditanggalkan oleh pembekal servis yang diluluskan.

- Gunakan gris khas Husqvarna. Rujuk dengan pembekal servis anda untuk maklumat lanjut tentang gris yang disyorkan.
- Hanya gunakan gris khas berkualiti tinggi dalam kuantiti yang sedikit.



**AWAS:** Jangan isikan perumahan gear sehingga penuh.

## Pencarisilapan

### Pad kekunci

Skrin LED	Kerosakan yang mungkin berlaku	Penyelesaian yang boleh dilakukan
LED ralat berkelip.	Beban lebih	Alat pemotong tidak dapat bergerak dengan bebas. Bersihkan bahagian pemotong.

Skrin LED	Kerosakan yang mungkin berlaku	Penyelesaian yang boleh dilakukan
Produk tidak dapat dihidupkan.	Terdapat kotoran dalam sambungan bateri.	Bersihkan penyambung bateri dengan udara mampat atau berus yang lembut.
LED ralat bernyala dengan lampu merah.	Penservisan pada produk perlu dilakukan	Rujuk wakil pembekal servis anda.

## Bateri

Paparan LED	Kerosakan yang mungkin berlaku	Tindakan yang boleh diambil
LED hijau berkelip.	Voltan bateri rendah.	Cas bateri.
LED ralat berkelip.	Penyimpangan suhu.	Gunakan bateri pada suhu antara -10°C (14°F) hingga 40°C (104°F).
	Terlalu banyak voltan.	Pastikan voltan sesalur sejajar dengan voltan yang dinyatakan pada plat kadar produk. Keluarkan bateri dari pengecas bateri.
LED ralat dihidupkan.	Perbezaan sel terlalu ketara (1V).	Rujuk wakil pembekal servis.

## Pengecas bateri



Masalah	Kerosakan yang mungkin berlaku	Penyelesaian yang boleh dilakukan
LED ralat merah berkelip.	Penyimpangan suhu.	Gunakan pengecas bateri pada suhu antara 5 °C (41 °F) hingga 40 °C (104 °F).
LED ralat merah bernyala.	Terlalu banyak perbezaan sel (1V).	Rujuk wakil pembekal servis.

## Pengangkutan, penyimpanan dan pembuangan

### Pemindahan dan penyimpanan

- Bateri Li-ion yang dibekalkan mematuhi keperluan Undang-undang Barangan Berbahaya.
- Patuhi keperluan khas pada pakej dan label untuk pemindahan komersial, termasuk oleh pihak ketiga dan ejen pengangkutan.
- Rujuk orang yang telah melalui latihan khas tentang bahan berbahaya sebelum anda menghantar produk. Patuhi semua peraturan negara yang berkenaan.
- Gunakan pita pada titik sambungan terbuka apabila anda memasukkan bateri ke dalam pakej. Pastikan

bateri disimpan rapi di dalam pakej untuk mengelakkan pergerakan.

- Keluarkan bateri untuk penyimpanan atau pemindahan.
- Simpan bateri dan pengecas bateri di tempat yang kering dan bebas daripada kelembapan dan fros.
- Jangan simpan bateri di tempat yang mungkin berlaku elektrik statik. Jangan simpan bateri di dalam kotak logam.
- Simpan bateri di tempat yang bersuhu antara 5°C/ 41°F hingga 25°C/77°F dan jauhkan daripada cahaya matahari langsung.

- Simpan pengecas bateri di tempat yang bersuhu antara 5 °C/41 °F hingga 45°C/113°F dan jauhkan daripada cahaya matahari langsung.
- Hanya gunakan pengecas bateri apabila suhu sekeliling adalah antara 5°C/41°F hingga 40°C/104°F.
- Cas bateri kepada 30% hingga 50% sebelum anda menyimpan bateri untuk tempoh masa yang panjang.
- Simpan pengecas bateri di tempat yang tertutup dan kering.
- Jauhi bateri daripada pengecas bateri semasa disimpan. Jangan benarkan kanak-kanak dan orang lain yang tidak dibenarkan untuk menyentuh peralatan. Simpan peralatan di tempat yang boleh dikunci.
- Bersihkan produk dan lakukan servis penuh sebelum anda menyimpan produk untuk tempoh masa yang panjang.

- Gunakan pengadang pengangkutan pada produk untuk mengelakkan kecederaan atau kerosakan pada produk semasa pengangkutan dan penyimpanan.
- Pasang produk dengan selamat semasa diangkut.

## Pembuangan bateri, pengecas bateri dan produk

Simbol pada produk atau bungkusan produk bermakna bahawa produk bukan sisa domestik. Kitar semula di stesen kitar semula untuk peralatan elektrik dan elektronik. Ini dapat membantu mengelakkan kerosakan kepada alam sekitar dan orang.

Berhubung dengan pihak berkuasa tempatan anda, perkhidmatan sisa domestik atau wakil penjual anda untuk maklumat lanjut tentang cara untuk mengitar semula produk anda.

## Data teknikal

### Data teknikal

	<b>120ITK4-H</b>
<b>Motor</b>	
Jenis motor	PMDC 36V
<b>Berat</b>	
Berat tanpa bateri, kg	4.6
Berat dengan bateri (bateri lalai BLi10), kg	5.3
<b>Pengeluaran hingar<sup>76</sup></b>	
Paras kuasa bunyi, ukuran dB(A)	91.32
Tahap kuasa bunyi, dijamin L <sub>WA</sub> dB(A)	94
<b>Tahap bunyi<sup>77</sup></b>	
Tahap tekanan bunyi pada telinga pengendali, diukur mengikut EN 62841-1 dan EN 62841-4-2, dB(A)	81.3
<b>Tahap getaran<sup>78</sup></b>	

<sup>76</sup> Pengeluaran hingar dalam persekitaran diukur sebagai kuasa bunyi (L<sub>WA</sub>) mematuhi arahan EC 2000/14/EC. Perbezaan di antara kuasa bunyi yang dijamin dan diukur adalah kuasa bunyi yang dijamin juga meliputi penyebaran dalam keputusan pengukuran dan variasi antara produk berbeza model yang sama menurut Arahan 2000/14/EC.

<sup>77</sup> Serakan statistik yang lazim bagi aras tekanan bunyi setara ialah sisihan piawai 3 dB (A).

<sup>78</sup> Tarikh yang dilaporkan untuk tahap getaran mempunyai serakan statistik lazim (sisihan piawai) 1.5 m/s<sup>2</sup>.

Jumlah nilai getaran yang diisytiharkan telah diukur mengikut kaedah ujian standard dan boleh digunakan untuk membandingkan alat.

Jumlah nilai getaran yang diisytiharkan juga boleh digunakan dalam penilaian awal pendedahan.

	<b>120ITK4-H</b>
Tahap getaran ( $a_n$ ) di pemegang hadapan/belakang, $m/s^2$ . Rujuk EN 62841-1 dan EN 62841-4-2.	1.223/0.816
<b>Kelengkapan memotong</b>	
Jenis	Dwibelah
Panjang bilah, mm	500
Kelajuan bilah potongan/min dalam mod SavE	2250
Kelajuan bilah potongan/min apabila tidak berada dalam mod SavE	2800

### Pengecas bateri yang diluluskan

<b>Pengecas bateri</b>	<b>QC80</b>
Voltan masukan, V	100-240
Frekuensi, Hz	50-60
Kuasa, W	100
Voltan output, V DC/A	36/2

### Bateri yang diluluskan bagi produk

<b>Bateri</b>	<b>BLi10</b>
Jenis	Litium-ion
Kapasiti bateri, Ah	Rujuk pada pelekat rating bateri
Voltan nominal, V	36
Berat, kg	0.7

---

## Pengisytiharan Pengakuran EC

---

### Pengisytiharan Pengakuran EC

**Husqvarna AB**, SE-561 82 Huskvarna, Sweden, tel: +46-36-146500, memperakui bahawa pemangkas tanaman pagar **Husqvarna 120iTK4-H** dengan nombor siri mulai 2021 dan seterusnya (tahun dinyatakan dengan jelas pada plat penarafan, diikuti nombor siri) dan mematuhi keperluan ARAHAN MAJLIS:

- pada 17 Mei 2006 "berkenaan dengan mesin" **2006/42/EC**.
- pada 26 Februari, 2014 "berkenaan keserasian elektromagnet" **2014/30/EU**.
- pada 8 Jun 2011 berkenaan "sekatan penggunaan sesetengah bahan berbahaya" **2011/65/EU**

Standard berikut telah digunakan:

**EN 62841-1:2015, EN 62841-4-2:2019, EN 55014-1:2017+A11, EN 55014-2:2015, CISPR12:2007+A1 2009, EN IEC 63000:2018.**

TÜV Rheinland LGA Products GmbH, Tillystrasse 2, D-90431 Nuernberg, Germany, telah melakukan pemeriksaan secara sukarela bagi pihak Husqvarna AB. Sijil ini bernombor: **AM 50491653 0001**.

Huskvarna 2020-12-30



**KEES VAN DER SPEK**  
CHINES ★ STOLWIJK

Pär Martinsson, Pengurus Pembangunan (Wakil yang sah bagi Husqvarna AB dan bertanggungjawab terhadap dokumentasi teknikal).

## Содержание

Введение.....	463	Поиск и устранение неисправностей.....	478
Безопасность.....	465	Транспортировка, хранение и утилизация.....	479
Сборка.....	474	Технические данные.....	480
Эксплуатация.....	474	Декларация соответствия ЕС.....	482
Техническое обслуживание.....	477		

## Введение

### Описание изделия

Husqvarna 120iTK4-N представляет собой аккумуляторный триммер для изгороди с телескопической штангой.

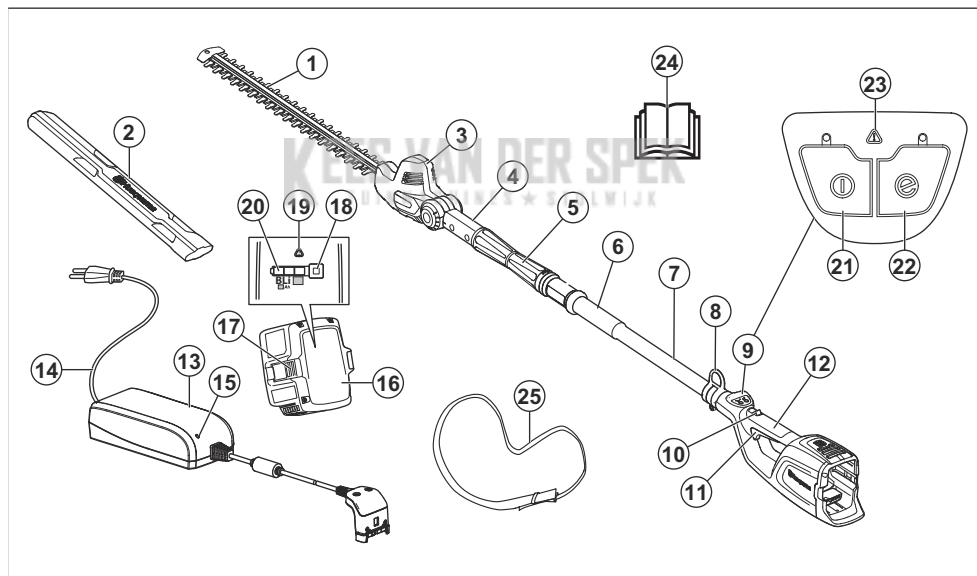
Мы постоянно совершенствуем свою продукцию с целью повысить вашу безопасность и эффективность во время работы. Для получения

более подробной информации обратитесь к своему дилеру по обслуживанию.

### Назначение

Изделие предназначено для обрезки веток разных диаметров. Запрещается использовать изделие для других видов работ.

### Обзор изделия



- |   |   |
|---|---|
| 1. Нож                                      | 11. Переключатель                                 |
| 2. Транспортировочная защита                | 12. Задняя ручка                                  |
| 3. Корпус                                   | 13. Зарядное устройство                           |
| 4. Ручьятка регулировки положения со шкалой | 14. Шнур  |
| 5. Телескопическая функция                  | 15. Светодиодный индикатор питания/предупреждения |
| 6. Передняя ручка                           | 16. Аккумулятор                                   |
| 7. Вал                                      | 17. Кнопки извлечения аккумулятора                |
| 8. Подвесной крюк оснастки                  | 18. Кнопка-индикатор аккумулятора                 |
| 9. Клавиатура                               | 19. Светодиодный индикатор предупреждения         |
| 10. Стопор переключателя                    |   |

- 20. Светодиодный индикатор аккумулятора
- 21. Кнопка запуска/остановки
- 22. Кнопка SavE
- 23. Светодиодный индикатор предупреждения
- 24. Руководство по эксплуатации
- 25. Оснастка

## Условные обозначения на изделии



**ПРЕДУПРЕЖДЕНИЕ!** Данное изделие является опасным инструментом. Небрежная или неправильная эксплуатация может привести к травме или смерти оператора или посторонних наблюдателей. Во избежание травм оператора или посторонних наблюдателей прочитайте и соблюдайте все инструкции по безопасности, приведенные в руководстве по эксплуатации. Перед началом работы внимательно прочитайте руководство по эксплуатации и убедитесь, что понимаете приведенные здесь инструкции.



Используйте защитный шлем в тех местах, где существует вероятность падения предметов. Используйте одобренные средства защиты органов слуха. Используйте одобренные средства защиты глаз.



Используйте проверенные защитные перчатки.



Изделие соответствует действующим директивам ЕС.



Номинальное напряжение, В



Постоянный ток.



Не оставляйте изделие под дождем.



Не трогайте нож руками.



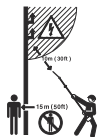
Телескопическая функция.



Функция разделения.



Поверните влево, чтобы ослабить ручку, вправо — чтобы затянуть.



В этом изделии отсутствует изоляция. Касание изделием высоковольтных линий электропередачи или его чрезмерное приближение к ним может привести к тяжелой травме или смерти. При небольшом расстоянии от изделия до высоковольтной линии может образоваться электрическая дуга. Чем выше напряжение в линии, тем больше расстояние, при котором возможно образование электрической дуги. Ток также может проходить через ветки и другие предметы, особенно влажные. Всегда соблюдайте минимальную дистанцию 10 м между изделием и высоковольтными линиями электропередачи и/или всеми предметами, находящимися в контакте с ними. При работе на меньшем расстоянии от высоковольтной линии следует обращаться в организацию, эксплуатирующую эту линию, и договариваться об отключении электроэнергии перед началом работы. Посторонние лица и животные должны находиться на расстоянии не менее 15 м от работающего изделия.

yyyywwxxxx

На паспортной табличке указан серийный номер. **yyyy** означает год производства, **ww** — производственную неделю.

**Примечание:** Другие символы/наклейки на изделии относятся к специальным требованиям сертификации на определенных рынках.

## Условные обозначения на аккумуляторе и/или зарядном устройстве аккумулятора



После завершения срока службы изделие необходимо передать в пункт переработки электрического и электронного оборудования. (Только для Европы)





Надежный трансформатор.



Зарядное устройство должно использоваться и храниться только внутри помещений.



Двойная изоляция.

## Ответственность изготовителя

В соответствии с законами об ответственности изготовителя мы не несем ответственности за

ущерб, вызванный эксплуатацией нашего изделия в результате:

- ненадлежащего ремонта изделия;
- использования для ремонта изделия неоригинальных деталей или деталей, не одобренных производителем;
- использования неоригинальных дополнительных принадлежностей или принадлежностей, не одобренных производителем;
- ремонта изделия в неавторизованном сервисном центре или неквалифицированным специалистом;

---

## Безопасность

---

### Инструкции по технике безопасности

Предупреждения, предостережения и примечания используются для выделения особо важных пунктов руководства.



#### **ПРЕДУПРЕЖДЕНИЕ:**

Используется, когда несоблюдение инструкций руководства может привести к травмам или смерти оператора или находящихся рядом посторонних лиц.



**ВНИМАНИЕ:** Используется, когда несоблюдение инструкций руководства может привести к повреждению изделия, других материалов или прилегающей территории.

**Примечание:** Используется для предоставления дополнительных сведений о конкретной ситуации.

### Общие меры предосторожности при работе с электроинструментом



#### **ПРЕДУПРЕЖДЕНИЕ:**

Внимательно прочитайте все предупреждения и информацию о мерах безопасности. Несоблюдение предупреждений и инструкций по технике безопасности может привести к поражению электрическим током, пожару и/или тяжелым травмам.

**Примечание:** Сохраните все предупреждающие указания и инструкции для последующего обращения. Под словом "электроинструмент" в данном документе понимается электрический инструмент, работающий от сети (проводной) либо от аккумулятора (беспроводной).

### Техника безопасности на рабочем месте

- **Рабочее место должно содержаться в чистоте и быть хорошо освещено.** Загромождения или отсутствие освещения могут стать причиной несчастных случаев.
- **Не пользуйтесь электроинструментами во взрывоопасной атмосфере, например, в присутствии легковоспламеняющихся жидкостей, газов или пыли.** Электроинструменты производят искры, которые могут зажечь пыль или пары топлива.
- **Не позволяйте детям и посторонним наблюдателям приближаться к вам во время использования электроинструмента.** Это может отвлечь ваше внимание и привести к потере управления.

### Электрическая безопасность

- **Штепсельная вилка электроинструмента должна соответствовать электрической розетке. Запрещается изменять конструкцию вилки. Не пользуйтесь штепсельными переходниками при работе с заземленными электроинструментами.** Отсутствие изменений в конструкции вилок и их соответствие розеткам снижает опасность поражения электрическим током.
- **Избегайте контакта любых частей тела с заземленными поверхностями, такими как трубы,**

батареи отопления, кухонные плиты и холодильники. Заземление тела увеличивает риск поражения электрическим током.

- **Не подвергайте электроинструмент воздействию воды или высокой влажности.** Попадание воды внутрь электроинструмента увеличивает риск поражения электрическим током.
- **Используйте шнур электроинструмента только по прямому назначению. Никогда не носите и не тяните электроинструмент за шнур и не дергайте за него, чтобы выключить инструмент из розетки. Держите шнур вдали от источников тепла, масла, острых углов или движущихся деталей.** Эксплуатация поврежденного или запутанного шнура увеличивает риск поражения электротоком.
- **При работе с электроинструментом вне помещения используйте специальный удлинительный шнур для наружных работ.** Применение шнура, предназначенного для уличного использования, снижает опасность поражения электрическим током.
- **Если неизбежно требуется применение электроинструмента во влажной среде, используйте источник питания, защищенный устройством защитного отключения (УЗО).** Использование УЗО снижает риск поражения электрическим током.

## Личная безопасность

- **При работе с электроинструментом будьте бдительны, следите за своими действиями и руководствуйтесь здравым смыслом. Не используйте электроинструмент, если вы устали или находитесь под воздействием наркотических средств, алкоголя или лекарств.** Малейшая невнимательность может обернуться серьезными физическими травмами.
- **Пользуйтесь средствами индивидуальной защиты. Всегда носите защитные очки.** Средства индивидуальной защиты, такие как респиратор, нескользящая защитная обувь, каска или средства защиты органов слуха, существенно снижают риск получения травм.
- **Примите меры по предотвращению случайного включения электроинструмента. Перед подключением инструмента к источнику питания и/или блоку аккумуляторов, его подъемом или переноской убедитесь, что переключатель находится в выключенном положении (OFF).** Не переносите электроинструменты, держа палец на переключателе, а также не подавайте питание на электроинструменты с включенным переключателем, т.к. это может привести к несчастному случаю.
- **Уберите все гаечные и регулировочные ключи, прежде чем включать питание.** Ключ, оставленный на движущейся части электроинструмента, может стать причиной травмы.

- **Не вытягивайте руки с устройством слишком далеко. Всегда сохраняйте равновесие и устойчиво ставьте ноги.** Это позволит лучше контролировать попадание инструментом в случае возникновения непредвиденной ситуации.
- **Надевайте соответствующую одежду. Не надевайте свободную одежду или украшения. Не допускайте попадания волос и одежды в движущиеся части инструмента.** Свободная одежда, украшения или длинные волосы могут попасть в движущиеся части.
- **Если инструмент оборудован дополнительными устройствами для сбора и удаления пыли, убедитесь, что они подключены и используются надлежащим образом.** Такие устройства способствуют снижению опасностей, связанных с наличием пыли.
- **Не допускайте, чтобы чувство уверенности, приобретенное вследствие частого управления изделием, позволило вам забыть об опасностях и игнорировать принципы обеспечения безопасности.** Неосторожные действия могут привести к тяжелой травме за долю секунды.
- **Вибрации во время фактического использования электроинструмента могут отличаться от заявленного суммарного значения в зависимости от того, каким образом инструмент используется.** Операторы должны определять меры безопасности для собственной защиты, основываясь на оценке воздействия в конкретных условиях эксплуатации (с учетом всех частей рабочего цикла, таких как время отключения инструмента и время вращения на холостом ходу в дополнение к триггеру).

## Эксплуатация и обслуживание электроинструмента

- **Не перегружайте электроинструмент. Убедитесь, что он предназначен для выполнения конкретной задачи.** Правильно подобранный электроинструмент лучше и надежнее справится с задачей, соответствующей его конструктивным характеристикам.
- **Не пользуйтесь электроинструментом, если его переключатель не работает.** Такой инструмент представляет опасность и подлежит обязательному ремонту.
- **Прежде чем производить какую-либо настройку электроинструмента, заменяя его части или убирать его на хранение, отключите инструмент от источника питания и/или блока аккумуляторов.** Эти меры предосторожности позволяют исключить возможность случайного включения электроинструмента.
- **Храните неиспользуемые электроинструменты в недоступном для детей месте и не позволяйте работать с инструментом лицам, не ознакомленным с ним и с данными правилами техники безопасности.** Электроинструменты в

руках неопытных пользователей являются источником опасности.

- **Поддерживайте электроинструменты в исправном состоянии.** Регулярно проверяйте, не застревают ли движущиеся части и не смещаются ли они со своего нормального положения; все ли части исправны, а также другие условия, влияющие на работу электроинструмента. В случае обнаружения какой-либо неисправности устраните ее перед использованием инструмента. Многие несчастные случаи возникают из-за недостаточно тщательного ухода за электроинструментами.
- **Поддерживайте остроту и чистоту режущих инструментов.** Исправные режущие инструменты с острыми режущими краями меньше подвержены поломкам и более просты в управлении.
- **Используйте электроинструменты, принадлежности, наконечники и т. д. в соответствии с данными инструкциями, принимая во внимание условия работы и специфику выполняемой задачи.** Применение электроинструмента не по назначению может создать опасные ситуации.
- **Рукоятки и поверхности захвата должны быть сухими и чистыми, без следов масла и смазки.** Скользкие рукоятки и поверхности захвата препятствуют безопасному обращению и управлению инструментом в непредвиденных ситуациях.

## Эксплуатация и обслуживание аккумуляторного инструмента

- **Выполняйте подзарядку только с помощью зарядного устройства, указанного производителем.** Зарядное устройство, подходящее для одного типа блока аккумуляторов, может создать опасность возгорания при использовании с блоком аккумуляторов другого типа.
- **Используйте электроинструмент только со специально предназначенными блоками аккумуляторов.** Использование других блоков аккумуляторов может создать опасность травмы или возгорания.
- **Когда блок аккумуляторов не используется, храните его вдали от других металлических предметов, таких как скрепки, монеты, ключи, гвозди, винты или прочие мелкие предметы, которые могут замкнуть клеммы аккумулятора.** Замыкание клемм аккумулятора может привести к ожогам или пожару.
- **При неправильном обращении из аккумулятора может вытечь жидкость; не допускайте контакта с вытекшей жидкостью.** При случайном прикосновении промойте место соприкосновения водой. При попадании жидкости в глаза обратитесь за медицинской помощью. Вытекшая

из аккумулятора жидкость может привести к раздражению или ожогу.

- **Запрещается использовать блок аккумуляторов или инструмент, если они повреждены или модифицированы.** Поврежденные или подвергнутые модификации аккумуляторы могут работать неисправно, что приведет к возникновению пожара, взрыва или риску травм.
- **Не подвергайте блок аккумуляторов или инструмент воздействию огня или чрезмерно высоким температурам.** Воздействие огня или температуры выше 130°C / 265°F может привести к взрыву.
- **Точно следуйте всем инструкциям по зарядке и ни в коем случае не заряжайте блок аккумуляторов или инструмент при температуре, выходящей за пределы указанного в инструкциях диапазона.** Ненадлежащая зарядка или зарядка при температуре выше или ниже указанного диапазона может привести к повреждению аккумулятора и повышенному риску пожара.

## Сервисное обслуживание

- **Сервисное обслуживание электроинструмента должны выполнять квалифицированные специалисты по ремонту оборудования с использованием только идентичных запчастей.** Это гарантирует сохранность электроинструмента.
- **Никогда не выполняйте обслуживание поврежденных блоков аккумуляторов.** Обслуживание аккумуляторов должно выполняться только производителем или специалистами уполномоченных сервисных центров.

## Инструкции по технике безопасности при работе с ножницами для живой изгороди

- **Не подносите части тела близко к режущему ножу. Не удаляйте срезанный и не удерживайте подлежащий срезке материал во время работы ножей.** Ножи продолжают двигаться после переключения переключателя в положение выключения. Малейшая невнимательность при работе с ножницами для живой изгороди может обернуться серьезными травмами.
- **Переносите ножницы для живой изгороди за ручку, предварительно остановив нож и приняв необходимые меры во избежание включения главного выключателя.** Соблюдение правил переноса ножниц для живой изгороди снижает риск случайного запуска и, как следствие, вероятность травмирования лезвиями.
- **При транспортировке или хранении ножниц для живой изгороди всегда устанавливайте кожух на лезвия.** Правильное обращение с ножницами для живой изгороди снизит вероятность травмирования лезвиями.
- **При удалении застрявшего материала или обслуживании изделия убедитесь, что все**

**выключатели питания отключены, а шнур питания отсоединен.** Непредвиденное включение ножниц для живой изгороди во время удаления застрявшего материала или техобслуживания может привести к тяжелой травме.

- **Держите ножницы для живой изгороди только за изолированные части, поскольку режущий нож может коснуться скрытой проводки или собственного шнура.** При контакте ножей с проводом, находящимся под напряжением, неизолированные металлические детали ножниц также окажутся под напряжением и могут поразить оператора электрическим током.
- **Держите все шнуры питания вдали от зоны резки.** Шнуры питания или кабели могут быть скрыты в кустах и, как следствие, случайно перерезаны ножом.
- **Запрещается использовать ножницы для живой изгороди в плохих погодных условиях, особенно если существует риск удара молнии.** Это позволяет уменьшить риск поражения молнией.
- **В целях снижения риска поражения электрическим током ни в коем случае не используйте ножницы для живой изгороди с удлинителем вблизи линий электропередачи.** Контакт с линиями электропередачи или работа изделия рядом с ними может привести к серьезным травмам или поражению электрическим током со смертельным исходом.
- **При работе с ножницами для живой изгороди с удлинителем всегда держите их двумя руками.** Удерживайте ножницы для живой изгороди с удлинителем обеими руками во избежание потери управления.
- **При работе с ножницами для живой изгороди с удлинителем выше уровня головы всегда используйте средства защиты головы.** Падающий мусор может привести к серьезным травмам.

## Общие инструкции по технике безопасности



**ПРЕДУПРЕЖДЕНИЕ:** В обязательном порядке прочитайте следующие инструкции по технике безопасности, прежде чем приступать к эксплуатации изделия.

- Во избежание случайного запуска изделия необходимо извлекать из него аккумулятор.
- При небрежном или неправильном обращении изделие может оказаться опасным инструментом. Изделие может стать причиной тяжелой травмы или смерти оператора и окружающих.
- Запрещается использовать изделие, если были изменены его исходные технические характеристики. Запрещено вносить изменения в конструкцию изделия без одобрения производителя. Используйте только рекомендованные производителем детали.

Неправильное техобслуживание может привести к травме или смертельному исходу.

- Перед началом эксплуатации проверьте изделие. См. разделы *Защитные устройства на изделии на стр. 471* и *Техническое обслуживание на стр. 477*. Не используйте неисправное изделие. Проверьте состояние защитных устройств и проводите техобслуживание в соответствии с инструкциями настоящего руководства.
- Необходимо убедиться, что дети не используют изделие в качестве игрушки. Ни при каких условиях нельзя позволять детям или иным лицам, не знакомым с правилами эксплуатации изделия и/или аккумулятора, работать с этим оборудованием или заниматься его техобслуживанием. Местные законы могут устанавливать требования к возрасту пользователя.
- Храните изделие в запечатом помещении для предотвращения доступа к изделию детей или посторонних лиц.
- Храните изделие в недоступном для детей месте.
- Ни при каких обстоятельствах не допускается внесение изменений в первоначальную конструкцию изделия без разрешения производителя. Всегда пользуйтесь только оригинальными принадлежностями. Внесение неразрешенных изменений и/или использование неразрешенных принадлежностей может привести к тяжелой травме или смерти оператора и других лиц.

**Примечание:** Эксплуатация данного изделия может регулироваться государственными или региональными законами. Соблюдайте действующие требования.

## Инструкции по технике безопасности во время эксплуатации



**ПРЕДУПРЕЖДЕНИЕ:** В обязательном порядке прочитайте следующие инструкции по технике безопасности, прежде чем приступать к эксплуатации изделия.

- В случае возникновения ситуации, в которой вы почувствуете неуверенность относительно дальнейшей работы с изделием, обратитесь за консультацией к специалисту. Свяжитесь со своим дилером или мастерской по обслуживанию. Не пытайтесь решить какую-либо задачу, если считаете, что она находится за пределами ваших возможностей.
- Ни в коем случае не приступайте к работе с инструментом, если вы устали, находитесь под воздействием алкогольных напитков или наркотиков или принимаете лекарства, которые

- могут повлиять на зрение, реакцию, координацию или оценку действительности.
- Работа в плохую погоду сильно утомляет и вызывает дополнительный риск. В связи с возникающим дополнительным риском, не рекомендуется использовать инструмент при неблагоприятных погодных условиях, например, в условиях плотного тумана, сильного дождя, порывистого ветра, низких температур, риска удара молнии и т.д.
  - Неисправное режущее оборудование увеличивает риск несчастных случаев.
  - Не позволяйте детям пользоваться изделием или находиться рядом с ним. Поскольку изделие можно запустить без особого труда, это могут сделать дети, находящиеся без должного присмотра. Это создает риск получения тяжелых травм. Поэтому в случаях, когда изделие остается без присмотра, аккумулятор должен быть отсоединен.
  - Следите за тем, чтобы во время работы в радиусе 15 м от изделия не было людей и животных. Когда на одном и том же участке одновременно работают несколько пользователей, безопасное расстояние между ними должно быть не менее 15 м. В противном случае существует риск получения серьезных травм. Если кто-нибудь подойдет ближе, немедленно остановите изделие. Никогда не поворачивайтесь с изделием, не посмотрев сначала назад и убедившись, что в зоне риска никого нет.
  - Следите за тем, чтобы люди, животные и посторонние предметы не могли помешать вам управлять изделием, а также исключите возможность их контакта с режущим оборудованием и предметами, отбрасываемыми режущим оборудованием. Тем не менее, запрещено использовать изделие в ситуации, в которой вы не сможете позвать на помощь при несчастном случае.
  - В обязательном порядке проверяйте участок работы. Уберите все свободно лежащие предметы, например, камни, разбитое стекло, гвозди, стальную проволоку, веревки и пр., которые может отбросить или намотать на свой вал режущее оборудование.
  - Убедитесь, что вы можете двигаться и стоять безопасно. Проверьте, нет ли вокруг вас возможных помех и препятствий (корней, камней, веток, ям и т.д.), если вам вдруг будет нужно быстро переместиться. Будьте особенно внимательны при работе на склонах.
  - Всегда сохраняйте хорошее равновесие и надежную опору ног. Не вытягивайте руки с устройством слишком далеко.
  - Отключите изделие, прежде чем переносить его. Если изделие не используется, устанавливайте на него транспортировочный щиток.
  - Кладите изделие на землю только после его отключения. Ни в коем случае не оставляется включенное изделие без присмотра.
  - Прежде чем передать изделие другому лицу, извлеките из него аккумулятор.
  - Следите за тем, чтобы при включении изделия одежда или части тела не соприкоснулись с режущим оборудованием.
  - Если в ходе эксплуатации изделия в режущем оборудовании застревает посторонний предмет, остановите и отключите изделие. Убедитесь, что режущее оборудование полностью остановилось. Перед проведением очистки, осмотра или ремонта изделия и/или режущего оборудования извлеките аккумулятор.
  - Не приближайте руки и ноги к режущему оборудованию, пока оно полностью не остановится после отключения изделия.
  - При работе следите за обрубками веток, которые могут быть отброшены в вашу сторону. Запрещается выполнять стрижку слишком близко к земле, поскольку при этом в вашу сторону могут быть отброшены камни и другие предметы.
  - Остерегайтесь отбрасываемых предметов. Всегда пользуйтесь рекомендованными защитными очками. Никогда не наклоняйтесь над щитком режущего оборудования. Камни, мусор и пр. могут попасть в глаза и привести к слепоте или тяжелым травмам.
  - При использовании защитных наушников обращайтесь внимание на предупреждающие сигналы или крики. Всегда снимайте наушники сразу после остановки изделия.
  - Ни в коем случае не работайте, стоя на лестнице, ступе или любом другом незакрепленном предмете.
  - Во время работы агрегат создает электромагнитное поле. В определенных обстоятельствах это поле может создавать помехи для пассивных и активных медицинских имплантатов. Во избежание риска тяжелой или смертельной травмы лицам с медицинскими имплантатами рекомендуется проконсультироваться с врачом и изготовителем имплантата, прежде чем приступать к эксплуатации данного агрегата.
  - Всегда удерживайте изделие обеими руками. Держите изделие с правой стороны от тела.
  - Каждый раз перед удалением срезанного материала, намотавшегося вокруг вала диска или застрявшего в пространстве между щитком и режущим оборудованием, в обязательном порядке остановите изделие, извлеките из него аккумулятор и убедитесь, что режущее оборудование не вращается.
  - Электромагнитное поле, образующееся в ходе работы, может создавать помехи для работы активных или пассивных медицинских имплантатов. Лицам с медицинскими имплантатами рекомендуется

проконсультироваться с врачом и изготовителем имплантата, прежде чем приступать к эксплуатации данного изделия.

- Использование оснастки поможет распределить вес изделия и упростит работу с ним.
- Продолжительное воздействие шума может повлечь неизлечимое ухудшение слуха. Husqvarna рекомендует операторам использовать одобренные средства защиты органов слуха.
- Запрещается пользоваться изделием, в конструкцию которого внесены какие-либо изменения.
- Запрещается пользоваться неисправным инструментом. Регулярно проверяйте состояние защитных приспособлений и проводите техобслуживание в соответствии с инструкциями настоящего руководства. Любые операции по ремонту и сервису, прямо не описанные в данном руководстве, выполняются только в мастерской квалифицированными специалистами. См. инструкции в разделе технического обслуживания.
- Перед началом эксплуатации изделия проведите его общий осмотр. См. график техобслуживания.
- Ни в коем случае не позволяйте использовать инструмент посторонним лицам, не убедившись сначала в том, что они прочитали и поняли содержание руководства по эксплуатации.
- Убедитесь, что в рабочей зоне отсутствуют животные или посторонние предметы, например, электрические провода и пр., а также предметы, которые могли бы повредить режущее оборудование, например, металлические изделия.
- Неисправные ножи могут повысить риск несчастных случаев.

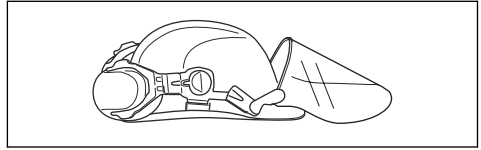
## Средства индивидуальной защиты



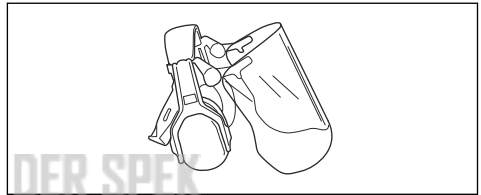
**ПРЕДУПРЕЖДЕНИЕ:** В обязательном порядке прочитайте следующие инструкции по технике безопасности, прежде чем приступать к эксплуатации изделия.

- Каждый раз при работе с изделием следует использовать одобренные средства индивидуальной защиты. Средства индивидуальной защиты не могут полностью исключить риск получения травмы, но при несчастном случае они снижают тяжесть травмы. За помощью по правильному выбору оборудования обращайтесь к дилеру.

- Используйте защитный шлем в тех случаях, когда существует вероятность падения предметов.



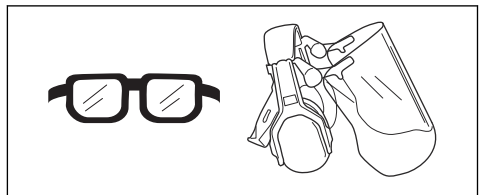
- Продолжительное воздействие шума может повлечь за собой нарушение слуха. В целом, аккумуляторные изделия отличаются относительно низким уровнем шума, но при длительном использовании все же возможно нарушение слуха. Компания Husqvarna рекомендует операторам использовать средства защиты органов слуха при непрерывной эксплуатации изделия в течение продолжительного отрезка времени. Пользователи, эксплуатирующие изделие регулярно или в течение продолжительных отрезков времени, должны регулярно проверять свой слух.



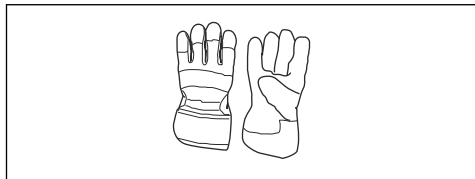
### ПРЕДУПРЕЖДЕНИЕ:

Средства защиты органов слуха приглушают звуки, в том числе предупреждающие сигналы.

- Используйте одобренные средства защиты глаз. При использовании защитной маски следует пользоваться также одобренными защитными очками. Под одобренными защитными очками подразумеваются очки, отвечающие требованиям стандарта ANSI Z87.1 для США или EN 166 для стран ЕС.



- При необходимости надевайте перчатки, например, при закреплении, проверке или очистке режущего оборудования.



- Надевайте одежду из прочного материала. Всегда надевайте длинные прочные брюки и верхнюю одежду с длинными рукавами. Запрещается надевать свободную одежду, которая может зацепиться за ветви или кустарник. Не надевайте ювелирные украшения, шорты, сандалии и не ходите босиком. Зафиксируйте волосы выше уровня плеч.
- Средства оказания первой помощи всегда должны быть под рукой.



### Защитные устройства на изделии



**ПРЕДУПРЕЖДЕНИЕ:** В обязательном порядке прочитайте следующие инструкции по технике безопасности, прежде чем приступить к эксплуатации изделия.

В данном разделе рассматриваются защитные приспособления изделия и их назначение, а также приведены проверки и процедуры технического обслуживания, которые необходимо проводить для обеспечения правильной работы. См. указания в разделе *Обзор изделия на стр. 463*, где приведено расположение этих деталей на изделии.

Срок службы изделия может быть сокращен, а риск несчастных случаев увеличен, если техническое обслуживание изделия не выполняется надлежащим образом, а сервис и/или ремонт выполнены непрофессионалом. Дополнительную информацию можно получить у ближайшего дилера по обслуживанию.



**ПРЕДУПРЕЖДЕНИЕ:** Ни в коем случае не пользуйтесь изделием с неисправными защитными приспособлениями. Техобслуживание и проверка защитных приспособлений должны выполняться так, как это описано в данном разделе. Если в результате этих проверок обнаружены неисправности

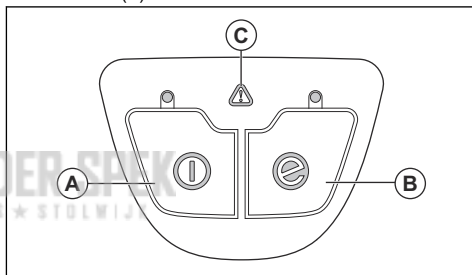
изделия, обратитесь в сервисный центр для проведения ремонта.



**ВНИМАНИЕ:** Для обслуживания и ремонта инструмента требуется специальная подготовка. Это особенно относится к защитным приспособлениям агрегата. При обнаружении одной или нескольких неисправностей (см. перечень проверок ниже) немедленно свяжитесь со специалистом по обслуживанию. При приобретении любой нашей продукции вы гарантированно получаете доступ к профессиональной помощи по ремонту и обслуживанию. Если агрегат был приобретен не у нашего сервисного дилера, узнайте адрес ближайшего сервисного центра.

### Проверка кнопочной панели

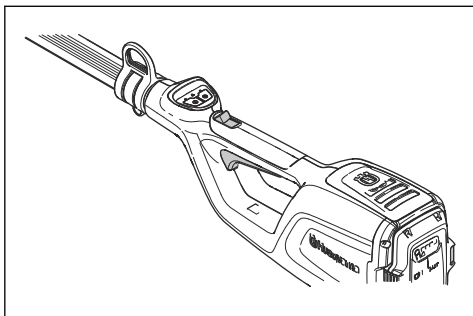
1. Нажмите и удерживайте нажатой кнопку запуска/останова (A).



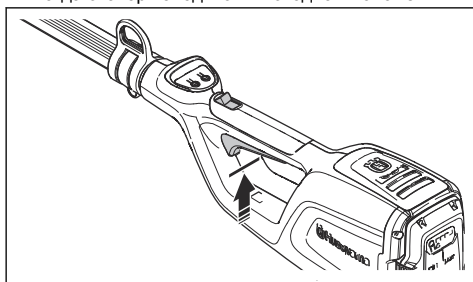
- a) Изделие включено, когда горит светодиодный индикатор.
  - b) Изделие выключено, когда светодиодный индикатор не горит.
2. Функционирование кнопки SavE (B) описано в разделе *Запуск функции SavE на стр. 476*.
  3. Если загорается или мигает предупреждающий индикатор (C), см. раздел *Поиск и устранение неисправностей на стр. 478*.

### Проверка стопора переключателя

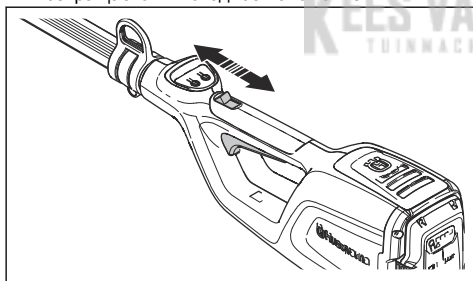
Стопор переключателя предотвращает случайное срабатывание инструмента. При отпуски ручки стопор переключателя и сам переключатель возвращаются в исходное положение.



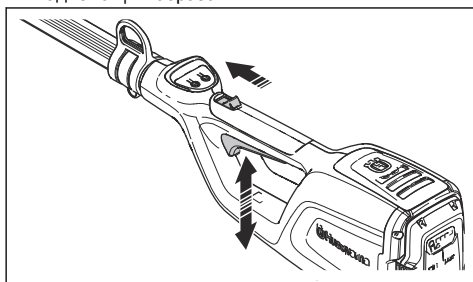
1. Убедитесь, что переключатель заблокирован, когда стопор находится в исходном положении.



2. Потяните и отпустите стопор, убедитесь, что он возвращается в исходное положение.



3. Убедитесь, что переключатель и стопор свободно перемещаются, а возвратная пружина работает надлежащим образом.



4. Запустите изделие, см. раздел *Запуск изделия на стр. 475.*

5. Включите полные обороты.
6. Отпустите переключатель и убедитесь, что режущее оборудование полностью останавливается.

## Техника безопасности при работе с аккумулятором



**ПРЕДУПРЕЖДЕНИЕ:** В обязательном порядке прочитайте следующие инструкции по технике безопасности, прежде чем приступить к эксплуатации изделия.

- Рекомендуемый аккумулятор — BLi10. См. раздел *Технические данные на стр. 480.* Для аккумуляторов используется программное обеспечение с криптографической защитой.
- Используйте перезаряжаемый аккумулятор BLi10 только с теми изделиями Husqvarna, для которых он предназначен. Во избежание травм запрещается использовать аккумулятор в качестве источника питания других агрегатов.
- Риск поражения электрическим током. Не допускайте соприкосновения клемм аккумулятора с ключами, монетами, винтами или другими металлическими предметами. Это может привести к короткому замыканию аккумулятора.
- Запрещается использовать одноразовые батарейки.
- Не размещайте посторонние предметы на воздухозаборниках аккумулятора.
- Аккумулятор не должен подвергаться воздействию солнечного света, тепла или открытого пламени. Аккумулятор может стать причиной ожогов, в том числе химических.
- Защищайте аккумулятор от дождя и сырости.
- Не подвергайте аккумулятор воздействию микроволн и высокого давления.
- Не пытайтесь разбирать или ломать аккумулятор.
- При возникновении утечки из аккумулятора не допускайте попадания жидкости на кожу или в глаза. Если вы прикоснулись к жидкости, промойте участок контакта большим количеством воды с мылом и обратитесь за медицинской помощью. При попадании жидкости в глаза нельзя их тереть. Необходимо промывать глаза обильным количеством воды на протяжении не менее 15 минут, а затем обратиться за медицинской помощью.
- Используйте аккумулятор при температуре в диапазоне от  $-10\text{ }^{\circ}\text{C}$  ( $14\text{ }^{\circ}\text{F}$ ) до  $40\text{ }^{\circ}\text{C}$  ( $114\text{ }^{\circ}\text{F}$ ).
- Очистка аккумулятора или зарядного устройства водой запрещена. См. раздел *Очистка изделия, аккумулятора и зарядного устройства на стр. 477.*
- Запрещается использовать неисправный или поврежденный аккумулятор.



- Храните аккумуляторы вдали от металлических предметов, таких как гвозди, винты или ювелирные изделия.
- Храните аккумулятор в недоступном для детей месте.

## Техника безопасности при работе с зарядным устройством аккумулятора



**ПРЕДУПРЕЖДЕНИЕ:** В обязательном порядке прочитайте следующие инструкции по технике безопасности, прежде чем приступать к эксплуатации изделия.

- Риск поражения электрическим током или короткого замыкания в случае несоблюдения инструкций по технике безопасности.
- Используйте только то зарядное устройство, которое входит в комплект поставки изделия. Для аккумулятора BLi10 рекомендуется использовать зарядное устройство QC80.
- Не пытайтесь разбирать зарядное устройство.
- Запрещается использовать неисправное или поврежденное зарядное устройство.
- Не поднимайте зарядное устройство за кабель питания. Для отсоединения зарядного устройства от сетевой розетки потяните за вилку. Не тяните за шнур питания.
- Кабели и удлинители не должны контактировать с водой, маслом и с острыми краями. Убедитесь, что кабель не застрял в препятствии, например, в двери, заборе и т.д.
- Запрещается использовать зарядное устройство вблизи легковоспламеняющихся материалов и материалов, которые вызывают коррозию. Убедитесь, что зарядное устройство не накрыто чем-либо. Вытащите вилку зарядного устройства из розетки в случае появления дыма или огня.
- Заряжайте аккумулятор только в хорошо проветриваемом помещении вдали от солнечных лучей. Запрещается заряжать аккумулятор на улице. Запрещается заряжать аккумулятор в условиях высокой влажности.
- Используйте зарядное устройство только при температуре в диапазоне от 5 °C (41 °F) до 40 °C (104 °F). Используйте зарядное устройство в хорошо проветриваемых, сухих помещениях, защищенных от пыли.
- Не вставляйте посторонние предметы в воздухозаборники зарядного устройства, предназначенные для его охлаждения.
- Не подсоединяйте металлические предметы к клеммам зарядного устройства, т.к. это может привести к короткому замыканию зарядного устройства.

- Используйте одобренные сетевые розетки, которые находятся в исправном состоянии. Убедитесь, что шнур зарядного устройства не поврежден. В случае использования удлинительных кабелей следите за их целостностью.

## Инструкции по технике безопасности во время технического обслуживания



**ПРЕДУПРЕЖДЕНИЕ:** В обязательном порядке прочитайте следующие инструкции по технике безопасности, прежде чем приступать к техобслуживанию изделия.

- Перед сборкой изделия, проведением техобслуживания или иных проверок извлекайте из него аккумулятор.
- Оператор может выполнять только те работы по техническому и сервисному обслуживанию, которые описаны в данном руководстве по эксплуатации. Для проведения более сложных работ по техническому и сервисному обслуживанию обращайтесь к своему дилеру по обслуживанию.
- Очистка аккумулятора или зарядного устройства водой запрещена. Использование сильного моющего средства может повредить пластмассу.
- При невыполнении работ по техобслуживанию срок службы изделия сокращается, а риск возникновения несчастных случаев увеличивается.
- Для выполнения любых работ по сервисному обслуживанию и ремонту, особенно защитных приспособлений изделия, необходимо пройти специальное обучение. Если после выполнения обслуживания при проведении проверок были выявлены неисправности, обратитесь к своему дилеру по обслуживанию. Мы гарантируем, что ремонт и обслуживание вашего изделия будут выполняться квалифицированными профессионалами.
- Режущие зубья ножа должны быть правильно заточены. Следуйте нашим рекомендациям. Инструкции по заточке также приведены на упаковке ножа.
- Используйте только оригинальные запчасти.
- При ремонте режущего оборудования в обязательном порядке надевайте высокопрочные перчатки. Ножи очень острые, они могут легко нанести раны.

## Сборка

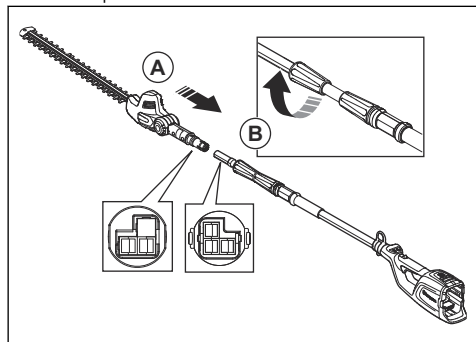
### Введение



**ПРЕДУПРЕЖДЕНИЕ:** Перед сборкой изделия внимательно изучите раздел техники безопасности.

### Сборка штанги

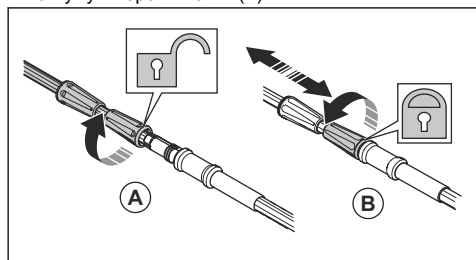
1. Убедитесь, что электрические разъемы совмещены.



2. Полностью соедините концы штанги (А).
3. Затяните резьбовую рукоятку на штанге со стороны режущей головки ножниц (В).

### Регулировка длины штанги

1. Ослабьте резьбовую рукоятку на стороне блока аккумуляторов штанги (А).

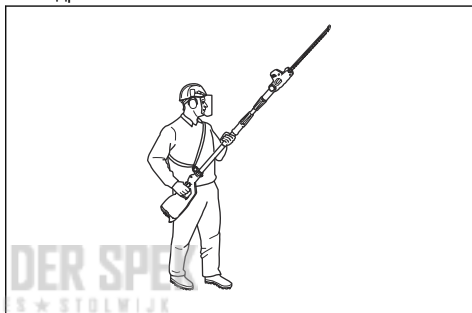


2. Отрегулируйте штангу до надлежащей длины.
3. Заверните резьбовую рукоятку (В).

### Регулировка оснастки

Всегда пользуйтесь оснасткой при работе с изделием. Оснастка обеспечивает максимальный контроль над изделием при работе с ним. Оснастка также снижает риск усталости рук и спины.

1. Наденьте оснастку.
2. Прикрепите изделие к подвесному крюку оснастки.
3. Отрегулируйте длину оснастки, пока подвесной крюк не окажется примерно на уровне правого бедра.



## Эксплуатация

### Введение



**ПРЕДУПРЕЖДЕНИЕ:** Перед эксплуатацией изделия внимательно изучите раздел техники безопасности.

### Перед началом эксплуатации изделия

1. Проверьте рабочую зону. Уберите предметы, которые могут быть отброшены в сторону при работе изделия.

2. Осмотрите режущее оборудование. Ножи должны быть острыми, не иметь трещин и повреждений.
3. Убедитесь, что изделие работает исправно. Проверьте надежность затяжки всех гаек и винтов.
4. Убедитесь, что рукоятка и защитные устройства не повреждены и установлены надлежащим образом. Не включайте инструмент, если какие-либо компоненты отсутствуют или технические характеристики изменены по сравнению с исходными. При необходимости наденьте защитные перчатки.
5. Прежде чем включать инструмент, убедитесь, что на крышках нет повреждений и что они установлены надлежащим образом.

## Подключение зарядного устройства

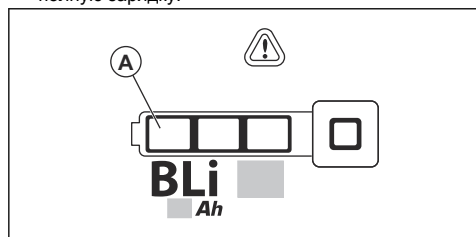
1. Подсоединяйте зарядное устройство к сети питания с напряжением и частотой, указанными на паспортной табличке.
2. Вставьте вилку в заземленную розетку. Светодиод на зарядном устройстве мигнет зеленым цветом один раз.

**Примечание:** Аккумулятор не заряжается, если температура аккумулятора превышает 50 °C/122 °F. Если температура превышает значение 50 °C/122 °F, зарядное устройство начинает охлаждать аккумулятор, прежде чем приступить к его зарядке.

## Подключение аккумулятора к зарядному устройству

**Примечание:** Зарядите аккумулятор, если он используется вами в первый раз. Уровень заряда нового аккумулятора составляет 30 %.

1. Убедитесь, что аккумулятор сухой.
2. Подключите аккумулятор к зарядному устройству.
3. Убедитесь, что на зарядном устройстве загорается зеленый индикатор зарядки. Данный индикатор означает, что аккумулятор правильно подсоединен к зарядному устройству.
4. Когда на аккумуляторе загорятся все светодиодные индикаторы (A), это означает полную зарядку.



5. Для отсоединения зарядного устройства от сетевой розетки потяните за вилку. Не тяните за шнур.
6. Извлеките аккумулятор из зарядного устройства.

**Примечание:** Дополнительную информацию см. в руководствах по эксплуатации аккумулятора и зарядного устройства.

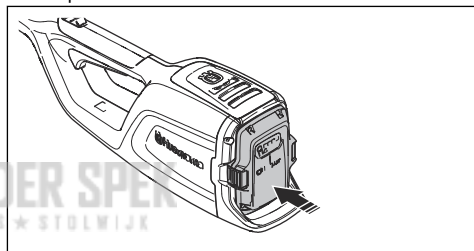
## Подключение аккумулятора к изделию



### ПРЕДУПРЕЖДЕНИЕ:

Используйте с данным изделием только оригинальные аккумуляторы Husqvarna.

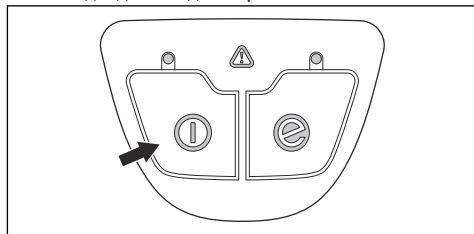
1. Убедитесь, что аккумулятор полностью заряжен.
2. Вставьте аккумулятор в держатель аккумулятора на изделии. Аккумулятор должен легко войти в держатель, в противном случае он установлен неправильно.



3. Надавите на нижнюю часть аккумулятора и вставьте его полностью в держатель аккумулятора. При фиксации аккумулятора на месте слышится щелчок.
4. Убедитесь, что защелки правильно фиксируются на месте.

## Запуск изделия

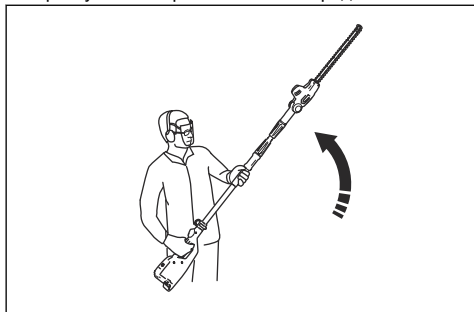
1. Нажмите и удерживайте нажатой кнопку запуска/останова, пока не загорится зеленый светодиодный индикатор.



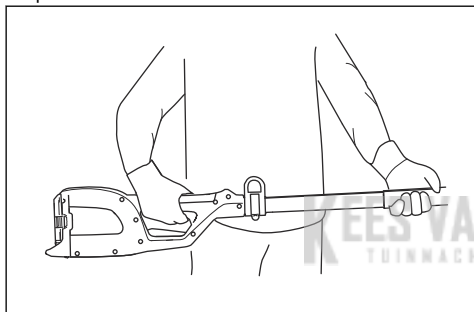
2. Потяните стопор переключателя назад и удерживайте переключатель нажатым.

## Эксплуатация изделия

- Включать изделие следует низко над землей, только после этого разрешается поднять его и приступить к обрезке живой изгороди.



- Для большей устойчивости следует держать изделие на небольшом, но безопасном расстоянии от вашего тела.

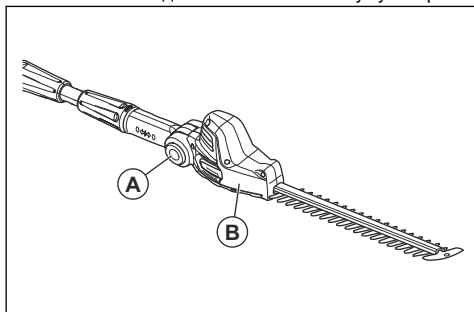


- Следите за тем, чтобы кончик режущего оборудования не касался земли.
- Будьте осторожны, работайте медленно, пока все ветви не будут подрезаны до необходимой длины.

## Регулировка угла режущего оборудования

Предусмотрено 7 положений регулировки режущего оборудования.

1. Остановите изделие и извлеките аккумулятор.

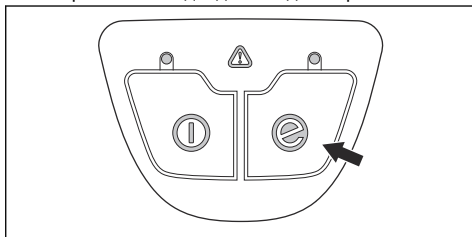


2. Крепко держите корпус (B).
3. Нажмите и удерживайте кнопки блокировки (A) с 2 сторон корпуса (B).
4. Установите режущее оборудование под нужным углом.
5. Отпустите кнопки блокировки (A) с 2 сторон.
6. Перемещайте корпус (B) вверх и вниз, пока режущее оборудование не зафиксируется.

## Запуск функции SavE

Изделие оснащено функцией SavE. Функция SavE позволяет значительно продлить время работы от аккумулятора.

1. Нажмите кнопку SavE. При активации функции загорается светодиодный индикатор.



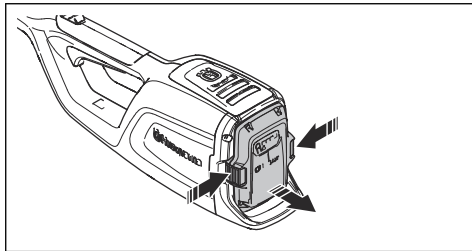
2. Чтобы отключить функцию SavE, повторно нажмите кнопку SavE.

## Функция автоматической остановки

Изделие оснащено функцией автоматической остановки, которая обеспечивает остановку изделия, когда оно не используется. Зеленый светодиодный индикатор запуска/останова гаснет, и изделие останавливается через 60 секунд.

## Остановка изделия

1. Отпустите переключатель.
2. Нажмите и удерживайте нажатой кнопку запуска/остановки до тех пор, пока зеленый светодиодный индикатор не погаснет.
3. Извлеките из изделия аккумулятор. Нажмите на 2 кнопки фиксатора и извлеките аккумулятор.



# Техническое обслуживание

## Введение



**ПРЕДУПРЕЖДЕНИЕ:** Перед проведением технического обслуживания изделия внимательно изучите раздел техники безопасности.



**ПРЕДУПРЕЖДЕНИЕ:** Перед выполнением технического обслуживания изделия извлеките аккумулятор.

## График технического обслуживания

Ниже приведен перечень необходимых для выполнения процедур технического обслуживания изделия.

Техническое обслуживание	Перед использованием	Ежедневно	Ежемесячно
Очистите наружные части изделия.	X		
Проверьте исправность и отсутствие повреждений переключателя запуска/останова.	X		
Убедитесь, что переключатель и стопор переключателя работают надлежащим образом.	X		
Убедитесь, что все органы управления исправны и не повреждены.	X		
Убедитесь, что на режущем ноже и кожухе ножа нет трещин и повреждений. Замените режущий нож и кожух ножа, если на них имеются трещины или следы ударов.	X		
Если режущий нож погнут или поврежден, замените его.	X		
Проверьте затяжку винтов и гаек.	X		
Проверьте аккумулятор на наличие повреждений.	X		
Убедитесь, что аккумулятор заряжен.	X		
Проверьте зарядное устройство на наличие повреждений.	X		
Убедитесь, что винты, фиксирующие режущие ножи, надежно затянуты.		X	
Проверьте соединения между аккумулятором и изделием. Проверьте соединение между аккумулятором и зарядным устройством.			X

## Проверка аккумулятора и зарядного устройства

1. Проверьте аккумулятор на наличие повреждений, например, трещин.
2. Проверьте зарядное устройство на наличие повреждений, например, трещин.
3. Проверьте соединительный шнур зарядного устройства на наличие повреждений или трещин.

## Очистка изделия, аккумулятора и зарядного устройства

1. После использования очистите изделие сухой тканью.
2. Очистите аккумулятор и зарядное устройство сухой тканью. Направляющие аккумулятора должны быть очищены от грязи.
3. Перед установкой аккумулятора в зарядное устройство или изделие убедитесь, что клеммы аккумулятора и зарядного устройства не загрязнены.

## Осмотр режущего ножа

1. До и после эксплуатации очищайте режущие ножи от нежелательных материалов с использованием противокоррозионного чистящего вещества.
2. Проверьте края режущего ножа на наличие повреждений и деформации.
3. Удалите заусенцы на режущем ноже с помощью напильника.
4. Убедитесь, что режущие ножи свободно перемещаются.

## Очистка и смазка ножей

1. Ножи необходимо очищать от посторонних материалов до и после эксплуатации.
2. Смажьте ножи перед помещением изделия на продолжительное хранение.

**Примечание:** Для получения информации о рекомендованных чистящих средствах и смазке обратитесь к своему сервисному дилеру.

## Смазка редуктора

Нанесите смазку на корпус редуктора, если он был разобран авторизованным дилером по обслуживанию.

- Используйте специальную смазку Husqvarna. Для получения информации о смазке обратитесь к своему дилеру по обслуживанию.
- Используйте только небольшое количество специальной высококачественной смазки.



**ВНИМАНИЕ:** Не заполняйте корпус редуктора до максимальной отметки.

## Поиск и устранение неисправностей

### Клавиатура

Светодиодный экран	Возможные неисправности	Возможные решения
Мигает светодиодный индикатор ошибки.	Перегрузка	Режущее оборудование не может свободно перемещаться. Освободите режущее оборудование.
Изделие не запускается.	Разъемы аккумулятора загрязнены.	Очистите разъемы аккумулятора сжатым воздухом или мягкой щеткой.
Светодиодный индикатор ошибки загорается красным светом.	Необходимо выполнить техническое обслуживание изделия.	Обратитесь к своему дилеру по обслуживанию.

### Аккумулятор

Светодиодный дисплей	Возможные неисправности	Возможные действия
Мигает зеленый светодиодный индикатор.	Аккумулятор разряжен.	Зарядите аккумулятор.
Мигает светодиодный индикатор ошибки.	Отклонение температуры.	Используйте аккумулятор при температуре в диапазоне от -10 °C (14 °F) до 40 °C (104 °F).
	Слишком высокое напряжение.	Убедитесь, что напряжение в сети соответствует значению, указанному на паспортной табличке изделия. Извлеките аккумулятор из зарядного устройства.
Горит светодиодный индикатор ошибки.	Слишком большая разница в напряжении ячеек (1 В).	Обратитесь к своему дилеру по обслуживанию.

## Зарядное устройство

Проблема	Возможные неисправности	Возможные варианты решения
Мигает красный светодиод ошибки.	Отклонение температуры.	Используйте зарядное устройство при температуре в диапазоне от 5 °C (41 °F) до 40 °C (104 °F).
Горит красный светодиод ошибки.	Слишком большая разница в напряжении ячеек (1 В).	Обратитесь к своему дилеру по обслуживанию.

## Транспортировка, хранение и утилизация

### Транспортировка и хранение

- Входящие в комплект литий-ионные аккумуляторы соответствуют требованиям законодательства в отношении опасных товаров.
- Соблюдайте особые требования к упаковке и этикеткам для коммерческих перевозок, в том числе третьими лицами и экспедиторами.
- Перед отправкой/транспортировкой изделия обратитесь к человеку, прошедшему специальную подготовку по работе с опасными материалами. Соблюдайте все применимые государственные нормативы.
- При помещении аккумулятора в упаковку заклейте лентой открытые контакты. Плотно упакуйте аккумулятор для предотвращения его движения.
- Перед хранением или транспортировкой аккумулятор необходимо извлекать из изделия.
- Храните аккумулятор и зарядное устройство в сухом помещении, не подверженном воздействию влаги и низких температур.
- Не допускается хранение аккумулятора в местах, где возможно возникновение статического электричества. Нельзя хранить аккумулятор в металлической коробке.
- Храните аккумулятор при температуре в диапазоне 5-25 °C / 41-77 °F, вдали от прямых солнечных лучей.
- Храните зарядное устройство для аккумулятора при температуре в диапазоне 5-45 °C / 41-113 °F, вдали от прямых солнечных лучей.
- Используйте зарядное устройство только при температуре окружающей среды в диапазоне 5-40 °C / 41-104 °F.
- Перед помещением аккумулятора на длительное хранение зарядите его до 30-50%.
- Храните зарядное устройство в сухом закрытом помещении.
- Храните аккумулятор отдельно от зарядного устройства. Не позволяйте притрагиваться к оборудованию детям и другим лицам, не имеющим соответствующего разрешения. Храните оборудование в месте, которое можно запечатать.
- Перед помещением изделия на длительное хранение очистите его от загрязнений и проведите полное обслуживание.
- Во избежание травм или повреждений во время транспортировки и хранения изделия используйте транспортировочные щитки.
- Надежно закрепляйте изделие на время транспортировки.

### Утилизация аккумулятора, зарядного устройства и изделия

Символы на изделии или упаковке изделия указывают на то, что изделие запрещается утилизировать как бытовые отходы. Изделие необходимо передать в пункт переработки электрического и электронного оборудования. Это поможет предотвратить отрицательное воздействие на окружающую среду и здоровье людей.

Свяжитесь с местными органами власти, службой по утилизации бытовых отходов или дилером для получения дополнительной информации о том, как направить изделие на вторичную переработку.

## Технические данные

### Технические данные

	120ПТК4-Н
<b>Электродвигатель</b>	
Тип двигателя	PMDC 36V
<b>Масса</b>	
Вес без аккумулятора, кг	4,6
Вес с аккумулятором (по умолчанию аккумулятор BLi10), кг	5,3
<b>Излучение шума<sup>79</sup></b>	
Уровень мощности звука, измеренный, дБ(А)	91,32
Уровень мощности звука, гарантированный, L <sub>WA</sub> дБ(А)	94
<b>Уровни шума<sup>80</sup></b>	
Уровень шумового давления на уровне уха пользователя, измеренный согласно EN 62841-1 и EN 62841-4-2, дБ(А)	81,3
<b>Уровни вибрации<sup>81</sup></b>	
Уровни вибрации (a <sub>h</sub> ), на передней/задней рукоятке, м/с <sup>2</sup> См. EN 62841-1 и EN 62841-4-2.	1,223/0,816
<b>Режущее оборудование</b>	
Тип	Двухсторонние
Длина ножа, мм	500
Частота вращения ножа, резов/мин, в режиме SavE	2250
Частота вращения ножа, резов/мин, режим SavE отключен	2800

<sup>79</sup> Излучение шума в окружающую среду измеряется как мощность звука (L<sub>WA</sub>) согласно директиве ЕС 2000/14/ЕС. Разница между гарантированной и измеренной мощностью звука заключается в том, что гарантированная мощность звука включает результаты измерений как диапазон и их отклонение для изделий одной и той же модели согласно директиве 2000/14/ЕС.

<sup>80</sup> Типичный статистический разброс для эквивалентного шумового давления — это стандартное отклонение 3 дБ (А).

<sup>81</sup> Указанные данные об уровне вибрации имеют типичный статистический разброс (стандартное отклонение) 1,5 м/с<sup>2</sup>.

Заявленное суммарное значение вибрации измерено в соответствии со стандартным методом испытания и может быть использовано для сравнения одного инструмента с другим.

Заявленное суммарное значение вибрации может также использоваться для предварительной оценки воздействия.



## Рекомендованные зарядные устройства

Зарядное устройство	QC80
Входное напряжение, В	100-240
Частота, Гц	50-60
Мощность, Вт	100
Выходное напряжение, В пост. тока/А	36/2

## Рекомендованные аккумуляторы для изделия

Аккумулятор	BLi10
Тип	Литий-ионный
Емкость аккумулятора, А·ч	См. паспортную табличку аккумулятора
Номинальное напряжение, В	36
Масса, кг	0,7

**KEES VAN DER SPEK**  
TUINMACHINES ★ STOLWIJK

---

# Декларация соответствия ЕС

---

## Декларация соответствия ЕС

**Husqvarna AB**, SE-561 82 Huskvarna, Швеция, тел.: +46-36-146500, настоящим заявляет, что штанговые ножницы для живой изгороди **Husqvarna 120ITK4-N** с серийными номерами от 2021 года и далее (год производства четко указан на паспортной табличке рядом с серийным номером) соответствуют требованиям ДИРЕКТИВ СОВЕТА ЕС:

- от 17 мая 2006 года "о механическом оборудовании" **2006/42/ЕС**.
- от 26 февраля 2014 года "об электромагнитной совместимости" **2014/30/EU**.
- от 8 июня 2011 года "об ограничении по использованию опасных веществ" **2011/65/EU**.

Применяются следующие стандарты:

**EN 62841-1:2015, EN 62841-4-2:2019, EN 55014-1:2017+A11, EN 55014-2:2015, CISPR12:2007+A1 2009, EN IEC 63000:2018.**

Организация TÜV Rheinland LGA Products GmbH, Tillystrasse 2, D-90431 Nuernberg, Germany по собственному желанию осуществила типовую проверку от имени компании Husqvarna AB. Сертификату присвоен номер: **AM 50491653 0001**.

Huskvarna 2020-12-30

**KEES VAN DER SPEK**  
TUINMACHINES \* STOLWIJK



Пер Мартинссон (Pär Martinsson), директор Отдела разработок (уполномоченный представитель компании Husqvarna AB и ответственный за техническую документацию)

141400, Московская обл., Г. Химки, ул. Ленинградская, владение 39, строение 6, здание II этаж 4, помещение ОВ02\_04, телефон горячей линии 8-800-200-1689

## İçindekiler

Giriş.....	483	Sorun giderme.....	495
Güvenlik.....	485	Taşıma, depolama ve atma.....	496
Montaj.....	491	Teknik veriler.....	497
Çalışma.....	492	AT Uyumluluk Bildirimi.....	499
Bakım.....	494		

## Giriş

### Ürün açıklaması

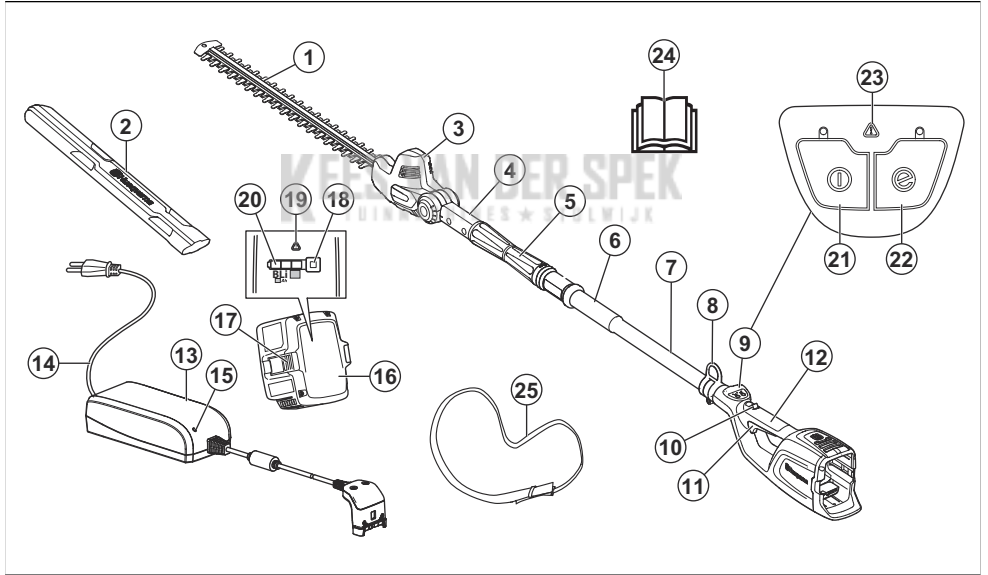
Husqvarna 120iTK4-H , akülü teleskopik uzun şaftlı çit düzelticidir.

Kullanım sırasında güvenliğinizi ve verimliliği artırmak için sürekli olarak çalışmalar yapılmaktadır. Daha fazla bilgi için lütfen servis bayinizle görüşün.

### Kullanım amacı

Ürünü dalları ve çalılar kesmek için kullanın. Ürünü başka işler için kullanmayın.

### Ürüne genel bakış



1. Bıçak
2. Nakliye koruyucusu
3. Muhafaza
4. Konum ayırma kolu
5. Teleskopik işlev
6. Ön tutma yeri
7. Mil
8. Kuşam askılık destek kancası
9. Tuş takımı
10. Güç tetiği kilidi
11. Güç tetiği
12. Arka tutma yeri
13. Akü Şarj Cihazı
14. Kordon
15. Güç/Uyarı LED'i
16. Akü
17. Akü çıkarma düğmeleri
18. Akü göstere düğmesi
19. Uyarı LED'i
20. Akü göstere LED'i

21. Çalıştırma/Durdurma düğmesi
22. SavE düğmesi
23. Uyarı LED'i
24. Kullanım kılavuzu
25. Taşıma askısı

## Ürün üzerindeki semboller



**UYARI!** Bu ürün tehlikelidir. Ürün dikkatli ve doğru bir şekilde kullanılmazsa operatör veya yakındaki kimseler yaralanabilir veya ölebilir. Operatörün veya yakındaki kimselerin yaralanmasını önlemek için kullanım kılavuzundaki tüm güvenlik talimatlarını okuyup bunlara uyun. Lütfen kullanım kılavuzunu dikkatle okuyun ve kullanımdan önce talimatları anladığınızdan emin olun.



Üzerinize nesne düşebilecek yerlerde koruyucu baret kullanın. Onaylanmış kulak koruma ekipmanı kullanın. Onaylı koruyucu gözlük kullanın.



Onaylı koruyucu eldiven kullanın.



Ürün, geçerli AT direktiflerine uygundur.

Nominal voltaj, V



Doğru akım.



Yağmura maruz bırakmayın.



Ellerinizi bıçaktan uzak tutun.



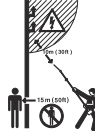
Teleskopik işlev.



Ayırma işlevi.



Topuzu gevşetmek için sola, sıkmak için sağa çevirin.



Bu üründe yalıtım yoktur. Ürün, yüksek voltajlı güç hattına yaklaşırsa veya temas ederse ölüme ya da ciddi yaralanmaya yol açabilir. Akım, ark yaparak bir noktadan diğerine sıçrayabilir. Voltaj ne kadar yüksekse akımın sıçrama mesafesi de o kadar uzundur. Akım, özellikle ıslak olduklarında dallardan ve diğer nesnelere de geçebilir. Ürün ve yüksek voltajlı güç hatları ve/veya bunlara temas eden tüm nesnelere arasında en az 10 m mesafe bırakın. Bu güvenli mesafenin dahilinde çalışmanız gerekirse çalışmaya başlamadan önce her zaman ilgili elektrik şirketiyle iletişime geçerek gücün kesildiğinden emin olmanız gerekir. Çalışma sırasında diğer kişilerle veya hayvanlarla aranızda en az 15 m mesafe bırakın.

yyyyhhxxxx

Nominal değerler plakası, seri numarasını gösterir. yyyy üretim yılı, hh ise üretim haftasıdır.

**Not:** Ürünün üzerindeki diğer semboller/etiketler, bazı pazarların sertifikalandırma gereklilikleri ile ilgilidir.

## Akü ve/veya akü şarj cihazı üzerindeki semboller



Bu ürünü, elektrikli ve elektronik ekipmanlar için bir geri dönüşüm istasyonunda geri dönüştürün. (Sadece Avrupa için geçerlidir)



Anıza emniyetli dönüştürücü.



Akü şarj cihazını sadece kapalı mekanlarda kullanın ve saklayın.



Çift yalıtım.

## Ürün sorumluluğu

Ürün sorumluluğu yasalarında belirtildiği üzere;

- ürünün hatalı bir şekilde onarılması,
- ürünün, üretici tarafından onaylanmayan veya üreticiden alınmayan parçalarla tamir edilmesi,

- üründe, üreticiden alınmayan veya üretici tarafından onaylanmayan bir aksesuar bulunması,

- ve ürünün, onaylı bir servis merkezinde veya yetkili bir kurum tarafından tamir edilmemesi durumunda oluşabilecek hasarlardan sorumlu değildir.

## Güvenlik

### Güvenlik tanımları

Kılavuzdaki önemli kısımları vurgulamak için uyarılar ve notlar kullanılmıştır.



**UYARI:** Kılavuzdaki talimatlara uyulmadığı takdirde operatör veya çevredeki kişiler için ciddi yaralanma veya ölüm tehlikesi varsa kullanılır.



**DİKKAT:** Kılavuzdaki talimatlara uyulmadığı takdirde ürünün, diğer malzemelerin veya çevrenin zarar görme riski olduğunda kullanılır.

**Not:** Belirli bir durumda bilgi verilmesi gerektiğinde kullanılır.

### Genel elektrikli alet güvenlik uyarıları



**UYARI:** Tüm güvenlik uyarılarını ve talimatları okuyun. Uyarılar ve talimatların göz ardı edilmesi elektrik çarpmasına, yangına ve/veya ciddi yaralanmaya neden olabilir.

**Not:** Tüm uyarı ve talimatları ilerde başvurmak üzere saklayın. Uyarılardaki "elektrikli alet" ifadesi, şebeke akımıyla çalışan (kablolu) elektrikli aletinizi veya aküyle çalışan (kablesiz) elektrikli aletinizi belirtmektedir.

### Çalışma alanı güvenliği

- Çalışma alanını temiz ve iyi aydınlatılmış tutun. Kalabalık veya karanlık alanlar kazalara neden olabilir.
- Elektrikli aletleri yanıcı sıvıların, gazların veya tozların bulunduğu patlayıcı ortamlarda çalıştırmayın. Elektrikli aletler, toz veya gazı ateşleyebilecek kıvılcımlar çıkarır.
- Elektrikli aletleri kullanırken çocukları ve yanınızdakileri uzakta tutun. Dikkatinizin dağılması, kontrolü kaybetmenize neden olabilir.

### Elektrik güvenliği

- Elektrikli aletlerin fişleri prize uygun olmalıdır. Hiçbir zaman fişler üzerinde herhangi bir değişiklik yapmayın. Topraklı elektrikli aletlerle herhangi bir adaptör fiş kullanmayın. Değiştirilmemiş fişler ve uygun prizler, elektrik çarpması riskini azaltır.

- Boru, radyatör, fırın, buzdolabı gibi topraklı yüzeylerle vücut temasından kaçının. Vücudunuz topraklı ise elektrik çarpması riski artar.
- Elektrikli aletleri yağmura veya ıslak koşullara maruz bırakmayın. Elektrikli aletin içine giren su, elektrik çarpması riskini artırır.
- Kabloyu kötü kullanmayın. Kabloyu asla elektrikli aleti taşımak, çekmek veya fişini çıkarmak için kullanmayın. Kabloyu ısıdan, yağdan, keskin kenarlardan veya hareketli parçalardan uzakta tutun. Hasar görmüş veya dolaşmış kablolar, elektrik çarpması riskini artırır.
- Elektrikli aleti dış mekanda çalıştırırken dış mekanda kullanımına uygun bir kordon kullanmak, elektrik çarpması riskini azaltır.
- Elektrikli aleti mutlakada nemli bir ortamda çalıştırmamız gerekiyorsa artık akım cihazı (RCD) korumalı bir güç kaynağı kullanın. RCD kullanmak elektrik şoku riskini azaltır.

### Kişisel güvenlik

- Elektrikli aletleri kullanırken dikkatinizi yaptığınız işe verin ve sağduyulu olun. Yorgunken veya uyuşturucu, alkol ya da ilaç etkisi altındayken elektrikli aletleri kullanmayın. Elektrikli alet kullanırken bir anlık bir dikkatsizlik, ciddi yaralanmaya neden olabilir.
- Kişisel koruyucu araçlar kullanın. Daima koruyucu gözlük takın. Uygun durumlarda toz maskesi, kaymayan güvenlik ayakkabıları, çelik başlık veya kulak koruma ekipmanı gibi koruyucu ekipman kullanımı yaralanmaları azaltır.
- Makinenin kendiliğinden çalışmasını önleyin. Güç kaynağına ve/veya akü grubuna bağlamadan, aracı kaldırmadan veya taşımadan önce anahtarın KAPALI konumunda olduğundan emin olun. Elektrikli aletleri parmağınızın çalıştırma düğmesindeyken taşımak veya açık elektrikli aletlere enerji vermek kazalara davetiye çıkarır.
- Elektrikli aleti açmadan önce ayarlama anahtarlarını veya İngiliz anahtarlarını çıkarın. Elektrikli aletin dönen kısmına takılı bırakılan İngiliz anahtarları veya anahtar yaralanmaya neden olabilir.
- Makineyi kullanırken erişim alanınızın dışındaki yerlere uzanmaya çalışmayın. Her zaman yere sağlam basın ve dengeyi koruyun. Bu, elektrikli aletin beklenmedik durumlarda daha iyi kontrolünü sağlar.
- Uygun giyinin. Bol elbise veya takı giymeyin. Saçınızı ve kıyafetinizi hareketli parçalardan uzakta tutun. Bol elbiseler, takılar veya uzun saç hareketli parçalara takılabilir.

- **Cihazlar toz çekme ve toplama takımı bağlantısı ile geldiyse bunların bağlı olduğundan ve düzgün kullanıldığından emin olun.** Toz toplama özelliği tozla ilgili tehlikeleri azaltabilir.
- **Aletleri sık kullanmanın verdiği aşinalıkla kendinizi rahat hissedip alet güvenlik ilkelerini görmezden gelmeyin.** Dikkatsizce gerçekleştirilen işlemler bir anda ciddi yaralanmalara neden olabilir.
- Elektrikli aletin kullanımı sırasında meydana gelen titreşim emisyonu, aletin kullanıldığı şekle bağlı olarak belirtilen toplam değerden farklılık gösterebilir. Operatörler, gerçek kullanım koşullarını ve ortamlarını dikkate alarak kendilerini koruyacak doğru önlemleri belirlemelidir (aletin kapalı kaldığı ve rölantide çalıştığı zamanlar gibi çalışma zamanlarıyla ilgili tüm hususlar dikkate alınmalıdır).

## Elektrikli alet kullanımı ve bakımı

- **Elektrikli aleti zorlamayın. Yapacağınız iş için uygun olan elektrikli aleti kullanın.** Doğru elektrikli alet, tasarlandığı oranda işi daha iyi ve güvenli yapar.
- **Anahtar, elektrikli aleti açıp kapatmıyorsa elektrikli aleti kullanmayın.** Anahtar ile kontrol edilemeyen elektrikli aletler tehlikelidir ve onarılmalıdır.
- **Herhangi bir ayarlama yapmadan, aksesuar değiştirmeden veya elektrikli aletleri saklamadan önce elektrikli aletin güç kaynağı fişini çekin ve/veya akü grubunu çıkarın.** Bu tür önleyici güvenlik önlemleri, elektrikli aletin kazara çalıştırılma riskini azaltır.
- **Kullanılmayan elektrikli aletleri çocukların erişemeyeceği yerde saklayın ve elektrikli alete veya elektrikli aleti kullanmak üzere bu talimatlara yabancı olan kişilere izin vermeyin.** Elektrikli aletler, eğitimsiz kullanıcıların elinde tehlikelidir.
- **Elektrikli aletlerin bakımını yapın. Hareketli parçaların yanlış konumlandırılması veya takılması, parçaların kırılması ve elektrikli aletin çalışmasını etkileyebilecek herhangi bir durum olup olmadığını kontrol edin. Hasarlı ise kullanmadan önce elektrikli aleti tamir ettirin.** Çoğu kaza yetersiz bakım yapılmış elektrikli aletlerden kaynaklanmaktadır.
- **Kesme araçlarını keskin ve temiz tutun.** Bakımı düzgün yapılmış, kesen tarafları yeterli keskinlikte olan kesme araçlarının takılma ihtimali daha az olup kontrol etmesi daha kolaydır.
- **Elektrikli alet, aksesuarlar, araç parçaları vb. bileşenleri, çalışma koşullarını ve yapılacak işi göz önünde tutarak bu talimatlara uygun şekilde kullanın.** Elektrikli aletin düşünülen amaçlar dışında kullanılması tehlikeli bir duruma yol açabilir.
- **Tutma yerlerini ve kavrama yüzeylerini kuru, temiz, gres ve yağdan arındırılmış halde tutun.** Kaygan tutma yerleri ve kavrama yüzeyleri beklenmedik durumlarda aletin güvenli bir şekilde kullanılmasına ve kontrol edilmesine izin vermez.

## Akülü alet kullanımı ve bakımı

- **Sadece üreticinin belirttiği şarj aletleriyle şarj edin.** Bir akü grubu için uygun olan bir şarj aleti başka bir akü grubuyla kullanıldığında yangın riski doğurabilir.
- **Sadece özel geliştirilmiş akü paketlerine sahip elektrikli aletleri kullanın.** Farklı türde akü gruplarının kullanılması yangın ve yaralanma riski doğurabilir.
- **Akü grubu kullanımında değilken ataç, bozuk para, anahtar, çivi, vida veya diğer küçük metal cisimler gibi bir ucun başka bir uca bağlanmasına neden olabilecek cisimlerden uzak tutun.** Akü uçlarının kısa devre yapması vücudun yanmasına veya yangına neden olabilir.
- **Zorlayıcı koşullarda aküden elektrolit sızabilir; dokunmayın. Kazayla temas ederseniz bol suyla yıkayın. Sıvı göze temas ederse ayrıca doktora başvurun.** Aküden sızan sıvı cildin tahriş olmasına veya yanıklara neden olabilir.
- **Hasarlı veya değiştirilmiş bir akü grubu veya alet kullanmayın.** Hasarlı veya üzerinde değişiklik yapılmış aküler yangın, patlama ya da yaralanma riski ile sonuçlanabilecek beklenmedik davranışlar sergileyebilir.
- **Akü grubunu veya aleti ateşe veya aşırı sıcaklığa maruz bırakmayın.** Bunların ateşe veya 130°C/265°F üzeri sıcaklığa maruz kalması patlamaya neden olabilir.
- **Tüm şarj etme talimatlarına uyun ve akü grubunu ya da aleti talimatlarda belirtilen sıcaklık aralığı dışında şarj etmeyin.** Belirtilen sıcaklık aralığının dışında veya hatalı olarak yapılan şarj işlemleri, aküye zarar verebilir ve yangın riskini artırabilir.

## Servis

- **Elektrikli aletinizin yalnızca aynı yedek parçalar kullanılan uzman bir tamirci tarafından onarılmasını sağlayın.** Bu, elektrikli aletin güvenliğinin sağlanması için gereklidir.
- **Hasarlı akü gruplarına asla servis işlemi uygulamayın.** Akü gruplarının servis işlemleri yalnızca üretici veya yetkili servis sağlayıcıları tarafından gerçekleştirilmelidir.

## Çit düzeltici için güvenlik talimatları

- **Vücudunuzun tüm uzuvlarını bıçaktan uzak tutun. Bıçaklar hareket halindeyken kesilmiş malzemeyi çıkarmaya veya kesilecek malzemeyi tutmaya çalışmayın.** Anahtar kapatıldıktan sonra bıçaklar hareket etmeye devam eder. Çit düzelticiyi kullanırken bir anlık bir dikkatsizlik, ciddi yaralanmalara neden olabilir.
- **Çit düzelticiyi bıçak durdurulmuş halde ve herhangi bir güç anahtarını çalıştırmamaya özen göstererek tutma yerinden tutarak taşıyın.** Çit düzelticinin doğru şekilde taşınması, yanlışlıkla çalıştırma ve bıçaklardan kaynaklanan yaralanma riskini azaltır.
- **Çit düzelticiyi taşıırken ya da depolarken bıçak kapağını her zaman takın.** Çit düzelticinin doğru

kullanılması, bıçaklardan kaynaklanan yaralanma riskini azaltır.

- **Sıkışmış malzemeleri temizlerken veya üniteye bakım yaparken, tüm güç anahtarlarının kapalı olduğundan ve güç kablosunun çıkarıldığından emin olun.** Sıkışmış malzemeyi temizlerken veya bakım işlemleri yaparken çit düzelticinin beklenmedik şekilde çalışması ciddi yaralanmalara neden olabilir.
- **Bıçak gizli kablolarla ya da kendi kablosuyla temas edebileceğinden, çit düzelticiyi yalnızca yalıtımlı tutma yüzeylerinden tutun.** Bıçakların, içinden "elektrik geçen" bir elektrik kablosuna temas etmesi çit düzelticinin metal parçalarına "elektrik yüklenmesine" ve kullanıcıya elektrik çarpmasına neden olur.
- **Tüm güç kablolarını ve kabloları kesme alanından uzak tutun.** Güç kabloları veya kablolar, çitlerin veya çalılıarın arasında gezilebilir ve bıçak tarafından yanlışlıkla kesilebilir.
- **Çit düzelticiyi kötü hava koşullarında; özellikle de yıldırım düşme riski bulunan durumlarda kullanmayın.** Bu, bir yıldırım tarafından çarpilma riskini azaltır.
- **Elektrik çarpması riskini azaltmak için geniş uzanma mesafesine sahip çit düzelticiyi asla herhangi bir elektrikli güç hattının yakınında kullanmayın.** Yakındaki güç hatları ile temas veya bunların yakınında kullanım ciddi yaralanmalara veya ölüme sonuçlanacak elektrik çarpmasına neden olabilir.
- **Geniş uzanma mesafesine sahip çit düzelticiyi her zaman iki elinizle kullanın.** Kontrol kaybını önlemek için geniş uzanma mesafesine sahip çit düzelticiyi iki elinizle tutun.
- **Geniş uzanma mesafesine sahip çit düzelticiyi başınızın üstünde bir konumda kullanırken her zaman kafa koruma ekipmanı kullanın.** Düşen malzemeler ciddi kişisel yaralanmalara neden olabilir.

## Genel güvenlik talimatları



**UYARI:** Ürünü kullanmadan önce aşağıdaki uyarı talimatlarını okuyun.

- Ürününün kazara çalışmasını önlemek için aküyü çıkarın.
- Bu ürün, dikkatli olmamanız ya da ürünün doğru kullanılmaması halinde tehlikeli bir alettir. Bu ürün, operatör ya da başkaları açısından ciddi yaralanmalara veya ölüme neden olabilir.
- Orijinal özellikleri değiştirilmişse ürünü kullanmayın. Üreticinin onayı olmadan ürünün bir parçasını değiştirmeyin. Yalnızca üretici tarafından onaylanmış parçaları kullanın. Hatalı bakım çalışmaları, yaralanma veya ölüme sonuçlanabilir.
- Kullanmadan önce ürünü kontrol edin. Bkz. *Ürünün üzerindeki güvenlik aletleri sayfa: 489 ve Bakım sayfa: 494.* Arızalı ürünü kullanmayın. Bu

kılavuzda belirtilen güvenlik kontrolleri, bakım ve servis talimatlarını uygulayın.

- Çocuklar, ürünle oynamadıklarından emin olmak için gözetim altında tutulmalıdır. Çocukların veya ürünün ve/veya akünün kullanımı konusunda eğitilmemiş diğer kişilerin ürünü kullanmasına veya üründe servis işlemleri yapmasına kesinlikle izin vermeyin. Ulusal yasalarda kullanıcı yaşı konusunda bir düzenleme olabilir.
- Çocukların veya yetkili olmayan kişilerin erişmesini önlemek için ürünü kilitleti bir alanda tutun.
- Ürünü çocukların erişemeyeceği yerlerde saklayın.
- Üreticinin izni alınmadan ürün tasarımında hiçbir şekilde değişiklik yapılamaz. Her zaman orijinal aksesuarlar kullanın. Onaylanmayan değişiklikler ve/veya aksesuarlar, operatörler ve başka kişilerin ciddi şekilde yaralanmasına veya ölümüne yol açabilir.

**Not:** Kullanım, Ulusal veya Yerel yönetmelikler tarafından düzenlenebilir. Belirlenmiş yönetmeliklere uyun.

## Kullanım için güvenlik talimatları



**UYARI:** Ürünü kullanmadan önce aşağıdaki uyarı talimatlarını okuyun.

- Nasıl devam etmeniz gerektiği konusunda emin olmadığınız bir durumda danışmalısınız. Bayiniz veya servis atölyenizle iletişime geçin. Yapabileceğinizin ötesinde olduğunu düşündüğünüz hiçbir çalışmayı yapmayın.
- Ürünü hiçbir zaman yorgunken; alkol, uyuşturucu veya ilaç gibi görüşünüzü, dikkatinizi ya da doğru düşüncenizi etkileyebilecek bir maddenin etkisi altındayken kullanmayın.
- Kötü hava şartlarında çalışmak yorucu olabilir ve genellikle beraberinde tehlikeler getirir. Beraberinde getirebileceği riskler nedeniyle makinenin yoğun sis, sağanak yağmur, şiddetli rüzgar, aşırı soğuk veya yıldırım düşme riskinin olduğu durumlar gibi çok kötü hava koşullarında kullanılması tavsiye edilmez.
- Hatalı bir kesme donanımı kaza riskini artırabilir.
- Çocukların ürünü kullanmasına veya yakınında bulunmasına izin vermeyin. Ürünün çalıştırılması kolay olduğu için çocuklar, tam gözetim altında tutulmadıklarında makineyi çalıştırabilirler. Bu da ciddi yaralanma riski doğurur. Ürün, yakın gözetim altında olmadığında akü ile bağlantısı kesilmelidir.
- Çalışırken hiçbir insan veya hayvanın 15 metreden fazla yaklaşmadığından emin olun. Aynı çalışma alanında birkaç operatör çalıştığında güvenli mesafe en az 15 metre olmalıdır. Aksi takdirde ciddi yaralanma riski vardır. Herhangi biri yaklaşırsa ürünü derhal durdurun. Güvenlik bölgesi içinde kimsenin bulunmadığından emin olmak için arkanızı kontrol etmeden ürünü asla sallamayın.

- İnsanların, hayvanların veya diğer nesnelere ürün kontrolünüzü etkilemeyeceğinden veya bunların kesme donanımıyla ya da kesme donanımının fırlattığı sabit olmayan nesnelere temas etmeyeceğinden emin olun. Buna rağmen bir kaza durumunda yardım isteyemeyeceksiniz ürünü kullanmayın.
- Çalışma alanını daima inceleyin. Taş, kırık cam, çivi, çelik tel, ip vb. fırlatabilecek veya kesme donanımına dolaşabilecek tüm sabit olmayan nesnelere kaldırın.
- Güvenli bir şekilde hareket edebildiğinizden ve ayakta durabildiğinizden emin olun. Ani hareket etmenizi gerekebileceğini göz önünde bulundurarak çevrenizdeki olası engelleri (kökler, taşlar, dallar, hendekler vs.) kontrol edin. Eğimli yüzeyde çalışırken çok dikkatli olun.
- Her zaman dengeyi koruyun ve yere sağlam basın. Makineyi kullanırken erişim alanınızın dışındaki yerlere uzanmaya çalışmayın.
- Ürünü başka bir alana taşımadan önce devre dışı bırakın. Ürün kullanımda değilken nakliye koruyucusunu takın.
- Ürünü devre dışı bırakmadıysanız ürünü asla yere koymayın. Ürünü açıkken gözetimsiz bırakmayın.
- Ürünü başka bir kişiye vermeden önce aküyü çıkarın.
- Ürün çalıştırıldığında kıyafetlerin veya vücudunuzun kesme donanımıyla temas etmemesine dikkat edin.
- Ürünü kullanırken kesme donanımına herhangi bir şey takılırsa ürünü durdurun ve devre dışı bırakın. Kesme donanımının tamamen durduğundan emin olun. Ürünü ve/veya kesme donanımını temizlemeden, incelemeyen veya onarmadan önce aküyü çıkarın.
- Ürün devre dışı bırakıldığında tamamen durana kadar ellerinizi ve ayaklarınızı kesme donanımından uzak tutun.
- Keserken fırlatabilecek dal parçalarına dikkat edin. Kesme işlemini yere yakın yapmayın. Taşlar ve diğer nesnelere fırlatabilir.
- Savrulan nesnelere dikkat edin. Daima onaylanmış bir koruyucu gözlük takın. Asla kesme donanımı siperliği üzerine eğilmeyin. Taşlar, çöpler vb. maddeler gözlere fırlatabilir ve körlüğe veya ciddi yaralanmalara neden olabilir.
- Kulak koruma ekipmanı taktığınızda uyarı sinyallerine veya bağırma seslerine karşı dikkatli olun. Ürün durur durmaz kulak koruma ekipmanınızı mutlaka çıkarın.
- Asla tam olarak güvenli olmayan merdiven, tabure veya diğer yüksek pozisyonlar üzerinde çalışmayın.
- Bu makine, çalışması sırasında bir elektromanyetik alan oluşturur. Bu alan, bazı koşullarda aktif veya pasif tıbbi implantlarda girişime neden olabilir. Ciddi veya ölümcül yaralanma riskini azaltmak için tıbbi implantlar takılı kişilerin, bu makineyi çalıştırmadan önce doktorlarına ve tıbbi implant üreticisine danışmanlarını öneririz.

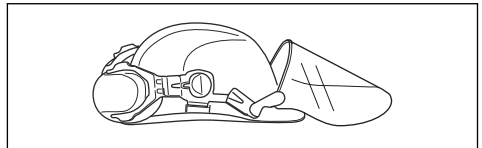
- Ürünü daima iki elinizle tutun. Ürünü vücudunuzun sağ tarafında tutun.
- Bıçak miline dolanmış veya siperlikle kesme donanımı arasında sıkışmış veya yeşillik çıkarmadan önce daima ürünü durdurun, aküyü çıkarın ve kesme donanımının dönmediğinden emin olun.
- Ürün çalıştırılırken oluşan elektromanyetik alan, aktif veya pasif tıbbi implantlarda girişime neden olabilir. Tıbbi implantı olan kişiler bu ürünü çalıştırmadan önce doktorlarına ve tıbbi implant üreticilerine danışmalıdır.
- Ürünün ağırlığını kuşam askılıkla taşıyarak kullanımını kolay hale getirin.
- Uzun süre gürültüye maruz kalınması sürekli işitme bozukluğuna yol açabilir. Husşvarna, operatörlerin onaylı kulak koruma ekipmanı kullanmasını önerir.
- Orijinal özellikleri değiştirilecek şekilde modifiye edilmiş bir ürünü asla kullanmayın.
- Anzalı bir ürünü kesinlikle kullanmayın. Bu kılavuzda belirtilen güvenlik kontrolleri ile bakım ve servis talimatlarına uyun. Bazı bakım ve servis işlemlerinin sadece yetkili ve kalifiye teknisyenler tarafından yapılması gerekir. Bakım başlığı altındaki talimatlara bakın.
- Kullanmadan önce ürünü genel olarak kontrol edin. Bakım takvimini inceleyin.
- Kullanım kılavuzunun içindeki bilgileri tam olarak okuyup anladığınızdan emin olmadığınız kişilerin makineyi kullanmasına kesinlikle izin vermeyin.
- Çalışma alanında elektrik kabloları ve hayvanlar gibi yabancı nesnelere veya kesme ataşmanına hasar verebilecek metal eşyalar gibi başka nesnelere bulunup bulunmadığını kontrol edin.
- Hatalı bıçaklar kaza riskini artırabilir.

## Kişisel koruyucu ekipman



**UYARI:** Ürünü kullanmadan önce aşağıdaki uyarı talimatlarını okuyun.

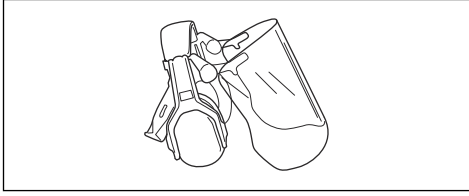
- Ürünü kullanırken daima onaylı kişisel koruyucu ekipmanları kullanın. Kişisel koruyucu ekipmanlar yaralanma riskini tamamen engelleyemez ancak bir kaza durumunda yaralanmanın derecesini azaltır. Bayinizin doğru ekipmanı seçmenize yardımcı olmasını sağlayın.
- Nesnelere düşme riski bulunan yerlerde koruyucu kask kullanın.



- Uzun süre gürültüye maruz kalmak işitme bozukluğuna yol açabilir. Genel olarak, aküyle çalışan ürünler diğerlerine göre daha sessizdir fakat gürültü düzeyi ve uzun kullanımın birleşmesiyle

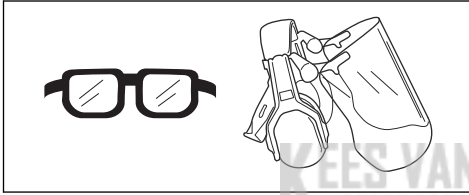


hasar meydana gelebilir. Husqvarna, operatörlerin ürünleri gün içinde uzun süre kullanacakları zaman kulak koruma ekipmanları kullanmalarını önerir. Sürekli ve düzenli kullanıcıların işitme yetileri düzenli olarak kontrol edilmelidir.

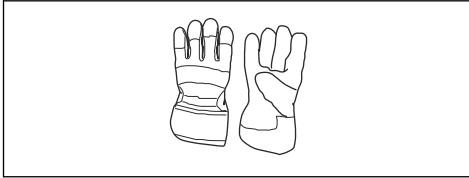


**UYARI:** Kulak koruma ekipmanları, ses ve uyarı sinyallerini duymayı sınırlar.

- Onaylı koruyucu gözlük kullanın. Vizör kullanıyorsanız onaylı koruma gözlüğü de kullanmanız gerekir. Onaylı koruma gözlükleri ABD'de ANSI Z87.1, AB ülkelerinde EN 166 standardıyla uyumlu olmalıdır.



- Kesme donanımını takma, kontrol etme veya temizleme gibi eldiven gerektiren durumlarda eldiven kullanın.



- Sağlam kumaştan yapılmış kıyafetler kullanın. Daima kalın ve uzun pantolonlarla uzun kollu kıyafetler kullanın. Çalılara ve dallara takılabilecek bol kıyafetler kullanmayın. Takı takmayın; şort, sandalet giymeyin veya çıplak ayakla dolaşmayın. Saçınızı güvenli bir şekilde omuz hizasının üzerinde toplayın.
- İlk yardım ekipmanını yakında bulundurun.



## Ürünün üzerindeki güvenlik aletleri



**UYARI:** Ürünü kullanmadan önce aşağıdaki uyarı talimatlarını okuyun.

Bu bölümde ürünün güvenlik özellikleri, amacı ve ürünün düzgün çalışması için bakım ve kontrollerin nasıl yürütülmesi gerektiği açıklanmaktadır. Bu parçaların ürününüzün neresinde bulunduğunu görmek için *Ürüne genel bakış sayfa*: 483 başlığı altındaki talimatları okuyun.

Bakım doğru olarak yapılmazsa ve servis ve/veya onarım işlemleri profesyonel olarak uygulanmazsa ürünün kullanım ömrü azalabilir ve kaza riski artabilir. Daha fazla bilgiye ihtiyacınız olursa lütfen en yakın servis bayisiyle iletişime geçin.



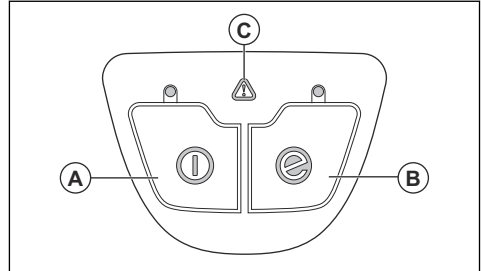
**UYARI:** Güvenlik bileşenleri kusurlu olan bir ürünü asla kullanmayın. Ürünün güvenlik donanımı bu bölümde açıklandığı gibi kontrol edilmeli ve bakıma alınmalıdır. Ürününüz bu kontrollerden herhangi birini geçemezse onarım için servis nokتانızla iletişime geçin.



**DİKKAT:** Makinenin servis ve tamir işlemlerinin tümü özel eğitim gerektirir. Bu durum özellikle makinenin güvenlik donanımı için geçerlidir. Eğer makineniz aşağıda açıklanan kontrollerden herhangi birinde arıza verirse servis nokتانıyla iletişime geçin. Herhangi bir ürünümüzü satın aldığınızda profesyonel tamir ve servis hizmetlerinin mevcut bulunduğunu garanti etmekteyiz. Makinenizi satan bayii yetkili satıcı değilse size en yakın servis nokتانının adresini sorun.

## Tuş takımını kontrol etme

1. Çalıştırma/durdurma düğmesini (A) basılı tutun.

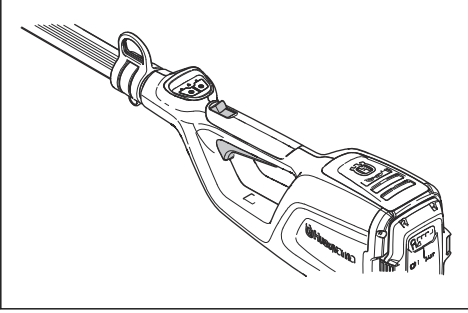


- a) LED yandığında ürün açılır.
  - b) LED söndüğünde ürün kapanır.
2. SavE düğmesinin (B) işlevi için bkz. *SavE işlevinin başlatılması sayfa*: 494.

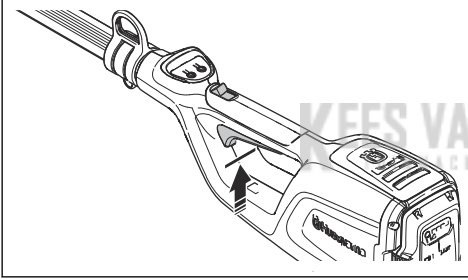
3. Uyarı göstergesi (C) yanıyor veya yanıp sönüyorsa *Sorun giderme sayfada: 495* bölümüne başvurun.

### Güç tetiği kilidini kontrol etme

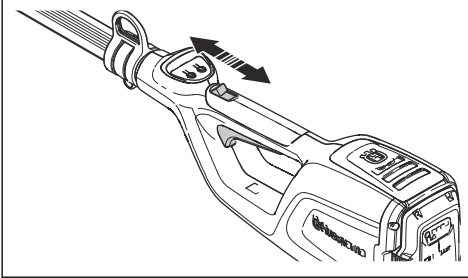
Güç tetiği kilidi, kazara çalıştırılmayı önler. Tutma yerini bıraktığınızda güç tetiği ve güç tetiği kilidi geri hareket ederek ilk konumlarına geri döner.



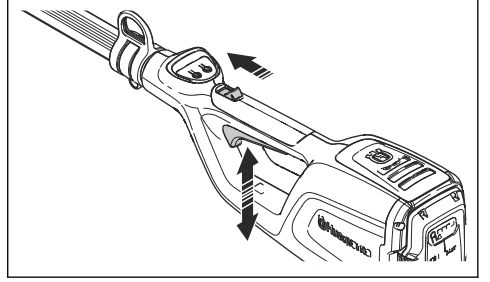
1. Kilit ilk konumundayken güç tetiğinin kilitleti olduğundan emin olun.



2. Kilidi çekip bırakın ve kilidin ilk konumuna geri döndüğünden emin olun.



3. Güç tetiğinin ve kilidin serbestçe hareket ettiğinden ve geri dönüş yayının düzgün çalıştığından emin olun.



4. Ürünü çalıştırın; bkz. *Ürünü çalıştırma sayfada: 493*.  
5. Tam hız uygulayın.  
6. Güç tetiğini serbest bırakın ve kesme donanımının tamamen durduğundan emin olun.

### Akü güvenliği



**UYARI:** Ürünü kullanmadan önce aşağıdaki uyarı talimatlarını okuyun.

- BLi10 akü kullanmanız önerilir. Bkz. *Teknik veriler sayfada: 497*. Akü, yazılım şifresine sahiptir.
- İlgili BLi10 ürünleri için güç kaynağı olarak yalnızca şarj edilebilir Husqvarna aküsünü kullanın. Yaralanmayı önlemek için aküyü başka cihazların güç kaynağı olarak kullanmayın.
- Elektrik çarpması riski. Akü terminallerini anahtarlara, madeni paralara, vidalara veya diğer metallere bağlamayın. Bu, aküde kısa devreye neden olabilir.
- Şarj edilebilir olmayan akü kullanmayın.
- Akünün hava deliklerine herhangi bir nesne koymayın.
- Aküyü doğrudan güneş ışığından, ısı kaynaklarından veya açık alevden uzak tutun. Akü yanıklara ve/veya kimyasal yanıklara neden olabilir.
- Aküyü yağmurdan ve ıslak koşullardan uzak tutun.
- Aküyü mikrodalgalardan ve yüksek basınçtan uzak tutun.
- Aküyü parçalarına ayırmaya veya kırmaya çalışmayın.
- Aküde sızıntı varsa sıvının vücudunuza veya gözlerinize temas etmesine izin vermeyin. Sıvıya dokunduysanız etkilenen bölgeyi bol su ve sabunla yıkayın, tıbbi yardım alın. Sıvı gözünüze kaçarsa ovmayın ancak gözlerinizi suyla en az 15 dakika yıkayın ve tıbbi yardım alın.
- Aküyü -10°C (14°F) ile 40°C (114°F) arasındaki sıcaklıklarda kullanın.
- Aküyü veya akü şarj cihazını suyla temizlemeyin. Bkz. *Ürünü, aküyü ve akü şarj cihazını temizleme sayfada: 495*.

- Hatalı veya hasarlı aküleri kullanmayın.
- Aküleri çivi, vida veya mücevherat gibi metal nesnelere uzak bir yerde saklayın.
- Aküyü çocuklardan uzakta tutun.

## Akü şarj cihazı güvenliği



**UYARI:** Ürünü kullanmadan önce aşağıdaki uyarı talimatlarını okuyun.

- Güvenlik talimatlarına uyulmaması durumunda elektrik çarpması veya kısa devre riski vardır.
- Ürününüz için verileden başka akü şarj cihazı kullanmayın. BLi10 aküyü şarj ederken QC80 şarj cihazını kullanmanız önerilir.
- Akü şarj cihazını parçalarına ayırmaya çalışmayın.
- Hatalı veya hasarlı akü şarj cihazlarını kullanmayın.
- Akü şarj cihazını güç kablosundan tutup kaldırmayın. Akü şarj cihazını elektrik prizinden çıkarmak için fişi çekin. Güç kablosunu çekmeyin.
- Tüm kabloları ve uzatma kablolarını sudan, yağdan ve keskin köşelerden uzakta tutun. Kablonun kapı, çit veya benzeri gibi yerlere takılmadığından emin olun.
- Akü şarj cihazını, yanıcı malzemelerin veya korozyona neden olabilecek malzemelerin yakınında kullanmayın. Akü şarj cihazının üstünün kapalı olmadığından emin olun. Duman veya ateş çıkması durumunda akü şarj cihazının fişini çekip çıkarın.
- Aküyü yalnızca kapalı alanda, iyi hava akışı olan ve güneş ışığından uzak bir yerde şarj edin. Aküyü dış mekanda şarj etmeyin. Aküyü ıslak koşullarda şarj etmeyin.
- Akü şarj cihazını yalnızca 5°C (41°F) ile 40°C (104°F) arasındaki sıcaklıklarda kullanın. Şarj cihazını iyi hava akışı olan kuru ve tozsuz bir ortamda kullanın.

- Akü şarj cihazının soğutma deliklerine herhangi bir nesne koymayın.
- Akü şarj cihazında kısa devre oluşabileceği için şarj cihazının terminallerini metal nesnelere bağlamayın.
- Hasarlı olmayan onaylı elektrik prizlerini kullanın. Akü şarj cihazı kablosunun hasarlı olmadığından emin olun. Uzatma kabloları kullanılıyorsa uzatma kablolarının hasarlı olmadığından emin olun.

## Bakım için güvenlik talimatları



**UYARI:** Ürün üzerinde bakım yapmadan önce aşağıdaki uyarı talimatlarını okuyun.

- Bakım ve diğer kontrolleri gerçekleştirmeden veya ürünü monte etmeden önce aküyü çıkarın.
- Operatör, yalnızca kullanım kılavuzunda gösterilen bakım ve servis işlemlerini uygulamalıdır. Daha geniş çaplı bakım ve servis için servis bayinize iletişime geçin.
- Aküyü veya akü şarj cihazını suyla temizlemeyin. Güçlü deterjanlar plastiğe zarar verebilir.
- Bakım yapmamanız ürünün kullanım ömrünü azaltır ve kaza riskini artırır.
- Ürünün güvenlik araçları başta olmak üzere tüm servis ve onarım işlemleri için özel eğitim gerekir. Bakım yaptıktan sonra bu kullanım kılavuzundaki tüm kontroller onaylanmazsa servis bayinize iletişime geçin. Ürününüz için profesyonel onarım ve servis hizmetinin mevcut olduğunu garanti ederiz.
- Bıçağın dişlerini doğru şekilde bileyenmiş biçimde tutun. Önerilerimize uyun. Ayrıca bıçak ambalajının üzerindeki talimatlara da bakın.
- Sadece orijinal yedek parça kullanın.
- Kesme donanımını onarıırken her zaman ağır hizmet tipi eldiven giyin. Bıçaklar çok keskindir ve kolaylıkla yaralanmalara neden olabilir.

## Montaj

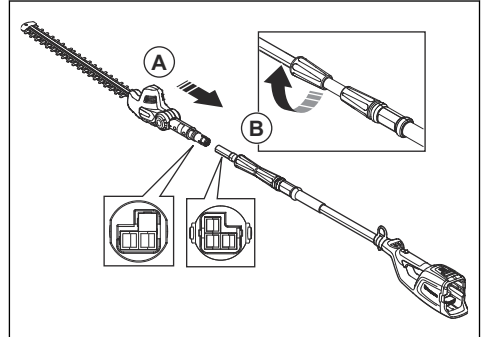
### Giriş



**UYARI:** Ürünü monte etmeden önce güvenlik bölümünü okuyup anlayın.

### Mili monte etme

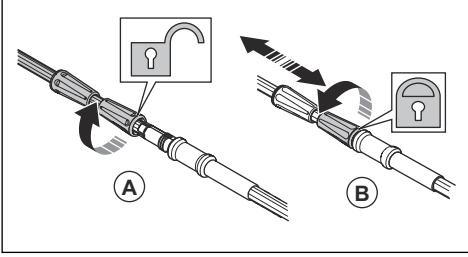
1. Elektrik fişlerinin aynı hizada olduğundan emin olun.



2. Milin (A) uçlarını tam olarak bağlayın.
3. Milin çit düzeltici başlığı (B) tarafındaki vida kolunu sıkın.

## Mil boyunun ayarlanması

1. Milin akü yuvası (A) tarafındaki vida kolunu gevşetin.



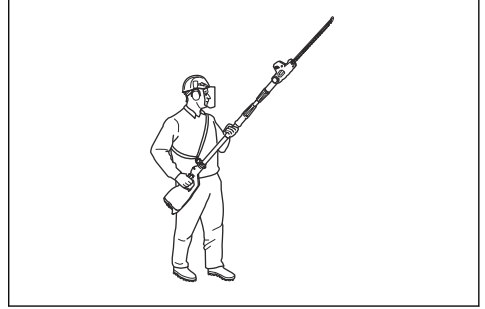
2. Mili uygun bir uzunlukta olacak şekilde ayarlayın.
3. Vida kolunu (B) sıkın.

## Kuşam askılığın ayarlanması

Ürünü çalıştırırken daima kuşam askılığı kullanın.  
Kuşam askılık, ürün çalıştırılırken maksimum kontrol

sağlar. Kuşam askılık, kollarınız ve sırtınızdaki yorgunluk riskini azaltır.

1. Taşıma askısını takınız.
2. Ürünü kuşam askılık destek kancasına takın.
3. Destek kancası yaklaşık olarak sağ kalçanızla hizalanana kadar kuşam askılığın boyunu ayarlayın.



## Çalışma

### Giriş



**UYARI:** Ürünü kullanmadan önce güvenlik bölümünü okuyup anlayın.

### Ürünü çalıştırmadan önce yapılması gerekenler

1. Çalışma alanını inceleyin. Fırlayabilecek nesnelere uzaklaşın.
2. Kesme donanımını kontrol edin. Bıçakların keskin olduğundan ve bıçaklarda çatlak veya hasar olmadığından emin olun.
3. Ürünün doğru şekilde çalıştığından emin olun. Tüm somunların ve vidaların sıkı olup olmadığını kontrol edin.
4. Tutma yerinin ve güvenlik araçlarının hasarlı olmadığından ve düzgün takıldığından emin olun. Parçalarının eksik veya orijinal özelliklerinin değiştirilmiş olması durumunda ürünleri çalıştırmayın. Gerekliğinde koruyucu eldiven giyin.
5. Ürünü çalıştırmadan önce kapakların hasarlı olmadığından ve düzgün takıldığından emin olun.

### Akü şarj cihazını bağlama

1. Akü şarj cihazını nominal değerler plakasında belirtilen voltaj ve frekansa uygun olarak bağlayın.

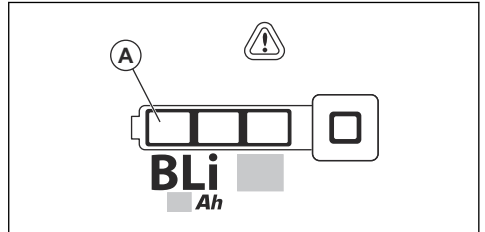
2. Fişi, topraklanmış bir elektrik prizine takın. Akü şarj cihazındaki LED bir kez yeşil renkte yanıp söner.

**Not:** Akü sıcaklığı 50°C'den (122°F) fazlaysa akü şarj olmaz. Sıcaklık 50°C'den (122°F) fazlaysa akü şarj cihazı, akü şarj olmadan önce aküyü soğutur.

### Akü akü şarj cihazına takma

**Not:** Aküyü ilk defa kullanacaksanız şarj edin. Yeni bir akünün şarjı %30 seviyesindedir.

1. Akünün kuru olduğundan emin olun.
2. Aküyü akü şarj cihazına bağlayın.
3. Akü şarj cihazının üzerindeki yeşil şarj ışığının yandığından emin olun. Bu, akünün akü şarj cihazına düzgün bir şekilde bağlandığını gösterir.
4. Akü üzerindeki tüm LED'ler (A) yandığında akü tam olarak şarj olmuştur.



5. Akü şarj cihazının elektrik prizine bağlantısını kesmek için fişi çekin. Kabloyu çekmeyin.
6. Aküyü şarj cihazından çıkarın.

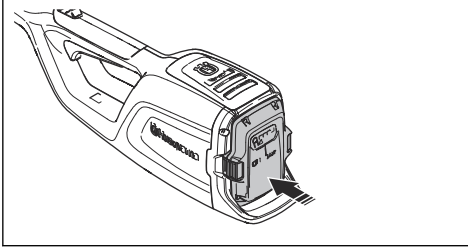
**Not:** Daha fazla bilgi için akü ve akü şarj cihazı kılavuzlarına başvurun.

## Aküyü ürüne bağlama



**UYARI:** Üründe yalnızca Husqvarna orijinal akülerini kullanın.

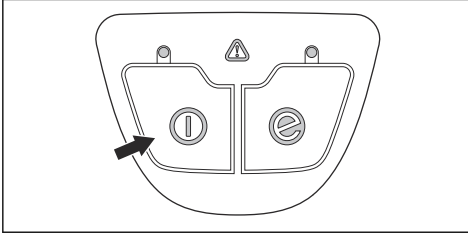
1. Akünün tamamen şarj olduğundan emin olun.
2. Aküyü, ürünün akü tutucusuna yerleştirin. Akü, tutucuya kolay bir şekilde oturmalıdır, oturmuyorsa düzgün takılmamış demektir.



3. Aküyü alt kısmından bastırarak akü tutucusunun içine tamamen itirin. Akü yerine kilitlendiğinde bir tıklama duyarsınız.
4. Mandalların düzgün bir şekilde yerine sabitlendiğinden emin olun.

## Ürünü çalıştırma

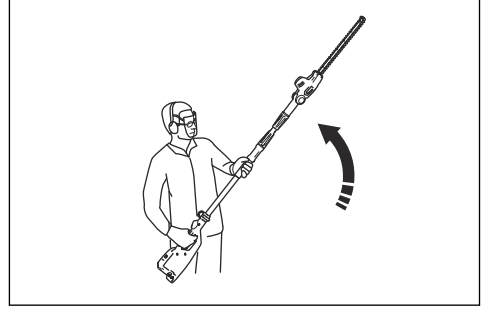
1. Yeşil LED yanana kadar çalıştırma/durdurma düğmesini basılı tutun.



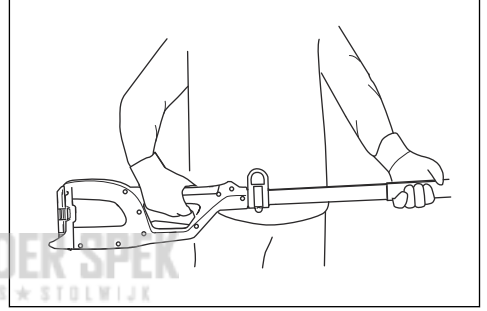
2. Güç tetiği kilidini arkaya doğru çekin ve güç tetiğini basılı tutun.

## Ürünü çalıştırma

- Kenarları keserken zemine yakın yerden başlayın ve ürünü çit boyunca yukarı doğru hareket ettirin.



- Dengeli bir çalışma konumu sağlamak için ürünü vücudunuza yakın tutun.

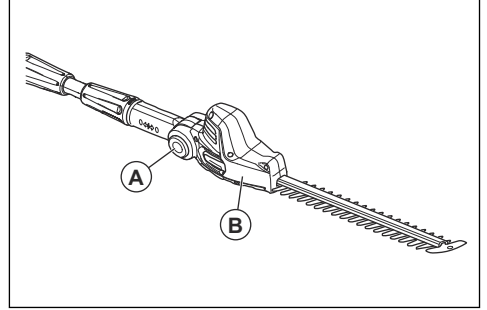


- Kesme donanımının ucunun yere değmediğinden emin olun.
- Tüm dallar doğru şekilde kesilene kadar dikkatli olun ve yavaşça çalışın.

## Kesme ataşmanının açısını ayarlama

Kesme donanımı 7 farklı konumda ayarlanabilir.

1. Ürünü durdurun ve aküyü çıkarın.



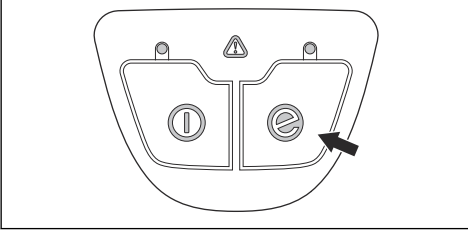
2. Muhafazayı (B) sıkı tutun.
3. Muhafazanın (B) 2 tarafındaki kilit düğmelerini (A) basılı tutun.
4. Kesme ataşmanını doğru açığa getirin.

- 2 taraftaki kilit düğmelerini (A) serbest bırakın.
- Kesme ataşmanı yerine kilitlene kadar muhafazayı (B) yukarı ve aşağı hareket ettirin.

### SavE işlevinin başlatılması

Üründe SavE işlevi bulunur. SavE işlevi, aküden en uzun çalışma süresini verir.

- SavE düğmesine basın. İşlevin etkin olduğunu göstermek için LED yanar.



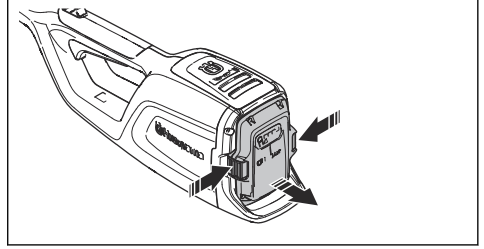
- SavE işlevini durdurmak için SavE düğmesine tekrar basın.

### Otomatik kapatma işlevi

Üründe, kullanılmadığında ürünü durduran bir otomatik kapatma işlevi vardır. Başlatma/durdurma gösterimi için yeşil LED söner ve ürün 60 saniye sonra durur.

### Ürünü durdurma

- Güç tetiğini serbest bırakın.
- Yeşil LED sönene kadar çalıştırma/durdurma düğmesini basılı tutun.
- Aküyü üründen çıkarın. 2 serbest bırakma düğmesine basın ve aküyü çekip çıkarın.



## Bakım

### Giriş



**UYARI:** Ürün üzerinde bakım yapmadan önce güvenlik bölümünü okuyup anlayın.



**UYARI:** Ürün üzerinde bakım yapmadan önce aküyü çıkarın.

### Bakım takvimi

Ürün üzerinde yapmanız gereken bakım adımları aşağıda listelenmiştir.

Bakım	Kullanmadan önce	Haftalık olarak	Aylık olarak
Ürünün dış kısımlarını temizleyin.	X		
Çalıştırma ve durdurma anahtarının düzgün çalıştığından ve hasarlı olmadığından emin olun.	X		
Güç tetiğinin ve güç tetiği kilidinin güvenlik açısından doğru çalıştığından emin olun.	X		
Tüm kontrollerin çalıştığından ve zarar görmediğinden emin olun.	X		
Kesici bıçakta ve kesici siperliğinde çatlak veya hasar olmadığından emin olun. Çatlak varsa ya da darbeye maruz kalmışsa kesici bıçağı veya kesici siperliğini değiştirin.	X		
Bükülmüşse veya hasarlıysa kesici bıçağı değiştirin.	X		

Bakım	Kullanmadan önce	Haftalık olarak	Aylık olarak
Vida ve somunların sıkı olduğundan emin olun.	X		
Akünün zarar görmemiş olduğundan emin olun.	X		
Akünün şarj edilmiş olduğundan emin olun.	X		
Akü şarj cihazının zarar görmediğinden emin olun.	X		
Kesici bıçakları tutan vidaların doğru şekilde sıkıldığından emin olun.		X	
Akü ile ürün arasındaki bağlantıları kontrol edin. Akü ile akü şarj cihazı arasındaki bağlantıyı kontrol edin.			X

## Aküyü ve akü şarj cihazını kontrol etme

1. Aküyü çatlak gibi hasarlara karşı kontrol edin.
2. Akü şarj cihazını çatlak gibi hasarlara karşı kontrol edin.
3. Akü şarj cihazının bağlantı kablosunun hasarlı olmadığını ve üzerinde çatlaklar bulunmadığını kontrol edin.

## Ürünü, aküyü ve akü şarj cihazını temizleme

1. Kullandıktan sonra ürünü kuru bir bezle temizleyin.
2. Aküyü ve akü şarj cihazını kuru bir bezle temizleyin. Pil kılavuz raylarını temiz tutun.
3. Aküyü, akü şarj cihazına veya ürüne yerleştirmeden önce akü ve akü şarj cihazının terminallerinin temiz olduğundan emin olun.

## Kesici bıçağı kontrol etme

1. Ürünü kullanmadan önce ve kullandıktan sonra korozyon önleyici temizleme maddesi kullanarak kesici bıçaklardaki istenmeyen maddeleri temizleyin.
2. Kesici bıçağın kenarlarında hasar veya deformasyon olup olmadığını kontrol edin.
3. Kesici bıçak üzerindeki çapakları bir eğeyle giderin.

4. Kesici bıçakların serbestçe hareket edebildiğinden emin olun.

## Bıçakları temizleme ve yağlama

1. Ürünü kullanmadan önce ve kullandıktan sonra bıçaklardaki istenmeyen maddeleri temizleyin.
2. Uzun süreli depolama öncesinde bıçakları yağlayın.

**Not:** Önerilen temizleme maddesi ve yağlar hakkında daha fazla bilgi için servis bayinizle görüşün.

## Dişliyi yağlama

Dişlinin yetkili bir servis bayisi tarafından sökülmesi halinde dişli kovanına gres uygulayın.

- Husqvarna özel gresini kullanın. Önerilen gres hakkında daha fazla bilgi için servis bayinizle görüşün.
- Yalnızca az miktarda özel yüksek kaliteli gres kullanın.



**DİKKAT:** Dişli kovanını tamamen doldurmayın.

## Sorun giderme

### Tuş takımı

LED ekran	Olası arızalar	Olası çözümler
Hata LED'i yanıp sönüyor.	Aşırı yük	Kesme donanımı serbestçe hareket edemiyor. Kesme donanımını serbest bırakın.
Ürün çalışmıyor.	Akü konektörlerinde kir var.	Basınçlı hava veya yumuşak bir fırça ile akü konektörlerini temizleyin.
Hata LED'i kırmızı ışıkla yanar.	Üründe servis işlemi gerçekleştirilmesi gerekir	Servis bayinize danışın.

## Akü

LED ekran	Olası arızalar	Olası işlem
Yeşil LED yanıp sönüyor.	Düşük akü voltajı.	Aküyü şarj edin.
Hata LED'i yanıp sönüyor.	Sıcaklık değişimi.	Aküyü -10°C (14°F) ile 40°C (104°F) arasındaki sıcaklıklarda kullanın.
	Voltaj çok yüksek.	Şebeke voltajının, ürünün nominal değerler plakasında belirtilen voltajla uyumlu olduğundan emin olun. Aküyü şarj cihazından çıkarın.
Hata LED'i yanıyor.	Hücre farkı çok fazladır (1 V).	Servis bayinize danışın.

## Akü şarj cihazı

Sorun	Olası arızalar	Olası çözüm
Kırmızı hata LED'i yanıp söner.	Sıcaklık değişimi.	Akü şarj cihazını 5°C (41°F) ile 40°C (104°F) arasındaki sıcaklıklarda kullanın.
Kırmızı hata LED'i yanar.	Çok fazla hücre farkı (1 V).	Servis bayinize danışın.

KEES VAN DER SPEK  
TUNING & SERVICE

## Taşıma, depolama ve atma

### Taşıma ve saklama

- Ürün ile birlikte verilen Lityum iyon aküler, Tehlikeli Maddeler Yönetmeliklerinin gereksinimlerini karşılamaktadır.
- Üçüncü taraflar ve aracı nakliye şirketleri de dahil olmak üzere, ticari amaçlı taşıma işlemlerinde ambalaj ve etiketler üzerindeki özel gereksinimlere uyun.
- Ürünü göndermeden önce tehlikeli maddeler konusunda özel eğitim almış bir kişiyle görüşün. Yürürlükteki tüm ulusal yönetmeliklere uyun.
- Aküyü bir ambalaja yerleştireceğiniz zaman açık kontakları bantlayın. Aküyü ambalaj içine hareket etmesini engelleyecek şekilde yerleştirin.
- Saklama veya taşıma için aküyü çıkarın.
- Aküyü ve akü şarj cihazını nem ve don olmayan kuru bir yerde saklayın.
- Aküyü statik elektriğin oluşabileceği yerlerde saklamayın. Aküyü metal bir kutuda tutmayın.
- Aküyü, sıcaklığı 5°C/41°F ile 25°C/77°F arasında olan ve doğrudan güneş ışığı almayan bir yerde tutun.

- Akü şarj cihazını, sıcaklığı 5°C/41°F ile 45°C/113°F arasında olan ve doğrudan güneş ışığı almayan bir yerde tutun.
- Akü şarj cihazını yalnızca ortam sıcaklığı 5°C/41°F ile 40°C/104°F arasındayken kullanın.
- Uzun süreli depolamadan önce aküyü %30-%50 arasındaki bir seviyeye kadar şarj edin.
- Akü şarj cihazını, kapalı ve kuru bir alanda saklayın.
- Depolama sırasında aküyü akü şarj cihazından uzakta tutun. Çocukların ve diğer izinsiz kişilerin ekipmana dokunmasına izin vermeyin. Ekipmanı kilitleyebileceğiniz bir yerde tutun.
- Uzun süreli depolamadan önce ürünü temizleyin ve ürüne eksiksiz bir bakım yaptırın.
- Taşıma ve depolama sırasında ürünü hasar görmesini engellemek için taşıma koruyucusunu kullanın.
- Taşıma sırasında ürünü güvenli bir şekilde sabitleyin.

### Akü, akü şarj cihazı ve ürünü atma

Ürün veya ürün ambalajı üzerinde bulunan semboller, bu ürünün evsel atık olmadığını belirtir. Ürünü, elektrikli ve elektronik ekipmanlar için bir geri dönüşüm



istasyonunda geri dönüştürün. Bu, çevrenin ve insanların zarar görmemesine yardımcı olur.

Ürününüzü geri dönüştürme hakkında daha fazla bilgi için yerel yetkililer, evsel atık hizmeti veya bayiniz ile görüşün.

## Teknik veriler

### Teknik veriler

	120iTK4-H
<b>Motor</b>	
Motor tipi	PMDC 36 V
<b>Ağırlık</b>	
Aküsüz ağırlık, kg	4,6
Akülü ağırlık (varsayılan akü BLi10), kg	5,3
<b>Gürültü yayma<sup>82</sup></b>	
Ses gücü düzeyi, ölçülmüş dB(A)	91,32
Garanti edilen ses gücü düzeyi, L <sub>WA</sub> dB(A)	94
<b>Ses seviyeleri<sup>83</sup></b>	
EN 62841-1 ve EN 62841-4-2'ye göre ölçülen, operatörün kulağında oluşan ses basınç düzeyi, dB(A)	81,3
<b>Titreşim seviyeleri<sup>84</sup></b>	
Titreşim seviyeleri (a <sub>h</sub> ), ön/arka tutma yerlerinde, m/sn <sup>2</sup> . Bkz. EN 62841-1 ve EN 62841-4-2.	1,223/0,816
<b>Kesme donanımı</b>	
Tip	Çift taraflı
Bıçak uzunluğu, mm	500
SavE modu etkinken bıçak hızı (kesim/dk)	2250
SavE modu etkin değilken bıçak hızı (kesim/dk)	2800

<sup>82</sup> 2000/14/AT sayılı AT direktifi uyarınca ses gücü (L<sub>WA</sub>) olarak çevrede ölçülen gürültü yayma seviyesi. Garanti edilen ve ölçülen ses gücü arasındaki fark, garantili ses gücünün 2000/14/AT Sayılı Direktif doğrultusunda ölçüm sonucundaki dağılımı ve aynı modelin farklı ürünleri arasındaki değişimleri de içerir.

<sup>83</sup> Eşdeğer ses basıncı seviyesi için tipik istatistik dağılım, 3 dB (A) değerinde bir standart sapmadır.

<sup>84</sup> Titreşim seviyesi için bildirilen verilerin tipik istatistik dağılımı (standart sapması) 1,5 m/sn<sup>2</sup> şeklindedir.

Beyan edilen toplam titreşim değeri standart test yöntemine göre hesaplanmıştır ve bir aleti başka bir aletle karşılaştırmak için kullanılabilir.

Beyan edilen toplam titreşim değeri, ön maruz kalma değerlemelerinde de kullanılabilir.

## Onaylı akü şarj cihazları

Akü Şarj Cihazı	QC80
Giriş voltajı, V	100-240
Frekans, Hz	50-60
Güç, W	100
Çıkış voltajı, V DC/A	36/2

## Ürün için onaylı aküler

Akü	BLi10
Tip	Lityum iyon
Akü kapasitesi, Ah	Akü nominal değerler çıkartmasına başvurun
Nominal voltaj, V	36
Ağırlık, kg	0,7

**KEES VAN DER SPEK**  
TUINMACHINES ★ STOLWIJK

# AT Uyumluluk Bildirimi

## AT Uyumluluk Bildirimi

**Husqvarna AB**, SE-561 82 Huskvarna, İsveç, tel.: +46-36-146500; seri numaraları 2021 veya sonraki tarihli (yıl, seri numarasıyla birlikte nominal değerler plakasında açıkça belirtilmiştir) **Husqvarna 120ITK4-H** uzun shaftlı çit düzelticinin aşağıdaki KONSEY DİREKTİFİ gereksinimleriyle uyumlu olduğunu belirtir:

- 17 Mayıs 2006 tarihli ve **2006/42/AT** sayılı "makinelele ilgili" direktif.
- 26 Şubat 2014 tarihli ve **2014/30/AB** sayılı "elektromanyetik uyumlulukla ilgili" direktif.
- 8 Haziran 2011 tarihli ve **2011/65/AB** sayılı "belirli tehlikeli maddelerin kısıtlanmasına" ilişkin direktif.

Aşağıdaki standartlar uygulanmıştır:

**EN 62841-1:2015, EN 62841-4-2:2019, EN 55014-1:2017+A11, EN 55014-2:2015, CISPR12:2007+A1 2009, EN IEC 63000:2018.**

TÜV Rheinland LGA Products GmbH, Tillystrasse 2, D-90431 Nuernberg, Germany, Husqvarna AB adına gönüllü olarak tip incelemesi gerçekleştirmiştir. Sertifikada numarası: **AM 50491653 0001**.

Huskvarna 2020-12-30



**KEES VAN DER SPEK**  
NES \* STOLWIJK

Pär Martinsson, Geliştirme Müdürü (Husqvarna AB yetkili temsilcisi ve teknik dokümantasyon sorumlusu.)

Türk ithalat şirketi daha fazla bilgi için temas edilecek:  
Çullas Orman Bahçe ve Tarım Mak. San. Tic. A.Ş.  
Suadiye Mh. Bağdat Cd. No:455/4  
Kadıköy – 34740 İstanbul / Türkiye  
Telefon: +90 216 519 88 82  
Faks: +90 216 519 88 78  
info@cullas.com.tr



## Зміст

Вступ.....	500	Усунення несправностей.....	514
Безпека.....	502	Транспортування, зберігання й утилізація.....	515
Збирання.....	510	Технічні характеристики.....	516
Експлуатація.....	511	Декларація відповідності ЄС.....	518
ТЕХНІЧНЕ ОБСЛУГОВУВАННЯ.....	513		

## Вступ

### Опис виробу

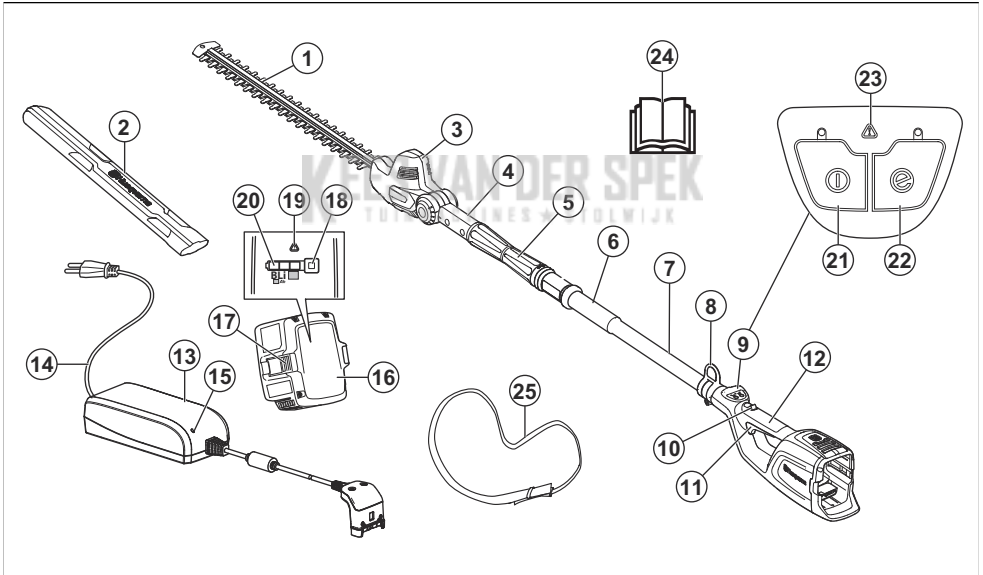
Husqvarna 120iTK4-H – акумуляторний телескопічний тример для живої огорожі.

Ми постійно працюємо над підвищенням вашої безпеки й ефективності роботи. По додаткову інформацію звертайтеся до свого сервісного дилера.

### Правильне використання

Цей виріб використовується для зрізання гілок і сучків. Забороняється використовувати продукт для інших завдань.

### Огляд виробу



1. Лезо
2. Чохол для транспортування
3. Корпус
4. Розбірна ручка положення
5. Телескопічна функція
6. Передня ручка
7. Вал
8. Гак-тримач пасової підвіски
9. Кнопка панель
10. Фіксатор механічного пускового пристрою

11. Механічний пусковий пристрій
12. Задня ручка
13. Зарядний пристрій
14. Шнур
15. Світлодіодний індикатор живлення / попередження
16. Акумулятор
17. Кнопки для виймання акумуляторної батареї
18. Кнопка індикатора стану акумулятора
19. Індикатор попереджень
20. Світлодіодний індикатор стану акумулятора

- 21. Кнопка запуску / зупинки
- 22. Кнопка SavE
- 23. Індикатор попереджень
- 24. Посібник користувача
- 25. Пасова підвіска

## Символи на виробі



**ПОПЕРЕДЖЕННЯ!** Цей виріб може бути небезпечним. Необережне або неправильне використання виробу може призвести до травм або смерті оператора чи сторонніх осіб. Щоб уникнути травмування оператора чи сторонніх осіб, уважно прочитайте всі правила техніки безпеки, наведені в цьому посібнику користувача, і дотримуйтеся них. Перед початком використання виробу уважно прочитайте посібник користувача й переконайтеся, що зрозуміли всі вказівки.



На ділянках, де існує ризик падіння предметів, завжди надягайте захисний шолом. Користуйтеся затвердженими захисними навушниками. Користуйтеся відповідними засобами захисту очей.



Використовуйте відповідні захисні рукавиці.



Виріб відповідає належним вимогам директив ЄС



Номінальна напруга, В



Постійний струм.



Захищайте від дощу.



Не наближайте руки до леза.



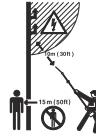
Телескопічна конструкція.



Розкладна конструкція.



Для послаблення поверніть головку ліворуч, для затягнення – праворуч.



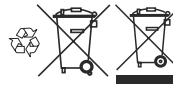
Цей виріб не оснащений ізоляцією. Якщо виріб торкнеться високовольтної електролінії чи наблизиться до неї, це може призвести до смерті чи тяжкої травми. Струм може пройти по дузі від однієї точки до другої. Що вища напруга, то більша відстань, яку може подолати струм. Струм може також передаватися через гілки й інші предмети, особливо якщо вони вологі. Відстань між виробом і високовольтними лініями електропередач та / або об'єктами, що прилягають до них, має завжди бути щонайменше 10 м. Якщо є потреба працювати ближче за цю відстань, до початку роботи вам необхідно звернутися до компанії з енергопостачання й упевнитися, що напругу відключено. Під час роботи дистанція між вами та сторонніми особами чи тваринами має становити щонайменше 15 м.

ууууwwxxxx

На таблиці з паспортними даними вказано серійний номер, де **уууу** – це рік виготовлення, а **ww** – тижень виготовлення.

**Зверніть увагу:** Інші позначення на виробі відповідають вимогам сертифікації для певних ринків.

## Позначення на акумуляторі та/або на зарядному пристрої



Утилізацію виробу необхідно проводити на підприємстві з переробки відходів електричного й електронного обладнання. (Лише для країн Європи)



Захисний ізолюючий трансформатор.



Зарядний пристрій слід використовувати й зберігати лише в приміщенні.



Подвійна ізоляція.

## Відповідальність за якість продукції

Згідно із законом про відповідальність за якість продукції ми не несемо відповідальності за будь-які пошкодження, спричинені роботою наших виробів, якщо:

- виріб було неправильно відремонтовано;
- виріб було відремонтовано із використанням деталей, виготовлених не виробником або не затверджених ним;
- виріб обладнано аксесуаром, виготовленим не виробником або не затвердженим ним;
- виріб було відремонтовано в неавторизованому сервісному центрі або неавторизованою компанією;

## Безпека

### Визначення щодо безпеки

Попередження, застереження й примітки служать для наголошення на особливо важливих положеннях посібника.



**ПОПЕРЕДЖЕННЯ:** Вказує на те, що в разі порушення інструкцій, наведених у цьому посібнику, існує небезпека поранення або смерті оператора чи інших осіб, що знаходяться поруч.



**УВАГА:** Вказує на те, що в разі порушення інструкцій, наведених у цьому посібнику, існує небезпека пошкодження виробу, інших матеріалів або навколишніх об'єктів.

**Зверніть увагу:** Використовується для надання додаткової інформації щодо певної ситуації.

### Загальні правила безпеки при роботі з електроінструментами



**ПОПЕРЕДЖЕННЯ:** Прочитайте всі попередження та всі інструкції. Недотримання попереджень та інструкцій може призвести до ураження електричним струмом, пожежі та/або серйозних травм.

**Зверніть увагу:** Збережіть усі попереджувальні знаки й інструкції для звернення до них у майбутньому. Терміном «електроінструмент» у попередженнях позначається ваш електроінструмент, який працює від електромережі (з кабелем), або акумуляторний (безпроводний) електроінструмент.

### Безпека в робочій зоні

- **Забезпечуйте порядок та добре освітлення в робочій зоні.** Безлад і погане освітлення сприяють нещасним випадкам.
- **Не використовуйте електроінструмент у вибухонебезпечному середовищі, наприклад, у присутності вогненебезпечних рідин, газів або пилу.** Електроінструменти утворюють іскри, які можуть запалити пил або випари.
- **Не підпускайте до себе дітей та сторонніх осіб, коли працюєте з електроінструментом.** Ви можете відволіктися та втратити контроль.

### Електробезпека

- **Вилки інструментів повинні підходити до розетки.** У жодному разі не змінюйте вилку будь-яким чином. Під час роботи із заземленими електроінструментами не використовуйте будь-які перехідники. Незмінні вилки та відповідні розетки зменшують ризик враження електричним струмом.
- **Уникайте тілесного контакту із заземленими поверхнями, такими як труби, радіатори, кухонні плити та холодильники.** Існує підвищений ризик враження електричними струмом, якщо ваше тіло заземлене.
- **Захищайте інструмент від дощу та вологи.** Потрапання води в інструмент збільшує загрозу ураження електричним струмом.
- **Використовуйте кабель лише за призначенням. Ніколи не використовуйте кабель для перенесення чи перетягування предметів і не тягніть за нього, щоб виїняти вилку з розетки.** Тримайте кабель подалі від джерела тепла, мастила, гострих країв або рухомих деталей. Пошкоджений чи заплутаний кабель збільшує ризик враження електричним струмом.
- **Під час експлуатації електроінструмента надворі використовуйте подовжувальний кабель, що підходить для застосування надворі.** Використання кабелю, який підходить для застосування надворі, зменшує ризик враження електричним струмом.
- **Якщо застосування електроінструменту у вологому середовищі є обов'язковим,**

використовуйте джерело живлення, обладнане пристроєм захисного відключення (ПЗВ).

Використання ПЗВ знижує ризик ураження електричним струмом.

## Особиста безпека

- **Будьте пильними, слідуйте за тим, що робите та дотримуйтеся правил здорового глузду під час експлуатації електроінструмента. Не використовуйте електроінструмент, коли ви стомлені або перебуваєте під впливом наркотиків, алкоголю або лікарських засобів.** Втрата уваги на мить під час експлуатації електроінструмента може призвести до серйозної травми.
- **Використовуйте засоби індивідуального захисту. Обов'язково необхідно користуватися засобами захисту для очей.** Захисне спорядження, наприклад респіратор, черевики з нековзною підошвою, каска або захисні навушники за використання у відповідних умовах зменшують ризик травмування.
- **Запобігайте випадковому запуску. Переконайтеся в тому, що вимикач перебуває у вимкненому положенні, перш ніж підключати інструмент до джерела живлення й / або акумуляторного блоку, піднімати або переносити його.** Не переносьте електроінструменти, тримаючи палець на вимикачі, і не пускайте напругу на електроінструменти, які увімкнено. Це може призвести до нещасних випадків.
- **Перед вимкненням інструмента приберіть будь-які регулювальні або гайкові ключі.** Якщо залишити на обертовій частині гайковий ключ або гайковий вороток, це може призвести до травм.
- **Не тягніться. Завжди стійте твердо на ногах, підтримуйте баланс.** Це дозволить краще контролювати електроінструмент у несподіваних ситуаціях.
- **Одягайтеся правильно. Не вдягайте просторий широкий одяг, не надягайте на себе ювелірні вироби.** Тримайте волосся й одяг подалі від рухомих частин. Просторий широкий одяг, ювелірні вироби або довге волосся можуть потрапити в рухомі деталі.
- **У разі наявності обладнання з видалення й збору пилу переконайтеся в тому, що воно під'єднано та використовується правильно.** Використання обладнання для збору пилу зменшує ризики, поєднані з пилом.
- **Досвід роботи, отриманий під час регулярного використання цього інструмента, не має бути підставою для самовпевненості під час експлуатації виробу й ігнорування правил техніки безпеки.** Необережні дії можуть миттєво призвести до тяжких травм.
- Рівень вібрації при експлуатації електроінструмента може відрізнятись від заявленого загального значення залежно від способу використання інструмента. Оператори

повинні визначити належні заходи безпеки, виходячи з оцінки небезпек у реальних умовах експлуатації (з урахуванням всіх етапів робочого циклу - у тому числі, коли інструмент вимкнений або працює без навантаження (на додаток до часу роботи після запуску курком)).

## Експлуатація та догляд за електроінструментом

- **Не прикладайте силу до електроінструмента. Вибирайте електроінструмент, що підходить для ваших потреб.** Електроінструмент краще, безпечніше та швидше виконає ту роботу, для якої він призначений.
- **Не використовуйте електроінструмент, якщо вимикач не працює.** Будь-який електроінструмент, яким неможливо керувати за допомогою вимикача, є небезпечним та підлягає ремонту.
- **Коли ви збираєтеся виконувати будь-які налаштування, замінювати приладдя або залишати інструмент на зберігання, спочатку витягніть штекер із розетки живлення й/або акумуляторний блок з електроінструмента.** Такі запобіжні заходи зменшують ризик ненавмисного запуску електроінструмента.
- **Вимкнені електроінструменти зберігайте в недоступному для дітей місці й не дозволяйте користуватися ними особам, які не ознайомилися з роботою електроінструмента або з цією інструкцією.** Електроінструменти становлять небезпеку в руках невідготовлених користувачів.
- **Технічне обслуговування електроінструментів. Перевіряйте електроінструмент на предмет зміщення чи вигину рухомих деталей, поломок деталей та будь-якого іншого стану, що може негативно позначитися на його роботі.** У разі пошкодження відремонтуйте електроінструмент, перш ніж користуватися ним. Багато нещасних випадків виникають внаслідок недостатнього технічного обслуговування електричних інструментів.
- **Підтримуйте різальні елементи в нагостреному та чистому стані.** Різальні елементи, що добре обслуговуються та мають гострі різальні кромки, будуть легше керуватися та з меншою імовірністю будуть заклинані.
- **Використовуйте електроінструмент, приладдя та різці у відповідності з цією інструкцією, враховуючи умови та характер роботи, яку потрібно виконати.** Використання електроінструмента для виконання непередбачених операцій може призвести до небезпечної ситуації.
- **Рукоятки та поверхні для тримання мають бути сухими, чистими й знежиреними.** Неможливо надійно тримати інструмент за слизькі рукоятки чи інші поверхні або керувати ним у непередбачених ситуаціях.

## Використання інструментів з акумуляторною батареєю та догляд за ними

- **Зарядку батареї слід здійснювати виключно за допомогою зарядного пристрою, зазначеного виробником.** Використання зарядного пристрою, призначеного для роботи з батареями одного типу, з батареями іншого типу може спричинити пожежу.
- **Використовуйте електроінструмент лише з призначеними для нього батареями.** Використання акумуляторних батарей інших типів може призвести до травмування чи пожежі.
- **Якщо акумуляторний блок не використовується, слід тримати його подалі від металевих предметів, таких як скріпки, монети, ключі, цвяхи, гвинти й інші дрібні металеві предмети, які можуть з'єднати один контакт батареї з іншим.** Замикання контактів акумулятора може призвести до опіків або пожежі.
- **У разі неправильного застосування з акумулятора може випіскуватися рідина; уникайте контакту з нею.** При випадковому контакті промийте місце контакту водою. В разі потраплення рідини в очі на додаток до їхнього інтенсивного промивання зверніться по медичну допомогу. Рідина з акумуляторної батареї може викликати подразнення та опіки.
- **Не використовуйте пошкоджений чи змінений акумуляторний блок або інструмент.** Із пошкодженими чи видозміненими батареями може статися непередбачуване: вони можуть зайнятися, вибухнути або створити інший ризик травмування оператора.
- **Захищайте акумуляторний блок та інструмент від вогню й надмірних температур.** Під впливом вогню або температури понад 130 °C (265°F) може статися вибух.
- **Дотримуйтеся всіх інструкцій із заряджання й не заряджайте акумуляторний блок чи інструмент поза межами діапазону температур, зазначеного в інструкціях.** Неналежне заряджання за температури поза межами зазначеного діапазону може пошкодити акумулятор і підвищує ризик займання.

## Обслуговування

- **Сервісне обслуговування електроінструмента повинен виконувати кваліфікований майстер з використанням лише ідентичних запасних частин.** Це гарантуватиме підтримання безпечної роботи електроінструмента.
- **За жодних умов не виконуйте технічного обслуговування пошкоджених акумуляторних блоків.** Технічне обслуговування акумуляторних блоків мають виконувати лише спеціалісти виробника або повноваженого постачальника послуг.

## Правила техніки безпеки під час використання тримера для живоплоту

- **Тримайте лезо подалі від себе. Не прибирайте обрізки та не тримайтеся за куці чи гілки, які ви обрізаєте, поки леза рухаються.** Після переведення вимикача у вимкнене положення, леза продовжують рухатися. Відволікання під час роботи з тримером для живоплоту може призвести до серйозної травми.
- **Переносьте тример для живоплоту за рукоятку та із зупиненим лезом і слідкуйте, щоб не увімкнувся вимикач електроживлення.** Правильне перенесення тримера для живоплоту знизить ризик ненавмисного запуску пристрою та ймовірність травмування лезами.
- **Під час транспортування або зберігання тримера для живої огорожі завжди надягайте кожух на лезо.** Належне поводження з тримером для живоплоту знизить ризик травмування лезами.
- **Під час видалення застряглих обрізків або обслуговування пристрою всі вимикачі електроживлення повинні перебувати у вимкненому положенні, а кабель живлення має бути від'єднаний.** Неочікуваний запуск тримера для живоплоту під час видалення застряглих обрізків чи обслуговування може призвести до тяжких травм.
- **Тример для живоплоту слід завжди тримати за ізольовані поверхні, оскільки лезо може торкнутися схованих електричних дротів або кабелю електроживлення пристрою.** Леза, які торкаються кабелів під напругою, можуть проводити напругу до відкритих металевих деталей тримера, що може призвести до ураження оператора електричним струмом.
- **Тримайте всі силові кабелі подалі від зони різання.** Під час роботи можна не помітити силові кабелі в кущах і випадково перерізати їх лезом.
- **Не використовуйте тример для живоплоту за складних погодних умов, особливо під час грози.** Недотримання цієї вимоги підвищує ризик удару блискавкою.
- **Щоб знизити ризик удару електричним струмом, не використовуйте подовжуваний тример для живоплоту поблизу ліній електропередачі.** Контакт із лініями електропередачі або використання інструмента поряд із ними може призвести до серйозної травми або смерті від ураження електричним струмом.
- **Під час використання подовжуваного тримера для живої огорожі завжди тримайте його обома руками.** В іншому разі можна втратити контроль над інструментом.
- **Під час підстригання живоплоту над головою завжди використовуйте засоби захисту голови.** Падіння обрізків може призвести до тяжкої травми.



## Загальні правила техніки безпеки



**ПОПЕРЕДЖЕННЯ:** Перш ніж розпочати використання виробу, уважно прочитайте наведені нижче попередження.

- Виймайте акумулятор, щоб уникнути випадкового вмикання виробу.
- Цей виріб може бути небезпечним у разі неправильного або недбалого використання. Цей виріб може призвести до отримання серйозних травм або смерті оператора чи сторонніх осіб.
- Не використовуйте виріб у разі зміни його початкових технічних характеристик. Не замінюйте деталі виробу без дозволу виробника. Використовуйте лише сертифіковані виробником деталі. Неправильне технічне обслуговування може призвести до травм або смерті.
- Перевірте виріб перед використанням. Див. розділи *Механізми безпеки на пристрої на сторінці 507* та *ТЕХНІЧНЕ ОБСЛУГОВУВАННЯ на сторінці 513*. Не користуйтеся пошкодженим виробом. Вживайте заходи техніки безпеки та дотримуйтеся вказівок із технічного обслуговування, наведених у цьому посібнику.
- Необхідно наглядати за дітьми, щоб вони не гралися з цим виробом. Ніколи не дозволяйте дітям або невідготтовленим людям використовувати виріб і / або акумулятор чи здійснювати його технічне обслуговування. Вік користувача може регламентуватися місцевими законами.
- Зберігайте виріб у закритому приміщенні, куди не зможуть отримати доступ діти та особи без належної підготовки.
- Зберігайте акумулятор у недоступному для дітей місці.
- За жодних обставин не змінюйте конструкцію виробу без дозволу виробника. Використовуйте лише оригінальні додаткові аксесуари. Застосування незатверджених модифікацій і / або приладдя може призвести до тяжкої чи смертельної травми користувача чи інших осіб.

**Зверніть увагу:** Дотримуйтеся вимог державних чи місцевих норм, що стосуються поводження з пристроєм.

## Правила техніки безпеки під час використання



**ПОПЕРЕДЖЕННЯ:** Перш ніж розпочати використання виробу, уважно прочитайте наведені нижче попередження.

- Якщо виникне незнайома ситуація, слід спитати поради у фахівця. Зв'яжіться з продавцем або центром обслуговування. Намагайтеся не робити того, що, на вашу думку, ви зробити не в змозі.
- У жодному разі не користуйтеся виробом, якщо ви втомлені, перебуваєте під впливом алкоголю, наркотиків, лікарських засобів або будь-яких інших речовин, що можуть вплинути на зір, зосередженість, свідомість чи координацію рухів.
- Робота в несприятливих погодних умовах втомлює, а також створює додаткову небезпеку. Не рекомендується використовувати виріб у дуже погану погоду, наприклад у густий туман, під час зливи, сильного вітру чи холоду, коли існує ризик блискавки тощо, адже це створює додаткову небезпеку.
- Несправна різальна насадка може збільшувати ймовірність виникнення нещасних випадків.
- Не дозволяйте дітям використовувати виріб чи перебувати біля нього. Оскільки виріб запустити не важко, діти можуть це зробити, якщо залишити їх без нагляду. Це може означати ризик серйозної травми. Слід від'єднувати акумулятор, якщо виріб знаходиться без нагляду.
- Подбайте, щоб під час роботи в радіусі 15 м навколо не було людей і тварин. Коли декілька користувачів працюють в одному місці, мінімальна безпечна відстань між ними становить 15 м. Інакше існує ризик серйозного травмування. Якщо хтось підійде, негайно вимкніть виріб. Ніколи не повертайте виріб, не перевірявши, чи не стоїть хтось за спиною.
- Переконайтеся, що люди, тварини чи будь-що інше не перешкоджатиме вам під час користування виробом та не постраждають від ріжучої насадки або предметів, які можуть відскочити від неї. Не користуйтеся виробом, якщо в разі нещасного випадку немає можливості покликати на допомогу.
- Завжди перевіряйте робочу зону. Приберіть всі випадкові предмети, такі як каміння, розбите скло, цвяхи, сталеві дроти, мотузки тощо, які можуть відскочити чи намотатися на ріжучу насадку.
- Переконайтеся, що ви можете безпечно стояти й рухатися. Перевірте, чи немає навколо можливих перешкод (коріння, каміння, гілок, ровів тощо) у випадку, якщо треба буде різко переміститися. Будьте дуже уважні, працюючи на схилах.
- Завжди зберігайте рівновагу й стійке положення. Не тягніться.
- Перш ніж перейти в інше місце, вимикайте виріб. Коли виріб не використовується, необхідно завжди встановлювати чохол для транспортування.
- Не кладіть виріб на землю, якщо ви не вимкнули його. Не залишайте виріб без нагляду, якщо він увімкнений.
- Перш ніж передавати виріб іншій особі, вийміть акумулятор.

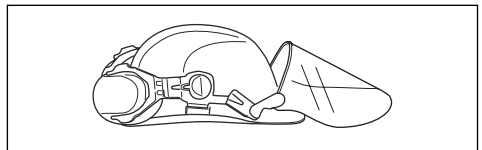
- Переконайтеся, що одяг або частини тіла не торкаються різальної насадки, коли виріб вмикається.
- Якщо під час експлуатації виробу щось застрягне в різальній насадці, зупиніть його й вимкніть живлення. Переконайтеся, що різальна насадка повністю зупинилася. Виймайте акумулятор перед очищенням, оглядом чи ремонтом виробу й / або різального обладнання.
- Тримайте руки й ноги на безпечній відстані від різальної насадки, доки вона повністю не зупиниться після вимкнення виробу.
- Бережіться пнів і гілок, які можуть бути відкинуті під час різання. Не ріжте занадто близько до землі, якщо існує ризик відскакування каміння й інших предметів.
- Остерігайтеся предметів, що відскакують. Завжди користуйтеся засобами захисту очей затвердженого зразка. Ніколи не нахиляйтеся через захисний кожух різальної насадки. Каміння, сміття тощо може відскочити й потрапити в очі, спричинивши сліпоту чи тяжку травму.
- Працюючи в захисних навушниках, прислухайтеся до попереджувальних сигналів й опкиків. Коли виріб зупиниться, негайно змініть захисні навушники.
- Ніколи не працюйте на драбині, табуреті та іншому піднятому положенні, яке не є достатньо надійним.
- Під час роботи цього виробу утворюється електромагнітне поле. Це поле може за деяких умов взаємодіяти з активними чи пасивними медичними імплантатами. Щоб зменшити ризик серйозних або смертельних травм, рекомендуємо особам із медичними імплантатами проконсультуватися зі своїм лікарем і виробником медичного імплантату перед початком експлуатації цього приладу.
- Завжди тримайте виріб обома руками. Тримайте виріб праворуч.
- Перш ніж прибирати матеріали, що намоталися на вал ножа, або застрягли між захисним кожухом і різальною насадкою, завжди зупиняйте виріб, виймайте акумулятор і переконайтеся, що різальна насадка припинила обертатися.
- Під час експлуатації електромагнітне поле може перешкоджати роботі активних чи пасивних медичних імплантів. Перед використанням цього виробу люди з медичними імплантатами мають звернутися до свого лікаря й виробника імплантів.
- Розподілення ваги виробу за допомогою пасової підвіски полегшує роботу.
- Тривала робота за сильного шуму може призвести до погіршення слуху. Husqvarna рекомендує операторам використовувати затверджені захисні навушники.
- Ніколи не користуйтеся виробом, у конструкцію якого було внесено будь-які зміни.
- Забороняється користуватися несправним виробом. Дотримуйтесь вимог із техніки безпеки та вказівок із технічного обслуговування, наведених у цьому посібнику. Деякі операції технічного обслуговування мають виконувати лише кваліфіковані фахівці. Див. інструкції в розділі «Технічне обслуговування».
- Перед початком експлуатації проведіть загальний огляд виробу. Див. графік технічного обслуговування.
- Особам, які не прочитали посібник користувача та не усвідомили його зміст, заборонено користуватися виробом.
- Перевірте робочу зону на наявність тварин, електричних кабелів чи інших предметів, наприклад, металевих, які можуть пошкодити різальний вузол.
- Несправні леза збільшують небезпеку виникнення нещасних випадків.

## Засоби індивідуального захисту



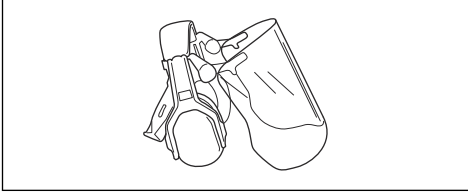
**ПОПЕРЕДЖЕННЯ:** Перш ніж розпочати використання виробу, уважно прочитайте наведені нижче попередження.

- Під час роботи з виробом завжди використовуйте сертифіковані засоби індивідуального захисту. Засоби індивідуального захисту не можуть повністю усунути небезпеку травмування, але в разі нещасного випадку знизять ступінь тяжкості травми. Дозвольте дилеру допомогти вам із вибором підходящого обладнання.
- Надягайте захисний шолом у місцях, де є небезпека падіння предметів.



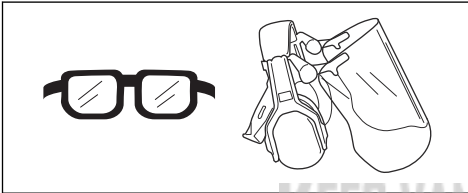
- Тривала робота в умовах сильного шуму може призвести до порушень слуху. Загалом акумуляторні вироби відносно тихі, однак поєднання рівня шуму та тривалого використання може призвести до погіршення слуху. У разі тривалого використання виробу компанія Husqvarna рекомендує операторам використовувати захисні навушники. Оператори,

які використовують виріб довго та постійно, повинні регулярно перевіряти свій слух.

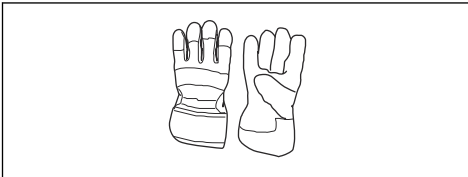


**ПОПЕРЕДЖЕННЯ:** Захисні навушники обмежують здатність чути звуки й попереджувальні сигнали.

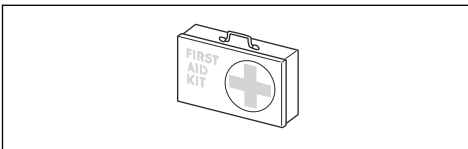
- Користуйтеся відповідними засобами захисту очей. У разі використання захисної маски необхідно додатково вдягати схвалені захисні окуляри. Схвалені захисні окуляри повинні відповідати стандарту ANSI Z87.1 в США чи EN 166 у країнах ЄС.



- За потреби використовуйте рукавиці, наприклад якщо необхідно приєднати, оглянути або почистити різальне обладнання.



- Використовуйте одяг, виготовлений із міцної тканини. Завжди використовуйте довгі штани з міцної тканини й сорочку з довгими рукавами. Уникайте надто просторого одягу, який може зачепитися за сучки або гілки. Не надягайте на час роботи прикраси, короткі штани, сандалії, а також не ходіть босоніж. Заколуйте волосся вище рівня плечей.
- Тримайте під рукою аптечку.



## Механізми безпеки на пристрої



**ПОПЕРЕДЖЕННЯ:** Перш ніж розпочати використання виробу, уважно прочитайте наведені нижче попередження.

У цьому розділі описано засоби безпеки виробу, його призначення, а також порядок виконання перевірок і технічного обслуговування, необхідний для забезпечення його правильної роботи. Розташування цих деталей на виробі див. в інструкціях під заголовком *Огляд виробу на сторінці 500*.

Термін служби виробу може зменшитись, а небезпека виникнення нещасних випадків збільшиться, якщо його технічне обслуговування виконується неправильно або якщо обслуговування та / або ремонт виконуються непрофесійно. Для отримання додаткової інформації зверніться до найближчого сервісного дилера.



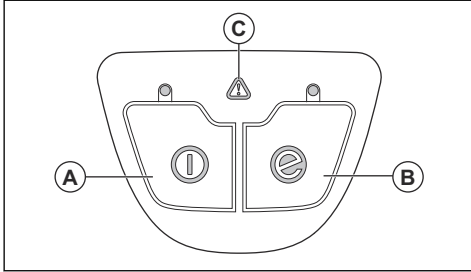
**ПОПЕРЕДЖЕННЯ:** Не використовуйте виріб із пошкодженими елементами захисту. Захисне обладнання виробу потрібно перевіряти й здійснювати його технічне обслуговування згідно з указівками, поданими в цьому розділі. Якщо виріб не відповідає хоча б одній із вимог перевірки, зверніться до центру обслуговування для ремонту.



**УВАГА:** Щоб проводити обслуговування та роботи з ремонту, потрібно мати спеціальну підготовку. Це особливо стосується захисного обладнання інструмента. Якщо інструмент не відповідає принаймні одній із вимог перевірки, що наведені нижче, зверніться до працівника центру обслуговування. Купуючи будь-який наш виріб, ви отримуєте гарантію на професійний ремонт та обслуговування. Якщо продавець, у якого Ви купуєте інструмент, не надає послуг з обслуговування, дізнайтеся в нього, де знаходиться найближчий центр обслуговування.

## Перевірка клавішної панелі

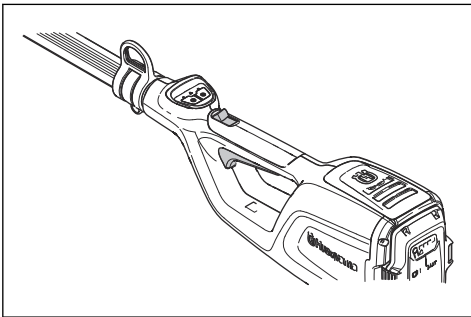
1. Натисніть і утримуйте кнопку ввімкнення / вимкнення (A).



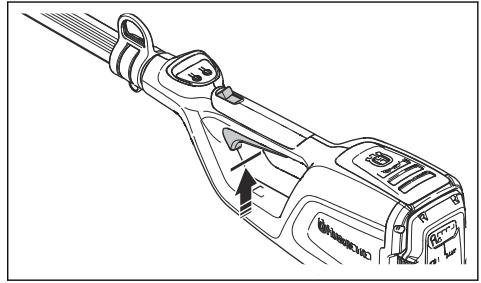
- a) Коли світлодіодний індикатор горить, це означає, що виріб увімкнено.
  - b) Коли світлодіодний індикатор не горить, це означає, що виріб вимкнено.
2. Див. *Запуск функції SavE на сторінці 512*, щоб дізнатися про кнопку SavE (B).
  3. Якщо індикатор попередження (C) горить або блимає, див. *Усунення несправностей на сторінці 514*.

## Перевірка фіксатора механічного пускового пристрою

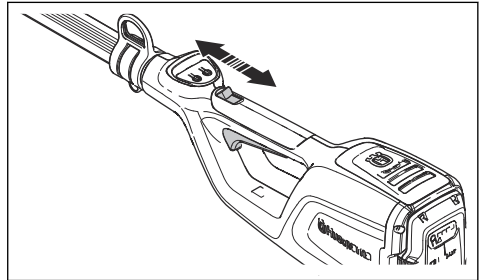
Фіксатор механічного пускового пристрою запобігає випадковому вмиканню. Коли ви випускаєте ручку з рук, фіксатор і механічний пусковий пристрій повертаються до вихідного положення.



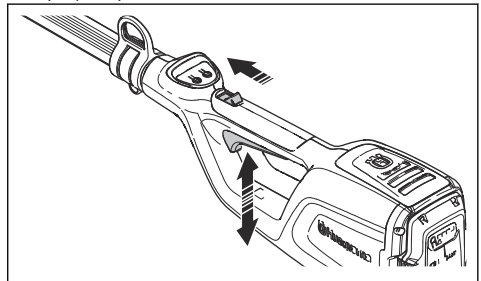
1. Переконайтеся, що механічний пусковий пристрій заблоковано, коли фіксатор перебуває у вихідному положенні.



2. Потягніть і відпустіть фіксатор і переконайтеся, що він повертається в вихідне положення.



3. Переконайтеся, що механічний пусковий пристрій і фіксатор рухаються вільно, а зворотна пружина працює правильно.



4. Запустіть виріб, див. *Увімкнення виробу на сторінці 512*.
5. Увімкніть виріб на максимальну потужність.
6. Відпустіть механічний пусковий пристрій і переконайтеся в тому, що різальна насадка зупинилася.

## Заходи безпеки під час роботи з акумуляторами



**ПОПЕРЕДЖЕННЯ:** Перш ніж розпочати використання виробу, уважно прочитайте наведені нижче попередження.

- Рекомендований акумулятор – BLi10. Див. *Технічні характеристики на сторінці 516*. Акумулятор програмно закодований.
- Використовуйте лише акумулятор BLi10 для живлення відповідних виробів Husqvarna. Щоб уникнути травмування, заборонено використовувати акумулятор в якості джерела живлення для інших приладів.
- Небезпека ураження електричним струмом. Забороняється під'єднувати клеми акумулятора до ключів, монет, гвинтів або інших металевих предметів. Це може призвести до короткого замикання в акумуляторі.
- Не використовуйте одноразові батареї.
- Заборонено вставляти предмети у вентиляційні отвори акумулятора.
- Тримайте акумулятор подалі від прямих сонячних променів, джерел тепла й відкритого вогню. Акумулятор може призвести до опіків та / або хімічних опіків.
- Бережіть акумулятор від дощу та вологи.
- Захищайте акумулятор від впливу мікрохвиль чи високого тиску.
- Заборонено розбирати чи ламати акумулятор.
- У разі витікання рідини з акумулятора слідкуйте, щоб вона не потрапила на тіло чи в очі. Якщо рідина потрапила на шкіру, промийте вражену ділянку великою кількістю води з милом та зверніться за медичною допомогою. Якщо рідина потрапила в очі, не слід їх терти, натомість потрібно промивати водою протягом щонайменше 15 хвилин та звернутися за медичною допомогою.
- Акумулятор дозволяється використовувати за температури від  $-10\text{ }^{\circ}\text{C}$  ( $14\text{ }^{\circ}\text{F}$ ) до  $40\text{ }^{\circ}\text{C}$  ( $114\text{ }^{\circ}\text{F}$ ).
- Заборонено мити батарею чи зарядний пристрій водою. Див. *Чищення виробу, акумулятора й зарядного пристрою на сторінці 514*.
- Не використовуйте несправний чи пошкоджений акумулятор.
- Зберігайте акумулятори подалі від металевих предметів на кшталт цвяхів, гвинтів чи ювелірних виробів.
- Тримайте акумулятор подалі від дітей.

рекомендовано використовувати зарядний пристрій QC80.

- Заборонено розбирати зарядний пристрій.
- Не використовуйте зарядний пристрій із ознаками пошкодження.
- Заборонено підіймати зарядний пристрій, тримаючи його за шнур живлення. Щоб від'єднати зарядний пристрій від настінної розетки, витягніть штепсельну вилку. У жодному разі не тягніть за шнур живлення.
- Пильнуйте, щоб усі кабелі та подовжувальні шнури були якомога далі від води, мастил і гострих кутів. Переконайтеся в тому, що кабелі не здавлено сторонніми предметами, наприклад дверима, огорожею або аналогічними предметами.
- Заборонено використовувати зарядний пристрій поблизу легкозаймистих або корозійних матеріалів. Переконайтеся в тому, що зарядний пристрій нічим не накритий. При появі диму чи вогню витягніть штепсель зарядного пристрою з розетки.
- Заряджати акумулятор слід тільки в добре провітрюваних приміщеннях та подалі від сонячного світла. Не заряджайте акумулятор надворі. Не заряджайте акумулятор у вологому середовищі.
- Використовуйте зарядний пристрій лише в приміщеннях із температурою від  $5\text{ }^{\circ}\text{C}$  ( $41\text{ }^{\circ}\text{F}$ ) до  $40\text{ }^{\circ}\text{C}$  ( $104\text{ }^{\circ}\text{F}$ ). Використовуйте зарядний пристрій лише в сухому приміщенні з доброю вентиляцією, в якому немає пилу.
- Забороняється вставляти предмети у вентиляційні отвори зарядного пристрою.
- Заборонено з'єднувати контакти зарядного пристрою металевими предметами, оскільки це може призвести до короткого замикання.
- Використовуйте справні розетки відповідного типу. Переконайтеся в тому, що шнур зарядного пристрою не пошкоджено. Якщо використовуються подовжувачі, переконайтеся в тому, що вони не пошкоджені.

## Правила техніки безпеки під час обслуговування

### Заходи безпеки під час роботи із зарядним пристроєм



**ПОПЕРЕДЖЕННЯ:** Перш ніж розпочати використання виробу, уважно прочитайте наведені нижче попередження.

- Через недотримання правил техніки безпеки може виникнути ризик ураження електричним струмом або короткого замикання.
- Заборонено використовувати будь-які інші зарядні пристрої, окрім того, що йде в комплекті до виробу. Для заряджання акумулятора BLi10



**ПОПЕРЕДЖЕННЯ:** Перш ніж розпочати технічне обслуговування виробу, уважно прочитайте наведені нижче попередження.

- Перед технічним обслуговуванням, іншими перевітками чи монтажем виробу необхідно виймати акумулятор.
- Оператор має виконувати лише ті види технічного обслуговування, що описані в цьому посібнику користувача. У разі необхідності виконання складніших робіт із технічного обслуговування слід звернутися до сервісного дилера.

- Заборонено мити батарею чи зарядний пристрій водою. Використання сильнодіючих миючих засобів може призвести до пошкодження пластику.
- Відсутність технічного обслуговування зменшує термін служби виробу й підвищує вірогідність виникнення нещасних випадків.
- Для виконання робіт з обслуговування й ремонту, особливо в разі роботи із захисними пристроями виробу, необхідна спеціальна підготовка. Якщо після технічного обслуговування виріб не пройде частину перевірок, наведених у цьому посібнику

користувача, зверніться до свого сервісного дилера. Ми гарантуємо можливість професійного ремонту й обслуговування вашого виробу.

- Зубці леза мають бути правильно нагострені. Дотримуйтеся наших рекомендацій. Прочитайте інструкції на упаковці леза.
- Використовуйте лише оригінальні запасні частини.
- Під час роботи з різальною насадкою завжди надягайте міцні рукавиці. Леза дуже гострі й можуть легко спричинити травми.

## Збирання

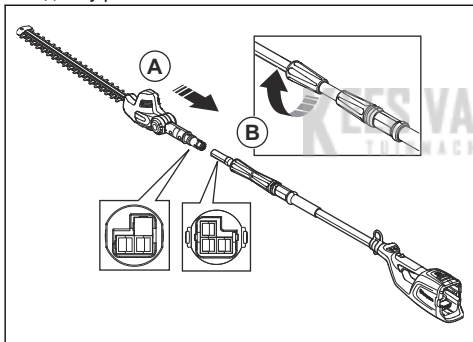
### Вступ



**ПОПЕРЕДЖЕННЯ:** Перед збиранням виробу уважно прочитайте розділ про правила техніки безпеки.

### Монтаж вала

1. Переконайтеся, що штекери перебувають на одному рівні.



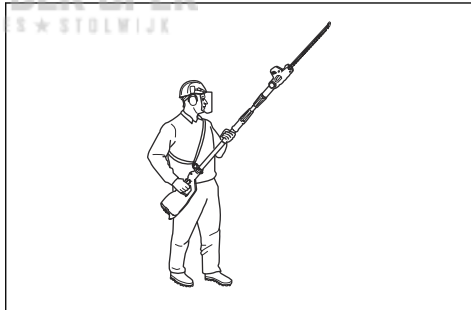
2. Повністю з'єднайте краї вала (A).
3. Затягніть гвинтову рукоятку на боці вала, де розташована головка (B).

2. Налаштуйте необхідну висоту вала.
3. Затягніть гвинтову рукоятку (B).

### Регулювання пасової підвіски

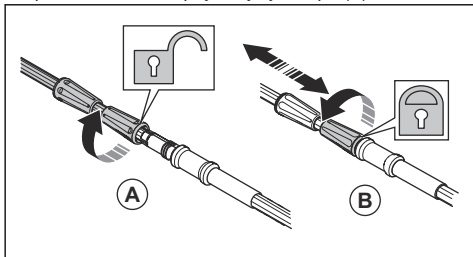
Під час експлуатації виробу завжди використовуйте пасову підвіску. Пасова підвіска забезпечує максимальний контроль під час експлуатації виробу. Пасова підвіска зменшує втому рук і спини.

1. Надягніть пасову підвіску.
2. Прикріпіть інструмент до гака-тримача на пасовій підвісці.
3. Відрегулюйте довжину пасової підвіски таким чином, щоб гак-тримач був приблизно на рівні правого стегна.



### Змінення довжини вала

1. Послабте гвинтову рукоятку на боці вала, де розташований корпус акумулятора (B).



# Експлуатація

## Вступ



**ПОПЕРЕДЖЕННЯ:** Перед використанням виробу уважно прочитайте розділ про правила техніки безпеки.

## Дії перед початком роботи з виробом

1. Перевірте робочу зону. Видаліть усі предмети, які можуть відлетіти.
2. Перевірте різальну насадку. Переконайтеся в тому, що леза гострі, на них немає тріщин або пошкоджень.
3. Переконайтеся в тому, що виріб працює належним чином. Переконайтеся в тому, що гайки та гвинти затягнуто належним чином.
4. Переконайтеся в тому, що ручку й запобіжні пристрої не пошкоджено та правильно прикріплено. Не використовуйте виріб у разі відсутності на ньому певних деталей або в разі змінення його початкових технічних характеристик. За необхідності використовуйте захисні рукавиці.
5. Перед початком експлуатації виробу переконайтеся в тому, що кришки не пошкоджено й встановлено правильно.

## Підключення зарядного пристрою

1. Зарядний пристрій слід приєднувати лише до джерел електроживлення з напругою та частотою, вказаними на табличці з паспортними даними.
2. Під'єднайте штепсель лише до належним чином заземленої розетки. Світлодіод зарядного пристрою блимне один раз зеленим кольором.

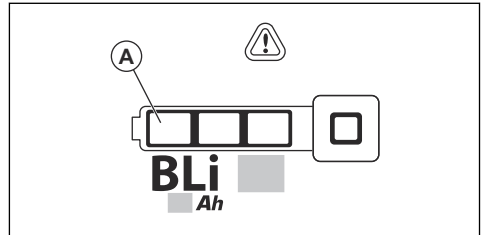
**Зверніть увагу:** Акумулятор не заряджатиметься, якщо його температура перевищуватиме 50 °C / 122 °F. Якщо температура акумулятора становитиме більше 50 °C / 122 °F, зарядний пристрій почне його охолоджувати.

## З'єднання акумулятора із зарядним пристроєм

**Зверніть увагу:** Перед першим використанням акумулятор необхідно зарядити. Новий акумулятор заряджений лише на 30 %.

1. Переконайтеся, що акумулятор сухий.
2. Під'єднайте акумулятор до зарядного пристрою.

3. Переконайтеся, що на зарядному пристрої ввімкнучся зелений індикатор зарядження. Це буде означати, що акумулятор під'єднаний до зарядного пристрою правильно.
4. Якщо загоряються всі світлодіодні індикатори (A), це означає, що акумулятор повністю заряджено.



5. Щоб від'єднати зарядний пристрій від настінної розетки, витягніть штепсельну вилку. У жодному разі не тягніть за шнур.
6. Вийміть акумулятор із зарядного пристрою.

**Зверніть увагу:** Детальнішу інформацію можна знайти в посібниках для акумулятора й зарядного пристрою.

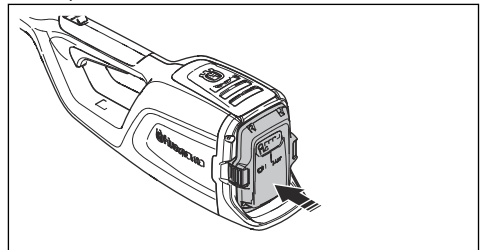
## Під'єднання акумулятора до виробу



### ПОПЕРЕДЖЕННЯ:

Використовуйте лише оригінальні акумулятори Husqvarna.

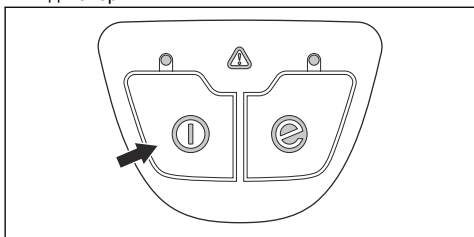
1. Переконайтеся, що акумулятор повністю заряджений.
2. Вставте акумулятор у тримач акумулятора виробу. Акумулятор має вставлятися в тримач легко. Якщо це не так, його встановлено неправильно.



3. Повністю просуньте акумулятор у тримач, штовхаючи його знизу. Акумулятор зафіксується на місці, коли ви почуєте клацання.
4. Переконайтеся, що фіксатори стали на свої місця.

## Ввімкнення виробу

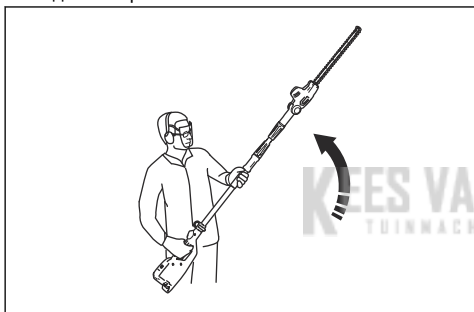
1. Натисніть кнопку запуску/зупинки й утримуйте її, доки не ввімкнеться зелений світлодіодний індикатор.



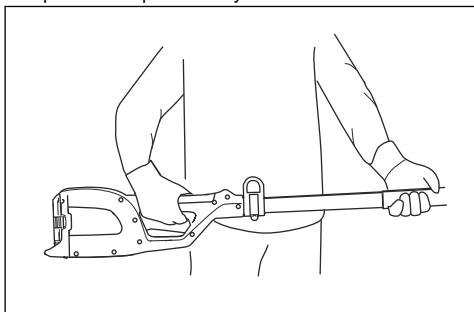
2. Потягніть фіксатор механічного пускового пристрою назад і втримуйте пусковий пристрій.

## Робота з виробом

- Під час обрізання бокових поверхонь огорожі починайте знизу й пересувайте виріб угору вздовж огорожі.



- Для забезпечення стійкого робочого положення тримайте виріб поблизу тіла.

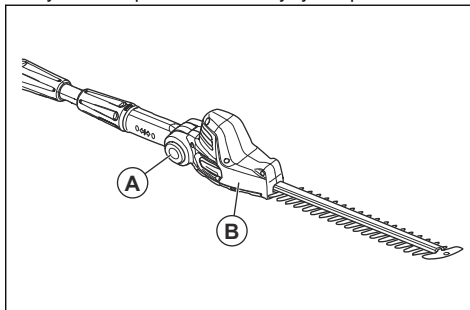


- Переконайтеся, що кінчик різальної обладнання не торкається землі.
- Будьте обережні й працюйте повільно, доки не зріжете всі гілки правильно.

## Регулювання кута різальної насадки

Різальну насадку можна встановити в сім різних позицій.

1. Зупиніть виріб та вийміть акумулятор.

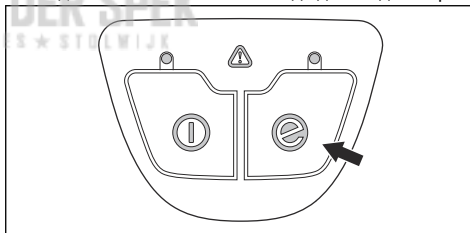


2. Міцно тримайте корпус (B).
3. Натисніть і втримуйте кнопки блокування (A) з обох боків корпусу (B).
4. Установіть різальну насадку під належним кутом.
5. Відпустіть кнопки блокування (A) з обох боків.
6. Посуньте корпус (B) угору й униз, щоб різальна насадка заблокувалася у відповідному положенні.

## Запуск функції SavE

Цей виріб оснащено функцією енергозбереження SavE. Функція SavE забезпечує найтривалішу роботу від акумулятора.

1. Натисніть кнопку SavE. Про активний стан функції свідчитиме ввімкнений світлодіодний індикатор.



2. Для вимкнення функції натисніть кнопку SavE ще раз.

## Функція автоматичного вимкнення

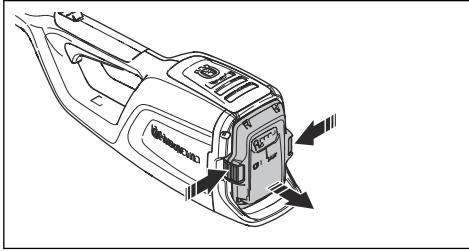
Інструмент підтримує функцію автоматичного вимкнення, яка зупиняє інструмент, якщо він не використовується. Зелений індикатор для ввімкнення / вимкнення вимикається, а виріб припиняє роботу через 60 секунд.

## Вимкнення виробу

1. Відпустіть механічний пусковий пристрій.
2. Натисніть кнопку запуску / зупинки та втримуйте її, доки не вимкнеться зелений світлодіодний індикатор.



3. Вийміть акумулятор із виробу. Натисніть дві кнопки фіксатора та витягніть акумулятор.



## ТЕХНІЧНЕ ОБСЛУГОВУВАННЯ

### Вступ



**ПОПЕРЕДЖЕННЯ:** Перед початком технічного обслуговування уважно прочитайте розділ про правила техніки безпеки.



**ПОПЕРЕДЖЕННЯ:** Перед початком технічного обслуговування виробу виймайте акумулятор.

### Графік технічного обслуговування

Нижче наведено перелік заходів технічного обслуговування, які слід виконувати.

Технічне обслуговування	Перед використанням	Щотижня	Щомісяця
Очистьте зовнішні деталі виробу.	X		
Переконайтеся в тому, що перемикач запуску / зупинення працює правильно й не пошкоджений.	X		
Переконайтеся в тому, що механічний пусковий пристрій і його фіксатор працюють правильно з точки зору безпеки.	X		
Переконайтеся, що всі елементи керування працюють і не пошкоджені.	X		
Перевірте лезо різця та його кожух на наявність тріщин і пошкоджень. Якщо на лезі різця чи кожусі ножа є тріщини або вони зазнавали ударів, замініть їх.	X		
Якщо лезо різця зігнуте або пошкоджене, замініть його.	X		
Переконайтеся в тому, що всі гвинти й гайки затягнуті.	X		
Перевірте акумулятор на відсутність пошкоджень.	X		
Переконайтеся, що акумулятор заряджений.	X		
Переконайтеся, що зарядний пристрій не пошкоджений.	X		
Переконайтеся в тому, що гвинти, якими леза різця прикріплені одне до одного, затягнуто належним чином.		X	
Перевірте з'єднання між акумулятором і виробом. Перевірте з'єднання між акумулятором і зарядним пристроєм.			X

## Перевірка акумулятора й зарядного пристрою

1. Перевірте акумулятор на наявність пошкоджень на кшталт тріщин.
2. Перевірте зарядний пристрій на наявність пошкоджень на кшталт тріщин.
3. Перевірте з'єднувальний шнур зарядного пристрою на предмет пошкоджень і тріщин.

## Чищення виробу, акумулятора й зарядного пристрою

1. Після використання протріть виріб сухою тканиною.
2. Протріть сухою тканиною акумулятор і зарядний пристрій. Тримайте напрямні рейки акумулятора в чистоті.
3. Перед встановленням акумулятора в зарядний пристрій чи виріб переконайтеся, що контакти акумулятора й зарядного пристрою чисті.

## Перевірка лез різця

1. Видаляйте небажані матеріали з леза різця антикорозійним засобом для чищення перед початком роботи й після роботи.
2. Перевірте кромки леза різця на відсутність пошкоджень і деформацій.
3. Для видалення задилок леза різця скористайтеся напилком.

4. Переконайтеся в тому, що леза різця вільно обертаються.

## Чищення й змащування лез

1. Очищуйте леза від зайвих предметів перед використанням виробу та після нього.
2. Змащуйте леза перед тривалим зберіганням.

**Зверніть увагу:** По додаткову інформацію щодо рекомендованих миючих засобів і мастил звертайтеся до свого сервісного дилера.

## Змащування редуктора

Змастіть демонтований корпус редуктора. Демонтаж має бути виконано в сертифікованому центрі обслуговування.

- Користуйтеся спеціальним мастилом Husqvarna. По додаткову інформацію щодо рекомендованих мастил звертайтеся до свого сервісного дилера.
- Для змащення слід використовувати лише спеціальне високоякісне мастило в невеликих кількостях.



**УВАГА:** Не заливайте корпус редуктора повністю.

KEEP VAN DER SPEK  
TUINMACHINES \* STOLWIJK

## Усунення несправностей

### Кнопкова панель

Світлодіодний екран	Можливі несправності	Можливі рішення
Блимає світлодіодний індикатор помилки.	Перевантаження	Різальна насадка не може рухатися вільно. Вивільніть шину пилки
Виріб не запускається.	Забруднені з'єднувачі акумулятора.	Прочистіть з'єднувачі акумулятора стисненим повітрям або м'якою щіткою.
Світлодіодний індикатор помилки світиться червоним світлом.	Необхідно виконати обслуговування виробу	Зверніться до свого дилера з обслуговування.

### Акумулятор

Світлодіодний дисплей	Можливі несправності	Рекомендовані дії
Блимає зелений світлодіод.	Недостатня напруга акумуляторної батареї.	Зарядіть акумулятор.

Світлодіодний дисплей	Можливі несправності	Рекомендовані дії
Блимає світлодіодний індикатор помилки.	Відхилення температури від норми.	Акумулятор дозволяється використовувати за температури від $-10\text{ }^{\circ}\text{C}$ ( $14\text{ }^{\circ}\text{F}$ ) до $40\text{ }^{\circ}\text{C}$ ( $104\text{ }^{\circ}\text{F}$ ).
	Занадто висока напруга.	Упевніться, що напруга в мережі відповідає значенню, зазначеному в паспортній таблиці інструмента. Вийміть акумулятор із зарядного пристрою.
Горить світлодіодний індикатор помилки.	Завелика різниця напруги між елементами акумуляторної батареї (1 В).	Зверніться до свого дилера з обслуговування.

## Зарядний пристрій

Несправність	Можливі несправності	Можливе рішення
Блимає червоний світлодіод помилки.	Відхилення температури від норми.	Зарядний пристрій дозволяється використовувати за температури від $5\text{ }^{\circ}\text{C}$ ( $41\text{ }^{\circ}\text{F}$ ) до $40\text{ }^{\circ}\text{C}$ ( $104\text{ }^{\circ}\text{F}$ ).
Вмикається червоний світлодіод помилки.	Завелика різниця напруги між елементами акумуляторної батареї (1 В).	Зверніться до свого дилера з обслуговування.

KEES VAN DER SPEK  
TUINMACHINES \* STOLWIJK

## Транспортування, зберігання й утилізація

### Транспортування та зберігання

- На літній-іонні акумулятори поширюються правила щодо небезпечного вантажу.
- У разі перевезення пасажирським або вантажним транспортом дотримуйтеся спеціальних вимог щодо упаковки й маркування (це правило також стосується третіх осіб і експедиторів).
- Перш ніж відправляти виріб, проконсультуйтеся з особою, що пройшла спеціальну підготовку щодо поводження з небезпечними матеріалами. Дотримуйтеся всіх застосованих національних норм і правил.
- Перед пакуванням акумулятора ізолюйте відкриті контакти. Зафіксуйте акумулятор в упаковці, щоб він не рухався.
- Готуючись до зберігання чи транспортування інструмента, завжди слід виймати акумулятор.
- Зберігайте акумулятор і зарядний пристрій у сухих приміщеннях, захищених від вологи й низьких температур.
- Заборонено зберігати акумулятор у місці, де можуть утворюватися статичні заряди. Не зберігайте акумулятор у металевій коробці.
- Зберігайте акумулятор за температури  $5\text{--}25\text{ }^{\circ}\text{C}$  ( $41\text{--}77\text{ }^{\circ}\text{F}$ ) у захищеному від прямих сонячних променів місці.
- Зберігайте зарядний пристрій за температури  $5\text{--}45\text{ }^{\circ}\text{C}$  ( $41\text{--}113\text{ }^{\circ}\text{F}$ ) у захищеному від прямих сонячних променів місці.
- Використовуйте зарядний пристрій лише за температури навколишнього середовища  $5\text{--}40\text{ }^{\circ}\text{C}$  ( $41\text{--}104\text{ }^{\circ}\text{F}$ ).
- Перед довготривалим зберіганням акумулятор необхідно зарядити на  $30\text{--}50\%$ .
- Зберігайте зарядний пристрій у сухому закритому приміщенні.
- Зберігайте акумулятор і зарядний пристрій окремо. Не дозволяйте дітям й іншим особам без належної підготовки торкатися обладнання. Зберігайте обладнання в приміщеннях, які можна закрити на замок.
- Перед тривалим зберіганням промийте виріб і проведіть повне технічне обслуговування.
- Під час транспортування й зберігання використовуйте чохол для транспортування, що допоможе захистити виріб від травм і пошкоджень.

- Під час транспортування надійно закріплюйте виріб.

відходами. Утилізацію необхідно проводити на підприємстві з переробки відходів електричного й електронного обладнання. Це допоможе запобігти шкоді навколишньому середовищу й людям.

Зверніться до місцевих органів влади, місцевої служби переробки відходів або дилера по додаткову інформацію про методи утилізації виробу.

## Утилізація акумулятора, зарядного пристрою й виробу

Символи на виробі або упаковці виробу вказують на те, що виріб не слід утилізувати разом із побутовими

## Технічні характеристики

### Технічні характеристики

	120ITK4-H
<b>Двигун</b>	
Тип двигуна	PMDC 36 В
<b>Маса</b>	
Вага без акумулятора, кг	4,6
Вага з акумулятором (за замовчуванням акумулятор BLi10), кг	5,3
<b>Випромінювання шуму<sup>85</sup></b>	
Рівень звукової потужності виміряний, дБ (А)	91,32
Гарантований рівень звукової потужності, $L_{WA}$ дБ(А)	94
<b>Рівні звуку<sup>86</sup></b>	
Рівень шумового тиску у вусі оператора, виміряний відповідно до стандартів EN 62841-1 і EN 62841-4-2, дБ(А)	81,3
<b>Рівні вібрації<sup>87</sup></b>	
Рівні вібрації ( $a_{нr}$ ), передня/задня ручка, $m/c^2$ . Див. EN 62841-1 й EN 62841-4-2.	1,223 / 0,816
<b>Різьбальне обладнання</b>	
Тип	Двосторонній
Довжина леза, мм	500
Швидкість лез, зрізи/хв, у режимі SavE	2250

<sup>85</sup> Випромінювання шуму в середовище, виміряне як звукова потужність ( $L_{WA}$ ), відповідає директиві ЄС 2000/14/ЄС. Різниця між гарантованим і вимірюваним рівнем звукової потужності полягає в тому, що гарантована звукова потужність включає також дисперсію результатів вимірювання й відмінності між різними виробами тієї самої моделі відповідно до Директиви 2000/14/ЄС.

<sup>86</sup> Типовий статистичний розкид для еквівалентних рівнів звукового тиску зазвичай являє собою відхилення в розмірі 3 дБ (А).

<sup>87</sup> Указані дані щодо рівня вібрації мають стандартну статистичну розбіжність (стандартне відхилення) у  $1,5 m/c^2$ .

Указане загальне значення рівня вібрації виміряно відповідно до стандартного методу випробувань і може використовуватися для порівняння одного інструмента з іншим.

Указане загальне значення рівня вібрації можна також використовувати для попередньої оцінки впливу вібрації на оператора.

	<b>120ТК4-Н</b>
Швидкість лез, зрізи/хв, без режиму SavE	2800

### Сертифіковані зарядні пристрої

<b>Зарядний пристрій</b>	<b>QC80</b>
Вхідна напруга, В	100–240
Частота, Гц	50–60
Потужність, Вт	100
Вихідна напруга, В пост./змін. струму	36/2

### Схвалені акумулятори для виробу

<b>Акумулятор</b>	<b>BLi10</b>
Тип	Літій-іонний
Ємність батареї, ампер-години	Див. паспортну табличку акумулятора
Номінальна напруга, В	36
Вага, кг	0,7

KEES VAN DER SPEK  
TUINMACHINES ★ STOLWIJK

---

## Декларація відповідності ЄС

---

### Декларація відповідності ЄС

Ми, компанія **Husqvarna AB**, SE-561 82, місто Хускварна, Швеція, телефон: +46-36-146500, заявляємо, що тримери для живої огорожі **Husqvarna 120ПТК4-Н** із серійними номерами, що датуються будь-яким роком починаючи з 2021 (рік чітко зазначено на паспортній табличці перед серійним номером), відповідають вимогам директиви ЄВРОПЕЙСЬКОЇ РАДИ:

- від 17 травня 2006 р. «Стосовно механічного обладнання» **2006/42/ЕС**.
- від 26 лютого 2014 р. «Про електромагнітну сумісність» **2014/30/EU**.
- від 8 червня 2011 р. «Про обмеження використання деяких небезпечних речовин» **2011/65/EU**.

Застосовано такі стандарти:

**EN 62841-1:2015, EN 62841-4-2:2019, EN 55014-1:2017+A11, EN 55014-2:2015, CISPR12:2007+A1 2009, EN IEC 63000:2018.**

TÜV Rheinland LGA Products GmbH, Tillystrasse 2, D-90431 Nuernberg, Germany, зробила типову перевірку від імені Husqvarna AB. Свідоцтво має номер: **AM 50491653 0001**.

Husqvarna 2020-12-30

**KEES VAN DER SPEK**  
TUINMACHINES \* STOLWIJK



Пер Мартінсон (Pär Martinsson), директор із питань розвитку (уповноважений представник компанії Husqvarna AB, що відповідає за технічну документацію).

## Nội dung

Giới thiệu.....	519	Khắc phục sự cố.....	531
An toàn.....	521	Vận chuyển, bảo quản và thải bỏ.....	532
Lắp ráp.....	527	Dữ liệu kỹ thuật.....	533
Vận hành.....	528	Tuyên bố tuân thủ tiêu chuẩn của Ủy ban châu Âu (EC).....	535
Bảo trì.....	530		

## Giới thiệu

### Mô tả sản phẩm

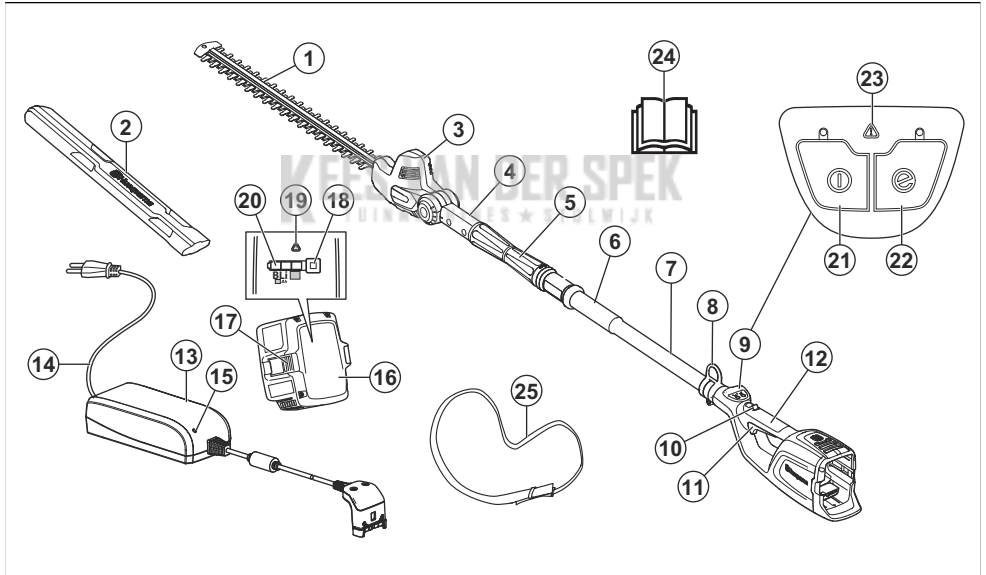
Husqvarna 120iTK4-H là máy xén hàng rào kiểu cọc lồng nhau chạy bằng pin.

Chúng tôi không ngừng tăng độ an toàn và hiệu suất của bạn trong khi vận hành. Trao đổi với đại lý bảo dưỡng để biết thêm thông tin.

### Mục đích sử dụng

Sử dụng sản phẩm để cắt cành và nhánh cây. Không sử dụng sản phẩm cho các nhiệm vụ khác.

### Tổng quan về sản phẩm



1. Lưỡi cắt
2. Bộ phận bảo vệ khi vận chuyển
3. Thân máy
4. Tay cầm tách vị trí
5. Chức năng co duỗi
6. Tay nắm trước
7. Trục
8. Móc đỡ dây
9. Bàn phím
10. Khóa nút kích hoạt máy
11. Nút kích hoạt máy
12. Tay nắm sau
13. Bộ sạc pin
14. Dây
15. Đèn LED bật nguồn/cảnh báo
16. Pin
17. Các nút nhà pin
18. Nút chỉ báo pin
19. Đèn LED cảnh báo
20. Đèn LED chỉ báo pin

21. Nút Khởi động/Dừng
22. Nút Save
23. Đèn LED cảnh báo
24. Sách hướng dẫn sử dụng
25. Dây đeo

## Các ký hiệu trên sản phẩm



**CẢNH BÁO!** Sản phẩm này nguy hiểm. Người vận hành hoặc người đứng gần có thể bị thương hoặc tử vong nếu sản phẩm không được sử dụng cẩn thận và chính xác. Để ngăn thương tích cho người vận hành hoặc người đứng gần, hãy đọc và tuân theo tất cả hướng dẫn an toàn trong sách hướng dẫn vận hành. Vui lòng đọc kỹ sách hướng dẫn vận hành và chắc chắn bạn đã hiểu rõ các chỉ dẫn trước khi sử dụng.



Đội mũ bảo hộ ở những vị trí có rủi ro vật thể rơi xuống bạn. Sử dụng thiết bị bảo vệ tai được phê duyệt. Sử dụng thiết bị bảo vệ mắt được phê duyệt.



Sử dụng găng tay bảo hộ được phê duyệt.



Sản phẩm tuân theo các Chỉ thị hiện hành của Ủy ban châu Âu (EC).

Điện áp định mức, V



Dòng điện một chiều.



Không được để tiếp xúc với mưa.



Giữ tay cách xa lưỡi.



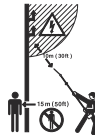
Chức năng co duỗi.



Chức năng tách.



Vận sang trái để nới nùm, sang phải để siết chặt nùm.



Sản phẩm này không có khả năng cách điện. Nếu sản phẩm tiếp xúc hoặc ở gần đường dây điện áp cao thì có thể dẫn đến tử vong hoặc trọng thương. Dòng điện có thể nhảy từ một điểm sang một điểm khác bằng phóng hồ quang. Điện áp càng cao, khoảng cách đồng điện đi chuyển càng xa. Dòng điện cũng có thể đi qua các nhánh cây và các vật thể khác, đặc biệt khi các vật này ướt. Luôn giữ khoảng cách tối thiểu 10 m giữa sản phẩm và đường dây điện áp cao và/hoặc tất cả vật thể chạm vào đường dây. Nếu bạn phải làm việc trong khoảng cách an toàn này, bạn phải luôn liên hệ với công ty điện lực liên quan để đảm bảo họ ngắt điện trước khi bạn bắt đầu công việc. Giữ khoảng cách tối thiểu 15 m cách người hoặc động vật trong khi vận hành.

yyyywwxxxx

Bảng thông số hiển thị số sê-ri. **yyyy** là năm sản xuất, **ww** là tuần sản xuất.

**Lưu ý:** Những ký hiệu/dễ-can khác trên sản phẩm cho biết các yêu cầu về chứng nhận đối với một số thị trường nhất định.

## Những ký hiệu trên pin và/hoặc trên bộ sạc pin



Hãy tái chế sản phẩm này tại khu tái chế dành cho thiết bị điện và điện tử. (Chỉ áp dụng ở châu Âu)



Bộ biến áp an toàn.



Chỉ sử dụng và bảo quan bộ sạc pin trong nhà.



Hai lớp cách điện.

## Trách nhiệm về sản phẩm

Theo luật trách nhiệm về sản phẩm, chúng tôi không chịu trách nhiệm pháp lý cho thiệt hại mà sản phẩm của chúng tôi gây ra nếu:

- sản phẩm được sửa chữa sai cách.



- sản phẩm được sửa chữa bằng các bộ phận không do nhà sản xuất cung cấp hoặc không được nhà sản xuất phê duyệt.
- sản phẩm có phụ kiện không do nhà sản xuất cung cấp hoặc không được nhà sản xuất phê duyệt.

- sản phẩm không được sửa chữa tại trung tâm bảo dưỡng được phê duyệt hoặc bởi cơ quan được phê duyệt.

## An toàn

### Định nghĩa an toàn

Cảnh báo, cẩn thận và lưu ý được sử dụng để báo hiệu các phần đặc biệt quan trọng của sách hướng dẫn.



**CẢNH BÁO:** Được sử dụng khi có nguy cơ xảy ra thương tích hoặc tử vong cho người vận hành hoặc người đứng xem nếu không tuân theo các chỉ dẫn trong sách hướng dẫn.



**CHÚ Ý:** Được sử dụng khi có nguy cơ làm hỏng sản phẩm, các vật liệu khác hoặc khu vực gần kề nếu không tuân theo các chỉ dẫn trong sách hướng dẫn.

**Lưu ý:** Được sử dụng để cung cấp thêm thông tin cần thiết trong tình huống cụ thể.

### Cảnh báo chung về an toàn của dụng cụ điện



**CẢNH BÁO:** Đọc toàn bộ cảnh báo an toàn và chỉ dẫn. Không tuân theo những cảnh báo và chỉ dẫn có thể gây điện giật, gây cháy và/hoặc trọng thương.

**Lưu ý:** Lưu lại tất cả những cảnh báo và chỉ dẫn để tham khảo sau này. Thuật ngữ "dụng cụ điện" trong cảnh báo nghĩa là các dụng cụ điện (có dây điện) hoạt động bằng nguồn điện hoặc các dụng cụ điện hoạt động bằng pin (không dây).

### An toàn tại nơi làm việc

- **Giữ nơi làm việc sạch sẽ và sáng sủa.** Những khu vực tối hoặc lộn xộn có thể phát sinh tai nạn.
- **Không vận hành dụng cụ điện ở môi trường phát nổ, chẳng hạn khi có chất dễ cháy, gas hoặc bụi.** Dụng cụ điện tạo ra tia lửa có thể đánh lửa bụi hoặc khí.
- **Trẻ em và người đứng xem phải đứng xa khi vận hành dụng cụ điện.** Sự xao nhãng có thể làm bạn mất kiểm soát.

### An toàn điện

- **Phích cắm dụng cụ điện phải phù hợp với ổ cắm.** Không bao giờ sửa đổi phích cắm theo bất kỳ cách nào. Không dùng bất kỳ phích cắm bộ điều hợp nào

với dụng cụ điện được nối đất (tiếp đất). Các phích cắm không được sửa đổi và ổ cắm phù hợp sẽ giảm nguy cơ bị điện giật.

- **Tránh tiếp xúc cơ thể với bề mặt nối đất hoặc tiếp đất, chẳng hạn ống dẫn, bộ tản nhiệt, bếp lò và tủ lạnh.** Nguy cơ bị điện giật tăng lên nếu cơ thể bạn chạm đất hoặc tiếp đất.
- **Không để các dụng cụ điện ngoài trời mưa hoặc trong tình trạng ẩm ướt.** Nước xâm nhập vào một dụng cụ điện sẽ làm tăng nguy cơ bị điện giật.
- **Không được lạm dụng dây điện.** Không bao giờ được dùng dây để đỡ, kéo hoặc tháo phích cắm dụng cụ điện. Để dây tránh xa nguồn nhiệt, dầu, cạnh sắc hoặc các bộ phận chuyển động. Dây điện bị hỏng hoặc bị rối sẽ làm tăng nguy cơ bị điện giật.
- **Khi vận hành dụng cụ điện ngoài trời, hãy sử dụng dây nối dài phù hợp để sử dụng ngoài trời.** Dùng dây điện phù hợp để dùng ngoài trời giúp giảm nguy cơ bị điện giật.
- **Nếu không thể tránh vận hành dụng cụ điện ở vị trí ẩm ướt, hãy dùng nguồn cấp được bảo vệ có thiết bị dòng điện dư (RCD).** Sử dụng RCD giúp giảm nguy cơ bị điện giật.

### An toàn cá nhân

- **Luôn tỉnh táo, theo dõi những gì bạn đang làm và sử dụng óc phán đoán khi vận hành một dụng cụ điện.** Không dùng dụng cụ điện khi bạn mệt hoặc đang dùng chất gây nghiện, rượu hoặc dược phẩm. Một chút lơ đãng trong khi vận hành dụng cụ điện có thể dẫn tới thương tích cá nhân.
- **Sử dụng trang thiết bị bảo hộ lao động.** Luôn đeo thiết bị bảo vệ mắt. Trang thiết bị bảo hộ như mặt nạ chống bụi, giày an toàn chống trượt, mũ cứng hoặc thiết bị bảo vệ thính giác được dùng cho các điều kiện phù hợp sẽ giúp giảm chấn thương.
- **Tránh khởi động ngoài ý muốn.** Đảm bảo công tắc ở vị trí OFF trước khi nối với nguồn điện và/hoặc bộ pin, khi cầm hoặc nâng dụng cụ. Nâng các dụng cụ điện với ngón tay đặt trên công tắc, hoặc cấp nguồn cho các dụng cụ điện với công tắc đang bật sẽ có thể gây ra tai nạn.
- **Tháo bỏ bất kỳ khóa điều chỉnh hoặc chia vận trước khi bật dụng cụ điện.** Không tháo chia vận hoặc khóa điều chỉnh khỏi các bộ phận quay của dụng cụ điện có thể gây thương tích cá nhân.
- **Không với quá xa.** Luôn giữ khoảng cách thích hợp và cân bằng. Điều này cho phép bạn kiểm soát dụng cụ điện tốt hơn trong những tình huống bất ngờ.
- **Mặc trang phục phù hợp.** Không mặc quần áo rộng hoặc đeo trang sức. Để tóc và quần áo tránh xa các

**bộ phận chuyển động.** Quần áo rộng, trang sức hoặc tóc dài có thể bị mắc vào các bộ phận chuyển động.

- **Bảo đảm bạn sử dụng đúng các thiết bị dùng để kết nối thiết bị hút bụi và hộp thu gom, nếu chúng được cấp.** Sử dụng hộp thu bụi có thể giảm những nguy hiểm liên quan tới bụi.
- **Không được tự mãn và bỏ qua nguyên tắc an toàn của dụng cụ vì nghĩ rằng bạn sử dụng sản phẩm thường xuyên và đã quen.** Thao tác thiếu cẩn trọng có thể gây thương tích nghiêm trọng chỉ trong tích tắc.
- Hiện tượng lan truyền rung động trong quá trình sử dụng dụng cụ điện thực tế có thể khác so với tổng giá trị được tuyên bố tùy vào cách sử dụng dụng cụ. Người vận hành nên xác định các biện pháp an toàn để bảo vệ chính họ dựa trên ước tính mức độ tiếp xúc trong điều kiện sử dụng thực tế (tính đến tất cả các bộ phận của chu kỳ vận hành chẳng hạn như những lần dùng cụ được tắt và khi dụng cụ chạy không tải ngoài những lần được kích hoạt).

## Sử dụng và bảo quản dụng cụ điện

- **Không tác động lực lên dụng cụ điện. Dùng dụng cụ điện phù hợp với ứng dụng của bạn.** Dụng cụ điện đúng giúp bạn làm việc tốt và an toàn hơn ở mức mà dụng cụ được thiết kế.
- **Không dùng dụng cụ điện nếu không thể tắt và bật công tắc.** Bất kỳ dụng cụ điện nào không thể điều khiển được bằng công tắc sẽ rất nguy hiểm và cần phải sửa chữa.
- **Rút phích cắm ra khỏi nguồn điện và/hoặc bộ pin ra khỏi dụng cụ điện trước khi điều chỉnh, thay phụ tùng hoặc lưu kho dụng cụ điện.** Những biện pháp an toàn phòng ngừa đó có thể giúp giảm nguy cơ khởi động dụng cụ điện đột ngột.
- **Bảo quản dụng cụ điện ở trạng thái không tải ngoài tầm với của trẻ em và không cho phép những người không quen với dụng cụ điện hoặc những hướng dẫn này vận hành dụng cụ điện.** Các dụng cụ điện rất nguy hiểm khi trong tầm tay của những người không được đào tạo.
- **Bảo trì các dụng cụ điện. Kiểm tra việc căn chỉnh sai hoặc bộ phận chuyển động bị kẹt, bộ phận vỡ và bất kỳ tình trạng nào khác có thể ảnh hưởng tới việc vận hành dụng cụ điện. Nếu bị hỏng, hãy sửa dụng cụ điện trước khi sử dụng.** Việc các dụng cụ điện không được bảo trì tốt là nguyên nhân của rất nhiều tai nạn.
- **Giữ các dụng cụ cất sạch và sắc.** Các dụng cụ cất được bảo dưỡng đúng cách với lưỡi cắt sắc thường ít bị mắc kẹt và dễ điều khiển hơn.
- **Tuân theo những hướng dẫn này khi dùng dụng cụ điện, phụ kiện và bit dụng cụ, v.v. đồng thời lưu ý tới điều kiện làm việc và công việc được thực hiện.** Việc sử dụng dụng cụ điện cho những hoạt động khác với hoạt động được chỉ định có thể gây ra tình huống nguy hiểm.
- **Giữ các tay nắm và bề mặt cầm nắm khô, sạch sẽ và không dính dầu và mỡ.** Không được phép để tay nắm trơn và bề mặt cầm nắm để xử lý và kiểm soát an toàn dụng cụ trong các tình huống bất ngờ.

## Sử dụng và bảo quản dụng cụ chạy bằng pin

- **Chỉ sạc lại bằng bộ sạc do nhà sản xuất quy định.** Bộ sạc thích hợp cho một loại bộ pin có thể tạo ra nguy cơ cháy khi được sử dụng với bộ pin khác.
- **Chỉ sử dụng các dụng cụ điện với các bộ pin được chỉ định.** Sử dụng bất kỳ bộ pin nào khác có thể tạo ra rủi ro bị thương và cháy.
- **Khi không sử dụng bộ pin, hãy giữ nó tách xa các vật bằng kim loại, chẳng hạn như kẹp giấy, đồng xu, chìa khóa, đinh, vít hoặc các vật bằng kim loại khác có thể tạo tiếp xúc từ cực này đến cực kia.** Rút ngắn các cực của pin có thể gây bỏng hoặc cháy.
- **Trong các điều kiện sử dụng quá mức, chất lỏng có thể bắn ra khỏi pin. Hãy tránh tiếp xúc với chất lỏng. Nếu vô tình tiếp xúc, hãy rửa sạch bằng nước. Nếu chất lỏng tiếp xúc với mắt, hãy tìm trợ giúp y tế.** Chất lỏng bắn ra từ pin có thể gây ngứa hoặc bỏng.
- **Không được sử dụng bộ pin hoặc dụng cụ bị hỏng hoặc bị sửa đổi.** Pin hỏng hoặc bị sửa đổi có thể có biểu hiện không đoán trước được dẫn đến cháy, nổ hoặc rủi ro bị thương.
- **Không được để bộ pin hoặc dụng cụ tiếp xúc với lửa hoặc nhiệt độ quá cao.** Tiếp xúc với lửa hoặc nhiệt độ cao hơn 130°C/265°F có thể gây nổ.
- **Làm theo tất cả chỉ dẫn sạc và không được sạc bộ pin hoặc dụng cụ ngoài phạm vi nhiệt độ được quy định trong chỉ dẫn.** Sạc sai cách hoặc ở nhiệt độ ngoài phạm vi được quy định có thể làm hỏng pin và tăng rủi ro bị cháy.

## Bảo dưỡng

- **Yêu cầu một thợ máy có trình độ bảo dưỡng dụng cụ điện của bạn, chỉ sử dụng các phụ tùng thay thế đồng nhất.** Điều này sẽ đảm bảo duy trì sự an toàn cho dụng cụ điện.
- **Không bao giờ bảo dưỡng bộ pin bị hỏng.** Chỉ nhà sản xuất hoặc nhà cung cấp dịch vụ được ủy quyền mới có thể thực hiện bảo dưỡng pin.

## Hướng dẫn an toàn cho máy xén hàng rào

- **Giữ tất cả các bộ phận cơ thể của bạn tránh xa lưỡi.** Không loại bỏ vật liệu đã cắt hoặc giữ vật liệu sẽ cắt khi lưỡi cắt đang di chuyển. Lưỡi cắt tiếp tục di chuyển sau khi đã tắt công tắc. Một chút lơ đãng trong khi vận hành máy xén hàng rào có thể dẫn tới trọng thương cho các cá nhân.
- **Cầm máy xén hàng rào bằng tay cầm khi lưỡi cắt dừng và cẩn thận không vận hành bất kỳ công tắc nguồn nào.** Việc vận chuyển máy xén hàng rào đúng cách sẽ làm giảm nguy cơ khởi động vô tình và gây thương tích cá nhân.
- **Luôn lắp nắp che lưỡi khi vận chuyển hoặc bảo quản máy xén hàng rào.** Việc xử lý đúng cách máy xén hàng rào sẽ làm giảm nguy cơ thương tích cá nhân do lưỡi cắt gây ra.
- **Khi dọn dẹp vật liệu bị kẹt hoặc bảo dưỡng thiết bị, đảm bảo tất cả các công tắc nguồn đều tắt và dây nguồn được ngắt kết nối.** Máy xén hàng rào bất ngờ kích hoạt trong khi dọn dẹp vật liệu bị kẹt hoặc bảo

dưỡng có thể dẫn đến thương tích cá nhân nghiêm trọng.

- **Chỉ cầm máy xén hàng rào bằng các bề mặt kẹp cách điện vì lưỡi có thể tiếp xúc với dây điện ẩn hoặc dây của chính nó.** Lưỡi tiếp xúc với dây điện "có điện" có thể khiến những phần kim loại của máy xén hàng rào "có điện" lộ ra và khiến người vận hành bị giật.
- **Không để tất cả dây điện và cáp điện gần khu vực cắt.** Dây điện hoặc cáp có thể nằm ẩn trong hàng rào hoặc ống lót và có thể vô tình bị cắt bằng lưỡi cắt.
- **Không sử dụng máy xén hàng rào trong điều kiện thời tiết xấu, đặc biệt khi có nguy cơ sét đánh.** Điều này giúp giảm rủi ro bị sét đánh.
- **Đề giảm nguy cơ bị giật, không bao giờ sử dụng máy xén hàng rào mở rộng gần đường dây điện.** Tiếp xúc với hoặc sử dụng gần đường dây điện có thể gây thương tích nghiêm trọng hoặc điện giật dẫn đến tử vong.
- **Luôn dùng hai tay khi vận hành máy xén hàng rào mở rộng.** Giữ máy xén hàng rào mở rộng bằng cả hai tay để tránh mất kiểm soát.
- **Luôn sử dụng thiết bị bảo vệ đầu khi vận hành máy xén hàng rào mở rộng trên cao.** Mảnh vụn bay có thể gây ra trọng thương cho cá nhân.

## Chỉ dẫn chung về an toàn



**CẢNH BÁO:** Đọc các chỉ dẫn cảnh báo sau đây trước khi bạn sử dụng sản phẩm.

- Tháo pin để ngăn sản phẩm vô tình khởi động.
- Sản phẩm này là dụng cụ nguy hiểm nếu bạn không cẩn thận hoặc sử dụng sản phẩm sai cách. Sản phẩm này có thể gây rủi ro trọng thương hoặc tử vong cho người vận hành hoặc người khác.
- Không được sử dụng sản phẩm nếu có thay đổi so với thông số ban đầu. Không được thay đổi bộ phận của sản phẩm mà không có phê duyệt từ nhà sản xuất. Chỉ sử dụng các bộ phận được nhà sản xuất phê duyệt. Bảo trì sai có thể dẫn đến thương tích hoặc tử vong.
- Kiểm tra sản phẩm trước khi sử dụng. Xem, *Các thiết bị an toàn trên sản phẩm trên trang 525 và Bảo trì trên trang 530.* Không sử dụng sản phẩm bị hỏng. Thực hiện các chỉ dẫn về kiểm tra an toàn, bảo trì và bảo dưỡng được mô tả trong sách hướng dẫn này.
- Phải giám sát trẻ để đảm bảo trẻ không nghịch sản phẩm. Không cho phép trẻ em hoặc những người khác không được đào tạo sử dụng sản phẩm và/hoặc pin sử dụng hoặc bảo dưỡng máy. Luật pháp địa phương có thể quy định độ tuổi của người dùng.
- Giữ sản phẩm trong khu vực có khóa để ngăn trẻ em hoặc người không có phận sự tiếp cận.
- Bảo quản sản phẩm xa tầm tay trẻ em.

- Trong mọi trường hợp, không được thay đổi thiết kế của sản phẩm trừ khi được nhà sản xuất cho phép. Luôn sử dụng phụ kiện nguyên bản. Mọi thay đổi và/hoặc sử dụng phụ kiện không được phép có thể gây trọng thương hoặc tử vong cho người sử dụng và những người khác.

**Lưu ý:** Luật quốc gia hoặc địa phương có thể quy định việc sử dụng. Tuân thủ các quy định đã có.

## Chỉ dẫn về an toàn khi vận hành



**CẢNH BÁO:** Đọc các chỉ dẫn cảnh báo sau đây trước khi bạn sử dụng sản phẩm.

- Nếu bạn gặp tình huống khi bạn không chắc chắn làm thế nào để tiếp tục công việc, bạn luôn luôn nên hỏi ý kiến của chuyên gia. Liên hệ với đại lý hoặc xưởng bảo trì của bạn. Tránh tất cả các tình huống mà bạn xem là vượt quá khả năng của mình.
- Không sử dụng sản phẩm nếu bạn đang mệt mỏi, say rượu hoặc đang sử dụng thuốc, được phẩm hoặc bất kỳ thứ gì có thể tác động đến thị lực, sự tỉnh táo, khả năng phối hợp hoặc phán đoán của bạn.
- Làm việc trong thời tiết xấu gây mệt mỏi và thường đi kèm rủi ro. Do rủi ro này, chúng tôi khuyên bạn không nên sử dụng máy trong điều kiện thời tiết rất xấu, ví dụ như sương mù dày đặc, mưa lớn, gió mạnh, cực lạnh hoặc có rủi ro sấm chớp, v.v.
- Thiết bị cắt bị hỏng có thể làm tăng rủi ro sự cố.
- Không được để trẻ em sử dụng hoặc đến gần sản phẩm. Vì sản phẩm dễ khởi động, trẻ có thể khởi động sản phẩm nếu không được giám sát chặt chẽ. Điều này đồng nghĩa với rủi ro bị trọng thương. Ngắt kết nối pin khi không thể giám sát sản phẩm.
- Đảm bảo không có ai hay loài vật nào đến gần hơn 15 mét khi bạn làm việc. Khi có nhiều người vận hành làm việc trong cùng một khu vực thì nên duy trì khoảng cách an toàn tối thiểu là 15 mét. Nếu không sẽ có rủi ro trọng thương. Ngừng sản phẩm ngay lập tức nếu có ai đến gần. Không bao giờ được vung sản phẩm vòng quanh mà không kiểm tra phía sau bạn trước để đảm bảo không có ai đứng trong vùng an toàn.
- Đảm bảo con người, động vật và các vật khác không ảnh hưởng đến khả năng kiểm soát sản phẩm của bạn hoặc họ không tiếp xúc với thiết bị cắt hay vật liệu rời mà thiết bị cắt bắn ra. Tuy nhiên, không sử dụng sản phẩm trong trường hợp bạn không thể gọi trợ giúp nếu xảy ra sự cố.
- Luôn kiểm tra khu vực làm việc. Loại bỏ mọi vật thể rời, chẳng hạn như đá, mảnh kính vỡ, đinh, dây thép, dây, v.v. có thể bị ném ra hoặc bọc xung quanh thiết bị cắt.
- Đảm bảo bạn có thể di chuyển và đứng an toàn. Kiểm tra khu vực xung quanh xem có vật chướng ngại nào không (rễ cây, đá, cành cây, mương, v.v.)

Khi bạn di chuyển bất ngờ. Phải rất cẩn thận khi làm việc trên nền đất dốc.

- Giữ thăng bằng tốt và đứng thật vững vào mọi lúc. Không với quá xa.
- Hủy kích hoạt sản phẩm trước khi bạn di chuyển đến khu vực khác. Lắp đầu bảo vệ vận chuyển khi không sử dụng sản phẩm.
- Không bao giờ hạ sản phẩm xuống trừ khi bạn đã hủy kích hoạt. Không được để sản phẩm không có người giám sát khi sản phẩm được bật.
- Tháo pin trước khi bạn chuyển sản phẩm cho người khác.
- Đảm bảo rằng không có quần áo hoặc các bộ phận của cơ thể tiếp xúc với thiết bị cắt khi sản phẩm được kích hoạt.
- Nếu bất kỳ vật gì kẹt trong thiết bị cắt trong khi bạn vận hành sản phẩm, hãy dừng và tắt sản phẩm. Đảm bảo thiết bị cắt dừng hẳn. Tháo pin trước khi vệ sinh, kiểm tra hoặc sửa chữa sản phẩm và/hoặc thiết bị cắt.
- Giữ tay và chân của bạn cách xa thiết bị cắt cho đến khi sản phẩm ngừng hẳn.
- Chú ý đến phần còn lại của nhánh cây có thể bắn ra khi bạn cắt. Không cắt sát mặt đất nơi đá và các vật thể khác có thể bị ném lên.
- Cẩn thận các vật thể bị ném. Luôn đeo thiết bị bảo vệ mắt được phê duyệt. Không được tựa vào đầu bảo vệ thiết bị cắt. Đá, rác, v.v. có thể văng vào mắt gây mù hoặc trọng thương.
- Lắng nghe tín hiệu cảnh báo hoặc tiếng la hét khi bạn đang đeo thiết bị bảo vệ thính giác. Luôn tháo thiết bị bảo vệ thính giác ngay khi sản phẩm ngừng.
- Không được làm việc khi đang đứng trên thang, ghế hoặc bất kỳ vị trí trên cao nào khác chưa được cố định hoàn toàn.
- Máy này khi hoạt động sẽ tạo ra một trường điện từ. Trường điện từ này ở một số tình huống có thể can thiệp chủ động hoặc thụ động vào các bộ phận cấy ghép y khoa. Để giảm rủi ro trọng thương hoặc tử vong, chúng tôi khuyến nghị những ai đang sử dụng các bộ phận cấy ghép y khoa hãy hỏi ý kiến bác sĩ và nhà sản xuất bộ phận cấy ghép y khoa trước khi sử dụng máy này.
- Luôn cầm sản phẩm bằng hai tay. Giữ sản phẩm ở bên phải cơ thể bạn.
- Luôn dừng sản phẩm, tháo pin và đảm bảo thiết bị cắt không quay trước khi bạn loại bỏ vật liệu bị quấn quanh trục lưỡi cắt hoặc bị kẹt giữa đầu bảo vệ và thiết bị cắt.
- Từ trường khi vận hành sản phẩm có thể làm nhiễu các bộ phận cấy ghép y khoa chủ động hoặc thụ động. Người có các bộ phận cấy ghép y khoa hãy trao đổi với bác sĩ và nhà sản xuất bộ phận cấy ghép y khoa trước khi vận hành sản phẩm này.
- Giữ trọng lượng của sản phẩm bằng bộ dây để dễ vận hành.
- Tiếp xúc với tiếng ồn trong thời gian dài có thể ảnh hưởng đến thính giác vĩnh viễn. Husqvarna khuyến

người vận hành nên sử dụng thiết bị bảo vệ thính giác được phê duyệt.

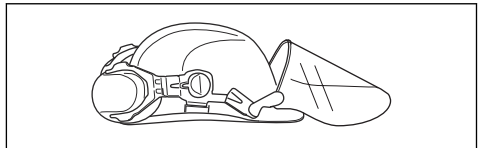
- Không bao giờ sử dụng sản phẩm đã bị điều chỉnh khác với thông số kỹ thuật ban đầu.
- Không bao giờ được sử dụng sản phẩm bị lỗi. Thực hiện việc kiểm tra an toàn, chỉ dẫn về bảo trì và sửa chữa được mô tả trong hướng dẫn vận hành này. Một số biện pháp bảo dưỡng và bảo trì phải do chuyên viên được đào tạo và có chuyên môn thực hiện. Xem chỉ dẫn dưới tiêu đề bảo trì.
- Thực hiện kiểm tra tổng thể sản phẩm trước khi sử dụng. Xem lịch bảo trì.
- Không cho phép bất kỳ ai sử dụng máy nếu họ chưa đọc và hiểu nội dung trong sách hướng dẫn vận hành.
- Kiểm tra khu vực làm việc xem có các vật lạ như cáp điện và động vật, v.v. hay các vật khác có thể làm hỏng thiết bị cắt, chẳng hạn như vật bằng kim loại.
- Lưỡi bị hỏng có thể làm tăng rủi ro sự cố.

## Trang thiết bị bảo hộ lao động

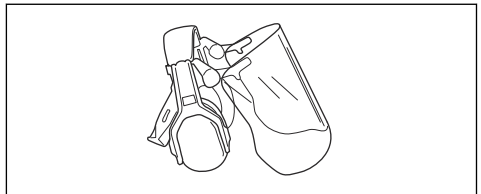


**CẢNH BÁO:** Đọc các chỉ dẫn cảnh báo sau đây trước khi bạn sử dụng sản phẩm.

- Luôn sử dụng trang thiết bị bảo hộ lao động được phê duyệt khi vận hành sản phẩm. Trang thiết bị bảo hộ lao động không thể ngăn chặn thương tích nhưng nó sẽ giảm thiểu mức độ thương tích khi xảy ra tai nạn. Để đại lý của bạn giúp bạn chọn đúng thiết bị.
- Sử dụng mũ bảo hộ khi có rủi ro vật rơi.

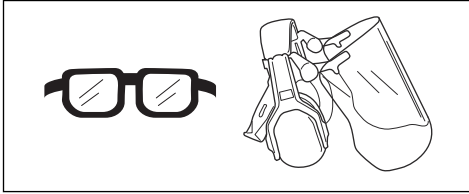


- Tiếp xúc lâu với tiếng ồn có thể dẫn tới suy yếu thính lực. Nói chung, các sản phẩm chạy bằng pin hoạt động tương đối im lặng nhưng có thể có tổn hại do kết hợp giữa mức ồn và sử dụng trong thời gian dài. Husqvarna khuyến người vận hành nên sử dụng thiết bị bảo vệ tai khi sử dụng sản phẩm trong thời gian dài, liên tục. Người dùng liên tục và thường xuyên nên kiểm tra thính lực thường xuyên.

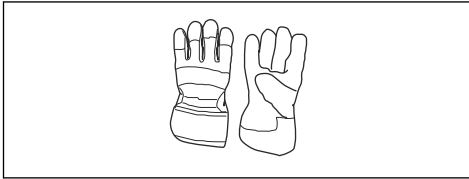


**CẢNH BÁO:** Thiết bị bảo vệ tai hạn chế khả năng nghe thấy âm thanh và tín hiệu cảnh báo.

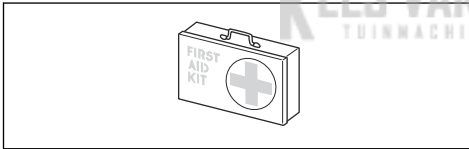
- Sử dụng thiết bị bảo vệ mắt được phê duyệt. Nếu bạn sử dụng tấm che, thì bạn cũng phải đeo kính bảo hộ được phê duyệt. Kính bảo hộ được phê duyệt phải tuân thủ tiêu chuẩn ANSI Z87.1 ở Hoa Kỳ hoặc EN 166 ở các nước châu Âu.



- Mang găng tay khi cần, ví dụ như khi bạn gắn, kiểm tra hoặc vệ sinh thiết bị cắt.



- Mặc quần áo làm từ vải bền chắc. Luôn mặc quần dài, nặng và áo dài tay. Không mặc quần áo rộng có thể vướng vào cành và nhánh cây. Không đeo trang sức, quần ngắn, xăng-đan hoặc đi chân không. Cột tóc cao hơn vai.
- Đề thiết bị bị cứa thương ở gần.



### Các thiết bị an toàn trên sản phẩm



**CẢNH BÁO:** Đọc các chỉ dẫn cảnh báo sau đây trước khi bạn sử dụng sản phẩm.

Trong phần tính năng an toàn của sản phẩm này, mục đích của thiết bị và cách kiểm tra, bảo trì nên được thực hiện để bảo đảm thiết bị vận hành chính xác. Xem chỉ dẫn dưới tiêu đề *Tổng quan về sản phẩm* trên trang 519 để biết các bộ phận này nằm ở đâu trên sản phẩm.

Tuổi thọ của sản phẩm có thể bị rút ngắn và rủi ro tai nạn gia tăng nếu không bảo trì sản phẩm chính xác và nếu bảo dưỡng và/hoặc sửa chữa thiếu chuyên nghiệp. Nếu bạn cần thêm thông tin, vui lòng liên hệ với đại lý bảo dưỡng ở gần bạn nhất.



**CẢNH BÁO:** Không bao giờ được sử dụng sản phẩm có các linh kiện an toàn bị hỏng. Thiết bị an toàn của sản phẩm phải được kiểm tra và bảo trì như mô tả trong phần này. Nếu sản phẩm không đạt tiêu

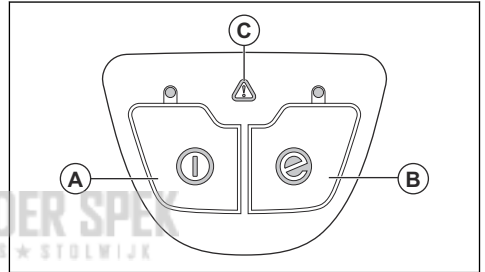
chuẩn của bất kỳ kiểm tra nào trong số những kiểm tra này, hãy liên hệ đại lý bảo trì của bạn để sửa chữa.



**CHÚ Ý:** Mọi việc bảo dưỡng và sửa chữa máy phải do người được đào tạo chuyên môn thực hiện. Điều này đặc biệt đúng với thiết bị an toàn của sản phẩm. Nếu máy của bạn không đạt bất kỳ kiểm tra nào được mô tả bên dưới, bạn phải liên hệ với đại lý bảo dưỡng của bạn. Khi bạn mua bất kỳ sản phẩm nào của chúng tôi, chúng tôi đảm bảo luôn có chuyên gia về sửa chữa và bảo dưỡng. Nếu đại lý bán lẻ bán máy cho bạn không phải là một trong những đại lý bảo dưỡng, hãy yêu cầu họ cung cấp địa chỉ của đại lý bảo dưỡng gần nhất.

### Cách kiểm tra bàn phím

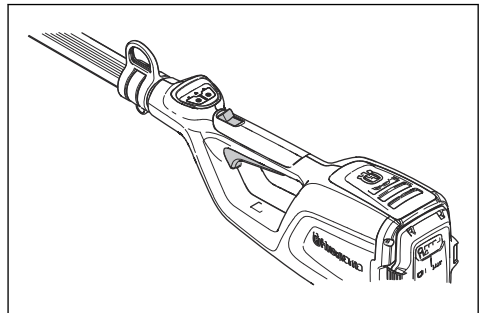
- Nhấn và giữ nút khởi động/dừng (A).



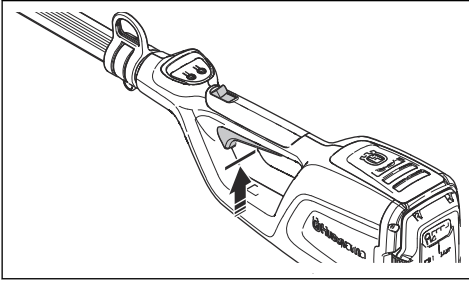
- Sản phẩm được bật khi đèn LED sáng.
  - Sản phẩm được tắt khi đèn LED tắt.
- Tham khảo *Cách khởi động chức năng SavEtrên trang 529* để biết chức năng của nút SavE (B).
  - Tham khảo *Khắc phục sự cố trên trang 531* nếu chỉ báo cảnh cáo (C) sáng hoặc nhấp nháy.

### Cách kiểm tra khóa nút kích hoạt máy

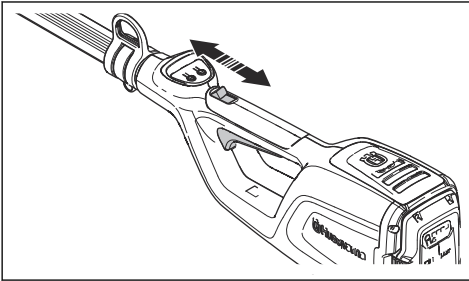
Khóa nút kích hoạt máy ngăn máy bất ngờ hoạt động. Khi bạn thả tay nắm, nút kích hoạt máy và khóa nút kích hoạt máy trở lại vị trí ban đầu.



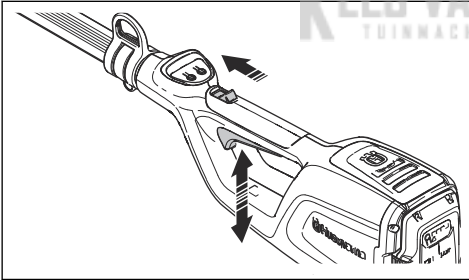
- Đảm bảo nút kích hoạt máy khóa khi khóa ở vị trí ban đầu.



- Kéo và nhả khóa và đảm bảo nó quay lại vị trí ban đầu.



- Đảm bảo nút kích hoạt máy và khóa di chuyển tự do và lò xo phản hồi hoạt động đúng.



- Khởi động sản phẩm, xem *Cách khởi động sản phẩm* trên trang 529.
- Áp dụng tốc độ dây đu.
- Nhả nút kích hoạt máy và đảm bảo thiết bị cất ngừng hẳn.

## An toàn pin



**CẢNH BÁO:** Đọc các chỉ dẫn cảnh báo sau đây trước khi bạn sử dụng sản phẩm.

- Pin được đề xuất là BLi10. Tham khảo *Dữ liệu kỹ thuật* trên trang 533. Pin được mã hóa phần mềm.
- Sử dụng pin sạc BLi10 như là nguồn cấp điện chỉ cho các sản phẩm Husqvarna liên quan. Để ngăn

thương tích, không được sử dụng pin như là nguồn cấp điện cho các thiết bị khác.

- Rủi ro điện giật. Không được nối các cực pin với chia khóa, đồng xu, vít hoặc vật bằng kim loại khác. Làm vậy có thể gây đoản mạch pin.
- Không được sử dụng pin không sạc.
- Không được đặt các vật thể vào các khe gió của pin.
- Giữ pin tránh xa ánh nắng mặt trời, nhiệt hoặc ngọn lửa trần. Pin có thể gây bỏng và/hoặc bỏng hóa chất.
- Giữ pin tránh xa mưa và điều kiện ẩm ướt.
- Giữ pin tránh xa lò vi sóng và nhiệt độ cao.
- Không được cố gắng tháo hoặc làm vỡ pin.
- Nếu pin rò rỉ, không được để chất lỏng chạm vào cơ thể hoặc mắt. Nếu bạn chạm phải chất lỏng, hãy vệ sinh khu vực đó với thật nhiều nước và xà phòng và tìm trợ giúp y tế ngay. Nếu chất lỏng bắn vào mắt, không được dụi mắt mà phải rửa bằng nước trong ít nhất 15 phút và tìm trợ giúp y tế.
- Sử dụng pin ở nhiệt độ từ  $-10^{\circ}\text{C}$  ( $14^{\circ}\text{F}$ ) đến  $40^{\circ}\text{C}$  ( $114^{\circ}\text{F}$ ).
- Không được vệ sinh pin hoặc bộ sạc pin bằng nước. Tham khảo *Cách vệ sinh sản phẩm, pin và bộ sạc pin* trên trang 531.
- Không sử dụng pin có kiểm khuyết hoặc bị hỏng.
- Bảo quản pin tránh xa các vật bằng kim loại chẳng hạn như đinh, vít hoặc trang sức.
- Giữ pin tránh xa trẻ em.

## An toàn bộ sạc pin



**CẢNH BÁO:** Đọc các chỉ dẫn cảnh báo sau đây trước khi bạn sử dụng sản phẩm.

- Rủi ro điện giật hoặc đoản mạch nếu không tuân thủ các chỉ dẫn về an toàn.
- Không được sử dụng các bộ sạc pin khác loại được cấp cùng sản phẩm của bạn. Bộ sạc pin được đề xuất là QC80 khi bạn sạc pin BLi10.
- Không cố gắng tháo bộ sạc pin.
- Không sử dụng bộ sạc pin có kiểm khuyết hoặc bị hỏng.
- Không nhắc bộ sạc pin bằng cách kéo dây điện lên. Để ngắt bộ sạc pin khỏi ổ cắm lưới điện, hãy rút phích cắm. Không được kéo dây điện.
- Đề tất cả cáp và cáp kéo dài tránh xa nước, dầu và các cạnh sắc. Đảm bảo cáp không bị kẹt vào các vật thể ví dụ như cửa, hàng rào hoặc vật tương tự.
- Không được sử dụng bộ sạc pin gần các vật liệu dễ bốc cháy hoặc các vật liệu có thể ăn mòn. Đảm bảo bộ sạc pin không bị che phủ. Rút phích cắm bộ sạc pin nếu có khói hoặc lửa.
- Chỉ sạc pin trong nhà, ở vị trí có luồng không khí tốt và tránh xa ánh nắng mặt trời. Không sạc pin ngoài trời. Không sạc pin trong điều kiện ẩm ướt.
- Chỉ sử dụng bộ sạc pin ở nơi có nhiệt độ từ  $5^{\circ}\text{C}$  ( $41^{\circ}\text{F}$ ) đến  $40^{\circ}\text{C}$  ( $104^{\circ}\text{F}$ ). Sử dụng bộ sạc trong môi

trường có luồng không khí tốt, khô ráo và không có bụi.

- Không được đặt các vật thể vào các khe làm mát của bộ sạc pin.
- Không được nối các cực của bộ sạc pin với các vật thể bằng kim loại vì điều này có thể làm đoản mạch bộ sạc pin.
- Sử dụng ổ cắm lưới điện được duyệt và không bị hỏng. Đảm bảo dây của bộ sạc pin không bị hỏng. Nếu sử dụng cáp kéo dài, đảm bảo cáp kéo dài không bị hỏng.

## Chỉ dẫn về an toàn khi bảo trì



**CẢNH BÁO:** Đọc các chỉ dẫn cảnh báo sau đây trước khi bạn bảo trì sản phẩm.

- Tháo pin trước khi bạn bảo trì, kiểm tra hoặc lắp ráp sản phẩm.
- Người vận hành chỉ được thực hiện công việc bảo trì và bảo dưỡng được trình bày trong sách hướng dẫn

vận hành này. Hãy đem sản phẩm đến đại lý bảo dưỡng để bảo trì và bảo dưỡng phần lớn hơn.

- Không được vệ sinh pin hoặc bộ sạc pin bằng nước. Chất tẩy mạnh có thể làm hỏng phần bằng nhựa.
- Nếu bạn không bảo trì, vòng đời sản phẩm sẽ giảm và rủi ro tai nạn tăng.
- Công việc bảo dưỡng và sửa chữa đòi hỏi đào tạo đặc biệt, nhất là về các thiết bị an toàn trên sản phẩm. Nếu tất cả hoạt động kiểm tra trong sách hướng dẫn vận hành này được duyệt sau khi bạn bảo trì, hãy tham vấn đại lý bảo dưỡng. Chúng tôi đảm bảo luôn có chuyên gia sửa chữa và bảo dưỡng cho sản phẩm của bạn.
- Giữ cho răng của lưỡi cắt được mài đúng. Tuân thủ các khuyến nghị của chúng tôi. Ngoài ra, hãy tham khảo chỉ dẫn trong gói lưỡi cắt.
- Chỉ sử dụng phụ tùng chính hãng.
- Luôn sử dụng găng tay chịu tải nặng khi sửa chữa thiết bị cắt. Lưỡi cắt rất bén và có thể dễ dàng gây thương tích.

## Lắp ráp

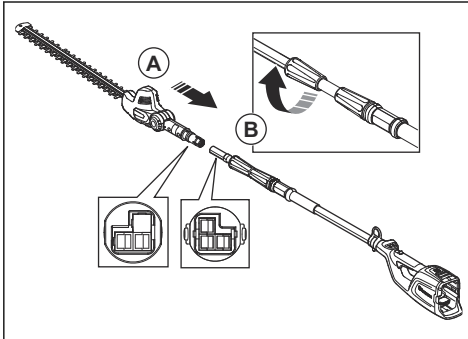
### Giới thiệu



**CẢNH BÁO:** Đọc và hiểu chương về an toàn trước khi bạn lắp ráp sản phẩm.

### Cách lắp trực

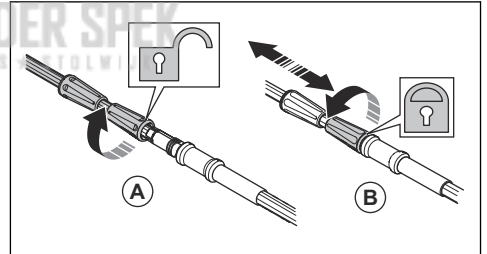
1. Đảm bảo phích cắm điện thẳng hàng.



2. Nối các đầu trực (A) hoàn toàn.
3. Siết chặt tay nắm vít trên đầu có máy xén hàng rào của trực (B).

### Cách điều chỉnh chiều dài trực

1. Nới lỏng các vít có nắm vận trên thân pin ở mặt bên trực (A).



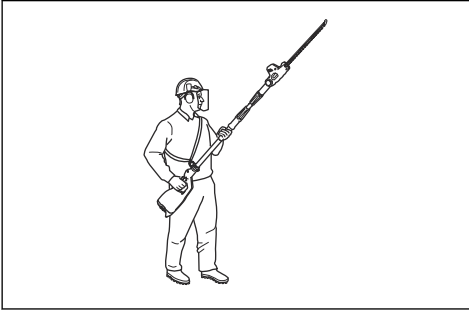
2. Điều chỉnh trực đến chiều dài áp dụng.
3. Siết chặt vít có nắm vận (B).

### Cách điều chỉnh dây đeo

Luôn sử dụng bộ dây khi bạn vận hành sản phẩm. Bộ dây cung cấp khả năng kiểm soát tối đa khi vận hành sản phẩm. Bộ dây giảm rủi ro mỗi cánh tay và lưng.

1. Đeo bộ dây lên.
2. Gắn sản phẩm vào móc đỡ dây.

- Điều chỉnh chiều dài của bộ dây đến khi móc đỡ gần ngang bằng hông phải của bạn.



## Vận hành

### Giới thiệu



**CẢNH BÁO:** Đọc và hiểu chương về an toàn trước khi bạn sử dụng sản phẩm.

### Việc cần làm trước khi khởi động sản phẩm

- Kiểm tra khu vực làm việc. Loại bỏ các vật thể có thể bị ném ra ngoài.
- Kiểm tra phụ tùng cắt. Đảm bảo lưỡi cắt sắc, không bị nứt và hư hỏng.
- Đảm bảo sản phẩm hoạt động đúng cách. Kiểm tra xem tất cả đai ốc và vít có được siết chặt không.
- Đảm bảo tay cầm và thiết bị an toàn không bị hư hỏng và lắp đúng cách. Không vận hành sản phẩm thiếu bộ phận hoặc có bộ phận bị thay đổi so với thông số kỹ thuật ban đầu. Sử dụng găng tay bảo hộ khi cần.
- Đảm bảo các nắp không bị hỏng và được gắn chính xác trước khi vận hành sản phẩm.

### Cách kết nối bộ sạc pin

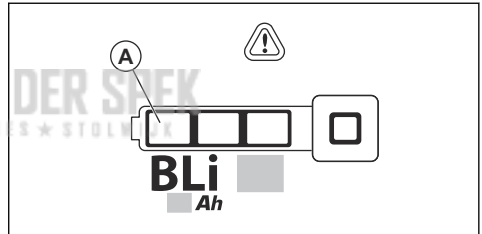
- Kết nối bộ sạc pin theo điện áp và tần số được quy định trên biển thông số.
- Cắm phích cắm vào ổ cắm điện được nối đất. Đèn LED trên bộ sạc pin sẽ nhấp nháy màu xanh lá một lần.

**Lưu ý:** Pin sẽ không sạc nếu nhiệt độ pin cao hơn 50°C/122°F. Nếu nhiệt độ cao hơn 50°C/122°F, bộ sạc pin sẽ làm mát pin trước khi sạc.

### Cách kết nối pin vào bộ sạc pin

**Lưu ý:** Sạc pin nếu đây là lần đầu bạn sử dụng. Pin mới chỉ có 30% mức pin.

- Đảm bảo pin khô ráo.
- Kết nối pin vào bộ sạc pin.
- Đảm bảo đèn sạc màu xanh lá trên bộ sạc pin sáng lên. Điều này nghĩa là pin được kết nối chính xác vào bộ sạc pin.
- Pin được sạc đầy khi tất cả đèn LED (A) trên pin sáng.



- Để ngắt bộ sạc pin khỏi ổ cắm lưới điện, hãy rút phích cắm. Không được kéo dây.
- Tháo pin khỏi bộ sạc pin.

**Lưu ý:** Tham khảo sách hướng dẫn của pin và bộ sạc pin để biết thêm thông tin.

### Cách kết nối pin với sản phẩm

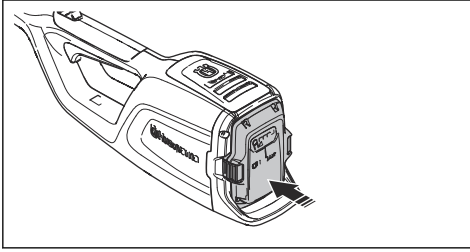


**CẢNH BÁO:** Chỉ sử dụng pin chính hãng Husqvarna trong sản phẩm.

- Đảm bảo pin được sạc đầy.



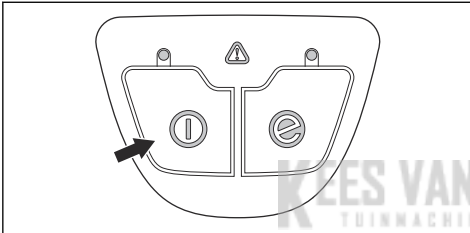
- Đặt pin vào ngăn đựng pin của sản phẩm. Pin phải trượt vào ngăn dễ dàng, nếu không, pin sẽ không được lắp chính xác.



- Ấn phần dưới của pin và đẩy pin hết cỡ vào trong ngăn đựng pin. Pin sẽ vào đúng vị trí khi bạn nghe tiếng "click".
- Đảm bảo các then vào đúng vị trí.

### Cách khởi động sản phẩm

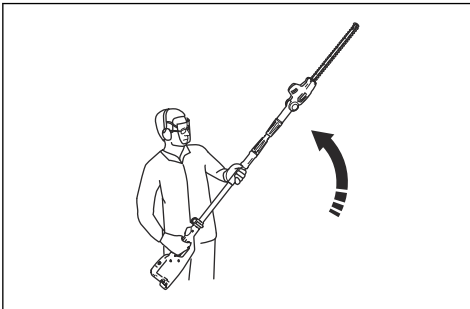
- Nhấn và giữ nút khởi động/dừng đến khi đèn LED màu xanh lá sáng lên.



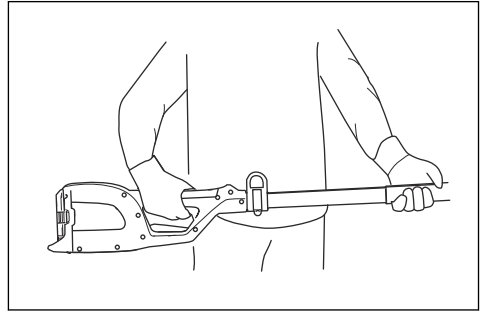
- Kéo khóa nút kích hoạt máy ra sau và giữ nút kích hoạt máy.

### Cách vận hành sản phẩm

- Bắt đầu ở gần mặt đất và di chuyển sản phẩm lên dọc theo hàng rào khi bạn cắt hai bên.



- Giữ sản phẩm gần cơ thể bạn để có vị trí làm việc ổn định.

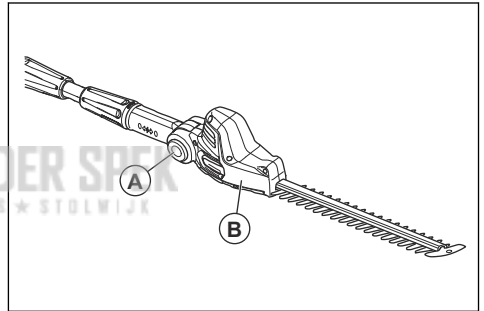


- Đảm bảo đầu của thiết bị cắt không chạm đất.
- Cẩn thận và cắt chậm cho đến khi tất cả các nhánh được cắt đúng.

### Cách điều chỉnh góc của phụ tùng cắt

Thiết bị cắt có thể được điều chỉnh ở 7 vị trí khác nhau.

- Dừng sản phẩm và tháo pin.

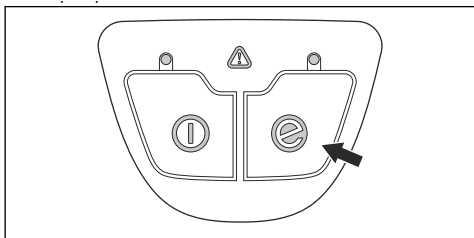


- Giữ chặt thân máy (B).
- Ấn và giữ các nút khóa (A) ở 2 bên thân máy (B).
- Di chuyển thiết bị cắt đến đúng góc.
- Nhả các nút khóa (A) ở 2 bên.
- Di chuyển thân máy (B) lên và xuống cho đến khi thiết bị cắt khóa vào vị trí.

### Cách khởi động chức năng Save

Sản phẩm có chức năng Save. Chức năng Save mang lại thời gian vận hành dài nhất của pin.

1. Ấn nút SavE. Đèn LED sáng lên cho biết chức năng được bật.



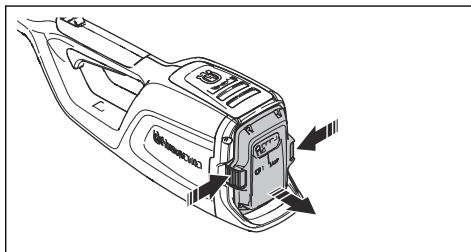
2. Nhấn nút SavE lần nữa để dừng chức năng SavE.

### Chức năng tự động tắt

Sản phẩm có chức năng tắt máy tự động sẽ dừng sản phẩm nếu bạn không sử dụng. Đèn LED màu xanh lá cây cho chỉ báo khởi động/dừng sẽ tắt và sản phẩm sẽ dừng sau 60 giây.

### Cách dừng sản phẩm

1. Nhả nút kích hoạt máy.
2. Nhấn và giữ nút khởi động/dừng đến khi đèn LED màu xanh lá tắt.
3. Tháo pin khỏi sản phẩm. Nhấn 2 nút nhỏ và lấy pin ra.



## Bảo trì

### Giới thiệu



**CẢNH BÁO:** Đọc và hiểu chương về an toàn trước khi bạn bảo trì sản phẩm.



**CẢNH BÁO:** Tháo pin trước khi bạn bảo trì sản phẩm.

### Lịch bảo trì

Sau đây là danh sách các bước bảo trì cần phải thực hiện trên sản phẩm.

Bảo trì	Trước khi sử dụng	Hàng tuần	Hàng tháng
Vệ sinh các bộ phận bên trong sản phẩm.	X		
Kiểm tra nút khởi động và dừng hoạt động đúng và không bị hỏng.	X		
Đảm bảo nút kích hoạt máy và khóa nút kích hoạt máy hoạt động chính xác từ quan điểm an toàn.	X		
Đảm bảo tất cả các nút điều khiển hoạt động và không bị hỏng.	X		
Đảm bảo lưỡi cắt và bộ phận bảo vệ lưỡi cắt không có vết nứt và chúng không bị hỏng. Thay lưỡi cắt hoặc bộ phận bảo vệ lưỡi cắt nếu chúng có vết nứt và chịu tác động.	X		
Thay thế lưỡi cắt nếu nó bị cong hoặc hỏng.	X		
Đảm bảo các vít và đai ốc được siết chặt.	X		
Đảm bảo pin không bị hỏng.	X		
Đảm bảo pin được sạc.	X		
Đảm bảo bộ sạc pin không bị hỏng.	X		
Đảm bảo các vít giữ lưỡi cắt vào với nhau được siết chặt đúng cách.		X	

Bảo trì	Trước khi sử dụng	Hàng tuần	Hàng tháng
Kiểm tra các kết nối giữa pin và sản phẩm. Kiểm tra các kết nối giữa pin và bộ sạc pin.			X

## Cách kiểm tra pin và bộ sạc pin

1. Kiểm tra hư hỏng trên pin, ví dụ vết nứt.
2. Kiểm tra hư hỏng trên bộ sạc pin, ví dụ vết nứt.
3. Đảm bảo dây nối của bộ sạc pin không bị hỏng và không có vết nứt.

## Cách vệ sinh sản phẩm, pin và bộ sạc pin

1. Vệ sinh sản phẩm bằng vải khô sau khi sử dụng.
2. Vệ sinh pin và bộ sạc pin bằng vải khô. Giữ rãnh dẫn pin sạch sẽ.
3. Đảm bảo các cực pin và bộ sạc pin sạch sẽ trước khi đặt pin vào bộ sạc pin hoặc sản phẩm.

## Cách kiểm tra lưỡi cắt

1. Loại bỏ các vật liệu không mong muốn khỏi lưỡi cắt bằng chất làm sạch chống ăn mòn trước và sau khi sử dụng sản phẩm.
2. Kiểm tra các cạnh của lưỡi cắt xem có bị hư hỏng và biến dạng không.
3. Sử dụng giữa để loại bỏ ba-via trên lưỡi cắt.
4. Đảm bảo lưỡi cắt di chuyển tự do.

## Cách vệ sinh và bôi trơn lưỡi

1. Loại bỏ vật liệu không mong muốn khỏi lưỡi cắt trước và sau khi sử dụng sản phẩm.
2. Bôi trơn lưỡi cắt trước khi bảo quản trong thời gian dài.

**Lưu ý:** Trao đổi với đại lý bảo dưỡng để biết thêm thông tin về chất tẩy rửa và chất bôi trơn được khuyến nghị.

## Cách bôi trơn bánh răng

Tra mỡ bôi trơn lên vỏ hộp số nếu bánh răng được tháo ra bởi đại lý bảo dưỡng được phê duyệt.

- Dùng mỡ bôi trơn đặc biệt Husqvarna. Trao đổi với đại lý bảo dưỡng để biết thêm thông tin về loại mỡ được đề xuất.
- Chỉ sử dụng một lượng nhỏ mỡ có chất lượng cao đặc biệt.



**CHÚ Ý:** Không đổ đầy thân hộp số.

## Khắc phục sự cố

### Bàn phím

Màn hình LED	Lỗi có thể	Giải pháp có thể thực hiện
Đèn LED nhấp nháy.	Quá tải	Thiết bị cắt không thể di chuyển tự do. Nhả phụ tùng cắt.
Sản phẩm không khởi động.	Bụi trên các đầu nối pin.	Vệ sinh các đầu nối pin bằng khí nén hoặc bằng chổi mềm.
Đèn LED báo lỗi sáng màu đỏ.	Cần bảo dưỡng sản phẩm.	Trao đổi với đại lý bảo dưỡng của bạn.

### Pin

Hiển thị đèn LED	Lỗi có thể	Hành động có thể thực hiện
Đèn LED màu xanh lá nhấp nháy.	Điện áp pin thấp.	Sạc pin.

Hiện thị đèn LED	Lỗi có thể	Hành động có thể thực hiện
Đèn LED lỗi nhấp nháy.	Sai lệch nhiệt độ.	Sử dụng pin ở nhiệt độ từ -10°C (14°F) đến 40°C (104°F).
	Quá nhiều điện áp.	Đảm bảo điện áp lưới điện phù hợp với điện áp trên bảng thông số của sản phẩm.
		Tháo pin khỏi bộ sạc pin.
Đèn LED lỗi đang bật.	Khác biệt pin quá lớn (1V).	Trao đổi với đại lý bảo dưỡng của bạn.

## Bộ sạc pin

Vấn đề	Lỗi có thể	Giải pháp có thể thực hiện
Đèn LED lỗi màu đỏ nhấp nháy.	Sai lệch nhiệt độ.	Sử dụng bộ sạc pin ở nhiệt độ từ 5°C (41°F) đến 40°C (104°F).
Đèn LED lỗi màu đỏ sáng.	Quá nhiều khác biệt pin (1V).	Trao đổi với đại lý bảo dưỡng của bạn.

## Vận chuyển, bảo quản và thải bỏ

### Vận chuyển và bảo quản

- Pin Li-ion được cấp tuân thủ các yêu cầu Pháp chế về hàng hóa nguy hiểm.
- Tuân thủ yêu cầu đặc biệt trên bao bì và nhãn cho vận chuyển thương mại, bao gồm các bên thứ ba và đại lý vận tải.
- Trao đổi với người được đào tạo đặc biệt về vật liệu nguy hiểm trước khi bạn gửi sản phẩm. Tuân thủ tất cả các quy định áp dụng của quốc gia.
- Sử dụng băng dính trên các tiếp xúc hở khi bạn đặt pin vào gói. Đặt pin vào gói thật kín để ngăn dịch chuyển.
- Tháo pin để bảo quản hoặc vận chuyển.
- Đặt pin và bộ sạc pin vào nơi khô ráo và không có hơi ẩm hoặc băng giá.
- Không bảo quản pin ở những vị trí có thể xảy ra điện tĩnh. Không được bảo quản pin trong hộp kim loại.
- Bảo quản pin ở nơi có nhiệt độ từ 5°C/41°F đến 25°C/77°F và tránh ánh nắng mặt trời trực tiếp.
- Bảo quản bộ sạc pin ở nơi có nhiệt độ từ 5°C/41°F đến 45°C/113°F và tránh ánh nắng mặt trời trực tiếp.
- Chỉ sử dụng bộ sạc pin ở nơi có nhiệt độ môi trường từ 5°C/41°F đến 40°C/104°F.

- Sạc pin từ 30% đến 50% trước khi bảo quản pin trong thời gian dài.
- Bảo quản bộ sạc pin ở nơi kín và khô ráo.
- Giữ pin tránh xa bộ sạc pin trong khi bảo quản. Không để trẻ em và người không được ủy quyền khác chạm vào thiết bị. Giữ thiết bị ở không gian bạn có thể khóa.
- Vệ sinh sản phẩm và bảo dưỡng đầy đủ trước khi bảo quản sản phẩm trong thời gian dài.
- Sử dụng bộ phận bảo vệ khi vận chuyển trên sản phẩm để ngăn thương tích hoặc tổn hại cho sản phẩm trong quá trình vận chuyển và bảo quản.
- Gắn sản phẩm an toàn trong khi vận chuyển.

### Thải bỏ pin, bộ sạc pin và sản phẩm

Các ký hiệu trên sản phẩm hoặc bao bì sản phẩm cho biết sản phẩm không phải là rác thải gia đình. Hãy tái chế sản phẩm tại khu tái chế dành cho thiết bị điện và điện tử. Điều này giúp ngăn tổn hại cho môi trường và con người.

Liên hệ với các cơ quan địa phương, dịch vụ rác thải gia đình hoặc đại lý để biết thêm thông tin về cách tái chế sản phẩm của bạn.

## Dữ liệu kỹ thuật

### Dữ liệu kỹ thuật

	<b>120ITK4-H</b>
<b>Động cơ</b>	
Loại động cơ	PMDC 36V
<b>Trọng lượng</b>	
Trọng lượng không có pin, kg	4,6
Trọng lượng có pin (pin mặc định BLi10), kg	5,3
<b>Tiếng ồn phát ra môi trường<sup>88</sup></b>	
Mức công suất âm thanh đo được dB(A)	91,32
Mức áp suất âm thanh, bảo đảm L <sub>WA</sub> dB (A)	94
<b>Mức âm thanh<sup>89</sup></b>	
Mức áp suất âm thanh ở tai của người vận hành, được đo theo EN 62841-1 và EN 62841-4-2, dB(A)	81,3
<b>Mức rung<sup>90</sup></b>	
Mức rung (a <sub>h</sub> ) ở tay nắm trước/sau, m/s <sup>2</sup> . Tham khảo EN 62841-1 và EN 62841-4-2.	1,223/0,816
<b>Thiết bị cắt</b>	
Loại	Hai mặt
Chiều dài lưỡi, mm	500
Tốc độ lưỡi cắt đường cắt/phút trong chế độ SavE	2250
Tốc độ lưỡi cắt đường cắt/phút không trong chế độ SavE	2800

### Bộ sạc pin được pin được phê duyệt

<b>Bộ sạc pin</b>	<b>QC80</b>
Điện áp đầu vào, V	100-240

<sup>88</sup> Tiếng ồn phát ra môi trường được đo bằng công suất âm (L<sub>WA</sub>) tuân thủ qui định 2000/14/EC của Ủy ban Châu Âu. Sự khác nhau giữa công suất âm được đảm bảo và đo được đó là công suất âm được đảm bảo cũng có độ lệch trong các kết quả đo và sự khác biệt giữa các sản phẩm cùng model tham khảo Chỉ thị 2000/14/EC.

<sup>89</sup> Độ phân tán thông thường theo thống kê của mức áp suất âm tương đương bằng 3 dB (A) độ lệch tiêu chuẩn.

<sup>90</sup> Dữ liệu được báo cáo về mức rung tương đương có độ phân tán thông thường theo thống kê (độ lệch tiêu chuẩn) là 1,5 m/s<sup>2</sup>.

Tổng giá trị rung đã báo cáo được đo theo phương pháp kiểm tra tiêu chuẩn và có thể được dùng để so sánh một dụng cụ với dụng cụ khác.

Tổng giá trị rung được báo cáo cũng có thể dùng trong đánh giá tiếp xúc sơ bộ.

<b>Bộ sạc pin</b>	<b>QC80</b>
Tần số, Hz	50-60
Công suất, W	100
Điện áp đầu ra, V DC/A	36/2

### Các loại pin được duyệt cho sản phẩm

<b>Pin</b>	<b>BLi10</b>
Loại	Lithium-ion
Dung lượng pin, Ah	Tham khảo nhãn định mức pin
Điện áp danh định, V	36
Trọng lượng, kg	0,7

**KEES VAN DER SPEK**  
TUINMACHINES ★ STOLWIJK

---

## Tuyên bố tuân thủ tiêu chuẩn của Ủy ban châu Âu (EC)

---

### Tuyên bố tuân thủ tiêu chuẩn của Ủy ban châu Âu (EC)

**Husqvarna AB**, SE-561 82 Huskvarna, Thụy Điển, ĐT: +46-36-146500, trong tinh thần hoàn toàn chịu trách nhiệm tuyên bố rằng máy xén hàng rào kiểu cọc **Husqvarna120iTK4-H** từ số sê-ri 2021 trở đi (năm được ghi rõ bằng chữ thường trên bảng thông số với số sê-ri theo sau) tuân thủ các yêu cầu trong CHỈ THỊ CỦA HỘI ĐỒNG:

- ngày 17 tháng 5 năm 2006 “về máy móc thiết bị” **2006/42/EC**.
- ngày 26 tháng 2 năm 2014 “về sự tương thích điện từ” **2014/30/EU**.
- ngày 8 tháng 6 năm 2011 về “hạn chế sử dụng một số chất nguy hiểm” **2011/65/EU**.

Áp dụng dựa trên các tiêu chuẩn sau:

**EN 62841-1:2015, EN 62841-4-2:2019, EN 55014-1:2017+A11, EN 55014-2:2015, CISPR12:2007+A1 2009, EN IEC 63000:2018.**

TÜV Rheinland LGA Products GmbH, Tillystrasse 2, D-90431 Nuernberg, Germany, đã thực hiện kiểm tra loại tự nguyện thay mặt cho Husqvarna AB. Chứng nhận có số: **AM 50491653 0001**.

Huskvarna 2020-12-30

**KEES VAN DER SPEK**  
TUINMACHINES \* STOLWIJK



Pär Martinsson, Giám đốc Phát triển (Đại diện được ủy quyền cho Husqvarna AB và chịu trách nhiệm về tài liệu kỹ thuật.)

## 内容

引言.....	536	故障排除.....	546
安全性.....	538	运输、存放和废弃处理.....	547
安装.....	543	技术参数.....	548
操作.....	543	欧盟一致性声明.....	550
维护.....	545		

## 引言

### 产品说明

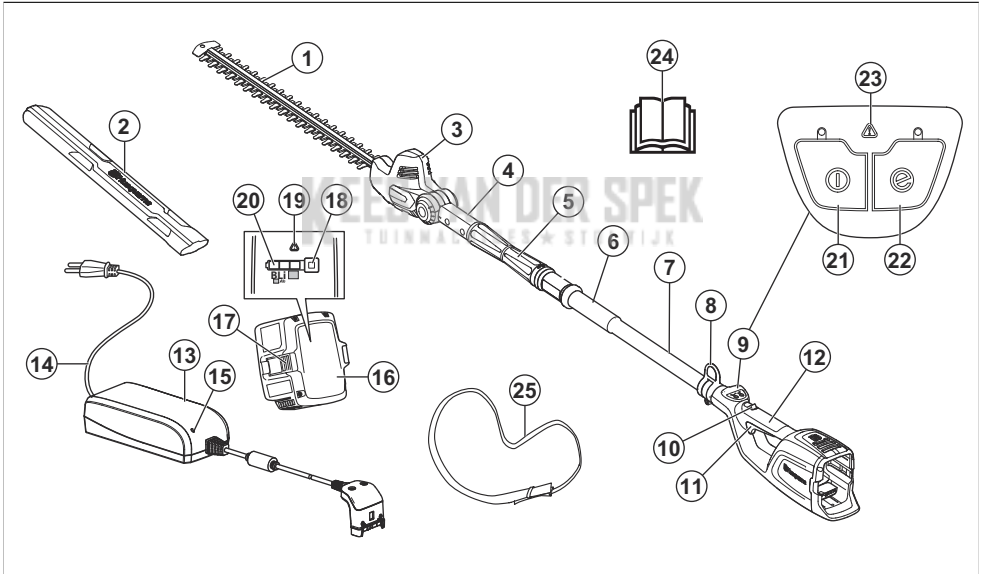
Husqvarna 120iTK4-H 是一款电池驱动的伸缩式高枝绿篱剪刀。

我们致力于提高您的工作安全性与效率。欲了解更多信息，请与您的保养代理商联系。

### 预期用途

本产品用于切割树枝和枝桠。切勿将产品用于其他任务。

### 产品概览



- |             |                   |
|-------------|-------------------|
| 1. 锯片       | 12. 后手柄           |
| 2. 运输护板     | 13. 电池充电器         |
| 3. 外壳       | 14. 电源线           |
| 4. 分离把手位置调整 | 15. 通电/警告 LED 指示灯 |
| 5. 伸缩功能     | 16. 电池            |
| 6. 前手柄      | 17. 电池释放按钮        |
| 7. 驱动轴      | 18. 电池指示灯按钮       |
| 8. 背带支撑钩    | 19. 警告指示灯         |
| 9. 键盘       | 20. 电池 LED 指示灯    |
| 10. 开关扳机锁   | 21. “启动/停止”按钮     |
| 11. 开关扳机    | 22. SavE 按钮       |



23. 警告指示灯

24. 说明书

25. 背带

## 本产品上的符号



警告！本产品非常危险。如果粗心大意地或不正确地使用本产品，可能会导致操作人员或旁观者受伤甚至死亡。为防止伤害操作人员或旁观者，请仔细阅读并遵守说明书中的所有安全须知。请仔细阅读说明书，确保在充分理解各项说明之后再使用本产品。



在可能被落物砸中的地方请使用保护头盔。请使用获得批准的听力保护装备。请使用获得批准的眼部保护装备。



请使用获得批准的保护手套。



本产品符合适用的 EC 指令。



额定电压，V



直流电。



不得暴露在雨水中。



使双手远离锯片。



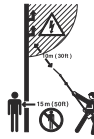
伸缩功能。



分离功能。



左转可松开旋钮，右转可拧紧旋钮。



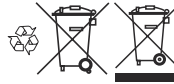
本产品不具有绝缘功能。如果产品触碰到或接近高压电线，会造成死亡或严重伤害。电流会通过电弧形式从一个位置跳到其它位置。电压越高，电流可能会跳得越远。电流还可能通过树枝或其它物体传播，尤其是潮湿的物体。产品与高压电线和/或所有触及电线的物体之间务必至少保持 10 米的距离。如果您必须在小于该安全距离的位置作业，请务必与相关的电力公司联系，确保在作业开始之前关闭电力。在作业过程中，必须与其他人员或动物至少保持 15 米的距离。

yyyywwxxxx

标牌显示了序列号。yyyy 是生产年份，ww 是生产周。

**注意：**有关本产品上的其他符号/标识，请参阅适用于某些市场的认证要求。

## 电池和/或电池充电器上的符号



请将本产品送往回收站以作为电气和电子设备回收利用。（仅适用于欧洲）



故障安全型变压器。



仅限在室内使用和存放电池充电器。



双重绝缘。

## 产品责任

如产品责任法律中所引用的，在以下情况下，我们对我们的产品所导致的损坏不承担责任：

- 未正确修理产品。
- 使用并非来自制造商或者未获得制造商批准的零部件修理产品。
- 产品具有并非来自制造商或者未获得制造商批准的附件。
- 未在获得批准的服务中心修理产品，或者并非由获得批准的机构修理产品。

# 安全性

## 安全定义

本手册使用了“警告”、“小心”和“注意”来指出特别重要的内容。



**警告：** 当不遵守手册中的说明可能会给操作员或周围人员带来伤害或死亡风险时，会使用此标志。



**小心：** 当不遵守手册中的说明可能会对产品、其他材料或附近区域造成损坏时，会使用此标志。

**注意：** 用于提供特定状况下所需的更多信息。

## 电动工具一般安全警告



**警告：** 请阅读所有安全警告和所有说明。如不遵循警告和说明，可能会导致电击、火灾和/或严重伤害。

**注意：** 保存所有警告和说明供以后参考。警告中的术语“电动工具”指的是电力驱动（有线）的电动工具或电池供电（无线）的电动工具。

## 工作区安全

- 保持工作区域干净明亮。混乱或黑暗的区域可能会导致事故。
- 请勿在诸如存在易燃液体、气体或粉尘等易爆炸的环境中操作电动工具。电动工具会生成火花，可能会点燃粉尘或气体。
- 操作电动工具时请远离儿童和旁观者。操作时分心将无法控制工具。

## 电气安全

- 电动工具的插头必须与电源插座匹配。切勿以任何方式改造插头。请勿将任何转接插头与接地的电动工具一起使用。未经改造的插头和匹配的电源插座将减少电击风险。
- 避免将身体与接地表面接触，如管道、散热器、炉具和冰箱。如果身体接地，则会增加遭受电击的风险。
- 请勿将电动工具暴露在雨水或潮湿环境下。电动工具中进水将会增加电击风险。
- 请勿滥用电线。切勿使用电线来携带、拖拉或断开电动工具。请将电线远离热、油脂、尖锐边缘或移动的部件。损坏或缠绕的电线会增加触电风险。
- 在室外操作电动工具时，请使用适用于室外用途的加长电缆。使用室外专用的电线会降低电击风险。
- 如果无法避免在潮湿的地点操作电动工具，请使用电流式漏电断路器 (RCD) 保护电源。使用 RCD 可降低电击风险。

## 人身安全

- 操作电动工具时，保持警觉并密切注意正在执行的操作并根据常识做出合理判断。请勿在疲倦或服用药剂、酒精或药物后使用电动工具。操作电动工具时的一时疏忽可能会导致严重的人身伤害。
- 使用个人防护装备。始终佩戴眼部保护装备。适用于相应条件的防尘面罩、防滑安全鞋、安全帽、听觉保护设备等保护装备可减少人身伤害。
- 防止本机意外启动。连接电源和/或电池组以及提起或携带工具之前，确保开关处于关闭位置。携带电动工具时将手指放在开关上或为已打开开关的电动工具加电会引发事故。
- 打开电动工具开关前，请取下任何调整扳手。保持扳手与电动工具的旋转部件相连接可能会导致人身伤害。
- 请勿伸得过远。请始终维持适当的位置和平衡。这样在出现意外时可以更好地控制电动工具。
- 穿戴合适的服装。请勿穿宽松的服装或佩戴珠宝。保持头发和衣服远离移动部件。宽松的服装、珠宝或长发可能会绞入移动部件中。
- 如果提供了用于连接吸尘和集尘装置的设备，请确保正确连接和使用这些设备。使用集尘装置可减少因灰尘引起的相关危险。
- 在频繁使用工具而熟悉工具后，不要掉以轻心并忽视工具的安全原则。任何疏忽大意都随时可能造成严重的伤害。
- 实际使用电动工具时产生的振动可能与标称总值有所差异，具体取决于工具的使用方式。操作员应该在实际情况下根据振动接触估测值选择合适的安全防护措施（考虑工作循环的各个环节，比如除了扳机，还考虑关闭工具时和怠速运行工具时的防护）。

## 电动工具的使用和养护

- 请勿强行操作电动工具。请针对具体用途使用正确的电动工具。使用正确的电动工具可更好更安全地按照设计用途完成工作。
- 请勿使用通过开关无法打开和关闭的电动工具。无法使用开关进行控制的任何电动工具都是危险的，必须进行维修。
- 在对电动工具进行任何调整、附件更改或存放前，请将电动工具的插头从电源和/或电池组上断开。此类预防性安全措施可降低不小心启动电动工具的风险。
- 请将闲置的电动工具存放在远离儿童的位置，不得允许不熟悉电动工具或这些说明的人操作电动工具。未经培训的用户使用电动工具将非常危险。
- 维护电动工具。检查是否存在未对齐或移动部件纠缠、零件破损以及任何其他可能会影响电动工具操作的情况。如果工具已损坏，请在使用前维修电动工具。许多事故都是因电动工具未得到正确维护造成的。
- 保持切割工具锋利洁净。使用具有锋利切割边缘且经过适当维修的切割工具，较少出现纠结的情况且更易于控制。

- 请按照这些说明使用电动工具、附件和刀头等，同时考虑工作环境以及要执行的作业。如果电动工具用于非设计用途会导致危险。
- 保持手柄和握紧面干燥、清洁且未沾染油脂。手柄和握紧面不可打滑，以确保在意外情况下能安全地搬运和控制工具。

## 电池动力工具的使用和养护

- 只能使用制造商指定的充电器为电池充电。一种类型电池组专用的充电器如果为其他类型电池组充电，可能产生失火危险。
- 电动工具只能使用专门指定的电池组。使用任何其他类型的电池组可能产生伤害和失火风险。
- 电池组不用时，使其远离其他金属物体，例如回形针、硬币、钥匙、钉子、螺钉或其他金属小物品，以免接通电池端子。电池端子短接到一起可能会引起灼伤或火灾。
- 电池在滥用情况下可能喷出液体，避免接触这些液体。如果意外接触，用水冲净。如果液体接触眼睛，还应及时就医。电池喷出的液体可能产生刺激或灼伤。
- 切勿使用损坏或改装的电池组或工具。损坏或经过改造的电池可能会出现意外情况，导致火灾、爆炸或受伤风险。
- 切勿将电池组或工具暴露在火中或温度过高的环境中。电池暴露在火中或超过 130 °C / 265 °F 的温度中可能发生爆炸。
- 请遵守所有的充电说明，切勿在说明中指定的温度范围之外为电池组或工具充电。充电不正确或在指定温度范围外充电可能会损坏电池，并增大失火风险。

## 保养

- 保养电动工具时，请联系具备相应资质的维修人员并仅使用相同的更换零件。这将确保电动工具的安全。
- 切勿维修损坏的电池组。电池组的维修只能由制造商或授权的服务提供商执行。

## 绿篱剪安全须知

- 使身体各部位远离锯片。不要在锯片运动时清除切割的枝叶或握住要切割的枝叶。在关闭开关后，锯片会继续移动。操作绿篱剪时，任何一时的疏忽都可能导致严重的人身伤害。
- 在锯片停止时使用手柄携带绿篱剪，注意不要操作任何电源开关。正确携带绿篱剪会降低意外启动和锯片造成人身伤害的风险。
- 在运输或存放绿篱剪时，务必安装锯片罩。合理地搬运绿篱剪可减少锯片可能导致的人身伤害。
- 在清除卡住的材料或检修装置时，确保所有电源开关均已关闭且电源线已断开。在清除卡住的材料或进行维修时，绿篱剪意外启动可能会导致严重的人身伤害。
- 只能通过绝缘握紧面握住绿篱剪，因为锯片可能会接触隐藏的电缆或自身的电源线。锯片接触带电电线可能会使绿篱剪裸露的金属部分带电，导致操作员遭受电击。
- 确保所有电源线和电缆远离切割区。在操作过程中，电源线和电缆可能会隐藏在树篱或灌木中，并被锯片意外切割。
- 切勿在不良的天气状况下使用绿篱剪，尤其是在有闪电危险的情况下。这可降低受雷电袭击的风险。

- 为了降低触电死亡的风险，切勿在任何电缆附近使用本伸缩型绿篱剪。触碰电线或者在其附近使用本产品可能会导致严重伤害或触电致死。
- 务必使用双手操作伸缩型绿篱剪。用双手抓住伸缩型绿篱剪，避免失控。
- 在头顶上方操作伸缩型绿篱剪时，务必佩戴头盔。掉落的碎屑可能会导致严重的人身伤害。

## 一般安全须知



**警告：** 请在使用本产品前阅读下面的警告说明。

- 取下电池，以防本产品意外启动。
- 如果粗心大意或使用不当，本产品可能会成为危险的工具。这可能会对操作员或其他人造成严重伤害或死亡。
- 如果产品改装偏离了原始规格，那么切勿使用它。未获得制造商的批准，切勿改装产品的某一部分。仅使用获得制造商批准的零件。不正确维护可能导致伤害或死亡。
- 使用前，请先对本产品进行检查。请参阅 *产品上的安全装置在第 541 页上和 维护在第 545 页上*。切勿使用有故障的产品。按照本手册中的说明进行安全检查、维修和保养。
- 应谨慎看护儿童，确保他们不会玩耍本产品。切勿让儿童或其他未受过使用培训的人员使用或维修本产品或/或电池。当地法律可能会限制使用者的年龄。
- 将产品放在上锁的区域，以防止儿童或他人擅自触碰。
- 将本产品存放在儿童触不到的位置。
- 任何情况下，未经制造厂的许可，不得修改本产品的设计。必须使用原厂零件。未经许可擅自修改和/或使用未经认可的附件，可能会对操作员和他人造成严重伤害或死亡。

**注意：** 本产品的使用可能会受到国家或地方法规的管制。请遵守指定的法规。

## 操作安全须知



**警告：** 请在使用本产品前阅读下面的警告说明。

- 当您遇到任何情况，不知如何继续时，请咨询专家。与您的经销商或保养厂联系。避免任何超出您能力范围的使用。
- 如果感到疲倦、服用了酒精、毒品、药物或任何可能影响视力、警惕性、协调能力或判断力的东西，切勿使用本产品。
- 在恶劣天气下工作容易让人疲倦，往往会带来额外风险。由于会增加风险，不建议在浓雾、大雨、强风、严寒、雷电等极其恶劣的天气下使用本机器。
- 切割刀片发生故障，可能增加发生意外的风险。
- 切勿允许儿童使用或靠近本产品。由于产品容易启动，儿童如果失于看管，可能会启动机器。这就有可能

能造成严重的人员伤亡。产品在没有严格看护的情况下应断开电池。

- 进行作业时，确保 15 m 之内没有人员或动物靠近。多名操作者在同一区域作业时，至少保持 15 m 安全距离。否则有可能造成严重的人身伤害。如有人靠近，立即关停产品。摆动产品之前务必先查看身后，确保安全区内无人。
- 确保人员、动物或其他物品不会影响您操控本产品，或者确保其不会接触切割锯片或被切割锯片抛出的松散物体。但是，如果发生事故时无法求救，请勿使用本产品。
- 务必检查工作区域。移除所有可能被抛出或缠绕切割刀片的松散物体，如石块、碎玻璃、钉子、钢丝、线缆等。
- 确保您可以安全地移动与站立。检查您的周围区域是否存在障碍物（树根、岩石、树枝、沟渠等），以免您需要突然移动。在倾斜地面上工作时，要特别小心。
- 请随时保持平衡并找到牢固的立足处。请勿伸得远远。
- 停用本产品后再移至其他区域。当产品未使用时，请连接运输护板。
- 切勿放下本产品，除非您已将其停用。切勿在本产品开启时使其处于无人看管状态。
- 取出电池后再将本产品转交给他人。
- 在本产品启动时，确保衣服或身体各部位没有接触切割刀片。
- 如果在操作本产品时有任何东西卡在切割刀片上，请停止操作并停用本产品。确保切割刀片完全停止转动。取出电池后再清洁、检查或维修本产品 and/或切割设备。
- 在本产品停用时间，保持手脚远离切割锯片，直至其完全停止转动。
- 在切割时，请注意树枝条可能会飞出。请勿靠近地面进行切割，在这种情况下，本产品可能会将石块和其他物体弹出。
- 注意抛掷物。始终佩戴经检验合格的眼部保护设备。切勿将切割刀片防护罩倾斜。石头、垃圾等会抛入眼中，导致失明或严重伤害。
- 戴有听觉保护设备时，请留意警告信号或呼喊声。一旦产品停止运行，便取下听觉保护设备。
- 切勿在梯子、凳子或其他没有完全固定的高处位置进行作业。
- 本机在操作期间会产生电磁场。电磁场在某些情况下会干扰有源或无源医疗植入体。为了减少严重或致命性伤害风险，我们建议使用医疗植入体的人员在操作本机之前先咨询其医生及医疗植入体制造商。
- 务必用双手握住本产品。将产品保持在身体右侧。
- 在清除缠绕在刀片轴上或卡在防护罩和切割刀片之间的材料之前，务必先关闭本产品、取出电池并确保切割设备不转动。
- 操作期间的电磁场会干扰有源或无源医疗植入体。带有医疗植入体的人员应先咨询医生和医疗植入体制造商，然后才能操作本产品。
- 用背带支撑住产品的重量，使其易于操作。
- 长期接触噪音可能会导致永久性听力损伤。Husqvarna 建议操作员使用获得批准的听觉保护设备。

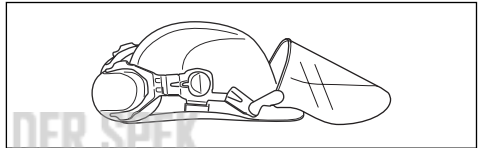
- 切勿使用曾对原规格进行任何改动的本产品。
- 禁止使用有故障的产品。按照本手册中的说明进行安全检查、维修和保养。部分维修和保养措施必须由受过培训并有相应资质的专家进行。请参阅《维护》一节中的说明。
- 使用前应对本产品进行全面检查。请参阅维护时间表。
- 在事先未确定其他人是否阅读和了解了本操作手册的内容之前，禁止其使用本机。
- 检查工作区域内是否有其他物体，例如电缆和动物等，或其他可能损害切割锯片的物体，例如金属物品。
- 有缺陷的锯片会增加发生事故的风险。

## 个人防护装备

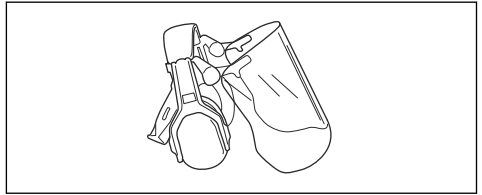


**警告：** 请在使用本产品前阅读下面的警告说明。

- 操作产品时务必使用获得批准的个人防护装备。个人防护装备不能完全避免受伤，但当意外发生时，可降低伤害程度。请经销商协助您选择正确的防护装备。
- 在有物体掉落风险的地方，请佩戴保护头盔。



- 长期接触噪音会导致听力损伤。通常，电池供电产品的噪音相对比较小，但低噪音水平结合长时间使用则可能会导致听力损伤。Husqvarna 如果操作员在一天中需要长时间连续使用产品，建议佩戴听觉保护设备。对于频繁及定期使用产品的用户，应定期检查听力。

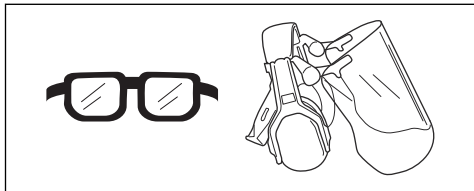


**警告：** 听觉保护设备会使用户聆听声音和警告信号的能力受限。

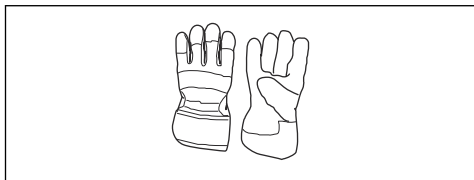
- 请使用获得批准的眼部保护装备。如果佩戴面罩，必须同时佩戴获得批准的护目镜。在美国，经批准的护

目镜必须符合 ANSI Z87.1 标准；在欧盟国家/地区，必须符合 EN 166 标准。

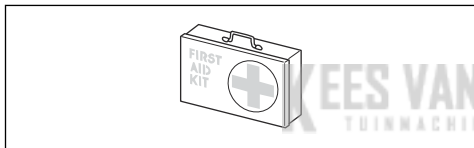
售商不是保养商，应向他咨询离您最近的保养厂的地址。



- 必要时戴上手套，例如在安装、检查或清洁切割设备时。



- 穿着高强度纤维制成的衣物。务必穿着结实的长裤和长袖衣服。切勿穿着容易钩住小树枝和分枝的衣物。切勿佩戴珠宝、穿着短裤、凉鞋或光脚。确保头发安全地挽在肩部以上。
- 确保急救箱触手可及。



## 产品上的安全装置



**警告：** 请在使用该产品前阅读下面的警告说明。

本节介绍产品的安全功能及其用途，并说明如何进行检查和维护，以确保产品正常运转。有关这些零件在产品上的位置，请参阅 *产品概览* 在第 536 页上一节的说明。

如果产品维护不当或由非专业人士进行保养和/或维修，产品的使用寿命会缩短，发生意外的风险会增加。欲知更多详情请联系距您最近的保养代理商。



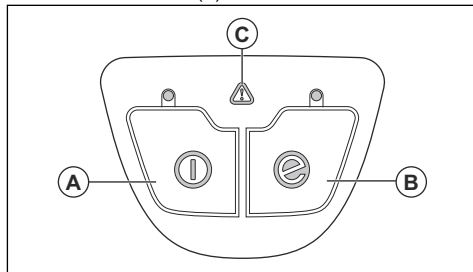
**警告：** 不得使用安全组件存在缺陷的产品。产品的安全装备必须按照本节说明进行检查和维护。如果您的产品未通过这些检查中的任何一项，请联系您的保养厂对其进行维修。



**小心：** 本机的保养和维修必须经过专门培训。对于本机的安全设备来说尤其如此。如果在检修过程中出现下述的故障，应与保养厂联络。如果您购买我们的产品，我们承诺提供专业的修理和保养。如果出售本机的零

## 检查键盘情况

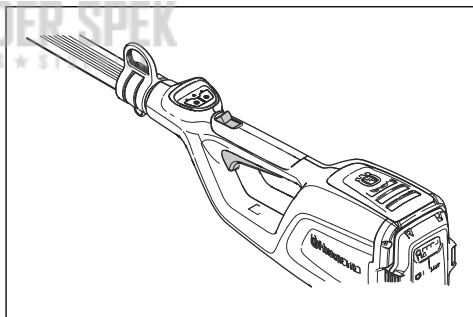
1. 按住启动/停止按钮 (A)。



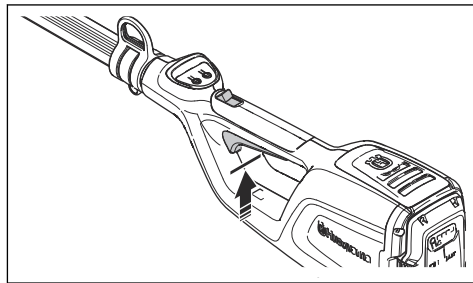
- a) LED 指示灯亮起时，表示本产品已启动。
  - b) LED 指示灯熄灭时，表示本产品已关闭。
2. 有关 SavE 按钮 (B) 的功能，请参阅 *启动 SavE 功能* 在第 545 页上。
  3. 如果警告指示灯 (C) 亮起或闪烁，请参阅 *故障排除* 在第 546 页上。

## 检查开关扳机锁

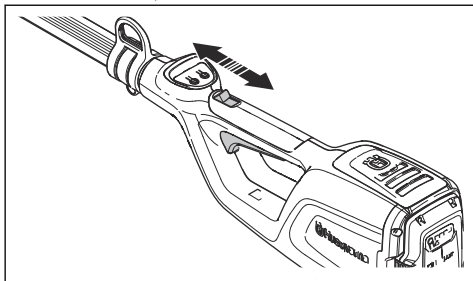
开关扳机锁用于防止意外操作。松开手柄后，开关扳机和开关扳机锁都会返回原位。



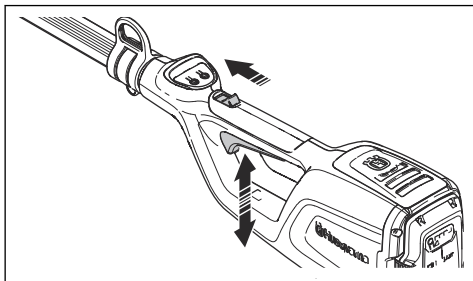
1. 当开关扳机锁处于原位时，确保开关扳机已锁止。



2. 拉动并松开锁，并确保其会返回至其初始位置。



3. 确保开关扳机和开关扳机锁能自由移动，并且复位弹簧工作正常。



4. 启动本产品，请参阅 *启动产品* 在第 544 页上。  
5. 全速运转。  
6. 松开开关扳机，确保切割锯片完全停止转动。

## 电池安全



**警告：** 请在使用本产品前阅读下面的警告说明。

- 推荐使用电池 BLi10。请参阅 *技术参数* 在第 548 页上。电池通过软件加密。
- 仅将可充电的 BLi10 电池作为电源用于 Husqvarna 相关产品。为避免伤害，请勿用电池为其他装置供电。
- 有发生电击的危险。请勿将电池端子连接至钥匙、硬币、螺钉或其他金属上。这会导致电池短路。
- 切勿使用一次性电池。
- 请勿将异物放入电池的导气槽中。
- 使电池远离阳光、热量或明火。电池可能导致烧伤和/或化学烧伤。
- 使电池远离雨水和潮湿条件。
- 使电池远离微波和高压条件。
- 请勿尝试拆卸或破坏电池。
- 如果电池出现泄漏，不要让电池酸液接触到身体或眼睛。如果接触了电池酸液，请先用大量清水和肥皂清洗接触部位，然后送医治疗。如有电池酸液入眼，请勿揉搓，先用清水至少冲洗 15 分钟，然后送医治疗。
- 在 -10 °C (14 °F) 至 40 °C (114 °F) 之间的温度下使用电池。

- 切勿用水清洁电池或充电器。请参阅 *清洁产品、电池和电池充电器* 在第 546 页上。
- 切勿使用存在缺陷或损坏的电池。
- 电池在存放时应远离金属物体，如钉子、螺钉或珠宝。
- 使电池远离儿童。

## 充电器安全性



**警告：** 请在使用本产品前阅读下面的警告说明。

- 如果未遵守安全须知，则有发生电击或短路的危险。
- 除了为您提供的电池充电器之外，请勿使用其他充电器。给 BLi10 电池充电时推荐使用充电器 QC80。
- 切勿尝试拆卸电池充电器。
- 切勿使用存在缺陷或损坏的电池充电器。
- 切勿用电源线提起电池充电器。要从电源插座断开电池充电器，请拔出插头。切勿拽拉电源线。
- 让所有电线和延长电线远离水、油和锋利的边沿。确保电线不会夹在物体之间，例如门、篱笆或类似物体。
- 切勿在易燃材料或可能导致腐蚀的材料附近使用电池充电器。确保未覆盖电池充电器。如果出现冒烟或着火，拔出电池充电器插头。
- 仅在室内空气流通较好且远离日光的位置为电池充电。请勿在室外为电池充电。请勿在潮湿条件下为电池充电。
- 仅在 5 °C (41 °F) 至 40 °C (104 °F) 之间的温度下使用电池充电器。在空气流通较好、干燥且远离灰尘的环境下使用充电器。
- 请勿将异物放置在电池的冷却槽中。
- 不得将电池充电器端子连接到金属物体上，否则会使电池充电器短路。
- 使用获得批准的完好墙壁插座。确保电池充电器的电缆没有损坏。如果使用了加长电缆，请确保加长电缆没有损坏。

## 维护安全须知



**警告：** 请在维护该产品前阅读下面的警告说明。

- 在维护前请取出电池，其他情况如检查或装配产品时，也需取出电池。
- 操作人员只能进行本说明书中介绍的维修和保养工作。更大范围的维修和保养请求助您的保养代理商。
- 切勿用水清洁电池或充电器。强力洗涤剂可能导致塑料损坏。
- 如果您不进行维护，可能会缩短产品的生命周期，并增加发生意外的风险。
- 对于所有的保养和维修工作，有必要进行专门的培训，尤其是有关产品上的安全装置。如果在您维护之后，本说明书中的检查并未全部获得批准，请求助于您的保养代理商。我们将保证为您的产品提供专业的维修和保养。

- 确保正确修磨锯片齿。按照我们的建议操作。另请参阅锯片包装上的说明。
- 请仅使用原厂备件。
- 维修切割锯片时，请务必戴上耐磨的手套。锯片十分锋利，容易造成伤害。

## 安装

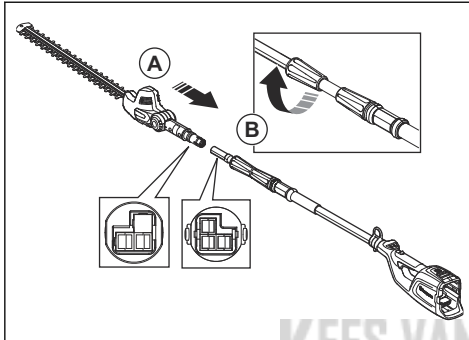
### 引言



**警告：** 请先仔细阅读和充分理解安全须知章节，再安装产品。

### 安装驱动轴

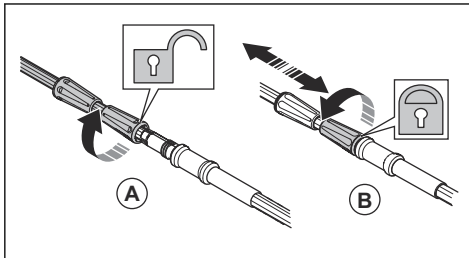
1. 确保电气插头对齐。



2. 完全连接驱动轴 (A) 的端部。
3. 拧紧驱动轴 (B) 绿篱剪头侧的螺丝手柄。

### 调节驱动轴的长度

1. 松开驱动轴 (A) 电池外壳侧的螺丝手柄。

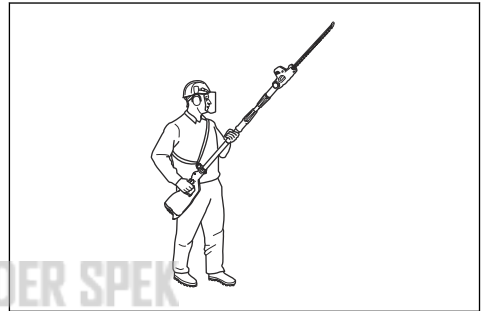


2. 将驱动轴调整至适当的长度。
3. 拧紧螺丝手柄 (B)。

### 调节背带

操作产品时，务必使用此背带。背带可在操作产品的过程中最有效地控制产品。背带可减少手臂和背部的疲劳感的风险。

1. 穿上背带。
2. 将产品挂到背带支撑钩上。
3. 调节背带的长度，以便支撑钩大约与您的右髋平行。



## 操作

### 引言



**警告：** 请先仔细阅读并充分理解安全须知章节，再使用产品。

### 启动本产品前需要采取的措施

1. 查看工作区域。清除可能被抛出的物体。

2. 检查切割锯片。确保锯片锋利且未出现裂纹和损坏。
3. 确保产品正常工作。检查并确认所有螺母和螺丝均已拧紧。
4. 确保手柄和安全装置未损坏且正确安装。当零件缺失或偏离初始规格时，不要操作本产品。必要时戴上保护手套。
5. 在操作本产品之前，确保护盖未损坏且正确安装。

## 连接电池充电器

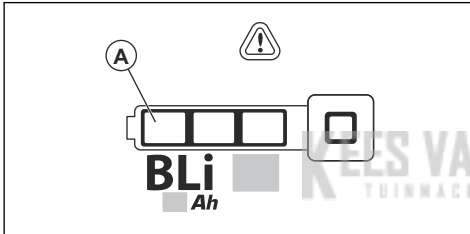
1. 将充电器连接至具有标牌上规定的电压和频率的电源。
2. 将电源插头插在接地插座中。电池充电器上的 LED 灯会闪烁一下绿灯。

**注意：** 电池温度超过 50 °C/122 °F 时将不会充电。如果温度超过 50 °C/122 °F，电池充电器将先冷却电池，再充电。

## 将电池连接至电池充电器

**注意：** 如果这是您第一次使用，请为电池充电。新电池仅充电至 30%。

1. 确保电池干燥。
2. 将电池连接电池充电器。
3. 确保电池充电器上的绿色充电灯亮起。这表示电池与电池充电器正确连接。
4. 当电池上的所有 LED 指示灯 (A) 亮起时，电池充满电。



5. 要从电源插座断开电池充电器，请拔出插头。切勿拉拽电线。
6. 从电池充电器中取出电池。

**注意：** 有关更多信息，请参阅电池和电池充电器手册。

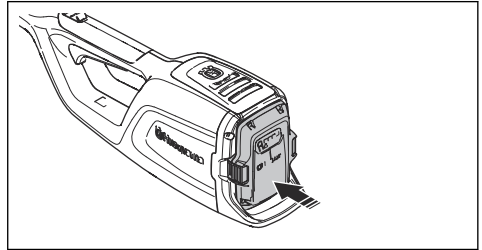
## 将电池连接到产品



**警告：** 仅使用产品中的 Husqvarna 原装电池。

1. 确保电池已经充满电。

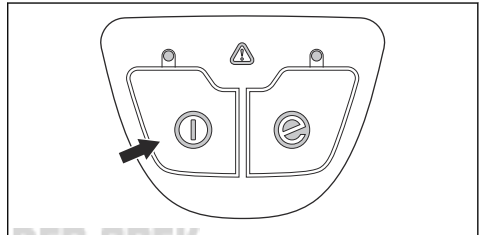
2. 将电池放入产品的电池座中。电池必须能够轻松移入电池座中，否则说明安装不正确。



3. 推动电池的下部，将其完全推入电池座中。听到卡嗒声表示电池已卡紧到位。
4. 确保门锁正确锁定到位。

## 启动产品

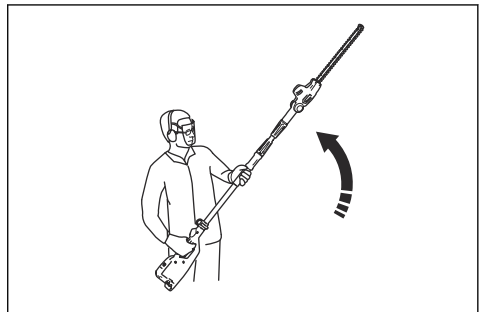
1. 按住启动/停止按钮，直至绿色指示灯亮起。



2. 向后拉动开关扳机锁并按住开关扳机。

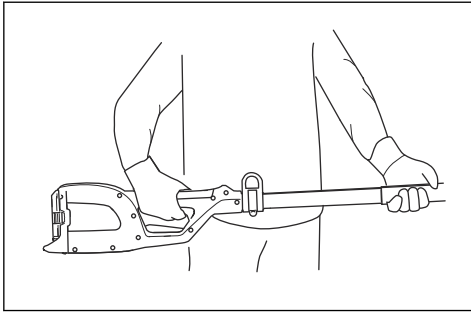
## 操作本产品

- 当您切割绿篱侧边时，从靠近地面的位置开始，沿绿篱向上移动产品。





- 靠近身体握住产品，以保持稳定的工作姿势。

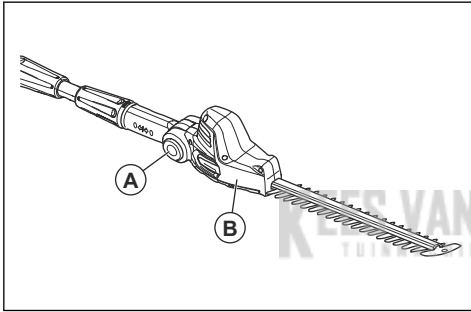


- 确保切割设备的端部不接触地面。
- 小心缓慢地作业，直到所有树枝均已正确切下。

### 调整切割刀片的角度

可以调整切割刀片，共有 7 个位置可用。

1. 停止产品并拆除电池。

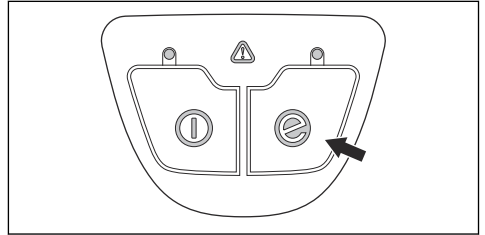


2. 将壳体 (B) 压紧。
3. 按住壳体 (B) 两侧的锁按钮 (A)。
4. 将切割刀片移至正确角度。
5. 松开两侧的锁按钮 (A)。
6. 上下移动壳体 (B)，直至切割刀片锁定到位。

### 启动 SavE 功能

本产品具有 SavE 功能。SavE 功能可使电池的工作时间最长。

1. 按下 SavE 按钮。LED 指示灯亮起以显示该功能已打开。



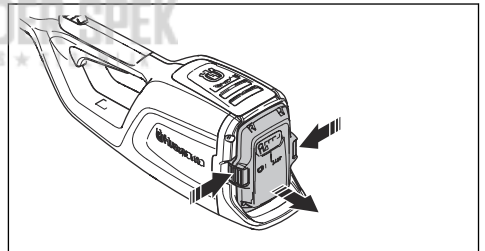
2. 再次按下 SavE 按钮可关闭该功能。

### 自动关机功能

本产品具有自动关机功能，可在本产品未使用时将其关闭。指示启动/停止的绿色指示灯会熄灭，本产品会在 60 秒后关闭。

### 关闭产品

1. 松开开关扳机。
2. 按住启动/停止按钮，直至绿色 LED 灯熄灭。
3. 从产品上取下电池。按下两个释放按钮，然后取下电池。



## 维护

### 引言



**警告：** 在对本产品进行维护之前，请仔细阅读并充分理解安全须知章节的内容。



**警告：** 在对本产品进行维护之前，请先拆下电池。

### 维护时间表

以下是本产品必要维护事项列表。

维护	使用前	每周	每月
清洁产品的外部。	X		

维护	使用前	每周	每月
检查并确认启动和停止开关工作正常且未受损。	X		
确保开关扳机和开关扳机锁的安全功能正常。	X		
确保所有控件工作正常且未受损。	X		
确保切割锯片和切割齿防护罩没有裂纹且未损坏。如果切割锯片或切割齿防护罩有裂缝或受到了撞击，则将其更换。	X		
如果切割锯片已弯曲或损坏，请予以更换。	X		
确保螺丝和螺母均已上紧。	X		
确保电池未受损。	X		
确保电池已充满电。	X		
确保电池充电器未受损。	X		
检查并确保用于将切割锯片紧固在一起的螺钉已正确拧紧。		X	
检查电池与产品之间的连接。检查电池与充电器之间的连接。			X

## 检查电池和电池充电器

1. 检查电池是否受损，例如出现裂纹。
2. 检查电池充电器是否受损，例如出现裂纹。
3. 确保电池充电器的连接线未受损且内部无裂纹。

## 清洁产品、电池和电池充电器

1. 在使用产品后用干布清洁产品。
2. 用干布清洁电池和电池充电器。保持电池导槽清洁。
3. 在将电池放入电池充电器或产品中之前，请确保电池和充电器的端子保持清洁。

## 检查锯片

1. 在使用本产品之前和之后，用防锈清洁剂清除锯片上的多余材料。
2. 检查锯片的刃口是否存在损坏和变形情况。
3. 使用锉刀去除锯片上的毛刺。
4. 确保锯片转动自如。

## 清洁和润滑锯片

1. 在使用本产品前后，清除锯片上的多余物质。
2. 长时间存放之前，对锯片进行润滑。

**注意：** 有关推荐清洁剂和润滑剂的更多信息，请与您的保养代理商联系。

## 润滑齿轮

如果经认证批准的保养代理商已将齿轮拆下，则用润滑脂润滑齿轮箱。

- 请使用 Husqvarna 提供的专用润滑脂。有关推荐润滑脂的更多信息，请与您的保养代理商联系。
- 只能使用少量的特殊高质量润滑脂。



**小心：** 切勿向齿轮箱加注满润滑脂。

## 故障排除

### 键盘

LED 屏幕	可能的故障	可能的解决方案
错误指示灯闪烁。	过载	切割锯片无法自由移动。松开切割锯片。
产品不能启动。	电池接头变脏。	使用压缩空气或软刷清洁电池接头。
错误指示灯呈红色亮起。	需要对本产品进行维修	请联系保养代理商。

## 电池

指示灯	可能的故障	可行操作
绿色指示灯闪烁。	电池电压低。	给电池充电。
错误指示灯闪烁。	偏离工作温度。	在 -10°C (14°F) 至 40°C (104°F) 之间的温度下使用电池。
	电压过高。	确保电源电压与产品标牌上的电压值相符。 从电池充电器中取出电池。
错误指示灯亮起。	电池电压差过大 (1V)。	请联系保养代理商。

## 电池充电器

问题	可能的故障	可能的解决方案
红色错误指示灯闪烁。	偏离工作温度。	在 5 °C (41 °F) 至 40 °C (104 °F) 之间的温度下使用电池充电器。
红色错误指示灯亮起。	电池电压差过大 (1V)。	请联系保养代理商。

## 运输、存放和废弃处理

### 运输及存放

- 随附的锂离子电池遵守危险品法律的要求。
- 请遵守商业运输在包装和标签方面的特殊要求，包括由第三方、运输代理等进行的商业运输。
- 在运送产品前，请与经过危险品专门培训的人员沟通。请遵守所有适用的国家法规。
- 在将电池放入包装中时，用胶带遮住裸露的触点。将电池牢牢固定在包装中，以防移动。
- 进行存放或运输之前请取下电池。
- 将电池和电池充电器放入干燥无霜的空间。
- 不要将电池存放在容易积聚静电的区域。严禁将电池存放在金属盒中。
- 电池存放温度应介于 5°C/41°F 至 25°C/77°F 之间，并避免阳光直射。
- 电池充电器存放温度应介于 5 °C/41 °F 至 45°C/113°F 之间，并避免阳光直射。
- 只能在 5°C/41°F 至 40°C/104°F 之间的环境温度条件下使用电池充电器。

- 在进行长期存储之前，将电池充电至 30% 至 50%。
- 将电池充电器存储在封闭、干燥的空间。
- 在存储期间使电池远离电池充电器。请勿使儿童和其他未获批准人员接触设备。将设备存放于可以锁闭的空间。
- 在长期存储本产品之前，应清洁产品并进行全面的保养。
- 在产品上使用运输护板，以防止产品在运输和存储期间造成伤害或损坏。
- 在运输期间固定好产品。

### 电池、电池充电器和产品的废弃处理

本产品或其包装上的符号指示不能将本产品当作生活垃圾进行处理。请在回收站作为电气和电子设备进行回收。这将有助于避免对环境 and 人产生损害。

请与当地相关部门、生活垃圾服务机构或您的经销商联系，了解更多关于回收本产品的信息。

## 技术参数

### 技术参数

	120ITK4-H
<b>马达</b>	
电机类型	PMDC 36V
<b>重量</b>	
不含电池时的重量, kg	4.6
包含电池 (默认电池 BLi10) 时的重量, kg	5.3
<b>噪音释放<sup>91</sup></b>	
声功率级测量值, dB(A)	91.32
声功率级保证值 $L_{WA}$ , dB(A)	94
<b>声压级<sup>92</sup></b>	
操作员耳旁声压级根据 EN 62841-1 和 EN 62841-4-2 测量得出, 单位为 dB(A)	81.3
<b>振动水平<sup>93</sup></b>	
前/后手柄上的振动水平 ( $a_h$ ), $m/s^2$ 。请参阅 EN 62841-1 和 EN 62841-4-2。	1.223/0.816
<b>切割设备</b>	
类型	双侧
刀片长度 (mm)	500
在 SavE 模式下的锯片速度 (切割次数/分钟)	2250
不在 SavE 模式下的锯片速度 (切割次数/分钟)	2800

### 认可电池充电器

<b>电池充电器</b>	<b>QC80</b>
输入电压, V	100-240
频率, Hz	50-60
功率 (W)	100

<sup>91</sup> 环境噪音排放以声功率 ( $L_{WA}$ ) 量测, 符合 EC 指导文件 2000/14/EC 的要求。保证声功率与测定声功率之间存在差异, 在于保证声功率按照 2000/14/EC 指导文件的要求还包含了测量结果中的离差以及相同型号不同产品之间的偏差。

<sup>92</sup> 等效声压级的典型统计离差为标准偏差 3 dB (A)。

<sup>93</sup> 振级的报告数据中具有一个  $1.5 m/s^2$  的典型统计离差 (标准偏差)。

标称振动总值依据标准测试方法测得, 可用于比较不同的工具。

标称振动总值还可用于初步评估振动接触情况。

电池充电器	QC80
输出电压, V DC/A	36/2

### 相应产品指定使用的电池

电池	BLi10
类型	锂离子电池
电池容量, Ah	请参阅电池额定值标识
额定电压 (V)	36
重量, kg	0.7

**KEES VAN DER SPEK**  
TUINMACHINES ★ STOLWIJK

---

## 欧盟一致性声明

---

### 欧盟一致性声明

Husqvarna AB, SE-561 82 Huskvarna, Sweden, 电话：  
+46-36-146500，谨此声明，序列号自 2021 (年份同随  
后的序列号一起清楚地标注在标牌上) 开始的高枝绿篱机  
Husqvarna 120ITK4-H 符合以下欧洲理事会指令：

- 2006 年 5 月 17 日“关于机械”的指令 **2006/42/EC**。
- 2014 年 2 月 26 日“关于电磁兼容性”的指令  
**2014/30/EU**。
- 2011 年 6 月 8 日“关于限制使用某些有害物质”的指令  
**2011/65/EU**。

适用标准如下：

**EN 62841-1:2015, EN 62841-4-2:2019, EN  
55014-1:2017+A11, EN 55014-2:2015,  
CISPR12:2007+A1 2009, EN IEC 63000:2018.**

TÜV Rheinland LGA Products GmbH, Tillystrasse 2,  
D-90431 Nuernberg, Germany, 已代表 Husqvarna AB 进  
行了自愿性型式检验。证书编号：**AM 50491653 0001**。

Huskvarna 2020-12-30



**KEES VAN DER SPEK**  
TUINMACHINES \* STOLWIJK

Pär Martinsson, 开发经理 (Husqvarna AB 授权代表，  
负责技术文档编制事务)

**KEES VAN DER SPEK**  
TUINMACHINES ★ STOLWIJK

# Husqvarna®

[www.husqvarna.com](http://www.husqvarna.com)

KEES VAN DER SPEK  
TUINMACHINES ★ STOLWIJK

Original instructions  
Originale instruktioner  
Originalanweisungen  
Instrucciones originales  
Alkuperäiset ohjeet  
Instructions d'origine  
Istruzioni originali  
Originele instructies  
Originale instruksjoner  
Instruções originais  
Bruksanvisning i original  
Původní pokyny  
Originaaljuhend  
Originalne upute  
Eredeti útmutatás  
Originalios instrukcijos

Lietošanas pamācība  
Oryginalne instrukcje  
Instrucijuni inițiale  
Pôvodné pokyny  
Izvirna navodila  
Оригинални инструкции  
Αρχικές οδηγίες  
取扱説明書原本  
원본 설명서  
Arahan asal  
Оригинальные инструкции  
Orijinal talimatlar  
Оригинальні інструкції  
VN - Các chỉ dẫn ban đầu  
原始说明

1142470-38



2021-04-13