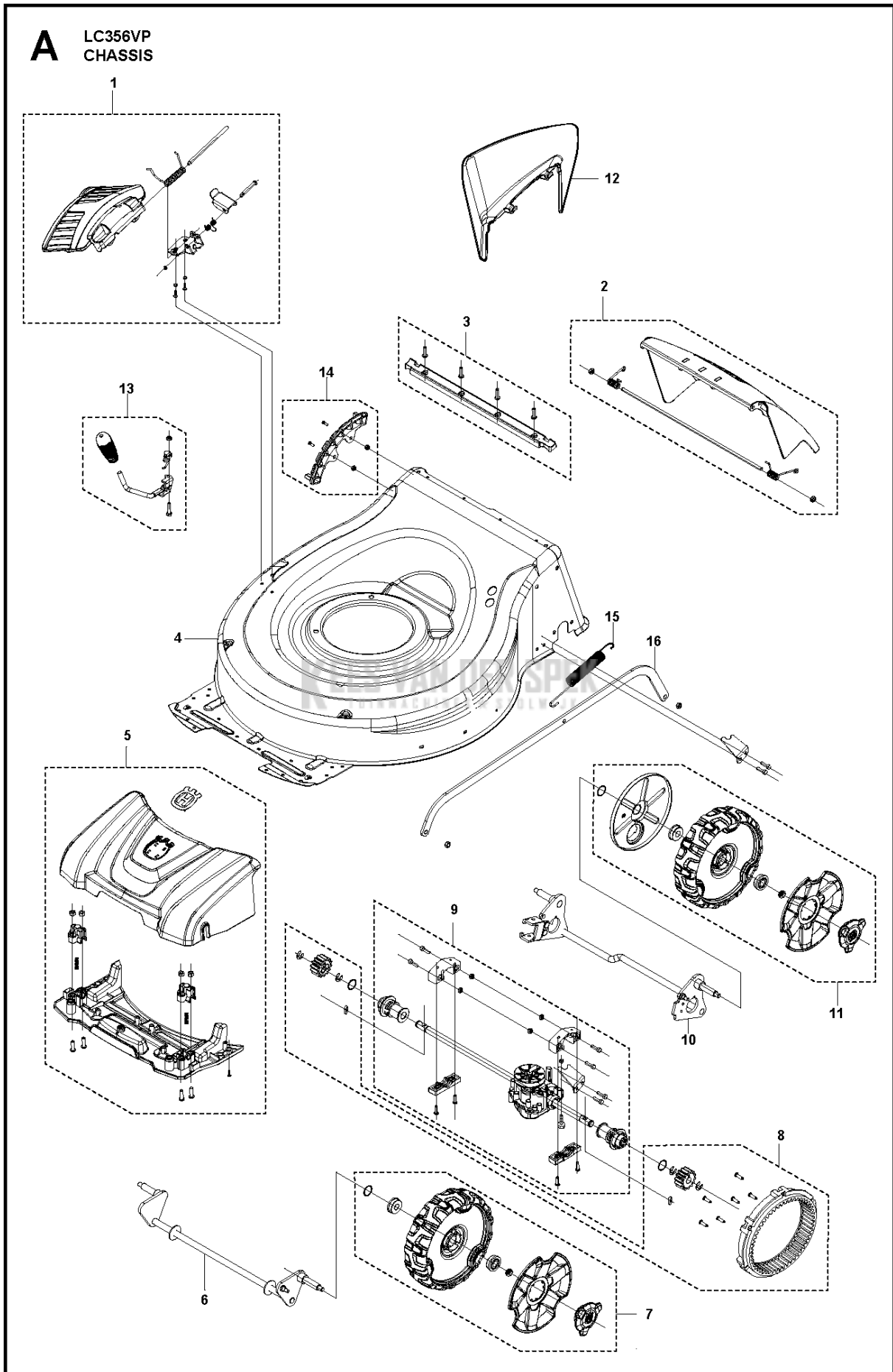




SPARE PARTS LIST

LAWN MOWERS: CONSUMER
WALK-BEHINDS

LC 356VP, 967988801, 967988802 ,
2019-11

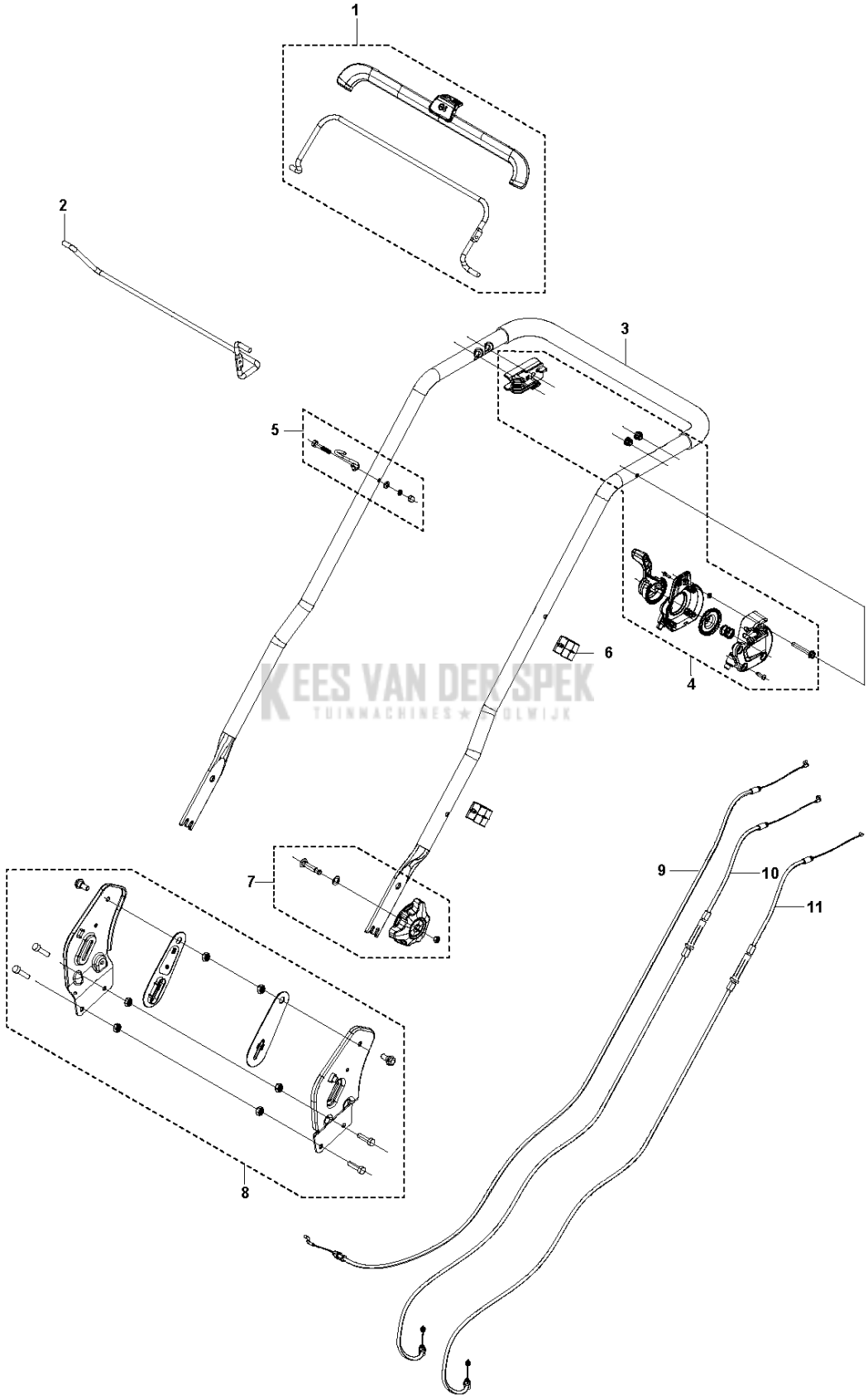


CHASSIS

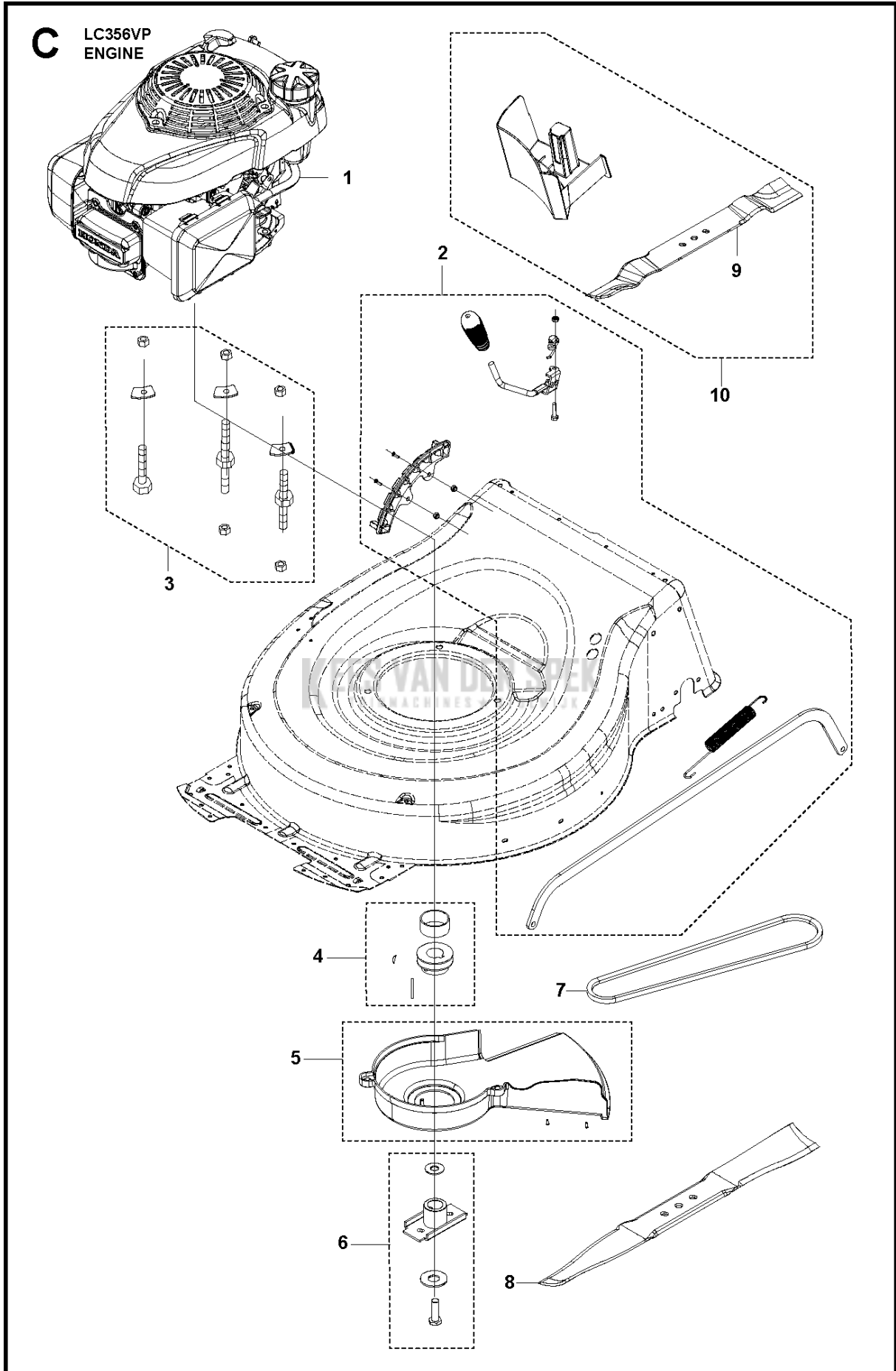
LC 356VP, 967988801, 967988802, 2019-11

Referentie	Onderdeel nr	Omschrijving	Opmerking	Aant KIT al
1	598 68 41-12	PLATE KIT	SIDE DISCHARGE PLATE	1
2	598 68 41-18	KLEP	REAR DOOR	1
3	598 82 57-01	AFDICHTINGSPLAAT	SEALING PLATE	1
4	598 86 11-01	CHASSIS	chassis	1
5	598 68 41-23	DEKSELSET	FRONT COVER	1
6	598 81 88-01	AS	WHEEL AXLE	1
7	598 51 29-01	WIEL	FRONT WHEEL	2
8	598 68 41-17	TANDWIEL	WHEEL DRIVE	1
9	598 68 41-16	TRANSMISSION KIT	REAR TRANSMISSION. See SB: B1210019A-07.	1
9	534 20 49-01	TRANSMISSION KIT	REAR TRANSMISSION. Use in models after S/N 20204900021.	1
10	598 68 41-10	AS	WHEEL AXLE. Use in models before S/N 20204900021.	1
10	534 20 70-01	AS	WHEEL AXLE. Use in models after S/N 20204900021.	1
11	598 68 41-03	WIEL	FRONT WHEEL	2
12	598 59 73-01	DEKSEL	SIDE DISCHARGE PROTECTIVE COVER	1
13	599 13 91-01	HENDEL KIT	HEIGHT ADJUSTMENT HANDLE	1
14	599 13 90-01	PLATE KIT	HEIGHT ADJUSTMENT PLATE	1
15	599 13 89-01	VEER	tension spring of connecting rod	1
16	599 13 92-01	STANG	connecting rod	1

B LC356VP
HANDLE



Referentie	Onderdeel nr	Omschrijving	Opmerking	Aant KIT al
1	598 81 82-01	HENDEL KOMPLEET	BAIL ARM	1
2	598 86 19-01	STANG	drive rod	1
3	598 72 19-01	HENDEL KIT	HANDLE AND SHEATH	1
4	598 74 82-01	HENDEL KOMPLEET	BAIL ARM	1
5	598 82 56-01	HENDEL KIT	HANDLE	1
6	598 96 15-01	KLEM	clip	1
7	598 68 41-25	KNOB ASSY	KNOB	1
8	598 68 41-13	SUPPORT KIT	HANDLE BRACKET	1
9	598 86 15-02	KABEL COMPL.	choke cable assy	1
10	598 86 18-01	KABEL COMPL.	DRIVE CABLE ASSY. Use in models before S/N 20204900021.	1
10	534 20 74-01	KABEL COMPL.	DRIVE CABLE ASSY. Use in models after S/N 20204900021.	1
11	598 86 17-01	KABEL COMPL.	Variable speed cable assembly. Use in models before S/N 20204900021.	1
11	534 20 75-01	KABEL COMPL.	Variable speed cable assembly. Use in models after S/N 20204900021.	1



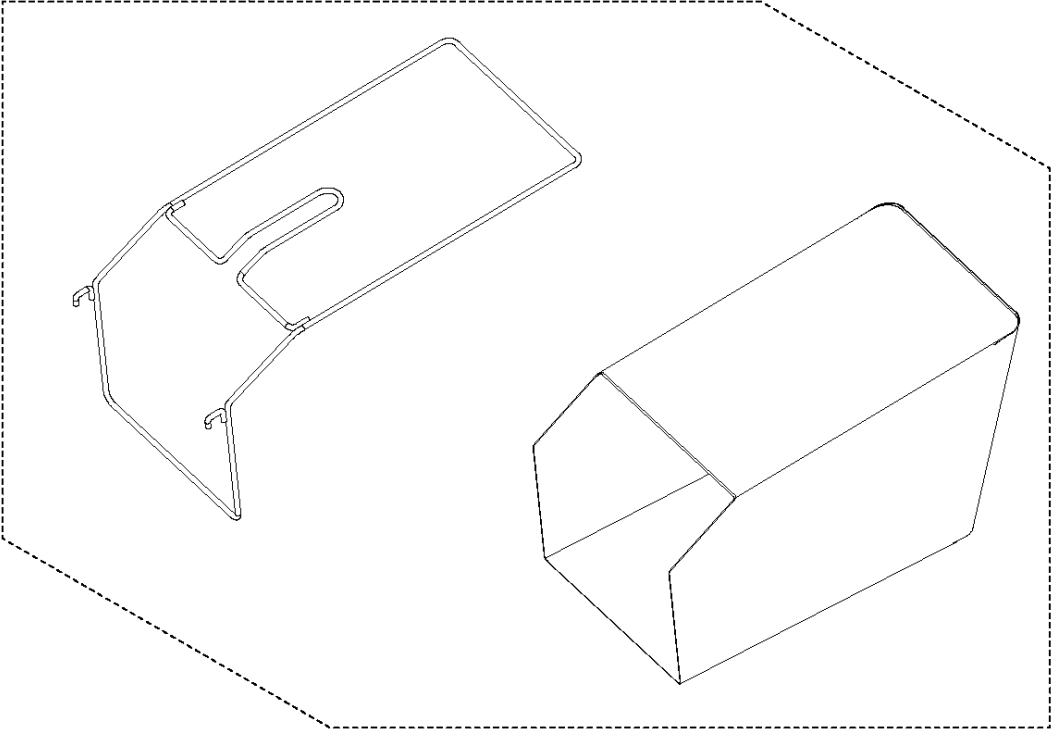
MOTOR

LC 356VP, 967988801, 967988802 , 2019-11

Referentie	Onderdeel nr	Omschrijving	Opmerking	Aant KIT al
1	000 00 00-00	W/O DESCRIPTION	HONDA ENGINE GCV170H-S3AL. Contact your local Honda Distributor	1
2	598 68 41-08	HOOGTE INSTELLING	HEIGHT ADJUSTER	1
3	598 74 26-01	INSTALLATION KIT	BOLTS AND NUTS	1
4	598 68 41-02	POELIE	DRIVE PULLEY	1
5	598 68 41-06	DEKSEL	BELT COVER	1
6	598 68 41-04	MES HOUDER	BLADE ADAPTER	1
7	598 86 10-01	RIEM	belt	1
8	598 56 27-01	MES	Collect blade	1
9	598 56 36-01	MES	Mulch blade	1
10	598 01 81-01	MULCH KIT	MULCHING KIT	1

D LC356VP
GRASS HANDLING

1



KEES VAN DER SPEK
TUINMACHINES ★ STOLWIJK

Referentie	Onderdeel nr	Omschrijving	Opmerking	Aant KIT al
1	598 68 41-20	GRASVANGZAK COMPL.	GRASS BAG KIT	1