

Art. 1407

**D Betriebsanleitung**  
Blumenkastenbewässerung

---

**GB Operating Instructions**  
Flower Box Watering Set

---

**F Mode d'emploi**  
Arrosoir automatique balcons  
et terrasses

---

**NL Instructies voor gebruik**  
Bloembakbesproeiingsset

---

**S Bruksanvisning**  
Blomlådebevatning

---

**I Istruzioni per l'uso**  
Idrokit per fioriere

---

**E Manual de instrucciones**  
Riego para jardineras

---

**P Instruções de utilização**  
Conjunto de rega para  
canteiros

---

**PL Instrukcja obsługi**  
Automatycznej konewki do  
roślin balkonowych

---

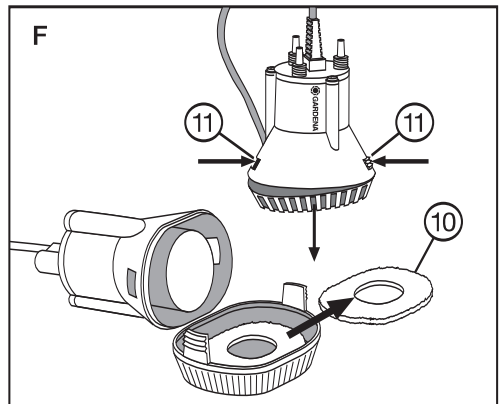
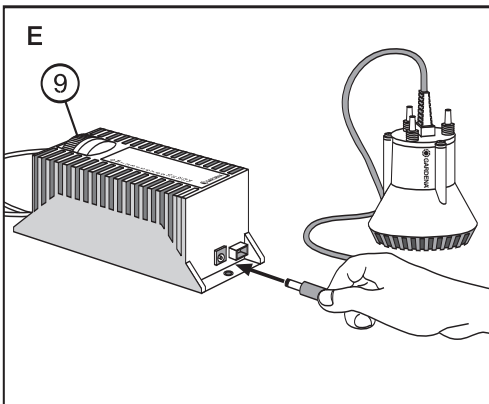
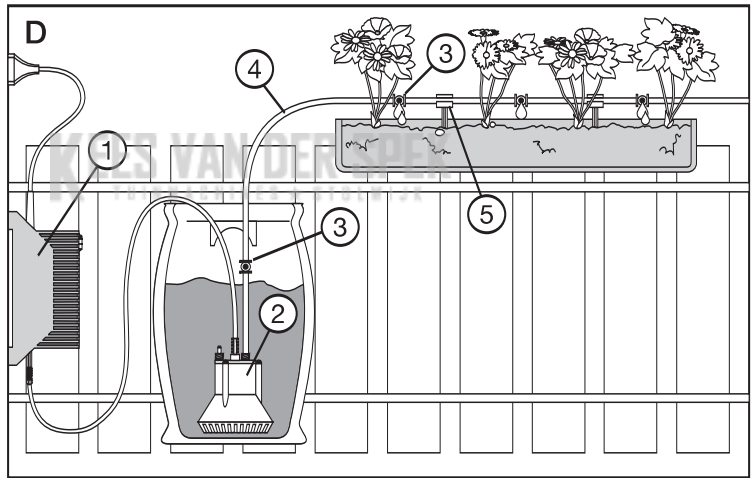
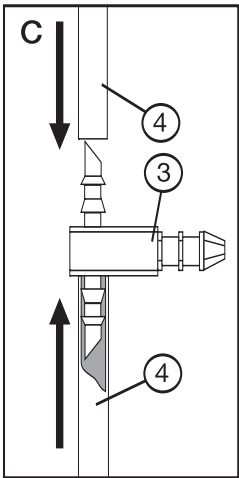
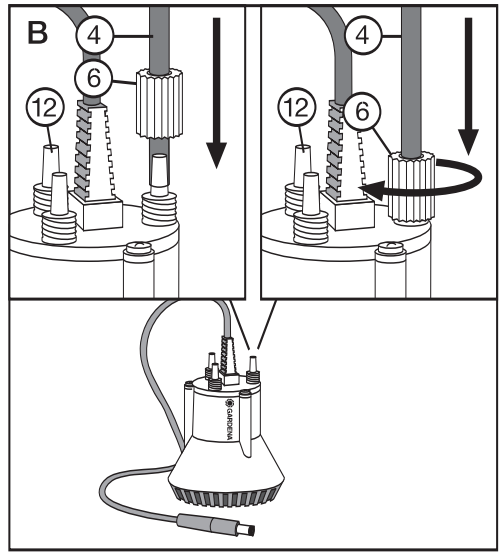
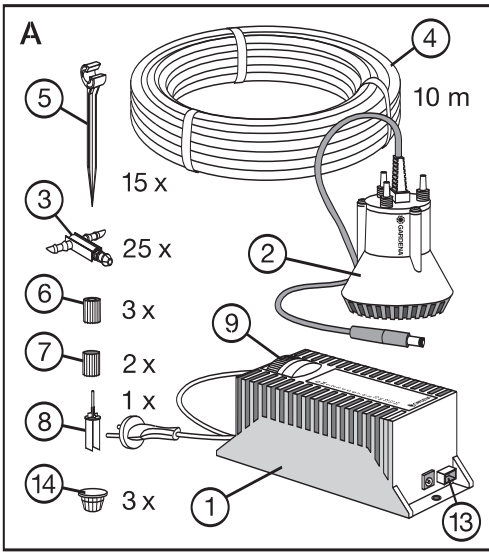
**CZ Návod k použití**  
Zavlažování květinových  
truhlíků

---

**SK Návod na použitie**  
Zavlažovanie dlhých  
kvetináčov

---

**H Használati útmutató**  
Erkélyláda öntözés



**D**

Bitte lesen Sie diese Betriebsanleitung vor Inbetriebnahme Ihres Gerätes sorgfältig. Beim Lesen der Betriebsanleitung bitte die Umschlagseite herausklappen.

Inhaltsverzeichnis	Seite
1. Technische Daten	5
2. Hinweise zur Betriebsanleitung	5
3. Ordnungsgemäßer Gebrauch	5
4. Funktion des Gerätes	5
5. Vorbereitung zum Aufbau	6
6. Aufbau der Anlage	6
7. Inbetriebnahme	7
8. Wartung, Pflege, Aufbewahrung	8
9. Störungen	9
10. Hinweise zur ordnungsgemäßen Benutzung / Sicherheitshinweise	9
Garantie	66

**GB**

Please read these operating instructions carefully before using the unit.

Unfold inside cover page to read the operating instructions.

Contents	Page
1. Technical data	10
2. Notes on operating instructions	10
3. Proper use	10
4. Equipment and application	10
5. Assembly preparations	11
6. Assembly of the system	11
7. Operating the system	12
8. Maintenance, care, storage	13
9. Faults	13
10. Notes on correct use, safety notes	14
Guarantee	66

**F**

Nous vous remercions de bien vouloir lire attentivement ce mode d'emploi avant d'utiliser votre arrosoir automatique. En dépliant le volet de la couverture, vous aurez sous les yeux une série d'illustrations vous permettant une meilleure compréhension de ce mode d'emploi.

Contenu	Page
1. Caractéristiques techniques	15
2. Informations sur le mode d'emploi	15
3. Domaine d'utilisation	15
4. Descriptif de l'appareil	15
5. A propos de la consommation en eau	16
6. Montage	17
7. Utilisation	17
8. Entretien et rangement	19
9. Incidents de fonctionnement	19
10. Précautions d'emploi et conseils de sécurité	20
Garantie	66

**NL**

Lees deze instructies voor gebruik voor montage en in-gebruikname van het apparaat zorgvuldig door. Bij het lezen van de Instructies voor gebruik de bladzijde met de afbeeldingen open slaan.

Inhoudsopgave	Pagina
1. Technische gegevens	21
2. Aanwijzingen bij de Instructies voor gebruik	21
3. Juiste gebruik	21
4. Functie van het apparaat	21
5. Voorbereiding voor de opbouw	22
6. Opbouwen van de installatie	22
7. Ingebruikname	23
8. Onderhoud en opslag	24
9. Storingen	25
10. Aanwijzingen voor het juiste gebruik, veiligheidsaanwijzingen	25
Garantie	66

**S**

Läs igenom Bruksanvisningen noggrant innan Du tar Din GARDENA Blomlädebevattning i bruk. Ha omslaget utvikt när Du läser bruksanvisningen.

Innehåll	Sida
1. Tekniska data	26
2. Anvisningar för bruksanvisningen	26
3. Rätt användning	26
4. Utrustningens funktion	26
5. Förberedelse för uppbyggnaden	27
6. Uppbyggnad av anläggningen	27
7. Driftstart	28
8. Underhåll, skötsel och förvaring	29
9. Fel	29
10. Anvisningar för riktig användning, säkerhetsanvisningar	29
Garanti	66

**I**

Prima di mettere in uso l'idrokit per fioriere, leggere attentamente le istruzioni tenendo aperto il pieghevole per avere sott'occhio i disegni esplicativi.

Indice	pagina
1. Dati tecnici	31
2. Avvertenze	31
3. Uso corretto	31
4. Funzioni	31
5. Scelta del serbatoio	32
6. Realizzazione dell'impianto	32
7. Messa in uso	33
8. Manutenzione	34
9. Anomalia di funzionamento	34
10. Norme d'uso e di sicurezza	35
Garanzia	67

# GARDENA Flower Box Watering Set

## 1. Technical data

### Transformer with Timer

Encapsulated low-voltage safety transformer with thermoprotection, which prevents damage from overloading or short circuits, for use indoors and outdoors.

Input voltage	230 V
Frequency	50 / 60 Hz
Output voltage	14 V ---
Power	30 VA
Max. ambient temperature	+ 40 °C
Protection class	II
Power cable (supplied)	2 m, type H05-RNF

### Pump

Operating voltage	14 V
Operating current (max.)	1.7 A
Max. pressure	1 bar (14 psi)
Max. flow	180 l/h

## 2. Notes on operating instructions

Translation of the original instructions from German. Please read these operating instructions carefully and observe the notes given. Use the instructions to familiarise yourself with the operating con-

trols, their correct use and the notes on safety.



For safety reasons, children under 16 as well as persons not familiar with these

operating instructions should not use this Flower Box Watering system.

Keep these operating instructions in a safe place.

## 3. Proper use

The GARDENA Flower Box Watering system is designed for use in domestic environments.

Gardening tools for domestic applications are not designed for use in public grounds, parks,

sport centres, roads, agriculture or forestry.

Compliance with the instructions provided by the manufacturer is a prerequisite for using the tool correctly.

The operating instructions also include the conditions for operation, repair and maintenance.

## 4. Equipment and application

### 4.1 Contents (fig. A)

The Flower Box Watering Set consists of the following components:

- ① 1 Transformer with 13 fixed programmes for selection
- ② 1 Submersible pump (operating voltage 14 V)
- ③ 25 Inline Drip Heads, each 2 l/h
- ④ 10 m Supply Pipe  $\varnothing$  4.6 mm (3/16")

- ⑤ 15 Pipe Pegs  $\varnothing$  4.6 mm (3/16")
- ⑥ 3 Sleeves
- ⑦ 2 End Caps (for water pump)
- ⑧ 1 Cleaning Needle
- ⑨ 3 End Caps (for Inline Drip Heads)

### 4.2 Flower Box Watering system application

The Flower Box Watering System allows fully automatic watering

of plants without tap connection e. g. in flower boxes.

There are 13 fixed programmes available for selection.

**Ideal:** One Inline Drip Head for each plant. The set supplied can irrigate up to 25 plants (using one Inline Drip Head per plant), in 5 to 6 flower boxes of 1 m length each including spacing between the boxes (10 m total length for the Supply Pipe).

**Note:** The system can be extended to supply up to 10 flower boxes by adding matching accessories from the GARDENA Micro-Drip-System (Supply Pipe, Pipe Pegs and Inline Drip Heads).

**Important note:**  
In this case, the Supply Pipe must be connected to the second water tap connection of the pump.

A maximum of 40 Inline Drip Heads can be connected.

## 5. Assembly preparations

### 5.1 Water quantity/container

Before starting to assemble the system, establish the water consumption over a given period of time, which subsequently determines the size of the container required.

#### Example:

You want to water 2 flower boxes each containing 4 plants and 4 Inline Drip Heads 3 minutes per day for 10 days.

Each Inline Drip Head delivers 2 l/h, i.e. 0.1 l in 3 mins.

The quantity of water for our 8 Inline Drip Heads will be 0.8 l per day, 8 l for 10 days. (Information regarding the water consumption of the installation for

the various watering programs which can be selected, can be found in the section entitled "Fixed transformer programmes").

#### Result:

A 10 l bucket will suffice as a container for this example.

**Note:** When using a water container of a large capacity (eg: 100-150 l or more), the maximum weight load for your balcony according to DIN 1055 should be taken into account.

**Note:** If the GARDENA Soil Moisture Sensor (Art. No. 1188) is included in the system, watering is carried out taking the moisture content of the soil

into account. This means that despite programmed watering, no water will be distributed if the Soil Moisture Sensor measures sufficient moisture already in the soil (refer also to the operating instructions for the Soil Moisture Sensor).

If the GARDENA Rain Sensor (Art. No. 1189) is connected, watering is interrupted if it starts to rain. It is only worth connecting the GARDENA Rain Sensor if the flower boxes are exposed to natural rain fall and are not fitted underneath the roof.

## 6. Assembly of the system (fig. B-D)

### 6.1 Assembly of the watering system

- Fit the sleeve ⑥ to the Supply Pipe ④; attach the Supply Pipe ④ to one of the three water connections ⑫ of the pump and screw the Supply Pipe with the sleeve in accordance with figure B.
- If the remaining two water connections ⑫ of the pump are not in use, close these by screwing on End Caps ⑦.
- Note: We recommend to install the first Inline Drip Head ③ immediately above the water level in the container. This ensures that the system is vented and prevents any dripping of water when the system is turned off, especially if Inline Drip Heads are installed at a lower height than the water level in the container.**

- Cut the Supply Pipe ④ where you want to insert the Inline Drip Head, push the barb into the pipe until completely covered (fig. C, bottom).
- Push the other barb of the Inline Drip Head ③ into the other end of the Supply Pipe ④ (fig. C, top).
- Mark the installation position of all other Inline Drip Heads and install in the manner described in 4. and 5.
- Place the Pipe Pegs ⑤ in the flower boxes in the chosen positions and attach the Supply Pipe ④ to the Pipe Pegs (fig. D).  
**Tip:** We recommend 3 Pipe Pegs for each flower box of 1 m length.
- When using the GARDENA Soil Moisture Sensor (Art. No. 1188) it must be installed in one of the flower boxes to be

watered. When connecting the GARDENA Rain Sensor (Art. No. 1189) it should be connected so that the sensor (and the flower boxes) are exposed to natural rainfall. Please refer to the operating instructions for the GARDENA Soil Moisture Sensor or GARDENA Rain Sensor.

- Close the open end of the last Inline Drip Head using the End Cap supplied ⑭.

### 6.2 Positioning the water container / level (fig. D)

**Important!** When choosing the location for the water container, please ensure that the water level is at a lower height than the flower boxes. This will avoid the water dripping after the irrigation process! However, if the flower

boxes are positioned at a lower height than the water level, we

recommend to install the first Inline Drip Head directly above the water level in the container.


This allows venting of the system and prevents dripping.


## 7. Operating the system

### 7.1 Operating the system

(fig. A/E)

1. Fill the container with at least the required quantity of water.
2. Connect the pump to the transformer (fig. E).

 **Use only the GARDENA transformer supplied and never connect the pump directly to the mains supply!**

 **Position the transformer in a safe and dry location.**


3. Place the pump in filled container.

**Note:** The pump must rest flat on the bottom of the water container.

4. If using the GARDENA Soil Moisture Sensor (Art. No. 1188) or the Rain Sensor (Art. No. 1189), connect the sensor now to the transformer at the socket "Sensor" (13, fig. A).
5. Set the adjustment knob (9) to position 0 and insert the mains plug into an outlet socket.
6. Set the selected watering programme with the adjustment

knob (9). The system will operate as per selected programme (refer also to 7.2).

7. Check that all connections are firmly tightened.

 **The pump should never be operated without water, so as to avoid damage to the pump.**

### 7.2 Fixed transformer programmes

Select one of the following fixed programmes.

Position	Frequency	Run Time	Description	10 Inline Drip Heads /day
0	Off/Reset	–	No watering; system turned off.	–
M	On	3 min.	Watering once; duration 3 minutes	1 l (once)
1	3rd day	3 min.	Watering every 3rd day for 3 minutes	1 l / 3rd day
2	2nd day	3 min.	Watering every 2nd day for 3 minutes	1 l / 2nd day
3	3rd day	6 min.	Watering every 3rd day for 6 minutes	2 l / 3rd day
4	2nd day	6 min.	Watering every 2nd day for 6 minutes	2 l / 2nd day
5	24 h	3 min.	Watering every 24 hours for 3 minutes	1 l
6	8 h	1 min.	Watering every 8 hours for 1 minute	1 l
7	24 h	6 min.	Watering every 24 hours for 6 minutes	2 l
8	12 h	3 min.	Watering every 12 hours for 3 minutes	2 l
9	8 h	3 min.	Watering every 8 hours for 3 minutes	3 l
10	12 h	6 min.	Watering every 12 hours for 6 minutes	4 l
11	8 h	6 min.	Watering every 8 hours for 6 minutes	6 l
12	6 h	6 min.	Watering every 6 hours for 6 minutes	8 l
13	4 h	6 min.	Watering every 4 hours for 6 minutes	12 l
14	Automatic	–	When the GARDENA Soil Moisture Sensor is connected – see Chapter "Sensor Operation"	–

### 7.3 Sensor Operation

By selecting **programs 1-13** when the GARDENA Soil Moisture Sensor (Art. No. 1188) is connected, timer-controlled watering is prevented or interrupted if the soil is sufficiently moist.

Alternatively, by connecting the GARDENA Rain Sensor (Art. No. 1189) watering can be prevented or interrupted if it starts to rain.

By selecting **automatic program 14**, watering can be switched on and off completely automatically

depending on the moisture level of the soil. You must connect the GARDENA Soil Moisture Sensor (Art. No. 1188) and set the control knob on the Soil Moisture Sensor to position 2 (see also the notes in the Soil Moisture Sensor operating instructions).

## 8. Maintenance, care, storage

**⚠ Attention! Disconnect the mains plug before carrying out any work on the system!**

### Cleaning the filter (fig. F)

The pump is almost maintenance-free.

It has an integrated filter which needs to be cleaned in the following way, after the system has been shut-off:

1. Press both orange locking knobs (11) and remove the base of the pump (fig. F).

2. Take out the filter (10) and rinse in clean water.
3. Replace the filter into the suction base.
4. Re-connect the base to the pump. Ensure that locking knobs snap firmly into position.

**⚠ Attention! The housing of the pump is sealed at the thread. Any work on electrical parts must only be carried out by GARDENA Service.**

In frost affected areas the pump and transformer must be stored in a dry place.



**Disposal:**  
(in accordance with  
RL2002/96/EC)

Device may not be added to normal household refuse but must be disposed of in the technically correct way.

## 9. Faults

Fault	Possible cause	Remedy
<b>Pump does not run.</b>	Mains connector or pump connector are not plugged in.	Insert the mains plug in the outlet socket, or the pump connector plug in the socket at the transformer.
	Soil Moisture Sensor / Rain Sensor indicates moisture.	Wait until the Soil Moisture Sensor / Rain Sensor has dried out sufficiently.
<b>No water is delivered.</b>	Container is empty.	Fill container with water.
	The pump filter (10) is blocked.	Clean the pump filter (section 8.1).
<b>The watering cycles are incorrect.</b>	The adjustment knob (9) of the transformer is set in between programmes.	Set the adjustment knob exactly onto desired position.
<b>The system still runs after the pump has been turned off.</b>	Inline Drip Heads are installed lower than water level in container.	Choose another location for the container, where the water level is below the Inline Drip Heads. Install an Inline Drip Head to vent the system.


If you have any problem with your Flower Box Watering system, please contact our Customer Service or return the defective unit together with a short description of the problem directly to one of the GARDENA Service Centres listed on the back of this leaflet.


If covered under guarantee, please include the completed and signed warranty card.

**We expressly point out that, in accordance with the product liability law, we are not liable for any damage caused by our units if it is due to improper**


**repair or if parts exchanged are not original GARDENA parts or parts approved by us, and, if the repairs were not carried out by a GARDENA Service Centre or an authorised specialist. The same applies to spare parts and accessories.**


## 10. Notes on correct use, safety notes


 Only use Original GARDENA parts, as the function of the system cannot otherwise be guaranteed.


 Check the power cable for the transformer and the extension cable for the pump at regular intervals for damage. Only connectors and cables in perfect condition should be used. Disconnect the connector from the mains immediately in the event of damage to the power cable


at the transformer or to the connecting cable for the pump.


 Damaged power cables cannot be replaced on encapsulated transformers.

 Damaged connecting cables to the pump can only be replaced by GARDENA Service.

 Disconnect the mains plug of the transformer from the outlet socket for all work on the Flower Box Watering system.

 The pump may only be operated with 14-V protected low-voltage in combination with the GARDENA transformer and timer.

 Risk of fatal injuries if connected directly to 230 V!

 Do not let the pump run dry.

**KEES VAN DER SPEK**  
TUINMACHINES ★ STOLWIJK



**D**

## Garantie

GARDENA gewährt für dieses Produkt 2 Jahre Garantie (ab Kaufdatum). Diese Garantieleistung bezieht sich auf alle wesentlichen Mängel des Gerätes, die nachweislich auf Material- oder Fabrikationsfehler zurückzuführen sind. Sie erfolgt durch die Ersatzlieferung eines einwandfreien Gerätes oder durch die kostenlose Reparatur des eingesandten Gerätes nach unserer Wahl, wenn folgende Voraussetzungen gewährleistet sind:

- Das Gerät wurde sachgemäß und laut den Empfehlungen in der Betriebsanleitung behandelt.
- Es wurde weder vom Käufer noch von einem Dritten versucht, das Gerät zu reparieren.

Diese Hersteller-Garantie berührt die gegenüber dem Händler/Verkäufer bestehenden Gewährleistungsansprüche nicht.

Im Garantiefall schicken Sie bitte das defekte Gerät zusammen mit einer Kopie des Kaufbelegs und einer Fehlerbeschreibung per Abhol-Service (nur in Deutschland) oder frankiert an die auf der Rückseite angegebene Serviceadresse.

Unfreie Paketeinsendungen werden im Postverteilterzentrum ausgefiltert und erreichen uns nicht.

Nach erfolgter Reparatur senden wir das Gerät frei an Sie zurück.

**GB**

## Guarantee

GARDENA guarantees this product for 2 years (from date of purchase). This guarantee covers all serious defects of the unit that can be proved to be material or manufacturing faults. Under warranty we will either replace the unit or repair it free of charge if the following conditions apply:

- The unit must have been handled properly and in keeping with the requirements of the operating instructions.
- Neither the purchaser nor a non-authorised third party have attempted to repair the unit.

This manufacturer's guarantee does not affect the user's existing warranty claims against the dealer/seller.

If a fault occurs with your GARDENA Flower Box Watering system, please return the faulty unit together with a copy of the receipt and a description of the fault, with postage paid to one of the GARDENA Service Centres listed on the back of these operating instructions.

**F**

## Garantie

Pour mieux vous servir, GARDENA accorde pour cet appareil une garantie contractuelle de 2 ans à compter du jour de l'achat. Elle est assurée par le remplacement gratuit des pièces défectueuses ou de l'appareil. Le choix en étant laissé à la libre initiative de GARDENA.

En tout état de cause s'applique la garantie légale couvrant toutes les conséquences des défauts ou vices cachés (article 1641 et suivants du Code Civil).

Pour que ces garanties soient valables, les conditions suivantes doivent être remplies :

- L'appareil a été manipulé de manière adéquate, suivant les instructions du mode d'emploi.
- Il n'y a eu aucun essai de réparation, ni par le client, ni par un tiers.

Une intervention sous garantie ne prolonge pas la durée initiale de la garantie contractuelle.

Toutes les revendications dépassant le contenu de ce texte ne sont pas couvertes par la garantie, quel que soit le motif de droit.

Pendant la période de garantie, le Service Après-Vente et les Centres SAV agréés effectueront, à titre payant, les réparations nécessaires par suite de manipulations erronées.

En cas de garantie, veuillez envoyer le produit en port payé avec le bon d'achat et une description du problème, à l'adresse du Service Après-Vente figurant au verso.

**NL**

## Garantie

GARDENA geeft op dit product 2 jaar garantie (vanaf de aankoopdatum). Deze garantie heeft betrekking op alle wezenlijke defecten aan het toestel, die aanwijsbaar op materiaal- of fabricagefouten berusten. Garantie vindt plaats door de levering van een vervangend apparaat of door de gratis reparatie van het ingestuurde apparaat, naar onze keuze, indien aan de volgende voorwaarden is voldaan:

- Het apparaat werd vakkundig en volgens de adviezen in de instructies voor gebruik behandeld.
- Noch de koper, noch een derde persoon heeft getracht het apparaat te repareren.


Deze garantie van de producent heeft geen betrekking op de ten aanzien van de handelaar/verkoper bestaande aansprakelijkheid.

Stuur in geval van garantie het defecte apparaat samen met de kassabon en een beschrijving van de storing gefrankeerd op naar het op de achterzijde aangegeven serviceadres.

**S**

## Garanti

GARDENA lämnar 2 års garanti för denna produkt. Garantin gäller från inköpsdatum. Garantin omfattar väsentliga fel på produkten

<p><b>D EU-Konformitätserklärung</b></p> <p>Der Unterzeichnete Husqvarna AB, 561 82 Huskvarna, Sweden bestätigt, dass die nachfolgend bezeichneten Geräte in der von uns in Verkehr gebrachten Ausführung die Anforderungen der harmonisierten EU-Richtlinien, EU-Sicherheitsstandards und produktspezifischen Standards erfüllen. Bei einer nicht mit uns abgestimmten Änderung der Geräte verliert diese Erklärung ihre Gültigkeit.</p>	<p><b>H EU azonosságai nyilatkozat</b></p> <p>Alulírott, Husqvarna AB, 561 82 Huskvarna, Sweden, igazolja, hogy az alább felsorolt, általunk forgalomba hozott termékek megfelelnek az EU elvárásoknak, EU biztonsági normáknak és a termékspecifikus szabványoknak egyaránt. A készülék velünk nem egyeztetett változtatása esetén ez a nyilatkozat érvényét veszti.</p>
<p><b>GB EU Certificate of Conformity</b></p> <p>The undersigned Husqvarna AB, 561 82 Huskvarna, Sweden, hereby certifies that, when leaving our factory, the units indicated below are in accordance with the harmonised EU guidelines, EU standards of safety and product specific standards. This certificate becomes void if the units are modified without our approval.</p>	<p>Bezeichnung des Gerätes: Blumenkastenbewässerung  Description of the unit: Flower Box Watering Set  Désignation du matériel : Arrosoir automatique balcons et terrasses</p> <p>Omschrijving van het apparaat: Bloembakbesproeiingsset  Produktbeskrivning: Blomládebevatning  Descrizione del prodotto: Idrokit per fioriere  Descripción de la mercancía: Riego para jardineras  Descrição do aparelho: Conjunto de rega para canteiros  Opis urządzenia: Automatyecznej konewki do roślin balkonowych</p> <p>Označení přístroje: Zavlažování květinových truhlíků  Označenie prístroja: Zavlažovanie dlhých kvetináčov  A készülék megnevezése: Erkélyláda öntözés</p>
<p><b>F Certificat de conformité aux directives européennes</b></p> <p>Le constructeur, soussigné : Husqvarna AB, 561 82 Huskvarna, Sweden, déclare qu'à la sortie de ses usines le matériel neuf désigné ci-dessous était conforme aux prescriptions des directives européennes énoncées ci-après et conforme aux règles de sécurité et autres règles qui lui sont applicables dans le cadre de l'Union européenne. Toute modification portée sur ce produit sans l'accord express de GARDENA supprime la validité de ce certificat.</p>	<p>Art.-Nr.: Art. Nº:  Art. No.: Art. Nº:  Référence : Nr art.: 1407  Art. nr.: Č. výr:  Art.nr.: Č. výr:  Art. : Cikkszám:</p>
<p><b>NL EU-overeenstemmingsverklaring</b></p> <p>Ondergetekende Husqvarna AB, 561 82 Huskvarna, Sweden, bevestigt, dat het volgende genoemde apparaat in de door ons in de handel gebrachte uitvoering voldoet aan de eis van, en in overeenstemming is met de EU-richtlijnen, de EU-veiligheidsstandaard en de voor het product specifieke standaard. Bij een niet met ons afgestemde verandering aan het apparaat verliest deze verklaring haar geldigheid.</p>	<p>EU-Richtlijnen: Normativa UE:  EU directives: Directrices da UE:  Directives européennes: Dyrektywy UE:  EU-richtlijnen: Směrnice UE:  EU direktiv: Smernice EU:  Directive UE: EU szabványok:  2006/42/EC 2006/95/EC  2004/108/EC 93/68/EC</p>
<p><b>S EU Tillverkarintyg</b></p> <p>Undertecknad firma Husqvarna AB, 561 82 Huskvarna, Sweden, intygar härmed att nedan nämnda produkter överensstämmer med EU:s direktiv, EU:s säkerhetsstandard och produktspecifikation. Detta intyg upphör att gälla om produkten ändras utan vårt tillstånd.</p>	<p>Anbringningsjahr der CE-Kennzeichnung: Colocação del distintivo CE:  Year of CE marking: Ano de marcação pela CE:  Date d'apposition du marquage CE: Rok nadania znaku CE:  Installatiejaar van de CE-aanduiding: Rok pridelenia značky CE:  CE-Märkningsår: Rok pridelenia označenia CE:  Anno di rilascio della certificazione CE: CE bejegyzés kelte:</p> <p>1998</p>
<p><b>I Dichiarazione di conformità alle norme UE</b></p> <p>La sottoscritta Husqvarna AB, 561 82 Huskvarna, Sweden, certifica che il prodotto qui di seguito indicato, nei modelli da noi commercializzati, è conforme alle direttive armonizzate UE nonché agli standard di sicurezza e agli standard specifici di prodotto. Qualunque modifica apportata al prodotto senza nostra specifica autorizzazione invalida la presente dichiarazione.</p>	<p>Ulm, den 06.08.1998 Der Bevollmächtigte  Ulm, 06.08.1998 Authorised representative  Fait à Ulm, le 06.08.1998 Représentant légal  Ulm, 06-08-1998 Gemachtigter  Ulm, 1998.08.06. Behörig Firmatecknare  Ulm, 06.08.1998 Rappresentante autorizzato  Ulm, 06.08.1998 Representante autorizado  Ulm, 06.08.1998 Reprezentante autorizado  V Ulmu, dne 06.08.1998 Uprawniony do reprezentacji  Ulm, 06.08.1998 Zplnomocnenec  Ulm, 06.08.1998 Splnomocnenec  Ulm, 06.08.1998 Meghatalmazott</p>
<p><b>E Declaración de conformidad de la UE</b></p> <p>El que suscribe Husqvarna AB, 561 82 Huskvarna, Sweden, declara que la presente mercancía, objeto de la presente declaración, cumple con todas las normas de la UE, en lo que a normas técnicas, de homologación y de seguridad se refiere. En caso de realizar cualquier modificación en la presente mercancía sin nuestra previa autorización, esta declaración pierde su validez.</p>	<p>  Thomas Heini  Vice President</p>
<p><b>P Certificado de conformidade da UE</b></p> <p>Os abaixo mencionados Husqvarna AB, 561 82 Huskvarna, Sweden, por este meio certificam que ao sair da fábrica o aparelho abaixo mencionado está de acordo com as directrizes harmonizadas da UE, padrões de segurança e de produtos específicos. Este certificado ficará nulo se a unidade for modificada sem a nossa aprovação.</p>	
<p><b>PL Deklaracja zgodności Unii Europejskiej</b></p> <p>Niżej podpisany Husqvarna AB, 561 82 Huskvarna, Sweden, potwierdza, że poniżej opisane urządzenie w wykonaniu wprowadzonym przez nas do obrotu spełnia wymogi zharmonizowanych wytycznych Unii Europejskiej, standardów bezpieczeństwa Unii Europejskiej i standardów specyficznych dla danego produktu. W przypadku wprowadzenia zmian nie uzgodnionych z nami wyjaśnienie to traci swoją ważność.</p>	
<p><b>CZ Prohlášení o shodě EU</b></p> <p>Niže podepsaná společnost Husqvarna AB, 561 82 Huskvarna, Sweden potvrzuje, že níže označený přístroj v provedení, které jsme uvedli na trh, splňuje požadavky uvedené v harmonizovaných směrnících EU, v bezpečnostních standardech EU a ve standardech pro příslušné produkty. V případě změny přístroje, která námi nebyla odsouhlasena, stává se toto prohlášení neplatným.</p>	
<p><b>SK ES Vyhlásenie o zhode</b></p> <p>Dolu podpísaný, Husqvarna AB, 561 82 Huskvarna, Sweden, potvrdzuje, že ďalej označené zariadenie vo vyhotovení nami uvedenom do prevádzky spĺňa požiadavky harmonizovaných smerníc Európskej únie, bezpečnostných štandardov Európskej únie a štandardov špecifických pre produkt. Pri vykonaní zmien zariadenia, ktoré nie sú nami odsúhlasené, stráca toto vyhlásenie platnosť.</p>	

**Deutschland / Germany**

GARDENA GmbH  
Central Service  
Hans-Lorenser-Straße 40  
D-89079 Ulm  
Produktfragen:  
(+49) 731 490-123  
Reparaturen:  
(+49) 731 490-290  
service@gardena.com

**Albania**  
COBALT Sh.p.k.  
Rr. Sirti Kodra  
1000 Tirana

**Argentina**

Husqvarna Argentina S.A.  
Av.del Libertador 5954 –  
Piso 11 – Torre B  
(C1428ARF) Buenos Aires  
Phone: (+54) 11 5194 5000  
info.gardena@  
ar.husqvarna.com

**Armenia**

Garden Land Ltd.  
61 Tigran Mets  
0005 Yerevan

**Australia**

Husqvarna Australia Pty. Ltd.  
Looked Bag 5  
Central Coast BC  
NSW 2252  
Phone: (+61) (0) 2 4352 7400  
customer.service@  
husqvarna.com.au

**Austria / Österreich**

Husqvarna Austria GmbH  
Consumer Products  
Industriezeile 36  
4010 Linz  
Tel.: (+43) 732 77 01 01 - 90  
consumer.service@  
husqvarna.at

**Azerbaijan**

Firm Progress  
A. Aliyev Str. 26A  
1052 Baku

**Belgium**

GARDENA Belgium NV/SA  
Sterrebeekstraat 163  
1930 Zaventem  
Phone: (+32) 2 720 92 12  
Mail: info@gardena.be

**Bosnia / Hercegovina**

SILK TRADE d.o.o.  
Industrijska zona Bukva bb  
74260 Tešanj

**Brazil**

Husqvarna do Brasil Ltda  
Av. Francisco Matarazzo,  
1400 – 19º andar  
São Paulo – SP  
CEP: 05001-903  
Tel.: 0800-112252  
marketing.br.husqvarna@  
husqvarna.com.br

**Bulgaria**

Хускварна България ЕООД  
Бул. „Андрей Ляпчев“ № 72  
1799 София  
Тел.: (+359) 02/9753076  
www.husqvarna.bg

**Canada / USA**

GARDENA Canada Ltd.  
7530S Canada Ltd.  
100 Summerlea Road  
Brampton, Ontario L6T 4X3  
Phone: (+1) 905 792 9330  
info@gardenacanada.com

**Chile**

Maquinarias Agroforestales  
Ltda. (Maga Ltda.)  
Santiago, Chile  
Avda. Chesterton  
# 8355 comuna Las Condes  
Phone: (+56) 2 202 4417  
Dalton@maga.cl  
Zipcode: 7560330

Tamuco, Chile

Avda. Valparaíso # 01466  
Phone: (+56) 45 222 126  
Zipcode: 4780441

**China**

Husqvarna (China) Machinery  
Manufacturing Co., Ltd.  
No. 1355, Jia Xin Rd.,  
Ma Lu Zhen, Jia Ding Dist.,  
Shanghai  
201801  
Phone: (+86) 21 59159629  
Domestic Sales  
www.gardena.com.cn

**Colombia**

Husqvarna Colombia S.A.  
Calle 18 No. 68 D-31, zona  
Industrial de Montevideo  
Bogotá, Cundinamarca  
Tel. 571 2922700 ext. 105  
jairo.salazar@  
husqvarna.com.co

**Costa Rica**

Compania Exim  
Euroberoamericana S.A.  
Los Colegios, Moravia,  
200 metros al Sur del Colegio  
Saint Francis – San José  
Phone: (+506) 297 6883  
exim\_euro@racsa.co.cr

**Croatia**

SILK ADRIA d.o.o.  
Josipa Lončara 3  
10090 Zagreb  
Phone: (+385) 1 3794 580  
silk.adria@zg-t-com.hr

**Cyprus**

Med Marketing  
17 Digeni Akritia Ave  
P.O. Box 27017  
1641 Nicosia

**Czech Republic**

Husqvarna Česko s.r.o.  
Tůrkova 2319/5b  
149 00 Praha 4 – Chodov  
Bezpłatná infolinika:  
800 100 425  
servis@cz.husqvarna.com

**Denmark**

GARDENA / Husqvarna  
Consumer Outdoor Products  
Salgsafdelning Danmark  
Box 9003  
S-200 39 Malmö  
info@gardena.dk

**Dominican Republic**

BOSQUESA, S.R.L  
Carretera Santiago Licey  
Km. 5 ½  
Esquina Copal II,  
Santiago, Dominican Republic  
Phone: (+809) 736-0333  
joserbosquesa@claro.net.do

**Ecuador**

Husqvarna Ecuador S.A.  
Arupos E1-181 y 10 de Agosto  
Quito, Pichincha  
Tel. (+593) 22800739  
francisco.jacome@  
husqvarna.com.ec

**Estonia**

Husqvarna Eesti OÜ  
Consumer Outdoor Products  
Kesk tee 10, Aaviku küla  
Rae vald  
Harju maakond  
7530S Estonia  
kontakt.etj@husqvarna.ee

**Finland**

Oy Husqvarna Ab  
Consumer Outdoor Products  
Lauttarhankatu 8 B / PL 3  
00581 HELSINKI  
info@gardena.fi

**France**

GARDENA France  
Immeuble Exposit  
9-11 allée des Pierres Mayettes  
ZAC des Barbaniers, B.P. 99  
-F- 92232 GENNEVILLIERS  
cedex  
Tel.: (+33) 01 40 85 30 40  
service.consommateurs@  
gardena.fr

**Georgia**

AJD Group  
Belashvili 8  
1159 Tbilisi

**Great Britain**

Husqvarna UK Ltd  
Preston Road  
Aycliffe Industrial Park  
Newton Aycliffe  
County Durham  
DL5 6UP  
info.gardena@  
husqvarna.co.uk

**Greece**

HUSQVARNA ΕΛΛΑΣ Α.Ε.Β.Ε.  
Υπ. Πλ. Ηρόδοτου 33Α  
Βλ. Πλ. Κορωπίου  
194 00 Κορωπί Αττικής  
V.A.T. EL094094640  
Phone: (+30) 210 6620225  
info@husqvarna-consumer.gr

**Hungary**

Husqvarna Magyarország Kft.  
Ezred u. 1-3  
1044 Budapest  
Telefon: (+36) 1 251-4161  
vevo@szolgalt.husqvarna@  
husqvarna.hu

**Iceland**

O. Johnson & Kaaber  
Tunguhalsi 1  
110 Reykjavik  
ojo@ojk.is

**Ireland**

Husqvarna UK Ltd  
Preston Road  
Aycliffe Industrial Park  
Newton Aycliffe  
County Durham  
DL5 6UP  
info.gardena@  
husqvarna.co.uk

**Italy**

Husqvarna Italia S.p.A.  
Via Como 72  
23868 VALMADRERA (LC)  
Phone: (+39) 0341.203.111  
info@gardenaitalia.it

**Japan**

KAUKIUCHI Co. Ltd.  
Sumitomo Realty &  
Development Kojimachi  
BLDG., 8F  
5-1 Nibanncyo  
Chiyoda-ku  
Tokyo 102-0084  
Phone: (+81) 33264 4721  
m. ishihara@kaku-ichi.co.jp

**Kazakhstan**

LAMED Ltd.  
155/1, Tazhibayevoi Str.  
050060 Almaty  
IP Schmidt  
Abayevane 3B  
110 005 Kostanay

**Kyrgyzstan**

Alye Maki  
av. Molodaya Guardir J 3  
720014  
Bishkek

**Latvia**

Husqvarna Latvija  
Consumer Outdoor Products  
Bakūži iela 6  
LV-10224 Rīga  
info@husqvarna.lv

**Lithuania**

UAB Husqvarna Lietuva  
Consumer Outdoor Products  
Atleities pl. 77C  
LT-52104 Kaunas  
centras@husqvarna.lt

**Luxembourg**

Magasin Jules Neuberg  
39, rue Jacques Stas  
Luxembourg-Gasperich 2549  
-F- 92232 GENNEVILLIERS  
Case Postale No. 12  
Luxembourg 2010  
Phone: (+352) 40 14 01  
api@neuberg.lu

**Mexico**

AFOSA  
Av. Lopez Mateos Sur # 5019  
Col. La Calma 45070  
Zapopan, Jalisco  
Mexico  
Phone: (+52) 33 3818-3434  
cornejo@afosa.com.mx

**Moldova**

Convel S.R.L.  
290A Muncesti Str.  
2002 Chisinau

**Netherlands**

GARDENA Nederland B.V.  
Postbus 50176  
1305 AD ALMERE  
Phone: (+31) 36 521 00 00  
info@gardena.nl

**Neth. Antilles**

Jonka Enterprises N.V.  
Sta. Rosa Weg 196  
P.O. Box 8200  
Curaçao  
Phone: (+599) 9 767 66 55  
pgm@jonka.com

**New Zealand**

Husqvarna New Zealand Ltd.  
PO Box 76-437  
Manukau City 2241  
Phone: (+64) (0) 9 9202410  
support.nz@husqvarna.co.nz

**Norway**

GARDENA  
Husqvarna Consumer  
Outdoor Products  
Salgskontor Norge  
Klevveien 6  
1540 Vestby  
info@gardena.no

**Peru**

Husqvarna Perú S.A.  
Jr. Ramón Cárcamo 710  
Lima 1  
Tel: (+51) 1 3320 400 ext. 416  
juan.rumozgo@  
husqvarna.com

**Poland**

Husqvarna  
Poland Spółka z o.o.  
ul. Wysockiego 15 b  
03-371 Warszawa  
Phone: (+48) 22330 96 00  
gardena@husqvarna.com.pl

**Portugal**

Husqvarna Portugal, SA  
Lagoa - Albarraque  
2635 - 595 Rio de Mouro  
Tel.: (+351) 21 922 85 30  
Fax : (+351) 21 922 85 36  
info@gardena.pt

**Romania**

Madex International Srl  
Soseaua Odaii 117 - 123,  
RO 013603  
Bucuresti, S1  
Phone: (+40) 21 352.76.03  
madex@ines.ro

**Russia**

ООО „Хускварна“  
141000, Московская обл.,  
г. Химки,  
улица Ленинградская,  
владение 39, стр.6  
Бизнес Центр  
„Химки Бизнес Парк“,  
помещение OB02\_04

**Serbia**

Domel d.o.o.  
Autoput za Novi Sad bb  
11273 Belgrade  
Phone: (+381) 11 18 48 88 12  
miroslav.jejina@domel.rs

**Uruguay**  
FELI SA  
Entre Rios 1083 CP 11800  
Montevideo - Uruguay  
Tel.: (+598) 2203 18 44  
info@felisa.com.uy

**Venezuela**  
Corporación Casa y Jardín C.A.  
Av. Caroni, Edif. Trezmen, PB.  
Colinas de Bello Monte.  
1050 Caracas.  
Tlf: (+58) 212 992 33 22  
info@casayjardin.net.ve

**Slovak Republic**

Husqvarna Česko s.r.o.  
Tůrkova 2319/5b  
149 00 Praha 4 – Chodov  
Bezpłatná infolinika:  
800 154 044  
servis@sk.husqvarna.com

**Slovenia**

Husqvarna Austria GmbH  
Consumer Products  
Industriezeile 36  
4010 Linz  
Tel.: (+43) 732 77 01 01 - 90  
consumer.service@  
husqvarna.at

**South Africa**

Husqvarna  
South Africa (Pty) Ltd  
Postnet Suite 250  
Private Bag X6  
Cascades, 3202  
South Africa  
Phone: (+27) 33 846 9700  
info@gardena.co.za

**Spain**

Husqvarna España S.A.  
C/ Basauri, nº 6  
La Florida  
28023 Madrid  
Phone: (+34) 91 708 05 00  
atencioncliente@gardena.es

**Suriname**

Agrofix n.v.  
Verlengde Hoogestraat #22  
Phone: (+597) 472426  
agrofix@sr.net  
Pobox : 2006  
Paramaribo  
Suriname – South America

**Sweden**

Husqvarna AB  
S-561 82 Huskvarna  
info@gardena.se

**Switzerland / Schweiz**

AGW  
Consumer Products  
Industriestrasse 10  
5506 Mägenwil  
Phone: (+41) (0) 848 800 464  
info@gardena.ch

**Turkey**

GARDENA Dost Diş Ticaret  
Müessesilik A.Ş.  
Sanayi Cad. Adil Sokak  
No: 1/B Kartal  
34873 İstanbul  
Phone: (+90) 216 38 93 939  
info@gardena-dost.com.tr

**Ukraine / Україна**

ТОВ «Хусварна Україна»  
вул. Васильківська, 34,  
одіс 204-р  
03022, Київ  
Тел. (+38) 044 498 39 02  
info@gardena.ua

**Uruguay**

FELI SA  
Entre Rios 1083 CP 11800  
Montevideo - Uruguay  
Tel.: (+598) 2203 18 44  
info@felisa.com.uy

**Venezuela**

Corporación Casa y Jardín C.A.  
Av. Caroni, Edif. Trezmen, PB.  
Colinas de Bello Monte.  
1050 Caracas.  
Tlf: (+58) 212 992 33 22  
info@casayjardin.net.ve

1407-20.960.10/0213

@GARDENA

Manufacturing GmbH  
D-89070 Ulm  
http://www.gardena.com