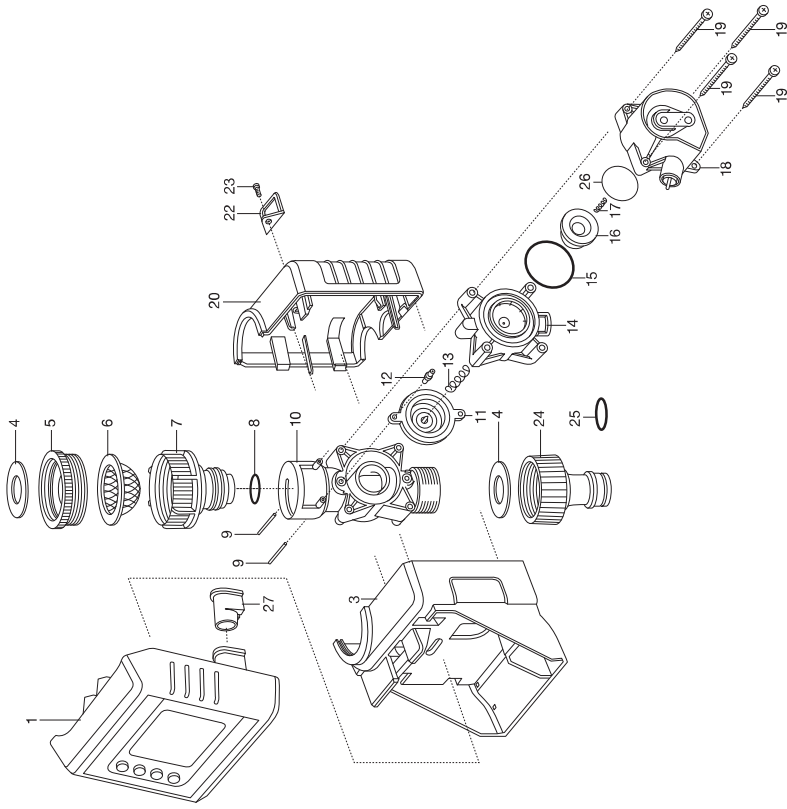
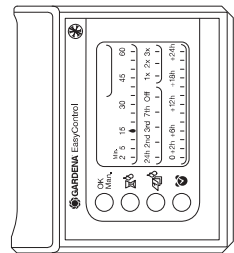


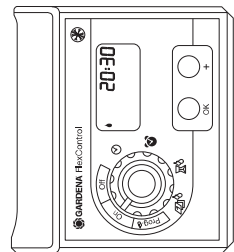
GARDENA Bewässerungscomputer EasyControl Art.-Nr.1881
 Bewässerungscomputer FlexControl Art.-Nr.1883
 Bewässerungscomputer SelectControl Art.-Nr.1885



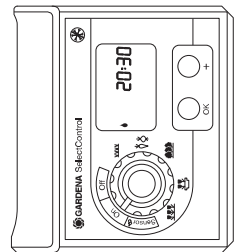
Art.-Nr.1881



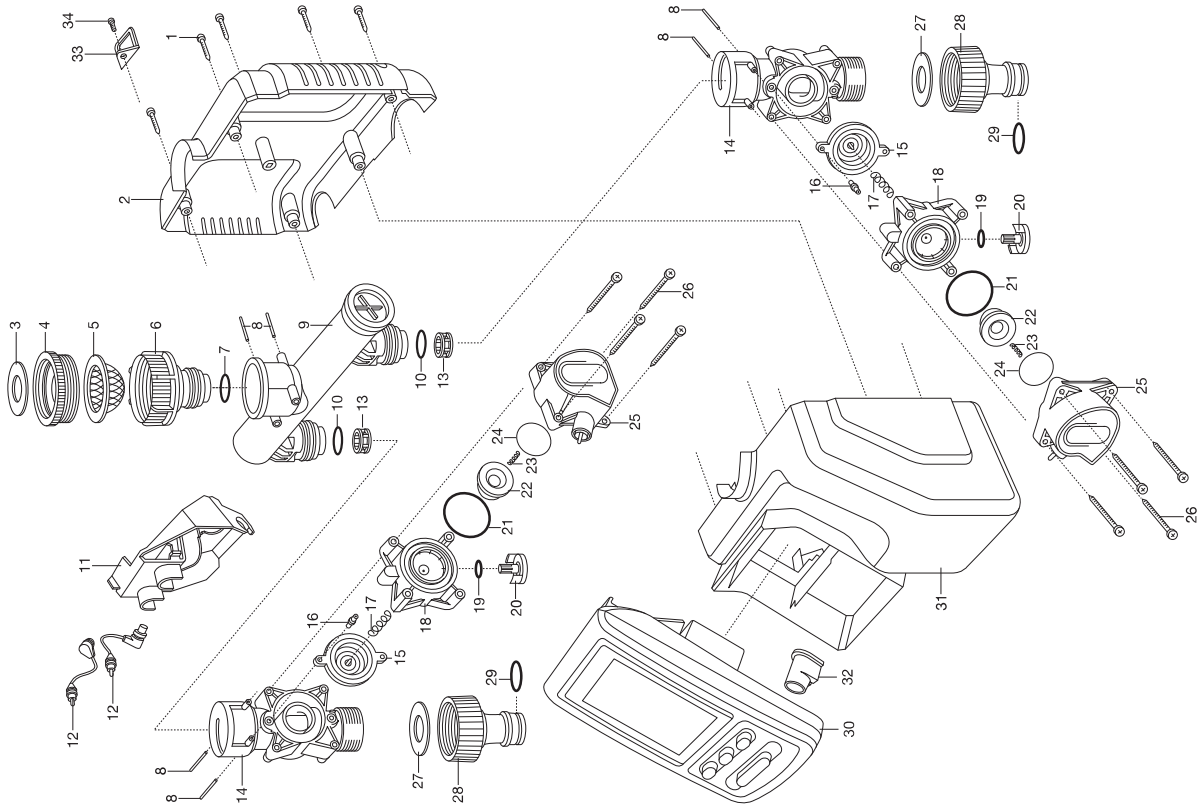
Art.-Nr.1883



Art.-Nr.1885



GARDENA Bewässerungscomputer C 2030 duo plus / Multi Control Duo Art.-Nr. 1874



KEES VAN DER SPEK
 TUINMACHINES * STOLWIJK

| Bild Nr. Picture No. | Ersatzteil-Nr. Spare Part No. | Bezeichnung | Description | Désignation |
|-------------------------|----------------------------------|--|--|---|
| Art. 1874 | | Bewässerungscomputer C 2030 duo plus / MultiControl Duo | Water Computer C 2030 duo plus / MultiControl Duo | Programmateur C 2030 duo plus / MultiControl Duo |
| 1 | 8839-00.600.04 | STS-Schraube T35x20 | STS-Screw T35x20 | STS-Vis T35x20 |
| 1-26,31 | 1874-00.700.00 | Hydraulikventil m. Gehäuse | Hydraulic valve with case | Soupape hydraulique avec carter |
| 2 | 1874-00.600.11 | Gehäuse hinten | Case back | Carter arrière |
| 3 | 1121-00.000.01 | Flachdichtung 25,1/16x3 (3/4") | Washer 25,1/16x3 (3/4") | Joint plat 25,1/16x3 (3/4") |
| 4 | 924-00.500.00 | Adapter 1" – 3/4", kpl., hellgrau | Adapter 1" – 3/4", cpl., light grey | Adaptateur 1" – 3/4", cpl., gris clair |
| 5 | 1815-00.614.00 | Sieb, vollst. | Filter, cpl. | Filtre, cpl. |
| 6 | 1210-00.600.61 | Anschlusschülse | Conductor barrel | Douille de raccord |
| 6-9 | 1874-00.710.00 | Verteilerrohr | Distributor tube | Distributeur tuyau |
| 7,10 | 964-00.505.04 | O-Ring 18,4x2,7 | O-ring 18,4x2,7 | Joint torique 18,4x2,7 |
| 11 | 1874-00.600.21 | Adapter | Adapter | Adaptateur |
| 12 | 1874-00.600.26 | Kabel | Cable | Câble |
| 13 | 1815-00.610.28 | Feinfilter | Fine filter | Filtre fin |
| 13-26 | 1874-00.620.00 | Hydraulikventil vollst. | Hydraulic valve, cpl. | Soupape hydraulique, cpl. |
| 14 | 1815-00.610.01 | Ventilkörper | Valve body | Corps de soupape |
| 15 | 1815-00.617.00 | Membrane, vollst. | Diaphragm, cpl. | Diaphragme, cpl. |
| 16 | 1815-00.610.27 | Steuerdüse rot | Control nozzle rot | Buse de commande rouge |
| 16,18-20 | 1815-00.743.00 | Ventildeckel, kpl. | Valve cover, cpl. | Couvercle de soupape, cpl. |
| 17 | 1169-00.600.39 | Druckfeder, groß | Pressure spring, large | Ressort de pression, grand |
| 21 | 1672-00.600.11 | O-Ring 24x2 | O-ring 24x2 | Joint torique 24x2 |
| 22 | 1174-00.618.00 | Magnetplatte, vollst. | Magnetic plate, cpl. | Clapet magnétique, cpl. |
| 23 | 1174-00.610.12 | Druckfeder, klein | Pressure spring, small | Ressort de pression, petit |
| 24 | 1815-00.610.38 | Mylar-Folie rund, 4 Typ A, 50 µm | Mylar foil round, typ A, 50 µm | Feuille mylar rond, 4 typ A, 50 µm |
| 27-29 | 18201-00.600.00 | Hahnstück, kpl. 3/4" | Tap connector, cpl. 3/4" | Nez de robinet, cpl. 3/4" |
| 29 | 18300-00.600.16 | O-Ring 10,5x2,7 | O-ring 10,5x2,7 | Joint torique 10,5x2,7 |
| 30 | 1874-00.510.00 | Steuerteil, vollst. | Control component, cpl. | Boite de commande, cpl. |
| 31 | 1874-00.600.16 | Gehäuse vorne | Case front | Carter avant |
| 32 | 1860-00.610.36 | Kappe | Cap | Capuchon |
| 33,34 | 1815-00.791.00 | Diebstahlsicherung, kpl. | Anti-theft device, cpl. | Antivol, cpl. |
| | | <u>bis Baujahr 2013</u> | <u>until 2013</u> | <u>jusqu'à 2013</u> |
| 30 | 1874-00.610.00 | Steuerteil, vollst. | Control component, cpl. | Boite de commande, cpl. |



| | | | | |
|------------------|-----------------|--|---|---|
| Art. 1881 | | Bewässerungscomputer EasyControl | Water Computer EasyControl | Programmateur EasyControl |
| | | <u>bis Baujahr 2018</u> | <u>until 2018</u> | <u>jusqu'à 2018</u> |
| 1 | 1881-00.510.00 | Steuerteil, vollst. | Control component, cpl. | Boite de commande, cpl. |
| 3 | 1881-00.600.06 | Gehäuse vorne | Housing front | Carter avant |
| 4 | 1121-00.000.01 | Flachdichtung 25,1/16x3 (3/4") | Washer 25,1/16x3 (3/4") | Joint plat 25,1/16x3 (3/4") |
| 5,4 | 924-00.500.00 | Adapter 1" – 3/4", kpl., hellgrau | Adapter 1" – 3/4", cpl., light grey | Adaptateur 1" – 3/4", cpl., gris clair |
| 6 | 1815-00.614.00 | Sieb, vollst. | Filter, cpl. | Filtre, cpl. |
| 6-10 | 1815-00.706.00 | Ventilkörper, vollst. | Valve body, cpl. | Corps de soupape, cpl. |
| 6-19 | 1815-00.707.00 | Hydraulikventil, vollst. | Hydraulic valve, cpl. | Soupape hydraulique, cpl. |
| 3,6-20,26 | 1881-00.700.00 | Hydraulikventil m. Gehäuse | Hydraulic valve with case | Soupape hydraulique avec carter |
| 7 | 1210-00.600.61 | Anschlusschülse | Conductor barrel | Douille de raccord |
| 8 | 964-00.505.04 | O-Ring 18,4x2,7 | O-ring 18,4x2,7 | Joint torique 18,4x2,7 |
| 11 | 1815-00.617.00 | Membrane, vollst. | Diaphragm, cpl. | Diaphragme, cpl. |
| 12 | 1815-00.610.27 | Steuerdüse rot | Control nozzle rot | Buse de commande rouge |
| 12,14 | 1815-00.743.00 | Ventildeckel, kpl. | Valve cover, cpl. | Couvercle de soupape, cpl. |
| 13 | 1169-00.600.39 | Druckfeder, groß | Pressure spring, large | Ressort de pression, grand |
| 15 | 1672-00.600.11 | O-Ring 24x2 | O-ring 24x2 | Joint torique 24x2 |
| 16 | 1174-00.618.00 | Magnetplatte, vollst. | Magnetic plate, cpl. | Clapet magnétique, cpl. |
| 17 | 1174-00.610.12 | Druckfeder, klein | Pressure spring, small | Ressort de pression, petit |
| 20 | 1881-00.600.01 | Gehäuse hinten | Housing back | Carter arrière |
| 22,23 | 1815-00.791.00 | Diebstahlsicherung, kpl. | Anti-theft device, cpl. | Antivol, cpl. |
| 23 | 1174-00.600.13 | Einwegschraube B4,2x19 | Single-way screw B4,2x19 | Vis à voie unique B4,2x19 |
| 24,25,4 | 18201-00.600.00 | Hahnstück, kpl. 3/4" | Tap connector, cpl. 3/4" | Nez de robinet, cpl. 3/4" |
| 25 | 18300-00.600.16 | O-Ring 10,5x2,7 | O-ring 10,5x2,7 | Joint torique 10,5x2,7 |
| 26 | 1815-00.610.38 | Mylar-Folie rund, 4 Typ A, 50 µm | Mylar foil round, typ A, 50 µm | Feuille mylar rond, 4 typ A, 50 µm |
| 27 | 1864-00.610.36 | Schutzkappe | Protective cap | Capuchon de protection |
| Art. 1883 | | Bewässerungscomputer FlexControl | Water Computer FlexControl | Programmateur FlexControl |
| | | <u>bis Baujahr 2018</u> | <u>until 2018</u> | <u>jusqu'à 2018</u> |
| Art. 1885 | | Bewässerungscomputer SelectControl | Water Computer SelectControl | Programmateur SelectControl |
| | | <u>bis Baujahr 2018</u> | <u>until 2018</u> | <u>jusqu'à 2018</u> |
| 1 | 1883-00.510.00 | Steuerteil, vollst. | Control component, cpl. | Boite de commande, cpl. |
| 1 | 1885-00.510.00 | Steuerteil, vollst. | Control component, cpl. | Boite de commande, cpl. |
| | | Alle anderen Teile wie bei Art. 1881 | All other spare parts see art. 1881 | Pour toutes les autres pièces, voir réf. 1881 |
| | | Nur die aufgeführten Teile sind lieferbar! | Only the mentioned spare parts are available! | Seules les pièces indiquées sont disponibles! |