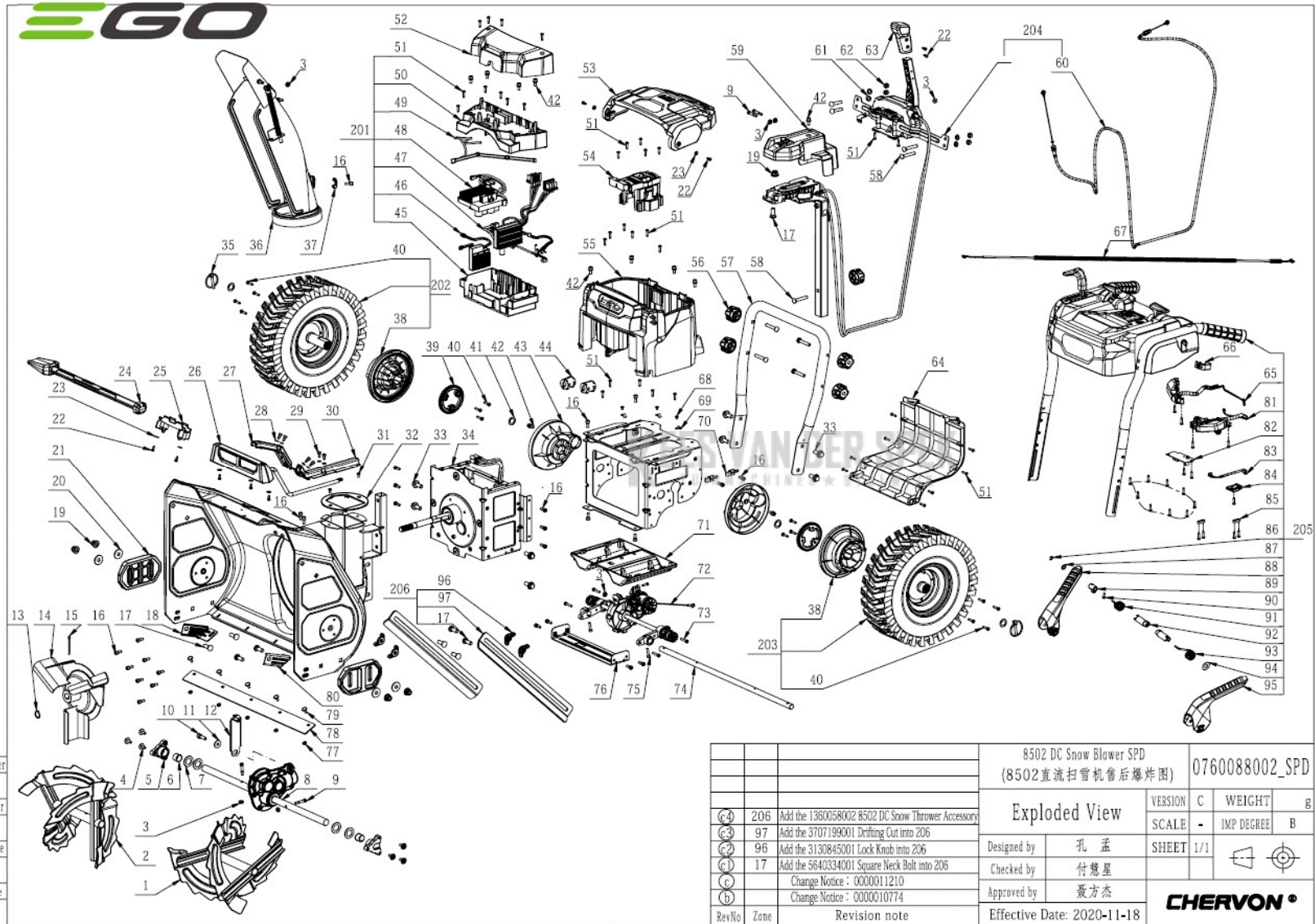


# Repair Parts\_Snow Blower\_8502(SNT2400E)



		8502 DC Snow Blower SPD (8502直流扫雪机售后爆炸图)		0760088002_SPD			
		Exploded View		VERSION	C	WEIGHT	g
				SCALE	-	IMP DEGREE	B
		Designed by	孔孟		SHEET	1/1	
		Checked by	付慧星				
		Approved by	聂方杰				
		Effective Date:	2020-11-18				
RevNo	Zone	Revision note					

- (A) 206 Add the 1360058002 8502 DC Snow Thrower Accessory
- (B) 97 Add the 3107199001 Drifting Cut into 206
- (C) 96 Add the 3130845001 Lock Knob into 206
- (D) 17 Add the 5640334001 Square Neck Bolt into 206
- (E) Change Notice : 0000011210
- (F) Change Notice : 0000010774

Index No.	Art. No.	Description	Technical Information	Tariff Code	QTY in machine	Weight (g)	Size LxWxH (mm)	MPQ
1	2826952001	Left Auger Assembly		8431498000	1	2200	275x275x266	1
2	2826951001	Right Auger Assembly		8431498000	1	2200	275x275x266	1
3	5630013003	Prevailing Torque Hexagon Nut		7318166090	7	3,5	6x6x5.7	10
4	5620563002	Flange Bolt		7318158898	6	8,5	18x18x22	10
5	3521228001	Pivot Shoe		8431498000	2	184	70x70x28.5	1
6	3130764001	Plastic Sleeve		3926909790	2	10	23x23x17	1
7	5650730001	Plain Washer		7318220098	4	12,5	34x21x2	10
8	2790532001	Front Gear Case Assembly		8483409099	1	3300	171x576x141	1
9	5670548001	Pin		8431498000	4	10	11x11x40	10
10	5620023004	Hexagon Socket Screw		7318156898	1	14	13x13x22	10
11	5650024005	Plain Washer		7318220098	1	5,5	24x8x2	10
12	3707183001	Support Plate		8431498000	1	110	130x48x44	1
13	5660297001	Circlip For Shaft		7318290090	1	1	20x20x1.2	10
14	2826953001	Impeller Assembly		8431498000	1	3000	300x300x77.5	1
15	5670545001	Split Pin		7318240090	1	7	4x4x50	10
16	5620340004	Hexagon Socket Screw		7318156898	27	5,5	10x10x22	10
17	5640334001	Square Neck Bolt		7318159590	9	20	19x19x33	10
18	3707532001	Support Plate		8431498000	1	102,6	91x43.5x80	1
19	5630267001	Nut		7318169990	5	13	20x20x13.5	10
20	5650731001	Plain Washer		7318220098	4	13	30x11x2.5	10
21		Skid Shoe	Accessory: AKS	8431498000	2	118	159x88x23	1
22	5620377003	Hexagon Socket Screw		7318156898	9	2	8x8x17	10
23	5650278002	Washer		7318210098	7	0,08	12x12x1	10
24		Shovel	Accessory: ACT	8431498000	1	240	517x60x33	1
25	3130759001	Pivot Shoe		8431498000	1	25	120x45x50.5	1
26	2827177002	LED Cover Assembly		3926909790	1	500	256x63x60	1
27	3130761001	Front Waterproof Cover		8431498000	1	19,5	172x45x65.5	1
28	5650011006	Plain Washer		7318220098	6	0,1	10x10x1	10
29	5620018005	Hexagon Socket Screw		7318156898	6	3,7	8.5x8.5x17	10
30	3130762001	Back Waterproof Cover		8431498000	1	26,5	226x45x51	1
31	5620074009	Screw		7318155898	2	2	9x9x12	10
32	3130763001	Plate		8431498000	1	23	140x140x9.5	1
33	5640226003	Flange Bolt		7318158298	8	26	22x22x34	1

34	2790552001	Motor And Gear Case Assembly		<b>8501320099</b>	1	6500	282.5x292x385	1
35	5670546001	Lock Pin		<b>7318240090</b>	2	23	6x6x42	10
36	2827178002	Chute Assembly		<b>8431498000</b>	1	2200	571x292x385	1
37	3707212001	Mounting Plate		<b>8431498000</b>	1	12,5	26x20x11	10
38	3570047001	Ring Gear		<b>8483908990</b>	2	254	170x170x85	1
39	3570046001	Gear		<b>8483908990</b>	2	140	90x90x8	10
40	5610224002	Hexagon Lobuar Screw		<b>7318149999</b>	14	3,18	9.5x9.5x27	10
41	5650272002	Washer		<b>7318220098</b>	4	0,5	25.4x25.4x0.8	10
42	5610371001	Screw and Washer Assembly		<b>7318156898</b>	11	6,5	10x10x22	10
43	3130603001	Hubcap		<b>3926909790</b>	2	86	160x160x57	1
44	3680311001	Magnet Ring		<b>8548909099</b>	2	158,4	13x30.75x39	10
45	3130592001	Support		<b>8431498000</b>	1	206	248.5x119x70	1
46	2830683001	Electric Assembly		<b>8537109899</b>	1	60	73x65x50	1
47	2830682001	Electric Assembly		<b>8537109899</b>	1	115	65x91x100	1
48	2830681001	Electric Assembly		<b>8537109899</b>	1	220	123x104.5x80	1
49	4860615002	Internal Wire ASSY		<b>8544499500</b>	1	10	125x25x25	1
50	3130591001	Cover		<b>8431498000</b>	1	308	305x83x137	1
51	5620157006	Hexagon Socket Screw		<b>7318149999</b>	57	1,95	4.2x4.2x19	10
52	3130590001	Wire Box		<b>3926909790</b>	1	106	302x121x71	1
53	2827161001	Battery Cover Assembly		<b>8431498000</b>	1	311	339x246x77	1
54	2824683002	Support ASSY		<b>3926909790</b>	1	161	145x125x102	1
55	2827493001	Battery Box Assembly		<b>8431498000</b>	1	1500	349x286x244	1
56	3130766001	Knob		<b>7318169990</b>	5	28	47x47x35	1
57	3707146001	Steel Tube		<b>8431498000</b>	1	1280	477x383x45	1
58	5640326001	Square Neck Bolt		<b>7318159590</b>	9	24	16x16x55	10
59	3130657001	Top Cover		<b>8431498000</b>	1	186	235x136x117	1
60	3650243001	Wire Rope		<b>7312108119</b>	1	600	300x300x6	1
61	5650025001	Plain Washer		<b>7318210098</b>	4	1,8	16x16x1.6	10
62	5630271001	Nut		<b>7318166090</b>	4	4,5	13x15x8.5	10
63	3130647001	Upper Handle		<b>8431498000</b>	1	100	110x50x42	1
64	3130602001	Rear Cover		<b>8431498000</b>	1	370	222x288x228	1
65	2827195001	Right Lampshade Assembly		<b>9405409990</b>	1	50	130x60x40	1
66	3130656001	Wire Holder		<b>3926909790</b>	1	5	42x40x16	1
67	4860719002	Wiring Harness		<b>8544499500</b>	1	32	160x160x30	1
68	5620037006	Screw		<b>7318155898</b>	3	0,8	8x8x9	10
69	3707137001	Mounting Plate		<b>8431498000</b>	3	2	19x9x8	10
70	3707119001	Support Plate		<b>8431498000</b>	2	16	32x30x25	1
71	3130601001	Bottom Battery Cover		<b>8431498000</b>	1	217	273x190x60.5	1

72	2827661001	Self-Propelled Unit		<b>8501310099</b>	1	3000	413x139x180	1
73	5620550002	Hexagon Socket Screw		<b>7318156898</b>	4	5,7	8.5x8.5x30	10
74	3553381001	Shaft		<b>8431498000</b>	1	945	16x16x610	1
75	5620216006	Hexagon Socket Screw		<b>7318156898</b>	2	5	9x9x30	10
76	2826854001	Support Assembly		<b>8431498000</b>	1	380	284x68x35	1
77	5630008002	Prevailing Torque Hexagon Nut		<b>7318166090</b>	5	4	13x13x5	10
78	3707182001	Scraper		<b>8431498000</b>	1	605	580x45x3	10
79	5640333001	Square Neck Bolt		<b>7318159590</b>	5	4	14x14x16	10
80	3707533001	Support Plate		<b>8431498000</b>	1	102,6	91x43.5x80	1
81	2827191001	Left Transparent Cap Assembly		<b>9405409990</b>	1	50	130x60x40	1
82	4891881002	Switch PCBA		<b>8537109899</b>	1	20	90x40x30	1
83	4860556002	Wiring Harness		<b>8544429090</b>	1	10	30x30x10	1
84	3130655001	Cover		<b>8431498000</b>	1	3,2	37.3x31.8x10.3	1
85	3120589002	Cord Anchorage		<b>3926909790</b>	2	3	8x8x25	10
86	5660139002	E Ring		<b>7318290090</b>	1	0,4	6x6x1	10
87	5650557002	Washer		<b>7318220098</b>	1	1	10x16x1.5	10
88	3403122001	Right Control Handle		<b>8431498000</b>	1	105	218x98x95	1
89	3580011001	Spindle Bush		<b>8431498000</b>	1	4,8	9.2x15x23.5	1
90	5620511003	Hexagon Socket Screw		<b>7318156898</b>	1	1	8x8x14	10
91	3660781001	Torsion Spring		<b>7320202090</b>	1	60	66x50x26	10
92	3130650001	Switch Actuator		<b>8538909999</b>	2	8,8	9x18x52.5	1
93	3660780001	Torsion Spring		<b>7320202090</b>	1	60	66x50x26	10
94	5650214001	washer		<b>7318220098</b>	1	1	12.2x26x1	10
95	3130665001	Left Control Handle		<b>8431498000</b>	1	106	218x98x95	1
96	3130845001	Lock Knob		<b>8431498000</b>	4	15	44x25x16	1
97	3707199001	Drifting Cut		<b>8431498000</b>	2	720	480x15.4x56.2	1
201	2830708002	Electric Assembly		<b>8537109899</b>	1	930,7	300x200x110	1
202	2827164004	Wheel Assembly		<b>8431498000</b>	1	2500	360x360x155	1
203	2827163004	Wheel Assembly		<b>8431498000</b>	1	2500	360x360x155	1
204	2827193002	Adjusting Handle Set		<b>8431498000</b>	1	2500	450x136x117	1
205	2827408001	Handle Assembly		<b>8431498000</b>	1	4500	748x554x429	1
206	2828294001	Drifting Cut Assembly		<b>8431498000</b>	1	1580	500x30x60	1