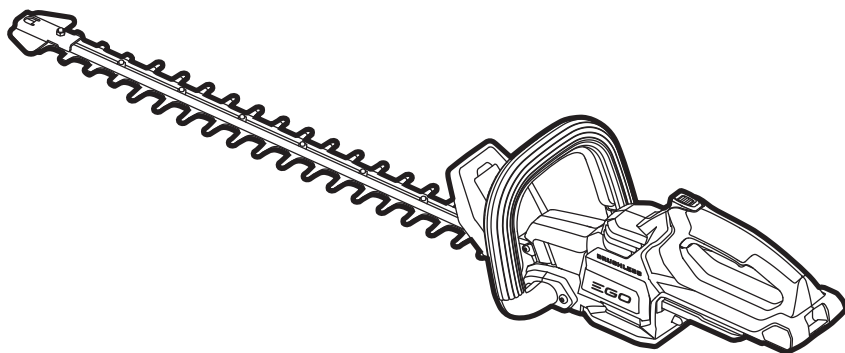


EGO™

POWER⁺ HEDGE TRIMMER



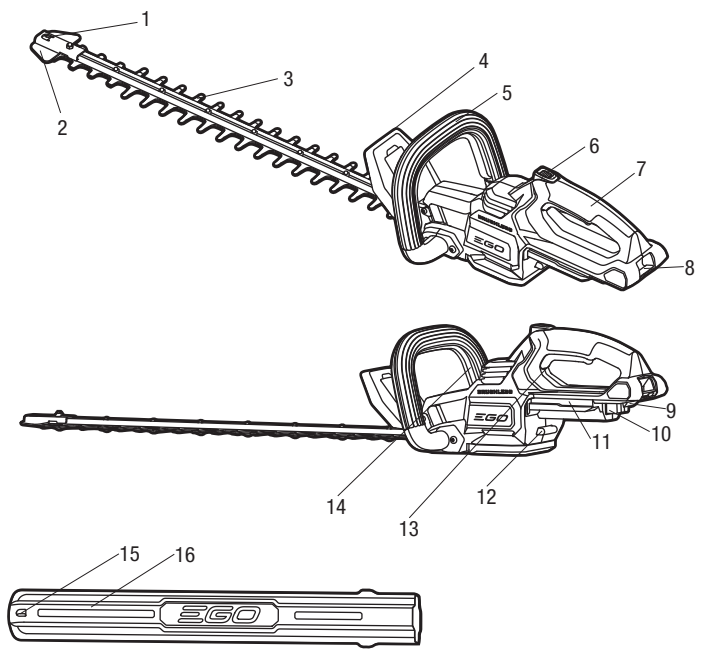
OPERATOR'S MANUAL

KEES VAN DER SPEK TUINMACHINES * 56 VOLT LITHIUM-ION CORDLESS HEDGE TRIMMER

MODEL NUMBER HT2410E/HT2000E

EN	56 Volt lithium-ion cordless hedge trimmer	4	SL	56-Voltni litij-ionski brezžični obrezovalnik žive meje	97
DE	56 Volt lithium-ionen kabellose heckenscher	9	LT	Akumulatorinis gyvatvorij žirkėlis su 56 voltų ličio jonų akumulatoriumi	102
FR	Taille-haie sans fil lithium-ion 56 v	15	LV	56 Voltu litija-jonu bezvadu dzīvzogu apgriešanas mašīna	107
ES	Cortasetos inalámbrico de 56 voltios con acumulador de ion de litio	21	GR	Ασύρματο θάμνοκοπτικό λιθίου - ιοντων 56 volt	112
PT	Corta-sebes sem fios com bateria de ião de lítio de 56 volts	27	TR	56 Volt lityum-iyon kablosuz çit düzeltici	118
IT	Tagliasiepi a batteria li-ion da 56 volt	33	ET	56-Voldise liitiumioonakuga juhtmeta hekilõikur	123
NL	56 Volt lithium-ion accuheggenschaar	39	UK	56-Вольтный литий-ионный аккумуляторный триммер для живоплота	128
DK	Ledningsfri hækkeklipper med 56 volt litium-ion batteri	44	BG	56 Волта литиево-йонна безкабелна ножица за жив плет	134
SE	56 Volts litiumjonbatteri och sladdlös häcktrimmer	49	HR	Škare za živicu s litij-ionskom baterijom 56 v	140
FI	56 Voltin litium-ion-akkukäyttöinen pensasleikkuri	54	KA	56 ვოლტის ლითიუმ-იონის აკუმულატორიანი უსადენო ბუჩქის საკრეჭი	145
NO	56 Volts litium-ion batteridrevet heksaks	59	SR	Bežični trimer za živicu sa litijum-jonskom baterijom od 56 volti	152
RU	Беспроводной кусторез с литий-ионным аккумулятором 56 в	64	BS	Akumulatorske makaze za živicu s litij-ionskom baterijom od 56 V	157
PL	Bezprzewodowe nożyce do żywopłotu z baterią litowo-jonową 56 woltów	70	HE	גוזם גדרות אלחוטי עם סוללת ליתיום-יון 56 וולט	163
CZ	56Voltové lithium-iontové akumulátorové plotové nůžky	76	AR	جزارة سياج لاسلكية ببطارية ليثيوم-أيون 56 فولت	168
SK	56 Voltové litium-iónové akumulátorové nožnice na živý plot	81			
HU	56 Voltos vezeték nélküli litium-ion sövénynyíró	86			
RO	Trimmer fără fir de tuns gard viu cu acumulator de litiu ion de 56 volți	91			

A1



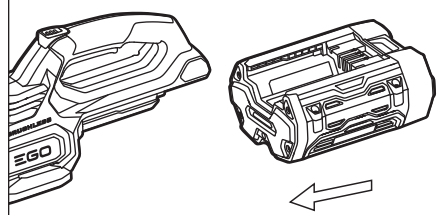
A2

HT2410E ONLY: BA1120,
BA2240E, BA3360,
HT2410E/HT2000E: BA1400,
BA2800, BA4200, BA1400T,
BA2800T, BA4200T, BA5600T,
BA2240T

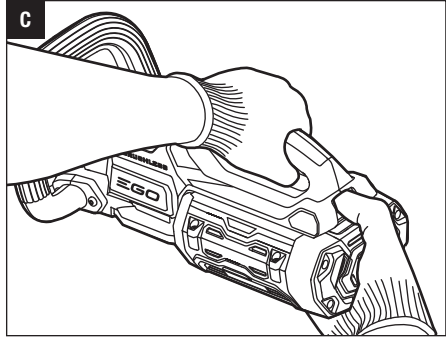
CH5500E,
CH2100E



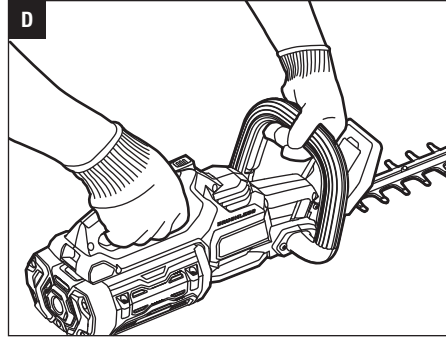
B

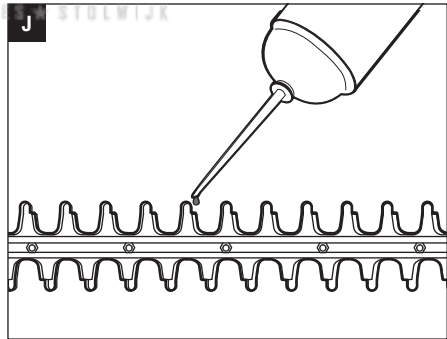
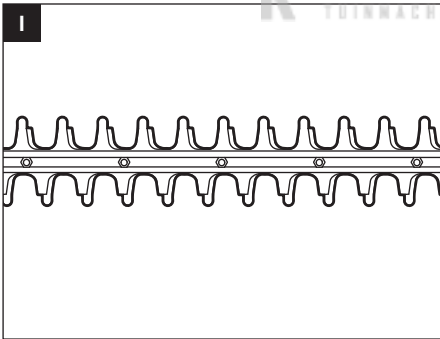
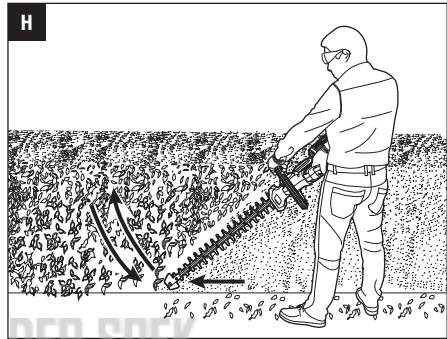
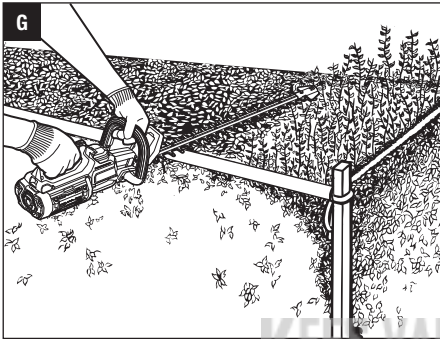
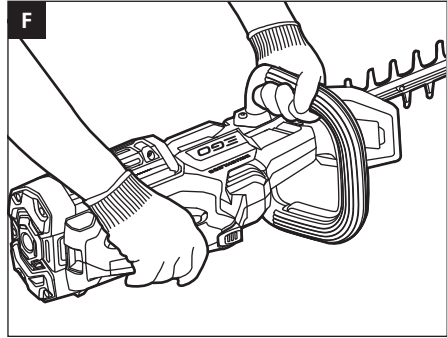
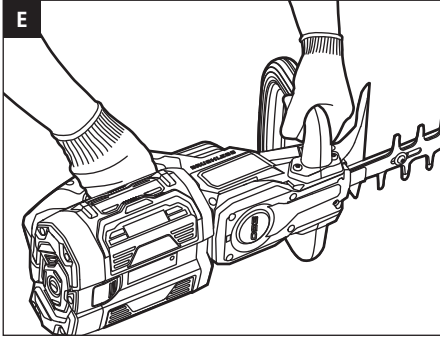


C



D





EN READ ALL INSTRUCTIONS!



READ OPERATOR'S MANUAL

⚠ WARNING: Residual risk! People with electronic devices, such as pacemakers, should consult their physician(s) before using this product. Operation of electrical equipment in close proximity to a heart pacemaker could cause interference or failure of the pacemaker.

⚠ WARNING: To ensure safety and reliability, all repairs and replacements should be performed by a qualified service technician.

SAFETY SYMBOLS

⚠ WARNING: The operation of any power tools can result in foreign objects being thrown into your eyes, which can result in severe eye damage. Before beginning power tool operation, always wear safety goggles or safety glasses with side shields and a full face shield when needed. We recommend a Wide Vision Safety Mask for use over eyeglasses or standard safety glasses with side shields.



Safety Alert



To reduce the risk of injury, user must read the operator's manual.



Do not use in the rain or leave outdoors while it is raining.



Guaranteed sound power level. Noise emission to the environment according to the European community's Directive.



This product is in accordance with applicable EC directives.



Waste electrical products should not be disposed of with household waste. Take to an authorized recycler.



Wear Eye Protection!—Always wear safety goggles or safety glasses with side shields and a full face shield when operating this product.



Never attempt to operate your power tool with one hand. Loss of control of the power tool resulting in serious or fatal injury may result. To reduce the risk of cut injuries, keep hands and feet away from the cutting tool. Never attach a moving cutting tool with your hand or any other part of your body.



The length of the blade



Max. Cutting capacity of the blade

V Voltage



Direct Current

.../min Per Minute

mm

Millimeter

cm Centimeter

n_0

No Load Speed

SPECIFICATIONS

Model		HT2410E	HT2000E
Voltage		56 V ---	56 V ---
No-Load Speed		1500 /min	1500 /min
Blade Length		61 cm	51 cm
Cutting Capacity		26 mm	25 mm
Weight (without battery pack)		3.1 kg	2.9 kg
Recommended Operating Temperature		0°C-40°C	0°C-40°C
Recommended Storage Temperature		-20°C-70°C	-20°C-70°C
Measured sound power level L_{WA}		94.47 dB(A) K=1.5 dB(A)	91.24 dB(A) K=1.03 dB(A)
Sound pressure level at operator's position L_{PA}		83.9 dB(A) K=3.0 dB(A)	80.62 dB(A) K=3.0 dB(A)
Guaranteed sound power level L_{WA} (according to 2000/14/EC)		96 dB(A)	92 dB(A)
Vibration a_h	Front Handle	1.8 m/s ² K=1.5 m/s ²	2.195 m/s ² K=1.5 m/s ²
	Rear Handle	1.7 m/s ² K=1.5 m/s ²	1.836 m/s ² K=1.5 m/s ²

- The declared vibration total value has been measured in accordance with a standard test method and may be used for comparing one tool with another;
- The declared vibration total value may also be used in a preliminary assessment of exposure.

NOTICE: The vibration emission during actual use of the power tool can differ from the declared value in which the tool is used; In order to protect the operator, user should wear gloves and ear protectors in the actual conditions of use.

PACKING LIST (FIG. A1)

DESCRIPTION

KNOW YOUR HEDGE TRIMMER (Fig. A1)

- Hanging hole
- Tip protector
- Blade
- Hand guard
- Front handle
- Lock-off button
- Rear handle
- Battery-release button
- Latch
- Electric contacts
- Battery-mounting slot
- Batter-ejection
- Rear switch lever
- Front switch lever
- Hanging hole
- Blade guard

⚠ WARNING: This product has been shipped completely assembled. The hand guard shall never be removed during use. Once damaged, replace it immediately by a qualified service technician.

⚠ WARNING: The safe use of this product requires an understanding of the information on the tool and in this operator's manual, as well as knowledge of the project you are attempting. Before use of this product, familiarize yourself with all operating features and safety rules.

OPERATION

⚠ WARNING: Do not allow familiarity with this product to make you careless. Remember that a careless fraction of a second is sufficient to inflict serious injury.

⚠ WARNING: Always wear eye protection with side shields, along with hearing protection. Failure to do so could result in objects being thrown into your eyes and other possible serious injuries.

⚠ WARNING: To prevent accidental starting that could cause serious personal injury, always remove the battery pack from the tool when assembling parts, making adjustments, cleaning, or when not in use.

⚠ WARNING: Do not use any attachments or accessories not recommended by EGO™. The use of attachments or accessories not recommended can result in serious personal injury.

Before each use, inspect the entire product for damaged, missing, or loose parts, such as screws, nuts, bolts, caps, etc. Tighten securely all fasteners and caps and do not operate this product until all missing or damaged parts are replaced.

APPLICATION

HT2410E: You may use this product for trimming the hedges, shrubs and bushes with a branch diameter of less than ø26mm (HT2410E) / ø25mm (HT2000E).

NOTICE: The tool is to be used only for its prescribed purpose. Any other use is deemed to be a case of misuse.

INSTALLING/REMOVING THE BATTERY PACK

Use only with battery packs and chargers listed in fig.A2.

Charge before first use.

To Install (Fig. B)

Align the battery ribs with the mounting slots and press the battery pack down until you hear a “click”.

To Remove (Fig. C)

Depress the battery-release button and pull the battery pack out.

⚠ WARNING: Always be aware for the location of your feet, children, or pets when pressing the battery-release button. Serious injury could result if the battery pack falls. NEVER remove the battery pack at a high location.

HOLDING THE HEDGE TRIMMER (Fig. D, E & F)

The unit has both a front and rear handle. With the blade directed away from you, hold the unit by both handles. The switch lever in the front handle can be activated on any of the three sides, giving you many choices for a comfortable grip when performing cutting operations.

⚠ WARNING: Always keep both hands on the hedge trimmer handles. Never hold shrubs with one hand while operating the hedge trimmer with the other hand. Failure to heed this warning may result in serious injury.

STARTING/STOPPING THE HEDGE TRIMMER

Before operating, remove the shield and hold the trimmer with both hands, one hand on the rear handle and the other on the front handle. Then check for stable footing, upright standing and a proper cutting distance.

To Start

1. Install the battery pack.
2. Depress and hold the switch lever in the front handle with one hand.
3. Press and hold the lock-off button with the thumb of your other hand, then squeeze the rear switch lever with your fingers to start the hedge trimmer. Release the lock-off button and continue to squeeze the trigger for continued operation.

To Stop

Move the hedge trimmer away from the cutting area and release the rear switch lever to stop the hedge trimmer.

⚠ WARNING: Always remove the battery pack from the hedge trimmer during work breaks and after finishing work.

USING THE HEDGE TRIMMER

⚠ WARNING: If the blade jams on any electrical cord or line, **DO NOT TOUCH THE BLADE! IT CAN BECOME ELECTRICALLY LIVE AND VERY DANGEROUS.** Continue to hold the hedge trimmer by the insulated rear handle or lay it down and away from you in a safe manner. Disconnect the electrical service to the damaged line or cord before attempting to free the blade from the line or cord. Failure to heed this warning will result in serious personal injury or possible death.

⚠ WARNING: Avoid trimming too much at one time or through the heavy shrubbery. This can cause the blades to bind and slow, reducing the cutting efficiency.

NOTICE: The trimmer shall be used to cut stems less than (26mm) thick.

NOTICE: For new growth, a wide sweeping is suitable for the stems fed directly into the cutting blade. For older growth, a sawing movement is good for trimming the thicker stems. A non-powered hand saw or pruning saw is suggested for trimming the large stems first.

Top Cutting

Use a wide sweeping motion. A slight downward tilt of the cutting blades in the direction of motion gives the best cutting results. For better cutting effect, you might as well use the string to guide the hedge level as Fig. G shown.

Side Cutting

When trimming the sides of the hedge, begin at the bottom and cut upwards as Fig. H shown. Trim the side of a hedge so that it will be slightly narrower at the top. This shape will expose more of the hedge to sunlight, resulting in a more uniform growth.

MAINTENANCE

⚠ WARNING: When servicing, use only identical replacement parts. Use of any other parts may create a hazard or cause product damage. To ensure safety and reliability, all repairs should be performed by a qualified service technician.

⚠ WARNING: To avoid serious personal injury, always remove the battery pack from the product when cleaning or performing any maintenance.

CLEANING

- Use a soft brush to remove debris from all air intakes and cutting blade.
- To remove pitch and other sticky residue, spray the blades with resin solvent. Run the motor briefly so that the solvent is evenly distributed.
- Wipe the surface with a dry cloth.

⚠ WARNING: Never use water for cleaning your trimmer. Avoid using solvents when cleaning plastic parts. Most plastics are susceptible to damage from various types of commercial solvents. Use clean clothes to remove dirt, dust, oil, grease, etc.

SHARPENING THE CUTTING BLADE

1. Start and stop your hedge trimmer until the cutter blade and the guard are slightly offset, as shown in Fig. I. This will allow clearance for the file between cutter teeth and guard teeth.
2. Remove the battery pack from your hedge trimmer.
3. Clamp the blade assembly in a vise and file the exposed cutting surface of each blade tooth. Remove as little material as possible. Be sure to retain the original angle of each tooth when filing.
4. Remove the hedge trimmer from the vise; restart it and stop it to expose the unsharpened edges of the blade teeth.
5. Remove the battery pack and repeat the sharpening procedure above.

NOTICE: Do not operate your hedge trimmer with dull or damaged cutting blades. This may cause overload and will give unsatisfactory cutting results.

LUBRICATING THE BLADE (Fig. J)

For best operation and longer blade life, lubricate the hedge trimmer blade with light weight machine oil before and after each use.

Remove the battery pack and lay the trimmer onto a flat surface. Apply the oil along the edge of the top blade.

NOTICE: For extended using period, oil the blade during cutting operation.

⚠ WARNING: Do not oil while the hedge trimmer is running.

TRANSPORTING AND STORING

- Always place the shield on the blade before storing or transporting the hedge trimmer. Use caution to avoid the sharp teeth of the blade.

- Clean the hedge trimmer thoroughly before storing.
- Store the hedge trimmer indoors, in a dry place that is inaccessible to children.
- Keep away from corrosive agents such as garden chemicals and deicing salts.

⚠ WARNING: Blades are sharp. When handling the blade assembly, wear non-slip, heavy-duty protective gloves. Do not place your hand or fingers between blades or in any position where they could get pinched or cut. NEVER touch blades or service the unit with battery pack installed.

Protecting the environment



Do not dispose of electrical equipment, used battery and charger into household waste! Take this product to an authorized recycler and make it available for separate collection. Electric tools must be returned to an environmentally compatible recycling facility.

EN TROUBLESHOOTING

PROBLEM	CAUSE	SOLUTION
Hedge trimmer doesn't work.	<ul style="list-style-type: none"> ■ The battery pack is not attached to the hedge trimmer. ■ No electrical contact between the trimmer and battery ■ The battery pack is depleted. ■ The battery pack is too hot. ■ The hedge trimmer is too hot. ■ The front and rear switch levers are not depressed simultaneously. ■ The blade is jammed. 	<ul style="list-style-type: none"> ■ Attach the battery pack to the hedge trimmer. ■ Remove battery, check contacts and reinstall the battery pack. ■ Charge the battery pack. ■ Remove the battery pack from the tool and allow it to cool until the temperature drops below 67°C. ■ Release both switch levers; allow the trimmer to cool until the temperature drops to normal temperature. ■ Press the lock-off button first and then press the switch levers in the front and rear handle simultaneously. ■ Remove the battery pack from the tool, remove the obstruction carefully, then reinsert the battery and restart the tool.
Excessive vibration or noise.	<ul style="list-style-type: none"> ■ Dry or corroded blades. ■ Blades or blade support is bent. ■ Bent or damaged teeth. ■ Loose blade bolts. 	<ul style="list-style-type: none"> ■ Lubricate the blades, following the section "LUBRICATING THE BLADE" in this manual. ■ Replace with a new blade or support. Contact EGO service center for blade or support replacement service. ■ Replace with a new blade. Contact EGO service center for blade replacement service. ■ Tighten the blade bolts. Using a wrench, turn the bolt clockwise to tighten.

WARRANTY

EGO WARRANTY POLICY

Please visit the website egopowerplus.com for full terms and conditions of the EGO Warranty policy.

ALLE ANWEISUNGEN LESEN!



LESEN SIE DIE BETRIEBSANLEITUNG

DE

! WARNUNG: Restrisiko! Menschen mit elektronischen Geräten, wie z.B. Herzschrittmachern, sollten ihren Arzt konsultieren, bevor sie dieses Gerät verwenden. Die Bedienung von Elektrogeräten in unmittelbarer Nähe zu Herzschrittmachern kann zu Interferenzen und Störungen des Schrittmachers führen.

! WARNUNG: Um die Sicherheit und Zuverlässigkeit zu gewährleisten, sollten alle Reparaturen und der Austausch von Teilen nur von qualifizierten Servicetechnikern durchgeführt werden.

WARNSYMBOL

! WARNUNG: Beim Betrieb von Elektrowerkzeugen besteht die Gefahr, dass Fremdkörper in Ihre Augen geschleudert werden und Sie dadurch schwerwiegende Augenschäden davontragen. Tragen Sie immer eine Schutzbrille, wenn möglich mit Seitenschutz, oder, falls nötig, einen vollen Gesichtsschutz, bevor Sie Arbeiten mit dem Elektrowerkzeug verrichten. Wir empfehlen Ihnen, einen Gesichtsschutz über Ihrer eigenen Brille oder eine herkömmliche Schutzbrille mit Seitenschutz zu tragen.



Sicherheitswarnung



Um das Verletzungsrisiko zu verringern, muss der Benutzer die Bedienungsanleitung lesen.



Nicht im Regen verwenden oder bei Regen im Freien liegen lassen.



Garantierter Schalleistungspegel. Geräuschemission an die Umgebung gemäß Richtlinie der Europäischen Gemeinschaft



Dieses Produkt erfüllt die einschlägigen CE-Richtlinien.



Elektrische Altgeräte dürfen nicht im Hausmüll entsorgt werden. Geben Sie das Gerät bei einer zugelassenen Recycling-Annahmestelle ab.



Tragen Sie immer eine Schutzbrille, möglichst mit Seitenschutz, und einen Gesichtsschutz, wenn Sie das Gerät bedienen.



Versuchen Sie niemals, Ihr Elektrowerkzeug mit einer Hand zu benutzen. Es kann zum Kontrollverlust kommen, der schwere oder gar tödliche Verletzungen zur Folge haben kann. Um das Risiko von Schnittverletzungen zu verringern, halten Sie Hände und Füße von dem Schneidwerkzeug fern. Berühren Sie niemals ein Schneidwerkzeug, das in Bewegung ist, mit Ihrer Hand oder einem anderen Körperteil.



Die Länge des Messers



Max. Schnittleistung des Messers

V Spannung

≡ Gleichstrom

.../min pro Minute

mm Millimeter

cm Zentimeter

n_0 Leerlaufdrehzahl

TECHNISCHE DATEN

DE

Modell	HT2410E	HT2000E	
Spannung	56 V	56 V	
Leerlaufdrehzahl	1500 /min	1500 /min	
Schnittlänge	61 cm	51 cm	
Schnittleistung	26 mm	25 mm	
Gewicht (ohne Akku)	3,1 kg	2,9 kg	
Empfohlene Betriebstemperatur	0°C-40°C	0°C-40°C	
Empfohlene Lagertemperatur	-20°C-70°C	-20°C-70°C	
Gemessener Schalleistungspegel L_{WA}	94,47 dB(A) K=1,5 dB(A)	91,24 dB(A) K=1,03 dB(A)	
SSchalldruckpegel auf Benutzerebene L_{PA}	83,9 dB(A) K=3,0 dB(A)	80,62 dB(A) K=3,0 dB(A)	
Garantierter Schalleistungspegel L_{WA} (nach 2000/14/EG)	96 dB(A)	92 dB(A)	
Vibration a_h	Vorderer Griff	1,8 m/s ² K=1,5 m/s ²	2,195 m/s ² K=1,5 m/s ²
	Hinterer Griff	1,7 m/s ² K=1,5 m/s ²	1,836 m/s ² K=1,5 m/s ²

- Der angegebene Schwingungs-Gesamtwert wurde in Übereinstimmung mit einer Standard-Testmethode gemessen und kann verwendet werden, um Werkzeuge miteinander zu vergleichen.
- Der angegebene Schwingungs-Gesamtwert kann auch als einleitende Feststellung der Belastung verwendet werden.

HINWEIS: Die Schwingungs-Emission während der tatsächlichen Arbeit mit dem Elektrowerkzeug kann vom angegebenen Wert abweichen. Um den Bediener zu schützen, sollte man unter den tatsächlichen Bedingungen Handschuhe und Gehörschutz tragen.

PACKLISTE (ABB. A1)

BESCHREIBUNG

AUFBAU (Abb. A1)

- Öse zum Aufhängen
- Schutzkappe der Spitze
- Messer
- Handschutz
- Vorderer Griff
- Entriegelungsschalter
- Hinterer Griff
- Akku-Freigabeknopf
- Verschluss
- Elektrische Kontakte
- Akku-Einschubschlitz
- Batterie-Auswurf
- Hinterer Schalthebel
- Vorderer Schalthebel
- Öse zum Aufhängen
- Messerblattschutz

⚠️ WARNUNG: Dieses Produkt wird komplett montiert geliefert. Beim Gebrauch darf der Handschutz nicht entfernt werden. Wenn er beschädigt ist, muss er von einem geschulten Servicetechniker sofort ausgetauscht werden.

⚠️ WARNUNG: Der sichere Umgang mit diesem Produkt erfordert sowohl das Verstehen der Informationen auf dem Werkzeug und in dieser Anleitung als auch Wissen über die Arbeitsaufgabe, das Sie vorhaben. Machen Sie sich vor der Nutzung des Produkts mit allen Bedienmerkmalen und Sicherheitsregeln vertraut.

BEDIENUNG

⚠️ WARNUNG: Vermeiden Sie es, dass die Vertrautheit mit dem Produkt zu Nachlässigkeit führt. Denken Sie daran, dass ein kurzer Moment der Unachtsamkeit zu ernsthaften Verletzungen führen kann.

⚠️ WARNUNG: Tragen Sie immer einen Augenschutz mit Seitenschutz und einen Gehörschutz. Wenn Sie das unterlassen, kann es dazu kommen, dass Objekte in Ihre Augen geschleudert werden oder dass Ihnen andere mögliche ernsthafte Verletzungen widerfahren.

⚠️ WARNUNG: Um einen unbeabsichtigten Geräteanlauf bei der Montage von Teilen, bei Einstellarbeiten, beim Reinigen oder bei Nichtgebrauch zu verhindern, muss der Akku vom Gerät abgenommen werden. Andernfalls besteht schwere Verletzungsgefahr.

⚠️ WARNUNG: Verwenden Sie keine Zusätze oder Zubehörteile, die nicht von EGO™ empfohlen worden sind. Die Verwendung von anderen und nicht empfohlenen Zusätzen oder Zubehörteilen kann zu schweren Verletzungen führen.

Untersuchen Sie vor jedem Gebrauch das gesamte Produkt und prüfen Sie, ob Teile beschädigt, gelockert sind oder fehlen, z. B. Schrauben, Muttern, Bolzen, Kappen usw. Ziehen Sie alle Befestigungen und Kappen gut fest und benutzen Sie dieses Produkt erst, wenn alle fehlenden oder beschädigten Teile ersetzt worden sind.

ANWENDUNG

HT2410E: Dieses Gerät eignet sich für das Schneiden von Hecken, Sträuchern und Büschen mit einem Zweigdurchmesser unter \varnothing 26 mm (HT2410E)/ \varnothing 25 mm (HT2000E).

HINWEIS: Das Werkzeug darf nur für den dafür vorgesehenen Zweck eingesetzt werden. Jeder andere Geräteeingang gilt als Zweckentfremdung.

ANBRINGEN/ABNEHMEN DES AKKUS

Laden Sie den Akku vor dem ersten Gebrauch auf.

Nur mit Akkus und Ladegeräten verwenden, die in Abb. A2 aufgeführt sind.

Anschließen (Abb. B)

Lassen Sie die Rippen am Akkugehäuse mit den Öffnungen am Gerät fluchten und schieben Sie den Akku bis zum hörbaren Einrasten in das Gerät.

Abnehmen (Abb. C)

Drücken Sie die Batterieentriegelung und ziehen Sie den Akku heraus.

⚠️ WARNUNG: Seien Sie sich stets bewusst, wo sich Ihre Füße, Kinder oder Haustiere befinden, wenn Sie den Akku-Freigabeknopf drücken. Das Fallenlassen des Akkusatzes kann zu ernsthaften Verletzungen führen. Entfernen Sie den Akku NIEMALS an einer hohen Position.

HALTEN DER HECKENSCHERE (Abb. D, E & F)

Das Gerät verfügt über einen vorderen und einen hinteren Griff. Mit der Klinge von Ihnen weg zeigend halten Sie beide Griffe des Gerätes fest. Der Schalthebel im vorderen Griff kann von jeder der drei Seiten aktiviert werden,

damit Sie mehrere Möglichkeiten für einen bequemen Halt zur Auswahl haben, wenn Sie mit dem Gerät Schneidarbeiten ausführen.

⚠️ WARNUNG: Lassen Sie immer beide Hände an den Griffen der Heckenschere. Halten Sie auf keinen Fall einen Busch mit einer Hand fest, während Sie mit der anderen Hand die Heckenschere betätigen. Andernfalls kann es zu schweren Verletzungen kommen.

STARTEN/STOPPEN DER HECKENSCHERE

Nehmen Sie den Messerschutz vor Arbeitsbeginn ab und halten Sie die Heckenschere mit beiden Händen fest. Dabei ergreift eine Hand den hinteren und die andere den vorderen Griff. Sorgen Sie anschließend für einen festen, aufrechten Stand im Gleichgewicht und einen angemessenen Sicherheitsabstand beim Schneiden.

STARTEN

1. Setzen Sie den Akku ein.
2. Halten Sie den Schalthebel im vorderen Griff mit einer Hand gedrückt.
3. Halten Sie den Entriegelungsknopf mit dem Daumen Ihrer anderen Hand gedrückt; drücken Sie dann den hinteren Schalthebel mit Ihren Fingern, um die Heckenschere zu starten. Lassen Sie den Entriegelungsknopf los und halten Sie den Ein-/Ausschalter weiter gedrückt. Die Heckenschere läuft nun weiter.

ANHALTEN

Entfernen Sie die Heckenschere vom Arbeitsbereich und lassen Sie den hinteren Schalthebel los, um die Heckenschere anzuhalten.

⚠️ WARNUNG: Nehmen Sie während Arbeitspausen und nach Abschluss der Arbeit stets den Akkusatz aus der Heckenschere.

BENUTZUNG DER HECKENSCHERE

⚠️ WARNUNG: Wenn die Klinge sich in ein elektrisches Kabel oder eine Leitung frisst, **BERÜHREN SIE NICHT DIE KLINGE! SIE KANN STROM FÜHREN UND SEHR GEFÄHRLICH SEIN!** Halten Sie die Heckenschere weiterhin am isolierten hinteren Griff oder legen Sie die Heckenschere auf sichere Weise und von Ihnen weg zeigend ab. Trennen Sie die Stromversorgung der beschädigten Leitung oder des Kabels, um die Klinge aus der Leitung oder dem Kabel zu entfernen. Die Missachtung dieser Warnung führt zu schweren Verletzungen oder möglicherweise zum Tod.

⚠️ WARNUNG: Schneiden Sie nicht zu viele oder zu starke Sträucher auf einmal ab. Die Messer könnten verkanten. Das Werkzeug würde dadurch abgebremst und könnte nicht mehr effizient arbeiten.

HINWEIS: Die Heckenschere sollte zum Schneiden von Zweigen, die dünner als (26 mm) sind, verwendet werden.

HINWEIS: Beim Schneiden neuer Pflanzen eignet sich eine weite Schwenkbewegung, um dem Schneidmesser die Stängel direkt zuzuführen. Bei älteren Pflanzen sollte eher eine Sägebewegung zum Beschneiden dickerer Stämme ausgeführt werden. Eine Handsäge oder Baumsäge ohne Motorantrieb kommt für das Schneiden starker Stämme als erstes in Frage.

Spitzen schneiden

Führen Sie eine weite Schwenkbewegung aus. Wenn Sie die Messer in der Bewegungsrichtung beim Schneiden leicht nach unten neigen, erzielen Sie den besten Schnitt. Einen gleichmäßigeren Schnitt erhalten Sie, wenn Sie die Heckenhöhe vorher mit einer Richtschnur kennzeichnen (siehe Abb. G).

Seiten schneiden

Wenn Sie Hecken seitlich schneiden, setzen Sie unten an und schneiden Sie nach oben (siehe Abb. H). Schneiden Sie die Seite einer Hecke, sodass sie etwas schmaler nach oben hin ist. In dieser Form erreicht das Sonnenlicht mehr von der Hecke, wodurch ein gleichmäßiger Wuchs erzielt wird.

WARTUNG

⚠️ WARNUNG: Verwenden Sie für die Wartung nur identische Ersatzteile. Die Verwendung anderer Teile kann Unfälle und Schäden am Produkt hervorrufen. Um die Sicherheit und Zuverlässigkeit zu gewährleisten, sollten alle Reparaturen nur von qualifizierten Servicetechnikern durchgeführt werden.

⚠️ WARNUNG: Um schwere Verletzungen zu vermeiden, entfernen Sie immer den Akkusatz aus dem Produkt, wenn Sie das Gerät säubern oder Wartungsarbeiten vornehmen.

REINIGUNG

- Entfernen Sie mithilfe einer weichen Bürste Ablagerungen aus allen Lufteinlässen und der Klinge.
- Um Harz oder andere klebende Rückstände zu entfernen, sprühen Sie die Klängen mit einem Harzlöser ein. Lassen Sie den Motor kurz laufen, damit das Lösungsmittel gleichmäßig verteilt wird.

- Wischen Sie die Oberfläche mit einem trockenen Tuch ab.

⚠️ WARNUNG: Verwenden Sie niemals Wasser, um Ihre Heckenschere zu reinigen. Verwenden Sie keine Lösungsmittel zum Reinigen der Kunststoffteile. Die meisten Kunststoffe können durch verschiedene Arten von handelsüblichen Lösungsmitteln beschädigt werden. Nehmen Sie einen sauberen Lappen, um Schmutz, Staub, Öl, Fett usw. zu entfernen.

SCHÄRFEN DES MESSERS

1. Starten und stoppen Sie Ihre Heckenschere, bis das Messer und die Schutzabdeckung leicht versetzt sind, wie in Abbildung I gezeigt. Dadurch erhalten Sie eine freie Stelle für die Feile zwischen den Zähnen der Klinge und Schutzabdeckung
2. Nehmen Sie den Akku aus Ihrer Heckenschere.
3. Spannen Sie das Klängenblatt in einen Schraubstock ein und arbeiten Sie die frei liegende Messerseite jedes Messerzahns mit der Feile nach. Entfernen Sie so wenig Material wie möglich. Achten Sie darauf, den ursprünglichen Winkel jedes Zahns zu bewahren, wenn Sie feilen.
4. Nehmen Sie die Heckenschere aus dem Schraubstock; starten Sie das Werkzeug erneut und halten Sie es an, um die noch nicht geschärften Kanten der Klängenzähne freizulegen.
5. Entfernen Sie den Akkusatz und wiederholen Sie den oben beschriebenen Vorgang zum Schärfen.

HINWEIS: Benutzen Sie Ihre Heckenschere nicht mit stumpfen oder beschädigten Klängen. Dies kann zu einer Überlastung und mangelhaften Schnittergebnissen führen.

ÖLEN DER KLINGE (Abb. J)

Für den besten Betrieb und eine längere Messernutzungsdauer ölen Sie die Heckenscherenklinge vor und nach jeder Benutzung mit leichtem Maschinenöl. Nehmen Sie den Akku ab und legen Sie die Heckenschere auf einer flachen Unterlage ab. Tragen Sie das Öl auf die Oberkante des Klängenblatts auf.

HINWEIS: Damit das Werkzeug noch länger einsatzbereit ist, ölen Sie das Klängenblatt auch während des Arbeitseinsatzes.

⚠️ WARNUNG: Nicht ölen, während die Heckenschere eingeschaltet ist.

TRANSPORT UND LAGERUNG

- Bringen Sie stets den Messerschutz am Messerblatt an, bevor Sie die Heckenschere einlagern oder transportieren. Nehmen Sie sich vor den scharfen Zähnen des Messers in Acht.
- Reinigen Sie die Heckenschere gründlich, bevor Sie sie lagern.
- Lagern Sie die Heckenschere im Haus an einem trockenen Ort, der nicht für Kinder erreichbar ist.
- Halten Sie sie von zersetzenden Mitteln wie Gartenchemikalien oder Tausalzen fern..

⚠️ WARNUNG: Die Klängen sind scharf. Wenn Sie die Klingeneinheit handhaben, tragen Sie rutschfeste, robuste Schutzhandschuhe. Legen Sie nicht Ihre Hand oder Finger zwischen die Klängen oder an eine Stelle, an der sie eingeklemmt oder geschnitten werden können. Berühren oder warten Sie die Klängen NIEMALS, wenn der Akkusatz eingelegt ist.

Schützen Sie die Umwelt



Elektrogeräte, alte Akkus und Ladegeräte dürfen nicht im Hausmüll entsorgt werden! Das Gerät muss einer offiziellen Recycling-Sammelstelle zur getrennten Entsorgung zugeführt werden.

Elektrowerkzeuge müssen bei einer umweltfreundlichen Recycling-Einrichtung abgegeben werden.

DE

STÖRUNGSBESEITIGUNG

DE

PROBLEM	URSACHE	LÖSUNG
Heckenschere funktioniert nicht.	<ul style="list-style-type: none"> ■ Der Akkusatz ist nicht in die Heckenschere eingesetzt. ■ Kein elektrischer Kontakt zwischen Heckenschere und Akku. ■ Der Akku ist leer. ■ Der Akku ist zu heiß. ■ Die Heckenschere ist zu heiß. ■ Der hintere und vordere Schalthebel wurden nicht gleichzeitig betätigt. ■ Die Klinge ist blockiert. 	<ul style="list-style-type: none"> ■ Legen Sie den Akkusatz in die Heckenschere ein. ■ Entnehmen Sie den Akku, überprüfen Sie die Kontakte und setzen Sie ihn wieder ein. ■ Laden Sie den Akkusatz auf. ■ Entnehmen Sie den Akkusatz aus dem Werkzeug und lassen Sie ihn abkühlen, bis die Temperatur unter 67° C gesunken ist. ■ Beide Schalthebel loslassen und Heckenschere auf eine normale Temperatur abkühlen lassen. ■ Erst die Entriegelungstaste drücken und dann gleichzeitig die Schalthebel im vorderen und hinteren Griff. ■ Nehmen Sie den Akkusatz aus dem Werkzeug, entfernen Sie das Hindernis vorsichtig, legen Sie dann den Akku wieder ein und starten Sie das Werkzeug erneut.
Zu starke vibration oder lärmentwicklung.	<ul style="list-style-type: none"> ■ Trockene oder verrostete Klingen. ■ Klingen oder Klingenthalterung sind verbogen. ■ Verbogene oder beschädigte Zähne. ■ Gelockerte Schrauben an der Klinge. 	<ul style="list-style-type: none"> ■ Die Messer einölen. Dazu die Schritte unter „EINÖLEN DES MESSERS“ in dieser Bedienungsanleitung befolgen. ■ Neue Messer oder Halterung montieren. Wenden Sie sich an ein EGO Servicecenter, um das Klingenblatt oder die Halterung auszuwechseln zu lassen. ■ Neue Messer montieren. Wenden Sie sich an ein EGO Servicecenter, um das Klingenblatt auszuwechseln zu lassen. ■ Ziehen Sie die Schrauben der Klinge an. Ziehen Sie die Schraube im Uhrzeigersinn mit einem Schraubenschlüssel an.

GARANTIE

EGO-GARANTIEBEDINGUNGEN

Sämtliche Bedingungen der GEO Garantie finden Sie auf der Website egopowerplus.com.

LISEZ TOUTES LES INSTRUCTIONS !



LISEZ LE MANUEL D'UTILISATION

FR

⚠ AVERTISSEMENT: Risques résiduels ! Les personnes portant des appareils électroniques, par exemple des stimulateurs cardiaques, doivent consulter leur(s) médecin(s) avant d'utiliser ce produit. L'utilisation d'un équipement électrique près d'un stimulateur cardiaque peut provoquer des interférences ou la panne du stimulateur cardiaque.

⚠ AVERTISSEMENT: Pour garantir la sécurité et la fiabilité, toutes les réparations et tous les changements de pièce doivent être effectués par un réparateur qualifié.

SYMBOLES DE SÉCURITÉ

⚠ AVERTISSEMENT: L'utilisation d'un outil électrique peut provoquer la projection d'objets étrangers dans vos yeux, ce qui peut entraîner des lésions oculaires graves. Avant de commencer à utiliser l'outil électrique, portez toujours un masque de sécurité ou des lunettes de sécurité avec des protections latérales et une visière complète si nécessaire. Nous vous recommandons de porter un masque de sécurité à vision panoramique par-dessus des lunettes de vue ou des lunettes de sécurité standards avec des protections latérales.



Alerte de sécurité



Pour réduire le risque de blessures, l'utilisateur doit lire la notice d'utilisation.



N'utilisez pas ce produit sous la pluie et ne le laissez pas à l'extérieur quand il pleut.



Niveau de puissance acoustique garanti. Émission de bruit dans l'environnement conformément à la directive CE.



Ce produit est conforme aux directives CE applicables.



Les produits électriques usagés ne doivent pas être jetés avec les ordures ménagères. Apportez-les dans un centre de recyclage agréé.



Toujours porter un masque de sécurité ou des lunettes de sécurité avec boucliers latéraux et un masque facial intégral lors de l'utilisation de ce produit.



Ne jamais essayer d'utiliser votre outil électrique d'une main. La perte de contrôle de l'outil électrique peut provoquer des blessures graves ou mortelles. Pour réduire le risque de blessures par coupure, maintenir les mains et les pieds éloignés de l'accessoire de coupe. Ne jamais toucher un accessoire de coupe mobile avec la main ou une autre partie de votre corps.



La longueur de la lame



Capacité de coupe maximale de la lame

V Tension

— Courant continu

.../min Par minute

mm Millimètre

cm Centimètre

n_0 Régime à vide

SPÉCIFICATIONS

FR

Modèle	HT2410E	HT2000E
Tension	56 V ---	56 V ---
Régime à vide	1500 /min	1500 /min
Longueur de coupe	61 cm	51 cm
Capacité de coupe	26 mm	25 mm
Poids (sans la batterie, sans fourreau de lame)	3,1 kg	2,9 kg
Température d'utilisation recommandée	0°C-40°C	0°C-40°C
Température de stockage recommandée	-20°C-70°C	-20°C-70°C
Niveau de puissance acoustique mesuré L_{WA}	94,47 dB(A) K=1,5 dB(A)	91,24 dB(A) K=1,03 dB(A)
Niveau de pression acoustique à la position de l'opérateur L_{PA}	83,9 dB(A) K=3,0 dB(A)	80,62 dB(A) K=3,0 dB(A)
Niveau de puissance acoustique garanti L_{WA} (medido según 2000/14/CE)	96 dB(A)	92 dB(A)
Vibration a_h	Poignée avant	1,8 m/s ² K=1,5 m/s ²
	Poignée arrière	1,7 m/s ² K=1,5 m/s ²

La valeur totale des vibrations indiquée a été mesurée selon une procédure conforme à une méthode de test standardisée et peut servir pour comparer différents outils.

- La valeur totale des vibrations indiquée peut également servir pour effectuer une première évaluation de l'exposition.

REMARQUE : L'émission de vibrations pendant l'utilisation réelle de l'outil électrique est fonction de la manière dont il est utilisé et peut différer de la valeur indiquée. Pour se protéger, l'opérateur doit porter des gants et un casque antibruit dans les conditions actuelles d'utilisation.

CONTENU DE L'EMBALLAGE (IMAGE A1) DESCRIPTION

DESCRIPTION DE VOTRE TAILLE-HAIE (Image A1)

1. Oeillet de fixation
2. Protection de bout de lame

16

TAILLE-HAIE SANS FIL LITHIUM-ION 56 V — HT2410E/HT2000E

3. Lames
4. Protège-main
5. Poignée avant
6. Bouton de blocage
7. Poignée arrière
8. Bouton de déblocage de la batterie
9. Clip
10. Contacts électriques
11. Rainure de guidage du bloc-pile
12. Dispositif d'éjection du bloc-pile
13. Interrupteur marche/arrêt arrière
14. Interrupteur marche/arrêt avant
15. Oeillet de fixation
16. Fourreau de lame

⚠ AVERTISSEMENT: Ce produit a été expédié intégralement assemblé. Le protège-main ne doit jamais être retiré pendant l'utilisation. S'il est endommagé, faites-le remplacer immédiatement par un réparateur qualifié.

⚠ AVERTISSEMENT: L'utilisation sécurisée de ce produit nécessite de comprendre les informations présentes sur l'outil et dans ce manuel d'utilisation, ainsi que de connaître le travail que vous voulez effectuer. Avant d'utiliser ce produit, familiarisez-vous avec toutes ses fonctions et toutes les consignes de sécurité.

UTILISATION

⚠ AVERTISSEMENT: Veillez à ne pas devenir moins prudent au fur et à mesure que vous vous familiarisez avec cet outil. Gardez à l'esprit qu'une seconde d'inattention peut suffire pour provoquer des blessures graves.

⚠ AVERTISSEMENT: Portez toujours une protection oculaire avec boucliers latéraux et une protection auditive. Sans ce type de protection, des objets peuvent être projetés dans vos yeux et d'autres blessures graves peuvent se produire.

⚠ AVERTISSEMENT: Pour éviter un démarrage accidentel pouvant provoquer des blessures corporelles graves, retirez toujours la batterie de l'outil avant toute opération d'assemblage de pièce, de réglage ou de nettoyage et quand l'outil n'est pas utilisé.

⚠ AVERTISSEMENT: N'utilisez pas d'accessoire non recommandé par EGO™. L'utilisation d'accessoires ou de pièces non recommandés peut provoquer de graves blessures corporelles.

Avant chaque utilisation, inspectez entièrement l'outil pour vérifier qu'aucune pièce n'est endommagée, manquante ou desserrée, par exemple les vis, écrous, boulons, capuchons, etc. Resserrez fermement toutes les fixations et fixez solidement tous les capuchons. N'utilisez pas ce produit tant que toutes les pièces manquantes ou endommagées n'ont pas été remplacées.

APPLICATION

HT2410E : Vous pouvez utiliser cet outil pour tailler les haies, les arbustes et les buissons dont les branches ont un diamètre inférieur à \varnothing 26 mm (HT2410E) / \varnothing 25 mm (HT2000E).

REMARQUE: L'outil ne doit être utilisé qu'à la finalité spécifiée pour lui. Tout autre usage est considéré impropre.

INSTALLER/RETIRER LA BATTERIE

Rechargez la batterie avant la première utilisation.

Utilisez exclusivement les batteries et les chargeurs indiqués à la fig. A2.

Insertion (Image B)

Alignez les arêtes de la batterie avec les rainures d'assemblage et appuyez la batterie vers le bas jusqu'à entendre un dé clic.

Retrait (Image C)

Appuyez sur le bouton de déblocage de la batterie et tirez la batterie hors de l'outil.

AVERTISSEMENT: Soyez toujours conscient de la position de vos pieds, des enfants et des animaux lorsque vous appuyez sur le bouton de déblocage de la batterie. Si la batterie tombe, cela peut provoquer des blessures graves. Ne retirez JAMAIS la batterie dans une position haute.

TENIR LE TAILLE-HAIE (Images D, E et F)

L'outil dispose d'une poignée avant et d'une poignée arrière. Tenez l'outil avec les deux mains et avec les lames dirigées à l'opposé de vous. Le levier d'interrupteur sur la poignée avant peut être activé de n'importe lequel des trois côtés, vous offrant ainsi beaucoup de choix pour une prise confortable lorsque vous effectuez un travail de découpe.

AVERTISSEMENT: Tenez toujours les poignées du taille-haie à deux mains. Ne tenez jamais les arbustes d'une main tout en manœuvrant le taille-haie de l'autre main. Ne pas respecter cette mise en garde peut provoquer des blessures graves.

DÉMARRER ET ÉTEINDRE LE TAILLE-HAIE

Avant d'utiliser le taille-haie, retirez le fourreau de lame et saisissez le taille-haie à deux mains, une main sur la poignée arrière et l'autre main sur la poignée avant. Puis vérifiez que vous avez des appuis des pieds stables et équilibrés, que vous vous tenez droit et à une distance de coupe appropriée.

ALLUMER L'OUTIL

1. Installez le bloc-pile
2. Maintenez enfoncé d'une main le levier d'interrupteur de la poignée avant
3. Maintenez enfoncé le bouton de blocage avec le pouce de votre autre main, puis serrez le levier d'interrupteur arrière avec vos doigts pour faire démarrer le taillehaie. Relâchez le bouton de blocage et gardez la gâchette enfoncée pour utiliser l'outil de façon continue.

ARRÊTER L'OUTIL

Pour arrêter le taille-haie, éloignez-le de l'aire de découpe et lâchez le levier d'interrupteur arrière

AVERTISSEMENT: Enlevez systématiquement le bloc-pile du taille-haie pendant les pauses ou une fois que le travail est terminé.

UTILISER LE TAILLE-HAIE

AVERTISSEMENT: Si la lame se coince sur un câble électrique, **NE TOUCHEZ PAS LA LAME ! ELLE PEUT ÊTRE SOUS TENSION ÉLECTRIQUE ET ÊTRE TRÈS DANGEREUSE.** Continuez de tenir le taille-haie par sa poignée arrière isolante ou posez-le loin de vous d'une manière non dangereuse. Débranchez le câble électrique endommagé de l'alimentation électrique avant d'essayer de décoincer la lame du câble électrique. Ne pas respecter cette mise en garde peut provoquer des blessures graves ou mortelles.

AVERTISSEMENT: Ne taillez pas trop de végétaux en même temps ou des végétaux très denses. Cela peut tordre et ralentir les lames, et réduire l'efficacité de coupe.

REMARQUE: L'outil peut être utilisé pour couper des branches d'une épaisseur inférieure à 26 mm.

REMARQUE: Lors de la taille de jeunes pousses, un grand mouvement de balayage permet de couper directement les tiges avec la lame. Pour couper les végétaux plus anciens, un mouvement de sciage permet de couper les tiges plus épaisses. Il est conseillé de d'abord couper les grosses branches avec une scie manuelle ou une scie à élaguer non électrique.

Coupe supérieure

Utilisez un grand mouvement de balayage. Pour obtenir un résultat optimal, inclinez légèrement les lames vers le bas dans le sens du mouvement. Pour un meilleur résultat de coupe, vous pouvez aussi utiliser une corde pour servir de guide et indiquer la hauteur de la haie, comme montré sur l'image G.

Coupe latérale

Lorsque vous coupez les côtés de la haie, commencez par le bas et coupez en faisant un mouvement vers le haut. Coupez les côtés de la haie de manière à ce que celle-ci soit légèrement plus étroite en haut. Cette forme expose davantage la haie au soleil et permet une repousse plus uniforme.

ENTRETIEN

⚠ AVERTISSEMENT : L'outil ne doit être réparé qu'avec des pièces de rechange identique. L'utilisation de toute autre pièce peut créer un danger ou détériorer le produit. Pour garantir la sécurité et la fiabilité, toutes les réparations doivent être effectuées par un réparateur qualifié.

⚠ AVERTISSEMENT : Afin de vous prémunir contre des blessures corporelles graves, retirez toujours la batterie de l'outil avant de le nettoyer ou de l'entretenir.

NETTOYAGE

- Utilisez une brosse souple pour enlever les débris de toutes les ouïes de ventilation et de la lame.
- Pour enlever la sève et les autres résidus collants, pulvérisez un solvant de résine sur les lames. Allumez brièvement le moteur pour répartir uniformément le solvant.
- Essuyez la surface avec un chiffon sec.

⚠ AVERTISSEMENT : N'utilisez jamais d'eau pour nettoyer votre outil. N'utilisez pas de solvant pour nettoyer les pièces en plastique. La plupart des plastiques peuvent être détériorés par de nombreux types de solvants vendus dans le commerce. Utilisez des chiffons propres pour enlever les saletés, les poussières, l'huile, la graisse, etc.

AFFÛTER LA LAME

1. Démarrez et arrêtez le taille-haie jusqu'à ce que les dents de découpe et les dents de protection soient légèrement décalées, comme sur la figure 9. Cela permet d'avoir l'espace nécessaire pour laisser passer la lime entre les dents de découpe et les dents de protection.
2. Enlevez le bloc-pile de votre taille-haie.
3. Fixez les lames dans un étau et limez la surface de découpe exposée de chaque dent. Enlevez aussi peu de matière que possible. Veillez à conserver l'angle d'origine de chaque dent.
4. Enlevez le taille-haie de l'étau, démarrez et arrêtez-le de façon à exposer les parties non affûtées des dents de découpe.
5. Enlevez le bloc-pile et répétez la procédure d'affûtage ci-dessus.

REMARQUE : N'utilisez pas votre taille-haie avec des lames endommagées ou émoussées. Cela peut le mettre en surcharge et la coupe ne sera pas satisfaisante.

LUBRIFIER LA LAME

Pour faciliter l'utilisation et prolonger la durée de vie de la lame, lubrifiez la lame du taille-haie avec une huile pour outil de faible viscosité avant et après chaque utilisation.

Retirez la batterie, puis posez le taille-haie sur une surface plane. Appliquez de l'huile sur le bord de la lame supérieure.

REMARQUE : Lors d'utilisations prolongées, huilez la lame pendant les opérations de coupe.

⚠ AVERTISSEMENT : N'huilez pas la lame quand le taille-haie est en fonctionnement.

TRANSPORT ET RANGEMENT

- Insérez toujours le fourreau de lame sur la lame avant de ranger ou de transporter le taille-haie. Faites attention à ne pas toucher les dents tranchantes de la lame.
- Nettoyez soigneusement le taille-haie avant de le ranger.
- Rangez le taille-haie en intérieur, dans un endroit sec et hors de portée des enfants.
- Veillez à ce qu'il reste éloigné des produits corrosifs, par exemple les produits chimiques de jardinage et les sels de déverglacage.

⚠ AVERTISSEMENT: Les lames sont tranchantes. Lors de la manipulation de la lame, portez des gants protecteurs antidérapants pour travaux lourds. Ne placez pas votre main ou vos doigts entre les lames ni dans aucune position où ils pourraient être pincés ou coupés. Ne touchez JAMAIS les lames et ne réparez JAMAIS l'outil avec sa batterie installée.

Protection de l'environnement



Ne jetez pas les équipements électriques, les batteries et les chargeurs usagés avec les ordures ménagères ! Apportez ce produit dans un centre de recyclage agréé pour qu'il fasse l'objet d'une collecte séparée. Les outils électriques doivent être amenés dans un centre de recyclage pour assurer le respect de l'environnement.

FR

DÉPANNAGE

FR

PROBLÈME	CAUSE	SOLUTION
Le taille-haie ne s'allume pas.	<ul style="list-style-type: none"> ■ La batterie n'est pas insérée sur le taille-haie. ■ Il n'y a pas de contact électrique entre l'outil et la batterie. ■ La batterie est déchargée. ■ La batterie est trop chaude. ■ Le taille-haie est trop chaud. ■ Les leviers d'interrupteur avant et arrière ne sont pas enclenchés simultanément ■ La lame est coincée. 	<ul style="list-style-type: none"> ■ Insérez la batterie sur le taille-haie. ■ Retirez la batterie, inspectez les contacts, puis réinsérez la batterie. ■ Rechargez la batterie. ■ Retirez la batterie de l'outil et laissez-la refroidir jusqu'à ce que sa température devienne inférieure à 67 °C. ■ Relâchez les deux interrupteurs marche/arrêt et laissez l'outil refroidir jusqu'à une température normale. ■ Appuyez d'abord sur le bouton de blocage, puis abaissez les leviers d'interrupteur de la poignée avant et de la poignée arrière simultanément ■ Retirez la batterie de l'outil, retirez précautionneusement les matières bloquant la lame, puis réinsérez la batterie et redémarrez l'outil.
Excessifs bruit/vibrations	<ul style="list-style-type: none"> ■ Les lames sont sèches ou corrodées. ■ Une ou plusieurs lames sont tordues. ■ Dents tordues ou endommagées. ■ Les boulons de lame sont desserrés. 	<ul style="list-style-type: none"> ■ Lubrifiez les lames en procédant comme indiqué au chapitre « LUBRIFIER LA LAME » de ce manuel. ■ Faites remplacer la lame par une lame neuve. Contactez le centre de réparation EGO pour faire remplacer les lames. ■ Faites remplacer la lame par une lame neuve. Contactez le centre de réparation EGO pour faire remplacer les lames. ■ Serrez les boulons de lame. Avec une clé, tournez les boulons dans le sens horaire pour les serrer.

GARANTIE

POLITIQUE DE GARANTIE EGO

Rendez-vous sur le site Internet egopowerplus.com pour consulter les termes et conditions complets de la politique de garantie EGO.

¡LEA TODAS LAS INSTRUCCIONES!



LEA EL MANUAL DEL USUARIO

⚠ ADVERTENCIA: ¡Riesgo residual! Las personas con implantes electrónicos, como marcapasos, deberán consultar a su médico antes de utilizar este producto. La utilización de equipos eléctricos en las proximidades inmediatas de un marcapasos podría causar en este interferencias o averías.

⚠ ADVERTENCIA: Para garantizar la seguridad y fiabilidad de la herramienta, las reparaciones y sustituciones debe realizarlas únicamente un técnico cualificado.

ES

SÍMBOLOS DE SEGURIDAD

⚠ ADVERTENCIA: Cuando se utilizan herramientas eléctricas, es posible que salgan despedidos objetos que podrían causar lesiones oculares graves. Antes de empezar a usar herramientas eléctricas, póngase siempre gafas de seguridad, gafas con cristales anti-impacto que cuenten con pantallas de protección lateral, o bien una máscara facial que proteja completamente la cara. Recomendamos usar una máscara de seguridad de amplia visión que pueda utilizarse encima de gafas graduadas, o bien gafas normales de seguridad equipadas con pantallas laterales.



Aviso de seguridad



Para reducir el riesgo de lesiones, el usuario debe leer el manual de instrucciones.



No utilice la herramienta bajo la lluvia ni la deje a la intemperie cuando esté lloviendo.



Nivel de potencia acústica garantizado. La emisión de ruido al medio ambiente cumple la directiva de la Comunidad Europea.



Este producto está en conformidad con las directivas de la CE aplicables.



Los productos eléctricos no deben eliminarse con la basura doméstica. Lívelos a un centro de reciclaje autorizado.



Utilice siempre utilice gafas de seguridad, gafas con cristales anti-impacto que cuenten con pantallas de protección lateral, o bien una máscara facial que proteja completamente la cara cuando se sirva de este producto.



No intente nunca usar la herramienta eléctrica con una sola mano. Podría perder el control de la herramienta y provocar lesiones graves o mortales. Para reducir el riesgo de lesiones por corte, mantenga las manos y los pies alejados del elemento de corte. No toque nunca con la mano ni con ninguna otra parte del cuerpo un elemento de corte en movimiento.



Longitud de la cuchilla



Máx. capacidad de corte de la cuchilla

V Tensión

— Corriente continua

.../min Por minuto

mm Milímetro

cm Centímetro

n_0 Velocidad sin carga

ESPECIFICACIONES

Modelo	HT2410E	HT2000E
Tensión	56 V $\overline{\text{---}}$	56 V $\overline{\text{---}}$
Revoluciones del motor en vacío	1500 /min	1500 /min
Longitud de corte	61 cm	51 cm
Capacidad de corte	26 mm	25 mm
Peso (sin acumulador)	3,1 kg	2,9 kg
Temperatura de funcionamiento recomendada	de 0 °C a 40 °C	de 0 °C a 40 °C
Temperatura de almacenamiento recomendada	de -20 °C a 70 °C	de -20 °C a 70 °C
Nivel de potencia acústica ponderado L_{WA}	94,47 dB(A) K=1,5 dB(A)	91,24 dB(A) K=1,03 dB(A)
Nivel de presión acústica medido en la posición del usuario L_{PA}	83,9 dB(A) K=3,0 dB(A)	80,62 dB(A) K=3,0 dB(A)
Nivel de potencia acústica garantizado L_{WA} (medido según 2000/14/CE)	96 dB(A)	92 dB(A)
Nivel de vibraciones a_h	Empuñadura delantera	1,8 m/s ² K=1,5 m/s ²
	Empuñadura trasera	1,7 m/s ² K=1,5 m/s ²

- El nivel total de vibraciones especificado ha sido medido conforme al método de prueba estándar empleado en la industria y puede utilizarse para efectuar comparaciones entre herramientas.
- Asimismo, el nivel total de vibraciones declarado podrá utilizarse para efectuar una evaluación preliminar de la exposición del usuario a los niveles de vibración generados por la herramienta.

AVISO: Las vibraciones generadas durante el uso real de la herramienta eléctrica podrán diferir del valor declarado en función de la manera en que se utilice. A modo de protección, el usuario deberá utilizar guantes y protectores auditivos en condiciones reales de uso.

LISTA DE EMBALAJE (FIG. A1)

DESCRIPCIÓN

FAMILIARÍCESE CON SU CORTASETOS (fig. A1)

1. Orificio para colgar
2. Protector de punta de cuchilla
3. Cuchilla
4. Guarda de protección de la empuñadura
5. Empuñadura delantera
6. Botón de desbloqueo
7. Empuñadura trasera
8. Botón de liberación del acumulador
9. Seguro
10. Contactos eléctricos
11. Ranura de montaje de la batería
12. Eyección de la batería
13. Gatillo interruptor trasero
14. Interruptor de palanca frontal
15. Orificio para colgar
16. Protector de cuchilla

⚠ ADVERTENCIA: Este producto ha sido enviado completamente ensamblado. El guardamanos nunca debe desmontarse cuando se trabaje con la herramienta. Una vez dañado, solicite inmediatamente su reparación a un servicio técnico acreditado.

⚠ ADVERTENCIA: Para una utilización segura de este producto, se requiere entender perfectamente la información proporcionada en la propia herramienta, así como en este Manual del usuario, además de poseer buenos conocimientos acerca de la tarea a realizar. Antes de utilizar este producto, familiarícese con todas sus características de funcionamiento y pautas de seguridad a observar.

UTILIZACIÓN

⚠ ADVERTENCIA: No permita que la confianza que supone el hecho de estar familiarizado con el producto dé lugar a descuidos. Recuerde que cualquier distracción de una fracción de segundos es suficiente para sufrir o provocar lesiones graves.

⚠ ADVERTENCIA: Utilice siempre gafas de seguridad con pantallas de protección lateral, así como protección auditiva. De lo contrario, los objetos despedidos por la acción de la herramienta podrían alcanzar sus ojos y provocar lesiones graves oculares o de otro tipo.

⚠ ADVERTENCIA: Para evitar cualquier puesta en marcha accidental que pudiera causar lesiones físicas graves, asegúrese siempre de retirar el acumulador de la herramienta antes de proceder al montaje de cualquier pieza, de hacer ajustes o de limpiar la herramienta, así como cuando no la utilice.

⚠ ADVERTENCIA: No utilice piezas o accesorios que no hayan sido recomendados por EGO™. La utilización de piezas o accesorios no recomendados por el fabricante podría resultar en lesiones físicas graves.

Antes de cada utilización, examine la totalidad del producto a fin de determinar la posible existencia de piezas dañadas, extraviadas o sueltas, tales como tornillos, tuercas, pernos, tapones, etc. Apriete todos los tornillos, fijaciones y tapones según sea necesario y no utilice el producto hasta haber sustituido las piezas dañadas o instalado las que faltan.

UTILIZACIÓN PREVISTA DE LA HERRAMIENTA

HT2410E: Puede usar este producto para cortar setos, arbustos y matorrales con un diámetro del tallo inferior a \varnothing 26 mm (HT2410E) / \varnothing 25mm (HT2000E).

AVISO: La herramienta debe utilizarse únicamente para el fin previsto. Cualquier otro uso se considerará uso indebido.

INSTALAR/QUITAR EL ACUMULADOR

Usar solo con baterías recargables y cargadores incluidos en la lista de la fig. A2.

Recargar antes del primer uso.

Instalación (fig. B)

Alinee las nervaduras del acumulador con las ranuras de montaje, e introduzca el acumulador presionándolo hacia abajo hasta oír un "clic".

Extracción (fig. C)

Pulse el botón de liberación del acumulador y saque el acumulador.

⚠ ADVERTENCIA: Preste atención siempre a la posición de sus pies, así como a la presencia de niños o mascotas cuando pulse el botón de liberación del acumulador. Podrían producirse lesiones graves si el acumulador se cayese. NUNCA retire el acumulador con la herramienta situada en altura.

CÓMO SOSTENER CORRECTAMENTE EL CORTASETOS DURANTE SU USO (fig. D, E y F)

La unidad cuenta con una empuñadura frontal y una posterior. Con la cuchilla apuntando en sentido contrario

a usted, sostenga la unidad de ambas empuñaduras. La palanca de seguridad de la empuñadura frontal puede activarse en cualquiera de los tres lados, ofreciéndole varias opciones para un agarre cómodo cuando realice cortes.

⚠ ADVERTENCIA: Mantenga siempre ambas manos en las empuñaduras del cortasetos durante su utilización. Nunca sujete arbustos con una mano mientras procede a cortarlos sosteniendo el cortasetos con la otra mano. De no observarse esta advertencia, podría sufrir lesiones físicas graves.

PUESTA EN MARCHA/PARADA DEL CORTASETOS

Antes de usar el cortasetos, quite el protector de la cuchilla y sostenga el cortasetos con las dos manos, una en la empuñadura trasera y otra en la delantera. A continuación, compruebe que tiene los pies en equilibrio, adopte una postura erguida y mantenga una distancia de corte adecuada.

PUESTA EN MARCHA

1. Instale el paquete de baterías.
2. Mantenga presionada la palanca de seguridad en la empuñadura frontal con una mano.
3. Mantenga presionado con el pulgar de la otra mano el botón de desbloqueo. Luego, apriete la palanca de seguridad posterior con los dedos para hacer arrancar la cortadora de orillas. Suelte el botón de desbloqueo y continúe apretando el interruptor para que la máquina siga en funcionamiento.

PARADA

Aleje la cortadora de orillas del área de corte y suelte la palanca de seguridad posterior para detenerla.

⚠ ADVERTENCIA: retire siempre la batería de la cortadora de orillas durante pausas en el trabajo y después de finalizarlo.

UTILIZACIÓN DEL CORTASETOS

⚠ ADVERTENCIA: Si la cuchilla llega a trabarse en cualquier cable eléctrico, **¡NO LA TOQUE! PODRÍA ESTAR BAJO TENSIÓN Y RESULTAR EXTREMADAMENTE PELIGROSA.** Continúe sujetando el cortasetos por la empuñadura trasera aislada o tiéndalo con cuidado a una distancia prudente. Corte el suministro eléctrico que alimenta el cable dañado antes de intentar liberar la cuchilla del cable donde se ha trabado. De no observarse esta advertencia, podría sufrir lesiones físicas graves o incluso mortales.

⚠ ADVERTENCIA: Evite cortar demasiados tallos a la vez o a través de arbustos densos. De lo contrario, la cuchilla podría atascarse y frenar el motor, reduciendo así la eficacia de corte de la herramienta.

ES

AVISO: El cortasetos deberá utilizarse para cortar tallos con un grosor menor que (26 mm).

AVISO: Para los brotes nuevos, con una acción de barrido amplio los tallos se dirigen directamente a la cuchilla de corte. Para los tallos más viejos, conviene realizar un movimiento de serrado para podar los tallos más gruesos. Se recomienda usar una sierra no eléctrica o una sierra de podar para cortar primero los tallos grandes.

Recorte de la parte superior de los setos

Realice un movimiento de barrido amplio. Obtendrá los mejores resultados de corte si mantiene ligeramente inclinada hacia abajo la cuchilla en la dirección del movimiento. Para obtener un mejor efecto de corte, también puede usar la cuerda como guía para el nivel del seto, como se muestra en la fig. G.

Recorte de los laterales de los setos

Al cortar los lados de la orilla, comience por abajo y corte hacia arriba. Corte el costado de una orilla para que quede ligeramente más estrecha en la parte superior. Esta forma expondrá más de la orilla a la luz del sol y permitirá un crecimiento más uniforme.

MANTENIMIENTO

⚠ ADVERTENCIA: Cuando efectúe reparaciones en la herramienta, utilice únicamente piezas idénticas a las originales. La utilización de piezas diferentes o no homologadas podría suponer un peligro o causar daños en el producto. Para garantizar la seguridad y fiabilidad del producto, confíe cualquier reparación que sea necesaria a personal técnico cualificado.

⚠ ADVERTENCIA: Para evitar posibles riesgos de lesiones físicas graves, asegúrese siempre de retirar el acumulador de la herramienta antes de proceder a su limpieza o llevar a cabo cualquier tarea de mantenimiento.

LIMPIEZA

- Utilice un cepillo suave para eliminar restos de recortes de material y acumulaciones de suciedad de todos los orificios de ventilación, así como de la cuchilla de corte.

- Para eliminar restos de savia y otros residuos pegajosos, rocíe la cuchilla con disolvente para resina. Haga funcionar brevemente el motor a fin de repartir bien el disolvente por toda la cuchilla.
- Limpie la superficie con un paño seco.

⚠ ADVERTENCIA: Nunca utilice agua para limpiar su herramienta. Evite utilizar disolventes para limpiar los elementos plásticos del producto. La mayoría de las piezas de plástico utilizadas son susceptibles de sufrir daños si se limpian con algunos de los tipos de disolventes de uso industrial disponibles en el mercado. Utilice paños limpios para eliminar la suciedad y los residuos de polvo, aceite, grasa, etc.

AFILADO DE LA CUCHILLA

1. Arranque y detenga su cortadora de orillas hasta que la cuchilla de corte y el protector estén levemente fuera de lugar, como se muestra en la figura 9, para obtener la separación de la lima entre el diente de corte y el diente de protección.
2. Retire el paquete de baterías de la cortadora de orillas.
3. Sujete el ensamble de la cuchilla con una grapa y lime la superficie de corte expuesta de cada diente de la cuchilla. Retire la menor cantidad posible de material. Asegúrese de mantener el ángulo original de cada diente cuando lo lime.
4. Retire la cortadora de orillas de la grapa; vuelva a arrancarla y detenerla para exponer los bordes sin afilar de los dientes de la cuchilla.
5. Retire el paquete de baterías y repita el procedimiento de afilado anterior.

AVISO: No utilice el cortasetos con una cuchilla escasamente afilada o dañada. De lo contrario, podría sobrecargar la herramienta y obtener unos resultados de corte poco satisfactorios.

LUBRICACIÓN DE LA CUCHILLA (fig. J)

Para que la cuchilla de su cortasetos corte con mayor eficacia y a fin de prolongar su vida útil, lubríquela utilizando aceite de maquinaria de escasa viscosidad antes y después de cada uso.

Quite el acumulador y deposite el cortasetos sobre una superficie plana. Aplique el aceite a lo largo del borde de la cuchilla superior

AVISO: Si utiliza el cortasetos durante un periodo largo, lubrique la cuchilla durante el tiempo de uso.

⚠ ADVERTENCIA: No lubrique el cortasetos mientras está funcionando.

TRANSPORTE Y ALMACENAMIENTO

- Coloque siempre el protector de la cuchilla en la cuchilla antes de almacenar o transportar la cortadora de orillas. Tenga cuidado de evitar los dientes afilados de la cuchilla.
- Limpie a fondo el cortasetos antes de guardarlo.
- Guarde el cortasetos en interiores, en un lugar seco e inaccesible para los niños.
- Manténgalo apartado de agentes corrosivos tales como productos químicos de jardinería y sal para deshielo.

⚠ ADVERTENCIA: Las cuchillas están muy afiladas. Utilice guantes de protección robustos y antideslizantes cuando manipule la cuchilla. No ponga las manos ni los dedos entre las cuchillas ni en ninguna otra posición donde puedan sufrir cortes o pellizcos. NUNCA toque las cuchillas ni repare la herramienta con su acumulador instalado.

Protección del medio ambiente



¡No elimine aparatos eléctricos, baterías usadas ni cargadores de baterías junto con los desperdicios domésticos! Lleve este producto a un punto de reciclaje autorizado y deposítelo por separado según corresponda. Las herramientas eléctricas se deben llevar a un punto de reciclaje con el fin de proteger el medio ambiente.

ES

KEES VAN DER SPEK
TUINMACHINES ★ STOLWIJK

SOLUCIÓN DE PROBLEMAS

ES

ANOMALÍA	CAUSA	SOLUCIÓN
El cortasetos no funciona.	<ul style="list-style-type: none"> ■ El acumulador no está correctamente insertado en el cortasetos. ■ No hay contacto eléctrico entre el acumulador y el cortasetos. ■ El acumulador está agotado. ■ El acumulador se ha sobrecalentado. ■ El cortasetos se ha sobrecalentado. ■ Las palancas de seguridad posterior y frontal no se presionaron simultáneamente ■ La cuchilla está atascada. 	<ul style="list-style-type: none"> ■ Inserte correctamente el acumulador en el cortasetos. ■ Retire el acumulador, compruebe los contactos eléctricos y vuelva a instalar el acumulador en su sitio. ■ Recargue el acumulador. ■ Retire el acumulador de la herramienta y espere a que se haya enfriado lo suficiente, hasta que su temperatura sea inferior a 67°C. ■ Suelte ambos botones de accionamiento y deje que el cortasetos se enfríe hasta vuelva a la temperatura ambiente. ■ Primero presione el botón de desbloqueo. Luego, presione simultáneamente las palancas de seguridad en las empuñaduras frontal y posterior. ■ Retire el acumulador de la herramienta, elimine con cuidado la obstrucción y, a continuación, vuelva a instalar el acumulador y ponga en marcha la herramienta.
Excesivo Vibración o ruido	<ul style="list-style-type: none"> ■ Cuchillas secas u oxidadas. ■ Cuchillas o espada dobladas. ■ Dientes doblados o dañados. ■ Tornillos de sujeción de la cuchilla sueltos. 	<ul style="list-style-type: none"> ■ Lubrique las cuchillas como se indica en el apartado "LUBRICACIÓN DE LA CUCHILLA", en la página 24 de este manual. ■ Instale una cuchilla o espada nueva. Póngase en contacto con el Departamento de atención al cliente de EGO (vea la página 29) para solicitar asistencia o la sustitución de la cuchilla. ■ Instale una cuchilla nueva. Póngase en contacto con el Departamento de atención al cliente de EGO (vea la página 29) para solicitar la sustitución de la cuchilla. ■ Apriete los tornillos de sujeción de la cuchilla. Utilizando una llave adecuada, gire el tornillo en sentido horario para apretarlo.

GARANTÍA

POLÍTICA DE GARANTÍA DE EGO

Visite la página web egopowerplus.com para conocer los términos y condiciones completos de la política de garantía de EGO.

LEIA TODAS AS INSTRUÇÕES!



LEIA O MANUAL DO UTILIZADOR

⚠️ AVISO: Risco residual! As pessoas com dispositivos eletrónicos, como pacemakers, deverão consultar o seu médico antes de utilizarem este produto. A utilização de equipamento elétrico perto de um pacemaker pode causar interferências ou falhas no pacemaker.

⚠️ AVISO: Para assegurar a segurança e bom funcionamento, todas as reparações e substituições deverão ser efetuadas por um técnico de reparação qualificado.

PT

SÍMBOLOS DE SEGURANÇA

⚠️ AVISO: O funcionamento de qualquer ferramenta elétrica pode dar origem ao ressalto de quaisquer objetos estranhos que podem atingir os olhos, podendo dar origem a sérias lesões oculares. Antes de começar a utilizar a ferramenta elétrica, utilize sempre óculos de segurança com proteções laterais e uma proteção completa para o rosto, quando necessário. Recomendamos a utilização de máscaras de segurança com visão panorâmica por cima dos óculos ou óculos de segurança padrão com proteção lateral.



Alerta de segurança



De modo a reduzir os riscos de lesões, o utilizador tem de ler o manual de utilização.



Não use este produto à chuva nem o deixe no exterior quando chover.



Nível de potência do som garantido. Emissão de ruído para o ambiente de acordo com a diretiva da Comunidade Europeia.



Este produto encontra-se em conformidade com as diretivas CE aplicáveis.



Os resíduos elétricos não deverão ser eliminados juntamente com o lixo doméstico comum. Entregue-os num centro de reciclagem autorizado.



Utilize sempre óculos de segurança com proteção lateral e, se necessário, uma proteção completa do rosto, quando utilizar este produto.



Nunca tente utilizar a sua ferramenta elétrica apenas com uma mão. A perda de controlo da ferramenta elétrica pode dar origem a lesões sérias ou fatais. Para reduzir o risco de cortes, mantenha as mãos e pés afastados da ferramenta de corte. Nunca toque numa ferramenta de corte em movimento com as mãos ou qualquer outra parte do seu corpo.



O comprimento da lâmina



Máx. Capacidade de corte da lâmina

V Voltagem

— Corrente direta

.../min Por minuto

mm Milímetro

cm Centímetro

n_0 Velocidade sem carga

ESPECIFICAÇÕES

Modelo	HT2410E	HT2000E	
Tensão	56 V ---	56 V ---	
Velocidade sem carga	1500 /min	1500 /min	
Comprimento de corte	61 cm	51 cm	
Capacidade de corte	26 mm	25 mm	
Peso (sem a bateria)	3,1 kg	2,9 kg	
Temperatura de funcionamento recomendada	0 °C a 40 °C	0 °C a 40 °C	
Temperatura de armazenamento recomendada	-20 °C a 70 °C	-20 °C a 70 °C	
Nível de potência do som medido L_{WA}	94,47 dB(A) K=1,5 dB(A)	91,24 dB(A) K=1,03 dB(A)	
Nível de pressão do som na posição do operador L_{PA}	83,9 dB(A) K=3,0 dB(A)	80,62 dB(A) K=3,0 dB(A)	
Nível de potência do som garantido L_{WA} (de acordo com a 2000/14/CE)	96 dB(A)	92 dB(A)	
Vibração a_h	Pega dianteira	1,8 m/s ² K=1,5 m/s ²	2,195 m/s ² K=1,5 m/s ²
	Pega traseira	1,7 m/s ² K=1,5 m/s ²	1,836 m/s ² K=1,5 m/s ²

- O valor total declarado da vibração foi medido de acordo com um método de teste padrão e pode ser usado para comparar duas ferramentas;
- O valor total declarado da vibração também pode ser usado numa avaliação preliminar da exposição.

AVISO: A emissão de vibrações durante a utilização da ferramenta elétrica pode diferir do valor declarado em que a ferramenta é usada. De modo a proteger o utilizador, este deverá utilizar luvas e proteção auditiva nas condições atuais de utilização.

LISTA DE PEÇAS (FIG. A1)

DESCRIÇÃO

CONHEÇA O SEU CORTA-SEBES (Fig. A1)

1. Orifício de suporte
2. Protetor da ponta
3. Lâmina

4. Proteção da mão
5. Pega dianteira
6. Botão de desbloqueio
7. Pega traseira
8. Botão de libertação da bateria
9. Aba
10. Contactos elétricos
11. Ranhura de montagem da bateria
12. Ejeção da bateria
13. Alavanca do interruptor traseira
14. Alavanca do interruptor dianteira
15. Orifício de suporte
16. Proteção da lâmina

AVISO: Este produto saiu de fábrica completamente montado. A proteção da mão nunca deverá ser retirada durante a utilização. Se ficar danificada, leve-a para ser substituída por um técnico de reparação qualificado.

AVISO: A utilização segura deste produto requer uma compreensão da informação na ferramenta e neste manual do utilizador, bem como o conhecimento do trabalho que vai efetuar. Antes de utilizar este produto, familiarize-se com as características de funcionamento e regras de segurança.

FUNCIONAMENTO

AVISO: Não permita que a familiarização com este produto o torne descuidado. Lembre-se de que uma fracção de segundo de desatenção é o suficiente para sofrer uma lesão séria.

AVISO: Use sempre protecção ocular com protecções laterais, juntamente com a protecção auditiva. Se não o fizer, pode apanhar com objectos nos olhos, dando origem a possíveis lesões sérias.

AVISO: Para evitar a ligação accidental que pode provocar ferimentos pessoais graves, retire sempre a bateria da ferramenta quando montar as peças, fizer ajustes, proceder à limpeza ou quando não em uso.

AVISO: Não utilize quaisquer acessórios para além dos recomendados pela EGO™. A utilização de acessórios que não sejam recomendados pode dar origem a lesões pessoais sérias.

Antes de cada utilização, verifique se há peças soltas, danificadas ou em falta, tais como parafusos, porcas, tampões, etc. Aperte bem todos os fixadores e tampões e não utilize este produto, sem substituir primeiro todas as peças danificadas ou em falta.

APLICAÇÃO

HT2410E: Pode utilizar este produto para cortar sebes, arbustos e moitas com um diâmetro de ramo inferior a 26 mm (HT2410E) / ø25 mm (HT2000E).

AVISO: A ferramenta só deve ser utilizada para o seu propósito destinado. Qualquer outra utilização será considerada má utilização.

INSTALAR/RETIRAR A BATERIA

Use apenas com baterias e carregadores listados na Imagem A2.

Carregue antes da primeira utilização.

Para instalar (Fig. B)

Alinhe as abas da bateria com as ranhuras de fixação e empurre a bateria para baixo até ouvir um “clique”.

Para retirar (Fig. C)

Prima o botão de libertação da bateria e puxe a bateria para fora.

AVISO: Certifique-se sempre da localização dos seus pés, de crianças ou animais quando premir o botão de libertação da bateria. Se a bateria cair, podem ocorrer lesões sérias. NUNCA retire a bateria num local elevado.

SEGURAR O CORTA-SEBES (Imagem D, E e F)

A unidade tem uma pega dianteira e traseira. Com a lâmina afastada de si, segure a unidade com ambas as pegas. A alavanca do interruptor na pega dianteira pode ser ativada em qualquer um dos três lados, dando-lhe muitas opções para um segurar confortável quando efetuar operações de corte.

AVISO: Mantenha sempre ambas as mãos nas pegas do corta-sebes. Nunca segure arbustos com uma mão e o corta-sebes com a outra. Não seguir este aviso pode dar origem a lesões pessoais sérias.

LIGAR/DESLIGAR O CORTA-SEBES

Antes de colocar em funcionamento, retire a proteção e segure o corta-sebes com ambas as mãos, com uma mão na pega traseira e a outra na pega dianteira. Depois, verifique se existe equilíbrio, posicionamento vertical e uma distância de corte apropriada.

PARA LIGAR

1. Instalar a bateria.
2. Prima e mantenha premida a alavanca do interruptor na pega dianteira com uma mão.
3. Prima e mantenha premido o botão de desbloqueio com o polegar da sua outra mão, e depois pressione a alavanca do interruptor traseira com os dedos para ligar o corta-sebes. Liberte o botão de desbloqueio e continue a premir o gatilho para uma utilização prolongada.

PARA PARAR

Afaste o corta-sebes da área de corte e liberte a alavanca do interruptor traseira para desligar o corta-sebes.

AVISO: Retire sempre a bateria do corta-sebes durante pausas de trabalho e após terminar o trabalho.

UTILIZAR O CORTA-SEBES

AVISO: Se a lâmina ficar presa em qualquer fio elétrico, **NÃO TOQUE NA LÂMINA! PODE ESTAR SOB TENSÃO E SER MUITO PERIGOSO.** Continue a segurar o corta-sebes pela pega traseira isolada ou pouso-o afastado de si, de forma segura. Desligue a alimentação elétrica do fio danificado antes de tentar libertar a lâmina do fio. Não seguir este aviso pode dar origem a lesões pessoais sérias ou possibilidade de morte.

AVISO: Evite cortar demasiado de uma só vez ou através de muitos arbustos. Isso pode fazer com que as lâminas prendam e abrandem, reduzindo a eficiência de corte.

AVISO: O corta-sebes deverá ser usado para cortar hastes com uma espessura inferior a 26 mm.

AVISO: Para um novo crescimento, um desbaste amplo é adequado para as hastes que alimentam diretamente a lâmina de corte. Para um crescimento mais antigo, um movimento de serra é bom para cortar as hastes mais grossas. Uma serra manual ou serra de poda é sugerida para cortar primeiro as hastes mais largas.

Corte superior

Utilize um movimento de desbaste amplo. Uma ligeira inclinação para baixo das lâminas de corte, na direção do movimento, oferece um melhor resultado de corte. Para um melhor efeito de corte, também pode utilizar o aparador para guiar o nível da sebe, como apresentado na Fig. G.

Corte lateral

Quando cortar as partes laterais da sebe, comece do fundo e vá cortando para cima, como apresentado na Fig. H. Corte a parte lateral de uma sebe de modo a que fique ligeiramente mais estreita no topo. Esta forma expõe mais a sebe à luz do sol, dando origem a um crescimento mais uniforme.

MANUTENÇÃO

⚠ AVISO: Quando fizer reparações, utilize apenas peças sobressalentes idênticas. A utilização de outras peças pode criar um perigo ou provocar danos no produto. Para assegurar a segurança e bom funcionamento, todas as reparações deverão ser efetuadas por um técnico de reparação qualificado.

⚠ AVISO: Para evitar lesões pessoais sérias, retire sempre a bateria do produto quando limpar ou efetuar qualquer manutenção.

LIMPEZA

- Use uma escova suave para retirar o lixo das entradas de ar e da lâmina de corte
- Para retirar a resina e outros resíduos colantes, pulverize as lâminas com solvente para resina. Deixe o motor funcionar durante uns instantes para que o solvente seja distribuído uniformemente.
- Limpe a superfície com um pano seco.

⚠ AVISO: Nunca utilize água para limpar o seu equipamento. Evite utilizar solventes quando limpa peças plásticas. Os plásticos são mais suscetíveis a danos de vários tipos de solventes comerciais. Utilize panos de limpeza limpos para retirar sujidades, pó, óleo, gordura, etc.

AFIAR A LÂMINA DE CORTE

1. Ligue e desligue o seu corta-sebes até que a lâmina de corte e a proteção fiquem ligeiramente desalinhadas, conforme apresentado na Imagem I. Isto permite uma folga para limar entre os dentes de corte e os dentes da proteção.
2. Retire a bateria do corta-sebes.
3. Fixe o conjunto da lâmina num torno e lime a superfície de corte exposta de cada dente da lâmina. Retire o mínimo de material possível. Certifique-se de que mantém o ângulo original de cada dente quando limar.

4. Retire o corta-sebes do torno. Volte a ligar e desligar o aparelho para expor as extremidades que não estão afiadas dos dentes da lâmina.
5. Retire a bateria e repita o processo de afiar apresentado acima.

AVISO: Não utilize o corta-sebes com lâminas de corte que não estejam afiadas ou que estejam danificadas. Isso pode causar sobrecarga e resultar em resultados de corte insatisfatórios.

LUBRIFICAR A LÂMINA (Imagem J)

Para uma utilização facilitada e um maior tempo de vida da lâmina, lubrifique a lâmina do corta-sebes com óleo para máquinas leves antes e após cada utilização.

Retire a bateria e coloque o corta-sebes numa superfície plana. Aplique óleo ao longo da extremidade da lâmina superior.

AVISO: Para um período de uso alargado, lubrifique a lâmina durante o funcionamento de corte.

⚠ AVISO: Não lubrifique enquanto o corta-sebes estiver a funcionar.

TRANSPORTE E ARMAZENAMENTO

- Coloque sempre o protetor da lâmina antes de guardar ou transportar o corta-sebes. Tenha cuidado para evitar os dentes afiados da lâmina.
- Limpe bem o corta-sebes antes de o guardar.
- Guarde o corta-sebes no interior, num local seco e inacessível a crianças.
- Mantenha-o afastado de agentes corrosivos, como químicos de jardinagem e sais de degelo.

⚠ AVISO: As lâminas são afiadas. Quando manusear o conjunto da lâmina, utilize luvas de proteção antiderrapantes e resistentes. Não coloque a mão ou os dedos entre as lâminas ou em qualquer posição em que possam ficar presos ou ser cortados. NUNCA toque nas lâminas nem repare a unidade com a bateria colocada.

Proteção do ambiente



Não elimine equipamento elétrico, bateria gasta nem carregador juntamente com o lixo doméstico comum! Leve este produto a um centro de reciclagem autorizado para que possa haver uma separação das peças. As ferramentas elétricas têm de ser devolvidas em instalações de reciclagem ambientalmente compatíveis.

PT

KEES VAN DER SPEK
TUINMACHINES ★ STOLWIJK

RESOLUÇÃO DE PROBLEMAS

PT

PROBLEMA	CAUSA	SOLUÇÃO
O corta-sebes não funciona.	<ul style="list-style-type: none">■ A bateria não foi colocada no corta-sebes■ Não existe contacto elétrico entre o corta-sebes e a bateria.■ A bateria está gasta.■ A bateria está demasiado quente.■ O corta-sebes está demasiado quente.■ As duas alavancas dianteira e traseira do interruptor não foram pressionadas em simultâneo.■ A lâmina está presa.	<ul style="list-style-type: none">■ Fixe a bateria no corta-sebes.■ Retire a bateria, verifique os contactos e volte a instalar a bateria.■ Carregue a bateria.■ Retire a bateria da ferramenta e deixe-a arrefecer até que a temperatura atinja menos de 67 °C.■ Liberte ambas as alavancas do interruptor e deixe o corta-sebes arrefecer até à temperatura normal.■ Prima primeiro o botão de desbloqueio e depois pressione as alavancas dianteira e traseira do interruptor em simultâneo.■ Retire a bateria da ferramenta, retire a obstrução com cuidado e depois volte a inserir a bateria e a reiniciar a ferramenta.
Vibração excessiva ou ruído.	<ul style="list-style-type: none">■ Lâminas secas ou corroidas.■ As lâminas ou suporte das lâminas está dobrado.■ Dentes dobrados ou danificados.■ Parafusos da lâmina soltos.	<ul style="list-style-type: none">■ Lubrifique as lâminas, tendo em conta a secção "LUBRIFICAR A LÂMINA" deste manual.■ Substitua por uma lâmina ou suporte novo. Contacte o serviço de apoio ao cliente da EGO para substituir a lâmina ou suporte.■ Coloque uma lâmina nova. Contacte o serviço de apoio ao cliente da EGO para efetuar a substituição da lâmina.■ Aperte os parafusos da lâmina. Com uma chave, rode o parafuso no sentido dos ponteiros do relógio para apertar.

GARANTIA

POLÍTICA DE GARANTIA EGO

Visite o website egopowerplus.com para os termos e condições completos da política de garantia da EGO.

LEGGERE TUTTE LE ISTRUZIONI!



LEGGERE IL MANUALE DI ISTRUZIONI

AVVERTENZA! Rischi residui! Le persone portatrici di dispositivi elettronici, ad esempio pacemaker, devono consultare il proprio medico prima di usare questo prodotto. L'uso di apparecchi elettrici in prossimità di pacemaker cardiaci comporta il rischio di interferenze o malfunzionamento del pacemaker.

AVVERTENZA! Per garantire sicurezza e affidabilità, tutte le riparazioni e sostituzioni devono essere eseguite da un tecnico qualificato.

IT

SIMBOLI DI SICUREZZA

AVVERTENZA! L'uso di utensili elettrici può causare il lancio di oggetti estranei verso l'operatore, con il rischio di lesioni gravi agli occhi. Durante l'uso dell'apparecchio, indossare sempre occhiali protettivi o occhiali di sicurezza con protezioni laterali e, se necessario, una maschera facciale. Si consiglia di indossare una maschera di sicurezza con ampio campo visivo sopra gli occhiali o occhiali di sicurezza standard con protezioni laterali.



Avvertenza di sicurezza



Per ridurre il rischio di infortunio, l'operatore deve leggere il manuale di istruzioni.



Non usare l'apparecchio in caso di pioggia e non lasciarlo all'aperto quando piove.



Livello di potenza sonora garantito Emissione acustica ambientale conforme alla direttiva dell'Unione europea.



Questo prodotto è conforme alle direttive europee applicabili.



I prodotti elettrici non devono essere smaltiti insieme ai rifiuti domestici. Portarli presso un centro di riciclaggio autorizzato.



Durante l'uso del prodotto, indossare sempre occhiali protettivi o occhiali di sicurezza con protezioni laterali e una maschera facciale.



Non tentare di usare l'utensile elettrico con una sola mano. La perdita di controllo dell'utensile elettrico comporta il rischio di lesioni gravi o fatali. Per ridurre il rischio di lesioni da taglio, tenere mani e piedi lontani dall'accessorio di taglio. Non toccare un accessorio di taglio in movimento con le mani o altre parti del corpo.



Lunghezza della lama



Capacità di taglio max. della lama

V Tensione

— Corrente continua

.../min Al minuto

mm Millimetro

cm Centimetro

n_0 Velocità a vuoto

SPECIFICHE TECNICHE

Modello	HT2410E	HT2000E
Voltaggio	56 V ---	56 V ---
Velocità a vuoto	1500 /min	1500 /min
Lunghezza di taglio	61 cm	51 cm
Profondità di taglio	26 mm	25 mm
Peso (senza gruppo batteria)	3,1 kg	2,9 kg
Temperatura di funzionamento raccomandata	Da 0°C a 40°C	Da 0°C a 40°C
Temperatura di conservazione raccomandata	Da -20°C a 70°C	Da -20°C a 70°C
Livello di potenza sonora misurato L_{WA}	94,47 dB(A) K=1,5 dB(A)	91,24 dB(A) K=1,03 dB(A)
Livello di pressione sonora a livello dell'operatore L_{PA}	83,9 dB(A) K=3,0 dB(A)	80,62 dB(A) K=3,0 dB(A)
Livello di potenza sonora garantito L_{WA} (secondo 2000/14/EC)	96 dB(A)	92 dB(A)
Vibrazioni a_r	Impugnatura anteriore	1,8 m/s ² K=1,5 m/s ²
	Impugnatura posteriore	1,7 m/s ² K=1,5 m/s ²

- Il valore totale di vibrazioni indicato è stato misurato tramite il metodo di collaudo standard e può essere utilizzato per confrontare l'apparecchio con altri prodotti analoghi.
- Il valore totale di vibrazioni indicato può essere utilizzato anche per una valutazione preliminare dei livelli di esposizione.

ATTENZIONE! L'emissione di vibrazioni durante l'uso effettivo dell'apparecchio può variare rispetto al valore indicato in base a come viene utilizzato l'utensile. Per proteggersi, l'operatore deve indossare guanti e dispositivi di protezione per le orecchie in base alle reali condizioni d'uso.

CONTENUTO DELLA CONFEZIONE (FIG. A1)

DESCRIZIONE

DESCRIZIONE DEL TAGLIASIEPI (Fig. A1)

1. Foro di aggancio
2. Protezione della punta
3. Lama
4. Protezione della mano
5. Impugnatura anteriore
6. Pulsante di sbloccaggio
7. Impugnatura posteriore
8. Pulsante di rilascio della batteria
9. Dispositivo di chiusura
10. Contatti elettrici
11. Slot di montaggio della batteria
12. Espulsione batteria
13. Interruttore a leva posteriore
14. Interruttore a leva anteriore
15. Foro di aggancio
16. Coprilama

AVVERTENZA! Questo prodotto è uscito dalla fabbrica completamente assemblato. La protezione della mano non deve essere mai rimossa durante l'uso. In caso di danni, farla sostituire subito da un tecnico qualificato.

AVVERTENZA! L'uso sicuro di questo prodotto richiede la comprensione delle informazioni riportate sull'apparecchio e in questo manuale e la conoscenza del progetto di lavoro. Prima di usare l'apparecchio, familiarizzarsi con tutte le funzioni operative e le norme di sicurezza.

FUNZIONAMENTO

AVVERTENZA! La familiarità con questo apparecchio non deve rendere l'operatore disattento. Anche un solo momento di disattenzione comporta il rischio di lesioni gravi.

AVVERTENZA! Indossare sempre protezioni per gli occhi con protezioni laterali e protezioni per le orecchie. Il mancato rispetto di questa istruzione comporta il rischio di oggetti proiettati verso gli occhi dell'operatore e altre lesioni gravi.

AVVERTENZA! Per evitare l'avvio accidentale e il conseguente rischio di lesioni gravi, rimuovere sempre il gruppo batteria dall'apparecchio durante l'assemblaggio dei componenti, le operazioni di regolazione e pulizia e quando non è in uso.

⚠ AVVERTENZA! Non usare accessori non raccomandati da EGO™. L'uso di accessori non raccomandati comporta il rischio di lesioni gravi.

Prima di ogni utilizzo, ispezionare l'intero apparecchio per verificare che nessun elemento sia mancante e non siano presenti componenti danneggiati o allentati, ad esempio viti, dadi, bulloni, tappi, ecc. Serrare saldamente tutti i dispositivi di fissaggio e le coperture e non usare l'apparecchio finché tutti componenti mancanti o danneggiati non vengono sostituiti.

DESTINAZIONE D'USO

HT2410E: questo apparecchio è destinato alla rifinitura di siepi, arbusti e cespugli con rami di diametro inferiore a $\varnothing 26$ mm (HT2410E) / $\varnothing 25$ mm (HT2000E).

ATTENZIONE! Usare l'apparecchio esclusivamente per gli scopi previsti. Altri utilizzi sono da considerarsi uso improprio.

INSTALLARE/RIMUOVERE IL GRUPPO BATTERIA

Usare l'apparecchio esclusivamente con i gruppi batteria e i caricabatteria elencati in Fig. A2.

Ricaricare prima del primo utilizzo.

Installazione (Fig. B)

Allineare i rilievi sul gruppo batteria con le scanalature di assemblaggio e premere il gruppo batteria fino a udire un "clic".

Rimozione (Fig. C)

Premere il pulsante di rilascio della batteria ed estrarre il gruppo batteria.

⚠ AVVERTENZA! Prestare sempre attenzione ai propri piedi e all'eventuale presenza di bambini o animali attorno a sé durante la rimozione del gruppo batteria. La caduta del gruppo batteria comporta il rischio di lesioni gravi. Non rimuovere MAI il gruppo batteria quando si è in posizione elevata.

COME TENERE IL TAGLIASIEPI (Fig. D, E & F)

L'apparecchio è dotato di un'impugnatura anteriore e di un'impugnatura posteriore. Con la lama lontana dal corpo, afferrare il tagliasiepi per entrambe le impugnature. L'interruttore a leva anteriore è attivabile da uno qualsiasi dei tre lati, permettendo una presa agevole durante le operazioni di taglio.

⚠ AVVERTENZA! Tenere sempre entrambe le mani sulle impugnature del tagliasiepi. Non tenere mai il cespuglio con una mano e il tagliasiepi in funzione con l'altra mano. Il mancato rispetto di questa avvertenza comporta il rischio di lesioni gravi.

AVVIARE/ARRESTARE IL TAGLIASIEPI

Prima di avviare il tagliasiepi, rimuovere il coprilama e tenere il tagliasiepi con entrambe le mani: una mano sull'impugnatura posteriore e l'altra sull'impugnatura anteriore. Assumere quindi una posizione eretta e in equilibrio e osservare una corretta distanza di taglio.

AVVIO

1. Installare il gruppo batteria.
2. Tenere premuto l'interruttore a leva anteriore con una mano.
3. Per avviare l'apparecchio, tenere premuto il pulsante di sbloccaggio con il pollice dell'altra mano e contemporaneamente premere l'interruttore a leva posteriore con le dita. Rilasciare il pulsante di sbloccaggio e continuare a premere l'interruttore per il funzionamento continuato.

ARRESTO

Spostare il tagliasiepi lontano dall'area di taglio e rilasciare l'interruttore a leva posteriore per arrestare il tagliasiepi.

⚠ AVVERTENZA! Rimuovere sempre il gruppo batteria dal tagliasiepi durante le pause e al termine del lavoro.

COME USARE IL TAGLIASIEPI

⚠ AVVERTENZA! Se la lama si inceppa in un cavo elettrico, **NON TOCCARE LA LAMA! PUÒ DIVENTARE ELETTRIFICATA E MOLTO PERICOLOSA.** Continuare a tenere il tagliasiepi tramite l'impugnatura isolata posteriore o appoggiarlo lontano da sé in modo sicuro. Scollegare la fonte di alimentazione del cavo danneggiato prima di tentare di sbloccare la lama dal cavo. Il mancato rispetto di questa avvertenza comporta il rischio di lesioni gravi o mortali.

⚠ AVVERTENZA! Evitare di tagliare una quantità eccessiva di materiale in una volta sola o cespugli troppo folti per evitare che le lame si pieghino e rallentino, riducendo l'efficienza di taglio.

NOTA: questo apparecchio deve essere usato per tagliare rami di spessore inferiore a (26 cm).

ATTENZIONE! Durante il taglio di vegetazione giovane, usare un movimento ampio, affinché la lama di taglio raggiunga direttamente i rami. La vegetazione meno giovane ha rami più spessi: per facilitare il taglio, usare un movimento a sega. Usare una sega a mano o delle cesoie per tagliare preventivamente i rami più spessi.

Taglio superiore

Usare un movimento ampio. Una leggera inclinazione delle lame di taglio verso il basso in direzione del movimento darà i migliori risultati di taglio. È anche possibile usare una corda come guida durante il taglio, come illustrato in Fig. G.

Taglio laterale

Durante il taglio dei lati della siepe, iniziare dal basso e tagliare verso l'alto, come illustrato in Fig. H. Tagliare i lati della siepe in modo tale che siano leggermente più stretti in cima. Tale forma permette di esporre una parte maggiore della siepe alla luce del sole, assicurando una crescita più uniforme.

MANUTENZIONE

AVVERTENZA! Per la riparazione dell'apparecchio, usare esclusivamente parti di ricambio identiche. L'uso di altri ricambi comporta situazioni pericolose o il rischio di danni all'apparecchio. Per garantire sicurezza e affidabilità, tutte le riparazioni e sostituzioni devono essere eseguite da un tecnico qualificato.

AVVERTENZA! Per evitare lesioni gravi, rimuovere sempre il gruppo batteria dall'apparecchio prima delle operazioni di pulizia o manutenzione.

PULIZIA

- Usare una piccola spazzola per rimuovere i detriti dalle aperture di ventilazione e dalla lama di taglio.
- Per rimuovere catrame e altri residui collosi, spruzzare sulle lame del solvente per resine. Avviare brevemente il motore affinché il solvente si distribuisca omogeneamente.
- Pulire la superficie con un panno asciutto.

AVVERTENZA! Non usare mai acqua per pulire l'apparecchio. Evitare l'uso di solventi durante la pulizia delle parti in plastica. La maggior parte dei materiali plastici può essere danneggiata da diversi tipi di solventi in commercio. Usare un panno pulito per rimuovere sporczia, polvere, olio, grasso, ecc.

AFFILARE LA LAMA DI TAGLIO

1. Avviare e arrestare il taglia siepi finché la lama e il coprilama sono leggermente sfasati, come mostra la Fig. I. In questo modo, si crea uno spazio sufficiente per la lima tra i denti della lama e quelli del coprilama.
2. Rimuovere il gruppo batteria dal taglia siepi.
3. Serrare il gruppo lama in una morsa e affilare la superficie di taglio esposta di ogni tagliente. Rimuovere meno materiale possibile. Assicurarsi di mantenere l'angolo originale di ogni tagliente durante l'affilatura.
4. Rimuovere il taglia siepi dalla morsa, riavviarlo e arrestarlo per esporre i bordi non affilati dei taglienti.
5. Rimuovere il gruppo batteria e ripetere la procedura di affilatura riportata nei passaggi precedenti.

ATTENZIONE! Non usare il taglia siepi con una lama di taglio smussata o danneggiata per evitare il rischio di surriscaldamento e risultati di taglio non soddisfacenti.

LUBRIFICAZIONE DELLA LAMA (Fig. J)

Per le migliori prestazioni e una maggiore durata di vita, lubrificare la lama del taglia siepi con dell'olio per macchine leggero prima e dopo ogni utilizzo.

Rimuovere il gruppo batteria e appoggiare l'apparecchio su una superficie piana. Applicare il lubrificante sulla punta della lama superiore.

ATTENZIONE! Per una maggiore durata operativa, lubrificare la lama durante l'uso.

AVVERTENZA! Non lubrificare la lama mentre il taglia siepi è in funzione.

TRASPORTO E CONSERVAZIONE

- Posizionare sempre il coprilama sulla lama prima di trasportare o riporre il taglia siepi. Prestare attenzione per evitare il contatto con i denti affilati della lama.
- Pulire accuratamente il taglia siepi prima di riporlo.
- Conservare il taglia siepi in un luogo al chiuso, asciutto e inaccessibile ai bambini.
- Tenerlo al riparo da agenti corrosivi, ad esempio sostanze chimiche per il giardinaggio e sale per disgelo.

AVVERTENZA! Le lame sono affilate. Durante la manipolazione del gruppo lama, indossare guanti protettivi robusti e antiscivolo. Non posizionare la mano o le dita tra le lame o in qualsiasi posizione in cui potrebbero venire schiacciate o tagliate. Non toccare MAI le lame e non riparare l'apparecchio con il gruppo batteria installato.

Protezione dell'ambiente

Gli apparecchi elettrici, i caricabatteria e le batterie non devono essere smaltiti insieme ai rifiuti domestici. Portare il prodotto presso un centro di riciclaggio autorizzato affinché venga raccolto separatamente. Gli apparecchi elettrici devono essere portati presso un centro di riciclaggio ecocompatibile.

IT

KEES VAN DER SPEK
TUINMACHINES ★ STOLWIJK

RISOLUZIONE DEI PROBLEMI

IT

PROBLEMA	CAUSA	SOLUZIONE
Il tagliasiepi non funziona.	<ul style="list-style-type: none"> ■ Il gruppo batteria non è installato sul tagliasiepi. ■ Il contatto elettrico tra il tagliasiepi e la batteria è mancante. ■ Il gruppo batteria è scarico. ■ Il gruppo batteria è troppo caldo. ■ Il tagliasiepi è troppo caldo. ■ I due interruttori a leva non sono stati premuti contemporaneamente. ■ La lama è inceppata. 	<ul style="list-style-type: none"> ■ Installare il gruppo batteria sul tagliasiepi. ■ Rimuovere la batteria, ispezionare i contatti e reinstallare il gruppo batteria. ■ Ricaricare il gruppo batteria. ■ Rimuovere il gruppo batteria dall'apparecchio e attendere che la temperatura scenda al di sotto di 67 °C. ■ Rilasciare entrambi gli interruttori a leva; attendere che la temperatura del tagliasiepi ritorni normale. ■ Premere innanzitutto il pulsante di sbloccaggio, quindi premere simultaneamente gli interruttori a leva anteriore e posteriore. ■ Rimuovere il gruppo batteria dall'apparecchio, rimuovere attentamente l'ostruzione, quindi reinserire la batteria e riavviare il tagliasiepi.
Eccessive vibrazioni o rumore.	<ul style="list-style-type: none"> ■ Le lame sono asciutte o corrose. ■ Le lame o il supporto della lama sono piegati. ■ I denti sono piegati o danneggiati. ■ I bulloni della lama sono allentati. 	<ul style="list-style-type: none"> ■ Lubrificare le lame seguendo le istruzioni alla sezione "LUBRIFICARE LA LAMA" di questo manuale. ■ Sostituire con una lama nuova o un supporto nuovo. Contattare il centro di assistenza EGO per la sostituzione della lama o del supporto. ■ Sostituire con una lama nuova. Contattare il centro di assistenza EGO per la sostituzione della lama. ■ Serrare i bulloni della lama. Con una chiave, ruotare il bullone in senso orario per serrarlo.

GARANZIA

CONDIZIONI DELLA GARANZIA EGO

Visitare il sito web egopowerplus.com per consultare le condizioni complete della garanzia EGO.

LEES ALLE INSTRUCTIES!



LEES DE GEBRUIKSAANWIJZING

⚠ WAARSCHUWING: Restriccio! Personen met elektronische apparaten zoals pacemakers, moeten eerst hun arts(en) raadplegen voordat ze dit product gebruiken. De werking van een elektrisch apparaat in de nabijheid van een pacemaker kan een storing of defect van de pacemaker veroorzaken.

⚠ WAARSCHUWING: Om een continue veiligheid en betrouwbaarheid te waarborgen, dienen alle reparaties en vervangingen van onderdelen uitgevoerd te worden door een gekwalificeerde servicemonteur.

NL

VEILIGHEIDSSYMBOLEN

⚠ WAARSCHUWING: Het gebruik van elektrische gereedschappen kan leiden tot het rondslingeren van (vreemde) objecten die in uw ogen kunnen terechtkomen. Dit kan leiden tot ernstig oogletsel. Wanneer u elektrische apparaten gebruikt, zorg er dan voor dat u altijd een veiligheidsbril (met zijschermen) of een gelaatsscherm draagt. We bevelen aan om een gelaatsscherm over uw bril of standaard veiligheidsbril met zijschermen te gebruiken.



Veiligheidswaarschuwing



De gebruiker moet de gebruiksaanwijzing lezen om het risico op letsel te beperken.



Gebruik het apparaat niet in de regen en laat het tevens niet buiten achter als het regent.



Gewaarborgd geluidsniveau. Geluidsemissie voor de omgeving in overeenstemming met de richtlijnen van de Europese Unie.



Dit product is in overeenstemming met de EG-richtlijnen.



Gooi elektrisch afval niet via het huishoudelijk afval weg. Breng het naar een geautoriseerd recyclingbedrijf.



Draag altijd een veiligheidsbril met zijschermen en een gelaatsscherm als u dit product gebruikt.



Probeer nooit uw elektrisch gereedschap met één hand te bedienen. Controleverlies over het elektrisch gereedschap kan resulteren in ernstig of fataal letsel. Om het risico op snijwonden te verminderen, dient u handen en voeten uit de buurt van het snijgereedschap te houden. Raak nooit een bewegend snijgereedschap aan met uw hand of een ander deel van uw lichaam.



De lengte van het blad



Max. snijcapaciteit van het blad

V Spanning

≡ Gelijkstroom

.../min Per minuut

mm Millimeter

cm Centimeter

n_0 Snelheid zonder belasting

SPECIFICATIES

Model	HT2410E	HT2000E
Spanning	56 V ---	56 V ---
Snelheid zonder belasting	1500 /min	1500 /min
Snijlengte	61 cm	51 cm
Snijvermogen	26 mm	25 mm
Gewicht (zonder accupack)	3,1 kg	2,9 kg
Aanbevolen bedrijfstemperatuur	0°C-40°C	0°C-40°C
Aanbevolen opslagtemperatuur	-20°C-70°C	-20°C-70°C
Gemeten geluidsvermogensniveau L_{WA}	94,47 dB(A) K=1,5 dB(A)	91,24 dB(A) K=1,03 dB(A)
Geluidsdruk niveau aan positie van bediener L_{PA}	83,9 dB(A) K=3,0 dB(A)	80,62 dB(A) K=3,0 dB(A)
Gegarandeerd geluidsvermogensniveau L_{WA} (conform 2000/14/EG)	96 dB(A)	92 dB(A)
Trilling a_h	Voorste handvat	1,8 m/s ² K=1,5 m/s ²
	Achterste handgreep	1,7 m/s ² K=1,5 m/s ²

De opgegeven totale vibratiewaarde is gemeten volgens de standaard testmethode en kan worden gebruikt om het apparaat met een ander apparaat te vergelijken;

- De opgegeven totale vibratiewaarde kan ook worden gebruikt in een voorafgaande beoordeling op blootstelling.

MEDEDELING: De vibratie-afgifte tijdens het werkelijk gebruik van het elektrisch gereedschap kan verschillen van de opgegeven totale waarde; Om de bediener te beschermen dient de gebruiker tijdens het gebruik handschoenen en gehoorbescherming te dragen.

INHOUD VAN DE VERPAKKING (AFB. A1) BESCHRIJVING

KEN UW HEGGENSCHAAR (afb. A1)

- Ophanggat
- Puntbeschermer

- Zaagblad
- Handscherf
- Voorste handgreep
- Ontgrendelingsknop
- Achterste handgreep
- Accuvrijgaveknop
- Vergrendeling
- Elektrische contacten
- Montagegleuf voor accu
- Vrijgave voor accu
- Achterste schakelaar
- Voorste schakelaar
- Ophanggat
- Zaagbladbeschermer

WAARSCHUWING: Dit product werd reeds volledig gemonteerd verzonden. Verwijder nooit het handscherf tijdens het gebruik. Indien beschadigd, laat het onmiddellijk vervangen door een vakbekwame technicus.

WAARSCHUWING: Om dit product op een veilige manier te gebruiken, moet men zowel de informatie vermeld op het gereedschap en in deze gebruikershandleiding goed begrijpen als een goede kennis hebben van de taak die men wilt uitvoeren. Voordat u dit product gebruikt, maak uzelf vertrouwd met alle gebruiksfuncties en veiligheidsvoorschriften.

WERKING

WAARSCHUWING: Vertrouwdheid kan leiden tot onvoorzichtigheid. Opgelet, één seconde van onvoorzichtigheid kan ernstig letsel teweegbrengen.

WAARSCHUWING: Draag altijd oogbescherming met zijschermen en gehoorbescherming. Het niet dragen van deze beschermingsuitrusting kan ertoe leiden dat voorwerpen in uw ogen terechtkomen of kan een ander ernstig letsel veroorzaken.

WAARSCHUWING: Om het per ongeluk starten van het gereedschap, wat persoonlijk letsel kan veroorzaken, te voorkomen, dient u altijd het accupack uit het gereedschap te halen als u onderdelen monteert, instellingen uitvoert, het reinigt of als het niet in gebruik is.

WAARSCHUWING: Gebruik geen opzetstukken of toebehoren die niet door EGO™ zijn aanbevolen. Het gebruik van niet aanbevolen opzetstukken of toebehoren kan leiden tot ernstig persoonlijk letsel.

Voor elk gebruik, controleer het volledige product op

beschadigde, ontbrekende of losse onderdelen, zoals schroeven, moeren, bouten, etc. Maak alle bevestigingen en doppen stevig vast en gebruik dit product pas opnieuw eenmaal alle ontbrekende of beschadigde onderdelen zijn geplaatst.

TOEPASSING

HT2410E: U mag dit product gebruiken voor het snijden van heggen, struiken en bosjes met een takdiameter van minder dan $\varnothing 26\text{mm}$ (HT2410E) / $\varnothing 25\text{mm}$ (HT2000E).

OPMERKING: Het gereedschap mag alleen voor het voorheen genoemde doeleinde worden gebruikt. Ieder ander gebruik is in dit geval misbruik.

INSTALLEREN/VERWIJDEREN VAN HET ACCUPACK

Gebruik alleen met in afb. A2 vermelde accupacks en opladers.

Voor de eerste ingebruikname opladen.

Installeren (afb. B)

Breng de geleiders van de accu overeen met de montagesleuven en druk het accupack naar beneden totdat u "klik" hoort.

Verwijderen (afb. C)

Druk de accu-ontgrendelingsknop naar beneden en trek het accupack eruit.

⚠ WAARSCHUWING: Houd altijd uw voeten, kinderen of huisdieren die zich in de buurt bevinden in het oog wanneer u op de accuvrijgaveknop drukt. Ernstig letsel kan zich voordoen wanneer de accu valt. Haal het accupack NOOIT uit wanneer u zich in een hoge positie bevindt.

DE HEGGENSCHAAR VASTHOUDEN (Fig. D, E en F)

Het gereedschap is voorzien van een handgreep zowel voor- als achteraan. Met het zaagblad weg van u gericht, houd het apparaat met gebruik van beide handgrepen vast. De schakelaar op de voorste handgreep kan vanaf de drie kanten worden geactiveerd, zodat u tijdens het zagen steeds een comfortabele grip hebt.

⚠ WAARSCHUWING: Houd altijd beide handen op de handgrepen. Houd nooit struiken met uw ene hand vast terwijl u de heggenschaar met uw andere hand bedient. Het negeren van deze waarschuwing kan leiden tot ernstig letsel.

DE HEGGENSCHAAR STARTEN/STOPPEN

Voor het gebruik dient u de afscherming te verwijderen en de trimmer met beide handen vast te houden, één hand aan de achterste handgreep en één aan de voorste handgreep. Controleer vervolgens of u stevig en mooi rechtop staat en zich op een gepaste snoei-afstand bevindt.

STARTEN

1. Installeer de accu.
2. Druk en houd de schakelaar op de voorste handgreep met één hand ingedrukt
3. Druk en houd de ontgrendelingsknop met de duim van uw andere hand ingedrukt. Knijp vervolgens de achterste schakelaar met uw vingers dicht om de heggenschaar te starten. Laat de ontgrendelingsknop los en houd de drukschakelaar ingedrukt voor continu gebruik.

STOPPEN

Breng de heggenschaar weg van de snoeizone en laat de achterste schakelaar los om de heggenschaar te stoppen.

⚠ WAARSCHUWING: Haal altijd de accu uit de heggenschaar wanneer u een pauze inlast of na gebruik van het gereedschap.

DE HEGGENSCHAAR GEBRUIKEN

⚠ WAARSCHUWING: Als het zaagblad in een elektrische kabel of leiding vast komt te zitten, **RAAK HET ZAAGBLAD NIET AAN! DEZE KAN ONDER STROOM STAAN EN GEVAAR OPLEVEREN.** Blijf de heggenschaar bij het geïsoleerd achterste handvat vasthouden of leg het neer en uit uw buurt op een veilige manier. Ontkoppel de stroomtoevoer naar de beschadigde leiding of kabel voordat u probeert om het zaagblad van de leiding of kabel los te maken. Het negeren van deze waarschuwing kan leiden tot ernstig letsel of de dood.

⚠ WAARSCHUWING: Voorkom dat u te veel in één keer snijdt of door te dikke takken snijdt. De zaagbladen kunnen vastklemmen en vertragen wat voor lagere snoeiresultaten zorgt.

OPMERKING: Gebruik de heggenschaar alleen voor het snijden van stammen minder dan 26 mm dik.

OPMERKING: Voor nieuwe groei is een brede, zwaaiende beweging voldoende om de stammen rechtstreeks in het zaagblad terecht te laten komen. Voor oudere groei is een zaagbeweging goed voor het trimmen van dikkere stammen. Een stroomloze zaag of snoeizaag is aan te raden voor het zagen van dikke stammen.

De bovenkant snoeien

Gebruik een brede, zwaaiende beweging. Een lichtjes neerwaartse schuine stand van de zaagbladen in de bewegingsrichting zorgt voor de beste snoeiresultaten. Voor een beter zaageffect kunt u ook een koord gebruiken om het niveau van de heg te begeleiden zoals weergegeven in afb. G.

De zijkant snoeien

Voor het snoeien van de zijkant van de haag, start onderaan en snoei omhoog zoals weergegeven in fig. H. Snoei de zijkant van de haag zodat de bovenkant iets nauwer is dan de onderkant. Deze vorm stelt de haag meer bloot aan het zonlicht en zorgt voor een meer uniforme groei.

ONDERHOUD

NL

⚠ WAARSCHUWING: Bij reparatie, gebruik uitsluitend identieke reserve-onderdelen. Het gebruik van andere onderdelen kan gevaar opleveren of schade aan het product veroorzaken. Laat alle reparaties uitvoeren door een vakbekwame reparateur om een continue veiligheid en betrouwbaarheid te waarborgen.

⚠ WAARSCHUWING: Om ernstig persoonlijk letsel te voorkomen dient u het accupack voor de reiniging of het onderhoud altijd uit het product te halen.

REINIGING

- Verwijder alle vuil van de luchtinlaten en het zaagblad met behulp van een zachte borstel.
- Om pek en andere kleefresten te verwijderen, besprenkel de zaagbladen met harsoplosmiddel. Draai de motor kortstondig zodat het oplosmiddel gelijkmatig wordt verdeeld.
- Maak het oppervlak schoon met een droge doek.

⚠ WAARSCHUWING: Maak uw grastrimmer nooit schoon met water. Maak de kunststof onderdelen niet schoon met oplosmiddelen. De meeste kunststoffen kunnen door verschillende soorten van commercieel beschikbare oplosmiddelen schade oplopen. Gebruik een schone doek voor het verwijderen van vuil, stof, olie, smeer, etc.

HET ZAAGBLAD SLIJPEN

1. Start en stop uw heggenchaar totdat het zaagblad en het scherm lichtjes uiteen zijn, zoals weergegeven in Fig I. Dit zorgt voor ruimte voor de vijl tussen de zaag- en beschermtanden.
2. Haal de accu uit de heggenchaar.
3. Klem het zaagbladgedeelte in een bankschroef vast en vijl het blootgesteld snijoppervlak van elke zaagtand. Verwijder zo weinig mogelijk materiaal. Bewaar de originele hoek van elke tand tijdens het vijlen.
4. Verwijder de heggenchaar uit de bankschroef, start en stop het gereedschap zodat de ongevijde randen van elke zaagtand worden onthuld.

5. Verwijder de accu en herhaal bovenstaande slijpprocedure.

OPMERKING: Gebruik uw heggenchaar niet wanneer de zaagbladen bot of beschadigd zijn. Dit kan tot overbelasting van het gereedschap en ontoereikende snoeieresultaten leiden.

HET ZAAGBLAD SMEREN (Fig. J)

Voor de beste werking en een langere levensduur van het zaagblad, smeer het zaagblad met hoogwaardige machine-olie voor en na elk gebruik.

Verwijder de accu en plaats de trimmer op een vlakke ondergrond. Breng de olie langs de bovenste rand van het zaagblad aan.

OPMERKING: Voor een langere gebruiksperiode dient u het blad tijdens het zagen van olie te voorzien.

⚠ WAARSCHUWING: Breng geen olie aan terwijl de heggenchaar in werking is.

TRANSPORT EN OPSLAG

- Plaats de afscherming altijd op het zaagblad voordat u de heggenchaar opbergt of transporteert. Let op voor de scherpe tanden van het zaagblad.
- Maak de heggenchaar grondig schoon voordat u deze opbergt.
- Berg de heggenchaar binnenshuis op in een droge ruimte die voor kinderen ontoegankelijk is.
- Houd uit de buurt van corrosieve middelen, zoals tuinchemicaliën en strooizout.

⚠ WAARSCHUWING: De zaagbladen zijn scherp, Wanneer u het zaagbladgedeelte aanraakt, draag slipvastes en stevige werkhandschoenen. Steek uw hand of vingers niet tussen de zaagbladen of in een positie waar deze letsel kunnen oplopen of geklemd kunnen raken. Raak de zaagbladen NOOIT aan en voer geen onderhoud op het gereedschap uit wanneer het accupack geïnstalleerd is.

Het milieu beschermen



Gooi geen elektrische apparatuur, gebruikte batterijen en laders weg via het huishoudelijk afval! Geef dit product af bij een geautoriseerd recyclingbedrijf en zorg dat het apart kan worden ingezameld. Elektrisch gereedschap moet worden afgegeven voor een milieuvriendelijke recycling.

PROBLEEMOPLOSSING

PROBLEEM	OORZAAK	OPLOSSING
De heggen-schaar werkt niet.	<ul style="list-style-type: none"> ■ Het accupack is niet met de heggenschaar verbonden. ■ Er is geen elektrisch contact tussen de heggenschaar en accu. ■ Het accupack is uitgeput. ■ Het accupack is te warm. ■ De heggenschaar is te warm. ■ De voorste en achterste schakelaar zijn niet gelijktijdig ingedrukt. ■ Het zaagblad zit vast. 	<ul style="list-style-type: none"> ■ Verbind het accupack met de heggenschaar. ■ Verwijder het accupack, controleer de aansluitklemmen en plaats het accupack terug. ■ Laad het accupack op. ■ Haal het accupack uit het gereedschap en laat afkoelen totdat de temperatuur lager dan 67°C is. ■ Laat beide schakelaars los en laat de heggenschaar afkoelen totdat de temperatuur afneemt tot een normale temperatuur. ■ Druk eerst op de ontgrendelingsknop en druk dan de schakelaar op zowel de voorste als achterste handgreep tegelijkertijd in. ■ Verwijder het accupack uit het gereedschap, verwijder voorzichtig het obstakel, breng vervolgens het accupack opnieuw in en start het gereedschap opnieuw.
Overmatige trilling of geluid.	<ul style="list-style-type: none"> ■ Droge of verroeste zaagbladen. ■ Zaagbladen of zaagbladhouder is gebogen. ■ Gebogen of beschadigde tanden. ■ Losse zaagbladbouten. 	<ul style="list-style-type: none"> ■ Smeer de zaagbladen. Zie sectie "HET ZAAGBLAD SMEREN" in deze handleiding. ■ Vervang door een nieuw zaagblad of de houder. Neem contact op met het EGO servicecentrum voor het vervangen van het zaagblad of de houder. ■ Vervang door een nieuw zaagblad. Neem contact op met het EGO servicecentrum voor het vervangen van het zaagblad. ■ Draai de zaagbladbouten vast. Draai de bouten met de klok mee vast met behulp van een moersleutel.

NL

GARANTIE

EGO GARANTIEVOORWAARDEN

Bezoek onze website egopowerplus.com voor alle voorwaarden van de EGO garantie.

LÆS ALLE ANVISNINGER!**LÆS BRUGERVEJLEDNINGEN**

⚠ ADVARSEL: Resterende risiko! Folk med elektroniske anordninger, såsom pacemakere, bør spørge deres læge(r) til råds, før de bruger dette produkt. Betjening af elektrisk udstyr i umiddelbar nærhed af et hjerte pacemaker kan forårsage forstyrrelser eller svigt af pacemakeren.

⚠ ADVARSEL: For at sikre sikkerhed og pålidelighed bør alle reparationer og udskiftninger udføres af en kvalificeret servicetekniker.

DK**SIKKERHEDSSYMBOLER**

⚠ ADVARSEL: Når elværktøjer bruges, er der altid en risiko for at genstande slynges ind i øjnene, som kan føre til alvorlige øjenskader. Inden du begynder elværktøj drift, altid bære beskyttelsesbriller eller sikkerhedsbriller med side skjolde og en fuld ansigtsmaske når det er nødvendigt. Vi anbefaler en Wide Vision Safety Maske til brug over briller eller standard sikkerhedsbriller med sideskærme.



Sikkerhedsadvarsel



For at mindske risikoen for skader skal brugeren læse brugsanvisningen.



Må ikke bruges i regn og må ikke efterlades uden for i regnvejr.



Garanteret lydniveau. Støjemission til miljøet opfylder EF-direktivet.



Dette produkt er i overensstemmelse med gældende EU-direktiver.



Elektriske affaldsprodukter må ikke bortskaffes sammen med husholdningsaffald. Tag det til en godkendt genbrugsplads.



Sørg altid for at bære beskyttelsesbriller eller sikkerhedsbriller med sideskærme, og en fuld ansigtsskærm, når dette produkt bruges.



Forsøg aldrig at betjene dit elværktøj med én hånd. Hvis du mister kontrollen over elværktøjet, kan det forårsage alvorlig personskade eller dødsfald. For at reducere risikoen for at skære sig holdes hænder og fødder væk fra klippeværktøjet. Rør aldrig et arbejdende klippeværktøj med hånden eller nogen anden del af kroppen.



Sværdets længde



Max. Cutting capacity of the blade

V Spænding

Direct Current

.../min Per minut

mm Millimeter

cm Centimeter

n₀ No Load Speed

SPECIFIKATIONER

Model	HT2410E	HT2000E	
Spænding	56 V ---	56 V ---	
Ubelastet hastighed	1500 /min	1500 /min	
Knivens længde	61 cm	51 cm	
Klippekapacitet	26 mm	25 mm	
Vægt (uden batteri)	3,1 kg	2,9 kg	
Anbefalet driftstemperatur	0°C-40°C	0°C-40°C	
Anbefalet opbevaringstemperatur	-20°C-70°C	-20°C-70°C	
Målt lydeffektniveau L_{WA}	94,47 dB(A) K=1,5 dB(A)	91,24 dB(A) K=1,03 dB(A)	
Lydtrykkniveau ved brugerens placering i L_{PA}	83,9 dB(A) K=3,0 dB(A)	80,62 dB(A) K=3,0 dB(A)	
Garanteret lydeffektniveau L_{WA} (i henhold til 2000/14/EC)	96 dB(A)	92 dB(A)	
Vibration a_h	Forreste håndtag	1,8 m/s ² K=1,5 m/s ²	2,195 m/s ² K=1,5 m/s ²
	Bageste håndtag	1,7 m/s ² K=1,5 m/s ²	1,836 m/s ² K=1,5 m/s ²

- Den samlede værdi af angivne vibrationer er målt i overensstemmelse med en standardiseret prøvningsmetode og kan anvendes til at sammenligne et værktøj med et andet
- Den samlede angivne værdi for vibrationer kan også anvendes ved en foreløbig vurdering af eksponeringen.

BEMÆRK: Udsendelsen af vibrationer ved faktisk brug af elværktøjet kan afvige fra den angivne værdi, der hvor værktøjet anvendes. For at beskytte operatøren, bør vedkommende bære handsker og høreværn under de faktiske brugsbetingelser.

PAKKELISTE (FIG. A1)

BESKRIVELSE

KEND DIN HÆKKEKLIPPER (fig. A1)

- Hul til at hænge værktøjet i
- Beskytter til spidsen
- Klinge
- Håndbeskytter

- Forreste håndtag
- Låseknop
- Bageste håndtag
- Batteriudløserknop
- Lås
- Elektriske kontakter
- Batterimonteringsrille
- Batter-udtagelse
- Bageste kontakt
- Forreste kontakt
- Hul til at hænge værktøjet i
- Skærm til klinge

⚠ ADVARSEL: Dette produkt er blevet afsendt helt samlet. Håndskærmen må aldrig fjernes under brug. Hvis den beskadiges, skal den straks udskiftes af en autoriseret servicetekniker.

⚠ ADVARSEL: Sikker brug af dette produkt kræver en forståelse af oplysningerne om værktøjet og i denne brugsanvisning samt kendskab til det arbejde, du vil udføre. Før brug af dette produkt skal du gøre dig fortrolig med alle funktioner og sikkerhedsregler.

BETJENING

⚠ ADVARSEL: Selvom du kender dette produkt, så bliv ikke skødesløs. Husk, at skødesløshed i en brøkdal af et sekund kan forvoide betydelig personskaade.

⚠ ADVARSEL: Bær altid sikkerhedsbriller med sidebeskyttelse samt høreværn. Uden disse kan man blive ramt af genstande, der kastes ind i øjnene eller forårsager andre alvorlige skader.

⚠ ADVARSEL: For at forebygge utilsigtet start, der kunne forårsage alvorlig personskaade, skal man altid fjerne batteripakken fra produktet, når der monteres dele, foretages justeringer, rengøres, eller når den ikke bruges.

⚠ ADVARSEL: Brug ikke påmonteringer eller tilbehør, der ikke anbefales af EGO™. Brugen af påmonteringer eller tilbehør, der ikke anbefales, kan resultere i alvorlige personskaader.

Før hver brug, efterses hele produktet for beskadigede, manglende eller løse dele, såsom skruer, møtrikker, bolte, hætter osv. Stram alle møtrikker og hætter helt til, og betjen ikke dette produkt, før alle manglende eller beskadigede dele er udskiftet.

DK

ANVENDELSE

HT2410E: Du kan bruge dette produkt til at klippe hække og buske med en grendiameter på under $\varnothing 26$ mm (HT2410E)/ $\varnothing 25$ mm (HT2000E).

BEMÆRK: Værktøjet skal kun bruges til det formål, det er beregnet til. Enhver anden anvendelse anses for at være et tilfælde af fejlbrug.

INSTALLATION / FJERNELSE AF BATTERIPAKKE

Produktet må kun bruges med batteripakkerne og opladerne, der står på listen i fig. A2.

DK

Oplad før første brug.

Installation (fig. B)

Flugt batteriets ribber med monteringsrillerne, og tryk batteripakken ned, indtil du hører et "klik".

Adskillelse (fig. C)

Tryk på knappen til batteriudløseren, og træk batteriet ud.

⚠ ADVARSEL: Vær altid opmærksom på dine fødders placering og på børn eller kæledyr omkring dig, når du trykker på udløserknappen til batteriet. Der kan opstå alvorlig skade, hvis batteripakken falder. Fjern ALDRIG batteriet, når du står højt hævet.

SÅDAN HOLDES HÆKKEKLIPPEREN (fig. D, E & F)

Enheden har både et for- og baghåndtag. Med klingens rettet væk fra dig, skal du holde enheden af begge håndtag. Kontakten på det forreste håndtag kan aktiveres på en af de tre sider, hvilket giver dig mange muligheder for holde værktøjet behageligt under brug.

⚠ ADVARSEL: Hold altid begge hænder på hækkeklipperens håndtag. Man må aldrig holde i grene med den ene hånd, og betjene hækkeklipperen med den anden. Overholdes denne advarsel ikke, kan det medføre alvorlig personskade.

START / STOP AF HÆKKEKLIPPER

Før betjening fjernes skærmen til klingens, og hækkeklipperen holdes med begge hænder: den ene hånd på det bageste håndtag og den anden på det forreste håndtag. Kontrollér så, at du er i balance, står oprejst og i korrekt klippeafstand.

START

1. Sæt batteripakken i.
2. Hold kontakten på det forreste håndtag nede med den ene hånd.

3. Hold låseknappen nede med tommelfingeren med din anden hånd, og tryk derefter på baghåndtaget med fingrene for at starte hækkeklipperen. Slip låseknappen, men hold fortsat gashåndtaget nede, for at holde motorsaven i gang.

STOP

Flyt hækkeklipperen væk fra klippeområdet, og slip den bageste kontakt, for at stoppe hækkeklipperen.

⚠ ADVARSEL: Fjern altid batteripakken fra hækkeklipperen under pauser, og når arbejdet er slut.

BRUG AF HÆKKEKLIPPEREN

⚠ ADVARSEL: Hvis kniven går i stå ved klip i en elledning: RØR IKKE VED KNIVEN! DET KAN BLIVE STRØMFØRENDE OG MEGET FARLIGT. Fortsæt med at holde i hækkeklipperens isolerede bageste håndtag eller læg den ned og væk fra dig på en sikker måde. Afbryd strømmen til det/den kabel/ledning, der er beskadiget, inden du forsøger at frigøre kniven fra kabel eller ledning. Efterkommes denne advarsel ikke, kan det medføre alvorlig personskade eller evt. døden.

⚠ ADVARSEL: Undgå at klippe for meget på én gang eller gennem tæt buskads. Dette kan medføre, at knivene binder og går ned i hastighed og gør klipperen mindre effektiv.

BEMÆRK: Hækkeklipperens kan anvendes til at skære grene mindre end (26 mm) tykke.

BEMÆRK: Ved en ny hæk kan der klippes med en bred fejende bevægelse og lade grenene gå direkte ind i kniven. Ved ældre hække er en savende bevægelse velegnet til klipping af tykkere grene. Det foreslås først at bruge en håndsav eller grensav til at fjerne tykke grene med.

Klipning i toppen

Klip med en bred fejende bevægelse. En svag nedadgående hældning af knivene i bevægelsesretningen giver den bedste klipping. Hvis klippingen skal være rigtig god, kan du også bruge en snor til at klippe efter. Se fig. G.

Klipning på siderne

Når hækken skal klippes, så begynd fra nedenunder og klip opad. Se fig. H. Klip siden af hækken, så den bliver mindre foroven. På denne måde får hækken mere sol, så den kan gro mere ensartet.

VEDLIGEHOLDELSE

⚠ ADVARSEL: Ved service må der kun bruges originale reservedele. Brug af andre reservedele kan medføre fare eller forårsage skader på produktet. For at sikre sikkerhed og pålidelighed skal alle reparationer udføres af en kvalificeret servicetekniker.

⚠ ADVARSEL: For at undgå alvorlig personskade skal batteripakken altid fjernes fra produktet, når der skiftes tilbehør, under rengøring eller vedligeholdelse.

RENGØRING

- Brug en blød børste til at fjerne snavs fra alle luftindtag og kniv.
- Beg eller tjære og andre klæbrige stoffer fjernes ved at sprøjte knivene med opløsningsmiddel på grundlag af kunstharpiks. Lad motoren køre kortvarigt, så opløsningsmidlet fordeles jævnt.
- Tør eftermed en tør klud.

⚠ ADVARSEL: Brug aldrig vand til rengøring af din hækkeklipper. Undgå at bruge opløsningsmidler ved rengøring af plastdele. De fleste plastmaterialer risikerer at blive ødelagt ved brug af forskellige typer af alment tilgængelige opløsningsmidler. Brug rene klude til at fjerne snavs, støv, olie, fedt etc.

SLIBNING AF KNIVE

1. Start og stop hækkeklipperen, indtil klingens og skærmen er lidt forskudt, som vist i figur I. Dette gør det muligt, at fjerne skidt mellem skæretænderne og skærmen.
2. Fjern batteriet fra din hækkeklipper.
3. Sæt klingedelen fast i en skruestik, og slib den fritliggende skæreflade på hver af klingens tænder. Slib så let som muligt. Sørg for at beholde den oprindelige vinkel på hver tand ved arkivering.
4. Fjern hækkeklipperen fra skruen. Genstart den og stop den, så du kan se klingetændernes døde kanter.
5. Tag batteripakken ud og gentag slibeproceduren ovenfor.

BEMÆRK: Brug ikke din hækkeklipper med sløve eller beskadigede knive. Dette kan medføre overbelastning og vil give en utilfredsstillende klipning.

SMØRING AF KLINGEN (Fig. J)

Arbejdet er lettere, og kniven holder længere, hvis man smører hækkeklipperens kniv med let motorolie før og efter hver brug.

Fjern batteripakken, og læg hækkeklipperen på en flad overflade. Hæld olien langs kanten af den øverste klinge.

BEMÆRK: Ved længere arbejdsperioder smøres kniven løbende under arbejdet.

⚠ ADVARSEL: Må ikke smøres, mens hækkeklipperen kører.

TRANSPORT OG OPBEVARING

- Anbring altid klingskærmen på klingens klinge, før opbevaring eller transport af hækkeklipperen. Vær forsigtig, og undgå klingens skarpe tænder.
- Rengør hækkeklipperen grundigt før opbevaring.
- Opbevar hækkeklipperen indendørs på et tørt sted, der er utilgængeligt for børn.
- Holdes væk fra ætsende stoffer, såsom havekemikalier og vejsalt.

⚠ ADVARSEL: Knivene er skarpe. Ved håndtering af knivdelen bæres skridsikre og kraftige handsker. Placér ikke din hånd eller dine fingre mellem knivene eller andre steder, hvor de kunne blive klemt eller snittet. Rør ALDRIG knivene, og udfør heller ikke service på apparatet med batteripakken isat.

Beskyttelse af miljøet



Elektrisk udstyr, batterioplader og batterier må ikke smides ud sammen med almindelig husholdningsaffald! Tag dette produkt til en autoriseret genbrugsplads, og sørg for at det sendes til genbrug. Elektriske værktøjer skal returneres til et miljøkompatibelt genvindingsanlæg.

DK

FEJLFINDING

DK

PROBLEM	ÅRSAG	LØSNING
Hækkeklipperen virker ikke.	<ul style="list-style-type: none"> ■ Batteripakken er ikke sat på hækkeklipperen. ■ Ingen elektrisk kontakt mellem hækkeklipper og batteri. ■ Batteripakken er afladet. ■ Batteripakken er for varm. ■ Hækkeklipperen er for varm. ■ For- og bagkontakterne er ikke trykt ned samtidigt. ■ Kniven sidder fast. 	<ul style="list-style-type: none"> ■ Sæt batteripakken på hækkeklipperen. ■ Fjern batteriet, kontrollér kontakterne, og sæt batteripakken på igen. ■ Oplad batteripakken. ■ Fjern batteripakken fra værktøjet, og lad det køle indtil temperaturen falder til under 67 °C. ■ Slip begge kontakter; lad hækkeklipperen køle, indtil temperaturen falder til normal temperatur. ■ Tryk først låseknappen ned, og tryk derefter på kontakterne på for- og baghåndtaget samtidigt. ■ Fjern batteripakken fra værktøjet, fjern forsigtigt det, der sidder i klemme, og sæt så batteriet på igen, og genstart værktøjet.
Kraftig vibration eller støj.	<ul style="list-style-type: none"> ■ Tørre eller rustne knive. ■ Knive eller skinne er bøjet. ■ Bøjede eller beskadigede tænder. ■ Løse knivbolte 	<ul style="list-style-type: none"> ■ Smør knivene i overensstemmelse med afsnittet "SMØRING AF KNIV" på denne vejledning. ■ Udskift med en ny kniv eller skinne. Kontakt EGO's servicecenter og bed om hjælp til udskiftning af kniv eller skinne. ■ Udskift med en ny kniv. Kontakt EGO's servicecenter for udskiftning af kniv. ■ Spænd knivboltene. Med en skruenøgle drejes boltene med uret for at spænde.

GARANTI

EGO's GARANTIPOLITIK

Besøg venligst hjemmesiden egopowerplus.com for fuldstændige vilkår og betingelser for EGO's garantipolitik.

LÄS IGENOM ALLA INSTRUKTIONER!



LÄS IGENOM BRUKSANVISNINGEN

⚠️ WARNING: Dolda risker! Personer med elektroniska enheter såsom pacemaker skall rådfråga sin läkare innan denna produkt används. Användning av elektronisk utrustning i närheten av en pacemaker kan orsaka störningar eller fel på pacemakern.

⚠️ WARNING: För att garantera säkerheten och pålitligheten skall alla reparationer och utbyten utföras av en kvalificerad servicetekniker.

SÄKERHETSSYMBOLER

⚠️ WARNING: Användning av något elverktyg kan resultera i att främmande föremål kastas in i dina ögon vilket kan resultera i allvarliga ögonskador. Innan elverktyget börjar användas skall alltid skyddsglasögon eller skyddsglasögon med sidoskydd och full ansiktsskydd användas när så behövs. Vi rekommenderar att en ansiktsskydd med brett synfält används ovanpå glasögonen eller standard skyddsglasögon med sidoskydd.

SE



Säkerhetslarm



För att minska risken för skador måste användaren läsa bruksanvisningen.



Använd den inte vid regn och lämna den inte utomhus om det regnar.



Garanterad ljudeffektiv. Bulleremissioner för omgivningen enligt EU-direktivet.



Denna produkt är i enlighet med gällande EG-direktiv.



Förbrukade elektriska produkter får inte kastas i hushållsoporna. Lämna in dem till en auktoriserad återvinningsstation.



Ha alltid på dig skyddsglasögon eller skyddsglasögon med sidoskydd och ett ansiktsskydd under arbete med denna produkt.



Försök aldrig att använda elverktyget med endast en hand. Om du tappar kontrollen över elverktyget kan det resultera i allvarliga personskador eller dödsfall. För att minska risken för skärsår, håll händer och fötter på avstånd från skärverktyget. Vidrör aldrig ett rörligt skärverktyg med handen eller någon annan kroppsdel.



Skärbladets längd



Max. Skärkapacitet för bladet

V Spänning



Likström

.../min Per minut

mm Millimeter

cm Centimeter

n₀ Tomgångshastighet

SPECIFIKATIONER

Modell	HT2410E	HT2000E	
Spänning	56 V ---	56 V ---	
Obelastad hastighet	1500 /min	1500 /min	
Svärdlängd	61 cm	51 cm	
Skärkapacitet	26 mm	25 mm	
Vikt (utan batteripack)	3,1 kg	2,9 kg	
Rekommenderad användningstemperatur	0°C-40°C	0°C-40°C	
Rekommenderad förvaringstemperatur	-20°C-70°C	-20°C-70°C	
Uppmätt ljudeffektnivå L_{WA}	94,47 dB(A) K=1,5, dB(A)	91,24 dB(A) K=1,03 dB(A)	
Ljudtrycksnivå vid Användarposition L_{PA}	83,9 dB(A) K=3,0 dB(A)	80,62 dB(A) K=3,0 dB(A)	
Garanterad ljudeffektnivå L_{WA} (enligt 2000/14/EG)	96 dB(A)	92 dB(A)	
Vibrationer a_h	Främre handtag	1,8 m/s^2 K=1,5 m/s^2	2,195 m/s^2 K=1,5 m/s^2
	Bakre handtag	1,7 m/s^2 K=1,5 m/s^2	1,836 m/s^2 K=1,5 m/s^2

- Det angivna totalvärdet för vibration är uppmätt enligt standardprovningemetoden och kan användas för att jämföra olika verktyg;
- Det angivna totalvärdet för vibration kan även användas vid preliminär utvärdering av exponering.

OBS! Den verkliga vibrationen under arbete med det eldrivna verktyget kan avvika från det angivna värdet. Användaren bör ha på sig lämpliga handskar och hörselskydd för de aktuella arbetsförhållandena för att skydda sig

LEVERANSLISTA (BILD A1) BESKRIVNING

LÄRA KÄNNA DIN HÄCKTRIMMER (bild A1)

1. Hänghåll
2. Spetsskydd
3. Knivblad
4. Handskydd
5. Främre handtag
6. Låsknapp
7. Bakre handtag
8. Frigöringsknapp för batteriet
9. Spärr

10. Elektriska kontakter
11. Batteri-monteringsplats
12. Batteri-utmatning
13. Bakre spak
14. Främre spak
15. Hänghåll
16. Knivbladskydd

⚠ VARNING! Denna produkt har levererats fullständigt monterad. Handskyddet får aldrig tas bort under användning. Om det skadas, byt omedelbart ut det hos kvalificerad servicepersonal.

⚠ VARNING! Säker användning av produkten förutsätter att man har förstått informationen om enheten och informationen i denna bruksanvisning samt är förtrogen med arbetet som ska utföras. Lär känna alla funktioner och säkerhetsregler innan produkten tas i bruk.

ANVÄNDNING

⚠ VARNING! Var aldrig vårdslös, även om du är väl förtrogen med verktyget. Glöm inte att en bråkdel av en sekund av ouppmärksamhet är tillräcklig för att orsaka svåra personskador.

⚠ VARNING! Använd alltid skyddsglasögon med sidoskydd och hörselskydd. Annars kan det förekomma ögonskador pga utslungade föremål och andra svåra personskador.

⚠ VARNING! För att förhindra att maskinen startas oavsiktligt, vilket kan orsaka allvarliga personskador, ta alltid ut batteriet ur verktyget vid montering av delar, justeringar, rengöring eller när den inte används.

⚠ VARNING! Använd inga detaljer eller tillbehör som inte rekommenderas av EGO™. Användning av ej rekommenderade detaljer eller tillbehör kan leda till svåra personskador.

Kontrollera hela produkten för skadade, saknade eller lösa detaljer såsom skruvar, muttrar, bultar, lock osv före varje användning. Dra åt alla fästen och lock noga och använd produkten först när alla saknade eller skadade detaljer är utbytta.

TILLÄMPNING

HT2410E: Du kan använda denna produkt för att trimma häckar, buskar vars grenar har en diameter som är mindre än $\varnothing 26$ mm (HT2410E) / $\varnothing 25$ mm (HT2000E).

OBS! Verktøget får endast användas för sitt avsedda ändamål. All annan användning bedöms som felaktig användning.

INSTALLERA/TA UT BATTERIPACKET

Använd endast med de batteripaket och laddare som listas i bild A2.

Ladda före första användning.

Installation (bild B)

Rikta in listerna på batteriet med monteringsspåren och tryck sedan ner batteripacket tills du hör ett "klick".

Borttagning (bild C)

Tryck in frigöringsknappen för batteriet och dra sedan ut batteripacket.

⚠ VARNING! Var alltid medveten om placeringen av dina fötter och var eventuellt närvarande barn eller husdjur befinner sig medan du trycker på lossningsknappen för batteriet. Ett tappat batteripack kan orsaka svåra skador. Ta ALDRIG ut batteripacket på ett högt belägen plats.

HÅLLA HÄCKTRIMMERN (bild D, E och F)

Enheten har både ett främre och bakre handtag. Med knivbladet riktad bort från dig, håll enheten via båda handtagen. Spaken på det främre handtaget kan aktiveras på en av de tre sidorna, vilket ger dig många alternativ för att hitta ett bekvämt grepp under skärning.

⚠ VARNING! Håll alltid båda händerna på häcktrimmerns handtag. Håll aldrig buskar med en hand medan häcktrimmern används med den andra handen. Underlåtenhet att följa denna varning kan leda till allvarliga personskador.

STARTA/STOPPA HÄCKTRIMMERN

Före användning, ta bort skyddet och håll trimmern med båda händerna, med ena handen på det bakre handtaget och den andra handen på det främre handtaget. Var sedan noga med ett balanserat fotfäste, upprätt ståposition och ett korrekt skäravstånd.

Starta

1. Installera batteripacket.
2. Tryck in och håll ner spaken på det främre handtaget med en hand.

3. Tryck in och håll ner låsknappen med tummen på din andra hand och tryck sedan in den bakre spaken med dina fingrar för att starta trimmern. Släpp upp låsknappen och fortsätt hålla in avtryckaren för fortsatt användning.

Stoppa

Flytta häcktrimmern från skärområdet och släpp upp den bakre spaken för att stoppa häcktrimmern.

⚠ VARNING! Ta alltid bort batteripacket från häcktrimmern vid raster och efter att arbetet har avslutats.

ANVÄNDNING AV HÄCKSAXEN

⚠ VARNING! Om svärdet skär i en elkabel eller -linje, **RÖR INTE VID SVÄRDET! DET KAN VARA SPÄNNINGSFÖRÄNDRING OCH YTTREST FARLIGT.** Fortsätt att hålla häcksaxen i det isolerade bakre handtaget eller lägg ner den så att den riktas bort från dig på ett säkert sätt. Koppla ur strömmen till den skadade kabeln eller linjen innan du försöker att lossa svärdet från kabeln eller linjen. Underlåtenhet att följa denna varning medför risk för svåra personskador eller död.

⚠ VARNING! Undvik att trimma för mycket på en gång eller att köra genom kraftigt buskage. Det kan få skärbladen att hamna i kläm och sakta ner, vilket minskar effektiviteten.

NOTERA: Häcktrimmern ska användas för att kapa stammar som är högst 26 mm tjocka.

OBS! Vid nytt buskage är stora svep lämpliga för att trycka in stammarna direkt i skärbladet. Vid äldre buskage är en sågande rörelse lämplig för att trimma tjockare stammar. En handsåg eller beskärningssåg rekommenderas för att trimma stora stammar först.

Hög beskärning

Använd en bred svepande rörelse. Luta skärbladen något i nedgående riktning mot beskärningens riktning för bästa resultat. För bättre skäreffekt kan du använda strängen som vägledning för häckens nivå (bild G).

KLIPPNING AV SIDORNA

Vid trimning av häcksidor, börja längst ner och skär uppåt enligt bild H. Trimma häcksidan så att den blir något smalare i toppen. Denna form exponerar häcken för mer solljus, vilket leder till en jämnare tillväxt.

UNDERHÅLL

⚠ VARNING! Använd endast identiska reservdelar vid service. Användning av andra detaljer kan leda till risker eller skada på produkten. Alla reparationer bör utföras av en kvalificerad servicetekniker för att upprätthålla säkerhet och driftssäkerhet.

⚠ VARNING! Ta alltid ut batteripacket ur produkten före rengöring eller underhåll för att undvika svåra personskador.

RENGÖRING

- Använd en mjuk borste för att rengöra alla luftintag och svärdet från skräp.
- Spraya skärbladen med hartslösningsmedel för att avlägsna harts och andra klibbiga ämnen. Kör motorn för en stund för att sprida lösningsmedlet jämnt.
- Torka ytan med en ren trasa.

⚠ VARNING! Använd aldrig vatten för att rengöra saxen. Undvik användning av lösningsmedel vid rengöring av plastdetaljer. De flesta plastmaterialen är känsliga mot olika vanliga lösningsmedel. Använd rena trasor för att avlägsna smuts, damm, olja, smörjmedel osv.

VÄSSA SKÄRBLADET

1. Starta och stoppa din häcktrimmer tills skärbladet och skyddet är lite ur riktning, se bild I. Detta ger ett avstånd för vässning mellan skärtänderna och skyddar dem.
2. Ta bort batteripacket från häcktrimmern.
3. Kläm fast knivbladet i ett städ och vässa den exponerade skärytan på varje skärtand. Fila bort så lite material som möjligt. Var noga med att bibehålla den ursprungliga vinkeln för varje skärtand vid vässning.
4. Ta bort häcktrimmern från städet, starta upp den igen och stoppa för att exponera de ovässa kanterna av skärtänderna.
5. Ta bort batteripacket och upprepa ovanstående vässningsprocedur.

OBS! Använd inte häcksaxen med slöa eller skadade skärblad. Detta kan orsaka överbelastning och ge dåliga arbetsresultat.

SMÖRJA IN KNIVBLADET (bild J)

Smörj häcksaxens svärd med lätt maskinolja före och efter varje användning för bästa arbetsresultat och längre livslängd av svärdet.

Ta bort batteripacket och lägg trimmern på en platt yta. Applicera oljan längs med kanten på det övre knivbladet.

OBS! För långvarig användning, olja in skärbladet under beskärningen.

⚠ VARNING! Häcksaxen får inte oljas medan den är påslagen.

TRANSPORTERING OCH FÖRVARING

- Placera alltid skyddet på knivbladet före förvaring eller transport av häcktrimmern. Var försiktig med att undvika knivbladets vassa tänder.
- Rengör häcksaxen noga innan den ställs av
- Förvara häcksaxen inomhus, i ett torrt ställe och oåtkomligt för barn.
- Håll saxen borta från korrosiva ämnen såsom trädgårdskemikalier och avsnings-salter.

⚠ VARNING! Skärbladen är vassa. Ha på dig halkfria, starka skyddshandskar medan du hanterar svärdsenheten. Placera aldrig handen eller fingrarna mellan skärbladen eller i vilken som helst position där de kan komma i kläm eller få skärsår. Rör ALDRIG vid skärbladen eller utför underhåll medan batteripacket sitter på verktyget.

Miljöskydd



Kasta inte elektrisk utrustning, använt batteri och laddare i hushållssoporna! Lämna denna produkt hos en auktoriserad återvinnare och gör den tillgänglig för separat insamling. Elektriska verktyg måste returneras till en miljöanpassad återvinningsanläggning.

FELSÖKNING

PROBLEM	ORSAK	LÖSNING
HÄCKTRIMMERN FUNGERAR INTE.	<ul style="list-style-type: none"> ■ Batteripacket sitter inte på häcktrimmern. ■ Ingen elektrisk anslutning mellan saxen och batteriet. ■ Batteripacket är urladdat. ■ Batteripacket är för varmt. ■ Häcksaxen är för varmt. ■ Främre och bakre spaken trycks inte ner samtidigt. ■ Svärdet har kört fast. 	<ul style="list-style-type: none"> ■ Sätt batteripacket på häcktrimmern. ■ Ta ut batteriet, kontrollera kontaktorna och sätt i batteripacket igen. ■ Ladda batteripacket. ■ Ta ut batteripacket och låt det svalna ned tills temperaturen är under 67°C. ■ Släpp upp båda spakarna; låt trimmern svalna tills temperaturen sjunkit till normal temperatur. ■ Tryck först på låsknappen och tryck sedan samtidigt på främre och bakre handtaget. ■ Ta ut batteripacket, avlägsna tilltappningen försiktigt, sätt i batteriet igen och starta verktyget.
KRAFTIGA VIBRATIONER ELLER OLJUD.	<ul style="list-style-type: none"> ■ Torra eller korroderade skärblad. ■ Böjda skärblad eller böjt skärbladsstöd. ■ Böjda eller skadade tänder. ■ Lösa skärbladsbultar. 	<ul style="list-style-type: none"> ■ Smörj skärbladen enligt avsnittet "SMÖRJNING AV SVÄRDET" i bruksanvisningen. ■ Byt ut mot ett nytt skärblad eller stöd. Kontakta servicecentret av EGO för byte av skärblad eller stöd. ■ Byt ut skärbladet. Kontakta servicecentret av EGO för byte. ■ Dra åt bultarna. Skruva bulten medurs med en nyckel för att dra åt den

SE

GARANTI

GARANTIVILLKOREN AV EGO

Var god besök webbplatsen egopowerplus.com för att se de fullständiga garantivillkoren av EGO.

LUE KAIKKI OHJEET!



LUE KÄYTTÖOPAS

VAROITUS: Jäännösriski! Henkilöiden, joilla on sydämentahdistin tai muu vastaava elektroninen laite, tulisi keskustella lääkärin kanssa ennen tämän tuotteen käyttöä. Sähkölaitteiden käyttö sydämentahdistimen lähettyvillä saattaa häiritä tahdistimen toimintaa tai aiheuttaa vakavan toimintahäiriön.

VAROITUS: Anna asiantuntevan huoltoteknikon tehdä kaikki korjaukset ja osien vaihdot, jotta laite on varmasti turvallinen ja luotettava.

TURVALLISUUSSYMBOLIT

FI

VAROITUS: Minkä tahansa sähkötyökalun käyttö saattaa aiheuttaa vierasesineiden sinkoutumisen silmiin, mikä voi aiheuttaa vakavia silmävammoja. Käytä aina suojalaseja, joissa on sivusuojat, ja tarvittaessa koko kasvosuojaa, kun käytät sähkötyökaluja. Silmälasien päällä suosittelimme käytettäväksi suojamaskia, jossa on laaja näkökenttä, tai tavallisia suojalaseja, joissa on sivusuojat.



Turvallisuushälytys



Käyttäjän on luettava käyttöopas loukkaantumiskeinojen vähentämiseksi.



Älä käytä sateella tai jätä ulos sateeseen.



Taattu äänitehotaso. Melupäästöt ympäristöön Euroopan yhteisön direktiivin mukaiset.



Tämä tuote vastaa sovellettavia EU-direktiivejä.



Vanhoja sähkölaitteita ei saa hävittää kotitalousjätteen mukana. Vie laite valtuutettuun kierrätyslaitokseen.



Käytä aina suojalaseja tai turvalaseja sivusuojilla ja kokosuosuojasta, kun käytät tätä tuotetta



Älä koskaan yritä käyttää sähkötyökalua yhdellä kädellä. Sähkötyökalun hallinnan menetys johtaa vakavaan henkilövahinkoon tai jopa kuolemaan. Vähennät viiltovammojen vaaraa pitämällä kätesi ja jalkasi etäällä leikkuuterästä. Älä koske liukuvaan terään kädelläsi tai muulla kehon osalla.



Terän pituus



Maks. terän leikkuukapasiteetti

V Jännite



Tasavirta

.../min per minuutti



mm Millimetri

cm Senttimetri



η_0 Tyhjäkäyntinopeus

TEKNISET TIEDOT

Malli	HT2410E	HT2000E	
Jännite	56 V ---	56 V ---	
Tyhjäkäyntinopeus	1500 /min	1500 /min	
Terän pituus	61 cm	51 cm	
Maksimi leikkuukapasiteetti	26 mm	25 mm	
Paino (ilman akkua)	3,1 kg	2,9 kg	
Suosittelut käyttölämpötila	0°C-40°C	0°C-40°C	
Suosittelut säilytyslämpötila	-20°C-70°C	-20°C-70°C	
Mitattu äänen tehotaso L_{WA}	94,47 dB(A) K=1,5 dB(A)	91,24 dB(A) K=1,03 dB(A)	
Äänenpainetaso käyttäjän paikalla L_{PA}	83,9 dB(A) K=3,0 dB(A)	80,62 dB(A) K=3,0 dB(A)	
Taattu äänitehotaso L_{WA} (mitattu 2000/14/EY mukaisesti)	96 dB(A)	92 dB(A)	
Tärinä a_{hh}	Etukahva	1,8 m/s ² K=1,5 m/s ²	2,195 m/s ² K=1,5 m/s ²
	Takakahva	1,7 m/s ² K=1,5 m/s ²	1,836 m/s ² K=1,5 m/s ²

- Ilmoitettu tärinän kokonaisarvo on mitattu standardikoemenetelmän mukaan ja sitä voidaan käyttää verrattaessa työkaluja keskenään.
- Ilmoitettua tärinän kokonaisarvoa voidaan myös käyttää altistumisen ennakoarvioinnissa.

HUOMAA: Sähkötyökalun todellisen käytön aikana esiintyvä tärinä voi erota työkalun käytölle ilmoitetusta arvosta. Käyttäjän suojelemiseksi on todellisissa käyttöolosuhteissa käytettävä käsineitä ja kuulosuojaimia.

PAKKAUSLUETTELO (KUVA A1)

KUVAUS

OPETTELE TUNTEMAAN PENSASLEIKKURI (kuva A1)

1. Ripustusreikä
2. Kärjen suojus
3. Terä
4. Käsisuoja
5. Etukahva
6. Lukituksen vapautuspainike
7. Takakahva

8. Akun vapautuspainike
9. Salpa
10. Sähköliitännät
11. Akun asennuslokeri
12. Akun poisto
13. Takakytinkinvipu
14. Etukytinkinvipu
15. Ripustusreikä
16. Terän suojus

VAROITUS: Tämä tuote toimitetaan täysin koottuna. Käsisuoja ei saa koskaan poistaa käytön aikana. Jos se vaurioituu, pyydä heti pätevää huoltoasentajaa vaihtamaan se uuteen.

VAROITUS: Tuotteen turvallinen käyttö edellyttää työkalussa mainittujen ja tämän käyttäjän käsikirjan tietojen ymmärtämistä ja sen työn tuntemista, johon tuotetta käytetään. Puhdista tuotteen käyttöä kaikkiin toimintoihin ja turvamaäräyksiin.

KÄYTTÖ

VAROITUS: Älä anna perehtyneisyyden tuotteeseen saada sinua huolimattomaksi. Muista, että sekunnin murto-osa huolimattomuutta riittää aikaansaamaan vakavan henkilövahingon.

VAROITUS: Käytä aina suojalaseja sivusuojilla sekä kuulosuojaimia. Muussa tapauksessa silmiin voi lentää roskia ja muita mahdollisia vakavia vahinkoja tapahtua.

VAROITUS: Poista akku työkalusta aina, kun kokoat osia, teet muutoksia tai puhdistat laitetta tai kun et käytä sitä. Näin varmistat, ettei laite käynnisty vahingossa eikä aiheuta vakavia henkilövahinkoja.

VAROITUS: Älä käytä kiinnityskappaleita tai lisävarusteita, joita EGO™ ei ole suositellut. Suosittelemattomien kiinnityskappaleiden tai lisävarusteiden käyttö voi aiheuttaa vakavan henkilövahingon.

Tarkasta ennen jokaista käyttöä koko tuote vaurioituneiden, puuttuvien tai irrallisten osien varalta, joita ovat esim. ruuvit, mutterit, pultit ja suojukset. Kiristä tiukasti kaikki kiinnittimet ja suojukset äläkä käytä tuotetta ennen kuin kaikki puuttuvat tai vaurioituneet osat on korvattu.

KÄYTTÖTARKOITUS

HT2410E: Tätä tuotetta voi käyttää pensaiden, pensasaitojen ja pensaikojen leikkaamiseen, jos oksien läpimitta on alle ϕ 26 mm (HT2410E) / ϕ 25 mm (HT2000E).

HUOMAA: Laitetta tulee käyttää vain sille tarkoitettuun tarkoitukseen. Muunlainen käyttö lasketaan väärinkäytöksi.

AKUN ASENNUS/POISTAMINEN

Käytä vain kuvassa A2 lueteltujen akkujen ja latureiden kanssa.

Lataa ennen ensimmäistä käyttökertaa.

Asennus (kuva B)

Aseta akun urat kiinnitysaukkoihin ja paina akkua alaspäin, kunnes kuulet naksahduksen.

Poistaminen (kuva C)

Paina akun vapautuspainiketta ja vedä akku ulos.

FI **VAROITUS:** Huomioi aina jalkojesi, lasten ja lemmikkieläinten sijainti, kun painat akun vapautuspainiketta. Akkuyksikön putoamisesta voi aiheutua vakava loukkaantuminen. Älä KOSKAAN irrota akkuyksikköä korkealla.

PENSASLEIKKURIN PITÄMINEN (kuvat D, E ja F)

Laitteessa on sekä etu- että takakahva. Pidä laitetta molemmista kahvoista siten, että terä osoittaa sinusta pois päin. Etukahvan kytkinvipu voidaan aktivoida miltä tahansa kolmesta sivusta. Näin sinulla on monta hyvää tartuntavaihtoehtoa leikkuutoimintojen aikana.

VAROITUS: Pidä molemmat kädet aina pensasleikkurin kahvoissa. Älä koskaan pidä pensaista toisella kädellä ja käytä pensasleikkuria toisella. Tämän varoituksen huomiotta jättäminen saattaa aiheuttaa vakavan vamman.

PENSASLEIKKURIN KÄYNNISTÄMINEN/ SAMMUTTAMINEN

Poista suojus ennen käyttöä ja pidä leikkurista kiinni molemmilla käsillä niin, että toinen käsi tarttuu etukahvaan ja toinen takakahvaan. Tarkista sitten, että seisot tasapainoisesti suorassa asenossa ja sopivan leikkuuetäisyyden päässä.

Käynnistys

1. Aseta akku paikalleen.
2. Paina etukahvan kytkinvipua toisella kädellä ja pidä vipua painettuna.
3. Paina lukituksen vapautuspainiketta toisen käden peukalolla ja pidä sitä painettuna. Käynnistä sitten pensasleikkuri puristamalla takakahvan kytkinvipua. Vapauta lukituksen vapautuspainike ja jatka liipaisimen painamista, niin laite pysyy käynnissä.

Sammutus

Siirrä pensasleikkuri pois leikkuualueelta ja pysäytä pensasleikkuri vapauttamalla takakahvan kytkinvipu.

VAROITUS: Poista aina akku pensasleikkurista, kun pidät työstä taukoa ja kun lopetat leikkurin käytön.

PENSASLEIKKURIN KÄYTTÖ

VAROITUS: Jos terä osuu sähköjohtoon, **ÄLÄ KOSKETA TERÄÄ! TERÄ VOI SAADA SÄHKÖJÄNNITTEEN JA SIITÄ VOI TULLA ERITTÄIN VAARALLINEN.** Kanna tämän jälkeen pensasleikkuria eristetyistä takakahvasta tai laske se alas ja etäälle itsestäsi turvallisella tavalla. Kytke vaurioitunut johto irti sähkönsyötöstä ennen kuin yrität irrottaa terän johdosta. Tämän varoituksen huomiotta jättäminen voi aiheuttaa vakavan henkilövahingon tai mahdollisen kuoleman.

VAROITUS: Vältä liiallista trimmausta kerralla tai paksun pensaikon leikkaamista kerralla. Näin vältetään leikkaustehokkuutta vähentävä terien sotkeutuminen ja hidastuminen.

HUOMAA: Leikkuria voi käyttää paksuudeltaan alle (26 mm) oksien katkaisuun.

HUOMAA: Uudelle kasvustolle sopii leveä pyyhkäisy, kun varret osuvat suoraan leikkurin terään. Vanhemmalle kasvustolle toimii sahaava liike, joka leikkaa paksumpia varsia paremmin. Suurempien varsien katkaisuun suositellaan käsisahaa tai oksasaha.

LEIKKAUS YLHÄLLÄ

Käytä leveää pyyhkäisyliikettä. Leikkurin terien hienoinen liikkeen suuntaan ja alaspäin osoittava kulma on leikkaustuloksen kannalta paras. Parempaa leikkaustulosta varten voit käyttää lankaa ohjeistamaan aidan yläosan tason kuvan G osoittamalla tavalla.

SIVULEIKKAUS

Kun leikkaat pensaasi sivuja, aloita alhaalta ja leikkaa ylöspäin kuvan H osoittamalla tavalla. Leikkaa pensaasi sivuja siten, että pensaasi kapenevat latvaan päin. Tämä muoto paljastaa enemmän pensaasi auringonvalolle, mikä johtaa tasaisempaan kasvuun.

HUOLTO

VAROITUS: Käytä huollon yhteydessä vain valmistajan hyväksymiä varaosia. Muiden osien käyttö voi aiheuttaa vaaran tai vahingoittaa tuotetta. Valtuutetun huoltoteknikon tulee suorittaa kaikki korjaukset, jotta voidaan taata tuotteen turvallinen ja luotettava käyttö.

VAROITUS: Irrota vakavien henkilövahinkojen välttämiseksi akkuyksikkö aina tuotteesta, kun puhdistat sitä tai suoritat siihen jonkin huoltotoimenpiteen.

PUHDISTUS

- Poista pehmeällä harjalla liika kaikista ilmanottoaukoista ja leikkuuterästä.
- Poista pihka ja muut tahmeat jätteet suihkuttamalla teriin pihkaa liuottavaa ainetta. Käynnistä moottori hetkeksi siten, että liuotin jakautuu tasaisesti.
- Pyyhi pinta kuivalla liinalla.

VAROITUS: Älä käytä koskaan vettä leikkurin puhdistamiseen. Vältä liuottimien käyttöä, kun puhdistat muoviosia. Useimmat muoviosat ovat herkkiä erilaisten kaupallisten liuottimien vaikutukselle. Käytä puhtaita liinoja esim. lian, pölyn, öljyn ja rasvan poistamiseen.

LEIKKUUTERÄN TEROITUS

1. Käynnistä ja pysäytä pensasleikkuri siten, että leikkuuterä ja suojuos ovat hieman limittäin, kuten kuvassa I. Tämä jättää välin viialle terän hampaiden ja suojuoksen hampaiden väliin.
2. Irrota akku pensasleikkurista.
3. Kiinnitä teräkokooppa ruuvipenkkiin ja viilaa paljaana oleva leikkuupinta jokaisesta terän hampaasta. Poista mahdollisimman vähän materiaalia terästä. Säilytä viilatessa jokaisen hampaan alkuperäinen kulma.
4. Irrota pensasleikkuri ruuvipenkistä; käynnistä se uudelleen ja pysäytä paljastaaksesi teroittamattomat hampaiden reunat.
5. Irrota akku ja toista edellä esitetty teroitusmenettely.

HUOMAA: Älä käytä pensasleikkuria, jos leikkuuterät ovat tylsiä tai ne ovat vaurioituneet. Tästä voi seurata ylikuormittuminen, jolloin leikkaustulos ei ole tyydyttävä.

TERÄN VOITELU (kuva J)

Voitele pensasleikkurin terä ohuella koneöljyllä ennen käyttöä ja sen jälkeen, jotta se toimii parhaalla mahdollisella tavalla ja kestää pidempään.

Poista akku ja laita leikkuri tasaiselle alustalle. Levitä öljyä pitkin yläterän reunaa.

HUOMAA: Jos käytät leikkuria pitkään, öljyä terä leikkaamisen aikana.

VAROITUS: Älä öljyä terää, kun pensasleikkuri on käynnissä.

KULJETUS JA VARASTOINTI

- Laita aina suojuos terän päälle ennen kuin varastoit pensasleikkurin tai kuljetat sitä. Varo terän teräviä hampaita.
- Puhdista pensasleikkuri perusteellisesti ennen varastointia.
- Säilytä pensasleikkuria sisätiloissa kuivassa paikassa, johon lapset eivät pääse.
- Pidä syövyttävien aineiden, kuten puutarhakemikaalien ja tiesuolan, ulottumattomissa.

VAROITUS: Terät ovat teräviä. Kun käsittelet teräjärjestelmää, käytä liukumisen estäviä, kestäviä suojakäsineitä. Älä laita kättä tai sormia terien väliin tai muuhun paikkaan, jossa ne voivat jäädä puristuksiin tai leikkautua. Älä KOSKAAN kosketa teriä tai huolla laitetta, kun akkuyksikkö on asennettuna.

Ympäristönsuojelu



Älä hävitä sähkölaitteita, akkualturiä tai akkuja/ladattavia paristoja kotitalousjätteen seassa! Vie tämä tuote hyväksytyyn kierrätyspaikkaan tai anna se erilliseen keräilyyn. Sähkötyökalut tulee palauttaa asianmukaiseen ympäristöystävälliseen kierrätyslaitokseen.

VIANETSINTÄ

ONGELMA	SYY	RATKAISU
PENSASLEIKKURI EI TOIMI.	<ul style="list-style-type: none"> ■ Akkuyksikköä ei ole asetettu pensasleikkuriin. ■ Ei sähkökontaktia leikkurin ja akun välillä ■ Akkuyksikkö on tyhjä. ■ Akkuyksikkö on liian kuuma. ■ Pensasleikkuri on liian kuuma. ■ Etu- ja takakytkinvipua ei paineta samanaikaisesti. ■ Terä on juuttunut kiinni. 	<ul style="list-style-type: none"> ■ Aseta akkuyksikkö pensasleikkuriin. ■ Irrota akku, tarkasta koskettimet ja asenna akkuyksikkö takaisin. ■ Lataa akkuyksikkö. ■ Irrota akkuyksikkö työkalusta ja anna sen jäähtyä, kunnes lämpötila putoaa alle 67 °C:een. ■ Vapauta molemmat kytkinvivut; anna leikkurin jäähtyä, kunnes sen lämpötila on normaali. ■ Paina ensin lukituksen vapautusvipua ja sitten etu- ja takakahvan kytkinvipuja samanaikaisesti. ■ Irrota akkuyksikkö työkalusta, poista tukkeuma varovasti, laita sen jälkeen akku takaisin paikalleen ja käynnistä työkalu uudelleen.
LIHALLINEN TÄRINÄ TAI MELU.	<ul style="list-style-type: none"> ■ Kuivat tai syöpyneet terät. ■ Terät tai terien tuki on taipunut. ■ Taipunut tai vaurioitunut hammas. ■ Löystyneet terän pultit. 	<ul style="list-style-type: none"> ■ Voitele terät tämän käsikirjan osan "TERÄN VOITELU" mukaan. ■ Vaihda uusi terä tai tuki. Ota yhteyttä EGO-huoltopisteeseen terän tai tuen vaihtamiseksi. ■ Vaihda uusi terä. Ota yhteyttä EGO-huoltopisteeseen terän vaihtamiseksi. ■ Kiristä terän pultit. Kiristä kääntämällä pulttia myötäpäivään kiintoavaimella.

TAKUU

EGO-TAKUUKÄYTTÄNTÖ

Katso verkkosivuilta osoitteesta egopowerplus.com EGO-takuukäytännön ehdot ja edellytykset kokonaisuudessaan.

LES ALLE INSTRUKSJONER!



LES BRUKERHÅNDBOKEN

⚠ ADVARSEL: Restrisiko! Personer med elektroniske enheter, for eksempel pacemakere, må rådføre seg med lege før de bruker dette produktet. Drift av elektrisk utstyr i umiddelbar nærhet av en pacemaker kan føre til at pacemakeren forstyrres eller svikter.

⚠ ADVARSEL: For å ivareta sikkerheten og påliteligheten må alle reparasjoner og utskiftinger utføres av en kvalifisert servicetekniker.

SIKKERHETSSYMBOLER

⚠ ADVARSEL: Bruk av hvilke som helst elektroverktøy kan føre til at fremmedlegemer blir kastet mot øynene, noe som kan gi alvorlige øyeskader. Før du begynner å bruke elektroverktøyet, skal du alltid ta på vernebriller eller vernebriller med sidebeskyttelse, og en full ansiktsskjerm der det trengs. Vi anbefaler en Wide Vision Safety Mask til bruk over briller, eller standard vernebriller med sidebeskyttelse.

NO



Sikkerhetsadvarsel



For å redusere risikoen for skader må brukeren lese bruksanvisningen.



Må ikke brukes i regnvær eller etterlates utendørs når det regner.



Garantert lydeffektiv. Støy i omgivelsene er i henhold til EUs direktiv.



Dette produktet er i samsvar med gjeldende EF-direktiver.



Elektrisk avfall skal ikke kastes sammen med husholdningsavfall. Innlever ved en godkjent gjenvinningsstasjon.



Bruk alltid vernebriller eller vernebriller med sidebeskyttelse, og full ansiktsskjerm når du bruker dette produktet.



Du må aldri betjene elektroverktøyet bare med én hånd. Hvis du ikke har kontroll på verktøyet, kan det føre til alvorlige skader eller dødsulykke. For å redusere risikoen for skader må du holde hender og føtter unna skjæreverktøyet. Mens verktøyet er i bevegelse, må du unngå å ta på det eller komme borti det med andre deler av kroppen.



Lengden på skjærebladet



Bladets maksimale skjærekapasitet

V Spenning



Likestrøm

.../min Per minutt



mm Millimeter

cm Centimeter



n_0 Hastighet uten last

SPESIFIKASJONER

Modell	HT2410E	HT2000E
Spenning	56 V ---	56 V ---
Hastighet uten last	1500 /min	1500 /min
Bladlengde	61 cm	51 cm
Kuttekapasitet	26 mm	25 mm
Vekt (uten batteripakke)	3,1 kg	2,9 kg
Anbefalt driftstemperatur	0°C-40°C	0°C-40°C
Anbefalt oppbevaringstemperatur	-20°C-70°C	-20°C-70°C
Målt lydeffektnivå L_{WA}	94,47 dB(A) K=1,5 dB(A)	91,24 dB(A) K=1,03 dB(A)
Lydtrykknivå ved brukerens øre L_{PA}	83,9 dB(A) K=3,0 dB(A)	80,62 dB(A) K=3,0 dB(A)
Garantert lydeffektnivå L_{WA} (i henhold til 2000/14/EF)	96 dB(A)	92 dB(A)
Vibrasjon a_n	Fronthåndtak	1,8 m/s ² K=1,5 m/s ²
	Bakre håndtak	1,7 m/s ² K=1,5 m/s ²

- Den deklarererte totale vibrasjonsverdien er målt i overensstemmelse med en standard testmetode, og kan brukes til å sammenligne ett verktøy med et annet;
- Den deklarererte totale vibrasjonsverdien kan også brukes i en foreløpig vurdering av eksponering.

MERK: Vibrasjoner under faktisk bruk av elektroverktøyet kan variere fra den opplyste verdien der verktøyet brukes; For å beskytte brukeren, skal det brukes hansker og hørselsvern under de faktiske bruksforholdene.

PAKKELISTE (FIG. A1)

BESKRIVELSE

KJENN HEKKSAXEN DIN (fig. A1)

- Opphengshull
- Tuppbeskytter
- Skjæreblad
- Bladvern
- Fremre håndtak
- Låseknapp
- Bakre håndtak

- Utløserknapp for batteri
- Låsemekanisme
- Elektriske kontakter
- Spør til batterimontering
- Batteriutkast
- Bakre spak
- Fremre spak
- Opphengshull
- Bladvern

⚠ ADVARSEL: Dette produktet leveres ferdig montert. Bladvernet må aldri fjernes under bruk. Hvis det blir skadet, må du umiddelbart få det byttet av en kvalifisert reparatør.

⚠ ADVARSEL: Sikker bruk av dette produktet krever at man forstår informasjonen på verktøyet og i bruksanvisningen, samt at man har kjennskap til prosjektet du prøver deg på. Før bruk av dette produktet, må man gjøre seg kjent med alle driftsfunksjonene og sikkerhetsreglene.

DRIFT

⚠ ADVARSEL: Ikke la fortrolighet med dette produktet gjøre deg uforsiktig. Husk at et uforsiktig tiendedel av et sekund er nok til å forårsake alvorlige skader.

⚠ ADVARSEL: Bruk alltid vernebriller med sidebeskyttelse, og hørselsvern. Unnlattelse av å gjøre dette kan resultere i at gjenstander som blir kastet kommer inn i øynene, og andre mulige og alvorlige skader.

⚠ ADVARSEL: For å hindre utilsiktet start som kan føre til alvorlig personskade, skal batteripakken alltid tas ut av verktøyet når du monterer deler, gjør justeringer, rengjør, eller når verktøyet ikke er i bruk.

⚠ ADVARSEL: Ikke bruk eventuelle tilsatser eller tilbehør som ikke er anbefalt av EGO™. Bruk av tilbehør eller deler som ikke er anbefalt kan føre til alvorlige personskader.

Før hver bruk skal hele produktet for inspiseres for skader, mangler eller løse deler, for eksempel skruer, muttere, bolter, heter, osv. Trekk til alle festene og hettene godt, og ikke bruk dette produktet før alle manglende eller skadede deler har blitt byttet.

NO

APPLIKASJON

HT2410E: Du kan bruke dette produktet til å trimme hekker og busker med en grendiameter på mindre enn $\varnothing 26\text{mm}$ (HT2410E) / $\varnothing 25\text{mm}$ (HT2000E).

MERK: Verktøyet skal bare brukes til det foreskrevne formålet sitt. All annen bruk anses å være misbruk.

INSTALLERING/FJERNING AV BATTERIPAKKEN

Bruk bare med batteripakker og ladere oppført i fig. A2.

Lad opp før første gangs bruk.

Installering (fig. B)

Juster batteririllene sammen med monteringssporene, og trykk batteripakken ned til du hører et "klikk".

Fjerning (Fig. C)

Trykk ned batteriutløserknappen, og trekk batteripakken ut.

⚠ ADVARSEL: Legg alltid merke til hvor føttene dine er, og hvor barn eller kjæledyr er når du trykker på batteriutløserknappen. Alvorlig personskade kan oppstå hvis batteripakken faller ned. **ALDRI** ta ut batteriet på et høyt sted.

HOLDE HEKKSAKSEN (Fig. D, E og F)

Enheten har både et fremre og et bakre håndtak. Hold enheten med begge hender og med skjærebladet vendt bort fra deg. Spaken i fremre håndtak kan aktiveres på alle tre sider, og du får dermed mange muligheter til å ha et komfortabelt grep når du beskærer hekken.

⚠ ADVARSEL: Hold alltid begge hender på håndtakene til hekksaksen. Unngå å holde i busker med én hånd samtidig som du betjener hekksaksen med den andre. Hvis du ikke etterlever denne advarselen, kan det føre til alvorlig personskade.

STARTE/STOPPE HEKKSAKSEN

Før du skal bruke verktøyet, tar du av skjoldet og holder saksen med begge hender – én hånd på det bakre håndtaket og den andre på det fremre håndtaket. Kontroller så at du har et balansert foffeste, står oppreist og har riktig klippeavstand.

For å starte

1. Installer batteripakken.
2. Trykk på spaken i fremre håndtak og hold den nede med den ene hånden.
3. Trykk og hold nede låseknappen med andre hånds tommel, og klem på den bakre spaken med fingrene for å starte hekksaksen. Slipp låseknappen og fortsett å klemme på utløseren for at hekksaksen skal holdes i gang.

For å stoppe

Beveg hekksaksen bort fra klippeområdet og utløs bakre spak når du vil stoppe den.

⚠ ADVARSEL: Batteripakken må alltid fjernes fra hekksaksen under pauser og etter endt arbeid.

BRUKE HEKKSAKSEN

⚠ ADVARSEL: Hvis bladet kjører seg fast på en elektrisk ledning eller linje, **MÅ DU IKKE BERØRE BLADET! DEN KAN BLI STRØMFØRENDE OG MEGET FARLIG.** Fortsett å holde hekksaksen i det isolerte bakre håndtaket, eller legg den ned og beveg deg unna på en sikker måte. Koble fra elektrisiteten til den skadede kabelen, eller ledningen før du forsøker å frigjøre bladet fra kabelen eller ledningen. Unnlattelse av å ta hensyn til denne advarselen kan resultere i alvorlig personskade eller mulig død.

⚠ ADVARSEL: Unngå å trimme for mye på en gang, eller gjennom tunge buskas. Dette kan føre til at bladene bindes opp og blir langsomme, noe som reduserer kutteeffektiviteten.

MERK: Hekksaksen skal brukes til å kutte grener som er mindre enn 26 mm i diameter.

MERK: For ny vekst er en bred, sveipende bevegelse for å mate stilkene direkte inn i kutterbladet. For eldre vekst er en sagende bevegelse bra for trimming av tykkere stilker. Ikke-drevne håndsager eller beskjæringssager anbefales for å trimme store stammer først.

Toppklipping

Bruk et bred, sveipende bevegelse. En svak nedadgående vinkel på bladene i bevegelsesretningen gir best kutteresultat. For bedre kutteeffekt, kan du like godt bruke strengen til å guide hekknivået som vist i fig. G.

NO

Sidekutting

Når du beskjærer sidene på hekken, skal du begynne nederst og beskjære oppover som vist i Fig. H. Beskjær siden av hekken så den blir litt smalere mot toppen. Denne fasongen gjør at hekken får mer sol på seg, og gir jevnere vekst.

VEDLIKEHOLD

⚠ ADVARSEL: Ved service skal det bare brukes originale reservedeler. Bruk av andre deler kan forårsake farer eller skader på produktet. For sikre både sikkerheten og påliteligheten, skal alle reparasjoner utføres av en kvalifisert servicetekniker.

⚠ ADVARSEL: For å unngå alvorlige personskader, skal batteripakken alltid tas ut fra produktet når du rengjør eller utfører vedlikehold.

RENGJØRING

- Bruk en myk børste til å fjerne smuss fra alle luftinntak og fra kutterbladet.
- For å fjerne bek og andre klissete rester, sprayes bladene med harpiks-løsemiddel. Kjør motoren en kort stund, slik at løsningsmidlet blir jevnt fordelt.
- Tørk overflaten med en tørr klut.

⚠ ADVARSEL: Bruk aldri vann til rengjøring av trimmeren din. Unngå å bruke løsemidler når plastdeler skal rengjøres. De fleste plasttyper er utsatt for skader fra ulike typer kommersielle løsemidler. Bruk rene kluter for å fjerne skitt, støv, olje, fett, osv.

SLIPING AV KUTTEBLADET

1. Start og stopp hekksaksen når skjæreblad og bladvern er litt forskjøvet i forhold til hverandre, som vist i Fig. I. Dette gir plass til filen mellom skjæretenner og bladverntenner.
2. Ta batteripakken ut av hekksaksen.
3. Sett skjærebladet i en skrustikke og fil den eksponerte snittflaten til hver skjæretann. Fjern så lite materiale som mulig. Pass på at du beholder den opprinnelige vinkelen på hver tann når du filer dem.
4. Ta hekksaksen ut av skrustikken. Start og stopp den så du eksponerer de uskjærpede kantene på bladtennene.
5. Ta ut batteripakken og gjenta skjærpeprosessen over.

MERK: Ikke bruk hekksaksen med sløve eller skadede kutterblader. Dette kan føre til overbelastning og vil ikke gi tilfredsstillende kutteresultat.

SMØRING AV BLADET (Fig. J)

For beste drift og lengre bladlevetid, smøres hekksaksens blad med lett maskinolje før og etter hver bruk.

Ta ut batteriet og legg hekksaksen på et flatt underlag. Påfør oljen langs kanten av det øverste bladet.

MERK: Ved lengre bruksperioder, skal bladet oljes under kutting.

⚠ ADVARSEL: Ikke smør hekksaksen mens den er i gang.

TRANSPORT OG LAGRING

- Plasser alltid skjoldet på skjærebladet før du lagrer eller transporterer hekksaksen. Vær nøye med å unngå de skarpe tennene på bladet.
- Rengjør hekksaksen grundig før lagring.
- Oppbevar hekksaksen innendørs, på et tørt sted som er utilgjengelig for barn.
- Holdes vekk fra etsende midler, for eksempel hagekjemikalier og avisingssalter.

⚠ ADVARSEL: Bladene er skarpe. Når du håndterer bladenheten, skal det brukes sklisikre, tunge vernehansker. Ikke plasser hånden eller fingrene mellom bladene eller i noen posisjon der de kan bli klemt eller kuttet. ALDRI ta på bladene eller utfør vedlikehold på enheten med batteripakken installert.

Beskytt miljøet



Elektrisk utstyr, brukte batterier og batteriladere må ikke kastes i husholdningsavfallet! Ta dette produktet til en autorisert resirkuleringsapparat og gjør det tilgjengelig for separat innsamling. Elektriske verktøy må returneres til et egnet resirkuleringsanlegg.

NO

FEILSØKING

PROBLEM	ÅRSAK	LØSNING
HEKKSAXEN VIRKER IKKE.	<ul style="list-style-type: none"> ■ Batteripakken er ikke festet til hekksaksen. ■ Ingen elektrisk kontakt mellom trimmeren og batteriet ■ Batteripakken er tom. ■ Batteripakken er for varm. ■ Hekksaksen er for varm. ■ Fremre og bakre spaker blir ikke trykket ned samtidig. ■ Bladet har kjørt seg fast. 	<ul style="list-style-type: none"> ■ Fest batteripakken til hekksaksen. ■ Fjern batteriet, sjekk kontakter og installer batteripakken. ■ Lad opp batteripakken. ■ Fjern batteripakken fra verktøyet og la den avkjøles inntil temperaturen synker under 67 °C. ■ Slipp begge spakene; la hekksaksen kjøle seg ned til temperaturen er normal. ■ Trykk først ned låseknappen og deretter spakene i fremre og bakre håndtak samtidig. ■ Fjern batteripakken fra verktøyet, fjern gjenstandene nøye, og sett inn batteriet igjen, og start verktøyet igjen.
FOR MYE VIBRASJON ELLER STØY.	<ul style="list-style-type: none"> ■ Tørre eller korroderte blader. ■ Bladene eller bladstøttene er bøyd. ■ Bøyde eller ødelagte tenner. ■ Løse bladbolter. 	<ul style="list-style-type: none"> ■ Smør knivene som beskrevet i avsnittet «SMØRING AV BLADET» i denne bruksanvisningen. ■ Bytt ut med et nytt blad eller ny støtte. Kontakt EGO-servicesenteret for hjelp med blad eller bytte. ■ Bytt ut med et nytt blad. Kontakt EGO-servicesenteret for å få byttet bladet service. ■ Stram bladboltene. Bruk en skiftenøkkel, og skru boltene med klokken for å stramme den.

NO

GARANTI

EGOs GARANTIREGLER

Besøk nettsiden egopowerplus.com for å se fullstendige vilkår og betingelser for EGO-garantireglene.

ПРОЧИТАЙТЕ ВСЕ ИНСТРУКЦИИ!



ПРОЧИТАЙТЕ РУКОВОДСТВО ПОЛЬЗОВАТЕЛЯ

⚠ ПРЕДУПРЕЖДЕНИЕ. Остаточный риск! Если вы используете такие электронные устройства, как кардиостимулятор, перед эксплуатацией данного устройства проконсультируйтесь с врачом. Использование электрооборудования в непосредственной близости от кардиостимулятора может привести к образованию помех и повреждению кардиостимулятора.

⚠ ПРЕДУПРЕЖДЕНИЕ. Для обеспечения безопасной и надежной работы устройства его ремонт и замену частей должен выполнять квалифицированный специалист.

СИМВОЛЫ БЕЗОПАСНОСТИ

⚠ ПРЕДУПРЕЖДЕНИЕ. В результате работы электроинструмента в глаза могут попасть посторонние предметы, что приведет к серьезному повреждению глаз. Перед началом использования электроинструмента всегда надевайте защитную маску или защитные очки с боковыми щитками и полнопрофильную защитную маску (при необходимости). Поверх очков или стандартных защитных очков рекомендуется надевать безопасную маску с широким обзором.

RU



Предупреждение об опасности



Прочитайте руководство по эксплуатации, чтобы уменьшить риск получения травм.



Во время дождя не используйте устройство и не оставляйте его вне помещения.



Гарантированный уровень звуковой мощности Уровень шума в окружающей среде в соответствии с директивой ЕС.



Соответствует основным требованиям стандартов безопасности Европейских директив.



Неисправные электрические устройства нельзя выбрасывать вместе с бытовым мусором. Сдавайте их в авторизованные пункты сбора и утилизации.



При использовании инструмента всегда надевайте защитные очки, защитные очки с боковыми щитками или лицевые щитки.



Во время работы держите электроинструмент обеими руками. Потеря контроля над электроинструментом может привести к получению тяжелых или смертельных травм. Чтобы снизить риск получения травм от порезов, держите руки и ноги подальше от режущего инструмента. Никогда не прикасайтесь к движущемуся режущему инструменту руками и любыми другими частями тела.



Длина режущего элемента



Макс. Производительность режущего элемента

V Напряжение

— — — Постоянный ток

.../min В минуту

mm Миллиметр

cm Сантиметр

n_0 Скорость работы без нагрузки

ТЕХНИЧЕСКИЕ ХАРАКТЕРИСТИКИ

Модель	HT2410E	HT2000E	
Напряжение	56 В ---	56 В ---	
Скорость работы без нагрузки	1500 об/мин	1500 об/мин	
Длина ножа	61 см	51 см	
Производительность резания	26 мм	25 мм	
Масса (без батарейного блока)	3,1 кг	2,9 кг	
Рекомендуемая рабочая температура	0...40 °C	0...40 °C	
Рекомендуемая температура хранения	-20...70 °C	-20...70 °C	
Измеренный уровень звуковой мощности L_{WA}	94,47 дБ (A) K=1,5 дБ (A)	91,24 дБ (A) K=1,03 дБ (A)	
Уровень звукового давления в рабочем состоянии L_{PA}	83,9 дБ (A) K=3,0 дБ (A)	80,62 дБ (A) K=3,0 дБ (A)	
Гарантированный уровень звуковой мощности L_{WA} (в соответствии с 2000/14/ЕС)	96 дБ (A)	92 дБ (A)	
Вибрация a_h	Передняя рукоятка	1,8 м/с ² K=1,5 м/с ²	2,195 м/с ² K=1,5 м/с ²
	Задняя рукоятка	1,7 м/с ² K=1,5 м/с ²	1,836 м/с ² K=1,5 м/с ²

- Указанный общий показатель уровня вибрации был определен с помощью стандартного теста и может быть использован для сравнения разных инструментов.
- Указанный общий уровень вибрации может использоваться также для предварительной оценки уровня воздействия.

ПРИМЕЧАНИЕ. Реальное вибрационное воздействие электроинструмента может отличаться от указанного в зависимости от способа использования. В целях безопасности оператор должен надевать перчатки и средства защиты органов слуха во время использования устройства.

УПАКОВОЧНЫЙ ЛИСТ (РИС. А1)

ОПИСАНИЕ

ЧАСТИ КУСТОРЕЗА (Рис. А1)

1. Отверстие для подвешивания
2. Защита наконечника
3. Режущий элемент
4. Щиток для защиты руки
5. Передняя рукоятка
6. Кнопка блокировки
7. Задняя рукоятка
8. Кнопка фиксации аккумулятора
9. Фиксатор
10. Электрические контакты
11. Отсек для батарей
12. Извлечение батареи
13. Задний курок
14. Передний курок
15. Отверстие для подвешивания
16. Чехол режущего элемента

⚠ ПРЕДУПРЕЖДЕНИЕ. Данный инструмент поставляется в полностью собранном состоянии. Никогда не демонтируйте щиток для защиты руки во время использования. Если щиток поврежден, немедленно обратитесь к квалифицированному специалисту для замены.

⚠ ПРЕДУПРЕЖДЕНИЕ. Для безопасного использования устройства необходимо изучить и понять информацию, указанную на самом устройстве и в настоящем руководстве пользователя, а также иметь ясное представление о планируемой работе. Перед использованием устройства ознакомьтесь со всеми функциями и правилами безопасности.

ИСПОЛЬЗОВАНИЕ

⚠ ПРЕДУПРЕЖДЕНИЕ. Не допускайте небрежности и беспечности при работе с устройством. Помните, что потери бдительности на долю секунды достаточно для получения серьезной травмы.

⚠ ПРЕДУПРЕЖДЕНИЕ. Всегда надевайте защитные очки с боковыми щитками, а также используйте защиту органов слуха. В противном случае выбрасываемые предметы попадут в глаза, что может привести к получению серьезной травмы.

⚠ ПРЕДУПРЕЖДЕНИЕ. Чтобы предотвратить случайное включение устройства и получение серьезной травмы, извлекайте аккумулятор перед выполнением сборки, регулировки и очистки, а также когда устройство не используется.

RU

⚠ ПРЕДУПРЕЖДЕНИЕ. Не используйте насадки или дополнительные приспособления, не рекомендованные EGO™. Использование нерекондованных дополнительных приспособлений может привести к серьезным травмам.

Перед каждым использованием полностью проверяйте устройство на наличие поврежденных, отсутствующих или ослабленных частей, таких как винты, гайки, болты, заглушки и т. д. Надежно закрепите все фиксаторы и заглушки и не пользуйтесь устройством до тех пор, пока не будут заменены поврежденные или отсутствующие части.

ПРИМЕНЕНИЕ

HT2410E. Данное устройство можно использовать для обрезки живых изгородей, кустов и кустарниковых растений с диаметром веток не более 26 мм (HT2410E) / 25 мм (HT2000E).

RU

ПРИМЕЧАНИЕ. Инструмент должен использоваться только по назначению. Любое другое использование, кроме упомянутого, считается неправильным.

УСТАНОВКА И ДЕМОНТАЖ АККУМУЛЯТОРА

Используйте только аккумуляторы и зарядные устройства, указанные на Рис. A2.

Зарядите перед первым использованием.

Установка (Рис. B)

Совместите ребра аккумулятора с крепежными отверстиями и вставьте аккумулятор до щелчка.

Демонтаж (Рис. C)

Нажмите кнопку фиксации аккумулятора и извлеките аккумулятор.

⚠ ПРЕДУПРЕЖДЕНИЕ. Всегда следите за положением своих ног, а за также за местонахождением детей и животных, когда нажимаете на кнопку фиксации аккумулятора. Падение аккумулятора может привести к серьезным травмам. НИКОГДА не извлекайте аккумулятор, если находитесь на возвышенности.

ОБРАЩЕНИЕ С КУСТОРЕЗОМ (Рис. D, E и F)

Устройство оснащено передней и задней рукоятками. Удерживайте кусторез за обе рукоятки, повернув режущий элемент от себя. Курок на передней рукоятке можно активировать на любой из трех сторон, что предоставляет различные варианты удобного захвата

инструмента при работе.

⚠ ПРЕДУПРЕЖДЕНИЕ. Всегда держите кусторез обеими руками за рукоятки. Никогда не управляйте кусторезом одной рукой, придерживая кустарник другой рукой. Несоблюдение данного требования может привести к получению серьезных травм.

ВКЛЮЧЕНИЕ И ВЫКЛЮЧЕНИЕ КУСТОРЕЗА

Перед использованием устройства снимите чехол с режущего элемента и возьмите кусторез обеими руками за заднюю и переднюю рукоятки. Затем примите устойчивое вертикальное положение, соблюдая надлежащее расстояние для работы.

Включение

1. Установите аккумулятор.
2. Одной рукой нажмите и удерживайте курок на передней рукоятке.
3. Нажмите и удерживайте кнопку блокировки большим пальцем другой руки, затем зажмите пальцами задний курок, чтобы включить инструмент. Для продолжительной работы отпустите кнопку блокировки и продолжайте зажимать курок.

Выключение

Чтобы остановить инструмент, отведите его в сторону от места резки и отпустите задний курок.

⚠ ПРЕДУПРЕЖДЕНИЕ. Во время перерывов в работе и после ее окончания всегда извлекайте аккумулятор из устройства.

ИСПОЛЬЗОВАНИЕ КУСТОРЕЗА

⚠ ПРЕДУПРЕЖДЕНИЕ. Если в нож попал электропровод, НЕ КАСАЙТЕСЬ НОЖА! ОН МОЖЕТ БЫТЬ ПОД НАПРЯЖЕНИЕМ И ОЧЕНЬ ОПАСЕН. Продолжайте удерживать кусторез за изолированную заднюю рукоятку или отложите в сторону безопасным способом. Прежде чем удалить застрявший в ноже провод, отключите поврежденный провод от электросети. В противном случае это может привести к серьезным травмам или летальному исходу.

⚠ ПРЕДУПРЕЖДЕНИЕ. Не срезайте сразу большие объемы и не пытайтесь прорезать плотный кустарник. В противном случае ножи запутаются, а производительность резки снизится.

ПРИМЕЧАНИЕ. Устройство может использоваться для резки стеблей толщиной не более 26 мм.

ПРИМЕЧАНИЕ. При подровнивании подроста выполняйте широкие махи (подобно подметанию), чтобы подача стволов выполнялась непосредственно в ножи. У более старых зарослей стволы толще и их легче всего обрезать движением распиливания. Для обрезки крупных стволов используйте неприводную ручную пилу или пилу для обрезки ветвей.

Обрезка верхушек

Используйте широкие махи (подобно подметанию). Для достижения наилучших результатов слегка наклоните нож в направлении движения. Также для достижения наилучших результатов можно использовать веревку для обозначения уровня обрезки куста, как показано на Рис. G.

Боковая обрезка

При обрезании боковых веток работайте снизу вверх, как показано на Рис. H. Подровняйте боковую сторону живой изгороди так, чтобы она немного сужалась вверх. Такая форма обеспечивает более эффективное проникновение солнечного света, что приведет к равномерному росту кустарника.

ОБСЛУЖИВАНИЕ

⚠ ПРЕДУПРЕЖДЕНИЕ. При ремонте используйте только идентичные запасные части. Использование других запасных частей может привести к травмам или повреждению устройства. Чтобы обеспечить безопасность и надежность устройства, его ремонт должен выполнять квалифицированный специалист.

⚠ ПРЕДУПРЕЖДЕНИЕ. Во избежание травм всегда извлекайте аккумулятор из устройства перед чистой или обслуживанием.

ОЧИСТКА

- Используйте мягкую щетку, чтобы удалить загрязнения из воздухозаборных отверстий и с ножа.
- Для удаления смолы и других липких загрязнений распылите на нож растворитель для смол. Запустите двигатель на короткое время, чтобы растворитель равномерно распределился по ножу.
- Протрите поверхность сухой тканью.

⚠ ПРЕДУПРЕЖДЕНИЕ. Никогда не используйте воду для очистки кустореза. Не используйте растворители для очистки пластиковых элементов. Большинство пластиковых частей чувствительны к различным бытовым растворителям. Для очистки от

грязи, пыли, масла, смазки и т. п. используйте чистую ткань.

ЗАТОЧКА НОЖА

1. Запустите кусторез, а затем остановите его, когда режущий и защитный зубцы слегка сместятся, как показано на Рис. I. Это позволит вставить напильник между режущим и защитным зубцами.
2. Извлеките аккумулятор из кустореза.
3. Зафиксируйте режущий элемент в тисках и используйте напильник, чтобы удалить выступающую режущую поверхность с каждого зубца. Постарайтесь снять как можно меньше материала. При заточке необходимо сохранять первоначальный угол каждого зубца.
4. Извлеките устройство из тисков, запустите его и снова остановите, чтобы выявить края зубцов с неправильной формой.
5. Извлеките аккумулятор и повторите процедуру заточки.

ПРИМЕЧАНИЕ. Не используйте кусторез с тупыми или поврежденными режущими ножами. Это может вызвать перегрузку и стать причиной неудовлетворительных результатов резки.

СМАЗКА РЕЖУЩЕГО ЭЛЕМЕНТА (Рис. J)

Для обеспечения наилучшей производительности и увеличения срока службы кустореза смазывайте его легким машинным маслом перед каждым использованием и после него.

Извлеките аккумулятор и положите кусторез на ровную поверхность. Распределите масло вдоль края верхнего ножа.

ПРИМЕЧАНИЕ. При длительном использовании кустореза смазывайте нож во время резки.

⚠ ПРЕДУПРЕЖДЕНИЕ. Не наносите смазочный материал во время работы кустореза.

ТРАНСПОРТИРОВКА И ХРАНЕНИЕ

- Перед хранением или транспортировкой кустореза всегда устанавливайте чехол режущего элемента. Будьте осторожны с острыми зубьями режущего элемента.
- Перед помещением на хранение тщательно очистите кусторез.
- Храните кусторез в сухом, хорошо проветриваемом помещении, недоступном для детей.

RU

- Храните вдали от источников коррозии, таких как садовые удобрения и техническая соль.

⚠ ПРЕДУПРЕЖДЕНИЕ. Ножи очень острые. При работе с узлом ножа надевайте нескользящие, сверхпрочные защитные перчатки. Не помещайте руки или пальцы между ножами и в любое другое положение, где они могут быть защемлены или отрезаны. НИКОГДА не прикасайтесь к ножам и не ремонтируйте устройство, если в нем установлен аккумулятор..

Защита окружающей среды



Не выбрасывайте электроприборы, зарядные устройства и аккумуляторные батареи вместе с бытовыми отходами! Отправьте данное изделие на переработку в специализированное предприятие или сдайте его для отдельного сбора. Электроинструменты должны быть возвращены на перерабатывающее предприятие, не наносящее ущерба окружающей среде.

RU

KEES VAN DER SPEK
TUINMACHINES ★ STOLWIJK

НІВАЕЛHÁРІTÁS

ПРОБЛЕМА	ПРИЧИНА	РЕШЕНИЕ
КУСТОРЕЗ НЕ РАБОТАЕТ.	<ul style="list-style-type: none"> ■ Аккумулятор не установлен в кусторез. ■ Нет электрического контакта между кусторезом и аккумулятором. ■ Аккумулятор разряжен. ■ Аккумулятор перегрелся. ■ Кусторез перегрелся. ■ Передний и задний курки не зажаты одновременно. ■ Нож заклинило. 	<ul style="list-style-type: none"> ■ Установите аккумулятор в кусторез. ■ Извлеките аккумулятор, проверьте контакты и установите его снова. ■ Зарядите аккумулятор. ■ Извлеките аккумулятор из устройства и дайте ему остыть, пока температура не упадет ниже 67 °C. ■ Отпустите оба курки и дайте устройству остыть, пока температура не упадет до нормальной. ■ Сначала нажмите кнопку блокировки, затем одновременно нажмите курки на передней и задней рукоятках. ■ Извлеките аккумулятор из устройства, удалите застрявшие материалы, затем установите аккумулятор на место и снова запустите устройство.
СИЛЬНАЯ ВИБРАЦИЯ ИЛИ ШУМ.	<ul style="list-style-type: none"> ■ Сухие или ржавые ножи. ■ Нож или его основание погнуты. ■ Согнутый или поврежденный зубец на ноже. ■ Открутите болты ножа. 	<ul style="list-style-type: none"> ■ Смажьте ножи, следуя инструкциям в разделе «СМАЗКА НОЖА» данного руководства. ■ Замените нож или его основание. Обратитесь в сервисный центр EGO для замены ножа или его основания ■ Замените нож. Обратитесь в сервисный центр EGO для замены ножа ■ Закрутите болты ножа. При помощи гаечного ключа закрутите болт по часовой стрелке, чтобы затянуть его.

RU

ГАРАНТИЯ

ГАРАНТИЙНАЯ ПОЛИТИКА EGO

Посетите веб-сайт egopowerplus.com, чтобы ознакомиться со всеми условиями и сроками гарантийной политики EGO.

PRZECZYTAJ WSZYSTKIE INSTRUKCJE!



PRZECZYTAJ INSTRUKCJĘ OBSŁUGI

⚠ OSTRZEŻENIE: Ryzyko resztkowe! Osoby z urządzeniami elektronicznymi, takimi jak rozruszniki serca, powinny przed użyciem produktu skonsultować się ze swoim(i) lekarzem/-ami. Używanie urządzeń elektrycznych blisko rozrusznika serca może spowodować zakłócenia lub uszkodzić rozrusznik.

⚠ OSTRZEŻENIE: Aby zagwarantować bezpieczeństwo i niezawodność, wszystkie naprawy i wymiany części powinny być wykonywane przez wykwalifikowanych techników serwisu.

SYMBOLE BEZPIECZEŃSTWA

⚠ OSTRZEŻENIE: Praca elektronarzędziami może spowodować wyrzucenie ciał obcych w oczy użytkownika, co może doprowadzić do poważnych urazów oczu. Przed rozpoczęciem pracy elektronarzędziem należy zawsze założyć gogle ochronne lub okulary z osłonami bocznymi, a w stosownych przypadkach także pełną osłonę na twarz. Zalecamy nakładanie na zwykłe okulary maski zabezpieczającej o szerokim polu widzenia lub stosowanie standardowych okularów zabezpieczających z osłonami bocznymi.

PL



Ostrzeżenie dotyczące bezpieczeństwa



Aby ograniczyć ryzyko urazów, użytkownik musi przeczytać instrukcję operatora.



Nie używać w deszczu i nie zostawiać na dworze podczas deszczu.



Gwarantowany poziom mocy akustycznej. Emisja hałasu do środowiska zgodnie z dyrektywą Wspólnoty Europejskiej.



Ten produkt jest zgodny z obowiązującymi dyrektywami WE.



Zużytych wyrobów elektrycznych nie należy wyrzucać razem ze zwykłymi odpadami domowymi. Należy je oddać do autoryzowanego punktu recyklingu.



Zawsze noś osłonę na oczy lub okulary ochronne z bocznymi osłonami lub całkowitą osłoną twarzy podczas obsługi tego produktu.



Nigdy nie należy próbować używać elektronarzędzia jedną ręką. Utrata kontroli nad elektronarzędziem może spowodować poważne obrażenia lub śmierć. Aby ograniczyć ryzyko ran ciętych, ręce i stopy należy trzymać z dala od narzędzia tnącego. Nigdy nie należy mocować poruszającego się narzędzia tnącego do ręki lub innej części ciała.



Długość ostrza



Maks. szerokość cięcia ostrzem

V Napięcie

≡ Prąd stały

.../min Na minutę

mm Milimetr

cm Centymetr

n_0 Prędkość bez obciążenia

SPECYFIKACJA

Model	HT2410E	HT2000E	
Napięcie	56 V $\overline{\text{---}}$	56 V $\overline{\text{---}}$	
Prędkość bez obciążenia	1500 /min	1500 /min	
Długość ostrza	61 cm	51 cm	
Grubość cięcia	26 mm	25 mm	
Waga (bez akumulatora)	3,1 kg	2,9 kg	
Zalecana temperatura użytkowania	0°C-40°C	0°C-40°C	
Zalecana temperatura przechowywania	-20°C-70°C	-20°C-70°C	
Zmierzony poziom mocy akustycznej L_{WA}	94,47 dB(A) K=1,5 dB(A)	91,24 dB(A) K=1,03 dB(A)	
Poziom ciśnienia akustycznego w pozycji operatora L_{PA}	83,9 dB(A) K=3,0 dB(A)	80,62 dB(A) K=3,0 dB(A)	
Gwarantowany poziom mocy akustycznej L_{WA} (zgodnie z dyrektywą 2000/14/WE)	96 dB(A)	92 dB(A)	
Drgania a_h	Uchwyt przedni	1,8 m/s ² K=1,5 m/s ²	2,195 m/s ² K=1,5 m/s ²
	Uchwyt tylny	1,7 m/s ² K=1,5 m/s ²	1,836 m/s ² K=1,5 m/s ²

- Deklarowana całkowita wartość drgań została zmierzona zgodnie ze standardowymi metodami testowania i może służyć do porównywania różnych narzędzi.
- Deklarowana całkowita wartość drgań może również służyć do wstępnej oceny narażenia na drgania.

UWAGA: W zależności od sposobu eksploatacji, emisja wibracji podczas faktycznego użytkowania elektronarzędzia może się różnić od wartości deklarowanej. Aby chronić operatora, w rzeczywistych warunkach użytkowania użytkownik powinien nosić rękawice i nauszники ochronne.

LISTA ELEMENTÓW W OPAKOWANIU (RYS. A1)

OPIS

ZAPOZNANIE SIĘ Z NOŻYCAMI DO ŻYWOPLOTU (Rys. A1)

1. Otwór do zawieszania
2. Osłona końcówki
3. Ostrze

4. Osłona ręki
5. Uchwyt przedni
6. Przycisk odblokowujący
7. Uchwyt tylny
8. Przycisk odblokowujący akumulator
9. Zatrząsk
10. Styki elektryczne
11. Szczelina do montażu akumulatora
12. Wysuwanie akumulatora
13. Tylna dźwignia przełączająca
14. Czołowa dźwignia przełączająca
15. Otwór do zawieszania
16. Osłona ostrza

⚠ OSTRZEŻENIE: Ten produkt został wysłany w stanie całkowicie zmontowanym. Osłony ręki nie wolno zdejmować podczas użytkowania. W razie uszkodzenia niezwłocznie zleć wymianę fachowemu technikowi serwisowemu.

⚠ OSTRZEŻENIE: Bezpieczne używanie tego produktu wymaga zrozumienia informacji podanych na narzędziu oraz w niniejszej instrukcji operatora. Konieczna jest także znajomość realizowanego projektu. Przed użyciem produktu należy zapoznać się z wszystkimi jego funkcjami oraz z zasadami dotyczącymi bezpieczeństwa.

UŻYTKOWANIE

⚠ OSTRZEŻENIE: Nie wolno dopuść do tego, aby znajomość narzędzia doprowadziła do nieuwagi. Należy pamiętać, że do spowodowania poważnych obrażeń wystarczy zaledwie chwila nieuwagi.

⚠ OSTRZEŻENIE: Należy zawsze nosić środki ochrony oczu z osłonami bocznymi, a także środki ochrony uszu. Nieprzestrzeganie tego zalecenia może doprowadzić do poważnych obrażeń oczu odłamkiem lub skrawkiem materiału wyrzuconym przez pracujące narzędzie, a także grozi innymi możliwymi urazami.

⚠ OSTRZEŻENIE: Aby zapobiec przypadkowemu włączeniu, które mogłoby spowodować ciężkie urazy, z narzędzia należy zawsze wyjmować akumulator na czas mocowania części, regulacji, czyszczenia lub gdy narzędzie nie jest używane.

⚠ OSTRZEŻENIE: Nie należy używać końcówek lub akcesoriów innych niż zalecane przez EGO™. Używanie końcówek lub akcesoriów innych niż zalecane może doprowadzić do poważnych obrażeń.

PL

Przed każdym użyciem należy skontrolować cały produkt pod kątem ewentualnych uszkodzeń, brakujących lub poluzowanych części takich jak śruby, nakrętki, kołpaki, korki itp. Wszystkie elementy mocujące i korki należy mocno dokręcić. Produktu nie należy włączać do czasu aż wszystkie brakujące lub uszkodzone części nie zostaną wymienione.

ZASTOSOWANIE

HT2410E: Narzędzia można używać do przycinania żywoplotów, krzewów i krzaków o średnicy gałęzi poniżej $\varnothing 26\text{mm}$ (HT2410E) / $\varnothing 25\text{mm}$ (HT2000E).

UWAGA: Narzędzia należy używać tylko do celów zgodnych z przeznaczeniem. Wszelkie inne zastosowania uznaje się za niezgodne z przeznaczeniem.

INSTALOWANIE/WYJMOWANIE AKUMULATORA

Do urządzenia należy używać wyłącznie akumulatorów i ładowarek podanych na rys. A2.

PL

Naladować przed pierwszym użyciem.

Instalowanie (Rys. B)

Należy wyrównać żeberka akumulatora względem szczeliny mocujących i wsunąć akumulator do ładowarki aż da się słyszeć kliknięcie.

Wyjmowanie (Rys. C)

Należy wcisnąć przycisk wyjmowania akumulatora i wysunąć akumulator.

⚠ OSTRZEŻENIE: Gdy użytkownik naciska przycisk wyjmowania akumulatora, należy mieć zawsze świadomość tego, gdzie znajdują się stopy użytkownika, dzieci i zwierzęta. Upuszczenie akumulatora może doprowadzić do poważnych urazów. NIGDY nie należy wyjmować akumulatora na znacznej wysokości.

PRZYTRZYMYWANIE NOŻYC DO ŻYWOPLOTÓW (Rys. D, E i F)

Urządzenia ma uchwyt przedni i tylny. Trzymaj urządzenia za oba uchwyty, ostrzem odwróconym od siebie. Dźwignię przełącznika na uchwycie przednim można uruchomić z każdej z trzech stron, zapewniając sobie wybór wygodnego uchwytu przy wykonywaniu różnych operacji cięcia.

⚠ OSTRZEŻENIE: Nożyce do żywoplotu należy zawsze trzymać oburącz. Nigdy nie należy przytrzymywać krzewów jedną ręką, a drugą ręką manewrować nożycami. Niezastosowanie się do tego ostrzeżenia może doprowadzić do poważnych urazów.

WŁĄCZANIE/WYŁĄCZANIE NOŻYC DO ŻYWOPLOTU

Przed przystąpieniem do pracy należy zdjąć osłonę ostrza i chwycić nożyce obydwiema rękoma, jedną ręką na uchwycie tylnym, a drugą na uchwycie przednim. Następnie należy sprawdzić stabilność podłoża. Użytkownik powinien stać wyprostowany w odpowiedniej odległości od przycinanego żywoplotu.

Włączanie

1. Zainstaluj akumulator.
2. Jedną ręką wcisnij i przytrzymaj dźwignię przełącznika na uchwycie przednim.
3. Kciukiem drugiej ręki wcisnij i przytrzymaj przycisk odblokowania, następnie wcisnij palcami dźwignię przełącznika tylnego, aby uruchomić nożyce. Zwolnij przycisk odblokowania i w dalszym ciągu wciskaj wyzwalacz, aby podtrzymać działanie.

Wyłączanie

Przesuwaj nożycami po miejscu cięcia i zwalniasz dźwignię przełącznika tylnego, aby zatrzymać urządzenie.

⚠ OSTRZEŻENIE: W czasie przerw w pracy i po zakończeniu pracy należy zawsze wyjmować akumulator z nożyc.

UŻYWANIE NOŻYC DO ŻYWOPLOTU

⚠ OSTRZEŻENIE: Jeżeli OSTRZE zakleszczy się na jakimkolwiek przewodzie elektrycznym lub kablu, NIE WOLNO GO DOTYKAĆ! OSTRZE MOŻE BYĆ POD NAPIĘCIEM I MOŻE BYĆ BARDZO NIEBEZPIECZNE. Należy nadal trzymać nożyce do żywoplotu za izolowany uchwyt tylny lub odłożyć je w bezpieczny sposób. Następnie trzeba wyłączyć zasilanie przewodu/kabla. Dopiero potem można spróbować wyplątać ostrze z przewodu lub kabla. Niezastosowanie się do tego ostrzeżenia doprowadzi do poważnych urazów i grozi śmiercią.

⚠ OSTRZEŻENIE: Należy unikać jednoczesnego przycinania zbyt dużych ilości gałęzi lub strzyżenia bardzo gęstych i zbitych krzewów. Może to doprowadzić do zacięcia się noży i spowolnienia ich pracy, co zmniejszyłoby wydajność cięcia.

INFORMACJA: Nożyce należy używać do cięcia gałązek o grubości do 26 mm.

UWAGA: Młode pędy najlepiej jest przycinać szerokimi ruchami zagarniającymi je bezpośrednio do ostrza tnącego. W przypadku starszych, grubszych gałęzi dobrze jest wykonywać ruchy podobne do pilowania. Zaleca się, aby przed rozpoczęciem wyciąć wszystkie grube gałęzie piłą ręczną.

Strzyżenie z góry

Należy wykonywać szerokie, zagarniające ruchy. Najlepsze efekty daje lekkie nachylenie noży w dół w kierunku ruchu. Aby zwiększyć efektywność cięcia, można także używać sznurka jako prowadnicy pozwalającej wyrównać górną krawędź żywopłotu tak jak na Rys. G.

Strzyżenie po bokach

Podczas przycinania boków żywopłotu należy rozpoczynać od dołu i strzyć w górę tak jak na Rys. H. Boczną stronę żywopłotu strzyż tak, by zwięźlała się lekko ku górze. Ten kształt będzie wystawiać więcej żywopłotu na działanie słońca powodując bardziej równomierny wzrost.

KONSERWACJA

⚠️ OSTRZEŻENIE: Podczas serwisowania należy używać wyłącznie części zamiennych identycznych z oryginalnymi. Używanie jakichkolwiek innych części stwarza ryzyko i może spowodować usterkę produktu. Aby zagwarantować bezpieczeństwo i niezawodność, wszystkie naprawy powinny być wykonywane przez wykwalifikowanych techników serwisu.

⚠️ OSTRZEŻENIE: Aby uniknąć poważnych obrażeń ciała, na czas czyszczenia lub wykonywania prac konserwacyjnych należy zawsze wyjmować z urządzenia akumulator.

CZYSZCZENIE

- Do usuwania zanieczyszczeń z wlotów powietrza i z ostrza tnącego należy używać miękkiej szczoteczki.
- W celu usunięcia smoły i innych lepjących się osadów należy spryskać noże rozpuszczalnikiem do żywicy. Aby równomiernie rozprowadzić rozpuszczalnik, wystarczy na chwilę włączyć silnik.
- Przetrzeć powierzchnię suchą ściereczką.

⚠️ OSTRZEŻENIE: Do czyszczenia nożyc nigdy nie należy używać wody. Podczas czyszczenia części plastikowych należy unikać używania rozpuszczalników. Pod wpływem działania różnego rodzaju dostępnych w handlu rozpuszczalników większość tworzyw sztucznych ulega uszkodzeniu. Do usuwania zabrudzeń, kurzu, oleju, smaru itp. należy używać czystych ściereczek.

OSTRZENIE OSTRZA TNĄCEGO

1. Nożyce do żywopłotu uruchamiaj i zatrzymuj aż ostrze i osłona są lekko wyrównane, jak przedstawiono na Rys. I. To umożliwi przeświet na pilnik między zębami tnącymi i zębami osłony.
2. Wyjąć akumulator z nożyc do żywopłotu.
3. Zaciśnąć ostrze w imadle i przeszlifować pilnikiem odsłonięte powierzchnie tnące wszystkich zębów ostrza. Należy zeszlifowywać możliwie jak najmniejszą ilość materiału. Pilując dbaj o zachowanie pierwotnego kąta każdego zęba.
4. Zdejmij nożyce z imadła; uruchom je i zatrzymaj, aby odsłonić nienaostrome krawędzie zębów ostrza.
5. Wyjmij akumulator i powtórz powyższą procedurę ostrzenia.

UWAGA: Nie należy używać nożyc z tępymi lub uszkodzonymi nożami. Mogłoby to doprowadzić do przeciążenia narzędzia i spowodować, że efekty strzyżenia byłyby niezadowalające.

SMAROWANIE OSTRZA (Rys. J)

Aby uzyskać optymalne działanie ostrza i przedłużyć jego żywotność, ostrze nożyc do żywopłotu należy smarować lekkim olejem maszynowym każdorazowo przed i po użyciu.

Wyjąć akumulator i położyć nożyce na płaskiej powierzchni. Nałożyć olej wzdłuż krawędzi górnego ostrza.

UWAGA: W przypadku użytkowania przez dłuższy czas, ostrze należy smarować olejem również w przerwach w czasie pracy.

⚠️ OSTRZEŻENIE: Nożyc do żywopłotu nie należy smarować w czasie, kiedy pracują.

TRANSPORT I PRZECHOWYWANIE

- Przed schowaniem lub transportowaniem nożyc do żywopłotu należy zawsze założyć na ostrze osłonę na ostrze. Aby nie skaleczyć się zębami ostrza, prosimy zachować ostrożność.
- Przed schowaniem nożyce do żywopłotu należy dokładnie wyczyścić.
- Nożyce do żywopłotu należy przechowywać w suchym pomieszczeniu niedostępnym dla dzieci.
- Narzędzie należy chronić przed zżrącymi substancjami takimi jak chemia ogrodnicza i sól do usuwania lodu.

EGO

⚠ OSTRZEŻENIE: Noże są ostre. Prace przy ostrzu z nożami, należy wykonywać w antypoślizgowych solidnych rękawicach ochronnych. Nie należy wkładać dłoni lub palców między noże lub w jakiegokolwiek inne miejsce, w którym mogłyby zostać przytrzaśnięte lub skaleczone. NIGDY nie należy dotykać noży lub wykonywać czynności serwisowych, gdy w urządzeniu jest zainstalowany akumulator.

Ochrona środowiska



Urządzeń elektrycznych, zużytych akumulatorów i ładowarki nie należy wyrzucać do zwykłych zmieszanych śmieci domowych! Produkt należy odnieść do autoryzowanego punktu recyklingu i oddać do zbiórki selektywnej. Elektronarzędzia należy oddawać do przyjaznego dla środowiska zakładu recyklingu.

PL

KEES VAN DER SPEK
TUINMACHINES ★ STOLWIJK

74

BEZPRZEWODOWE NOŻYCE DO ŻYWOPLOTU Z BATERIĄ LITOWO-JONOWĄ 56 WOLTÓW — HT2410E/HT2000E

ROZWIĄZYWANIE PROBLEMÓW

PROBLEM	PRZYCZYNA	ROZWIĄZANIE
NOŻYCE DO ŻYWOPŁOTU NIE DZIAŁAJĄ.	<ul style="list-style-type: none"> ■ Do nożyc nie włożono akumulatora. ■ Nożyce i akumulator nie kontaktują. ■ Akumulator jest rozładowany. ■ Akumulator jest zbyt gorący. ■ Nożyce do żywopłotu są zbyt gorące. ■ Dźwignie przełączające przednia i tylna nie zostały wciśnięte jednocześnie. ■ Ostrze zablokowało się. 	<ul style="list-style-type: none"> ■ Włożyć akumulator do nożyc do żywopłotu. ■ Wyjąć akumulator, sprawdzić styki i założyć akumulator z powrotem. ■ Naładować akumulator. ■ Wyjąć akumulator z narzędzia i pozwolić mu ostygnąć do temperatury poniżej 67°C. ■ Puścić obie dźwignie przełączające, pozwolić nożycom ostygnąć do normalnej temperatury. ■ Najpierw wciśnij przycisk odblokowania, następnie równocześnie dźwignie przełączające na przednim i tylnym uchwycie. ■ Wyjąć akumulator z narzędzia, ostrożnie usunąć to, co blokuje narzędzie i ponownie włożyć akumulator do narzędzia.
NADMIERNE DRGANIA LUB HAŁAS.	<ul style="list-style-type: none"> ■ Suche lub skorodowane noże. ■ Wygięte noże lub wspornik noży. ■ Wygięte lub uszkodzone zęby. ■ Poluzowane śruby ostrza. 	<ul style="list-style-type: none"> ■ Nasmarować noże zgodnie z zaleceniami podanymi w części „SMAROWANIE OSTRZA” niniejszej instrukcji. ■ Wymienić ostrze lub wspornik na nowe. Skontaktować się z punktem serwisowy EGO w celu wymiany ostrza i wspornika. ■ Wymienić ostrze na nowe. Skontaktować się z punktem serwisowy EGO w celu wymiany ostrza. ■ Dokręcić śruby ostrza. Dokręcić śrubę kluczem, kręcić w prawo (zgodnie z kierunkiem ruchu wskazówek zegara).

PL

GWARANCJA

POLITYKA GWARANCYJNA EGO

W celu zapoznania się z wszystkimi warunkami polityki gwarancyjnej EGO prosimy odwiedzić stronę egopowerplus.com.

PŘEČTĚTE SI VŠECHNY POKYNY!



PŘEČTĚTE SI NÁVOD K OBSLUZE

VAROVÁNÍ: Potenciální riziko! Lidé s elektronickými přístroji, jako jsou např. kardiostimulátory, by se měli před použitím toho výrobku poradit se svým lékařem. Použití elektrického zařízení v těsné blízkosti kardiostimulátoru může způsobit narušení činnosti nebo poruchu kardiostimulátoru.

VAROVÁNÍ: Z důvodu bezpečnosti by měl všechny opravy a výměny provádět kvalifikovaný servisní technik.

BEZPEČNOSTNÍ SYMBOLY

VAROVÁNÍ: Při použití elektrického nářadí může dojít k vyvrstvení cizích těles do očí, což může způsobit jejich závažné poškození. Před použitím elektrického nářadí si vždy nasadte ochranné brýle, ochranné brýle s bočními kryty nebo v případě potřeby obličejový štít. Na brýle nebo standardní ochranné brýle s bočními kryty doporučujeme použít ochrannou masku.



Bezpečnostní upozornění



Z důvodu snížení rizika úrazu si musí uživatel přečíst návod k obsluze.

CZ



Nepoužívejte ani nenechávejte venku na dešti.



Zaručená hladina akustického výkonu. Emise hluku do prostředí dle směrnice Evropského společenství.



Tento výrobek je v souladu s platnými směrnici ES.



Odpadní elektrické výrobky se nesmí likvidovat s domovním odpadem. Odevzdejte je do autorizovaného recyklačního střediska.



Vždy noste ochranné brýle, ochranné brýle s bočními kryty nebo obličejový štít při použití tohoto výrobku.



Nikdy se nepokoušejte ovládat nářadí jednou rukou. Při ztrátě kontroly nad elektrickým nářadím může dojít k vážnému nebo smrtelnému zranění. Aby se snížilo riziko pořezání, udržujte ruce a nohy v bezpečné vzdálenosti od řezného nástroje. Nikdy nepřipojujte pohybující se řezný nástroj rukou nebo jakoukoliv jinou částí těla.



Délka lišty



Max. řezný výkon lišty

V Napětí

≡ Stejnoseměrný proud

.../min Za minutu

mm Milimetr

cm Centimetr

n_0 Rychlost při chodu naprázdno

SPECIFIKACE

Model	HT2410E	HT2000E	
Napětí	56 V ---	56 V ---	
Rychlost při chodu naprázdno	1500 /min	1500 /min	
Délka lišty	61 cm	51 cm	
Řezný výkon	26 mm	25 mm	
Hmotnost nůžek (bez akumulátoru)	3,1 kg	2,9 kg	
Doporučená provozní teplota	0°C-40°C	0°C-40°C	
Doporučená skladovací teplota	-20°C-70°C	-20°C-70°C	
Měřená hladina akustického výkonu L_{WA}	94,47 dB(A) K=1,5 dB(A)	91,24 dB(A) K=1,03 dB(A)	
Hladina akustického tlaku L_{PA} pro obsluhu	83,9 dB(A) K=3,0 dB(A)	80,62 dB(A) K=3,0 dB(A)	
Zaručená úroveň akustického výkonu L_{WA} (podle 2000/14/ES)	96 dB(A)	92 dB(A)	
Vibrace a_h	Přední rukojeť	1,8 m/s ² K=1,5 m/s ²	2,195 m/s ² K=1,5 m/s ²
	Zadní rukojeť	1,7 m/s ² K=1,5 m/s ²	1,836 m/s ² K=1,5 m/s ²

- Celková deklarovaná hodnota vibrací byla naměřena podle standardní zkušební metody a lze ji použít ke srovnání s jiným nářadím;
- Celkovou deklarovanou hodnotu vibrací lze použít také k předběžnému stanovení expozičních limitů.

POZNÁMKA: Emise vibrací při konkrétním použití elektrického nářadí se mohou lišit od deklarované hodnoty, při které se nářadí používá; z důvodu ochrany provozovatele by měl uživatel ve skutečných pracovních podmínkách nosit rukavice a chrániče sluchu.

OBSAH BALENÍ (OBR. A1)

POPIS

SEZNAMTE SE S VAŠIMI PLOTOVÝMI NŮŽKAMI (obr. A1)

1. Závěsný otvor
2. Ochrana hrotu
3. Lišta
4. Chráníč rukou

5. Přední rukojeť
6. Blokovací tlačítko
7. Zadní rukojeť
8. Tlačítko pro uvolnění akumulátoru
9. Západa
10. Elektrické kontakty
11. Instalační drážka akumulátoru
12. Uvolnění baterie
13. Zadní pákový spínač
14. Přední pákový spínač
15. Závěsný otvor
16. Chráníč lišty

VAROVÁNÍ: Tento výrobek je dodáván kompletně smontovaný. Chráníč rukou nesmí být během používání nikdy odstraněn. Ihned po poškození jej nechte vyměnit kvalifikovaným servisním technikem.

VAROVÁNÍ: Bezpečné používání tohoto výrobku vyžaduje seznámení s informacemi na nářadí a v tomto návodu k obsluze a také s projektem, na kterém pracujete. Před použitím výrobku se seznámte se všemi provozními funkcemi a bezpečnostními zásadami.

GZ

POUŽITÍ

VAROVÁNÍ: Dbejte, abyste se po seznámení s výrobkem nestali neopatrní. Nezapomínejte, že stačí chvilka nepozornosti a může se stát vážný úraz.

VAROVÁNÍ: Vždy používejte ochranu očí s bočními štíty spolu s chrániči sluchu. Pokud tak neučiníte, může dojít k vymrštění předmětu do očí, nebo případně jiným vážným úrazům.

VAROVÁNÍ: Pokud provádíte montáž dílů, úpravy, čištění, nebo foukač nepoužíváte, vždy vyjměte akumulátor, aby nedošlo k neúmyslnému spuštění, které může způsobit vážný úraz.

VAROVÁNÍ: Nepoužívejte nástavce nebo příslušenství, které nedoporučuje společnost EGO™. Použití nedoporučených nástavců a příslušenství může vést k vážnému úrazu.

Před každým použitím zkontrolujte celý výrobek, zda není poškozen, nechybí nebo nejsou uvolněné žádné díly, jako např. vrtvy, matice, šrouby, uzávěry atd. Pevně utáhněte všechny upevňovací prvky a uzávěry a výrobek nepoužívejte, dokud se nevymění všechny chybějící nebo poškozené díly.

POUŽITÍ

HT2410E: Tento výrobek můžete použít ke stříhání živých plotů, keřů a křovin s průměrem větví menším než $\varnothing 26$ mm (HT2410E) / $\varnothing 25$ mm (HT2000E).

POZNÁMKA: Nářadí se smí používat pouze k vyhrazenému účelu. Jakékoliv jiné použití se považuje za nesprávné.

INSTALACE/VYJMUTÍ AKUMULÁTORU

Používejte pouze akumulátory a nabíječky uvedené na obr. A2.

Před prvním použitím akumulátor nabijte.

Instalace (obr. B)

Srovnejte žebrování akumulátoru s instalačními drážkami a tlačte baterii dokud neuslyšíte „kliknutí“.

Sejmutí (obr. C)

Stiskněte tlačítko pro uvolnění akumulátoru a vytáhněte jej.

VAROVÁNÍ: Při stisku tlačítka pro uvolnění akumulátoru dávejte pozor na nohy, děti nebo domácí zvířata. Pokud akumulátor upadne, může dojít k vážnému úrazu. NIKDY nevyjímejte akumulátor ve zdvižené poloze.

JAK DRŽET PLOTOVÉ NŮŽKY (Obr. D, E & F)

Jednotka má přední i zadní rukojeť. Jednotku držte za obě rukojeti s lištou orientovanou směrem od vás. Pákový spínač v přední rukojeti může být aktivován na libovolné ze tří stran, což vám poskytuje celou škálu možností pro pohodlné uchopení nůžek při stříhání.

VAROVÁNÍ: Rukojeti plotových nůžek vždy držte oběma rukama. Nikdy nedržte jednou rukou keř a druhou neovládejte plotové nůžky. Pokud se nebudete řídit tímto varováním, může dojít k vážnému úrazu.

SPUŠTĚNÍ/VYPNUTÍ PLOTOVÝCH NŮŽEK

Před spuštěním sejmete kryt a držte nůžky oběma rukama, jednou za zadní a druhou za přední rukojeť. Pak zkontrolujte vyvážený postoj, vzpřímené postavení a správnou stříhací vzdálenost.

Spuštění

1. Nainstalujte akumulátor.
2. Jednou rukou stiskněte a podržte páku spínače v přední rukojeti.

3. Stiskněte a podržte blokovací tlačítko palcem druhé ruky a stisknutím páčky zadního spínače spusťte stříhání živého plotu. Uvolněte blokovací tlačítko a držte stlačený spínač a pokračujte v práci.

Zastavení

Nůžky přesuňte pryč od oblasti stříhání a uvolněte páčku zadního spínače, abyste nůžky zastavili.

VAROVÁNÍ: Při přestávce a po skončení práce vždy z nůžek vyjměte akumulátor.

POUŽITÍ PLOTOVÝCH NŮŽEK

VAROVÁNÍ: Pokud lišta uvízne na elektrickém kabelu nebo vedení, NEDOTÝKEJTE SE LIŠTY! MŮŽE SE STÁT ELEKTRICKY VODIVOU A VELMI NEBEZPEČNOU. Držte nadále plotové nůžky za izolovanou zadní rukojeť, nebo je položte v bezpečné vzdálenosti od sebe. Než se pokusíte uvolnit lištu z vedení nebo kabelu, odpojte je z elektrické sítě. Nedodržení tohoto varování povede k vážnému úrazu nebo dokonce smrti.

VAROVÁNÍ: Vyhýbejte se stříhání nadměrného množství najednou nebo skrz husté křoví. Lišta může uvíznout, zpomalit a tím se sníží účinnost stříhání.

POZNÁMKA: Nůžky se používají ke stříhání větví užších než (26 mm).

POZNÁMKA: U nového porostu je vhodný široký záběr, aby se větve dostaly přímo do střížné lišty. U staršího porostu je vhodný pilový pohyb pro stříhání silnějších větví. Pro stříhání silných větví je vhodné použít nejprve ruční nebo prořezávací pilu.

Horní stříhání

Použijte pohyb se širokým záběrem. Nejlepších výsledků stříhání dosáhnete při mírném naklonění střížné lišty směrem dolů ve směru pohybu. Pro dosažení lepšího účinku stříhání můžete použít k vedení úrovně nůžek šňůru, jak je znázorněno na obr. G.

Boční stříhání

Při stříhání bočních stran křovin začněte dole a stříhejte směrem nahoru, jak je znázorněno na obrázku H. Plot stříhejte tak, aby byl v horní části užší. Tímto způsobem bude větší část živého plotu vystavena slunečním paprskům, což povede k jeho rovnoměrnějšímu růstu.

ÚDRŽBA

VAROVÁNÍ: Při opravách používejte pouze originální náhradní díly. Použití jiných dílů může být rizikem nebo způsobit poškození výrobku. Z důvodu bezpečnosti by měl všechny opravy provádět kvalifikovaný servisní technik.

VAROVÁNÍ: Aby nedošlo k vážnému úrazu, vždy při čištění nebo jiné údržbě vyjměte z výrobku akumulátor.

ČIŠTĚNÍ

- Měkkým hadrem odstraňte nečistoty ze všech přívodů vzduchu střížné lišty.
- Pokud chcete odstranit pryskyřici nebo jiné lepidlo zbytky, nastříkejte lištu rozpouštědlem pryskyřic. Krátce spusťte motor tak, aby se rozpouštědlo rovnoměrně rozptýlilo.
- Setřete povrch suchým hadrem.

VAROVÁNÍ: K čištění nůžek nikdy nepoužívejte vodu. K čištění plastových dílů nepoužívejte rozpouštědla. Většina plastů je náchylná k poškození různými typy komerčních rozpouštědel. K odstranění nečistot, prachu, oleje, maziva atd. použijte čistý hadr.

BROUŠENÍ STŘIŽNÉ LIŠTY

1. Spouštějte a zastavujte nůžky tak dlouho, dokud nebude lišta a kryt nůžek lehce mimo zarovnání, jak uvádí Obr. I. Díky tomu vznikne mezi zuby nůžek a ochrannými zuby mezera pro pilník.
2. Vyjměte akumulátor z plotových nůžek.
3. Upevněte sestavu lišty do svěráku a pilujte odkryté břity jednotlivých zubů lišty. Odstraňte co nejmenší množství materiálu. Při pilování se ujistěte, že je zachován původní úhel každého zubu.
4. Demontujte nůžky ze svěráku; opět je spusťte a zastavte, abyste odkryli nenaostřené hrany zubů lišty.
5. Vyjměte akumulátor a opakujte výše uvedený postup ostření.

POZNÁMKA: Plotové nůžky nepoužívejte s tupou nebo poškozenou střížnou lištou. Může dojít k přetížení a neuspokojivým výsledkům stříhání.

MAZÁNÍ LIŠTY (Obr. J)

Pro lepší funkci a delší životnost lišty mažte lištu plotových nůžek před a po každém použití lehkým strojním olejem.

Vyjměte akumulátor a položte nůžky na rovný povrch. Aplikujte olej podél hrany horní lišty.

POZNÁMKA: Při dlouhodobém používání mažte lištu i během stříhání.

VAROVÁNÍ: Plotové nůžky neolejujte, pokud jsou v provozu.

PŘEPRAVA A SKLADOVÁNÍ

- Před uskladněním nebo přepravou plotových nůžek vždy nasadte kryt lišty. Dávejte pozor na ostré zuby lišty.
- Před uskladněním plotové nůžky řádně vycištěte.
- Plotové nůžky skladujte v interiéru, na suchém místě, které je mimo dosah dětí.
- Uchovávejte je v bezpečné vzdálenosti od korozivních látek, jako jsou chemické látky a rozmrazovací soli.

VAROVÁNÍ: Lišty jsou ostré. Při manipulaci se sestavou lišt používejte protiskluzové, odolné ochranné rukavice. Nestrkejte ruce ani prsty mezi lišty ani na žádné jiné místo, kde by mohlo dojít k jejich sevření nebo úřinutí. NIKDY se nedotýkejte lišt ani neprovádějte servis s instalovaným akumulátorem.

Ochrana životního prostředí



Elektrické zařízení, použité baterie nabíječku nevhazujte do domovního odpadu! Tento výrobek předejte autorizované recyklační společnosti ke tříděnému sběru. Elektrické nářadí je třeba vrátet do speciálních zařízení k ekologické recyklaci.

GZ

ODSTRAŇOVÁNÍ PROBLÉMŮ

PROBLÉM	PŘÍČINA	ŘEŠENÍ
PLOTOVÉ NŮŽKY NEFUNGUJÍ.	<ul style="list-style-type: none"> ■ K plotovým nůžkám není připojen akumulátor. ■ Bez elektrického kontaktu mezi plotovými nůžkami a akumulátorem. ■ Akumulátor je vybitý. ■ Akumulátor je příliš horký. ■ Plotové nůžky jsou příliš horké. ■ Obě páky (předního a zadního) spínače nejsou stisknuté současně. ■ Lišta se zablokovala. 	<ul style="list-style-type: none"> ■ Nasaďte akumulátor na plotové nůžky. ■ Vyměňte akumulátor, zkontrolujte póly a znovu jej nainstalujte. ■ Nabijte akumulátor. ■ Vyměňte akumulátor z nářadí a nechte jej zchladnout, dokud teplota neklesne pod 67 °C. ■ Uvolněte obě páky spínače a nechte nůžky zchladnout, dokud teplota neklesne na běžnou teplotu. ■ Nejprve stiskněte blokovací tlačítko a poté současně stiskněte pákové spínače v přední a zadní rukojeti. ■ Vyměňte akumulátor z nářadí, opatrně odstraňte překážku, vložte akumulátor a nářadí restartujte.
NADMĚRNÉ VIBRACE NEBO HLUK.	<ul style="list-style-type: none"> ■ Suché nebo zkorodované lišty. ■ Lišty nebo podpěra lišt jsou uhnuté. ■ Ohnuté nebo poškozené zuby. ■ Povolte šrouby lišt. 	<ul style="list-style-type: none"> ■ Namažte lišty podle pokynů v části „MAZÁNÍ LIŠTY“ tohoto návodu. ■ Vyměňte za novou lištu nebo podpěru. Výměnu lišty nebo podpěry zajistí servisní středisko společnosti EGO uvedené. ■ Vyměňte za novou lištu. Výměnu lišty zajistí servisní středisko společnosti EGO uvedené. ■ Dotáhněte šrouby lišt. Použijte klíč, matici utáhněte ve směru hodinových ručiček.

CZ

ZÁRUKA

ZÁRUKA SPOLEČNOSTI EGO

Úplné záruční podmínky společnosti EGO naleznete na webové stránce egopowerplus.com.

PREČÍTAJTE SI VŠETKY POKYNY!



PREČÍTAJTE SI NÁVOD NA OBSLUHU

VAROVANIE: Potenciálne riziká! Ľudia s elektronickými zariadeniami, napríklad kardiostimulátorom, musia používanie tohto výrobku konzultovať so svojim lekárom. Použitie elektrických zariadení v tesnej blízkosti kardiostimulátora by mohlo spôsobiť rušenie alebo zlyhanie kardiostimulátora.

VAROVANIE: Pre zaistenie bezpečnosti a spoľahlivosti je nevyhnutné, aby všetky opravy a výmeny vykonával len kvalifikovaný servisný technik.

BEZPEČNOSTNÉ SYMBOLY

VAROVANIE: Prevádzka akéhokoľvek elektrického náradia môže viesť k vymršteniu cudzích predmetov do vašich očí, čo môže spôsobiť vážne poškodenie zraku. Predtým, než začnete používať elektrické náradie, si vždy nasadte ochranné okuliare alebo ochranné okuliare s postrannými krytmi a prípadne celotvárový štít. Odporúčame použiť bezpečnostnú masku so širokým priezorom na okuliare alebo štandardné bezpečnostné okuliare s postrannými krytmi.



Bezpečnostné upozornenie



Používateľ si musí prečítať návod na obsluhu, aby znížil riziko úrazu.



Nepoužívajte ani nenechávajte vonku na daždi.



Garantovaná hladina akustického výkonu. Emisie hluku do prostredia podľa smernice Európskeho spoločenstva.



Tento výrobok je v súlade s platnými smernicami ES.



Odpadové elektrické výrobky sa nesmú likvidovať spolu s domovým odpadom. Odovzdajte do autorizovaného recyklačného strediska.



Pri používaní výrobku si vždy nasadte bežné ochranné okuliare alebo ochranné okuliare s postrannými krytmi a celo-tvárový štít.



Nikdy sa nepokúšajte ovládať náradie jednou rukou. Pri strate kontroly nad elektrickým náradím môže dôjsť k vážnemu alebo smrteľnému zraneniu. Aby sa znížilo riziko porezania, udržiavajte ruky a nohy v bezpečnej vzdialenosti od rezacieho nástroja. Nikdy nepripájajte pohybujúci sa rezací nástroj rukou alebo akoukoľvek inou časťou tela.



Dĺžka lišty



Max. rezná kapacita lišty

V Napätie

Jednosmerný prúd

.../min Za minútu

mm Milimeter

cm Centimeter

n_0 Rýchlosť bez zaťaženia

SK

TECHNICKÉ ÚDAJE

Model	HT2410E	HT2000E	
Napätie	56 V ---	56 V ---	
Rýchlosť naprázdno	1500 /min	1500 /min	
Dĺžka čepele	61 cm	51 cm	
Rezná kapacita	26 mm	25 mm	
Hmotnosť (bez akumulátora)	3,1 kg	2,9 kg	
Odporúčaná prevádzková teplota	0°C ~ 40°C	0°C ~ 40°C	
Odporúčaná skladovacia teplota	-20°C ~ 70°C	-20°C ~ 70°C	
Hladina akustického výkonu L_{WA}	94,47 dB(A) K=1,5 dB(A)	91,24 dB(A) K=1,03 dB(A)	
Hladina akustického tlaku na mieste obsluhy L_{PA}	83,9 dB(A) K=3,0 dB(A)	80,62 dB(A) K=3,0 dB(A)	
Zaručená úroveň akustického výkonu L_{WA} (podľa 2000/14/ES)	96 dB(A)	92 dB(A)	
Vibrácie a_h	Predná rukoľať	1,8 m/s ² K=1,5 m/s ²	2,195 m/s ² K=1,5 m/s ²
	Zadná rukoľať	1,7 m/s ² K=1,5 m/s ²	1,836 m/s ² K=1,5 m/s ²

- Uvádzaná celková hodnota vibrácií bola meraná v súlade so štandardnou skúšobnou metódou a môže byť použitá na porovnanie jedného zariadenia s iným;
- Uvádzaná celková hodnota vibrácie sa môže použiť aj na predbežný odhad expozície.

POZNÁMKA: Emisia vibrácií pri skutočnom používaní náradia sa môže odlišovať od deklarovanej hodnoty, pri akej sa nástroj používa; Za účelom ochrany obsluhy má používateľ v skutočných podmienkach použitia nosiť rukavice a ochranu sluchu.

OBSAH BALENIA (OBR. A1)

POPIS

SPOZNAJTE VAŠE NOŽNICE NA ŽIVÝ PLOT (obr. A1)

1. Závesný otvor
2. Chránič hrotu
3. Lišta

4. Chránič rúk
5. Predné držadlo
6. Zaisťovacie tlačidlo
7. Zadná rukoľať
8. Tlačidlo na uvoľnenie batérie
9. Západka
10. Elektrické kontakty
11. Montážna drážka pre batériu
12. Vysunutie batérie
13. Zadný páčkový spínač
14. Predný páčkový spínač
15. Závesný otvor
16. Ochranný kryt rezného kotúča

VAROVANIE: Tento výrobok sa dodáva kompletne zmontovaný. Ochranný kryt ruky sa počas používania nesmie nikdy odstrániť. Ak je poškodený, ihneď ho nechajte vymeniť kvalifikovaným servisným technikom.

VAROVANIE: Bezpečné používanie tohto výrobku vyžaduje pochopenie informácií o nástroji, pochopenie tohto návodu na obsluhu, ako aj znalosti o práci, ktorú sa pokúšate vykonať. Pred použitím tohto výrobku sa oboznámte so všetkými prevádzkovými funkciami a bezpečnostnými pravidlami.

OBSLUHA

VAROVANIE: Nedovoľte, aby ste sa po zoznamení s týmto výrobkom stali neopatrnými. Zapamätajte si, že zlomok sekundy neopatrnosti postačuje na spôsobenie vážneho poranenia.

VAROVANIE: Vždy používajte ochranu zraku s bočnými ochrannými štítmí spolu s ochranou sluchu. Ak tak neurobíte, môže dôjsť k vymršteniu predmetov do očí a iným možným vážnym zraneniam.

VAROVANIE: Aby sa zabránilo náhodnému spusteniu, ktoré by mohlo viesť k vážnemu zraneniu, vždy vyberte batériu z nástroja pri montáži dielov, vykonávaní úprav, čistení, alebo keď sa nepoužíva.

VAROVANIE: Nepoužívajte žiadne prídavné zariadenia alebo príslušenstvo, ktoré nie je odporúčané spoločnosťou EGO™. Používanie prídavných zariadení alebo príslušenstva, ktoré nie sú odporúčané, môže viesť k vážnemu zraneniu.

Pred každým použitím skontrolujte celý výrobok na poškodené, chýbajúce alebo uvoľnené diely, ako sú

skrutky, matice, uzávery atď. Utiahnite všetky upevňovacie prvky a uzávery a nepoužívajte tento výrobok, kým nie sú vymenené všetky chýbajúce alebo poškodené diely.

POUŽITIE

HT2410E: Tento výrobok môžete použiť na strihanie živých plotov, krovia a kríkov s priemerom vetiev menším ako Ø26 mm (HT2410E) / Ø 25 mm (HT2000E).

POZNÁMKA: Nástroj sa musí používať len na predpísané účely. Každé iné použitie sa považuje za prípad zneužitia.

INŠTALÁCIA / VYBRATIE AKUMULÁTORA

Používajte iba s akumulátormi a nabíjačkami, ktoré sú uvedené na obr. A2.

Nabíte pred prvým použitím.

Inštalácia (obr. B)

Zarovnajte výčnelky na batérii s montážnymi drážkami a zatlačte akumulátor nadol, kým nebudete počuť „cvaknutie“.

Demontáž (obr. C)

Stlačte tlačidlo pre uvoľnenie batérie a vytiahnite ju von.

VAROVANIE: Vždy majte na pamäti umiestnenie vašich nôh, polohu detí, či zvierat pri stlačení tlačidla pre uvoľnenie batérie. Mohlo by dôjsť k vážnemu zraneniu v prípade vypadnutia akumulátora. NIKDY nevyberajte batériu vo vysokej polohe.

DRŽANIE NOŽNÍC NA ŽIVÝ PLOT (obr. D, E a F)

Prístroj má prednú a zadnú rukoväť. S listou smerom od seba držte prístroj na oboch rukovätiach. Páčkový spínač na prednej rukoväti môže byť aktivovaný na ktorejkoľvek z troch strán a rukoväť poskytuje veľa možností pre pohodlné uchopenie pri rezaní.

VAROVANIE: Vždy majte obe ruky na rukovätiach nožníc na živý plot. Nikdy nepridržiavajte kríky s jednou rukou, pričom druhou rukou by ste ovládali nožnice na živý plot. Nerešpektovanie tohto upozornenia môže viesť k vážnemu zraneniu.

SPUSTENIE / ZASTAVENIE NOŽNÍC NA ŽIVÉ PLOTY

Pred uvedením do prevádzky zložte chránič a držte nožnice obomi rukami, pričom jednu ruku majte na zadnej rukoväti a druhú na prednej rukoväti. Potom si skontrolujte vyvážené postavenie, vzpriamený postoj a správnu rezáciu vzdialenosť.

Spustenie

1. Nainštalujte akumulátor.
2. Stlačte a podržte páčkový spínač na prednej rukoväti jednou rukou.
3. Stlačte a podržte zaistovacie tlačidlo palcom druhej ruky a stlačte zadnú páčku spínača prstami, aby ste zapli nožnice na živý plot. Uvoľnite zaistovacie tlačidlo a stále držte spínač pre pokračovanie v činnosti.

Zastavenie

Dajte nožnice na živý plot mimo oblasť rezania a uvoľnite zadný páčkový spínač pre zastavenie nožníc na živý plot.

VAROVANIE: Počas pracovných prestávok a po ukončení práce vždy vyberte akumulátor z nožníc na živý plot.

POUŽÍVANIE NOŽNÍC NA ŽIVÉ PLOTY

VAROVANIE: Ak sa čepel zasekne na akomkoľvek elektrickom kábli alebo vedení, **NEDOTÝKAJTE SA ČEPELE! MÔŽE BYŤ POD NAPÄTÍM A BYŤ VEĽMI NEBEZPEČNÁ.** Držte ďalej nožnice na živý plot za izolovanú zadnú rukoväť alebo ich bezpečným spôsobom položte dole a smerom od vás. Pred pokusom o uvoľnenie čepely z vedenia alebo kábla odpojte elektrické napájanie poškodeného vedenia alebo kábla. Nerešpektovanie tohto upozornenia môže viesť k vážnemu zraneniu alebo smrti.

VAROVANIE: Neorezávajte príliš veľa materiálu naraz alebo príliš husté krovie. Môže to spôsobiť spomalenie a uviaznutie čepelí, čím sa zníži výkonnosť rezania.

POZNÁMKA: Nožnice sa používajú na odrezanie stoniek s priemerom menším ako (26 mm).

POZNÁMKA: Pre mladý nárast je vhodný pohyb ako pri širokom zemetaní, ktoré privádza vetvičky priamo do reznej čepely. Pre starší nárast je dobrý pohyb ako pri rezaní, ktoré orezáva silnejšie stonky. Na prvotné orezanie veľkých vetiev je vhodná ručná alebo prerézavacia píla.

Horné orezávanie

Použite široký zemetací pohyb. Mierny sklon rezacej čepely smerom nadol v smere pohybu poskytuje najlepšie výsledky rezania. Pre lepši rezny efekt môžete tiež použiť špagát na vedenie nožníc vo vodorovnom smere, ako je znázornené na obr. G.

Bočné orezávanie

Pri strihaní bočnej strany živého plotu začnite dole a režte smerom hore ako na obr. H. Orežte bočnú stranu živého plotu tak, aby bol na vrchu mierne užší. Tento tvar vystaví väčšie množstvo živého plotu slnečnému žiareniu, čo vedie k rovnomernejšiemu rastu.

ÚDRŽBA

VAROVANIE: Pri servise používajte iba identické náhradné diely. Použitie iných častí môže vyvolať nebezpečenstvo, alebo spôsobiť poškodenie výrobku. Pre zaistenie bezpečnosti a spoľahlivosti je nevyhnutné, aby všetky opravy vykonával len kvalifikovaný servisný technik.

VAROVANIE: Pri čistení alebo vykonávaní údržby vždy vyberte batériu z výrobku, aby nedošlo k vážnemu zraneniu.

ČISTENIE

- Použite mäkkú kefu na odstránenie nečistôt zo všetkých vstupov vzduchu a z čepele.
- Ak chcete odstrániť živicu a iné lepidlo zvyšky, nasprejajte čepele rozpúšťadlom na živice. Spustite motor nakrátko tak, aby sa rozpúšťadlo rovnomerne rozptýlilo.
- Povrch poutierajte suchou handrou.

VAROVANIE: Nikdy nepoužívajte vodu na čistenie nožníc. Na čistenie plastových dielov nepoužívajte rozpúšťadlá. Väčšina plastov je náchylná na poškodenie z rôznych typov komerčných rozpúšťadiel. Použite čisté handry na odstránenie nečistôt, prachu, oleja, maziva, atď.

NAOSTRENIE REZACEJ ČEPELE

1. Zapnite a vypnite nožnice na živý plot, kým rezacia čepeľ a chránič nebudú mierne posunuté ako na obr. I. Vznikne tak medzera pre pilník medzi reznými zubami a ochrannými zubami.
2. Vyberte akumulátor z nožníc.
3. Upevnite zostavu čepele do zveráka a opilujte odhalenú reznú plochu každého čepeľového zuba. Odstráňte čo najmenej materiálu, ako je možné. Nezabudnite zachovať pôvodný uhol každého zuba pri ostrení.
4. Vyberte nožnice na živý plot zo zveráka; opäť zapnite a vypnite, aby ste odhalili nenaostrené okraje čepeľových zubov.
5. Vyberte akumulátor a zopakujte vyššie uvedení postup ostrenia.

POZNÁMKA: Nepoužívajte nožnice na živý plot, ak sú rezné čepele tupé alebo poškodené. Môže to spôsobiť preťaženie a neuspokojivé výsledky rezania.

MAZANIE ČEPELE (obr. J)

Pre dosiahnutie čo najlepšej prevádzky a dlhšej životnosti čepele namažte nožnice na živý plot s ľahkým strojným olejom pred a po každom použití.

Vyberte akumulátor a položte nožnice na rovný povrch. Olej nanášajte pozdĺž okraja hornej čepele.

POZNÁMKA: Pri dlhšom nepretržitom používaní pribežne olejujte čepeľ.

VAROVANIE: Neolejujte, ak sú nožnice v prevádzke.

PREPRAVA A SKLADOVANIE

- Pred uskladnením alebo prepravou nožníc na živý plot vždy nasadte kryt lišty. Buďte opatrní, aby nedošlo ku kontaktu s ostrými zubami čepele.
- Pred skladovaním dôkladne vyčistite nožnice na živý plot.
- Nožnice na živý plot skladujte v interiéri, na suchom mieste, ktoré je neprístupné deťom.
- Chráňte pred agresívnymi látkami, ako sú záhradné chemikálie a rozmrazovacie soli.

VAROVANIE: Čepele sú ostré. Pri manipulácii so zostavou čepele používajte protišmykové, odolné ochranné rukavice. Nedávajte ruky alebo prsty medzi čepele, alebo na žiadne miesto, kde by mohli byť zovreté alebo porezané. NIKDY sa nedotýkajte čepele, alebo neopravujte prístroj s vloženým akumulátorom.

Ochrana životného prostredia



Nevyhadzujte elektrické zariadenia, nabíjačku a použité akumulátory do domového odpadu! Tento výrobok odnesť na autorizované recyklačné miesto a poskytnite ho na separovaný zber. Elektrické náradie sa musí odovzdať do ekologicky vhodného recyklačného zariadenia.

ODSTRAŇOVANIE PROBLÉMOV

PROBLÉM	PRÍČINA	RIEŠENIE
NOŽNICE NA ŽIVÝ PLOT NEFUNGUJÚ.	<ul style="list-style-type: none"> ■ Akumulátor nie je pripojený do nožníc na živý plot. ■ Žiadny elektrický kontakt medzi nožnicami a batériou ■ Akumulátor je vybitý. ■ Akumulátor je príliš horúci. ■ Nožnice na živý plot sú prehriate. ■ Predný a zadný páčkový spínač nie sú súčasne stlačené. ■ Čepeľ sa zasekla. 	<ul style="list-style-type: none"> ■ Pripojte akumulátor do nožníc na živý plot. ■ Vyberte batériu, skontrolujte kontakty a nainštalujte akumulátor. ■ Nabite akumulátor. ■ Vyberte akumulátor z náradia a nechajte ho vychladnúť, kým teplota neklesne pod 67 ° C. ■ Pustite obidva páčkové spínače; nechajte nožnice vychladnúť na normálnu teplotu. ■ Najskôr stlačte zaistovacie tlačidlo a súčasne stlačte páčkové spínače na prednej a zadnej rukoväti. ■ Vyberte akumulátor z nástroja, opatrne odstráňte prekážku, potom vložte akumulátor a reštartujte nástroj.
NADMERNÉ VIBRÁCIE ALEBO HLUK.	<ul style="list-style-type: none"> ■ Suché alebo skorodované čepele. ■ Čepele alebo podpera čepele sú ohnuté. ■ Ohnuté alebo poškodené zuby. ■ Uvoľnené skrutky čepeľí. 	<ul style="list-style-type: none"> ■ Namazte čepele podľa postupu „MAZANIE ČEPELE“ v tomto návode. ■ Vymeňte za novú čepeľ alebo podperu. Informujte sa v servisnom stredisku EGO ohľadne výmeny čepeľí a podpery, podrobnosti nájdete. ■ Vymeňte za novú čepeľ. Informujte sa v servisnom stredisku EGO ohľadne výmeny čepele, podrobnosti nájdete. ■ Uťahnite čepeľové skrutky. Skrutky utiahnite pomocou kľúča v smere hodinových ručičiek.

SK

ZÁRUKA

ZÁRUČNÁ POLITIKA EGO

Navštívte webové stránky egopowerplus.com pre úplné podmienky záručnej politiky spoločnosti EGO.

OLVASSA EL AZ ÖSSZES UTASÍTÁST!



OLVASSA EL A HASZNÁLATI ÚTMUTATÓT

⚠ FIGYELMEZTETÉS: Maradék kockázat! Az elektronikus készülékekkel, például pacemakerrel élő emberek a termék használata előtt kérjék ki az orvos véleményét. Az elektromos felszerelésnek a pacemakerhez közel való működtetése interferenciát vagy meghibásodást okozhat a pacemakerben.

⚠ FIGYELMEZTETÉS: A biztonságosság és megbízhatóság biztosítása érdekében minden javítást és cserét szakképzett szerviztechnikus hajtson végre.

BIZTONSÁGI SZIMBÓLUMOK

⚠ FIGYELMEZTETES: Bármely elektromos kéziszerszám működtetése azzal járhat, hogy idegen tárgyak szembe kerülnek, ami súlyos szemsérüléseket okozhat. Az elektromos kéziszerszám működtetése előtt mindig vegyen fel oldalsó védőlemezzel ellátott védőszemüveget és a teljes védőárlarcot, ha szükséges. Javasoljuk, hogy viseljen Wide Vision Safety Mask-ot (védőárlarc) a védőszemüveg fölött vagy standard védőszemüveget oldalsó védőlemezzel.



Biztonsági figyelmeztetés



A sérülések kockázatának csökkentése érdekében a használatnál el kell olvasnia a használati útmutatót.



Ne használja esőben, és ne hagyja kültéren, ha esik az eső.



Garantált hangteljesítményszint. Környezetre ható zajkibocsátás a Európai Közösség irányelve szerint.

HU



A termék megfelel az érvényes EK irányelveknek.



Az elhasznált elektromos termékek nem helyezhetők a háztartási hulladékok közé. Vigye hivatalos újrahasznosító telephelyre.



Mindig viseljen védőszemüveget vagy oldalsó védőlemezzel ellátott védőszemüveget és teljes védőárlarcot a termék működtetése közben.



Soha ne próbálja meg egy kézzel működtetni a kéziszerszámot. Amennyiben elveszíti az uralmát a kéziszerszám felett, az súlyos vagy halálos sérülést eredményezhet. A vágási sérülések veszélyének csökkentése érdekében tartsa távol a kezét és lábát a vágóegységtől. Soha ne érjen a vágóegységhez kézzel vagy más testrészével.



Penge hossza



A penge max. vágási kapacitása

V Feszültség

— — — Egyenáram

.../min Percenként

mm Milliméter

cm Centiméter

n_0 Üresjárat fordulatszám

MŰSZAKI ADATOK

Modell	HT2410E	HT2000E
Feszültség	56 V ---	56 V ---
Üresjárat fordulat/szám	1500/perc	1500/perc
Kés hosszúsága	61 cm	51 cm
Vágási kapacitás	26 mm	25 mm
Súly (akkumulátoregység)	3,1 kg	2,9 kg
Javasolt működési hőmérséklet	0°C-40°C	0°C-40°C
Javasolt tárolási hőmérséklet	-20°C-70°C	-20°C-70°C
Mért hangteljesítményszint L_{WA}	94,47 dB(A) K=1,5 dB(A)	91,24 dB(A) K=1,03 dB(A)
Hangnyomás szintje L_{PA} kezelő pozíció	83,9 dB(A) K=3,0 dB(A)	80,62 dB(A) K=3,0 dB(A)
Mért hangteljesítményszint L_{WA} (a 2000/14/EK szerint)	96 dB(A)	92 dB(A)
Vibráció a_h	Elülső fogantyú	1,8 m/s ² K=1,5 m/s ²
	Hátsó fogantyú	1,7 m/s ² K=1,5 m/s ²

- A névleges rezgési összérték mérése standard bevizsgálási módszerrel történt, és használatával a szerszámok egymással összehasonlíthatók.
- A névleges rezgési érték a kockázat előzetes felméréséhez is felhasználható.

MEGJEGYZÉS: A rezgés kibocsátás az elektromos szerszám aktuális használata közben eltérhet attól a névleges értéktől, amellyel a szerszámot használják: a kezelő védelme érdekében a használónak kesztyűt és hallásvédőt kell használnia működtetés közben.

C SOMAGOLÁS TARTALMA (A1. ÁBRA)

LEÍRÁS

ISMERJE MEG A SÖVÉNYNYÍRÓT (A1. ábra)

1. Függesztett rúd
2. Pengevég-védő
3. Penge
4. Kézvédő
5. Elülső fogantyú
6. Kioldó gomb

7. Hátsó fogantyú
8. Akkumulátor kioldógomb
9. Zár
10. Elektromos csatlakozások
11. Akkumulátor foglalat
12. Akkumulátor-kiadás
13. Hátsó kapcsolókar
14. Elülső kapcsolókar
15. Függesztett rúd
16. Pengevédő

⚠ FIGYELMEZTETÉS: Ez a termék teljesen összeszerelve kerül kiszállításra. A kézvédőt tilos eltávolítani használat során. Ha megsérül, haladéktalanul cseréltesse ki képzett szakemberrel.

⚠ FIGYELMEZTETÉS: A termék biztonságos használatához meg kell értenie a szerszámon és a használati útmutatóban lévő információkat, valamint ismernie kell azt a munkát, amelyet el akar végezni. A termék használata előtt ismerje meg a működési funkciókat és a biztonsági szabályokat.

MŰKÖDTETÉS

⚠ FIGYELMEZTETÉS: Ne hagyja, hogy a termékkel szerzett jártassága miatt óvatlanná váljon. Emlékezzon arra, hogy a másodperc töredéke alatt történő óvatlanság súlyos sérülést okozhat.

⚠ FIGYELMEZTETÉS: Mindig viseljen oldalsó védőlemezrel ellátott védőszemüveget. Amennyiben nem ezt teszi, tárgyak repülhetnek a szemébe, és más komoly sérülések keletkezhetnek.

⚠ FIGYELMEZTETÉS: A véletlenszerű indítás elkerülése érdekében, amely súlyos személyi sérülést okozhat, mindig vegye ki az akkumulátoregységet a szerszámból, amikor összeszereli az alkatrészeket, beállításokat, tisztítást végez, vagy amikor nem használja.

⚠ FIGYELMEZTETÉS: Ne használjon az EGO™ által nem javasolt tartozékokat. A nem javasolt tartozékok használata súlyos személyes sérülést okozhat.

Minden használat előtt ellenőrizze a terméket, hogy nem sérült-e, nincsenek-e hiányzó vagy laza alkatrészek, például csavarok, anyák, alátétek, sapkák stb. Biztonságosan húzzon meg minden rögzítőt és kupakot, és ne működtesse a terméket, amíg minden hiányzó vagy sérült alkatrész ki nincs cserélve.

HU

ALKALMAZÁS

HT2410E: A terméket $\varnothing 26\text{mm}$ (HT2410E) / $\varnothing 25\text{mm}$ -nél (HT2000E) kisebb átmérőjű ágakkal rendelkező sövények és bokrok nyírásához használhatja.

MEGJEGYZÉS: A szerszámot csak az előírt célokra használja. Bármilyen más használat helytelen használatnak minősül.

AZ AKKUMULÁTOREGYSÉG FELHELYEZÉSE/ KIVÉTELE

Csak az A2 ábrán felsorolt akkumulátoregységeket és töltőket használja.

Az első használat előtt töltsse fel.

Felhelyezés (B ábra)

Illesze az akkumulátor végét az akkumulátorban lévő szerelőnyíláshoz, és nyomja le az akkumulátoregységet, amíg kattantást nem hall.

Kivétel (C ábra)

Oldja ki az akkumulátor kioldógombot, és húzza ki az akkumulátoregységet.

⚠ FIGYELMEZTETÉS: Mindig ügyeljen a lába alatti területre, gyermekekre vagy kis állatokra, amikor megnyomja az akkumulátor-kioldógombot. Súlyos sérülést okozhat, ha az akkumulátoregység kiesik. SOHA ne vegye ki az akkumulátoregységet magas helyen.

A SÖVÉNYNYÍRÓ TARTÁSA (D, E, F ábra)

Az egység előlő és hátsó fogantyúval is rendelkezik. Öntől ellentétes irányban tartott pengével tartsa az egységet mindkét fogantyúval. Az előlő fogantyún lévő kapcsolókat a három oldal bármelyikén aktiválható, ezáltal számos választási lehetőséget biztosítva a kényelmes működtetéshez.

⚠ FIGYELMEZTETÉS: A sövénynyíró fogantyúit mindig két kézzel tartsa. Soha ne tartsa a sövényt az egyik kezével, amíg a sövénynyíró a másik kezével működteti. Amennyiben ezt a figyelmeztetést nem veszi figyelembe, az súlyos sérülést okozhat.

A SÖVÉNYNYÍRÓ INDÍTÁSA/LEÁLLÍTÁSA

Működtetés előtt vegye le a védőlemezt, és tartsa a sövénynyíró két kézzel, az egyik kezével a hátsó fogantyút, a másikkal az előlő fogantyút. Majd ügyeljen a kiegyensúlyozott testhelyzetre, egyenes tartásra és megfelelő vágási távolságra.

Indítás

1. Helyezze be az akkumulátoregységet.
2. Nyomja meg és tartsa a kapcsolókat az előlő fogantyún az egyik kezével.
3. Nyomja meg és tartsa úgy a kioldó gombot a másik keze hüvelykujjával, majd szorítsa a hátsó kapcsolókat a sövénynyíró beindításához. Oldja ki a kikapcsoló gombot, és nyomja tovább a triggert a folyamatos működéshez.

Leállítás

Távolítsa el a sövénynyíró a vágási területtől és oldja ki a hátsó kapcsolókat a sövénynyíró leállításához.

⚠ FIGYELMEZTETÉS: Mindig vegye ki az akkumulátoregységet a sövénynyíróból, ha megszakítja a munkát, és a munka elvégzése után.

SÖVÉNYNYÍRÓ HASZNÁLATA

⚠ FIGYELMEZTETÉS: Ha a penge elektromos vezetékbe akad, AKKOR NE ÉRJEN A PENGÉHEZ! ELEKTROMOS ÁRAM ALÁ KERÜLHET, ÉS IGEN VESZÉLYES. A sövénynyíró továbbra is a szigetelt hátsó fogantyúnál tartsa, vagy Öntől távol biztonságosan tegye le. Mielőtt megpróbálja kiszabadítani a pengét a vezetékéből, válassza le az elektromos készüléket a sérült vezetékről. Amennyiben ezt a figyelmeztetést nem veszi figyelembe, az súlyos személyes sérülést vagy esetleg halált okozhat.

⚠ FIGYELMEZTETÉS: Egyszerre ne vágjon túl sokat vagy sűrű bozótot. Ez által a pengék megakadhatnak, vagy lelassulhatnak, így csökkentve a vágási kapacitást.

MEGJEGYZÉS: A sövénynyíró 26mm-nél vékonyabb száraz vágásához használja.

MEGJEGYZÉS: Az új kinővények vágásánál széles mozdulatokat végezzen, hogy a száraz közvetlenül a vágópengére essenek. A régebbi kinővények vágásánál a fűrészelő mozgás alkalmas a vastagabb szárazokhoz. Javasoljuk, hogy először a nagy szárazakat vágja le nem motoros kézi fűrészelő vagy ágnyesővel.

Vágás felül

Végezzen széles mozdulatokat. Ha a vágópengéket enyhén megdönti a mozgás irányába, akkor lesz a vágás eredménye a legjobb. A jobb vágási hatás érdekében használhat zsinórt a sövény szintjének vezérfonalaként a D ábrán látható módon.

Vágás oldalt

Ha oldalról vágja a sövényt, alulról felfelé haladjon, a H ábrán látható módon. Úgy vágja a sövényt, hogy az felfelé enyhén keskenyedjen. Ezzel a formával a sövény nagyobb felületét érheti napfény, így egyenletesebb növekedés érhető el.

KARBANTARTÁS

▲ FIGYELMEZTETÉS: Javitáskor használjon azonos pótalkatrészeket. Más alkatrészek használata veszélyt okozhat, vagy megrongálhatja a terméket. A biztonságosság és megbízhatóság biztosítása érdekében minden javítást szakképzett szerviztechnikus hajtson végre.

▲ FIGYELMEZTETÉS: A súlyos személyi sérülések elkerülése érdekében mindig vegye ki az akkumulátoregységet a termékből tisztítás vagy karbantartás alatt.

TISZTÍTÁS

- Használjon puha keféet a szennyeződések levegő bemeneti nyílások és a pengéről való eltávolításához.
- A ganta és más ragadós maradvány eltávolításához fújja be a pengéket gantaoldó szerrel. Rövid ideig indítsa be a motort, hogy az oldószer egyenletesen el legyen osztva.
- A felületet száraz ruhával törölje át.

▲ FIGYELMEZTETÉS: Soha ne használjon vizet a sövénynyíró tisztításához. A műanyag alkatrészek tisztításához ne használjon oldószereket. A legtöbb műanyag a vegyi oldószerek által deformálódás általi sérülésnek van kitéve. Használjon tiszta ruhát a szennyeződés, por, olaj, zsír stb. eltávolításához.

A VÁGÓPENGE ÉLEZÉSE

1. Addig kapcsolgassa be és ki a sövénynyíró, amíg a penge és a védőburkolat kissé eltörlődik, az I ábrán látható módon. Ez lehetővé teszi a vágófog és a védőfog közötti tisztítást a reszeléssel.
2. Vegye ki az akkumulátoregységet a sövénynyíróból.
3. Fogja be a penge-egységet egy satuba, és egy reszelővel élezze meg az egyes fogak hozzáférhető vágófelületeit. A lehető legkevesebb anyagot reszelje le. Bizonyosodjon meg róla, hogy reszelés közben mindegyik fog eredeti szögben áll.
4. Távolítsa el a sövénynyíró a satuból, indítsa újra majd állítsa le, hogy előkerüljenek a penge még nem lereszelt fogai.

5. Távolítsa el az akkumulátoregységet és ismétlje meg a fent leírt élezési folyamatot.

MEGJEGYZÉS: Ne működtesse a sövénynyíró tampa vagy sérült vágópengével. Ez túlterhelést okozhat, és a vágási eredmény nem lesz megfelelő.

A PENGE KENÉSE (J ábra)

A penge legjobb működése és hosszabb élettartama érdekében minden használat előtt és után kenje be a sövénynyíró pengéjét könnyű gépolajjal.

Vegye ki az akkumulátoregységet, és helyezze a sövénynyíró sima felületre. Vigye fel az olajat a penge tetejére.

MEGJEGYZÉS: A hosszan tartó használat érdekében vágási művelet közben is olajozza be.

▲ FIGYELMEZTETÉS: Ne olajozza be, amikor a sövénynyíró működik.

SZÁLLÍTÁS ÉS TÁROLÁS

- Mindig tegye fel a védőlemezt a pengére, mielőtt elrakja vagy szállítja a sövénynyíró. Legyen elővigyázatos, ne érjen a penge éles fogaihoz.
- Tárolás előtt alaposan tisztítsa meg a sövénynyíró.
- A sövénynyíró beltéren, olyan száraz helyen tárolja, amelyhez gyermekek nem tudnak hozzáférni.
- Tartsa távol maró hatású szerekől, például kerti vegyszerektől, és jégmentesítő sótól.

▲ FIGYELMEZTETÉS: A pengék élesek. A vágószerszám kezelésénél viseljen csúszásgátló, nagy teherbírású védőkesztyűt. Ne tegye a kezét vagy ujjait a pengék közé, vagy olyan pozícióba, ahol beszorulhat vagy megvághatja. SOHA NE érjen a pengékhez, és ne ellenőrizze az egységet behelyezett akkumulátoregységgel.

Varovanje okolja



Ne dobja az elektromos felszerelést, az elhasznált akkumulátort és a töltőt a háztartási hulladékok közé! Vigye hivatalos újrahasznosító telephelyre, és tegye hozzáférhetővé a szelektív gyűjtéshez. Az elektromos szerszámokat környezetbarát újrahasznosító üzembe kell vinni.

HIBAELHÁRÍTÁS

PROBLÉMA	A PROBLÉMA OKA	MEGOLDÁS
A SÖVÉNYNYÍRÓ NEM MŰKÖDIK.	<ul style="list-style-type: none"> ■ Az akkumulátoregység nincs csatlakoztatva a sövénynyíróba. ■ Nincs elektromos kapcsolat a sövénynyíró és az akkumulátor között. ■ Az akkumulátoregység lemerült. ■ Az akkumulátoregység túl forró. ■ A sövénynyíró túl forró. ■ Az előlső és hátsó kapcsolókarokat nem egyidejűleg nyomják le. ■ A penge beakadt. 	<ul style="list-style-type: none"> ■ Csatlakoztassa az akkumulátoregységet a sövénynyíróhoz. ■ Vegye ki az akkumulátoregységet, ellenőrizze a csatlakozást, és helyezze vissza az akkumulátoregységet. ■ Töltse fel az akkumulátoregységet. ■ Vegye ki az akkumulátoregységet, hagyja kihűlni informatika 67 °C alatti hőmérsékletre. ■ Oldja ki a két kapcsolókart; hagyja lehűlni a sövénynyíró normal hőmérsékletre. ■ Először nyomja meg a kioldó gombot, majd egyszerre az előlső és hátsó fogantyú kapcsolókarjait. ■ Vegye ki az akkumulátoregységet a szerszámból, óvatosan vegye ki az akadályt, majd helyezze vissza az akkumulátoregységet a szerszámba.
RENDKÍVÜL MAGAS VIBRÁCIÓ VAGY ZAJ.	<ul style="list-style-type: none"> ■ Száraz vagy rozsdás pengék. ■ A pengék vagy pengetartó elgörbült. ■ Elgörbült vagy sérült fog. ■ Laza penge csavarok. 	<ul style="list-style-type: none"> ■ A pengék kenéséhez nézze meg a „A PENGE KENÉSE” fejezetet a jelene használati útmutató. ■ Cserélje ki új pengére vagy tartóra. Forduljon az EGO szervizközponthoz a penge vagy tartó kicserélése érdekében. ■ Cserélje ki egy új pengére. Forduljon az EGO szervizközponthoz a penge kicserélése érdekében. ■ Húzza meg a penge csavarjait. Meghúzáshoz csavarulccsal fordítsa el a csavart az óramutató járásával megegyező irányba.

HU

GARANCIA

EGO GARANCIÁLIS FELTÉTELEK

Kérjük, látogasson el az egopowerplus.com oldalra, ahol megtalálja a részletes EGO garanciális feltételeket.

CITIȚI TOATE INSTRUCȚIUNILE!



CITIȚI MANUALUL DE INSTRUCȚIUNI

⚠️ AVERTISMENT: Riscuri reziduale! Persoanele cu dispozitive electronice precum stimulatoare cardiace ar trebui să se consulte cu medicul (mediciei) înainte de a utiliza acest produs. Funcționarea echipamentelor electrice în imediata apropiere a unui stimulator cardiac ar putea provoca interferențe sau defecțiuni ale stimulatorului cardiac.

⚠️ AVERTISMENT: Pentru siguranța și fiabilitatea produsului, toate reparațiile și înlocuirile de piese ar trebui efectuate de către un tehnician de service autorizat.

SIMBOLURI PRIVIND SIGURANȚA

⚠️ AVERTISMENT: Exploatarea oricăror scule electrice se poate solda cu ricoșarea de obiecte străine în ochii dumneavoastră, ceea ce se poate solda cu vătămarea gravă a ochilor. Înainte de a începe să utilizați scula electrică, echipați-vă întotdeauna cu ochelari de protecție cu apărători laterale și vizieră pentru față, atunci când este nevoie. Vă recomandăm să purtați o vizieră lată de protecție peste ochelarii de vedere sau ochelari de protecție standard cu apărători laterale.



Alertă privind siguranța



Pentru a reduce riscul de accidentări, utilizatorul trebuie să citească manualul de instrucțiuni.



Nu utilizați acest produs în ploaie și nu-l lăsați în exterior în timp ce plouă.



Nivel de putere acustică garantat. Emisii sonore în mediul înconjurător conform Directivei comunitare europene.



Acest produs este în conformitate cu directivele europene aplicabile.



Deșeurile produselor electrice nu trebuie să fie eliminate împreună cu deșeurile menajere. Predați-le unui punct de reciclare autorizat.



Purtați întotdeauna ochelari de protecție sau ochelari de protecție cu apărători laterale și o vizieră facială completă când utilizați acest produs.



Nu încercați să utilizați scula electrică cu o singură mână. Pierderea controlului asupra sculei electrice se poate solda cu vătămare gravă sau deces. Pentru a reduce riscul de răni cauzate de tăieturi, țineți-vă la distanță mâinile și picioarele de scula de tăiere. Nu atingeți niciodată o sculă de tăiere în mișcare cu mâna sau cu orice altă parte a corpului dumneavoastră.



Lungimea lamei



Capacitate maximă de tăiere a lamei

V Tensiune

Curent continuu

.../min Pe minut

mm Milimetru

cm Centimetru

n_0 Turație de mers în gol

RO

SPECIFICAȚII

Model	HT2410E	HT2000E	
Voltaj	56 V $\overline{---}$	56 V $\overline{---}$	
Turație la mers în gol	1500 /min	1500 /min	
Lungime lamă	61 cm	51 cm	
Capacitate de tăiere	26 mm	25 mm	
Greutate (fără set de acumulatori)	3,1 kg	2,9 kg	
Temperatură de funcționare recomandată	0°C-40°C	0°C-40°C	
Temperatură de depozitare recomandată	-20°C-70°C	-20°C-70°C	
Nivel de putere sonoră măsurat L_{WA}	94,47 dB(A) K=1,5 dB(A)	91,24 dB(A) K=1,03 dB(A)	
Nivel de presiune sonoră la nivelul operatorului L_{PA}	83,9 dB(A) K=3,0 dB(A)	80,62 dB(A) K=3,0 dB(A)	
Guaranteed sound power level L_{WA} (according to 2000/14/EC)	96 dB(A)	92 dB(A)	
Vibrații a_n	Mâner frontal	1,8 m/s ² K=1,5 m/s ²	2,195 m/s ² K=1,5 m/s ²
	Mâner posterior	1,7 m/s ² K=1,5 m/s ²	1,836 m/s ² K=1,5 m/s ²

- Valoarea totală declarată a vibrațiilor a fost măsurată în conformitate cu o metodă standard de testare și poate fi utilizată pentru compararea sculelor între ele;
- Valoarea totală declarată poate fi utilizată în evaluarea preliminară a expunerii.

OBSERVAȚIE: Vibrațiile emise în timpul utilizării efective a sculei electrice pot diferi față de valoarea celor declarate pentru scula utilizată; Pentru protejerea operatorului, utilizatorul trebuie să poarte mănuși și protecții auditive în timpul utilizării efective a produsului.

CONȚINUTUL AMBALAJULUI (FIG. A1)

DESCRIERE

DESCRIEREA TRIMMERULUI (Fig. A1)

- Ancoșă
- Protector de vârf
- Lamă
- Apărătoare mâini

- Mâner frontal
- Buton de blocare
- Mâner posterior
- Buton de detașare acumulator
- Încuietoare
- Contacte electrice
- Fantă de instalat acumulatorul
- Ejectare acumulator
- Manetă întrerupătoare posterioară
- Manetă întrerupătoare frontală
- Ancoșă
- Apărătoarea pânzei de ferăstrău

AVERTISMENT: Acest produs a fost livrat complet asamblat. Apărătoare mâinii nu trebuie niciodată îndepărtată în timpul utilizării. În cazul avarierii, aceasta trebuie înlocuită imediat de către un tehnician calificat pentru reparații.

AVERTISMENT: Utilizarea acestui produs în condiții de siguranță necesită înțelegerea informațiilor inscripționate pe mașină și incluse în acest manual de utilizare, precum și cunoașterea proiectului pe care încercați să îl desfășurați. Înainte de a utiliza aparatul, familiarizați-vă cu toate caracteristicile de utilizare și cerințele privind siguranța.

UTILIZAREA

AVERTISMENT: Nu permiteți ca familiarizarea cu acest produs să vă facă neglijent. Amintiți-vă că o fracțiune de secundă de neglijență este suficientă pentru a provoca vătămări grave.

AVERTISMENT: Purtați întotdeauna ochelari de protecție cu apărători laterale. Nerespectarea acestei instrucțiuni ar putea avea ca rezultat proiectarea în ochi a obiectelor și alte posibile vătămări grave.

AVERTISMENT: Pentru a preveni pornirea accidentală care ar putea cauza vătămări personale grave, întotdeauna scoateți setul de acumulatori din sculă când asamblați componente, efectuați reglaje sau când produsul nu este utilizat.

AVERTISMENT: Nu folosiți accesorii sau componente nerecomandate de EGO™. Utilizarea de accesorii sau componente nerecomandate se poate solda cu vătămări grave.

Înainte de fiecare utilizare, inspectați întregul produs pentru depistarea de piese deteriorate, piese care lipsesc sau care sunt slăbite, precum șuruburi, piulițe, bolțuri, capace etc. Strângeți bine toate elementele de fixare și capacele și nu puneți în funcțiune acest produs până când nu se înlocuiesc toate piesele deteriorate sau lipsă.

SCOPUL UTILIZĂRII

HT2410E: Puteți utiliza acest produs pentru tunderea gardurilor vii, a tufişurilor și arbuștilor ale căror crengi au un diametru mai mic de $\varnothing 26\text{mm}$ (HT2410E) / $\varnothing 25\text{mm}$ (HT2000E).

OBSERVAȚIE: Scula trebuie utilizată numai în scopul pentru care a fost proiectată. Orice altă utilizare este considerată a fi caz de utilizare necorespunzătoare.

INSTALAREA/ÎNDEPĂRTAREA SETULUI DE ACUMULATORI

Utilizați numai seturile de acumulatori și încărcătorii din fig. A2.

Încărcați acumulatorul înainte de prima utilizare.

Instalarea (Fig. B)

Aliniați nervurile de pe acumulator cu fantele de instalare și apăsați în jos setul de acumulatori până la auzul unui clic.

Îndepărtarea (Fig. C)

Apăsați butonul de detașare al setului de acumulatori și scoateți setul de acumulatori.

⚠ AVERTISMENT: Întotdeauna acordați atenție amplasamentului picioarelor dumneavoastră, a copiilor sau animalelor de companie când apăsați butonul de detașare al acumulatorului. În cazul căderii setului de acumulatori, pot rezulta răni grave. Nu detașați NICIODATĂ setul de acumulatori când vă aflați la înălțime.

APUCAREA TRIMMERULUI DE GARD VIU

(Fig. D, E & F)

Unitatea este echipată atât cu un mâner frontal cât și cu unul posterior. Cu lama direcționată în direcția opusă dumneavoastră, apucați unitatea cu ambele mâini. Maneta întrerupătoare de pe mânerul frontal poate fi acționată din trei direcții, oferindu-vă mai multe opțiuni pentru o apucare confortabilă când efectuați operații de tăiere.

⚠ AVERTISMENT: Întotdeauna păstrați-vă ambele mâini pe mânerul trimmerului de gard viu. Nu țineți niciodată arbuștii cu o mână și să operați trimmerul de gard viu cu cealaltă. Nerespectarea acestui avertisment se poate solda cu vătămări grave.

PORNIREA/OPRIREA TRIMMERULUI DE GARD VIU

Înainte de utilizare, îndepărtați apărătoarea lamei și apucați trimmerul cu ambele mâini, o mână pe mânerul posterior și cealaltă mână pe mânerul frontal. După care asigurați-vă că aveți o poziție echilibrată, stați vertical și la o distanță adecvată de tăiere.

Pornirea

1. Instalați setul de acumulatori.
2. Apăsați și mențineți apăsat maneta întrerupătoare de pe mânerul frontal cu o mână.
3. Apăsați și mențineți apăsat butonul de blocare cu degetul mare al celeilalte mâni, după care strângeți maneta posterioară cu degetele pentru a demara trimmerul. Eliberați butonul de siguranță și strângeți în continuare trăgaciul pentru funcționare continuă.

Oprirea

Îndepărtați trimmerul de tuns gardul viu dinspre zona de tăiere și eliberați maneta întrerupătoare posterioară pentru a opri trimmerul.

⚠ AVERTISMENT: Întotdeauna scoateți setul de acumulatori din trimmerul de gard viu în timpul pauzelor de lucru și după terminarea lucrării.

UTILIZAREA TRIMMERULUI DE GARD VIU

⚠ AVERTISMENT: În cazul blocării lamei într-un cablu electric sau fir, **NU ATINGEȚI LAMA! ACESTA POATE FI SUB TENSIUNE ELECTRICĂ ȘI PERICULOS**

Continuați să țineți trimmerul de gard viu de mânerul posterior izolat sau așezați-l pe jos și la distanță de dumneavoastră, într-un mod sigur. Deconectați serviciul electric la cablul sau firul avariat înainte de a încerca să eliberați lama din cablu sau din fir. Nerespectarea acestui avertisment se va solda cu vătămări grave sau chiar fatale.

⚠ AVERTISMENT: Evitați tunderea unei cantități prea mari de vegetale odată sau prin arbuști foarte deși. Acest lucru poate duce la blocarea lamelor și încetinirea acestora, reducând eficiența de tăiere.

OBSERVAȚIE: Trimmerul trebuie utilizat pentru tăierea tulpinilor cu grosimea mai mică de 26 mm.

OBSERVAȚIE: Pentru lăstăriș, este adecvată o mișcare de baleiere largă pentru tulpinile care ajung direct în lama de tăiere. Pentru ramuri mai vechi, o mișcare de coasere este potrivită pentru tunderea tulpinilor mai groase. Se recomandă utilizarea mai întâi a unui ferăstrău manual nemotorizat sau a unui ferăstrău de grădină pentru tăierea tulpinilor mari.

Tunsul vărfurilor

Utilizați o mișcare largă de baleiere. O înclinare ușoară în jos a lamelor de tăiere în direcția mișcării oferă cele mai bune rezultate de tăiere. Pentru un efect de tăiere cât mai bun, puteți utiliza și coarda pentru demarcarea înălțimii gardului viu, precum în figura G.

Tunsul lateral

Când tundeți laturile gardului viu, începeți a tăia de jos în sus conform ilustrațiilor din Fig. H. Tundeți partea laterală a gardului viu astfel încât să fie ușor mai îngustă în vârf. Această formă va expune o parte mai mare a tufișului la lumina soarelui, ducând la o creștere mai uniformă.

ÎNȚEȚINEREA

⚠️ AVERTISMENT: Când efectuați operații de service, utilizați doar piese de schimb identice. Utilizarea oricăror altor piese poate crea un pericol sau poate produce o deteriorare. Pentru siguranța și fiabilitatea produsului, toate reparațiile ar trebui efectuate de către un tehnician de service autorizat.

⚠️ AVERTISMENT: Pentru evitarea vătămarilor personale grave, îndepărtați întotdeauna setul de acumulatori din sculă când curățați sau efectuați orice operație de întreținere.

CURĂȚAREA

- Utilizați o perie moale pentru îndepărtarea reziduurilor din toate prizele de aer și de pe lama de tăiere.
- Pentru îndepărtarea bitumului sau a altor reziduuri lipicioase, pulverizați pe lame un solvent de rășină. Puneți motorul în funcțiune un timp scurt astfel încât solventul să fie distribuit uniform.
- Ștergeți suprafața cu o cârpă uscată.

⚠️ AVERTISMENT: Nu utilizați niciodată apă pentru curățarea trimmerului. Evitați utilizarea solventilor când curățați piese din plastic. Majoritatea pieselor din plastic sunt susceptibile să se deterioreze de la diverse tipuri de solventi comerciali. Utilizați cârpe curate pentru a îndepărta murdăria, praful, uleiul, vaselina etc.

ASCUȚIREA LAMEI DE TĂIERE

1. Porniți și opriți trimmerul până când lama de tăiere și apărătoarea sunt ușor decalate, conform ilustrațiilor din Fig. I. Astfel spațiul dintre dinții de tăiere și dinții apărătorii va fi mai mare, permițând pilirea.
2. Îndepărtați setul de acumulatori din trimmer.
3. Prindeți asamblul lamei într-o menghină și piliți suprafața de tăiere expusă a fiecărui dinte a lamei. Îndepărtați cât mai puțin material posibil. Asigurați-vă că păstrați unghiul original al fiecărui dinte când piliți.

4. Scoateți trimmerul din menghină; reporniți-l și opriți-l pentru a-i expune muchiile neascuțite ai dinților lamei.
5. Îndepărtați setul de acumulatori și repetați procedura de ascuțire de mai sus.

OBSERVAȚIE: Nu utilizați trimmerul de gard viu dacă are lame tocite sau avariate. Acest lucru poate duce la suprasolicitare și va furniza rezultate de tăiere nesatisfăcătoare.

LUBRIFIEREA LAMEI (Fig. J)

Pentru funcționare cât mai bună și o durată de viață mai lungă a lamei, lubrifiați lama trimmerului cu ulei slab de mașină înainte și după fiecare utilizare.

Îndepărtați setul de acumulatori și poziționați trimmerul pe o suprafață plată. Ungeți cu ulei muchia lamei de sus.

OBSERVAȚIE: În caz de perioade lungi de utilizare, ungeți lama în timpul operațiilor de tăiere.

⚠️ AVERTISMENT: Nu ungeți cu ulei în timpul funcționării trimmerului.

TRANSPORTAREA ȘI DEPOZITAREA

- Întotdeauna instalați teaca lamei pe lamă înainte de a depozita sau de a transporta trimmerul de gard viu. Fiți precaut pentru a evita dinții ascuțiți ai lamei.
- Curățați foarte bine trimmerul înainte de a-l depozita.
- Depozitați trimmerul pentru gard viu în interior, într-un loc uscat, inaccesibil copiilor.
- Țineți-l la distanță de agenți corozivi, precum substanțele chimice de grădină și sărurile de dezghețare.

⚠️ AVERTISMENT: Lamele sunt ascuțite. Când manevrați ansamblul lamelor, purtați mănuși de protecție nonderapante, super rezistente. Nu vă amplasați mâna sau degetele între lame sau în orice poziție în care ar putea fi prinse sau tăiate. Nu atingeți NICIODATĂ lamele sau să depanați unitatea cu setul de acumulatori instalat.

Protejarea mediului înconjurător



Nu eliminați echipamentul electric, acumulatorul epuizat și încărcătorul de acumulator împreună cu deșeurile menajere! Predați acest produs unui punct de reciclare autorizat și puneți-l la dispoziția colectării separate. Sculele electrice trebuie returnate unui centru de reciclare ecologic.

KEES VAN DER SPEK
TUINMACHINES ★ STOLWIJK

RO

GHID DE DEPANARE

PROBLEMĂ	CAUZĂ	SOLUȚIE
TRIMMERUL DE GARD VIU NU FUNCȚIONEAZĂ.	<ul style="list-style-type: none"> ■ Setul de acumulatori nu este atașat la trimmer. ■ Nu există contact electric între trimmer și acumulator. ■ Setul de acumulatori este descărcat. ■ Setul de acumulatori este prea fierbinte. ■ Trimmerul este prea fierbinte. ■ Manetele întrerupătoare frontală și posterioară nu sunt apăstate simultan. ■ Lama este blocată. 	<ul style="list-style-type: none"> ■ Atașați setul de acumulatori de trimmer. ■ Îndepărtați acumulatorul, verificați contactele și reinstalați setul de acumulatori. ■ Încărcați setul de acumulatori. ■ Îndepărtați acumulatorul, lăsați aceasta să se răcească până când temperatura scade sub 67°C. ■ Eliberați ambele manete întrerupătoare; lăsați trimmerul să se răcească până când temperatura scade la un nivel normal. ■ Apăsați mai întâi butonul de blocare, după care apăsați simultan manetele întrerupătoare frontală și posterioară. ■ Detașați setul de acumulatori de sculă, îndepărtați blocajele cu atenție, după care reintroduceți acumulatorul și reporniți scula.
VIBRAȚII SAU ZGOMOT EXCESIVE.	<ul style="list-style-type: none"> ■ Lame uscate sau corodate. ■ Lamele sau suportul de lame sunt îndoite. ■ Dinți îndoii sau avariați. ■ Bolțuri de lame slăbite. 	<ul style="list-style-type: none"> ■ Lubrificați lamele respectând instrucțiunile din capitolul "LUBRIFIEREA LAMEI" la din acest manual. ■ Înlocuiți cu o nouă lamă sau cu un suport nou. Contactați centrul de service EGO pentru asistență privind înlocuirea lamei sau a suportului de lamă. ■ Înlocuiți cu o lamă nouă. Contactați centrul de service EGO pentru ajutor cu privire la înlocuirea lamei. ■ Strângeți bolțurile de prindere a lamei. Cu ajutorul unei chei fixe, rotiți bolțul în sensul acelor de ceas pentru a strânge.

RO

GARANȚIA

POLITICA DE GARANȚIE EGO

Vă rugăm consultați website-ul egopowerplus.com pentru termenii și condițiile complete ale politicii de garanție EGO.

PREBERITE VSA NAVODILA!



PREBERITE PRIROČNIK Z NAVODILI ZA UPORABO

⚠ OPOZORILO: Tveganje zaradi preostalega toka! Pred uporabo izdelka se morajo osebe z elektronskimi napravami, kot je srčni spodbujevalnik, posvetovati s svojim zdravnikom. Delovanje električne opreme v bližini srčnega spodbujevalnika lahko povzroči motnje ali okvaro srčnega spodbujevalnika.

⚠ OPOZORILO: Za zagotovitev varnosti in zanesljivosti mora vsa popravila in zamenjave izvesti usposobljen servisni tehnik.

VARNOSTNI SIMBOLI

⚠ OPOZORILO: Delovanje katerega koli električnega orodja lahko povzroči metanje tujkov v vaše oči, kar lahko povzroči resne poškodbe očesa. Pred začetkom dela z električnim orodjem vedno nosite zaščitna očala ali varnostna očala s stranskimi zaščitami in po potrebi tudi ščit za celoten obraz. Priporočamo vam uporabo varnostne maske Wide Vision Safety Mask za uporabo preko očal ali standardnih varnostnih očal s stransko zaščito.



Varnostno opozorilo



Naprave ne uporabljajte v dežju ali je puščajte zunaj, ko dežuje.



Ta izdelek je skladen z veljavnimi direktivami ES.



Hrup višinskega obrezovalnika lahko poškoduje vaš sluh. Za zaščito sluha vedno uporabljajte protihrupne pripomočke (čepke za ušesa ali glušnike).



Dolžina rezila

V Napetost

.../min Na minuto

cm Centimeter



Za zmanjšanje nevarnosti poškodb je pomembno, da uporabnik prebere priročnik z navodili za uporabo.



Zajamčena raven zvočne moči. Emisije hrupa v okolico so v skladu z direktivo Evropske skupnosti.



Odpadnih električnih izdelkov ne odlagajte med gospodinske odpadke. Onesite jih v pooblaščen obrat za recikliranje.



Električnega orodja nikoli ne skušajte upravljati z eno roko. Izguba nadzora na električnim orodjem lahko povzroči hude telesne poškodbe ali celo smrt. Za zmanjšanje tveganja za ureznine držite roke in stopala stran od orodja za rezanje. Vključenega orodja za rezanje se nikoli ne dotikajte z roko ali drugim delom telesa.



Maksimalna zmogljivost rezanja rezila



Enosmerni tok

mm Milimeter

n_0

Hitrost brez obremenitve

SL

TEHNIČNI PODATKI

Model	HT2410E	HT2000E	
Napetost	56 V	56 V	
Hitrost brez obremenitve	1500 /min	1500 /min	
Dolžina rezila	61 cm	51 cm	
Zmogljivost rezanja	26 mm	25 mm	
Teža (brez baterijskega sklopa, pokrova verige)	3,1 kg	2,9 kg	
Priporočena delovna temperatura	0°C–40°C	0°C–40°C	
Priporočena temperatura za shranjevanje	–20°C–70°C	–20°C–70°C	
Izmerjena raven zvočnega tlaka L_{WA}	94,47 dB(A) K = 1,5 dB(A)	91,24 dB(A) K=1,03 dB(A)	
Raven zvočnega tlaka pri položaju upravljalca L_{PA}	83,9 dB(A) K = 3,0 dB(A)	80,62 dB(A) K=3,0 dB(A)	
Zajamčena raven zvočnega tlaka L_{WA} (v skladu z 2000/14/ES)	96 dB(A)	92 dB(A)	
Treslji a_n	Sprednji ročaj	1,8 m/s ² K = 1,5 m/s ²	2,195 m/s ² K=1,5 m/s ²
	Zadnji ročaj	1,7 m/s ² K = 1,5 m/s ²	1,836 m/s ² K=1,5 m/s ²

SL

- Deklarirana skupna vrednost vibracij je bila izmerjena v skladu s standardno preskusno metodo in se lahko uporabi za medsebojno primerjavo različnih orodij.
- Navedena skupna vrednost vibracij se lahko uporabi za predhodne ocene izpostavljenosti.

OPOMBA: Emisije vibracij se lahko med dejansko uporabo električnega orodja razlikujejo od deklarirane vrednosti, pri kateri se orodje uporablja. Z namenom zaščite upravljalca mora uporabnik v dejanskih pogojih uporabe nositi rokavice in zaščito za ušesa.

SEZNAM PAKIRANJA (SLIKA A1)

OPIS

SPOZNAJTE SVOJ OBREZOVALNIK ŽIVE MEJE (slika A1)

1. Odprtina za obešanje
2. Zaščita za konico
3. Rezilo
4. Ščitnik za roko

5. Sprednji ročaj
6. Gumb za odklepanje
7. Zadnji ročaj
8. Gumb za sprostitve baterije
9. Zaklep
10. Električni kontakti
11. Reža za montažo baterije
12. Izmet baterije
13. Vzvod zadnjega stikala
14. Vzvod sprednjega stikala
15. Odprtina za obešanje
16. Ščitnik rezila

⚠ OPOZORILO: Izdelek je ob dobavi popolnoma sestavljen. Med uporabo ne smete ščitnika za roko nikoli odstraniti. V primeru poškodbe naj ščitnik nemudoma zamenja kvalificiran servisni tehnik.

⚠ OPOZORILO: Varna uporaba tega izdelka zahteva razumevanje informacij o orodju in v tem priročniku z navodili za uporabo, prav tako tudi znanje o projektu, ki ga boste izvedli. Pred uporabo tega izdelka se seznanite z vsemi funkcijami delovanja in varnostnimi pravili.

DELOVANJE

⚠ OPOZORILO: Četudi se dodobra seznanite s tem izdelkom, pri rokovanju z njim ne postanite neprevidni. Pomnite, da je brezskrbni delec sekunde dovolj za resno poškodbo.

⚠ OPOZORILO: Vedno nosite zaščito za oči, ki ima varovanje tudi s strani. Če tega ne storite, vam lahko v oči priletijo predmeti ali pa se lahko zgodijo druge hude poškodbe.

⚠ OPOZORILO: Da preprečite nenamerni zagon, ki bi lahko povzročil resno telesno poškodbo, pri nameščanju delov, prilagajanjem, čiščenjem in kadar ni v uporabi, vedno odstranite baterijski sklop.

⚠ OPOZORILO: Ne uporabljate priključkov ali dodatkov, ki jih proizvajalec EGO™ ne priporoča. Uporaba priključkov ali dodatkov, ki niso priporočeni, lahko privede do resnih osebnih poškodb.

Pred vsako uporabo celoten izdelek preverite za poškodovane, manjkajoče ali odvijte dele, kot so vijaki, matice, pokrovčki itd. Dobro privijte vsa zpenjala in pokrovčke ter izdelka ne uporabljajte dokler manjkajoč ali poškodovan del ni nameščen.

UPORABA

HT2410E: Ta izdelek lahko uporabljajte za obrezovanje žive meje, grmov in grmovja s premerom vej manj kot Ø 26 mm (HT2410E) / Ø 25 mm (HT2000E).

OPOMBA: Izdelek se lahko uporablja samo za predpisan namen. Kakršna koli druga uporaba se smatra za nepravilno uporabo.

NAMEŠČANJE/ODSTRANJEVANJE BATERIJSKEGA SKLOPA

NAPRAVO UPORABLJAJTE LE Z AKUMULATORSKIMI BATERIJAMI IN POLNILNIKI, NAVEDENIMI NA SLIKI A2.

Pred prvo uporabo ga napolnite.

Nameščanje (slika B)

Rebra baterije poravnajte z režami za namestitev in baterijski sklop potisnite navzdol, da zaslišite klik.

Odstranjevanje (slika C)

Pritisnite gumb za sprostitve baterije in baterijski sklop potegnite ven.

⚠ OPOZORILO: Vedno bodite pozorni na lokacijo vaših stopal, otrok ali hišnih ljubljencev, ko pritisnete gumb za sprostitve baterije. Če baterijski sklop pade, lahko povzroči resne poškodbe. Baterijskega sklopa NIKOLI ne odstranjujte na visoki lokaciji.

PRIJEM OBREZOVALNIKA ŽIVE MEJE (slike D, E in F)

Enota ima sprednji in zadnji ročaj. Enoto držite z obema rokama, pri čemer naj bo rezilo usmerjeno stran od vas. Vzvod stikala na sprednjem ročaju je mogoče aktivirati na kateri koli izmed treh strani, zaradi česar imate na voljo številne možnosti za udoben prijem pri rezanju.

⚠ OPOZORILO: Obrezovalnik žive meje vedno držite z obema rokama. Nikoli ne držite grmovja z eno roko, medtem ko z drugo upravljate obrezovalnik. Če tega opozorila ne boste upoštevali, lahko pride do hudih telesnih poškodb.

ZAGON/ZAUSTAVITEV OBREZOVALNIKA ŽIVE MEJE

Pred upravljanjem odstranite ščitnik in obrezovalnik držite z obema rokama. Eno roko imejte na zadnjem ročaju, drugo pa na sprednjem. Nato preverite za uravnoteženo oporo, pokončen položaj in primerno razdaljo za rezanje.

Zagon

1. Namestite baterijski sklop.
2. Z eno roko pritisnite in pridržite vzvod stikala na sprednjem stikalu.
3. S palcem druge roke pritisnite in pridržite gumb za odklepanje, nato s prsti stisnite vzvod zadnjega stikala za zagon obrezovalnika. Sprostite gumb za odklepanje in še naprej stiskajte sprožilec za nadaljevanje delovanja.

ZAUSTAVITEV

Obrezovalnik žive meje odmaknite od območja rezanja in sprostite vzvod zadnjega stikala ter tako ustavite obrezovalnik.

⚠ OPOZORILO: Med delovnimi odmori in po končanem delu iz obrezovalnika žive meje vedno odstranite baterijski sklop.

UPORABA OBREZOVALNIKA ŽIVE MEJE

⚠ OPOZORILO: Če se rezilo zagodzi ob električni kabel, **SE REZILA NE DOTIKAJTE! LAHKO POSTANE ELEKTRIČNO NAPETO IN ZELO NEVARNO.**

Obrezovalnik še naprej držite za izolirano zadnje držalo ali ga varno položite na tla in stran od sebe. Pred osvoboditvijo obrezovalnika iz poškodovanega kabla prekinite napajanje kabla. Če tega opozorila ne boste upoštevali, lahko pride do hudih poškodb ali celo smrti.

⚠ OPOZORILO: Izogibajte se prevelikim količinam obrezovanja skozi gosto grmičevje naenkrat. To lahko povzroči, da se rezila upognijo in upočasnijo, kar zmanjša učinkovitost obrezovanja.

OPOMBA: Obrezovalnik se lahko uporablja za rezanje stebel debeline manj kot (26 mm)

OPOMBA: Za novo rast je pomembno široko pometanje, da stebila dovaja neposredno v rezila. Za starejšo rast je za obrezovanje debelejših stebel dobro žaganje. Priporočamo uporabo ročne žage ali žage za obrezovanje, da z njo najprej obrežete velika stebila.

Zgornje rezanje

Uporabite gibanje v obliki širokega pometanja. Rezila nagnite rahlo naprej v smeri gibanja, s čimer boste dosegli najboljše rezultate. Za boljši učinek rezanja, lahko uporabite tudi vrstico, da boste z njo določili nivo žive meje, kot prikazuje slika G.

Stransko rezanje

Pri obrezovanju strani žive meje začnite spodaj in režite navzgor, kot je prikazano na sliki H. Strani žive meje obrežite tako, da bo živa meja zgoraj nekoliko ožja. S takšno obliko bo več žive meje izpostavljene sončni svetlobi, kar se bo povzročilo bolj enakomerno rast.

VZDRŽEVANJE

⚠ OPOZORILO: Pri servisiranju uporabljajte le identične nadomestne dele. Uporaba drugih delov je tvegana in lahko povzroči škodo na izdelku. Za zagotovitev varnosti in zanesljivosti mora vsa popravila izvesti usposobljen serviser.

⚠ OPOZORILO: Da bi se izognili hudim telesnim poškodbam, med čiščenjem ali vzdrževanjem iz izdelka vedno odstranite baterije.

ČIŠČENJE

- Z mehko krtačo odstranite delce iz vseh odprtin za dovod zraka in rezil.
- Za odstranjevanje smole in drugih lepljivih ostankov rezila popršite s topilom za smolo. Za kratek čas zaženite motor, da se bo topilo enakomerno porazdelilo.
- Površino obrišite s suho krpo.

⚠ OPOZORILO: Obrezovalnika nikoli ne čistite z vodo. Pri čiščenju plastičnih delov se izogibajte uporabi topil. Večina vrst plastik se lahko pri uporabi različnih komercialnih topil poškoduje. Za odstranjevanje umazanije, praha, olja in maščobe uporabljajte čiste krpe.

OSTRENJE REZILA

1. Vključite in izklopite obrezovalnik žive meje, dokler nista rezila za košnjo in ščitnik nekoliko odmaknjena, kot je prikazano na sliki I. To bo omogočilo prostor za brusilnik med zobniki rezila in zobniki ščitnika.
2. Iz obrezovalnika žive meje odstranite baterijski sklop.
3. Sklop rezil vpiňte v primež in nabrusite izpostavljeno rezalno površino vsakega rezalnega zoba. Poskrbite, da odstranite čim manj materiala. Pri brušenju zagotovite, da bo vsak zobnik ostal pod prvotnim kotom.
4. Obrezovalnik žive meje odstranite iz primeža ter ga ponovno vključite in izklopite, da se bodo prikazali nenabrušeni robovi zobnikov rezila.
5. Odstranite baterijski sklop in ponovite zgoraj opisan postopek brušenja.

OPOMBA: Ne uporabljajte obrezovalnika s topim ali poškodovanim rezilom. To lahko povzroči preobremenitev in nezadovoljive rezultate rezanja.

MAZANJE REZILA (slika J)

Za najboljše delovanje in daljšo življenjsko dobo rezila, obrezovalnik žive meje namažite z oljem za stroje pred in po vsaki uporabi.

Odstranite baterijski sklop in obrezovalnik postavite na ravno površino. Nanesite olje po robu topega rezila.

OPOMBA: Pri daljši uporabi rezilo naoljite med uporabo.

⚠ OPOZORILO: Olja ne nanašajte, če obrezovalnik žive meje deluje.

TRANSPORT IN SKLADIŠČENJE

- Pred shranjevanjem ali prevozom obrezovalnika žive meje vedno namestite ščitnik na rezilo. Bodite previdni, da se izognete ostrim zobem rezila.
- Pred skladiščenjem obrezovalnik žive meje temeljito očistite.
- Obrezovalnik žive meje skladiščite v notranjem suhem prostoru, ki je nedostopen otrokom.
- Ne shranjujte ga v bližini korozivnih sredstev, kot so vrtno kemikalije in soli za toplotenje ledu.

⚠ OPOZORILO: Rezila so ostra. Pri sestavljanju rezil si nadenite nedrseče zaščitne rokavice za groba dela. Prstov in dlani ne postavljajte med rezila ali na mesta, kjer bi jih mehanizem lahko stisnil ali odrezal. NE dotikajte se rezil ali servisirajte enote, če je baterijski sklop nameščen.

Varovanje okolja



Električne opreme, rabljene baterije in polnilnika ne odvrzite med gospodinjске odpadke. Izdelek odnesite v pooblaščen obrat za recikliranje in omogočite ločeno odstranjevanje med odpadke. Električna orodja je treba odnesti na obrat za recikliranje in ga reciklirati na okolju prijazen način.

ODPRAVLJANJE TEŽAV

TEŽAVA	VZROK	REŠITEV
OBREZOVALNIK ŽIVE MEJE NE DELUJE.	<ul style="list-style-type: none"> ■ Baterijski sklop ni pritrjen na obrezovalnik žive meje. ■ Med obrezovalnikom in baterijo ni električnega stika. ■ Baterijski sklop je izprazen. ■ Baterijski sklop je prevroč. ■ Obrezovalnik žive meje je prevroč. ■ Vzvod sprednjega in zadnjega stikala ni pritisnjen istočasno. ■ Rezilo je zagodeno. 	<ul style="list-style-type: none"> ■ Baterijski sklop pritrdite na obrezovalnik žive meje. ■ Odstranite baterijo, preverite kontakte in ponovno namestite baterijski sklop. ■ Napolnite baterijski sklop. ■ Baterijski sklop ali verižno žago ohladite do temperature, ki je nižja od 67 °C. ■ Sprostite oba vzvoda stikal. Dovolite, da se obrezovalnik ohladi na normalno temperaturo. ■ Najprej pritisnite gumb za odklepanje, nato hkrati pritisnite vzvoda stikal na sprednjem in zadnjem ročaju. ■ Iz orodja odstranite baterijski sklop. Oviro previdno odstranite, nato ponovno namestite baterijo in ponovno zaženite orodje.
PREVELIKE VIBRACIJE ALI HRUP	<ul style="list-style-type: none"> ■ Suha ali razjedena rezila. ■ Rezilo ali podpora za rezilo je upognjena. ■ Zobje so upognjeni ali poškodovani. ■ Zrahljani vijaki rezila. 	<ul style="list-style-type: none"> ■ Namažite rezila v skladu z navodili v razdelku »MAZANJE REZILA« tega priročnika. ■ Namestite novo podporo za rezilo. Za zamenjavo rezila ali podpore rezila stopite v stik s servisnim centrom EGO. ■ Namestite novo rezilo. Za zamenjavo rezila stopite v stik s servisnim centrom EGO. ■ Privijte vijake rezila. S ključem vijak obrnite v smeri urinega kazalca in ga privijte.

SL

GARANCIJA

GARANCIJSKA POLITIKA DRUŽBE EGO

Za popolne pogoje garancijske politike družbe EGO obiščite spletno stran egopowerplus.com.

PERSKAITYKITE VISĄ INSTRUKCIJĄ!



SKAITYTI NAUDOJIMO INSTRUKCIJĄ

⚠️ ĮSPĖJIMAS. Residual risk! People with electronic devices, such as pacemakers, should consult their physician(s) before using this product. Operation of electrical equipment in close proximity to a heart pacemaker could cause interference or failure of the pacemaker.

⚠️ ĮSPĖJIMAS. Norint užtikrinti saugų ir patikimą gaminio naudojimą, visus remonto ir keitimo darbus turi atlikti kvalifikuotas techninės priežiūros specialistas.

SAUGOS SIMBOLIAI

⚠️ ĮSPĖJIMAS. Bet koks elektrinis įrankis naudojimo metu gali išsviesti šiukšles, kurios gali pataikyti į akis ir sunkiai jas sužaloti. Prieš pradėdami naudoti elektrinį įrankį, visada užsidėkite apsauginius akinius arba apsauginius akinius su šonine apsauga ir, jei reikia, visą veidą dengiantį skydelį. Rekomenduojame naudoti platų matymo lauką užtikrinančią apsauginę kaukę, dedamą ant akinių, arba standartinius apsauginius akinius su šonine apsauga.



Saugos įspėjimas



Norėdamas sumažinti susižalojimo pavojų, naudotojas privalo perskaityti naudojimo instrukciją.



Nenaudokite lyjant ir nepalikite lauke per lietų.



Garantuojamas garso galios lygis. Triukšmo sklaida į aplinką atitinka Europos Bendrijos direktyvą.



Šis gaminys atitinka taikomas EB direktyvas.



Netinkamus naudoti elektros prietaisus draudžiama išmesti kartu su buitinėmis atliekomis. Pristatyti įgaliotam perdirbėjui.

LT



Naudodami šį gaminį, visada užsidėkite apsauginius akinius arba apsauginius akinius su šonine apsauga ir visą veidą dengiantį skydelį.



Niekada nebandykite dirbti su elektriniu įrankiu viena ranka. Praradus elektrinio įrankio kontrolę galite sunkiai ar mirtinai susižeisti. Norėdami sumažinti pjautinių traumų pavojų rankas ir pėdas laikykite toliau nuo pjovimo įrankio. Niekada nepriglauskite judančio pjovimo įrankio prie rankų ar kitų kūno dalių.



Peilio ilgis



Iki žirklių pjovimo galia

V Įtampa



Nuolatinė srovė

.../min Per minutę



mm Milimetrai

cm Centimetrai



n_0 Sūkiai be apkrovos

TECHNINIAI DUOMENYS

Modelis	HT2410E	HT2000E
Įtampa	56 V ---	56 V ---
Sūkiai be apkrovos	1500 /min	1500 /min
Ašmenų ilgis	61 cm	51 cm
Kirpimo charakteristikos	26 mm	25 mm
Svoris (be sudėtinės baterijos)	3,1 kg	2,9 kg
Rekomenduojama darbinė temperatūra	Nuo 0°C iki 40°C	Nuo 0°C iki 40°C
Rekomenduojama sandėliavimo temperatūra	Nuo -20 °C iki 70°C	Nuo -20 °C iki 70°C
Išmatuotas garso galios lygis L_{WA}	94,47 dB(A) K=1,5 dB(A)	91,24 dB(A) K=1,03 dB(A)
Garso slėgio lygis ties operatoriumi L_{PA}	83,9 dB(A) K=3,0 dB(A)	80,62 dB(A) K=3,0 dB(A)
Garantuojamas garso galios lygis L_{WA} (išmatuotas pagal 2000/14/EB)	96 dB(A)	92 dB(A)
Vibracija ah	Priekinė rankena	1,8 m/s ² K=1,5 m/s ²
	Galinė rankena	1,7 m/s ² K=1,5 m/s ²
		2,195 m/s ² K=1,5 m/s ²
		1,836 m/s ² K=1,5 m/s ²

- Nurodyta bendroji vibracijos vertė išmatuota taikant standartinį bandymo metodą, todėl pagal ją galima palyginti skirtingus įrenginius.
- Nurodytą bendrąją vibracijos vertę taip pat galima naudoti pirminiam poveikio vertinimui.

PASTABA: Naudojant įrenginį realiomis sąlygomis, sklaidžiamos vibracijos stiprumo vertė gali skirtis nuo nurodytos. Kad apsaugotų dirbdamas realiomis sąlygomis, naudotojas turi mūvėti pirštines ir naudoti ausų apsaugos priemones.

PAKUOTĖS TURINIO SĄRAŠAS (A1 PAV.)

APRAŠAS

SUŽINOKITE, KAIP VEIKIA GYVATVORIŲ ŽIRKLĖS (A1 pav.)

1. Pakabinimo skylė
2. Viršūnės apsauga
3. Ašmenys
4. Rankos apsauga
5. Priekinė rankena

6. Blokavimo mygtukas
7. Galinė rankena
8. Baterijos atjungimo mygtukas
9. Užraktas
10. Elektros kontaktai
11. Baterijos įstatymo anga
12. Baterijos išstūmimas
13. Galinio jungiklio svirtis
14. Priekinio jungiklio svirtis
15. Pakabinimo skylė
16. Ašmenų apsauga

⚠️ ĮSPĖJIMAS: šis gaminys išsiųstas visiškai surinktas. Naudojimo metu niekada negalima nuimti rankos apsaugos. Ją sugadinę nedelsdami atiduokite gaminiį kvalifikuotam techninės priežiūros meistrui, kad apsaugą pakeistų.

⚠️ ĮSPĖJIMAS: saugiam šio gaminio naudojimui reikalingas ant įrenginio ir naudotojo vadove pateiktos informacijos supratimas, taip pat taip pat projekto, kurį planuojate vykdyti, žinojimas. Prieš pradėdami naudoti šį įrenginį, susipažinkite su visomis veikimo funkcijomis ir saugos taisyklėmis.

NAUDOJIMAS

⚠️ ĮSPĖJIMAS: mokėjimas naudotis įrenginiu nesuteikia teisės dirbti nerūpestingai. Atsiminkite, kad trumpam atitraukę dėmesį galite sunkiai susižaloti.

⚠️ ĮSPĖJIMAS: visada dėvėkite akinius su šonine apsauga ir ausų apsaugą. Nesilaikant šio nurodymo, objektai gali būti sviedžiami jums į akis arba galite būti kitaip sunkiai sužaloti.

⚠️ ĮSPĖJIMAS: Norėdami išvengti atsitiktinio paleidimo, kuris gali lemti sunkų sužalojimą, visada išimkite sudėtinę bateriją iš įrenginio, kai montuojate dalis, reguliuojate, valote arba nenaudojate įrenginio.

⚠️ ĮSPĖJIMAS: nenaudokite bet kokių priedų arba įtaisų, kurių nerekomendavo EGO™. Naudodami nerekomenduojamus priedus arba įtaisyms galite sunkiai susižaloti.

Prieš kiekvieną naudojimą patikrinkite visą įrenginį, ar nėra sugadintas, netrūksta dalių arba, ar jos nėra atsilaisvinusios (sraigčiai, varžlės, varžtai, dangteliai ir pan.). Priveržkite visus tvirtinimo elementus ir uždėkite dangtelius. Nenaudokite įrenginio, kol nebus sumontuotos trūkstamos arba pakeistos sugadintos dalys.

LT

PASKIRTIS

HT2410E: Šį gaminį galite naudoti gyvatvorėms, krūmokšniams ir krūmams, kurių šakos ne storesnės kaip 26 mm (HT2410E) ir 25 mm (HT2000E) kirpti ir formuoti.

PASTABA: Šį įrenginį reikia naudoti tik pagal nurodytą paskirtį. Naudojimas bet kokių kitu tikslu laikomas netinkamu naudojimu.

SUDĖTINĖS BATERIJOS ĮSTATYMAS / IŠĖMIMAS

Naudokite tik su A2 paveiksle nurodytomis sudėtinėmis baterijomis ir įkrovikliais.

Prieš naudodami pirmą kartą, įkruvinkite.

Montavimas (B pav.)

Sulyginkite baterijos briaunes su įleidimo grioveliais ir paspauskite sudėtinę bateriją žemyn, kol išgirsite trakstelėjimą.

Išėmimas (C pav.)

Paspauskite baterijos išėmimo mygtuką ir išimkite sudėtinę bateriją.

⚠️ ĮSPĖJIMAS: prieš nuspausdami baterijos atkabinimo mygtuką, visada žinokite savo kojų, vaikų arba gyvūnų buvimo padėtį. Kriisdama sudėtinė baterija gali sunkiai sužaloti. NIEKADA nenuimkite sudėtinę bateriją aukštyje.

GYVATVORIŲ ŽIRKLIŲ LAIKYMAS (D, E IR F PAV.)

Įrankyje yra ir priekinė, ir galinė rankena. Nukreipę ašmenis tolyn nuo savęs, laikykite žirkles paėmę už abiejų rankenų. Priekinės rankenos jungiklio svirtį galima įjungti bet kurioje iš trijų pusių, todėl pjovimo metu įrankį galite patogiai laikyti.

⚠️ ĮSPĖJIMAS: visada abejomis rankomis laikykite gyvatvorių žirklių rankenas. Niekada viena ranka nelaikykite krūmo, o kita – gyvatvorių žirklių. Nesilaikydami šio nurodymo galite sunkiai susižaloti.

GYVATVORIŲ ŽIRKLIŲ PALEIDIMAS IR SUSTABDYMAS

Prieš pradėdami darbą nuimkite ašmenų apsaugą ir laikykite žirkles abiem rankomis, t. y. viena ranka galinę rankeną, o kita – priekinę rankeną. Įsitinkinkite, kad stovite tvirtai, išsitiesę ir išlaikydami tinkamą pjovimo atstumą.

Paleidžiant

1. Įstatykite sudėtinę bateriją.
2. Viena ranka nuspauskite ir laikykite nuspaudę priekinės rankenos jungiklio svirtį.

3. Kitos rankos nykščiu paspauskite ir laikykite nuspaudę blokavimo mygtuką, o po to kitais pirštais suspauskite galinio jungiklio svirtį, kad gyvatvorių žirkles įsijungtų. Atleiskite blokavimo mygtuką ir toliau laikykite nuspaudę jungiklio svirtį, kad tęstumėte darbą.

Stabdant

Kai gyvatvorių žirkles norite sustabdyti, atitraukite jas nuo pjovimo zonos ir atleiskite galinio jungiklio svirtį.

⚠️ ĮSPĖJIMAS: darydami pertraukas arba baigę darbą, visada išimkite iš gyvatvorių žirklių sudėtinę bateriją.

GYVATVORIŲ ŽIRKLIŲ NAUDOJIMAS

⚠️ ĮSPĖJIMAS: jeigu užstringa ašmenys, maitinimo laidas arba elektros linijos laidai, **NELIESKITE AŠMENŲ! JAIS GALI TEKĖTI ELEKTROS SROVĖ, O TAI GALI BŪTI LABAI PAVOJINGA.** Laikykite gyvatvorių žirkles už izoliuotų rankenų arba padėkite toliau nuo savęs saugiu būdu. Prieš bandydami išlaisvinti ašmenis, atjunkite maitinimo laidą arba elektros tiekimo liniją. Nesilaikydami šio nurodymo galite sunkiai arba net mirtinai susižaloti.

⚠️ ĮSPĖJIMAS: Venkite kirpti per daug vienu metu arba per tankius krūmus. Dėl to ašmenys gali strigti ir sulėtėti, taip sumažėjant kirpimo našumui.

PASTABA. Gyvatvorių žirkles skirtos karpyti iki 26 mm storio šakoms.

PASTABA: Kirpdami naujai išaugusią augmeniją, naudokite platų moją, kad stiebai patektų tiesiai į ašmenis. Paaugusi augmenija turi storesnius stiebus, todėl juos lengviau nupjausite naudodami pjovimo judesį. Apipjaustyti dideliems stiebams pirmiausia siūlomas nevariklinis rankinis pjūklas arba genėjimo pjūklas.

VIRŠŪNĖS KIRPIMAS

Naudokite platų moją. Geriausiems kirpimo rezultatams užtikrinti nesmarkiai paverskite ašmenis žemyn kirpimo kryptimi. Jeigu pageidaujate, galite naudoti virvę, kurios pagalba reguliuosite gyvatvorės pjovimo aukštį, kaip parodyta G pav.

Šonų kirpimas

Kai kerpate gyvatvorės šonus, pradėkite nuo apačios ir kirpkite į viršų (žr. H pav.). Gyvatvorės šoną kirpkite taip, kad viršuje jį būtų šiek tiek siauresnė. Dėl tokios formos saulės šviesa apšvies daugiau gyvatvorės šakų ir gyvatvorė tolygiau augs.

TECHNINĖ PRIEŽIŪRA

⚠️ ĮSPĖJIMAS: Atlikdami techninės priežiūros darbus, naudokite tik identiškas atsargines dalis. Naudojant bet kokias kitas dalis, gali kilti pavojus arba sugesti gaminys. Norint užtikrinti saugų ir patikimą gaminio naudojimą visus remonto darbus turi atlikti kvalifikuotas techninės priežiūros specialistas.

⚠️ ĮSPĖJIMAS: norėdami išvengti rimtų sužeidimų, visada išimkite akumuliatorių iš įrenginio, kai valote arba atliekate techninę priežiūrą.

VALYMAS

- Nešvarumų nuo ašmenų ir oro įsiurbimo angų šalinimui naudokite minkštą šepetėlį.
- Dervos arba kitų lipnių nešvarumų šalinimui užpurškite dervos tirpiklio ant ašmenų. Trumpam įjunkite variklį, kad tirpiklis tolygiai pasiskirstytų.
- Sausa šluoste švariai nuvalykite paviršius.

⚠️ ĮSPĖJIMAS: niekada žoliapjovės valymui nenaudokite vandens. Valydami plastikines dalis nenaudokite tirpiklių. Įvairūs komerciniai tirpikliai ardo daugelį plastikų. Purvo, dulkių, alyvos, tepalo ir pan. valymui naudokite švarų audinį.

AŠMENŲ GALANDIMAS

1. Paleiskite ir sustabdykite savo gyvatvorių žirkles, kol pjovimo ašmenys ir jų apsauga šiek tiek prasiskirs, kaip parodyta I paveiksle. Tokiu būdu tarp pjovimo dantukų ir apsaugos dantukų atsiras tarpelis dildei įkišti.
2. Iš gyvatvorės žirklių išimkite sudėtinę bateriją.
3. Į spaustuvus įtvirtinkite ašmenis ir dilde pagaląskite kiekvieną ašmenų dantuką. Pasistenkite galąsdami pašalinti kuo mažiau metalo. Galąsdami išlaikykite kiekvieno dantuko pradinį pakreipimo kampą.
4. Išimkite gyvatvorių žirkles iš spaustuvų; paleiskite ir vėl sustabdykite, kad atsidengtų nepagaląsti ašmenų dantukų kraštai.
5. Išimkite sudėtinę bateriją ir pakartokite pirmiau aprašytą galandimo procedūrą.

PASTABA: nenaudokite gyvatvorių žirklių, jeigu ašmenys atbukę arba sugadinti. Dėl to įrenginys gali būti perkrautas ir suprastėti kirpimo rezultatai.

AŠMENŲ TEPIMAS (J PAV.)

Geriausiam veikimui ir ilgesniam ašmenų naudojimui, prieš kiekvieną naudojimą ir po jo, tepkite gyvatvorių žirklių ašmenis lengva mašininė alyva.

Iš gyvatvorių žirklių išimkite sudėtinę bateriją, o gyvatvorių žirkles paguldykite ant lygaus paviršiaus. Viršutinę ašmenų briauną suteptkite alyva.

PASTABA: Jeigu gyvatvorių žirkles naudosite ilgesnį laikotarpį, suteptkite ašmenis naudojimo metu.

⚠️ ĮSPĖJIMAS: netepkite alyva veikiančių gyvatvorių žirklių.

TRANSPORTAVIMAS IR SANDĖLIAVIMAS

- Prieš gyvatvorių žirklių gabenimą ir sandėliavimą visada ant ašmenų uždėkite apsaugą. Būkite atsargūs ir nesiliieskite prie aštrių ašmenų dantukų.
- Prieš sandėliavimą kruopščiai nuvalykite gyvatvorių žirkles.
- Gyvatvorių žirkles sandėliuokite sausoje patalpoje, nepasiekiamoje vaikams vietoje.
- Laikykite atokiau nuo koroziją sukeliančių medžiagų, kaip sodo chemikalai ir techninės druskos.

⚠️ ĮSPĖJIMAS: ašmenys yra aštrūs. Atlikdami veiksmus su ašmenimis, mūvėkite neslidžias ir tvirtas apsaugines pirštines. Nekiškite rankos arba pirštų tarp ašmenų arba tokioje padėtyje, kur jie gali būti sugnybti arba įpjauti. NIEKADA nelieskite ašmenų arba neatlikite techninės priežiūros, jeigu į įrenginį įstatyta sudėtinė baterija.

Aplinkos apsauga



Neišmeskite elektros įrangos, panaudotų baterijų ir įkroviklio kartu su buitinėmis atliekomis! Šias atliekas reikia pristatyti į jų surinkimo vietą ar įgaliotam perdirbėjui. Elektrinius įrankius reikia grąžinti į atitinkamą perdirbimo įmonę.

LT

TRIKČIŲ DIAGNOSTIKA IR JŲ ŠALINIMAS

PROBLEMA	PRIEŽASTIS	SPRENDIMAS
GYVATVORIŲ ŽIRKLĖS NEVEIKIA.	<ul style="list-style-type: none"> ■ Sudėtinė baterija neprijungta prie gyvatvorių žirklių. ■ Nėra elektros kontakto tarp gyvatvorių žirklių ir baterijos. ■ Sudėtinė baterija visiškai išsikrovusi. ■ Sudėtinė baterija yra pernelyg įkaitusi. ■ Gyvatvorių žirklys yra pernelyg įkaitusios. ■ Priekinio ir galinio jungiklių svirtys nenuspausťos vienu metu. ■ Įstrigę ašmenys. 	<ul style="list-style-type: none"> ■ Prijunkite sudėtinę bateriją prie gyvatvorių žirklių. ■ Išimkite sudėtinę bateriją, patikrinkite kontaktus ir vėl įstatykite sudėtinę bateriją. ■ Įkraukite sudėtinę bateriją. ■ Išimkite sudėtinę bateriją iš įrenginio ir leiskite jam atvėsti, kol temperatūra nukris žemiau 67°C. ■ Atleiskite abi jungiklio svirtis; leiskite gyvatvorių žirklyms atvėsti, kad temperatūra nukristų iki normalios temperatūros. ■ Pradžioje nuspauskite blokavimo mygtuką, o po to vienu metu nuspauskite priekinės ir galinės rankenos jungiklių svirtis. ■ Iš gyvatvorių žirklių išimkite sudėtinę bateriją, atsargiai pašalinkite kliūtį, o tada vėl įstatykite bateriją ir iš naujo paleisite įrenginį.
Per didelė vibracija ar triukšmas.	<ul style="list-style-type: none"> ■ Nesutepti arba korozijos pažeisti ašmenys. ■ Ašmenys arba ašmenų atrama yra sulankstyta. ■ Sulankstyti arba sugadinti dantukai. ■ Atsileidę ašmenų varžtai. 	<ul style="list-style-type: none"> ■ Suteptkite ašmenis vadovaudamiesi skyriumi „AŠMENŲ TEPIMAS“ šio vadovo. ■ Ašmenis arba atramą pakeiskite nauja. Dėl ašmenų arba pakeitimo paslaugos kreipkitės į EGO techninės priežiūros centrą, kurio kontaktus. ■ Ašmenis pakeiskite naujais. Dėl ašmenų arba pakeitimo paslaugos kreipkitės į EGO techninės priežiūros centrą, kurio kontaktus. ■ Priveržkite peilio varžtus. Norėdami priveržti, veržliarakčiu sukite varžtus pagal laikrodžio rodyklę.

LT

GARANTIJA

„EGO“ GARANTINIS POLISAS

Norėdami sužinoti visas „EGO“ garantinio poliso sąlygas, apsilankykite interneto svetainėje egopowerplus.com.

IZLASIET VISUS NORĀDĪJUMUS!



IZLASIET LIETOTĀJA ROKASGRĀMATU

⚠ BRĪDINĀJUMS! Citi riski! Personām, kuras lieto elektroniskas ierīces, piemēram, elektrokardiostimulatorus, pirms šīs ierīces lietošanas jākonsultējas ar savu ārstu. Elektriskā aprīkojuma darbība sirds elektrokardiostimulatora tuvumā var radīt stimulatora darbības traucējumus vai kļūmes.

⚠ BRĪDINĀJUMS! Lai garantētu drošību un uzticamību, ierīces remontu un tās detaļu nomaiņu uzticiet veikt tikai kvalificētam servisa tehniķim.

DROŠĪBAS SIMBOLI

⚠ BRĪDINĀJUMS! Jebkura elektroinstrumenta lietošanas laikā acīs var iekļūt svešķermeņi, kas var radīt smagu acu traumu. Pirms elektroinstrumenta ieslēgšanas vienmēr uzvelciet aizsargbrilles vai aizsargbrilles ar sānu aizsargiem un, ja nepieciešams, pilnu sejas aizsargmasku. Iesakām izmantot aizsargmasku ar plašu skata leņķi, ko uzvelk virs parastajām brillēm, vai arī standarta aizsargbrilles ar sānu aizsargiem.



Drošības brīdinājums



Lai mazinātu traumu gūšanas bīstamību, lietotājam jāizlasa lietotāja rokasgrāmata.



Neizmantojiet lietū vai neatslēgt arā, kamēr līst lietus.



Garantētais skaņas intensitātes līmenis. Trokšņa emisija vidē atbilstoši Eiropas Kopienas direktīvai.



Šis izstrādājums atbilst piemērojamām EK direktīvām.



Elektrisko izstrādājumu atkritumus nedrīkst izmest kopā ar sadzīves atkritumiem. Nogādājiet uz pilnvarotu pārstrādes punktu.



Lietojot šo izstrādājumu, vienmēr izmantojiet aizsargbrilles vai aizsargbrilles ar sānu aizsargiem un pilnu sejas aizsargu.



Nekad nedarbiniet elektroninstrumentu tikai ar vienu roku! Zaudējot kontroli pār elektroinstrumentu, iespējams gūt smagas vai nāvējošas traumas. Lai mazinātu traumu risku, ko varētu izraisīt griešanas instruments, nenovietojiet tā tuvumā rokas un kājas. Nekādā gadījumā nemēģiniet pievienot kustīgu griešanas instrumentu ar roku vai kādu citu ķermeņa daļu

LV



Asmens garums



Asmens maks. griešanas kapacitāte

V Spriegums

≡ Līdzstrāva

.../min Minūtē

mm Milimetri

cm Centimetrs

n_0 Apgriezienu skaits bez slodzes

SPECIFIKĀCIJAS

Modelis	HT2410E	HT2000E	
Spriegums	56 V $\overline{---$	56 V $\overline{---$	
Ātrums, strādājot bez slodzes	1500 /min	1500 /min	
Asmens garums	61 cm	51 cm	
Griešanas kapacitāte	26 mm	25 mm	
Svars (bez akumulatoru komplekta)	3,1 kg	2,9 kg	
Ieteicamā darba temperatūra	0°C–40°C	0°C–40°C	
Ieteicamā uzglabāšanas temperatūra	-20°C–70°C	-20°C–70°C	
Izmērītais trokšņa jaudas līmenis L_{WA}	94,47 dB(A) K=1,5 dB(A)	91,24 dB(A) K=1,03 dB(A)	
Skaņas spiediena līmenis lietotāja pozīcijā L_{PA}	83,9 dB(A) K=3,0 dB(A)	80,62 dB(A) K=3,0 dB(A)	
Garantētais skaņas intensitātes līmenis L_{WA} (saskaņā ar Direktīvu Nr. 2000/14/EK)	96 dB(A)	92 dB(A)	
Vibrācija a_n	Priekšējais rokturis	1,8 m/s ² K=1,5 m/s ²	2,195 m/s ² K=1,5 m/s ²
	Aizmugurējais rokturis	1,7 m/s ² K=1,5 m/s ²	1,836 m/s ² K=1,5 m/s ²

- Norādītā vibrāciju kopējā vērtība ir izmērīta saskaņā ar standarta pārbaudes metodi un var tikt izmantota, lai salīdzinātu vairākus instrumentus.
- Norādītā vibrāciju kopējā vērtība var arī tikt izmantot ietekmes sākotnējai novērtēšanai.

PIEZĪME. Vibrāciju emisijas patiesajā elektroinstrumenta darbības laikā var atšķirties no norādītās vērtības. Lai pasargātu operatoru, lietotājam jāvalkā cimdi un dzirdes aizsarglīdzekļi atbilstoši patiesajiem darba apstākļiem.

KOMPLEKTĀCIJA PRAKSTS (A1 ATT.)

PĀRZINIET SAVU DZĪVŽOGU TRIMMERI (A1 att.)

1. Caurums pakarināšanai
2. Gala aizsargs
3. Asmens
4. Roku aizsargs
5. Priekšējais rokturis
6. Bloķēšanas poga
7. Aizmugurējais rokturis
8. Akumulatora atbrīvošanas poga

9. Slēgmehānisms
10. Elektriskie kontakti
11. Akumulatora ievietošanas ligzda
12. Akumulatora izņemšana
13. Aizmugurējā slēdža svira
14. Priekšējā slēdža svira
15. Caurums pakarināšanai
16. Asmens aizsargs

⚠ BRĪDINĀJUMS. Šis izstrādājums piegādes brīdī ir pilnībā samontēts. Lietošanas laikā rokas aizsargu nekad nedrīkst noņemt. Ja radies bojājums, nekavējoties nomainīt, nogādājot to kvalificētam servisa speciālistam

⚠ BRĪDINĀJUMS. Lai droši izmantotu šo izstrādājumu, nepieciešama izpratne par informāciju, kas norādīta uz instrumenta un šajā lietotāja rokasgrāmatā, kā arī zināšanas par darbu, ko vēlaties paveikt. Pirms šī izstrādājuma lietošanas iepazīstieties ar visām raksturīgajām darba funkcijām no drošības noteikumiem.

LIETOŠANA

⚠ BRĪDINĀJUMS. Neļaujiet, ka pieradums pie darba ar šo izstrādājumu, liek jums zaudēt uzmanību. Atcerieties, ka pat uzmanības novēršana uz sekundes daļu ir pietiekama, lai gūtu nopietnus ievainojumus.

⚠ BRĪDINĀJUMS. Vienmēr valkājiet aizsargbrilles ar sānu aizsargiem, kā arī dzirdes aizsarglīdzekļus. Šo noteikumu neievērošana var novest pie tā, ka jums acīs trāpa kādi priekšmeti, vai citiem nopietniem ievainojumiem.

⚠ BRĪDINĀJUMS. Lai novērstu nejašu ieslēgšanos, kas var radīt nopietnus ievainojumus, vienmēr pirms daļu uzstādīšanas, pārveidojumu veikšanas, tīrīšanas vai instrumenta nelietošanas laikā izņemiet no instrumenta akumulatoru.

⚠ BRĪDINĀJUMS. Neizmantojiet nekādus papildinājumus vai piederumus, kurus neiesaka EGO™. Šādu neapstiprinātu papildinājumu vai piederumu lietošana var radīt nopietnus ievainojumus.

Pirms katras lietošanas reizes pārbaudiet visu izstrādājumu, vai tam nav bojātas, trūkstošas vai valjīgas daļas, piemēram, skrūves, uzgriežņi, bultskrūves, vāciņi u.c. Droši pievelciet visus fiksatorus un vāciņus, kā arī nelietojiet šo izstrādājumu, kamēr visas trūkstošās vai bojātās daļas nav nomainītas.

PIELIETOJUMS

HT2410E: Šo izstrādājumu var izmantot, lai apgrieztu dzīvžogus, krūmājus un krūmus, kuru zaru diametrs nepārsniedz 26 mm (HT2410E) / 25 mm (HT2000E).

PIEZĪME. Šo rīku drīkst izmantot tikai paredzētajam mērķim. Izmantošana jebkādā citā veidā tiks uzskatīta par neatbilstošu lietošanu.

AKUMULATORA IEVIETOŠANA/IZŅEMŠANA

Izmantojiet tikai **A2 attēlā uzskaitītos akumulatora blokus un lādētājus.**

Pirms pirmās lietošanas uzlādējiet akumulatoru

Ievietošana (B att.)

Novietojiet akumulatora valnišus pretī uzstādīšanas slotiem un spiediet akumulatoru uz leju līdz dzirdat klikšķi.

Izņemšana (C att.)

Nospiediet akumulatora atbrīvošanas pogu un izņemiet akumulatoru.

⚠ BRĪDINĀJUMS. Pirms akumulatora atbrīvošanas pogas nospiešanas vienmēr pārliecinieties, kur atrodas jūsu kājas, bērni vai mājdzīvnieki. Akumulatora krišanas gadījumā varat gūt nopietnus ievainojumus. **NEKAD** neizņemiet akumulatoru, ja atrodaties augstumā.

KĀ PAREIZI TURĒT DZĪVŽOGU APGRIEŠANAS MAŠĪNU (D, E un F att.)

Ierīcei ir priekšējais un aizmugurējais rokturis. Turiet ierīci aiz abiem rokturiem tā lai, asmens būtu vērsts projām no jums. Slēdža sviru priekšējā rokturī var aktivizēt jebkurā no trim sāniem, tādējādi griešanas laikā ir vairāk iespēju ērtai satveršanai.

⚠ BRĪDINĀJUMS. Vienmēr turiet abas rokas uz dzīvžogu apgriešanas mašīnas rokturiem. Nekad, strādājot ar dzīvžogu apgriešanas mašīnu, neturiet zarus ar vienu roku, bet dzīvžogu trimmeri — ar otru. Šī norādījuma neievērošana var radīt nopietnus ievainojumus.

DZĪVŽOGU APGRIEŠANAS MAŠĪNAS IESLĒGŠANA/IZSLĒGŠANA

Pirms lietošanas noņemiet aizsargu un satveriet dzīvžogu apgriešanas mašīnu ar abām rokām — ar vienu satveriet priekšējo rokturi, savukārt ar otru — aizmugurējo rokturi. Tad pārliecinieties, ka stāvat stabili, taisni un ievērojiet atbilstošu griešanas attālumu.

Ieslēgšana

1. Ievietojiet akumulatoru bloku.

2. Ar vienu roku nospiediet un turiet slēdža sviru priekšējā rokturī.
3. Ar otras rokas īkšķi turiet nospiestu bloķēšanas pogu un pēc tam ar pirkstiem saspiediet aizmugurējo slēdža sviru, lai iedarbinātu dzīvžogu apgriešanas mašīnu. Atbrīvojiet atbloķēšanas pogu un turpiniet spiest palaišanas slēdzi, lai ierīce darbotos nepārtraukti.

Apturēšana

Pārvietojiet dzīvžogu apgriešanas mašīnu projām no griešanas zonas un, lai apturētu dzīvžogu apgriešanas mašīnu, atbrīvojiet aizmugurējo sviru.

⚠ BRĪDINĀJUMS. Darba pārtraukums un pēc darba pabeigšanas vienmēr izņemiet akumulatoru bloku no dzīvžogu apgriešanas mašīnas.

DZĪVŽOGU TRIMMERA IZMANTOŠANA

⚠ BRĪDINĀJUMS. Ja asmens saķīlējas ar jebkādu elektrisko vadu vai līniju, **NEPIESKARIETIES ASMENIM! TAS VAR KĻŪT ELEKTRIZĒTS UN ĻOTI BĪSTAMS.** Turpiniet turēt dzīvžogu trimmeri aiz izolētā aizmugurējā roktura vai drošā veidā nolieciet to uz zemes un projām no sevis. Pirms mēģiniet atbrīvot asmeni no līnijas vai vada atvienojiet strāvas padevi bojātajai līnijai vai vadam. Šo noteikumu neievērošana var radīt nopietnus ievainojumus vai pat nāvi.

⚠ BRĪDINĀJUMS. Necentieties vienā reizē apgriezt pārāk daudz vai apgriezt lielākus krūmājus. Tas var likt asmeņiem saķerties un darboties lēnāk, samazinot griešanas efektivitāti.

PIEZĪME! Apgriešanas mašīna ir paredzēta zaru apgriešanai, kuri nav biezāki par (26 mm).

PIEZĪME. Jaunām audzēm piemērota griešana ar plašiem vēzieniem, kur zari nonāk tiešā saskarē ar griešanas asmeni. Vecākām audzēm zāgēšanas kustība ir piemērota biezāko zaru apgriešanai. Ieteicams lielākos zarus vispirms nozāgēt ar rokas zāģi vai krūmu zāģi.

Augšpusē apgriešana

Izmantojiet griešanu ar plašiem vēzieniem. Labākiem rezultātiem griešanas asmeņus sagāziet nedaudz uz leju kustības virzienā. Tāpat varat izmantot špori, lai nodrošinātu vienmērīgu dzīvžoga līmeni, kā parādīts G attēlā.

Sānu apgriešana

Apgriežot dzīvžoga sānus, sāciet no apakšas un grieziet uz augšu, kā parādīts H attēlā. Grieziet dzīvžogu gar sāniem, līdz tā augšpuse kļūst šaurāka. Ja dzīvžogam būs šāda forma, tad lielākā daļa dzīvžoga saņems vairāk saules gaismas, kas nodrošinās vienmērīgāku augšanu.

LV

APKOPE

⚠ BRĪDINĀJUMS. Veicot iekārtas apkopi, izmantojiet tikai identiskas rezerves daļas. Jebkuru citu daļu izmantošana var radīt apdraudējumu vai izstrādājuma bojājumus. Lai nodrošinātu drošu un uzticamu darbību, visi labošanas darbi jāveic kvalificētam servisa tehniķim.

⚠ BRĪDINĀJUMS. Lai novērstu nopietnu ievainojumu gušanas risku, pirms iekārtas tīrīšanas vai apkopes darbu veikšanas izņemiet akumulatoru.

TĪRĪŠANA

- Izmantojiet mīkstu suku, lai notīrītu grauzu no visām gaisa ievades atverēm un griešanas asmens.
- Lai notīrītu darvu un citas lipīgas nogulsnes, apsmidziniet asmeni ar sveķu šķīdinātāju. Īsu brīdi padarbiniet dzinēju, lai šķīdinātājs tiek vienmērīgi uzklāts.
- Noslaukiet virsmu ar sausu drānu.

⚠ BRĪDINĀJUMS. Trimmera tīrīšanai nekad neizmantojiet ūdeni. Plastmasa daļu tīrīšanai neizmantojiet šķīdinātājus. Lielākā daļa plastmasas daļu gūst bojājumus no dažāda veida komerciālajiem šķīdinātājiem. Izmantojiet tīras drānas, lai notīrītu netīrumus, putekļus, eļļu, taukus u.c.

GRIEŠANAS ASMENS UZASINĀŠANA

1. Ieslēdziet un izslēdziet dzīvzogu apgriešanas mašīnu tā, lai griezējasmens un aizsargs nedaudz novirzītos viens no otra, kā tas parādīts 1 attēlā. Tādējādi vilēšanas laikā būs lielāks attālums starp griezēja zobiem un zobu aizsargu.
2. Izņemiet no dzīvzogu apgriešanas mašīnas akumulatoru bloku.
3. Iespīlējiet asmens sistēmu skrūvspīlēs un novīlējiet katra asmens zoba neuzasināto griešanas virsmu. Centieties novīlēt pēc iespējas mazāk materiāla. Vilēšanas laikā noteikti saglabājiet katru zoba sākotnējo leņķi.
4. Izņemiet dzīvzogu apgriešanas mašīnu no skrūvspīlēm, ieslēdziet un apturiet tā, lai varētu novīlēt neuzasinātās asmens zobu malas.
5. Izņemiet akumulatoru bloku un atkārtojiet iepriekš minēto asināšanas procedūru.

PIEZĪME. Nelietojiet dzīvzogu trimmeri, ja tā griešanas asmeņi ir trūli vai bojāti. Darbošanās šādā stāvoklī var radīt pārslodzi un neapmierinošus griešanas rezultātus.

ASMENS EĻĻOŠANA (J. att.)

Lai nodrošinātu labāko darbu un garāku asmens kalpošanas ilgumu, pirms un pēc katras lietošanas reizes ieeļļojiet dzīvzogu trimmera asmeni ar vieglu mašīneļļu.

Izņemiet akumulatoru bloku un nolieciet apgriešanas mašīnu uz līdzenas virsmas. Uzklājiet eļļu uz augšējā asmens malas.

PIEZĪME. Lai paildzinātu lietošanas ilgumu, griešanas darbu laikā eļļojiet asmeni.

⚠ BRĪDINĀJUMS. Neveiciet eļļošanas darbus, kamēr dzīvzogu trimmers darbojas.

TRANSPORTEŠANA UN UZGLABĀŠANA

- Vienmēr pirms dzīvzogu apgriešanas mašīnas novietošanas glabāšanā vai transportēšanas uzlieciet asmenim aizsargu. Rīkojieties uzmanīgi, lai izvairītos no asajiem asmens zobiem.
- Pirms novietošanas glabāšanā rūpīgi notīriet dzīvzogu trimmeri.
- Uzglabājiet dzīvzogu trimmeri iekšstelpās, sausā un bērniem nepieejamā vietā.
- Sargājiet no kodīgām vielām, piemēram, dārzā lietojamajām ķīmikālijām un atledošanas sāls.

⚠ BRĪDINĀJUMS. Asmeņi ir asi. Darbojoties ap asmeņu sistēmu, valkājiet neslīdošus augstākās aizsardzības pakāpes aizsargcimdus. Nenovietojiet savas rokas vai pirkstus starp asmeņiem vai jebkurā citā pozīcijā, kur tie var tikt sadurti vai sagriezti. NEKAD nepieskarieties asmeņiem vai neveiciet iekārtas apkopi, kamēr nav izņemts akumulators.

Apkārtējās vides aizsardzība



Neutilizējiet elektrisko aprīkojumu, izlietoto akumulatoru un lādētāju sadzīves atkritumos! Nogādājiet šo izstrādājumu uz pilnvarotu pārstrādes punktu un sagatavojiet atkritumu šķirošanai. Elektriskos instrumentus jānogādā videi nekaitīgā pārstrādes rūpnīcā.

KLŪDU NOVĒRSANA

PROBLĒMA	CĒLONIS	RISINĀJUMS
DZĪVŽOGU APGRIEŠANAS MAŠĪNA NEDARBOJAS.	<ul style="list-style-type: none"> ■ Dzīvžogu trimmerī nav ievietots akumulators. ■ Starp trimmeri un akumulatoru nav elektriskā savienojuma. ■ Akumulators ir izlādējies. ■ Akumulators ir pārāk karsts. ■ Dzīvžogu trimmers ir pārāk karsts. ■ Priekšējā un aizmugurējā slēdža sviras netiek nospiestas vienlaicīgi. ■ Asmens ir saķīlējies. 	<ul style="list-style-type: none"> ■ Ievietojiet dzīvžogu trimmerī akumulatoru. ■ Izņemiet akumulatoru, pārbaudiet visus savienojumus un pēc tam ievietojiet atpakaļ akumulatoru. ■ Nomainiet akumulatoru. ■ Izņemiet akumulatoru no rīka un ļaujiet tam atdzist līdz temperatūra nokrītas zemāk par 67 °C. ■ Atlaidiet abas slēdža sviras un ļaujiet apgriešanas mašīnai atdzist, līdz temperatūra nokrītas līdz normālai temperatūrai. ■ Vispirms nospiediet bloķēšanas pogu un vienlaikus nospiediet slēdža sviras priekšējā un aizmugurējā rokturī. ■ Izņemiet no rīka akumulatoru, pēc tam uzmanīgi noņemiet traucēkli un tad ievietojiet atpakaļ akumulatoru un atkārtoti ieslēdziet rīku.
PĀRMĒRĪGA VIBRĀCIJA VAI TROKSNIS.	<ul style="list-style-type: none"> ■ Sausi vai sarūsējuši asmeņi. ■ Asmeņi vai asmens atbalsts ir saliekts. ■ Saliekti vai bojāti zobi. ■ Atskrūvējiet asmens bultskrūves. 	<ul style="list-style-type: none"> ■ Ieļļojiet asmeņus, kā norādīts šīs rokasgrāmatas nodaļā „ASMENS EĻĻOŠANA”. ■ Nomainiet pret jaunu asmeni vai atbalstu. Sazinieties ar EGO klientu apkalpošanas centru par asmens vai atbalsta nomaiņšanu. ■ Nomainiet pret jaunu asmeni. Sazinieties ar EGO klientu apkalpošanas centru par asmens nomaiņšanu. ■ Pievelciet asmens bultskrūves. Lai pievilktu bultskrūvi, ar uzgriežņu atslēgu pagrieziet bultskrūvi pulksteņa rādītāju kustības virzienā.

LV

GARANTĪJA

EGO GARANTĪJAS POLITIKA

Lūdzu apmeklējiet tīmekļa vietni egopowerplus.com, lai iepazītos ar pilniem EGO garantijas politikas noteikumiem.

ΔΙΑΒΑΣΤΕ ΟΛΕΣ ΤΙΣ ΟΔΗΓΙΕΣ!



ΔΙΑΒΑΣΤΕ ΤΟ ΕΓΧΕΙΡΙΔΙΟ ΧΡΗΣΗΣ

⚠️ ΠΡΟΕΙΔΟΠΟΙΗΣΗ: Υπολειπόμενοι κίνδυνοι! Άνθρωποι που φέρουν ηλεκτρονικές συσκευές όπως βηματοδότες πρέπει να συμβουλευούνται τους γιατρούς τους, πριν τη χρήση αυτού του προϊόντος. Η λειτουργία ηλεκτρολογικού εξοπλισμού κοντά σε βηματοδότη μπορεί να προκαλέσει παρεμβολές ή βλάβη στο βηματοδότη.

⚠️ ΠΡΟΕΙΔΟΠΟΙΗΣΗ: Προκειμένου να διασφαλιστεί η ασφάλεια και η αξιοπιστία, όλες οι επισκευές και οι αντικαταστάσεις πρέπει να πραγματοποιούνται από εξειδικευμένο τεχνικό σέρβις.

ΣΥΜΒΟΛΑ ΑΣΦΑΛΕΙΑΣ

⚠️ ΠΡΟΕΙΔΟΠΟΙΗΣΗ: Η λειτουργία ηλεκτρικών εργαλείων μπορεί να προκαλέσει την εκτόξευση ξένων αντικειμένων στα μάτια σας, με αποτέλεσμα σοβαρό τραυματισμό. Πρωτό ξεκινήσετε τη χρήση του ηλεκτρικού εργαλείου, φοράτε πάντα προστατευτικά γυαλιά ή γυαλιά με πλευρική προστασία και, εφόσον απαιτείται, πλήρη προστατευτική προσωπίδα. Συνιστούμε μια προσωπίδα ασφαλείας ευρείας όρασης, για χρήση πάνω από γυαλιά ή τα συνήθη προστατευτικά γυαλιά με πλευρική προστασία.



Προειδοποίηση ασφαλείας



Προκειμένου να μειωθεί ο κίνδυνος τραυματισμού, ο χρήστης πρέπει να διαβάσει το εγχειρίδιο χρήσης.



Να μη χρησιμοποιείται στη βροχή και να μη παραμένει σε εξωτερικό χώρο όταν βρέχει.



Εγγυημένη στάθμη ηχητικής ισχύος. Εκπομπές θορύβου στο περιβάλλον σύμφωνα με την οδηγία της Ευρωπαϊκής Ένωσης.



Αυτό το προϊόν συμμορφώνεται με τις εφαρμοστές οδηγίες της ΕΚ.



Τα απόβλητα ειδών ηλεκτρικού και ηλεκτρονικού εξοπλισμού δεν πρέπει να απορρίπτονται στα οικιακά απορρίμματα. Παραδώστε τα σε εξουσιοδοτημένη μονάδα ανακύκλωσης.

GR



Φοράτε πάντοτε προστατευτικά γυαλιά ή γυαλιά ασφαλείας με πλευρική προστασία και πλήρη προστατευτική προσωπίδα κατά τη λειτουργία αυτού του προϊόντος.



Ποτέ μην προσπαθείτε να χειρίζεστε το ηλεκτρικό εργαλείο με το ένα χέρι. Απώλεια του ελέγχου του ηλεκτρικού εργαλείου μπορεί να επιφέρει σοβαρό ή θανατηφόρο τραυματισμό. Για να μειώσετε τον κίνδυνο τραυματισμών κοπής διατηρείτε τα χέρια και τα πόδια μακριά από το εργαλείο κοπής. Ποτέ μην αγγίζετε ένα κινούμενο εργαλείο κοπής με το χέρι ή με οποιοδήποτε άλλο τμήμα του σώματός σας.



Το μήκος της λεπίδας



Μέγ. ικανότητα κοπής της λεπίδας

V Τάση

Συνεχές ρεύμα

.../min Ανά λεπτό

mm Χιλιοστό

cm Εκατοστό

n_0 Ταχύτητα χωρίς φορτίο

ΠΡΟΔΙΑΓΡΑΦΕΣ

Μοντέλο	HT2410E	HT2000E	
Τάση	56 V $\overline{\text{---}}$	56 V $\overline{\text{---}}$	
Ταχύτητα χωρίς φορτίο	1500/λεπτό	1500/λεπτό	
Μήκος λεπίδας	61 cm	51 cm	
Ικανότητα κοπής	26 mm	25 mm	
Βάρος (χωρίς συστοιχία μπαταριών, θήκη αλυσίδας)	3,1 kg	2,9 kg	
Προτεινόμενη θερμοκρασία λειτουργίας	0°C-40°C	0°C-40°C	
Προτεινόμενη θερμοκρασία αποθήκευσης	-20°C-70°C	-20°C-70°C	
Μετρημένο επίπεδο ισχύος ήχου L_{WA}	94,47 dB(A) K=1,5 dB(A)	91,24 dB(A) K=1,03 dB(A)	
Στάθμη ηχητικής πίεσης στη θέση του χειριστή L_{PA}	83,9 dB(A) K=3,0 dB(A)	80,62 dB(A) K=3,0 dB(A)	
Εγγυημένο επίπεδο ισχύος ήχου L_{WA} (σύμφωνα με 2000/14/EC)	96 dB(A)	92 dB(A)	
Δονήσεις a_h	Μπροστινή λαβή	1,8 m/s ² K=1,5 m/s ²	2,195 m/s ² K=1,5 m/s ²
	Οπίσθια λαβή	1,7 m/s ² K=1,5 m/s ²	1,836 m/s ² K=1,5 m/s ²

- Η αναφερόμενη συνολική τιμή κραδασμών έχει μετρηθεί σύμφωνα με την πρότυπη μέθοδο ελέγχου και μπορεί να χρησιμοποιηθεί για τη σύγκριση ενός εργαλείου με κάποιο άλλο.
- Η αναφερόμενη συνολική τιμή κραδασμών μπορεί να χρησιμοποιηθεί επίσης για την προκαταρκτική αξιολόγηση της έκθεσης.

ΣΗΜΕΙΩΣΗ: Οι εκπομπές κραδασμών κατά τη διάρκεια της πραγματικής χρήσης του ηλεκτρικού εργαλείου μπορεί να διαφέρουν από τη δηλωμένη τιμή στην οποία χρησιμοποιείται το εργαλείο. Για την προστασία του χειριστή, πρέπει να χρησιμοποιούνται γάντια και προστασία της ακοής στις πραγματικές συνθήκες χρήσης.

ΚΑΤΑΛΟΓΟΣ ΕΞΑΡΤΗΜΑΤΩΝ ΣΥΣΚΕΥΑΣΙΑΣ (ΕΙΚ. Α1)

ΠΕΡΙΓΡΑΦΗ

ΓΝΩΡΙΣΤΕ ΤΟ ΘΑΜΝΟΚΟΠΤΙΚΟ ΣΑΣ (Εικ. Α1)

1. Οπή ανάρτησης
2. Προστατευτικό ακμής
3. Λεπίδα
4. Προστατευτικό χεριών
5. Μπροστινή χειρολαβή
6. Κουμπί ασφάλισης
7. Οπίσθια λαβή
8. Κουμπί απελευθέρωσης της μπαταρίας
9. Μάνταλο
10. Ηλεκτρικές επαφές
11. Υποδοχή τοποθέτησης μπαταρίας
12. Εξαγωγή μπαταρίας
13. Πίσω διακόπτης
14. Μπροστινός διακόπτης
15. Οπή ανάρτησης
16. Προστατευτικό λεπίδας

⚠️ ΠΡΟΕΙΔΟΠΟΙΗΣΗ: Το προϊόν αυτό αποστέλλεται πλήρως συναρμολογημένο. Το προστατευτικό χεριών δεν πρέπει ποτέ να απομακρύνεται κατά τη χρήση. Εάν προκληθεί ζημιά, αναθέστε αμέσως την αντικατάσταση του από έναν εξειδικευμένο τεχνικό του σέρβις.

⚠️ ΠΡΟΕΙΔΟΠΟΙΗΣΗ: Η ασφαλής χρήση του προϊόντος απαιτεί την πλήρη κατανόηση των πληροφοριών που υπάρχουν επάνω στο μηχανήμα, όπως και μέσα στο εγχειρίδιο χρήσης, όπως και τη γνώση της εργασίας που θα προσπαθήσετε να εκτελέσετε. Πριν από τη χρήση του προϊόντος, εξοικειωθείτε με όλα τα χαρακτηριστικά λειτουργίας, όπως και τους κανόνες ασφαλείας.

ΛΕΙΤΟΥΡΓΙΑ

⚠️ ΠΡΟΕΙΔΟΠΟΙΗΣΗ: Η εξοικείωσή σας με αυτό το προϊόν δε θα πρέπει να σας κάνει λιγότερο προσεκτικούς. Θυμηθείτε πως ένα κλάσμα δευτερολέπτου απροσεξίας μπορεί να προκαλέσει σοβαρό τραυματισμό.

⚠️ ΠΡΟΕΙΔΟΠΟΙΗΣΗ: Φοράτε πάντα προστασία για τα μάτια με πλαϊνά προστατευτικά. Σε αντίθετη περίπτωση, είναι πιθανό να υπάρξει εκτόξευση αντικειμένων στα μάτια σας και άλλοι πιθανοί σοβαροί τραυματισμοί.

⚠️ ΠΡΟΕΙΔΟΠΟΙΗΣΗ: Για να εμποδίσετε τυχαία εκκίνηση που θα μπορούσε να προκαλέσει σοβαρό ατομικό τραυματισμό, απομακρύνετε πάντα τη συστοιχία μπαταριών από το εργαλείο όταν συναρμολογείτε εξαρτήματα, διεξάγετε ρυθμίσεις, καθαρισμό ή σε περίπτωση μη χρήσης.

GR

⚠️ ΠΡΟΕΙΔΟΠΟΙΗΣΗ: Μη χρησιμοποιείτε εξαρτήματα που δε συνιστώνται από τον κατασκευαστή αυτού του προϊόντος. Η χρήση παρελκόμενων ή εξαρτημάτων που δε συνιστώνται από τον κατασκευαστή, ενέχει τον κίνδυνο σοβαρού τραυματισμού.

Πριν από κάθε χρήση, επιθεωρείτε ολόκληρο το προϊόν για κατεστραμμένα ή λασκαρισμένα εξαρτήματα ή εξαρτήματα που λείπουν, όπως βίδες, παξιμάδια, βίδες, καπάκια, κλπ. Σφίξτε καλά όλους τους σφικτήρες και τα καπάκια, και μη χρησιμοποιήσετε αυτό το προϊόν πριν να αντικατασταθούν όλα τα εξαρτήματα που λείπουν ή αυτά που έχουν καταστραφεί.

ΕΦΑΡΜΟΓΗ

HT2410E: Μπορείτε να χρησιμοποιήσετε αυτό το προϊόν για την κοπή φρακτών από θάμνους με θάμνους με διάμετρο κλαδιού μικρότερη από $\varnothing 26\text{mm}$ (HT2410E) / $\varnothing 25\text{mm}$ (HT2000E).

ΣΗΜΕΙΩΣΗ: Το εργαλείο πρέπει να χρησιμοποιείται αποκλειστικά για τη σκοπούμενη χρήση. Οποιαδήποτε άλλη χρήση θα χαρακτηριστεί ως περίπτωση κακής χρήσης.

ΤΟΠΟΘΕΤΗΣΗ/ΑΠΟΜΑΚΡΥΝΣΗ ΤΗΣ ΣΥΣΤΟΙΧΙΑΣ ΜΠΑΤΑΡΙΩΝ

Να χρησιμοποιείται μόνο με τις συστοιχίες μπαταριών και τους φορτιστές που αναφέρονται στην Εικ. A2.

Φόρτιση πριν από την πρώτη χρήση.

Για την εγκατάσταση (Εικ. B)

Ευθυγραμμίστε τις νευρώσεις μπαταρίας με τις οπές τοποθέτησης και πιέστε τη συστοιχία μπαταριών, έως ότου ακούσετε ένα «κλικ».

GR

Για την απομάκρυνση (Εικ. C)

Πιέστε το κουμπί αποδέσμευσης μπαταρίας και βγάλτε έξω τη συστοιχία μπαταριών.

⚠️ ΠΡΟΕΙΔΟΠΟΙΗΣΗ: Να προσέχετε πάντα την τοποθεσία των ποδιών σας, παιδιών ή κατοικιδίων όταν πιέζετε το κουμπί αποδέσμευσης μπαταρίας. Μπορεί να συμβεί σοβαρός τραυματισμός εάν πέσει κάτω η συστοιχία μπαταριών. ΠΟΤΕ μην απομακρύνετε τη συστοιχία μπαταριών σε υψηλότερο σημείο.

ΠΩΣ ΚΡΑΤΑΤΕ ΤΟ ΘΑΜΝΟΚΟΠΤΙΚΟ (Εικ. D, E & F)

Η μονάδα διαθέτει μια μπροστινή και πίσω λαβή. Με τη λεπίδα να βλέπει μακριά από εσάς, κρατάτε τη μονάδα και με τα δύο χέρια. Ο διακόπτης στην μπροστινή χειρολαβή ενεργοποιείται σε οποιαδήποτε από τις τρεις πλευρές

παρέχοντας σας πολλές επιλογές για ένα άνετο κράτημα κατά τη διεξαγωγή εργασιών κοπής.

⚠️ ΠΡΟΕΙΔΟΠΟΙΗΣΗ: Να έχετε πάντα και τα δύο χέρια στις λαβές του θαμνοκοπτικού. Ποτέ μην κρατάτε τους θάμνους με το ένα χέρι ενώ χειρίζεστε το θαμνοκοπτικό με το άλλο χέρι. Η μη τήρηση αυτής της προειδοποίησης μπορεί να έχει ως αποτέλεσμα σοβαρό τραυματισμό.

ΕΝΑΡΞΗ/ΣΤΑΜΑΤΗΜΑ ΤΟΥ ΘΑΜΝΟΚΟΠΤΙΚΟΥ

Πριν χρησιμοποιήσετε το εργαλείο, αφαιρέστε το προστατευτικό και κρατήστε το θαμνοκοπτικό και με τα δύο χέρια, το ένα χέρι στην πίσω λαβή και το άλλο στην μπροστινή λαβή. Κατόπιν βεβαιωθείτε ότι στέκεστε με ισορροπία, κάθετα και σε σωστή απόσταση κοπής.

Έναρξη

1. Εγκαταστήστε τη συστοιχία μπαταριών.
2. Πιέστε καλά και κρατήστε τον διακόπτη στην μπροστινή χειρολαβή με το ένα χέρι.
3. Πιέστε και κρατήστε το κουμπί ασφάλισης με τον αντίχειρα του άλλου σας χεριού, κατόπιν πιέστε τον πίσω διακόπτη με τα δάχτυλά σας για να εκκινήσετε το θαμνοκοπτικό. Αποδεσμεύστε το κουμπί ασφάλισης και συνεχίστε να πιέζετε τη σκανδάλη για συνεχή λειτουργία.

Σταμάτημα

Μετακινήστε το θαμνοκοπτικό μακριά από τον τομέα κοπής και αποδεσμεύστε τον πίσω διακόπτη για να σταματήσετε το θαμνοκοπτικό.

⚠️ ΠΡΟΕΙΔΟΠΟΙΗΣΗ: Πάντα απομακρύνετε τη συστοιχία μπαταριών από το θαμνοκοπτικό κατά τη διάρκεια διαλειμμάτων και μετά την ολοκλήρωση της εργασίας.

ΧΡΗΣΗ ΤΟΥ ΘΑΜΝΟΚΟΠΤΙΚΟΥ

⚠️ ΠΡΟΕΙΔΟΠΟΙΗΣΗ: Αν η λεπίδα φρακάρει σε ηλεκτρικό καλώδιο ή γραμμή, **ΜΗΝ ΤΗΝ ΑΓΓΙΞΕΤΕ! ΜΠΟΡΕΙ ΝΑ ΚΑΤΑΣΤΕΙ ΗΛΕΚΤΡΟΦΟΡΑ ΚΑΙ ΠΟΛΥ ΕΠΙΚΙΝΔΥΝΗ.** Συνεχίστε να κρατάτε το θαμνοκοπτικό από τη μονωμένη πίσω λαβή ή ακουμπήστε το κάτω με ασφαλή τρόπο και απομακρυνθείτε από αυτό. Διακόψτε το ρεύμα στην κατεστραμμένη γραμμή ή το καλώδιο πριν επιχειρήσετε να ελευθερώσετε τη λεπίδα από τη γραμμή ή το καλώδιο. Η μη τήρηση αυτής της προειδοποίησης θα έχει ως αποτέλεσμα σοβαρό ατομικό τραυματισμό ή πιθανό θάνατο.

⚠️ ΠΡΟΕΙΔΟΠΟΙΗΣΗ: Αποφεύγετε μεγάλες κοπές μονομιάς ή μέσα από την πυκνή διάταξη θάμνων. Έτσι θα δυσκολευτεί η κίνηση των λεπίδων και θα είναι αργή με αποτέλεσμα να μειωθεί η απόδοση κοπής.

ΣΗΜΕΙΩΣΗ: Το θαμνοκοπτικό πρέπει να χρησιμοποιείται για την κοπή κοτσανιών πάχους μικρότερου από (26 mm).

ΣΗΜΕΙΩΣΗ: Για νέους θάμνους είναι κατάλληλη μια πλατιά σαρωτική κίνηση για τα κοτσάνια ώστε να τροφοδοτούνται άμεσα στη λεπίδα κοπής. Για παλαιότερους θάμνους είναι καλή μια κίνηση κοπής για την κοπή χοντρότερων κοτσανιών. Συστήνεται ένα πριόνι χειρός ή πριόνι κλαδέματος για την κοπή πρώτα μεγάλων κοτσανιών.

Κοπή από επάνω

Χρησιμοποιείτε μια πλατιά σαρωτική κίνηση. Μια ελαφριά καθοδική κλίση των λεπίδων κοπής στον κατεύθυνση της κίνησης παρέχει τα καλύτερα αποτελέσματα κοπής. Για καλύτερα αποτελέσματα κοπής μπορείτε επίσης να χρησιμοποιήσετε το νήμα για την καθοδήγηση του επιπέδου θάμνου όπως φαίνεται στην Εικ. G.

Πλαϊνή κοπή

Κατά την κοπή των πλαϊνών ενός θάμνου, ξεκινάτε στο κάτω μέρος και κόβετε προς τα επάνω όπως φαίνεται στην Εικ. Η. Κόψτε στα πλάγια ενός θάμνου έτσι ώστε να είναι λίγο πιο λεπτό το άνω μέρος. Αυτό το σχήμα θα εκθέτει μεγαλύτερο μέρος από το θάμνο στο ηλιακό φως με αποτέλεσμα πιο ομοιόμορφη ανάπτυξη.

ΣΥΝΤΗΡΗΣΗ

⚠️ ΠΡΟΕΙΔΟΠΟΙΗΣΗ: Όταν κάνετε συντήρηση του εργαλείου, χρησιμοποιείτε μόνο ίδια ανταλλακτικά. Η χρήση οποιωνδήποτε άλλων εξαρτημάτων μπορεί να προκαλέσει κίνδυνο ή υλικές ζημιές. Για να διασφαλίσετε την ασφάλεια και την αξιοπιστία, όλες οι επισκευές πρέπει να διεξάγονται από εξειδικευμένο τεχνικό του σέρβις.

⚠️ ΠΡΟΕΙΔΟΠΟΙΗΣΗ: Για την αποφυγή σοβαρού ατομικού τραυματισμού, αφαιρείτε πάντοτε τη συστοιχία μπαταριών από το προϊόν πριν από τον καθαρισμό του ή πριν από οποιαδήποτε συντήρηση.

ΚΑΘΑΡΙΣΜΟΣ

- Χρησιμοποιείτε μια μαλακιά βούρτσα για την απομάκρυνση υπολειμμάτων από όλες τις εισόδους αέρα και από τη λεπίδα κοπής.
- Για να απομακρύνετε υπολείμματα που κολλάνε, ψεκάστε τις λεπίδες με διάλυμα ρητίνης. Θέστε σε σύντομη λειτουργία τον κινητήρα έτσι ώστε το διάλυμα να μοιραστεί ομοιόμορφα.
- Σκουπίστε την επιφάνεια με ένα στεγνό πανί.

⚠️ ΠΡΟΕΙΔΟΠΟΙΗΣΗ: Ποτέ μη χρησιμοποιείτε νερό για τον καθαρισμό του θαμνοκοπτικού σας. Αποφύγετε τη χρήση διαλυτών κατά τον καθαρισμό των πλαστικών εξαρτημάτων. Τα περισσότερα πλαστικά είναι ευπαθή στη χρήση διαφόρων τύπων διαλυτών του εμπορίου. Χρησιμοποιείτε καθαρά πανιά για την απομάκρυνση βρωμιάς, σκόνης, λαδιού, γράσου κλπ.

ΑΚΟΝΙΣΜΑ ΤΗΣ ΛΕΠΙΔΑΣ ΚΟΠΗΣ

1. Εκκινείτε και σταματάτε το θαμνοκοπτικό σας μέχρι η λεπίδα κοπής και το προστατευτικό να είναι λίγο μετατοπισμένη όπως φαίνεται στην Εικ. Ι. Έτσι θα υπάρχει ένα κενό για τη λίμα ανάμεσα στην οδόντωση κόφτη και την προστατευτική οδόντωση.
2. Αφαιρείτε τη συστοιχία μπαταριών από το ψαλίδι μπορντούρας.
3. Τοποθετήστε τη διάταξη της λεπίδας σε μια μέγερνη και ακονίστε την εκτεθειμένη επιφάνεια κοπής κάθε οδόντωσης της λεπίδας. Αφαιρέστε όσο το δυνατό λιγότερο υλικό. Βεβαιώνεστε ότι διατηρείτε την αρχική γωνία κάθε οδόντωσης κατά το λιμάρισμα.
4. Απομακρύνετε το θαμνοκοπτικό από τη μέγερνη. Επανεκκινήστε και σταματήστε το για να εκθέσετε τις μη ακονισμένες ακμές της οδόντωσης λεπίδας.
5. Απομακρύνετε τη συστοιχία μπαταριών και επαναλάβετε την ανωτέρω διαδικασία ακονίσματος.

ΣΗΜΕΙΩΣΗ: Μη χρησιμοποιήστε το θαμνοκοπτικό σας με στομωμένες ή φθαρμένες λεπίδες κοπής. Μπορεί να προκληθεί υπερφόρτωση και τα αποτελέσματα κοπής να είναι απογοητευτικά.

ΛΙΠΑΝΣΗ ΤΗΣ ΛΕΠΙΔΑΣ (Εικ. J)

Για καλύτερη εργασία και μεγαλύτερη διάρκεια ζωής των λεπίδων, λιπαίνετε τη λεπίδα του θαμνοκοπτικού με ελαφρύ λάδι μηχανίων πριν και μετά από κάθε χρήση. Απομακρύνετε τη συστοιχία μπαταριών και τοποθετήστε το θαμνοκοπτικό επάνω σε μια επίπεδη επιφάνεια. Εφαρμόστε το λάδι κατά μήκος της ακμής στην επάνω λεπίδα.

ΣΗΜΕΙΩΣΗ: Για επιμήκυνση της διάρκειας ζωής λαδώνετε τη λεπίδα κατά τη διάρκεια της λειτουργίας κοπής.

⚠️ ΠΡΟΕΙΔΟΠΟΙΗΣΗ: Μη λαδώνετε όταν το θαμνοκοπτικό είναι σε λειτουργία.

ΜΕΤΑΦΟΡΑ ΚΑΙ ΑΠΟΘΗΚΕΥΣΗ

- Τοποθετείτε πάντα το προστατευτικό στη λεπίδα πριν αποθηκεύσετε ή μεταφέρετε το θαμνοκοπτικό. Προσέχετε τα αιχμηρά δόντια της λεπίδας.

- Καθαρίστε το αλυσοπρίονο επιμελώς πριν από την αποθήκευση. Αποθηκεύστε το αλυσοπρίονο σε εσωτερικό, στεγνό χώρο που κλειδώνει και όπου δεν πλησιάζουν παιδιά.
- Κρατάτε το μακριά από διαβρωτικά προϊόντα, όπως χημικά και αποπαγωτικά άλατα κήπου.
- Κρατάτε το μακριά από διαβρωτικά προϊόντα, όπως χημικά και αποπαγωτικά άλατα κήπου.

⚠ ΠΡΟΕΙΔΟΠΟΙΗΣΗ: Οι λεπίδες είναι αιχμηρές. Όταν χειρίζεστε το συγκρότημα λεπίδας, φοράτε αντιολισθητικά, ανθεκτικά προστατευτικά γάντια. Μην τοποθετείτε το χέρι ή τα δάχτυλά σας μεταξύ των λεπίδων ή σε οποιαδήποτε θέση όπου μπορεί να μαγκωθούν ή κοπούν. ΠΟΤΕ μην αγγίζετε τις λεπίδες ή μην συντηρείτε τη μονάδα με εγκατεστημένη τη συστοιχία μπαταριών.

Προστασία του περιβάλλοντος



Μη απορρίπτετε ηλεκτρικό εξοπλισμό, παλιές μπαταρίες και φορτιστές στα οικιακά απορρίμματα! Μεταφέρετε αυτό το προϊόν σε εξουσιοδοτημένο κέντρο ανακύκλωσης και παραδώστε το για ξεχωριστή συλλογή. Τα ηλεκτρικά εργαλεία πρέπει να επιστρέφονται σε περιβαλλοντικά συμβατή μονάδα ανακύκλωσης..

KEES VAN DER SPEK
TUINMACHINES ★ STOLWIJK

GR

ΑΝΤΙΜΕΤΩΠΙΣΗ ΠΡΟΒΛΗΜΑΤΩΝ

ΠΡΟΒΛΗΜΑ	ΑΙΤΙΑ	ΕΠΙΛΥΣΗ
ΤΟ ΘΑΜΝΟ-ΚΟΠΤΙΚΟ ΔΕΝ ΛΕΙΤΟΥΡΓΕΙ.	<ul style="list-style-type: none"> ■ Η συστοιχία μπαταριών δεν έχει προσαρτηθεί στο θαμνοκοπτικό. ■ Δεν υπάρχει ηλεκτρική επαφή μεταξύ του θαμνοκοπτικού και της μπαταρίας ■ Η συστοιχία μπαταριών έχει εξαντληθεί. ■ Η συστοιχία μπαταριών είναι πολύ καυτή. ■ Το θαμνοκοπτικό είναι πολύ καυτό. ■ Οι μπροστινοί και πίσω διακόπτες δεν πατήθηκαν ταυτόχρονα. ■ Η λεπίδα είναι μπλοκαρισμένη. 	<ul style="list-style-type: none"> ■ Προσαρτήστε τη συστοιχία μπαταριών στο θαμνοκοπτικό. ■ Απομακρύνετε τη μπαταρία, ελέγξτε τις επαφές και επανεγκαταστήστε τη συστοιχία μπαταριών. ■ Φορτίστε τη συστοιχία μπαταριών. ■ Απομακρύνετε τη μπαταρία, Επιτρέψτε να κρυώσει το θαμνοκοπτικό, έως ότου η θερμοκρασία πέσει κάτω από τους 67°C. ■ Αποδεσμεύστε τους διακόπτες. Επιτρέψτε να κρυώσει το θαμνοκοπτικό, έως ότου η θερμοκρασία πέσει στην φυσιολογική θερμοκρασία. ■ Πιέστε πρώτα το κουμπί ασφάλισης και κατόπιν πιέστε ταυτόχρονα τους διακόπτες στην μπροστινή και πίσω λαβή. ■ Αφαιρέστε τη συστοιχία μπαταριών από το εργαλείο, απομακρύνετε προσεκτικά το εμπόδιο, κατόπιν επανεισάγετε τη μπαταρία και επανεκκινήστε το εργαλείο.
ΥΠΕΡΒΟΛΙΚΕΣ ΔΟΝΗΣΕΙΣ Ή ΘΟΡΥΒΟΣ.	<ul style="list-style-type: none"> ■ Στεγνές ή διαβρωμένες λεπίδες. ■ Οι λεπίδες ή η υποστήριξη λεπίδας έχει λυγίσει. ■ Λυγισμένη ή φθαρμένη οδόντωση. ■ Λασκαρισμένα μπουλόνια λεπίδας. 	<ul style="list-style-type: none"> ■ Λιπαίνετε τις λεπίδες, τηρώντας το απόσπασμα «ΛΙΠΑΝΣΗ ΤΗΣ ΛΕΠΙΔΑΣ» που βρίσκονται στο παρόν εγχειρίδιο. ■ Αντικαταστήστε με μια νέα λεπίδα ή υποστήριξη. Επικοινωνήστε με το κέντρο σέρβις της EGO για την υπηρεσία αντικατάστασης της λεπίδας ή της υποστήριξης. ■ Αντικαταστήστε με μια νέα λεπίδα. Επικοινωνήστε με το κέντρο σέρβις της EGO για την υπηρεσία αντικατάστασης της λεπίδας. ■ Σφίξτε τα μπουλόνια λεπίδας. Χρησιμοποιώντας ένα κλειδί, γυρίστε δεξιόστροφα το μπουλόνι για σφίξτε.

GR

ΕΓΓΥΗΣΗ

ΠΟΛΙΤΙΚΗ ΕΓΓΥΗΣΗΣ EGO

Επισκεφθείτε την ιστοσελίδα egopowerplus.com για όλους τους όρους και τις προϋποθέσεις της πολιτικής εγγύησης EGO.

TÜM TALİMATLARI OKUYUN!



KULLANIM KILAVUZUNU OKUYUN

⚠ UYARI: Artık risk! Kalp pili gibi elektronik cihaz kullanan kişiler bu ürünü kullanmadan önce hekimlerine danışmalıdır. Elektrikli cihazların, kalp pili yakınında çalıştırılması kalp pilinde parazite veya arızaya neden olabilir.

⚠ UYARI: Güvenliği ve güvenilirliği sağlamak için tüm onarım ve değiştirme işlemleri yetkili bir servis teknisyeni tarafından gerçekleştirilmelidir.

GÜVENLİK SEMBOLLERİ

⚠ UYARI: Elektrikli aletler kullanılırken yabancı nesnelere gözlerinize fırlayabilir ve bu da gözlerinize ciddi biçimde zarar verebilir. Elektrikli aleti kullanmaya başlamadan önce daima göz koruması veya yan siperleri olan koruyucu gözlük takın ve gerektiğinde tam yüz siperi kullanın. Gözlük üzerine kullanım için Wide Vision Koruyucu Maske ya da yan siperleri olan standart koruyucu gözlükleri tavsiye ederiz.



Güvenlik Uyarısı



Yaralanma riskini azaltmak için kullanıcı, kullanma kılavuzunu mutlaka okumalıdır.



Bu ürünü yağmur altında kullanmayın veya yağmur yağarken dışarıda bırakmayın.



Garanti edilen ses gücü seviyesi. Avrupa Birliği Yönetmeliği'ne göre çevre gürültü emisyonu.



Bu ürün, yürürlükteki AB yönetmeliklerine uygundur.



Atık elektrikli ürünler, evsel atıklar ile birlikte bertaraf edilmemelidir. Yetkili bir geri dönüşüm merkezine teslim edin.



Bu ürünü çalıştırırken daima göz koruması, yan siperleri olan koruyucu gözlük ya da tam yüz maskesi kullanın.



Elektrikli aletinizi asla tek elle çalıştırmaya kalkışmayın. Elektrikli aletin kontrol kaybı ciddi veya ölümcül yaralanmalarla sonuçlanabilir. Kesme yaralanma riskini düşürmek için ellerinizi ve ayaklarınız kesme aletinden uzak tutun. Asla hareket halindeki kesme aletine elinizle veya vücudunuzun herhangi bir başka kısmı ile dokunmayın.

TR



Bıçak uzunluğu



Maksimum bıçak kesme kapasitesi

V Voltaj

≡ Doğru Akım

.../min Dakika Başına

mm Milimetre

cm Santimetre

n_0 Yüksüz Hız

TEKNİK ÖZELLİKLER

Model	HT2410E	HT2000E	
Voltaj	56 V ---	56 V ---	
Yüksüz hız	1500/dk	1500/dk	
Bıçak Uzunluğu	61 cm	51 cm	
Kesim Kapasitesi	26 mm	25 mm	
Ağırlık (pil paketi hariç)	3,1 kg	2,9 kg	
Tavsiye Edilen Çalışma Sıcaklığı	0°C-40°C	0°C-40°C	
Tavsiye Edilen Depolama Sıcaklığı	-20°C-70°C	-20°C-70°C	
Ölçülen ses gücü düzeyi L_{WA}	94,47 dB(A) K=1,5 dB(A)	91,24 dB(A) K=1,03 dB(A)	
Operatör konumundaki ses basıncı seviyesi L_{PA}	83,9 dB(A) K=3,0 dB(A)	80,62 dB(A) K=3,0 dB(A)	
Garanti edilen ses gücü düzeyi L_{WA} (2000/14/EC uyarınca)	96 dB(A)	92 dB(A)	
Titreşim a_h	Ön Tutma Sapı	1,8 m/s ² K=1,5 m/s ²	2,195 m/s ² K=1,5 m/s ²
	Arka Tutma Sapı	1,7 m/s ² K=1,5 m/s ²	1,836 m/s ² K=1,5 m/s ²

- Bildirilen toplam titreşim değeri standart test yöntemine uygun olarak ölçülmüştür ve bir cihazı diğer bir cihaz ile karşılaştırmak için kullanılabilir.
- Bildirilen toplam titreşim değeri ayrıca ön maruz kalma değerlendirmesinde de kullanılabilir.

UYARI: Elektrikli aletin gerçek kullanımı sırasında meydana gelen titreşim emisyonu aletin kullanım şekline bağlı olarak bildirilen değerden farklı olabilir; Operatörü korumak için, kullanıcı gerçek kullanım koşullarında eldiven ve kulak koruması takmalıdır.

AMBALAJ LİSTESİ (ŞEK. A)

AÇIKLAMA

LİTYUM İYON PİL PAKETİNİ TANIYIN (Şek. A1)

1. Askı deliği
2. Uç koruyucu
3. Bıçak
4. El koruması
5. Ön tutma yeri

6. Kilit açma düğmesi
7. Arka tutma yeri
8. Akü çıkarma düğmesi
9. Mandal
10. Elektrik kontakları
11. Akü montaj yuvası
12. Akü çıkarma
13. Arka anahtar kolu
14. Ön anahtar kolu
15. Askı deliği
16. Bıçak koruması

⚠ UYARI: Bu ürün tamamen monte edilmiş olarak sevk edilmiştir. El koruması kullanım sırasında asla çıkarılmamalıdır. Hasarlı olduğunda, hemen yetkili bir servis teknisyeni tarafından değiştirin.

⚠ UYARI: Bu ürünün güvenli şekilde kullanılması, proje bilgisinin yanı sıra alet üzerinde ve bu kullanım kılavuzunda yer alan bilgilerin anlaşılmasını gerektirir. Bu ürünü kullanmadan önce, tüm çalışma özelliklerini ve güvenlik kurallarını öğrenin.

ÇALIŞTIRMA

⚠ UYARI: Ürüne aşına olmanız sizi dikkatsiz yapmasın. İkinci dereceden bir dikkatsizliğin ciddi yaralanmalara neden olmak için yeterli olduğunu unutmayın.

⚠ UYARI: Daima yan siperleri olan göz koruması kullanın. Kulak koruması ile birlikte kullanın. Böyle yapılmaması sonucu gözlerinize fırlayan nesnelere ciddi kişisel yaralanmalara neden olabilir.

⚠ UYARI: Ciddi kişisel yaralanmalara neden olabilen yanlışlıkla çalışmayı önlemek için, parçaları monte ederken, ayar yaparken, temizlikten önce ve ürün kullanımda değilken daima pil takımını aletten çıkarın.

⚠ UYARI: EGO™ tarafından önerilmeyen parça veya aksesuarları kullanmayın. Önerilmeyen parça veya aksesuarların kullanılması ciddi kişisel yaralanmalara neden olabilir.

Her kullanımdan önce ürünü inceleyerek hasarlı, eksik veya vida, somun, civata, kapak vb. gevşek parça olup olmadığını kontrol edin. Tüm bağlantı parçalarını ve kapakları düzgünce sıkın, bu ürünü eksik veya hasarlı parçalar tamamlanmadan çalıştırmayın.

UYGULAMA

HT2410E: Bu ürünü, dal çapı en fazla ø26 mm (HT2410E) / ø25 mm (HT2000E) olan çitleri ve çalılıkları budamak için kullanabilirsiniz.

⚠ UYARI: Alet sadece belirtilen amaç için kullanılmalıdır. Herhangi diğer kullanım hatalı kullanım olarak kabul edilir.

PİL PAKETİNİN TAKILMASI/ÇIKARILMASI

Sadece şekil A2'e listelenen akü ve şarj cihazlarıyla kullanın.

İlk kullanımdan önce şarj edin.

Takmak için (Şek. B)

Pilin çıkıntıları ile montaj yuvalarını hizalayın ve "klik" sesi duyuncaya kadar pil paketini aşağıya bastırın.

Çıkarmak için (Şek. C)

Pil çıkarma düğmesine basın ve pil paketini çekip çıkarın.

⚠ UYARI: Pil çıkarma düğmesine basarken daima ayaklarınızın durduğu yere, çocuklara veya evcil hayvanlara dikkat edin. Pil paketi düşerse ciddi yaralanmaya neden olabilir. ASLA pil paketini yüksek bir yerden çıkarmayın.

ÇİT DÜZELTİCİNİN TUTULMASI (Şekil D, E & F)

Ünitenin hem ön hem de arka kolu vardır. Bıçak sizden uzağa doğru olacak şekilde, üniteyi her iki koldan da tutun. Ön koldaki anahtar kolu, üç taraftan herhangi birinde etkinleştirilebilir, böylece kesim işlemleri sırasında rahat bir kavrama için birçok seçenek sunar.

⚠ UYARI: Çit düzelticiyi tutmak için daima her iki elinizi de kullanın. Asla bir elinizle çalılı tutarken diğer elinizle çit düzelticiyi çalıştırmayın. Bu uyarının dikkate alınmaması ciddi yaralanmalara yol açabilir.

ÇİT DÜZELTİCİYİ ÇALIŞTIRMA/DURDURMA

Çalıştırmadan önce, siperi çıkarın ve bir eliniz arka tutma sapında ve diğer eliniz ön tutma sapında olmak üzere çit düzelticiyi iki elinizle tutun. Ardından, dengeli ve dik bir duruş ile doğru kesim mesafesi sağlayın.

Başlatmak için

1. Aküyü takın.
2. Ön koldaki anahtar kolunu bir elinizle basılı tutun.

3. Kilitleme düğmesini diğer elinizin baş parmağınızla basılı tutun ve ardından çit düzelticiyi başlatmak için arka anahtar kolunu parmaklarınızla sıkın. Kilitleme düğmesini serbest bırakın ve sürekli kullanım için tetiğe basmaya devam edin.

Durdurmak için

Çit düzelticisini kesme alanından uzaklaştırın ve çit düzelticiyi durdurmak için arka anahtar kolunu serbest bırakın.

⚠ UYARI: Mola verdiğinizde ve işiniz bittikten sonra daima aküyü çit düzelticiden çıkarın.

ÇİT BUDAMA MAKİNESİNİN KULLANIMI

⚠ UYARI: Bıçağın elektrik kablosu veya hattına takılması/sıkışması durumunda BİÇAĞA DOKUNMAYIN! BİÇAK ELEKTRİKSEL OLARAK AKIM ALTINDA OLABİLİR VE ÇOK TEHLİKELİDİR. Çit budama makinesini yalıtımlı arka sapından tutmaya devam edin veya yere yatırın ve sizden uzak bir şekilde tutun. Bıçağı kablodan kurtarmaya çalışmadan önce hasarlı elektrik hattına giden elektrik beslemesini kesin. Bu uyarıya uyulmadığı takdirde, ciddi kişisel yaralanmalar veya ölüm tehlikesi söz konusudur.

⚠ UYARI: Yoğun çalılık içine daldırarak bir defada çok fazla budama yapmaktan kaçının. Böyle yapılması bıçakları engelleyip yavaşlatarak kesim verimini düşürür.

DİKKAT: Budama makinesi (26 mm) kalınlığa kadar olan kökleri kesmek için kullanılabilir.

UYARI: Yeni filizleri budarken geniş bir süpürme hareketi yaparak dalların doğrudan kesim bıçağına beslenmesini sağlayın. Daha yaşlı dallar daha kalın köklere sahiptir ve kesme hareketi ile daha kolay kesilecektir. Geniş dalları budamak için el testeresi veya budama testeresi önerilir.

Üstten Kesim

Geniş bir süpürme hareketi yaparak kullanın. Kesim bıçaklarının hareket yönünde hafif aşağıya eğilmesi en iyi kesim sonuçlarını sağlar. Daha iyi kesim etkisi için, Şek G'de gösterildiği gibi çit seviyesini yönlendirmek üzere bir ip kullanabilirsiniz.

Yandan Kesim

Çitin kenarlarını kırparken, alttan başlayıp Şekil H'de gösterildiği gibi yukarı doğru kesin. Çitin kenarını üstte biraz daha dar olana kadar kesin. Bu şekil, çitin daha fazla güneş almasına ve böylece daha eşit bir şekilde büyümesine izin verecektir.

BAKIM

⚠ UYARI: Bakım ve onarım sırasında birbir aynı yedek parçaları kullanın. Diğer parçaların kullanılması tehlike oluşturabilir veya ürünün hasar görmesine neden olabilir. Güvenliği ve güvenilirliği sağlamak için, tüm onarım işlemleri yetkili bir servis teknisyeni tarafından gerçekleştirilmelidir.

⚠ UYARI: Ciddi kişisel yaralanmaları önlemek için, temizlik veya bakım işlemi gerçekleştirirken daima pil paketini üründen çıkarın.

TEMİZLİK

- Yumuşak bir fırça kullanarak tüm hava girişlerindeki ve kesim bıçaklarındaki artıkları temizleyin.
- Zift ve diğer yapışkan artıkları çıkarmak için, bıçaklara reçineli solvent püskürtün. Motoru yavaşça çalıştırın, böylece solvent eşit olarak dağılmış olur.
- Yüzeyini kuru bir bezle temizleyin.

⚠ UYARI: Budama makinenizi temizlemek için asla su kullanmayın. Plastik parçaları temizlerken çözücü maddeler kullanmaktan kaçının. Çoğu plastik parça çeşitli tip ticari solventlerden zarar görebilir. Kir, toz, yağ, gres, vb. gidermek için temiz bez kullanın.

KESİM BİÇAĞININ BİLENMESİ

1. Kesme bıçağı ve koruyucu, Şekil I'de gösterildiği gibi hafifçe dengelenene kadar çit düzelticinizi çalıştırın ve durdurun. Bu, kesici dişler ve koruyucu dişler arasında birikenlerin temizlenmesini sağlayacaktır.
2. Aküyü çit düzelticiden çıkarın.
3. Bıçak tertibatını bir mengene ile sıkıştırın ve her bir bıçak dişinin açıkta kalan kesme yüzeyini bileyin. Olabildiği kadar az malzeme alın. Bileme sırasında her dişin orijinal açısını koruduğunuzdan emin olun.
4. Çit düzelticiyi mendenen çıkarın; yeniden başlatın ve bıçak dişlerinin keskin olmayan kenarlarını ortaya çıkarmak için durdurun.
5. Aküyü çıkarın ve yukarıdaki bileme prosedürünü tekrarlayın.

⚠ UYARI: Çit budama makinenizi körelmiş veya hasarlı kesim bıçaklarıyla çalıştırmayın. Böyle yapılması aşırı yüklenmeye yol açarak başarısız kesim sonuçlarına neden olabilir.

BİÇAĞIN YAĞLANMASI (Şek. J)

En doğru kullanım ve uzun bıçak ömrü için, her kullanımdan önce ve sonra çit budama makinesini ince makine yağı ile yağlayın.

Aküyü çıkarın ve çit düzelticiyi düz bir yüzeye yerleştirin. Üst bıçağın kenarı boyunca yağ uygulayın.

⚠ UYARI: Uzun süre kullanılacaksa, kesim işlemi sırasında bıçağı yağlayın.

⚠ UYARI: Çit budama makinesi çalışırken yağlama yapmayın.

TAŞIMA VE DEPOLAMA

- Çit düzelticiyi depolamadan veya taşımadan önce daima siperi bıçağına yerleştirin. Bıçağın keskin dişlerine karşı dikkatli olun.
- Çit budama makinesini saklamadan önce tamamen temizleyin.
- Çit budama makinesini çocukların ulaşamayacağı, kapalı ve kuru bir yerde saklayın.
- Bahçe kimyasalları ve eritici tuzlar gibi aşındırıcı maddelerden uzak tutun.

⚠ UYARI: Bıçaklar keskindir. Bıçak düzeneğine dokunurken kaymaz, ağır iş eldivenleri takın. Elinizi veya parmaklarınızı bıçakların arasına veya sıkışmalarına veya kesilmelerine neden olabilecekleri herhangi bir yere yerleştirmeyin. ASLA bıçaklara dokunmayın veya cihaza pil paketi takılı durumdayken bakım ve onarım yapmayın.

Çevre koruması



Elektrikli cihazları, kullanılmış aküyü ve şarj cihazını evsel atıklarla bertaraf etmeyin! Bu ürünü yetkili bir geri dönüşüm teslim edin ve ayrı bir şekilde toplanmasını sağlayın. Elektrikli aletler çevreyle uyumlu bir geri dönüşüm tesisine teslim edilmelidir.

TR

SORUN GİDERME

SORUN	NEDENİ	ÇÖZÜM
ÇİT DÜZELTİCİ ÇALIŞMIYOR.	<ul style="list-style-type: none">■ Pil paketi, çit budama makinesine takılı değil.■ Budama makinesi ile pil arasında elektrik teması yok.■ Pil paketi boş.■ Pil paketi çok sıcak.■ Çit budama makinesi çok sıcak.■ Arka ve ön anahtar koluna aynı anda basılmamış.■ Bıçak sıkışmış.	<ul style="list-style-type: none">■ Pil paketini çit budama makinesine takın.■ Pili çıkarın, temas noktalarını kontrol edin ve pil paketini yeniden takın.■ Pil paketini şarj edin.■ Pil paketi veya testerenin 67°C'nin altına düşene kadar soğumasını bekleyin.■ Her iki anahtar kolunu bırakın; çit düzelticinin normal sıcaklığın altına düşene kadar soğumasını bekleyin.■ Önce kilitleme düğmesine basın ve ardından ön ve arka koldaki anahtar kollarına aynı anda basın.■ Pil paketini aletten çıkarın, sorunu dikkatli bir şekilde düzeltin, ardından pili yeniden takın ve aleti yeniden başlatın.
AŞIRI TİTREŞİM VEYA GÜRÜLTÜ.	<ul style="list-style-type: none">■ Kuru veya paslı bıçaklar.■ Bıçaklar veya bıçak desteği eğilmiş.■ Eğik veya hasarlı dişler.■ Gevşek bıçak civataları.	<ul style="list-style-type: none">■ Bu kılavuzun sayfasında yer alan "BIÇAĞIN YAĞLANMASI" bölümünü izleyerek bıçakları yağlayın.■ Yeni bir bıçakla veya destekle değiştirin. Bıçak veya destek değiştirme hizmeti için EGO servis merkeziyle irtibata geçin.■ Yeni bir bıçakla değiştirin. Bıçak değişimi için EGO servis merkeziyle irtibata geçin.■ Bıçak civatalarını sıkın. Bir İngiliz anahtar ile civatayı saat yönünde çevirerek sıkın.

TR

GARANTİ

EGO GARANTİ POLİTİKASI

EGO Garanti politikasına ilişkin tüm hüküm ve koşullar için, lütfen egopowerplus.com adresindeki web sitemizi ziyaret edin.

LUGEGE KÕIKI JUHISEID!



LUGEGE KASUTUSJUHENDIT

⚠ HOIATUS! Kaasnev risk! Inimesed, kes kasutavad elektroonilisi seadmeid, nt südamestimulaatorit, peaksid enne selle toote kasutamist konsulteerima oma arstiga. Elektriseadmete kasutamine südamestimulaatori läheduses võib põhjustada südamestimulaatori häireid või rikkeid.

⚠ HOIATUS! Ohutuse ja töökindluse tagamiseks tohivad seda seadet remontida ainult vastava kvalifikatsiooniga hooldustehnikud.

OHUTUSSÜMBOLID

⚠ HOIATUS! Mis tahes elektriliste tööriistade kasutamine võib põhjustada võõrkehade paiskumist silma, mis võib tekitada tõsiseid silmakahjustusi. Elektriliste tööriistade kasutamise ajal kandke alati kaitseprille või külgkaitsetega kaitseprille ja vajadusel täielikku näokaitset. Soovitame kanda prillide peal laia vaatealaga kaitsemaski või standardseid külgkaitsetega kaitseprille.



Ohutusteade



Vigastuste ohu vähendamiseks peab kasutaja enne toote kasutamist kasutusjuhendit lugema.



Mitte kasutada vihma käes ega jätta välitingimustesse vihmaseaju ajal.



Garanteeritud helivõimsuse tase. Seadme müra keskkonnas on Euroopa Ühenduse direktiiviga vastavuses.



Toode vastab rakendatavatele EÜ direktiividele.



Elektriseadmete jäätmeid ei tohi visata olmejäätmete hulka. Viige volitatud taaskäitleja juurde.



Kandke selle toote kasutamise ajal alati kaitseprille või külgkaitsetega kaitseprille ja täielikku näokaitset.



Ärge püüdke kunagi oma seadet ühe käega kasutada. Seadme üle kontrolli kaotamine võib kaasa tuua tõsise või eluohtliku vigastuse. Lõikevigastuste riski vähendamiseks hoidke käsi ja jalgu lõiketerast eemal. Ärge puudutage liikuvat lõiketera kunagi oma käega või mõne muu kehaosaga.



Tera pikkus



Maks. Tera maksimaalne lõikejõudlus

V Pinge

≡ alalisvool

.../min Minutis

mm Millimeeter

cm Sentimeeter

n_0 Tühikäigu kiirus

ET

SPETSIFIKATSIOONID

Mudel	HT2410E	HT2000E
Pinge	56 V	56 V
Tühikäigu kiirus	1500 /min	1500 /min
Tera pikkus	61 cm	51 cm
Lõikevõimsus	26 mm	25 mm
Mass (ilma akuplokita)	3,1 kg	2,9 kg
Soovituslik töökeskkonna temperatuur	0°C-40°C	0°C-40°C
Soovituslik hoiustamise temperatuur	-20°C-70°C	-20°C-70°C
Möödetud helirõhu tase L_{WA}	94,47 dB(A) K=1,5 dB(A)	91,24 dB(A) K=1,03 dB(A)
Helirõhu tase tööasendis L_{PA}	83,9 dB(A) K=3,0 dB(A)	80,62 dB(A) K=3,0 dB(A)
Garanteeritud helirõhk L_{WA} (vastavalt 2000/14/EÜ)	96 dB(A)	92 dB(A)
Vibratsioon a_h	Eesmine käepide	1,8 m/s ² K=1,5 m/s ²
	Tagumine käepide	1,7 m/s ² K=1,5 m/s ²
		2,195 m/s ² K=1,5 m/s ²
		1,836 m/s ² K=1,5 m/s ²

Ametlik vibratsioonitaseme näit on möödetud standardsete testmeetodite kohaselt ja seda võidakse kasutada erinevate tööriistade võrdlemiseks.

- Ametlikku vibratsioonitaseme näitu võib kasutada ka algse kokkupuutehinnangu andmiseks.

MÄRKUS: Tegelikul kasutamisel tekviv vibratsioonitase või ametlikult märgitust erineb; turvalisuse eesmärgil peaks seadme kasutaja kandma kindaid ja kuulmiskaitseid.

ET

PAKENDI LOENDKIRJELDUS (JOON. A1)

TUNNE OMA TRIMMERIT (joon. A1)

1. Riputusava
2. Tipukaitse
3. Tera
4. Käepiire
5. Eesmine käepide
6. Lukustusnupp
7. Tagumine käepide
8. Aku vabastamise nupp
9. Riiv

10. Elektrikontaktid
11. Aku paigaldamise ava
12. Aku vabastusnupp
13. Tagumine lüliti
14. Eesmine lüliti
15. Riputusava
16. Terakaitse

⚠ HOIATUS: See toode tarnitakse täielikult kokkupanduna. Käepiiret ei tohi kunagi seadme kasutamise ajal eemaldada. Kahjustuste korral laske see viivitamatult vastava kvalifikatsiooniga tehnikul välja vahetada.

⚠ HOIATUS: Selle seadme ohutuks kasutamiseks tuleb tootele nii tootele kantud kui ka käesolevas juhendis sisalduvast teabest aru saada ning mõista ka teostatava töö aluseid. Enne toote kasutamist tutvuge selle funktsioonidega ja ohutusreeglitega.

KASUTAMINE

⚠ HOIATUS: Ärge muutuge toodet tundma õppides hooletuks. Pidage meeles, et raskeid vigastusi põhjustavaks õnnetuseks piisab ka sekundi mürdosa pikkusest tähelepanematuses.

⚠ HOIATUS: Kasutage alati külljekaitsetega silmakaitseid ja kuulmiskaitseid. Vastasel korral võib teile midagi silma lennata ja võite saada ka muud laadi raskeid vigastusi.

⚠ HOIATUS: Tahtmatu käivitumise vältimiseks eemaldage seadme kokkupanemise, kohandamise, puhastamise või mitte kasutamise ajaks alati aku.

⚠ HOIATUS: Ärge kasutage lisaseadmeid või -tarvikuid, mida EGO pole soovitanud. Mittesoovituslike lisaseadmete või -tarvikute kasutamine võib põhjustada raskeid kehavigastusi.

Enne igakordset kasutamist kontrollige, et seadmel poleks kahjustatud, puuduivad ega lahtiseid detaile, kruvisid, mutreid, polte jm. Tugevdage kõik kinnitused ja ärge kasutage seadet kuni kõik puuduavad või kahjustatud osad on asendatud.

RAKENDUS

HT2410E: Seda toodet võib kasutada niisuguste hekkide, pöösaste ja pöösastike pügamiseks, mille okste läbimõõt on väiksem kui $\varnothing 26\text{mm}$ (HT2410E) / $\varnothing 25\text{mm}$ (HT2000E).

MÄRKUS: Seadet tohib kasutada vaid käesolevas juhendis lubatud eesmärgil. Igasugust muud kasutust loetakse väärkasutuseks.

AKUPLOKI PAIGALDAMINE/EEMALDAMINE

Kasutage ainult joonisel A2 esitatud akuplokkide ja laadijatega.

Laadige enne esimest kasutamist.

Paigaldamiseks (joon. B)

Joondage aku ribad paigaldussoontega ja suruge akuplokki alla kuni kuulete klõpsatust.

Eemaldamine (joon. C)

Vajutage akuvabastusnuppu ja tõmmake akuplokk välja.

⚠ HOIATUS: Akuvabastusnuppu vajutades jälgige alati oma jalgade ning läheduses viibivate laste ja loomade asukohaga. Akuploki kukkumine võib põhjustada raskeid vigastusi. Akuplokki ei tohi eemaldada kõrges kohas töötades.

HEKILÕIKURI HOIDMINE (joon. D, E ja F)

Seadmel on nii eesmine kui tagumine käepide. Hoidke seadet mõlemast käepidemest nii, et tera on suunatud teist eemale. Eesmise käepideme lüliti saab aktiveerida kolmelt küljelt, võimaldades teile lõikamiseks mugava haarde leidmiseks erinevaid variante.

⚠ HOIATUS: Hoidke hekitrimmerit alati kahe käega. Ärge kunagi hoidke ühe käega lõigatavat pöösast, kui te teise käega hekilõikurit kasutate. Selle nõude eiramine võib põhjustada kehavigastusi.

HEKITRIMMERI KÄIVITAMINE/SEISKAMINE

Enne töö alustamist eemaldage kaitsekate ja hoidke trimmerit kahe käega, üks käsi eesmisel ja teine tagumisel käepidemel. Seejärel veenduge, et teie jalgealune on kindel, seisate sirgelt ja lõikekaugus sobiv.

Käivitamine

1. Paigaldage aku.
2. Vajutage ja hoidke ühe käega eesmise käepideme lüliti all.
3. Vajutage ja hoidke lukustusnuppu teise käe pöidlaga all, seejärel vajutage tagumist lüliti sõrmedega ja käivitage hekilõikur. Vabastage lukustusnupp ja jätke jätkamiseks vajutage endiselt ka päästiklülile.

Peatamine

Liigutage hekilõikur lõikealast eemale ja vabastage tagumine lüliti, et hekilõikur peatada.

⚠ HOIATUS: Tööpauside ajal ja pärast töö lõpetamist eemaldage alati akuplokk hekilõikuri küljest.

HEKITRIMMERI KASUTAMINE

⚠ HOIATUS: Kui tera vahele jääb elektrijuhe või -traat, ÄRGE PUUDUTAGE TERA! TERA VÕIB OLLA VOOLU ALL JA VÄGA OHTLIK. Hoidke trimmerit endiselt isoleeritud käepidemest või pange maha ja nihutage ettevaatlikult endast eemale. Enne kui üritate juhet või traati tera ümbert ära võtta, lülitage elekter välja. Selle nõude eiramine võib põhjustada raskeid või surmavaid vigastusi.

⚠ HOIATUS: Ärge üritage korraga väga suurt tükki lõigata ega läbi tiheda pöösastiku liikuda. Nii võite terasid painutada või aeglustada ja vähendada lõikeprotsessi tõhusust.

MÄRKUS! Trimmeriga tohib lõigata tüvesid, mille paksus on väiksem kui 26mm.

MÄRKUS: Noorte taimede puhul on soovitatav kasutada otse lõiketera suunas kasvavate tüvede lõikamisel laia haaret. Vanemate taimete puhul on paksemate tüvede lõikamiseks hea kasutada saagimisliigutust. Jämedate tüvede lõikamiseks on soovitatav kasutada esmalt käsisaagi või laasimissaagi.

Tipu lõikamine

Rakendage laia pühkimisliigutust. Parima lõiketulemuse saate, kui kallutate lõiketera veidi liikumissuunas. Suurema efektiivsuse saavutamiseks võite kasutada ka soovitud heki kõrgust tähistavat nööri, nagu on näidatud joonisel G.

Külgede lõikamine

Heki külgede pügamisel alustage altpoolt ja liikuge üles, nagu on näidatud joonisel H. Piirake heki külge nii, et see jääb ülevaltpoolt veidi kitsam. Nii pääseb hekini rohkem päikesevalgust, tagades taimede ühtlasema kasvu.

HOOLDUS

⚠ HOIATUS: Remontimisel kasutage vaid originaalvaruosi. Mis tahes muude osade kasutamine võib põhjustada ohtlikke olukordi või seadet vigastada. Ohutuse ja töökindluse tagamiseks tohivad seda seadet remontida ainult vastava kvalifikatsiooniga hooldustehnikud.

⚠ HOIATUS: Raskete kehavigastuste vältimiseks tuleb seadme puhastamise või hooldamise ajaks alati akuplokk eemaldada.

ET

PUHASTAMINE

- Õhu sissevõtuavadelt ja lõiketeralt mustuse eemaldamiseks kasutage pehmet harja.
- Vaigu ja muude kleepuvate ainete eemaldamiseks puhustage terale vaigu lahustit. Käivitage mootor hetkeks, et lahusti ühtlaselt laiali laotuks
- Pühkige seadme pind kuiva lapiga puhtaks.

⚠ HOIATUS: Ärge kunagi puhastage trimmerit veega. Vältige plastosade kasutamisel lahustite kasutamist. Enamik plastmasse lagunevad kaubanduslike lahustite toimel kergesti. Kasutage mustuse, tolmu, õli, määrete jms eemaldamiseks puhtaid riidest lappe.

LÕIKETERA TERITAMINE

1. Käivitage ja peatage hekilõikurit seni, kuni lõiketera ja kaitse on kergelt nihkes, nagu on näidatud joonisel I. See tekitab lõikehamba ja kaitse vahele avause viili jaoks.
2. Eemaldage akuplokk hekilõikuri küljest.
3. Kinnitage tera pihtide vahele ja viilige kõigi tera hammaste välimised lõikepinnad. Eemaldage nii vähe materjali kui võimalik. Jälgige, et viilimisel säiliks iga hamba algne nurk.
4. Eemaldage hekilõikur kruustangide vahelt; taaskäivitage ja peatage seade, et vabastada lõiketera teritamata hammaste servad.
5. Eemaldage akuplokk ja korrake ülaltoodud teritamise protseduuri.

MÄRKUS: Ärge kasutage hekitrimmerit, mille lõiketerad on nürid või kahjustatud. See võib põhjustada ülekoormust ja mitterahuldavaid töötulemusi.

TERA MÄÄRIMINE (joon. J)

Parimate tulemust ja tera pika tööea tagamiseks määrige hekitrimmeri tera kerge masinaõliga enne ja pärast iga kasutuskorda.

ET

Eemaldage akuplokk ja asetage trimmer siledale pinnale. Kandke õli ülemise tera servale.

MÄRKUS: Pikemate tööde puhul õlitage tera ka töö käigus.

⚠ HOIATUS: Ärge õlitage tera ajal, mil trimmer töötab.

TRANSPORTIMINE JA HOIUSTAMINE

- Enne hekitrimmeri hoiustamist või transportimist paigaldage alati terale kaitsekate. Olge ettevaatlikud ja vältige tera teravaid hambaid.

- Enne hoiustamist puhastage hekitrimmer hoolikalt.
- Hoidke hekitrimmerit sisetingimustes, kuivas ja lastele kättesaamatus kohas.
- Hoidke trimmerit eemal korrodeerivatest ainetest (nt aiakemikaalid ja jääsulatussoolad).

⚠ HOIATUS: Terad on teravad. Terade käsitsemisel kandke tugevast mittelibsevast materjalist töökindaid. Ärge asetage oma käsi ega sõrmi terade vahele või muusse kohta, kus on oht, et need võivad punni jääda või võidakse maha lõigata. Enne kui terasid puudutate või hooldate, tuleb ALATI akuplokk eemaldada.

Keskonnakaitse



Ärge visake elektriseadmeid, kasutatud akut ega laadijat olmeprügi hulka! Viige toode volitatud taaskäitleja juurde ja võimaldage selle komponendid sorteerituna kõrvaldada. Elektritööriistad viige keskkonnakaitseõudeid järgivasse jäätmekäitluskeskusesse.

TÖRKEOTSING

PROBLEEM	PÕHJUS	LAHENDUS
HEKILÕIKUR EI TÖÖTA.	<ul style="list-style-type: none"> ■ Akuplokk pole trimmeriga ühendatud. ■ Trimmeri ja aku vahel puudub elektriline ühendus. ■ Akuplokk on tühi. ■ Akuplokk on liiga kuum. ■ Hekitrimmer on liiga kuum. ■ Eesmist ja tagumist lülilit ei vajutata samal ajal alla. ■ Tera on kinni jäänud. 	<ul style="list-style-type: none"> ■ Kinnitage akuplokk hekitrimmeri külge. ■ Eemaldage aku, kontrollige ühendusi ja paigaldage akuplokk tagasi. ■ Laadige akuplokk. ■ Eemaldage akuplokk seadme küljest ja laske sellel jahtuda, kuni temperatuur langeb alla 67°C. ■ Laske mõlemad lülitid lahti ja laske trimmeril jahtuda kuni seadme temperatuur langeb normaalsele tasemele. ■ Esialt vajutage lukustusnuppu ja seejärel vajutage samaaegselt nii eesmist kui tagumist lülilit. ■ Eemaldage akuplokk tööriista küljest, eemaldage ettevaatlikult tööd takistav objekt ja seejärel paigaldage aku tagasi ning käivitage tööriist uuesti.
LIGNE VIBRATSIOON VÕI MÜRA.	<ul style="list-style-type: none"> ■ Kuivad või korrodeerunud terad. ■ Tera või tera tugi on paindunud. ■ Paindunud või kahjustunud lõikehambad. ■ Lahtised tera poldid. 	<ul style="list-style-type: none"> ■ Määrige teri, järgides käesoleva juhendi alapunkti "TERA MÄÄRIMINE" antud juhiseid. ■ Vahetage tera või tugi. Terade või tuge vahetamiseks võtke ühendust EGO hoolduskeskusega. ■ Vahetage seadme tera. Terade vahetamiseks võtke ühendust EGO hoolduskeskusega. ■ Keerake tera poldid tugevamalt kinni. Kiinitamiseks keerake polt mutrivõtmega päripäeva.

ET

GARANTII

EGO GARANTIIPÕHIMÕTTED

Täielikud EGO garantiitingimused leiate veebilehelt egopowerplus.com.

ПРОЧИТАЙТЕ ВСІ ІНСТРУКЦІЇ!



ПРОЧИТАЙТЕ ПОСІБНИК З ЕКСПЛУАТАЦІЇ

⚠ ПОПЕРЕДЖЕННЯ. Залишковий ризик! Люди з електронними пристроями, наприклад кардіостимуляторами, повинні проконсультуватися зі своїм лікарем (лікарями) перед використанням цього виробу. Експлуатація електрообладнання в безпосередній близькості від кардіостимулятора може спричинити перешкоди або несправність кардіостимулятора.

⚠ ПОПЕРЕДЖЕННЯ. Для гарантування безпеки та надійності всі роботи з ремонту та заміни повинен проводити кваліфікований технічний спеціаліст.

СИМВОЛИ, ЩО СТОСУЮТЬСЯ БЕЗПЕКИ

⚠ ПОПЕРЕДЖЕННЯ. Використання будь-яких електроінструментів може призвести до потраплення сторонніх предметів в очі, що може спричинити серйозне пошкодження очей. Перед початком експлуатації електроінструмента завжди надягайте закриті захисні окуляри або відкриті захисні окуляри з бічними щитами та, якщо потрібно, повнопрофільну захисну маску. Ми рекомендуємо захисну маску широкого розміру для використання поверх окулярів або стандартні відкриті захисні окуляри з бічними щитами.



Попередження щодо безпеки



Не використовуйте цей пристрій у дощ і не залишайте його в дощ надворі.



Цей виріб відповідає чинним директивам ЄС.



Працюючи з цим виробом, завжди носіть закриті захисні окуляри чи відкриті захисні окуляри з бічними щитами або повнопрофільну захисну маску.



З метою зменшення ризику отримання травм користувач повинен прочитати посібник з експлуатації.



Гарантований рівень звукової потужності. Розповсюдження шуму в навколишнє середовище згідно з директивою Європейського співтовариства.



Відходи електричних виробів не слід викидати разом із побутовим сміттям. Зверніться до авторизованого пункту переробки.



Ніколи не намагайтеся керувати електроінструментом однією рукою. Втрата контролю над електроінструментом призведе до серйозного або смертельного травмування. Щоб зменшити ризик травмування, тримайте руки та ноги подалі від ріжучого інструмента. Ніколи не наближайте рухомий ріжучий інструмент до рук або до будь-якої іншої частини тіла.



Довжина леза



Макс. різальна здатність леза

V Напруга

— Постійний струм

.../min На хвилину

mm Міліметр

cm Сантиметр

n_0 Швидкість холостого ходу

СПЕЦИФІКАЦІЇ

Модель	HT2410E	HT2000E	
Напруга	56 В ---	56 В ---	
Швидкість холостого ходу	1500/хв	1500/хв	
Довжина леза	61 см	51 см	
Різальна здатність	26 мм	25 мм	
Вага (без акумулятора)	3,1 кг	2,9 кг	
Діапазон рекомендованих робочих температур	0°C–40°C	0°C–40°C	
Діапазон рекомендованих температур зберігання	-20°C–70°C	-20°C–70°C	
Вимірний рівень звукової потужності L_{WA}	94,47 дБ (A) K=1,5 дБ (A)	91,24 дБ (A) K=1,03 дБ (A)	
Рівень звукового тиску в положенні оператора L_{PA}	83,9 дБ (A) K=3,0 дБ (A)	80,62 дБ (A) K=3,0 дБ (A)	
Гарантований рівень звукової потужності L_{WA} (відповідно до стандарту 2000/14/СС)	96 дБ (A)	92 дБ (A)	
Вібрація $a_{h,v}$	Передня ручка	1,8 m/s^2 K=1,5 m/s^2	2,195 m/s^2 K=1,5 m/s^2
	Задня ручка	1,7 m/s^2 K=1,5 m/s^2	1,836 m/s^2 K=1,5 m/s^2

- Вказане загальне значення вібрації виміряне за стандартним методом тестування і може використовуватися для порівняння одного інструмента з іншим;
- Заявлене сумарне значення вібрації може також використовуватись для попередньої оцінки впливу.

ПРИМІТКА. Емісія вібрації під час фактичного використання електроінструмента може відрізнятися від заявленої величини, у якій використовується інструмент. Щоб захистити оператора, користувач повинен вдягати рукавички та захисні навушники в реальних умовах використання.

ПАКУВАЛЬНИЙ СПИСОК (РИС. А1)

ОПИС

ОЗНАЙОМЛЕННЯ З ТРИМЕРОМ ДЛЯ ЖИВОПЛОТУ (рис. А1)

1. Отвір для вішання

2. Захисний наконечник
3. Лезо
4. Запобіжна скоба
5. Передня ручка
6. Кнопка блокування
7. Задня ручка
8. Кнопка розблокування батареї
9. Засувка
10. Електричні контакти
11. Паз для кріплення акумулятора
12. Зняття акумулятора
13. Задній важіль перемикача
14. Передній важіль перемикача
15. Отвір для вішання
16. Відгородження пили

⚠ ПОПЕРЕДЖЕННЯ. Цей виріб поставляється повністю зібраним. Запобіжну скобу ніколи не слід видаляти під час використання. Після пошкодження негайно доручіть замінити її кваліфікованому технічному спеціалісту.

⚠ ПОПЕРЕДЖЕННЯ. Для безпечного використання цього виробу потрібне розуміння інформації на інструменті та в цьому посібнику користувача, а також знання про проект, який ви намагаєтесь виконати. Перед використанням цього виробу ознайомтеся з усіма функціями та правилами техніки безпеки.

ЕКСПЛУАТАЦІЯ

⚠ ПОПЕРЕДЖЕННЯ. Знання виробу не має робити вас недбалим. Пам'ятайте, що півсекунди неухважності досить для серйозної травми.

⚠ ПОПЕРЕДЖЕННЯ. Завжди носіть захисні окуляри з бічними щитками та навушники. Без окулярів ви ризикуєте травмами очей від викинутих предметів та іншими серйозними травмами.

⚠ ПОПЕРЕДЖЕННЯ. Щоб запобігти випадковому запуску, що може спричинити серйозні травми, завжди виймайте акумуляторну батарею з інструмента під час монтажу деталей, регулювання, очищення або коли він не використовується.

⚠ ПОПЕРЕДЖЕННЯ. Не використовуйте приладдя чи насадки, не рекомендовані EGO™. Використання нерекomenдованого приладдя чи насадок може призвести до серйозних травм.

UK

Перед кожним використанням перевірте весь виріб на наявність пошкоджених, відсутніх або зношених деталей, таких як гвинти, гайки, болти, ковпачки тощо. Закріпіть усі затискачі та ковпачки і не використовуйте цей пристрій, доки не будуть замінені всі відсутні або пошкоджені деталі.

ЗАСТОСУВАННЯ

HT2410E Ви можете використовувати цей виріб для підрізання живоплотів, чагарників і кущів із діаметром гілок менше Ø26 мм (HT2410E) / Ø 25 мм (HT2000E).

ПРИМІТКА. Цей інструмент має використовуватись тільки за призначенням. Будь-яке інше використання вважається випадком використання не за призначенням.

УСТАНОВЛЕННЯ/ВИЙМАННЯ АКУМУЛЯТОРНОЇ БАТАРЕЇ

Використовуйте лише акумулятори та зарядні пристрої, перелічені на рис. A2

Зарядіть перед першим використанням.

Установлення (рис. B)

Вирівняйте виступи на акумуляторі з кріпильними отворами та натисніть на акумуляторну батарею, доки не почуєте «кляцання».

Зняття (рис. C)

Натисніть кнопку звільнення акумулятора та витягніть акумуляторну батарею.

⚠ ПОПЕРЕДЖЕННЯ. Завжди звертайте увагу на розташування своїх ніг, дітей або домашніх тварин, коли натискаєте кнопку звільнення батареї. Падіння акумуляторної батареї може призвести до серйозної травми. **НІКОЛИ** не виймайте акумуляторну батарею у високо розташованому місці.

ТРИМАННЯ ТРИМЕРА ДЛЯ ЖИВОПЛОТУ (РИС. D, E ТА F)

Пристрій має передню та задню ручки. Спрямувавши лезо від себе, тримайте пристрій за обидві ручки. Важіль перемикача в передній ручці можна ввімкнути з будь-якої з трьох сторін, що дає вам багато можливостей для зручного тримання під час виконання операцій зрізання.

ПОПЕРЕДЖЕННЯ. Завжди тримайте тример для живоплоту обома руками за ручки. Ніколи не тримайте кущ однією рукою, а тример для живоплоту – іншою. Нехтування цим попередженням може призвести до тяжких травм.

ЗАПУСК/ЗУПИНЕННЯ ТРИМЕРА ДЛЯ ЖИВОПЛОТУ

Перед використанням зніміть щиток і тримайте тример обома руками, однією рукою за задню ручку, а іншою – за передню. Потім перевірте рівновагу, вертикальну поставу і правильну відстань різання.

Запуск

1. Установіть акумуляторну батарею.
2. Натисніть і утримуйте важіль перемикача на передній ручці однією рукою.
3. Натисніть і утримуйте кнопку розблокування великим пальцем іншої руки, потім візьміться за важіль заднього вимикача пальцями, щоб запустити тример для живоплоту. Відпустіть кнопку блокування та продовжуйте натискати пусковий перемикач для продовження роботи.

Зупинка

Приберіть тример для живоплоту із зони різання та відпустіть задній важіль вимикача, щоб зупинити тример.

⚠ ПОПЕРЕДЖЕННЯ. Завжди виймайте акумуляторну батарею з тримера для живоплоту під час перерв у роботі та після закінчення роботи.

ВИКОРИСТАННЯ ТРИМЕРА ДЛЯ ЖИВОПЛОТУ

⚠ ПОПЕРЕДЖЕННЯ. Якщо лезо натрапляє на будь-який електричний шнур або лінію, **НЕ ТОРКАЙТЕСЯ ЛЕЗА! ВОНО МОЖЕ БУТИ ПІД НАПРУГОЮ І ДУЖЕ НЕБЕЗПЕЧНИМ.** Продовжуйте тримати тример для живоплоту за ізольовану задню ручку або відкладіть його в безпечний спосіб. Відключіть подачу електроенергії на пошкоджену лінію або шнур, перш ніж намагатися звільнити лезо від лінії або шнура. Нехтування цим попередженням призводить до тяжких травм або можливої смерті.

⚠ ПОПЕРЕДЖЕННЯ. Уникайте зрізання занадто великої кількості одночасно або через густі чагарники. Це може призвести до застрягання або уповільнення леза, що зменшує ефективність зрізання.

ПРИМІТКА. Тример використовується для вирізання стебел завтовшки до 26 мм.

ПРИМІТКА. Для нової порослі широкий рух підмітання підходить для стебел, що потрапляють безпосередньо до ріжучого леза. Для старшої порослі рух пиляння підходить для зрізання товстих стебел. Для зрізання великих стебел у першу чергу рекомендується скористатися ручною або обрізною пилою.

Зрізання зверху

Використовуйте широкий рух підмітання. Невеликий нахил ріжучих лез вниз у напрямку руху дає найкращі результати зрізання. Для кращого ефекту зрізання ви також можете використовувати мотузку для керування рівнем живоплоту, як показано на рис. G.

Зрізання збоку

Обрізаючи живопліт збоку, починайте знизу та обрізайте вгору, як показано на рис. H. Обрізайте живопліт збоку, щоб він був злегка вужчим зверху. Завдяки такій формі більша частина живоплоту буде відкрита для сонячного світла і він ростиме рівномірно.

ТЕХНІЧНЕ ОБСЛУГОВУВАННЯ

⚠ ПОПЕРЕДЖЕННЯ. Використовуйте для технічного обслуговування лише ідентичні запчастини. Використання будь-яких інших частин створює небезпеку або може призвести до поломки виробу. Для гарантування безпеки та надійності всі ремонтні роботи повинен проводити кваліфікований технічний спеціаліст.

⚠ ПОПЕРЕДЖЕННЯ. Щоб уникнути серйозних травм, завжди виймайте акумуляторну батарею з виробу, перш ніж чистити або виконувати будь-яке технічне обслуговування.

ЧИЩЕННЯ

- Використовуйте м'яку щітку, щоб видалити сміття з усіх впускних вентиляційних отворів та леза.
- Для видалення смоли та інших липких залишків розпиліть на леза розчинник смоли. Запустіть мотор ненадовго, щоб розчинник рівномірно розподілився.
- Протирайте поверхню сухою тканиною.

⚠ ПОПЕРЕДЖЕННЯ. Ніколи не використовуйте воду для очищення тримера. Не застосовуйте розчинники, коли чистите пластмасові деталі. Більшість пластмас чутливі до пошкоджень різноманітними промисловими розчинниками. Для видалення бруду, пилу, мастила тощо користуйтеся чистою ганчіркою.

ЗАТОЧУВАННЯ ЛЕЗА

1. Запустіть і зупиніть тример для живоплоту, доки лезо та захисна скоба не будуть злегка зсунуті, як показано на рис. I. Це дасть змогу зафіксувати напилком між зубцями різака та захисної скоби.
2. Вийміть акумуляторну батарею з тримера для живоплоту.
3. Зафіксуйте лезо в зборі в тримачі та обробіть напилком відкриту ріжучу поверхню кожного зубця. Видаляйте якомога менше матеріалу. Обов'язково зберігайте вихідний кут кожного зубця під час заточування.
4. Зніміть тример для живоплоту з лещат; запустіть і зупиніть його знову, щоб відкрити незаточені краї зубців леза.
5. Вийміть акумуляторну батарею та повторіть наведену вище процедуру заточування.

ПРИМІТКА. Не працюйте з тримером для живоплоту із затупленими або пошкодженими лезами. Це може спричинити перевантаження та надасть незадовільні результати підрізання.

ЗМАЩУВАННЯ ЛЕЗА (Рис. J)

Для найкращої експлуатації та довшого терміну служби змащуйте лезо тримера для живоплоту легким машинним маслом до і після кожного використання.

Вийміть акумуляторну батарею та покладіть тример на рівну поверхню. Нанесіть масло вздовж краю верхнього леза.

ПРИМІТКА. У разі тривалого періоду експлуатації змащуйте лезо під час зрізання.

⚠ ПОПЕРЕДЖЕННЯ. Не змащуйте, коли тример працює.

ТРАНСПОРТУВАННЯ ТА ЗБЕРІГАННЯ

- Завжди одягайте щиток на лезо перед зберіганням або транспортуванням тримера для живоплоту. Будьте обережні, щоб уникати гострих зубців леза.
- Перед зберіганням слід ретельно очистити тример для живоплоту.
- Зберігайте тример для живоплоту в місці, недоступному для дітей.
- Тримайте подалі корозійні агенти, такі як садові хімікати та солі проти ожеледі.

UK

⚠ ПОПЕРЕДЖЕННЯ. Леза гострі. Під час маніпуляцій із лезом одягайте неслизькі міцні захисні рукавиці. Не кладіть руку або пальці між лезами або в будь-якому положенні, де вони можуть бути защемлені або порізані. **НІКОЛИ** не торкайтеся лез і не обслуговуйте прилад з установленим акумулятором.

Захист довкілля



Не викидайте електричне обладнання, акумулятор і зарядний пристрій у побутові відходи! Віднесіть цей виріб авторизованому переробнику й надайте його для роздільного збирання.

Електроінструменти необхідно повернути в підприємство, що займається екологічно безпечною переробкою.

KEES VAN DER SPEK
TUINMACHINES ★ STOLWIJK

UK

УСУНЕННЯ НЕСПРАВНОСТЕЙ

НЕСПРАВНІСТЬ	ПРИЧИНА	ВИРІШЕННЯ
ТРИМЕР ДЛЯ ЖИВОПЛОТУ НЕ ПРАЦЮЄ.	<ul style="list-style-type: none"> ■ Акумуляторна батарея не приєднана до тримера для живоплоту. ■ Немає електричного контакту між тримером і батареєю ■ Акумуляторна батарея розряджена. ■ Акумулятор занадто гарячий. ■ Тример для живоплоту занадто гарячий. ■ Передній і задній важелі перемикача не натиснуто одночасно. ■ Лезо защемлено. 	<ul style="list-style-type: none"> ■ Під'єднайте акумулятор до тримера для живоплоту. ■ Вийміть акумулятор, перевірте контакти та знову встановіть акумулятор. ■ Зарядіть акумуляторну батарею. ■ Видаліть акумуляторну батарею з інструмента та дайте їй охолонути, доки температура не опуститься нижче 67 °C. ■ Відпустіть обидва важелі перемикача, дайте тримеру охолонути до нормальної температури. ■ Спочатку натисніть кнопку розблокування, а потім одночасно натискайте важіль перемикача на передній і задній ручці. ■ Вийміть акумуляторну батарею з інструмента, обережно приберіть перешкоду, потім знову вставте акумулятор і запустіть інструмент.
НАДМІРНА ВІБРАЦІЯ ЧИ ШУМ..	<ul style="list-style-type: none"> ■ Сухі або корозійні леза. ■ Лезо або тримач леза зігнулі. ■ Зігнуті або пошкоджені зубці. ■ Ослаблені болти леза. 	<ul style="list-style-type: none"> ■ Змастіть леза, дотримуючись вказівок у розділі «ЗМАЩУВАННЯ ЛЕЗА» в цьому посібнику. ■ Замініть на нове лезо чи тримач. Зв'яжіться із сервісним центром EGO для заміни леза чи тримача. ■ Замініть на нове лезо. Зв'яжіться із сервісним центром EGO для заміни леза. ■ Затягніть болти леза. Використовуючи гайковий ключ, затягніть болт за годинниковою стрілкою.

UK

ГАРАНТІЯ

ПРАВИЛА ГАРАНТІЇ EGO

Будь ласка, відвідайте веб-сайт egopowerplus.com для отримання повних умов гарантійної політики EGO.

ПРОЧЕТЕТЕ ВСИЧКИ ИНСТРУКЦИИ!



ПРОЧЕТЕТЕ РЪКОВОДСТВОТО НА ОПЕРАТОРА

⚠ ПРЕДУПРЕЖДЕНИЕ: Остатъчен риск! Хора с електронни устройства, като пейсмейкър трябва да се консултират с лекуващия(те) си лекар(и) преди употреба на този продукт. Работата с електрическо оборудване в непосредствена близост до сърдечен пейсмейкър може да предизвика смущение или неизправност на пейсмейкъра.

⚠ ПРЕДУПРЕЖДЕНИЕ: За да осигурите безопасността и надеждността, всички поправки и подмени трябва да се извършват от квалифициран сервизен техник.

СИМВОЛИ ЗА БЕЗОПАСНОСТ

⚠ ПРЕДУПРЕЖДЕНИЕ: Експлоатацията на всички електрически инструменти, може да доведе до изхвърляне на чужди предмети към вашите очи, което може да доведе до сериозно нараняване на очите. Преди започване на работа с електрически инструмент, винаги носете предпазни очила със странична защита и визьор за цялото лице, когато е необходимо. Ние препоръчваме предпазна маска с широк визьор за употреба над очила или стандартни предпазни очила със странична защита.



Сигнал за безопасност



Не използвайте в дъжд или не го оставяйте навън, когато вали.



Този продукт е в съответствие с приложимите директиви на ЕС.



Винаги носете предпазни очила със странична защита и предпазен екран за цялото лице, когато работите с този продукт.



За намаляване на опасността от нараняване, потребителят трябва да прочете ръководството на оператора. Гарантирано ниво на мощност на звука. Звуквите емисии към околната среда са в съответствие с директивите на европейската общност.



Отпадъчните електрически продукти не трябва да бъдат изхвърляни заедно с домакинския отпадък. Отнесете го до утълномощено място за рециклиране.



Никога не се опитвайте да работите с една ръка с вашия електрически инструмент. Загуба на контрол на вашия електрически инструмент може да доведе до сериозно или фатално нараняване. За да намалите риска от наранявания при срязване дръжте ръцете и краката далеч от режещия инструмент. Никога не закрепвайте движещ се режещ инструмент с вашите ръце или с друга част на вашето тяло.

BG



Дължина на ножа

V Напрежение

.../min В минута

cm Сантиметър



Макс. капацитет на рязане на ножа



Постоянен ток



Милиметър



Скорост без натоварване

СПЕЦИФИКАЦИИ

Модел	HT2410E	HT2000E
Напрежение	56 V ---	56 V ---
Скорост без натоварване	1500/мин	1500/мин
Дължина на ножа	61 см	51 см
Капацитет за рязане	26 мм	25 мм
Тегло (без акумулаторна батерия)	3,1 кг	2,9 кг
Препоръчителна работна температура	0°C-40°C	0°C-40°C
Препоръчителна температура на съхранение	-20°C-70°C	-20°C-70°C
Измерено ниво на сила на звука L_{WA}	94,47 dB(A) K=1,5 dB(A)	91,24 dB(A) K=1,03 dB(A)
Ниво на звуково налягане при позицията на оператора L_{PA}	83,9 dB(A) K=3,0 dB(A)	80,62 dB(A) K=3,0 dB(A)
Гарантирано ниво на сила на звука L_{WA} (съгласно 2000/14/ЕС)	96 dB(A)	92 dB(A)
Вибрации при a_h	Предна ръкохватка	1,8 м/сек ² K=1,5 м/сек ²
	Задна ръкохватка	1,7 м/сек ² K=1,5 м/сек ²

- Деклариеният общ размер на вибрации е измерен в съответствие със стандартния метод за тест и може да бъде използван за сравнение между два инструмента;
- Деклариеният общ размер на вибрации може също така да бъде използван за предварителна оценка на влиянието.

БЕЛЕЖКА: Вибрационните емисии по време на действителната употреба на електрическия инструмент може да се различава от декларираната стойност. С цел да се защити оператора, потребителят трябва да носи ръкавици и антифони в действителни условия на работа.

ОПАКОВЪЧЕН ЛИСТ (ФИГ. А1)

ОПИСАНИЕ

ЗАПОЗНАЙТЕ СЕ С ВАШАТА НОЖИЦА ЗА ЖИВ

ПЛЕТ (Фиг. А1)

1. Отвор за закачване

2. Протектор за върха
3. Нож
4. Предпазител за ръка
5. Предна ръкохватка
6. Бутон за отключване
7. Задна ръкохватка
8. Бутон за освобождаване на батерията
9. Резе
10. Електрически контакти
11. Монтажен прорез за батерията
12. Бутон за изваждане на батерията
13. Заден превключващ лост
14. Преден превключващ лост
15. Отвор за закачване
16. Предпазител на ножа

⚠ ПРЕДУПРЕЖДЕНИЕ: Продуктът е доставен напълно сглобен. Предпазителят за ръката никога не трябва да се отстранява по време на употреба. Щом се повреди, незабавно го подменете с помощта на квалифициран сервизен техник.

⚠ ПРЕДУПРЕЖДЕНИЕ: Безопасната употреба на този продукт изисква осъзнаване на информацията върху инструмента и в това ръководство, както и познание относно проекта, с който се захващате. Преди употреба на този продукт се запознайте с работни характеристики и правила за безопасност.

ЕКСПЛОАТАЦИЯ

⚠ ПРЕДУПРЕЖДЕНИЕ: Не позволявайте рутината с този продукт да ви направи непредпазливи. Запомнете, че невнимание за малка част от секундата е достатъчна за да нанесе сериозно нараняване.

⚠ ПРЕДУПРЕЖДЕНИЕ: Винаги носете защита за очите със странични предпазители заедно със защита за слуха. Ако не го направите може да доведе до изхвърляне на предмети към очите ви и други възможни сериозни наранявания.

⚠ ПРЕДУПРЕЖДЕНИЕ: За да предотвратите случайно стартиране, което би могло да причини сериозно нараняване, винаги отстранявайте акумулаторния комплект от инструмента, когато монтирате части, извършвате настройки, почиствате или когато не се използва.

BG

⚠ ПРЕДУПРЕЖДЕНИЕ: Не използвайте други приставки или аксесоари, които не са препоръчани от EGO™. Употребата на приставки или аксесоари, които не са препоръчани, може да доведе до сериозно нараняване.

Преди всяка употреба инспектирайте целия продукт за повредени, липсващи или разхлабени части като винтове, гайки, болтове, капачки и др. Затегнете сигурно всички закопчалки и капачки и не работете с този продукт, докато всички повредени или липсващи части са подменени.

ПРИЛОЖЕНИЕ

HT2410E: Може да използвате този продукт за почистване на жив плет, шубраци и храсти с диаметър на клона по-малък от $\varnothing 26$ мм (HT2410E) / $\varnothing 25$ мм (HT2000E).

БЕЛЕЖКА: Инструментът трябва да бъде използван само за предназначения цели. Всяка друга употреба се смята за случай на злоупотреба.

МОНТИРАНЕ/ИЗВАЖДАНЕ НА АКУМУЛАТОРНАТА БАТЕРИЯ

Използвайте само с акумулаторни батерии и зарядни устройства изброени на фиг. A2.

Заредете преди първата употреба.

При монтиране (Фиг. B)

Подравнете ребрата на батерията с монтажните жлебове и натиснете батерията надолу, докато чуете "клик".

При снемане (Фиг. C)

Натиснете бутона за освобождаване на батерията и издърпайте акумулаторната батерия навън.

⚠ ПРЕДУПРЕЖДЕНИЕ: Винаги внимавайте за местоположението на краката си, деца или домашни любимци, когато бутона за освобождаване на акумулаторната батерия. Може да възникне сериозно нараняване, ако акумулаторната батерия падне. НИКОГА не премахвайте акумулаторната батерия от високо.

ХВАЩАНЕ НА НОЖИЦАТА ЗА ЖИВ ПЛЕТ (Фиг. D, E и F)

Устройството има и предна, и задна ръкохватка. С нож насочен далеч от вас дръжте устройството за двете ръкохватки. Превключващият лост в предната ръкохватка може да се активира от всяка от трите

страни, което предоставя много възможности за избор за удобно хващане, когато се извършват операции на рязане.

⚠ ПРЕДУПРЕЖДЕНИЕ: Винаги дръжте и двете си ръце върху ръкохватките на ножицата за жив плет. Никога не захващайте шубраците с едната си ръка, докато работите с ножицата за жив плет с другата си ръка. Неспазването на това предупреждение може да доведе до сериозни наранявания.

СТАРТИРАНЕ/СПИРАНЕ НА НОЖИЦАТА ЗА ЖИВ ПЛЕТ

Преди работа, снемете предпазителя и захванете ножицата с две ръце, едната ръка на задната ръкохватка, а другата на предната ръкохватка. След това проверете баланса на разкрача си, изправената си позиция и подходящата дистанция за рязане.

За да стартирате

1. Монтирайте акумулаторната батерия.
2. Натиснете и задръжте превключващия лост в предната ръкохватка с едната си ръка.
3. Натиснете и задръжте бутона за отключване с палеца на другата си ръка, след това притиснете задния превключващ лост с пръстите си, за да стартирате ножицата за жив плет. Освободете бутона за отключване и продължете да стискате спусъка за продължителна работа.

За да спрете

Преместете ножицата за жив плет далеч от зоната на рязане и освободете задния превключващ лост, за да спрете ножицата за жив плет.

⚠ ПРЕДУПРЕЖДЕНИЕ: Винаги изваждайте акумулаторната батерия от ножицата за жив плет по време на работни прекъсвания и след завършване на работата.

УПОТРЕБА НА НОЖИЦАТА ЗА ЖИВ ПЛЕТ

⚠ ПРЕДУПРЕЖДЕНИЕ: Ако ножът заседне на някоя електрическа жица или кабел. **НЕ ДОКОСВАЙТЕ НОЖА! ТОЙ МОЖЕ ДА Е ПОД ЕЛЕКТРИЧЕСКО НАПРЕЖЕНИЕ И МОЖЕ ДА БЪДЕ МНОГО ОПАСЕН.** Продължете да държите ножицата за плет за изолираната задна ръкохватка или я сложете легнала и на разстояние от вас по безопасен начин. Изключете електричеството към повредения проводник или жица, преди да се опитате да освободите ножа от проводника или жичата. Неспазването на това предупреждение ще доведе до сериозни наранявания или възможна смърт.

⚠ ПРЕДУПРЕЖДЕНИЕ: Избягвайте да режете твърде много на веднъж или през дебели шубраци. Това може да накара ножовете да се заклещват и да се забавят, като се понижи ефективността на рязане.

БЕЛЕЖКА: Ножицата трябва да бъде използвана за рязане на стъбла с дебелина по-малка от 26 мм.

ЗАБЕЛЕЖЕТЕ: За нови израстъци, е подходящо широко измитащо движение за почистване на стъблата, които се подават директно в режещия нож. За стари израстъци, режещото движение е добро за подрязване на по-дебелите стъбла. Предлага се ръчен трион без електрическо захранване или секач за почистване първо на големите стъбла.

Подрязване по горната част

Използвайте широко измитащо движение. Лек наклон надолу на режещите ножове по посока на движението дава най-добрите режещи резултати. За по-добра ефективност при рязане, можете също така да използвате връвта за насочване по нивото на храста както е показано на Фиг. G.

Странично подрязване

Когато подрязвате страните на живия плет, започнете от дъното и режете нагоре както е показано на Фиг. H. Режете странично живия плет така, че да се стеснява леко в горната част. Тази форма ще изложи по-голяма част от живия плет на слънчева светлина, което ще доведе до по-равномерен растеж.

ПОДДРЪЖКА

⚠ ПРЕДУПРЕЖДЕНИЕ: Когато обслужвате, използвайте само идентични резервни части. Употребата на каквито и да е други части може да създаде опасност или да предизвика повреда на продукта. За да осигурите безопасността и надеждността, всички поправки трябва да се извършват от квалифициран сервизен техник.

⚠ ПРЕДУПРЕЖДЕНИЕ: За да избегнете нараняване, винаги сменяйте акумулаторната батерия от продукта, когато почиствате или извършвате поддръжка.

ПОЧИСТВАНЕ

- Използвайте мека четка за да премахнете натрупванията от всички колектори за въздух и режещия нож.

- За да премахнете смолата и други залепващи остатъци, напръскайте ножа с разтворител за смола. Пуснете за кратко мотора, така че разтворителят да бъде равномерно разпределен.
- Забършете повърхността със суха кърпа.

⚠ ПРЕДУПРЕЖДЕНИЕ: Никога не използвайте вода за почистване на тримера. Избягвайте употребата на разтворители, когато почиствате пластмасовите части. Повечето пластмаси са податливи на повреди от различни видове разтворители, предлагани в търговската мрежа. Използвайте чист плат, за премахване на мръсотия, прах, масло и т.н.

ЗАТОЧВАНЕ НА РЕЖЕЩИЯ НОЖ

1. Стартирайте и спирайте вашата ножица за жив плет, докато режещият нож и предпазителът леко се изместят, както е показано на Фиг. I. Това ще позволи хлабина за пилата между зъбите на ножа и зъбите на предпазителя.
2. Извадете акумулаторната батерия от вашата ножица за жив плет.
3. Закрепете монтажния възел на ножа в менгеме и наточете с пила подаващите се режещи повърхности на всеки зъб на ножа. Премахнете колкото се може по-малко материал. Уверете се, че поддържате оригиналния ъгъл на всеки зъб, когато заточвате.
4. Снемете ножицата за жив плет от менгемето, стартирайте я отново и я спрете, за да покажете незаточените ръбове на зъбите на ножа.
5. Отстранете акумулаторната батерия и повторете горната процедура за заточване.

БЕЛЕЖКА: Не работете с вашата ножица за плет, когато режещите ножове са затпени или повредени. Това може да причини претоварване и ще доведе до незадоволителни резултати при рязане.

СМАЗВАНЕ НА НОЖА (Фиг. J)

За най-добра работа и по-дълъг живот на ножа, смажете ножа на ножицата за жив плет с леко моторно масло преди и след всяка употреба.

Снемете акумулаторната батерия и поставете ножицата легнала върху плоска повърхност. Нанесете маслото по протежение на ръба на горния нож.

ЗАБЕЛЕЖЕТЕ: For extended using period, oil the blade during cutting operation.

⚠ ПРЕДУПРЕЖДЕНИЕ: За удължен период на употреба, смажете ножа по време на работа по поддръжане.

ТРАНСПОРТИРАНЕ И СЪХРАНЕНИЕ

- Винаги поставяйте предпазителя на ножа върху ножа преди съхранение или транспортиране на ножицата за жив плет. Бъдете внимателни за да избегнете острите зъби на ножа.
- Почистете изцяло ножицата за жив плет преди съхраняване.
- Съхранете ножицата за жив плет на закрито, на сухо място, което е недостъпно до деца.
- Пазете я от корозивни препарати като градински химикали и сол за обезледяване.

⚠ ПРЕДУПРЕЖДЕНИЕ: Ножовете са остри. Когато работите с устройството на ножа, носете неплъзгащи защитни ръкавици за тежка употреба. Не поставяйте ръката или пръстите си между ножовете или в някоя друга позиция, където могат да бъдат защипани или срязани. НИКОГА не докосвайте ножовете или не обслужвайте уреда с монтирана акумулаторна батерия.

Опазване на околната среда



Не изхвърляйте електрическо оборудване, използвана батерия или зарядно устройство в домакинския отпадък! Отнесете продукта до упълномощена фирма за рециклиране и го предоставете за разделно събиране. Електрическите инструменти трябва да бъдат връщани в съоръжения за рециклиране съвместими с околната среда.

ОТСТРАНЯВАНЕ НА НЕИЗПРАВНОСТИ

ПРОБЛЕМ	ПРИЧИНА	РЕШЕНИЕ
НОЖИЦАТА ЗА ЖИВ ПЛЕТ НЕ РАБОТИ.	<ul style="list-style-type: none"> ■ Акумулаторната батерия не е прикрепена към ножицата за жив плет. ■ Няма електрически контакт между ножицата и батерията ■ Акумулаторната батерия е изтощена. ■ Акумулаторната батерия е твърде гореща. ■ Ножицата за жив плет е твърде гореща. ■ Предният и задният превключващи лостове не са натиснати едновременно. ■ Ножът е блокиран. 	<ul style="list-style-type: none"> ■ Закрепете акумулаторната батерия към ножицата за жив плет. ■ Извадете батерията, проверете контактите и поставете наново акумулаторната батерия. ■ Сменете акумулаторната батерия. ■ Снемете акумулаторната батерия от инструмента, за да се охлади, докато температурата спадне под 67°C. ■ Освободете и двата превключващи лоста; позволете на ножицата да се охлади до нормална температура. ■ Натиснете първо бутона за отключване и след това натиснете превключващите лостове в предната и задната ръкохватка едновременно. ■ Снемете акумулаторната батерия от инструмента, премахнете внимателно прелятствието, след това въведете отново батерията и рестартирайте инструмента.
ПРЕКОМЕРНИ ВИБРАЦИИ ИЛИ ШУМ.	<ul style="list-style-type: none"> ■ Сухи или корозирали ножове. ■ Ножовете или основата на ножа е изкривена. ■ Изкривени или повредени зъби. ■ Разхлабени болтове на ножовете. 	<ul style="list-style-type: none"> ■ Смазвайте ножовете като следвате раздел "СМАЗВАНЕ НА НОЖА" в това ръководство. ■ Подменете с нов нож или основа. Свържете се със сервизен център на EGO за резервен нож или за обслужване по подмяна на основата. ■ Подменете с нов нож. Свържете се със сервизен център на EGO за обслужване по подмяна с резервен нож. ■ Затегнете болтовете на ножа. Като използвате гаечен ключ, завъртете болтовете по часовника за да затегнете.

BG

ГАРАНЦИЯ

ГАРАНЦИОННА ПОЛИТИКА EGO

Моля посетете уебсайта egopowerplus.com за пълните условия по гаранционната политика на EGO.

PROČITAJTE UPUTE U CIJELOSTI!



PROČITAJTE PRIRUČNIK ZA RUKOVATELJE

⚠ UPOZORENJE: Preostale opasnosti! Osobe s elektroničkim uređajima poput srčanih elektrostimulatora, prije uporabe ovog proizvoda trebaju se savjetovati sa svojim liječnikom. Rad električne opreme u neposrednoj blizini srčanih elektrostimulatora može prouzročiti smetnju ili kvar srčanog elektrostimulatora.

⚠ UPOZORENJE: Zbog sigurnosti i pouzdanosti, sve popravke treba obavljati kvalificirani servisni tehničar.

SAFETY SYMBOLS

⚠ UPOZORENJE: Rukovanje električnim alatima može rezultirati odbacivanjem stranih predmeta u oči, što opet može izazvati teške ozljede očiju. Pri radu s električnim alatom nosite zatvorene zaštitne naočale ili zaštitne naočale s bočnim štitnicima, a prema potrebi i štitnik za cijelo lice. Preporučujemo nošenje sigurnosne maske proizvođača Wide Vision preko naočala ili nošenje standardnih zaštitnih naočala s bočnim štitnicima.



Upozorenje u vezi sigurnosti



Pročitajte priručnik za rukovatelje radi smanjenja opasnosti od ozljeda.



Proizvod ne upotrebljavajte na kiši i ne ostavljajte ga na otvorenom kad pada kiša.



Zajamčena razina snage zvuka. Emisija buke u okruženju u skladu je sa smjericama Europske unije.



Ovaj proizvod je u skladu s važećim direktivama EU.



Otpadni električni proizvodi ne smiju se odlagati s otpadom iz kućanstva. Odnosite ih u ovlaštenu centar za reciklažu.



Kada rukujete ovim proizvodom, uvijek nosite zatvorene zaštitne naočale ili zaštitne naočale s bočnim štitnicima i štitnik za cijelo lice.



Nikada ne pokušavajte upravljati električnim alatom koristeći samo jednu ruku. Gubitak kontrole pri radu s električnim alatom može rezultirati ozbiljnom ili kobnom ozljedom. Da biste smanjili rizik od ozljeda, držite ruke i noge podalje od alata za rezanje. Pokretni alat za rezanje nikada nemojte učvršćivati rukom ili bilo kojim drugim dijelom tijela.



Duljina noža



Maks. kapacitet rezanja noža

V Napon

≡ Istosmjerna struja

.../min U minuti

mm Milimetar

cm Centimetar

n_0 Brzina bez opterećenja

HR

TEHNIČKI PODACI

Model	HT2410E	HT2000E	
Napon	56 V ---	56 V ---	
Brzina u praznom hodu	1500 /min	1500 /min	
Duljina oštrice	61 cm	51 cm	
Kapacitet rezanja	26 mm	25 mm	
Masa (bez kompleta baterija)	3,1 kg	2,9 kg	
Preporučena radna temperatura	0 °C - 40 °C	0°C-40°C	
Preporučena temperatura skladištenja	-20°C - 70°C	-20°C-70°C	
Izmjerena razina zvučne snage L_{WA}	94,47 dB(A) K=1,5 dB(A)	91,24 dB(A) K=1,03 dB(A)	
Razina zvučnog tlaka na mjestu rukovatelja L_{PA}	83,9 dB(A) K=3,0 dB(A)	80,62 dB(A) K=3,0 dB(A)	
Zajamčena razina zvučne snage L_{WA} (u skladu s Direktivom 2000/14/EZ)	96 dB(A)	92 dB(A)	
Vibracija ah	Prednja drška	1,8 m/s ² K=1,5 m/s ²	2,195 m/s ² K=1,5 m/s ²
	Stražnji rukohvat	1,7 m/s ² K=1,5 m/s ²	1,836 m/s ² K=1,5 m/s ²

- Deklarirane ukupne vrijednosti vibracija izmjerene su u skladu sa standardnom metodom ispitivanja i mogu se koristiti za usporedbu jednog alata s drugim.
- Deklarirane ukupne vrijednosti vibracija mogu se koristiti i u preliminarnoj procjeni izloženosti.

NAPOMENA: emisija vibracija tijekom aktualnog korištenja električnog alata može se razlikovati od deklarirane vrijednosti u kojoj se alat koristio; Radi zaštite rukovatelja korisnik treba nositi rukavice i štitnike za uši u aktualnim uvjetima korištenja.

SADRŽAJ PAKIRANJA (SL. A1)

OPIS

UPOZNAJTE SVOJ ŠIŠAČ ŽIVICE (sl. A1)

1. Rupa za ovješene
2. Štitnik za vrh
3. Oštrica
4. Štitnik za ruke

5. Prednji rukohvat
6. Gumb za deblokadu
7. Stražnji rukohvat
8. Gumb za otpuštanje baterije
9. Zapor
10. Električni kontakti
11. Utor za postavljanje baterije
12. Gumb za izbacivanje baterije
13. Stražnja ručica za prebacivanje
14. Prednja ručica za prebacivanje
15. Rupa za ovješene
16. Štitnik oštrice

⚠ UPOZORENJE! Ovaj proizvod isporučen je potpuno sastavljen. Štitnik za ruke nikad se ne smije uklanjati tijekom uporabe. U slučaju oštećenja, zamjenu odmah treba obaviti kvalificirani servisni tehničar.

⚠ UPOZORENJE: Kako biste uređaj mogli koristiti na siguran način, morate razumjeti podatke navedene na samom alatu i u ovom korisničkom priručniku, a potrebno je imati i znanje u vezi zadatak kojeg treba izvršiti. Prije korištenja ovog proizvoda, upoznajte se sa svim radnim funkcijama i pravilima o sigurnosti.

RAD

⚠ UPOZORENJE! Nemojte dopustiti da vas poznavanje ovog proizvoda učini nepažljivim. Imajte na umu da je za nanošenje teških ozljeda dovoljan samo djelić sekunde nepažnje.

⚠ UPOZORENJE: Nosite zaštitu za oči s bočnim štitnicima i zaštitu za sluh. Nepostupanje u skladu s tim može rezultirati odbacivanjem predmeta u oči i drugim mogućim teškim ozljedama.

⚠ UPOZORENJE: Kako biste spriječili slučajno pokretanje koje bi moglo prouzročiti teške tjelesne ozljede, prije montiranja dijelova, podešavanja, čišćenja ili nekorištenja, uklonite baterijski modul iz alata.

⚠ UPOZORENJE: Nemojte koristiti priključke ili dodatnu opremu koje nije preporučila tvrtka EGO™. Uporaba priključaka ili pribora koji nije preporučen može dovesti do ozbiljnih tjelesnih ozljeda.

Prije svake uporabe pregledajte cijeli proizvod u pogledu oštećenja, dijelova koji nedostaju ili odvojenih dijelova kao što su vijci, matice, svornjaci, kapice i sl. Dobro pritegnite sve pričvrstne elemente i kapice i ne koristite proizvod

dok se svi dijelovi koji nedostaju ili oštećeni dijelovi ne zamijene.

PRIMJENA

HT2410E: Ovaj proizvod možete upotrebljavati za šišanje živica, šiblja i grmova promjera grana manjeg od $\varnothing 26$ mm (HT2410E)/ $\varnothing 25$ mm (HT2000E).

NAPOMENA: alat se smije koristiti samo za prethodno opisanu namjenu. Svaka druga uporaba smatra se nepropisnom uporabom.

UGRADNJA/UKLANJANJE BATERIJSKOG MODULA

Upotrebljavajte samo s baterijskim modulima i punjačima koji su navedeni na sl. A2.

Napunite prije prve uporabe.

Ugradnja (sl. B)

Poravnajte rebra baterije s utorima za postavljanje i utiskujte baterijski modul prema dolje sve dok ne začujete "klik".

Uklanjanje (sl. C)

Utisnite gumb za oslobađanje baterije i izvucite baterijski modul.

⚠ UPOZORENJE: Prije pritiska gumba za oslobađanje baterije, uvjerite se jesu li vaša stopala, djeca i domaće životinje na sigurnoj udaljenosti. Ako baterijski modul ispadne, može doći do teških ozljeda. NEMOJTE vaditi baterijski modul kada ste u povišenom položaju.

DRŽANJE ŠKARA ZA ŽIVICU (sl. D, E i F)

Jedinica ima i prednji i stražnji rukohvat. Držite jedinicu objema rukama oštrice usmjerene od vas. Ručica za prebacivanje na prednjem rukohvatu može se aktivirati sa svake od triju strana, čime se vam se pruža više odabira za ugodan zahvat tijekom obavljanja radova rezanja.

⚠ UPOZORENJE! Uvijek držite obje ruke na rukohvatima škara za živicu. Nemojte nikad jednom rukom držati šiblje dok drugom rukom rukujete škarama za živicu. Zanimarivanje ovog upozorenja može rezultirati teškim ozljedama.

POKRETANJE/ZAUSTAVLJANJE ŠKARA ZA ŽIVICU

Prije rukovanja uklonite štitnik i objema rukama držite škare za živicu. Jednu ruku držite na stražnjem rukohvatu, a drugu na prednjem rukohvatu. Zatim provjerite držanje i

ravnotežu, uspravan položaj tijela i propisnu razdaljinu za rezanje.

Pokretanje

1. Stavite komplet baterija.
2. Jednom rukom pritisnite ručicu za prebacivanje na prednjem rukohvatu i držite je pritisnutom.
3. Palcem druge ruke pritisnite gumb za deblokadu i držite ga pritisnutim, a zatim za pokretanje škara za živicu prstima stisnite stražnju ručicu za prebacivanje. Otpustite gumb za deblokadu i nastavite stiskati okidač za kontinuirani rad.

Zaustavljanje

Odmaknite škare za živicu od područja rezanja i za njihovo zaustavljanje otpustite stražnju ručicu za prebacivanje.

⚠ UPOZORENJE! Komplet baterija uvijek izvadite iz škara za živicu tijekom stanki i po završetku radova.

UPOTREBA ŠIŠAČA ŽIVICE

⚠ UPOZORENJE: Ako se nož zaglavi na bilo kojem električnom kabelu ili vodu, NEMOJTE DIRATI NOŽ! ON MOŽE POSTATI ELEKTRIČNO VODLJIV I TIME VRLO OPASAN. Šišač živice nastavite držati za izoliranu stražnju dršku ili ga na siguran način položite na tlo i podalje od sebe. Prije pokušaja oslobađanja noža iz električnog voda ili kabela isključite strujno napajanje oštećenog voda ili kabela. Nepoštivanje ovog upozorenja može dovesti do teških tjelesnih ozljeda, čak i smrti.

⚠ UPOZORENJE: Nemojte predugo rezati bez prestanka i nemojte rezati gusto grmlje. U protivnom bi se mogli saviti i usporiti noževi, zbog čega će opasti učinkovitost rezanja.

OBAVIJEST: Škare za živicu smiju se upotrebljavati za rezanje stablika debljine manje od 26 mm.

OBAVIJEST: Kada režete novoizrasle grančice, koristite široke pokrete kao da kosite tako da grančice ulaze izravno u rezni nož. Kada režete starije raslinje, za rezanje debljih grančica bit će dovoljan pokret kao da pilite. Ako želite odrezati najprije velike grane, predlažemo da koristite ručnu pilu ili pilu za podrezivanje.

Rezanje s vrha

Koristite široki pokret. Ako rezne noževe nagnete blago prema dolje u smjeru pomicanja, postići ćete najbolje rezultate. Još bolji učinak postići ćete ako koristite užu prema kojem ćete poravnati visinu reza živice, kao što je prikazano na slici G.

Bočno rezanje

Kad šišate bočne strane živice, započnite odozdo i režite prema gore kako je prikazano na sl. H. Bočnu stranu živice šišajte tako da bude malo uža na vrhu. Ovaj oblik omogućit će izlaganje većeg dijela živice sunčevoj svjetlosti, što će rezultirati ravnomjernijim rastom.

ODRŽAVANJE

⚠ UPOZORENJE! Pri servisiranju koristite samo identične zamjenske dijelove. Korištenje drugih dijelova može izazvati opasnost ili prouzročiti oštećenje proizvoda. Radi osiguranja sigurnosti i pouzdanosti sve popravke treba obavljati kvalificirani servisni tehničar.

⚠ UPOZORENJE: Radi izbjegavanja teških tjelesnih ozljeda, pri čišćenju ili obavljanju podešavanja komplet baterija uvijek izvadite iz proizvoda.

ČIŠĆENJE

- Za uklanjanje ostataka sa svih otvora za zrak i s reznog noža koristite meku četku.
- Da biste uklonili smolu i druge ljepljive ostatke, poprsajte nož otapalom za smolu. Pokrenite motor kratko tako da se otapalo ravnomjerno rasporedi.
- Prebrišite površinu suhom krpom.

⚠ UPOZORENJE: Za čišćenje vašeg šišača nikada ne koristite vodu. Pri čišćenju plastičnih dijelova izbjegavajte koristiti otapala. Većina plastike podložna je oštećenju različitih vrsta komercijalnih otapala. Za uklanjanje nečistoće, prašine, ulja, masti i sl. koristite čiste krpe.

OŠTRENJE REZNOG NOŽA

1. Pokrenite škare za živicu i zaustavite ih tako da rezna oštrica i štitnik budu u položaju blagog odstupanja kako je prikazano na sl. I. Time će se omogućiti slobodan prostor za turpiju između reznog zuba i zuba štitnika.
2. Izvadite komplet baterija iz škara za živicu.
3. Stegnite sklop oštrice u škripcu i isturpijajte izloženu reznu površinu svakog zuba oštrice. Uklonite što je moguće manje materijala. Pri turpijanju vodite računa da zadržite originalni kut svakog zuba.
4. Izvadite škare za živicu iz škripca, ponovno ih pokrenite i zaustavite kako biste izložili nenaoštrene rubove zuba oštrice.
5. Izvadite komplet baterija i ponovite gore navedeni postupak oštrenja.

NAPOMENA: Nemojte raditi sa šišačem živice s tupim ili oštećenim reznim nožem. To može uzrokovati preopterećenje i neće rezultirati zadovoljavajućim rezultatima rezanja.

PODMAZIVANJE OŠTRICE (sl. J)

Podmažite nož šišača laganim strojnim uljem nakon svake upotrebe kako bi uređaj dobro i dugotrajno radio.

Izvadite komplet baterija i položite škare za živicu na ravnu površinu. Nanesite ulje duž ruba gornje oštrice.

⚠ OBAVIJEST: Ako uređaj namjeravate koristiti dulje razdoblje, nož podmažite tijekom rezanja.

⚠ UPOZORENJE: Nemojte podmazivati šišač živice za vrijeme njegova rada.

TRANSPORT I SKLADIŠTENJE

- Prije skladištenja ili transporta škara za živicu na oštricu uvijek postavite štitnik. Budite oprezni kako biste izbjegli oštre zube oštrice.
- Šišač živice temeljito očistite prije skladištenja.
- Šišač živice pohranite na suhom mjestu koje nije dostupno djeci.
- Držite ga dalje od korozivnih sredstava kao što su vrtno kemikalije i soli za odleđivanje.

⚠ UPOZORENJE: Nož je oštar. Prilikom rukovanja sklopom noža nosite zaštitne rukavice koje se ne klišu, za teške radne uvjete. Ne stavlajte ruke ili prste između oštrica noža ili na bilo koje mjesto gdje bi moglo doći do štipanja ili rezanja. NIKADA nemojte dodirivati nož ili servisirati uređaj dok je postavljena akumulatorska baterija.

Zaštita okoliša



Električnu opremu, iskorištenu bateriju i punjač ne odlažite u otpad iz kućanstva! Ovaj proizvod odnesite u ovlašteni centar za reciklažu i time omogućite odvojeno sakupljanje. Električne alate potrebno je vratiti u ekološki prihvatljiv pogon za reciklažu.

OTKLANJANJE POGREŠKI

PROBLEM	UZROK	RJEŠENJE
ŠKARE ZA ŽIVICU NE RADE.	<ul style="list-style-type: none"> ■ Komplet baterija nije učvršćen na šišač živice. ■ Nema električnog kontakta između šišača i baterije ■ Komplet baterija je ispražnjen. ■ Baterijski modul je prevruć. ■ Šišač živice je prevruć. ■ Prednja i stražnja ručica za prebacivanje ne pritišću se istodobno. ■ Nož je zaglavljen. 	<ul style="list-style-type: none"> ■ Pričvrstite komplet baterija na šišač živice. ■ Izvadite bateriju, provjerite kontakte i ponovno stavite komplet baterija. ■ Napunite komplet baterija. ■ Izvadite baterijski modul iz alata i pričekajte da se ohladi na temperaturu ispod 67 °C. ■ Otpustite obje ručice za prebacivanje. Pričekajte da se škare za živicu ohlade dok se temperatura ne spusti na normalnu temperaturu. ■ Najprije pritisnite gumb za deblokadu, a zatim istodobno pritisnite ručice za prebacivanje na prednjem i stražnjem rukohvatu. ■ Izvadite baterijski modul iz alata, oprezno uklonite zapreku, a zatim vratite bateriju i ponovno pokrenite alat.
Excessive vibration or noise.	<ul style="list-style-type: none"> ■ Suh ili korodiran nož. ■ Oštrice ili držač noža su savijeni. ■ Savijeni ili oštećeni zupci. ■ Otpušteni vijci noža. 	<ul style="list-style-type: none"> ■ Podmažite noževe prema uputama u odjeljku „PODMAZIVANJE NOŽA“ u ovom priručniku. ■ Zamijenite novim držačem noža. Za zamjenske dijelove se obratite ovlaštenom servisnom centru tvrtke EGO. ■ Zamijenite novim nožem. Za zamjenu noža obratite se ovlaštenom servisnom centru tvrtke EGO. ■ Zategnite vijke noža. Viličastim ključem zategnite vijak okretanjem udesno.

JAMSTVO

HR

JAMSTVENA POLITIKA PROIZVOĐAČA EGO

Za cjelokupne uvjete jamstvene politike proizvođača EGO posjetite internetsku stranicu egopowerplus.com.

სრულად გაეცანით ინსტრუქციას!



გაეცანით მომხმარებლის ინსტრუქციას

⚠ გაფრთხილება: არსებული რისკი! პიროვნებებმა ისეთი ელექტრული მოწყობილობებით, როგორცაა იმპლანტირებული დეფიბრილატორი, უნდა მიმართონ პირად ექიმს რჩევების ან პროდუქტის გამოყენებამდე. იმპლანტირებულ დეფიბრილატორთან უშუალო სიახლოვეს ელექტრული მოწყობილობის ოპერირებამ შესაძლოა დეფიბრილატორს ხელი შეუშალოს მუშაობაში ან გათიშოს იგი.

⚠ გაფრთხილება: ხელსაწყო უსაფრთხოდ და გამართულად მუშაობისთვის საჭიროა მისი ყველა შეკეთება და ნაწილის შეცვლა შესრულდეს კვალიფიციური სერვისის ტექნიკოსის მიერ.

უსაფრთხოების წესის სიმბოლოები

⚠ გაფრთხილება: ელექტრული ხელსაწყო გამოყენებისას შესაძლოა უცხო სხეულის თვალბის მიდამოში მოხვედრა, რამაც შესაძლოა გამოიწვიოს თვალის მნიშვნელოვანი დაზიანება. ელექტრული ხელსაწყო გამოყენებამდე აუცილებლად მოირგეთ უსაფრთხოების თვალსაფარი ან სათვალე მყარი თვალის დამცავებით და მთლიანი სახის ეკრანით. ჩვენ რეკომენდაციას ვუწვევთ ფართო ხედვის არის მქონე უსაფრთხოების ნიღაბს სათვალეებთან ერთად ან სტანდარტულ გვერდითა ეკრანების მქონე უსაფრთხოების სათვალეებს.



უსაფრთხოების გაფრთხილება



დაზიანების რისკის შესამცირებლად მომხმარებელმა უნდა წაიკითხოს ხელსაწყო მუშაობის ინსტრუქცია.



არ გამოიყენოთ წვიმაში ან დატოვოთ გარეთ წვიმის დროს.



გარანტირებული ხმის სიმძლავრის დონე. გარემოში ხმაურის გავრცელების დონე ევროკავშირის რეგულაციების შესატყვისია.



ხელსაწყო შეესაბამება ევროკავშირის მიერ წამოყენებულ რეგულაციებს.



ელექტრო ხელსაწყოების უტილიზაცია არ უნდა მოხდეს საყოფაცხოვრებო ნარჩენებთან ერთად. წაიღეთ ხელსაწყო ნარჩენების ავტორიზებულ გადამამუშავებელთან.



ყოველთვის მოირგეთ უსაფრთხოების თვალსაფარი ან გვერდითა ეკრანების მქონე უსაფრთხოების სათვალე და მთლიანი სახის ეკრანი ხელსაწყოთი სარგებლობისას.



არასოდეს შეეცადოთ ელექტრული ხელსაწყოს ერთი ხელით გამოეყენებას. ამან შესაძლოა გამოიწვიოს ხელსაწყოზე კონტროლის დაკარგვა და მოგაყენოთ სერიოზული ან ფატალური ზიანი. დაზიანების რისკის შესამცირებლად მთავრად ხელები და ფეხები მჭრელ ნაწილებს არასოდეს მიახლოეთ მოძრავი ხელსაწყო თქვენი ხელით ან სხეულის სხვა ნაწილით.



დანის სიგრძე



დანის მაქს. ჭრის უნარი

V ძაბვა

მუდმივი დენი

.../min წუთში

mm მილიმეტრი

cm სანტიმეტრი

n_0 დაუტვირთავი სიჩქარე

KA

სპეციფიკაციები

მოდელი	HT2410E	HT2000E
ძაბვა	56 ვოლტი ⚡	56 ვოლტი ⚡
დაუტვირთავი ბრუნვის სიჩქარე	1500 ბრ/წთ	1500 ბრ/წთ
დანის სიგრძე	61 სმ	51 სმ
ჭრის უნარი	26 მმ	25 მმ
წონა (აკუმულატორის გარეშე)	3,1 კგ	2,9 კგ
რეკომენდირებული საექსპლუატაციო ტემპერატურა:	0°C-40°C	0°C-40°C
რეკომენდირებული დასაწყობების ტემპერატურა:	-20°C-70°C	-20°C-70°C
გაზომილი ხმის სიმძლავრის დონე L_{WA}	94,47 dB(A) K= 1,5 dB(A)	91,24 dB(A) K=1,03 dB(A)
ბგერის წნევის დონე მომხმარებლის პოზიციაზე L_{PA}	83,9 dB(A) K= 3,0 dB(A)	80,62 dB(A) K=3,0 dB(A)
გარანტირებული ხმის სიმძლავრის დონე L_{WA} (2000/14/EC რეგულაციის მიხედვით)	96 dB(A)	92 dB(A)
ვიბრაცია a_h	წინა სახელური	1,8 მ/წმ ² K=1,5 მ/წმ ²
	უკანა სახელური	1,7 მ/წმ ² K=1,5 მ/წმ ²
		2,195 მ/წმ ² K=1,5 მ/წმ ²

- მითითებული ვიბრაციის სრული მნიშვნელობა გაზომილია სტანდარტული ტესტირების მეთოდით და შესაძლოა გამოყენებულ იქნას ერთი ხელსაწყოს მეორესთან შედარებისას.
- მითითებული ვიბრაციის სრული მნიშვნელობა ასევე შესაძლოა გამოყენებულ იქნას ზემოქმედების პირველადი შეფასებისას.

შენიშვნა: ელექტრული ხელსაწყოს ვიბრაციის ემისია გამოყენებისას შესაძლოა განსხვავდებოდეს მითითებული

ოდენობისგან; მომხმარებელმა ხელსაწყოთი სარგებლობისას საჭიროა გამოიყენოს ხელთათმანები და ყურის დამცავი საშუალებები.

შეფუთვის ჩამონათვალი (ნახ. A1)

აღწერა

შეისწავლეთ თქვენი ბუჩქის საკრეჭი (ნახ. A1)

1. დასაკიდი ნასვრეტი
2. წვერის დამცავი
3. დანა
4. ხელის დამცავი ეკრანი
5. წინა სახელური
6. ჩამკეტი დილაკი
7. უკანა სახელური
8. აკუმულატორის მოხსნის დილაკი
9. ჩამკეტი
10. ელექტრული კონტაქტები
11. აკუმულატორის სამაგრი
12. აკუმულატორის ამოღებვა
13. უკანა ჩამრთველი ბერკეტი
14. წინა ჩამრთველი ბერკეტი
15. დასაკიდი ნასვრეტი
16. დანის დამცავი ეკრანი

⚠ გაფრთხილება: ეს ხელსაწყო ბოლომდე აწყობილ მდგომარეობაშია. ხელის დამცავი ეკრანის მოხსნა მუშაობისას დაუშვებელია. მისი დაზიანების შემთხვევაში დაუყოვნებლივ შეაცვლევინეთ კვალიფიციურ სერვისის ტექნიკოსს

⚠ გაფრთხილება: ამ ხელსაწყოს უსაფრთხო გამოყენება საჭიროებს მის შესახებ ინფორმაციას და მომხმარებლის ინსტრუქციის გაცნობას, ასევე იმ სამუშაოს ცოდნას, რომლის შესრულებასაც აპირებთ. ხელსაწყოს გამოყენებამდე კარგად გაეცანით მის მუშა ფუნქციებს და უსაფრთხოების წესებს.

გამოყენება

▲ გაფრთხილება: შეეცადეთ მსგავსი პროდუქტის გამოყენების გამოცდილებამ არ გამოიწვიოს თქვენი უგულისყურობა. დაიმახსოვრეთ რომ უგულისყურობამ წამის მეათედშიც კი შესაძლოა მოგიტანოთ სერიოზული ზიანი.

▲ გაფრთხილება: ყოველთვის მოირგეთ გვერდითა ეკრანების მქონე უსაფრთხოების სათვალე და სმენის დამცავი საშუალება. ამ ინსტრუქციის უგულებელყოფამ შესაძლოა გამოიწვიოს სხვადასხვა სხეულის თვალში მოხვედრა და სხვა შესაძლო სერიოზული ზიანი.

▲ გაფრთხილება: უცაბედი ჩართვის გამოსარიცხად, რომელმაც შესაძლოა გამოიწვიოს სერიოზული პერსონალური ზიანი, ყოველთვის მოხსენით აკუმულატორი ხელსაწყოს, როდესაც ხდება მისი აწყობა, რეგულირება, წმენდა ან როდესაც არ ხდება ხელსაწყო გამოყენება.

▲ გაფრთხილება: არ გამოიყენოთ სხვა ნებისმიერი ნაწილი, რომელიც არაა რეკომენდირებული EGO™-ს მიერ. არარეკომენდირებული ნაწილის გამოყენებამ შესაძლოა მოგაყენოთ სერიოზული ზიანი.

ყოველი გამოყენების წინ შეამოწმეთ ხელსაწყო შესაძლო დაზიანებული, დაკარგული ან მოშვებული ნაწილები, როგორცაა ხრახნები, ქანჩები, ჭანჭიკები, ხუფები და ა.შ. მჭიდროდ დაუჭირეთ ყველა სამაგრი და ხუფი და არ ამუშაოთ ხელსაწყო, სანამ ყველა დაკარგული ან დაზიანებული ნაწილი არ შეიცვლება.

გამოყენება

HT2410E: თქვენ შეგიძლიათ ამ ხელსაწყოს გამოყენება ბუჩქოვანი ღობის, ჩირგვების და ბუჩქების გასაკრეკად, რომელთა ტოტების დაამეტრი (HT2410E) 26 მმ / (HT2000E) 25 მმ-ზე ნაკლებია.

შენიშვნა: ხელსაწყოს გამოყენება შესაძლებელია მხოლოდ დანიშნულებისამებრ. სხვა ნებისმიერი სარგებლობა ჩაითვლება როგორც

არამიზნობრივი გამოყენების შემთხვევა.

აკუმულატორის დამონტაჟება/მოხსნა
გამოიყენეთ მხოლოდ ის აკუმულატორის ბლოკები და დამტენები, რომლებიც მითითებულია სურ. A2-ში.

დატენეთ პირველ ჯერზე სარგებლობამდე. დასამონტაჟებლად (ნახ. B)

გაუსწორეთ აკუმულატორის სამაგრები ბუდის ნავსრეტებს და დააწეეთ აკუმულატორს, სანამ არ გაიგებთ „წკაპ“ ხმას.

მოსასხნელად (ნახ. C)

დააჭირეთ აკუმულატორის გამშვებ დილაკს და ამოიღეთ აკუმულატორი.

გაფრთხილება: ყოველთვის შეამოწმეთ თქვენი ფეხების, ზავშვების ან შინაური ცხოველების მდებარეობა აკუმულატორის გამშვები დილაკის დაჭირვისას.

აკუმულატორის დაცემამ შესაძლოა გამოიწვიოს სერიოზული ფიზიკური ზიანი. არასდროს მოხსნათ აკუმულატორი სიმაღლეზე.

ბუჩქის საკრეკის ჭერის წესი (ნახ. D, E და F)

ხელსაწყოს აქვს ორივე, წინა და უკანა სახელური. დანა მიაქციეთ თქვენგან მოშორებით და დაიჭირეთ ხელსაწყო ორივე სახელურით. წინა სახელურზე მდებარე ჩამრთველი ბერკეტის აქტივირება შესაძლოა სამივე გვერდიდან, რაც გაძლევთ სახელურზე კომფორტულად ხელის მოჭიდების საშუალებას მუშაობისას.

გაფრთხილება: ყოველთვის გეჭიროთ ბუჩქის საკრეკი ორივე ხელით სახელურებზე. არასოდეს დაიჭიროთ ბუჩქი ერთი ხელით, როდესაც მეორეთი ამუშავებთ საკრეკს. ამ ინსტრუქციის უგულებელყოფამ შეიძლება მოგაყენოთ სერიოზული ფიზიკური ზიანი.

ბუჩქის საკრეკის ჩართვა/გამორთვა

საკრეკით სარგებლობამდე დაიჭირეთ ის ორივე ხელით, მოათავსეთ ერთი ხელი უკანა სახელურზე, ხოლო მეორე - წინა სახელურზე. დარწმუნდით რომ დგახართ მყარად ფეხზე, უსაფრთხოდ და იცავით კრეკვისას სწორ დისტანციას.

KA

ჩასართავად

1. ჩასვით აკუმულატორი.
2. დააწეით და დაიჭირეთ წინა სახელურზე მდებარე ჩამრთველი ბერკეტი ერთი ხელით.
3. დააწეით და დაიჭირეთ ჩამკეტი ღილაკი თქვენი მეორე ხელის ცერით, ხოლო თითებით კი მოუჭირეთ უკანა ჩამრთველ ბერკეტს, რათა ჩართოთ ბუჩქის საკრეჭი. ხელი გაუშვით ჩამკეტ ღილაკს და გააგრძელეთ ტრიგერზე თითის დაჭერა მუშაობის გასაგრძელებლად.

გამოსართველად

მოაცილეთ ბუჩქის საკრეჭი სამუშაო არეს და გაუშვით უკანა ჩამრთველი ხელი, რათა გააჩეროთ ბუჩქის საკრეჭი.

▲ გაფრთხილება: ყოველთვის მოხსენით აკუმულატორი ხელსაწყოს შესვენებისას ან სამუშაოს დამთავრებისთანავე.

ბუჩქის საკრეჭის გამოყენების წესი

▲ გაფრთხილება: თუ დანა გაიჭედება რაიმე დენის სადენს ან ხაზში, ხელი არ მოკიდოთ მას! ის შესაძლოა გახდეს დენის გამტარი და ძალიან სახიფათო. ხელი მოკიდეთ მხოლოდ ბუჩქის საკრეჭის იზოლირებულ უკანა სახელურს ან ფრთხილად და უსაფრთხოდ დადეთ მიწაზე თქვენგან მოშორებით. გათიშეთ დაზიანებული ხაზის ან სადენის დენის წყარო სანამ შეეცდებით დანის გამოსხნას. ჩამოთვლილი ინსტრუქციების უგულბელობა გამოიწვევს სერიოზული ფიზიკურ ზიანს და შესაძლოა სიკვდილს..

▲ გაფრთხილება: მოერიდეთ ერთ ჯერზე ბევრის მოჭრას ან ხშირი ბუჩქნარის გაკაფვას. ამან შესაძლოა გამოიწვიოს დანის გახლართვა და შენელება, რაც შეამცირებს ჭრის ეფექტურობას.

შენიშვნა: საკრეჭის გამოყენება შესაძლოა ისეთი ღეროების მოსაჭრელად, რომელთა სისქე (26 მმ)-ზე მცირეა.

შენიშვნა: ნორჩი მცენარეებისთვის ხელსაწყოს ფართო მოძრაობით მისაღებია ტოტების საკრეჭის მიერ პირდაპირ მოჭრა.

მეტად ასაკოვანი ნაზარდისთვის, ხერხვის ტიპის მოძრაობა მეტად მისაღებია მსხვილი ტოტების მოჭრისთვის. დასაწყისში არაელექტრული ხელის ხერხის ან გამსხვი ხერხის გამოყენება რეკომენდირებულია მსხვილი ტოტების მოსაჭრელად.

ზევიდან ჭრა

გამოიყენეთ ფართო ჭრის მოძრაობა. მოძრაობის მიმართულებით საჭრელი დანის ოდნავი დახრა იძლევა საუკეთესო ჭრის რეზულტატებს. უკეთესი ჭრის ეფექტისთვის შესაძლებელია ბაწრის გამოყენება, ბუჩქზე ჭრის მიმართულების საჩვენებლად როგორც ნახ. G არის მითითებული.

გვერდული ჭრა

ბუჩქის გვერდების გაკრეჭისას დაიწყეთ ქვედა ნაწილიდან და აჭერით ზედა მიმართულებით, როგორც ნაჩვენებია ნახ. H. გაკრეჭეთ ბუჩქის კიდევბი ისე რომ ის ოდნავ ვიწრო იყოს ზედა მხარეს. ეს ბუჩქის მეტ ნაწილს მოახვედრებს მზის სხივების ქვეშ, რაც გამოიწვევს ბუჩქის მეტად თანაბარ ზრდას.

ექსპლუატაცია

▲ გაფრთხილება: ტექნიკური სერვისისას გამოიყენეთ მხოლოდ იდენტური სათადარიგო ნაწილები. სხვა ნებისმიერი ნაწილის გამოყენებამ შესაძლოა შექმნას საფრთხე ან გამოიწვიოს ხელსაწყო დაზიანება. ხელსაწყოს უსაფრთხოდ და გამართულად მუშაობისთვის საჭიროა მისი ყველა შეკეთება და ნაწილის შეცვლა შესრულდეს კვალიფიციური სერვისის ტექნიკოსის მიერ.

▲ გაფრთხილება: სერიოზული პერსონალური ზიანისგან თავის არიდების მიზნით ყოველთვის მოხსენით აკუმულატორი ხელსაწყოს როდესაც წმინდავთ მას ან უტარებთ რაიმე ტიპის სერვისს.

განმენდა

- გამოიყენეთ რბილი ფუნჯი რათა მოაცილოთ ნარჩენი საპეროზბსა და საჭრელ დანას.

- კუპრის ან სხვა წებოვანი ნივთიერების მოსაცილებლად მოაპურეთ დანას რეზინის გამხსნელი. მცირე ხნით ჩართეთ მოტორი, რათა გამხსნელი თანაბრად გადანაწილდეს.
- მშრალი ქსოვილით გაწმინდეთ ზედაპირი.

▲ გაფრთხილება: არასდროს გამოიყენოთ წყალი თქვენი ხელსაწყო გასაწმენდად. მორიდეთ გამხსნელების გამოყენებას ხელსაწყო პლასტმასის ნაწილების გაწმენდისას. უმეტესობა პლასტმასები ზიანდება მათზე გამხსნელების გამოყენების შედეგად. გამოიყენეთ სუფთა ტილოები ტალახის, მტვრის, ზეთის, ცხიმის და სხვ. მოსაცილებლად.

მჭრელი დანის ვალესვა

1. ჩართეთ და გათიშეთ ბუჩქის საკრეჭი სანამ საჭრელი დანა და დამცავი ოდნავ წანაცვლებულია, როგორც ნაჩვენებია ნახ. I. ეს საშუალებას მოგვცემს იყოს დაშორება მჭრელ კბილანებსა და დამცავის კბილანებს შორის გაკლიბვის დროს.
2. შენახვამდე მოხსენით აკუმულატორი ბუჩქის საკრეჭს.
3. მოათავსეთ საჭრელი დანა გირაგში და ქლიბით დაამუშავეთ ყოველი კბილის მჭრელი ზედაპირი. მოქლიბეთ რაც შეიძლება ცოტა ლითონი. დარწმუნდით რომ თითოეული კბილანის თავდაპირველი კუთხე შენარჩუნდება მოქლიბვის შემდეგ.
4. მოხსენით საკრეჭი გირაგიდან; ხელახლა ჩართეთ და გააჩერეთ, რათა გამოაჩინოთ დანის კბილების გასალესი კიდეები.
5. მოხსენით აკუმულატორი და გაიმეორეთ ზევით აღწერილი ვალესვიც პროცედურა.

შენიშვნა: არ ამუშაოთ თქვენი ბუჩქის საკრეჭი დაჩლოუნებული არ დაზიანებული საჭრელი დანებით. ამან შესაძლოა გამოიწვიოს ხელსაწყო გადატვირთვა და მოგცეთ არასასურველი რეზულტატი.

დანის შეზეთვა (ნახ. J)

უკეთესი მუშაობისთვისა და დანის ტექნიკური ვადის გასაზრდელად შეზეთეთ ბუჩქის საკრეჭი მსუბუქი მანქანის ზეთით ყოველ ჯერზე გამოყენებამდე და მის შემდეგ.

მოხსენით აკუმულატორი და მოათავსეთ საკრეჭი ბრტყელ ზედაპირზე. შეზეთეთ ზედა დანის პირის გასწვრივ.

შენიშვნა: ხანგრძლივი გამოყენებისას შეზეთეთ დანა მუშაობის პერიოდში.

გაფრთხილება: არ შეზეთოთ ბუჩქის საკრეჭი, როცა იგი ჩართულია.

ტრანსპორტირება და შენახვა

- ყოველთვის დააყენეთ დამცავი დანაზე ხელსაწყო შენახვამდე ან გადატანამდე. გამოიყენეთ სიფრთხილე დანის მჭრელ კბილებთან მიმართებაში.
- საგულდაგულოდ გაწმინდეთ ბუჩქის საკრეჭი შენახვამდე.
- შეინახეთ ის შენობაში ბავშვებისთვის მიუწვდომელ მშრალ ადგილას.
- მოაცილით კოროზიის გამომწვევი ნივთიერებები, როგორცაა სოფლის მეურნეობაში გამოყენებული ქიმიკატები და მოყინვის საწინააღმდეგო ტექნიკური მარილი.

▲ გაფრთხილება: დანის პირი მჭრელია. დანის აწყობის დროს ჩაიცვით მოცურების საწინააღმდეგო, დამცავი ხელთათმანები. არ მოათავსოთ თქვენი ხელი ან თითები დანის პირებს შორის ან ისეთ პოზიციაში სადაც ისინი შეიძლება გაეჭრათ ან ჩაიყვებოთ. არასოდეს შეეხოთ დანის პირებს ან ჩაუტაროთ ხელსაწყო სერვისი, როცა აკუმულატორი შეერთებულია.

KA

გარემოს დაცვა



არ მოათავსოთ ელექტრული მოწყობილობა, დამტენი და აკუმულატორი / მისი ბატარეები საყოფაცხოვრებო ნაგავში! მიუტანეთ ისინი



ავტორიზირებულ ნარჩენების გადამამუშავებელს და მოახდინეთ ასეთი ნარჩენის განცალკევებულად შეგროვება. ელექტრული ხელსაწყოები უნდა ჩაბარდეს ნარჩენების გადამამუშავებელ ორგანოს გარემოს დაცვის ნორმების გათვალისწინებით.

KEES VAN DER SPEK
TUINMACHINES ★ STOLWIJK

KA

გაუმართაობის დიაგნოსტიკა

პრობლემა	მიზეზი	გადაჭრის გზა
ბუჩქის ს-აკრ-ეჭი არ მუშა-ობს	<ul style="list-style-type: none"> ■ აკუმულატორი არ არის შეერთებული ბუჩქის საკრეჭზე. ■ სათიბსა და აკუმულატორს შორის არ არის ელექტრული კონტაქტი. ■ აკუმულატორი დაცლილია. ■ აკუმულატორი ზედმეტად გაცხელებულია. ■ ბუჩქის საკრეჭი ზედმეტად გაცხელებულია. ■ წინა და უკანა ჩამრთველი ბერკეტი არ არის ერთდროულად დაჭერილი. ■ დანა გაჭედებულია. 	<ul style="list-style-type: none"> ■ დაამაგრეთ აკუმულატორი ბუჩქის საკრეჭზე. ■ მოხსენით აკუმულატორი, შეამოწმეთ კონტაქტები და კვლავ მოათავსეთ იგი უკან. ■ დატენეთ აკუმულატორი. ■ მოხსენით აკუმულატორი ხელსაწყო და აცადეთ მას გაგრილება 67°C-ის ქვევით. ■ ხელი გაუშვით ორივე ბერკეტს; აცადეთ საკრეჭს გაგრილება, სანამ ტემპერატურა არ დაუბრუნდება ნორმალურ მნიშვნელობას. ■ ჯერ დააწეით ჩამკეტ ღილაკს და შემდეგ ერთდროულად დააჭირეთ წინა და უკანა სახელურზე მდებარე ჩამრთველ ბერკეტებს. ■ მოხსენით აკუმულატორი ხელსაწყო, ფრთხილად მოაცალეთ გაჭედული საგანი, შემდეგ უკან მიაერთეთ აკუმულატორი და ხელახლა ჩართეთ ხელსაწყო.
გადაჭა-რბებუ-ლი ვ-იბრ-აცია ან ხმ-აური.	<ul style="list-style-type: none"> ■ მშრალი ან დაჟანგული დანები. ■ დანები ან მათი საყრდენი მოღუნულია. ■ მოღუნული ან დაზიანებული კბილები. ■ მოშვებული კბილების ჭანჭიკები. 	<ul style="list-style-type: none"> ■ შეზეთეთ დანა, მიყევით მომხმარებლის ინსტრუქციაში სექციას „დანის შეზეთვა“. ■ შეცვალეთ ახალი დანით ან საყრდენით. მიმართეთ EGO-ს მომსახურების ცენტრს დანის და საყრდენის შეცვლის სერვისისთვის. ■ შეცვალეთ ახალი დანით. მიმართეთ EGO-ს მომსახურების ცენტრს დანის შეცვლის სერვისისთვის. ■ მოუჭირეთ დანის ჭანჭიკები. ქანჩის გასაღების გამოყენებით მოატრიალეთ ჭანჭიკი საათის ისრის მიმართულებით მოსაჭერად.

გარანტია

KA

EGO-ს გარანტიის მომსახურების წესი

გთხოვთ ეწვიოთ ვებ-გვერდს egopowerplus.com, რათა მიიღოთ EGO-ს საგარანტიო მომსახურების სრული დადგენილებები და პირობები.

PROČITAJTE SVA UPUTSTVA!



PROČITAJTE PRIRUČNIK ZA RUKOVAOCA

⚠ UPOZORENJE: Reziidualni rizik! Osobe sa elektronskim uređajima, poput pejsmejkera, treba da konsultuju svog lekara (svoje lekare) pre upotrebe ovog proizvoda. Rukovanje električnom opremom u neposrednoj blizini srčanog pejsmejkera moglo bi da izazove smetnje ili otkazivanje pejsmejkera.

⚠ UPOZORENJE: Da bi se osigurala sigurnost i pouzdanost, sve popravke i zamene treba da radi kvalifikovani servisni tehničar.

SIGURNOSNI SIMBOLI

⚠ UPOZORENJE: Rukovanje svakim električnim alatom može da dovede do izbacivanja stranih tela ka očima, što može da dovede do ozbiljnog oštećenja očiju. Pre započinjanja rada sa električnim alatom, uvek stavite sigurnosne naočare sa bočnim štitnicima ili po potrebi masku za celo lice. Preporučujemo sigurnosnu masku Wide Vision za upotrebu preko naočara ili standardnih sigurnosnih naočara sa bočnim štitnicima.



Sigurnosno upozorenje



Da bi smanjio rizik od povreda, korisnik mora pročitati priručnik za rukovaoca.



Ne koristite po kiši i ne ostavljajte napolju dok pada kiša.



Garantovan nivo jačine zvuka. Emisija buke u okruženju prema Direktivi Evropske zajednice.



Ovaj proizvod je u skladu sa primenjivim EC direktivama.



Otpadne električne proizvode ne bi trebalo odlagati zajedno sa otpadom iz domaćinstva. Odnosite ih u ovlašćeni pogon za reciklažu.



Uvek nosite sigurnosne naočare sa bočnim štitnicima ili po potrebi masku za celo lice kad rukujete ovim proizvodom.



Nikad ne pokušavajte da rukujete električnim alatom jednom rukom. Gubitak kontrole nad električnim alatom može da dovede do ozbiljne ili fatalne povrede. Da biste smanjili rizik od posekotina, držite šake i stopala dalje od alata za sečenje. Nikad ne dodirujte pokretni alat za sečenje šakom ili bilo kojim drugim delom tela.



Dužina noža



Maks. kapacitet sečenja noža

V Voltaža



Jednosmerna struja

.../min U minutu



mm Milimetar

cm Centimetar



n_0 Brzina bez opterećenja

SR

SPECIFIKACIJE

Model	HT2410E	HT2000E	
Voltaža	56 V ---	56 V ---	
Brzina bez opterećenja	1500 /min	1500 /min	
Dužina noža	61 cm	51 cm	
Kapacitet sečenja	26 mm	25 mm	
Težina (bez baterije)	3,1 kg	2,9 kg	
Preporučena radna temperatura	0°C - 40°C	0°C - 40°C	
Preporučena temperatura skladištenja	-20°C - 70°C	-20°C - 70°C	
Izmereni nivo jačine zvuka L_{WA}	94,47 dB(A) K=1,5 dB(A)	91,24 dB(A) K=1,03 dB(A)	
Nivo zvučnog pritiska na mestu rukovaoca L_{PA}	83,9 dB(A) K=3,0 dB(A)	80,62 dB(A) K=3,0 dB(A)	
Garantovan nivo jačine zvuka L_{WA} (prema 2000/14/EC)	96 dB(A)	92 dB(A)	
Vibracije a_h	Prednja drška	1,8 m/s ² K=1,5 m/s ²	2,195 m/s ² K=1,5 m/s ²
	Zadnja drška	1,7 m/s ² K=1,5 m/s ²	1,836 m/s ² K=1,5 m/s ²

- Deklarisana ukupna vrednost vibracije je izmerena u skladu sa standardnim metodom testiranja i može se koristiti za upoređivanje jednog alata sa drugim;
- Deklarisana ukupna vrednost vibracije može se koristiti i u preliminarnoj proceni izlaganja.

NAPOMENA: Emisija vibracija tokom stvarne upotrebe električnog alata može da se razlikuje od deklarisanе vrednosti u kojoj se alat koristi. Da bi se rukovalac zaštitio, korisnik bi trebalo da nosi rukavice i štitičke za uši u stvarnim uslovima korišćenja.

POPIS PAKOVANJA (SLIKA A1)

OPIS

UPOZNAJTE TRIMER ZA ŽIVICU (SLIKA A1)

1. Viseća rupa
2. Zaštita vrha
3. Sečivo
4. Štitnik za ruke
5. Prednja drška

6. Dugme za zaključavanje
7. Zadnja drška
8. Dugme za otključavanje baterije
9. Reza
10. Električni kontakti
11. Proraz za montiranje baterije
12. Izbacivač baterije
13. Zadnja poluga prekidača
14. Prednja poluga prekidača
15. Viseća rupa
16. Štitnik noža

⚠ UPOZORENJE: Ovaj proizvod je isporučen potpuno sklopljen. Štitnik za ruke se nikad ne sme uklanjati tokom upotrebe. Kad se ošteti, zamenite ga kod kvalifikovanog servisnog tehničara.

⚠ UPOZORENJE: Bezbedna upotreba ovog proizvoda zahteva razumevanje informacija na alatu i u ovom priručniku za rukovaoca, kao i znanje o projektu koji planirate. Pre upotrebe ovog proizvoda, upoznajte se sa svim radnim funkcijama i sigurnosnim pravilima.

UKLOPLJENI DEO: RUKOVANJE

⚠ UPOZORENJE: Ne dozvolite da zbog poznavanja ovog proizvoda postanete nemarni. Zapamtite da je delić sekunde nepažnje dovoljan da nanese ozbiljnu povredu.

⚠ UPOZORENJE: Uvek nosite zaštitne naočare za bočnim štitičima i zaštitu za sluh. Nepridržavanje toga može dovesti do predmeta izbačenih prema očima i drugih ozbiljnih povreda.

⚠ UPOZORENJE: Da biste sprečili nehotično pokretanje koje bi moglo izazvati ozbiljne telesne povrede, uvek uklonite bateriju iz alata kada sklapate delove, podešavate, čistite ili kad ga ne koristite.

⚠ UPOZORENJE: Ne koristite nikakve dodatke ili pribor koje nije preporučio EGO™. Upotreba dodataka ili pribora koji nisu preporučeni može da dovede do ozbiljne telesne povrede.

Pre svake upotrebe pregledajte čitav proizvod radi oštećenih, nedostajućih ili labavih delova poput vijaka, navrtnja, zavrtnja, kapica itd. Čvrsto zategnite sve spojeve i kapice i ne rukujte ovih proizvodom dok svi nedostajući ili oštećeni delovi ne budu zamenjeni.

PRIMENA

HT2410E: Možete da koristite ovaj proizvod za orezivanje živica, žbunja i grmlja sa prečnikom grana manjim od ø 26 mm (HT2410E) / ø 25 mm (HT2000E).

NAPOMENA: Alat treba koristiti samo za propisanu svrhu. Svaka druga upotreba smatra se slučajem zloupotrebe.

INSTALIRANJE/VAĐENJE BATERIJE

Koristite samo sa baterijama i punjačima navedenim na slici A2.

Napunite pre prve upotrebe.

Za instalaciju (slika B)

Poravnajte rebra baterije sa prorezima za montiranje i pritisnite bateriju nadole dok ne čujete „klik“.

Za uklanjanje (slika C)

Pritisnite dugme za otključavanje baterije i izvucite bateriju.

⚠ UPOZORENJE: Uvek vodite računa o položaju svojih stopala, dece ili kućnih ljubimaca kad pritisnete dugme za otključavanje baterije. Može doći do ozbiljnih povreda ako baterija ispadne. NIKAD ne vadite bateriju na visokom mestu.

DRŽANJE TRIMERA ZA ŽIVICU (slika D, E i F)

Jedinica ima i prednju i zadnju dršku. Sa nožem okrenutim dalje od sebe, držite jedinicu za obe drške. Poluga prekidača na prednjoj drški može se aktivirati na bilo koju od tri strane, dajući vam mnogo izbora za udoban hvat kad radite operacije sečenja.

⚠ UPOZORENJE: Uvek držite obe ruke na drškama trimera za živicu. Nikad ne držite žbunje jednom rukom dok trimer za živicu držite drugom rukom. Ako se ne pridržavate ovog upozorenja, može doći do ozbiljne povrede.

POKRETANJE/ZAUSTAVLJANJE TRIMERA ZA ŽIVICU

Pre rukovanja, skinite štitičnik i uhvatite trimer sa obe ruke; jedna ruka je na zadnjoj drški a druga ruka je na prednjoj drški. Zatim proverite stabilan položaj nogu, uspravno stajanje i pravilnu udaljenost sečenja.

Za pokretanje

1. Instalirajte bateriju.
2. Jednom rukom pritisnite i držite polugu prekidača na prednjoj drški.

3. Palcem druge ruke pritisnite i držite dugme za zaključavanje a zatim prstima stisnite zadnju polugu prekidača da biste pokrenuli trimer za živicu. Pustite dugme za zaključavanje i nastavite da pritisnete okidač za neprekidni rad.

Za zaustavljanje

Pomerite trimer za živicu dalje od oblasti sečenja i pustite zadnju polugu prekidača da biste ga zaustavili.

⚠ UPOZORENJE: Uvek izvadite bateriju iz trimera za živicu tokom pauza u radu i posle završetka rada.

KORIŠĆENJE TRIMERA ZA ŽIVICU

⚠ UPOZORENJE: Ako se nož zaglavi na bilo kakvom strujnom kablju ili vodu, **NE DODIRUJTE NOŽ! MOŽE DA BUDE POD NAPONOM I VEOMA OPASAN.** Nastavite da držite trimer za živicu za izolovanu zadnju dršku ili ga spustite na tlo i dalje od sebe na bezbedan način. Isključite oštećeni kabl iz električne mreže pre no što pokušate da oslobodite nož od kabla. Nepoštovanje ovog upozorenja može dovesti do ozbiljne telesne povrede ili eventualne smrti.

⚠ UPOZORENJE: Izbegavajte da orezujete suviše odjednom ili kroz gusto šiblje. To može da izazove zakačinjanje i usporavanje noževa i da smanji efikasnost sečenja.

NAPOMENA: Trimer treba da se koristi za sečenje stabljika debljine manje od 26 mm.

NAPOMENA: Za mlado rastinje, široko zamahivanje je prikladno za stabljike koje ulaze direktno u nož za sečenje. Za starije rastinje, pokret testerisanja je dobar za orezivanje debljih stabljika. Preporučuje se da se veće stabljike prvo orežu ručnom testerom ili testerom za potkresivanje koje nisu na struju.

Sečenje vrha

Koristite širok pokret zamahivanja. Blago naginjanje noževa nadole u smeru kretanja daje najbolje rezultate sečenja. Za bolji efekat sečenja možete da koristite i kanap da vodi ravan živice, kako je prikazano na slici G.

Bočno sečenje

Kad orezujete bočne strane živice, počnite odole i secite nagore, kako je prikazano na slici H. Orezujte bočnu stranu živice tako da bude malo uža u gornjem delu. Ovaj oblik će izložiti veći deo živice sunčevom svetlu, dovodeći do ravnomernijeg rasta.

ODRŽAVANJE

⚠ UPOZORENJE: Tokom servisiranja, koristite samo identične rezervne delove. Upotreba bilo kakvih drugih delova može da dovede do opasnosti ili da izazove oštećenje proizvoda. Da bi se osigurala sigurnost i pouzdanost, sve popravke treba da radi kvalifikovani servisni tehničar.

⚠ UPOZORENJE: Da biste izbegli ozbiljne telesne povrede, uvek izvadite bateriju iz proizvoda kad ga čistite ili održavate.

ČIŠĆENJE

- Koristite meku četku da uklonite prljavštinu iz svih ulaza za vazduh i sa noža za sečenje.
- Da biste uklonili smolu i druge lepljive ostatke, poprskajte noževе rastvaračem smole. Nakratko pokrenite motor da bi se rastvarač ravnomerno rasporedio.
- Obrišite površinu suvom krpom.

⚠ UPOZORENJE: Nikad ne koristite vodu za čišćenje trimera. Izbegavajte korišćenje rastvarača kada čistite plastične delove. Većina plastike je podložna oštećenjima od raznih tipova komercijalnih rastvarača. Koristite čistu krpu da uklonite zemlju, prašinu, ulje, masnoću itd.

OŠTRENJE NOŽA ZA SEČENJE

1. Pokrenite i zaustavite trimer za živicu dok nož i štitnik ne budu malo u raskoraku, kako je prikazano na slici 1. To će napraviti prostor za turpiju između zuba noža i zuba štitnika.
2. Izvadite bateriju iz trimera za živicu.
3. Stegnite sklop noža u stegu i turpijajte izloženu površinu za sečenje na svakom zubu noža. Uklonite što je moguće manje materijala. Vodite računa da očuvate prvobitni ugao svakog zuba kad turpijate.
4. Izvadite trimer za živicu iz stega; ponovo ga pokrenite i zaustavite da biste izložili nenaoštrene ivice zuba noža.
5. Izvadite bateriju i ponovite proceduru oštrenja iznad.

NAPOMENA: Ne rukujte trimером sa tupim ili oštećenim noževima za sečenje. To može da izazove preopterećenje i daće nezadovoljavajuće rezultate sečenja.

PODMAZIVANJE NOŽA (slika J)

Za najbolji rad i duži radni vek noža, podmazujte nož trimera za živicu lakim mašinskim uljem pre i posle svake upotrebe.

Izvadite bateriju i položite trimer na ravnu površinu. Nanesite ulje duž ivice gornjeg noža.

NAPOMENA: Za periode produžene upotrebe, podmažite nož tokom operacije sečenja.

⚠ UPOZORENJE: Ne podmazujte trimer za živicu dok radi.

TRANSPORTOVANJE I SKLADIŠTENJE

- Uvek stavite štitnik na nož pre skladištenja ili transportovanja trimera za živicu. Budite oprezni da biste izbegli oštre zube noža.
- Temeljno očistite trimer za živicu pre no što ga uskladištite.
- Skladištite trimer za živicu u zatvorenom prostoru, na suvom mestu koje nije dostupno deci.
- Držite dalje od korozivnih sredstava poput baštenskih hemikalija i soli za odmrzavanje.

⚠ UPOZORENJE: Noževi su oštri. Kad rukujete sklopom noža, nosite čvrste zaštitne rukavice koje se ne klizu. Ne stavljajte šake ili prste između noževa ili u bilo koji položaj gde se možete uštinuti ili poseći. NIKAD ne dodirujte noževе i ne servisirajte jedinicu kad je baterija instalirana.

Zaštita životne sredine



Ne odlažite električnu opremu, potrošene baterije i punjače u kućni otpad! Odnosite ovaj proizvod u ovlašćeni pogon za reciklažu ili ga odvojite od ostalog smeća radi zasebnog prikupljanja. Električni alati moraju se odneti u ekološki prihvatljiv pogon za reciklažu.

REŠAVANJE PROBLEMA

PROBLEM	UZROK	REŠENJE
TRIMER ZA ŽIVICU NE RADI	<ul style="list-style-type: none"> ■ Baterija nije spojena na trimer za živicu. ■ Nema električnog kontakta između trimera i baterije ■ Baterija je prazna. ■ Baterija je prevruća. ■ Trimer za živicu je prevruć. ■ Prednja i zadnja poluga prekidača nisu pritisnute istovremeno. ■ Nož je zaglavljen. 	<ul style="list-style-type: none"> ■ Spojite bateriju na trimer za živicu. ■ Izvadite bateriju, proverite kontakte i ponovo instalirajte bateriju. ■ Napunite bateriju. ■ Izvadite bateriju iz alata i ostavite je da se hladi dok temperatura ne padne ispod 67 °C. ■ Pustite obe poluge prekidača; ostavite trimer da se hladi dok temperatura ne padne na normalu. ■ Prvo pritisnite dugme za zaključavanje a zatim pritisnite poluge prekidača na prednjoj i zadnjoj drški istovremeno. ■ Izvadite bateriju iz alata, pažljivo uklonite začepljenje, zatim ponovo umetnite bateriju i ponovo pokrenite alat.
DOLAZI DO PREKOMERNIH VIBRACIJA ILI BUKE	<ul style="list-style-type: none"> ■ Suvi ili korodirani noževi. ■ Noževi ili nosač noža su savijeni. ■ Savijeni ili oštećeni zubi. ■ Labavi zavrtnji noža. 	<ul style="list-style-type: none"> ■ Podmažite noževe, prateći odeljak „PODMAZIVANJE NOŽA“ u ovom priručniku. ■ Zamenite novim nožem ili nosačem. Obratite se EGO servisnom centru za uslugu zamene noža ili nosača. ■ Zamenite novim nožem. Obratite se EGO servisnom centru za uslugu zamene noža. ■ Zategnite zavrtnje noža. Ključem okrenite zavrtnj u smeru kazaljke na satu da biste ga zategnuli.

GARANCIJA

EGO POLITIKA GARANCIJE

Posetite veb-lokaciju egopowerplus.com za potpune uslove i odredbe EGO politike garancije.

PROČITAJTE UPUTSTVO U CIJELOSTI!



PROČITAJTE KORISNIČKI PRIRUČNIK

⚠ UPOZORENJE! Preostale opasnosti! Osobe s elektroničkim uređajima poput srčanih elektrostimulatora prije upotrebe ovog proizvoda trebaju se posavjetovati sa svojim ljekarom. Rad električne opreme u neposrednoj blizini srčanih elektrostimulatora može uzrokovati smetnju ili kvar srčanog elektrostimulatora.

⚠ UPOZORENJE! Radi osiguranja sigurnosti i pouzdanosti, sve popravke i zamjene treba obavljati kvalifikovani servisni tehničar.

SIGURNOSNI SIMBOLI

⚠ UPOZORENJE! Rukovanje električnim alatima može rezultirati odbacivanjem stranih predmeta u oči, što opet može izazvati teška oštećenja očiju. Prije početka rukovanja električnim alatom, uvijek nosite zatvorene zaštitne naočale ili zaštitne naočale s bočnim štitičnicima, a prema potrebi i štitičnik za cijelo lice. Preporučujemo nošenje sigurnosne maske proizvođača Wide Vision preko naočala, ili nošenje standardnih zaštitnih naočala s bočnim štitičnicima.



Simbol upozorenja



Radi smanjenja opasnosti od povreda, korisnik treba pročitati korisnički priručnik.



Proizvod nemojte upotrebljavati na kiši ili nemojte ga ostavljati na otvorenom kada pada kiša.



Zagarantovani nivo zvučne snage. Emisija buke u okruženju u skladu je s Direktivom Evropske unije.



Ovaj proizvod je u skladu s primjenjivim Direktivama EU.



Otpadni električni proizvodi ne smiju se odlagati s otpadom iz domaćinstva. Odnosite ih u ovlaštenu centar za reciklažu.



Kada upotrebljavate ovaj proizvod, uvijek nosite zatvorene zaštitne naočale ili zaštitne naočale s bočnim štitičnicima i štitičnik za cijelo lice.



Nemojte nikada pokušavati da rukujete električnim alatom jednom rukom. Gubitak kontrole nad električnim alatom može rezultirati teškim ili smrtonosnim povredama. Radi smanjenja opasnosti od posjekotina, držite ruke i stopala podalje od reznog alata. Nemojte nikada pričvršćivati pokretni rezni alat rukom ili drugim dijelom tijela.



Dužina noža



Maks. kapacitet rezanja noža

V Napon

≡ Istosmjerna struja

.../min U minuti

mm Milimetar

cm Centimetar

n_0 Brzina vrtnje bez opterećenja

BS

TEHNIČKI PODACI

Model	HT2410E	HT2000E	
Napon	56 V ---	56 V ---	
Brzina vrtnje bez opterećenja	1500 o/min	1500 o/min	
Dužina noža	61 cm	51 cm	
Kapacitet rezanja	26 mm	25 mm	
Masa (bez kompleta baterija)	3,1 kg	2,9 kg	
Preporučena radna temperatura	0°C - 40 °C	0°C-40°C	
Preporučena temperatura skladištenja	-20°C - 70°C	-20°C-70°C	
Izmjereni nivo zvučne snage L_{VA}	94,47 dB(A) K=1,5 dB(A)	91,24 dB(A) K=1,03 dB(A)	
Nivo zvučnog pritiska kod uha rukovaoca L_{PA}	83,9 dB(A) K=3,0 dB(A)	80,62 dB(A) K=3,0 dB(A)	
Zagarantovani nivo zvučne snage L_{VA} (u skladu s Direktivom 2000/14/EZ)	96 dB(A)	92 dB(A)	
Vibracije a_h	Prednji rukohvat	1,8 m/s ² K=1,5 m/s ²	2,195 m/s ² K=1,5 m/s ²
	Stražnji rukohvat	1,7 m/s ² K=1,5 m/s ²	1,836 m/s ² K=1,5 m/s ²

- Deklarisane ukupne vrijednosti vibracija izmjerene su u skladu sa standardnom metodom ispitivanja i mogu se primjenjivati za poređenje jednog alata s drugim.
- Deklarisane ukupne vrijednosti vibracija mogu se primjenjivati i u preliminarnoj procjeni izloženosti.

NAPOMENA! Emisija vibracija tokom aktualne upotrebe električnog alata može se razlikovati od deklarisanе vrijednosti u kojoj se alat upotrebljavao; Korisnik radi zaštite treba nositi rukavice i štitičke za uši u aktualnim uslovima upotrebe.

LISTA PAKOVANJA (SL. A1)

OPIS

UPOZNAJTE SVOJE MAKAZE ZA ŽIVICU (sl. A1)

1. Otvor za vješanje
2. Štitnik za vrh
3. Nož
4. Štitnik za ruke

5. Prednji rukohvat
6. Dugme za deblokadu
7. Stražnji rukohvat
8. Dugme za oslobađanje baterije
9. Bravica
10. Električni kontakti
11. Utor za postavljanje baterije
12. Dugme za izbacivanje baterije
13. Stražnja ručica za prebacivanje
14. Prednja ručica za prebacivanje
15. Otvor za vješanje
16. Štitnik noža

⚠ UPOZORENJE! Ovaj proizvod isporučen je potpuno sastavljen. Štitnik za ruke nikada se ne smije uklanjati tokom upotrebe. U slučaju oštećenja, zamijenu odmah treba obaviti kvalifikovani servisni tehničar.

⚠ UPOZORENJE! Sigurna upotreba ovog proizvoda zahtijeva razumijevanje informacija na alatu i u ovom korisničkom priručniku, kao i poznavanje radova koje namjeravate obaviti. Prije upotrebe ovog proizvoda upoznajte se sa svim radnim funkcijama i sigurnosnim propisima.

RAD

⚠ UPOZORENJE! Nemojte dozvoliti da vas poznavanje ovog proizvoda učini nepažljivim. Imajte na umu da je za nanošenje teških povreda dovoljan samo djelić sekunde nepažnje.

⚠ UPOZORENJE! Uvijek nosite zaštitne naočale s bočnim štitičnicima, zajedno sa zaštitom za sluh. Nepostupanje u skladu s tim može rezultirati odbacivanjem predmeta u oči i drugim mogućim teškim povredama.

⚠ UPOZORENJE! Radi sprečavanja iznenadnog pokretanja koje može uzrokovati teške tjelesne povrede, uvijek izvadite komplet baterija iz alata kada postavljate dijelove, obavljate radove podešavanja, čišćenja ili kada ne upotrebljavate alat.

⚠ UPOZORENJE! Nemojte upotrebljavati priključke ili pribor koje nije preporučio proizvođač EGO™. Upotreba nepreporučenih priključaka ili pribora može rezultirati teškim tjelesnim povredama.

Prije svake upotrebe pregledajte cijeli proizvod na postojanje oštećenih, nedostajućih ili otpuštenih dijelova, kao što su vijci, matice, osovinice, kapice, itd. Dobro pritegnite sve pričvrstne elemente i kapice i nemojte upotrebljavati ovaj proizvod dok ne postavite sve dijelove koji nedostaju ili zamijenite sve oštećene dijelove.

PRIMJENA

HT2410E: Ovaj proizvod možete upotrebljavati za šišanje živica, šiblja i grmova prečnika grana manjeg od \varnothing 26 mm (HT2410E)/ \varnothing 25 mm (HT2000E).

NAPOMENA! Alat se smije upotrebljavati samo za prethodno opisanu namjenu. Svaka druga upotreba smatra se nepropisnom upotrebom.

POSTAVLJANJE/SKIDANJE KOMPLETA BATERIJA

Proizvod upotrebljavajte samo s kompletima baterija i punjačima koji su navedeni na sl. A2.

Komplet baterija napunite prije prve upotrebe.

Postavljanje (sl. B)

Poravnajte kontakte baterije s montažnim utorima i pritisnite komplet baterija prema dolje dok ne začujete zvuk "klikanja".

Skidanje (sl. C)

Pritisnite dugme za oslobađanje baterije i izvucite komplet baterija.

⚠ UPOZORENJE! Kada pritisnete dugme za oslobađanje baterije, uvijek pazite na položaj stopala, djecu ili kućne ljubimce. Ako komplet baterija padne, može doći do teških povreda. Komplet baterija nemojte NIKADA vaditi na visokom položaju.

DRŽANJE MAKAZA ZA ŽIVICU (sl. D, E i F)

Jedinica ima i prednji i stražnji rukohvat. Držite jedinicu objema rukama noža usmjerenog od vas. Ručica za prebacivanje na prednjem rukohvatu može se aktivirati sa svake od triju strana, čime se vam se pruža više odabira za ugodan zahvat tokom obavljanja radova rezanja.

⚠ UPOZORENJE! Uvijek držite obje ruke na rukohvatima makaza za živicu. Nemojte nikada da jednom rukom držite šiblje dok drugom rukom rukujete makazama za živicu. Zanemarivanje ovog upozorenja može rezultirati teškim povredama.

STARTING/STOPPING THE HEDGE TRIMMER

Before operating, remove the shield and hold the trimmer with both hands, one hand on the rear handle and the other on the front handle. Then check for stable footing, upright standing and a proper cutting distance.

POKRETANJE/ZAUSTAVLJANJE MAKAZA ZA ŽIVICU

Prije rukovanja uklonite štitnik i objema rukama držite makaze za živicu. Jednu ruku držite na stražnjem rukohvatu, a drugu na prednjem rukohvatu. Zatim provjerite držanje i ravnotežu, uspravan položaj tijela i propisnu udaljenost za rezanje.

Pokretanje

1. Postavite komplet baterija.
2. Jednom rukom pritisnite ručicu za prebacivanje na prednjem rukohvatu i držite je pritisnutom.
3. Palcem druge ruke pritisnite dugme za deblokadu i držite ga pritisnutim, a zatim za pokretanje makaza za živicu prstima stisnite stražnju ručicu za prebacivanje. Otpustite dugme za deblokadu i nastavite stiskati okidač za kontinuirani rad.

Zaustavljanje

Odmaknite makaze za živicu od područja rezanja i za njihovo zaustavljanje otpustite stražnju ručicu za prebacivanje.

⚠ UPOZORENJE! Komplet baterija uvijek izvadite iz makaza za živicu tokom pauza i nakon završetka radova.

UPOTREBA MAKAZA ZA ŽIVICU

⚠ UPOZORENJE! Ako se nož zaglavi u strujni kabel ili vod, **NEMOJTE DODIRIVATI NOŽ! NOŽ MOŽE POSTATI ELEKTRIČNO VODLJIV I VRLO OPASAN.** Makaze za živicu nastavite držati za izolirani stražnji rukohvat ili ih na siguran način položite na tlo i podalje od sebe. Prije pokušaja oslobađanja noža iz strujnog voda ili kabela isključite strujno napajanje oštećenog voda ili kabela. Zanemarivanje ovog upozorenja može rezultirati teškim ozljedama pa čak i smrću.

⚠ UPOZORENJE! Izbjegavajte prekomjerno šišanje odjednom ili kroz gusto grmlje. To može uzrokovati sputavanje i usporavanje noževa uz smanjenje učinkovitosti rezanja.

NAPOMENA! Makaze za živicu smiju se upotrebljavati za rezanje stabljika debljine manje od (26 mm).

NAPOMENA! Kod rezanja novoizraslih grančica primjenjujte široke zakretne pokrete kako bi grančice direktno dospjele u rezni nož. Kod starijih grančica primjenjujte pokrete žaganja za rezanje debljih grančica. Za rezanje velikih grana preporučujemo da prvo upotrijebite ručnu žagu ili žagu za stabla bez motornog pogona.

Rezna nit

Režite širokim zakretnim pokretima. Blagim nagibom reznih noževa prema dolje u smjeru kretanja postižu se najbolji rezultati rezanja. Za bolji učinak rezanja možete upotrijebiti i nit za vođenje prema nivou živice kako je prikazano na sl. G.

Bočno rezanje

Kada šišate bočne strane živice, počinite odozdo i režite prema gore kako je prikazano na sl. H. Bočnu stranu živice šišajte tako da bude malo uža na vrhu. Ovaj oblik omogućit će izlaganje većeg dijela živice sunčevoj svjetlosti, što će rezultirati ravnomjernijim rastom.

ODRŽAVANJE

⚠ UPOZORENJE! Kada obavljate radove servisiranja, upotrebljavajte samo identične zamjenske dijelove. Upotreba drugih dijelova može uzrokovati opasnost ili oštećenje proizvoda. Radi osiguranja sigurnosti i pouzdanosti, sve popravke treba obavljati kvalifikovani servisni tehničar.

⚠ UPOZORENJE! Radi izbjegavanja teških tjelesnih povreda, uvijek izvadite komplet baterija iz proizvoda prije obavljanja radova čišćenja ili održavanja.

ČIŠĆENJE

- Za uklanjanje naslaga iz svih ulaznih otvora za zrak i reznog noža upotrebljavajte mekanu četku.
- Za uklanjanje smole i drugih ljepljivih ostataka po noževima raspršite rastvor za uklanjanje smole. Nakratko uključite motor radi ravnomjerne raspodjele rastvora.
- Obrišite površinu suhom krpom.

⚠ UPOZORENJE! Za čišćenje trimera nemojte nikada upotrebljavati vodu. Kada čistite plastične dijelove, izbjegavajte upotrebljavati rastvore. Mnoge plastike mogu se oštetiti različitim vrstama komercijalnih rastvora. Za uklanjanje prljavštine, prašine, ulja, masti i sl. upotrebljavajte čiste krpe.

OŠTRENJE REZNOG NOŽA

160

Akumulatorske makaze za živicu s litij-ionskom baterijom od 56 V — HT2410E/HT2000E

1. Pokrenite makaze za živicu i zaustavite ih tako da rezni nož i štitnik budu u položaju blagog odstupanja kako je prikazano na sl. I. Time će se omogućiti slobodan prostor za turpiju između reznog zuba i zuba štitnika.
2. Izvadite komplet baterija iz makaza za živicu.
3. Stegnite sklop noža u škripcu i isturipijajte izloženu reznu površinu svakog zuba noža. Uklonite što je moguće manje materijala. Pri turpianju vodite računa da zadržite originalni ugao svakog zuba.
4. Izvadite makaze za živicu iz škripca, ponovo ih pokrenite i zaustavite kako biste izložili nenaoštrene rubove zuba noža.
5. Izvadite komplet baterija i ponovite gore navedeni postupak oštrenja.

NAPOMENA! Makaze za živicu nemojte upotrebljavati s tupim ili oštećenim reznim noževima. To može uzrokovati preopterećenje alata i rezultirati nezadovoljavajućim rezultatima rezanja.

PODMAZIVANJE NOŽA (sl. J)

Za najbolji rad i duži radni vijek noža, nož makaza za živicu podmazujte laganim mašinskim uljem prije i nakon svake upotrebe.

Izvadite komplet baterija i položite makaze na ravnu površinu. Nanesite ulje na gornji rub noža.

NAPOMENA! Za produženi period upotrebe, na nož nanosite ulje tokom postupka rezanja.

⚠ UPOZORENJE! Postupak podmazivanja nemojte obavljati kada makaze za živicu rade.

TRANSPORT I SKLADIŠTENJE

- Prije skladištenja ili transporta makaza za živicu, na nož uvijek stavite štitnik. Budite oprezni kako biste izbjegli oštre zube noža.
- Makaze za živicu dobro očistite prije skladištenja.
- Makaze za živicu skladištite u zatvorenom prostoru na suhom mjestu nedostupnom djeci.
- Alat držite podalje od korozivnih sredstava kao što su vrtna hemijska sredstva i soli za odmrzavanje.

⚠ UPOZORENJE! Noževi su oštri. Kada rukujete sklopom noževa, nosite neklizajuće zaštitne rukavice za teške uslove rada. Nemojte stavljati ruku ili prste između noževa ili u bilo koji položaj gdje se mogu priklještit ili posjeci. Nemojte NIKADA dodirivati noževe ili servisirati jedinicu s postavljenim kompletom baterija.

Zaštita životne sredine

Električnu opremu, iskorištenu bateriju i punjač ne odlažite u kućni otpad! Ovaj proizvod odnesite u ovlašteni centar za reciklažu i time omogućite odvojeno sakupljanje. Električne alate potrebno je vratiti u ekološki prihvatljiv pogon za reciklažu.

KEES VAN DER SPEK
TUINMACHINES ★ STOLWIJK

BS

OTKLANJANJE PROBLEMA

PROBLEM	UZROK	RJEŠENJE
MAKAZE ZA ŽIVICU NE RADE.	<ul style="list-style-type: none"> ■ Komplet baterija nije pričvršćen na makaze za živicu. ■ Nema električnog kontakta između makaza i baterije. ■ Komplet baterija je ispražnjen. ■ Komplet baterija je previše vruć. ■ Makaze za živicu su previše vruće. ■ Prednja i stražnja ručica za prebacivanje ne pritišću se istovremeno. ■ Nož se zaglavio. 	<ul style="list-style-type: none"> ■ Pričvrstite komplet baterija na makaze za živicu. ■ Izvadite bateriju, provjerite kontakte i ponovo stavite komplet baterija. ■ Napunite komplet baterija. ■ Izvadite komplet baterija iz alata i pričekajte da se ohladi na temperaturu ispod 67 °C. ■ Otpustite obje ručice za prebacivanje. Pričekajte da se makaze za živicu ohlade dok se temperatura ne spusti na normalnu temperaturu. ■ Prvo pritisnite dugme za deblokadu, a zatim istovremeno pritisnite ručice za prebacivanje na prednjem i stražnjem rukohvatu. ■ Izvadite komplet baterija iz alata. Pažljivo uklonite zapreku, a zatim ponovo stavite bateriju i pokrenite alat.
PREVELIKE VIBRACIJE ILI BUKA.	<ul style="list-style-type: none"> ■ Suhi ili korodirani noževi. ■ Noževi su savijeni ili je držač noževa savijen. ■ Savijen ili oštećen nož. ■ Otpušteni vijci noža. 	<ul style="list-style-type: none"> ■ Podmažite noževe prema uputstvima u odjeljku „PODMAZIVANJE NOŽA“ u ovom priručniku. ■ Stavite novi nož ili držač noža. Za zamjenu noža ili držača noža obratite se servisnom centru proizvođača EGO. ■ Stavite novi nož. Za zamjenu noža obratite se servisnom centru proizvođača EGO. ■ Pritegnite vijke noža. Za pritezanje, ključem okrenite vijak u smjeru kretanja kazaljki na satu.

GARANCIJA

POLITIKA GARANCIJE PROIZVOĐAČA EGO

Za sve odredbe i uslove politike garancije proizvođača EGO posjetite internetsku stranicu egopowerplus.com.

קראו את כל ההוראות!



קראו את מדריך ההוראות

⚠ אזהרה: סיכון שיויר! אנשים בעלי מכשירים חשמליים כגון קוצבי לב, צריכים להתייעץ עם הרופא(ים) המטפל(ים) בהם לפני השימוש במכשיר זה. הפעלה של ציוד חשמלי בקרבת קוצבי לב עלולה להפריע לפעולת הקוצב או אפילו להפסיק את פעולתו.

⚠ אזהרה: על מנת להבטיח בטיחות ואמינות, יש לבצע את כל התיקונים וההחלפות בעזרת טכנאי שירות מוסמך.

סימני בטיחות

⚠ אזהרה: הפעלה של כלי עבודה חשמליים עלולה לגרום לעצמים זרים להיזרק אל תוך העיניים, דבר העלול לגרום לנזק חמור לעיניים. לפני ההפעלה של כלי עבודה חשמלי, ענדו תמיד משקפי מגן או משקפי בטיחות עם הגנה צדדית, ובעת הצורך, הגנה עבור כל הפנים. אנו ממליצים על שימוש במסכת בטיחות רחבה מעל למשקפי המגן או על שימוש במשקפי בטיחות עם הגנה צדדית.



התראת בטיחות



על מנת להפחית את הסיכון לפציעות, על המשתמש לקרוא את המדריך למשתמש.



אין להשתמש במזג אוויר גשום או להשאיר בחוץ בגשם.



רמת עוצמת קול מובטחת. פליטת רעש אל הסביבה בהתאם לתקנת הנציבות האירופית.



מוצר זה תואם לתקנת ה-CE הרלוונטיות.



אין לזרוק מוצרים חשמליים כחלק מאשפה ביתית. הביאו את המכשיר למרכז מיחזור מוסמך.



חבשו תמיד משקפי מגן או משקפי בטיחות עם הגנה צדדית, ובעת הצורך, הגנה עבור כל הפנים, בעת הפעלת מוצר זה.



לעולם אל תנסו להפעיל את הכלי החשמלי ביד אחת. עשוי להיגרם אובדן שליטה בכלי החשמלי הגורם לפציעה חמורה או קטלנית. כדי להפחית את הסיכון לפציעות של חתכים, הרחיקו את הידיים והרגליים מכלי החיתוך. לעולם אל תחברו כלי חיתוך נע באמצעות ידכם או כל איבר אחר בגופכם.



אורך הלהב



מקסימום יכולת החיתוך של הלהב

V

מתח



זרם ישיר

.../min

לדקה

mm

מילימטר

cm

סנטימטר

η_0

מהירות ללא עומס

מפרטים

דגם	HT2410E	HT2000E
וולטז'	56 V	56 V
מהירות ללא עומס	1500 /דקה	1500 /דקה
אורך הלהב	61 ס"מ	51 ס"מ
יכולת חיתוך	26 מ"מ	25 מ"מ
משקל (ללא מארז סוללה)	3.1 ק"ג	2.9 ק"ג
טמפרטורת הפעלה מומלצת	0°C-40°C	0°C-40°C
טמפרטורת אחסון מומלצת	-20°C-70°C	-20°C-70°C
רמת עוצמת קול נמדדת L_{WA}	94,47 dB(A) K=1,5 dB(A)	91,24 dB(A) K=1,03 dB(A)
רמת לחץ קול בעמדת המפעיל L_{PA}	83,9 dB(A) K=3,0 dB(A)	80,62 dB(A) K=3,0 dB(A)
רמת עוצמת קול מובטחת L_{WA} (נמדדת על פי 2000/14/EC)	96 dB(A)	92 dB(A)
רטט a_n	ידיית קדמית	2,195 מ' /שנייה ² K=1,5 /מ' /שנייה ²
	ידיית אחורית	1,836 מ' /שנייה ² K=1,5 /מ' /שנייה ²

- ערך הרטט הכללי המוצהר נמדד בהתאם עם שיטת בדיקה סטנדרטית ונענת להשתמש בו על מנת להשוות ציוד אחד עם ציוד אחר;
 - ניתן להשתמש בערך הרטט הכללי המוצהר בהערכה ראשונית של חשיפה.
- הודעה:** פליטת הרטט בעת השימוש המעשי בכלי יכולה להיות שונה מן הערך המוצהר כאשר הכלי נמצא בשימוש; על מנת להגן על המפעיל, על המשתמש ללבוש כפפות ומגני אוזניים בעת השימוש למעשה.

רשימת אריזה

תיאור

הכירו את גוזם הגדרות שלכם (תמונה A1)

1. חור תלייה
2. מגן קצה
3. להב
4. מגן יד
5. ידיית קדמית
6. כפתור נעילה

7. ידיית אחורית
8. כפתור שחרור סוללה
9. בריח
10. חיבורים חשמליים
11. חריץ הרכבה לסוללה
12. הוצאת סוללה
13. דוושית מתג אחורית
14. דוושית מתג קדמית
15. חור תלייה
16. מגן להב

⚠ אזהרה: מוצר זה נשלח כאשר הוא מורכב לגמרי. לעולם אין להסיר את מגן היד בעת השימוש. כאשר ניזוק, החליפו את מגן היד מיד על ידי שימוש בטכנאי המוסמך לכך.

⚠ אזהרה: השימוש בטווח במוצר זה מצריך הבנה של המידע הנמצא על גבי המכשיר ובמדריך הוראות זה, כמו גם ידע בנוגע לפרויקט אותו אתה מנסה לבצע. לפני השימוש במוצר זה, התוודע לכל מאפייני ההפעלה וחוקי הבטיחות.

הפעלה

⚠ אזהרה: אל תניחו לעובדה שאתם מכירים את המוצר להפוך אתכם לפחות זהירים. זכרו שחוסר זהירות של שבריר אחד של שנייה מספיק לגרום לפציעה אישית חמורה.

⚠ אזהרה: ענדו תמיד משקפי בטיחות עם הגנה צדדית, ביחד עם מגני שמיעה. אם לא תעשו זאת עצמים עלולים להיזרק אל תוך העיניים שלכם ועלולות להיגרם פציעות חמורות.

⚠ אזהרה: על מנת למנוע הפעלה מקרית אשר עלולה להוביל לפציעה אישית חמורה, הסירו תמיד את מארז הסוללה מן המכשיר בעת הרכבת חלקים, ביצוע התאמות, ניקיון או כאשר המכשיר איננו נמצא בשימוש.

⚠ אזהרה: אל תעשו שימוש בחיבורים או אביזרים אשר לא הומלצו על ידי EGO™. השימוש בחיבורים או אביזרים אשר לא הומלצו עלול לגרום לפציעה חמורה. לפני כל שימוש בדקו את כל המוצר עבור חלקים ניזוקים, משוחררים או חסרים, כגון ברגים, אומים, בריחים, מכסים וכו'. הדקו בבטחה את כל האבזמים והמכסים ואל תפעילו את המוצר עד אשר חלקים חסרים או ניזוקים תוקנו או הוחלפו.

יישום

HT2410E: ניתן להשתמש במכשיר זה לגיזום גדרות, שיחים וסבכים עם קוטר ענף שאינו עולה על 26 מ"מ (HT2000E) / 25ø מ"מ.

הודעה: יש להשתמש במכשיר רק עבור המטרות להן הוא יועד. כל שימוש אחר ייחשב לשימוש בלתי הולם.

התקנה/הסרה של מארז הסוללה

יש להשתמש רק עם מארזי הסוללה והמטענים הרשומים באיור A2.

הטעינו לפני השימוש הראשון.

על מנת להתקיין (תמונה B)

יישרו את עורקי הסוללה עם חריצי ההרכבה ולחצו את מארז הסוללה כלפי מטה עד אשר יישמע „קליק“.

על מנת להסיר (תמונה C)

לחצו על כפתור שחרור הסוללה והסירו את מארז הסוללה.

⚠ אזהרה: תמיד היו מודעים אל המיקום של הרגליים שלכם, ילדים או חיות מחמד, בעת לחיצה על כפתור שחרור הסוללה. עלולה להיגרם פציעה חמורה אם מארז הסוללה ייפול. לעולם אל תסירו את מארז הסוללה במקומות גבוהים.

החזקת גוזם הגדרות (תמונות F ו-D, E)

ליחידה יישן ידית קדמית וידית אחורית. כאשר הלהב נמצא הרחק ממכם, החזיקו את היחידה על ידי שתי הידיעות. ניתן להפעיל את דוושת המתג בידית הקדמית בכל אחד משלושת הצדדים, כאשר יש לכם מספר רב של ברירות לאחיה נוחה בעת פעולות החיתוך.

⚠ אזהרה: החזיקו תמיד את שתי הידיים על ידיות גוזם הגדרות. לעולם אל תחזיקו שיחים עם יד אחת בעוד אתם מפעילים את גוזם הגדרות עם היד השנייה. אם תעשו זאת הדבר עלול לגרום לפציעה חמורה.

הפעלה/כיבוי של גוזם הגדרות

לפני ההפעלה, הסירו את המגן החזיקו את הגוזם עם שתי הידיים, יד אחת על הידית האחורית והיד השנייה על הידית הקדמית. לאחר מכן בדקו שהיציבה שלכם מאוזנת וישרה, ושמרחק החיתוך מתאים.

על מנת להפעיל

1. התקינו את מארז הסוללה.
2. שחררו והחזיקו את דוושת המתג הנמצאת בידיית הקדמית עם יד אחת.
3. לחצו והחזיקו את כפתור הנעילה בעזרת האגודל של היד השנייה שלכם ולאחר מכן לחצו על דוושת המתג האחורית בעזרת האצבעות שלכם על מנת להפעיל את גוזם הגדרות. שחררו את כפתור הנעילה והמשיכו ללחוץ על המתג לפעולה ממושכת.

על מנת לכבות

הזיזו את גוזם הגדרות הרחק מאזור החיתוך ושחררו את דוושת המתג האחורית על מנת לכבות את גוזם הגדרות.

⚠ אזהרה: הסירו תמיד את מארז הסוללה מגוזם הדשא בעת הפסקות ולאחר סיום העבודה.

השימוש בגוזם הגדרות

⚠ אזהרה: אם הלהב נתקע בחוט או כבל חשמלי, אל תיגעו בלהב! הלהב עלול להפוך ל"חי" וישנה סכנה. המשיכו להחזיק את הגוזם בעזרת הידית האחורית המבודדת או הניחו אותו למטה ובמרחק ממכם בצורה בטוחה. נתקו את המתח מן החוט או הכבל הניזוקים לפני כל ניסיון לשחרר את הלהב מן החוט או הכבל. אם לא תעשו זאת, התוצאה עלולה פציעה אישית חמורה או אפילו מקרה מוות.

⚠ אזהרה: הימנעו מלגזום כמות גדולה מדי בפעם אחת או שיחים בעלי עלים רבים. הדבר עלול לגרום ללהבים להיקשר ולעבוד לאט יותר, כאשר הוא מפחית את יעילות החיתוך.

הודעה: יש להשתמש בגוזם על מנת לחתוך גבעולים אשר דקים מקוטר של 26 מ"מ.

הודעה: עבור צמחים חדשים, אנו ממליצים לטאטא על מנת שהגבעולים יבואו הישר אל הלהב החיתוך. עבור צמחים ישנים יותר, תנועת ניסור מתאימה לגזום גבעולים עבים יותר. אנו ממליצים על מסור שאינו חשמלי או קוצץ על מנת לגזום את הגבעולים העבים.

חיתוך עליון

השתמשו בתנועת טאטוא רחבה. הטיה קלה כלפי מטה של להבי החיתוך בכיוון התנועה תיתן את התוצאות הטובות ביותר. לאפקט חיתוך טוב יותר, אתם יכולים להשתמש בקפיץ על מנת להנחות את רמת הגדר כמתואר בתמונה G.

חיתוך צדדי

בעת חיתוך צדדי הגדרות, החלו מן החלק התחתון וחתכו כלפי מעלה כפי שניתן לראות בתמונה H. חתכו את צדדי הגדר כך שהיא תהיה טיפה צרה יותר בחלק העליון. צורה זו תחשוף חלק גדול יותר מן הגדר אל אור השמש, כאשר התוצאה תהיה גדילה אחידה יותר.

תחזוקה

⚠ אזהרה: במקרה של עבודות תיקון, השתמשו רק בחלקי חילוף זהים. שימוש בחלקי חילוף אחרים עלול לגרום לסכנה או נזק למוצר. על מנת להבטיח בטיחות ואמינות, יש לבצע את כל התיקונים וההחלפות בעזרת טכנאי שירות מוסמך.

⚠ אזהרה: על מנת למנוע פציעות אישיות, הסירו תמיד את מארז הסוללה מן המוצר לפני הניקיון או ביצוע כל עבודת תחזוקה.

ניקיון

- השתמשו במברשת רכה על מנת להסיר פסולת מכל פתחי האוויר ומלהב החיתוך.

HE

■ על מנת להרים ולהסיר פסולת נדבקת אחרת, רסו את הלהב עם ממש שרף. הפעילו את המנוע לזמן קצר על מנת להפיץ את הממס בצורה אחידה.

■ נקו את המשטח עם מטלית יבשה.

⚠ אזהרה: לעולם אל תעשו שימוש במים על מנת לנקות את הגוזם שלכם. הימנעו משימוש בממסים כאשר אתם מנקים חלקי פלסטיק. רוב חלקי הפלסטיק עלולים להינזק מסוגים שונים של ממסים מסחריים. השתמשו במטליות נקיות על מנת להסיר לכלוך, אבק, שמן, חומר סיכה וכו'.

להב החיתוך עקום.

1. הפעילו וכבו את גוזם הגדרות שלכם עד אשר להב החיתוך והמגן מעט מוסתים, כפי שניתן לראות בתמונה א'. הדבר יאפשר לכם מקום לפצירה בין שיני החותך ושיני המגן.

2. הסירו את מארז הסוללה מגוזם הגדרות.

3. החזיקו את חיבור החיתוך במלחציים ועשו שימוש בפצירה על מנת לשייף את משטח הלהב החשוף של כל שן בלהב. הסירו מעט חומר ככל שניתן. היו בטוחים שאתם שומרים על הזווית המקורית של כל שן בעת השימוש בפצירה.

4. הסירו את גוזם הגדרות מן המלחציים; הפעילו וכבו אותו על מנת לחשוף את הקצוות הקהים של שיני הלהב.

5. הסירו את מארז הסוללה וחזרו על התהליך החידוד המתואר למעלה.

הודעה: אל תפעילו את גוזם הגדרות שלכם עם להבים קהים או ניזוקים. הדבר יכול לגרום לעומס יתר ולתוצאות חיתוך בלתי מספקות.

שימון הלהב (תמונה J)

עבור הביצועים הטובים ביותר ואורך חיים ארוך יותר של הלהב, שמנו את הלהב עם שמן למכונות קלות לפני ואחרי כל שימוש.

הסירו את מארז הסוללה והניחו את הגוזם על משטח שטוח. שמנו את הקצוות של הלהב העליון.

הודעה: עבור הפעלות ארוכות, שמנו את הלהב בעת פעולת החיתוך.

⚠ אזהרה: אל תבצעו את פעולת השימון כאשר גוזם הגדרות פועל.

הובלה ואחסון

■ הניחו תמיד את המגן על הלהב לפני האחסון או ההובלה של גוזם הגדרות. היו זהירים והימנעו ממגע עם השיניים החדות של הלהב.

■ נקו את גוזם הגדרות ביסודיות לפני אחסונו.

■ אחסנו את הכלי בתוך הבית, במקום יבש אשר רחוק מהישג ידם של ילדים.

■ הרחיקו מחומרים גורמים לקורוזיה כגון כימיקלים לגינה ומלחים מסירי קרח.

⚠ אזהרה: הלהבים חדים. בעת הטיפול בחיבור הלהב, לבשו כפפות מגן מוצקות, נגד החלקה. אל תניחו את הידיים או האצבעות בין הלהבים או בכל מקום בו ישנה סכנה שהן תיחתכנה או תיתפסנה. לעולם אל תיגעו בלהב או תבצעו עבודות שירות למכשיר לפני הסרת מארז הסוללה.

לשמור על הסביבה

אין לזרוק ציוד חשמלי, מטעני סוללות וסוללות ביחד עם אשפה ביתית! יש לקחת מוצר זה למרכז מיחזור מוסמך ולוודא שהוא זמין לאיסוף בנפרד. יש להחזיר כלים חשמליים אל מתקן מיחזור המתאים לסביבה.



איתור וטיפול בבעיות

פטרון	סיבה	בעיה
<ul style="list-style-type: none"> הצמידו את מארז הסוללה אל גוזם הגדרות. הסירו את הסוללה, בדקו את החיבורים והתקינו מחדש את מארז הסוללה. הטעינו את מארז הסוללה. הסירו את מארז הסוללה מן המכשיר ואפשרו למארז הסוללה או למכסחה להתקרר עד לטמפרטורה של פחות מ-67°C. שחררו את שתי הדוושות; אפשרו לגוזם להתקרר עד לטמפרטורה נורמלית. לחצו על כפתור הנעילה תחילה ולאחר מכן לחצו על דוושות המתג בידיות הקדמית והאחורית בו זמנית. הסירו את מארז הסוללה מן המכשיר, הסירו את המחסום בזהירות ולאחר מכן החדירו מחדש את הסוללה והפעילו מחדש את המכשיר. 	<ul style="list-style-type: none"> מארז הסוללה איננו צמוד לגוזם הגדרות. לא מתבצע חיבור חשמלי בין הגוזם לסוללה קיבולת מארז הסוללה ריקה. מארז הסוללה חם מדי. גוזם הגדרות חם מדי. דוושות הנעילה הקדמית והאחורית אינן משוחררות בו זמנית. הלהב תקוע. 	גוזם הגדרות איננו עובד
<ul style="list-style-type: none"> שמנו את הלהבים, כאשר אתם עוקבים אחר חלק „שימון הלהב” במדריך זה. החליפו על להב או תומך חדשים. צרו קשר עם מרכז שירות EGO עבור שירות החלפת להב או תומך. החליפו בלהב חדש. צרו קשר עם מרכז השירות של EGO עבור שירות החלפת להב. הדקו את בריחי הלהב. בעזרת מפתח ברגים, סובבו את הבורג בכיוון השעון להידוק. 	<ul style="list-style-type: none"> להבים יבשים או עם קורוזיה. הלהבים או תומכי הלהבים עקומים. שיניים עקומות או ניזוקות. בריחי להב משוחררים. 	ישנו יתר רטט או רעש

אחריות

מדיניות האחריות של EGO

אנא בקרו באתר egopowerplus.com עבור התנאים וההתניות השלמים של מדיניות האחריות של EGO.

اقرأ جميع التعليمات!



اقرأ دليل التشغيل

تحذير: المخاطر المتبقية! الأشخاص الذين تم تركيب أجهزة طبية إلكترونية لهم، مثل منظم ضربات القلب، يجب عليهم استشارة الطبيب قبل استخدام هذا المنتج. لأن تشغيل معدات كهربائية بالقرب من منظم ضربات القلب قد ينشأ عنه خلل أو فشل في أداء منظم ضربات القلب.

تحذير: لضمان السلامة والاعتمادية، يجب تنفيذ جميع أعمال الإصلاح واستبدال الأجزاء من قبل فني خدمة مؤهل.

رموز السلامة

تحذير: قد يؤدي تشغيل أي آلة عاملة بالطاقة إلى دخول أي أشياء غريبة في عينيك، وهو ما قد يؤدي إلى إلحاق أضرار خطيرة بالعين. قبل بدء تشغيل الآلة العاملة بالطاقة، احرص دائمًا على ارتداء واقبات العينين أو نظارات حماية العينين ذات دروع جانبية، ودرع واق لكامل الوجه عند اللزوم. نوصي بارتداء قناع السلامة واسع الرؤية لاستخدامه فوق نظارات العين أو نظارات السلامة العادية ذات الدروع الجانبية.



تنبيه سلامة



للحد من خطر التعرض لإصابة، ينبغي على المستخدم قراءة دليل التشغيل.



لا تستخدم المنتج تحت المطر أو أن تتركه في مكان مفتوح أثناء هطول المطر.



مستوى قوة الصوت المضمن. انبعاثات الضوضاء في البيئة وفقًا لتوجيه الاتحاد الأوروبي.



هذا المنتج متوافق مع توجيهات شهادة الجودة الأوروبية (CE) المعمول بها.



لا يجب التخلص من الأجهزة الكهربائية المستعملة في النفايات المنزلية. توجه بالجهاز إلى مركز إعادة تدوير معتمد.



ارتد دائمًا نظارات الحماية المزودة بواقبات على الجانبين، وينبغي ارتداء واق لكامل الوجه أثناء تشغيل هذا المنتج.



لا تقم أبدًا بتشغيل الآلة العاملة بالطاقة باستخدام يد واحدة. لأن فقد التحكم في الآلة قد يؤدي لوقوع إصابات خطيرة أو مميتة. للحد من خطر التعرض لجرح، أبق يدك وقدميك بعيدًا عن آلة القطع. لا تقم أبدًا بلمس أي آلة قطع وهي تتحرك بيدك أو أي جزء آخر من جسمك.



طول الشفرة



الحد الأقصى لسعة القطع للشفرة

V

الجهد الكهربائي



تيار مستمر

.../min

في الدقيقة

mm

مليمتر

cm

سنتيمتر

n_0

السرعة بدون حمل

المواصفات

الطرز	HT2410E	HT2000E	
الجهد الكهربى	56 فولت	56 فولت	
السرعة بدون حمل	1500/دقيقة	1500/دقيقة	
طول الشفرة	61 سم	51 سم	
سعة القطع	26 مم	25 مم	
الوزن (بدون وحدة البطارية)	3.1 كجم	2.9 كجم	
درجة حرارة التشغيل الموصى بها	0 - 40 درجة مئوية	0 - 40 درجة مئوية	
درجة حرارة التخزين الموصى بها	-20 - 70 درجة مئوية	-20 - 70 درجة مئوية	
مستوى قوة الصوت المُقدَّر L_{WA}	94,47 ديسيبل (A)	91,24 ديسيبل (A)	
مستوى ضغط الصوت وفقاً لوضع مُشغل الآلة L_{PA}	83,9 ديسيبل (A)	80,62 ديسيبل (A)	
مستوى قوة الصوت المضمون L_{WA} (وفقاً للمعيار 2000/14/EC)	96 ديسيبل (A)	92 ديسيبل (A)	
الاختزاز a_n	المقبض الأمامى	1.8 م/ثانية ² K=1.5	2.195 م/ثانية ² K=1.5
	المقبض الخلفى	1.7 م/ثانية ² K=1.5	1.836 م/ثانية ² K=1.5

- القيمة الكلية للاهتزاز الموضحة تم قياسها وفقاً لطريقة اختبار قياسية وقد تستخدم لمقارنة أداة بأخرى؛
- كما يمكن استخدام القيمة الكلية للاهتزاز الموضحة في التقييم التمهيدى للتعرض.

ملاحظة: قد تختلف انبعاثات الاهتزاز أثناء الاستخدام الفعلي للألة العاملة بالطاقة عن القيمة المعلنة التي يتم استخدامها الآلة فيها؛ ولحماية مشغل الآلة، ينبغي على المستخدم ارتداء قفازات وواقبات للأذن في ظروف الاستخدام الفعلية.

قائمة المحتويات (الشكل A1)

الوصف

تعرف على جزاءة السياج (الشكل A1)

- فتحة التعليق
- واقى قمة الجزاءة
- الشفرة
- واقى اليد
- المقبض الأمامى

6. زر القفل

7. المقبض الخلفى

8. زر تحرير البطارية

9. لسان

10. الوصلات الكهربائية

11. فتحة تركيب البطارية

12. إخراج البطارية

13. ذراع التشغيل الخلفى

14. ذراع التشغيل الأمامى

15. فتحة التعليق

16. واقى الشفرة

تحذير: يتم توريد هذا المنتج مكتمل التجميع. يجب ألا يتم أبداً خلع واقى اليد أثناء الاستخدام. بمجرد تعرضه للتلف، يجب أن يتم استبداله على الفور بواسطة فني صيانة متخصص.

تحذير: كي تتمكن من استخدام هذا المنتج بشكل آمن، لا بد أن تفهم المعلومات الموجودة على الآلة وفي دليل التشغيل هذا، وكذا معرفة المهمة التي تنوي القيام بها. قبل استخدام هذا المنتج، اعدت على التعامل مع جميع خصائص التشغيل وقواعد السلامة.

التشغيل

تحذير: لا تسمح لاعتدائك على تشغيل هذا المنتج أن يجعلك مستهتراً عند التعامل معه. ولا تنس أن الاستهتار لجزء من الثانية كافٍ للتسبب في حدوث إصابات خطيرة.

تحذير: ارتد بشكل دائم أدوات حماية العينين بالإضافة إلى دروع جانبية وأدوات حماية السمع. قد ينجم عن عدم الامتثال لذلك دخول أشياء في عينيك، واحتمالية وقوع إصابات خطيرة.

تحذير: لمنع بدء التشغيل غير المقصود، والذي قد يؤدي إلى وقوع إصابات شخصية خطيرة، احرص دائماً على خلع مجموعة البطارية من الآلة عند تجميع الأجزاء، أو عمل التعديلات، أو التنظيف، أو عند عدم الاستخدام.

تحذير: لا تستخدم أي مرفقات أو ملحقات سوى تلك الموصى بها من قبل شركة EGO™. لأن استخدام مرفقات أو ملحقات غير موصى بها قد يؤدي إلى وقوع إصابات شخصية خطيرة.

قبل كل استخدام، افحص المنتج بأكمله بحثاً عن الأجزاء التالفة أو المفقودة أو المفككة، مثل المسامير المولوية والصواميل والمسامير والأغطية وما شابه. اربط جميع عناصر التثبيت والأغطية بإحكام، ولا تقم بتشغيل هذا المنتج إلا بعد استبدال جميع الأجزاء المفقودة أو التالفة.

الاستخدام

HT2410E: يمكنك استخدام هذا المنتج في جزّ السياج والحشائش والشجيرات التي يقل قطرها عن 26 مم (HT2410E)/25 مم (HT2000E).

ملاحظة: يجب استخدام الآلة للغرض المحدد لها فقط. أي استخدام آخر يعد حالة من حالات سوء الاستخدام.

استخدام جزارة السياج

تركيب/خلع مجموعة البطارية

لا تستخدم الآلة إلا مع مجموعات البطارية والشواحن المدرجة في الشكل A2.

اشحن البطارية قبل الاستخدام لأول مرة.

للتثبيت (الشكل B)

قم بمحاذاة دعامات البطارية مع فتحات التركيب، واضغط على مجموعة البطارية لأسفل إلى أن تسمع صوت "نقرة".

للخلع (الشكل C)

اضغط لأسفل على زر تحرير البطارية، واسحب مجموعة البطارية للخارج.

تحذير: انتبه دائماً لموضع قدميك أو الأطفال أو الحيوانات الأليفة عند الضغط على زر تحرير البطارية. فقد تقع إصابات خطيرة إذا سقطت مجموعة البطارية. لا تقم أبداً بخلع مجموعة البطارية وأنت في مكان شاقق الارتفاع.

الإمساك بجزارة السياج (الأشكال E و D و F)

الوحدة بها مقبضين، أمامي وخلفي. أمسك بالوحدة من كلا المقبضين، بينما الشفرة متجهة بعيداً عنك. يمكن ضبط ذراع التشغيل الموجود بالمقبض الأمامي على أحد الجوانب الثلاثة، وهو ما العديد من خيارات الإمساك المريحة عند تنفيذ أعمال الجز.

تحذير: احرص على إبقاء يديك دائماً على مقابض جزارة السياج. لا تقم أبداً بإمساك الحشائش بإحدى يديك أثناء تشغيل جزارة السياج باليد الأخرى. لأن عدم الانتباه لهذا التحذير قد يؤدي إلى وقوع إصابات خطيرة.

بدء تشغيل/إيقاف جزارة السياج

قبل التشغيل، اخلع الذراع وأمسك الجزارة بكلتا يديك، بحيث تكون إحدى اليدين على المقبض الخلفي والأخرى على المقبض الأمامي. وبعد ذلك، تحقق من وقوفك ثابتاً وجسمك منتصباً مع وجود مسافة ملائمة للجز.

لبداء التشغيل

1. قم بتركيب مجموعة البطارية.
2. اضغط لأسفل مع التثبيت على ذراع التشغيل الموجود في المقبض الأمامي بإحدى يديك.
3. اضغط مع التثبيت على زر القفل بإبهام يدك الأخرى، ثم اعصر ذراع التشغيل الخلفي بأصابعك لبداء تشغيل جزارة السياج. حرر زر القفل واصل عصر المفتاح الزنبركي للتشغيل المتواصل.

للإيقاف

حرك جزارة السياج بعيداً عن منطقة الجز، وحرر ذراع التشغيل الخلفي لإيقاف تشغيل الجزارة.

تحذير: احرص دائماً على خلع مجموعة البطارية من جزارة السياج أثناء الاستراحة وبعد الانتهاء من العمل.

تحذير: إذا انحشرت الشفرة في سلك أو خط كهربائي، لا تلمس الشفرة! فقد تصبح موصولة بالتيار الكهربائي وتكون خطيرة للغاية. واصل الإمساك بالآلة باستخدام المقبض الخلفي المعزول أو وضعها على الأرض بعيداً عنك بطريقة آمنة. افصل التيار عن الخط أو السلك الكهربائي قبل محاولة تحرير الشفرة من السلك أو الكابل. لأن عدم الانتباه لهذا التحذير قد يؤدي إلى وقوع إصابات شخصية خطيرة أو احتمالية الوفاة.

تحذير: تجنب الجز بشكل زائد عن الحد في كل مرة أو استخدام الآلة في منطقة كثيفة الشجيرات. لأن هذا قد يتسبب في انتفاخ الشفرات أو إبطائها، وهو ما يقلل من كفاءة القطع.

ملاحظة: يجب استخدام الجزارة في قطع السياج التي يقل سمها عن (26 مم).

ملاحظة: بالنسبة للبراعم الجديدة، فإن حركة الكسح العريضة ملائمة لسياج النباتات التي تدخل بشكل مباشر في شفرة القطع. بالنسبة للبراعم الأكبر عمراً، فإن حركة المنشار تكون جيدة في جز السياج ذات السمك الأكبر. نوصي باستخدام منشار يدوي غير عامل بالطاقة أو منشار تقليم في جز السياج الأكبر أولاً.

الجز العلوي

تحرك بحركة كسح عريضة. ولتحقيق أفضل نتائج الجز، قم بإمالة شفرات الجز لأسفل قليلاً في اتجاه الحركة. ولنتائج جز أفضل، يمكنك أيضاً استخدام الخيط في توجيه مستوى السياج على النحو الموضح في الشكل G.

الجز الجانبي

عند جز جوانب السياج، ابدأ من الجانب السفلي وجز لأعلى على النحو الموضح في الشكل H. جز جانب السياج إلى أن يصبح أضيق قليلاً عند القمة. هذا الشكل سيجعل جزءاً أكبر من السياج يتعرض لأشعة الشمس، وهو ما يؤدي إلى نمو الحشائش بشكل أكثر تناسقاً.

الصيانة

تحذير: استخدم فقط قطع غير أصلية عند إجراء أعمال الصيانة. لأن استخدام أي أجزاء أخرى قد ينشأ عنه خطر أو يتسبب في تعرض المنتج للتلف. لضمان السلامة والاعتمادية، يجب تنفيذ جميع أعمال الإصلاح من قبل فني خدمة مؤهل.

تحذير: لتجنب التعرض لإصابات خطيرة، احرص دائماً على خلع مجموعة البطارية من المنتج عند تنظيفه أو إجراء أي أعمال صيانة عليه.

التنظيف

- استخدم فرشاة ناعمة أثناء إزالة العوالق عن جميع مداخل الهواء وشفرة القطع.
- لإزالة أي قطران أو عوالق لاصقة أخرى، قم برش الشفرات بمحلول راتين. قم بتشغيل المحرك لفترة قصيرة كي يتم توزيع المحلول بالتساوي.
- امسح السطح بقطعة قماش جافة.

حماية البيئة



لا تتخلص من المعدات الكهربائية أو البطارية المستهلكة أو الشاحن في النفايات المنزلية! بل توجه بهذا المنتج إلى مركز إعادة تدوير معتمد ليكون متاحاً للفرز بشكل منفرد. يجب إعادة الآلات الكهربائية إلى مرفق إعادة تدوير صديق للبيئة.

⚠ تحذير: لا تستخدم أبداً الماء عند تنظيف الآلة. تجنب استخدام المنظفات عند تنظيف الأجزاء البلاستيكية. غالبية الأجزاء البلاستيكية تكون عرضة للتلف بفعل أنواع متعددة من المنظفات السائلة المتاحة في الأسواق. استخدم قطعة قماش نظيفة لإزالة الأوساخ والأتربة والزيت والشحم وما شابههم.

شحن شفرة القطع

1. قم بتشغيل جزارة السياج وإيقافها إلى تتوازن شفرة الجزارة والواقي قليلاً، على النحو الموضح في الشكل 1. فهذا سيمنع الملف الموجود بين أسنان الجزارة وأسنان الواقي الخلوص المناسب.
2. اخلع مجموعة البطارية من جزارة السياج.
3. ثبت تجميعة الشفرة على منجلة، واشدح سطح القطع لكل سن من أسنان الشفرة. احرص على شدح أقل قدر ممكن من الأسنان. حافظ على الزاوية الأصلية لكل سن من الأسنان عند البرد بالمبرد.
4. أزل جزارة السياج من المنجلة؛ وأعد تشغيلها وإيقافها لإظهار الحواف غير المشحودة لأسنان الشفرة.
5. اخلع مجموعة البطارية وكرر إجراء الشدح المذكور أعلاه.

ملاحظة: لا تقم بتشغيل جزارة السياج وشفرة القطع تالفة أو غير حادة. لأن هذا قد يتسبب في حمل زائد، ويمنحك نتائج قطع غير مرضية.

تزييت الشفرة (الشكل J)

لتحقيق أفضل أداء وأطول عمر للشفرة، قم بتزييتها بزيت آلات خفيف القوام قبل كل استخدام وبعده.
اخلع مجموعة البطارية وضع الآلة على سطح مستو. ضع الزيت على طول حافة الشفرة العلوية.
ملاحظة: لفترة تشغيل أطول، قم بتزييت الشفرة أثناء التشغيل.

⚠ تحذير: لا تقم بالتزييت أثناء تشغيل الجزارة.

النقل والتخزين

- احرص دائماً على وضع الواقي فوق الشفرة قبل تخزين الآلة أو نقلها. تعامل بحذر لتجنب الأسنان الحادة للشفرة.
- نظف الآلة جيداً قبل تخزينها.
- يكون تخزين الآلة في مكان جاف لا يمكن الوصول إليه من قبل الأطفال.
- احتفظ بالمنتج بعيداً عن المواد المسببة للتآكل مثل كيماويات الحديقة وملح إذابة الجليد.

⚠ تحذير: الشفرات حادة. عند التعامل مع تجميعة الشفرة، عليك ارتداء قفازات حماية ممتينة للأنف واليدين. لا تضع يديك أو أصابعك بين الشفرات أو في أي موضع قد تتعرض فيه للانضغاط أو الجرح. لا تلمس أبداً الشفرات أو أن تقوم بصيانة الوحدة والبطارية مركبة في مكانها.

استكشاف الأخطاء وإصلاحها

المشكلة	السبب	الحل
جزارة السياج لا تعمل.	<ul style="list-style-type: none"> مجموعة البطارية غير مركبة في جزارة السياج. لا يوجد اتصال كهربائي بين الجزارة والبطارية. نقد شحن مجموعة البطارية. مجموعة البطارية ساخنة للغاية. جزارة السياج ساخنة للغاية. لم يتم الضغط مع التثبيت على ذراعي التشغيل، الأمامي والخلفي، بشكل متزامن. هناك انسدادات في الشفرة. 	<ul style="list-style-type: none"> قم بتركيب مجموعة البطارية في جزارة السياج. اخلع البطارية، وافحص التوصيلات، ثم أعد تركيب مجموعة البطارية. اشحن مجموعة البطارية. اخلع مجموعة البطارية واتركها تبرد إلى أن تهبط درجة حرارتها إلى ما دون 67 درجة مئوية. حرر كلا ذراعي التشغيل؛ واترك الجزارة تبرد إلى أن تهبط درجة حرارتها إلى درجة الحرارة العادية. اضغط على زر القفل أولاً، ثم اضغط على ذراعي التشغيل بالمقبض الأمامي والمقبض الخلفي بشكل متزامن. اخلع مجموعة البطارية من الآلة، وتخلص من الانسداد برفق، ثم أعد إدخال البطارية مع إعادة تشغيل الآلة.
هناك اهتزازات أو ضوضاء زائدة.	<ul style="list-style-type: none"> الشفرات جافة أو بها صدأ. دعامة الشفرات مثنية. أسنان الشفرة مثنية أو تالفة. مسامير الشفرة مفكوكة. 	<ul style="list-style-type: none"> قم بتزييت الشفرات، وذلك باتباع قسم "تزييت الشفرة" من هذا الدليل. استبدل الشفرة بشفرة أو دعامة جديدة. تواصل مع مركز صيانة شركة EGO لطلب استبدال الشفرة أو الدعامة. استبدالها بشفرة جديدة. تواصل مع مركز صيانة شركة EGO لطلب استبدال الشفرة. اربط مسامير الشفرة جيداً. باستخدام مفتاح الربط، أدر المسامير في اتجاه عقارب الساعة لربطه.

الضمان

سياسة ضمان EGO

تفضل بزيارة الموقع الإلكتروني egopowerplus.com للتعرف على الشروط والأحكام الكاملة الخاصة بسياسة ضمان EGO.