



# Husqvarna®

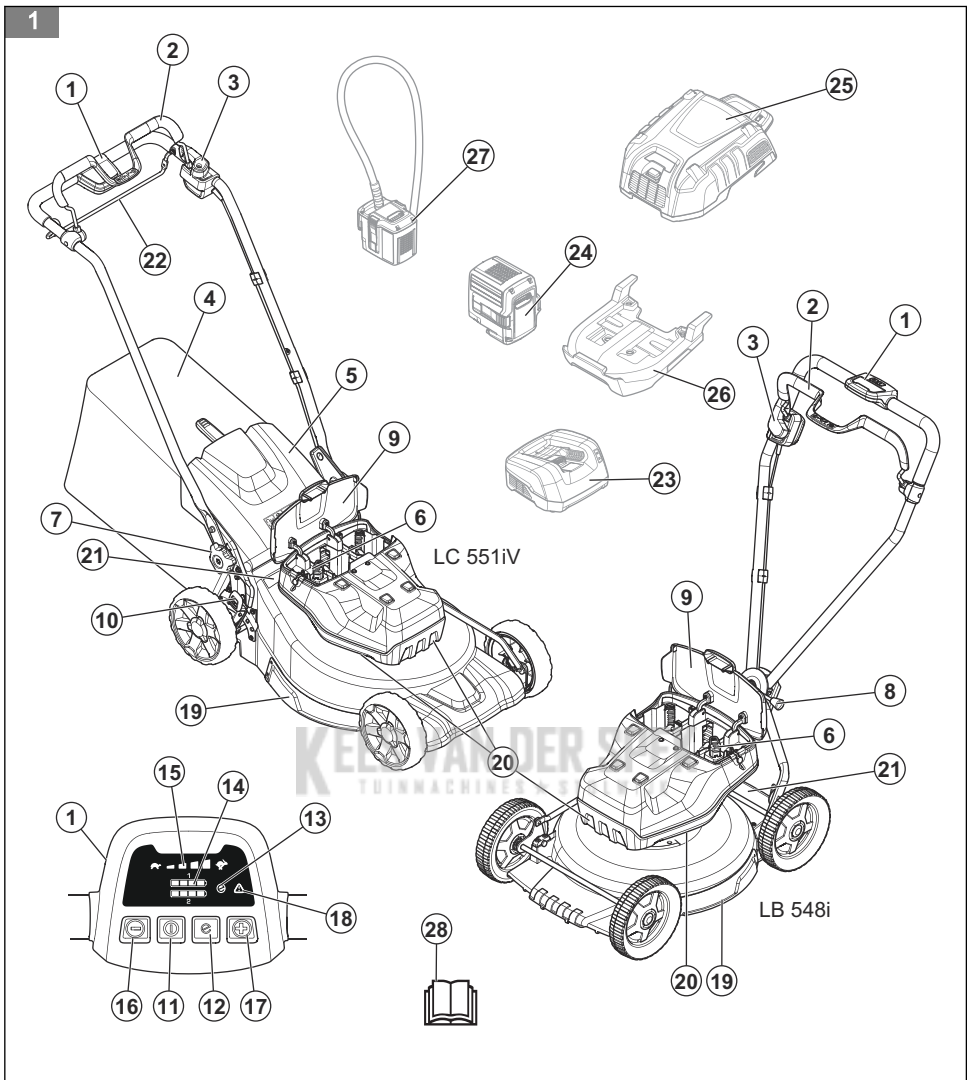


## LB 548i, LC 551iV



EN	Operator's manual	10-28
BG	Ръководство за експлоатация	29-51
CS	Návod k použití	52-71
DA	Bruksanvisning	72-90
DE	Bedienungsanweisung	91-112
EL	Οδηγίες χρήσης	113-135
ES	Manual de usuario	136-156
ET	Kasutusjuhend	157-175
FI	Käyttöohje	176-194
FR	Manuel d'utilisation	195-216
HR	Priručnik za korištenje	217-235
HU	Használati utasítás	236-256
IT	Manuale dell'operatore	257-277
JA	取扱説明書	278-296
LT	Operatoriaus vadovas	297-316
LV	Lietošanas pamācība	317-337
NL	Gebbruksaanwijzing	338-358
NO	Bruksanvisning	359-377
PL	Instrukcja obsługi	378-399
PT	Manual do utilizador	400-420
RO	Instrucțiuni de utilizare	421-441
RU	Руководство по эксплуатации	442-465
SK	Návod na obsluhu	466-485
SL	Navodila za uporabo	486-504
SR	Priručnik za rukovaoca	505-524
SV	Bruksanvisning	525-543
TR	Kullanım kılavuzu	544-562
UK	Посібник користувача	563-585
ZH	操作手册	586-600

KEES VAN DER SPEK  
TUINMACHIEN STOLWIJK



2		3		4		5		6		7	
8		9		10		11		12		13	
14		15		16		17		18			

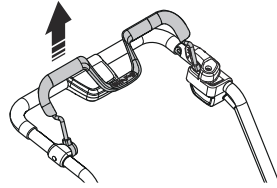
19



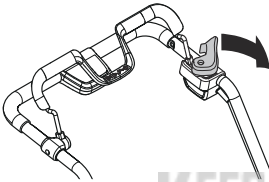
20



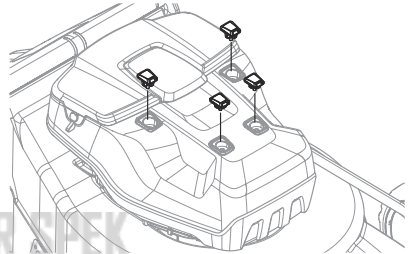
21



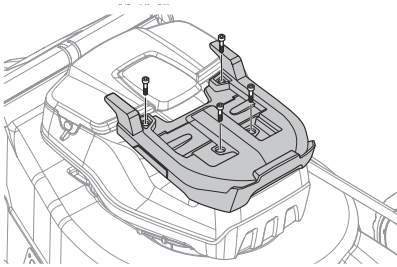
22



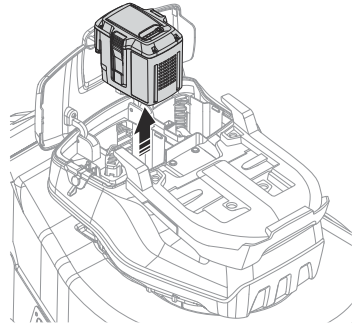
23



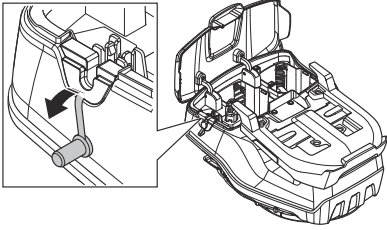
24



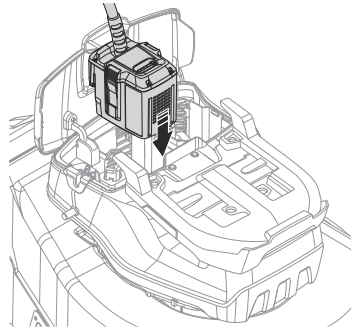
25



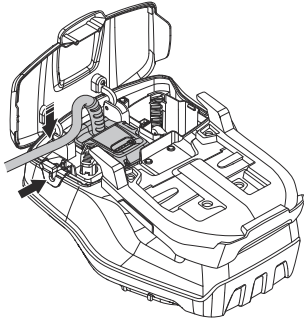
26



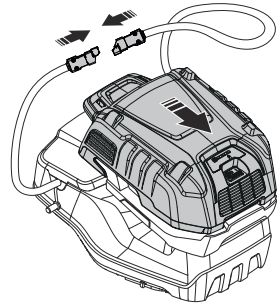
27



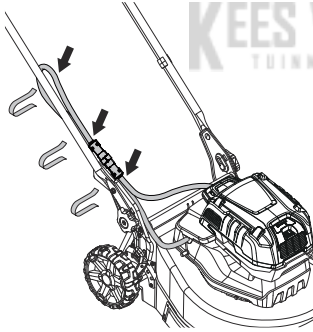
28



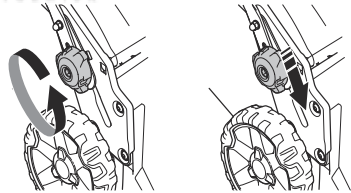
29



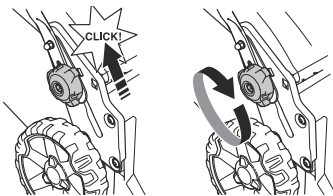
30



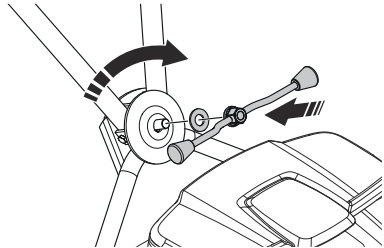
31



32

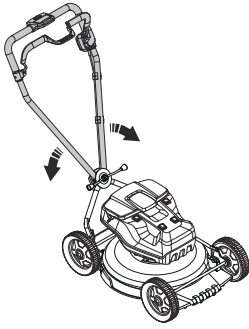


33

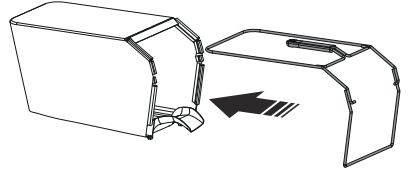




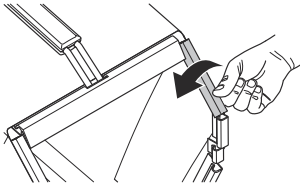
34



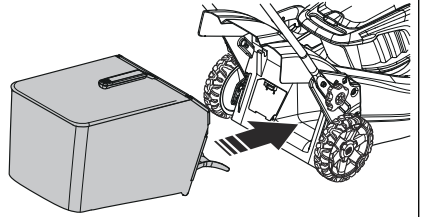
35



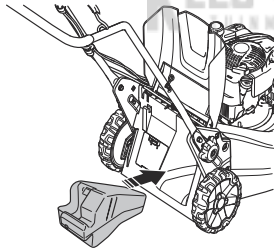
36



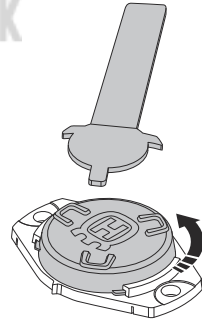
37



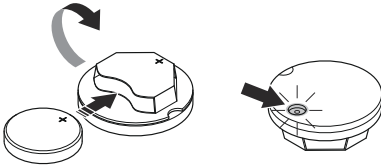
38



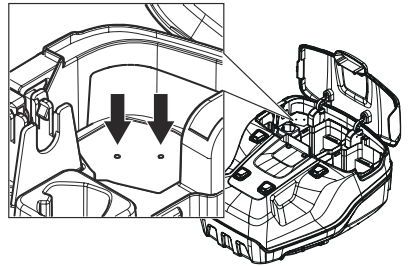
39

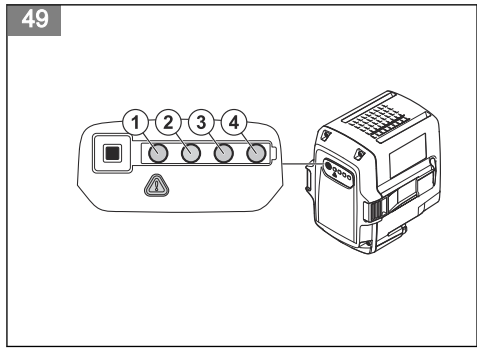
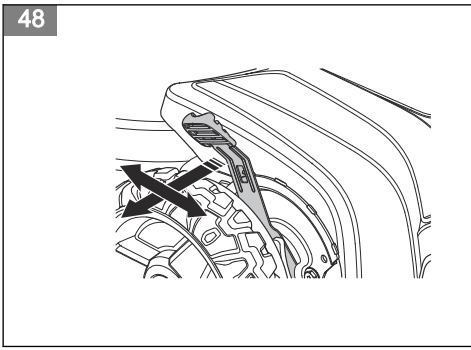
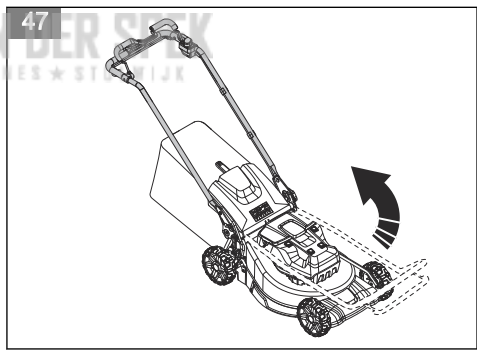
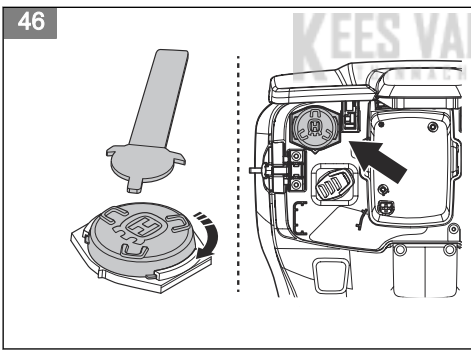
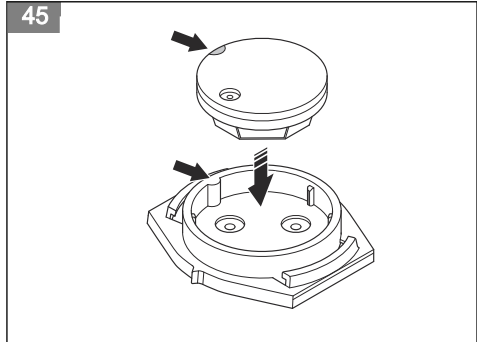
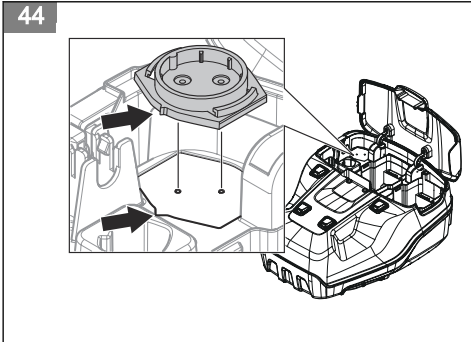
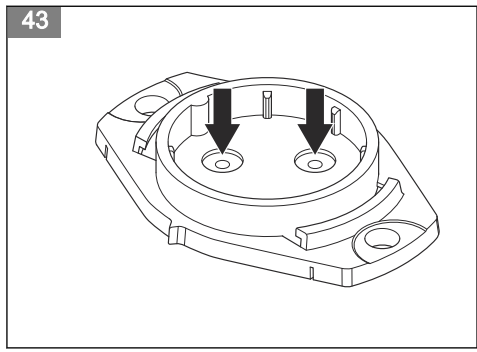
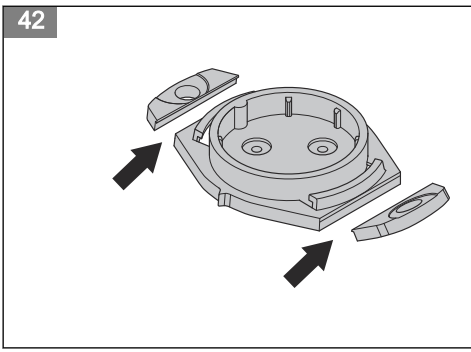


40

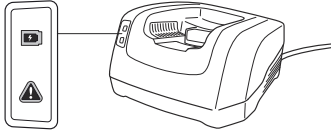


41

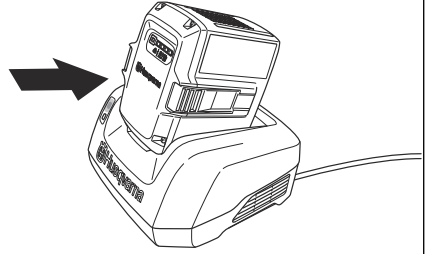




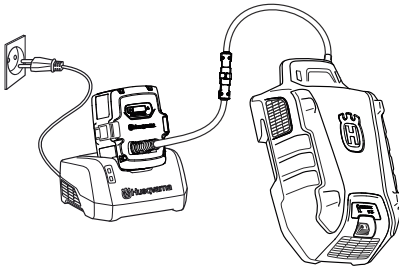
50



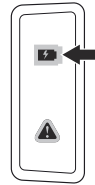
51



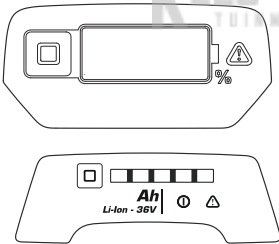
52



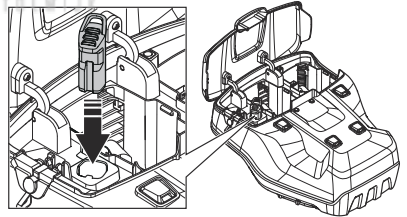
53



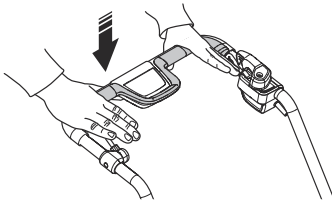
54



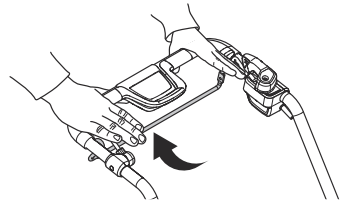
55



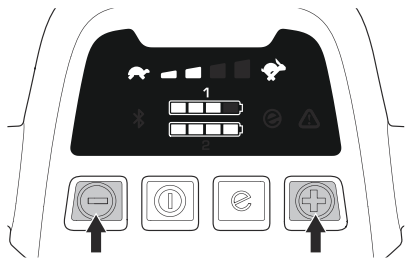
56



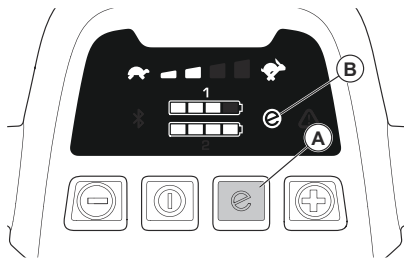
57



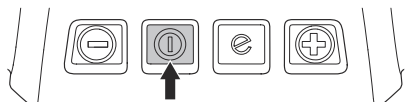
58



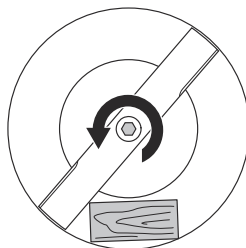
59



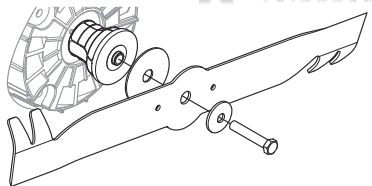
60



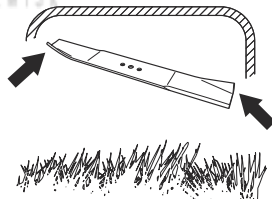
61



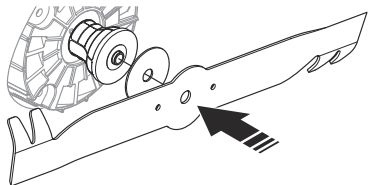
62



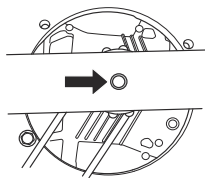
63



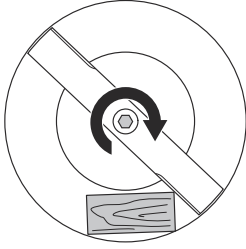
64



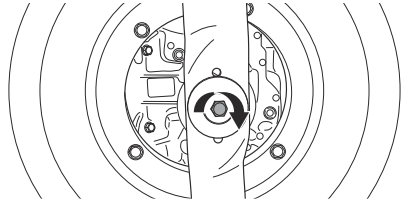
65



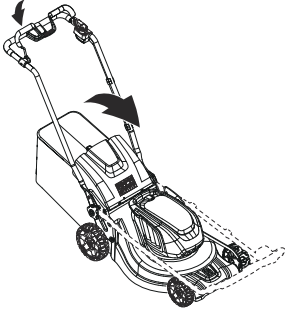
66



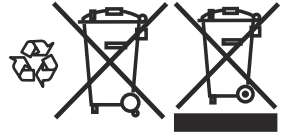
67



68



69



**KEES VAN DER SPEK**  
TUINMACHINES ★ STOLWIJK

---

# Contents

---

Introduction.....	10	Troubleshooting.....	24
Safety.....	12	Transportation, storage and disposal.....	25
Assembly.....	19	Technical data.....	26
Operation.....	20	EC Declaration of Conformity.....	28
Maintenance.....	22		

---

## Introduction

---

### Product description

The product is a pedestrian-controlled rotary lawn mower. The model LB 548i uses BioClip to cut the grass into fertilizer.

The model LC 551iV collects the grass in a grass catcher. Remove the grass catcher to get rear discharge

of the grass. Attach a mulch kit (accessory) to cut the grass into fertilizer.

### Intended use

Use the product to cut grass in private gardens. Do not use the product for other tasks.

### Product overview

(Fig. 1)

1. Control panel
2. Motor brake handle
3. Start inhibitor
4. Grass catcher (LC 551iV)
5. Rear cover(LC 551iV)
6. Safety key
7. Handle knob (LC 551iV)
8. Handle adjustment lever (LB 548i)
9. Battery cover
10. Cutting height control (LC 551iV)
11. ON/OFF button
12. SavE button
13. SavE indicator
14. Battery indicator
15. Speed level indicator
16. Decrease speed button
17. Increase speed button
18. Error LED
19. Cutting cover
20. Air intakes
21. Rating plate
22. Drive bail (LC 551iV)
23. Battery charger (Accessory)
24. Battery (Accessory)
25. Multi battery (Accessory)
26. Adapter plate (Accessory)
27. Multi battery adapter (Accessory)
28. Operator's manual

### Symbols on the product

(Fig. 2) **WARNING:** This product can be dangerous and cause serious injury or death to the operator or others. Be careful and use the product correctly.

(Fig. 3) Read the operator's manual carefully and make sure that you understand the instructions before you use this product.

(Fig. 4) Keep persons and animals at a safe distance from the work area.

(Fig. 5) Look out for thrown objects and ricochets.

emission of the product is specified in *Technical data on page 26* and on the decal.

(Fig. 6) **Warning: Keep hands and feet away from the rotating blade.**

(Fig. 7) **Warning: Keep hands and feet away from rotating parts.**

(Fig. 8) **Remove the safety key before you do repair work or maintenance.**

(Fig. 9) **Environmental mark.** The product or package of the product is not domestic waste. Recycle it at an approved disposal location for electrical and electronic equipment.

(Fig. 10) **The product agrees with applicable EC directives.**

(Fig. 11) **The product agrees with applicable Eurasian Customs Union directives.**

(Fig. 12) **The product agrees with applicable UkrSEPRO directives.**

(Fig. 13) **The product agrees with applicable RCM directives. Applies to AU/NZ only**

(Fig. 14) **Noise emission to the environment complies with applicable EC Directives. The noise**

**IPX4** Protected against splashing water.  
**IPX4**

(Fig. 19) **Start procedure: push ON/OFF button, loosen start inhibitor, push motor brake handle down.**

(Fig. 15) **Release motor brake handle to stop.**

(Fig. 16) **Slow**

(Fig. 17) **Fast**

(Fig. 18) **Scannable code**

---

**Note:** Other symbols/decals on the product refer to certification requirements for some markets.

---

## Label on the product

(Fig. 20)

**Keep hands and feet away from the rotating blades.**

## Product liability

As referred to in the product liability laws, we are not liable for damages that our product causes if:

- the product is incorrectly repaired.
- the product is repaired with parts that are not from the manufacturer or not approved by the manufacturer.
- the product has an accessory that is not from the manufacturer or not approved by the manufacturer.
- the product is not repaired at an approved service center or by an approved authority.

---

## Safety

---

### Safety definitions

Warnings, cautions and notes are used to point out specially important parts of the manual.



**WARNING:** Used if there is a risk of injury or death for the operator or bystanders if the instructions in the manual are not obeyed.

---



**CAUTION:** Used if there is a risk of damage to the product, other materials or the adjacent area if the instructions in the manual are not obeyed.

---

**Note:** Used to give more information that is necessary in a given situation.

---

### General safety instructions



**WARNING:** Read the warning instructions that follow before you use the product.

---

- This product is dangerous if used incorrectly or if you are not careful. Injury or death can

occur if you do not obey the safety instructions.

- This product produces an electromagnetic field during operation. This field may under some circumstances interfere with active or passive medical implants. To reduce the risk of serious or fatal injury we recommend persons with medical implants to consult their physician and the medical implant manufacturer before operating this product.
- Always be careful and use your common sense. If you are not sure how to operate the product in a special situation, stop and speak to your Husqvarna dealer before you continue.
- Keep in mind that the operator will be held responsible for accidents that involve other persons or their property.
- Keep the product clean. Make sure that you can clearly read signs and decals.
- Never allow children or people unfamiliar with these instructions to use the appliance. Local regulations may restrict the age of the operator



- Always monitor a person, with decreased physical capacity or mental capacity, that uses the product. A responsible adult must be there at all times.
- Do not use the product if you are tired, ill, or under the influence of alcohol, drugs or medicine. This has a negative effect on your vision, alertness, coordination and judgment.
- Do not use the product if it is defective.
- Do not change this product or use it if it is possible that it has been changed by others.

## Work area safety



**WARNING:** Read the warning instructions that follow before you use the product.

- Remove objects such as branches, twigs and stones from the work area before you use the product.
- Objects that hit against the cutting equipment can eject and cause damage to persons and objects. Keep bystanders and animals at a safe distance from the product.
- Never use the product in bad weather such as fog, rain,

strong winds, intense cold and risk of lightning. To use the product in bad weather or in moist or wet locations is tiring. Bad weather can cause dangerous conditions, such as slippery surfaces.

- Look out for persons, objects and situations that can prevent safe operation of the product.
- Look out for obstacles, such as roots, stones, twigs, pits and ditches. Long grass can hide obstacles.
- To cut grass on slopes can be dangerous. Do not mow excessively steep slopes. Do not use the product on ground that slopes more than 15°
- Exercise extreme caution when changing direction on slopes. Operate the product across the face of slopes. Do not move up and down.
- Be careful when you go near hidden corners and objects that prevent a clear view.

## Work safety



**WARNING:** Read the warning instructions that follow before you use the product.

- Use this product to cut grass lawns only. It is not permitted to use it for other tasks.
- Use personal protective equipment. Refer to *Personal protective equipment on page 15*.
- Make sure that you know how to stop the motor quickly in an emergency.
- Do not operate the product in rain or wet conditions. The risk of electrical shock increases if water enters the product.
- Do not operate the product unless the blade and all covers are attached correctly. An incorrectly attached blade can come loose and cause personal injury.
- Make sure that the blade does not hit objects such as stones and roots. This can do damage to the blade and bend the motor shaft. A bent axle causes heavy vibration and a very high risk that the blade becomes loose.
- If the blade hits an object or if vibrations occur, stop the product immediately. Stop the motor, pull up the safety key and remove the battery. Examine the product for damages. Repair damages or let an authorised service agent do the repair.
- Never attach the motor brake handle permanently to the handle when the motor is started.
- Put the product on a stable, flat surface and start it. Make sure that the blade does not hit the ground or other objects.
- Always stay behind the product when you operate it.
- Let all the wheels stay on the ground and keep 2 hands on the handle when you operate the product. Keep your hands and feet away from the rotating blades.
- Do not tilt the product when the motor is started.
- Be careful when you pull the product rearward.
- Never lift up the product when the motor is started. If you must lift the product, first stop the motor, pull up the safety key and remove the battery.
- Do not walk rearward when you operate the product.
- Stop the motor when you move across areas without grass, for example paths made of gravel, stone and asphalt.
- Do not run with the product when the motor is started.

Always walk when you operate the product.

- Stop the motor before you change the cutting height. Never make adjustments with the motor started.
- Never let the product stay out of view with the motor started. Stop the motor and make sure that the cutting equipment does not rotate.

#### Safety instructions for operation

#### Personal protective equipment



**WARNING:** Read the warning instructions that follow before you use the product.

- Personal protective equipment cannot fully prevent injury but it decreases the degree of injury if an accident does occur. Let your dealer help you select the right equipment.
- Use heavy-duty slip-resistant boots or shoes. Do not use open shoes or go with bare feet.
- Use heavy, long pants.
- Use protective gloves when necessary, for example when you attach, examine or clean the cutting equipment.

#### Safety devices on the product



**WARNING:** Read the warning instructions that follow before you use the product.

- Do not use a product with defective safety devices.
- Do a check of the safety devices regularly. If the safety devices are defective, speak to your Husqvarna service agent.

#### To do a check of the cutting cover

The cutting cover decreases vibrations in the product and decreases the risk of injury from the blade.

- Examine the cutting cover to make sure that there are no damages such as cracks.

#### Safety key

The safety key is below the battery lid. The safety key connects the battery that supplies the motor with power.

#### To do a check of the safety key

The safety key connects the battery that supplies the motor with power.

- Start and stop the motor. If the safety key operates correctly, the motor can only start when the key is in the safety lock.

## Battery safety

---



**WARNING:** Read the warning instructions that follow before you use the product.

---

### Motor brake handle

The motor brake handle stops the motor. When the motor brake handle is released, the motor stops.

To do a check of the motor brake, start the motor and then release the motor brake handle. If the motor does not stop in 3 seconds, let an approved Husqvarna service agent adjust the motor brake.

(Fig. 21)

### To examine the start inhibitor

Do a check of the start inhibitor to make sure that it prevents operation of the motor.

1. Push the motor brake handle in the direction of the handlebar. The start inhibitor stops the movement.
2. Push the start inhibitor out. (Fig. 22)
3. Release the start inhibitor and make sure that it goes back to its initial position.

- Use Husqvarna rechargeable batteries as a power supply for related Husqvarna products only. To prevent injury, do not use the battery as a power supply for other devices.
- Do not use non-rechargeable batteries.
- Risk of electrical shock. Do not connect the battery terminals to keys, coins, screws or other metal. This can cause a short circuit of the battery.
- Do not put objects into the air slots of the battery.
- Keep the battery away from sunlight, heat or open flame. The battery can explode and cause burns and/or chemical burns.
- Keep the battery away from rain and wet conditions.
- Keep the battery away from microwaves and high pressure.
- Do not try to disassemble or break the battery.
- If the battery leaks, do not let the liquid touch your body or

eyes. If you have touched the liquid, clean the area with a large quantity of water and get medical aid.

- Use the battery in temperatures between  $-10^{\circ}\text{C}$  and  $40^{\circ}\text{C}$ .
- Do not clean the battery or the battery charger with water. See *To clean the battery and the battery charger on page 23*.
- Do not use a defective or damaged battery.
- Keep batteries in storage away from metal objects such as nails, coins, jewellery.

### Battery charger safety



**WARNING:** Read the warning instructions that follow before you use the product.

- This product produces an electromagnetic field during operation. This field may under some circumstances interfere with active or passive medical implants. To reduce the risk of serious or fatal injury, we recommend persons with medical implants to consult their physician and the medical implant manufacturer before operating this product.
  - Regularly make sure that the power cord of the battery charger is not damaged and that there are no cracks in it.
  - Do not lift the battery charger by the power cord. To disconnect the battery charger from a mains socket, pull out the plug. Do not pull the power cord.
  - Keep the power cord and extension cables away from water, oil and sharp edges. Make sure that the cable is not pinched in doors, fences or equivalent. It can cause the charger to become energized.
  - Do not clean the battery charger with water.
  - The battery charger can be used by children aged from 8 years and above and persons with reduced physical, sensory, or mental capabilities
- Use the QC battery chargers to charge Husqvarna replacement batteries only.
  - Risk of electrical shock or short circuit. Do not put objects into the air slots of the charger. Do not try to disassemble the battery charger. Do not connect the charger terminals to metal objects. Use an approved mains socket.

or lack of experience and knowledge if they have been given supervision or instruction concerning use of the battery charger in a safe way and understand the hazards involved. Children shall not play with the battery charger. Cleaning and user maintenance shall not be made by children without supervision.

- Do not charge non-rechargeable batteries in the battery charger.
- Do not use the battery charger near flammable materials or materials that can cause corrosion. Do not cover the battery charger. Pull out the plug to the battery charger if there is smoke or fire.
- Do not use a defective or damaged battery charger.
- Only charge the battery indoors in a room with good airflow and away from sunlight. Do not charge the battery in wet conditions.

## Safety instructions for maintenance

---



**WARNING:** Read the warning instructions that follow before you use the product.

---

- Remove the safety key before you do maintenance on the product.
- Do the maintenance work correctly to increase the lifetime of the product and decrease the risk of accidents. Let an approved service agent do the professional repairs. Speak to your nearest service agent for more information.
- Only do the maintenance work written in this operator's manual.
- Put on heavy duty gloves when you use the cutting equipment. The blade is very sharp and cuts can easily occur.
- Keep the cutting edges sharp and clean for the best and safest performance.
- Let your service agent regularly examine the product and make necessary adjustments and repairs.
- Replace damaged, worn or broken parts.
- Obey the instructions for how to change accessories. Only use accessories from the manufacturer.
- When not in operation, keep the product, battery and battery charger apart in a dry, indoor and locked area. Make

sure that children and persons that are not approved cannot

get access to the product, battery or battery charger.

---

## Assembly

---

### Introduction

---



**WARNING:** Read and understand the safety chapter before you assemble the product.

---

### To install and remove the multi battery (accessory)

1. Remove the 4 rubber covers and the 4 screws from the motor cover. (Fig. 23)
  2. Put the adapter plate onto the motor cover.
  3. Attach the adapter plate with the 4 supplied screws to a torque of 5-6 Nm. (Fig. 24)
  4. Open the battery hatch.
  5. Remove the battery in slot 1. (Fig. 25)
  6. Remove the seal stop. (Fig. 26)
  7. Push the battery adapter into the battery compartment until you hear a click. (Fig. 27)
  8. Put the cord of the battery adapter through the seal stop hole. Attach the cord with the clip. (Fig. 28)
  9. Install the multi battery onto the battery adapter.
  10. Connect the multi battery to the battery adapter. (Fig. 29)
  11. Attach battery adapter cord to the handle with the 3 fabric straps. (Fig. 30)
  12. Remove the multi battery in the opposite sequence.
- 



**WARNING:** Do not attach the cord too loosely to the handle. The cord can come off the handle and cause injury.

---

### To assemble the handle (LC 551iV)

1. Loosen the lower knobs.
2. Move the knobs to the lower end of the grooves on the left and the right side of the product. (Fig. 31)
3. Set the handle height in one of the 2 available positions.
4. Move the knobs up in the direction of the handle until they stop and you hear a click. (Fig. 32)

5. Tighten the knobs fully.

### To assemble the handle (LB 548i)

1. Remove the handle nut and the washer from the plate on the upper handle.
  2. Put the upper handle in position on top of the lower handle.
- 



**CAUTION:** Make sure that the wires are not caught or become damaged.

---

3. Attach the washer and the handle adjustment lever. (Fig. 33)
4. Turn the handle to the side for a good operation position when you operate the product near a wall. (Fig. 34)

### To assemble the grass catcher (LC 551iV)

1. Attach the grass catcher frame to the grass bag with the rigid part of the bag on the bottom. Keep the handle of the frame on top of the grass bag. (Fig. 35)
2. Attach the bottom section of the grass catcher frame in the groove on the bottom of the grass catcher.
3. Attach the grass bag to the grass catcher frame with the clips. (Fig. 36)
4. Lift the rear cover.
5. Attach the grass catcher to the top edge of the chassis.
6. Put the lower part of the grass catcher into the grass discharge channel. (Fig. 37)

### To assemble the mulch plug (LC 551iV accessory)

1. Lift up the rear cover and remove the grass catcher.
2. Put the mulch plug into the discharge channel. (Fig. 38)
3. Replace the blade with the mulch blade that is supplied with the mulch kit. Refer to *To replace the blade on page 23*.

---

# Operation

---

## Introduction



**WARNING:** Before you operate the product, you must read and understand the safety chapter.

## Husqvarna Connect

Husqvarna Connect is a free app for your mobile device. The Husqvarna Connect app gives extended functions for your Husqvarna product:

- Extended product information.
- Information about, and help with, product parts and servicing.

### To start to use Husqvarna Connect

1. Download the Husqvarna Connect app on your mobile device.
2. Register in the Husqvarna Connect app.
3. Do the instruction steps in the Husqvarna Connect app to connect and register the product.

## Husqvarna Fleet Services™

Husqvarna Fleet Services™ is a cloud solution that gives the commercial fleet manager an overview of all products. Husqvarna Fleet Services™ is included for the LC 551iV. For more information about Husqvarna Fleet Services™, refer to [www.husqvarna.com](http://www.husqvarna.com).

### To prepare the sensor (accessory)

1. Use the sensor key to open the lid of the sensor. (Fig. 39)
2. Remove the sensor.
3. Connect the battery to the sensor. The LED light of the sensor comes on. (Fig. 40)
4. Download the Husqvarna Fleet Services™ app.
5. Log on to the Husqvarna Fleet Services™ app.
6. Do a pairing operation. Refer to *To do a pairing operation between the app and the product on page 20*

### To do a pairing operation between the app and the product

1. Log on to the Husqvarna Fleet Services™ app.
2. Select your product in the app.
3. Scan the code behind the sensor with your mobile device to install the sensor in the app.

**Note:** It is only necessary to do a pairing operation between the app and the product one time.

### To install the sensor

1. Make sure that the sensor is connected to the Husqvarna Fleet Services™ app. Refer to *To do a pairing operation between the app and the product on page 20*.
2. Drill 2 holes by the marks in the enclosure slot. (Fig. 41)

**Note:** Make sure that the holes are the same dimension as the rivets supplied with the sensor.

3. Use a pair of pliers to remove the outer holes on the sensor slot. (Fig. 42)
4. Drill 2 holes by the marks in the sensor slot. (Fig. 43)
5. Align the sensor slot with the enclosure slot. (Fig. 44)
6. Attach the sensor slot with the rivets.
7. Install the sensor in the sensor slot. Align the white mark on the sensor with the mark on the sensor slot. (Fig. 45)
8. Close the lid to the sensor and lock it with the sensor key. Make sure that the top of the Husqvarna "H" points away from the safety key. (Fig. 46)

### To set the product in operation position (LC 551iV)

1. Lift the handle to upright position. (Fig. 47)
2. Move the knobs up in the direction of the handle until they stop and you hear a click. (Fig. 32)
3. Tighten the knobs fully.

### To set the cutting height

The cutting height can be adjusted in 6 levels.

1. Push the cutting height control in the direction of the wheel and then rearward to increase the cutting height.
2. Push the cutting height control in the direction of the wheel and then forward to decrease the cutting height. (Fig. 48)



**CAUTION:** Do not set the cutting height too low. The blades can hit the ground if the surface of the lawn is not level.

### Battery



**WARNING:** Before you use the battery, you must read and understand the safety chapter. You must also read and understand the operator's manual for the battery and the battery charger.



## Battery status

The display shows the remaining battery capacity and if there are problems with the battery. The battery capacity is shown for 5 seconds after the product is switched off or the battery indicator button is pressed. The warning symbol on the battery is on when an error has occurred. See *Battery on page 24*.

(Fig. 49)

LED lights	Battery status
All LEDs are lit	Fully charged (75-100%)
LED 1, LED 2, LED 3 are lit	The battery is 50%-75% charged
LED 1, LED 2 are lit	The battery is 25%-50% charged
LED 1 is lit	The battery is 0%-25% charged.
LED 1 flashes	The battery is empty. Charge the battery.

## To charge the battery

Charge the battery before the first use. The battery is only 30% charged when supplied to the customer.

**Note:** The battery charger must be connected to the voltage and frequency specified on the rating plate.

The battery does not charge if the battery temperature is above 50°C. The battery charger decreases the temperature of the battery before it starts to charge.

1. Connect one end of the power cord for the battery charger into the socket of the battery charger.
2. Connect the other end of the power cord for the battery charger in an grounded mains socket. The LED on the battery charger flashes green one time. (Fig. 50)
3. Put the battery in the battery charger. The green light on the charger comes on when the battery is correctly connected to the battery charger. (Fig. 51)
4. When all LEDs on the battery have come on the battery is fully charged. Charge the battery for maximum 24 hours.
5. To disconnect the battery charger from the mains socket, pull the plug, not the power cord.
6. Remove the battery from the battery charger.

## Battery charging status

A Husqvarna Li-ion battery can be charged or used at all charging levels. The battery is not damaged. A fully charged battery will not decrease its charge when the battery is left in the charger.

LED display	Charging status
LED 1 flashes	0%-25%
LED 1 is lit, LED 2 flashes	25%-50%
LED 1, LED 2 are lit, LED 3 flashes	50%-75%
LED 1, LED 2, LED 3 are lit, LED 4 flashes	75%-100%
LED 1, LED 2, LED 3, LED 4 are lit	Fully charged

## To charge the multi battery

**Note:** Charge the battery if it is the first time that you use it. A new battery is only 30% charged.

1. Make sure that the battery is dry.
2. Connect the multi battery to the adapter. (Fig. 52)
3. Put the adapter in the battery charger.
4. Make sure that the green charging LED on the battery charger comes on. That means that the adapter and multi battery are connected correctly. (Fig. 53)
5. When all LEDs on the battery come on and the adapter shows 100%, the battery is fully charged. (Fig. 54)  
The adapter shows the state of charge in steps of 1%. Small deviations are possible at the start of the charge.
6. To disconnect the battery charger from the mains socket, pull the plug. Do not pull the cable.
7. Remove the adapter from the battery charger.
8. Remove the multi battery from the adapter.

**Note:** Refer to the multi battery and battery charger manuals for more information.

## To start the product

1. Lift the battery lid.
2. Put a charged battery in battery slot number 1 below the battery lid. For longer operation time, put a second charged battery in battery slot number 2.
3. Disconnect the safety key from the safety key holder.
4. Push the safety key into the safety lock. (Fig. 55)
5. Stay behind the product.
6. Push the ON/OFF button on the control panel. The display comes on.
7. Loosen the start inhibitor. (Fig. 22)
8. Push the motor brake handle in the direction of the handlebar. (Fig. 56)

## To use the drive on the wheels (LC 551iV)

- Pull the drive bail in the direction of the handlebar to start the drive. (Fig. 57)
- Push + and - on the control panel to set the drive speed in 4 steps. (Fig. 58)
- Release the drive bail to disengage the drive, for example when you go near an obstacle.

## To use the SavE function

The product has a battery saving function (SavE) that gives longer operation time.

1. Push the SavE button (A) to start the function. The SavE symbol (B) on the display comes on.
2. Push the SavE button again to stop the function. The SavE symbol (B) on the display goes out. (Fig. 59)

The SavE function stops automatically if the ground conditions make it necessary to have a higher output. The SavE function starts automatically again when the ground conditions let it.

## PowerBoost function

When the product cuts long or wet grass, the motor automatically increases rpm. To save battery time, the motor goes back to standard mode automatically when the PowerBoost function is not necessary.

## To stop the product

The product stops automatically if you do not operate it for 3 minutes.

1. Release the motor brake handle to stop the motor. (Fig. 21)
2. Push the ON/OFF button on the control panel. All LED lights and symbols on the display go out. (Fig. 60)
3. Remove the safety key from the safety lock and put it in the safety key holder.

## To get a good result

- Always use a sharp blade. A blunt blade gives an irregular result and the cut surface of the grass becomes yellow. A sharp blade also uses less energy than a blunt blade.
- Do not cut more than 1/2 of the length of the grass. Cut first with the cutting height set high. Examine the result and lower the cutting height to an applicable level. If the grass is very long, drive slowly and cut 2 times if necessary.
- Cut in different directions each time to prevent stripes in the lawn.

## To cut grass without a grass catcher or mulch plug attached (LC 551iV)

1. Lift up the rear cover and remove the grass catcher.
2. If a mulch plug and a mulch blade are attached, remove them.
3. Close the rear cover before you operate the product.

When you operate the product, the cut grass discharges below the rear cover.

---

# Maintenance

---

## Introduction



**WARNING:** Before you do maintenance, you must read and understand the safety chapter.

For all servicing and repair work on the product, special training is necessary. We guarantee the availability of professional repairs and servicing. If your dealer is not a service agent, speak to them for information about the nearest service agent.

## Maintenance schedule

The maintenance intervals are calculated from daily use of the product. The intervals change if the product is not used daily.

For maintenance identified with \*, refer to *Safety instructions for operation on page 15*.

	Each use	Monthly	Each season
Do a general inspection	X		
Clean the transmission covers. Make sure that the motor does not have grass on it	X		
Do a check of the start inhibitor *	X		
Make sure that the safety devices on the product are not defective *	X		

	Each use	Monthly	Each season
Check the grass catcher for wear or deterioration	X		
Examine the cutting equipment	X		
Examine the cutting cover *	X		
Do a check of the motor brake handle *	X		
Make sure that the ON/OFF button operates correctly and is not defective	X		
Examine the battery for damage	X		
Do a check of the battery charge	X		
Make sure that the release buttons on the battery operates correctly and that the battery locks into the product	X		
Clean the air intakes. Make sure that the air intakes does not have grass or dirt on them	X		
Examine the battery charger for damage and make sure that it operates correctly		X	
Examine the connections between the battery and the product. Also examine the connection between the battery and the battery charger			X

## To do a general inspection

- Make sure that the nuts and screws on the product are tightened.
- Make sure that the cables on the product are not in a position where they can get damaged.

## To replace the blade

1. Lock the blade with a block of wood. (Fig. 61)
2. Remove the blade bolt, the spring washer and the blade. (Fig. 62)
3. Examine the blade support and blade bolt for damages.
  - a) If you replace the blade or the blade support, also replace the blade bolt, the spring washer and the friction washer.
4. Examine the motor shaft to make sure that it is not bent.
5. When you attach the new blade, make sure that the bent ends point in the direction of the cutting cover. (Fig. 63)
6. Put the friction washer and the blade against the blade support. (Fig. 64)
7. Make sure that the blade aligns with the center of the motor shaft. (Fig. 65)
8. Lock the blade with a block of wood. (Fig. 66)
9. Attach the spring washer and tighten the bolt with a torque of 65-75 Nm. (Fig. 67)
10. Pull the blade around by hand and make sure that it turns freely.



**WARNING:** Use protective gloves. The blade is very sharp and cuts can easily occur.

11. Start the product to do a test of the blade. If the blade is not correctly attached, there is vibration in the product or the cutting result is unsatisfactory.

## To clean the product

- Clean plastic parts with a clean and dry cloth.
- Do not use water to clean the product. Water can enter the battery or the motor and cause short circuit or damage to the product.
- Do not use a high pressure washer to clean the product.
- Do not flush water directly on the motor.
- Use a brush to remove leaves, grass and dirt.

## To clean the battery and the battery charger



**CAUTION:** Do not clean the battery or the battery charger with water.

- Make sure that the battery and the battery charger are clean and dry before you put the battery into the battery charger.
- Clean the battery terminals with compressed air or use a soft and dry cloth.
- Clean the surfaces of the battery and the battery charger with a soft and dry cloth.

## To examine the cutting equipment



**WARNING:** To prevent accidental start, pull up the safety key, remove the battery and wait a minimum 5 seconds.



**WARNING:** Use protective gloves when you do maintenance on the cutting equipment. The blade is very sharp and cuts can easily occur.

1. Examine the cutting equipment for damage or cracks. Always replace a damaged cutting equipment.
2. Look at the blade to see if it is damaged or blunt.

**Note:** It is necessary to balance the blade after it is sharpened. Let a service center sharpen, replace and balance the blade. If you hit an obstacle that causes the product to stop, replace the damaged blade. Let the service center estimate if the blade can be sharpened or must be replaced.

## Troubleshooting

### Battery

LED on the battery	Possible faults	Possible procedure
The green LED is flashing	The battery voltage is low	Charge the battery. See <i>To charge the battery on page 21</i> .
The error LED flashes	The battery is weak	Charge the battery. See <i>Battery on page 24</i> .
	The temperature in the work environment is too high or too low	Use the battery in temperatures between -10°C and 40°C.
	Overvoltage	Check that the mains voltage is the same as on the rating plate on the product.  Remove the battery from the battery charger. Wait 5 seconds and try again to charge the battery. If the problem continues, speak to an authorised service agent.
The error LED is on	Cell difference too much (1V)	Speak to an approved service agent.

### Battery charger

LED on the battery charger	Possible faults	Possible procedure
The error LED flashes	The temperature in the work environment is too high or too low	Use the battery charger in temperatures between 5°C and 40°C.
The error LED is on		Speak to an approved service agent

### Control panel

Error code (Number of flashes)	Possible faults	Possible procedure
1	The transmission motor is too hot.	Let the product become cool. Make sure that the transmission does not have grass on it. Clean the transmission cover if it is necessary.
5	The motor speed decreases too much, and the motor stops.	Clean the cutting deck and increase the cutting height. Refer to <i>To set the cutting height on page 20</i> . If the error stays, speak to your approved service agent.
8	The battery is weak.	Charge the battery. Refer to <i>To charge the battery on page 21</i> .

Error code (Number of flashes)	Possible faults	Possible procedure
9	Battery error or no signal from battery.	Put the battery in the product correctly and examine the battery connector. If the error LED on the battery flashes, refer to <i>Battery on page 20</i> .
10	The motor control is too hot.	Stop the motor and wait until it is cool.
Other errors	If other errors occur, remove the safety key and the battery and speak to an approved service agent.	

## Transportation, storage and disposal

### Introduction



**WARNING:** To prevent unintentional start during transport pull up the safety key, remove the battery and wait at least 5 seconds.

### To set the product in transport position (LC 551iV)

- Loosen the lower knobs.
- Move the knobs to the lower end of the grooves on the left and the right side of the product. (Fig. 31)
- Fold the handle forward. (Fig. 68)
- Remove the grass catcher.

### Transportation

- The Dangerous Goods Legislation requirements apply to the contained Li-ion batteries.
- For commercial transports special requirements on package and labels must be obeyed.
- Make sure that you obey the regulations for dangerous material when you prepare the product for transport. Local regulations can apply.
- Always remove the battery for transport.
- Put tape on the battery connectors and make sure that the battery cannot move around during transport.
- Attach the product during transport.

### Storage

- Always remove the battery for storage.
- To prevent accidents, make sure that the battery is not connected to the product during storage.

- Keep the battery charger in a closed and dry space.
- Keep the battery and the battery charger in a dry space where there is no moisture or frost.
- Disconnect the battery from the battery charger during storage.
- Do not keep the battery where static electricity can occur. Do not keep the battery in a metal box.
- Keep the battery where the temperature is between 5°C and 25°C and out of sunlight.
- Keep the battery charger where the temperature is between 5°C and 45°C and out of sunlight.
- Make sure that the battery is charged to 30% - 50% before you put it in storage for long periods.
- Keep the product, battery and battery charger in a locked area out of reach for children and not approved persons.
- Clean the product and do a complete servicing before you put the product in storage for a long time.

### Disposal

Symbols on the product or the packaging of the product indicate that this product cannot be handled as domestic waste. It must be submitted to an appropriate recycling station for the recovery of electrical and electronic equipment.

By ensuring that this product is taken care of correctly, you can help to counteract the potential negative impact on the environment and people that can otherwise result through the incorrect waste management of this product. For more detailed information about recycling this product, contact your municipality, your domestic waste service or the shop from where you purchased the product.

(Fig. 69)

## Technical data

### Technical data

	LB 548i	LC 551iV
<b>Cutting motor</b>		
Motor type	BLDC (brushless) 36V	BLDC (brushless) 36V
Motor speed – SavE, rpm*	2600	2600
Motor speed – Nominal, rpm*	3000	3000
Motor speed – High load, rpm*	3300	3300
Motor output – max. kW	1.8	1.8
Motor output – Nominal, kW	1.5	1.5
<b>Drive motor</b>		
Motor output – Nominal, kW	N/A	0.3
Self walk speed, km/h	N/A	3.0–5.0
Speed adjustment levels	N/A	4
<b>Weight</b>		
Weight without battery, kg	31	41
<b>Battery</b>		
Type of battery	Husqvarna Battery Series	Husqvarna Battery Series
<b>Battery runtime</b>		
Battery runtime, min, (free run) with SavE activated, with one Husqvarna 5.2 Ah battery (Bli200).	40	30
Battery runtime, min, (free run) with standard mode activated, with one Husqvarna 5.2 Ah battery (Bli200).	30	20
<b>Noise emissions <sup>1</sup></b>		
Sound power level, measured dB (A)	93	97
Sound power level, guaranteed L <sub>WA</sub> dB (A)	93	97
<b>Sound levels <sup>2</sup></b>		
Sound pressure level at the operator's ear, dB (A)	80	84
<b>Vibration levels <sup>3</sup></b>		
Handle, m/s <sup>2</sup>	0.3	0.3
<b>Cutting equipment</b>		
Cutting height, mm	20-75	20-75

<sup>1</sup> Noise emissions in the environment measured as sound power (L<sub>WA</sub>) in conformity with EC directive 2000/14/EC.

<sup>2</sup> Reported data for noise pressure level has a typical statistical dispersion (standard deviation) of 1.2 dB (A).

<sup>3</sup> Reported data for vibration level has a typical statistical dispersion (standard deviation) of 0.2 m/s<sup>2</sup>. Vibration standard EN 60335-2-77:2017 chapter 20.105

	<b>LB 548i</b>	<b>LC 551iV</b>
Cutting width, cm	48	51
Blade standard	Mulch blade 597466510	Collect blade 597466310
Blade accessory	N/A	Mulch blade 597466410
Grass catcher capacity, l	N/A	65

\* Revolutions per minute

<b>Approved batteries</b>	<b>Type</b>	<b>Battery capacity, Ah</b>	<b>Voltage, V</b>	<b>Weight, lb/kg</b>
BLi20	Lithium-ion	4.0	36	2.6/1.2
BLi200	Lithium-ion	5.2	36	2.8/1.3
BLi300	Lithium-ion	9.4	36	4.1/1.9
BLi550X	Lithium-ion	15.6	36	12.4/5.6
BLi950X	Lithium-ion	31.1	36	15.4/7.0

<b>Approved chargers for the specified batteries, BLi</b>	<b>Input voltage, V</b>	<b>Frequency, Hz</b>	<b>Power, W</b>
QC80	100–240	50–60	80
QC80F	12	0	80
QC330	100–240	50–60	330
QC500	100–240	50–60	500

---

# EC Declaration of Conformity

---

## EC Declaration of Conformity

**Husqvarna AB**, SE-561 82 Huskvarna, Sweden, tel: +46-36-146500, declares that the **lawn mower Husqvarna LB 548i, LC 551iV** from the year 2019 and onwards, complies with the requirements of the COUNCIL'S DIRECTIVE:

- of June 8, 2011 on the "restriction of use of certain hazardous substances" **2011/65/EU**
- of May 17, 2006 "relating to machinery" **2006/42/EC**
- of February 26, 2014 "relating to electromagnetic compatibility" **2014/30/EU**
- of May 8, 2000 "relating to the noise emissions in the environment" **2000/14/EC**

Information relating to noise emissions, see Technical data.

The following standards have been applied:

**IEC 60335-1:2010, IEC 60335-2-77:2002, EN 60335-1:2012, EN 60335-2-77:2010 EN/IEC 62233:2008 EN 61000-6-3:2005 EN 61000-6-1:2005**

If not otherwise stated, the above listed standards are the latest published versions.

Notified body: **0404, RISE SMP Svensk Maskinprovning AB, Box 7035, SE-750 07 Uppsala** has performed conformity assessment according to Annex VI of directive 2000/14/EC and issued a certificate with the number:01/901/324 (LB 548i), 01/901/323 (LC 551iV)

Huskvarna, 2020-01-20



Claes Losdal, Development Manager/Garden Products  
(Authorized representative for Husqvarna AB and responsible for technical documentation)



---

## Содержание

---

Въведение.....	29	Отстраняване на проблеми.....	46
Безопасност.....	31	Транспортиране, съхранение и изхвърляне.....	47
Монтаж.....	40	Технически данни.....	48
Операция.....	41	Декларация за съответствие на ЕО.....	51
Поддръжка.....	44		

---

## Въведение

---

### Описание на продукта

Продуктът е пешеходна ротационна косачка. Моделът LB 548i използва BioClip, за да нарежете тревата на тор.

Моделът LC 551iV събира тревата в кош за трева. Свалете коша за трева, за да се получи задно

разтоварване на тревата. Поставете комплект за мулчиране (допълнителна принадлежност), за да нарежете тревата в тора.

### Предназначение

Използвайте продукта, за да косите трева в частни градини. Не използвайте продукта за други задачи.

### Общ преглед на продукта

(Фиг. 1)

1. Пулт за управление
2. Ръкохватка за спирачката на двигателя
3. Инхибитор за стартиране
4. Кош за трева (LC 551iV)
5. Заден капак (LC 551iV)
6. Ключ за безопасност
7. Въртяща се ръкохватка (LC 551iV)
8. Регулиращ лост на ръкохватката (LB 548i)
9. Капак на акумулатора
10. Управление на височината на рязане (LC 551iV)
11. Бутон за ВКЛ./ИЗКЛ.
12. Бутон SavE
13. Индикатор за SavE
14. Индикатор за акумулатора
15. Индикатор за скоростта
16. Бутон за намаляване на скоростта
17. Бутон за увеличаване на скоростта
18. Светодиод за грешка
19. Капак срещу порязване
20. Смукателни въздухопроводи
21. Типова табелка
22. Дръжка за задвижване (LC 551iV)
23. Зарядно устройство за акумулатор (Принадлежност)
24. Акумулатор (Принадлежност)
25. Мулти акумулатор (Принадлежност)
26. Пластина за адаптер (Принадлежност)
27. Адаптер за мулти акумулатор (Принадлежност)
28. Инструкция за експлоатация

### Символи върху машината

(Фиг. 2)

#### ПРЕДУПРЕЖДЕНИЕ:

Този продукт може да бъде опасен и да причини сериозно нараняване или смърт на оператора или други хора. Внимавайте и използвайте продукта правилно.

(Фиг. 3)

Прочетете внимателно ръководството за оператора и се уверете, че разбирате инструкциите, преди да използвате този продукт.

(Фиг. 4)

Дръжте хората и животните на безопасно

разстояние от работната зона.

(Фиг. 5) Пазете се от отскачащи предмети и рикошети.

(Фиг. 6) Предупреждение: Дръжте ръцете и краката си далеч от въртящия се нож.

(Фиг. 7) Предупреждение: Дръжте ръцете и краката си далеч от въртящи се части.

(Фиг. 8) Отстранете ключа за безопасност преди извършването на поправка или поддръжка.

(Фиг. 9) **Обозначения, свързани с околната среда.** Продуктът или опаковката на продукта не е битов отпадък. Рециклирайте го в одобрен пункт за изхвърляне за електрическо и електронно оборудване.

(Фиг. 10) Този продукт е в съответствие с приложимите директиви на ЕО.

(Фиг. 11) Този продукт е в съответствие с приложимите директиви

на Евразийския икономически съюз.

(Фиг. 12) Този продукт е в съответствие с приложимите директиви на UkrSEPRO.

(Фиг. 13) Този продукт е в съответствие с приложимите директиви на Устройства за наблюдение и контрол на остатъчен ток за битова и подобна употреба (RCM). Важи само за AU/NZ

(Фиг. 14) Шумовите емисиите в околната среда отговарят на изискванията на приложимите директиви на ЕО. Шумовите емисиите на продукта са посочени в *Технически данни на страница 48* и върху лепенката.

**IPX4** Със защита срещу водни пръски.

**IPX4**

(Фиг. 19) Процедура по стартиране: натиснете бутона ON/OFF (ВКЛ./ИЗКЛ.), разхлабете инхибитора за стартиране, натиснете ръкохватката на спирачката на двигателя надолу.

(Фиг. 15) Освободете ръкохватката на

спирачката на  
двигателя за спиране.

(Фиг. 16) Бавно

(Фиг. 17) Бързо

(Фиг. 18) Код с възможност за  
сканиране

---

**Забележка:** Останалите символи/стикери на машината се отнасят до изисквания по отношение на сертификати за определени пазари.

---

## Етикет върху продукта

(Фиг. 20)

Дръжте ръцете и краката си  
далеч от въртящите се  
ножове.

## Отговорност за продукта

Както е посочено в законите за отговорност за вреди, причинени от стоки, ние не носим отговорност за щети, причинени от нашия продукт, ако:

- продуктът е неправилно ремонтиран.
- продуктът е ремонтиран с части, които не са от производителя или не са одобрени от производителя.
- продуктът има принадлежност, която не е от производителя или не е одобрена от производителя.
- продуктът не е ремонтиран в одобрен сервизен център или от одобрен орган.

---

## Безопасност

---

### Дефиниции за безопасност

Предупреждения, знаци за внимание и бележки се използват за указване на особено важни части на инструкцията.



#### **ПРЕДУПРЕЖДЕНИЕ:**

Използва се, ако има опасност от нараняване или смърт за оператора или за околните, ако не се спазват инструкциите в ръководството.



**ВНИМАНИЕ:** Използва се, ако има опасност от повреждане на машината, други материали или

съседната зона, ако не се спазват инструкциите в ръководството.

---

**Забележка:** Използва се за предоставяне на повече информация, която е необходима в дадена ситуация.

---

### Общи инструкции за безопасност



#### **ПРЕДУПРЕЖДЕНИЕ:**

Прочетете следващите предупредителни указания, преди да използвате машината.

---

- Този продукт е опасен, ако се използва неправилно или ако не сте внимателни. Неспазването на инструкциите за безопасност може да доведе до нараняване или смърт.
- Тази машина създава електромагнитно поле по време на работа. При някои условия това поле може да интерферира с активни или пасивни медицински имплантанти. За да намалите риска от тежко или смъртоносно нараняване, ние препоръчваме лицата с медицински имплантанти да говорят с лекаря си и производителя на медицинския имплант, преди да започнат да работят с тази машина.
- Винаги бъдете внимателни и подхождайте разумно. Ако не сте сигурни как да работите с продукта при специална ситуация, спрете и се обърнете към Вашия дилър на Husqvarna, преди да продължите.
- Имайте предвид, че операторът носи отговорност за нещастни случаи, включващи други хора или тяхното имущество.
- Поддържайте продукта чист. Уверете се, че разчитате ясно знаците и стикерите.
- Никога не позволявайте на деца или на хора, незапознати с тези инструкции, да използват уреда. Местните разпоредби може да поставят възрастови ограничения за оператора
- Винаги наблюдавайте лица с намален физически или умствен капацитет, които използват продукта. През цялото време трябва да присъства отговорен възрастен.
- Не използвайте продукта, ако сте уморени, болни или под въздействието на алкохол, наркотици или лекарства. Това състояние оказва отрицателно въздействие върху Вашето зрение, бдителност, координация и преценка.
- Не използвайте продукта, ако е неизправен.
- Не променяйте този продукт или не го използвайте, ако има вероятност той да е бил променен от друг.

## Безопасност на работната област

---



### **ПРЕДУПРЕЖДЕНИЕ:**

Прочетете следващите предупредителни указания, преди да използвате машината.

---

- Отстранете препятствия като клони, пръчки и камъни от работната зона, преди да използвате продукта.
- Обектите, които се удрят в режещото оборудване, могат да бъдат изхвърлени и да причинят нараняване на лицата и щети на предметите. Дръжте страничните наблюдатели и животните на безопасно разстояние от продукта.
- Никога не използвайте продукта в лошо време – например при мъгла, дъжд, силни ветрове, много силен студ и риск от мъгливи. Използването на продукта в лошо време или върху влажни или мокри терени е изморително. Лошото време може да създаде опасни условия, като например хлъзгави повърхности.
- Внимавайте за лица, предмети и ситуации, които могат да са причина за намаляване на безопасната работа на продукта.
- Внимавайте за препятствия като корени, камъни, клони, ями и канавки. Дългата трева може да крие препятствия.
- Косенето на трева на склон може да бъде опасно. Не косете прекомерно стръмни склонове. Не работете с продукта, когато наклонът на повърхността е повече от 15°
- Бъдете изключително внимателни, когато сменяте посоката на движение по наклони. Използвайте продукта напречно на склона. Не се движете нагоре и надолу.
- Внимавайте, когато преминавате покрай закриват ъгли и предмети, които скриват зрителното Ви поле.

## Безопасност при работа

---



### **ПРЕДУПРЕЖДЕНИЕ:**

Прочетете следващите предупредителни указания, преди да използвате машината.

---

- Използвайте този продукт само за косене на морави. Не се допуска използването му за други цели.
- Използвайте лични предпазни средства. Направете справка с *Лични предпазни средства на страница 35*.
- Уверете се, че знаете как бързо да спрете двигателя при аварийна ситуация.
- Не използвайте продукта при дъжд или влага. Опасността от токов удар се повишава при навлизане на вода в продукта.
- Не работете с продукта, докато ножът и всички капаци не се монтират правилно. Неправилно монтираният нож може да се разхлаби и да причини телесна повреда.
- Уверете се, че ножът няма да се удря в обекти, като например камъни и корени. Това може да доведе до повреда на ножа и до огъване на двусекционния вал на двигателя. Огънатата ос предизвиква силни вибрации и има много голяма опасност ножът да се разхлаби.
- Ако ножът се удари в някакъв обект или се получат вибрации, спрете веднага продукта. Спрете двигателя, издърпайте ключа за безопасност и извадете акумулатора. Проверете продукта за повреди. Ремонтирайте повредите или потърсете оторизиран сервиз за това.
- Никога не прикрепяйте ръкохватката за спирачката на двигателя за постоянно върху дръжката, когато двигателят е стартиран.
- Поставете продукта върху стабилна, равна повърхност и го стартирайте. Уверете се, че ножът не се допира в земята или в други предмети.
- Винаги стойте зад продукта, когато го използвате.
- Всички колела трябва да бъдат на земята и да държите дръжката с 2 ръце, когато работите с продукта. Дръжете ръцете и краката си далеч от въртящите се остриета.
- Не накланяйте продукта при стартиран двигател.
- Бъдете внимателни, когато дърпате продукта назад.

- Никога не повдигайте продукта при стартиран двигател. Ако се наложи да вдигате продукта, първо спрете двигателя, издърпайте ключа за безопасност и извадете акумулатора.
- Не се движете назад при работа с продукта.
- Спрете двигателя, когато преминавате през области без трева, като например пътеки от чакъл, камък и асфалт.
- Не тичайте с продукта, докато двигателят работи. Винаги ходете, когато работите с продукта.
- Спрете двигателя, преди да промените височината на рязане. Никога не регулирайте при стартиран двигател.
- Никога не оставяйте продукта без надзор, когато двигателят работи. Спрете двигателя и се уверете, че режещото оборудване не се върти.

Инструкции за безопасност за работа

### Лични предпазни средства



**ПРЕДУПРЕЖДЕНИЕ:**  
Прочетете следващите

предупредителни указания, преди да използвате машината.

- Личните предпазни средства не изключват изцяло риска от нараняване, но намаляват степента на нараняването при злополука. Нека вашият дилър Ви помогне да изберете подходящото оборудване.
- Носете ботуши или обувки, устойчиви на хлъзгане. Не носете отворени обувки и не ходете боси.
- Използвайте дълги панталони от здрав плат.
- Когато е необходимо, носете защитни ръкавици, например, когато закрепвате, проверявате или почиствате режещото оборудване.

### Приспособления за безопасност на машината



**ПРЕДУПРЕЖДЕНИЕ:**  
Прочетете следващите предупредителни указания, преди да използвате машината.

- Не използвайте машина с неизправни приспособления за безопасност.
- Проверявайте редовно приспособленията за безопасност. Ако приспособленията за безопасност са дефектни, говорете с Вашия сервиз Husqvarna.
- Стартирайте и спрете двигателя. Ако ключът за безопасност работи правилно, двигателят може да стартира само когато ключът за безопасност е в осигурителна заключалка.

### **Ръкохватка за спирачката на двигателя**

Ръкохватка за спирачката на двигателя спира двигателя. Когато ръкохватката за спирачката на двигателя бъде пусната, двигателят спира.

За да извършите проверка на спирачката на двигателя, стартирайте двигателя и след това отпуснете ръкохватката за спирачката на двигателя. Ако двигателят не спре след 3 секунди, позволете на одобрен сервиз на Husqvarna да регулира спирачката на двигателя.

(Фиг. 21)

### **За да проверите блокировката на пускането**

Направете проверка на блокировката на пускане, за да се уверите, че тя не допуска работата на двигателя.

### **За проверка на капака срещу порязване**

Капакът срещу порязване намалява вибрациите в продукта и опасността от нараняване, причинени от острието.

- Проверете капака срещу порязване, за да се уверите, че няма повреди, като например пукнатини.

### **Ключ за безопасност**

Ключът за безопасност е под капака на акумулатора. Ключът за безопасност свързва акумулатора, който захранва двигателя с енергия.

### **За проверка на ключа за безопасност**

Ключът за безопасност свързва акумулатора, който захранва двигателя с енергия.



1. Натиснете ръкохватката за спирачката на двигателя по посока на управлението.  
Блокировката на пускането спира движението.
  2. Натиснете блокировката на пускането навън. (Фиг. 22)
  3. Освободете блокировката на пускането и се уверете, че тя се е върнала в първоначалното си положение.
- Опасност от електрически удар. Не свързвайте клемите на акумулатора с ключове, монети, винтове или други метални предмети. Това може да доведе до късо съединение на акумулатора.
  - Не поставяйте предмети във въздушните отвори на акумулатора.
  - Съхранявайте акумулатора далеч от слънчева светлина, топлина или открит огън. Акумулаторът може да се взриви и да причини изгаряния и/или химически изгаряния.

## Инструкции за безопасност за батерията



### ПРЕДУПРЕЖДЕНИЕ:

Прочетете следващите предупредителни указания, преди да използвате машината.

- Използвайте акумулаторни батерии Husqvarna като източник на захранване само на продукти Husqvarna. За да предотвратите нараняване, не използвайте акумулатора като източник на захранване за други устройства.
- Не използвайте батерии, които не се презареждат.
- Съхранявайте акумулатора далеч от дъжд или влага.
- Съхранявайте акумулаторната батерия далеч от микровълни и високо налягане.
- Не се опитвайте да разглобите или счупите акумулатора.
- Ако има в акумулатора има теч, не оставяйте течността да влиза в контакт с тялото и очите. Ако докоснете течността, измийте мястото с обилно количество вода и потърсете медицинска помощ.

- Използвайте акумулатора при температури между  $-10^{\circ}\text{C}$  и  $40^{\circ}\text{C}$ .
- Не почиствайте батерията или зарядното устройство с вода. Вижте *За почистване на акумулатора и зарядното устройство на страница 46*.
- Не използвайте дефектен или повреден акумулатор.
- Съхранявайте акумулаторите далеч от метални предмети като пирони, монети, бижута.

## Инструкции за безопасност за зарядното устройство на акумулаторната батерия



**ПРЕДУПРЕЖДЕНИЕ:**  
Прочетете следващите предупредителни указания, преди да използвате машината.

- Използвайте зарядните устройства QC за зареждане само на резервни акумулатори Husqvarna.
- Опасност от токов удар или късо съединение. Не поставяйте предмети във въздушните отвори на зарядното устройство. Не опитвайте да демонтирате зарядното устройство. Не свързвайте клемите на

зарядното устройство към метални предмети.

Използвайте одобрен електрически контакт.

- Тази машина създава електромагнитно поле по време на работа. При някои условия това поле може да интерферира с активни или пасивни медицински имплантанти. За да намалите риска от сериозно или смъртоносно нараняване, ние препоръчваме лицата с медицински импланти да говорят с лекаря си и производителя на медицинския имплант, преди да започнат да работят с този продукт.
- Редовно проверявайте дали кабелът на зарядното устройство на акумулатора не е повреден и напукан.
- Не вдигайте зарядното устройство, като го държите за кабела. За да изключите зарядното устройство от стенния контакт, дръпнете щепсела. Не дърпайте охранващия шнур.
- Дръжте охранващия кабел и удължаващите шнурове далеч от вода, масло или остри ръбове. Уверете се, че кабелът не е защитан от

врати, огради и подобни. Това може да доведе до напрежение в зарядното устройство.

- Не почиствайте зарядното устройство с вода.
- Това зарядно устройство може да се използва от деца на възраст от 8 години нагоре и лица с физически, сетивни или умствени способности или без знания и опит, ако са под надзор или са получили инструкции за безопасното използване на зарядното устройство и разбират свързаните с това рискове. Децата не трябва да си играят със зарядното устройство. Почистването и потребителската поддръжка не трябва да се извършват от деца без надзор.
- Не зареждайте акумулатори без възможност за зареждане в зарядното устройство.
- Не използвайте зарядното устройство близо до запалими материали или материали, които причиняват корозия. Не покривайте зарядното устройство. Ако има дим или огън, извадете щепсела на зарядното устройство.

- Не използвайте дефектно или повредено зарядно устройство.
- Зареждайте акумулатора само на закрито, в помещение с добра вентилация и далеч от слънчева светлина. Не зареждайте акумулатора във влажна условия.

### Инструкции за безопасност при техническо обслужване

---



#### **ПРЕДУПРЕЖДЕНИЕ:**

Прочетете следващите предупредителни указания, преди да използвате машината.

---

- Извадете ключа за безопасност преди извършване на техническа поддръжка на продукта.
- Извършете правилно техническото обслужване, за да увеличите срока на експлоатация на продукта и да намалите опасността от инциденти. Възложете извършването на професионалните ремонтни дейности на упълномощен сервиз. За повече информация говорете с най-близкия до Вас сервиз.

- Изпълнявайте стъпките от техническото обслужване, посочени в тази инструкция за експлоатация.
- Сложете ръкавици за тежки условия, когато използвате режещото оборудване. Ножът е много остър и можете лесно да се порежете.
- Поддържайте режещите краища остри и чисти за най-добра и безопасна производителност.
- Редовно проверявайте продукта при Вашия сервиз и извършвайте необходимите корекции и ремонтни дейности.
- Заменете повредени, износени или счупени части.
- Следвайте инструкциите за смяна на аксесоарите. Използвайте само аксесоари от производителя.
- Когато не ги използвате, съхранявайте продукта, акумулатора и зарядното устройство отделно на закрито сухо и заключено място. Уверете се, че деца и лица, които не са одобрени, не могат да получат достъп до продукта, акумулатора или зарядното устройство.

KEES VAN DER SPEK

## Монтаж

### Въведение



**ПРЕДУПРЕЖДЕНИЕ:** Прочетете и разберете главата за безопасност, преди да монтирате продукта.

### За монтиране и премахване на мулти акумулатора (принадлежност)

1. Премахнете 4-те гумени покрития и 4-те винта от капака на двигателя. (Фиг. 23)
2. Поставете пластината на адаптера върху капака на двигателя.
3. Прикрепете пластината на адаптера с 4-те предоставени винта с въртящ момент от 5 – 6 Nm. (Фиг. 24)
4. Отворете капака на акумулатора.
5. Извадете акумулатора от отвор 1. (Фиг. 25)
6. Премахнете уплътнителя. (Фиг. 26)
7. Поставете адаптера за акумулатор в отделението за акумулатори, докато не чуете щракване. (Фиг. 27)

8. Вкарайте шнура на адаптера за акумулатор през отвора на уплътнението. Прикрепете шнура с щипката. (Фиг. 28)
9. Монтирайте мулти акумулатора върху адаптера за акумулатор.
10. Свържете мулти акумулатора към адаптера за акумулатор. (Фиг. 29)
11. Прикрепете шнура на адаптера за акумулатор към ръкохватката с 3-те платнени ремъка. (Фиг. 30)
12. Отстранете мулти акумулатора в обратната последователност.



**ПРЕДУПРЕЖДЕНИЕ:** Не закрепяйте шнура прекалено разхлабено към ръкохватката. Шнурът може да падне от ръкохватката и да причини нараняване.

### За да монтирате ръкохватката (LC 551iV)

1. Разхлабете долните копчета.

2. Преместете фиксаторите към долния край на каналите от лявата и дясната страна на продукта. (Фиг. 31)
3. Задайте височината на дръжката в едно от 2 възможни положения.
4. Преместете фиксаторите по посока на дръжката, докато спрат и се чуе щракване. (Фиг. 32)
5. Затегнете напълно фиксаторите.

## За да монтирате ръкохватката (LB 548i)

1. Отстранете гайката на ръчката и шайбата от плочата върху горната ръчка.
2. Поставете горната ръчка на позиция отгоре спрямо долната ръчка.



**ВНИМАНИЕ:** Уверете се, че кабелите не са заплетени и няма да се повредят.

3. Закрепете шайбата и регулиращия лост на ръкохватката. (Фиг. 33)
4. Завъртете ръчката настрани за добра работна позиция, когато работите с продукта близо до стена. (Фиг. 34)

## За сглобяване на коша за трева (LC 551iV)

1. Прикрепете рамката на коша за трева към торбата за събиране на трева, като твърдата

част на торбата трябва да е отдолу. Дръжте ръкохватката на рамката от горната страна на торбата за трева. (Фиг. 35)

2. Прикрепете долната секция на рамката на коша за трева в канала от долната страна на коша за трева.
3. Прикрепете торбата за трева към рамката на коша за трева с фиксаторите. (Фиг. 36)
4. Вдигнете задния капак.
5. Прикрепете коша за трева към горния ръб на шасито.
6. Поставете долната част на коша за трева в канала за разтоварване на тревата. (Фиг. 37)

## За монтиране на приставката за мулчиране (LC 551iV принадлежност)

1. Повдигнете задния капак и извадете коша за трева.
2. Поставете приставката за мулчиране в канала за разтоварване на тревата. (Фиг. 38)
3. Заменете ножа с ножа за мулчиране, доставен с комплекта за мулчиране. Вижте *За сменяне на ножовете на страница 45*.

# Операция

## Въведение



**ПРЕДУПРЕЖДЕНИЕ:** Преди работа с продукта трябва да прочетете и разберете главата за безопасност.

## Husqvarna Connect

Husqvarna Connect е безплатно приложение за Вашето мобилно устройство. Приложението Husqvarna Connect осигурява разширени функции за Вашия продукт на Husqvarna:

- Разширена продуктова информация.
- Информация и помощ за частите на продукта и сервизното обслужване.

## За да започнете да използвате Husqvarna Connect

1. Изтеглете приложението Husqvarna Connect на Вашето мобилно устройство.
2. Регистрирайте се в приложението Husqvarna Connect.

3. Изпълнете стъпките с инструкции в приложението Husqvarna Connect, за да свържете и регистрирате продукта.

## Husqvarna Fleet Services™

Husqvarna Fleet Services™ е решение в облачна среда, което осигурява преглед на мениджъра на технологичния парк върху всички продукти. Husqvarna Fleet Services™ е включен за LC 551iV. За повече информация относно Husqvarna Fleet Services™ направете справка с [www.husqvarna.com](http://www.husqvarna.com).

## За да подготвите сензора (принадлежност)

1. Използвайте сензорния ключ, за да отворите капака на сензора. (Фиг. 39)
2. Извадете сензора.
3. Свържете акумулатора към сензора. Светодиодната лампа на сензора ще се включи. (Фиг. 40)
4. Изтеглете приложението Husqvarna Fleet Services™.
5. Влезте в приложението Husqvarna Fleet Services™.

- Извършете операция по сдвояване. Направете справка с *За извършване на операция по сдвояване между приложението и продукта на страница 42*

### За извършване на операция по сдвояване между приложението и продукта

- Влезте в приложението Husqvarna Fleet Services™.
- Изберете Вашия продукт в приложението.
- Сканирайте кода зад сензора с мобилното си устройство, за да инсталирате сензора в приложението.

**Забележка:** Нужно е да извършите сдвояване между приложението и продукта само веднъж.

### За монтаж на сензора

- Уверете се, че сензорът е свързан с приложението Husqvarna Fleet Services™. Направете справка с *За извършване на операция по сдвояване между приложението и продукта на страница 42*.

- Пробийте 2 дупки върху маркировките в слота на заграждението. (Фиг. 41)

**Забележка:** Уверете се, че отворите са със същите размери като нитовете, предоставени със сензора.

- Използвайте чифт клещи, за да премахнете външните отвори на слота за сензора. (Фиг. 42)
- Пробийте 2 дупки върху маркировките в слота за сензора. (Фиг. 43)
- Подравнете слота за сензора със слота на заграждението. (Фиг. 44)
- Прикрепете слота за сензора с нитовете.
- Монтирайте сензора в слота за сензора. Подравнете бялата маркировка на сензора с маркировката на слота за сензора. (Фиг. 45)
- Затворете капака на сензора и го заключете със сензорния ключ. Уверете се, че горната част на Husqvarna "H" не е обръзната към ключа за безопасност. (Фиг. 46)

### Задаване на продукта в положение за работа (LC 551IV)

- Вдигнете дръжката в изправено положение. (Фиг. 47)
- Преместете фиксаторите по посока на дръжката, докато спрат и се чуе щракване. (Фиг. 32)
- Затегнете напълно фиксаторите.

### За регулиране на височината на рязане

Височината на рязане може да бъде регулирана в 6 нива.

- Натиснете управлението на височината на рязане в посоката на колелото и след това назад, за да увеличите височината на рязане.
- Натиснете управлението на височината на рязане в посоката на колелото и след това напред, за да намалите височината на рязане. (Фиг. 48)



**ВНИМАНИЕ:** Не настройвайте твърде ниска височина на рязане. Ножовете могат да се ударят в земята, ако повърхността на моравата не е равна.

### Акумулатор



**ПРЕДУПРЕЖДЕНИЕ:** Преди да използвате акумулатора, трябва да прочетете и разберете главата за безопасност. Вие трябва също да прочетете и разберете ръководството на оператора за акумулатора и зарядното устройство.

### Статус на батерията

Дисплейт показва оставащия капацитет на акумулатора и дали има проблеми с него. Капацитетът на акумулатора се показва за 5 секунди, след като продуктът бъде изключен или бутонът за индикатора на акумулатора бъде натиснат. Символът за предупреждение върху акумулатора се включва, когато има грешка. Вижте *Акумулатор на страница 46*.

(Фиг. 49)

Светодиодни лампи	Статус на батерията
Всички светодиоди светят	Напълно зареден (75 – 100%)
Светодиоди 1, 2, 3 светят	Акумулаторът е зареден на 50% – 75%
Светодиоди 1 и 2 светят	Акумулаторът е зареден на 25% – 50%
Светодиод 1 свети	Акумулаторът е зареден на 0% – 25%.
Светодиод 1 мига	Батерията е изтощена. Заредете батерията.

## За зареждане на акумулатора

Заредете акумулатора преди използване за първи път. Акумулаторът е зареден само на 30%, когато се доставя на клиента.

**Забележка:** Зарядното устройство на акумулатора трябва да бъде свързано към напрежението и честотата, посочени на типовата табелка.

Акумулаторът не се зарежда, ако температурата на акумулатора е над 50°C. Зарядното устройство намалява температурата на акумулатора, преди да започне да зарежда.

1. Свържете единия край на захранващия шнур на зарядното устройство в гнездото на зарядното устройство.
2. Свържете другия край на захранващия шнур за зарядното устройство в заземен контакт. Светодиодът на зарядното устройство примигва един път в зелено. (Фиг. 50)
3. Поставете батерията в зарядното устройство. Когато акумулаторът е правилно свързан към зарядното устройство, на зарядното устройство светва зелена светлина. (Фиг. 51)
4. Когато всички светодиоди на акумулатора светнат, акумулаторът е напълно зареден. Зареждайте акумулатора за най-много 24 часа.
5. За да разкачите зарядното устройство на акумулатора от контакта, издърпайте щепсела, а не кабела.
6. Извадете батерията от зарядното устройство.

## Състояние на зареждане на акумулатора

Литиево-йонният акумулатор Husqvarna може да бъде зареден или използван във всички нива на заряда. Батерията не се поврежда. Напълно зареденият акумулатор няма да намали заряда си, дори когато е оставен в зарядното устройство.

Светодиоден дисплей	Състояние на зареждането
Светодиод 1 мига	0% – 25%
Светодиод 1 свети, светодиод 2 мига	25%-50%
Светодиоди 1 и 2 светят, светодиод 3 мига	50%-75%
Светодиоди 1, 2 и 3 светят, светодиод 4 мига	75%-100%
Светодиоди 1, 2, 3 и 4 светят	Напълно зареден

## За зареждане на мулти акумулатора

**Забележка:** Заредете батерията, ако това е първият път, в който я използвате. Новата батерия е заредена само на 30%.

1. Уверете се, че батерията е суха.
2. Свържете мулти акумулатора към адаптера. (Фиг. 52)
3. Поставете адаптера в зарядното устройство.
4. Уверете се, че зеленият светодиод за зареждане на зарядното устройство светва. Това означава, че адаптерът и мулти акумулаторът са свързани правилно. (Фиг. 53)
5. Когато всички светодиоди на акумулатора светнат и акумулаторът покаже 100%, той е напълно зареден. (Фиг. 54)  
Адаптерът показва статуса на зареждане в стъпки от 1%. В началото на зареждането са възможни отклонения.
6. За да изключите зарядното устройство от стенния контакт, дръпнете щепсела. Не дърпайте кабела.
7. Извадете адаптера от зарядното устройство.
8. Извадете мулти акумулатора от адаптера.

**Забележка:** Разгледайте инструкциите за мулти акумулатора и за зарядното устройство за повече информация.

## За стартиране на продукта

1. Вдигнете капака на акумулатора.
2. Поставете зареден акумулатор в отделениято за акумулатор номер 1 под капака на акумулатора. За по-дълъг период на работа поставете втори зареден акумулатор в отделениято за акумулатор номер 2.
3. Разкачете ключа за безопасност от държача за ключа за безопасност.
4. Поставете ключа за безопасност в осигурителната заключалка. (Фиг. 55)
5. Останете зад продукта.
6. Натиснете бутона ON/OFF (ВКЛ./ИЗКЛ.) на разпределителното табло. Дисплеят се включва.
7. Разлабете инхибитора за стартиране. (Фиг. 22)
8. Натиснете ръкохватката за спирачката на двигателя по посока на управлението. (Фиг. 56)

## За да използвате задвижването на колелата, (LC 551iV)

- Дръпнете дръжката за задвижване по посока на управлението, за да стартирате задвижването. (Фиг. 57)

- Натиснете + и – на разпределителното табло, за да зададете скоростта на задвижване в 4 стъпки. (Фиг. 58)
- Освободете дръжката за задвижване, за да изключите задвижването, например, когато приближите препятствие.

## За да използвате функцията SavE

Продуктът разполага с функция за пестене на акумулатора (SavE), която осигурява по-дълго време на работа.

1. Натиснете бутона SavE (A), за да стартирате функцията. Символът SavE (B) на дисплея се показва.
2. Натиснете отново бутона SavE, за да спрете функцията. Символът SavE (B) на дисплея се изключва. (Фиг. 59)

Функцията SavE спира автоматично, ако условията на терена изискват по-висока мощност. Функцията SavE стартира автоматично, когато условията на терена го позволяват.

## Функция PowerBoost

Когато продуктът реже дълга или влажна трева, двигателят автоматично повишава оборотите. За да спести време на акумулатора, двигателят автоматично се връща в стандартен режим, когато функцията PowerBoost не е необходима.

## Спиране на продукта

Продуктът спира автоматично, ако не работите с него в продължение на 3 минути.

1. Освободете ръкохватката за спиратката на двигателя, за да спрете двигателя. (Фиг. 21)

2. Натиснете бутона ON/OFF (ВКЛ./ИЗКЛ.) на разпределителното табло. Всички светодиодни светлини и символи на дисплея се изключват. (Фиг. 60)
3. Извадете ключа за безопасност от осигурителната заключалка и го сложете в дръжката за ключа за безопасност.

## За получаване на добър резултат

- Винаги използвайте остър нож. Косенето със затъпен нож е неравномерно и окосената повърхност пожълтява. При работа с остър нож също така се използва по-малко енергия отколкото при работа със затъпен нож.
- Не отрязвайте повече от 1/3 от дължината на тревата. Първо, косете със зададена висока височина на рязане. Вижте какъв е резултатът и намалете височината на рязане до подходящо ниво. Ако тревата е много висока, карайте бавно и – ако е необходимо – окосете два пъти.
- Режете всеки път в различни посоки, за да избегнете образуването на линии в моравата.

## За да режете трева без монтиран кош за трева или приставка за мулчиране (LC 551iV)

1. Повдигнете задния капак и извадете коша за трева.
2. Ако има монтирани приставка за мулчиране и острие за мулчиране, извадете ги.
3. Затворете задния капак преди работа с продукта.

Когато работите с продукта, изрязаната трева се извежда под задния капак.

## Поддръжка

### Въведение



**ПРЕДУПРЕЖДЕНИЕ:** Преди да извършите техническо обслужване, трябва да прочетете и разберете раздела за безопасност.

За всички работи по поддръжката и поправката на продукта е необходимо специално обучение. Осигуряваме предлагане на професионални ремонти и обслужване. Ако Вашият дилър не предлага сервизно обслужване, говорете с него, за да Ви даде информация за най-близкия сервиз.

### График за техническо обслужване

Интервалите за техническо обслужване са изчислени в зависимост от ежедневната употреба на продукта. Интервалите се променят, ако продуктът не се използва ежедневно.

За техническо обслужване, маркирано със \*, направете справка с *Инструкции за безопасност за работа на страница 35.*

	При всяка употреба	Всеки месец	Всеки сезон
Обща проверка	X		



	При всяка употреба	Всеки месец	Всеки сезон
Почистете капациите на трансмисията. Уверете се, че по двигателя няма трева	X		
Проверете инхибитора на стартирането *	X		
Уверете се, че устройствата за безопасност на продукта не са дефектни *	X		
Проверявайте коша за трева за износване или повреди	X		
Преглед на режещото оборудване	X		
Проверка на капака на режещите части *	X		
Извършване на проверка на ръкохватката за спирачката на двигателя *	X		
Уверете се, че бутонът ON/OFF (ВКЛ./ИЗКЛ.) функционира правилно и не е дефектен	X		
Проверете акумулатора за повреда	X		
Проверка на заряда на акумулатора	X		
Уверете се, че бутоните за освобождаване на акумулатора работят изправно и че акумулаторът е фиксиран в продукта	X		
Почистете смукателните въздухопроводи. Уверете се, че по смукателните въздухопроводи няма трева или мръсотия	X		
Проверете зарядното устройство за повреда и се уверете, че функционира изправно		X	
Проверете връзките между акумулатора и продукта. Освен това проверете връзката между акумулатора и зарядното устройство			X

## За извършване на обща проверка

- Уверете се, че всички гайки и винтове на продукта са затегнати.
- Уверете се, че кабелите на продукта не са в положение, в което могат да бъдат повредени.

## За сменяне на ножовете

1. Застопорете ножа с дървен блок. (Фиг. 61)
2. Отстранете придържащия болт на ножовете, пружинната шайба и ножа. (Фиг. 62)
3. Проверете носача на ножа и придържащия болт на ножовете за повреди.
  - a) Ако замените ножа или носача на ножа, също така заменете придържащия болт на ножовете, пружинната шайба и фриktionната шайба.
4. Проверете двусекционния вал на двигателя, за да се уверите, че не е огънат.
5. Когато поставяте новия нож, уверете се, че извитите краища сочат по посока на капака срещу порязване. (Фиг. 63)

6. Поставете фриktionната шайба и ножа към носача на ножа. (Фиг. 64)
7. Уверете се, че ножът е подравнен с центъра на двусекционния вал на двигателя. (Фиг. 65)
8. Застопорете ножа с дървен блок. (Фиг. 66)
9. Поставете пружинната шайба и затегнете болта с въртящ момент от 65-75 Nm. (Фиг. 67)
10. Раздвижете ножа на ръка и се уверете, че той се върти свободно.



**ПРЕДУПРЕЖДЕНИЕ:** Използвайте защитни ръкавици. Ножът е много остър и можете лесно да се порежете.

11. Стартирайте продукта, за да тествате ножа. Ако ножът не е поставен правилно, продуктът вибрира или резултатът от косенето е незадоволителен.

## За почистване на машината

- Почиствайте пластмасовите части със суха кърпа.
- Не използвайте вода за почистване на продукта. Водата може да навлезе в акумулатора или в

двигателя и да причини късо съединение или повреда на продукта.

- Не мийте продукта с устройство за миене под високо налягане.
- Не пръскайте вода директно върху двигателя.
- За отстраняване на листа, трева и прах използвайте четка.

## За почистване на акумулатора и зарядното устройство



**ВНИМАНИЕ:** Не почиствайте батерията или зарядното устройство с вода.

- Преди да поставите батерията в зарядното устройство се уверете, че батерията и зарядното устройство са чисти и сухи.
- Почистете клемите на акумулатора с въздух под налягане или използвайте чиста и суха кърпа.
- Почистете повърхностите на акумулатора и зарядното устройство с чиста и суха кърпа.

## За проверка на режещото оборудване



**ПРЕДУПРЕЖДЕНИЕ:** За да предотвратите случайно стартиране,

извадете ключа за безопасност, отстранете акумулатора и изчакайте най-малко 5 секунди.



**ПРЕДУПРЕЖДЕНИЕ:** Носете защитни ръкавици, когато ще изпълнявате дейности, свързани с техническото обслужване на режещото оборудване. Ножът е много остър и можете лесно да се порежете.

1. Проверете режещото оборудване за повреди или пукнатини. Винаги заменяйте повреденото режещо оборудване.
2. Погледнете ножа, за да разберете дали не е повреден или затъпен.

**Забележка:** Необходимо е да балансирате ножа след заточване. Ножът се заточва, сменя и балансира от сервизен център. Ако ударите препятствие и вследствие на това продуктът спре, сменете повредения нож. Оставете специалистите в сервиза да преценят дали ножът ще трябва да се заточи, или да се смени.

## Отстраняване на проблеми

### Акумулатор

Светодиод на акумулатора	Възможни неизправности	Възможна процедура
Зеленият светодиод мига	Зарядът на акумулатора е нисък	Заредете батерията. Вижте <i>За зареждане на акумулатора на страница 43</i> .
Светодиодът за грешка мига	Акумулаторът е изтощен	Заредете батерията. Вижте <i>Акумулатор на страница 46</i> .
	Температурата в работната среда е прекалено висока или прекалено ниска	Използвайте акумулатора при температури между -10°C и 40°C.
	Свърхнапрежение	Проверете дали захранващото напрежение е същото като на типовата табелка на продукта.  Извадете батерията от зарядното устройство. Изчакайте 5 секунди и опитайте отново да заредите акумулатора. Ако проблемът продължи, обърнете се към упълномощен сервиз.
Светодиодът за грешка свети	Разликата в клетките е твърде голяма (1 V)	Обърнете се към одобрен сервиз.

## Зарядно устройство за батерията

Светодиод на зарядното устройство	Възможни неизправности	Възможна процедура
Светодиодът за грешка мига	Температурата в работната среда е прекалено висока или прекалено ниска	Използвайте зарядното устройство на акумулатора при температури между 5°C и 40°C.
Светодиодът за грешка свети		Обърнете се към одобрен сервиз

## Разпределително табло

Код на грешка (Брой премигвания)	Възможни неизправности	Възможна процедура
1	Управлението на трансмисията е прекалено горещо.	Оставете продукта да се охлади. Уверете се, че по трансмисията няма трева. Почистете капака на трансмисията, ако е необходимо.
5	Оборотите на двигателя намаляват прекалено много и двигателят спира.	Почистете платформата за рязане и увеличете височината на рязане. Направете справка с <i>За регулиране на височината на рязане на страница 42</i> . Ако грешката не се махне, говорете с Вашия упълномощен сервиз.
8	Акумулаторът е изтощен.	Заредете акумулаторната батерия. Вижте <i>За зареждане на акумулатора на страница 43</i> .
9	Грешка на акумулатора или липса на сигнал от него.	Поставете правилно акумулатора в продукта и проверете конектора на акумулатора. Ако светодиода за грешка на акумулатора мига, направете справка с <i>Акумулатор на страница 42</i> .
10	Управлението на двигателя е прекалено горещо.	Спрете двигателя и изчакайте докато изстине.
Други грешки	Ако се появят други грешки, извадете ключа за безопасност, извадете акумулатора и се обърнете към упълномощен сервиз.	

## Транспортиране, съхранение и изхвърляне

### Въведение



**ПРЕДУПРЕЖДЕНИЕ:** За да предотвратите неволно стартиране по време на транспортиране, извадете ключа за безопасност, отстранете акумулатора и изчакайте поне 5 секунди.

2. Преместете фиксаторите към долния край на каналите от лявата и дясната страна на продукта. (Фиг. 31)
3. Сгънете ръкохватката напред. (Фиг. 68)
4. Извадете коша за трева.

### Транспортиране

- В сила са изискванията на Законодателството за опасни продукти, отнасящи се до литиево-йонни акумулатори.
- За търговско транспортиране трябва да се спазват специалните изисквания върху опаковката и етикетите.

### За да зададете продукта в положение при транспортиране (LC 551iV)

1. Разхлабете долните копчета.

- Уверете се, че спазвате разпоредбите за опасни материали, когато подготвяте продукта за транспорт. Може да са в сила местни разпоредби.
- Винаги изваждайте акумулатора при транспортиране.
- Поставете тиксо върху конекторите на акумулатора и се уверете, че акумулаторът не може да се движи по време на транспортиране.
- Закрепете продукта по време на транспортиране.
- Уверете се, че акумулаторът е зареден до 30% – 50% преди съхранение за продължителен период.
- Съхранявайте продукта, акумулатора и зарядното устройство в заключено помещение без достъп за деца или неупълномощени лица.
- Почистете продукта и извършете пълно обслужване, преди да го съхранявате продължително време.

## Съхранение

- Винаги изваждайте акумулатора за съхранение.
- За да се избегнат инциденти, се уверете, че акумулаторът не е свързан към продукта по време на съхранение.
- Съхранявайте зарядното устройство в затворено и сухо помещение.
- Съхранявайте акумулатора и зарядното устройство на сухо място, където няма влага или скреж.
- При съхранение разкачете акумулатора от зарядното устройство.
- Не съхранявайте акумулатора, където може да се натрупа статично електричество. Не съхранявайте акумулатора в метална кутия.
- Съхранявайте акумулатора при температура между 5°C и 25°C и далече от слънчева светлина.
- Съхранявайте зарядното устройство при температура между 5°C и 45°C и далече от слънчева светлина.

## Изхвърляне

Символите на продукта или на неговата опаковка показват, че този продукт не може да бъде третиран като битов отпадък. Той трябва да бъде подаден в съответната рециклираща станция за използване на електрическо и електронно оборудване.

Подавайки този продукт на правилното място, вие спомагате за предотвратяване на потенциалното негативно отражение върху околната среда и хората, което би могло да настъпи иначе в резултат на неправилно изхвърляне на този продукт. За повече подробна информация относно рециклирането на този продукт се свържете с местната администрация, услугите за битови отпадъци или магазина, откъдето сте закупили продукта.

(Фиг. 69)

## Технически данни

### Технически данни

	LB 548I	LC 551IV
<b>Двигател за рязане</b>		
Тип двигател	BLDC (безчетков) 36 V	BLDC (безчетков) 36 V
Обороти на двигателя – SavE, об/мин*	2600	2600
Обороти на двигателя – номинални, об/мин*	3000	3000
Обороти на двигателя – високо натоварване, об/мин*	3300	3300
Изходна мощност на двигателя – макс. kW	1,8	1,8
Изходна мощност на двигателя – номинална, kW	1,5	1,5
<b>Двигател за задвижване</b>		
Изходна мощност на двигателя – номинална, kW	Не е налично	0,3
Обороти за самостоятелно задвижване, km/h	Не е налично	3,0-5,0
Нива за регулиране на оборотите	Не е налично	4
<b>Тегло</b>		

	<b>LB 548i</b>	<b>LC 551iV</b>
Тегло без акумулаторна батерия, kg	31	41
<b>Акумулаторна батерия</b>		
Тип батерия	Серия акумулатори Husq- varna	Серия акумулатори Husq- varna
<b>Време на работа на батерията</b>		
Време за работа на акумулатора, мин., (свободна работа) при активирана функция Save, с един акумулатор Husqvarna 5,2 Ah (BLi200).	40	30
Време за работа на акумулатора, мин., (свободна работа) при активиран стандартен режим с един акумулатор Husqvarna 5,2 Ah (BLi200).	30	20
<b>Шумови емисии <sup>4</sup></b>		
Ниво на звуковата мощност, измерена dB(A)	93	97
Ниво на звуковата мощност, гарантирана [L <sub>WA</sub> dB(A)]	93	97
<b>Нива на звука <sup>5</sup></b>		
Ниво на шума при ухото на оператора, dB (A)	80	84
<b>Нива на вибрациите <sup>6</sup></b>		
Ръкохватка, m/s <sup>2</sup>	0,3	0,3
<b>Режещо оборудване</b>		
Височина на рязане, mm	20-75	20-75
Ширина на рязане, cm	48	51
Стандартен нож	Нож за мулчиране 597466510	Нож за събиране 597466310
Приспособления за нож	Не е налично	Нож за мулчиране 597466410
Капацитет на коша за трева, l	Не е налично	65

\* Обороти в минута

Одобрени акумулатори	Тип	Капацитет на акумулатора, Ah	Напрежение, V	Тегло, lb/kg
BLi20	Литиево-йонен	4,0	36	2,6/1,2
BLi200	Литиево-йонен	5,2	36	2,8/1,3
BLi300	Литиево-йонен	9,4	36	4,1/1,9
BLi550X	Литиево-йонен	15,6	36	12,4/5,6

<sup>4</sup> Шумови емисии в околната среда, измерени като звукова мощност (L<sub>WA</sub>) в съответствие с директива на ЕО 2000/14/ЕО.

<sup>5</sup> Отчетените данни за нивото на звуковото налягане имат типична статистическа дисперсия (стандартно отклонение) от 1,2 dB (A).

<sup>6</sup> Отчетените данни за равнището на вибрации имат типична статистическа дисперсия (стандартно отклонение) от 0,2 m/s<sup>2</sup>. Стандарт за вибрации EN 60335-2-77:2017 глава 20.105

Одобрени акумулатори	Тип	Капацитет на акумулатора, Ah	Напрежение, V	Тегло, lb/kg
BLi950X	Литиево-йонен	31,1	36	15,4/7,0

Одобрени зарядни устройства за определени акумулатори, BLi	Входно напрежение, V	Честота, Hz	Мощност, W
QC80	100 – 240	50 – 60	80
QC80F	12	0	80
QC330	100 – 240	50 – 60	330
QC500	100 – 240	50 – 60	500

**KEES VAN DER SPEK**  
TUINMACHINES ★ STOLWIJK

---

## Декларация за съответствие на ЕО

---

### Декларация за съответствие на ЕО

**Husqvarna AB**, SE-561 82 Хускварна, Швеция, тел.:

+46-36-146500, удостоверява, че **косачката**

**Husqvarna LB 548i, LC 551iV** от година 2019 и след това отговаря на изискванията на ДИРЕКТИВАТА НА СЪВЕТА:

- от 8 юни 2011 г. относно "ограничения за използване на определени опасни вещества" **2011/65/EC**
- от 17 май 2006 г., "свързани с машини" **2006/42/EO**
- от 26 февруари 2014 г., "свързани с електромагнетичната съвместимост" **2014/30/EC**
- от 8 май 2000 г., "свързани с шумовите емисии в околната среда" **2000/14/EO**

За информация относно емисиите на шум, вж. "Технически данни".

Приложени са следните стандарти:

**IEC 60335-1:2010, IEC 60335-2-77:2002, EN 60335-1:2012, EN 60335-2-77:2010 EN/IEC 62233:2008 EN 61000-6-3:2005 EN 61000-6-1:2005**

Ако не е указано друго, посочените по-горе стандарти са последните публикувани версии.

Нотифициран орган: **0404, RISE SMP Svensk Maskinprovning AB, Box 7035, SE-750 07 Uppsala**

извърши оценка на съответствието, съгласно анекс VI на Директивата 2000/14/EO и издаде сертификат с номер:01/901/324 (LB 548i), 01/901/323 (LC 551iV)

Husqvarna, 2020-01-20



Claes Losdal, Мениджър "Разработки и Развитие"/"Градински продукти" (Упълномощен представител за Husqvarna AB и отговорно лице за техническата документация)

---

## Obsah

---

Úvod.....	52	Odstraňování problémů.....	66
Bezpečnost.....	54	Přeprava, skladování a likvidace.....	67
Montáž.....	61	Technické údaje.....	68
Provoz.....	62	ES Prohlášení o shodě.....	71
Údržba.....	65		

---

## Úvod

---

### Popis výrobku

Výrobek je rotační sekačka na trávu s pěší obsluhou. Model LB 548i používá systém BioClip k posečení trávy na hnojivo.

Model LC 551iV sbírá trávu do koše na trávu. Chcete-li otevřít zadní výhoz trávy, sejměte koš na trávu.

### Popis výrobku

(Obr. 1)

1. Ovládací panel
2. Rukojeť brzdy motoru
3. Inhibitor spuštění
4. Koš na trávu (LC 551iV)
5. Zadní kryt (LC 551iV)
6. Bezpečnostní klíček
7. Knoflík řídítek (LC 551iV)
8. Páčka nastavení řídítek (LB 548i)
9. Kryt baterie
10. Nastavení výšky sečení (LC 551iV)
11. Tlačítko ON/OFF (ZAP/VYP)
12. Tlačítko Save (Úspora energie)
13. Kontrolka funkce Save
14. Kontrolka baterie
15. Ukazatel rychlosti
16. Tlačítko snížení rychlosti
17. Tlačítko zvýšení rychlosti
18. Chybová kontrolka LED
19. Kryt žacího ústrojí
20. Přívody vzduchu
21. Typový štítek
22. Páka pojezdu (LC 551iV)
23. Nabíječka baterie (příslušenství)
24. Baterie (příslušenství)
25. Multibaterie (příslušenství)
26. Deska adaptéru (příslušenství)
27. Adaptér multibaterie (příslušenství)
28. Návod k používání

Připevněte mulčovací sadu (příslušenství), chcete-li používat posečenou trávu jako hnojivo.

### Doporučené použití

Výrobek používejte k sečení trávy na soukromých zahradách. K jiným činnostem výrobek nepoužívejte.

### Symbole na výrobku

(Obr. 2) **VAROVÁNÍ:** Tento výrobek může být nebezpečný a způsobit obsluze či dalším osobám vážné zranění. Buďte opatrní a výrobek používejte správně.

(Obr. 3) Pečlivě si prostudujte návod k použití a před tím, než tento výrobek budete používat, se ujistěte o tom, že pokynům rozumíte.

(Obr. 4) Zajistěte, aby se v pracovní oblasti a jejím okolí nezdržovaly nepovolané osoby či zvířata.



- (Obr. 5) Pozor na odvržené a odražené předměty.
- (Obr. 6) Varování: Ruce a nohy udržujte mimo dosah rotujícího nože.
- (Obr. 7) Varování: Ruce a nohy udržujte mimo dosah rotujících částí.
- (Obr. 8) Před zahájením oprav nebo údržby vyjměte bezpečnostní klíč.
- (Obr. 9) **Označení týkající se ochrany životního prostředí.** Výrobek ani obal výrobku nelze zlikvidovat jako domácí odpad. Odevzdejte jej ve sběrném dvoře pro recyklaci elektrických a elektronických zařízení.
- (Obr. 10) Výrobek odpovídá příslušným směrnici ES.
- (Obr. 11) Výrobek odpovídá příslušným směrnici Eurasijské celní unie.
- (Obr. 12) Výrobek odpovídá příslušným směrnici UkrSEPRO.
- (Obr. 13) Výrobek odpovídá příslušným směrnici

RCM. Platné pouze pro Austrálii/Nový Zéland

- (Obr. 14) Emise hluku do okolního prostředí vyhovují příslušným směrnici ES. Emise hluku výrobku jsou uvedeny v části *Technické údaje na strani 68* a na štítku.

**IPX4** Chráněno proti stříkající vodě.  
**IPX4**

- (Obr. 19) Startovací proces: stiskněte tlačítko ON/OFF (ZAP/VYP), povolte inhibitor spuštění, zatlačte rukojeť brzdy motoru směrem dolů.
- (Obr. 15) Uvolněním rukojeti brzdy motoru zastavíte.
- (Obr. 16) Pomalu
- (Obr. 17) Rychle
- (Obr. 18) Skenovatelný kód

---

**Povšimněte si:** Další symboly/štítky na produktu se týkají certifikačních požadavků pro určité obchodní trhy.

---

## Štítek na výrobku

(Obr. 20)

Ruce a nohy udržujte mimo dosah rotujících nožů.

## Odpovědnost za výrobek

Jak uvádí zákon o odpovědnosti za výrobek, neneseme odpovědnost za žádnou škodu způsobenou našim výrobkem, pokud:

- byl výrobek nesprávně opraven.
- byl výrobek opraven pomocí součástí od jiného výrobce nebo součástí, které nejsou výrobcem schváleny.
- má výrobek příslušenství od jiného výrobce nebo příslušenství, které není výrobcem schváleno.

- výrobek nebyl opraven ve schváleném servisním středisku nebo schváleným odborníkem.

---

## Bezpečnost

---

### Definice týkající se bezpečnosti

Varování, upozornění a poznámky slouží jako upozornění na specifické důležité části návodu.



**VÝSTRAHA:** Používá se v případě nebezpečí úrazu nebo usmrcení obsluhy nebo okolních osob, pokud nejsou dodrženy pokyny uvedené v této příručce.



**VAROVÁNÍ:** Používá se v případě nebezpečí poškození výrobku, dalších materiálů či škod na majetku v blízkém okolí, pokud nejsou dodrženy pokyny uvedené v této příručce.

**Povšimněte si:** Používá se k poskytnutí dalších informací, které jsou nezbytné v dané situaci.

### Obecné bezpečnostní pokyny



**VÝSTRAHA:** Před použitím výrobku si

přečtěte následující varování.

- Tento výrobek je nebezpečný, nepoužívá-li se správně nebo není-li věnována provozu řádná pozornost. Nedodržení bezpečnostních pokynů může vést ke zranění nebo usmrcení.
- Tento výrobek vytváří během provozu elektromagnetické pole. Toto pole může za určitých okolností narušovat funkci aktivních či pasivních implantovaných lékařských přístrojů. Za účelem snížení rizika možného zranění nebo smrtelného úrazu doporučujeme osobám s implantovanými lékařskými přístroji poradit se před použitím výrobku s lékařem a s výrobcem implantovaného lékařského přístroje.
- Buďte stále opatrní a používejte zdravý rozum. Nejste-li si jisti, jak ovládat výrobek ve zvláštních situacích, vypněte jej a promluvte si s prodejcem Husqvarna, než budete pokračovat v práci.

## přečtěte následující varování.

---

- Mějte na paměti, že obsluha je odpovědná za nehody a škody vzniklé jiným osobám nebo na jejich majetku.
  - Udržujte výrobek čistý. Ujistěte se, že jsou značky a štítky dobře čitelné.
  - Nikdy nedovolte dětem nebo osobám, které se neseznámily s těmito pokyny, aby zařízení používaly. Věk obsluhy přístroje může být omezen místními předpisy.
  - Vždy sledujte osoby s fyzickým nebo mentálním postižením při práci s výrobkem. Vždy musí být přítomna zodpovědná dospělá osoba.
  - Nepoužívejte výrobek, jste-li unavení, nemocní nebo pod vlivem alkoholu, drog nebo léků. To by mohlo ovlivnit váš zrak, ostražitost, koordinaci a úsudek.
  - Nepoužívejte výrobek, pokud je vadný.
  - Nikdy neupravujte výrobek a nepoužívejte jej, pokud je možné, že jej upravil někdo jiný.
- ### Bezpečnost pracovního prostoru
- 
- Před použitím výrobku, odkliděte z pracovní oblasti předměty, jako jsou větve, větvičky a kameny.
  - Předměty, které mohou být zachyceny žacím ústrojím mohou být odmrštěny a způsobit zranění osob a poškození předmětů. Udržujte osoby v okolí a zvířata v bezpečné vzdálenosti od výrobku.
  - Nikdy nepoužívejte výrobek za špatného počasí, jako je mlha, déšť, silný vítr, intenzivní chlad a nebezpečí blesku. Použití výrobku za špatného počasí nebo ve vlhkých či mokřích podmínkách je namáhavé. Nepříznivé počasí může vytvořit nebezpečné podmínky, např. kluzký povrch.
  - Dávejte pozor na osoby, předměty a situace, které mohou bránit bezpečnému provozu výrobku.
  - Dávejte pozor na překážky, jako jsou kořeny, kameny, větve, díry a příkopy. Vysoká tráva může překážky skrýt.
  - Sečení trávy na svazích může být nebezpečné. Nesečte na



**VÝSTRAHA:** Před použitím výrobku si

příliš prudkých svazích. Nepoužívejte výrobek na svahu se sklonem větším než 15°.

- Při změně směru na svazích buďte maximálně opatrní. S výrobkem jezdíte po vrstevnicích. Nepohybujte se na svahu nahoru a dolů.
- Postupujte opatrně v blízkosti skrytých rohů a objektů, které mohou bránit ve výhledu.

## Bezpečnost práce



**VÝSTRAHA:** Před použitím výrobku si přečtěte následující varování.

- Tento výrobek použijte výhradně k sečení trávy. Není dovoleno používat výrobek k jiným činnostem.
- Používejte osobní ochranné pomůcky. Další informace naleznete v části *Osobní ochranné prostředky na strani 57*.
- Ujistěte se, že víte, jak v případě nouze rychle zastavit motor.
- Neprovozujte výrobek v dešti a vlhku. Nebezpečí úrazu elektrickým proudem se zvyšuje, přijde-li výrobek do styku s vodou.

- Neprovozujte výrobek, pokud není správně namontovaný nůž a všechny kryty. V opačném případě by se mohl nůž uvolnit a způsobit zranění osob.
- Zajistěte, aby nůž nenarazil do předmětů, jako jsou kameny a kořeny. Mohlo by dojít k poškození nože a ohnutí hřídele motoru. Ohnutý hřídel způsobuje velké vibrace a hrozí velmi vysoké riziko uvolnění nože.
- Pokud nůž narazí do nějakého předmětu nebo se objeví vibrace, okamžitě zastavte výrobek. Zastavte motor, vytáhněte bezpečnostní klíček a vyjměte baterii. Zkontrolujte, zda není výrobek poškozený. Opravte poškozené díly nebo svěřte opravu schválenému servisnímu pracovníkovi.
- Po nastartování motoru nikdy nepřipevňujte rukojeť brzd motoru trvale k rukojeti sekačky.
- Umístěte výrobek na stabilní, rovný povrch a nastartujte jej. Zkontrolujte, zda nůž nemůže přijít do kontaktu se zemí nebo cizími objekty.
- Při provozu vždy stůjte za výrobkem.

- Při provozu nechte všechna kola spočívat na zemi a držte rukojeť oběma rukama. Ruce a nohy udržujte mimo dosah rotujících nožů.
- Nenaklánějte výrobek, když je spuštěný motor.
- Dávejte pozor při tažení výrobku dozadu.
- Nikdy výrobek nezvedejte, když je spuštěný motor. Pokud musíte výrobek zvednout, nejprve vypněte motor, vytáhněte bezpečnostní klíček a vyjměte baterii.
- Při provozování výrobku nechoďte směrem dozadu.
- Před přejezdem ploch bez trávy, jako jsou cesty vytvořené ze štěrku, kamenů nebo asfaltu, vypněte motor.
- Neběhejte s výrobkem, když je spuštěný motor. Při provozu výrobku vždy pouze chodte.
- Před změnou výšky sečení vypněte motor. Nikdy neupravujte nastavení při spuštěném motoru.
- Nikdy nenechte výrobek se spuštěným motorem bez dozoru. Vypněte motor a ujistěte se, že se žací ústrojí neotáčí.

## Bezpečnostní pokyny pro provoz

### Osobní ochranné prostředky



**VÝSTRAHA:** Před použitím výrobku si přečtěte následující varování.

- Osobní ochranné prostředky nemohou zcela eliminovat nebezpečí úrazu, ale v případě nehody pomáhají snížit míru poranění. Požádejte prodejce, aby vám pomohl vybrat správné vybavení.
- Používejte odolnou obuv s protiskluzovou podrážkou. Nepoužívejte otevřenou obuv ani nepracujte naboso.
- Používejte silné, dlouhé kalhoty.
- Při určitých činnostech používejte ochranné rukavice, například při nasazování, prohlídce nebo čištění žacího ústrojí.

### Bezpečnostní zařízení na produktu



**VÝSTRAHA:** Před použitím výrobku si přečtěte následující varování.

- Nepoužívejte výrobek, jehož bezpečnostní zařízení jsou vadná!
- Pravidelně kontrolujte bezpečnostní zařízení. Pokud je zařízení vadné, obraťte se na servis Husqvarna.

### Kontrola krytu žacího ústrojí

Kryt žacího ústrojí snižuje vibrace výrobku a snižuje nebezpečí poranění nožem.

- Zkontrolujte kryt žacího ústrojí, aby bylo zajištěno, že nevykazuje známky poškození, např. praskliny.

### Bezpečnostní klíček

Bezpečnostní klíček se nachází pod víkem baterie.

Bezpečnostní klíček připojuje baterii, která slouží jako napájecí zdroj motoru.

### Kontrola bezpečnostního klíčku

Bezpečnostní klíček připojuje baterii, která slouží jako napájecí zdroj motoru.

- Zapněte a vypněte motor. V případě správné funkce bezpečnostního klíčku se motor spustí, pouze když je klíček v bezpečnostním zámku.

### Rukojeť brzdy motoru

Rukojeť brzdy motoru slouží k zastavení motoru. Když uvolníte rukojeť brzdy motoru, motor se zastaví.

Chcete-li zkontrolovat funkci brzdy motoru, nastartujte motor a uvolněte rukojeť brzdy motoru. Pokud se motor nevypne během 3 sekund, požádejte schváleného servisního pracovníka Husqvarna o seřízení brzdy motoru.

(Obr. 21)

### Kontrola inhibitoru spuštění

Provedte kontrolu inhibitoru spuštění a ujistěte se, že brání provozu motoru.

1. Zatlačte rukojeť brzdy motoru směrem k řídítkům. Inhibitor spuštění přeruší pohyb.
2. Zatlačte inhibitor spuštění směrem ven. (Obr. 22)
3. Uvolněte inhibitor spuštění a ujistěte se, že se vrátí do své výchozí polohy.

### Bezpečnostní pokyny týkající se baterií



**VÝSTRAHA:** Před použitím výrobku si

## přečtěte následující varování.

---

- Dobíjecí baterie Husqvarna používejte jako zdroj napájení pouze pro související produkty Husqvarna. Abyste zabránili zranění, nepoužívejte baterii jako zdroj napájení pro jiná zařízení.
- Nepoužívejte baterie, které nejsou určené k dobíjení.
- Nebezpečí úrazu elektrickým proudem. Vývody baterie nepřipojujte ke klíčům, mincím, šroubkům nebo jiným kovům. Může to způsobit zkrat baterie.
- Nevkládejte do větracích otvorů baterie žádné předměty.
- Chraňte baterii před sluncem, teplem nebo otevřeným ohněm. Baterie může explodovat a způsobit popáleniny a/nebo chemické popáleniny.
- Chraňte baterii před deštěm a vlhkým prostředím.
- Chraňte baterii před mikrovlnami a vysokým tlakem.
- Baterii nikdy nerozebírejte nebo nerozbíjejte.
- Pokud baterie netěsní, kapalina nesmí přijít do styku

s kůží a očima. Po styku s kapalinou omyjte zasaženou oblast velkým množstvím vody a získejte lékařskou pomoc.

- Baterii používejte při teplotě -10 °C až 40 °C.
- Baterii ani nabíječku baterií nečistěte vodou. Viz *Čištění baterie nebo nabíječky baterií na strani 66*.
- Nepoužívejte vadnou nebo poškozenou baterii.
- Baterie uchovávejte mimo dosah kovových předmětů, jako jsou např. hřebíky, mince nebo šperky.

## Bezpečnostní pokyny pro nabíječku baterií

---



**VÝSTRAHA:** Před použitím výrobku si přečtěte následující varování.

---

- Nabíječku baterií QC používejte pouze pro nabíjení náhradních baterií Husqvarna.
- Hrozí nebezpečí zkratu a úrazu elektrickým proudem. Nevkládejte do větracích otvorů nabíječky žádné předměty. Nabíječku baterií nerozebírejte. Nepřipojujte nabíjecí vývody ke kovovým předmětům. Používejte

schválenou elektrickou zásuvku.

- Tento výrobek vytváří během provozu elektromagnetické pole. Toto pole může za určitých okolností narušovat funkci aktivních či pasivních implantovaných lékařských přístrojů. Za účelem snížení rizika možného zranění nebo smrtelného úrazu doporučujeme osobám s implantovanými lékařskými přístroji poradit se před použitím výrobku s lékařem a s výrobcem implantovaného lékařského přístroje.
- Pravidelně kontrolujte, zda není napájecí kabel poškozený a nejsou na něm praskliny.
- Nabíječku nezvedejte pomocí napájecího kabelu. Když nabíječku baterií odpojujete z elektrické zásuvky, tahejte za zástrčku. Netahejte za napájecí kabel.
- Uchovávejte napájecí kabel a prodlužovací šňůry mimo dosah vody, oleje a ostrých okrajů. Dejte pozor, aby nebyl kabel přivřen ve dveřích, nezachytil se za plot a podobně. Mohlo by dojít k probíjení nabíječky.
- Nabíječku baterií nečistěte vodou.
- Nabíječku baterií smí používat děti od 8 let a osoby se sníženými fyzickými, smyslovými nebo duševními schopnostmi nebo nedostatečnými zkušenostmi či znalostmi pod dozorem odpovědné osoby, nebo pokud jim takováto osoba poskytne pokyny, které zajistí, že budou nabíječku používat bezpečným způsobem. Děti si s nabíječkou nesmí hrát. Čištění a údržbu nesmí provádět děti bez dozoru.
- V nabíječce nenabíjejte baterie, které nejsou určeny k opětovnému dobíjení.
- Nabíječku nepoužívejte v blízkosti hořlavých nebo korozivních materiálů. Nabíječku baterií nezakrývejte. V případě, že zaznamenáte kouř nebo požár, vytáhněte zástrčku kabelu nabíječky baterií ze zásuvky.
- Nepoužívejte vadnou nebo poškozenou nabíječku baterií.
- Baterii nabíjejte pouze uvnitř, a to v dobře odvětrané místnosti a mimo dosah slunečních paprsků. Nenabíjejte baterii ve vlhkém prostředí.



## Bezpečnostní pokyny pro údržbu



**VÝSTRAHA:** Před použitím výrobku si přečtěte následující varování.

- Před prováděním údržby výrobku vyjměte bezpečnostní klíček.
- Správným provedením údržby zvýšíte životnost výrobku a snížíte nebezpečí nehod. Odborné opravy by měl provést schválený servisní pracovník. Pro další informace se obraťte na nejbližšího servisního pracovníka.
- Provádějte pouze údržbu uvedenou v tomto návodu k používání.
- Při manipulaci s žacím ústrojím používejte silné rukavice. Nůž je velmi ostrý a může snadno dojít k pořezání.
- Pro dosažení nejlepšího výsledku a bezpečnosti zajistěte, aby byla ostří nože čistá a ostrá.
- Zajistěte pravidelné kontroly a provádění potřebného seřízení a oprav výrobku u servisního pracovníka.
- Poškozené, opotřebené či prasklé součásti vyměňte.
- Dodržujte pokyny pro výměnu příslušenství. Používejte výhradně příslušenství od výrobce.
- Pokud není výrobek, baterie a nabíječka baterií právě v provozu, uchovávejte je samostatně v suchém, vnitřním a uzamčeném prostoru. Zajistěte, aby k výrobku, baterii či nabíječce baterií neměly přístup děti ani nepovolané osoby.

## Montáž

### Úvod



**VÝSTRAHA:** Než začnete montovat výrobek, přečtěte si pozorně kapitolu o bezpečnosti.

### Instalace a vyjmutí multibaterie (příslušenství)

1. Sejměte 4 pryžové kryty a vyšroubujte 4 šrouby z krytu motoru. (Obr. 23)
2. Nasaďte desku adaptéru na kryt motoru.
3. Připevněte desku adaptéru pomocí 4 dodaných šroubů utahovacím momentem 5–6 Nm. (Obr. 24)
4. Otevřete víko baterie.
5. Vyjměte baterii ze slotu 1. (Obr. 25)
6. Demontujte zarážku těsnění. (Obr. 26)
7. Zatlačte adaptér baterie do přihrádky na baterii, dokud neuslyšíte cvaknutí. (Obr. 27)
8. Protáhněte kabel adaptéru baterie otvorem zarážky těsnění. Připevněte kabel pomocí svorky. (Obr. 28)
9. Vložte multibaterii do adaptéru baterie.
10. Připojte multibaterii k adaptéru baterie. (Obr. 29)
11. Připojte kabel adaptéru baterie k řídkům pomocí 3 látkových popruhů. (Obr. 30)
12. Demontáž multibaterie proveďte v opačném pořadí.



**VÝSTRAHA:** Nepřipojujte kabel k říditkům příliš volně. Kabel se může uvolnit od řídiček a způsobit zranění.

## Montáž rukojeti (LC 551iV)

1. Povolte spodní matice.
2. Posuňte knoflíky na spodní konec drážek na pravé i na levé straně výrobku. (Obr. 31)
3. Nastavte výšku rukojeti do jedné ze 2 dostupných poloh.
4. Posuňte knoflíky směrem k rukojeti, dokud se nezastaví a neuslyšíte cvaknutí. (Obr. 32)
5. Knoflíky řádně utáhněte.

## Montáž řídiček (LB 548i)

1. Odmontujte matici řídiček a podložku z destičky na horní části řídiček.
2. Umístěte horní část řídiček do polohy nad dolní část řídiček.



**VAROVÁNÍ:** Zkontrolujte, zda se nezachytila lanka a zda nejsou poškozená.

3. Namontujte podložku a páčku nastavení řídiček. (Obr. 33)

4. Pokud pracujete s výrobkem v blízkosti stěny, otočte řídička do strany do vhodné provozní polohy. (Obr. 34)

## Montáž koše na trávu (LC 551iV)

1. Vložte rám do koše na trávu tak, aby pevná část koše směřovala dolů. Dbejte na to, aby bylo madlo rámu na venkovní straně koše. (Obr. 35)
2. Nasadte spodní část rámu do drážky na spodní straně koše na trávu.
3. Připevněte koš na trávu k rámu pomocí svorek. (Obr. 36)
4. Zvedněte zadní kryt.
5. Upevněte sběrací koš k hornímu okraji podvozku.
6. Umístěte dolní část koše na trávu do kanálu výhozu trávy. (Obr. 37)

## Montáž mulčovací vložky (příslušenství LC 551iV)

1. Zvedněte zadní kryt a vyjměte koš na trávu.
2. Vložte do kanálu výhozu trávy mulčovací vložku. (Obr. 38)
3. Nahraďte nůž mulčovacím nožem dodaným s mulčovací sadou. Další informace naleznete v části *Postup výměny nože na strani 65*.

## Provoz

### Úvod



**VÝSTRAHA:** Před používáním produktu je třeba, abyste si přečetli a porozuměli kapitole o bezpečnosti.

## Husqvarna Connect

Husqvarna Connect je bezplatná aplikace pro mobilní zařízení. Aplikace Husqvarna Connect dodá vašemu výrobku Husqvarna doplňkové funkce:

- Rozšířené informace o výrobku.
- Informace o dílech a servisu a nápověda pro tyto položky.

### Jak začít používat aplikaci Husqvarna Connect

1. Stáhněte si aplikaci Husqvarna Connect do svého mobilního zařízení.
2. V aplikaci Husqvarna Connect se zaregistrujte.
3. Při připojování a registraci výrobku postupujte podle pokynů v aplikaci Husqvarna Connect.

## Husqvarna Fleet Services™

Aplikace Husqvarna Fleet Services™ je cloudové řešení, které poskytuje správci komerčního strojového parku

přehled o všech výrobcích. Aplikace Husqvarna Fleet Services™ je zahrnuta v modelu LC 551iV. Další informace o aplikaci Husqvarna Fleet Services™ naleznete na webu [www.husqvarna.com](http://www.husqvarna.com).

### Příprava senzoru (příslušenství)

1. Pomocí klíče snímače otevřete víko snímače. (Obr. 39)
2. Demontujte snímač.
3. Připojte baterii ke snímači. Rozsvítí se kontrolka LED snímače. (Obr. 40)
4. Stáhněte si aplikaci Husqvarna Fleet Services™.
5. Přihlaste se do aplikace Husqvarna Fleet Services™.
6. Proveďte spárování. Viz část *Spárování aplikace a výrobku na strani 62*

### Spárování aplikace a výrobku

1. Přihlaste se do aplikace Husqvarna Fleet Services™.
2. V aplikaci vyberte svůj výrobek.
3. Naskenujte kód za snímačem pomocí mobilního zařízení a nainstalujte snímač do aplikace.

**Povšimněte si:** Spárování aplikace a výrobku je nutné provést pouze jednou.

## Montáž snímače

1. Ujistěte se, že je snímač připojen k aplikaci Husqvarna Fleet Services™. Další informace jsou uvedeny v části *Spárování aplikace a výrobku na straní 62*.
2. Vyvrtejte 2 otvory podle značek ve skříní. (Obr. 41)

**Povšimněte si:** Ujistěte se, že otvory mají stejný rozměr jako nýty dodané se snímačem.

3. Pomocí kleští odstraňte vnější otvory na slotu snímače. (Obr. 42)
4. Vyvrtejte 2 otvory podle značek na slotu snímače. (Obr. 43)
5. Zarovnejte slot snímače se slotem ve skříní. (Obr. 44)
6. Připevňte slot snímače pomocí nýtů.
7. Nainstalujte snímač do slotu snímače. Zarovnejte bílou značku na snímači se značkou na slotu snímače. (Obr. 45)
8. Zavřete víko snímače a zajistěte jej klíčem snímače. Ujistěte se, že horní část písmene „H“ Husqvarna směřuje od bezpečnostního klíče. (Obr. 46)

## Nastavení výrobku do provozní polohy (LC 551iV)

1. Zvedněte říditka do vzpřímené polohy. (Obr. 47)
2. Posuňte knoflíky směrem k rukojeti, dokud se nezastaví a neuslyšíte cvaknutí. (Obr. 32)
3. Knoflíky řádně utáhněte.

## Nastavení výšky sečení

Výšku sečení lze nastavit v 6 úrovních.

1. Zatlačte ovladač výšky sečení ve směru kola a poté dozadu, pokud chcete zvýšit výšku sečení.
2. Zatlačte ovladač výšky sečení ve směru kola a poté dopředu, pokud chcete snížit výšku sečení. (Obr. 48)



**VAROVÁNÍ:** Nenastavujte výšku sečení příliš nízko. V případě, že není povrch trávníku rovný, mohou nože přijít do styku se zemí.

## Baterie



**VÝSTRAHA:** Před použitím baterie je třeba, abyste si přečetli a porozuměli kapitole o bezpečnosti. Rovněž je nezbytné, abyste si přečetli a pochopili návod k používání baterie a nabíječky baterií.

## Stav baterie

Displej ukazuje zbývající kapacitu baterie a zda došlo k problémům s baterií. Kapacita baterie se zobrazuje 5 sekund po vypnutí produktu nebo po stisku tlačítka ukazatele stavu baterie. Pokud dojde k chybě, rozsvítí se na baterii výstražný symbol. Viz *Baterie na straní 66*.

(Obr. 49)

Kontrolky LED	Stav baterie
Všechny kontrolky LED svítí	Plně nabití (75–100 %).
Svítil kontrolky LED 1, LED 2, LED 3.	Nabití baterie je 50–75 %.
Svítil kontrolky LED 1, LED 2.	Nabití baterie je 25–50 %.
Svítil kontrolka LED 1.	Baterie je nabitá na 0–20 %.
Bliká kontrolka LED 1.	Baterie je vybitá. Nabijte baterii.

## Nabití baterie

Před prvním použitím baterii nabijte. Baterie je při dodání zákazníkovi nabitá pouze na 30 %.

**Povšimněte si:** Nabíječka baterií musí být připojena ke zdroji o napětí a frekvenci uvedené na typovém štítku.

Pokud teplota baterie přesahuje 50 °C, baterie se nenabíjí. Před zahájením nabíjení zajistí nabíječka baterií snížení teploty baterie.

1. Připojte jeden konec napájecího kabelu nabíječky baterií do zásuvky na nabíječce baterií.
2. Připojte druhý konec napájecího kabelu nabíječky baterií do uzemněné elektrické zásuvky. Kontrolka LED na nabíječce baterií jednou zeleně blikne. (Obr. 50)
3. Vložte baterii do nabíječky baterií. Když je baterie správně připojena k nabíječce baterií, rozsvítí se na nabíječce zelené světlo. (Obr. 51)
4. Když svítí všechny kontrolky LED baterie, baterie je plně nabitá. Baterii nabíjejte maximálně po dobu 24 hodin.
5. Když nabíječku baterií odpojujete z elektrické zásuvky, tahejte za zástrčku, nikoliv za kabel.
6. Vyjměte baterii z nabíječky.

## Stav nabíjení baterie

Lithium-iontové baterie Husqvarna lze nabíjet i používat bez ohledu na jejich úroveň nabití. Baterie není poškozená. I když plně nabitou baterii ponecháte v nabíječce, nedojde k poklesu jejího nabití.

LED displej	Stav nabíjení
Bliká kontrolka LED 1.	0–25 %
Svítil kontrolka LED 1, bliká kontrolka LED 2.	25–50 %
Svítil kontrolky LED 1, LED 2, bliká kontrolka LED 3.	50–75 %
Svítil kontrolky LED 1, LED 2, LED 3, bliká kontrolka LED 4.	75–100 %
Svítil kontrolky LED 1, LED 2, LED 3, LED 4.	Plně nabitá

## Nabítí multibaterie

**Povšimněte si:** Před prvním použitím nabijte baterii. Nová baterie je nabitá pouze na 30 %.

1. Zkontrolujte, zda je baterie suchá.
2. Připojte multibaterii k adaptéru. (Obr. 52)
3. Adaptér vložte do nabíječky baterie.
4. Zkontrolujte, zda se rozsvítí zelená kontrolka LED nabíjení na nabíječce. To znamená, že adaptér a multibaterie jsou správně připojeny. (Obr. 53)
5. Když svítí všechny kontrolky LED baterie a na adaptéru se zobrazí 100 %, baterie je plně nabitá. (Obr. 54)  
Adaptér zobrazuje stav nabití v krocích po 1 %. Na začátku nabíjení jsou možné malé odchylky.
6. Když nabíječku baterií odpojujete z elektrické zásuvky, tahejte za zástrčku. Netahejte za kabel.
7. Vyměňte adaptér z nabíječky baterií.
8. Vyměňte multibaterii z adaptéru.

**Povšimněte si:** Další informace naleznete v návodech přiložených k multibaterii a nabíječce baterií.

## Spuštění výrobku

1. Zvedněte víko baterie.
2. Vložte nabitou baterii do slotu baterie číslo 1 pod víkem baterie. Pro dosažení delší doby provozu vložte druhou baterii do slotu číslo 2.
3. Vyměňte bezpečnostní klíč z držáku bezpečnostního klíče.
4. Zatlačte bezpečnostní klíč do bezpečnostního zámku. (Obr. 55)
5. Postavte se za výrobek.
6. Stiskněte tlačítko ON/OFF (ZAP/VYP) na ovládacím panelu. Rozsvítí se displej.
7. Povolte inhibitor spouštění. (Obr. 22)

8. Zatlačte rukojeť brzdy motoru směrem k řídítkům. (Obr. 56)

## Použití pohonu kol (LC 551iV)

- Pojezd spustíte přitáhnutím páky pojezdu směrem k řídítkům. (Obr. 57)
- Stisknutím tlačítek + a - na ovládacím panelu lze nastavit 4 úrovně rychlosti pojezdu. (Obr. 58)
- V blízkosti překážek uvolněte páku pojezdu, aby se deaktivoval pohon.

## Použití funkce SavE

Výrobek má funkci úspory energie v bateriích (SavE), která prodlužuje dobu provozu.

1. Funkci zapnete stisknutím tlačítka SavE (A). Na displeji se rozsvítí symbol funkce SavE (B).
2. Opětovným stiskem tlačítka SavE funkci vypnete. Symbol funkce SavE (B) na displeji zhasne. (Obr. 59)

Funkce SavE se vypne automaticky, pokud terénní podmínky vyžadují vyšší výkon. Jakmile to terénní podmínky dovolí, funkce SavE se automaticky znovu zapne.

## Funkce PowerBoost

Když výrobek seká dlouhou či mokrou travu, motor automaticky zvýší své otáčky. Pokud není funkce PowerBoost nutná, motor se automaticky přepne zpět do standardního režimu, aby se šetřila baterie.

## Zastavení výrobku

Výrobek se automaticky vypne po 3 minutách, kdy s ním nepracujete.

1. Zastavte motor uvolněním rukojeti brzdy motoru. (Obr. 21)
2. Stiskněte tlačítko ON/OFF (ZAP/VYP) na ovládacím panelu. Všechny kontrolky LED a symboly na displeji zhasnou. (Obr. 60)
3. Vyměňte bezpečnostní klíč z bezpečnostního zámku a vložte jej do držáku bezpečnostního klíče.

## Jak docílit dobrých výsledků

- Používejte vždy ostrý nůž. Při použití tupého nože je stříh nepravidelný a posečený povrch trávy žlutne. Ostrý nůž také vyžaduje méně energie než tupý nůž.
- Nesekejte více než 1/3 výšky trávy. Nejprve sekejte se žacími ústrojími nastavenými vysoko. Zkontrolujte výsledek a případně snižte výšku sečení na požadovanou úroveň. Pokud je tráva velmi vysoká, jezděte pomalu a v případě potřeby sekejte 2krát.
- Sekejte vždy v jiném směru, aby na trávníku nevznikly pruhy.

## Sečení trávy bez koše na trávu nebo mulčovací vložky (LC 551iV)

1. Zvedněte zadní kryt a vyjměte koš na trávu.
2. Pokud je namontována mulčovací vložka a mulčovací nůž, odstraňte je.

3. Než začnete s výrobkem pracovat, zavřete zadní kryt.

Při práci s výrobkem bude posečená tráva vylétávat pod zadním krytem.

## Údržba

### Úvod



**VÝSTRAHA:** Před prováděním údržby je třeba, abyste si přečetli a porozuměli kapitole o bezpečnosti.

Pro servis a opravy výrobku je nezbytné speciální školení. Garantujeme dostupnost profesionálních oprav a servisu. Pokud neposkytuje prodejce servisní služby, požádejte jej o informace o nejbližším servisu.

### Plán údržby

Intervaly údržby se vypočítávají na základě každodenního používání výrobku. Intervaly se mění, není-li výrobek používán denně.

Pro údržbu označenou symbolem \* najdete pokyny v části *Bezpečnostní pokyny pro provoz na strani 57*.

	Každé použití	Měsíčně	Každou sezónu
Proveďte běžnou kontrolu.	X		
Vyčistěte kryty převodovky. Zkontrolujte, zda na motoru nejsou zbytky trávy.	X		
Zkontrolujte inhibitor spuštění.*	X		
Zkontrolujte, zda nejsou vadná bezpečnostní zařízení výrobku.*	X		
Zkontrolujte, zda není koš na trávu opotřebený nebo poškozený.	X		
Zkontrolujte žací ústrojí.	X		
Zkontrolujte kryt žacího ústrojí.*	X		
Zkontrolujte rukojeť brzdy motoru.*	X		
Zkontrolujte, že tlačítko ON/OFF (ZAP/VYP) funguje správně a není vadné.	X		
Zkontrolujte, zda není baterie poškozena.	X		
Zkontrolujte úroveň nabití baterie.	X		
Zkontrolujte, zda na baterii fungují tlačítka pro uvolnění baterie a zda drží baterii v produktu.	X		
Vyčistěte přívody vzduchu. Ujistěte se, že na přívodech vzduchu není tráva ani nečistoty.	X		
Zkontrolujte, zda není nabíječka baterií poškozena a ujistěte se, že funguje správně.		X	
Zkontrolujte připojení mezi baterií a výrobkem. Rovněž zkontrolujte připojení mezi baterií a nabíječkou baterií.			X

### Provedení běžné kontroly

- Zajistěte, aby byly matice a šrouby na výrobku správně dotaženy.
- Zkontrolujte, že kabely výrobku nejsou na místě, kde by mohlo dojít k jejich poškození.

### Postup výměny nože

1. Zajistěte nůž pomocí dřevěného špalíku. (Obr. 61)
2. Odmontujte šroub nože, pružnou podložku a nůž. (Obr. 62)

3. Zkontrolujte, zda nejsou unášec nože a šroub nože poškozené.
  - a) Při výměně nože nebo unášec nože rovněž vyměňte šroub nože, pružnou podložku a třecí podložku.
4. Prohlédněte hřídel motoru a ujistěte se, že není ohnutý.
5. Při montáži nového nože se ujistěte, že jsou konce nože zahnuté ve směru krytu žacího ústrojí. (Obr. 63)
6. Nasadte třecí podložku a nůž na unášec nože. (Obr. 64)
7. Zkontrolujte, zda je nůž zarovnaný se středem hřídele motoru. (Obr. 65)
8. Zajistěte nůž pomocí dřevěného špalíku. (Obr. 66)
9. Nasadte pružnou podložku a dotáhněte šroub utahovacím momentem 65-75 Nm. (Obr. 67)
10. Otočte nožem rukou a zkontrolujte, zda se volně otáčí.



**VÝSTRAHA:** Používejte ochranné rukavice. Nůž je velmi ostrý a může snadno dojít k požití.

11. Nastartujte výrobek a proveďte test nože. Pokud není nůž správně připevněn, výrobek vibruje a výsledky sečení nejsou uspokojivé.

## Čištění výrobku

- Plastové části čistěte čistou a suchou utěrkou.
- Nečistěte výrobek vodou. Voda může proniknout do baterie nebo motoru a způsobit zkrat nebo poškození výrobku.
- K čištění výrobku nepoužívejte vodu pod vysokým tlakem.
- Motor nesmí být přímo oplachován vodou.

- Pomocí kartáče odstraňte listí, trávu a nečistoty.

## Čištění baterie nebo nabíječky baterií



**VAROVÁNÍ:** Baterii ani nabíječku baterií nečistěte vodou.

- Než vložíte baterii do nabíječky, zkontrolujte, zda jsou baterie a nabíječka baterie čisté a suché.
- Očistěte kontakty baterie stlačeným vzduchem nebo použijte měkkou a suchou utěrkou.
- Očistěte povrch baterie a nabíječku baterie měkkou a suchou utěrkou.

## Kontrola žacího ústrojí



**VÝSTRAHA:** Neúmyslnému spuštění můžete zabránit tím, že vytáhnete bezpečnostní klíček, vyjmete baterii a počkáte alespoň 5 sekund.



**VÝSTRAHA:** Při provádění údržby žacího ústrojí používejte ochranné rukavice. Nůž je velmi ostrý a může snadno dojít k požití.

1. Zkontrolujte žací ústrojí ohledně poškození a prasklin. Poškozené žací ústrojí vždy vyměňte.
2. Prohlédněte nůž a zkontrolujte, zda není poškozený nebo tupý.

**Povšimněte si:** Po ostření je nezbytné nůž vyvážit. Výměnu, ostření a vyvážení nože světe servisnímu středisku. Dojde-li k nárazu do překážky, po kterém dochází k vypínání výrobku, vyměňte poškozený nůž. O tom, zda je možné nůž nabrousit či zda je nutné ho vyměnit, rozhodne servisní středisko.

## Odstraňování problémů

### Baterie

Kontrolka LED na baterii	Možné závady	Možné řešení
Zelená kontrolka LED bliká	Napětí baterie je nízké	Nabijte baterii. Viz <i>Nabití baterie na strani 63</i> .
Chybová kontrolka LED bliká	Baterie je slabá	Nabijte baterii. Viz <i>Baterie na strani 66</i> .
	Teplota v pracovním prostředí je příliš vysoká nebo nízká	Baterii používejte při teplotě -10 °C až 40 °C.
	Přepětí	Zkontrolujte, zda napětí elektrické sítě odpovídá napětí uvedenému na typovém štítku produktu.  Vyjměte baterii z nabíječky. Počkejte 5 sekund a zkuste baterii znovu nabít. Pokud potíže přetrvávají, obraťte se na autorizovaného servisního pracovníka.

Kontrolka LED na baterii	Možné závady	Možné řešení
Chybová kontrolka LED svítí	Příliš velký rozdíl napětí článků (1 V)	Obrat'te se na schváleného servisního pracovníka.

## Nabíječka baterií

Kontrolka LED na nabíječce baterií	Možné závady	Možné řešení
Chybová kontrolka LED bliká	Teplota v pracovním prostředí je příliš vysoká nebo nízká	Nabíječku baterií používejte při teplotě 5 °C až 40 °C.
Chybová kontrolka LED svítí		Obrat'te se na schváleného servisního pracovníka.

## Ovládací panel

Chybový kód (počet bliknutí)	Možné závady	Možné řešení
1	Došlo k přehřátí převodovky.	Nechte výrobek vychladnout. Zkontrolujte, zda na převodovce nejsou zbytky trávy. V případě potřeby vyčistěte kryt převodovky.
5	Otáčky motoru klesnou příliš nízkou a motor se zastaví.	Vyčistěte žací ústrojí a zvyšte výšku sečení. Další informace jsou uvedeny v části <i>Nastavení výšky sečení na strani 63</i> . Pokud chyba přetrvává, obrat'te se na schváleného servisního pracovníka.
8	Baterie je slabá.	Nabijte baterii. Další informace naleznete v části <i>Nabití baterie na strani 63</i> .
9	Chyba baterie nebo žádný signál z baterie.	Vložte správně baterii do výrobku a zkontrolujte konektor baterie. Pokud chybová kontrolka LED na baterii bliká, vyhledejte informace v části <i>Baterie na strani 63</i> .
10	Došlo k přehřátí ovládacího motoru.	Zastavte motor a počkejte, než vychladne.
Jiné chyby	Pokud se objeví jiná chyba, vytáhněte bezpečnostní klíček a baterii a obrat'te se na schváleného servisního pracovníka.	

## Přeprava, skladování a likvidace

### Úvod



**VÝSTRAHA:** Neúmyslnému spuštění během přepravy můžete zabránit tím, že vytáhněte bezpečnostní klíček a baterii a počkáte alespoň 5 sekund.

2. Posuňte knoflíky na spodní konec drážek na pravé i na levé straně výrobku. (Obr. 31)
3. Sklopte rukojeť dopředu. (Obr. 68)
4. Sundejte koš na trávu.

### Přeprava

- Na dodané Li-ion baterie se vztahují požadavky legislativy o nebezpečném zboží.
- Při komerční přepravě musí být dodrženy speciální požadavky na balení a označení.

### Nastavení výrobku do přepravní polohy (LC 551iV)

1. Povolte spodní matici.

- Při přípravě výrobku k přepravě nezapomeňte dbát předpisů pro nebezpečné materiály. Mohou platit místní předpisy.
- Při přepravě vždy vyjměte baterii.
- Přeplete konektory baterie páskou a zajistěte, aby se baterie při přepravě nemohla pohybovat.
- Během přepravy výrobek zajistěte.
- Ujistěte se, že je baterie před dlouhodobým uskladněním nabitá na 30 % až 50 %.
- Produkt, baterii a nabíječku baterií skladujte v uzamčeném prostoru mimo dosah dětí a nepovolaných osob.
- Před dlouhodobým skladováním výrobku jej vyčistěte a proveďte kompletní údržbu.

## Skladování

- Při skladování baterii vždy vyjmějte.
- Abyste zabránili nehodám, zajistěte, aby při skladování nebyla baterie připojená k výrobku.
- Nabíječku baterií uchovávejte na uzavřeném a suchém místě.
- Baterii a nabíječku baterií uchovávejte na suchém místě, kde nehrozí vlhkost či mráz.
- Při skladování baterii odpojte od nabíječky baterií.
- Neskladujte baterii v místech, kde může docházet k výbojům statické elektřiny. Neskladujte baterii v kovovém obalu.
- Baterii uchovávejte na místě s teplotou mezi 5 °C a 25 °C a mimo dosah slunečních paprsků.
- Nabíječku baterií uchovávejte na místě s teplotou mezi 5 °C a 45 °C a mimo dosah slunečních paprsků.

## Likvidace

Symbols na produktu nebo jeho obalu označují, že tento výrobek nesmí být likvidován jako domácí odpad. Musí být odevzdán do příslušné recyklační stanice pro recyklaci elektrických a elektronických zařízení.

Zajištěním odpovídající likvidace tohoto výrobku pomůžete zabránit potenciálnímu negativnímu dopadu na životní prostředí a zdraví lidí, který by jinak mohl být důsledkem nesprávné likvidace tohoto výrobku. Podrobnější informace o recyklaci tohoto výrobku získáte na městském úřadě, u služby zajišťující zpracování domácího odpadu nebo v prodejně, kde jste výrobek zakoupili.

(Obr. 69)

## Technické údaje

### Technické údaje

	LB 548I	LC 551IV
<b>Motor žacího systému</b>		
Typ motoru	BLDC (bezkontaktní) 36V	BLDC (bezkontaktní) 36V
Otáčky motoru – SavE, ot/min*	2600	2600
Otáčky motoru – jmenovité, ot/min*	3000	3000
Otáčky motoru – vysoké zatížení, ot/min*	3300	3300
Výkon motoru – max., kW	1,8	1,8
Výkon motoru – jmenovitý, kW	1,5	1,5
<b>Hnací motor</b>		
Výkon motoru – jmenovitý, kW	Není k dispozici	0,3
Rychlost vlastního pojezdu, km/h	Není k dispozici	3,0–5,0
Úroveň rychlosti	Není k dispozici	4
<b>Hmotnost</b>		
Hmotnost bez baterie, kg	31	41
<b>Baterie</b>		
Typ baterie	Řada baterií Husqvarna	Řada baterií Husqvarna
<b>Doba provozu baterie</b>		



	LB 548i	LC 551iV
Provozní doba baterie, min, (volný chod) s aktivovanou funkcí SavE, s jednou baterií Husqvarna 5,2 Ah (BLi200).	40	30
Provozní doba baterie, min, (volný chod) s aktivovaným standardním režimem, s jednou baterií Husqvarna 5,2 Ah (BLi200).	30	20
<b>Emise hluku <sup>7</sup></b>		
Hladina akustického výkonu, změřená dB (A)	93	97
Hladina akustického výkonu, zaručená L <sub>WA</sub> dB (A)	93	97
<b>Hladina hluku <sup>8</sup></b>		
Hladina akustického tlaku na sluch obsluhy, dB (A)	80	84
<b>Úrovně vibrací <sup>9</sup></b>		
Rukojeť, m/s <sup>2</sup>	0,3	0,3
<b>Řezací zařízení</b>		
Výška sečení, mm	20–75	20–75
Šířka stříhu, cm	48	51
Nůž standardní	Mulčovací nůž 597466510	Sběrací nůž 597466310
Příslušenství nože	Není k dispozici	Mulčovací nůž 597466410
Kapacita koše na trávu, l	Není k dispozici	65

\* Otáčky za minutu

KEES VAN DER SPEK  
TUINMACHINES \* STOLWIJK

Schválené baterie	Typ	Kapacita baterie, Ah	Napětí, V	Hmotnost, lb/kg
BLi20	Lithium-iontová	4,0	36	2,6/1,2
BLi200	Lithium-iontová	5,2	36	2,8/1,3
BLi300	Lithium-iontová	9,4	36	4,1/1,9
BLi550X	Lithium-iontová	15,6	36	12,4/5,6
BLi950X	Lithium-iontová	31,1	36	15,4/7,0

Schválené nabíječky pro uvedené baterie, BLi	Vstupní napětí, V	Kmitočet, Hz	Výkon, W
QC80	100–240	50–60	80
QC80F	12	0	80
QC330	100–240	50–60	330

<sup>7</sup> Emise hluku v životním prostředí měřené jako akustický výkon (L<sub>WA</sub>) v souladu se směrnici 2000/14/ES.

<sup>8</sup> Uváděná data pro hladinu tlaku zvuku mají typickou statistickou odchylku (standardní odchylku) 1,2 dB (A).

<sup>9</sup> Uváděná data o úrovni vibrací mají typickou statistickou odchylku (standardní odchylku) 0,2 m/s<sup>2</sup>. Norma vibrací EN 60335-2-77:2017 kapitola 20.105

Schválené nabíječky pro uvedené baterie, BLi	Vstupní napětí, V	Kmitočet, Hz	Výkon, W
QC500	100–240	50–60	500

**KEES VAN DER SPEK**  
TUINMACHINES ★ STOLWIJK

---

## ES Prohlášení o shodě

---

### ES Prohlášení o shodě

**Husqvarna AB**, SE-561 82 Huskvarna, Švédsko, tel:  
+46-36-146500, prohlašuje, že **sekačka na trávu**  
**Husqvarna LB 548i, LC 551iV** vyrobená v roce 2019  
a později splňuje požadavky SMĚRNICE RADY:

- z 8. června 2011 o „omezení používání některých nebezpečných látek“ **2011/65/EU**
- ze 17. května 2006 „týkající se strojních zařízení“ **2006/42/EC**
- z 26. února 2014 „týkající se elektromagnetické kompatibility“ **2014/30/EU**,
- z 8. května 2000 „týkající se emisí hluku v okolním prostředí“ **2000/14/ES**.

Informace o emisích hluku najdete v kapitole "Technické údaje".

Byly uplatněny následující standardní normy:

**IEC 60335-1:2010, IEC 60335-2-77:2002, EN 60335-1:2012, EN 60335-2-77:2010 EN/IEC 62233:2008 EN 61000-6-3:2005 EN 61000-6-1:2005**

Není-li uvedeno jinak, platí výše uvedené normy v poslední vydané verzi.

Ohlašovací úřad: **0404, RISE SMP Svensk Maskinprovning AB, Box 7035, SE-750 07 Uppsala** provedl vyhodnocení shody podle dodatku VI ke Směrnici 2000/14/EC a vydal certifikát s číslem:01/901/324 (LB 548i), 01/901/323 (LC 551iV)

Huskvarna, 2020-01-20



Claes Losdal, Development Manager/Garden Products (ředitel vývoje zahradního sortimentu) (Autorizovaný zástupce společnosti Husqvarna AB a osoba odpovědná za technickou dokumentaci.)

---

## Indhold

---

Indledning.....	72	Fejlfinding.....	86
Sikkerhed.....	74	Transport, opbevaring og bortskaffelse.....	87
Montering.....	81	Tekniske data.....	88
Drift.....	82	EU-overensstemmelseserklæring.....	90
Vedligeholdelse.....	85		

---

## Indledning

---

### Produktbeskrivelse

Produktet er en roterende plæneklipper med gående fører. Modellen LB 548i bruger BioClip til at klippe græsset til gødning.

Modellen LC 551iV opsamlers græsset i en græsopsamler. Fjern græsopsamleren for at få

bagudkast af græsset. Monter et bioklipsæt (ekstraudstyr), og klip græsset til gødning.

### Anvendelsesformål

Brug produktet til græsklipning i private haver. Brug ikke produktet til andre opgaver.

### Produktoversigt

(Fig. 1)

1. Betjeningspanel
2. Motorbremsehåndtag
3. Startspærre
4. Græsopsamler (LC 551iV)
5. Bageste dæksel (LC 551iV)
6. Sikkerhedsnøgle
7. Reguleringshåndgreb (LC 551iV)
8. Håndtagsjusteringsarm (LB 548i)
9. Batteridæksel
10. Klippehøjdejustering (LC 551iV)
11. ON/OFF-knap
12. SavE-knap
13. Indikator for SavE
14. Batteriindikator
15. Hastighedsniveauindikator
16. Hastighedsreduktionsknap
17. Hastighedsforøgelsesknap
18. Fejl-LED
19. Klippeskjold
20. Luftindtag
21. Typeskilt
22. Bøjle til fremtræk (LC 551iV)
23. Batterioplader (tilbehør)
24. Batteri (tilbehør)
25. Multibatteri (tilbehør)
26. Adapterplade (tilbehør)
27. Adapter til multibatteri (tilbehør)
28. Brugervejledning

### Symboler på produktet

(Fig. 2)

**ADVARSEL:** Dette produkt kan være farligt og forårsage alvorlig personskade eller død for brugeren eller andre. Vær forsigtig, og brug produktet korrekt.

(Fig. 3)

Læs brugsanvisningen, og sørg for at have forstået indholdet, inden du bruger dette produkt.

(Fig. 4)

Hold uvedkommende personer og dyr på sikker afstand af arbejdsstedet.

(Fig. 5)

Pas på udslyngede genstande og rikochettering.

(Fig. 6) Advarsel: Hold hænder og fødder på sikker afstand af den roterende klinge.

(Fig. 7) Advarsel: Hold hænder og fødder på sikker afstand af bevægelige dele.

(Fig. 8) Fjern sikkerhedsnøglen, inden du udfører reparationsarbejde eller vedligeholdelse.

(Fig. 9) **Miljømærke.** Produktet og produktemballagen er ikke almindeligt husholdningsaffald. Aflever det på en godkendt genbrugsstation til elektrisk og elektronisk udstyr.

(Fig. 10) Produktet er i overensstemmelse med de gældende EF-direktiver.

(Fig. 11) Produktet er i overensstemmelse med de gældende Eurasian Customs Union-direktiver.

(Fig. 12) Produktet er i overensstemmelse med de gældende UkrSEPRO-direktiver.

(Fig. 13) Produktet er i overensstemmelse med

de gældende RCM-direktiver. Gælder kun i AU/NZ

(Fig. 14) Emission af støj til omgivelserne er i overensstemmelse med gældende EU-direktiver. Emission af støj fra produktet er angivet i *Tekniske data på side 88* og på mærkatet.

**IPX4** Beskyttet mod stænkvand.  
**IPX4**

(Fig. 19) Startprocedure: Tryk på ON/OFF-knappen, løs startspærren, tryk motorbremsehåndtaget ned.

(Fig. 15) Slip motorbremsehåndtaget for at stoppe.

(Fig. 16) Langsomt

(Fig. 17) Hurtigt

(Fig. 18) Kode, der kan scannes

---

**Bemærk:** Andre symboler/mærkater på produktet henviser til certificeringskrav på visse markeder.

---

## Mærkat på produktet

(Fig. 20)

Hold hænder og fødder på sikker afstand af de roterende klinger.

## Produktansvar

Som nævnt i produktansvarsbestemmelserne hæfter vi ikke for skader forårsaget af vores produkt, hvis:

- produktet er forkert repareret.
- produktet er repareret med dele, der ikke er fra producenten eller ikke er godkendt af producenten
- produktet har tilhør, der ikke er fra producenten eller ikke er godkendt af producenten.

- produktet ikke er repareret på et godkendt servicecenter eller af en godkendt myndighed.

---

## Sikkerhed

---

### Sikkerhedsdefinitioner

Advarsler, forholdsregler og bemærkninger bruges til at pege på særligt vigtige dele af brugsanvisningen.



**ADVARSEL:** Bruges, hvis føreren udsætter sig selv eller omkringstående personer for risiko for personskade eller dødsfald ved tilsidesættelse af instruktionerne i brugsanvisningen.



**BEMÆRK:** Bruges, hvis der er risiko for skader på produktet, andre materialer eller det omgivende område ved tilsidesættelse af instruktionerne i brugsanvisningen.

**Bemærk:** Bruges til at give yderligere oplysninger, der er nødvendige i en given situation.

### Generelle sikkerhedsinstruktioner

---



**ADVARSEL:** Læs følgende advarselsinstruktioner, inden du bruger produktet.

- Dette produkt er farligt, hvis det bruges forkert, eller hvis du ikke er forsigtig. Personskade eller dødsfald kan forekomme, hvis du ikke overholder sikkerhedsinstruktionerne.
- Dette produkt danner et elektromagnetisk felt under drift. Dette felt kan i nogle tilfælde påvirke aktive eller passive medicinske implantater. For at reducere risikoen for alvorlige eller dødbringende kvæstelser anbefaler vi, at personer med medicinske implantater kontakter deres læge og producenten af det medicinske implantat, før de tager produktet i brug.
- Vær altid forsigtig, og brug din sunde fornuft. Hvis du ikke er sikker på, hvordan produktet

betjenes en særlig situation:  
Stop, og kontakt Husqvarna  
forhandleren, inden du  
fortsætter.

- Vær opmærksom på, at føreren er ansvarlig for ulykker, der involverer andre personer eller disses ejendom.
- Hold produktet rent. Sørg for, at skilte og mærkater er tydeligt læsbare.
- Lad aldrig børn eller personer, der ikke kender apparatet, bruge det. Der kan være lokale regler, for hvor gammel brugeren skal være
- Hold altid øje med personer med nedsat fysisk eller mental kapacitet, der bruger produktet. En voksen skal være til stede hele tiden.
- Brug ikke produktet, hvis du er træt, syg eller påvirket af alkohol, narkotika eller medicin. Det har en negativ virkning på synet, overblikket, koordinationsevnen og dømmekraften.
- Brug ikke produktet, hvis det er fejlbehæftet.
- Foretag ikke ændringer på produktet, og undlad af bruge det, hvis der er risiko for, at det er blevet ændret af andre.

## Sikkerhed i arbejdsområdet

---



**ADVARSEL:** Læs følgende advarselsinstruktioner, inden du bruger produktet.

---

- Fjern genstande såsom grene, kviste og sten fra arbejdsområdet, inden du bruger produktet.
- Genstande, som rammer skæreudstyret, kan udslynges og forårsage person- og tingskade. Hold omkringstående personer og dyr på sikker afstand af produktet.
- Undlad at bruge produktet i dårligt vejr, som f.eks. tåge, regn, hård vind, kraftig kulde og ved risiko for lynnedslag. Det kan være trættende at bruge produktet i dårligt vejr eller i fugtige eller våde områder. Dårligt vejr kan medføre farlige forhold, f.eks. glatte underlag.
- Pas på personer, genstande og situationer, som kan forhindre sikker brug af produktet.
- Pas på forhindringer som f.eks. rødder, sten, kviste,

- huller og grøfter. Langt græs kan skjule hindringer.
- Det kan være farligt at klippe græs på skråninger. Slå ikke græsset på meget stejle skråninger. Brug ikke produktet på skråninger, der hælder mere end 15°.
  - Udvis den yderste forsigtighed ved ændring af retning på skråninger. Lad produktet køre på tværs af skråninger. Kørl ikke op og ned.
  - Vær forsigtig, når du nærmer dig uoverskuelige hjørner og genstande, som blokerer for udsynet.

## Arbejdssikkerhed



**ADVARSEL:** Læs følgende advarselsinstruktioner, inden du bruger produktet.

- Brug kun produktet til græsslåning. Det er ikke tilladt at bruge det til andre opgaver.
- Bær personligt beskyttelsesudstyr. Se *Personligt beskyttelsesudstyr på side 77*.
- Sørg for, at du ved, hvordan du standser motoren hurtigt i nødstilfælde.

- Betjen ikke produktet i regn eller våde omgivelser. Risikoen for elektriske stød øges, hvis der trænger vand ind i produktet.
- Betjen ikke produktet, medmindre klingens og alle afskærmninger er monteret korrekt. En forkert monteret klinge kan løsne sig og forårsage personskade.
- Sørg for, at klingens ikke rammer genstande som f.eks. sten og rødder. Det kan beskadige klingens og bøje motoraksel. En bøjet aksel giver kraftige vibrationer og stor risiko for, at kniven løsner sig.
- Hvis kniven rammer en genstand, eller der opstår vibrationer, skal du straks standse produktet. Stand motoren, træk sikkerhedsnøglen op, og fjern batteriet. Undersøg, om produktet er blevet beskadiget. Reparer skader, eller lad et autoriseret serviceværksted udføre reparationen.
- Fastgør aldrig motorbremsehåndtaget permanent på styret, når motoren er startet.
- Anbring produktet på et stabilt, fladt underlag, og start det.



Sørg for, at kniven ikke rammer jorden eller andre genstande.

- Hold dig altid bag produktet, mens du betjener det.
- Lad alle hjulene blive på jorden, og hold 2 hænder på styret, når du betjener produktet. Hold hænder og fødder på sikker afstand af de roterende klinger.
- Tip ikke produktet, når motoren er startet.
- Vær forsigtig, når du trækker produktet baglæns.
- Løft aldrig produktet, når motoren er startet. Hvis du skal løfte produktet, skal du først standse motoren, trække sikkerhedsnøglen op og afmontere batteriet.
- Gå ikke baglæns, når du bruger produktet.
- Stands motoren, når du bevæger dig hen over områder uden græs, f.eks. stier med grus, sten og asfalt.
- Undlad at køre med produktet, når motoren er startet. Gå altid fremad, når du bruger produktet.
- Stands motoren, inden du ændrer klippehøjden. Foretag aldrig justeringer, når motoren er startet.

- Efterlad aldrig produktet uden opsyn, når motoren er startet. Stands motoren, og sørg for, at skæreudstyret ikke roterer.

#### Sikkerhedsinstruktioner for drift

### Personligt beskyttelsesudstyr

---



**ADVARSEL:** Læs

følgende

advarselsinstruktioner, inden du bruger produktet.

---

- Personligt beskyttelsesudstyr udelukker ikke fuldstændigt risikoen for personskader, men det mindsker graden af skaderne i tilfælde af, at der skulle ske en ulykke. Lad forhandleren hjælpe dig med at vælge det rigtige udstyr.
- Brug kraftige, skridsikre støvler eller sko. Brug ikke åbne sko, og gå heller ikke på bare fødder.
- Brug kraftige, lange bukser.
- Brug om nødvendigt beskytteshandsker, f.eks. ved montering, eftersyn eller rengøring af skæreudstyret.

### Sikkerhedsanordninger på produktet

---



**ADVARSEL:** Læs

følgende

advarselsinstruktioner, inden du bruger produktet.

---

- Brug ikke et produkt med defekte sikkerhedsanordninger.
- Kontrollér sikkerhedsanordningerne regelmæssigt. Hvis sikkerhedsanordningerne er defekte, skal du henvende dig til dit Husqvarna-serviceværksted.

### **Sådan kontrolleres klippeskjoldet**

Klippeskjoldet mindsker vibrationer i produktet og reducerer risikoen for skader fra klingens.

- Undersøg klippeskjoldet for at sikre, at der ikke er skader såsom revner.

### **Sikkerhedsnøgle**

Sikkerhedsnøglen er under batterilåget. Sikkerhedsnøglen forbinder det batteri, der forsyner motoren med strøm.

### **Sådan kontrolleres sikkerhedsnøglen**

Sikkerhedsnøglen forbinder det batteri, der forsyner motoren med strøm.

- Start og stands motoren. Hvis sikkerhedsnøglen fungerer korrekt, kan motoren kun starte, når nøglen er i sikkerhedslåsen.

### **Motorbremsehåndtag**

Motorbremsehåndtaget standser motoren. Når motorbremsehåndtaget slippes, standser motoren.

Ved kontrol af motorbremsen startes motoren, hvorefter motorbremsehåndtaget slippes. Hvis motoren ikke standser inden for 3 sekunder, skal et godkendt Husqvarna-serviceværksted justere motorbremsen.

(Fig. 21)

### **Sådan efterses startspærren**

Efterse startspærren for at sikre, at den forhindrer drift af motoren.

1. Skub bøjlen til fremtrækket i retning mod styret. Startspærren standser bevægelsen.
2. Skub startspærren ud. (Fig. 22)
3. Slip startspærren, og sørg for, at den returnerer til udgangspositionen.

## Batterisikkerhed

---



**ADVARSEL:** Læs følgende advarselsinstruktioner, inden du bruger produktet.

---

- Brug kun genopladelige Husqvarna-batterier som strømforsyning til relaterede Husqvarna-produkter. For at undgå personskade, må batteriet ikke anvendes som strømforsyning til andre produkter.
- Undgå at bruge ikke-genopladelige batterier.
- Risiko for elektrisk stød. Tilslut ikke batteripolerne til nøgler, mønter, skruer eller andre metalgenstande. Dette kan medføre en kortslutning af batteriet.
- Sæt ikke genstande ind i batteriets luftspalte.
- Hold batteriet væk fra sollys, varme og åben ild. Batteriet kan eksplodere og medføre forbrændinger og/eller kemiske forbrændinger.
- Hold batteriet væk fra regn og våde omgivelser.
- Hold batteriet væk fra mikrobølger og højt tryk.
- Forsøg ikke at skille batteriet ad eller ødelægge det.
- Hvis batteriet lækker, skal du sørge for, at væsken ikke kommer i kontakt med hud eller øjne. Ved berøring af væsken skal området skylles med en stor mængde vand, og opsøg derefter lægehjælp.
- Brug batteriet i temperaturer mellem  $-10^{\circ}\text{C}$  og  $40^{\circ}\text{C}$ .
- Batteriet eller batteriopladeren må aldrig rengøres med vand. *Se Sådan rengøres batteriet og batteriopladeren på side 86.*
- Brug ikke et defekt eller beskadiget batteri.
- Opbevar batterierne væk fra metalgenstande som f.eks. søm, mønter og smykker.

## Batteriopladersikkerhed

---



**ADVARSEL:** Læs følgende advarselsinstruktioner, inden du bruger produktet.

---

- Brug udelukkende QC-batteriopladerne til at oplade udskiftelige Husqvarna-batterier.
- Minimér risikoen for elektrisk stød eller kortslutning. Sæt ikke genstande ind i

- opladerens luftspalte. Forsøg aldrig at adskille batteriopladeren. Forbind ikke batteriopladerens poler med metalgenstande. Brug en godkendt stikkontakt.
- Dette produkt danner et elektromagnetisk felt under drift. Dette felt kan i nogle tilfælde påvirke aktive eller passive medicinske implantater. For at reducere risikoen for alvorlige eller dødbringende kvæstelser anbefaler vi, at personer med medicinske implantater kontakter deres læge og producenten af det medicinske implantat, før de tager produktet i brug.
  - Undersøg regelmæssigt, at ledningen til batteriopladeren er intakt, og at der ikke er revner i den.
  - Løft aldrig batteriopladeren ved hjælp af ledningen. Træk stikket ud for at afbryde batteriopladeren fra stikkontakten. Træk ikke i ledningen.
  - Hold strømledningen og forlængerledninger væk fra vand, olie og skarpe kanter. Sørg for, at ledningen ikke bliver klemt i døre, hegn eller lignende. Det kan medføre, at opladeren bliver strømførende.
  - Batteriopladeren må aldrig rengøres med vand.
  - Batteriopladeren kan bruges af børn fra 8 år og opad samt af personer med nedsatte fysiske, følelsesmæssige eller mentale evner eller manglede erfaring og viden, hvis de er under opsyn eller har modtaget træning i brugen af batteriopladeren på en sikker måde og forstår farerne, der er forbundet med brugen. Børn må ikke lege med batteriopladeren. Rengøring og vedligeholdelse må ikke udføres af børn uden overvågning.
  - Ikke-genopladelige batterier må ikke oplades i batteriopladeren.
  - Brug ikke batteriopladeren i nærheden af brandfarlige materialer eller materialer, der kan medføre korrosion. Batteriopladeren må ikke tildækkes. I tilfælde af røgafgivelse eller brand skal batteriopladeren afbrydes fra stikkontakten.
  - Brug ikke defekte eller beskadigede batteriopladere.
  - Oplad kun batteriet indendørs i et rum med god ventilation og beskyttet mod direkte sollys.

Oplad ikke batteriet under våde forhold.

## Sikkerhedsinstruktioner for vedligeholdelse



**ADVARSEL:** Læs følgende advarselsinstruktioner, inden du bruger produktet.

- Tag sikkerhedsnøglen ud, før der foretages vedligeholdelse af produktet.
- Udfør vedligeholdelsesarbejde korrekt for at øge levetiden for produktet og mindske risikoen for ulykker. Lad et godkendt serviceværksted udføre professionelle reparationer. Kontakt dit nærmeste serviceværksted for at få flere oplysninger.
- Foretag kun den form for vedligeholdelsesarbejde, der er angivet i denne brugsanvisning.
- Ifør dig kraftige handsker, når du anvender skæreudstyret. Klingen er meget skarp, og du kan nemt komme til at skære dig.
- Hold klingerne skarpe og rene for at sikre den bedst mulige ydeevne.
- Lad jævnligt serviceværkstedet efterse produktet og foretage de nødvendige justeringer og reparationer.
- Udskift beskadigede, slidte eller defekte dele.
- Følg vejledningen for, hvordan du udskifter tilbehør. Brug kun tilbehør fra producenten.
- Når de ikke er i drift, skal du holde produktet, batteriet og batteriopladeren adskilt et tørt, indendørs og aflåst sted. Sørg for, at børn og personer, som ikke er godkendt, ikke kan få adgang til produktet, batteriet eller batteriopladeren.

## Montering

### Indledning



**ADVARSEL:** Læs og forstå kapitlet om sikkerhed, før du monterer produktet.

### Sådan monteres og afmonteres multibatteriet (tilbehør)

1. Fjern de 4 gummidæksler og de 4 skruer fra motordækslet. (Fig. 23)
2. Anbring adapterpladen på motordækslet.
3. Fastgør adapterpladen med de 4 medfølgende skruer, der fastspændes til et moment på 5-6 Nm. (Fig. 24)
4. Åbn batteridækslet.
5. Afmonter batteriet i batterirum 1. (Fig. 25)
6. Fjern seglstoppet. (Fig. 26)
7. Skub batteriadapteren ind i batterirummet, indtil du hører et klik. (Fig. 27)

8. Før batteriadapterens ledning gennem seglstoppets hul. Fastgør ledningen med clipsen. (Fig. 28)
9. Monter multibatteriet på batteriadapteren.
10. Tilslut multibatteriet til batteriadapteren. (Fig. 29)
11. Fastgør batteriadapterens ledning til styret med de 3 stofstroppe. (Fig. 30)
12. Afmonter multibatteriet i modsat rækkefølge.



**ADVARSEL:** Fastgør ikke ledning for løst til styret. Ledningen kan falde af styret og forårsage skade.

## Sådan samles håndtaget (LC 551iV)

1. Løsn de nederste skruéhåndtag.
2. Flyt grebene til den nederste ende af rillerne på venstre og højre side af produktet. (Fig. 31)
3. Sæt håndtagets højde i en af de 2 mulige stillinger.
4. Flyt grebene op i retning af håndtaget, indtil de stopper, og der høres et klik. (Fig. 32)
5. Spænd skruéhåndtagene hårdt.

## Sådan samles håndtaget (LB 548i)

1. Fjern håndtagsmøtrikken og skiven fra pladen på det øverste håndtag.
2. Sæt det øvre håndtag på plads oven på det nederste håndtag.



**BEMÆRK:** Sørg for, at kablerne ikke kommer i klemme eller bliver beskadiget.

3. Fastgør skiven og styrets justeringsarm. (Fig. 33)
4. Drej håndtaget til side for at få en god betjeningsposition, når du bruger produktet i nærheden af en væg. (Fig. 34)

## Sådan samles græsopsamleren (LC 551iV)

1. Fastgør græsopsamlerens ramme til græsposen med den afstivede del af posen nederst. Hold håndtaget på rammen oven på græsposen. (Fig. 35)
2. Fastgør den nederste del af græsopsamlerens ramme i sporet i bunden af græsopsamleren.
3. Fastgør græsposen til græsopsamlerens ramme med clipsene. (Fig. 36)
4. Løft det bageste dæksel.
5. Fastgør græsopsamleren på chassissets øverste kant.
6. Sæt græsopsamlerens nederste del i græsudkastkanalen. (Fig. 37)

## Sådan samles bioklipproppen (LC 551iV-tilbehør)

1. Løft det bageste dæksel, og fjern græsopsamleren.
2. Sæt bioklipproppen i udkastkanalen. (Fig. 38)
3. Udskift klingens med findelingsklingen, der leveres med findelings sættet. Se *Sådan udskiftes klingens på side 85*.

## Drift

### Indledning



**ADVARSEL:** Før du bruger produktet, skal du læse og forstå kapitlet om sikkerhed.

### Husqvarna Connect

Husqvarna Connect er en gratis app til din mobile enhed. Appen Husqvarna Connect giver udvidede funktioner til dit Husqvarna produkt:

- Yderligere produktoplysninger.
- Oplysninger om, og hjælp til, dele og service.

### Sådan kommer du i gang med at bruge Husqvarna Connect

1. Download Husqvarna Connect appen på din mobile enhed.
2. Tilmeld dig i Husqvarna Connect appen.
3. Følg instruktionerne i Husqvarna Connect appen for at tilslutte og registrere produktet.

### Husqvarna Fleet Services™

Husqvarna Fleet Services™ er en cloudløsning, der giver administratoren af den kommercielle flåde en oversigt over alle produkterne. Husqvarna Fleet Services™ er inkluderet for LC 551iV. Se [www.husqvarna.com](http://www.husqvarna.com) for at få flere oplysninger om Husqvarna Fleet Services™.

### Sådan klargøres sensoren (tilbehør)

1. Brug sensornøglen til at åbne dækslet på sensoren. (Fig. 39)
2. Afmonter sensoren.
3. Tilslut batteriet til sensoren. LED-lyset på sensoren tændes. (Fig. 40)
4. Download Husqvarna Fleet Services™ -appen.
5. Log på Husqvarna Fleet Services™ -appen.
6. Foretag en parring af produkterne. Se *Sådan parres appen og produktet på side 83*

## Sådan parres appen og produktet

1. Log på Husqvarna Fleet Services™ -appen.
2. Vælg dit produkt i appen.
3. Scan koden bag sensoren med din mobilenhed for at installere sensoren i appen.

**Bemærk:** Det er kun nødvendigt at foretage en parring mellem appen og produktet én gang.

## Sådan monteres sensoren

1. Sørg for, at sensoren har forbindelse til Husqvarna Fleet Services™ -appen. Se *Sådan parres appen og produktet på side 83*.
2. Bor 2 huller ved mærkerne i kabinetåbningen. (Fig. 41)

**Bemærk:** Sørg for, at hullerne har samme dimension som de nitter, der leveres sammen med sensoren.

3. Brug en tang til at fjerne tapperne med huller i sensoråbningen. (Fig. 42)
4. Bor 2 huller ved mærkerne i sensoråbningen. (Fig. 43)
5. Juster sensoråbningen ift. kabinetåbningen. (Fig. 44)
6. Fastgør sensoråbningen med nitterne.
7. Monter sensoren i sensoråbningen. Juster den hvide markering på sensoren med mærket på sensorens åbning. (Fig. 45)
8. Luk låget til sensoren, og lås den fast med sensornøglen. Sørg for, at den øverste del af "H" i Husqvarna peger væk fra sikkerhedsnøglen. (Fig. 46)

## Sådan sættes produktet i driftsstilling (LC 551iV)

1. Løft håndtaget til opretstående stilling. (Fig. 47)
2. Flyt grebene op i retning af håndtaget, indtil de stopper, og der høres et klik. (Fig. 32)
3. Spænd skruerhåndtagene hårdt.

## Sådan indstilles klippehøjden

Klippehøjden kan justeres i 6 niveauer.

1. Tryk klippehøjdejusteringen i retning af hjulet, og træk derefter bagud for at øge klippehøjden.
2. Tryk klippehøjdejusteringen i retning af hjulet, og træk derefter fremad for at reducere klippehøjden. (Fig. 48)



**BEMÆRK:** Indstil ikke klippehøjden for lavt. Knivene kan ramme jorden, hvis græsplænenes overflade ikke er jævn.

## Batteri



**ADVARSEL:** Inden brug af produktet skal du læse og sætte dig ind i kapitlet om sikkerhed. Du skal også læse og sætte dig ind i brugsanvisningen for batteriet og batteriopladeren.

## Batteristatus

Displayet viser batteriets resterende batterikapacitet, og om der er problemer med batteriet. Batterikapaciteten vises i 5 sekunder, efter at produktet er slukket, eller batteriindikatorknappen er trykket ned. Advarselssymbolet på batteriet er tændt, når der er sket en fejl. Se *Batteri på side 86*.

(Fig. 49)

LED-lys	Batteristatus
Alle LED'er er tændt	Fuldt opladet (75-100 %)
LED 1, LED 2 og LED 3 er tændt	Batteriet er opladet 50-75 %
LED 1 og LED 2 er tændt	Batteriet er opladet 25-50 %
LED 1 er tændt	Batteriet er opladet 0-25 %.
LED 1 blinker	Batteriet er afladet. Oplad batteriet.

## Sådan oplades batteriet

Oplad batteriet, inden første ibrugtagning. Batteriet er kun 30 % opladet, når det leveres til kunden.

**Bemærk:** Batteriopladeren skal tilsluttes til den spænding og frekvens, der fremgår af typeskiltet.

Batteriet oplades ikke, hvis batteriets temperatur er over 50 °C. Batteriopladeren sænker batteriets temperatur, før det begynder at oplade.

1. Forbind den ene ende af ledningen til batteriopladeren til stikket på batteriopladeren.
2. Forbind den anden ende af ledningen til batteriopladeren til en jordet stikkontakt. LED'en på batteriopladeren blinker grønt én gang. (Fig. 50)
3. Isæt batteriet i batteriopladeren. Den grønne lampe på opladeren lyser, når batteriet er korrekt forbundet med batteriopladeren. (Fig. 51)
4. Når alle LED'erne på batteriet er tændt, er batteriet fuldt opladet. Oplad batteriet i maks. 24 timer.
5. For at afbryde batteriopladeren fra stikkontakten, skal du trække i stikket, ikke i ledningen.
6. Fjern batteriet fra batteriopladeren.

## Batteriets ladestatus

Et Husqvarna-li-ion-batteri kan oplades eller bruges på alle opladningsniveauer. Batteriet er ikke beskadedet. Et fuldt opladet batteri vil ikke aflades, når batteriet efterlades i opladeren.

LED-display	Ladestatus
LED 1 blinker	0 %-25 %
LED 1 er tændt, LED 2 blinker	25 %-50 %
LED 1, LED 2 er tændt, LED 3 blinker	50 %-75 %
LED 1, LED 2, LED 3 er tændt, LED 4 blinker	75 %-100 %
LED 1, LED 2, LED 3, LED 4 er tændt	Fuldt opladet

## Sådan oplades multibatteriet

**Bemærk:** Oplad batteriet, hvis det er første gang, du bruger det. Et nyt batteri er kun 30 % opladet.

1. Kontroller, at batteriet er tørt.
2. Tilslut multibatteriet til adapteren. (Fig. 52)
3. Sæt adapteren i batteriopladeren.
4. Kontrollér, at den grønne LED-indikator på batteriopladeren tændes. Det betyder, at adapteren og multibatteriet er tilsluttet korrekt. (Fig. 53)
5. Når alle LED'erne på batteriet tændes, og adapteren viser 100%, er batteriet fuldt opladet. (Fig. 54)  
Adapteren viser opladningsstatus i trin a 1%. Små afvigelse kan forekomme i starten af opladningen.
6. Træk stikket ud for at afbryde batteriopladeren fra stikkontakten. Træk ikke i ledningen.
7. Fjern adapteren fra batteriopladeren.
8. Fjern multibatteriet fra adapteren.

**Bemærk:** Der henvises til manualerne til multibatteriet og batteriopladeren for yderligere oplysninger.

## Sådan startes produktet

1. Løft batterilåget.
2. Isæt et opladet batteri i batterirum nummer 1 under batterilåget. For længere driftstid, skal du isætte et andet opladet batteri i batterirum nummer 2.
3. Tag sikkerhedsnøglen ud af sikkerhedsnøgلهolderen.
4. Skub sikkerhedsnøglen ind i sikkerhedslåsen. (Fig. 55)
5. Stil dig bag produktet.

6. Skub ON/OFF-knappen på kontrolpanelet. Displayet tændes.
7. Løsn startspærren. (Fig. 22)
8. Skub bøjlen til fremtrækket i retning mod styret. (Fig. 56)

## Sådan bruges hjulenes fremtræk (LC 551iV)

- Træk bøjlen til fremtrækket i retning af styret for at starte drevet. (Fig. 57)
- Tryk på + og - på betjeningspanelet for at indstille kørehastigheden i 4 trin. (Fig. 58)
- Slip bøjlen til fremtrækket for at frakoble det, f.eks. når du nærmer dig en forhindring.

## Sådan bruges SavE-funktionen

Produktet har en batterisparefunktion (SavE), der giver længere driftstid.

1. Tryk på SavE-knappen (A) for at aktivere funktionen. SavE-symbolet (B) på displayet tændes.
2. Tryk på SavE-knappen igen for at standse funktionen. SavE-symbolet (B) på displayet slukkes. (Fig. 59)

SavE-funktionen standser automatisk, hvis terrænforholdene gør det nødvendigt at have en højere effekt. SavE-funktionen starter automatisk igen, når terrænforholdene gør det muligt.

## PowerBoost-funktion

Når produktet klipper langt eller vådt græs, øger motoren automatisk o/min. For at spare batterilevetid vender motoren automatisk tilbage til standardtilstand, når PowerBoost-funktionen ikke er nødvendig.

## Sådan standses produktet

Produktet standser automatisk, hvis du ikke betjener det i 3 minutter.

1. Slip motorbremsehåndtaget for at standse motoren. (Fig. 21)
2. Skub ON/OFF-knappen på kontrolpanelet. Alle LED-lygter og symboler på displayet slukkes. (Fig. 60)
3. Fjern sikkerhedsnøglen fra sikkerhedslåsen, og læg den tilbage i holderen.

## Sådan opnår du et godt resultat

- Sørg altid for, at klingens skarp. En sløv klinge giver et uregelmæssigt resultat, og græssets snitflade bliver gul. En skarp klinge bruger desuden mindre energi end en sløv klinge.
- Klip aldrig mere end 1/3 af græssets længde. Klip først med klippehøjden indstillet højt. Efterse resultatet, og sænk derefter klippehøjden til det ønskede niveau. Hvis græsset er meget højt, skal du køre langsomt og om nødvendigt klippe 2 gange.



- Klip i forskellige retninger hver gang for at undgå striber i græsplænen.

## Sådan klippes græs uden en monteret græsopsamler eller bioklipprop (LC 5511V)

1. Løft det bageste dæksel, og fjern græsopsamleren.

2. Hvis der er monteret en bioklipprop og en findelingsklinge, skal de fjernes.
3. Luk det bageste dæksel, før du betjener produktet.

Når du betjener produktet, udcastes det afskårne græs under det bageste dæksel.

## Vedligeholdelse

### Indledning



**ADVARSEL:** Inden der foretages vedligeholdelse, skal du læse og forstå kapitlet om sikkerhed.

Alt service- og reparationsarbejde på produktet kræver specialuddannelse. Vi garanterer faglig korrekt reparation og service. Hvis forhandleren ikke er et serviceværksted, kan vedkommende oplyse om nærmeste serviceværksted.

### Vedligeholdelsesskema

Vedligeholdelsesintervallerne er fastlagt baseret på daglig brug af produktet. Intervallerne ændres, hvis produktet ikke bruges dagligt.

For vedligeholdelse identificeret med \* henvises til *Sikkerhedsinstruktioner for drift på side 77*.

	Hver brug	Månedligt	Hver sæson
Foretag et generelt eftersyn	X		
Rengør gearkassedækslerne. Sørg for, at der ikke er græs på motoren	X		
Kontrollér startspærren *	X		
Sørg for, at sikkerhedsanordningerne på produktet ikke er defekte *	X		
Kontrollér græsopsamleren for slitage og effektivitetsforringelse	X		
Efterse skæreudstyret	X		
Efterse klippeskjoldet *	X		
Kontrollér motorbremsehåndtaget *	X		
Sørg for, at ON/OFF-knappen fungerer korrekt og ikke er defekt	X		
Efterse batteriet for skader	X		
Kontrollér batteriopladeren	X		
Sørg for, at udløserknapperne på batteriet fungerer korrekt, og at batteriet låses på plads i produktet	X		
Rengør luftindtagene. Kontrollér, at luftindtagene ikke er dækket af græs og skidt	X		
Efterse batteriopladeren for skader, og sørg for, at den fungerer korrekt		X	
Efterse forbindelserne mellem batteriet og produktet. Efterse også forbindelsen mellem batteriet og batteriopladeren			X

### Sådan udføres et generelt eftersyn

- Sørg for, at møtrikker og skruer på produktet er spændt.

- Sørg for, at ledningerne på produktet ikke er placeret på en måde, så de kan blive beskadiget.

### Sådan udskiftes klingens

1. Lås klingens med en trækloids. (Fig. 61)

2. Fjern klingebolten, fjederskiven og klingen. (Fig. 62)
3. Undersøg klingeophænget og klingebolten for skader.
  - a) Hvis du udskifter klingen eller klingeophænget, skal du også udskifte klingebolten, fjederskiven og friktionsskiven.
4. Efterse motorakslen for at sikre, at den ikke er bøjet.
5. Når du sætter den nye klinge på, skal du sørge for, at de bøjede ender peger i retning af klippeskjoldet. (Fig. 63)
6. Sæt friktionsskiven og klingen mod klingeophænget. (Fig. 64)
7. Sørg for, at klingen flugter med motorakslens centrum. (Fig. 65)
8. Lås klingen med en trækloids. (Fig. 66)
9. Monter fjederskiven, og spænd bolten med et tilspændingsmoment på 65-75 Nm. (Fig. 67)
10. Træk kniven rundt pr. håndkraft, og kontrollér, at den drejer frit.



**ADVARSEL:** Bær altid beskyttelseshandsker. Klingen er meget skarp, og du kan nemt komme til at skære dig.

11. Start produktet for at afprøve klingen. Hvis skiven ikke er korrekt fastgjort, forekommer der vibrationer i produkt, eller klipperesultatet bliver utilfredsstillende.

## Sådan rengøres produktet

- Rengør plasticdele med en ren og tør klud.
- Brug ikke vand til rengøring af produktet. Vand kan trænge ind i batteriet eller motoren og forårsage kortslutning eller beskadigelse af produktet.
- Brug ikke en højtryksrenser til at rengøre produktet.
- Sprøjt aldrig vand direkte på motoren.
- Brug en børste til at fjerne blade, græs og snavs.

## Sådan rengøres batteriet og batteriopladeren



**BEMÆRK:** Batteriet eller batteriopladeren må aldrig rengøres med vand.

- Sørg for, at batteriet og opladeren er rene og tørre, før du sætter batteriet i batteriopladeren.
- Rengør batteriets poler med trykluft eller med en blød og tør klud.
- Rens overfladerne på batteriet og batteriopladeren med en blød og tør klud.

## Sådan efterses skæreudstyret



**ADVARSEL:** For at undgå utilsigtet start skal du trække sikkerhedsnøglen op, afmontere batteriet og vente i mindst 5 sekunder.



**ADVARSEL:** Brug handsker, når du udfører vedligeholdelse på skæreudstyret. Klingen er meget skarp, og du kan nemt komme til at skære dig.

1. Efterse skæreudstyret for skader eller revner. Udskift altid skæreudstyret, hvis det er beskadiget.
2. Kig på klingen for at se, om den er beskadiget eller sløv.

**Bemærk:** Kniven skal afbalanceres, efter den er blevet slebet. Lad et servicecenter skærpe, udskift og afbalancere klingen. Hvis du rammer en forhindring, der får produktet til at standse, udskiftes den beskadigede klinge. Lad servicecenteret vurdere, om klingens kan files, eller om den skal udskiftes.

## Fejlfinding

### Batteri

LED på batteriet	Mulige fejl	Mulig procedure
Den grønne LED blinker	Batterispændingen er lav	Oplad batteriet. Se <i>Sådan oplades batteriet på side 83</i> .
Fejl-LED'en blinker	Batteriet er svagt	Oplad batteriet. Se <i>Batteri på side 86</i> .
	Temperaturen i arbejdsmiljøet er for høj eller for lav	Brug batteriet i temperaturer mellem -10 °C og 40 °C.
	Overspænding	Kontrollér, at netspændingen er den samme som på typeskiltet på produktet.  Fjern batteriet fra batteriopladeren. Vent 5 sekunder, og prøv igen for at oplade batteriet. Hvis problemet fortsætter, skal du kontakte et autoriseret serviceværksted.

LED på batteriet	Mulige fejl	Mulig procedure
Fejl-LED'en er tændt	Celleforskel for stor (1 V)	Kontakt et godkendt serviceværksted.

## Batterioplader

LED på batteriopladeren.	Mulige fejl	Mulig procedure
Fejl-LED'en blinker	Temperaturen i arbejdsmiljøet er for høj eller for lav	Brug batteriopladeren i temperaturer mellem 5 °C og 40 °C.
Fejl-LED'en er tændt		Kontakt et godkendt serviceværksted

## Betjeningspanel

Fejlkode (antal blink)	Mulige fejl	Mulig procedure
1	Gearkassen er for varm.	Lad produktet køle ned. Sørg for, at der ikke er græs i gearkassen. Rengør gearkasse-dækslet, hvis det er nødvendigt.
5	Motoromdrejningstallet falder for meget, og motoren standser.	Rengør klippeskjoldet og øg klippehøjden. Se <i>Sådan indstilles klippehøjden på side 83</i> . Hvis problemet fortsætter, skal du kontakte dit godkendte serviceværksted.
8	Batteriet er svagt.	Oplad batteriet. Se <i>Sådan oplades batteriet på side 83</i> .
9	Batterifejl eller intet signal fra batteri.	Isæt batteriet korrekt i produktet, og efterse batteristikket. Hvis fejl-LED'en på batteriet blinker, se <i>Batteri på side 83</i> .
10	Kontrolenheden til motoren er for varm.	Stand motoreren, og vent, indtil den er blevet kold.
Andre fejl	Hvis der opstår andre fejl, skal du fjerne sikkerhedsnøglen og batteriet, og tale med et godkendt serviceværksted.	

## Transport, opbevaring og bortskaffelse

### Indledning



**ADVARSEL:** For at undgå utilsigtet start under transport skal du trække sikkerhedsnøglen op, fjerne batteriet og vente i mindst 5 sekunder.

### Sådan sættes produktet i transportposition (LC 551V)

- Løsn de nederste skruehåndtag.
- Flyt grebene til den nederste ende af rillerne på venstre og højre side af produktet. (Fig. 31)
- Fold håndtaget fremad. (Fig. 68)
- Fjern græsopsamleren.

### Transport

- Lovkravene om farligt gods gælder for de indeholdte li-ion-batterier.
- Ved kommerciel transport skal særlige krav vedrørende emballering og mærkning overholdes.
- Sørg for at overholde bestemmelserne for farligt materiale, når du klargør produktet til transport. Lokale bestemmelser kan være gældende.
- Fjern altid batteriet ved transport.
- Sæt tape på batteristikkene, og sørg for, at batteriet ikke kan rykke sig under transporten.
- Fastspænd produktet under transport.

### Opbevaring

- Fjern altid batteriet ved opbevaring.

- For at forhindre ulykker, skal du sørge for, at batteriet ikke er tilsluttet produktet under opbevaring.
- Opbevar batteriopladeren et lukket og tørt sted.
- Opbevar batteriet og batteriopladeren et tørt sted, hvor der ikke er fugt eller frost.
- Afbryd forbindelsen mellem batteriet og batteriopladeren under opbevaring.
- Batteriet må ikke opbevares, hvor der kan forekomme statisk elektricitet. Opbevar ikke batteriet i en metalkasse.
- Opbevar batteriet ved temperaturer mellem 5 °C og 25 °C og væk fra sollys.
- Opbevar batteriopladerne ved temperaturer mellem 5 °C og 45°C og væk fra sollys.
- Sørg for, at batteriet er ladet op til 30 % - 50 %, før du sætter det til opbevaring i længere tid.
- Opbevar produktet, batteriet og batteriopladeren et læst sted, der er utilgængeligt for børn og ikke-godkendte personer.

- Rengør produktet, og udfør fuld service, før du sætter produktet til opbevaring i længere tid.

## Bortskaffelse

Symbolerne på produktet eller emballagen angiver, at produktet ikke må behandles som almindeligt husholdningsaffald. Det skal afleveres til en passende genbrugsstation med henblik på genvinding af elektrisk og elektronisk udstyr.

Hvis du sørger for, at dette produkt håndteres korrekt, kan du være med til at modvirke potentielle negative indvirkninger på mennesker og miljø, som ellers kan være et resultat af fejlagtig affaldshåndtering i forbindelse med dette produkt. Nærmere oplysninger om genanvendelse af dette produkt fås hos kommunen, det lokale renovationselskab eller forretningen, hvor produktet er købt.

(Fig. 69)

## Tekniske data

### Tekniske data

	LB 548I	LC 551IV
<b>Klippemotor</b>		
Motorstype	BLDC (børsteløs) 36 V	BLDC (børsteløs) 36 V
Motoromdrejningstal - SavE, o/min*	2600	2600
Motoromdrejningstal - nominelt, o/min.*	3000	3000
Motoromdrejningstal - høj belastning, o/min.*	3300	3300
Motoreffekt - maks. kW	1,8	1,8
Motoreffekt - nominel, kW	1,5	1,5
<b>Køremotor</b>		
Motoreffekt - nominel, kW	N/A	0,3
Selvkørende hastighed, km/t	N/A	3,0-5,0
Justering af hastighedsniveauer	N/A	4
<b>Vægt</b>		
Vægt uden batteri, kg	31	41
<b>Batteri</b>		
Batteritype	Husqvarna Batteriserie	Husqvarna Batteriserie
<b>Batteriets driftstid</b>		
Batteriets driftstid, min. (friløb) med SavE aktiveret, med et 5,2 Ah Husqvarna-batteri (Bli200).	40	30
Batteriets driftstid, min. (friløb) med standardtilstand aktiveret, med et 5,2 Ah Husqvarna-batteri (Bli200).	30	20

	LB 548i	LC 551iV
<b>Støjmissioner</b> <sup>10</sup>		
Lydeffektniveau, målt dB (A)	93	97
Lydeffektniveau, garanteret L <sub>WA</sub> dB (A)	93	97
<b>Lydniveauer</b> <sup>11</sup>		
Lydtryksniveau ved brugerens øre, dB (A)	80	84
<b>Vibrationsniveauer</b> <sup>12</sup>		
Styr, m/s <sup>2</sup>	0,3	0,3
<b>Skæredstyr</b>		
Klippehøjde, mm	20-75	20-75
Klippebredde, cm	48	51
Klingestandard	Bioklipklinge 597466510	Opsamlingsklinge 597466310
Klingetilbehør	N/A	Bioklipklinge 597466410
Græsopsamlerens kapacitet, l	N/A	65

\* Omdrejninger pr. minut

Godkendte batterier	Type	Batterikapacitet, Ah	Spænding, V	Vægt, lb/kg
BLi20	Lithiumion	4,0	36	2.6/1.2
BLi200	Lithiumion	5,2	36	2.8/1.3
BLi300	Lithiumion	9,4	36	4,1/1,9
BLi550X	Lithiumion	15,6	36	12,4/5,6
BLi950X	Lithiumion	31,1	36	15,4/7,0

Godkendte opladere til de angivne batterier, BLi	Indgangsspænding, V	Frekvens, Hz	Effekt, watt
QC80	100-240	50-60	80
QC80F	12	0	80
QC330	100-240	50-60	330
QC500	100-240	50-60	500

<sup>10</sup> Emission af støj til omgivelserne målt som lydeffekt (L<sub>WA</sub>) i henhold til EF-direktiv 2000/14/EF.

<sup>11</sup> Rapporterede data for lydtrykniveau har en typisk statistisk spredning (standardafvigelse) på 1,2 dB (A).

<sup>12</sup> Rapporterede data for vibrationsniveau har en typisk statistisk spredning (standardafvigelse) på 0,2 m/s<sup>2</sup>. Vibrationstandard EN 60335-2-77:2017 kapitel 20.105

---

# EU-overensstemmelseserklæring

---

## EU-overensstemmelseserklæring

**Husqvarna AB**, SE-561 82 Huskvarna, Sverige, tlf.:  
+46-36-146500 erklærer, at **plæneklipperen Husqvarna  
LB 548i, LC 551iV** fra 2019 og fremefter overholder  
forskrifterne i RÅDETS DIREKTIV:

- af den 8. juni 2011 angående "begrænsning af  
anvendelsen af visse farlige stoffer" **2011/65/EU**
- af den 17. maj 2006 "angående maskiner"  
**2006/42/EF**
- af den 26. februar 2014 "angående elektromagnetisk  
kompatibilitet" **2014/30/EU**
- af den 8. maj 2000 "angående emission af støj til  
omgivelserne" **2000/14/EF**

Oplysninger om støjafgivelse findes i de tekniske  
specifikationer.

Der er anvendt følgende standarder:

**IEC 60335-1:2010, IEC 60335-2-77:2002, EN  
60335-1:2012, EN 60335-2-77:2010 EN/IEC  
62233:2008 EN 61000-6-3:2005 EN 61000-6-1:2005**

Hvis ikke andet er angivet, er de ovennævnte  
standarder de senest udgivne versioner.

Udpeget organ: **0404, RISE SMP Svensk  
Maskinprovning AB, Box 7035, SE-750 07 Uppsala** har  
gennemført overensstemmelsesvurdering i bilag VI til  
direktiv 2000/14/EF og udstedt en attest med  
nummer: 01/901/324 (LB 548i), 01/901/323 (LC 551iV)

Huskvarna, 2020-01-20



Claes Losdal, udviklingschef/haveprodukter (autoriseret  
repræsentant for Husqvarna AB og ansvarlig for teknisk  
dokumentation)

---

## Inhalt

---

<b>Einleitung</b> .....	91	<b>Fehlerbehebung</b> .....	108
<b>Sicherheit</b> .....	93	<b>Transport, Lagerung und Entsorgung</b> .....	109
<b>Montage</b> .....	102	<b>Technische Angaben</b> .....	110
<b>Betrieb</b> .....	103	<b>EG-Konformitätserklärung</b> .....	112
<b>Wartung</b> .....	106		

---

## Einleitung

---

### Gerätebeschreibung

Das Gerät ist ein handgeführter Rasenmäher. Das Modell LB 548i verfügt über BioClip, um das Gras zu Dünger zu schneiden.

Das Modell LC 551iV sammelt das Gras in einem Grasfänger. Entfernen Sie den Grasfänger, um an den Heckauswurf des Grasses zu gelangen. Befestigen Sie

ein Mulch-Kit (Zubehör), um das Gras in Dünger zu schneiden.

### Verwendungszweck

Verwenden Sie das Produkt, um Gras in privaten Gärten zu schneiden. Verwenden Sie das Gerät nicht für andere Aufgaben.

### Produktübersicht

(Abb. 1)

1. Bedienfeld
2. Motorbremsbügel
3. Startsperr
4. Grasfänger (LC 551iV)
5. Hintere Abdeckung (LC 551iV)
6. Sicherheitsschlüssel
7. Griffknopf (LC 551iV)
8. GriffEinstellungshebel (LB 548i)
9. Akku-Abdeckung
10. Schnitthöhenregelung (LC 551iV)
11. ON/OFF-Schalter
12. SavE-Taste (Energiespartaste)
13. SavE-Anzeige
14. Akkuanzeige
15. Geschwindigkeitsanzeige
16. Taste Drehzahl verringern
17. Taste Drehzahl erhöhen
18. Störungs-LED
19. Schneidwerkabdeckung
20. Lufteinlässe
21. Typenschild
22. Antriebsgriff (LC 551iV)
23. Ladegerät (Zubehör)
24. Akku (Zubehör)
25. Multi-Akku (Zubehör)
26. Adapterplatte (Zubehör)
27. Multi-Akku-Adapter (Zubehör)
28. Betriebsanleitung

### Symbole auf dem Gerät

(Abb. 2)

**WARNUNG:** Dieses Gerät kann gefährlich sein und schwere oder tödliche Verletzungen des Bedieners oder anderer Personen verursachen. Gehen Sie vorsichtig vor, und verwenden Sie das Gerät ordnungsgemäß.

(Abb. 3)

Lesen Sie die Bedienungsanleitung, und machen Sie sich mit den Anweisungen vertraut, bevor Sie das Gerät verwenden.

(Abb. 4)

Andere Personen oder Tiere müssen sich in

sicherem Abstand vom Arbeitsbereich befinden.

(Abb. 5) Achten Sie auf hochgeschleuderte und abprallende Gegenstände.

(Abb. 6) Warnung: Halten Sie Hände und Füße von der rotierenden Klinge fern.

(Abb. 7) Warnung: Halten Sie Hände und Füße von rotierenden Teilen fern.

(Abb. 8) Ziehen Sie vor Reparatur- und Wartungsarbeiten den Sicherheitsschlüssel ab.

(Abb. 9) **Umweltkennzeichen.** Das Gerät und die Verpackung des Geräts dürfen nicht über den Hausmüll entsorgt werden. Recyceln Sie es an einer offiziellen Recyclingstation für elektrische und elektronische Geräte.

(Abb. 10) Dieses Produkt stimmt mit den geltenden CE-Richtlinien überein.

(Abb. 11) Dieses Produkt stimmt mit den geltenden Richtlinien der eurasischen Zollunion überein.

(Abb. 12) Dieses Produkt stimmt mit den geltenden UkrSEPRO-Richtlinien überein.

(Abb. 13) Dieses Produkt stimmt mit den geltenden RCM-Richtlinien überein. Dies gilt nur für AU/NZ.

(Abb. 14) Umweltbelastende Geräuschemissionen entsprechen den maßgeblichen EU-Richtlinien. Die Geräuschemission des Geräts ist in *Technische Daten auf Seite 110* und auf dem Aufkleber angegeben.

**IPX4** Spritzwassergeschützt.  
**IPX4**

(Abb. 19) Startvorgang: Drücken Sie den ON/OFF-Schalter, lösen Sie die Wegfahrsperrung, drücken Sie den Motorbremsbügel nach unten.

(Abb. 15) Lassen Sie den Motorbremsbügel bis zum Stopp los.

(Abb. 16) Langsam

(Abb. 17) Schnell

(Abb. 18) Scanbarer Code

---

**Hinweis:** Sonstige Symbole/Aufkleber auf dem Gerät beziehen sich auf Zertifizierungsanforderungen, die in einigen Märkten gelten.

---

## Etikett auf dem Gerät

(Abb. 20)



Halten Sie Hände und Füße von den rotierenden Rasenmäherklingen fern.

## Produkthaftung

Im Sinne der Produkthaftungsgesetze übernehmen wir keine Haftung für Schäden, die unser Gerät verursacht, wenn...

- das Gerät nicht ordnungsgemäß repariert wird.
- das Gerät mit Teilen repariert wird, die nicht vom Hersteller stammen oder nicht vom Hersteller zugelassen sind.
- ein Zubehörteil mit dem Gerät verwendet wird, das nicht vom Hersteller stammt oder nicht vom Hersteller zugelassen ist.
- das Gerät nicht bei einem zugelassenen Service Center oder von einem zugelassenen Fachmann repariert wird.

---

## Sicherheit

---

### Sicherheitsdefinitionen

Warnungen, Vorsichtsmaßnahmen und Hinweise werden verwendet, um auf besonders wichtige Teile der Bedienungsanleitung hinzuweisen.



**WARNUNG:** Wird verwendet, wenn bei Nichtbeachtung der Anweisungen in diesem Handbuch die Gefahr von Verletzung oder Tod des Bedieners oder anderer Personen besteht.



**ACHTUNG:** Wird verwendet, wenn bei Nichtbeachtung der Anweisungen in diesem Handbuch die Gefahr von Schäden am Gerät, an anderen Materialien oder in der Umgebung besteht.

**Hinweis:** Für weitere Informationen, die in bestimmten Situationen nötig sind.

---

### Allgemeine Sicherheitshinweise

---



**WARNUNG:** Lesen Sie die folgenden Warnhinweise, bevor Sie das Gerät benutzen.

- Dieses Gerät ist gefährlich, wenn es falsch bedient wird oder Sie unvorsichtig sind. Wenn die Sicherheitshinweise nicht befolgt werden, kann dies zu Verletzungen oder zum Tod führen.
- Dieses Gerät erzeugt beim Betrieb ein elektromagnetisches Feld. Dieses Feld kann sich unter bestimmten Bedingungen auf die Funktionsweise aktiver oder passiver medizinischer Implantate auswirken. Um die Gefahr von Situationen, die zu

- schweren oder tödlichen Verletzungen führen können, zu reduzieren, sollten Personen mit einem medizinischen Implantat vor der Nutzung dieses Geräts ihren Arzt und den Hersteller des Implantats konsultieren.
- Lassen Sie immer Vorsicht walten, und arbeiten Sie mit gesundem Menschenverstand. Wenn Sie sich nicht sicher sind, wie das Gerät in einer bestimmten Situation zu bedienen ist, unterbrechen Sie die Arbeit und wenden sich an Ihren Husqvarna Händler, bevor Sie fortfahren.
  - Denken Sie daran, dass der Bediener für Unfälle mit anderen Personen oder deren Eigentum verantwortlich ist.
  - Halten Sie das Gerät sauber. Stellen Sie sicher, dass Symbole und Aufkleber deutlich lesbar sind.
  - Verhindern Sie, dass Kinder oder Personen, die mit den Anweisungen nicht vertraut sind, das Gerät benutzen. Unter Umständen gelten gesetzlich vorgeschriebene Altersbeschränkungen für den Bediener
  - Stellen Sie sicher, dass Personen mit verminderter physischer oder psychischer Leistungsfähigkeit dieses Gerät nicht unbeobachtet verwenden. Es muss immer ein verantwortlicher Erwachsener anwesend sein.
  - Verwenden Sie das Gerät nicht, wenn Sie müde oder krank sind oder unter Einfluss von Alkohol, Drogen oder Medikamenten stehen. Dies wirkt sich negativ auf Ihre Sehkraft, Ihre Aufmerksamkeit sowie Ihr Koordinations- und Urteilsvermögen aus.
  - Verwenden Sie das Gerät nicht, wenn es defekt ist.
  - Verändern oder verwenden Sie dieses Produkt nicht, wenn es möglich ist, dass andere es verändert haben.

### Sicherheit im Arbeitsbereich



**WARNUNG:** Lesen Sie die folgenden Warnhinweise, bevor Sie das Gerät benutzen.

---

- Entfernen Sie Gegenstände wie Äste, Zweige und Steine aus dem Arbeitsbereich, bevor Sie das Produkt verwenden.
- Gegenstände, die auf die Schneidausrüstung treffen, können herausgeschleudert werden und Personen und

Gegenständen Schaden zufügen. Halten Sie andere Personen und Tiere in einem sicheren Abstand zum Produkt.

- Benutzen Sie das Gerät niemals bei schlechtem Wetter wie Nebel, Regen, starkem Wind, intensiver Kälte und bei der Gefahr eines Blitzeinschlags. Die Verwendung des Geräts bei schlechtem Wetter oder an feuchten oder nassen Stellen ist anstrengend. Schlechtes Wetter kann gefährliche Zustände wie rutschige Oberflächen verursachen.
- Achten Sie auf Personen, Gegenstände und Situationen, die einen sicheren Betrieb des Geräts verhindern könnten.
- Achten Sie auf Hindernisse wie Wurzeln, Steine, Zweige, Löcher und Gräben. Langes Gras kann Hindernisse verdecken.
- Das Mähen von Gras an Steigungen kann gefährlich sein. Mähen Sie nicht an übermäßig steilen Hängen. Verwenden Sie das Gerät nicht in einem Gelände mit einer Neigung von mehr als 15°
- Bei Richtungswechseln auf abschüssigem Gelände ist äußerste Vorsicht geboten. Betreiben Sie das Gerät quer zum Hang. Bewegen Sie sich nicht nach oben und nach unten.
- Seien Sie vorsichtig, wenn Sie um versteckte Ecken oder Objekte herum fahren, die Ihre freie Sicht verhindern.

## Arbeitssicherheit



**WARNUNG:** Lesen Sie die folgenden Warnhinweise, bevor Sie das Gerät benutzen.

---

- Verwenden Sie dieses Gerät nur zum Mähen von Rasenflächen. Es ist nicht erlaubt, das Gerät für andere Aufgaben zu verwenden.
- Tragen Sie eine persönliche Schutzausrüstung. Siehe *Persönliche Schutzausrüstung auf Seite 97*.
- Stellen Sie sicher, dass Sie wissen, wie der Motor in einem Notfall schnell gestoppt werden kann.
- Verwenden Sie das Gerät nicht im Regen oder in feuchter Umgebung. Das Risiko eines elektrischen

- Schlags wird erhöht, wenn Wasser in das Gerät eindringt.
- Starten Sie das Gerät nicht, bevor die Klinge und alle Abdeckungen korrekt befestigt sind. Eine falsch befestigte Klinge kann sich lösen und Verletzungen verursachen.
  - Stellen Sie sicher, dass die Klinge nicht auf Gegenstände wie Steine und Wurzeln trifft. Dies kann die Klinge beschädigen und die Motorwelle verbiegen. Eine verbogene Achse führt zu starken Vibrationen und birgt ein hohes Risiko, dass die Klinge sich löst.
  - Wenn die Klinge auf ein Objekt trifft oder Vibrationen auftreten, müssen Sie das Gerät sofort abstellen. Stoppen Sie den Motor, ziehen Sie den Sicherheitsschlüssel nach oben und entfernen Sie den Akku. Untersuchen Sie das Gerät auf Beschädigungen. Reparieren Sie Schäden oder lassen Sie eine autorisierte Servicewerkstatt die Reparatur durchführen.
  - Befestigen Sie den Motorbremsbügel niemals fest am Griff, wenn der Motor läuft.
  - Stellen Sie das Gerät auf eine stabile, flache Oberfläche und starten Sie es. Stellen Sie sicher, dass die Klinge nicht den Boden oder ein anderes Objekt berührt.
  - Bleiben Sie immer hinter dem Gerät, wenn Sie es betreiben.
  - Lassen Sie alle Räder auf dem Boden bleiben, und halten Sie den Griff mit beiden Händen, wenn Sie das Gerät betreiben. Halten Sie Hände und Füße von den rotierenden Klingen fern.
  - Kippen Sie das Gerät nicht, wenn der Motor läuft.
  - Seien Sie vorsichtig, wenn Sie das Gerät nach hinten ziehen.
  - Heben Sie das Gerät nicht hoch, wenn der Motor läuft. Wenn Sie das Gerät anheben müssen, stoppen Sie zuerst den Motor, ziehen Sie den Sicherheitsschlüssel nach oben und nehmen Sie den Akku heraus.
  - Gehen Sie nicht rückwärts, wenn Sie das Gerät betreiben.
  - Stellen Sie den Motor ab, wenn Sie sich über Bereiche ohne Gras bewegen, zum Beispiel Wege aus Kies, Stein und Asphalt.
  - Rennen Sie nicht mit dem Gerät, wenn der Motor läuft.

Gehen Sie immer, wenn Sie das Gerät benutzen.

- Stellen Sie den Motor ab, bevor Sie die Schnitthöhe verändern. Verändern Sie die Einstellungen niemals, wenn der Motor läuft.
- Lassen Sie das Gerät niemals aus den Augen, wenn der Motor läuft. Stellen Sie den Motor ab und stellen Sie sicher, dass sich die Schneidausrüstung nicht dreht.

Sicherheitshinweise für den Betrieb

### Persönliche Schutzausrüstung



**WARNUNG:** Lesen Sie die folgenden Warnhinweise, bevor Sie das Gerät benutzen.

- Die persönliche Schutzausrüstung kann Verletzungen nicht vollständig vermeiden, vermindert aber den Umfang der Verletzungen und Schäden bei einem Unfall. Lassen Sie sich von Ihrem Händler bei der Auswahl der richtigen Ausrüstung unterstützen.
- Tragen Sie rutschfeste Sicherheitstiefel oder -schuhe. Verwenden Sie keine

offenen Schuhe, und gehen Sie nicht barfuß.

- Tragen Sie schwere, lange Hosen.
- Tragen Sie bei Bedarf Schutzhandschuhe, beispielsweise bei der Montage, der Untersuchung oder der Reinigung der Schneidausrüstung.

### Sicherheitsvorrichtungen am Gerät



**WARNUNG:** Lesen Sie die folgenden Warnhinweise, bevor Sie das Gerät benutzen.

- Benutzen Sie kein Gerät mit defekten Sicherheitsvorrichtungen.
- Führen Sie regelmäßig eine Überprüfung der Sicherheitsvorrichtungen durch. Wenn die Sicherheitsvorrichtungen defekt sind, wenden Sie sich an Ihre Husqvarna-Service Werkstatt.

### So überprüfen Sie den Schneidschutz

Der Schneidschutz verringert Vibrationen im Gerät und das Verletzungsrisiko durch die Klinge.

- Untersuchen Sie die Schneidwerkabdeckung, um sicherzustellen, dass es keine Beschädigungen wie zum Beispiel Risse gibt.

## Sicherheitsschlüssel

Der Sicherheitsschlüssel befindet sich unter der Akkuabdeckung. Mit dem Sicherheitsschlüssel wird der Akku angeschlossen, der den Motor mit Strom versorgt.

## So kontrollieren Sie den Sicherheitsschlüssel

Mit dem Sicherheitsschlüssel wird der Akku angeschlossen, der den Motor mit Strom versorgt.

- So starten und stoppen Sie den Motor. Wenn der Sicherheitsschlüssel ordnungsgemäß funktioniert, kann der Motor nur starten, wenn sich der Sicherheitsschlüssel in der Sicherheitssperre befindet.

## Motorbremsbügel

Der Motorbremsbügel stoppt den Motor. Wenn der Motorbremsbügel losgelassen wird, stoppt der Motor.

Um eine Prüfung der Motorbremse durchzuführen, starten Sie den Motor und lassen dann den Motorbremsbügel los. Wenn der Motor nicht innerhalb von 3 Sekunden stoppt, lassen Sie die Motorbremse von einer autorisierten Husqvarna Servicewerkstatt einstellen.

(Abb. 21)

## So überprüfen Sie die Startsperr

Führen Sie eine Prüfung der Startsperr durch, um sicherzustellen, dass diese den Betrieb des Motors verhindert.

1. Drücken Sie den Motorbremsbügel in die Richtung des Lenkers. Die Startsperr stoppt die Bewegung.
2. Drücken Sie die Startverzögerung heraus. (Abb. 22)
3. Lösen Sie die Startsperr und stellen Sie sicher, dass sie sich zurück in die Ausgangsstellung bewegt.

## Sicherer Umgang mit Akkus



**WARNUNG:** Lesen Sie die folgenden

## Warnhinweise, bevor Sie das Gerät benutzen.

---

- Verwenden Sie die wiederaufladbaren Akkus von Husqvarna nur als Stromversorgung für zugehörige Husqvarna Produkte. Um Verletzungen zu vermeiden, verwenden Sie den Akku nicht zur Energieversorgung anderer Geräte.
- Verwenden Sie keine nicht aufladbaren Akkus.
- Es besteht die Gefahr von elektrischen Schlägen. Verbinden Sie die Akkuklemmen nicht mit Schlüsseln, Münzen, Schrauben oder anderen metallischen Gegenständen. Dadurch kann es zu einem Kurzschluss des Akkus kommen.
- Legen Sie keine Gegenstände in die Luftschlitze des Akkus.
- Halten Sie den Akku von direkter Sonneneinstrahlung, Hitze oder offenem Feuer fern. Der Akku kann explodieren und Verbrennungen und/oder chemische Verbrennungen verursachen.
- Halten Sie den Akku von Regen und Feuchtigkeit fern.
- Halten Sie den Akku von Mikrowellen und hohem Druck fern.
- Versuchen Sie nicht, den Akku zu zerlegen oder aufzubrechen.
- Wenn aus dem Akku Flüssigkeit austritt, vermeiden Sie Haut- oder Augenkontakt mit dieser. Sollten Sie dennoch mit der Flüssigkeit in Berührung gekommen sein, reinigen Sie den Bereich mit ausreichend Wasser und suchen Sie medizinische Hilfe auf.
- Der Akku darf nur bei Temperaturen zwischen -10 und 40 °C verwendet werden.
- Reinigen Sie weder den Akku noch das Ladegerät mit Wasser. Siehe *So reinigen Sie den Akku und das Ladegerät auf Seite 107.*
- Verwenden Sie keine fehlerhaften oder beschädigten Akkus.
- Lagern Sie Akkus getrennt von Metallgegenständen wie Nägeln, Münzen und Schmuck.

## Sicherer Umgang mit dem Ladegerät

---



**WARNUNG:** Lesen Sie die folgenden Warnhinweise, bevor Sie das Gerät benutzen.

---

- Verwenden Sie die QC Ladegeräte nur zum Laden von Husqvarna Akkus.
- Stromschlag- oder Kurzschlussgefahr. Legen Sie keine Gegenstände in die Luftschlitze des Ladegeräts. Das Ladegerät nicht zerlegen. Verbinden Sie die Anschlüsse des Ladegeräts nicht mit Metallgegenständen. Verwenden Sie eine geprüfte Netzsteckdose.
- Dieses Gerät erzeugt beim Betrieb ein elektromagnetisches Feld. Dieses Feld kann sich unter bestimmten Bedingungen auf die Funktionsweise aktiver oder passiver medizinischer Implantate auswirken. Um die Gefahr von Situationen, die zu schweren oder tödlichen Verletzungen führen können, auszuschließen, sollten Personen mit einem medizinischen Implantat vor der Nutzung dieses Gerätes ihren Arzt und den Hersteller des Implantats konsultieren.
- Prüfen Sie regelmäßig, dass das Netzkabel des Akkuladegeräts nicht beschädigt ist und dass keine Risse vorhanden sind.
- Heben Sie das Ladegerät nicht am Netzkabel an. Um das Ladegerät von der Steckdose zu trennen, ziehen Sie am Netzstecker. Ziehen Sie nicht am Netzkabel.
- Achten Sie darauf, dass Netzkabel und Verlängerungskabel nicht mit Wasser, Öl oder scharfen Kanten in Berührung kommen. Achten Sie darauf, dass die Kabel nicht in Türen, Zäunen o. ä. eingeklemmt werden. Es besteht sonst die Gefahr, dass das Ladegerät unter Strom gestellt wird.
- Reinigen Sie das Ladegerät nicht mit Wasser.
- Das Akkuladegerät kann von Kindern ab 8 Jahren sowie von Personen mit eingeschränkten physischen, sensorischen oder psychischen Fähigkeiten bzw. Personen ohne jegliche Erfahrung oder Kenntnisse verwendet werden, wenn sie beaufsichtigt werden oder



ihnen die sichere Verwendung des Ladegeräts ausführlich erklärt wurde und sie sich der Gefahren bewusst sind. Kinder dürfen nicht mit dem Ladegerät spielen. Die Reinigung und Wartung durch den Anwender darf nicht von Kindern ohne Aufsicht durchgeführt werden.

- Setzen Sie keine nicht wiederaufladbaren Akkus in das Ladegerät ein.
- Das Ladegerät darf nicht in der Nähe von entflammaren Materialien oder Materialien, die Korrosion verursachen können, verwendet werden. Das Ladegerät darf nicht abgedeckt werden. Bei Rauchentwicklung oder Feuer muss der Stecker des Ladegeräts sofort aus der Steckdose gezogen werden.
- Verwenden Sie keine fehlerhaften oder beschädigten Ladegeräte.
- Laden Sie den Akku nur in geschlossenen Räumen an einem Ort mit guter Luftzirkulation und ohne direkte Sonneneinstrahlung. Auf keinen Fall Akkus in feuchter Umgebung laden.

## Sicherheitshinweise für die Wartung

---



**WARNUNG:** Lesen Sie die folgenden Warnhinweise, bevor Sie das Gerät benutzen.

---

- Entfernen Sie den Sicherheitsschlüssel, bevor Sie Wartungsarbeiten am Gerät durchführen.
- Führen Sie die Wartungsarbeiten zur Erhöhung der Lebensdauer des Geräts und Verringerung der Unfallgefahr ordnungsgemäß aus. Lassen Sie professionelle Reparaturen von einer zugelassenen Servicewerkstatt durchführen. Weitere Informationen erhalten Sie von Ihrer Servicewerkstatt.
- Führen Sie die Wartung nur gemäß dieser Betriebsanleitung durch.
- Tragen Sie beim Umgang mit der Schneidausrüstung schwere Arbeitshandschuhe. Die Klinge ist sehr scharf und man schneidet sich sehr leicht.
- Halten Sie die Schnittkanten sauber und scharf für die beste und sicherste Leistung.

- Ihre Servicewerkstatt sollte das Gerät regelmäßig überprüfen und notwendige Einstellungen und Reparaturen vornehmen.
- Ersetzen Sie beschädigte, abgenutzte oder defekte Teile.
- Befolgen Sie die Anweisungen für das Auswechseln von Zubehörteilen. Verwenden Sie nur Zubehör vom Gerätehersteller.
- Wenn es nicht in Betrieb ist, bewahren Sie Gerät, Akku und Ladegerät getrennt an einem trockenen und abgeschlossenen Ort auf. Achten Sie darauf, dass Kinder und unbefugte Personen keinen Zugriff auf das Gerät, den Akku oder das Ladegerät haben.

---

## Montage

---

### Einleitung



**WARNUNG:** Lesen Sie vor der Montage des Geräts das Kapitel über Sicherheit, und machen Sie sich damit vertraut.



**WARNUNG:** Befestigen Sie das Kabel am Griff, damit es straff sitzt. Das Kabel kann sich vom Griff lösen und Verletzungen verursachen.

### So installieren und entfernen Sie den Multi-Akku (Zubehör)

1. Entfernen Sie die 4 Gummiabdeckungen und 4 Schrauben von der Motorabdeckung. (Abb. 23)
2. Legen Sie die Adapterplatte auf die Motorabdeckung.
3. Befestigen Sie die Adapterplatte mit den 4 mitgelieferten Schrauben bei einem Drehmoment von 5–6 Nm. (Abb. 24)
4. Öffnen Sie die Akkuabdeckung.
5. Entfernen Sie den Akku aus Fach 1. (Abb. 25)
6. Entfernen Sie den Dichtungsstopp. (Abb. 26)
7. Drücken Sie den Akkuadapter in das Akkufach, bis ein Klicken zu hören ist. (Abb. 27)
8. Führen Sie das Kabel des Akkuadapters durch das Loch des Dichtungsstopps. Befestigen Sie das Kabel am Clip. (Abb. 28)
9. Montieren Sie den Multi-Akku auf dem Akkuadapter
10. Schließen Sie den Multi-Akku am Akkuadapter an. (Abb. 29)
11. Befestigen Sie das Kabel des Akkuadapters mit den 3 Stoffriemen am Griff. (Abb. 30)
12. Nehmen Sie den Multi-Akku in umgekehrter Reihenfolge heraus.

### So montieren Sie den Griff (LC 551iV)

1. Lösen Sie die unteren Drehknöpfe.
2. Schieben Sie die Knöpfe ans untere Ende der Nuten an der linken und rechten Seite des Geräts. (Abb. 31)
3. Stellen Sie die Höhe des Griffs in einer der 2 verfügbaren Positionen ein.
4. Bewegen Sie die Knöpfe nach oben in Richtung Griff, bis sie den Anschlag erreichen und ein Klicken zu hören ist. (Abb. 32)
5. Ziehen Sie die Knöpfe vollständig an.

### So montieren Sie den Griff (LB 548i)

1. Entfernen Sie die Griffmutter und die Scheibe von der Platte am oberen Griff.
  2. Bringen Sie den oberen Griff an der Oberseite des unteren Griffs in Position.
- 
- ACHTUNG:** Stellen Sie sicher, dass die Kabel nicht eingeklemmt oder beschädigt werden.
3. Befestigen Sie die Scheibe und den Griffjustierhebel. (Abb. 33)
  4. Drehen Sie den Griff für eine gute Betriebsposition zur Seite, wenn Sie das Gerät in der Nähe einer Wand betreiben. (Abb. 34)

## So montieren Sie den Grasfänger (LC 551iV)

1. Befestigen Sie den Rahmen des Grasfängers am Fangbeutel, sodass der starre Teil des Beutels nach unten weist. Halten Sie den Griff des Rahmens am oberen Ende des Fangbeutels fest. (Abb. 35)
2. Setzen Sie den unteren Teil des Rahmens des Grasfängers in die Nut an der Unterseite des Grasfängers.
3. Befestigen Sie den Fangbeutel mit den Klemmen am Rahmen des Grasfängers. (Abb. 36)
4. Heben Sie die hintere Abdeckung an.
5. Befestigen Sie den Grasfänger an der Oberkante des Chassis.

6. Setzen Sie den unteren Teil des Grasfängers in den Grasaustrittskanal. (Abb. 37)

## Montage des Mulcheinsatzes (LC 551iV Zubehör)

1. Heben Sie die hintere Abdeckung an, und entfernen Sie den Grasfänger.
2. Setzen Sie den Mulcheinsatz in den Austrittskanal. (Abb. 38)
3. Ersetzen Sie das Messer mit der Mulchklinge, die mit dem Mulchsatz geliefert wird. Siehe *So tauschen Sie das Messer aus* auf Seite 107.

---

## Betrieb

---

### Einleitung



**WARNUNG:** Vor dem Betrieb des Gerätes müssen Sie die Sicherheitsinformationen lesen und verstehen.

### Husqvarna Connect

Husqvarna Connect ist eine kostenlose App für Ihr Mobilgerät. Die Husqvarna Connect App bietet erweiterte Funktionen für Ihr Gerät:

- Erweiterte Produktinformationen
- Informationen über Produktteile und -wartung sowie entsprechende Hilfe dazu.

### So verwenden Sie Husqvarna Connect

1. Laden Sie die Husqvarna Connect App auf Ihr Mobiltelefon.
2. Anmeldung bei der Husqvarna Connect App.
3. Befolgen Sie die Anweisungen in der Husqvarna Connect App, um sich zu verbinden und das Gerät zu registrieren.

### Husqvarna Fleet Services™

Husqvarna Fleet Services™ ist eine Cloud-Lösung, durch die der Vertriebsmanager der Flotte eine Übersicht über alle Geräte erhält. Husqvarna Fleet Services™ ist im Lieferumfang für LC 551iV enthalten. Weitere Informationen zu Husqvarna Fleet Services™ finden Sie unter [www.husqvarna.com](http://www.husqvarna.com).

### Vorbereitung des Sensors (Zubehör)

1. Verwenden Sie den Sensorschlüssel, um den Deckel des Sensors zu öffnen. (Abb. 39)
2. Entfernen Sie den Sensor.
3. Verbinden Sie den Akku mit dem Sensor. Die LED-Leuchte des Sensors leuchtet auf. (Abb. 40)

4. Laden Sie die Husqvarna Fleet Services™ -App herunter.
5. Melden Sie sich bei der Husqvarna Fleet Services™ -App an.
6. Führen Sie einen Kopplungsvorgang durch. Siehe *So führen Sie einen Kopplungsvorgang zwischen der App und dem Gerät durch* auf Seite 103

### So führen Sie einen Kopplungsvorgang zwischen der App und dem Gerät durch

1. Melden Sie sich bei der Husqvarna Fleet Services™ -App an.
2. Wählen Sie Ihr Gerät in der App aus.
3. Scannen Sie den Code hinter dem Sensor mit Ihrem Mobilgerät, um den Sensor in der App zu installieren.

**Hinweis:** Ein Kopplungsvorgang zwischen der App und dem Gerät ist nur einmal erforderlich.

### So installieren Sie den Sensor

1. Stellen Sie sicher, dass der Sensor mit der Husqvarna Fleet Services™ -App verbunden ist. Siehe *So führen Sie einen Kopplungsvorgang zwischen der App und dem Gerät durch* auf Seite 103.
2. Bohren Sie 2 Löcher an den Markierungen in der Gehäuseaussparung. (Abb. 41)

**Hinweis:** Stellen Sie sicher, dass die Löcher die gleiche Größe wie die mitgelieferten Nieten des Sensors besitzen.

3. Verwenden Sie eine Zange, um die äußeren Bohrungen am Sensorgehäuse zu entfernen. (Abb. 42)
4. Bohren Sie 2 Löcher an den Markierungen in der Sensoraussparung. (Abb. 43)

- Richten Sie die Sensoraussparrung mit der Gehäuseausparrung aus. (Abb. 44)
- Befestigen Sie die Sensoraussparrung mit den Nieten.
- Montieren Sie den Sensor in der Sensoraussparrung. Richten Sie die weiße Markierung auf dem Sensor mit der Markierung auf der Sensoraussparrung aus. (Abb. 45)
- Schließen Sie den Deckel des Sensors und sperren Sie ihn mit dem Sensorschlüssel ab. Stellen Sie sicher, dass der obere Teil des Husqvarna-„H“ vom Sicherheitsschlüssel weg zeigt. (Abb. 46)

## So bringen Sie das Gerät in die Betriebsposition (LC 551V)

- Klappen Sie den Griff nach oben. (Abb. 47)
- Bewegen Sie die Knöpfe nach oben in Richtung Griff, bis sie den Anschlag erreichen und ein Klicken zu hören ist. (Abb. 32)
- Ziehen Sie die Knöpfe vollständig an.

## So stellen Sie die Schnitthöhe ein

Die Schnitthöhe lässt sich in 6 Stufen einstellen.

- Drücken Sie den Schnitthöhenhebel in Richtung des Rades und dann nach hinten, um die Schnitthöhe zu vergrößern.
- Drücken Sie den Schnitthöhenhebel in Richtung des Rades und dann nach vorn, um die Schnitthöhe zu verringern. (Abb. 48)



**ACHTUNG:** Stellen Sie die Schnitthöhe nicht zu niedrig ein. Die Klingen können auf den Boden treffen, wenn die Oberfläche des Rasens nicht eben ist.

## Akku



**WARNUNG:** Vor dem Betrieb des Akkus müssen Sie die Sicherheitsinformationen lesen und verstehen. Sie müssen außerdem Bedienungsanleitung für den Akku und das Ladegerät lesen und verstehen.

## Akkuladestatus

Auf der Anzeige werden der verbleibende Ladestatus und eventuelle Störungen des Akkus angezeigt. Die Akkukapazität wird nach dem Ausschalten des Geräts bzw. nach Drücken der Akkuanzeigetaste für 5 Sekunden angezeigt. Das Warnsymbol auf dem Akku ist an, wenn eine Störung vorliegt. Siehe *Akku auf Seite 108*.

(Abb. 49)

LED-Leuchten	Akkuladestatus
Alle LEDs leuchten	Volle Ladung (75-100 %)

LED-Leuchten	Akkuladestatus
LED 1, LED 2 und LED 3 leuchten	Der Akku ist zu 50-75 % geladen
LED 1 und LED 2 leuchten	Der Akku ist zu 25-50 % geladen
LED 1 leuchtet	Der Akku ist zu 0-25 % geladen.
LED 1 blinkt	Der Akku ist leer. Laden Sie den Akku.

## So laden Sie den Akku

Laden Sie den Akku vor dem ersten Gebrauch. Der Akku ist bei der Auslieferung an den Kunden nur zu 30 % geladen.

**Hinweis:** Das Ladegerät muss mit der auf dem Typenschild angegebenen Spannung und Frequenz angeschlossen werden.

Der Akku wird nicht aufgeladen, wenn die Akkutemperatur über 50 °C beträgt. Das Ladegerät verringert die Temperatur des Akkus, bevor es zu laden beginnt.

- Schließen Sie ein Ende des Netzkabels für das Ladegerät an die Anschlussbuchse des Ladegeräts an.
- Schließen Sie das andere Ende des Netzkabels für das Ladegerät an eine geerdete Steckdose an. Die LED am Ladegerät blinkt einmal grün. (Abb. 50)
- Die Batterie in das Ladegerät einlegen. Die grüne Leuchte auf dem Ladegerät leuchtet auf, wenn der Akku richtig mit dem Ladegerät verbunden ist. (Abb. 51)
- Wenn alle LEDs am Akku leuchten, ist der Akku vollständig aufgeladen. Laden Sie den Akku für maximal 24 Stunden.
- Um das Ladegerät von der Steckdose zu trennen, ziehen Sie am Netzstecker und nicht am Netzkabel.
- Den Akku aus dem Ladegerät entnehmen.

## Akku-Ladestatus

Ein Husqvarna Li-Ionen-Akku kann in jedem Ladestatus aufgeladen oder genutzt werden. Der Akku wird hierdurch nicht beschädigt. Ein vollgeladener Akku behält seine Ladung auch dann, wenn der Akku im Ladegerät belassen wird.

LED-Anzeige	Ladestatus
LED 1 blinkt	0 %-25 %
LED 1 leuchtet, LED 2 blinkt	25 %-50 %

LED-Anzeige	Ladezustand
LED 1 und LED 2 leuchten, LED 3 blinkt	50 %-75 %
LED 1, LED 2 und LED 3 leuchten, LED 4 blinkt	75%-100 %
LED 1, LED 2, LED 3 und LED 4 leuchten	Vollständig aufgeladen

## Aufladen des Multi-Akkus

**Hinweis:** Laden Sie den Akku, wenn Sie ihn zum ersten Mal verwenden. Ein neuer Akku ist nur zu 30 % geladen.

1. Stellen Sie sicher, dass der Akku trocken ist.
2. Verbinden Sie den Multi-Akku mit dem Adapter. (Abb. 52)
3. Legen Sie den Adapter in das Ladegerät ein.
4. Stellen Sie sicher, dass die grüne Lade-LED auf dem Ladegerät aufleuchtet. Dies bedeutet, dass der Adapter und der Multi-Akku korrekt verbunden sind. (Abb. 53)
5. Wenn alle LEDs am Akku leuchten und der Adapter 100 % anzeigt, ist er vollständig aufgeladen. (Abb. 54)

Der Adapter zeigt den Ladezustand in 1-%-Schritten an. Zu Beginn des Ladevorgangs kann es zu kleinen Abweichungen kommen.

6. Um das Ladegerät von der Steckdose zu trennen, ziehen Sie den Netzstecker. Ziehen Sie nicht am Kabel.
7. Nehmen Sie den Adapter aus dem Ladegerät.
8. Nehmen Sie den Multi-Akku aus dem Adapter.

**Hinweis:** Weitere Informationen entnehmen Sie bitte den Bedienungsanleitungen für den Multi-Akku und das Ladegerät.

## So starten Sie das Gerät

1. Öffnen Sie die Akkuabdeckung.
2. Legen Sie einen geladenen Akku in das Akkufach Nummer 1 unter der Akkuabdeckung. Für eine längere Betriebsdauer legen Sie einen zweiten aufgeladenen Akku in das Akkufach 2.
3. Trennen Sie den Sicherheitsschlüssel von dessen Halter.
4. Drücken Sie den Sicherheitsschlüssel in die Sicherheitssperre. (Abb. 55)
5. Halten Sie sich immer hinter dem Gerät auf.
6. Drücken Sie den ON/OFF-Schalter auf der Bedientafel. Das Display schaltet sich ein.
7. Lösen Sie die Wegfahrsperrung. (Abb. 22)

8. Drücken Sie den Motorbremsbügel in die Richtung des Lenkers. (Abb. 56)

## So treiben Sie die Räder an (LC 551IV)

- Ziehen Sie den Antriebsbügel zum Lenker, um den Antrieb zu starten. (Abb. 57)
- Drücken Sie + und - auf dem Bedienfeld, um die Drehzahl des Antriebs in 4 Schritten einzustellen. (Abb. 58)
- Lassen Sie den Antriebsgriff los, um den Antrieb auszuschalten, z. B., wenn Sie sich in die Nähe eines Hindernisses bewegen.

## So verwenden Sie die SavE-Akkusparfunktion

Das Produkt ist mit einer Akkusparfunktion (SavE) ausgestattet, um die Betriebsdauer zu verlängern.

1. Drücken Sie die SavE-Taste (A) (Energiespartaste) zum Starten der Funktion. Das SavE-Symbol (B) erscheint auf dem Display.
2. Drücken Sie die SavE-Taste (Energiespartaste) erneut, um die SavE-Funktion zu deaktivieren. Das SavE-Symbol (B) verschwindet vom Display. (Abb. 59)

Die SavE-Funktion stoppt automatisch, wenn die Bodenbeschaffenheit eine höhere Leistung notwendig macht. Die SavE-Funktion startet automatisch erneut, wenn die Bodenbeschaffenheit es zulässt.

## PowerBoost-Funktion

Wenn das Produkt langes oder nasses Gras schneidet, wird die Motordrehzahl automatisch erhöht. Um Akkuzeit zu sparen, kehrt der Motor automatisch in den Standard-Modus zurück, sobald die PowerBoost-Funktion nicht mehr nötig ist.

## So schalten Sie das Gerät aus

Das Gerät stoppt automatisch, wenn Sie es für 3 Minuten nicht in Betrieb nehmen.

1. Lösen Sie den Motorbremsbügel, um den Motor auszuschalten. (Abb. 21)
2. Drücken Sie den ON/OFF-Schalter auf der Bedientafel. Alle LEDs und Symbole auf dem Display erlöschen. (Abb. 60)
3. Entfernen Sie den Sicherheitsschlüssel aus der Sicherheitssperre und geben Sie ihn in den Sicherheitsschlüsselhalter.

## So erhalten Sie ein gutes Mähergebnis

- Benutzen Sie immer eine scharfe Klinge. Eine stumpfe Klinge liefert ein unregelmäßiges Ergebnis, und die Schnittfläche des Grases wird gelb. Eine scharfe Klinge verbraucht außerdem weniger Energie als eine stumpfe Klinge.
- Schneiden Sie nicht mehr als  $\frac{1}{3}$  der Länge des Grases ab. Mähen Sie zuerst mit einer hohen

Schnitthöhe. Überprüfen Sie das Ergebnis, und senken Sie die Schnitthöhe auf eine entsprechende Stufe. Wenn das Gras sehr lang ist, fahren Sie langsam und mähen bei Bedarf 2-mal.

- Mähen Sie bei jedem Mal in eine andere Richtung, um Streifen auf dem Rasen zu vermeiden.

2. Wenn ein Mulcheinsatz und eine Mulchklinge angebracht sind, entfernen Sie diese.
3. Schließen Sie die hintere Abdeckung, bevor Sie das Gerät verwenden.

Wenn Sie das Produkt verwenden, entlädt sich das Gras unter der hinteren Abdeckung.

## So mähen Sie ohne Grasfänger oder Mulcheinsatz (LC 551iV)

1. Heben Sie die hintere Abdeckung an, und entfernen Sie den Grasfänger.

---

## Wartung

---

### Einleitung



**WARNUNG:** Bevor Sie eine Wartung durchführen, müssen Sie das Kapitel über die Sicherheit lesen und verstehen.

Für alle Wartungs- und Reparaturarbeiten am Produkt ist eine spezielle Schulung erforderlich. Wir garantieren die Verfügbarkeit von professionellen Reparaturen und Wartungsarbeiten. Wenn Ihr Händler keine Servicewerkstatt ist, sprechen Sie mit ihm, um

Informationen über die nächste Servicewerkstatt zu erhalten.

### Wartungsplan

Die Wartungsintervalle werden anhand der täglichen Nutzung des Geräts berechnet. Die Intervalle ändern sich, wenn das Gerät nicht täglich verwendet wird.

Informationen zur Wartung mit \* finden Sie unter *Sicherheitshinweise für den Betrieb auf Seite 97*.

	Nach jedem Einsatz	Monatlich	Zu jeder Jahreszeit
Führen Sie eine allgemeine Inspektion durch	X		
Reinigen Sie die Getriebedeckel. Achten Sie darauf, dass sich kein Gras auf dem Motor befindet.	X		
Prüfen Sie die Startsperr *	X		
Stellen Sie sicher, dass die Sicherheitsvorrichtungen am Produkt nicht beschädigt sind *	X		
Überprüfen Sie den Grasfänger regelmäßig auf Verschleiß und abnehmende Leistung	X		
Prüfen Sie die Schneidausrüstung	X		
Prüfen Sie die Schneidewerkabdeckung *	X		
Führen Sie eine Prüfung des Motorbremsbügels durch *	X		
Stellen Sie sicher, dass der ON/OFF-Schalter funktioniert und nicht defekt ist	X		
Untersuchen Sie den Akku auf Schäden	X		
Kontrollieren Sie den Ladezustand des Akkus	X		
Stellen Sie sicher, dass die Entriegelungstasten am Akku richtig funktionieren und der Akku in das Produkt einrastet	X		
Reinigen Sie die Lufteinlässe. Stellen Sie sicher, dass sich kein Gras oder Schmutz auf den Lufteinlässen befindet	X		

	Nach jedem Einsatz	Monatlich	Zu jeder Jahreszeit
Überprüfen Sie das Ladegerät auf Beschädigungen und stellen Sie sicher, dass es ordnungsgemäß funktioniert		X	
Überprüfen Sie die Verbindungen zwischen dem Akku und dem Gerät. Überprüfen Sie auch die Verbindung zwischen dem Akku und dem Ladegerät			X

## So führen Sie eine allgemeine Inspektion durch

- Stellen Sie sicher, dass die Muttern und Schrauben am Produkt nicht beschädigt sind.
- Stellen Sie sicher, dass die Kabel an dem Produkt nicht so liegen, dass sie beschädigt werden könnten.

## So tauschen Sie das Messer aus

1. Arretieren Sie die Klinge mit einem Holzblock. (Abb. 61)
2. Entfernen Sie die Klingenschraube, die Federscheibe und das Messer. (Abb. 62)
3. Überprüfen Sie die Messerhalterung und die Klingenschraube auf Beschädigungen.
  - a) Wenn Sie die Klinge oder die Messerhalterung ersetzen, dann ersetzen Sie bitte auch die Klingenschraube, die Federscheibe und die Reibscheibe.
4. Prüfen Sie die Motorwelle, um sicherzustellen, dass sie nicht geknickt ist.
5. Wenn Sie die neue Klinge montieren, stellen Sie sicher, dass die gebogenen Enden der Klinge in die Richtung der Schneidwerkabdeckung zeigen. (Abb. 63)
6. Setzen Sie die Reibscheibe und die Klinge an die Messerhalterung an. (Abb. 64)
7. Stellen Sie sicher, dass die Klinge mit der Mitte der Motorwelle ausgerichtet ist. (Abb. 65)
8. Arretieren Sie die Klinge mit einem Holzblock. (Abb. 66)
9. Befestigen Sie die Federscheibe, und ziehen Sie die Schraube mit einem Drehmoment von 65-75 Nm an. (Abb. 67)
10. Drehen Sie die Klinge mit der Hand, um sicherzustellen, dass sie sich einwandfrei dreht.



**WARNUNG:** Tragen Sie stets Schutzhandschuhe. Die Klinge ist sehr scharf und man schneidet sich sehr leicht.

11. Starten Sie das Gerät, um die Klinge zu prüfen. Wenn die Klinge nicht richtig befestigt ist, gibt es im Gerät Vibrationen oder das Schneidergebnis ist unbefriedigend.

## So reinigen Sie das Gerät

- Kunststoffteile mit einem sauberen und trockenen Tuch reinigen.
- Verwenden Sie kein Wasser zur Reinigung des Produkts. Wasser kann in den Akku oder den Motor eindringen und einen Kurzschluss oder andere Schäden am Produkt verursachen.
- Reinigen Sie das Gerät nicht mit einem Hochdruckreiniger.
- Lassen Sie kein Wasser direkt auf den Motor gelangen.
- Verwenden Sie einen Pinsel, um Blätter, Gras und Schmutz zu entfernen.

## So reinigen Sie den Akku und das Ladegerät



**ACHTUNG:** Reinigen Sie weder den Akku noch das Ladegerät mit Wasser.

- Stellen Sie sicher, dass der Akku und das Ladegerät sauber und trocken sind, bevor Sie den Akku in das Ladegerät einlegen.
- Reinigen Sie die Akkuklemmen mit Druckluft oder einem weichen, trockenen Tuch.
- Reinigen Sie die Oberflächen des Akkus und des Ladegeräts mit einem weichen, trockenen Tuch.

## So prüfen Sie die Schneidausrüstung



**WARNUNG:** Um ein unbeabsichtigtes Starten zu verhindern, ziehen Sie den Sicherheitsschlüssel nach oben, entfernen Sie den Akku und warten Sie mindestens 5 Sekunden.



**WARNUNG:** Tragen Sie Schutzhandschuhe, wenn Sie an der Schneidausrüstung eine Wartung durchführen. Die Klinge ist sehr scharf und man schneidet sich sehr leicht.

1. Prüfen Sie die Schneidausrüstung auf Beschädigungen oder Risse. Wechseln Sie eine beschädigte Schneidausrüstung unbedingt aus.
2. Schauen Sie sich die Klinge an, um festzustellen, ob sie beschädigt oder stumpf ist.

**Hinweis:** Nach dem Schärfen muss die Klinge ausbalanciert werden. Lassen Sie eine Servicewerkstatt die Klinge schärfen, ersetzen und ausbalancieren. Wenn Sie auf ein Hindernis treffen, das das Gerät zum Halten

bringt, ersetzen Sie die beschädigte Klinge. Lassen Sie die Werkstatt beurteilen, ob die Klinge geschliffen werden kann oder ersetzt werden muss.

## Fehlerbehebung

### Akku

LED-Anzeige am Akku	Mögliche Fehler	Mögliches Verfahren
Die grüne LED blinkt	Die Akkuspannung ist niedrig	Laden Sie den Akku. Siehe <i>So laden Sie den Akku auf Seite 104</i> .
Die Störungs-LED blinkt	Der Akku ist schwach	Laden Sie den Akku. Siehe <i>Akku auf Seite 108</i> .
	Die Temperatur in der Arbeitsumgebung ist zu hoch oder zu niedrig	Der Akku darf nur bei Temperaturen zwischen -10 und 40 °C verwendet werden.
	Überspannung	Kontrollieren Sie, ob die Netzspannung mit der auf dem Typenschild auf dem Produkt übereinstimmt.  Den Akku aus dem Ladegerät entnehmen. Warten Sie 5 Sekunden und versuchen Sie erneut, den Akku aufzuladen. Falls das Problem weiterbesteht, wenden Sie sich an eine autorisierte Servicewerkstatt.
Die Fehler-LED leuchtet	Zellendifferenz zu groß (1 V)	Wenden Sie sich an eine autorisierte Servicewerkstatt.

### Akkuladegerät

Die LED am Akkuladegerät	Mögliche Fehler	Mögliches Verfahren
Die Störungs-LED blinkt	Die Temperatur in der Arbeitsumgebung ist zu hoch oder zu niedrig	Das Ladegerät darf nur in Umgebungen mit Temperaturen zwischen 5 und 40 °C verwendet werden.
Die Fehler-LED leuchtet		Wenden Sie sich an eine autorisierte Servicewerkstatt

### Bedientafel

Fehlercodes (Anzahl des Blinkens)	Mögliche Fehler	Mögliches Verfahren
1	Der Motor ist zu heiß.	Lassen Sie das Gerät abkühlen. Achten Sie darauf, dass sich kein Gras auf dem Getriebe befindet. Reinigen Sie bei Bedarf den Getriebedeckel.
5	Die Motordrehzahl fällt zu stark ab und der Motor stoppt.	Reinigen Sie das Mähdeck und erhöhen Sie die Schnitthöhe. Siehe <i>So stellen Sie die Schnitthöhe ein auf Seite 104</i> . Falls der Fehler weiterbesteht, kontaktieren Sie bitte Ihre autorisierte Servicewerkstatt.
8	Der Akku ist schwach.	Laden Sie den Akku. Siehe <i>So laden Sie den Akku auf Seite 104</i> .



Fehlercodes (Anzahl des Blinkens)	Mögliche Fehler	Mögliches Verfahren
9	Akkufehler oder kein Signal vom Akku.	Setzen Sie den Akku korrekt in das Gerät ein und untersuchen Sie den Akkuanschluss. Wenn die Fehler-LED am Akku blinkt, lesen Sie <i>Akku auf Seite 104</i> .
10	Die Motorsteuerung ist zu heiß.	Schalten Sie den Motor ab und warten Sie, bis er sich abgekühlt hat.
Andere Fehler	Wenn andere Fehler auftreten, entfernen Sie den Sicherheitsschlüssel und den Akku und wenden Sie sich an eine zugelassene Servicewerkstatt.	

## Transport, Lagerung und Entsorgung

### Einleitung



**WARNUNG:** Um ein unbeabsichtigtes Starten beim Transport zu verhindern, ziehen Sie den Sicherheitsschlüssel heraus, entfernen Sie den Akku und warten Sie mindestens 5 Sekunden.

### So bringen Sie das Gerät in die Transportposition (LC 551iV)

- Lösen Sie die unteren Drehknöpfe.
- Schieben Sie die Knöpfe ans untere Ende der Nuten an der linken und rechten Seite des Geräts. (Abb. 31)
- Klappen Sie den Griff nach vorn. (Abb. 68)
- Entfernen Sie den Grasfänger.

### Transport

- Die enthaltenen Lithium-Ionen-Batterien unterliegen den gesetzlichen Bestimmungen zu gefährlichen Gütern.
- Für gewerbliche Transporte müssen besondere Anforderungen bei Verpackung und Kennzeichnung eingehalten werden.
- Stellen Sie sicher, dass Sie sich an die Vorschriften für gefährliche Güter halten, wenn Sie das Produkt für den Transport vorbereiten. Gegebenenfalls gelten örtliche Vorschriften.
- Entnehmen Sie die für den Transport stets den Akku.
- Decken Sie die Akkustecker mit Klebeband ab und stellen Sie sicher, dass der Akku sich während des Transports nicht bewegen kann.
- Sichern Sie das Produkt während des Transports.

### Lagerung

- Entnehmen Sie für die Lagerung stets den Akku.

- Stellen Sie zur Vermeidung von Unfällen sicher, dass der Akku während der Lagerung nicht an das Produkt angeschlossen bleibt.
- Bewahren Sie das Ladegerät an einem geschlossenen und trockenen Ort auf.
- Bewahren Sie den Akku und das Ladegerät an einem trockenen Ort ohne Feuchtigkeit oder Frost auf.
- Trennen Sie den Akku während der Lagerung vom Ladegerät.
- Lagern Sie den Akku nicht an einem Ort, an dem es zu elektrostatischen Entladungen kommen kann. Bewahren Sie den Akku nicht in einem Metallkasten auf.
- Lagern Sie den Akku an einem Ort mit einer Temperatur zwischen 5 und 25 °C und setzen Sie ihn nicht direkter Sonneneinstrahlung aus.
- Lagern Sie das Ladegerät an einem Ort mit einer Temperatur zwischen 5 und 45 °C und setzen Sie es nicht direkter Sonneneinstrahlung aus.
- Stellen Sie sicher, dass der Akkustand mindestens zwischen 30 und 50 % beträgt, bevor Sie das Produkt für längere Zeit einlagern.
- Bewahren Sie das Produkt, den Akku und das Ladegerät an einem verschließbaren Ort und für Kinder und unbefugte Personen unzugänglich auf.
- Reinigen Sie das Produkt und lassen Sie es vollständig warten, bevor Sie es längere Zeit einlagern.

### Entsorgung

Durch Symbole auf dem Produkt oder seiner Verpackung wird angezeigt, dass dieses Produkt nicht über den Hausmüll entsorgt werden darf. Es ist einer entsprechenden Recycling-Einrichtung zuzuführen, damit elektrische und elektronische Komponenten wiedergewonnen werden können.

Dadurch, dass Sie sicherstellen, dass Sie mit diesem Produkt sorgfältig umgehen, können Sie helfen, den potentiellen negativen Auswirkungen auf die Umwelt und Ihre Mitmenschen entgegenzuwirken, die sich

andernfalls durch eine unsachgemäße Entsorgung dieses Produkts ergeben können. Genauere Informationen über die ordnungsgemäße Entsorgung dieses Produkts erhalten Sie bei Ihrer Stadtverwaltung,

Ihrem Abfallentsorgungsunternehmen oder dem Geschäft, in dem Sie Ihr Produkt gekauft haben.

(Abb. 69)

## Technische Angaben

### Technische Daten

	LB 548I	LC 551IV
<b>Schneidmotor</b>		
Motortyp	BLDC (bürstenlos) 36 V	BLDC (bürstenlos) 36 V
Motordrehzahl – SavE, U/min*	2600	2600
Motordrehzahl – Nennwert, U/min*	3000	3000
Motordrehzahl – hohe Belastung, U/min*	3300	3300
Motorleistung – max. kW	1,8	1,8
Motorleistung – Nennwert, kW	1,5	1,5
<b>Antriebsmotor</b>		
Motorleistung – Nennwert, kW	--	0,3
Eigene Gehgeschwindigkeit, km/h	--	3,0-5,0
Anpasswerte Geschwindigkeit	--	4
<b>Gewicht</b>		
Gewicht ohne Akku, kg	31	41
<b>Akku</b>		
Akkutyp	Husqvarna Akkuserie	Husqvarna Akkuserie
<b>Akkulaufzeit</b>		
Mindest-Akkulaufzeit (Leerlauf) bei aktiviertem SavE-Modus, mit einem Husqvarna 5,2-Ah-Akku (Bli200).	40	30
Mindest-Akkulaufzeit (Leerlauf) bei aktiviertem Standardmodus, mit einem Husqvarna 5,2-Ah-Akku (Bli200).	30	20
<b>Geräuschemissionen</b> <sup>13</sup>		
Gemessener Schallleistungspegel dB (A)	93	97
Schallleistungspegel, garantiert L <sub>WA</sub> dB (A)	93	97
<b>Lautstärke</b> <sup>14</sup>		
Schalldruckpegel am Ohr des Bedieners, dB (A)	80	84
<b>Vibrationswerte</b> <sup>15</sup>		

<sup>13</sup> Umweltbelastende Geräuschemissionen, gemessen als Schallleistung (L<sub>WA</sub>) gemäß EG-Richtlinie 2000/14/EG.

<sup>14</sup> Berichten zufolge liegt der Schalldruckpegel normalerweise bei einer Ausbreitungsklasse (Standardabweichung) von 1,2 dB (A).

<sup>15</sup> Berichten zufolge liegt der Vibrationspegel normalerweise bei einer Ausbreitungsklasse (Standardabweichung) von 0,2 m/s<sup>2</sup>. Norm EN 60335-2-77:2017, Kapitel 20.105

	<b>LB 548i</b>	<b>LC 551iV</b>
Griff, m/s <sup>2</sup>	0,3	0,3
<b>Schneidausrüstung</b>		
Schnitthöhe	20-75	20-75
Schnittbreite, cm	48	51
Klinge, Standard	Mulchmesser 597466510	Sammelklinge 597466310
Klingenzubehör	k. A.	Mulchmesser 597466410
Grasfängervolumen, l	k. A.	65

\* Umdrehungen pro Minute

Zugelassene Akkus	Typ	Akkukapazität, Ah	Spannung, V	Gewicht (kg)
BLi20	Lithium-Ionen	4,0	36	2,6/1,2
BLi200	Lithium-Ionen	5,2	36	2,8/1,3
BLi300	Lithium-Ionen	9,4	36	4,1/1,9
BLi550X	Lithium-Ionen	15,6	36	12,4/5,6
BLi950X	Lithium-Ionen	31,1	36	15,4/7,0

Zugelassene Ladegeräte für die angegebenen Akkus, BLi	Eingangsspannung, V	Frequenz, Hz	Leistung, W
QC80	100–240	50–60	80
QC80F	12	0	80
QC330	100–240	50–60	330
QC500	100–240	50–60	500

---

# EG-Konformitätserklärung

---

## EG-Konformitätserklärung

**Husqvarna AB**, SE-561 82 Huskvarna, Schweden, Tel.: +46-36-146500 versichert, dass die **Rasenmäher Husqvarna LB 548i, LC 551iV** ab dem Jahr 2019 den Vorschriften folgender RICHTLINIE DES RATES entsprechen:

- Richtlinie zur „Beschränkung der Verwendung bestimmter gefährlicher Stoffe“, **2011/65/EU** vom 8. Juni 2011
- „Maschinen-Richtlinie“ **2006/42/EG** vom 17. Mai 2006
- Richtlinie „über elektromagnetische Verträglichkeit“, **2014/30/EU** vom 26. Februar 2014
- „Richtlinie über umweltbelastende Geräuschemissionen von zur Verwendung im Freien vorgesehenen Geräten und Maschinen“ **2000/14/EG** vom 8. Mai 2000

Informationen zu Geräuschemissionen finden Sie in den technischen Daten.

Die folgenden Normen werden erfüllt:

**IEC 60335-1:2010, IEC 60335-2-77:2002, EN 60335-1:2012, EN 60335-2-77:2010 EN/IEC 62233:2008 EN 61000-6-3:2005 EN 61000-6-1:2005**

Sofern nicht anders angegeben, sind die oben genannten Normen die neuesten veröffentlichten Versionen.

Die angemeldete Prüfstelle **0404, RISE SMP Svensk Maskinprovning AB, Box 7035, SE-750 07 Uppsala** hat die Konformitätsbewertung gemäß Anlage VI zur Richtlinie 2000/14/EG durchgeführt und ein Zertifikat folgender Nummer ausgestellt: 01/901/324 (LB 548i), 01/901/323 (LC 551iV)

Huskvarna, 2020-01-20



Claes Losdal, Entwicklungsleiter/Gartenprodukte  
(Bevollmächtigter Vertreter für Husqvarna AB,  
verantwortlich für die technische Dokumentation)

---

## Περιεχόμενα

---

Εισαγωγή.....	113	Αντιμετώπιση προβλημάτων.....	130
Ασφάλεια.....	115	Μεταφορά, αποθήκευση και απόρριψη.....	131
Συναρμολόγηση.....	124	Τεχνικά στοιχεία.....	132
Λειτουργία.....	125	Δήλωση Συμμόρφωσης ΕΚ.....	135
Συντήρηση.....	128		

---

## Εισαγωγή

---

### Περιγραφή προϊόντος

Το προϊόν είναι ένα χλοοκοπτικό γκαζόν πεζού χειριστή με κύλινδρο. Το μοντέλο LB 548i χρησιμοποιεί το σύστημα κοπής χορτολιπάσματος BioClip για να κόψει το γρασίδι σε σύνθεση λιπάσματος.

Το μοντέλο LC 551iV συλλέγει το γρασίδι σε έναν συλλέκτη χόρτου. Αφαιρέστε το συλλέκτη χόρτου για να

εξαγάγετε το χόρτο από την πίσω πλευρά. Συνδέστε ένα κιτ κοπής χορτολιπάσματος (παρελκόμενο) για κοπή του γρασιδιού σε σύνθεση λιπάσματος.

### Προβλεπόμενη χρήση

Χρησιμοποιήστε το προϊόν για κοπή γρασιδιού σε ιδιωτικούς κήπους. Μην χρησιμοποιείτε το προϊόν για άλλες εργασίες.

### Επισκόπηση προϊόντος

(Εικ. 1)

1. Ταμπλό ελέγχου
2. Λαβή φρένου κινητήρα
3. Αναστολέας εκκίνησης
4. Συλλέκτης χόρτου (LC 551iV)
5. Πίσω κάλυμμα (LC 551iV)
6. Κλειδί ασφαλείας
7. Χειρόβιδα λαβής (LC 551iV)
8. Μοχλός ρύθμισης λαβής (LB 548i)
9. Κάλυμμα μπαταρίας
10. Χειριστήριο ύψους κοπής (LC 551iV)
11. Κουμπί ON/OFF
12. Κουμπί λειτουργίας εξοικονόμησης SavE
13. Ένδειξη λειτουργίας εξοικονόμησης SavE
14. Ένδειξη μπαταρίας
15. Ένδειξη επιπέδου ταχύτητας
16. Κουμπί μείωσης ταχύτητας
17. Κουμπί αύξησης ταχύτητας
18. Λυχνία LED σφάλματος
19. Κάλυμμα κοπής
20. Στόμια εισαγωγής αέρα
21. Πινακίδα στοιχείων
22. Ασφάλεια οδήγησης (LC 551iV)
23. Φορτιστής μπαταρίας (αξεσουάρ)
24. Μπαταρία (αξεσουάρ)
25. Πολυμπαταρία (παρελκόμενο)
26. Πλάκα προσαρμογής (παρελκόμενο)
27. Προσαρμογέας πολυμπαταρίας (παρελκόμενο)
28. Εγχειρίδιο χρήσης

### Σύμβολα στο προϊόν

(Εικ. 2)

**ΠΡΟΕΙΔΟΠΟΙΗΣΗ:** Αυτό το προϊόν μπορεί να είναι επικίνδυνο και να προκαλέσει σοβαρό τραυματισμό ή θάνατο του χειριστή ή άλλων ατόμων. Να είστε προσεκτικοί και να χρησιμοποιείτε το προϊόν σωστά.

(Εικ. 3)

Διαβάστε προσεκτικά το εγχειρίδιο χρήσης και βεβαιωθείτε ότι έχετε κατανοήσει τις οδηγίες προτού χρησιμοποιήσετε αυτό το προϊόν.

(Εικ. 4)

Διατηρήστε τα άλλα άτομα και τα ζώα σε απόσταση

ασφαλείας από την περιοχή εργασίας.

(Εικ. 5) Προσέχετε για αντικείμενα που μπορεί να εκτοξευθούν ή να εξοστρακιστούν.

(Εικ. 6) Προειδοποίηση: Να διατηρείτε τα χέρια και τα πόδια σας μακριά από την περιστρεφόμενη λεπίδα.

(Εικ. 7) Προειδοποίηση: Να διατηρείτε τα χέρια και τα πόδια σας μακριά από κινούμενα μέρη.

(Εικ. 8) Αφαιρέστε το κλειδί ασφαλείας προτού εκτελέσετε εργασίες επισκευής ή συντήρησης.

(Εικ. 9) **Περιβαλλοντική σήμανση.** Το προϊόν ή η συσκευασία του προϊόντος δεν αποτελεί οικιακό απόρριμμα. Ανακυκλώστε το σε εγκεκριμένη τοποθεσία απόρριψης ηλεκτρικού και ηλεκτρονικού εξοπλισμού.

(Εικ. 10) Το προϊόν συμμορφώνεται με τις ισχύουσες οδηγίες ΕΚ.

(Εικ. 11) Το προϊόν συμμορφώνεται με τις ισχύουσες οδηγίες της

Ευρασιατικής Τελωνειακής Ένωσης.

(Εικ. 12) Το προϊόν συμμορφώνεται με τις ισχύουσες οδηγίες της UkrSEPRO.

(Εικ. 13) Το προϊόν συμμορφώνεται με τις οδηγίες της ACA (σήμανση RCM). Ισχύει για Αυστραλία/Νέα Ζηλανδία μόνο

(Εικ. 14) Οι εκπομπές θορύβου στο περιβάλλον συμμορφώνονται με τις ισχύουσες οδηγίες ΕΚ. Οι εκπομπές θορύβου από το προϊόν υποδεικνύονται στην ενότητα *Τεχνικά στοιχεία στη σελίδα 132* και στην ετικέτα.

**IPX4** Προστασία από πιτσιλισμάτα νερού.

**IPX4**

(Εικ. 19) Διαδικασία εκκίνησης: Πατήστε το κουμπί ON/OFF, χαλαρώστε τον αναστολέα εκκίνησης, πιέστε προς τα κάτω τη λαβή του φρένου κινητήρα.

(Εικ. 15) Για να διακόψετε τη λειτουργία, αφήστε τη λαβή του φρένου κινητήρα.

(Εικ. 16) Αργά

(Εικ. 17) Γρήγορα

(Εικ. 18) Κωδικός με δυνατότητα σάρωσης

**Περιεχόμενα** Άλλα σύμβολα/σήματα που υπάρχουν στο προϊόν αναφέρονται σε απαιτήσεις πιστοποίησης για ορισμένες αγορές.

## Ετικέτα στο προϊόν

(Εικ. 20)

Φροντίστε τα χέρια και τα πόδια σας να βρίσκονται μακριά από τις περιστρεφόμενες λεπίδες.

## Ευθύνη προϊόντος

Όπως αναφέρεται στη νομοθεσία περί ευθύνης για τα προϊόντα, δεν φέρουμε καμία ευθύνη για ζημιές που οφείλονται στο προϊόν μας εάν:

- Το προϊόν έχει επισκευαστεί λανθασμένα.
- Το προϊόν έχει επισκευαστεί με εξαρτήματα που δεν προέρχονται από τον κατασκευαστή ή που δεν έχουν εγκριθεί από τον κατασκευαστή.
- Το προϊόν διαθέτει ένα αξεσουάρ που δεν προέρχεται από τον κατασκευαστή ή που δεν έχει εγκριθεί από τον κατασκευαστή.
- Το προϊόν δεν έχει επισκευαστεί σε εγκεκριμένο κέντρο σέρβις ή από εγκεκριμένη αρχή.

## Ασφάλεια

### Ορισμοί για την ασφάλεια

Για την επισήμανση ειδικών σημαντικών τμημάτων του εγχειριδίου χρησιμοποιούνται προειδοποιήσεις, συστάσεις προσοχής και σημειώσεις.



#### **ΠΡΟΕΙΔΟΠΟΙΗΣΗ:**

Χρησιμοποιείται όταν υπάρχει κίνδυνος τραυματισμού ή θανάτου του χειριστή ή άλλων παριστάμενων ατόμων, αν δεν τηρηθούν οι οδηγίες που παρέχονται στο εγχειρίδιο.



#### **ΠΡΟΣΟΧΗ:**

Χρησιμοποιείται όταν υπάρχει κίνδυνος πρόκλησης ζημιάς στο προϊόν, σε άλλα υλικά ή στον παρακείμενο χώρο, αν δεν τηρηθούν οι

οδηγίες που παρέχονται στο εγχειρίδιο.

**Περιεχόμενα** Χρησιμοποιείται για παροχή περισσότερων πληροφοριών, οι οποίες χρειάζονται σε μια δεδομένη κατάσταση.

### Γενικές οδηγίες ασφαλείας



#### **ΠΡΟΕΙΔΟΠΟΙΗΣΗ:**

Προτού χρησιμοποιήσετε το προϊόν, διαβάστε τις παρακάτω προειδοποιητικές οδηγίες.

- Αυτό το προϊόν είναι επικίνδυνο αν δεν χρησιμοποιηθεί σωστά ή αν δεν είστε προσεκτικοί. Αν δεν τηρείτε τις οδηγίες ασφαλείας, μπορεί να προκληθεί τραυματισμός ή θάνατος.

- Αυτό το προϊόν παράγει ηλεκτρομαγνητικό πεδίο κατά τη λειτουργία του. Το πεδίο αυτό, υπό ορισμένες συνθήκες, μπορεί να προκαλέσει παρεμβολές σε ενεργά ή παθητικά ιατρικά εμφυτεύματα. Για να μειωθεί ο κίνδυνος σοβαρών ή θανατηφόρων τραυματισμών, συνιστούμε στα άτομα με ιατρικά εμφυτεύματα να συμβουλευονται το θεράποντα ιατρό τους και τον κατασκευαστή του ιατρικού εμφυτεύματος, προτού θέσουν το προϊόν σε λειτουργία.
- Πρέπει πάντα να προσέχετε και να χρησιμοποιείτε την κοινή λογική. Αν δεν είστε βέβαιοι πώς να χειριστείτε το προϊόν σε μια ιδιαίτερη κατάσταση, σταματήστε και μιλήστε με τον αντιπρόσωπο της Husqvarna προτού συνεχίσετε.
- Πρέπει να θυμάστε ότι ο χειριστής θεωρείται υπεύθυνος για ατυχήματα που μπορεί να προκληθούν σε άλλα άτομα ή στην παρουσία τους.
- Να διατηρείτε το προϊόν καθαρό. Βεβαιωθείτε ότι μπορείτε να διαβάσετε καθαρά τις ενδείξεις και τα σήματα.
- Μην επιτρέπεται ποτέ σε παιδιά ή άλλα άτομα, που δεν έχουν

εξοικειωθεί με αυτές τις οδηγίες, να χρησιμοποιήσουν τη συσκευή. Οι τοπικές διατάξεις μπορεί να θέτουν περιορισμούς στην ηλικία του χρήστη

- Αν το προϊόν χρησιμοποιείται από ένα άτομο με μειωμένη σωματική ή διανοητική ικανότητα, θα πρέπει πάντα να το επιβλέπετε. Πρέπει να είναι παρών ένας υπεύθυνος ενήλικας ανά πάσα στιγμή.
- Μην χρησιμοποιείτε το προϊόν αν είστε κουρασμένοι, άρρωστοι ή υπό την επήρεια αλκοόλ, ναρκωτικών ή φαρμάκων. Αυτά έχουν αρνητικές συνέπειες στην όραση, την αυτοσυγκέντρωση, τον συντονισμό και την κρίση σας.
- Μην χρησιμοποιείτε το προϊόν αν είναι ελαττωματικό.
- Μην τροποποιείτε το προϊόν και μην το χρησιμοποιείτε αν είναι εμφανές ότι έχει τροποποιηθεί από άλλους.

## Ασφάλεια στο χώρο εργασίας



### ΠΡΟΕΙΔΟΠΟΙΗΣΗ:

Προτού χρησιμοποιήσετε το προϊόν, διαβάστε τις παρακάτω προειδοποιητικές οδηγίες.



- Αφαιρέστε αντικείμενα όπως κλαδιά, κλωνάρια και πέτρες από την περιοχή εργασίας πριν χρησιμοποιήσετε το προϊόν.
- Τα αντικείμενα που χτυπούν πάνω στον εξοπλισμό κοπής μπορεί να πεταχτούν και να προκαλέσουν ζημιές σε πρόσωπα και αντικείμενα. Να διατηρείτε τους παρευρισκόμενους και τα ζώα σε απόσταση ασφαλείας από το προϊόν.
- Μην χρησιμοποιείτε ποτέ το προϊόν σε κακές καιρικές συνθήκες, όπως ομίχλη, βροχή, ισχυρό άνεμο, έντονο κρύο και κίνδυνο κεραυνού. Η χρήση του προϊόντος σε κακές καιρικές συνθήκες, σε συνθήκες υγρασίας ή σε υγρές τοποθεσίες είναι εξαιρετικά κουραστική. Οι κακές καιρικές συνθήκες μπορεί να προκαλέσουν επικίνδυνες καταστάσεις, όπως ολισθηρές επιφάνειες.
- Να προσέχετε για πρόσωπα, αντικείμενα και καταστάσεις που μπορεί να αποτρέψουν την ασφαλή λειτουργία του προϊόντος.
- Να προσέχετε για εμπόδια, όπως ρίζες, πέτρες, κλωνάρια, λακκούβες και χαντάκια. Το μακρύ γρασίδι μπορεί να κρύβει εμπόδια.
- Η κοπή χόρτου σε πλαγιές μπορεί να είναι επικίνδυνη. Μην εκτελείτε χλοοκοπή σε υπερβολικά απότομες πλαγιές. Μην χρησιμοποιείτε το προϊόν σε πλαγιές με κλίση πάνω από 15°.
- Απαιτείται ιδιαίτερη προσοχή κατά την αλλαγή κατεύθυνσης σε πλαγιές. Να κατευθύνετε το προϊόν κατά πλάτος στις επιφάνειες με κλίση. Να μην μετακινείστε προς τα πάνω και προς τα κάτω.
- Να είστε ιδιαίτερα προσεκτικοί κοντά σε κρυφές γωνίες και αντικείμενα που εμποδίζουν το οπτικό σας πεδίο.

## Ασφάλεια στην εργασία



### ΠΡΟΕΙΔΟΠΟΙΗΣΗ:

Προτού χρησιμοποιήσετε το προϊόν, διαβάστε τις παρακάτω προειδοποιητικές οδηγίες.

- Να χρησιμοποιείτε το προϊόν μόνο για την κοπή χόρτου γκαζόν. Δεν επιτρέπεται η χρήση του για άλλες εργασίες.
- Χρησιμοποιείτε ατομικό προστατευτικό εξοπλισμό. Ανατρέξτε στην ενότητα

*Προσωπικός εξοπλισμός  
προστασίας στη σελίδα 119.*

- Βεβαιωθείτε ότι γνωρίζετε πώς να σταματήσετε τον κινητήρα γρήγορα σε περίπτωση έκτακτης ανάγκης.
- Μην χρησιμοποιείτε το προϊόν σε συνθήκες βροχής ή υγρασίας. Αν εισέλθει νερό στο προϊόν, αυξάνεται ο κίνδυνος ηλεκτροπληξίας.
- Μην λειτουργείτε το προϊόν αν δεν είναι σωστά συνδεδεμένη η λεπίδα και όλα τα καλύμματα. Αν η λεπίδα δεν είναι σωστά συνδεδεμένη, μπορεί να χαλαρώσει και να προκληθεί προσωπικός τραυματισμός.
- Να βεβαιώνετε ότι ο δίσκος δεν χτυπάει αντικείμενα, όπως πέτρες και ρίζες. Αυτό μπορεί να προκαλέσει ζημιά στη λεπίδα και να λυγίσει τον άξονα του κινητήρα. Ο λυγισμένος άξονας προκαλεί ισχυρή δόνηση και πολύ υψηλό κίνδυνο χαλάρωσης της λεπίδας.
- Σε περίπτωση πρόσκρουσης της λεπίδας σε αντικείμενο ή αν διαπιστώσετε κραδασμούς, διακόψτε αμέσως τη λειτουργία του προϊόντος. Σβήστε το μοτέρ, τραβήξτε προς τα πάνω το κλειδί ασφαλείας και αφαιρέστε την μπαταρία.

- Ελέγξτε το προϊόν για ζημιές. Επισκευάστε τις ζημιές ή αναθέστε την επισκευή σε έναν εξουσιοδοτημένο αντιπρόσωπο σέρβις.
- Μην συνδέετε ποτέ μόνιμα τη λαβή φρένου του κινητήρα στη λαβή όταν έχει εκκινηθεί ο κινητήρας.
  - Τοποθετήστε το προϊόν σε μια σταθερή, επίπεδη επιφάνεια και εκκινήστε το. Να βεβαιώνετε ότι η λεπίδα δεν χτυπάει στο έδαφος ή σε άλλα αντικείμενα.
  - Να παραμένετε πάντα πίσω από το προϊόν κατά τη λειτουργία.
  - Κατά τη λειτουργία του προϊόντος, θα πρέπει όλοι οι τροχοί να ακουμπούν στο έδαφος και να διατηρείτε και τα 2 χέρια πάνω στη λαβή. Διατηρήστε τα χέρια και τα πόδια σας μακριά από τις περιστρεφόμενες λεπίδες.
  - Μην γέρνετε το προϊόν όταν έχει εκκινηθεί ο κινητήρας.
  - Να είστε προσεκτικοί όταν τραβάτε το προϊόν προς τα πίσω.
  - Μην ανασηκώνετε ποτέ το προϊόν όταν έχει εκκινηθεί ο κινητήρας. Αν πρέπει να ανασηκώσετε το προϊόν, σβήστε πρώτα το μοτέρ,

τραβήξτε προς τα πάνω το κλειδί ασφαλείας και αφαιρέστε την μπαταρία.

- Μην περπατάτε προς τα πίσω όταν χρησιμοποιείτε το προϊόν.
- Σβήστε τον κινητήρα όταν κινείστε σε περιοχές χωρίς χόρτα, για παράδειγμα μονοπάτια από χαλίκι, πέτρα και άσφαλτο.
- Μην τρέχετε με το προϊόν όταν έχει εκκινήσει ο κινητήρας. Να περπατάτε πάντα προς τα εμπρός όταν χρησιμοποιείτε το προϊόν.
- Σβήστε τον κινητήρα προτού αλλάξετε το ύψος κοπής. Μην προβαίνετε ποτέ σε ρυθμίσεις ενώ έχει εκκινήσει ο κινητήρας.
- Μην αφήνετε ποτέ το προϊόν εκτός του οπτικού σας πεδίου ενώ έχει εκκινήσει ο κινητήρας. Βεβαιωθείτε ότι ο εξοπλισμός κοπής δεν περιστρέφεται, προτού σβήσετε τον κινητήρα.

Οδηγίες ασφαλείας για τη λειτουργία

### Προσωπικός εξοπλισμός προστασίας



#### ΠΡΟΕΙΔΟΠΟΙΗΣΗ:

Προτού χρησιμοποιήσετε το προϊόν, διαβάστε τις παρακάτω προειδοποιητικές οδηγίες.

- Ο προσωπικός εξοπλισμός προστασίας δεν μπορεί να εξαλείψει τον κίνδυνο τραυματισμών, ωστόσο μειώνει τη σοβαρότητά τους σε περίπτωση ατυχήματος. Ο αντιπρόσωπος θα σας βοηθήσει να επιλέξετε το σωστό εξοπλισμό.
- Να χρησιμοποιείτε αντιολισθητικές μπότες ή παπούτσια βαρέος τύπου. Να μην χρησιμοποιείτε το προϊόν με ανοιχτά παπούτσια ή ξυπόλυτοι.
- Χρησιμοποιήστε χοντρά, μακριά παντελόνια.
- Όταν χρειάζεται, να χρησιμοποιείτε προστατευτικά γάντια, για παράδειγμα κατά την τοποθέτηση, την επιθεώρηση ή τον καθαρισμό του εξοπλισμού κοπής.

### Συσκευές ασφαλείας στο προϊόν



#### ΠΡΟΕΙΔΟΠΟΙΗΣΗ:

Προτού χρησιμοποιήσετε το προϊόν, διαβάστε τις παρακάτω προειδοποιητικές οδηγίες.

- Μην χρησιμοποιείτε ποτέ το προϊόν, αν υπάρχουν ελαττωματικές συσκευές ασφαλείας.

- Πρέπει να κάνετε τακτικά έλεγχο των συσκευών ασφαλείας. Αν οι συσκευές ασφαλείας είναι ελαττωματικές, απευθυνθείτε στον αντιπρόσωπο σέρβις της Husqvarna.

### Για τον έλεγχο του καλύμματος κοπής

Το κάλυμμα κοπής μειώνει τους κραδασμούς στο προϊόν και μειώνεται ο κίνδυνος τραυματισμού από τη λεπίδα.

- Εξετάστε το κάλυμμα κοπής για να βεβαιωθείτε ότι δεν υπάρχουν φθορές όπως ρωγμές.

### Κλειδί ασφαλείας

Το κλειδί ασφαλείας βρίσκεται κάτω από το καπάκι της μπαταρίας. Το κλειδί ασφαλείας συνδέει την μπαταρία που τροφοδοτεί με ρεύμα τον κινητήρα.

### Έλεγχος του κλειδιού ασφαλείας

Το κλειδί ασφαλείας συνδέει την μπαταρία που τροφοδοτεί με ρεύμα τον κινητήρα.

- Θέστε σε λειτουργία και κατόπιν σβήστε το μοτέρ. Αν το κλειδί ασφαλείας λειτουργεί σωστά, το μοτέρ θα μπορεί να τεθεί σε λειτουργία μόνο όταν

το κλειδί βρίσκεται στην κλειδαριά ασφαλείας.

### Λαβή φρένου κινητήρα

Χρησιμοποιήστε τη λαβή φρένου του κινητήρα, για να σβήσετε τον κινητήρα. Εάν απελευθερώσετε τη λαβή φρένου του κινητήρα, ο κινητήρας σβήνει.

Για να ελέγξετε το φρένο του κινητήρα, εκκινήστε τον κινητήρα και, στη συνέχεια, απελευθερώστε τη λαβή φρένου του κινητήρα. Αν ο κινητήρας δεν σβήσει εντός 3 δευτερολέπτων, απευθυνθείτε σε έναν εγκεκριμένο αντιπρόσωπο σέρβις της Husqvarna για τη ρύθμιση του φρένου του κινητήρα.

(Εικ. 21)

### Έλεγχος αναστολέα εκκίνησης

Ελέγξτε τον αναστολέα εκκίνησης για να βεβαιωθείτε ότι εμποδίζει τη λειτουργία του κινητήρα.

1. Σπρώξτε τη λαβή φρένου του κινητήρα προς την κατεύθυνση της χειρολαβής. Ο αναστολέας εκκίνησης σταματά να κινείται.

2. Σπρώξτε τον αναστολέα εκκίνησης προς τα έξω. (Εικ. 22)
3. Αφήστε τον αναστολέα εκκίνησης και βεβαιωθείτε ότι επιστρέφει στην αρχική του θέση.

## Ασφάλεια μπαταρίας



### ΠΡΟΕΙΔΟΠΟΙΗΣΗ:

Προτού χρησιμοποιήσετε το προϊόν, διαβάστε τις παρακάτω προειδοποιητικές οδηγίες.

- Χρησιμοποιείτε επαναφορτιζόμενες μπαταρίες της Husqvarna ως πηγή ηλεκτρικής ισχύος μόνο για τα σχετικά προϊόντα της Husqvarna. Για την αποφυγή τραυματισμών, μην χρησιμοποιείτε την μπαταρία ως πηγή ηλεκτρικής ισχύος για άλλες συσκευές.
- Μην χρησιμοποιείτε μη επαναφορτιζόμενες μπαταρίες.
- Κίνδυνος ηλεκτροπληξίας. Μη συνδέετε τους ακροδέκτες της μπαταρίας σε κλειδιά, νομίσματα, βίδες ή άλλα μεταλλικά αντικείμενα. Αυτό μπορεί να προκαλέσει βραχυκύκλωμα της μπαταρίας.
- Μην τοποθετείτε αντικείμενα μέσα στις εγκοπές αερισμού της μπαταρίας.
- Διατηρείτε την μπαταρία μακριά από την ηλιακή ακτινοβολία, τη θερμότητα ή τις γυμνές φλόγες. Η μπαταρία μπορεί να εκραγεί και να προκαλέσει εγκαύματα ή/και χημικά εγκαύματα.
- Διατηρείτε την μπαταρία μακριά από συνθήκες βροχής και υγρασίας.
- Διατηρείτε την μπαταρία μακριά από πηγές μικροκυμάτων και υψηλής πίεσης.
- Μην προσπαθήσετε να αποσυναρμολογήσετε ή να διαλύσετε την μπαταρία.
- Αν η μπαταρία εμφανίσει διαρροή, φροντίστε το υγρό να μην έρθει σε επαφή με το δέρμα ή τα μάτια σας. Αν έρθετε σε επαφή με το υγρό, καθαρίστε την περιοχή με μεγάλη ποσότητα νερού και ζητήστε ιατρική βοήθεια.
- Χρησιμοποιείτε την μπαταρία σε θερμοκρασίες μεταξύ -10 °C και 40 °C.
- Μην καθαρίζετε την μπαταρία ή το φορτιστή μπαταρίας με νερό. Ανατρέξτε στην ενότητα *Για να καθαρίσετε την*

*μπαταρία και το φορτιστή μπαταρίας στη σελίδα 130.*

- Μην χρησιμοποιείτε ελαττωματικές ή κατεστραμμένες μπαταρίες.
- Φυλάσσετε τις μπαταρίες μακριά από μεταλλικά αντικείμενα, όπως καρφιά, νομίσματα και κοσμήματα.

## Ασφάλεια φορτιστή μπαταρίας



### ΠΡΟΕΙΔΟΠΟΙΗΣΗ:

Προτού χρησιμοποιήσετε το προϊόν, διαβάστε τις παρακάτω προειδοποιητικές οδηγίες.

- Χρησιμοποιείτε τους φορτιστές μπαταρίας QC για να φορτίζετε μόνο τις ανταλλακτικές μπαταρίες της Husqvarna.
- Κίνδυνος ηλεκτροπληξίας ή βραχυκυκλώματος. Μην τοποθετείτε αντικείμενα μέσα στις εγκοπές αερισμού του φορτιστή. Μην επιχειρείτε να αποσυναρμολογήσετε το φορτιστή μπαταρίας. Μην συνδέετε ποτέ τους ακροδέκτες του φορτιστή σε μεταλλικά αντικείμενα. Χρησιμοποιήστε μια εγκεκριμένη πρίζα.
- Αυτό το προϊόν παράγει ηλεκτρομαγνητικό πεδίο κατά

τη λειτουργία του. Το πεδίο αυτό, υπό ορισμένες συνθήκες, μπορεί να προκαλέσει παρεμβολές σε ενεργά ή παθητικά ιατρικά εμφυτεύματα. Προκειμένου να μειωθεί ο κίνδυνος παθήσεων που μπορεί να προκαλέσουν τραυματισμό ή θάνατο, συνιστούμε στα άτομα με ιατρικά εμφυτεύματα να συμβουλευτούν το θεράποντα ιατρό τους και τον κατασκευαστή του ιατρικού εμφυτεύματος, πριν να θέσουν το προϊόν σε λειτουργία.

- Να βεβαιώνετε τακτικά ότι το καλώδιο ρεύματος του φορτιστή της μπαταρίας δεν έχει υποστεί ζημιά και ότι δεν παρουσιάζει ρωγμές.
- Μην σηκώνετε το φορτιστή μπαταρίας από το καλώδιο ρεύματος. Για να αποσυνδέσετε το φορτιστή της μπαταρίας από την πρίζα, τραβήξτε το βύσμα. Μην τραβάτε το καλώδιο.
- Διατηρείτε το καλώδιο ρεύματος και το καλώδιο επέκτασης μακριά από νερό, λάδι και αιχμηρές γωνίες. Βεβαιωθείτε ότι το καλώδιο δεν έχει μαγκώσει σε πόρτες, φράκτες ή παρόμοια σημεία. Μπορεί να προκληθεί κίνδυνος

- τροφοδοσίας ρεύματος στο φορτιστή.
- Μην καθαρίζετε τον φορτιστή μπαταρίας με νερό.
  - Ο φορτιστής της μπαταρίας μπορεί να χρησιμοποιηθεί από παιδιά ηλικίας από 8 ετών και άνω και από άτομα με περιορισμένες σωματικές, αισθητήριες ή διανοητικές ικανότητες ή από άτομα χωρίς εμπειρία και γνώση, εφόσον τον χρησιμοποιούν υπό επιτήρηση ή έχουν λάβει οδηγίες σχετικά με την ασφαλή χρήση του και κατανοούν τους κινδύνους που ενέχονται. Τα παιδιά δεν πρέπει να παίζουν με το φορτιστή της μπαταρίας. Τα παιδιά δεν πρέπει να εκτελούν εργασίες καθαρισμού και συντήρησης χωρίς επίβλεψη.
  - Μην φορτίζετε μη επαναφορτιζόμενες μπαταρίες με το φορτιστή της μπαταρίας.
  - Μη χρησιμοποιείτε το φορτιστή μπαταρίας κοντά σε εύφλεκτα υλικά ή υλικά που μπορούν να προκαλέσουν διάβρωση. Μην καλύπτετε το φορτιστή μπαταρίας. Σε περίπτωση έκλυσης καπνού ή πυρκαγιάς, βγάλτε το φορτιστή μπαταρίας από την πρίζα.

- Μη χρησιμοποιείτε φορτιστή μπαταρίας που παρουσιάζει ελάττωμα ή έχει υποστεί ζημιά.
- Φορτίζετε την μπαταρία μόνο σε εσωτερικό και καλά αεριζόμενο χώρο μακριά από την ηλιακή ακτινοβολία. Μην φορτίζετε την μπαταρία σε συνθήκες υγρασίας.

## Οδηγίες ασφαλείας για τη συντήρηση



### ΠΡΟΕΙΔΟΠΟΙΗΣΗ:

Προτού χρησιμοποιήσετε το προϊόν, διαβάστε τις παρακάτω προειδοποιητικές οδηγίες.

- Προτού εκτελέσετε εργασίες συντήρησης στο προϊόν, αφαιρέστε το κλειδί ασφαλείας.
- Να εκτελείτε σωστά τις εργασίες συντήρησης για να αυξήσετε τη διάρκεια ζωής του προϊόντος και να μειώσετε τον κίνδυνο ατυχημάτων. Να αναθέτετε τις επαγγελματικές επισκευές σε έναν εγκεκριμένο αντιπρόσωπο σέρβις. Επικοινωνήστε με τον πλησιέστερο αντιπρόσωπο σέρβις για περισσότερες πληροφορίες.
- Να πραγματοποιείτε μόνο τις εργασίες συντήρησης που

περιλαμβάνονται στο παρόν εγχειρίδιο χρήσης.

- Φοράτε ανθεκτικά γάντια όταν χρησιμοποιείτε τον εξοπλισμό κοπής. Η λεπίδα είναι πολύ κοφτερή και μπορεί εύκολα να κοπείτε.
- Διατηρείτε την κοπτική ακμή αιχμηρή και καθαρή για καλύτερη απόδοση και μεγαλύτερη ασφάλεια.
- Να αναθέτετε στον αντιπρόσωπο σέρβις να ελέγχει συχνά το προϊόν και να κάνει τις απαραίτητες ρυθμίσεις και επισκευές.
- Να αντικαθιστάτε τυχόν κατεστραμμένα, φθαρμένα ή σπασμένα εξαρτήματα.

- Τηρείτε τις οδηγίες για την αλλαγή των αξεσουάρ. Χρησιμοποιήστε μόνο αξεσουάρ του κατασκευαστή.
- Αποθηκεύετε το προϊόν, την μπαταρία και τον φορτιστή μπαταρίας ξεχωριστά σε κλειδωμένο εσωτερικό χώρο χωρίς υγρασία, όταν δεν τα χρησιμοποιείτε. Βεβαιωθείτε ότι τα παιδιά και τα μη εξουσιοδοτημένα άτομα δεν έχουν πρόσβαση στο προϊόν, την μπαταρία ή τον φορτιστή μπαταρίας.

---

## Συναρμολόγηση

---

### Εισαγωγή



**ΠΡΟΕΙΔΟΠΟΙΗΣΗ:** Προτού συναρμολογήσετε το προϊόν, διαβάστε και κατανοήστε το κεφάλαιο για την ασφάλεια.

### Τοποθέτηση και αφαίρεση της πολυμπαταρίας (παρελκόμενο)

1. Αφαιρέστε τα 4 ελαστικά καλύμματα και τις 4 βίδες από το κάλυμμα του μοτέρ. (Εικ. 23)
2. Τοποθετήστε την πλάκα προσαρμογής πάνω στο κάλυμμα του μοτέρ.
3. Στερεώστε την πλάκα προσαρμογής με τις 4 παρεχόμενες βίδες χρησιμοποιώντας ροπή 5-6 Nm. (Εικ. 24)
4. Ανοίξτε το καπάκι της μπαταρίας.
5. Αφαιρέστε την μπαταρία από την υποδοχή 1. (Εικ. 25)
6. Αφαιρέστε το στοπ σφράγισης. (Εικ. 26)
7. Σπρώξτε τον προσαρμογέα μπαταρίας μέσα στη θήκη της μπαταρίας μέχρι να ακούσετε ένα κλικ. (Εικ. 27)

8. Περάστε το καλώδιο του προσαρμογέα μπαταρίας μέσα από την οπή του στοπ σφράγισης. Στερεώστε το καλώδιο με το κλιπ. (Εικ. 28)
9. Τοποθετήστε την πολυμπαταρία επάνω στον προσαρμογέα μπαταρίας.
10. Συνδέστε την πολυμπαταρία στον προσαρμογέα μπαταρίας. (Εικ. 29)
11. Στερεώστε το καλώδιο του προσαρμογέα μπαταρίας στη λαβή με τους 3 υφασμάτινους ιμάντες. (Εικ. 30)
12. Αφαιρέστε την πολυμπαταρία ακολουθώντας την αντίστροφη σειρά.



**ΠΡΟΕΙΔΟΠΟΙΗΣΗ:** Μην στερεώνετε το καλώδιο πολύ χαλαρά στη λαβή. Το καλώδιο μπορεί να βγει από τη λαβή και να προκαλέσει τραυματισμό.

### Συναρμολόγηση της λαβής (LC 551IV)

1. Χαλαρώστε τις κάτω χειρόβιδες.
2. Μετακινήστε τους μοχλούς στο κατώτερο άκρο των αυλακώσεων από την αριστερή και τη δεξιά πλευρά του προϊόντος. (Εικ. 31)



3. Ρυθμίστε το ύψος της χειρολαβής σε μία από τις 2 διαθέσιμες θέσεις.
4. Μετακινήστε τους μοχλούς προς την κατεύθυνση της χειρολαβής μέχρι να σταματήσουν και να ακούσετε ένα κλικ. (Εικ. 32)
5. Σφίξτε πλήρως τις χειροβίδες.

## Συναρμολόγηση της λαβής (LB 548i)

1. Αφαιρέστε το παξιμάδι της λαβής και τη ροδέλα από την πλάκα της πάνω λαβής.
2. Τοποθετήστε την πάνω λαβή στο πάνω μέρος της κάτω λαβής.



**ΠΡΟΣΟΧΗ:** Βεβαιωθείτε ότι τα καλώδια δεν έχουν πιαστεί ή υποστεί ζημιά.

3. Τοποθετήστε τη ροδέλα και το μοχλό ρύθμισης της λαβής. (Εικ. 33)
4. Κατά τη λειτουργία του προϊόντος κοντά σε τοίχους, γυρίστε τη λαβή στο πλάι για να επιτύχετε μια καλή θέση λειτουργίας. (Εικ. 34)

## Συναρμολόγηση του συλλέκτη χόρτου (LC 551iV)

1. Τοποθετήστε το πλαίσιο συλλέκτη χόρτου στον σάκο χόρτου με το άκαμπτο τμήμα του σάκου να ακουμπά

- στο έδαφος. Κρατήστε τη λαβή του πλαισίου στο επάνω μέρος του σάκου χόρτου. (Εικ. 35)
2. Τοποθετήστε το κάτω τμήμα του πλαισίου του συλλέκτη χόρτου στην εγκοπή στο κάτω μέρος του συλλέκτη χόρτου.
3. Στερεώστε τον σάκο χόρτου στο πλαίσιο του συλλέκτη χόρτου με τα κλιπ. (Εικ. 36)
4. Ανασηκώστε το πίσω κάλυμμα.
5. Συνδέστε το συλλέκτη χόρτου στο επάνω άκρο του σασι.
6. Τοποθετήστε το κάτω τμήμα του συλλέκτη χόρτου στο κανάλι εκτόξευσης γρασιδιού. (Εικ. 37)

## Συναρμολόγηση του πώματος χορτολιπάσματος (παρελκόμενο LC 551iV)

1. Ανασηκώστε το πίσω κάλυμμα και αφαιρέστε το συλλέκτη χόρτου.
2. Τοποθετήστε το πώμα χορτολιπάσματος μέσα στο κανάλι εκτόξευσης. (Εικ. 38)
3. Αντικαταστήστε τη λεπίδα με τη λεπίδα χορτολιπάσματος που περιλαμβάνεται στο kit χορτολιπάσσης. Ανατρέξτε στην ενότητα *Για να αντικαταστήσετε τη λεπίδα στη σελίδα 129*.

## Λειτουργία

### Εισαγωγή



**ΠΡΟΕΙΔΟΠΟΙΗΣΗ:** Προτού χρησιμοποιήσετε το προϊόν, πρέπει να διαβάσετε και να κατανοήσετε το κεφάλαιο για την ασφάλεια.

### Husqvarna Connect

Η Husqvarna Connect είναι μια δωρεάν εφαρμογή για τη φορητή συσκευή σας. Η εφαρμογή Husqvarna Connect παρέχει εκτεταμένες λειτουργίες για το προϊόν σας Husqvarna:

- Περισσότερες πληροφορίες για το προϊόν.
- Πληροφορίες και βοήθεια για τα ανταλλακτικά και το σέρβις του προϊόντος.

### Για να αρχίσετε να χρησιμοποιείτε το προϊόν Husqvarna Connect

1. Κατεβάστε την εφαρμογή Husqvarna Connect στη φορητή συσκευή σας.
2. Εγγραφείτε στην εφαρμογή Husqvarna Connect.
3. Ακολουθήστε τα βήματα με τις οδηγίες που θα βρείτε στην εφαρμογή Husqvarna Connect για να συνδέσετε και να δηλώσετε το προϊόν.

### Εφαρμογή Husqvarna Fleet Services™

Η εφαρμογή Husqvarna Fleet Services™ είναι μια λύση cloud που προσφέρει στο διαχειριστή ενός επαγγελματικού στόλου μηχανημάτων μια συνοπτική εικόνα για όλα τα προϊόντα. Η εφαρμογή Husqvarna Fleet Services™ παρέχεται μαζί με το LC 551iV. Για περισσότερες πληροφορίες σχετικά με την εφαρμογή Husqvarna Fleet Services™, μπορείτε να επισκεφθείτε τη διεύθυνση [www.husqvarna.com](http://www.husqvarna.com).

### Προετοιμασία του αισθητήρα (παρελκόμενο)

1. Χρησιμοποιήστε το κλειδί αισθητήρα για να ανοίξετε το καπάκι του αισθητήρα. (Εικ. 39)
2. Αφαιρέστε τον αισθητήρα.
3. Συνδέστε την μπαταρία στον αισθητήρα. Η λυχνία LED του αισθητήρα ανάβει. (Εικ. 40)
4. Κατεβάστε την εφαρμογή Husqvarna Fleet Services™.
5. Συνδεθείτε στην εφαρμογή Husqvarna Fleet Services™.
6. Εκτελέστε τη διαδικασία σύζευξης. Ανατρέξτε στην ενότητα *Εκτέλεση διαδικασίας σύζευξης μεταξύ της εφαρμογής και του προϊόντος στη σελίδα 126*

## Εκτέλεση διαδικασίας σύζευξης μεταξύ της εφαρμογής και του προϊόντος

1. Συνδεθείτε στην εφαρμογή Husqvarna Fleet Services™.
2. Επιλέξτε το προϊόν σας στην εφαρμογή.
3. Σαρώστε τον κωδικό πίσω από τον αισθητήρα με την κινητή σας συσκευή, για να εγκαταστήσετε τον αισθητήρα στην εφαρμογή.

**Περιεχόμενα** Η διαδικασία σύζευξης μεταξύ της εφαρμογής και του προϊόντος θα πρέπει να γίνει μόνο μία φορά.

## Εγκατάσταση του αισθητήρα

1. Βεβαιωθείτε ότι ο αισθητήρας είναι συνδεδεμένος στην εφαρμογή Husqvarna Fleet Services™. Ανατρέξτε στην ενότητα *Εκτέλεση διαδικασίας σύζευξης μεταξύ της εφαρμογής και του προϊόντος στη σελίδα 126*.
2. Ανοίξτε 2 οπές σύμφωνα με τα σημάδια στην εσοχή του περιβλήματος. (Εικ. 41)

**Περιεχόμενα** Βεβαιωθείτε ότι οι οπές έχουν την ίδια διάσταση με τα πριτσίνια που παρέχονται με τον αισθητήρα.

3. Χρησιμοποιήστε μια πένσα για να αφαιρέσετε τις εξωτερικές οπές στην εσοχή του αισθητήρα. (Εικ. 42)
4. Ανοίξτε 2 οπές σύμφωνα με τα σημάδια στην εσοχή του αισθητήρα. (Εικ. 43)
5. Ευθυγραμμίστε την εσοχή του αισθητήρα με την εσοχή του περιβλήματος. (Εικ. 44)
6. Στερεώστε την εσοχή του αισθητήρα με τα πριτσίνια.
7. Τοποθετήστε τον αισθητήρα στη σχετική εσοχή. Ευθυγραμμίστε το λευκό σημάδι του αισθητήρα με το σημάδι επάνω στην εσοχή του αισθητήρα. (Εικ. 45)
8. Κλείστε το καπάκι του αισθητήρα και κλειδώστε το με το κλειδί αισθητήρα. Βεβαιωθείτε ότι το επάνω μέρος του γράμματος "H" από τη λέξη Husqvarna είναι στραμμένο προς την αντίθετη κατεύθυνση από το κλειδί ασφαλείας. (Εικ. 46)

## Ρύθμιση του προϊόντος στη θέση λειτουργίας (LC 551iV)

1. Ανασηκώστε τη λαβή στην όρθια θέση. (Εικ. 47)
2. Μετακινήστε τους μοχλούς προς την κατεύθυνση της χειρολαβής μέχρι να σταματήσουν και να ακούσετε ένα κλικ. (Εικ. 32)
3. Σφίξτε πλήρως τις χειρόβιδες.

## Ρύθμιση του ύψους κοπής

Το ύψος κοπής μπορεί να ρυθμιστεί σε 6 διαφορετικές θέσεις.

1. Σπρώξτε το χειριστήριο ύψους κοπής προς την κατεύθυνση του τροχού και στη συνέχεια προς τα πίσω για να αυξήσετε το ύψος κοπής.
2. Σπρώξτε το χειριστήριο ύψους κοπής προς την κατεύθυνση του τροχού και στη συνέχεια προς τα εμπρός για να μειώσετε το ύψος κοπής. (Εικ. 48)



**ΠΡΟΣΟΧΗ:** Μην ρυθμίζετε το ύψος κοπής πολύ χαμηλά. Οι λεπίδες μπορεί να χτυπήσουν στο έδαφος αν η επιφάνεια του χλοοτάπητα δεν είναι επίπεδη.

## Μπαταρία



**ΠΡΟΕΙΔΟΠΟΙΗΣΗ:** Προτού χρησιμοποιήσετε την μπαταρία, πρέπει να διαβάσετε και να κατανοήσετε το κεφάλαιο σχετικά με την ασφάλεια. Πρέπει επίσης να διαβάσετε και να κατανοήσετε το εγχειρίδιο χρήσης για την μπαταρία και τον φορτιστή της μπαταρίας.

## Κατάσταση μπαταρίας

Στην οθόνη εμφανίζονται η εναπομένουσα χωρητικότητα της μπαταρίας και τυχόν προβλήματα της μπαταρίας. Η χωρητικότητα της μπαταρίας εμφανίζεται για 5 δευτερόλεπτα μετά την απενεργοποίηση του προϊόντος ή το πάτημα του κουμπιού της ένδειξης μπαταρίας. Το προειδοποιητικό σύμβολο στην μπαταρία ανάβει όταν παρουσιαστεί σφάλμα. Ανατρέξτε στην ενότητα *Μπαταρία στη σελίδα 130*. (Εικ. 49)

Ενδεικτικές λυχνίες LED	Κατάσταση μπαταρίας
Όλες οι ενδεικτικές λυχνίες LED είναι αναμμένες	Πλήρως φορτισμένη (75-100%)
Οι ενδεικτικές λυχνίες LED 1, LED 2, LED 3 είναι αναμμένες	Η μπαταρία είναι φορτισμένη κατά 50%-75%
Οι ενδεικτικές λυχνίες LED 1, LED 2 είναι αναμμένες	Η μπαταρία είναι φορτισμένη κατά 25%-50%
Η ενδεικτική λυχνία LED 1 είναι αναμμένη	Η μπαταρία είναι φορτισμένη κατά 0%-25%.
Η ενδεικτική λυχνία LED 1 αναβοσβήνει	Η μπαταρία είναι άδεια. Φορτίστε την μπαταρία.

## Φόρτιση της μπαταρίας

Φορτίστε την μπαταρία πριν από την πρώτη χρήση. Η μπαταρία είναι φορτισμένη μόνο κατά 30% όταν παρέχεται στον πελάτη.

**Περιεχόμενα** Ο φορτιστής της μπαταρίας πρέπει να συνδέεται σε παροχή με τάση και συχνότητα ίδια με αυτή που ορίζεται στην πινακίδα στοιχείων.

Η φόρτιση της μπαταρίας δεν είναι δυνατή αν η θερμοκρασία της μπαταρίας είναι μεγαλύτερη από 50 °C. Ο φορτιστής της μπαταρίας μειώνει τη θερμοκρασία πριν ξεκινήσει η φόρτιση.

1. Συνδέστε το ένα άκρο του καλωδίου ρεύματος του φορτιστή μπαταρίας στην υποδοχή του φορτιστή μπαταρίας.
2. Συνδέστε το άλλο άκρο του καλωδίου ρεύματος του φορτιστή μπαταρίας σε μια γειωμένη πρίζα. Η ενδεικτική λυχνία LED στον φορτιστή της μπαταρίας θα αναβοσβήσει με πράσινο χρώμα μία φορά. (Εικ. 50)
3. Τοποθετήστε την μπαταρία στο φορτιστή μπαταρίας. Όταν η μπαταρία συνδεθεί σωστά στον φορτιστή, ανάβει η πράσινη λυχνία στον φορτιστή. (Εικ. 51)
4. Η μπαταρία είναι πλήρως φορτισμένη, όταν ανάψουν όλες οι λυχνίες LED στην μπαταρία. Ο μέγιστος χρόνος φόρτισης της μπαταρίας δεν θα πρέπει να υπερβαίνει τις 24 ώρες.
5. Για να αποσυνδέσετε τον φορτιστή της μπαταρίας από την πρίζα, τραβήξτε το φως και όχι το καλώδιο.
6. Αφαιρέστε την μπαταρία από το φορτιστή.

### Κατάσταση φόρτισης της μπαταρίας

Μια μπαταρία ιόντων λιθίου της Husqvarna μπορεί να φορτιστεί ή να χρησιμοποιηθεί σε όλα τα επίπεδα φόρτισης. Δεν προκαλείται ζημιά στην μπαταρία. Μια πλήρως φορτισμένη μπαταρία δεν θα χάσει το φορτίο της όταν παραμείνει στον φορτιστή.

Οθόνη LED	Κατάσταση φόρτισης
Η ενδεικτική λυχνία LED 1 αναβοσβήνει	0%-25%
Η ενδεικτική λυχνία LED 1 είναι αναμμένη, η ενδεικτική λυχνία LED 2 αναβοσβήνει	25%-50%
Οι ενδεικτικές λυχνίες LED 1, LED 2 είναι αναμμένες, η ενδεικτική λυχνία LED 3 αναβοσβήνει	50%-75%
Οι ενδεικτικές λυχνίες LED 1, LED 2, LED 3 είναι αναμμένες, η ενδεικτική λυχνία LED 4 αναβοσβήνει	75%-100%
Οι λυχνίες LED 1, LED 2, LED 3, LED 4 είναι αναμμένες	Πλήρως φορτισμένη

### Φόρτιση της πολυμπαταρίας

**Περιεχόμενα** Φορτίστε την μπαταρία, εάν είναι η πρώτη φορά που τη χρησιμοποιείτε. Μια καινούργια μπαταρία είναι φορτισμένη μόνο κατά 30%.

1. Βεβαιωθείτε ότι η μπαταρία είναι στεγνή.
2. Συνδέστε την πολυμπαταρία στον προσαρμογέα. (Εικ. 52)
3. Τοποθετήστε τον προσαρμογέα στο φορτιστή της μπαταρίας.
4. Βεβαιωθείτε ότι ανάβει η πράσινη λυχνία φόρτισης LED στον φορτιστή. Αυτό σημαίνει ότι ο προσαρμογέας και η πολυμπαταρία έχουν συνδεθεί σωστά. (Εικ. 53)
5. Η μπαταρία είναι πλήρως φορτισμένη, όταν ανάψουν όλες οι λυχνίες LED της μπαταρίας και στον προσαρμογέα εμφανίζεται η ένδειξη 100%. (Εικ. 54)  
Ο προσαρμογέας εμφανίζει την κατάσταση φόρτισης σε βήματα του 1%. Κατά την έναρξη της φόρτισης μπορεί να προκύψουν μικρές αποκλίσεις.
6. Για να αποσυνδέσετε το φορτιστή της μπαταρίας από την πρίζα, τραβήξτε το φως. Μην τραβήξετε το καλώδιο.
7. Αφαιρέστε τον προσαρμογέα από το φορτιστή μπαταρίας.
8. Αφαιρέστε την πολυμπαταρία από τον προσαρμογέα.

**Περιεχόμενα** Ανατρέξτε στα εγχειρίδια της πολυμπαταρίας και του φορτιστή της μπαταρίας για περισσότερες πληροφορίες.

### Εκκίνηση λειτουργίας του προϊόντος

1. Ανασηκώστε το καπάκι της μπαταρίας.
2. Τοποθετήστε μια φορτισμένη μπαταρία μέσα στην υποδοχή μπαταρίας 1 κάτω από το καπάκι της μπαταρίας. Για μεγαλύτερη διάρκεια λειτουργίας, τοποθετήστε μια δεύτερη φορτισμένη μπαταρία στην υποδοχή μπαταρίας 2.
3. Αποσυνδέστε το κλειδί ασφαλείας από τη θήκη του κλειδιού ασφαλείας.
4. Πιέστε το κλειδί ασφαλείας μέσα στην κλειδαριά ασφαλείας. (Εικ. 55)
5. Να παραμείνετε πίσω από το προϊόν.
6. Πατήστε το κουμπί ON/OFF στο ταμπλό ελέγχου. Η οθόνη ενδείξεων εμφανίζεται.
7. Χαλαρώστε τον αναστολέα εκκίνησης. (Εικ. 22)
8. Σπρώξτε τη λαβή φρένου του κινητήρα προς την κατεύθυνση της χειρολαβής. (Εικ. 56)

### Χρήση της κίνησης στους τροχούς (LC 551iV)

- Για να ξεκινήσετε την πορεία, τραβήξτε την ασφάλεια κίνησης προς την κατεύθυνση της χειρολαβής. (Εικ. 57)
- Πατήστε + και - στο ταμπλό ελέγχου για να ρυθμίσετε την ταχύτητα κίνησης σε 4 βήματα. (Εικ. 58)

- Απελευθερώστε την ασφάλεια κίνησης για να αποδεσμεύσετε την κίνηση, για παράδειγμα όταν βρίσκεστε κοντά σε κάποιο εμπόδιο.

## Χρήση της λειτουργίας εξοικονόμησης SavE (αξεσουάρ)

Το προϊόν διαθέτει μια λειτουργία εξοικονόμησης μπαταρίας (SavE) για μεγαλύτερη διάρκεια λειτουργίας.

1. Πατήστε το κουμπί λειτουργίας εξοικονόμησης SavE (A) για να εκκινήσετε τη λειτουργία. Το σύμβολο της λειτουργίας εξοικονόμησης SavE (B) στην οθόνη ενδείξεων ανάβει.
2. Πατήστε ξανά το κουμπί εξοικονόμησης SavE για να διακόψετε τη λειτουργία. Το σύμβολο της λειτουργίας εξοικονόμησης SavE (B) στην οθόνη ενδείξεων σβήνει. (Εικ. 59)

Η λειτουργία εξοικονόμησης SavE διακόπεται αυτόματα αν οι συνθήκες εδάφους απαιτούν υψηλότερη απόδοση. Η λειτουργία εξοικονόμησης SavE εκκινείται ξανά αυτόματα όταν το επιτρέψουν οι συνθήκες εδάφους.

## Λειτουργία PowerBoost

Οι σ.α.λ. του κινητήρα αυξάνονται αυτόματα, όταν το προϊόν κόβει μακρύ ή νωπό χορτάρι. Για εξοικονόμηση χρόνου λειτουργίας της μπαταρίας, το μοτέρ επιστρέφει αυτόματα στην τυπική λειτουργία όταν δεν είναι απαραίτητη η λειτουργία PowerBoost.

## Διακοπή λειτουργίας του προϊόντος

Το προϊόν σταματά να λειτουργεί, αν δεν το χρησιμοποιήσετε για 3 λεπτά.

1. Απελευθερώστε τη λαβή φρένου του κινητήρα για να σβήσετε τον κινητήρα. (Εικ. 21)

2. Πατήστε το κουμπί ON/OFF στο ταμπλό ελέγχου. Όλες οι λυχνίες LED και τα σύμβολα στην οθόνη ενδείξεων σβήνουν. (Εικ. 60)
3. Αφαιρέστε το κλειδί ασφαλείας από την κλειδαριά ασφαλείας και τοποθετήστε το στη θήκη του.

## Για ένα καλό αποτέλεσμα

- Να χρησιμοποιείτε πάντα μια ακονισμένη λεπίδα. Η στομωμένη λεπίδα δίνει ένα ακανόνιστο αποτέλεσμα και η επιφάνεια κοπής του γρασιδιού γίνεται κίτρινη. Επίσης, η ακονισμένη λεπίδα χρησιμοποιεί λιγότερη ενέργεια από μια στομωμένη λεπίδα.
- Να μην κόβετε ποτέ πάνω από το 1/3 του μήκους του γρασιδιού. Να κόβετε πρώτα με το ύψος κοπής ρυθμισμένο σε υψηλό. Εξετάστε το αποτέλεσμα και χαμηλώστε το ύψος κοπής σε κατάλληλο επίπεδο. Αν το γρασίδι είναι πολύ μακρύ, οδηγήστε αργά και κόψτε 2 φορές, αν είναι απαραίτητο.
- Να κόβετε κάθε φορά σε διαφορετικές κατευθύνσεις για να αποφεύγετε τις ρίγες στο γρασίδι.

## Κοπή χόρτου χωρίς τοποθέτηση συλλέκτη χόρτου ή πώματος χορτολιπάσματος (LC 551iV)

1. Ανασηκώστε το πίσω κάλυμμα και αφαιρέστε τον συλλέκτη χόρτου.
2. Αν έχουν τοποθετηθεί πώμα χορτολιπάσματος και λεπίδα χορτολιπανσης, αφαιρέστε τα.
3. Κλείστε το πίσω κάλυμμα προτού χρησιμοποιήσετε το προϊόν.

Όταν χρησιμοποιείτε το προϊόν, το κομμένο χόρτο εκτοξεύεται κάτω από το πίσω κάλυμμα.

## Συντήρηση

### Εισαγωγή



**ΠΡΟΕΙΔΟΠΟΙΗΣΗ:** Προτού εκτελέσετε εργασίες συντήρησης, πρέπει να διαβάσετε και να κατανοήσετε το κεφάλαιο για την ασφάλεια.

Για όλες τις εργασίες συντήρησης και επισκευής στο προϊόν, είναι απαραίτητη ειδική εκπαίδευση. Μπορούμε να εγγυηθούμε για τη διαθεσιμότητα των επαγγελματικών επισκευών και τη συντήρηση. Αν ο αντιπρόσωπός σας δεν είναι αντιπρόσωπος σέρβις,

μιλήστε του για πληροφορίες σχετικά με τον πλησιέστερο αντιπρόσωπο σέρβις.

### Πρόγραμμα συντήρησης

Τα διαστήματα συντήρησης υπολογίζονται με βάση την καθημερινή χρήση του προϊόντος. Τα διαστήματα αλλάζουν αν το προϊόν δεν χρησιμοποιείται καθημερινά.

Για τις εργασίες συντήρησης που επισημαίνονται με αστερίσκο (\*), ανατρέξτε στην ενότητα *Οδηγίες ασφαλείας για τη λειτουργία στη σελίδα 119.*

	Σε κάθε χρήση	Κάθε μήνα	Σε κάθε σεζόν
Εκτέλεση γενικής επιθεώρησης	X		
Καθαρίστε τα καλύμματα του συστήματος μετάδοσης κίνησης. Βεβαιωθείτε ότι το μοτέρ δεν έχει χόρτα	X		

	Σε κάθε χρήση	Κάθε μήνα	Σε κάθε σεζόν
Έλεγχος του αναστολέα εκκίνησης *	X		
Έλεγχος ότι οι συσκευές ασφαλείας στο προϊόν δεν είναι ελαττωματικές *	X		
Ελέγξτε το συλλέκτη χόρτου για φθορά ή μειωμένη απόδοση	X		
Έλεγχος του εξοπλισμού κοπής	X		
Έλεγχος του καλύμματος κοπής *	X		
Έλεγχος της λαβής φρένου του κινητήρα *	X		
Έλεγχος ότι το κουμπί ON/OFF λειτουργεί σωστά και δεν είναι ελαττωματικό	X		
Έλεγχος της μπαταρίας για τυχόν ζημιές	X		
Έλεγχος της φόρτισης της μπαταρίας	X		
Έλεγχος ότι τα κουμπιά απασφάλισης της μπαταρίας λειτουργούν σωστά και ότι η μπαταρία ασφαλίζει σωστά στο προϊόν.	X		
Καθαρίστε τα στόμια εισαγωγής αέρα. Βεβαιωθείτε ότι τα στόμια εισαγωγής αέρα δεν έχουν χόρτα ή ρύπους	X		
Ελέγξτε τον φορτιστή μπαταρίας για τυχόν ζημιές και βεβαιωθείτε ότι λειτουργεί σωστά		X	
Έλεγχος των συνδέσεων μεταξύ της μπαταρίας και του προϊόντος. Ελέγξτε τη σύνδεση μεταξύ της μπαταρίας και του φορτιστή μπαταρίας			X

## Εκτέλεση γενικής επιθεώρησης

- Βεβαιωθείτε ότι τα παξιμάδια και οι βίδες πάνω στο προϊόν είναι σφιγμένα.
- Βεβαιωθείτε ότι τα καλώδια στο προϊόν δεν βρίσκονται σε σημείο όπου μπορούν να υποστούν ζημιά.

## Για να αντικαταστήσετε τη λεπίδα

1. Ασφαλίστε τη λεπίδα με έναν ξύλινο τάκο. (Εικ. 61)
2. Αφαιρέστε τη βίδα της λεπίδας, τη ροδέλα του ελατηρίου και τη λεπίδα. (Εικ. 62)
3. Ελέγξτε το στήριγμα της λεπίδας και τη βίδα της λεπίδας για τυχόν ζημιές.
  - a) Αν αντικαταστήσετε τη λεπίδα ή το στήριγμα της λεπίδας, αντικαταστήστε και τη βίδα της λεπίδας, τη ροδέλα του ελατηρίου και τη ροδέλα τριβής.
4. Βεβαιωθείτε ότι ο άξονας του κινητήρα δεν είναι λυγισμένος.
5. Κατά την τοποθέτηση της καινούργιας λεπίδας, βεβαιωθείτε ότι τα λυγισμένα άκρα είναι στραμμένα προς το κάλυμμα κοπής. (Εικ. 63)
6. Τοποθετήστε τη ροδέλα τριβής και τη λεπίδα πάνω στο στήριγμα της λεπίδας. (Εικ. 64)
7. Βεβαιωθείτε ότι η λεπίδα είναι ευθυγραμμισμένη με το κέντρο του άξονα του μοτέρ. (Εικ. 65)
8. Ασφαλίστε τη λεπίδα με έναν ξύλινο τάκο. (Εικ. 66)

9. Τοποθετήστε τη ροδέλα του ελατηρίου και σφίξτε τη βίδα με ροπή 65-75 Nm. (Εικ. 67)

10. Περιστρέψτε τη λάμα με το χέρι και βεβαιωθείτε ότι μπορεί να περιστραφεί χωρίς προβλήματα.



**ΠΡΟΕΙΔΟΠΟΙΗΣΗ:** Πρέπει να χρησιμοποιείτε προστατευτικά γάντια. Η λεπίδα είναι πολύ κοφτερή και μπορεί εύκολα να κοπείτε.

11. Εκκινήστε το προϊόν για να δοκιμάσετε τη λεπίδα. Αν η λεπίδα δεν είναι σωστά συνδεδεμένη, θα υπάρχουν κραδασμοί στο προϊόν ή το αποτέλεσμα κοπής δεν θα είναι ικανοποιητικό.

## Καθαρισμός του προϊόντος

- Καθαρίζετε τα πλαστικά εξαρτήματα με καθαρό και στεγνό πανί.
- Μην χρησιμοποιείτε νερό για να καθαρίσετε το προϊόν. Το νερό μπορεί να εισχωρήσει στην μπαταρία ή στον κινητήρα και να προκαλέσει βραχυκύκλωμα ή ζημιά στο προϊόν.
- Μην χρησιμοποιείτε σύστημα πλύσης με υψηλή πίεση για να καθαρίσετε το προϊόν.
- Μην ρίχνετε νερό απευθείας επάνω στον κινητήρα.
- Χρησιμοποιήστε μια βούρτσα για να αφαιρέσετε φύλλα, γρασίδι και ακαθαρσίες.

## Για να καθαρίσετε την μπαταρία και το φορτιστή μπαταρίας



**ΠΡΟΣΟΧΗ:** Μην καθαρίζετε την μπαταρία ή το φορτιστή μπαταρίας με νερό.

- Βεβαιωθείτε ότι η μπαταρία και ο φορτιστής είναι καθαροί και στεγνοί προτού τοποθετήσετε την μπαταρία στον φορτιστή.
- Καθαρίστε τους πόλους της μπαταρίας με πετρελασμένο αέρα ή χρησιμοποιήστε μαλακό και στεγνό πανί.
- Καθαρίστε τις επιφάνειες της μπαταρίας και του φορτιστή της μπαταρίας με μαλακό και στεγνό πανί.

## Έλεγχος εξοπλισμού κοπής



**ΠΡΟΕΙΔΟΠΟΙΗΣΗ:** Για την αποφυγή ακούσιας εκκίνησης, τραβήξτε το κλειδί ασφαλείας προς τα επάνω, αφαιρέστε την

μπαταρία και περιμένετε τουλάχιστον για 5 δευτερόλεπτα.



**ΠΡΟΕΙΔΟΠΟΙΗΣΗ:** Να χρησιμοποιείτε προστατευτικά γάντια όταν κάνετε συντήρηση του εξοπλισμού κοπής. Η λεπίδα είναι πολύ κοφτερή και μπορεί εύκολα να κοπείτε.

1. Ελέγξτε τον εξοπλισμό κοπής για ζημιές ή ρωγμές. Πρέπει πάντα να αντικαθιστάτε τον εξοπλισμό κοπής, αν έχει υποστεί ζημιά.
2. Κοιτάξτε τη λεπίδα για να δείτε εάν είναι φθαρμένη ή στομωμένη.

**Περιεχόμενα** Είναι απαραίτητο να ζυγοσταθμιστεί η λεπίδα μετά το ακόνισμα. Να αναθέτετε το ακόνισμα, την αντικατάσταση και τη ζυγοστάθμιση της λεπίδας σε ένα κέντρο σέρβις. Αν χτυπήσετε κάποιο εμπόδιο και σταματήσει το προϊόν, αντικαταστήστε τη φθαρμένη λεπίδα. Το κέντρο σέρβις θα αξιολογήσει αν η λεπίδα μπορεί να ακονιστεί ή πρέπει να αντικατασταθεί.

## Αντιμετώπιση προβλημάτων

### Μπαταρία

Λυχνία LED στην μπαταρία	Πιθανά σφάλματα	Πιθανή διαδικασία
Η πράσινη λυχνία LED αναβοσβήνει	Η τάση της μπαταρίας είναι χαμηλή	Φορτίστε την μπαταρία. Ανατρέξτε στην ενότητα <i>Φόρτιση της μπαταρίας στη σελίδα 126</i> .
Η λυχνία LED σφάλματος αναβοσβήνει	Η μπαταρία έχει χαμηλή στάθμη φόρτισης	Φορτίστε την μπαταρία. Ανατρέξτε στην ενότητα <i>Μπαταρία στη σελίδα 130</i> .
	Η θερμοκρασία στο περιβάλλον εργασίας είναι πολύ υψηλή ή πολύ χαμηλή	Χρησιμοποιήστε την μπαταρία σε θερμοκρασίες μεταξύ -10 °C και 40 °C.
Η λυχνία LED σφάλματος είναι αναμμένη	Υπέρταση	Ελέγξτε ότι η τάση παροχής ρεύματος είναι ίδια με εκείνη που αναγράφεται στην πινακίδα στοιχείων στο προϊόν. Αφαιρέστε την μπαταρία από το φορτιστή. Περιμένετε 5 δευτερόλεπτα και προσπαθήστε ξανά να φορτίσετε την μπαταρία. Αν το πρόβλημα παραμένει, επικοινωνήστε με έναν εξουσιοδοτημένο αντιπρόσωπο σέρβις.
	Υπερβολική διαφορά μεταξύ κυψελών (1 V)	Επικοινωνήστε με έναν εγκεκριμένο αντιπρόσωπο σέρβις.

## Φορτιστής μπαταρίας

Λυχνία LED στον φορτιστή της μπαταρίας	Πιθανά σφάλματα	Πιθανή διαδικασία
Η λυχνία LED σφάλματος αναβοσβήνει	Η θερμοκρασία στο περιβάλλον εργασίας είναι πολύ υψηλή ή πολύ χαμηλή	Χρησιμοποιήστε τον φορτιστή της μπαταρίας σε θερμοκρασίες μεταξύ 5 °C και 40 °C.
Η λυχνία LED σφάλματος είναι αναμμένη		Επικοινωνήστε με έναν εγκεκριμένο αντιπρόσωπο σέρβις

## Ταμπλό ελέγχου

Κωδικός σφάλματος (αριθμός αναβοσβησιμάτων)	Πιθανά σφάλματα	Πιθανή διαδικασία
1	Το μοτέρ του συστήματος μετάδοσης κίνησης έχει υπερθερμανθεί.	Αφήστε το προϊόν να κρυώσει. Βεβαιωθείτε ότι το σύστημα μετάδοσης κίνησης δεν έχει χόρτα. Καθαρίστε το κάλυμμα του συστήματος μετάδοσης κίνησης, εάν χρειάζεται.
5	Η ταχύτητα του μοτέρ μειώνεται υπερβολικά και το μοτέρ σταματά.	Καθαρίστε το πλαίσιο κοπής και αυξήστε το ύψος κοπής. Ανατρέξτε στην ενότητα <i>Ρύθμιση του ύψους κοπής στη σελίδα 126</i> . Αν το σφάλμα εξακολουθεί να εμφανίζεται, επικοινωνήστε με έναν εξουσιοδοτημένο αντιπρόσωπο σέρβις.
8	Η μπαταρία έχει χαμηλή στάθμη φόρτισης.	Φορτίστε την μπαταρία. Ανατρέξτε στην ενότητα <i>Φόρτιση της μπαταρίας στη σελίδα 126</i> .
9	Σφάλμα μπαταρίας ή έλλειψη σήματος από την μπαταρία.	Τοποθετήστε σωστά την μπαταρία στο προϊόν και ελέγξτε τον σύνδεσμο της μπαταρίας. Αν η λυχνία LED σφάλματος στην μπαταρία αναβοσβήνει, ανατρέξτε στην ενότητα <i>Μπαταρία στη σελίδα 126</i> .
10	Το σύστημα ελέγχου του κινητήρα είναι πολύ ζεστό.	Σβήστε το μοτέρ και περιμένετε μέχρι να κρυώσει.
Άλλα σφάλματα	Εάν προκύψουν άλλα σφάλματα, αφαιρέστε το κλειδί ασφαλείας και την μπαταρία, και απευθυνθείτε σε έναν εγκεκριμένο αντιπρόσωπο σέρβις.	

## Μεταφορά, αποθήκευση και απόρριψη

### Εισαγωγή



**ΠΡΟΕΙΔΟΠΟΙΗΣΗ:** Για την αποφυγή ακούσιας εκκίνησης κατά την μεταφορά, τραβήξτε το κλειδί ασφαλείας προς τα επάνω, αφαιρέστε την μπαταρία και περιμένετε τουλάχιστον για 5 δευτερόλεπτα.

### Ρύθμιση του προϊόντος στη θέση μεταφοράς (LC 551iV)

- Χαλαρώστε τις κάτω χειροβίδες.
- Μετακινήστε τους μοχλούς στο κατώτερο άκρο των αυλακώσεων από την αριστερή και τη δεξιά πλευρά του προϊόντος. (Εικ. 31)
- Διπλώστε τη χειρολαβή προς τα εμπρός. (Εικ. 68)
- Αφαιρέστε τον συλλέκτη χόρτου.

## Μεταφορά

- Οι απαιτήσεις της νομοθεσίας περί μεταφοράς επικίνδυνων εμπορευμάτων ισχύει για τις μπαταρίες ιόντων λιθίου που περιλαμβάνονται.
- Για τις εμπορικές μεταφορές πρέπει να τηρούνται οι ειδικές απαιτήσεις που αναγράφονται στη συσκευασία και στις ετικέτες.
- Βεβαιωθείτε ότι τηρείτε τους κανονισμούς για επικίνδυνα υλικά κατά τη μεταφορά του προϊόντος. Μπορεί να ισχύουν τοπικοί κανονισμοί.
- Για τη μεταφορά, πρέπει πάντα να αφαιρείτε την μπαταρία.
- Τοποθετήστε ταινία στους συνδέσμους της μπαταρίας και βεβαιωθείτε ότι η μπαταρία δεν μπορεί να μετακινηθεί κατά τη μεταφορά.
- Στερεώστε το προϊόν κατά τη μεταφορά.

## Αποθήκευση

- Για την αποθήκευση, πρέπει πάντα να αφαιρείτε την μπαταρία.
- Για την αποφυγή ατυχημάτων, βεβαιωθείτε ότι η μπαταρία δεν είναι συνδεδεμένη στο προϊόν κατά την αποθήκευση.
- Αποθηκεύστε τον φορτιστή της μπαταρίας σε κλειστό χώρο χωρίς υγρασία.
- Αποθηκεύστε την μπαταρία και τον φορτιστή σε χώρο χωρίς υγρασία ή παγετό.
- Αποσυνδέστε την μπαταρία από τον φορτιστή προτού την αποθηκεύσετε.
- Μην αποθηκεύετε την μπαταρία σε χώρους όπου μπορεί να προκληθεί στατικός ηλεκτρισμός. Μην αποθηκεύετε την μπαταρία σε μεταλλικό κουτί.
- Αποθηκεύστε την μπαταρία σε χώρο όπου η θερμοκρασία κυμαίνεται μεταξύ 5 °C και 25 °C μακριά από την ηλιακή ακτινοβολία.

- Αποθηκεύστε τον φορτιστή μπαταρίας σε χώρο όπου η θερμοκρασία κυμαίνεται μεταξύ 5 °C και 45 °C μακριά από την ηλιακή ακτινοβολία.
- Βεβαιωθείτε ότι η μπαταρία είναι φορτισμένη κατά 30% - 50% προτού την αποθηκεύσετε για μεγάλο χρονικό διάστημα.
- Αποθηκεύστε το προϊόν, την μπαταρία και τον φορτιστή μπαταρίας σε χώρο που κλειδώνεται, ώστε να μην έχουν πρόσβαση παιδιά και μη εξουσιοδοτημένα άτομα.
- Καθαρίστε το προϊόν και πραγματοποιήστε πλήρες σέρβις προτού το αποθηκεύσετε για μεγάλο χρονικό διάστημα.

## Απόρριψη

Τα σύμβολα που υπάρχουν πάνω στο προϊόν ή στη συσκευασία του, υποδεικνύουν ότι δεν πρέπει να μεταχειριστείτε το συγκεκριμένο προϊόν ως οικιακό απόρριμμα. Αντιθέτως, πρέπει να το παραδώσετε σε κατάλληλο σταθμό ανακύκλωσης για ανάκτηση του ηλεκτρικού και ηλεκτρονικού εξοπλισμού.

Εξασφαλίζοντας τη σωστή απόρριψη του προϊόντος, συνεισφέρετε στην αντιμετώπιση πιθανών αρνητικών επιπτώσεων που θα μπορούσε να έχει στο περιβάλλον και τους ανθρώπους η λανθασμένη απόρριψη αυτού του προϊόντος. Για περισσότερες πληροφορίες σχετικά με την ανακύκλωση αυτού του προϊόντος, απευθυνθείτε στο δήμο σας, την τοπική υπηρεσία συλλογής απορριμμάτων ή το κατάστημα από το οποίο αγοράσατε το προϊόν.

(Εικ. 69)

## Τεχνικά στοιχεία

### Τεχνικά στοιχεία

	LB 548i	LC 551IV
<b>Κινητήρας κοπής</b>		
Τύπος κινητήρα	BLDC (χωρίς ψήκτρες) 36 V	BLDC (χωρίς ψήκτρες) 36 V
Ταχύτητα μοτέρ - Λειτουργία SavE, σ.α.λ.*	2600	2600
Ταχύτητα μοτέρ - Ονομαστική, σ.α.λ.*	3000	3000
Ταχύτητα μοτέρ - Υψηλό φορτίο, σ.α.λ.*	3300	3300
Ισχύς κινητήρα – μέγ. kW	1,8	1,8
Ισχύς κινητήρα - Ονομαστική, kW	1,5	1,5
<b>Κινητήρας πορείας</b>		
Ισχύς κινητήρα - Ονομαστική, kW	Δ/Α	0,3



	LB 548i	LC 551iV
Ταχύτητα αυτόματης πορείας, km/h	Δ/Α	3,0-5,0
Επίπεδα ρύθμισης ταχύτητας	Δ/Α	4
<b>Βάρος</b>		
Βάρος χωρίς μπαταρία, kg	31	41
<b>Μπαταρία</b>		
Τύπος μπαταρίας	Σειρά μπαταριών της Husqvarna	Σειρά μπαταριών της Husqvarna
<b>Χρόνος λειτουργίας μπαταρίας</b>		
Χρόνος λειτουργίας μπαταρίας, λεπτά, (ελεύθερη λειτουργία) με ενεργοποιημένη τη λειτουργία εξοικονόμησης SavE, με μία μπαταρία (Bli200) 5,2 Ah της Husqvarna.	40	30
Χρόνος λειτουργίας μπαταρίας, λεπτά, (ελεύθερη λειτουργία) με ενεργοποιημένη την κανονική λειτουργία, με μία μπαταρία (Bli200) 5,2 Ah της Husqvarna.	30	20
<b>Εκπομπές θορύβου <sup>16</sup></b>		
Στάθμη ηχητικής ισχύος, μετρούμενη τιμή σε dB (A)	93	97
Στάθμη ηχητικής ισχύος, εγγυημένη, L <sub>WA</sub> σε dB (A)	93	97
<b>Επίπεδα ήχου <sup>17</sup></b>		
Στάθμη ηχητικής πίεσης στο αυτί του χειριστή, σε dB (A)	80	84
<b>Επίπεδα κραδασμών <sup>18</sup></b>		
Λαβή, m/s <sup>2</sup>	0,3	0,3
<b>Εξοπλισμός κοπής</b>		
Ύψος κοπής, mm	20-75	20-75
Πλάτος κοπής, cm	48	51
Λεπίδα, βασικός εξοπλισμός	Λεπίδα κοπής χορτολιπάσματος 597466510	Λεπίδα συλλογής 597466310
Λεπίδα, αξεσουάρ	Δ/Υ	Λεπίδα κοπής χορτολιπάσματος 597466410
Χωρητικότητα συλλέκτη χόρτου, λίτρα	Δ/Υ	65

\* Στροφές ανά λεπτό

<sup>16</sup> Οι εκπομπές θορύβου στο περιβάλλον, οι οποίες μετρούνται ως ηχητική ισχύς (L<sub>WA</sub>), σε συμμόρφωση με την Οδηγία 2000/14/ΕΚ.

<sup>17</sup> Τα καταγεγραμμένα στοιχεία για τη στάθμη πίεσης θορύβου έχουν τυπική στατιστική διασπορά (τυπική απόκλιση) 1,2 dB(A).

<sup>18</sup> Τα καταγεγραμμένα στοιχεία για τη στάθμη κραδασμών έχουν τυπική στατιστική διασπορά (τυπική απόκλιση) της τάξης του 0,2 m/s<sup>2</sup>. Πρότυπο για κραδασμούς EN 60335-2-77:2017 κεφάλαιο 20.105

Εγκεκριμένες μπαταρίες	Τύπος	Χωρητικότητα μπαταρίας, Ah	Τάση, V	Βάρος, lb/kg
BLi20	Ιόντων λιθίου	4,0	36	2,6/1,2
BLi200	Ιόντων λιθίου	5,2	36	2,8/1,3
BLi300	Ιόντων λιθίου	9,4	36	4,1/1,9
BLi550X	Ιόντων λιθίου	15,6	36	12,4/5,6
BLi950X	Ιόντων λιθίου	31,1	36	15,4/7,0

Εγκεκριμένοι φορτιστές για προδιαγραφόμενες μπαταρίες, BLi	Τάση εισόδου, V	Συχνότητα, Hz	Ισχύς, W
QC80	100-240	50-60	80
QC80F	12	0	80
QC330	100-240	50-60	330
QC500	100-240	50-60	500

**KEES VAN DER SPEK**  
TUINMACHINES ★ STOLWIJK

---

## Δήλωση Συμμόρφωσης ΕΚ

---

### Δήλωση Συμμόρφωσης ΕΚ

Η **Husqvarna AB**, SE-561 82 Huskvarna, Σουηδία, τηλ.: +46-36-146500, δηλώνει ότι τα χλοοκοπτικά γκαζόν **Husqvarna LB 548i, LC 551iV** από το έτος 2019 και έπειτα, πληρούν τις προϋποθέσεις της ΟΔΗΓΙΑΣ του ΣΥΜΒΟΥΛΙΟΥ:

- με ημερομηνία 8 Ιουνίου 2011 σχετικά με τον "περιορισμό της χρήσης συγκεκριμένων επικινδυνών ουσιών" **2011/65/EE**
- με ημερομηνία 17 Μαΐου 2006 "σχετικά με τα μηχανήματα" **2006/42/EK**
- με ημερομηνία 26 Φεβρουαρίου 2014 "σχετικά με την ηλεκτρομαγνητική συμβατότητα" **2014/30/EE**
- με ημερομηνία 8 Μαΐου 2000 "περί εκπομπών θορύβου στο περιβάλλον" **2000/14/EK**

Για πληροφορίες σχετικά με τις εκπομπές θορύβου, βλ. την ενότητα "Τεχνικά στοιχεία".

Εφαρμόστηκαν τα ακόλουθα πρότυπα:

**IEC 60335-1:2010, IEC 60335-2-77:2002, EN 60335-1:2012, EN 60335-2-77:2010 EN/IEC 62233:2008 EN 61000-6-3:2005 EN 61000-6-1:2005**

Αν δεν ορίζεται διαφορετικά, τα παραπάνω πρότυπα αντιστοιχούν στις πιο πρόσφατες δημοσιευμένες εκδόσεις.

Κοινοποιημένος φορέας: **0404, RISE SMP Svensk Maskinprovning AB, Box 7035, SE-750 07 Uppsala** έχει πραγματοποιήσει αξιολόγηση της συμμόρφωσης σύμφωνα με το παράρτημα VI της Οδηγίας 2000/14/EK και έχει εκδώσει πιστοποιητικό με αριθμό:01/901/324 (LB 548i), 01/901/323 (LC 551iV)

Huskvarna, 2020-01-20



Claes Losdal, Διευθυντής ανάπτυξης/Προϊόντα κήπου  
(Εξουσιοδοτημένος αντιπρόσωπος της Husqvarna AB  
και υπεύθυνος για την τεχνική τεκμηρίωση)

---

## Contenido

---

Introducción.....	136	Resolución de problemas.....	152
Seguridad.....	138	Transporte, almacenamiento y eliminación.....	153
Montaje.....	146	Datos técnicos.....	154
Funcionamiento.....	147	Declaración de conformidad CE.....	156
Mantenimiento.....	150		

---

## Introducción

---

### Descripción del producto

El producto es un cortacésped giratorio conducido a pie. El modelo LB 548i utiliza BioClip para cortar la hierba y convertirla en fertilizante.

El modelo LC 551iV recoge la hierba en un recogedor de césped. Retire el recogedor de césped para utilizar la

descarga trasera de hierba. Fije un kit de trituración (accesorio) para cortar la hierba y utilizarla como abono.

### Uso previsto

Utilice el producto para cortar la hierba en jardines privados. No utilice el producto para otras tareas.

### Descripción del producto

(Fig. 1)

1. Panel de control
2. Palanca del freno del motor
3. Inhibidor de arranque
4. Recogedor de césped (LC 551iV)
5. Cubierta trasera (LC 551iV)
6. Llave de seguridad
7. Pomo del manillar (LC 551iV)
8. Palanca de ajuste del manillar (LB 548i)
9. Tapa de la batería
10. Control de la altura de corte (LC 551iV)
11. Botón de encendido/apagado
12. Botón Save
13. Indicador de SavE
14. Indicador de batería
15. Indicador de nivel de velocidad
16. Botón para reducir la velocidad
17. Botón para aumentar la velocidad
18. LED de error
19. Cubierta del equipo de corte
20. Tomas de aire
21. Placa de características
22. Mango de transmisión (LC 551iV)
23. Cargador de batería (accesorio)
24. Batería (accesorio)
25. Batería múltiple (accesorio)
26. Placa adaptadora (accesorio)
27. Adaptador de batería múltiple (accesorio)
28. Manual de usuario

### Símbolos que aparecen en el producto

(Fig. 2)

**ADVERTENCIA:** Este producto puede ser peligroso y ocasionar daños graves o mortales tanto al operador como a cualquier otra persona. Tenga cuidado y utilice el producto correctamente.

(Fig. 3)

Lea atentamente el manual de usuario y asegúrese de que entiende las instrucciones antes de utilizar este producto.

(Fig. 4)

Mantenga a las personas y animales a una distancia de seguridad respecto a la zona de trabajo.

(Fig. 5) Tenga cuidado con los objetos lanzados o rebotados.

(Fig. 6) Advertencia: Mantenga alejados las manos y los pies de la cuchilla giratoria.

(Fig. 7) Advertencia: Mantenga alejados las manos y los pies de las piezas giratorias.

(Fig. 8) Retire la llave de seguridad antes de llevar a cabo trabajos de reparación o mantenimiento.

(Fig. 9) **Símbolo medioambiental.** El producto o su embalaje no son residuos domésticos. Recíclelo en una ubicación homologada para la eliminación de equipos eléctricos y electrónicos.

(Fig. 10) El producto cumple con las directivas CE vigentes.

(Fig. 11) El producto cumple con las directivas vigentes de la Unión Aduanera Euroasiática.

(Fig. 12) El producto cumple con las directivas UkrSEPRO vigentes.

(Fig. 13) El producto cumple con las directivas RCM vigentes. Aplicable solo para Australia y Nueva Zelanda

(Fig. 14) Las emisiones sonoras en el entorno cumplen con las directivas CE vigentes. Las emisiones sonoras del producto se especifican en *Datos técnicos en la página 154* y en la etiqueta.

**IPX4** Protegido contra salpicaduras de agua.  
**IPX4**

(Fig. 19) Procedimiento de arranque: presione el botón ON/OFF, suelte el inhibidor de arranque, presione la palanca del freno del motor.

(Fig. 15) Suelte la palanca del freno del motor para detenerlo.

(Fig. 16) Lento

(Fig. 17) Rápido

(Fig. 18) Código escaneable

---

**Nota:** Los demás símbolos/etiquetas que aparecen en el producto corresponden a requisitos de homologación específicos en algunos mercados.

---

**Etiqueta del producto**

(Fig. 20)

Mantenga alejados las manos y los pies de las cuchillas giratorias.

### Responsabilidad sobre el producto

Como se estipula en las leyes de responsabilidad del producto, no nos hacemos responsables de los daños y perjuicios causados por nuestro producto si:

- El producto se ha reparado incorrectamente.
- El producto se ha reparado con piezas que no eran del fabricante o no autorizadas por el fabricante.
- El producto tiene un accesorio que no es del fabricante o no está autorizado por este.
- El producto no se ha reparado en un centro de servicio autorizado o por un organismo homologado.

---

## Seguridad

---

### Definiciones de seguridad

Las advertencias, precauciones y notas se utilizan para destacar información especialmente importante del manual.



**ADVERTENCIA:** Indica un riesgo de lesiones o incluso de muerte del usuario o de las personas cercanas si no se respetan las instrucciones del manual.



**PRECAUCIÓN:** Indica un riesgo de daños en el producto, otros materiales o el área adyacente si no se respetan las instrucciones del manual.

**Nota:** Se usa para proporcionar más información necesaria en una situación determinada.

### Instrucciones generales de seguridad



**ADVERTENCIA:** Lea las siguientes instrucciones de advertencia antes de utilizar el producto.

- Este producto es una herramienta peligrosa si se usa incorrectamente o si no se tiene cuidado. Puede causar lesiones graves o incluso la muerte si no siguen las instrucciones de seguridad.
- Este producto genera un campo electromagnético durante el funcionamiento. Este campo magnético puede, en determinadas circunstancias, interferir con implantes médicos activos o pasivos. Para reducir el riesgo de que se den condiciones que provocarían lesiones graves o letales, las personas que utilizan implantes médicos deben consultar con su

médico y con el fabricante del implante antes de poner en marcha este producto.

- Proceda siempre con cuidado y utilice siempre el sentido común. Si no está seguro de cómo manejar el producto en una situación especial, pare y consulte con su distribuidor Husqvarna antes de continuar.
- Debe tenerse en cuenta que el operador será responsable de los accidentes que involucren a otras personas o a su propiedad.
- Mantenga el producto limpio. Asegúrese de que puede leer claramente las etiquetas.
- No permita que niños ni adultos que no estén familiarizados con estas instrucciones utilicen el aparato. Las normas de seguridad locales pueden fijar límites a la edad del operador
- Si una persona con discapacidad física o mental usa el producto, asegúrese de supervisarla en todo momento. Debe haber presente en todo momento una persona mayor de edad responsable.
- No utilice el producto si está cansado, enfermo o si se encuentra bajo los efectos de

alcohol, drogas o medicamentos. Esto tiene un efecto negativo en su visión, vigilancia, coordinación y capacidad de decisión.

- No utilice el producto si está defectuoso.
- No modifique este producto ni lo utilice si puede haber sido modificado por otras personas.

## Seguridad en el área de trabajo

---



**ADVERTENCIA:** Lea las siguientes instrucciones de advertencia antes de utilizar el producto.

---

- Retire objetos tales como ramas, palos y piedras de la zona de trabajo antes de usar el producto.
- Los objetos que chocan contra el equipo de corte pueden salir despedidos y causar daños a personas y objetos. Mantenga a las personas y los animales a una distancia de seguridad respecto al producto.
- No utilice el producto en condiciones climáticas desfavorables, como niebla, lluvia, viento fuerte, frío intenso y riesgo de relámpagos. El uso del producto en condiciones

climáticas desfavorables o en entornos húmedos o mojados produce mucho cansancio. El mal tiempo puede causar condiciones peligrosas, como superficies resbaladizas.

- Preste atención a las personas, objetos y situaciones que puedan impedir el funcionamiento seguro del producto.
- Tenga cuidado con los posibles obstáculos, como raíces, piedras, ramas, hoyos y zanjas. El césped crecido puede esconder obstáculos.
- Cortar el césped en pendientes puede resultar peligroso. No utilice la máquina en pendientes excesivamente pronunciadas. No utilice el producto en pendientes de más de 15°.
- Tenga sumo cuidado al cambiar de dirección en pendientes. Utilice el producto a lo largo de las laderas de las pendientes. No se desplace hacia arriba y hacia abajo.
- Tenga cuidado cuando se acerque a esquinas y objetos escondidos que puedan bloquear su campo de visión.

## Seguridad en el trabajo

---



**ADVERTENCIA:** Lea las siguientes instrucciones de advertencia antes de utilizar el producto.

---

- Utilice este producto para cortar solamente césped. No está permitido utilizar el producto para otras tareas.
- Utilice el equipo de protección personal. Consulte la sección *Equipo de protección personal en la página 141*.
- Asegúrese de que sabe cómo detener el motor rápidamente en caso de emergencia.
- No utilice el producto bajo la lluvia ni en ambientes húmedos. El riesgo de sacudida eléctrica aumenta si entra agua en el producto.
- No utilice el producto a menos que la cuchilla y todas las cubiertas estén fijadas correctamente. Una cuchilla fijada incorrectamente puede soltarse y provocar daños personales.
- Asegúrese de que la cuchilla no golpea ningún objeto, como piedras y raíces. Esto puede causar daños a la cuchilla y doblar el eje del motor. Un eje doblado causa vibraciones



- excesivas y un riesgo muy alto de que la cuchilla se suelte.
- Si la cuchilla choca con algún objeto o si se producen vibraciones, pare el producto inmediatamente. Pare el motor, tire hacia arriba de la llave de seguridad y retire la batería. Examine el producto para comprobar si presenta daños. Repare los daños o lleve el producto a un taller de servicio autorizado para realizar la reparación.
  - No acople la palanca del freno del motor permanentemente al manillar cuando el motor esté encendido.
  - Ponga el producto en una superficie plana y estable, y arránquelo. Asegúrese de que la cuchilla no entre en contacto con el suelo u otros objetos.
  - Manténgase siempre detrás del producto durante su uso.
  - Mientras utilice el producto, mantenga todas las ruedas apoyadas en el suelo y las dos manos en el manillar. Mantenga alejados las manos y los pies de las cuchillas giratorias.
  - No incline el producto con el motor en marcha.
  - Tenga cuidado cuando tire del producto hacia atrás.
  - Nunca levante el producto con el motor en marcha. Si tiene que levantar el producto, en primer lugar detenga el motor, tire hacia arriba de la llave de seguridad y retire la batería.
  - No camine hacia atrás mientras utiliza el producto.
  - Detenga el motor cuando se desplace por áreas sin hierba, por ejemplo, caminos de grava, piedra y asfalto.
  - No corra con el producto con el motor en marcha. Camine siempre mientras utiliza el producto.
  - Detenga el motor antes de cambiar la altura de corte. Nunca realice ajustes con el motor en marcha.
  - No deje el producto desatendido con el motor en marcha. Pare el motor y asegúrese de que el equipo de corte no gire.

#### Instrucciones de seguridad para el funcionamiento

#### Equipo de protección personal



**ADVERTENCIA:** Lea las siguientes instrucciones de advertencia antes de utilizar el producto.

- El equipo de protección personal no elimina completamente el riesgo de lesiones, pero reduce la gravedad de las lesiones en caso de accidente. Deje que el distribuidor le ayude a seleccionar el equipo adecuado.
- Utilice botas o zapatos de trabajo antideslizantes. No utilice calzado abierto ni vaya descalzo.
- Utilice pantalones largos gruesos.
- Utilice guantes protectores cuando sea necesario, por ejemplo, para el montaje, inspección o limpieza del equipo de corte.

## Dispositivos de seguridad en el producto



**ADVERTENCIA:** Lea las siguientes instrucciones de advertencia antes de utilizar el producto.

- No utilice un producto que tenga dispositivos de seguridad defectuosos.
- Realice una comprobación de los dispositivos de seguridad con frecuencia. Si los dispositivos de seguridad están defectuosos, hable con

su taller de servicio Husqvarna.

## Comprobación de la cubierta del equipo de corte

La cubierta del equipo de corte disminuye las vibraciones en el producto y el riesgo de lesiones provocadas por la cuchilla.

- Examine la cubierta de corte para asegurarse de que no haya daños como, por ejemplo, grietas.

## Llave de seguridad

La llave de seguridad se encuentra debajo de la tapa de la batería. La llave de seguridad conecta la batería que suministra electricidad al motor.

## Comprobación de la llave de seguridad

La llave de seguridad conecta la batería que suministra electricidad al motor.

- Arranque y pare el motor. Si la llave de seguridad funciona correctamente, el motor solo puede arrancar cuando la llave está en el cierre de seguridad.

## Palanca del freno del motor

La maneta del freno del motor detiene el motor. Cuando se suelta la maneta del freno del motor, el motor se para.

Para realizar una comprobación del freno del motor, arranque el motor y luego suelte la maneta del freno del motor. Si el motor no se detiene en 3 segundos, lleve el producto a un taller de servicio Husqvarna autorizado para realizar el ajuste del freno del motor.

(Fig. 21)

### Para examinar el inhibidor de arranque

Compruebe el inhibidor de arranque para verificar que evita el funcionamiento del motor.

1. Empuje la palanca del freno del motor hacia el manillar. El inhibidor de arranque impide el movimiento.
2. Empuje el inhibidor de arranque hacia fuera. (Fig. 22)
3. Suelte el inhibidor de arranque y asegúrese de que regresa a su posición inicial.

## Seguridad de la batería



**ADVERTENCIA:** Lea las siguientes instrucciones de advertencia antes de utilizar el producto.

- Utilice solamente pilas recargables Husqvarna como fuente de alimentación para otros productos Husqvarna relacionados. Para evitar lesiones, no utilice la batería como fuente de alimentación de otros dispositivos.
- No utilice baterías no recargables.
- Riesgo de descarga eléctrica. No conecte los terminales de la batería a llaves, monedas, tornillos u otros objetos metálicos. Esto puede provocar un cortocircuito en la batería.
- No coloque objetos en las ranuras de ventilación de la batería.
- Mantenga la batería lejos de la luz directa del sol, de fuentes de calor o de llamas abiertas. La batería puede explotar y provocar quemaduras graves y/o quemaduras químicas.
- Mantenga la batería resguardada de la lluvia y la humedad.

- Mantenga la batería lejos de microondas y fuentes de alta presión.
- No intente desmontar o romper la batería.
- Si se produce una fuga en la batería, no permita que el líquido entre en contacto con el cuerpo ni con los ojos. Si toca el líquido, limpie el área con abundante agua y busque asistencia médica.
- Utilice la batería con temperaturas de entre -10 °C y 40 °C.
- No limpie la batería o el cargador con agua. Consulte *Para limpiar la batería y el cargador de la batería en la página 151.*
- No utilice una batería defectuosa o dañada.
- Guarde la batería alejada de objetos metálicos, como clavos, monedas o joyas.

## Seguridad del cargador de la batería



**ADVERTENCIA:** Lea las siguientes instrucciones de advertencia antes de utilizar el producto.

- Utilice solamente cargadores de baterías QC para cargar las baterías de repuesto Husqvarna.
- Riesgo de sacudida eléctrica o cortocircuito. No coloque objetos en las ranuras de ventilación del cargador. No intente desmontar el cargador de batería. No conecte los terminales del cargador a objetos metálicos. Utilice una toma de corriente homologada.
- Este producto genera un campo electromagnético durante el funcionamiento. Este campo magnético puede, en determinadas circunstancias, interferir con implantes médicos activos o pasivos. Para reducir el riesgo de que se den condiciones que provocarían lesiones graves o letales, las personas que utilizan implantes médicos deben consultar con su médico y con el fabricante del implante antes de poner en marcha este producto.
- Compruebe con regularidad que el cable de alimentación del cargador de batería no esté dañado ni agrietado.
- No levante el cargador de la batería tirando del cable de alimentación. Para desconectar el cargador de batería de la toma de

corriente, tire del enchufe. No tire del cable de alimentación.

- Mantenga el cable de alimentación y los cables de empalme apartados de agua, aceite y cantos agudos. Proceda con cuidado para evitar que el cable se enganche en puertas, vallas o similares. De lo contrario, el cargador podría transmitir corriente.
- No limpie el cargador de la batería con agua.
- Los niños mayores de ocho años y las personas con facultades físicas, psíquicas o sensoriales disminuidas, o sin la experiencia y los conocimientos necesarios pueden usar el cargador de batería si se les supervisa o instruye en lo que respecta al uso seguro del aparato y comprenden los peligros existentes. Los niños no deben jugar con el cargador de batería. Los niños no deberán llevar a cabo la limpieza ni el mantenimiento del usuario sin supervisión.
- No intente cargar baterías no recargables en el cargador de la batería.
- No utilice el cargador de batería cerca de materiales

inflamables o corrosivos. No cubra el cargador. Desenchufe el cargador de batería en caso de humareda o incendio.

- No utilice un cargador de batería defectuoso o dañado.
- Solo cargue la batería en interiores si se trata de una estancia con buena ventilación y lejos de la luz solar directa. No cargue la batería en un entorno húmedo.

### Instrucciones de seguridad para el mantenimiento



**ADVERTENCIA:** Lea las siguientes instrucciones de advertencia antes de utilizar el producto.

- Retire la llave de seguridad antes de realizar tareas de mantenimiento en el producto.
- Realice los trabajos de mantenimiento correctamente para aumentar la vida útil del producto y reducir el riesgo de accidentes. Deje que un taller de servicio homologado haga las reparaciones profesionales. Póngase en contacto con su taller de servicio más cercano para obtener más información.

- Realice únicamente las tareas de mantenimiento que figuran en este manual de usuario.
- Utilice guantes resistentes al utilizar el equipo de corte. La cuchilla está muy afilada y se pueden producir cortes con mucha facilidad.
- Mantenga los bordes cortantes afilados y limpios para obtener los mejores resultados con la máxima seguridad.
- Diríjase a su taller de servicio para que examine el producto regularmente y para que realice ajustes y reparaciones necesarios.
- Cambie las piezas dañadas, desgastadas o rotas.
- Respete las instrucciones correspondientes al cambio de accesorios. Utilice únicamente los accesorios del fabricante.
- Cuando no esté en funcionamiento, mantenga el producto, la batería y cargador de batería aparte en un lugar seco, interior y bajo llave. Asegúrese de que los niños y personas que no cuenten con autorización no puedan acceder al producto, la batería o el cargador de batería.

---

## Montaje

---

### Introducción



**ADVERTENCIA:** Asegúrese de leer y comprender el capítulo sobre seguridad antes de montar el producto.

### Extracción e instalación de la batería múltiple (accesorio)

1. Retire las 4 cubiertas de goma y los 4 tornillos de la cubierta del motor. (Fig. 23)
2. Coloque la placa adaptadora en la cubierta del motor.
3. Fije la placa adaptadora con los 4 tornillos que se suministran a un par de 5-6 Nm. (Fig. 24)
4. Abra la tapa de la batería.
5. Retire la batería de la ranura 1. (Fig. 25)
6. Retire el tope de la junta. (Fig. 26)
7. Inserte el adaptador de la batería en el compartimento de la batería hasta que oiga un clic. (Fig. 27)
8. Introduzca el cable del adaptador de la batería a través del orificio del tope de la junta. Sujete el cable con la pinza. (Fig. 28)

9. Instale la batería múltiple en el adaptador de la batería.
10. Conecte la batería múltiple al adaptador de la batería. (Fig. 29)
11. Sujete el cable del adaptador de la batería al manillar con las 3 correas de tela. (Fig. 30)
12. Retire la batería múltiple siguiendo el orden inverso.



**ADVERTENCIA:** No deje el cable demasiado suelto en el manillar. El cable puede desprenderse del manillar y provocar lesiones.

### Montaje del manillar (LC 551iV)

1. Afloje las ruedecillas inferiores.
2. Mueva los mandos hacia el extremo inferior de las ranuras en el lado izquierdo y derecho del producto. (Fig. 31)
3. Ajuste la altura del manillar en una de las 2 posiciones disponibles.
4. Mueva los mandos hacia arriba, en dirección al manillar, hasta que finalice su recorrido y escuche un clic. (Fig. 32)
5. Apriete las ruedecillas a fondo.

## Montaje del manillar (LB 548i)

1. Retire la tuerca de la empuñadura y la arandela de la placa del manillar superior.
2. Coloque la empuñadura superior en su sitio en la parte superior del mango inferior.



**PRECAUCIÓN:** Asegúrese de que los cables no están atrapados ni se han dañado.

3. Fije la arandela y la palanca de ajuste del manillar. (Fig. 33)
4. Gire la palanca hacia un lado para una buena posición de manejo cuando utilice el producto cerca de una pared. (Fig. 34)

## Para montar el recogedor de césped (LC 551iV)

1. Coloque el bastidor del recogedor de césped en la bolsa de hierba con la parte rígida de la bolsa en la parte inferior. Mantenga el asa del bastidor en la parte superior de la bolsa para césped. (Fig. 35)

2. Coloque la parte inferior del bastidor del recogedor de césped en la ranura de la parte inferior del recogedor de césped.
3. Fije la bolsa para césped al bastidor del recogedor de césped con los clips. (Fig. 36)
4. Levante la cubierta trasera.
5. Encaje el recogedor de césped en el borde superior del chasis.
6. Coloque la parte inferior del recogedor de césped en el canal de descarga. (Fig. 37)

## Montaje del triturador (accesorio del modelo LC 551iV)

1. Levante la cubierta trasera y extraiga el recogedor de césped.
2. Coloque el accesorio triturador en el canal de descarga. (Fig. 38)
3. Sustituya la cuchilla por la cuchilla trituradora que se suministra en el kit de trituración. Consulte la sección *Para sustituir la cuchilla en la página 151*.

# Funcionamiento

## Introducción



**ADVERTENCIA:** Antes de utilizar el producto, debe leer y entender el capítulo sobre seguridad.

## Husqvarna Connect

Husqvarna Connect es una aplicación gratuita para su dispositivo móvil. La aplicación Husqvarna Connect proporciona más funciones para su producto Husqvarna:

- Información ampliada sobre el producto.
- Información y asistencia sobre piezas y mantenimiento de productos.

## Para empezar a utilizar Husqvarna Connect

1. Descargue la aplicación Husqvarna Connect en su dispositivo móvil.
2. Registre una cuenta en la aplicación Husqvarna Connect.
3. Siga las instrucciones de la aplicación Husqvarna Connect para conectarse y registrar el producto.

## Husqvarna Fleet Services™

Husqvarna Fleet Services™ es una solución en la nube que proporciona al gerente de flotas comercial una visión general de todos los productos. Husqvarna Fleet Services™ se incluye en el LC 551iV. Para obtener más información acerca de Husqvarna Fleet Services™, consulte [www.husqvarna.com](http://www.husqvarna.com).

## Preparación del sensor (accesorio)

1. Utilice la llave del sensor para abrir la tapa del sensor. (Fig. 39)
2. Retire el sensor.
3. Conecte la batería al sensor. Se enciende el indicador LED del sensor. (Fig. 40)
4. Descargue la aplicación Husqvarna Fleet Services™.
5. Inicie sesión en la aplicación Husqvarna Fleet Services™.
6. Realice el emparejamiento. Consulte *Emparejamiento de la aplicación y el producto en la página 147*

## Emparejamiento de la aplicación y el producto

1. Inicie sesión en la aplicación Husqvarna Fleet Services™.
2. Seleccione el producto en la aplicación.
3. Escanee el código que se encuentra detrás del sensor con su dispositivo móvil para instalar el sensor en la aplicación.

**Nota:** La aplicación y el producto deben emparejarse solamente una vez.

## Instalación del sensor

1. Asegúrese de que el sensor está conectado a la aplicación Husqvarna Fleet Services™. Consulte la sección *Emparejamiento de la aplicación y el producto en la página 147*.

- Perfore 2 orificios según las marcas de la ranura de la carcasa. (Fig. 41)

**Nota:** Asegúrese de que los orificios tengan las mismas dimensiones que los remaches suministrados con el sensor.

- Utilice unos alicates para abrir los orificios exteriores de la ranura del sensor. (Fig. 42)
- Perfore 2 orificios según las marcas de la ranura del sensor. (Fig. 43)
- Alinee la ranura del sensor con la ranura de la carcasa. (Fig. 44)
- Fije la ranura del sensor con los remaches.
- Instale el sensor en la ranura del sensor. Alinee la marca blanca del sensor con la marca de la ranura del sensor. (Fig. 45)
- Cierre la tapa del sensor y bloquéela con la llave del sensor. Asegúrese de que la parte superior de la "H" de Husqvarna apunta lejos de la llave de seguridad. (Fig. 46)

## Ajuste del producto en la posición de trabajo (LC 551iV)

- Coloque el manillar en posición vertical. (Fig. 47)
- Mueva las ruedecillas hacia arriba, en dirección al manillar, hasta que finalice su recorrido y escuche un clic. (Fig. 32)
- Apriete las ruedecillas a fondo.

## Para ajustar la altura de corte

La altura de corte puede ajustarse en 6 niveles.

- Empuje el control de altura de corte en la dirección de la rueda y, a continuación, hacia atrás para aumentar la altura de corte.
- Empuje el control de altura de corte en la dirección de la rueda y, a continuación, hacia delante para reducir la altura de corte. (Fig. 48)



**PRECAUCIÓN:** No ajuste la altura de corte demasiado baja. Las cuchillas pueden golpear el suelo si la superficie del césped no está nivelada.

## Batería



**ADVERTENCIA:** Antes de usar la batería, debe leer y entender el capítulo sobre seguridad. También debe leer y comprender el manual de usuario de la batería y el cargador de la batería.

## Estado de la batería

La pantalla muestra la capacidad restante de la batería y si hay algún problema con la batería. La carga de la batería se muestra durante cinco segundos después de

apagar el producto o pulsar el botón del indicador de la batería. El símbolo de advertencia de la batería se enciende cuando se produce un error. Consulte *Batería en la página 152*.

(Fig. 49)

Indicadores LED	Estado de la batería
Todos los LED están encendidos	Carga completa (75-100 %)
LED 1, LED 2 y LED 3 encendidos	La batería tiene una carga del 50 %-75 %
LED 1 y LED 2 encendidos	La batería tiene una carga del 25 %-50 %
LED 1 encendido	La batería tiene una carga del 0 %-25 %.
El LED 1 parpadea	La batería está descargada. Cargue la batería.

## Para cargar la batería

Cargue la batería antes de utilizarla por primera vez. La batería solo tiene un 30 % de carga cuando se entrega al cliente.

**Nota:** El cargador de la batería debe estar conectado a la tensión y la frecuencia indicadas en la placa de características.

La batería no se cargará si su temperatura es superior a 50 °C. El cargador de batería disminuye la temperatura de la batería antes de empezar a cargarse.

- Conecte un extremo del cable de alimentación del cargador de batería a la toma de este último.
- Conecte el otro extremo del cable de alimentación del cargador de batería a un enchufe de corriente con toma de tierra. El LED del cargador de batería parpadea de color verde una vez. (Fig. 50)
- Coloque la batería en el cargador. La luz verde del cargador se enciende cuando la batería está conectada correctamente al cargador de batería. (Fig. 51)
- Cuando todos los LED de la batería se hayan encendido, la batería estará totalmente cargada. Cargue la batería durante un máximo de 24 horas.
- Para desconectar el cargador de la toma de corriente, tire del enchufe, no del cable de alimentación.
- Retire la batería del cargador.

## Estado de la carga de la batería

Una batería de iones de litio de Husqvarna se puede cargar o utilizar sea cual sea su nivel de carga. La batería no sufre daños. La carga de una batería completamente cargada no se pierde aun cuando se deje en el cargador.



Indicadores LED	Estado de carga
El LED 1 parpadea	0 %-25 %
LED 1 encendido y LED 2 parpadeando	25 %-50 %
LED 1 y LED 2 encendidos; LED 3 parpadeando.	50 %-75 %
LED 1, LED 2 y LED 3 encendidos; LED 4 parpadeando.	75 %-100 %
LED 1, LED 2, LED 3 y LED 4 encendidos	Completamente cargada

## Carga de la batería múltiple

**Nota:** Cargue la batería si es la primera vez que la utiliza. Una batería nueva solo tiene una carga del 30 %.

1. Asegúrese de que la batería está seca.
2. Conecte la batería múltiple al adaptador. (Fig. 52)
3. Ponga el adaptador en el cargador de la batería.
4. Asegúrese de que se enciende el LED de carga verde en el cargador. Esto significa que el adaptador y la batería múltiple están conectados correctamente. (Fig. 53)
5. Cuando todos los LED de la batería se hayan encendido y el adaptador muestre un nivel de un 100 %, la batería estará totalmente cargada. (Fig. 54)

El adaptador muestra el estado de carga en incrementos del 1 %. Es posible que se produzcan pequeñas desviaciones al inicio de la carga.

6. Para desconectar el cargador de batería de la toma de corriente, tire del enchufe. No tire del cable.
7. Retire el adaptador del cargador de batería.
8. Extraiga la batería múltiple del adaptador.

**Nota:** Consulte los manuales de la batería múltiple y del cargador para obtener más información.

## Arranque del producto

1. Levante la tapa de la batería.
2. Coloque una batería cargada en la ranura de batería número 1 debajo de la tapa de la batería. Para prolongar la autonomía, coloque una segunda batería cargada en la ranura número 2.
3. Desconecte la llave de seguridad del soporte de la llave de seguridad.
4. Introduzca la llave de seguridad en el cierre de seguridad. (Fig. 55)
5. Manténgase detrás del producto.

6. Pulse el botón ON/OFF en el panel de control. La pantalla se enciende.
7. Afloje el inhibidor de arranque. (Fig. 22)
8. Empuje la palanca del freno del motor hacia el manillar. (Fig. 56)

## Para usar la transmisión en las ruedas (LC 551iV)

- Tire del mango de transmisión en la dirección del manillar para arrancar la transmisión. (Fig. 57)
- Pulse + y - en el panel de control para ajustar la velocidad de la transmisión en 4 pasos. (Fig. 58)
- Suelte el mango de transmisión para desacoplar la transmisión, por ejemplo, cuando se acerque a un obstáculo.

## Para usar la función SaveE

El producto cuenta con una función de ahorro de batería (SaveE) que le permite funcionar durante más tiempo.

1. Pulse el botón SaveE (A) para activar la función. El símbolo de SaveE (B) se enciende en la pantalla.
2. Pulse de nuevo el botón SaveE para detener la función. El símbolo de SaveE (B) se apaga en la pantalla. (Fig. 59)

La función SaveE se detiene automáticamente si las condiciones del terreno requieren una mayor potencia. La función SaveE se vuelve a poner en marcha de automáticamente cuando las condiciones del terreno lo permiten.

## Función PowerBoost

Cuando el producto corta hierba larga o húmeda, el motor aumenta automáticamente las revoluciones. Para ahorrar batería, el motor regresa automáticamente al modo estándar cuando no es necesaria la función PowerBoost.

## Parada del producto

El producto se detiene automáticamente si no se utiliza durante 3 minutos.

1. Suelte la palanca del freno del motor para detener el motor. (Fig. 21)
2. Pulse el botón ON/OFF en el panel de control. Todas las luces LED y símbolos que aparecen en la pantalla se apagarán. (Fig. 60)
3. Retire la llave de seguridad del cierre de seguridad y colóquela en el soporte de la llave de seguridad.

## Para obtener un buen resultado

- Use siempre una cuchilla afilada. Un cuchilla roma proporciona un resultado irregular y la superficie de corte de la hierba adquiere un tono amarillo. Una cuchilla afilada también utiliza menos energía que una cuchilla roma.

- No corte más de 1/3 de la longitud del césped. Corte primero con una altura de corte alta. Examine el resultado y baje la altura de corte al nivel que corresponda. Si la hierba está muy larga, vaya despacio y corte dos veces si es necesario.
- Corte en direcciones distintas cada vez para evitar crear rayas en el césped.

2. Si hay un triturador y una cuchilla trituradora instalados, retírelos.
3. Cierre la cubierta trasera antes de utilizar el producto.

Cuando se utiliza el producto, la hierba cortada se expulsa por debajo de la cubierta posterior.

## Corte de césped sin un recogedor de césped o un triturador instalado (LC 551iV)

1. Levante la cubierta trasera y extraiga el recogedor de césped.

## Mantenimiento

### Introducción



**ADVERTENCIA:** Antes de realizar cualquier trabajo de mantenimiento, debe leer y entender el capítulo sobre seguridad.

Para todos los trabajos de mantenimiento y reparación del producto, es necesario realizar una formación especial. Nosotros garantizamos que los trabajos de mantenimiento y reparación sean realizados por profesionales. Si su distribuidor no es un taller de

servicio, pídale información sobre el taller de servicio más cercano.

### Programa de mantenimiento

Los intervalos de mantenimiento se calculan a partir del uso diario del producto. Los intervalos cambian si el producto no se utiliza a diario.

Para las tareas de mantenimiento, identificadas con \*, consulte *Instrucciones de seguridad para el funcionamiento en la página 141*.

	A cada uso	Mensual	Cada temporada
Inspección general	X		
Limpie las tapas de la transmisión. Asegúrese de que no haya césped sobre el motor	X		
Realice una comprobación del inhibidor de arranque *	X		
Compruebe que los dispositivos de seguridad del producto no estén defectuosos *	X		
Compruebe el recogedor de césped para ver si presenta desgaste o deterioro	X		
Inspeccione el equipo de corte	X		
Examine la cubierta de corte *	X		
Realice una comprobación de la palanca del freno del motor *	X		
Asegúrese de que el botón de encendido/apagado funciona correctamente y que no está defectuoso	X		
Examine la batería en busca de posibles daños	X		
Compruebe la carga de la batería	X		
Compruebe que los botones de liberación de la batería funcionan correctamente y que la batería se acopla al producto	X		
Limpie las tomas de aire. Asegúrese de que no haya césped o suciedad en las tomas de aire	X		

	A cada uso	Mensual	Cada temporada
Examine el cargador de la batería para ver si está dañado y asegúrese de que funciona correctamente		X	
Examine las conexiones entre la batería y el producto. Examine también la conexión entre la batería y el cargador de la batería			X

## Para realizar una inspección general

- Asegúrese de que las tuercas y los tornillos del producto estén bien apretados.
- Asegúrese de que los cables del producto no están en una posición en la que puedan resultar dañados.

## Para sustituir la cuchilla

1. Bloquee la cuchilla con un bloque de madera. (Fig. 61)
2. Retire el tornillo de la cuchilla, la arandela y la cuchilla. (Fig. 62)
3. Inspeccione el soporte de la cuchilla y el tornillo de la cuchilla para ver si hay daños.
  - a) Si sustituye el disco o el soporte, sustituya también el tornillo de la cuchilla, la arandela elástica y la arandela de fricción.
4. Inspeccione el eje del motor para asegurarse de que no está doblado.
5. Cuando instale la nueva cuchilla, asegúrese de que los extremos doblados estén orientados en dirección a la cubierta de corte. (Fig. 63)
6. Coloque la arandela de fricción y la cuchilla contra el soporte de la cuchilla. (Fig. 64)
7. Asegúrese de que la cuchilla se encuentra alineada con el centro del eje del motor. (Fig. 65)
8. Bloquee la cuchilla con un bloque de madera. (Fig. 66)
9. Coloque la arandela elástica, y apriete el tornillo a 65-75 Nm de par. (Fig. 67)
10. Mueva la cuchilla en distintas direcciones manualmente y compruebe que gira libremente.



**ADVERTENCIA:** Utilice guantes protectores. La cuchilla está muy afilada y se pueden producir cortes con mucha facilidad.

11. Arranque el producto para hacer una prueba de la cuchilla. Si la cuchilla no está correctamente fijada, se produce una vibración en el producto o el resultado de corte no es satisfactorio.

## Limpieza del producto

- Limpie las piezas de plástico con un paño limpio y seco.

- No utilice agua para limpiar el producto. El agua puede entrar en la batería o el motor y causar un cortocircuito o daños en el producto.
- No utilice un equipo de limpieza a alta presión para limpiar el producto.
- No vierta agua directamente sobre el motor.
- Use un cepillo para retirar las hojas, la hierba y la suciedad.

## Para limpiar la batería y el cargador de la batería



**PRECAUCIÓN:** No limpie la batería o el cargador con agua.

- Asegúrese de que batería y cargador estén limpios y secos antes de colocar la batería en el cargador.
- Limpie los bornes de la batería con aire comprimido o con un paño suave y seco.
- Limpie las superficies de la batería y el cargador con un paño suave y seco.

## Para inspeccionar el equipo de corte



**ADVERTENCIA:** Para evitar un arranque accidental, tire hacia arriba de la llave de seguridad, retire la batería y espere al menos 5 segundos.



**ADVERTENCIA:** Utilice guantes protectores cuando realice el mantenimiento del equipo de corte. La cuchilla está muy afilada y se pueden producir cortes con mucha facilidad.

1. Inspeccione el equipo de corte para comprobar si presenta daños o grietas. Sustituya siempre un equipo de corte dañado.
2. Inspeccione la cuchilla para comprobar si está dañada o roma.

**Nota:** Después de afilar la cuchilla, es necesario equilibrarla. El afilado, la sustitución y el equilibrado de la cuchilla deben realizarse en un centro de servicio. Si choca con un obstáculo que haga que el producto se pare, sustituya la cuchilla dañada. Lleve el producto a un centro de servicio, donde estimarán si la cuchilla puede afilarse o debe sustituirse.

## Resolución de problemas

### Batería

Indicador LED de la batería	Posibles errores	Procedimiento posible
El LED verde parpadea	La tensión de la batería es baja	Cargue la batería. Consulte <i>Para cargar la batería en la página 148</i> .
El LED de error parpadea	La batería está baja	Cargue la batería. Consulte <i>Batería en la página 152</i> .
	La temperatura en el entorno de trabajo es demasiado alta o demasiado baja	Utilice la batería con temperaturas de entre -10 °C y 40 °C.
	Sobretensión	Compruebe que la tensión de la red eléctrica sea la misma que la que figura en la placa de características del producto.  Retire la batería del cargador. Espere 5 segundos y vuelva a intentar cargar la batería. Si el problema persiste, diríjase a un taller de servicio oficial.
El LED de error está encendido	Demasiada diferencia de célula (1 V)	Acuda a un taller de servicio autorizado.

### Cargador de baterías

LED del cargador de batería	Posibles errores	Procedimiento posible
El LED de error parpadea	La temperatura en el entorno de trabajo es demasiado alta o demasiado baja	Utilice el cargador de batería con temperaturas de entre 5 °C y 40 °C.
El LED de error está encendido		Acuda a un taller de servicio autorizado

### Panel de control

Código de error (Número de destellos)	Posibles errores	Procedimiento posible
1	El motor de la transmisión está demasiado caliente.	Deje enfriar el producto. Asegúrese de que no haya césped en la transmisión. Limpie la tapa de la transmisión si es necesario.
5	El régimen del motor disminuye demasiado y el motor se detiene.	Limpie el equipo de corte y aumente la altura de corte. Consulte la sección <i>Para ajustar la altura de corte en la página 148</i> . Si el error persiste, diríjase a un taller de servicio oficial.
8	La batería está baja.	Cargue la batería. Consulte la sección <i>Para cargar la batería en la página 148</i> .
9	Error de batería o ausencia de señal de la batería.	Coloque la batería en el producto correctamente y examine el conector de la batería. Si el LED de error de la batería parpadea, consulte <i>Batería en la página 148</i> .

Código de error (Número de destellos)	Posibles errores	Procedimiento posible
10	El control del motor está demasiado caliente.	Detenga el motor y espere hasta que se haya enfriado.
Otros errores	Si se producen otros errores, retire la llave de seguridad y la batería, y diríjase a un taller de servicio oficial.	

## Transporte, almacenamiento y eliminación

### Introducción



**ADVERTENCIA:** Para evitar un arranque accidental durante el transporte, tire hacia arriba de la llave de seguridad, retire la batería y espere al menos 5 segundos.

### Ajuste del producto a la posición de transporte (LC 551iV)

1. Afloje las ruedecillas inferiores.
2. Mueva las ruedecillas hacia el extremo inferior de las ranuras en el lado izquierdo y derecho del producto. (Fig. 31)
3. Doble el mango hacia delante. (Fig. 68)
4. Retire el recogedor de césped.

### Transporte

- Las disposiciones de la legislación sobre mercancías peligrosas se aplican a las baterías de iones de litio incluidas en el producto.
- Para los transportes comerciales, se deben acatar los requisitos especiales sobre embalajes y etiquetas.
- Asegúrese de que se cumplan las disposiciones sobre materiales peligrosos cuando prepare el producto para su transporte. Se pueden aplicar las regulaciones locales.
- No olvide extraer la batería para el transporte.
- Coloque cinta aislante en los conectores de la batería y asegúrese de que la batería no se desplace durante el transporte.
- Fije el producto durante el transporte.

### Almacenamiento

- Extraiga siempre la batería para el almacenamiento.
- Para evitar accidentes, asegúrese de que la batería no esté conectada al producto durante el almacenamiento.

- Mantenga el cargador de batería en un lugar cerrado y seco.
- Mantenga la batería y el cargador de batería en un lugar seco donde no haya humedad ni escarcha.
- Cuando guarde la batería, desconéctela del cargador.
- No almacene la batería en lugares donde pueda generarse electricidad estática. No guarde la batería en una caja metálica.
- Conserve la batería en un lugar con una temperatura entre 5 °C y 25 °C y alejada de la luz solar.
- Conserve el cargador de batería en un lugar con una temperatura entre 5 °C y 45 °C y alejada de la luz solar.
- Asegúrese de que la batería esté cargada al 30 %-50 % antes de guardarla durante largos periodos de tiempo.
- Mantenga el producto, la batería y cargador de batería en un lugar bajo llave fuera del alcance de los niños y de personas sin autorización.
- Limpie el producto y realice un mantenimiento completo antes de almacenarlo durante un periodo de tiempo prolongado.

### Eliminación

Los símbolos del producto o del embalaje del producto indican que este producto no puede desecharse como residuo doméstico. Debe enviarse a una estación de reciclaje apropiada para la recuperación de piezas eléctricas y electrónicas.

Si se asegura de que se trata este producto correctamente, puede ayudar a contrarrestar el posible impacto negativo para el medio ambiente y las personas que podría darse por una gestión incorrecta de los residuos del mismo. Si desea información más detallada sobre el reciclaje de este producto, póngase en contacto con su ayuntamiento, el servicio de recogida de basuras o la tienda donde lo adquirió.

(Fig. 69)

## Datos técnicos

### Datos técnicos

	LB 548i	LC 551iV
<b>Motor de corte</b>		
Tipo de motor	BLDC (sin cepillo) 36 V	BLDC (sin cepillo) 36 V
Régimen del motor (SavE), rpm*	2600	2600
Régimen del motor (nominal), rpm*	3000	3000
Régimen del motor (carga alta), rpm*	3300	3300
Potencia del motor (máx.), kW	1,8	1,8
Potencia del motor (nominal), kW	1.5	1.5
<b>Motor de accionamiento</b>		
Potencia del motor (nominal), kW	N/P	0,3
Velocidad de movimiento, km/h	N/P	3,0-5,0
Niveles de ajuste de velocidad	N/P	4
<b>Peso</b>		
Peso sin batería, kg	31	41
<b>Batería</b>		
Tipo de batería	Serie con batería Husqvarna	Serie con batería Husqvarna
<b>Duración de la batería</b>		
Autonomía de la batería, min., (funcionamiento continuo) con modo SavE activado, con una batería Husqvarna de 5,2 Ah (Bli200).	40	30
Autonomía de la batería, min., (funcionamiento continuo) con modo estándar activado, con una batería Husqvarna de 5,2 Ah (Bli200).	30	20
<b>Emisiones de ruido</b> <sup>19</sup>		
Nivel de potencia acústica medida, dB(A)	93	97
Nivel de potencia acústica garantizado L <sub>WA</sub> dB(A)	93	97
<b>Niveles acústicos</b> <sup>20</sup>		
Nivel de presión sonora en el oído del operario, dB (A)	80	84
<b>Niveles de vibraciones</b> <sup>21</sup>		
Manillar, m/s <sup>2</sup>	0,3	0,3

<sup>19</sup> Emisiones sonoras en el entorno medidas como potencia acústica (L<sub>WA</sub>) según la directiva CE 2000/14/CE.

<sup>20</sup> Los datos referidos del nivel de presión sonora tienen una dispersión estadística habitual (desviación típica) de 1,2 dB (A).

<sup>21</sup> Los datos referidos del nivel de vibración poseen una dispersión estadística habitual (desviación típica) de 0,2 m/s<sup>2</sup>. Vibración estándar EN 60335-2-77:2017 capítulo 20.105

	LB 548i	LC 551iV
<b>Equipo de corte</b>		
Altura de corte, mm	20-75	20-75
Anchura de corte, cm	48	51
Cuchilla estándar	Cuchilla trituradora 597466510	Cuchilla recogedora 597466310
Accesorio de cuchilla	N/A	Cuchilla trituradora 597466410
Capacidad del recogedor de césped, l	N/A	65

\* Revoluciones por minuto

Baterías homologadas	Tipo	Capacidad de la batería, Ah	Tensión, V	Peso, lb/kg
BLi20	lones de litio	4,0	36	2,6/1,2
BLi200	lones de litio	5,2	36	2,8/1,3
BLi300	lones de litio	9,4	36	4,1/1,9
BLi550X	lones de litio	15,6	36	12,4/5,6
BLi950X	lones de litio	31,1	36	15,4/7,0

K E E S V A N D E R S P E K

Cargadores de baterías homologados para las baterías especificadas, BLi	Tensión de entrada, V	Frecuencia, Hz	Potencia, W
QC80	100-240	50-60	80
QC80F	12	0	80
QC330	100-240	50-60	330
QC500	100-240	50-60	500

---

## Declaración de conformidad CE

---

### Declaración CE de conformidad

**Husqvarna AB**, SE-561 82 Huskvarna (Suecia), tel.: +46-36-146500, declara que el **cortacésped Husqvarna LB 548i, LC 551iV** del año 2019 y siguientes cumple los requisitos expuestos en la DIRECTIVA DEL CONSEJO:

- del 8 junio de 2011 sobre la "restricción de utilización de determinadas sustancias peligrosas" **2011/65/UE**.
- de 17 de mayo de 2006 "relativa a máquinas", **2006/42/CE**.
- de 26 de febrero de 2014 "relativa a compatibilidad electromagnética", **2014/30/UE**.
- de 8 de mayo de 2000 "relativa a emisiones sonoras en el entorno", **2000/14/CE**.

Para obtener información respecto a las emisiones sonoras, consulte la sección sobre datos técnicos.

Se han aplicado las normas siguientes:

**IEC 60335-1:2010, IEC 60335-2-77:2002, EN 60335-1:2012, EN 60335-2-77:2010 EN/IEC 62233:2008 EN 61000-6-3:2005 EN 61000-6-1:2005**

Si no se indica lo contrario, las normas anteriormente indicadas constituyen las últimas versiones publicadas.

Organismo notificado: **0404, RISE SMP Svensk Maskinprovning AB, Box 7035, SE-750 07 Uppsala** ha efectuado la evaluación de conformidad con el Anexo VI de la Directiva 2000/14/CE y ha emitido un certificado con el número: 01/901/324 (LB 548i), 01/901/323 (LC 551iV)

Huskvarna, 2020-01-20



Claes Losdal, Director de desarrollo/productos para el jardín (representante autorizado de Husqvarna AB y responsable de la documentación técnica).



---

## Sisukord

---

Sissejuhatus.....	157	Veaotsing.....	170
Ohutus.....	159	Transportimine, hoiulepanek ja utiliseerimine.....	171
Kokkupanek.....	166	Tehnilised andmed.....	172
Töö.....	166	EÜ vastavusdeklaratsioon.....	175
Hooldamine.....	169		

---

## Sissejuhatus

---

### Toote kirjeldus

Tooteks on lükatav ja pöörlev muruniiduk. Mudel LB 548i kasutab tarvikut BioClip rohu väetiseks lõikamisel.

Mudel LC 551iV kogub rohtu rohukogurisse. Kui soovite, et muru väljutataks tagant, eemaldage rohukogur.

### Toote tutvustus

(Joon. 1)

1. Juhtpaneel
2. Mootori pidurikäepide
3. Käivitustõkesti
4. Rohukogur (LC 551iV)
5. Tagumine kate (LC 551iV)
6. Ohutusüliti
7. Juhtraua nupp (LC 551iV)
8. Juhtraua reguleerimise kang (LB 548i)
9. Akukate
10. Lõikekõrguse regulaator
11. Sisse- ja väljalülitusnupp
12. SavE-nupp
13. SavE-näidik
14. Akunäidik
15. Kiirusenäidik
16. Kiiruse vähendamise nupp
17. Kiiruse suurendamise nupp
18. Tõrke LED-tuli
19. Lõikekorpus
20. Õhuvõtuavad
21. Andmesilt
22. Veo käepide (LC 551iV)
23. Akulaadija (lisatarvik)
24. Aku (lisatarvik)
25. Multiaku (lisatarvik)
26. Adapteriplaat (lisatarvik)
27. Multiaku adapter (lisatarvik)
28. Kasutusjuhend

Selleks et muru lõigataks väetiseks, paigaldage multšimiskomplekt (lisavarustus).

### Kasutusotstarve

Toote abil saab eraaedades muru niita. Ärge kasutage toodet muude tööde tegemiseks.

### Sümbolid tootel

(Joon. 2) **HOIATUS!** Toode võib olla ohtlik ja põhjustada kasutaja või kõrvaliste isikute ohtliku kehavigastuse või surma. Olge ettevaatlik ja kasutage toodet õigesti.

(Joon. 3) Enne seadme kasutamist lugege kasutusjuhend hoolikalt läbi ja veenduge, et oleksite juhistest aru saanud.

(Joon. 4) Teised inimesed ja loomad peavad viibima tööalast ohutus kauguses.

(Joon. 5) Olge ettevaatlik - lenduvad esemed ning tagasipõrkumise oht.

- (Joon. 6) Hoiatus! Hoidke käed ja jalad pöörlevast terast eemal.
- (Joon. 7) Hoiatus! Hoidke käed ja jalad pöörlevatest osadest eemal.
- (Joon. 8) Enne remondi- või hooldustöö alustamist eemaldage ohutusvõti.
- (Joon. 9) **Keskkonnamürgis.** Toode või toote pakend ei kuulu olmejäätmete hulka. Toimetage see elektri- ja elektroonikajäätmete heakskiidetud jäätmejaama.
- (Joon. 10) See seade vastab kehtivatele EÜ direktiividele.
- (Joon. 11) See seade vastab kehtivatele Euraasia TOLLiliidu direktiividele.
- (Joon. 12) See seade vastab kehtivatele UkrSEPRO direktiividele.
- (Joon. 13) See seade vastab kehtivatele RCMi direktiividele. Kehtib ainult Austraalias ja Uus-Meremaal
- (Joon. 14) Ümbrissevasse keskkonda leviv müra vastab kohaldatavatele EÜ direktiividele. Täpsemat

teavet toote müra kohta vt *Tehnilised andmed lk 172* ja hoiatustähiselt.

**IPX4** Kaitske veepritsmete eest.

**IPX4**

(Joon. 19) Käivitusprotseduur: vajutage sisse- ja väljalülitusnuppu, avage käivitustõkesti, vajutage mootori pidurikäepide alla.

(Joon. 15) Seiskamiseks vabastage mootori pidurikäepide.

(Joon. 16) Aeglane

(Joon. 17) Kiire

(Joon. 18) Skannitav kood

---

**Märkus:** Ülejäänud seadmel toodud sümboolid/tähised vastavad teatud riikides kehtivatele sertifitseerimisnõuetele.

---

## Silt seadmel

(Joon. 20)

Hoidke käed ja jalad pöörlevatest teradest eemal.

## Tootevastutus

Tootevastutusseaduste alusel ei vastuta me tootest tingitud kahjustuste eest, kui:

- toodet on valesti parandatud;
- toote parandamisel on kasutatud osi, mis ei ole tootja poolt valmistatud või heaks kiidetud;
- tootel on kasutatud tarvikut, mis ei ole tootja poolt valmistatud või heaks kiidetud;
- toodet ei ole parandatud volitatud hoolduskeskuses või volitatud isiku poolt.

### Ohutuse määratlused

Mõistetega „hoiatus”, „ettevaatust” ja „märkus” juhitakse tähelepanu eriti olulistele kohtadele kasutusjuhendis.



**HOIATUS:** Tähistab kasutusjuhendi juhiste eiramise korral kasutaja või kõrvalseisjate kehavigastuse või surmaga lõppeva õnnetuse ohtu.



**ETTEVAATUST:** Tähistab kasutusjuhendi juhiste eiramise korral seadme, muude esemete või läheduses asuvate objektide kahjustamise ohtu.

---

**Märkus:** Tähistab antud olukorras vajalikku lisateavet.

---

### Üldised ohutuseeskirjad



**HOIATUS:** Enne seadme kasutamist lugege läbi järgnevad hoiatused.

---

- Toode on ohtlik, kui seda kasutada valesti või ettevaatamatult. Ohutuseeskirjade eiramine võib põhjustada kehavigastuse või surma.
- Seade tekitab töötades elektromagnetvälja. Teatud tingimustel võib väli häirida aktiivsete või passiivsete meditsiiniliste implantaatide tööd. Raskete või surmaga lõppevate kehavigastuste ohu vähendamiseks soovitame meditsiinilisi implantaate kasutaval inimestel pidada enne selle seadme kasutamist nõu oma arsti ja implantaadi valmistajaga.
- Olge alati ettevaatlik ja kasutage tervet mõistust. Kui te pole kindel, kuidas toodet eriolukorras kasutada, lõpetage töö ja pidage enne jätkamist nõu Husqvarna edasimüüjaga.
- Arvestage, et teiste isikute ja nende varaga seotud õnnetuste korral kannab vastutust seadme kasutaja.
- Hoidke toode puhas. Veenduge, et märgid ja tähised oleksid selgelt loetavad.

- Ärge kunagi lubage lastel või nende juhustega mittetutvunud inimestel seadet kasutada. Kohalikud kehtivad eeskirjad võivad piirata kasutaja lubatud vanust
- Kui toodet kasutab piiratud füüsiliste või vaimsete võimetega isik, peab ta olema kogu aeg järelevalve all. Vastutusvõimeline täiskasvanu peab kogu aeg kasutaja juures viibima.
- Ärge kasutage toodet, kui olete väsinud, haige või tarvitanud alkoholi, narkootikume või ravimeid. Sellel on negatiivne mõju teie nägemisele, tähelepanuvõimele, liikumisele ja otsustamisvõimele.
- Ärge kasutage toodet, kui see on kahjustatud.
- Ärge muutke toodet ega kasutage seda, kui keegi teine võib olla seda muutnud.
- Lõikeosaga kokku puutuvad esemed võivad õhku paiskuda ning inimesi vigastada ja esemeid kahjustada. Juuresolijad ja loomad peavad viibima tootest ohutus kauguses.
- Ärge kasutage toodet halva ilmaga, näiteks udu, vihma, tugeva tuule, tugeva pakase ja pikseohu korral. Toote kasutamine halva ilma ning niiskete ja märgade tingimuste korral on väsitav. Halb ilm võib põhjustada ohtlikke tingimusi (nt libedaid pindu).
- Suhtuge tähelepanelikult inimestesse, esemetesse ja olukordadesse, mis võivad takistada toote ohutut kasutamist.
- Olge ettevaatlik takistuste (nt juurte, kivide, oksade, aukude ja kraavide) suhtes. Kõrge rohi võib peita takistusi.
- Muru niitmine kallakutel võib olla ohtlik. Ärge niitke väga järskudel nõlvadel. Ärge kasutage toodet alal, mille kalle ületab 15°
- Kaldpinnal suunda muutes olge äärmiselt ettevaatlik. Kasutage toodet kallakul risti liikudes. Ärge liikuge üles ja alla.

## Tööala ohutus



**HOIATUS:** Enne seadme kasutamist lugege läbi järgnevad hoiatused.

- Enne toote kasutamist eemaldage tööalalt oksad ja kivid.

- Olge ettevaatlik varjatud nurkade ja vaatevälja varjavate esemete läheduses.

## Tööohutus



**HOIATUS:** Enne seadme kasutamist lugege läbi järgnevad hoiatused.

- Kasutage seda toodet ainult muru niitmiseks. Muude toimingute tegemiseks toodet kasutada ei tohi.
- Kasutage isikukaitsevahendeid. Vt jaotist *Isikukaitsevahendid lk 162*.
- Veenduge, et teate, kuidas hädaolukorras mootorit kiiresti seisata.
- Toodet ei tohi kasutada vihma käes või märjas keskkonnas. Toote sisse pääsenud vesi suurendab elektrilöögi ohtu.
- Ärge kasutage toodet enne, kui lõiketera ja katted on õigesti kinnitatud. Valesti kinnitatud lõiketera võib lahti tulla ja inimesi vigastada.
- Veenduge, et lõiketera ei puutuks kokku esemetega (nt kivide ja juurtega). See võib lõiketera kahjustada ja põhjustada mootori võlli väändumist. Paindega telg põhjustab tugevat vibratsiooni ja suurt lõiketera lahtitulemise ohtu.
- Kui lõiketera puutub kokku mõne esemega või esineb vibratsioon, peatage toode viivitamatult. Seisake mootor, tõmmake ohutusüliti üles ja eemaldage aku. Kontrollige toodet kahjustuste suhtes. Parandage kahjustused või laske toodet remontida volitatud hooldustöokojas.
- Kui mootor töötab, ärge kinnitage kunagi mootori pidurikäepidet püsivalt käepidemel külge.
- Asetage toode stabiilsele ja tasasele pinnale ning käivitage see. Veenduge, et lõiketera ei puutuks vastu maad ega muid esemeid.
- Olge toote kasutamisel alati toote taga.
- Toote kasutamisel hoidke mõlema käega käepidemest ja kõik toote rattad maas. Hoidke käed ja jalad liikuvatest teradest eemal.
- Kui mootor on käivitatud, ärge kallutage toodet.
- Olge toote tagasisuunas tõmbamisel ettevaatlik.
- Kui mootor on käivitatud, ärge tõstke toodet. Kui teil on vaja toode üles tõsta, seisake esmalt mootor, lükake

ohutuslüli ülemisse asendisse ja eemaldage aku.

- Ärge kõndige toote kasutamise ajal tagurpidi.
- Seisake mootor, kui liigute alal, kus pole muru, näiteks kruusa-, kivi- ja asfaltkattega teedel.
- Ärge lükake toodet joostes, kui mootor on käivitatud. Toote kasutamise ajal kõndige.
- Enne löikamiskõrguse muutmist seisake mootor. Ärge tehke seadistusi, kui mootor töötab.
- Ärge laske toodet silmist, kui mootor töötab. Seisake mootor ja veenduge, et löikeosa ei pöörleks.

Ohutusjuhised kasutamisel

### Isikukaitsevahendid



**HOIATUS:** Enne seadme kasutamist lugege läbi järgnevad hoiatused.

- Isikukaitsevarustus ei välista täielikult kehavigastuste ohtu, kuid vähendab õnnetusjuhtumi korral kehavigastuse raskusastet. Õige varustuse valimiseks pöörduge edasimüüja poole.
- Kandke vastupidavaid saapaid või jalatseid, mis on

libisemiskindlad. Ärge kandke avatud jalatseid ega olge paljajalu.

- Kandke tugevaid pikki pükse.
- Vajaduse korral kandke kaitsekindaid, näiteks löikeosa kinnitades, kontrollides või puhastades.

### Toote ohutusseadised



**HOIATUS:** Enne seadme kasutamist lugege läbi järgnevad hoiatused.

- Ärge kunagi kasutage seadet, kui selle ohutusseadised on defektsed.
- Kontrollige ohutusseadiseid regulaarselt. Kui ohutusseadised on defektsed, pöörduge Husqvarna hooldustöökotta.

### Löikeosa katte kontrollimine

Löikeosa kate vähendab toote vibratsiooni ja löiketerast tingitud vigastuste ohtu.

- Kontrollige löikeosa kahjustuste (nt pragude) suhtes.

### Ohutuslüli

Ohutuslüli asub akukaane all. Ohutuslüli abil ühendatakse aku, mis varustab mootori toitega.

## Ohutuslüliti kontrollimine

Ohutuslüliti abil ühendatakse aku, mis varustab mootori toitega.

- Käivitage ja seisake mootor. Kui ohutuslüliti on töökorras, siis käivitub mootor üksnes ohutuslüliti on .turvalukus

## Mootori pidurikäepide

Mootori pidurikäepideme abil saab mootori seisata. Mootori pidurikäepideme vabastamisel mootor seiskub.

Mootoripiduri kontrollimiseks käivitage mootor ja vabastage mootori pidurikäepide. Kui mootor kolme sekundi jooksul ei seisku, laske mootoripidurit Husqvarna volitatud hooldustöökojas reguleerida.

(Joon. 21)

## Käivitustõkesti kontrollimine

Kontrollige, kas käivitustõkesti takistab mootori tööd.

1. Lükake mootori pidurikäepidet juhtraua suunas. Käivitustõkesti peatab liikumise.
2. Lükake käivitustõkesti välja. (Joon. 22)

3. Laske käivitustõkesti lahti ja veenduge, et see läheks tagasi lähteasendisse.

## Aku ohutus



**HOIATUS:** Enne seadme kasutamist lugege läbi järgnevad hoiatused.

---

- Kasutage seotud Husqvarna toodete toiteallikana alati üksnes Husqvarna taaslaetavaid akusid. Kehavigastuse vältimiseks ärge kasutage akut muude seadmete toiteallikana.
- Ärge kasutage mittetaaslaetavaid akusid.
- Elektrilöögioht! Ärge ühendage akuklemme võtmete, müntide, kruvide või muude metallesemetega. See võib tekitada akus lühise.
- Ärge asetage esemeid aku õhuavade sisse ja ette.
- Vältige aku kokkupuudet otsese päikesevalguse, kuumuse ja lahtise leegiga. Aku võib plahvatada ja põhjustada põletusi ja/või keemilisi põletusi.
- Vältige aku kokkupuudet vihma ja märja keskkonnaga.
- Vältige aku kokkupuudet mikrolainete ja kõrgsurvega.

- Ärge demonteerige ega lõhkuge akut.
- Aku lekke korral vältige vedeliku kokkupuudet keha ja silmadega. Kui vedelik satub kehale, puhastage kokkupuutunud ala rohke veega ja seejärel pöörduge arsti poole.
- Kasutage akut keskkonnas, mille temperatuur jääb vahemikku  $-10$  kuni  $40$  °C.
- Ärge puhastage akut või akulaadijat veega. Vt jaotist *Aku ja akulaadija puhastamine lk 170*.
- Ärge kasutage defektset või kahjustatud akut.
- Ladustage akusid metallesemetest (nt naelad, mündid, ehted) eemal.

## Akulaadija ohutus



**HOIATUS:** Enne seadme kasutamist lugege läbi järgnevad hoiatused.

- Kasutage Husqvarna asendusakude laadimiseks ainult QC akulaadijaid.
- Elektrilöögi ja lühise oht. Ärge asetage esemeid laadija õhuavade sisse ja ette. Ärge püüdke akulaadijat lahti monteerida. Ärge ühendage laadija klemme metallesemete külge. Kasutage heakskiidetud võrgupistikupesasa.
- Seade tekitab töötades elektromagnetvälja. Teatud tingimustel võib väli häirida aktiivsete või passiivsete meditsiiniliste implantaatide tööd. Raskete või surmaga lõppevate kahjustuste ohu vähendamiseks soovitame meditsiinilisi implantaate kasutataval inimestel pidada enne selle toote kasutamist nõu oma arsti ja implantaadi valmistajaga.
- Kontrollige regulaarselt, kas akulaadija toitejuhe on kahjustada saanud ja kas sellel on pragusid.
- Ärge tõstke akulaadijat toitejuhtmest hoides. Akulaadija võrgupistikupesast lahutamiseks tõmmake pistikut. Ärge tõmmake toitejuhet.
- Vältige toitejuhtme ja pikendusjuhtme kokkupuudet vee, õli ja teravate servadega. Jälgige, et juhe ei jääks uste, väravate jms vahele. See võib põhjustada laadija sattumise pingele alla.
- Ärge puhastage akulaadijat veega.
- Akulaadijat võivad kasutada lapsed alates 8. eluaastast ja



- isikud, kellel on vähenenud füüsilised, sensoorsed või vaimsed võimed või puudulikud teadmised ja kogemused, kui neid jälgib või juhendab vastutav isik, kes tagab, et nad kasutavad akulaadijat ohutult ning mõistavad seotud ohtusid. Lapsed ei tohi akulaadijaga mängida. Lapsed ei tohi seadet ilma järelevalveta puhastada ega hooldada.
- Ärge laadige akulaadijas mittelaetavaid akusid.
  - Ärge kasutage akulaadijat tuleohtlike või korrosiooni tekitavate materjalide läheduses. Ärge katke akulaadijat. Suitsu või tule tekke korral eemaldage pistik akulaadijast.
  - Ärge kunagi kasutage defektset või kahjustunud akulaadijat.
  - Laadige akut ainult hea õhuvahetusega siseruumis ja päikesevalguse eest kaitstuna. Ärge laadige akut märjas keskkonnas.

## Ohutusjuhised hooldamisel



**HOIATUS:** Enne toote kasutamist lugege läbi järgnevad hoiatused.

---

- Enne seadme hooldustööde alustamist eemaldage ohutuslüli.
- Toote kasutusea tõstmiseks ja õnnetuste ohu vähendamiseks tehke kõik hooldustööd korrektselt. Laske professionaalsed parandustööd teha volitatud hooldustöökojas. Lisateavet küsige lähimast hooldustöökojast.
- Hooldage toodet ainult selle kasutusjuhendi järgi.
- Lõikeosa käsitsedes kandke alati tugevaid kindaid. Lõiketera on väga terav ja võib kergesti põhjustada lõikevigastusi.
- Parima ja ohutuima töö tagamiseks hoidke lõikeservad teravana ja puhtana.
- Laske hooldustöökojas toodet korrapäraselt kontrollida ning teha vajalikke seadistamisi ja parandusi.
- Asendage kahjustatud, kulunud ja katkised osad.
- Järgige tarvikute vahetamise juhiseid. Kasutage ainult tootja valmistatud tarvikuid.
- Kui toodet ei kasutata, eraldage toode, aku ja akulaadija ning hoidke neid kuivas ja lukustatud siseruumis. Veenduge, et

lastel ja ilma vastava  
volitusega kõrvalistel isikutel

puuduks juurdepääs tootele,  
akule ja akulaadijale.

---

## Kokkupanek

---

### Sissejuhatus



**HOIATUS:** Enne toote kokkupanekut lugege ohutuspeatükki ja tehke selles olev teave endale arusaadavaks.

### Multiaku (lisatarvik) paigaldamine ja eemaldamine

1. Eemaldage mootorikattelt neli kummikatet ja neli kruvi. (Joon. 23)
2. Pange adapteriplaat mootorikattele.
3. Kinnitage adapteriplaat nelja kruviga, kasutades jõumomenti 5-6 Nm. (Joon. 24)
4. Avage akukaas.
5. Eemaldage aku pesast 1. (Joon. 25)
6. Eemaldage tihend. (Joon. 26)
7. Lükake aku adapteri akupessa, kuni kuulete klõpsatust. (Joon. 27)
8. Pange aku adapteri juhe läbi tihendi kinnitusava. Kinnitage juhe klambriga. (Joon. 28)
9. Paigaldage multiaku aku adapteri külge.
10. Ühendage multiaku aku adapteriga. (Joon. 29)
11. Kinnitage aku adapteri juhe juhtraua külge kolme riidest paela abil. (Joon. 30)
12. Multiaku eemaldamiseks tehke toimingud vastupidises järjekorras.



**HOIATUS:** Ärge kinnitage juhett juhtraua külge liiga lõdvalt. Juhe võib juhtraualt lahti tulla ja põhjustada vigastuse.

### Käepideme kokkupanek (LC 551iV)

1. Keerake alumised hoovad lahti.
2. Liigutage nupud toote vasakul ja paremal küljel olevatesse soonetesse. (Joon. 31)
3. Reguleerige käepideme kõrgus ühte kahest võimalikust asendist.

4. Liigutage nuppusid üles käepideme suunas, kuni need peatuvad ja kostub klõpsatus. (Joon. 32)
5. Keerake nupud korralikult kinni.

### Käepideme kokkupanek (LB 548i)

1. Eemaldage ülemise käepideme plaadilt käepideme mutter ja seib.
2. Seadke ülemine käepideme alumise käepideme peale.



**ETTEVAATUST:** Veenduge, et juhtmed ei jääks kinni ega saaks kahju.

3. Paigaldage seib ja juhtraua reguleerimiskang. (Joon. 33)
4. Keerake käepideme küljele, et saada hea töösensid seadet seinas kasutades. (Joon. 34)

### Rohukoguri kokkupanek (LC 551iV)

1. Kinnitage rohukoguri raam rohukoti külge nii, et koti jäik osa jääb põhja. Hoidke raami käepidet rohukoti peal. (Joon. 35)
2. Kinnitage rohukoguri raami alumine osa rohukoguri allosas asuvasse soonde.
3. Kinnitage rohukoti klambriga rohukoguri raami külge. (Joon. 36)
4. Kergitage tagakaant.
5. Kinnitage rohukoguri raami ülaseriale.
6. Asetage rohukoguri alaosa muru väljaviskekannalisse. (Joon. 37)

### Multišikorgi (LC 551iV lisatarvik) kokkupanek

1. Kergitage tagakaant ja eemaldage rohukoguri.
2. Asetage multišikork väljaviskekannalisse. (Joon. 38)
3. Asendage lõiketera multišikorkkomplektis oleva multišikorkteraga. Vt jaotist *Lõiketera vahetamine lk 170*.

---

## Töö

---

### Sissejuhatus



**HOIATUS:** Enne seadme kasutamist lugege põhjalikult läbi ohutust puudutav jaotis.

### Husqvarna Connect

Husqvarna Connect on mobiilsideseadmetele mõeldud tasuta rakendus. Rakendus Husqvarna Connect annab teie Husqvarna tootele lisafunktsionaalsuse:

- Täiendav tooteteave.

- Toote osade ja hoolduse alane teave ja abi.

## Toote Husqvarna Connect kasutamise alustamine

1. Laadige Husqvarna Connect rakendus oma mobiilsideseadmesse.
2. Registreeruge Husqvarna Connect rakenduses.
3. Toote ühendamiseks ja registreerimiseks järgige Husqvarna Connect rakenduse juhiseid.

## Husqvarna Fleet Services™

Husqvarna Fleet Services™ on pilvlahendus, mis annab seadmete äriotstarbel haldajale ülevaate kõigist masinast. Husqvarna Fleet Services™ kuulub toote LC 551iV tarnekomplekti. Lisateavet teenuse Husqvarna Fleet Services™ kohta leiate veebisaidilt [www.husqvarna.com](http://www.husqvarna.com).

## Anduri ettevalmistamine (lisatarvik)

1. Kasutage andurivõtit andurikaane avamiseks. (Joon. 39)
2. Eemaldage andur.
3. Kinnitage aku anduri külge. Anduri LED-tuli süttib. (Joon. 40)
4. Rakenduse Husqvarna Fleet Services™ allalaadimine.
5. Logige rakendusse Husqvarna Fleet Services™ sisse.
6. Sidumistoiming Vt jaotist *Sidumistoiming rakenduse ja toote vahel. lk 167*

## Sidumistoiming rakenduse ja toote vahel.

1. Logige rakendusse Husqvarna Fleet Services™ sisse.
2. Valige rakenduses toode.
3. Oma mobiiliseadmega skannige anduritagust koodi, et paigaldada andur rakendusse.

**Märkus:** Sidumistoimingut rakenduse ja toote vahel peab tegema vaid korra.

## Anduri paigaldamine

1. Veenduge, et andur on ühendatud rakendusega Husqvarna Fleet Services™. Vt jaotist *Sidumistoiming rakenduse ja toote vahel. lk 167*.
2. Puurige kaks ava kinnituspesa juures olevate märkide juurde. (Joon. 41)

**Märkus:** Veenduge, et avad on anduriga kaasasolevate neetidele vastavate diameetritega.

3. Kasutage tange, et eemaldada anduripesa välimised avad. (Joon. 42)
4. Puurige kaks ava anduripesa juures olevate märkide juurde. (Joon. 43)
5. Joondage anduripesa kinnituspesaga. (Joon. 44)

6. Kinnitage anduripesa neetidega.
7. Paigaldage andur anduripesa. Joondage anduril olev valge märk märgiga anduripesal. (Joon. 45)
8. Sulgege anduri kaas ja lukustage see andurivõtmega. Veenduge et "H" Husqvarna ülemine osa jääb ohutuslüli suhtes teise suunda. (Joon. 46)

## Toote seadmine tööasendisse (LC 551iV)

1. Pöörake juhtraud püstasendisse. (Joon. 47)
2. Liigutage nuppsid üles käepideme suunas, kuni need peatuvad ja kostub klõpsatus. (Joon. 32)
3. Keerake nupud korralikult kinni.

## Lõikamiskõrguse reguleerimine

Lõikamiskõrgust saab seadistada kuuete erinevale kõrgusele.

1. Lõikekõrguse suurendamiseks lükake lõikekõrguse regulaatorit ratta suunas ja seejärel tagasisuunas.
2. Lõikekõrguse vähendamiseks lükake lõikekõrguse regulaatorit ratta suunas ja seejärel edasisuunas. (Joon. 48)



**ETTEVAATUST:** Ärge seadistage lõikamiskõrgust liiga madalaks. Kui muru pole tasane, võivad lõiketerad puutuda vastu maad.

## Aku



**HOIATUS:** Enne aku kasutamist lugege läbi ohutus puudutav jaotis ja veenduge, et oleksite kõigest aru saanud. Samuti tuleb läbi lugeda aku ja akulaadija kasutusjuhend ning veenduda, et kogu teave on arusaadav.

## Aku olek

Ekraanil kuvatakse aku järelejäänud mahtuvus ja akuga seotud mis tahes probleemid. Aku mahtuvus kuvatakse viie sekundi jooksul pärast seadme väljalülitamist või akunäidiku nupu vajutamisel. Akul olev hoiatussümbol süttib tõrke ilmnemisel. Vt jaotist *Aku lk 170*.

(Joon. 49)

LED-tuled	Aku olek
Kõik LED-tuled põlevad	Täis (75–100%).
LED 1, LED 2, LED 3 põlevad	Aku on laetud 50–75%
LED 1, LED 2 põlevad	Aku on laetud 25–50%
LED 1 põleb	Aku on laetud 0–25%
LED 1 vilgub	Aku on tühi. Laadige akut.

## Aku laadimine

Enne esimest kasutuskorda laadige aku täis. Kliendile tarnimisel on aku laetud üksnes 30% ulatuses.

**Märkus:** Akulaadija tuleb ühendada tüübisildil näidatud pinge ja sagedusega võrku.

Aku laadimist ei toimu, kui aku temperatuur on üle 50 °C. Enne laadimise alustamist langetab akulaadija aku temperatuuri vajalikule tasemele.

1. Ühendage akulaadija toitejuhtme üks ots akulaadija pesasse.
2. Ühendage akulaadija toitejuhtme teine ots maandatud võrgupistikupesasse. Akulaadijal olev roheline märgutuli vilgub üks kord. (Joon. 50)
3. Asetage aku akulaadijasse. Kui aku on akulaadijaga õigesti ühendatud, süttib laadijal roheline tuli. (Joon. 51)
4. Kui aku kõik märgutuled põlevad, on aku täis. Ärge laadige akut kauem kui 24 tundi.
5. Akulaadija toitejuhtme võrgupistikupesast lahutamisel tõmmake pistikust, mitte juhtmest.
6. Eemaldage aku laadijast.

## Aku laadimisolek

Husqvarna Liitium-ioonakut saab laadida ja kasutada kõikidel laadimistasemetel. Aku ei ole kahjustunud. Täis laetud aku ei tühjene, kui aku laadijasse jätta.

LED-näidik	Laadimisolek
LED 1 vilgub	0–25%
LED 1 põleb, LED 2 vilgub	25–50%
LED 1, LED 2 põlevad, LED 3 vilgub	50–75%
LED 1, LED 2, LED 3 põlevad, LED 4 vilgub	75–100%
LED 1, LED 2, LED 3, LED 4 põlevad	Täielikult laetud

## Multiaku laadimine

**Märkus:** Enne aku esimest kasutuskorda laadige aku täis. Uue aku laetuse tase on ainult 30%.

1. Veenduge, et aku oleks kuiv.
2. Kinnitage multiaku adapteri külge. (Joon. 52)
3. Asetage adapter akulaadijasse.
4. Veenduge, et akulaadija roheline LED-tuli süttiks. See tähendab, et adapter ja multiaku on õigesti ühendatud. (Joon. 53)
5. Kui aku kõik LED-tuled süttivad ja adapter näitab 100%, siis on aku täis. (Joon. 54)

Adapter kuvab laadimisolekut sammuga 1%. Väiksed kõrvalekalded on võimalikud laadimise alguses.

6. Akulaadija toiteallikast lahutamiseks võtke kinni pistikust. Ärge tõmmake juhtmest.
7. Eemaldage adapter akulaadijast.
8. Eemaldage multiaku adapterist.

**Märkus:** Lisateavet lugege multiaku ja akulaadija kasutusjuhenditest.

## Toote käivitamine

1. Avage akukaas.
2. Asetage laetud aku akukaane all olevasse akupessa  
1. Tööea pikendamiseks asetage teine laetud aku akupessa 2.
3. Eemaldage ohutuslüli ohutuslüli hoidikust.
4. Pange ohutuslüli turvalukku. (Joon. 55)
5. Olge toote taga.
6. Vajutage juhtimispaneelil sisse- ja väljalülitusnuppu. Ekraan lülitub sisse.
7. Avage käivitustõkesti. (Joon. 22)
8. Lükake mootori pidurikäepidet juhtraua suunas. (Joon. 56)

## Veo kasutamine ratastel (LC 551iV)

- Veo alustamiseks tõmmake veo käepidet juhtraua suunas. (Joon. 57)
- Veokiiruse määramiseks neljas astmes vajutage juhtimispaneelil nuppe + ja -. (Joon. 58)
- Veo vabastamiseks vabastage veo käepide näiteks siis, kui läheneate takistusele.

## SavE funktsiooni kasutamine

Toode on varustatud akusäästufunktsiooniga (SavE), mis pikendab aku tööiga.

1. Funktsiooni käivitamiseks vajutage SavE-nuppu (A). Ekraanil süttib SavE-sümbol (B).
2. Funktsiooni peatamiseks vajutage uuesti SavE nuppu. Ekraanil kuvatud SavE-sümbol (B) kustub. (Joon. 59)

Kui maapinna tingimused nõuavad suuremat võimsust, seiskub SavE funktsioon automaatselt. Kui maapinna tingimused seda lubavad, käivitub SavE funktsioon automaatselt uuesti.

## Funktsioon PowerBoost

Kui seade niidab märga või pikka rohtu, suureneb mootori pöörete arv minutis automaatselt. Aku säästmiseks läheb mootor tagasi standardrežiimi kohe, kui funktsiooni PowerBoost enam ei vajata.

## Toote seiskamine

Kui seadet 3 minuti jooksul ei kasutata, seiskub see automaatselt.

1. Mootori seiskamiseks vabastage mootori pidurikäepide. (Joon. 21)
2. Vajutage juhtimispaneelil sisse- ja väljalülitusnuppu. Kõik põlevad LED-tuled ja ekraanil kuvatud sümbolid kustuvad. (Joon. 60)
3. Eemaldage ohutuslüli turvalukust ja pange see ohutuslüli hoidikusse.

## Hea tulemuse saavutamine

- Kasutage vahedat lõiketera. Nüri tera annab ebaühtlase tulemuse ja muru lõigatud osa muutub kollaseks. Terav lõiketera on nüri teraga võrreldes energiasäästlikum.

- Lõigake kuni pool muru pikkusest. Niitke kõigepealt kõrgele reguleeritud lõikamiskõrgusega. Vaadake tulemust ja seadistage lõikamiskõrgus soovitud madalamale tasemele. Kui muru on väga pikk, sõitke aeglaselt ja vajadusel niitke kaks korda.
- Niitke iga kord erinevas suunas, et ära hoida triipude tekkimist murule.

## Muru niitmine ilma paigaldatud rohukoguri või multšikorgiga (LC 551IV)

1. Kergitage tagakaant ja eemaldage rohukogur.
2. Kui seadmele on paigaldatud multšikork ja multšimistera, eemaldage need.
3. Enne seadme kasutamist sulgege tagumine kate.

Seadme töötamise ajal väljub lõigatud rohi tagumise katte alt.

## Hooldamine

### Sissejuhatus



**HOIATUS:** Enne seadme hooldamist lugege põhjalikult läbi ohutust puudutav peatükk.

Toote hooldamiseks ja remontimiseks on vaja erioskusi. Tagame asjatundliku remondi- ja hooldustöö. Kui edasimüüjal, kellelt toote ostsite, pole hooldustöökoda, küsige neilt teavet lähima hooldustöökoha kohta.

### Hoolduskeem

Hooldusintervallide arvutamisel on aluseks võetud toote igapäevane kasutamine. Intervallid muutuvad, kui toodet igapäevaselt ei kasutata.

Tärniga (\*) tähistatud hooldustööde kohta vt *Ohutusjuhised kasutamisel lk 162.*

	Igal kasutuskorral	Üks kord kuus	Igal aastajal
Üldkontrolli läbiviimine	X		
Puhastage käigukasti kaas. Veenduge, et mootori peal pole rohtu.	X		
Kontrollige käivitustõkestit *	X		
Veenduge, et toote ohutusseadistel poleks defekte *	X		
Rohukoguri kulumise või kahjustuste kontrollimine	X		
Lõikeosa kontrollimine	X		
Kontrollige lõikekatet *	X		
Kontrollige mootori pidurikäepidet *	X		
Veenduge, et ON/OFF nupp töötaks korralikult ja sellel poleks defekte	X		
Veenduge, et akul poleks kahjustusi	X		
Kontrollige aku laetust	X		
Veenduge, et aku vabastusnupud töötaksid korralikult ning et aku lukustuks kindlalt seadme külge	X		
Puhastage õhu sissevõtuavad. Veenduge, et õhu sissevõtuavades pole rohtu või mustust	X		

	Igal ka- sutuskor- ral	Üks kord kuus	Igal aas- taajal
Veenduge, et akulaadijal poleks kahjustusi ja et see töötaks korrektselt		X	
Kontrollige aku ja seadme vahelisi ühendusi. Samuti kontrollige aku ja akulaadija vahelisi ühendusi			X

## Üldkontrolli läbiviimine

- Veenduge, et toote mutrid ja kruvid oleksid pingutatud.
- Veenduge, et toote juhtmed ei oleks sellises asendis, kus need võiksid kahjustada saada.

## Lõiketera vahetamine

1. Lukustage lõiketera mõne puuklotsiga. (Joon. 61)
2. Eemaldage lõiketera polt, vedruseib ja lõiketera. (Joon. 62)
3. Kontrollige, et lõiketera toel ja lõiketera poldil poleks kahjustusi.
  - a) Kui vahetate lõiketera või lõiketera toe, tuleb vahetada ka lõiketera polt, vedruseib ja hõõrdeseib.
4. Kontrollige mootori võlli ja veenduge, et see poleks väändunud.
5. Uue lõiketera kinnitamisel veenduge, et painutatud otsad oleks suunatud lõikekorpuse poole. (Joon. 63)
6. Pange hõõrdeseib ja lõiketera vastu lõiketera tuge. (Joon. 64)
7. Veenduge, et lõiketera ja mootori võlli kese oleksid kohakuti. (Joon. 65)
8. Lukustage lõiketera mõne puuklotsiga. (Joon. 66)
9. Kinnitage vedruseib ja pingutage polti momendiga 65-75 Nm. (Joon. 67)
10. Keerake tera käega, veendumaks, et see pöörleb vabalt.



**HOIATUS:** Kasutage kaitsekindaid. Lõiketera on väga terav ja võib kergesti põhjustada lõikevigastusi.

11. Tera katsetamiseks käivitage toode. Kui tera on valesti kinnitatud, siis toode vibreerib ja niitmistulemus pole rahuldav.

## Toote puhastamine

- Puhastage plastosi puhta ja kuiva lapiga.

- Ärge puhastage seadet veega. Vesi võib pääseda aku või mootori sisse ja põhjustada lühise või kahjustada toodet.
- Ärge kasutage seadme puhastamiseks survepesurit.
- Ärge valage vett otse mootorile.
- Eemaldage lehed, muru ja pori harja abil.

## Aku ja akulaadija puhastamine



**ETTEVAATUST:** Ärge puhastage akut või akulaadijat veega.

- Enne aku asetamist akulaadijasse veenduge, et aku ja akulaadija oleksid puhtad ja kuivad.
- Puhastage akuklemmid suruõhu või pehme ja kuiva riidelapiga.
- Puhastage aku ja akulaadija välispinnad pehme ja kuiva riidelapiga.

## Lõikeosa kontrollimine



**HOIATUS:** Juhusliku käivitumise vältimiseks keerake ohutuslülitit välja, eemaldage aku ja oodake vähemalt viis sekundit.



**HOIATUS:** Lõikeosa hooldamisel kandke kaitsekindaid. Lõiketera on väga terav ja võib kergesti põhjustada lõikevigastusi.

1. Kontrollige lõikeosa kahjustuste ja mõrade suhtes. Kahjustatud lõikeosa tuleb alati välja vahetada.
2. Kontrollige, kas lõiketera on kahjustatud või nüri.

**Märkus:** Teritamise järel tuleb lõiketera tasakaalustada. Lõiketera teritamine, asendamine ja tasakaalustamine usaldage hooldustehnikule. Kui toode pörkub vastu eset, mis põhjustab toote seiskumise, vahetage välja kahjustatud lõiketera. Laske hoolduskeskuses hinnata, kas tera saab teritada või tuleb see välja vahetada.

## Veatsing

### Aku

Aku LED-tuli	Võimalikud tõrked	Võimalik tegevus
Roheline LED-tuli vilgub	Akupinge on madal	Laadige aku. Vt jaotist <i>Aku laadimine lk 168</i> .

Aku LED-tuli	Võimalikud tõrked	Võimalik tegevus
Törke LED-tuli vilgub	Aku on tühjenenud	Laadige aku. Vt jaotist <i>Aku lk 170</i> .
	Töökeskkonna temperatuur on liiga kõrge või madal	Kasutage akut keskkonnas, mille temperatuur jääb vahemikku –10 kuni 40 °C.
	Ülepinge	Kontrollige, kas võrgupinge vastab seadme mudeli etiketil märgitule.  Eemaldage aku laadijast. Oodake viis sekundit ja proovige akut uuesti laadida. Probleemi püsimise korral võtke ühendust volitatud hooldustöökajaga.
Pöleb törke LED-tuli	Elementide erinevus on liiga suur (1 V)	Pöörduge volitatud hooldustöökaja poole.

## Akulaadur

Akulaadija LED-tuli	Võimalikud tõrked	Võimalik tegevus
Törke LED-tuli vilgub	Töökeskkonna temperatuur on liiga kõrge või madal	Kasutage akulaadijat keskkonnas, mille temperatuur jääb vahemikku 5 kuni 40 °C.
Pöleb törke LED-tuli		Pöörduge volitatud hooldustöökaja poole

## Juhtpaneel

Tõrkekood (vilkumiste arv)	Võimalikud tõrked	Võimalik tegevus
1	Käigukasti mootor on liiga kuum.	Laske tootel maha jahtuda. Veenduge, et käigukasti peal pole rohtu. Vajadusel puhastage käigukasti kate.
5	Mootori kiirus langeb liigselt ja mootor seisukub.	Puhastage löikeosa ja tõstke löikamiskõrgust. Vt jaotist <i>Löikamiskõrguse reguleerimine lk 167</i> . Törke püsimise korral pöörduge volitatud hooldustöökotta.
8	Aku on tühjenenud.	Laadige aku. Vt jaotist <i>Aku laadimine lk 168</i> .
9	Aku tõrge või aku signaali pole.	Asetage aku õigesti seadmesse ja kontrollige akukonnektorit. Kui aku törke LED-tuli vilgub, vt <i>Aku lk 167</i> .
10	Mootori juhtseade on liiga kuum.	Seisake mootor ja oodake, kuni see on jahtunud.
Muud tõrked	Muude tõrgete ilmumise korral eemaldage ohutuslüli ja aku ning võtke ühendust volitatud hooldustöökajaga.	

## Transportimine, hoialepanek ja utiliseerimine

### Sissejuhatus



**HOIATUS:** Transportimise ajal juhusliku käivitumise vältimiseks keerake ohutuslüli välja, eemaldage aku ja oodake vähemalt viis sekundit.

### Seadme seadmine transportasendisse (LC 551IV)

1. Keerake alumised hoovad lahti.
2. Liigutage nupud toote vasakul ja paremal küljel olevatesse soonetes. (Joon. 31)

3. Keerake käepide ettepoole. (Joon. 68)

4. Eemaldage rohkogur.

## Transportimine

- Liitium-ioonakudele kehtivad ohtlike kaupade veonõuded.
- Kaubandusliku transpordi korral tuleb järgida pakendamise ja märgistamise erinõudeid.
- Toote transportimiseks ettevalmistamisel järgige kindlasti ohtlikele ainetele kehtivaid eeskirju. Kehtida võivad ka kohalikud eeskirjad.
- Transpordi ajaks tuleb aku alati eemaldada.
- Katke akukonektorid isoleerteibiga ja veenduge, et aku ei saaks transportimise ajal liikuma hakata.
- Kinnitage seade transportimise ajaks.

## Hoiustamine

- Hoiustamise ajaks tuleb aku alati eemaldada.
- Õnnetuste vältimiseks veenduge, et aku ja seade poleks hoiustamise ajal ühendatud.
- Hoidke akulaadijat suletud ja kuivas kohas.
- Hoidke akut ja akulaadijat kuivas kohas, kus pole niiskust ja miinuskraade.
- Ladustamise ajaks lahutage aku akulaadija küljest.
- Ärge hoidke akut kohas, kus võib tekkida staatiline elekter. Ärge hoidke akut metallkastis.

- Hoidke akut kohas, mille temperatuur jääb vahemikku 5 kuni 25 °C, ja kuhu ei paista otsene päikesevalgus.
- Hoidke akulaadijat kohas, mille temperatuur jääb vahemikku 5 kuni 45 °C, ja kuhu ei paista otsene päikesevalgus.
- Enne aku pikemaajalist hoiustamist laadige see 30–50% ulatuses täis.
- Hoidke seadet, akut ja akulaadijat suletud ruumis, kuhu ei pääse lapsed ja volitamata kõrvalised isikud.
- Enne seadme pikemaajalist hoiustamist puhastage seade ja tehke sellele täishooldus.

## Kõrvaldamine

Tootel või selle pakendil olevad sümbolid viitavad, et toodet ei tohi visata olmeprügi hulka. See tuleb toimetada ettenähtud vastuvõtupunkti, kus elektri- ja elektroonikaseadmed võetakse uuesti ringlusesse.

Hoolitsedes toote eest õigel viisil aitate vähendada võimalikke negatiivseid mõjusid keskkonnale ja inimestele, mis võivad avalduda toote vale käitlemise korral. Lisateabe saamiseks toote ringlussevõtu kohta pöörduge vastava kohaliku ametkonna, jäätmekäitlusettevõtte või toote müünud kaupluse poole.

(Joon. 69)

## Tehnilised andmed

### Tehnilised andmed

	LB 548i	LC 551IV
<b>Teramootor</b>		
Mootori tüüp	BLDC (harjadeta) 36 V	BLDC (harjadeta) 36 V
Mootori pöörlemissagedus – SavE, p/min*	2600	2600
Mootori pöörlemissagedus – nimisagedus, p/min*	3000	3000
Mootori pöörlemissagedus – suur koormus, p/min*	3300	3300
Mootori väljundvõimsus – max kW	1,8	1,8
Mootori väljundvõimsus – nimivõimsus, kW	1,5	1,5
<b>Veomootor</b>		
Mootori väljundvõimsus – nimivõimsus, kW	–	0,3
Iseliikumiskiirus, km/h	–	3,0-5,0
Reguleeritavad kiirusetasemed	–	4
<b>Kaal</b>		
Kaal ilma akuta (kg)	31	41
<b>Aku</b>		
Aku tüüp	Husqvarna Akuseeria	Husqvarna Akuseeria



	LB 548i	LC 551iV
<b>Aku tööaeg</b>		
Aku tööaeg, min, (vabajooksul) SavE on aktiveeritud, ühe Husqvarna 5,2 Ah akuga (BLi200).	40	30
Aku tööaeg, min, (vabajooksul) standardrežiim on aktiveeritud, ühe Husqvarna 5,2 Ah akuga (BLi200).	30	20
<b>Müratasemed</b> <sup>22</sup>		
Helitugevuse tase, dB(A)	93	97
Müravõimsustase, garanteeritud L <sub>WA</sub> dB(A)	93	97
<b>Müratase</b> <sup>23</sup>		
Helirõhutase kasutaja kõrva juures, dB(A)	80	84
<b>Vibratsioonitase</b> <sup>24</sup>		
Käepide, m/s <sup>2</sup>	0,3	0,3
<b>Lõikeosa</b>		
Lõikekõrgus, mm	20-75	20-75
Niitmislaius, cm	48	51
Lõiketera standard	Multšitera 597466510	Koguri tera 597466310
Lõiketera, lisatarvik	–	Multšitera 597466410
Rohukoguri maht, l	–	65

\* Pööret minutis

KEES VAN DER SPEK  
TUINMACHINES \* STOLWIJK

Heakskidetud akud	Tüüp	Aku mahtuvus, Ah	Pinge, V	Kaal, naela/kg
BLi20	Liitiumioonaku	4,0	36	2,6/1,2
BLi200	Liitiumioonaku	5,2	36	2,8/1,3
BLi300	Liitiumioonaku	9,4	36	4,1/1,9
BLi550X	Liitiumioonaku	15,6	36	12,4/5,6
BLi950X	Liitiumioonaku	31,1	36	15,4/7,0

Määratletud akude heakskidetud akulaadid, BLI	Sisendpinge, V	Sagedus, Hz	Võimsus, W
QC80	100-240	50-60	80
QC80F	12	0	80
QC330	100-240	50-60	330

<sup>22</sup> Müramissioon ümbritsevasse keskkonda, mõõdetud helivõimsuse tasemena (L<sub>WA</sub>) vastavalt EÜ direktiivile 2000/14/EÜ.

<sup>23</sup> Mürarõhutase kohta toodud andmete statistiline dispersioon (standardhälve) on 1,2 dB(A).

<sup>24</sup> Vibratsioonitaseme kohta toodud andmete tüüpiline statistiline dispersioon (standardhälve) on 0,2 m/s<sup>2</sup>. Vibratsioonistandard EN 60335-2-77:2017 peatükk 20.105

Määratletud akude heakskidetud akulaadijad, BLi	Sisendpinge, V	Sagedus, Hz	Võimsus, W
QC500	100-240	50-60	500

**KEES VAN DER SPEK**  
TUINMACHINES ★ STOLWIJK

---

# EÜ vastavusdeklaratsioon

---

## EÜ vastavusdeklaratsioon

**Husqvarna AB**, SE-561 82 Huskvarna, Rootsi, tel:  
+46-36-146500, kinnitab käesolevaga, et **muruniiduk**  
**Husqvarna LB 548i, LC 551iV** alates aastast 2019  
vastab järgmiste NÖUKOGU DIREKTIVIDE nõuetele:

- **2011/65/EL** (8. juuni 2011), teatavate ohtlike ainete kasutamise piiramise kohta;
- **2006/42/EÜ** (17. mai 2006), masinadirektiiv;
- **2014/30/EL** (26. veebruar 2014), elektromagnetilise ühilduvuse direktiiv;
- **2000/14/EÜ** (8. mai 2000), müradirektiiv.

Mürataseme kohta leiab teavet tehniliste andmete osast.

Rakendatud on järgmisi standardeid:

**IEC 60335-1:2010, IEC 60335-2-77:2002, EN 60335-1:2012, EN 60335-2-77:2010 EN/IEC 62233:2008 EN 61000-6-3:2005 EN 61000-6-1:2005**

Kui pole märgitud teisiti, mõeldakse ülalpool loetletud standardite all nende kõige viimaseid avaldatud versioone.

Teavitatud asutus: **0404, RISE SMP Svensk Maskinprovning AB, Box 7035, SE-750 07 Uppsala** on teostanud vastavushindamise vastavalt direktiivi 2000/14/EÜ VI lisale ja väljastanud sertifikaadi numbriga: 01/901/324 (LB 548i), 01/901/323 (LC 551iV)

Huskvarna, 2020-01-20



Claes Losdal, aiandustoodete arendusdirektor  
(Husqvarna AB volitatud esindaja, tehnilise dokumentatsiooni vastutav juht)

---

## Sisältö

---

Johdanto.....	176	Vianmääritys.....	190
Turvallisuus.....	178	Kuljettaminen, säilyttäminen ja hävittäminen.....	191
Asentaminen.....	185	Tekniset tiedot.....	192
Käyttö.....	186	EY-vaatimustenmukaisuusvakuutus.....	194
Huolto.....	188		

---

## Johdanto

---

### Tuotekuvaus

Tuote on kävellen ohjattava ja pyörivä ruohonleikkuri. Mallissa LB 548i on BioClip-toiminto, joka leikkaa ruohon lannoitteeksi.

Malli LC 551iV kerää ruohon ruohonkerääjään. Voit ottaa ruohon taaksehittotoiminnon käyttöön irrottamalla

ruohonkerääjään. Voit tehdä ruohon leikkuujätteestä lannoitetta liittämällä ruohonleikkuriin silppurin (lisävaruste).

### Käyttötarkoitus

Käytä tuotetta ruohon leikkaamiseen yksityisissä puutarhoissa. Älä käytä laitetta muihin tehtäviin.

### Tuotteen kuvaus

(Kuva 1)

1. Ohjauspaneeli
2. Moottorin jarrukahva
3. Käynnistyksenestö
4. Ruohonkerääjä (LC 551iV)
5. Takasuojus (LC 551iV)
6. Turva-avain
7. Kahvan nuppi (LC 551iV)
8. Kahvan säätövipu (LB 548i)
9. Akun kansi
10. Leikkuukorkeuden säädin (LC 551iV)
11. Virtapainike
12. SavE-painike
13. SavE-ilmaisim
14. Akun ilmaisim
15. Nopeusilmaisim
16. Hidastuspainike
17. Nopeutuspainike
18. Vian merkkivalo
19. Leikkuusuojus
20. Ilmanottoaukot
21. Tyyppikilpi
22. Vetojärjestelmän sanka (LC 551iV)
23. Akkulaturi (lisävaruste)
24. Akku (lisävaruste)
25. Multiakku (lisävaruste)
26. Sovitinlevy (lisävaruste)
27. Multiakun sovitin (lisävaruste)
28. Käyttöohjekirja

### Laitteen symbolit

(Kuva 2)

**VAROITUS:** Tämä laite voi olla vaarallinen ja aiheuttaa käyttäjälle tai sivullisille vakavia vahinkoja tai kuoleman. Ole varovainen ja käytä laitetta oikein.

(Kuva 3)

Lue käyttöohje huolellisesti ja varmista, että ymmärrät sen sisällön, ennen kuin alat käyttää tätä konetta.

(Kuva 4)

Pidä sivulliset ja eläimet turvallisen välimatkan päässä työalueesta.

(Kuva 5)

Varo sinkoutuvia esineitä ja kimmokkeita.

- (Kuva 6) Varoitus: Pidä kädet ja jalat poissa pyörivän terän läheisyydestä.
- (Kuva 7) Varoitus: Pidä kädet ja jalat poissa pyörivien osien läheisyydestä.
- (Kuva 8) Irrota turva-avain ennen korjaus- tai huoltotöiden aloittamista.
- (Kuva 9) **Ympäristömerkintä.** Laitetta tai sen pakkausta ei saa hävittää kotitalousjätteen mukana. Vie se asianmukaiseen sähkö- ja elektroniikkalaitteiden keräyspisteeseen.
- (Kuva 10) Laite täyttää voimassa olevien EY-direktiivien vaatimukset.
- (Kuva 11) Laite täyttää voimassa olevien Euraasian tulliliiton direktiivien vaatimukset.
- (Kuva 12) Laite täyttää voimassa olevien UkrSEPRO-direktiivien vaatimukset.
- (Kuva 13) Laite täyttää voimassa olevien RCM-direktiivien vaatimukset. Vain AU/NZ
- (Kuva 14) Melupäästöt ympäristöön ovat EY-direktiivien mukaiset. Tuotteen melupäästöt

on ilmoitettu kohdassa *Tekniset tiedot sivulla 192* ja tuotteen tarrassa.

**IPX4** Suojattu roiskuvilta vedeltä.

**IPX4**

(Kuva 19) Käynnistäminen: paina virtapainiketta, avaa käynnistykseenesto ja paina moottorin jarrukahva alas.

(Kuva 15) Pysäyttämisen: vapauta moottorin jarrukahva.

(Kuva 16) Hidas

(Kuva 17) Nopea

(Kuva 18) Skannattava koodi

---

**Huomautus:** Muita laitteen symboleita/tarroja tarvitaan joillakin markkina-alueilla ilmaisemaan sertifiointivaatimuksia.

---

## Laiteen tarr

(Kuva 20)

Pidä kädet ja jalat poissa pyörivien terien läheisyydestä.

## Tuotevastuu

Tuotevastuulain mukaisesti emme ole vastuussa tuotteen aiheuttamasta vaurioista, jos

- tuote on korjattu virheellisesti
- tuotteen korjaamiseen on käytetty muita kuin valmistajan omia tai sen hyväksymiä osia
- tuotteessa on muu kuin valmistajan oma tai sen hyväksymä lisävaruste
- tuotetta ei ole korjattu valtuutetussa huoltopisteessä tai hyväksytyllä asiantuntijalla.

---

## Turvallisuus

---

### Turvallisuusmääritelmät

Varoituksia, huomioita ja huomautuksia käytetään, kun jotakin käyttöohjeen osaa halutaan erityisesti korostaa.



**VAROITUS:** Tätä käytetään, jos käyttöohjeen noudattamatta jättämisestä voi seurata käyttäjän tai sivullisen vamma tai kuolema.



**HUOMAUTUS:** Tätä käytetään, jos käyttöohjeen noudattamatta jättämisestä voi seurata koneen, muiden materiaalien tai ympäristön vaurioituminen.

**Huomautus:** Tätä käytetään tietyissä tilanteissa tarvittavien lisätietojen antamiseen.

### Yleiset turvaohjeet



**VAROITUS:** Lue seuraavat varoitusohjeet

ennen laitteen käyttämistä.

- Tämä laite on vaarallinen, jos sitä käytetään huolimattomasti tai virheellisesti. Turvaohjeiden noudattamatta jättäminen voi aiheuttaa vammoja tai kuoleman.
- Laite muodostaa käytön aikana sähkömagneettisen kentän. Kenttä saattaa joissakin olosuhteissa häiritä aktiivisten tai passiivisten lääketieteellisten implanttien toimintaa. Vakavien tai hengenvaarallisten tapaturmien ehkäisemiseksi kehotamme lääketieteellisiä implantteja käyttäviä henkilöitä neuvottelemaan lääkärin ja lääketieteellisen implantin valmistajan kanssa ennen laitteen käyttämistä.
- Ole aina varovainen ja käytä tervettä järkeä. Jos et ole varma, miten laitetta käytetään erityistilanteessa, sammuta laite ja ota yhteys Husqvarna-jälleenmyyjään, ennen kuin jatkat.
- Muista, että käyttäjä on vastuussa muille ihmisille tai

heidän omaisuudelleen aiheutuvista vahingoista.

- Pidä laite puhtaana. Varmista, että tuotteen merkit ja tarrat ovat luettavissa.
- Älä anna lasten tai näitä ohjeita tuntemattomien henkilöjen käyttää laitetta. Paikalliset määräykset saattavat rajoittaa käyttäjän ikää.
- Valvo aina laitetta käyttävää henkilöä, jonka fyysiset tai psyykkiset taidot ovat heikentyneet. Vastuullisen aikuisen on oltava aina paikalla.
- Älä käytä laitetta ollessasi väsynyt tai sairas tai jos olet alkoholin, huumaavien aineiden tai lääkkeiden vaikutuksen alaisena. Niillä on negatiivinen vaikutus näkökykyysi, vireytesi, harkintakykyysi ja kehosi hallintaan.
- Älä käytä konetta, jos se on viallinen.
- Älä tee tuotteeseen muutoksia tai käytä tuotetta, mikäli epäilet jonkun muun muuttaneen sitä.

## Työalueen turvallisuus



**VAROITUS:** Lue seuraavat varoitusohjeet

ennen laitteen käyttämistä.

- Poista työskentelyalueelta oksat, risut ja kivet ennen tuotteen käyttämistä.
- Terävarustukseen osuvat esineet sinkoutuvat edelleen ja voivat siten aiheuttaa vahinkoa ihmisille ja esineille. Pidä sivulliset ja eläimet turvallisen välimatkan päässä tuotteesta.
- Älä koskaan käytä laitetta huonolla säällä esimerkiksi sumussa, sateessa, kovassa tuulessa, ankarassa pakkasessa tai ukkosella. Laitteen käyttäminen huonolla säällä tai kosteissa tai märissä olosuhteissa on raskasta. Huono sää voi aiheuttaa vaaratilanteita, kuten liukastumisvaaran.
- Varo henkilöitä, esineitä ja tilanteita, jotka voivat estää laitteen turvallisen käytön.
- Varo esteitä, kuten juuria, kiviä, risuja, kuoppia ja ojia. Pitkän ruohon seassa voi olla esteitä.
- Ruohon leikkaaminen rinteissä voi olla vaarallista. Älä leikkaa ruohoa erittäin jyrkissä rinteissä. Älä käytä laitetta rinteessä, jonka kaltevuus on yli 15°.

- Noudata erityistä varovaisuutta vaihtaessasi suuntaa rinteessä. Käytä laitetta sivusuunnassa rinteeseen nähden. Älä käytä laitetta pystysuunnassa.
- Ole varovainen lähestyessäsi piilossa olevia kulmia ja esineitä, jotka estävät näkyvyyden.

## Työturvallisuus



**VAROITUS:** Lue seuraavat varoitusohjeet ennen laitteen käyttämistä.

- Käytä tätä tuotetta ainoastaan nurmikoiden leikkaamiseen. Tuotteita ei saa käyttää muihin käyttötarkoituksiin.
- Käytä henkilökohtaisia suojarusteita. Katso *Henkilökohtainen suojarustus sivulla 181*.
- Opettele pysäyttämään moottori nopeasti hätätilassa.
- Älä käytä laitetta sateella tai märissä olosuhteissa. Sähköiskun vaara kasvaa, jos laitteeseen pääsee vettä.
- Älä käytä tuotetta, ellei sen terää ja kaikkia suojuksia ole kiinnitetty asianmukaisesti. Virheellisesti kiinnitetty terä saattaa irrota ja aiheuttaa henkilövahinkoja.
- Varmista, ettei terä osu kiviin ja juuriin. Tämä voi vaurioittaa terää, ja moottorin akseli voi vääntyä. Vääntynyt akseli aiheuttaa voimakasta tärinää. Tällöin on erittäin suuri riski, että terä irtoaa.
- Jos terä osuu esineeseen tai alkaa täristä, pysäytä tuote välittömästi. Pysäytä moottori, vedä turva-avain ylös ja irrota akku. Tarkista laite vaurioiden varalta. Korjaa vauriot tai teetä korjaustyöt valtuutetussa huoltoliikkeessä.
- Älä koskaan liitä moottorin jarrukahvaa pysyvästi kahvaan moottoria käynnistettäessä.
- Aseta laite kiinteälle, tasaiselle alustalle ja käynnistä se. Varmista, ettei terä pääse osumaan maahan tai mihinkään esineeseen.
- Ole aina tuotteen takana käyttäessäsi sitä.
- Pidä kaikki renkaat maassa ja molemmat kätesi työntöaisalla käyttäessäsi tuotetta. Pidä kätesi ja jalkasi poissa pyöriä terien läheisyydestä.
- Älä kallista laitetta moottorin käynnistyksen aikana.
- Ole varovainen vetäessäsi laitetta taaksepäin.



- Älä koskaan nosta laitetta moottorin käynnistyksen aikana. Jos laite on nostettava, sammuta ensin moottori, vedä turva-avain ylös ja irrota akku.
- Älä kävele taaksepäin käyttäessäsi laitetta.
- Sammuta moottori, kun siirrä laitteen ruohottoman alueen yli, esimerkiksi ylittäessäsi sora-, kivi- tai asfalttipolkuja.
- Älä juokse laitteen kanssa, kun moottoria käynnistetään. Kävele aina, kun käytät laitetta.
- Sammuta moottori ennen kuin muutat leikkuukorkeutta. Älä koskaan tee säätöjä moottorin käydessä.
- Älä koskaan jätä laitetta ilman valvontaa moottorin käydessä. Sammuta moottori ja varmista, ettei terävarustus pyöri.

Turvallisuusohjeet käyttöä varten

## Henkilökohtainen suojarustus



**VAROITUS:** Lue seuraavat varoitusohjeet ennen laitteen käyttämistä.

- Henkilökohtaiset suojarusteet eivät poista tapaturmien vaaraa, mutta ne lieventävät vammoja

onnettomuustilanteessa. Anna jälleenmyyjän auttaa oikeiden varusteiden valinnassa.

- Käytä kestäviä luistamattomia saappaita tai kenkiä. Älä käytä avonaisia jalkineita tai kulje paljain jaloin.
- Käytä vahvakankaisia, pitkiä housuja.
- Käytä suojakäsineitä tarvittaessa, esimerkiksi terävarustuksen asennuksen, tarkastuksen ja puhdistuksen aikana.

## Tuotteen turvalaitteet



**VAROITUS:** Lue seuraavat varoitusohjeet ennen laitteen käyttämistä.

- Älä käytä laitetta, jos jokin sen turvalaitteista on rikki.
- Tarkasta turvalaitteet säännöllisesti. Jos turvalaitteissa on vikoja, ota yhteyttä Husqvarna-huoltoliikkeeseen.

## Leikkuusuojuksen tarkistaminen

Leikkuusuojuus vähentää laitteen tärinää ja terän aiheuttamaa tapaturmavaaraa.

- Tarkista leikkuusuojus vaurioiden, kuten halkeamien, varalta.

## Turva-avain

Turva-avain on akun kannen alla. Turva-avain kytkee akun, joka tuottaa tehoa moottorille.

## Turva-avaimen tarkistaminen

Turva-avain kytkee akun, joka tuottaa tehoa moottorille.

- Käynnistä ja sammuta moottori. Jos turva-avain toimii oikein, moottori käynnistyy vain, kun avain on turvalukossa.

## Moottorin jarrukahva

Moottorin jarrukahva pysäyttää moottorin. Kun moottorin jarrukahva vapautetaan, moottori pysähtyy.

Tarkista moottorijarru käynnistämällä moottori ja vapauttamalla sitten moottorin jarrukahva. Jos moottori ei pysähdy 3 sekunnissa, anna valtuutetun Husqvarna-huoltoliikkeen säätää moottorijarru.

(Kuva 21)

## Käynnistykseneston tarkistaminen

Tarkista käynnistyksenesto ja varmista, että se estää moottorin toiminnan.

1. Työnnä moottorin jarrukahvaa kahvaston suuntaan. Käynnistyksenesto pysäyttää liikkeen.
2. Työnnä käynnistyksenesto ulos. (Kuva 22)
3. Vapauta käynnistyksenesto ja varmista, että se palaa alkuasentoonsa.

## Akkuturvallisuus



**VAROITUS:** Lue seuraavat varoitusohjeet ennen laitteen käyttämistä.

- Käytä ladattavia Husqvarna-akkuja vain yhteensopivien Husqvarna-tuotteiden virtalähteenä. Tapaturmien välttämiseksi akkua ei saa käyttää muiden laitteiden virtalähteenä.
- Älä käytä akkuja, joita ei voi ladata.
- Sähköiskun vaara. Älä koske akun napoihin avaimella, kolikolla, ruuvilla tai muilla

metalliesineillä. Tämä voi aiheuttaa akun oikosulun.

- Älä aseta esineitä akun ilmarakoihin.
- Pidä akku suojassa suoralta auringonvalolta, kuumuudelta ja avotulelta. Akku voi räjähtää ja aiheuttaa palo- ja/tai syöpymisvammoja.
- Suojaa akku sateelta ja kosteilta olosuhteilta.
- Älä altista akkua mikroaalloille ja korkealle paineelle.
- Älä yritä purkaa tai rikkoa akkua.
- Jos akku vuotaa, älä anna nesteen joutua kosketuksiin kehon tai silmien kanssa. Jos nestettä joutuu iholle, puhdista alue heti runsaalla vedellä ja hakeudu lääkäriin.
- Käytä akkua  $-10...40\text{ °C}$ :n lämpötilassa.
- Älä pese akkua tai akkulaturia vedellä. Katso *Akun ja akkulaturin puhdistaminen sivulla 189*.
- Älä käytä viallista tai vaurioitunutta akkua.
- Säilytä akkuja varastossa kaukana metalliesineistä kuten nauloista, kolikoista ja koruista.

## Akkulaturin turvallisuus

---



**VAROITUS:** Lue seuraavat varoitusohjeet ennen laitteen käyttämistä.

---

- Käytä QC-akkulatureita vain Husqvarna-vara-akkujen lataukseen.
- Sähköiskun tai oikosulun vaara. Älä aseta esineitä laturin ilmarakoihin. Älä yritä purkaa akkulaturia. Älä liitä laturin liittimiä metalliesineisiin. Käytä hyväksytyä pistorasiaa.
- Laite muodostaa käytön aikana sähkömagneettisen kentän. Kenttä saattaa joissakin olosuhteissa häiritä aktiivisten tai passiivisten lääketieteellisten implanttien toimintaa. Vakavien tai hengenvaarallisten tapaturmien ehkäisemiseksi kehotamme lääketieteellisiä implantteja käyttäviä henkilöitä neuvottelemaan lääkärin ja lääketieteellisen implantin valmistajan kanssa ennen laitteen käyttämistä.
- Tarkista säännöllisesti, että akkulaturin virtajohto ei ole vaurioitunut ja ettei siinä ole murtumia.

- Älä nosta akkulaturia virtajohdosta. Irrota akkulaturi pistorasiasta vetämällä pistoke ulos. Älä vedä virtajohdosta.
- Pidä virtajohto ja jatkojohdot poissa veden, öljyn ja terävien reunojen ulottuvilta. Pidä huolta, ettei kaapeli kiristy ovien, aitojen tai muiden vastaavien esineiden kohdalla. Se voi muuttaa laturin jännitteelliseksi.
- Älä pese akkulaturia vedellä.
- Yli 8-vuotiaat lapset ja henkilöt, joiden fyysinen, sensorinen tai henkinen toimintakyky on alentunut tai joilla ei ole riittävästä kokemusta tai taitoja laitteen käyttöön, saavat käyttää akkulaturia, mikäli he ovat saaneet ohjausta tai ohjeita akkulaturin turvallisesta käytöstä ja ymmärtävät siihen liittyvät vaarat. Lapset eivät saa leikkiä akkulaturilla. Lapset eivät saa puhdistaa tai huoltaa laitetta ilman valvontaa.
- Älä lataa akkulaturilla akkuja, jotka eivät sovellu uudelleenlataukseen.
- Älä käytä akkulaturia herkästi syttyvien materiaalien tai syöpymistä aiheuttavien materiaalien lähellä. Älä peitä akkulaturia. Jos havaitset

savua tai tulta, irrota akkulaturin pistoke pistorasiasta.

- Älä käytä viallista tai vaurioitunutta akkulaturia.
- Lataa akku vain sisätiloissa poissa auringonvalosta ja tilassa, jossa on hyvä ilmanvaihto. Älä lataa akkua märissä olosuhteissa.

## Turvaohjeet huoltoa varten



**VAROITUS:** Lue seuraavat varoitusohjeet ennen laitteen käyttämistä.

- Irrota turva-avain ennen koneen huoltotoita.
- Laitteen oikeanlainen huoltaminen pidentää sen käyttöikää ja pienentää onnettomuusvaaraa. Anna huoltotyö valtuutetun huoltoliikkeen tehtäväksi. Kysy lisätietoja lähimmästä huoltoliikkeestä.
- Tee laitteelle ainoastaan käyttöohjekirjassa mainitut huoltotoimenpiteet.
- Käytä työrukkasia, kun käsittelet terävarustusta. Terä on erittäin terävä ja aiheuttaa helposti haavoja.
- Pidä leikkausreunat terävinä ja puhtaina, jotta laitteen

suorituskyky ja turvallisuus pysyvät mahdollisimman hyvänä.

- Anna huoltoliikkeen tarkastaa laite säännöllisesti ja tarvittaessa säätää ja korjata se.
- Vaihda vaurioituneet, kuluneet tai rikkoutuneet osat.
- Noudata lisävarusteiden vaihtoa koskevia ohjeita.

Käytä ainoastaan valmistajan lisävarusteita.

- Kun laitetta ei käytetä, säilytä se, akku ja akkulaturi erillään kuivassa ja lukitussa sisätilassa. Varmista, että lapset ja asiattomat henkilöt eivät pääse käsiksi laitteeseen, akkuun tai akkulatureihin.

---

## Asentaminen

---

### Johdanto



**VAROITUS:** Lue ja sisäistä turvallisuutta käsittelevä luku ennen laitteen asentamista.

### Multiakun (lisävaruste) asentaminen ja irrottaminen

1. Irrota moottorin suojuksesta neljä kumisuojusta ja neljä ruuvia. (Kuva 23)
2. Aseta sovitinlevy moottorin suojukseen.
3. Kiinnitä sovitinlevy neljällä mukana toimitetulla ruuvilla kiristysmomenttiin 5–6 Nm. (Kuva 24)
4. Avaa akun kansi.
5. Irrota akku paikasta 1. (Kuva 25)
6. Irrota tiivisteestä pidätin. (Kuva 26)
7. Työnnä akkusovitin akkutilaan niin, että se napsahtaa paikalleen. (Kuva 27)
8. Työnnä akkusovittimen johto tiivisteestä pidättimen aukon läpi. Kiinnitä johto pidikkeellä. (Kuva 28)
9. Asenna multiakku akkusovittimeen.
10. Kytke multiakku akkusovittimeen. (Kuva 29)
11. Kiinnitä akkusovittimen johto kahvaan kolmella kangashihnalla. (Kuva 30)
12. Irrota multiakku päinvastaisessa järjestyksessä.



**VAROITUS:** Älä kiinnitä johtoa liian löysästi kahvaan. Johto voi irrota kahvasta ja aiheuttaa vammoja.

### Kahvan asentaminen (LC 551iV)

1. Irrota alemmat nupit.

2. Liu'uta nupit urien alaosaan laitteen molemmin puolin. (Kuva 31)
3. Aseta kahvan korkeus jompaankumpaan käytettävissä olevista asennoista.
4. Liu'uta nuppeja ylöspäin kahvaa kohti, kunnes ne pysähtyvät ja kuulet naksahduksen. (Kuva 32)
5. Kiristä nupit huolellisesti.

### Kahvan asentaminen (LB 548i)

1. Irrota kahvamutteri ja aluslevy yläkahvan levystä.
2. Aseta yläkahva paikalleen alakahvan päälle.



**HUOMAUTUS:** Varmista, että johdot eivät jää väliin tai vahingoitu.

3. Kiinnitä aluslevy ja kahvan säätövipu. (Kuva 33)
4. Voit parantaa käyttöasentoa kääntämällä kahvaa sivulle, kun käytät laitetta seinän vieressä. (Kuva 34)

### Ruohonkerääjän (LC 551iV) asentaminen

1. Kiinnitä ruohonkerääjän kehys keruupussiin niin, että pussin jäykkä osa on alhaalla. Pidä kehysten kahva keruupussin yläpuolella. (Kuva 35)
2. Kiinnitä ruohonkerääjän kehysten alaosa ruohonkerääjän alaosaan olevaan uraan.
3. Kiinnitä keruupussi ruohonkerääjän runkoon kiinnikkeillä. (Kuva 36)
4. Nosta takasuojus ylös.
5. Kiinnitä ruohonkerääjän rungon yläreunaan.
6. Aseta ruohonkerääjän alempi osa ruohon ulosheittokanavaan. (Kuva 37)

## Silppurin tulpan asentaminen (LC 551iV-lisävaruste)

1. Nosta takasuojus ylös ja irrota ruohonkerääjä.

2. Aseta silppurin tulppa ruohonkerääjän ulosheittokanavaan. (Kuva 38)
3. Vaihda terän tilalle silppurisarjan mukana toimitettu silppuriterä. Katso *Terän vaihtaminen sivulla 189*.

## Käyttö

### Johdanto



**VAROITUS:** Lue turvallisuutta käsittelevä luku niin, että ymmärrät sen sisällön, ennen laitteen käyttämistä.

### Husqvarna Connect

Husqvarna Connect on ilmainen mobiililaitesovellus. Husqvarna Connect -sovellus saat lisätoimintoja Husqvarna-koneeseen:

- Enemmän tuotetietoja.
- Tietoja koneen osista ja huolto-ohjeita.

### Husqvarna Connect -käytön aloittaminen

1. Lataa Husqvarna Connect -sovellus mobiililaitteeseesi.
2. Rekisteröi Husqvarna Connect -sovelluksessa.
3. Liitä ja rekisteröi kone Husqvarna Connect -sovelluksen ohjeiden mukaan.

### Husqvarna Fleet Services™

Husqvarna Fleet Services™ on verkkoratkaisu, joka tarjoaa kaupallisen konekannan hallinnoijalle ajantasaiset tiedot kaikista laitteista. Husqvarna Fleet Services™ sisältyy LC 551iV -leikkuriin. Lisätietoja Husqvarna Fleet Services™ -palvelusta on osoitteessa [www.husqvarna.fi](http://www.husqvarna.fi).

### Sensorin (lisävaruste) valmistelu

1. Avaa sensorin kansi sensorin avaimella. (Kuva 39)
2. Irrota sensori.
3. Kiinnitä akku sensoriin. Sensorin LED-valo syttyy. (Kuva 40)
4. Lataa Husqvarna Fleet Services™ -sovellus.
5. Kirjautu sisään Husqvarna Fleet Services™ -sovellukseen.
6. Muodosta laitepari. Katso *Laiteparin muodostaminen sovelluksen ja laitteen välillä sivulla 186*

### Laiteparin muodostaminen sovelluksen ja laitteen välillä

1. Kirjautu sisään Husqvarna Fleet Services™ -sovellukseen.
2. Valitse laite sovelluksesta.
3. Asenna sensori sovellukseen skannaamalla sensorin takana oleva koodi mobiililaitteella.

**Huomautus:** Laiteparin muodostaminen sovelluksen ja laitteen välillä on tehtävä vain kerran.

### Sensorin asentaminen

1. Varmista, että sensori on yhdistetty Husqvarna Fleet Services™ -sovellukseen. Katso kohta *Laiteparin muodostaminen sovelluksen ja laitteen välillä sivulla 186*.
2. Poraa kotelossa olevaan syvennykseen kaksi reikää. (Kuva 41)

**Huomautus:** Varmista, että reiät ovat samankokoisia kuin sensorin mukana toimitetut niitit.

3. Irrota sensorisyvennyksen ulommat reiät pihdeillä. (Kuva 42)
4. Poraa sensorisyvennykseen kaksi reikää. (Kuva 43)
5. Kohdista sensorisyvennyksen kotelossa olevaan syvennykseen. (Kuva 44)
6. Kiinnitä sensorisyvennyksen niiteillä.
7. Asenna sensori sensorisyvennykseen. Kohdista sensorin valkoinen merkki sensorisyvennyksen merkin kanssa. (Kuva 45)
8. Sulje sensorin kansi ja lukitse se sensorin avaimella. Varmista, että H-kirjaimen yläosa sanassa Husqvarna osoittaa pois päin turva-avaimesta. (Kuva 46)

### Laitteen asettaminen käyttöasentoon (LC 551iV)

1. Nosta kahva pystyasentoon. (Kuva 47)
2. Liu'uta nuppeja ylöspäin kahvaa kohti, kunnes ne pysähtyvät ja kuulet naksahduksen. (Kuva 32)
3. Kiristä nupit huolellisesti.

### Leikkuukorkeuden asettaminen

Leikkuukorkeuden säädössä on 6 tasoa.

1. Nosta leikkuukorkeutta painamalla leikkuukorkeuden säädintä ensin pyörän suuntaan ja sitten taaksepäin.
2. Laske leikkuukorkeutta painamalla leikkuukorkeuden säädintä ensin pyörän suuntaan ja sitten eteenpäin. (Kuva 48)



**HUOMAUTUS:** Älä aseta leikkuukorkeutta liian alhaiseksi. Jos ruohikon pinta ei ole tasainen, terät voivat osua maahan.

## Akku



**VAROITUS:** Ennen kuin käytät akkua, lue turvallisuutta käsittelevä luku niin, että ymmärrät sen sisällön. Lue myös akun ja akkulaturin käyttöohje niin, että ymmärrät sen sisällön.

### Akun tila

Näyttö osoittaa akun varaustason ja mahdolliset akkuun liittyvät ongelmat. Akun varaustaso näytetään viiden sekunnin ajan tuotteen sammuttamisen tai akun varaustilan ilmaisin -painikkeen painamisen jälkeen. Vihreen tapahtuessa akun varoitusymboli syttyy. Katso *Akku sivulla 190*.

(Kuva 49)

LED-merkkivalot	Akun tila
Kaikki LED-merkkivalot palavat.	Täysin ladattu (75–100 %)
LED 1, LED 2 ja LED 3 palavat	Akun varaustaso on 50–75 %.
LED 1 ja LED 2 palavat	Akun varaustaso on 25–50 %.
LED 1 palaa	Akun varaustaso on 0–25 %.
LED 1 vilkkuu.	Akku on tyhjä. Lataa akku.

### Akun lataaminen

Lataa akku ennen ensimmäistä käyttökertaa. Akun varaus on toimitettaessa vain 30 %.

**Huomautus:** Akkulaturi on kytkettävä tyyppikilven mukaiseen jännitteeseen ja taajuuteen.

Akku ei lataudu, jos akun lämpötila on yli 50 °C. Akkulaturi viilentää akkua ennen kuin se alkaa latautua.

1. Kytke akkulaturin virtajohdon toinen pää akkulaturin liitäntään.
2. Kytke sitten akkulaturin virtajohdon toinen pää maadoitettuun pistorasiaan. Akkulaturin vihreä merkkivalo vilkkuu kerran. (Kuva 50)
3. Aseta akku akkulaturiin. Laturin vihreä valo syttyy, kun akku on kytketty oikein akkulaturiin. (Kuva 51)
4. Kun akun kaikki LED-merkkivalot syttyvät, akku on ladattu täyteen. Lataa akkua enintään 24 tuntia.
5. Kun irrotat akkulaturin pistorasiasta, älä vedä johdosta, vaan pistokkeesta.
6. Irrota akku akkulaturista.

### Akun varaustila

Husqvarna-litiumioniakkua voi ladata tai käyttää sen varaustasosta riippumatta. Akku ei ole vaurioitunut.

Täyteen ladattu akku ei menetä varaustaan, kun se jätetään laturiin.

LED-näyttö	Varaustila
LED 1 vilkkuu.	0–25 %
LED 1 palaa, LED 2 vilkkuu	25–50 %
LED 1 ja LED 2 palavat ja LED 3 vilkkuu.	50–75 %
LED 1, LED 2 ja LED 3 palavat, LED 4 vilkkuu.	75–100 %
LED 1, LED 2, LED 3, LED 4 palavat	Täyteen ladattu

### Multiakun lataaminen

**Huomautus:** Lataa akku, jos sitä käytetään ensimmäisen kerran. Uuden akun varaus on vain 30 %.

1. Varmista, että akku on kuiva.
  2. Kiinnitä multiakku sovitteeseen. (Kuva 52)
  3. Aseta sovitin akkulaturiin.
  4. Varmista, että akkulaturin vihreä latausvalo syttyy. Tämä tarkoittaa, että sovitin ja multiakku on liitetty oikein. (Kuva 53)
  5. Kun akun kaikki merkkivalot syttyvät ja sovitinissä näkyy lukema 100 %, akku on ladattu täyteen. (Kuva 54)
- Sovitin näyttää latauksen tilan 1 %:n tarkkuudella. Pienen poikkeamat ovat mahdollisia latauksen alussa.
6. Irrota akkulaturi pistorasiasta vetämällä pistoketta. Älä vedä kaapelista.
  7. Irrota sovitin akkulaturista.
  8. Irrota multiakku sovitimesta.

**Huomautus:** Katso lisätietoja multiakun ja akkulaturin käyttöohjeista.

### Laitteen käynnistäminen

1. Nosta akun kantta.
2. Aseta ladattu akku akun kannen alle akkupaikkaan numero 1. Pidennä käyttöaikaa asettamalla toinen ladattu akku akkupaikkaan numero 2.
3. Irrota turva-avain turva-avaimen pidikkeestä.
4. Työnnä turva-avain turvalukkoon. (Kuva 55)
5. Seiso laitteen takana.
6. Paina ohjauspaneelin ON/OFF-virtapainiketta. Näyttö käynnistyy.
7. Avaa käynnistyskenosto. (Kuva 22)

8. Työnnä moottorin jarrukahvaa kahvaston suuntaan. (Kuva 56)

## Vetojärjestelmän käyttäminen pyörillä (LC 551IV)

- Käynnistä veto vetämällä vetojärjestelmän sanka työntöaisan suuntaan. (Kuva 57)
- Voit säätää ajonopeutta neljän eri nopeuden välillä painamalla + tai -painikkeita ohjauspaneelissa. (Kuva 58)
- Kytke vetojärjestelmä pois käytöstä vapauttamalla vetojärjestelmän sanka esimerkiksi lähestyessäsi estettä.

## SavE-toiminnon käyttäminen

Laitteessa on akkua säästävä toiminto (SavE), joka pidentää käyttöaikaa.

1. Käynnistä toiminto painamalla SavE-painiketta (A). Näytön SavE-symboli (B) syttyy.
2. Sammuta toiminto painamalla uudelleen SavE-painiketta. Näytön SavE-symboli (B) sammuu. (Kuva 59)

SavE-toiminto sammuu automaattisesti, jos nurmikon olosuhteet vaativat suurempaa tehoa. SavE-toiminto käynnistyy automaattisesti uudelleen, kun nurmikon olosuhteet sallivat sen.

## PowerBoost-toiminto

Kun laitteella leikataan korkeaa tai märkää ruohoa, moottori lisää automaattisesti kierrosnopeutta. Moottori siirtyy automaattisesti normaaliin tilaan, kun PowerBoost-toimintoa ei tarvita. Tämä säästää akun virtaa.

## Laitteen pysäyttäminen

Laitte sammuu automaattisesti, jos sitä ei käytetä 3 minuuttiin.

1. Pysäytä moottori vapauttamalla moottorin jarrukahvaa. (Kuva 21)
2. Paina ohjauspaneelin ON/OFF-virtapainiketta. Kaikki näytön merkkivalot ja symbolit sammuvat. (Kuva 60)
3. Irrota turva-avain turvalukosta ja aseta se pidikkeeseensä.

## Hyvän tuloksen saavuttaminen

- Käytä aina hyvin teroitettua terää. Tylsä terä leikkaa epätasaisesti ja ruohosta tulee keltaista leikatun pinnan kohdalta. Hyvin teroitettu terä käyttää myös tylsää terää vähemmän energiaa.
- Älä leikkaa enempiä kuin 1/3 ruohon pituudesta. Aseta leikkuukorkeus ensimmäisellä leikkuukerralla korkeaksi. Tutkittuasi leikkuutuloksen voit laskea leikkuukorkeuden haluamallasi tasolle. Jos ruoho on erittäin pitkää, kulje hitaasti ja leikkaa nurmikko tarvittaessa kaksi kertaa.
- Leikkaa joka kerta eri suuntiin, jotta nurmikkoon ei tule raitoja.

## Ruohon leikkaaminen ilman kiinnitettyä ruohonkerääjää tai silppurin tulppaa (LC 551IV)

1. Nosta takasuojus ylös ja irrota ruohonkerääjä.
2. Jos silppurin tulppa ja silppuamisterä on kiinnitetty, irrota ne.
3. Sulje takasuojus ennen laitteen käyttämistä.

Kun käytät laitetta, ruohosilppu purkautuu takasuojuksen alle.

## Huolto

### Johdanto



**VAROITUS:** Ennen minkäänlaisten huoltotöiden aloittamista sinun on luettava turvallisuutta käsittelevä luku niin, että ymmärrät sen sisällön.

Kaikkiin tuotteelle tehtäviin huolto- ja korjaustöihin tarvitaan erityiskoulutus. Takaamme, että tuotteemme huolletaan ja korjataan ammattimaisesti. Jos

jälleenmyyjäsi ei ole huoltoliike, pyydä jälleenmyyjää neuvomaan lähin huoltoliike.

### Huoltokaavio

Huoltovälit on laskettu laitteen päivittäisen käytön perusteella. Välit voivat muuttua, jos laitetta ei käytetä päivittäin.

Lisätietoja \*-merkillä merkityistä huolloista on kohdassa *Turvallisuusohjeet käyttöä varten sivulla 181.*

	Jokaisella käyttökerralla	Kuukausittain	Kerran käyttökaudessa
Tee yleistarkastus.	X		



	Jokaisella käyttökerralla	Kuukausittain	Kerran käyttökäudessa
Puhdista voimansiirron kannet. Varmista, ettei moottorissa ole ruohoa.	X		
Tarkista käynnistyksenesto *	X		
Varmista, että tuotteen turvalaitteissa ei ole vikoja *	X		
Tarkista ruohonkerääjä kulumisen tai heikkenemisen varalta.	X		
Tarkista terävarustus.	X		
Tarkista leikkuusuojus*.	X		
Tarkista moottorin jarrukahva *	X		
Tarkista, että virtapainike toimii oikein eikä se ole viallinen	X		
Tarkista akku vaurioiden varalta	X		
Tarkista akun varaustila	X		
Tarkista, että akun vapautuspainikkeet toimivat oikein ja että akku lukittuu laitteeseen	X		
Puhdista ilmanottoaukot. Varmista, ettei ilmanottoaukoissa ole ruohoa tai likaa.	X		
Tarkista akkulaturi vaurioiden varalta ja varmista, että se toimii oikein.		X	
Tarkista akun ja laitteen väliset kytkennät. Tarkista myös akun ja akkulaturin välisen kytkentä.			X

## Yleistarkastus

- Varmista, että tuotteen kaikki ruuvit ja mutterit on kiristetty.
- Varmista, että laitteen kaapelit on asennettu siten, että ne eivät vahingoitu.

## Terän vaihtaminen

1. Lukitse terä puukiilalla. (Kuva 61)
2. Irrota teräpultti, aluslevy ja terä. (Kuva 62)
3. Tarkista terätuki ja -pultti vaurioiden varalta.
  - a) Jos vaihdat terän tai terätuen, vaihda myös teräpultti, jousialuslevy ja kitka-aluslevy.
4. Tutki moottorin akseli ja varmista, ettei se ole vääntynyt.
5. Asenna uusi terä siten, että käännetty päät osoittavat leikkuusuojuksen suuntaan. (Kuva 63)
6. Aseta kitka-aluslevy ja terä terätukea vasten. (Kuva 64)
7. Varmista, että terä on kohdistettu moottorin akselin keskiosan kanssa. (Kuva 65)
8. Lukitse terä puukiilalla. (Kuva 66)
9. Kiinnitä jousialuslevy paikalleen ja kiristä pultti momenttiin 65-75 Nm. (Kuva 67)
10. Pyöritä terää käsin ja varmista, että se pyörii vapaasti.



**VAROITUS:** Käytä suojakäsineitä. Terä on erittäin terävä ja aiheuttaa helposti haavoja.

11. Testaa terää käynnistämällä laite. Jos terä ei ole kiinnitetty asianmukaisesti, laite tärisee tai sen leikkuutullos ei ole tyydyttävä.

## Laitteen puhdistaminen

- Puhdista muoviosat puhtaalla ja kuivalla liinalla.
- Älä käytä vettä, kun puhdistat laitetta. Vesi voi päästä akkuun tai moottoriin ja vaurioittaa laitetta tai aiheuttaa oikosulun.
- Älä käytä laitteen puhdistamiseen painepesuria.
- Älä suihkuta vettä suoraan moottorin päälle.
- Poista lehdet, ruoho ja lika harjalla.

## Akun ja akkulaturin puhdistaminen



**HUOMAUTUS:** Älä pese akkua tai akkulaturia vedellä.

- Varmista, että akku ja akkulaturi ovat puhtaita ja kuivia ennen kuin laitat akun akkulaturiin.
- Puhdista akun liittimet paineilmalla tai pehmeällä, kuivalla liinalla.
- Puhdista akun ja akkulaturin pinnat pehmeällä, kuivalla liinalla.

## Terävarustuksen tarkistaminen



**VAROITUS:** Jotta laite ei käynnisty vahingossa, vedä turva-avain ylös, irrota akku ja odota vähintään viisi sekuntia.



**VAROITUS:** Käytä suojakäsineitä huoltaessasi terävarustusta. Terä on erittäin terävä ja aiheuttaa helposti haavoja.

1. Tutki terävarustus vaurioiden tai halkeamien varalta. Vaurioitunut terävarustus on aina vaihdettava.
2. Tarkista, onko terä vaurioitunut tai tylsä.

**Huomautus:** Terä on tasapainotettava oikein teroituksen jälkeen. Anna huoltoliikkeen teroittaa, vaihtaa ja tasapainottaa terä. Jos osut esteeseen niin, että tuote pysähtyy, vaihda vaurioitunut terä. Anna huoltoliikkeen arvioida, voiko terän teroittaa vai onko se vaihdettava.

## Vianmääritys

### Akku

Akun merkkivalo	Mahdolliset viat	Mahdollinen toimenpide
Vihreä merkkivalo vilkkuu	Akun jännite on alhainen	Lataa akku. Katso <i>Akun lataaminen sivulla 187</i> .
Vian merkkivalo vilkkuu	Akun varaus on heikko	Lataa akku. Katso <i>Akku sivulla 190</i> .
	Työympäristön lämpötila on liian korkea tai liian matala	Käytä akkua -10...40 °C:n lämpötilassa.
	Ylijännite	Tarkista, että verkkojännite vastaa laitteeseen kiinnitetyssä arvokilvessä ilmoitettua jännitettä. Irrota akku akkulatorista. Odota viisi sekuntia ja yritä ladata akkua uudelleen. Jos ongelma jatkuu, ota yhteys valtuutettuun huoltoliikkeeseen.
Vian merkkivalo palaa	Akkukennoston väli liian suuri (1 V)	Ota yhteys valtuutettuun huoltoliikkeeseen.

### Akkulaturi

Akkulaturin merkkivalo	Mahdolliset viat	Mahdollinen toimenpide
Vian merkkivalo vilkkuu	Työympäristön lämpötila on liian korkea tai liian matala	Käytä akkulaturia 5...40 °C:n lämpötilassa.
Vian merkkivalo palaa		Ota yhteys valtuutettuun huoltoliikkeeseen

### Ohjauspaneeli

Virhekoodi (merkkivalon vilkaidusten määrä)	Mahdolliset viat	Mahdollinen toimenpide
1	Voimansiirto on liian kuuma.	Anna laitteen jäähtyä. Varmista, ettei voimansiirrosta ole ruohoa. Puhdista voimansiirron kansi tarvittaessa.
5	Mootorin nopeus laskee liikaa ja moottori pysähtyy.	Puhdista leikkulaite ja lisää leikkukorkeutta. Katso kohta <i>Leikkukorkeuden asettaminen sivulla 186</i> . Jos virhe ei poistu, ota yhteys hyväksytyyn huoltoliikkeeseen.
8	Akun varaus on heikko.	Lataa akku. Katso <i>Akun lataaminen sivulla 187</i> .

Virhekoodi (merkkivalon vilkaidusten määrä)	Mahdolliset viat	Mahdollinen toimenpide
9	Akkuvika tai akusta ei saada signaalia.	Aseta akku laitteeseen oikein ja tarkista akkuliitin. Jos akun vian merkkivalo vilkkuu, katso <i>Akku sivulla 187</i> .
10	Moottorin ohjaus on liian kuuma.	Sammuta moottori ja odota, että se jäähtyy.
Muut virheet	Jos muita virheitä ilmenee, irrota turva-avain ja akku ja ota yhteys valtuutettuun huoltoliikkeeseen.	

## Kuljettaminen, säilyttäminen ja hävittäminen

### Johdanto



**VAROITUS:** Jotta kone ei käynnisty vahingossa kuljetuksen aikana, vedä turva-avain ylös, irrota akku ja odota vähintään viisi sekuntia.

### Tuotteen asettaminen kuljetusasentoon (LC 551iV)

1. Irrota alemmat nupit.
2. Liu'uta nupit urien alaosaan laitteen molemmin puolin. (Kuva 31)
3. Taita kahva eteen. (Kuva 68)
4. Irrota ruohonkeräjä.

### Kuljettaminen

- Vaarallisten aineiden lainsäädännön määräykset koskevat tuotteessa olevia litiumioniakkuja.
- Tavarakuljetuksessa on noudatettava pakkausta ja merkintöjä koskevia erityismääräyksiä.
- Muista noudattaa vaarallisia aineita koskevia määräyksiä, kun valmistelet laitetta kuljetukseen. Myös mahdollisia paikallisia määräyksiä on noudatettava.
- Irrota akku aina kuljetuksen ajaksi.
- Teippaa akkuliittimet ja varmista, että akku ei pääse liikkumaan kuljetuksen aikana.
- Kiinnitä laite kuljetuksen ajaksi.

### Säilytys

- Irrota akku aina säilytyksen ajaksi.
- Onnettomuuksien välttämiseksi varmista, ettei akku ole kytkettynä laitteeseen säilytyksen aikana.

- Säilytä akkulatoria ainoastaan suljetussa ja kuivassa paikassa.
- Säilytä akkua ja akkulatoria kuivassa paikassa, jossa lämpötila ei laske pakkasen puolelle.
- Irrota akku akkulatorista varastoinnin ajaksi.
- Älä säilytä akkua paikassa, jossa on staattista sähköä. Älä säilytä akkua metallilaatikossa.
- Säilytä akkua 5–25 °C:n lämpötilassa ja poissa suorasta auringonvalosta.
- Säilytä akkulatoria 5–45 °C:n lämpötilassa ja poissa suorasta auringonvalosta.
- Varmista, että akun varaustaso on 30–50 % ennen pitkäaikaista säilytystä.
- Säilytä laitetta, akkua ja akkulatoria lukitussa tilassa lasten ja asiaankuulumattomien henkilöiden ulottumattomissa.
- Puhdista laite ja tee täysi huolto ennen pitkäaikaista säilytystä.

### Hävittäminen

Laitteessa tai sen pakkauksessa olevat symbolit osoittavat, ettei laitetta saa hävittää kotitalousjätteen mukana. Se on toimitettava asianmukaiseen sähkö- ja elektroniikkalaitteiden keräyspisteeseen.

Varmistamalla laitteen asianmukaisen hävittämisen autat vähentämään mahdollisia negatiivisia ympäristövaikutuksia, joita tämän laitteen virheellisestä hävittämisestä koituisi. Lisätietoja tämän laitteen kierrätyksestä saat ottamalla yhteyden kotikuntasi viranomaisiin, jätehuoltoon tai laitteen myyneeseen liikkeeseen.

(Kuva 69)

## Tekniset tiedot

### Tekniset tiedot

	LB 548i	LC 551iV
<b>Leikkuuomotti</b>		
Moottorityyppi	BLDC (harjaton) 36 V	BLDC (harjaton) 36 V
Moottorin nopeus – SavE, r/min*	2 600	2 600
Moottorin nopeus – nimellinen, r/min*	3 000	3 000
Moottorin nopeus – suuri kuormitus, r/min*	3300	3300
Moottorin teho – enintään, kW	1,8	1,8
Moottorin teho – nimellinen, kW	1,5	1,5
<b>Ajomootori</b>		
Moottorin teho – nimellinen, kW	–	0,3
Liikkumisnopeus, km/h	–	3,0–5,0
Nopeuden säätötasot	–	4
<b>Paino</b>		
Paino ilman akkua, kg	31	41
<b>Akku</b>		
Akkutyypit	Husqvarna-akkusarja	Husqvarna-akkusarja
<b>Akun käyttöaika</b>		
Akun käyttöaika, min, (vapaa käyttö) SavE-toiminto käytössä, yksi 5,2 Ah:n Husqvarna-akku (Bli200).	40	30
Akun käyttöaika minuutteina (joutokäynti), normaali tila käytössä, yksi 5,2 Ah:n Husqvarna-akku (Bli200).	30	20
<b>Melupäästöt</b> <sup>25</sup>		
Äänen tehotaso, mitattu dB(A)	93	97
Äänen tehotaso, taattu L <sub>WA</sub> dB(A)	93	97
<b>Äänitasot</b> <sup>26</sup>		
Äänenpainetaso käyttäjän korvan tasalla, dB(A)	80	84
<b>Tärinätasot</b> <sup>27</sup>		
Kahva, m/s <sup>2</sup>	0,3	0,3
<b>Terälaite</b>		
Leikkuukorkeus, mm	20–75	20–75
Leikkuuleveys, cm	48	51

<sup>25</sup> Melupäästö ympäristöön äänentehona (L<sub>WA</sub>) EY-direktiivin 2000/14/EY mukaisesti mitattuna.

<sup>26</sup> Äänenpainetasoista ilmoitettujen tietojen tyypillinen tilastollinen hajonta (keskihajonta) on 1,2 dB(A).

<sup>27</sup> Tärinätasolle ilmoitetuissa tiedoissa tyypillinen tilastollinen hajonta (vakiopoikkeama) on 0,2 m/s<sup>2</sup>. Tärinästandardi EN 60335-2-77:2017, luku 20.105

	<b>LB 548i</b>	<b>LC 551iV</b>
Terä, vakio	Silppuava 597466510	Keruuterä 597466310
Terälisävaruste	–	Silppuava 597466410
Ruohonkerääjän tilavuus, litraa	–	65

\* Kierrokset minuutissa

<b>Hyväksytyt akut</b>	<b>Tyyppi</b>	<b>Akun kapasiteetti, Ah</b>	<b>Jännite, V</b>	<b>Paino, kg</b>
BLi20	Litiumioni	4,0	36	1,2
BLi200	Litiumioni	5,2	36	1,3
BLi300	Litiumioni	9,4	36	4,1
BLi550X	Litiumioni	15,6	36	12,4
BLi950X	Litiumioni	31,1	36	15,4

<b>Hyväksytyt laturit tietyille BLi-akulle</b>	<b>Tulojännite, V</b>	<b>Taajuus, Hz</b>	<b>Teho, W</b>
QC80	100-240	50-60	80
QC80F	12	0	80
QC330	100-240	50-60	330
QC500	100-240	50-60	500

## EY-vaatimustenmukaisuusvakuutus

**Husqvarna AB**, SE-561 82 Huskvarna, Ruotsi, puh.:  
+46-36-146500, vakuuttaa, että **Husqvarna, LB 548i, LC  
551iV -ruohonleikkurit** vuodesta 2019 alkaen ovat  
seuraavien NEUVOSTON DIREKTIIVIEN mukaisia:

- 8. kesäkuuta 2011 annettu direktiivi **2011/65/EU**  
tiettyjen vaarallisten aineiden käytön rajoittamisesta
- 17. toukokuuta 2006 annettu konedirektiivi  
**2006/42/EY**
- 26. helmikuuta 2014 annettu direktiivi **2014/30/EU**  
sähkömagneettisesta yhteensopivuudesta
- 8. toukokuuta 2000 annettu laitemeludirektiivi  
**2000/14/EY**.

Melupäästöjä koskevat tiedot löytyvät luvusta Tekniset  
tiedot.

Seuraavia standardeja on sovellettu:

**IEC 60335-1:2010, IEC 60335-2-77:2002, EN  
60335-1:2012, EN 60335-2-77:2010 EN/IEC  
62233:2008 EN 61000-6-3:2005 EN 61000-6-1:2005**

Yllä luetellut standardit ovat standardien uusimmat  
julkaistut versiot, mikäli muuta ei ole ilmoitettu.

Ilmoitettu tarkastuslaitos: **0404, RISE SMP Svensk  
Maskinprovning AB, Box 7035, SE-750 07 Uppsala** on  
arvioinut vaatimustenmukaisuuden direktiivin  
2000/14/EY liitteen VI mukaisesti ja julkaissut  
sertifikaatin numerolla 01/901/324 (LB 548i), 01/901/323  
(LC 551iV)

Huskvarna, 2020-01-20



Claes Losdal, kehityspäällikkö/puutarhatuotteet  
(Husqvarna AB:n valtuutettu ja teknisestä  
dokumentaatiosta vastaava edustaja)

---

## Sommaire

---

Introduction.....	195	Dépannage.....	211
Sécurité.....	197	Transport, entreposage et mise au rebut.....	212
Montage.....	205	Caractéristiques techniques.....	213
Utilisation.....	206	Déclaration de conformité CE.....	216
Entretien.....	209		

---

## Introduction

---

### Description du produit

Le produit est une tondeuse rotative à pousser. Le modèle LB 548i utilise BioClip pour transformer l'herbe coupée en engrais.

Le modèle LC 551iV recueille l'herbe dans un collecteur d'herbe. Retirez le collecteur d'herbe pour permettre

l'éjection arrière de l'herbe. Fixez un kit de mulching (accessoire) pour broyer l'herbe et la transformer en engrais.

### Utilisation prévue

Utilisez le produit pour couper l'herbe dans des jardins privés. N'utilisez pas ce produit pour d'autres travaux.

### Aperçu du produit

(Fig. 1)

1. Panneau de commande
2. Poignée de frein moteur
3. Antidémarrage
4. Collecteur d'herbe (LC 551iV)
5. Capot arrière (LC 551iV)
6. Clé de sécurité
7. Bouton de guidon (LC 551iV)
8. Levier de réglage de guidon (LB 548i)
9. Capot de la batterie
10. Commande de réglage de la hauteur de coupe (LC 551iV)
11. Bouton MARCHE/ARRÊT
12. Bouton SavE
13. Indicateur SavE
14. Indicateur de batterie
15. Témoin de niveau de la vitesse
16. Bouton de décrémentation de la vitesse
17. Bouton d'incréméntation de la vitesse
18. LED d'erreur
19. Capot de coupe
20. Prises d'air
21. Plaque d'identification
22. Manette de commande (LC 551iV)
23. Chargeur de batterie (accessoire)
24. Batterie (accessoire)
25. Batterie multiple (accessoire)
26. Plaque d'adaptation (accessoire)
27. Adaptateur de batterie multiple (accessoire)
28. Manuel de l'opérateur

### Symboles concernant le produit

(Fig. 2)

**AVERTISSEMENT : ce produit peut être dangereux et causer des blessures graves, voire mortelles, à l'opérateur ou à d'autres personnes. Soyez prudent et utilisez le produit correctement.**

(Fig. 3)

**Lisez le manuel d'utilisation et assurez-vous de bien comprendre les instructions avant d'utiliser ce produit.**

(Fig. 4)

**Maintenez les personnes et les animaux à une distance suffisante de la zone de travail.**

(Fig. 5)

**Attention : projections et ricochets.**

- (Fig. 6) **Avertissement :**  
Maintenez les mains et les pieds à distance de la lame en rotation.
- (Fig. 7) **Avertissement :**  
Maintenez les pieds et les mains à distance des pièces en mouvement.
- (Fig. 8) Retirez la clé de sécurité avant d'effectuer des travaux de réparation ou d'entretien.
- (Fig. 9) **Marquage environnemental.** Le produit ou son emballage ne font pas partie des ordures ménagères. Déposez-le dans une déchetterie agréée pour équipements électriques et électroniques.
- (Fig. 10) Le produit est conforme aux directives CE en vigueur.
- (Fig. 11) Le produit est conforme aux directives de l'Union douanière eurasiatique en vigueur.
- (Fig. 12) Le produit est conforme aux directives UkrSEPRO en vigueur.
- (Fig. 13) Le produit est conforme aux directives RCM en vigueur. S'applique à

## **l'Australie/la Nouvelle-Zélande uniquement**

- (Fig. 14) Émissions sonores dans l'environnement conformes aux directives CE en vigueur. Les émissions sonores de ce produit sont spécifiées dans la section *Caractéristiques techniques à la page 213* et sur l'autocollant.

## **IPX4** Protection contre les éclaboussures d'eau. **IPX4**

- (Fig. 19) Procédure de démarrage : appuyez sur le bouton **MARCHE/ARRÊT**, desserrez l'anti-démarrage, poussez la poignée de frein moteur vers le bas.

- (Fig. 15) Relâchez la poignée de frein moteur pour arrêter.

- (Fig. 16) Lent

- (Fig. 17) Rapide

- (Fig. 18) Code optiquement lisible

---

**Remarque:** Les autres symboles/autocollants présents sur le produit concernent des exigences de certification spécifiques à certains marchés.

---

## **Étiquette sur le produit**

- (Fig. 20)

Maintenez les mains et les pieds à distance des lames en rotation.

## **Responsabilité**

Conformément à la loi sur la responsabilité du fait des produits, nous déclinons toute responsabilité pour tout dommage causé par notre produit si :

- le produit n'est pas correctement réparé ;



- le produit est réparé avec des pièces qui ne proviennent pas du fabricant ou qui ne sont pas homologuées par le fabricant ;
- le produit est équipé d'un accessoire qui ne provient pas du fabricant ou qui n'est pas homologué par le fabricant ;
- le produit n'est pas réparé par un centre d'entretien agréé ou par une autorité homologuée.

---

## Sécurité

---

### Définitions de sécurité

Des avertissements, des recommandations et des remarques sont utilisés pour souligner des parties spécialement importantes du manuel.



---

#### **AVERTISSEMENT:**

Symbole utilisé en cas de risque de blessures ou de mort pour l'opérateur ou les personnes à proximité si les instructions du manuel ne sont pas respectées.



---

**REMARQUE:** Symbole utilisé en cas de risque de dommages pour le produit, d'autres matériaux ou les environs si les instructions du manuel ne sont pas respectées.

---

**Remarque:** Symbole utilisé pour donner des informations

supplémentaires pour une situation donnée.

---

### Instructions générales de sécurité

---



#### **AVERTISSEMENT:**

Lisez les instructions qui suivent avant d'utiliser le produit.

---

- Ce produit est dangereux s'il est utilisé de manière incorrecte ou imprudente. Des blessures graves ou mortelles peuvent se produire si vous ne respectez pas les instructions de sécurité.
- Ce produit génère un champ électromagnétique durant son fonctionnement. Ce champ peut dans certaines circonstances perturber le fonctionnement d'implants médicaux actifs ou passifs. Pour réduire le risque de blessures graves ou mortelles, les personnes portant des implants médicaux doivent consulter leur médecin et le

fabricant de leur implant avant d'utiliser ce produit.

- Soyez toujours prudent et utilisez votre bon sens. Si vous ne savez pas comment faire fonctionner le produit dans une situation particulière, ne l'utilisez pas et contactez votre Husqvarna revendeur avant de poursuivre.
- N'oubliez pas que l'opérateur sera tenu responsable des accidents occasionnés à des tiers et à leurs biens.
- Maintenez le produit propre. Assurez-vous que vous pouvez lire clairement les avertissements et les autocollants.
- N'autorisez jamais des enfants ou des personnes qui ne sont pas familiarisées avec ces instructions à se servir de cet appareil. Les réglementations nationales peuvent limiter l'âge de l'utilisateur
- Surveillez constamment les personnes aux capacités physiques ou mentales réduites qui utilisent ce produit. Un adulte responsable doit être présent à tout moment.
- N'utilisez jamais l'appareil si vous êtes fatigué ou malade, ou si vous êtes sous l'emprise

d'alcool, de drogues ou de médicaments. Cela a un effet négatif sur votre vision, votre vigilance, votre coordination et votre jugement.

- N'utilisez pas le produit si celui-ci est défectueux.
- Ne modifiez jamais le produit et ne l'utilisez jamais s'il est susceptible d'avoir été modifié par un tiers.

## Sécurité dans l'espace de travail

---



### AVERTISSEMENT:

Lisez les instructions qui suivent avant d'utiliser le produit.

---

- Retirez les objets tels que les branches, les brindilles et les pierres de la zone de travail avant d'utiliser le produit.
- Les objets heurtant l'équipement de coupe peuvent être éjectés et causer des blessures ou des dégâts matériels. Maintenez les personnes aux alentours et les animaux à une distance suffisante du produit.
- N'utilisez jamais le produit par mauvais temps, par exemple en cas de brouillard, de pluie, de vent violent, de froid intense et de risque d'éclair.

Utiliser le produit par mauvais temps ou dans des environnements humides est fatigant. Le mauvais temps peut rendre les conditions de travail dangereuses : des surfaces peuvent par exemple devenir glissantes.

- Identifiez les éventuels personnes, objets et situations susceptibles de nuire à la sécurité du fonctionnement du produit.
- Soyez attentif aux obstacles tels que les racines, les pierres, les brindilles, les fosses et les fossés. L'herbe haute peut cacher des obstacles.
- Il peut être dangereux de couper l'herbe sur des terrains en pente. N'utilisez pas la tondeuse sur des pentes très raides. N'utilisez pas le produit sur un sol dont la pente est supérieure à 15°.
- Faites très attention lorsque vous changez de direction sur des surfaces en pente. Faites fonctionner le produit en travers de la courbe de la pente, jamais de haut en bas.
- Soyez prudent lorsque vous vous approchez de coins cachés et d'objets qui

empêchent d'avoir une vue dégagée.

## Sécurité du travail

---



### AVERTISSEMENT:

Lisez les instructions qui suivent avant d'utiliser le produit.

---

- Utilisez le produit uniquement pour couper les pelouses. Il est interdit d'utiliser le produit pour d'autres travaux.
- Utilisez un équipement de protection personnelle. Reportez-vous à la section *Équipement de protection individuelle à la page 201*.
- Assurez-vous de savoir comment couper le moteur rapidement en cas d'urgence.
- Le produit ne doit pas être exposé à la pluie ou à l'humidité. Le risque de choc électrique augmente si de l'eau pénètre dans le produit.
- Faites fonctionner le produit uniquement si la lame et tous les couvercles sont fixés correctement. Une lame fixée de manière inadéquate risque de se détacher et de causer des blessures personnelles.
- Assurez-vous que la lame ne touche pas des objets tels que des pierres et des racines.

Cela peut endommager la lame et tordre l'arbre du moteur. Un arbre tordu génère de fortes vibrations, il y a alors un risque important que la lame se détache.

- Arrêtez immédiatement le produit s'il vibre ou bute sur un objet. Arrêtez le moteur, tirez la clé de sécurité vers le haut et retirez la batterie. Vérifiez que le produit n'est pas endommagé. Réparez les éventuels dommages ou demandez à un atelier spécialisé agréé procéder aux réparations.
- N'attachez jamais la poignée de frein moteur en permanence à la poignée de commande quand le moteur est mis en marche.
- Placez le produit sur une surface stable et plane, puis lancez-le. Vérifiez que la lame ne touche pas le sol ou tout autre objet.
- Restez toujours derrière le produit lorsque vous l'utilisez.
- Faites reposer toutes les roues sur le sol et conservez vos deux mains sur la poignée lorsque vous faites fonctionner le produit. Maintenez les mains et les pieds à distance des lames en rotation.
- N'inclinez pas le produit quand le moteur est mis en marche.
- Soyez prudent lorsque vous tirez le produit vers l'avant.
- Ne soulevez jamais le produit quand le moteur est mis en marche. Si vous devez soulever le produit, arrêtez d'abord le moteur, tournez la clé de sécurité vers le haut et retirez la batterie.
- Ne marchez pas vers l'arrière lorsque vous utilisez le produit.
- Arrêtez le moteur lorsque vous vous déplacez à travers des zones exemptes d'herbe, par exemple des chemins de gravier, de pierre ou d'asphalte.
- Ne courez pas lorsque vous utilisez le produit et que le moteur est mis en marche. Vous devez toujours marcher lorsque vous utilisez le produit.
- Arrêtez le moteur avant de modifier la hauteur de coupe. N'effectuez jamais de réglages pendant que le moteur tourne.
- Ne quittez jamais le produit des yeux pendant que le moteur tourne. Arrêtez le moteur et assurez-vous que l'équipement de coupe ne tourne pas.

Consignes de sécurité pour le fonctionnement

## Équipement de protection individuelle



### AVERTISSEMENT:

Lisez les instructions qui suivent avant d'utiliser le produit.

- L'équipement de protection individuel ne protège pas complètement des blessures, mais il diminue la gravité des blessures en cas d'accident. Faites appel à votre revendeur pour vous aider à sélectionner l'équipement adéquat.
- Portez des bottes ou chaussures antidérapantes à usage intensif. Ne portez pas de chaussures ouvertes et ne soyez pas pieds nus lorsque vous utilisez le produit.
- Utilisez des pantalons longs et épais.
- Portez des gants de protection en cas de besoin, par exemple lorsque vous fixez, examinez ou nettoyez l'équipement de coupe.

## Dispositifs de sécurité sur le produit



### AVERTISSEMENT:

Lisez les instructions qui

suivent avant d'utiliser le produit.

- N'utilisez pas un produit avec des dispositifs de sécurité défectueux.
- Contrôlez les dispositifs de sécurité régulièrement. Si les dispositifs de sécurité sont défectueux, parlez-en à votre agent d'entretien Husqvarna.

## Pour contrôler le capot de coupe

Le capot de coupe réduit les vibrations dans le produit et réduit le risque de blessures provoquées par la lame.

- Examinez le capot de coupe pour vous assurer qu'il ne présente pas de dommages tels que des fissures.

## Clé de sécurité

La clé de sécurité se trouve sous le couvercle de la batterie. La clé de sécurité est reliée à la batterie qui alimente le moteur.

## Pour contrôler la clé de sécurité

La clé de sécurité est reliée à la batterie qui alimente le moteur.

- Démarrez et arrêtez le moteur. Si la clé de sécurité fonctionne correctement, le

moteur démarre seulement lorsque la clé de sécurité se trouve dans le verrou de sécurité.

### Poignée de frein moteur

La poignée de frein moteur arrête le moteur. Lorsque la poignée de frein moteur est relâchée, le moteur s'arrête.

Pour inspecter le frein moteur, démarrez le moteur, puis relâchez la poignée de frein moteur. Si le moteur ne s'arrête pas au bout de 3 secondes, demandez à un atelier Husqvarna spécialisé agréé de régler le frein moteur.

(Fig. 21)

### Pour contrôler l'antidémarrage

Contrôlez l'antidémarrage afin de vous assurer qu'il empêche le fonctionnement du moteur.

1. Poussez la poignée de frein moteur en direction du guidon. L'antidémarrage arrête le mouvement.
2. Poussez l'antidémarrage. (Fig. 22)
3. Relâchez l'antidémarrage et assurez-vous qu'il revient dans sa position initiale.

## Consignes de sécurité relatives à l'utilisation de la batterie



**AVERTISSEMENT:** lisez les instructions qui suivent avant d'utiliser le produit.

- Utilisez des batteries rechargeables Husqvarna pour alimenter les produits Husqvarna uniquement. Afin d'éviter toute blessure, n'utilisez pas la batterie comme source d'alimentation pour d'autres produits.
- N'utilisez pas de batteries non rechargeables.
- Risque de choc électrique. Ne branchez pas les bornes de la batterie à des clés, des pièces de monnaie, des vis ou tout autre élément métallique. Cela peut provoquer un court-circuit de la batterie.
- Ne placez pas d'objets dans les fentes d'aération de la batterie.
- Protégez la batterie des rayons directs du soleil, de la chaleur et des flammes nues. La batterie peut exploser et provoquer des brûlures et/ou des brûlures chimiques.
- Protégez la batterie de la pluie et de l'humidité.

- Protégez la batterie des micro-ondes et des hautes pressions.
- N'essayez pas de démonter ou de casser la batterie.
- En cas de fuite de la batterie, ne laissez pas le liquide entrer en contact avec votre peau ou vos yeux. Si vous avez touché le liquide, nettoyez la zone avec beaucoup d'eau claire et contactez un médecin.
- Utilisez la batterie à une température comprise entre -10 °C et 40 °C.
- Ne nettoyez pas la batterie ou le chargeur de batterie avec de l'eau. Consultez la section *Pour nettoyer la batterie et le chargeur de batterie à la page 210.*
- N'utilisez pas de batterie défectueuse ou endommagée.
- Conservez les batteries en stock à distance des objets métalliques, tels que clous, pièces de monnaie ou bijoux.
- Utilisez uniquement des chargeurs de batterie QC Husqvarna pour charger les batteries de remplacement.
- Risque de choc électrique ou de court-circuit. Ne placez pas d'objets dans les fentes d'aération du chargeur. N'essayez pas de démonter le chargeur de batterie. Ne raccordez pas les bornes du chargeur à des objets métalliques. Utilisez une prise secteur agréée.
- Ce produit génère un champ électromagnétique durant son fonctionnement. Ce champ peut dans certaines circonstances perturber le fonctionnement d'implants médicaux actifs ou passifs. Pour réduire le risque de blessures graves ou mortelles, les personnes portant des implants médicaux doivent consulter leur médecin et le fabricant de leur implant avant d'utiliser cet appareil.

### Consignes de sécurité relatives au chargeur de batterie



**AVERTISSEMENT:** lisez les instructions qui suivent avant d'utiliser le produit.

- Assurez-vous régulièrement que le cordon d'alimentation du chargeur de batterie n'est pas endommagé et qu'il ne présente aucune fissure.
- Ne soulevez pas le chargeur de batterie par le cordon d'alimentation. Pour débrancher le chargeur de

- batterie d'une prise d'alimentation secteur, tirez sur la fiche. Ne tirez pas le cordon d'alimentation.
- Conservez le cordon d'alimentation et les rallonges à l'abri de l'eau, de l'huile et des bords tranchants. Veillez à ce que le câble ne soit pas coincé dans des portes, des clôtures ou tout autre équipement similaire. Le chargeur pourrait être mis sous tension.
  - Ne nettoyez pas le chargeur de batterie avec de l'eau.
  - Le chargeur de batterie peut être utilisé par des enfants âgés de 8 ans et plus et des personnes ayant des handicaps physiques, sensoriels ou mentaux ou manquant d'expérience et de connaissances à condition qu'ils aient reçu la surveillance ou les instructions appropriées concernant l'utilisation du chargeur de batterie en toute sécurité et qu'ils aient bien compris les risques encourus. Les enfants ne doivent pas jouer avec le chargeur de batterie. Le nettoyage et les opérations d'entretien à effectuer par l'utilisateur ne doivent pas être réalisés par des enfants sans surveillance.

- Ne chargez pas de batterie non rechargeable dans le chargeur de batterie.
- N'utilisez pas le chargeur de batterie à proximité de matériaux inflammables ou de matériaux pouvant provoquer la formation de corrosion. Ne recouvrez pas le chargeur de batterie. En cas de dégagement de fumée ou de début d'incendie, débranchez aussitôt la fiche reliée au chargeur de batterie.
- N'utilisez pas de chargeur de batterie défectueux ou endommagé.
- Rechargez la batterie uniquement en intérieur, dans un endroit bien aéré et à l'abri de la lumière. Ne rechargez pas la batterie dans des conditions humides.

## Consignes de sécurité pour l'entretien



### **AVERTISSEMENT:**

Lisez les instructions qui suivent avant d'utiliser le produit.

---

- Retirez la clé de sécurité avant de procéder à l'entretien du produit.
- Effectuez l'entretien correctement afin de prolonger



la durée de vie du produit et de réduire les risques d'accident. Faites réaliser les réparations professionnelles par un agent d'entretien agréé. Contactez votre agent d'entretien le plus proche pour plus d'informations.

- Effectuez uniquement les tâches d'entretien décrites dans le présent manuel d'utilisation.
  - Portez des gants de protection robustes lorsque vous manipulez l'équipement de coupe. La lame est très tranchante et des coupures peuvent survenir facilement.
  - Maintenez les bords tranchants aiguisés et propres pour obtenir des performances optimales et sûres.
  - Laissez à l'agent d'entretien le soin de contrôler régulièrement le produit et d'effectuer les réglages et les réparations nécessaires.
- Remplacez les pièces endommagées, usées ou cassées.
  - Respectez les instructions relatives au remplacement des accessoires. Utilisez uniquement des accessoires obtenus auprès du fabricant.
  - Lorsqu'ils ne sont pas utilisés, conservez le produit avec la batterie et le chargeur de batterie à part dans un endroit sec, en intérieur et verrouillé. Veillez à ce que les enfants et les personnes non autorisées ne puissent avoir accès au produit, à la batterie ou au chargeur de batterie.

---

## Montage

---

### Introduction



**AVERTISSEMENT:** Assurez-vous de lire et de comprendre le chapitre dédié à la sécurité avant de monter l'appareil.

### Pour installer et retirer la batterie multiple (accessoire)

1. Retirez les 4 couvercles en caoutchouc et les 4 vis du capot du moteur. (Fig. 23)
2. Placez la plaque d'adaptation sur le capot du moteur.
3. Fixez la plaque d'adaptation à l'aide des 4 vis fournies à un couple de 5-6 Nm. (Fig. 24)
4. Ouvrez la trappe de la batterie.
5. Retirez la batterie de l'emplacement 1. (Fig. 25)
6. Retirez la butée de joint. (Fig. 26)
7. Poussez l'adaptateur de batterie dans son compartiment jusqu'à ce que vous entendiez un dé clic. (Fig. 27)
8. Placez le cordon de l'adaptateur de batterie dans l'orifice de butée du joint. Fixez la corde avec le clip. (Fig. 28)
9. Installez la batterie multiple sur l'adaptateur de batterie.
10. Connectez la batterie multiple dans l'adaptateur de batterie. (Fig. 29)
11. Fixez le cordon d'adaptateur de batterie au guidon à l'aide des 3 sangles en tissu. (Fig. 30)

- Retirez la batterie multiple en procédant dans l'ordre inverse.



**AVERTISSEMENT:** ne fixez pas le cordon de manière trop lâche au guidon. Le cordon d'alimentation peut sortir du guidon et provoquer des blessures.

## Pour monter la poignée (LC 551iV)

- Desserrez les boutons inférieurs.
- Faites glisser les boutons jusqu'aux extrémités inférieures des rainures sur le côté gauche et le côté droit de la machine. (Fig. 31)
- Réglez la hauteur de la poignée selon l'une des deux positions disponibles.
- Déplacez les boutons vers le haut, en direction de la poignée, jusqu'à ce qu'ils s'arrêtent et qu'un clic se fasse entendre. (Fig. 32)
- Serrez fermement les boutons.

## Pour monter la poignée (LB 548i)

- Retirez l'écrou de poignée et la rondelle de la plaque sur la poignée supérieure.
- Placez la poignée supérieure en position sur le dessus de la poignée inférieure.



**REMARQUE:** Assurez-vous que les fils ne sont pas coincés ou endommagés.

- Fixez la rondelle et le levier de réglage du guidon. (Fig. 33)

- Tournez la poignée sur le côté pour une bonne position de fonctionnement lorsque vous utilisez le produit près d'un mur. (Fig. 34)

## Pour monter le collecteur d'herbe (LC 551iV)

- Fixez le châssis du collecteur d'herbe au sac à herbe, la partie rigide du sac étant sur la partie inférieure. Maintenez la poignée du châssis sur le dessus du sac à herbe. (Fig. 35)
- Fixez la partie inférieure du châssis du collecteur d'herbe dans la rainure au bas du collecteur d'herbe.
- Fixez le sac à herbe au châssis du collecteur d'herbe à l'aide des clips. (Fig. 36)
- Soulevez le capot arrière.
- Attachez le collecteur d'herbe au bord supérieur du châssis.
- Placez la partie inférieure du collecteur d'herbe dans le canal d'éjection de l'herbe. (Fig. 37)

## Pour assembler l'obturateur du broyeur (accessoire LC 551iV)

- Relevez le capot arrière et retirez le collecteur d'herbe.
- Placez l'obturateur du broyeur dans le canal d'éjection. (Fig. 38)
- Remplacez la lame par la lame de broyeur fournie dans le kit de broyage. Reportez-vous à la section *Pour remplacer la lame à la page 210.*

# Utilisation

## Introduction



**AVERTISSEMENT:** Avant d'utiliser le produit, vous devez lire et comprendre le chapitre sur la sécurité.

## Husqvarna Connect

Husqvarna Connect est une application gratuite pour votre appareil mobile. L'application Husqvarna Connect offre des fonctions étendues à votre produit Husqvarna :

- Informations produit détaillées.
- Informations et aide sur les pièces et l'entretien du produit.

## Pour commencer à utiliser Husqvarna Connect

- Téléchargez l'application Husqvarna Connect sur votre appareil mobile.
- Enregistrez-vous sur l'application Husqvarna Connect.

- Suivez les instructions de l'application Husqvarna Connect pour vous connecter et enregistrer le produit.

## Husqvarna Fleet Services™

Husqvarna Fleet Services™ est une solution cloud qui permet au gestionnaire du parc commercial d'avoir un aperçu de tous les produits. Husqvarna Fleet Services™ est inclus pour le LC 551iV. Pour plus d'informations sur Husqvarna Fleet Services™, consultez le site [www.husqvarna.com](http://www.husqvarna.com).

## Pour préparer le capteur (accessoire)

- Utilisez la clé du capteur pour ouvrir le couvercle du capteur. (Fig. 39)
- Retirez le capteur.
- Connectez la batterie au capteur. La LED du capteur s'allume. (Fig. 40)
- Téléchargez l'application Husqvarna Fleet Services™.

- Connectez-vous à l'application Husqvarna Fleet Services™.
- Effectuez une opération d'appairage. Reportez-vous à la section *Pour effectuer une opération d'appairage entre l'application et le produit à la page 207*

### Pour effectuer une opération d'appairage entre l'application et le produit

- Connectez-vous à l'application Husqvarna Fleet Services™.
- Sélectionnez votre produit dans l'application.
- Scannez le code situé derrière le capteur avec votre appareil mobile pour installer le capteur dans l'application.

**Remarque:** L'opération d'appairage entre l'application et le produit ne doit être effectuée qu'une seule fois.

### Pour installer le capteur

- Assurez-vous que le capteur est connecté à l'application Husqvarna Fleet Services™. Reportez-vous à la section *Pour effectuer une opération d'appairage entre l'application et le produit à la page 207*.
- Pratiquez 2 trous à côté des marques dans la fente du boîtier. (Fig. 41)

**Remarque:** Assurez-vous que les dimensions des orifices sont identiques à celles des rivets fournis avec le capteur.

- À l'aide d'une pince, retirez les orifices extérieurs de la fente du capteur. (Fig. 42)
- Pratiquez 2 trous à côté des marques dans la fente du capteur. (Fig. 43)
- Alignez la fente du capteur sur la fente du boîtier. (Fig. 44)
- Fixez la fente du capteur avec les rivets.
- Installez le capteur dans la fente du capteur. Alignez la marque blanche du capteur sur la marque de la fente du capteur. (Fig. 45)
- Fermez le couvercle du capteur et verrouillez-le à l'aide de la clé du capteur. Assurez-vous que la partie supérieure des points « H » Husqvarna est écartée de la clé de sécurité. (Fig. 46)

### Pour régler le produit en position de fonctionnement (LC 551iV)

- Levez le guidon en position verticale. (Fig. 47)
- Déplacez les boutons vers le haut, en direction de la poignée, jusqu'à ce qu'ils s'arrêtent et qu'un clic se fasse entendre. (Fig. 32)
- Serrez fermement les boutons.

### Pour régler la hauteur de coupe

La hauteur de coupe peut être réglée sur 6 niveaux.

- Poussez la commande de réglage de la hauteur de coupe en direction de la roue, puis vers l'arrière pour augmenter la hauteur de coupe.
- Poussez la commande de réglage de la hauteur de coupe en direction de la roue, puis vers l'avant pour diminuer la hauteur de coupe. (Fig. 48)



**REMARQUE:** La hauteur de coupe ne doit pas être réglée trop bas. Les lames peuvent toucher le sol si la surface de la pelouse n'est pas plane.

### Batterie



**AVERTISSEMENT:** Avant d'utiliser la batterie, vous devez lire et comprendre le chapitre sur la sécurité. Vous devez également lire et comprendre le manuel d'utilisation de la batterie et du chargeur de batterie.

### État de la batterie

L'écran indique la capacité restante de la batterie ainsi que tout problème éventuel lié à la batterie. La capacité de la batterie s'affiche pendant 5 secondes après l'arrêt du produit ou l'enfoncement du bouton d'indicateur de batterie. Le symbole d'avertissement sur la batterie s'allume en cas d'erreur. Consultez la section *Batterie à la page 211*.

(Fig. 49)

Voyants DEL	État de la batterie
Toutes les DEL sont allumées	Batterie complètement chargée (75-100 %)
Les DEL 1, DEL 2 et DEL 3 sont allumées	La batterie est chargée à 50 %-75 %
Les DEL 1 et DEL 2 sont allumées	La batterie est chargée à 25 %-50 %
La DEL 1 est allumée	La batterie est chargée à 0 %-25 %.
La DEL 1 clignote	La batterie est vide. Rechargez la batterie.

### Pour charger la batterie

Chargez la batterie avant la première utilisation. La batterie n'est chargée qu'à 30 % au moment de sa livraison au client.

**Remarque:** Le chargeur de batterie doit être raccordé à la tension et à la fréquence indiquées sur la plaque signalétique.

La batterie ne se charge pas si la température de la batterie est supérieure à 50 °C. Le chargeur de batterie diminue la température de la batterie avant le début de la charge.

1. Branchez une extrémité du cordon d'alimentation du chargeur de batterie dans la prise du chargeur de batterie.
2. Branchez l'autre extrémité du cordon d'alimentation du chargeur de batterie dans une prise secteur mise à la masse. La DEL sur le chargeur de batterie clignote une fois en vert. (Fig. 50)
3. Placez la batterie dans le chargeur de batterie. Le témoin vert du chargeur s'allume lorsque la batterie est correctement branchée au chargeur de batterie. (Fig. 51)
4. La batterie est totalement rechargée quand toutes les DEL sur la batterie sont allumées. Chargez la batterie pendant 24 heures au maximum.
5. Pour débrancher le chargeur de batterie de la prise secteur, tirez sur la fiche et non sur le cordon d'alimentation.
6. Dégagez la batterie du chargeur de batterie.

### Niveau de charge de la batterie

Une batterie au lithium-ion Husqvarna peut être chargée ou utilisée à tous les niveaux de charge. Vous n'endommagerez pas la batterie. Une batterie pleine ne perdra pas sa charge même si elle est laissée dans le chargeur.

Affichage à DEL	État de charge
La DEL 1 clignote	0 %-25 %
La DEL 1 est allumée, la DEL 2 clignote	25 %-50 %
Les DEL 1 et 2 sont allumées, la DEL 3 clignote	50 %-75 %
Les DEL 1, 2 et 3 sont allumées, la DEL 4 clignote	75 %-100 %
Les DEL 1, 2, 3 et 4 sont allumées	Batterie complètement chargée

### Pour recharger la batterie multiple

**Remarque:** Chargez la batterie si vous l'utilisez pour la première fois. Une batterie neuve n'est chargée qu'à 30 %.

1. Assurez-vous que la batterie est sèche.
2. Connectez la batterie à l'adaptateur. (Fig. 52)
3. Placez l'adaptateur dans le chargeur de batterie.
4. Assurez-vous que la LED de charge verte du chargeur de batterie s'allume. Cela signifie que l'adaptateur et la batterie multiple sont correctement connectés. (Fig. 53)

5. La batterie est totalement rechargée lorsque toutes les LED sur la batterie sont allumées et que l'adaptateur indique 100 %. (Fig. 54)

L'adaptateur indique l'état de charge par incréments de 1 %. De petits écarts sont possibles au début de la charge.

6. Pour débrancher le chargeur de batterie de la prise d'alimentation secteur, tirez sur la fiche. Ne tirez pas sur le câble.
7. Retirez l'adaptateur du chargeur de batterie.
8. Retirez la batterie multiple de l'adaptateur.

**Remarque:** reportez-vous aux manuels de la batterie multiple et du chargeur de batterie pour plus d'informations.

### Pour démarrer le produit

1. Soulevez le couvercle de la batterie.
2. Placez une batterie chargée dans l'emplacement de batterie de batterie numéro 1, sous le couvercle de la batterie. Pour une durée de fonctionnement accrue, placez une deuxième batterie chargée dans l'emplacement de batterie numéro 2.
3. Déconnectez la clé de sécurité du support de clé de sécurité.
4. Poussez la clé de sécurité dans le verrou de sécurité. (Fig. 55)
5. Restez derrière le produit.
6. Appuyez sur le bouton ON/OFF situé sur le panneau de commande. L'écran s'allume.
7. Relâchez l'antidémarrage. (Fig. 22)
8. Poussez la poignée de frein moteur en direction du guidon. (Fig. 56)

### Pour appliquer l'entraînement aux roues (LC 551iV)

- Tirez la manette de commande vers la poignée afin d'actionner l'entraînement. (Fig. 57)
- Appuyez sur + et - sur le panneau de commande pour régler la vitesse d'entraînement en 4 étapes. (Fig. 58)
- Relâchez la manette de commande pour désengager l'entraînement, lorsque vous vous rendez à proximité d'un obstacle par exemple.

### Pour utiliser la fonction SavE

Le produit est équipé d'une fonction d'économie de la batterie (SavE) qui garantit une durée de fonctionnement prolongée.

1. Appuyez sur le bouton SavE (A) pour lancer la fonction. Le symbole SavE (B) à l'écran s'allume.
2. Appuyez à nouveau sur le bouton SavE pour arrêter cette fonction. Le symbole SavE (B) à l'écran s'éteint. (Fig. 59)

La fonction SavE se coupe automatiquement lorsque les conditions de terrain nécessitent une puissance plus élevée. La fonction SavE se relance automatiquement lorsque les conditions de terrain le permettent.

## Fonction PowerBoost

Lorsque le produit coupe de l'herbe haute ou humide, le régime moteur augmente automatiquement. Pour économiser la batterie, le moteur revient automatiquement en mode standard lorsque la fonction PowerBoost n'est pas requise.

## Pour arrêter le produit

Le produit s'arrête automatiquement s'il ne fonctionne pas pendant 3 minutes.

1. Relâchez la poignée de frein moteur pour arrêter le moteur. (Fig. 21)
2. Appuyez sur le bouton ON/OFF situé sur le panneau de commande. Tous les symboles et voyants LED à l'écran s'éteignent. (Fig. 60)
3. Retirez la clé de sécurité du verrou de sécurité et placez-la dans le support de la clé de sécurité.

## Obtenir de bons résultats

- Utilisez toujours une lame correctement affûtée. Une lame émoussée produit un résultat irrégulier et

l'herbe jaunira à la surface de la coupe. De plus, une lame affûtée consomme moins d'énergie qu'une lame émoussée.

- Ne coupez pas plus d'un tiers de la longueur de l'herbe. Coupez d'abord avec une hauteur de coupe élevée. Examinez le résultat et abaissez la hauteur de coupe à un niveau convenable. Si l'herbe est très longue, tondez lentement, et deux fois si nécessaire.
- Tondez toujours dans différentes directions afin d'éviter de faire des lignes dans la pelouse.

## Pour couper l'herbe sans collecteur d'herbe ou obturateur du broyeur fixé (LC 551iV)

1. Relevez le capot arrière et retirez le collecteur d'herbe.
2. Si un obturateur et une lame de broyeur sont montés, déposez-les.
3. Fermez le couvercle arrière avant d'utiliser le produit.

Lorsque vous faites fonctionner le produit, l'herbe coupée est évacuée sous le couvercle arrière.

## Entretien

### Introduction



**AVERTISSEMENT:** Avant d'effectuer des travaux d'entretien, vous devez lire et comprendre le chapitre sur la sécurité.

Une formation spécifique est nécessaire pour effectuer tous les travaux d'entretien et de réparation du produit. Nous garantissons qu'il vous est possible d'obtenir des services de réparation et d'entretien effectués par des professionnels. Si votre concessionnaire n'est pas un

atelier spécialisé, demandez-lui des informations à propos de l'atelier spécialisé le plus proche.

### Calendrier de maintenance

Les intervalles d'entretien sont calculés selon une utilisation quotidienne du produit. Les intervalles sont différents si le produit n'est pas utilisé tous les jours.

Pour l'entretien marqué d'un \*, reportez-vous à *Consignes de sécurité pour le fonctionnement à la page 201.*

	Toutes utilisations	Une fois par mois	À chaque saison
Faites une inspection générale	X		
Nettoyez les capots de transmission. Assurez-vous que le moteur ne contient pas d'herbe.	X		
Contrôlez l'antidémarrage *	X		
Assurez-vous que les dispositifs de sécurité sur le produit ne sont pas défectueux *	X		
Contrôlez le collecteur d'herbe pour détecter tout signe d'usure ou de détérioration.	X		
Inspectez l'équipement de coupe	X		

	Toutes utilisations	Une fois par mois	À chaque saison
Inspectez le capot de coupe *	X		
Contrôlez la poignée du frein moteur *	X		
Assurez-vous que le bouton ON/OFF fonctionne correctement et n'est pas défectueux	X		
Examinez la batterie afin de détecter d'éventuels dommages	X		
Contrôlez le niveau de charge de la batterie	X		
Vérifiez que les cliquets de déverrouillage de la batterie fonctionnent correctement et fixent la batterie dans le produit	X		
Nettoyez les prises d'air. Assurez-vous que les prises d'air ne contiennent pas d'herbe ou de saleté.	X		
Examinez le chargeur de batterie afin de détecter des dommages et assurez-vous qu'il fonctionne correctement.		X	
Examinez les connexions entre la batterie et le produit. Examinez également la connexion entre la batterie et le chargeur de batterie.			X

## Pour faire une inspection générale

- Assurez-vous que les vis et les écrous du produit sont serrés.
- Assurez-vous que les câbles sur le produit ne sont pas dans une position où ils risquent d'être endommagés.

## Pour remplacer la lame

- Bloquez la lame avec un bloc en bois. (Fig. 61)
- Déposez le boulon de lame, la rondelle ressort et la lame. (Fig. 62)
- Examinez le support de lame et le boulon de lame pour voir s'ils sont endommagés.
  - Si vous remplacez la lame ou le support de lame, remplacez également le boulon de lame, la rondelle ressort et la rondelle de friction.
- Examinez l'arbre du moteur pour vous assurer qu'il n'est pas tordu.
- Lorsque vous fixez la nouvelle lame, assurez-vous que son tranchant est orienté en direction du capot de coupe. (Fig. 63)
- Placez la rondelle de friction et la lame contre le support de lame. (Fig. 64)
- Assurez-vous que la lame est alignée sur le centre de l'arbre moteur. (Fig. 65)
- Bloquez la lame avec un bloc en bois. (Fig. 66)
- Fixez la rondelle ressort, puis serrez le boulon à un couple de 65-75 Nm. (Fig. 67)
- Déplacez la lame à la main et vérifiez qu'elle tourne librement.



**AVERTISSEMENT:** Utilisez des gants de protection. La lame est très tranchante et des coupures peuvent survenir facilement.

- Démarez le produit pour tester la lame. Si la lame n'est pas correctement fixée, le produit vibre ou le résultat de coupe n'est pas satisfaisant.

## Pour nettoyer le produit

- Nettoyez les éléments en plastique avec un chiffon sec et propre.
- N'utilisez pas d'eau pour nettoyer le produit. L'eau pourrait pénétrer dans la batterie ou le moteur et provoquer un court-circuit ou endommager le produit.
- N'utilisez pas de nettoyeur haute pression pour le nettoyage du produit.
- Ne jetez pas d'eau directement sur le moteur.
- Utilisez une brosse pour enlever les feuilles, l'herbe et la saleté.

## Pour nettoyer la batterie et le chargeur de batterie



**REMARQUE:** Ne nettoyez pas la batterie ou le chargeur de batterie avec de l'eau.

- Assurez-vous que la batterie et le chargeur de batterie sont propres et secs avant de placer la batterie dans le chargeur de batterie.
- Nettoyez les bornes de la batterie avec de l'air comprimé ou un chiffon sec et doux.

- Nettoyez les surfaces de la batterie et du chargeur de batterie avec un chiffon sec et doux.

lame est très tranchante et des coupures peuvent survenir facilement.

## Pour inspecter l'équipement de coupe



**AVERTISSEMENT:** pour éviter tout démarrage accidentel, tirez la clé de sécurité vers le haut, retirez la batterie et attendez au moins 5 secondes.



**AVERTISSEMENT:** Utilisez des gants de protection lorsque vous procédez à l'entretien de l'équipement de coupe. La

- Inspectez l'équipement de coupe afin de détecter d'éventuels dommages ou fissures. Remplacez toujours un équipement de coupe endommagé.
- Inspectez la lame pour voir si elle est endommagée ou émoussée.

**Remarque:** Il est nécessaire d'équilibrer la lame après l'avoir affûtée. Demandez à un centre d'entretien d'affûter, de remplacer et d'équilibrer la lame. Si vous heurtez un obstacle qui entraîne l'arrêt du produit, remplacez la lame endommagée. Demandez au centre d'entretien d'évaluer si la lame peut être affûtée ou si elle doit être remplacée.

## Dépannage

### Batterie

DEL sur la batterie	Défaillances possibles	Procédure possible
La DEL verte clignote	La tension de la batterie est faible	Rechargez la batterie. Consultez la section <i>Pour charger la batterie à la page 207</i> .
La DEL d'erreur clignote	La batterie est faible	Rechargez la batterie. Consultez la section <i>Batterie à la page 211</i> .
	La température de l'environnement de travail est trop élevée ou trop basse	Utilisez la batterie à une température comprise entre -10 °C et 40 °C.
	Surtension	Vérifiez que la tension secteur est identique à celle indiquée sur la plaque signalétique du produit. Dégagez la batterie du chargeur de batterie. Attendez 5 secondes et essayez à nouveau de charger la batterie. Si le problème persiste, contactez un agent d'entretien agréé.
La DEL d'erreur est allumée	Écart de tension entre cellules trop important (1 V)	Contactez un agent d'entretien agréé.

### Chargeur de batterie

DEL sur le chargeur de batterie	Défaillances possibles	Procédure possible
La DEL d'erreur clignote	La température de l'environnement de travail est trop élevée ou trop basse	Utilisez le chargeur de batterie à une température comprise entre 5 °C et 40 °C.
La DEL d'erreur est allumée		Contactez un agent d'entretien agréé

## Panneau de commande

Code d'erreur (nombre de clignotements)	Défaillances possibles	Procédure possible
1	Le moteur de transmission est trop chaud.	Laissez le produit refroidir. Assurez-vous que la transmission ne contient pas d'herbe. Nettoyez le couvercle de transmission si nécessaire.
5	La vitesse du moteur chute trop et le moteur s'arrête.	Nettoyez l'unité de coupe et augmentez la hauteur de coupe. Reportez-vous à la section <i>Pour régler la hauteur de coupe à la page 207</i> . Si l'erreur persiste, contactez un atelier spécialisé agréé.
8	La batterie est faible.	Rechargez la batterie. Reportez-vous à la section <i>Pour charger la batterie à la page 207</i> .
9	Erreur de batterie ou pas de signal de batterie.	Placez la batterie dans le produit correctement et examinez le connecteur de batterie. Si la LED d'erreur sur la batterie clignote, reportez-vous à <i>Batterie à la page 207</i> .
10	La commande du moteur est trop chaude.	Arrêtez le moteur et attendez qu'il refroidisse.
Autres erreurs	Si d'autres erreurs se produisent, retirez la clé et la batterie, et consultez un atelier spécialisé agréé.	

## Transport, entreposage et mise au rebut

### Introduction



**AVERTISSEMENT:** pour éviter tout démarrage accidentel pendant le transport, tirez la clé de sécurité vers le haut, retirez la batterie et attendez au moins 5 secondes.

### Pour régler le produit en position de transport (LC 551iV)

1. Desserrez les boutons inférieurs.
2. Faites glisser les boutons jusqu'aux extrémités inférieures des rainures sur le côté gauche et le côté droit de la machine. (Fig. 31)
3. Pliez la poignée vers l'avant. (Fig. 68)
4. Retirez le collecteur d'herbe.

### Transport

- La législation sur les marchandises dangereuses s'applique aux batteries au lithium-ion fournies.
- Les exigences spécifiques au transport commercial indiquées sur l'emballage et les étiquettes doivent être respectées.
- Assurez-vous de toujours respecter la législation sur les matières dangereuses lorsque vous préparez le

produit pour le transport. Des réglementations locales peuvent s'appliquer.

- Retirez toujours la batterie lorsque vous déplacez le produit.
- Posez du ruban adhésif sur les connecteurs de batterie et assurez-vous que la batterie ne puisse pas bouger pendant le transport.
- Sécurisez le produit pendant le transport.

### Remisage

- Retirez toujours la batterie lorsque vous entreposez le produit.
- Pour éviter tout accident, assurez-vous que la batterie n'est pas reliée au produit au moment du remisage.
- Conservez le chargeur de batterie dans un endroit sec et fermé.
- Conservez la batterie et le chargeur de batterie dans un endroit sec, à l'abri de l'humidité et du gel.
- Débranchez la batterie du chargeur lors du remisage.
- Ne conservez pas la batterie dans un endroit présentant un risque d'électricité statique. Ne conservez pas la batterie dans une boîte métallique.



- Entrez la batterie dans un endroit où la température est comprise entre 5 °C et 25 °C, à l'abri du soleil.
- Entrez le chargeur de batterie dans un endroit où la température est comprise entre 5 °C et 45°C, à l'abri du soleil.
- Assurez-vous que la batterie est chargée entre 30 % et 50 % avant de la remettre pendant de longues périodes.
- Conservez le produit, la batterie et le chargeur de batterie dans un endroit verrouillé, hors de portée des enfants et des personnes non autorisées.
- Nettoyez le produit et effectuez un entretien complet avant de remettre le produit pendant de longues périodes.

un déchet domestique ordinaire. Il doit être déposé dans un site de recyclage prévu pour la récupération d'équipements électriques et électroniques.

En prenant soin correctement de ce produit, vous contribuez à compenser l'éventuel effet négatif sur l'environnement et les personnes, qui autrement pourrait être engendré par la mauvaise gestion de la mise au rebut du produit. Pour obtenir de plus amples informations sur le recyclage de ce produit, contactez votre municipalité, votre service des ordures ménagères ou le magasin où vous avez acheté ce produit.

(Fig. 69)

## Mise au rebut

Les symboles figurant sur le produit ou l'emballage indiquent que ce produit ne peut pas être traité comme

## Caractéristiques techniques

### Caractéristiques techniques

	LB 548i	LC 551IV
<b>Moteur de coupe</b>		
Type de moteur	BLDC (sans balais) 36 V	BLDC (sans balais) 36 V
Vitesse du moteur - SavE, tr/min*	2 600	2 600
Vitesse du moteur - nominale, tr/min*	3 000	3 000
Vitesse du moteur - charge élevée, tr/min*	3300	3300
Sortie du moteur - max. kW	1,8	1,8
Sortie moteur - nominale, kW	1,5	1,5
<b>Moteur d'entraînement</b>		
Sortie moteur - nominale, kW	ND	0,3
Vitesse de marche, km/h	ND	3,0-5,0
Niveaux de réglage de la vitesse	ND	4
<b>Poids</b>		
Poids sans batterie, kg	31	41
<b>Batterie</b>		
Type de batterie	Gamme de produits à batterie Husqvarna	Gamme de produits à batterie Husqvarna
<b>Durée de fonctionnement de la batterie</b>		
Autonomie de la batterie, min. (fonctionnement libre) avec fonction SavE activée et une batterie Husqvarna de 5,2 Ah (Bli200).	40	30

	LB 548I	LC 551IV
Durée de fonctionnement de la batterie, min. (fonctionnement libre) avec mode standard activé et une batterie Husqvarna de 5,2 Ah (BLi200).	30	20
<b>Émissions sonores</b> <sup>28</sup>		
Niveau de puissance sonore, mesuré dB(A)	93	97
Niveau de puissance acoustique, garanti L <sub>WA</sub> dB(A)	93	97
<b>Niveaux sonores</b> <sup>29</sup>		
Niveau de pression sonore à l'oreille de l'utilisateur, dB (A)	80	84
<b>Niveaux de vibrations</b> <sup>30</sup>		
Poignée, m/s <sup>2</sup>	0,3	0,3
<b>Équipement de coupe</b>		
Hauteur de coupe, en mm	20-75	20-75
Largeur de coupe, cm	48	51
Lame standard	Lame de broyeur 597466510	Lame de collecte 597466310
Lame accessoire	N/A	Lame de broyeur 597466410
Capacité du collecteur d'herbe, l	N/A	65

\* Tours par minute

Batteries agréées	Type	Capacité de la batterie, Ah	Tension, V	Poids, lb/kg
BLi20	Lithium-ion	4,0	36	2,6/1,2
BLi200	Lithium-ion	5,2	36	2,8/1,3
BLi300	Lithium-ion	9,4	36	4,1/1,9
BLi550X	Lithium-ion	15,6	36	12,4/5,6
BLi950X	Lithium-ion	31,1	36	15,4/7,0

Chargeurs agréés pour les batteries spécifiées, BLI	Tension d'entrée, V	Fréquence, Hz	Puissance, W
QC80	100-240	50-60	80
QC80F	12	0	80

<sup>28</sup> émissions sonores dans l'environnement mesurées comme puissance sonore (L<sub>WA</sub>) selon la directive européenne CE 2000/14/CE.

<sup>29</sup> Les données reportées pour le niveau de pression sonore montrent une dispersion statistique typique (déviat-ion standard) de 1,2 dB(A).

<sup>30</sup> Les données reportées pour le niveau de vibrations montrent une dispersion statistique typique (déviat-ion standard) de 0,2 m/s<sup>2</sup>. Norme sur les vibrations EN 60335-2-77:2017 chapitre 20.105

Chargeurs agréés pour les batteries spécifiées, BLi	Tension d'entrée, V	Fréquence, Hz	Puissance, W
QC330	100-240	50-60	330
QC500	100-240	50-60	500

**KEES VAN DER SPEK**  
TUINMACHINES ★ STOLWIJK

---

# Déclaration de conformité CE

---

## Déclaration de conformité CE

Nous, **Husqvarna AB**, SE-561 82 Huskvarna, Suède,  
tél. : +46-36-146500, déclarons que la **tondeuse**  
**Husqvarna LB 548i, LC 551iV** à partir de l'année 2019 et  
au-delà est conforme aux dispositions des DIRECTIVES  
DU CONSEIL :

- du 8 juin 2011 « relative à la limitation de l'utilisation de certaines substances dangereuses » **2011/65/UE**
- du 17 mai 2006 « relative aux machines » **2006/42/CE**
- du 26 février 2014 « relative à la compatibilité électromagnétique » **2014/30/UE**
- du 8 mai 2000 « relative aux émissions sonores dans l'environnement » **2000/14/CE**

Pour toute information relative aux émissions sonores, veuillez consulter les caractéristiques techniques.

Les normes harmonisées suivantes ont été appliquées :

**IEC 60335-1:2010, IEC 60335-2-77:2002, EN 60335-1:2012, EN 60335-2-77:2010 EN/IEC 62233:2008 EN 61000-6-3:2005 EN 61000-6-1:2005**

Sauf mention contraire, les normes listées ci-dessus sont les dernières versions publiées.

L'organisme notifié : **0404, RISE SMP Svensk Maskinprovning AB, Box 7035, SE-750 07 Uppsala** a effectué une évaluation de conformité selon l'annexe VI de la directive 2000/14/CE et délivré un certificat portant le numéro :01/901/324 (LB 548i), 01/901/323 (LC 551iV)

Huskvarna, 2020-01-20



Claes Losdal, Directeur du développement/Articles de jardinage (Représentant autorisé d'Husqvarna AB et responsable de la documentation technique)

---

## Sadržaj

---

Uvod.....	217	Rješavanje problema.....	231
Sigurnost.....	219	Prijevoz, spremanje i zbrinjavanje.....	232
Sastavljanje.....	226	Tehnički podaci.....	233
Rad.....	227	Izjava o sukladnosti EC.....	235
Održavanje.....	229		

---

## Uvod

---

### Opis proizvoda

Ovaj je proizvod rotacijska kosilica za travu kojom upravljate pješač. Model LB 548i ima BioClip za usitnjavanje trave u gnojivo.

Model LC 551iV sakuplja travu u sakupljač trave. Uklonite sakupljač trave kako biste omogućili izbacivanje

trave na stražnjoj strani. Postavite komplet za sječku (dodatna oprema) kako biste travu rezali u gnojivo.

### Namjena

Proizvod upotrebljavajte za rezanje trave u privatnim vrtovima. Proizvod nemojte koristiti za druge zadatke.

### Pregled proizvoda

(Sl. 1)

1. Upravljačka ploča
2. Ručica kočnice motora
3. Blokada pokretanja
4. Sakupljač trave (LC 551iV)
5. Stražnji poklopac (LC 551iV)
6. Sigurnosni ključ
7. Kotačić upravljača (LC 551iV)
8. Poluga za podešavanje ručke (LB 548i)
9. Poklopac baterije
10. Kontrola visine rezanja (LC 551iV)
11. Gumb ON/OFF
12. Gumb SavE
13. Indikator SavE
14. Indikator baterije
15. Indikator razine broja okretaja
16. Gumb za smanjenje brzine
17. Gumb za povećanje brzine
18. LED indikator pogreške
19. Pokrov noža
20. Dovodi zraka
21. Natpisna pločica
22. Poluga pogona (LC 551iV)
23. Punjač baterije (dodatna oprema)
24. Baterija (dodatna oprema)
25. Multi baterija (dodatna oprema)
26. Ploča prilagodnika (dodatna oprema)
27. Prilagodnik za Multi bateriju (dodatna oprema)
28. Priručnik za rukovatelja

### Simboli na proizvodu

- (Sl. 2) **UPOZORENJE: Ovaj proizvod može biti opasan i izazvati teške ozljede ili smrt rukovatelja, odnosno drugih osoba. Budite oprezni i pravilno upotrebljavajte ovaj proizvod.**
- (Sl. 3) **Pažljivo pročitajte korisnički priručnik i dobro usvojite sadržaj uputa prije korištenja proizvoda.**
- (Sl. 4) **Osobe i životinje držite na sigurnoj udaljenosti od radnog područja.**
- (Sl. 5) **Pazite na izbačene predmete i odbijanja.**

- (Sl. 6) **Upozorenje: Ruke i stopala držite podalje od rotirajućeg noža.**
- (Sl. 7) **Upozorenje: Šake i stopala držite podalje od rotirajućih dijelova.**
- (Sl. 8) **Prije izvođenja popravaka ili održavanja skinite sigurnosni kluč.**
- (Sl. 9) **Ekološka oznaka.** Proizvod i njegova ambalaža ne spadaju u kućanski otpad. Reciklirajte ga na odobrenom odlagalištu otpada za električnu i elektroničku opremu.
- (Sl. 10) **Proizvod ispunjava mjerodavne direktive EC.**
- (Sl. 11) **Proizvod ispunjava mjerodavne direktive Euroazijske carinske unije.**
- (Sl. 12) **Proizvod ispunjava mjerodavne direktive UkrSEPRO.**
- (Sl. 13) **Proizvod ispunjava mjerodavne direktive RCM. Odnosi se samo na AU / NZ**
- (Sl. 14) **Emisije buke u okoliš u skladu su s primjenjivim direktivama EZ-a. Emisija buke**

ovog proizvoda navedena je u *Tehnički podaci na stranici 233* te na naljepnici.

**IPX4** Zaštićen je od prskanja vodom.

**IPX4**

(Sl. 19) **Postupak pokretanja:** pritisnite gumb ON/OFF, otpustite blokadu pokretanja i pritisnite ručicu kočnice motora.

(Sl. 15) **Za zaustavljanje otpustite ručicu kočnice motora.**

(Sl. 16) **Polako**

(Sl. 17) **Brzo**

(Sl. 18) **Kôd koji se može skenirati**

---

**Napomena:** Drugi simboli/naljepnice na proizvodu odnose se na zahtjeve za certifikaciju na pojedinim tržištima.

---

## Naljepnice na proizvodu

(Sl. 20)

**Šake i stopala držite podalje od rotirajućih noževa.**

## Pouzdanost proizvoda

Sukladno zakonima o pouzdanosti proizvoda nismo odgovorni za oštećenja uzrokovana našim proizvodima ako je:

- proizvod nepravilno popravljen
- proizvod popravljen dijelovima koje nije proizveo proizvođač ili nemaju odobrenje proizvođača
- proizvod ima dodatnu opremu koje nije proizveo proizvođač ili nemaju odobrenje proizvođača
- proizvod nije popravljen u odobrenom servisnom centru ili kod ovlaštene osobe.

### Sigurnosne definicije

Upozorenjima, oprezima i napomenama naglašavaju se posebno važni dijelovi priručnika.



**UPOZORENJE:** Koristi se kada nepoštivanje uputa iz priručnika može uzrokovati smrt ili ozljede rukovatelja ili promatrača.

---



**OPREZ:** Koristi se kada nepoštivanje uputa iz priručnika može uzrokovati oštećenje proizvoda ili drugih materijala u neposrednoj blizini.

---

**Napomena:** Koristi se prikaz neophodnih dodatnih informacija za zadanu situaciju.

---

### Opće sigurnosne upute



**UPOZORENJE:** Prije korištenja proizvoda pročitajte upozoravajuće upute u nastavku.

---

- Proizvod je opasan ako ga koristite nepravilno ili ako niste oprezni. Nepoštivanje sigurnosnih uputa može uzrokovati ozljede ili smrt.
- Proizvod tijekom rada proizvodi elektromagnetsko polje. To polje u određenim okolnostima može ometati aktivne ili pasivne medicinske implantate. Za smanjenje opasnosti od smrtonosne ozljede osobama s medicinskim implantatima prije korištenja uređaja preporučujemo obraćanje liječniku i proizvođaču medicinskog implantata.
- Uvijek budite pažljivi i razumni. Ako u posebnim situacijama niste sigurni u način upotrebe stroja, prije nastavka stanite i obratite se svom distributeru tvrtke Husqvarna.
- Imajte na umu kako se rukovatelj smatra odgovornim za nezgode koje uključuju druge osobe ili njihovo vlasništvo.
- Proizvod održavajte čistim. Znakovi i naljepnice moraju biti jasno čitljivi.
- Djeci ili osobama koje nisu upoznate s ovim uputama ne

dopuštajte da upotrebljavaju uređaj. Lokalni propisi mogu ograničavati starosnu dob operatora

- Osobu smanjenih fizičkih ili mentalnih sposobnosti obavezno nadzirite tijekom uporabe proizvoda. Cijelo vrijeme mora biti prisutna odgovorna odrasla osoba.
- Proizvod nemojte koristiti kada ste umorni, bolesni ili pod utjecajem alkohola, droge ili lijekova. To negativno utječe na vaš vid, pažnju, koordinaciju i prosudbu.
- Nemojte upotrebljavati neispravan proizvod.
- Nemojte izmjenjivati proizvod ili ga upotrebljavati ako postoji mogućnost da je izmijenjen.

## Sigurnost na radnom mjestu



**UPOZORENJE:** Prije korištenja proizvoda pročitajte upozoravajuće upute u nastavku.

- Prije upotrebe proizvoda iz radnog područja uklonite sve predmete poput grana, prutova i kamenja.
- Objekti koji udare u reznu opremu mogu biti izbačeni te uzrokovati ozljede ili oštećenja. Promatrače i

životinje držite na sigurnoj udaljenosti od proizvoda.

- Proizvod nikada nemojte upotrebljavati u lošim vremenskim uvjetima kao što su magla, kiša, jak vjetar, intenzivna hladnoća i pri opasnosti od grmljavinskog nevremena. Upotreba proizvoda po lošem vremenu ili na vlažnim odnosno mokrim lokacijama zamorna je. Pri lošem vremenu mogu nastati opasni uvjeti, primjerice skliske površine.
- Pazite na osobe, predmete i situacije koje mogu onemogućiti siguran rad proizvoda.
- Pazite na prepreke kao što su korijenje, kamenje, prutovi, jame i jarci. Visoka trava može sakrivati prepreke.
- Košenje trave na nagibima može biti opasno. Nemojte kositi ekstremno strme padine. Proizvod nemojte upotrebljavati na tlu s nagibom većim od 15°.
- Prilikom promjene smjera kretanja na padinama budite izuzetno oprezni. Proizvod upotrebljavajte poprečno preko nagiba. Nemojte se kretati prema gore i dolje.



- Oprezno prilazite skrivenim kutovima i predmetima koji onemogućavaju jasan pregled.

## Sigurnost pri radu



**UPOZORENJE:** Prije upotrebe proizvoda pročitajte upozoravajuće upute u nastavku.

- Proizvod upotrebljavajte samo za košenje travnjaka. Upotreba za druge zadatke nije dopuštena.
  - Upotrebljavajte opremu za osobnu zaštitu. Pogledajte *Oprema za osobnu zaštitu na stranici 222*.
  - Provjerite znate li brzo zaustaviti motor u slučaju nužde.
  - Proizvod nemojte pogoniti na kiši ni u mokrim uvjetima. Ako voda prodre u proizvod, povećava se opasnost od električnog udara.
  - Proizvod upotrebljavajte samo ako su nož i svi štitnici pravilno postavljeni. Nepravilno postavljen nož može se otpustiti i uzrokovati osobne ozljede.
  - Pazite da nožem ne udarate u predmete poput kamenja ili korijenja. Time možete oštetiti nož i saviti vratilo motora.
- Savijena osovina uzrokuje snažne vibracije i vrlo visoku opasnost od otpuštanja noža.
  - Ako nožem udarite u predmet ili osjetite vibracije, odmah zaustavite proizvod. Zaustavite motor, povucite sigurnosni ključ prema gore pa izvadite bateriju. Pregledajte je li proizvod oštećen. Popravite oštećenja ili popravak prepustite ovlaštenom serviseru.
  - Ručicu kočnice motora nikada trajno nemojte pričvrstiti za ručku kada je motor u pogonu.
  - Proizvod postavite na stabilnu, ravnu površinu i pokrenite ga. Noževi ne smiju udarati u tlo ili druge predmete.
  - Tijekom rukovanja proizvodom obavezno budite iza njega.
  - Tijekom rukovanja proizvodom svi kotači trebaju biti na tlu, a obje ruke na ručki. Ruke i stopala držite podalje od rotirajućih noževa.
  - Proizvod nemojte naginjati kada je motor pokrenut.
  - Budite pažljivi pri povlačenju proizvoda unatrag.
  - Proizvod nikada nemojte podizati kada je motor pokrenut. Ako morate podići proizvod, prvo zaustavite motor, povucite sigurnosni

- ključ prema gore i izvadite bateriju.
- Tijekom rada s proizvodom nemojte hodati unatrag.
  - Zaustavite motor prilikom prelaska preko velikih površina bez trave, primjerice šljunčanih, kamenih i asfaltnih staza.
  - Nemojte trčati s proizvodom kada je motor pokrenut. Obavezno hodajte tijekom rada s proizvodom.
  - Prije promjene visine rezanja zaustavite motor. Nemojte provoditi prilagodbe s pokrenutim motorom.
  - Proizvod s pokrenutim motorom ne ispuštajte iz vida. Zaustavite motor i provjerite je li rezna oprema zaustavljena.

#### Sigurnosne upute za rad

#### Oprema za osobnu zaštitu



**UPOZORENJE:** Prije upotrebe proizvoda pročitajte upozoravajuće upute u nastavku.

- Oprema za osobnu zaštitu ne može u potpunosti spriječiti ozljede, no smanjuje stupanj ozljede u slučaju nezgode. Pri odabiru odgovarajuće opreme zatražite pomoć ovlaštenog trgovca.

- Nosite čizme otporne na klizanje ili cipele za teške uvjete rada. Nemojte nositi otvorene cipele ili biti bos.
- Nosite teške, duge hlače.
- Prema potrebi nosite zaštitne rukavice, primjerice prilikom pričvršćivanja, pregleda ili čišćenja rezne opreme.

#### Sigurnosne upute za proizvod



**UPOZORENJE:** Prije uporabe proizvoda pročitajte upozoravajuće upute u nastavku.

- Nemojte koristiti proizvod s oštećenim zaštitnim uređajima.
- Redovito pregledavajte sigurnosne uređaje. Ako su sigurnosni uređaji neispravni, obratite se Husqvarna ovlaštenom trgovcu.

#### Provjera reznog poklopca

Rezni poklopac smanjuje vibriranje proizvoda te opasnost od ozljede nožem.

- Provjerite ima li na pokrovu noža oštećenja, primjerice napuklina.

## Sigurnosni ključ

Sigurnosni ključ nalazi se ispod poklopca baterije. Sigurnosni ključ priključuje bateriju koja napaja motor.

### Provjera sigurnosnog ključa

Sigurnosni ključ priključuje bateriju koja napaja motor.

- Pokrenite pa zaustavite motor. Ako sigurnosni ključ ispravno funkcionira, motor se može pokrenuti samo kada je ključ u sigurnosnoj bravi.

### Ručica kočnice motora

Ručicom kočnice motora zaustavljate motor. Motor se zaustavlja po otpuštanju ručice kočnice motora.

Za provjeru ručice kočnice motora pokrenite motor i potom otpustite ručicu kočnice motora. Ako se motor ne zaustavi za 3 sekunde, podesite kočnicu motora kod servisera tvrtke Husqvarna.

(Sl. 21)

### Pregled blokade pokretanja

Ispitajte blokadu pokretanja kako biste se uvjerali da sprječava pogon motora.

1. Ručicu kočnice motora gurnite prema upravljaču. Blokada pokretanja zaustavlja pomak.
2. Istisnite blokadu pokretanja. (Sl. 22)
3. Otpustite blokadu pokretanja i provjerite vraća li se u početni položaj.

### Sigurnost baterije



**UPOZORENJE:** Prije upotrebe proizvoda pročitajte upozoravajuće upute u nastavku.

- Upotrebljavajte punjive baterije tvrtke Husqvarna samo za napajanje odgovarajućih proizvoda tvrtke Husqvarna. Bateriju nemojte upotrebljavati za napajanje drugih proizvoda jer postoji opasnost od ozljeda.
- Nemojte koristiti baterije koje nisu punjive.
- Opasnost od strujnog udara. Polove baterije nemojte spajati s ključevima, kovanicama, vijcima ili drugim metalom. Tako može doći do kratkog spoja baterije.
- Nemojte umetati predmete u zračne utore baterije.

pročitajte upozoravajuće upute u nastavku.

---

- Bateriju zaštitite od sunčeve svjetlosti, vrućine i otvorenog plamena. Baterija može eksplodirati i uzrokovati opekline i/ili kemijske opekline.
- Zaštitite bateriju od kiše i mokrih uvjeta.
- Zaštitite bateriju od mikrovalova i visokog tlaka.
- Bateriju nemojte rastavljati ili razbijati.
- Ako baterija počne propuštati, nemojte dopustiti da vam tekućina dospije na kožu ili u oči. Ako ste dodirnuli tekućinu, očistite to mjesto velikom količinom vode i zatražite medicinsku pomoć.
- Bateriju upotrebljavajte u rasponu temperatura od -10 °C i 40 °C.
- Bateriju ili punjač baterije nikada nemojte čistiti vodom. Pogledajte *Za čišćenje baterije i punjača baterija na stranici 230.*
- Nemojte upotrebljavati neispravnu ili oštećenu bateriju.
- Baterije skladištite dalje od metalnih predmeta poput čavala, kovanica i nakita.

## Sigurnost punjača baterije

---



**UPOZORENJE:** Prije upotrebe proizvoda

- Punjače baterija QC upotrebljavajte samo za punjenje zamjenskih baterija tvrtke Husqvarna.
- Opasnost od strujnog udara ili kratkog spoja. Nemojte umetati predmete u zračne utore punjača. Nemojte rastavljati punjač baterije. Priključke baterije nemojte spajati metalnim predmetima. Upotrebljavajte odobrenu mrežnu utičnicu.
- Proizvod tijekom rada proizvodi elektromagnetsko polje. To polje u određenim okolnostima može ometati aktivne ili pasivne medicinske implantate. Za smanjenje opasnosti od uvjeta koji mogu uzrokovati ozljede ili smrt, osobama s medicinskim implantatima prije korištenja ovog uređaja preporučujemo obraćanje liječniku i proizvođaču medicinskog implantata.
- Redovno provjeravajte je li kabel za napajanje punjača baterije neoštećen te je li ispucao.
- Punjač baterije nemojte podizati za električni kabel. Za

odspajanje punjača baterije od zidne utičnice izvucite utikač. Nemojte povlačiti kabel za napajanje.

- Kabel za napajanje i produžne kabele držite podalje od vode, ulja i oštih rubova. Kabel nemojte prignječiti vratima, ogradama i sl. To može narinuti napon na punjač.
- Punjač baterije nemojte čistiti vodom.
- Punjač baterije mogu koristiti djeca od 8 godina i starija te osobe s umanjenim fizičkim, osjetilnim ili mentalnim sposobnostima ili nedostatkom iskustva i znanja ako je osiguran njihov nadzor ili ako su upućeni u sigurno korištenje uređaja te razumiju obuhvaćene opasnosti. Djeca se ne smiju igrati punjačem baterije. Čišćenje i održavanje ne smiju provoditi djeca bez nadzora.
- Punjačem baterije nije dopušteno puniti nepunjive baterije.
- Punjač baterije nemojte upotrebljavati u blizini zapaljivih materijala ili materijala koji mogu uzrokovati koroziju. Nemojte pokrivati punjač baterije. Ako dođe do razvoja dima ili

požara, odpojte utikač punjača baterije.

- Nemojte upotrebljavati neispravan ili oštećen punjač baterije.
- Bateriju puniti isključivo u dobro prozračenom zatvorenom prostoru bez izravne sunčeve svjetlosti. Bateriju nije dopušteno puniti u vlažnim uvjetima.

### Sigurnosne upute za održavanje

---



**UPOZORENJE:** Prije upotrebe proizvoda pročitajte upozoravajuće upute u nastavku.

---

- Prije održavanja proizvoda izvadite sigurnosni ključ.
- Pravilno provedite radove održavanja kako biste produljili vijek trajanja proizvoda i smanjili opasnost od nezgoda. Profesionalna održavanja prepustite odobrenom serviseru. Za više informacija obratite se najbližem serviseru.
- Provodite samo održavanje opisano u ovom korisničkom priručniku.
- Tijekom rada s reznom opremom nosite rukavice na teške uvjete rada. Nož je vrlo

oštar i lako dolazi do posjekotina.

- Rezne rubove održavajte naoštrenima i čistima kako biste osigurali najsigurnije radne značajke.
- Redovno pregledavajte proizvod i provodite potrebne prilagodbe i popravke kod servisera.
- Zamijenite oštećene, istrošene ili polomljene dijelove.

- Pridržavajte se uputa za zamjenu dodatne opreme. Upotrebljavajte isključivo dodatnu opremu proizvođača.
- Kada ih ne upotrebljavate, proizvod, bateriju i punjač baterije skladištite odvojeno u zatvorenom, suhom i zaključanom prostoru. Djeci i neovlaštenim osobama onemogućite pristup proizvodu, bateriji i punjaču.

---

## Sastavljanje

---

### Uvod



**UPOZORENJE:** Prije sklapanja proizvoda s razumijevanjem pročitajte poglavlje o sigurnosti.

### Ugradnja i vađenje multi baterije (dodatna oprema)

1. Uklonite 4 gumeni pokrova i 4 vijka iz poklopca motora. (Sl. 23)
2. Ploču prilagodnika stavite na poklopac motora.
3. Pričvrstite loču prilagodnika uz pomoć 4 isporučena vijka i pritegnite ih zateznim momentom od 5 – 6 Nm. (Sl. 24)
4. Otvorite poklopac baterije.
5. Izvadite bateriju iz utora 1. (Sl. 25)
6. Uklonite graničnik brtve. (Sl. 26)
7. Pritiskujte prilagodnik baterije u odjeljak za bateriju dok ne čujete škljocaj. (Sl. 27)
8. Provućite užu prilagodnika baterije kroz provrt na graničniku brtve. Pričvrstite užu kopčom. (Sl. 28)
9. Ugradite multi bateriju na prilagodnik baterije.
10. Povežite multi bateriju s prilagodnikom baterije. (Sl. 29)
11. Pričvrstite užu prilagodnika baterije na dršku uz pomoć 3 platnene trake. (Sl. 30)
12. Uklonite multi bateriju obrnutim redoslijedom.



**UPOZORENJE:** Čvrsto pričvrstite užu na dršku. Uža može spasti s drške i prouzročiti ozljede.

### Sastavljanje ručke (LC 551iV)

1. Otpustite donje vijke.
2. Pomaknite kotačiće u donji dio utora na lijevoj i desnoj strani proizvoda. (Sl. 31)
3. Postavite visinu ručke u jednu od dva dostupna položaja.
4. Pomičite kotačiće gore u smjeru ručke dok se ne zaustave uz škljocaj. (Sl. 32)
5. Kotačiće zategnite do kraja.

### Sastavljanje ručke (LB 548i)

1. Uklonite maticu ručke i podlošku s ploče na gornjoj ručki.
2. Gornju ručku postavite u položaj iznad donje ručke.



**OPREZ:** Pazite da se žice ne zapetljaju ili oštete.

3. Postavite podlošku i polugu za podešavanje ručke. (Sl. 33)
4. Pri radu s proizvodom u blizini zida ručku okrenite na stranu prikladnu za rad. (Sl. 34)

### Montaža sakupljača trave (LC 551iV)

1. Okvir sakupljača trave pričvrstite za vreću za travu tako da kruti dio vreće bude na dnu. Ručka okvira treba biti na vrhu vreće za travu. (Sl. 35)
2. Donji dio okvira sakupljača trave pričvrstite u utor na dnu sakupljača trave.
3. Vreću za travu kopčama pričvrstite za okvir sakupljača trave. (Sl. 36)
4. Podignite stražnji poklopac.

5. Pričvrstite hvatač trave za gornji rub šasije.
6. Donji dio sakupljača trave umetnite u kanal za izbacivanje trave. (Sl. 37)
2. Priključak za sječku umetnite u kanal za izbacivanje. (Sl. 38)
3. Zamijenite nož s nožem za sječku isporučenim u kompletu za sječku. Pogledajte *Zamjena noža na stranici 230*.

## Sastavljanje priključka za sječku (LC 551iV dodatna oprema)

1. Podignite stražnji poklopac i uklonite sakupljač trave.

---

## Rad

---

### Uvod



**UPOZORENJE:** Prije rada s proizvodom morate pročitati i usvojiti poglavlje o sigurnosti.

### Husqvarna Connect

Husqvarna Connect besplatna je aplikacija za mobilni uređaj. Aplikacija Husqvarna Connect pruža vam dodatne funkcije za proizvod Husqvarna.

- Opširnije informacije o proizvodu.
- Dodatne informacije i pomoć za dijelove i servisiranje proizvoda.

### Početak rada sa Husqvarna Connect

1. Preuzmite aplikaciju Husqvarna Connect na svoj mobilni uređaj.
2. Prijavite se na aplikaciju Husqvarna Connect.
3. Pratite upute u aplikaciji Husqvarna Connect kako biste se spojili i registrirali proizvod.

### Husqvarna Fleet Services™

Husqvarna Fleet Services™ jest rješenje s računalnim oblakom koje upravitelju komercijalne flote pruža pregled svih proizvoda. Usluga Husqvarna Fleet Services™ uključena je za LC 551iV. Više informacija o Husqvarna Fleet Services™ potražite na [www.husqvarna.com](http://www.husqvarna.com).

### Priprema senzora (dodatna oprema)

1. Uz pomoć ključa za senzore otvorite poklopac senzora. (Sl. 39)
2. Izvadite senzor.
3. Bateriju spojite na senzor. Uključit će se LED svjetlo senzora. (Sl. 40)
4. Preuzmite aplikaciju Husqvarna Fleet Services™.
5. Prijavite se u aplikaciju Husqvarna Fleet Services™.
6. Provedite uparivanje. Pročitajte odjeljak *Radnja uparivanja aplikacije s proizvodom na stranici 227*

### Radnja uparivanja aplikacije s proizvodom

1. Prijavite se u aplikaciju Husqvarna Fleet Services™.
2. Odaberite svoj proizvod u aplikaciji.

3. Skenirajte šifru iza senzora svojim mobilnim uređajem da biste instalirali senzor u aplikaciju.

**Napomena:** Radnju uparivanja aplikacije s proizvodom potrebno je izvesti samo jedanput.

### Instalacija senzora

1. Provjerite je li senzor spojen s aplikacijom Husqvarna Fleet Services™. Pogledajte *Radnja uparivanja aplikacije s proizvodom na stranici 227*.
2. Probušite 2 provrta na oznakama na utoru kućišta. (Sl. 41)

**Napomena:** Pobrinite se za to da ta dva provrta budu istih dimenzija kao i zakovice isporučene sa senzorom.

3. Kliještima klonite vanjske provrte na utoru senzora. (Sl. 42)
4. Probušite 2 provrta na oznakama na utoru senzora. (Sl. 43)
5. Poravnajte utor na senzoru s utorom na kućištu. (Sl. 44)
6. Zakovicama pričvrstite utor senzora.
7. Ugradite senzor u utor senzora. Poravnajte bijelu oznaku na senzoru s oznakom na utoru na senzoru. (Sl. 45)
8. Zatvorite poklopac senzora i zaključajte ga ključem za senzore. Pobrinite se za to da vrh Husqvarna „H“ bude usmjeren dalje od sigurnosnog ključa. (Sl. 46)

### Postavljanje proizvoda u položaj za rad (LC 551iV)

1. Podignite ručku u uspravan položaj. (Sl. 47)
2. Pomičite kotačiće gore u smjeru ručke dok se ne zaustave uz škljocaj. (Sl. 32)
3. Kotačiće zategnite do kraja.

### Postavljanje visine rezanja

Visina rezanja podesiva je na 6 razina.

1. Za povećanje visine rezanja komandu za visinu rezanja pritisnite u smjeru kotača i potom unatrag.

2. Za smanjenje visine rezanja komandu za visinu rezanja pritisnite u smjeru kotača i potom prema naprijed. (Sl. 48)



**OPREZ:** Visinu rezanja nemojte postaviti prenisko. Noževi mogu udariti u tlo ako površina travnjaka nije ravna.

## Baterija



**UPOZORENJE:** Prije upotrebe baterije morate pročitati i usvojiti poglavlje o sigurnosti. Također morate pročitati i usvojiti korisnički priručnik za bateriju i punjač baterije.

### Status baterije

Na zaslonu se prikazuje preostali kapacitet baterije te postoje li problemi s baterijom. Kapacitet baterije prikazuje se na 5 sekundi nakon isključenja proizvoda ili pritiskanja gumba indikatora baterije. Kada dođe do pogreške uključuje se simbol upozorenja na bateriji. Pogledajte *Baterija na stranici 231*.

(Sl. 49)

LED indikatori	Status baterije
Svi LED indikatori svijetle	Potpuno napunjena (75 – 100%)
Svijetle indikatori LED 1, LED 2 i LED 3	Baterija je napunjena 50% – 75%
Svijetle indikatori LED 1 i LED 2	Baterija je napunjena 25% – 50%
Svijetli indikator LED 1	Baterija je napunjena 0% – 25%.
Indikator LED 1 treperi	Baterija je prazna. Napunite bateriju.

### Zamjena baterije

Prije prve upotrebe napunite bateriju. Baterija je pri isporuci kupcu napunjena samo 30%.

**Napomena:** Punjač baterije morate spojiti na napon i frekvenciju koji su navedeni na natpisnoj pločici.

Baterija se ne puni ako je temperatura baterije viša od 50 °C. Punjač baterije smanjuje temperaturu baterije prije početka punjenja.

1. Jedan kraj kabela za napajanje punjača baterije priključite na utičnicu na punjaču baterije.
2. Drugi kraj kabela za napajanje punjača baterije priključite na uzemljenu mrežnu utičnicu. LED indikator na punjaču baterije zatreperi jednom zelenom bojom. (Sl. 50)

3. Postavite bateriju u punjač baterije. Ako je baterija pravilno priključena na punjač baterije, na punjaču se uključuje zeleni indikator. (Sl. 51)
4. Kada na bateriji svijetle svi LED indikatori, baterija je potpuno napunjena. Bateriju puniti najdulje 24 sata.
5. Za odspajanje punjača baterije od mrežne utičnice povucite priključak, ne kabel.
6. Izvadite bateriju iz punjača baterije.

### Status punjača baterije

Litij-ionsku bateriju tvrtke Husqvarna možete puniti ili upotrebljavati pri bilo kojoj razini napunjenosti. Baterija nije oštećena. Potpuno napunjena baterija neće se prazniti kada je ostavite u punjaču.

LED zaslon	Stanje punjenja
Indikator LED 1 treperi	0% – 25%
Svijetli indikator LED 1, indikator LED 2 treperi	25% – 50%
Svijetle indikatori LED 1, LED 2, indikator LED 3 treperi	50% – 75%
Svijetle indikatori LED 1, LED 2, LED 3, indikator LED 4 treperi	75% – 100%
Svijetle indikatori LED 1, LED 2, LED 3 i LED 4	Potpuno napunjena

### Punjenje multi baterije

**Napomena:** Napunite bateriju pri prvoj upotrebi. Nova baterija napunjena je samo 30 %.

1. Provjerite je li baterija suha.
2. Multi bateriju spojite na prilagodnik. (Sl. 52)
3. Adapter stavite na punjač baterije.
4. Provjerite uključuje li se zeleni LED indikator punjenja na punjaču baterije. To znači da je prilagodnik ispravno spojen s multi baterijom. (Sl. 53)
5. Kada se na bateriji uključe svi LED indikatori, a na prilagodniku se pojavi brojka 100 %, baterija je potpuno napunjena. (Sl. 54)

Prilagodnik prikazuje stanje napunjenosti u koracima od po 1 %. Na početku punjenja moguća su manja odstupanja.

6. Za odspajanje punjača baterije od mrežne utičnice izvucite utikač. Nemojte povlačiti kabel.
7. Izvadite prilagodnik iz punjača baterije.
8. Izvadite multi bateriju iz prilagodnika.

**Napomena:** Više informacija potražite u priručnicima za multi bateriju i punjač baterije.



## Pokretanje proizvoda

1. Podignite poklopac baterije.
2. Umetnite napunjenu bateriju u utor za bateriju broj 1 ispod poklopca baterije. Za dulje vrijeme rada umetnite drugu napunjenu bateriju u utor za bateriju 2.
3. Odvojite sigurnosni ključ od držača sigurnosnog ključa.
4. Gurnite sigurnosni ključ u sigurnosnu bravu. (Sl. 55)
5. Stanite iza proizvoda.
6. Pritisnite gumb ON/OFF na upravljačkoj ploči. Uključuje se zaslon.
7. Otpustite blokadu pokretanja. (Sl. 22)
8. Ručicu kočnice motora gurnite prema upravljaču. (Sl. 56)

## Upotreba pogona na kotačima (LC 551iV)

- Povucite polugu pogona u smjeru upravljača kako biste pokrenuli pogon. (Sl. 57)
- Pritisnite + i - na upravljačkoj ploči za postavljanje brzine pogona u 4 koraka. (Sl. 58)
- Otpustite polugu pogona kako biste odspojili pogon, primjerice kada se približavate prepreci.

## Upotreba funkcije SavE

Proizvod ima funkciju za uštedu baterije (SavE) koja omogućuje dulje vrijeme rada.

1. Pritisnite gumb SavE (A) kako biste pokrenuli funkciju. Na zaslonu se pojavljuje simbol SavE (B).
2. Ponovno pritisnite gumb SavE kako biste zaustavili funkciju. Sa zaslona nestaje simbol SavE (B). (Sl. 59)

Funkcija SavE automatski se zaustavlja ako uvjeti na tlu zahtijevaju veću snagu. Funkcija SavE automatski se ponovno uključuje kada to dopuste uvjeti na tlu.

## Funkcija PowerBoost

Kada proizvodom kosite vlažnu travu, motor automatski povećava broj o/min. Za uštedu trajanja baterije motor

se automatski vraća u standardni način rada kada funkcija PowerBoost više nije potrebna.

## Zaustavljanje proizvoda

Proizvod se automatski zaustavlja ako ga ne upotrebljavate 3 minuta.

1. Otpustite ručicom kočnice motora kako biste zaustavili motor. (Sl. 21)
2. Pritisnite gumb ON/OFF na upravljačkoj ploči. Isključuju se svi LED indikatori i simboli na zaslonu. (Sl. 60)
3. Izvadite sigurnosni ključ iz sigurnosne brave pa ga stavite u držač sigurnosnog ključa.

## Za dobar ishod

- Uvijek upotrebljavajte oštar nož. Tup nož daje nepravilne rezultate, a rezana površina trave požuti. Oštar nož također troši manje energije od tupog.
- Nemojte rezati više od  $\frac{1}{3}$  od duljine trave. Prvo kosite s visoko postavljenom visinom za rezanje. Provjerite rezultat i spustite visinu rezanja na prihvatljivu razinu. Ako je trava vrlo dugačka, vozite polako i po potrebi kosite 2 puta.
- Svaki put kosite u drugom smjeru kako biste spriječili nastanak traka na travnjaku.

## Košenje trave bez postavljenog sakupljača trave ili priključka za sječku (LC 551iV)

1. Podignite stražnji poklopac i uklonite sakupljač trave.
2. Ako su postavljeni priključak za sječku i nož za sječku, uklonite ih.
3. Prije upotrebe proizvoda zatvorite stražnji poklopac.

Pri upotrebi proizvoda trava se izbacuje ispod stražnjeg poklopca.

---

## Održavanje

---

### Uvod



**UPOZORENJE:** Prije održavanja morate pročitati i usvojiti poglavlje o sigurnosti.

Za sve radove servisiranja i održavanja na proizvodu potrebna je posebna obuka. Jamčimo dostupnost profesionalnih popravaka i servisa. Ako vaš distributer nije serviser, od njega zatražite informacije o najbližem serviseru.

### Raspored održavanja

Intervali održavanja izračunati su za dnevnu upotrebu proizvoda. Intervali se mijenjaju ako se proizvod ne upotrebljava svakodnevno.

Za održavanje označeno znakom \* pogledajte *Sigurnosne upute za rad na stranici 222.*

	Svake upotrebe	Mjesečno	Svake sezone
Provedite opći pregled	X		
Očistite poklopce prijenosa. Pobrinite se za to da na motoru ne bude trave	X		
Provjerite blokadu paljenja *	X		
Provjerite ispravnost sigurnosnih uređaja na proizvodu *	X		
Provjeravajte nije li na sakupljaču trave došlo do trošenja ili habanja	X		
Pregledajte reznu opremu	X		
Pregledajte pokrov noža *	X		
Provjerite ručicu kočnice motora *	X		
Provjerite ispravnost i neoštećenost gumba ON/OFF	X		
Provjerite jesu li baterija oštećena	X		
Provjerite napunjenost baterije	X		
Provjerite ispravnost gumba za otpuštanje baterije i pričvršćivanje baterije u proizvod	X		
Očistite dovode zraka. Pobrinite se za to da na dovodima zraka ne bude trave	X		
Provjerite je li punjač baterije oštećen i uvjerite se u njegovu ispravnost rada		X	
Pregledajte spojeve između baterije i proizvoda. Također pregledajte spojeve između baterije i punjača baterije			X

## Za opći pregled

- Provjerite jesu li zategnuti matice i vijci na proizvodu.
- Kabeli na proizvodu ne smiju biti u položaju u kojem se mogu oštetiti.

## Zamjena noža

1. Blokirate nož drvenim blokom. (Sl. 61)
2. Skinite vijak noža, podlošku opruge i nož. (Sl. 62)
3. Provjerite jesu li nosač noža i vijak noža neoštećeni.
  - a) Pri zamjeni noža ili nosača noža također zamijenite vijak noža, podlošku opruge i tarnu podlošku.
4. Pregledajte vratilo motora kako biste se uvjerali da nije savijeno.
5. Savijene rubove pri postavljanju novog noža usmjerite prema reznom poklopcu. (Sl. 63)
6. Postanite tarnu podlošku i nož na nosač noža. (Sl. 64)
7. Nož morate poravnati sa središtem vratila motora. (Sl. 65)
8. Blokirate nož drvenim blokom. (Sl. 66)
9. Postavite elastični rasječni prsten i zategnite vijak na zatezni moment od 65-75 Nm. (Sl. 67)

10. Ručno povucite nož u krug kako biste provjerali okreće li se slobodno.



**UPOZORENJE:** Upotrijebite zaštitne rukavice. Nož je vrlo oštar i lako dolazi do posjekotina.

11. Pokrenite proizvod kako biste ispitali nož. Ako nož nije ispravno pričvršćen, proizvod vibrira ili ishod košenja nije zadovoljavajući.

## Za čišćenje proizvoda

- Plastične dijelove čistite čistom i suhom krpom.
- Proizvod nemojte čistiti vodom. Voda može prodrijeti u bateriju ili motor i uzrokovati kratki spoj ili oštetiti proizvod.
- Za čišćenje proizvoda nemojte koristiti visokotlačni stroj za pranje.
- Nemojte liti vodu izravno na motor.
- Četkom uklonite lišće, travu i onečišćenja.

## Za čišćenje baterije i punjača baterija



**OPREZ:** Bateriju ili punjač baterije nikada nemojte čistiti vodom.

- Prije umetanja baterije u punjač baterije provjerite jesu li baterija i punjač baterije čisti i suhi.
- Očistite polove baterije komprimiranim zrakom ili upotrijebite mekanu i suhu krpu.
- Površine baterije i punjač baterije očistite mekanom i suhom krpom.

1. Pregledajte ima li na reznoj opremi oštećenja ili pukotina. Oštećenu reznu opremu obavezno zamijenite.
2. Pregledajte nož kako biste ustanovili je li oštećen ili tup.

## Pregled opreme za rezanje



**UPOZORENJE:** Kako biste spriječili nenamjerno pokretanje, povucite sigurnosni ključ prema gore, uklonite bateriju i pričekajte najmanje pet sekundi.



**UPOZORENJE:** Tijekom održavanja rezne opreme nosite zaštitne rukavice. Nož je vrlo oštar i lako dolazi do posjekotina.

**Napomena:** Nakon oštrenja nož je nužno uravnotežiti. Nož naoštrite, zamijenite i uravnotežite u servisnom centru. Ako se pri udaru u prepreku proizvod zaustavi, zamijenite oštećeni nož. Procjenu za oštrenje ili zamjenu noža prepustite servisnom centru.

## Rješavanje problema

### Baterija

LED indikator na bateriji	Moguće pogreške	Mogući postupak
Treperi zeleni LED indikator	Napon baterije je nizak	Napunite bateriju. Pogledajte <i>Zamjena baterije na stranici 228</i> .
Treperi LED indikator za pogreške	Baterija je slaba	Napunite bateriju. Pogledajte <i>Baterija na stranici 231</i> .
	Temperatura radnog okoliša je previsoka ili preniska	Bateriju upotrebljavajte u rasponu temperatura od -10 °C i 40 °C.
	Prenapon	Provjerite je li napon mreže jednak naponu na natpisnoj pločici proizvoda. Izvadite bateriju iz punjača baterije. Pričekajte 5 sekundi i ponovno pokušajte napuniti bateriju. Ako se problem ponovno pojavi, obratite se ovlaštenom serviseru.
LED indikator za pogreške je uključen	Prevelika razlika ćelija (1 V)	Obratite se ovlaštenom serviseru.

### Punjač baterije

LED indikator na punjaču baterije	Moguće pogreške	Mogući postupak
Treperi LED indikator za pogreške	Temperatura radnog okoliša je previsoka ili preniska	Punjač baterije upotrebljavajte u rasponu temperature između 5 °C i 40 °C.
LED indikator za pogreške je uključen		Obratite se ovlaštenom serviseru

## Upravljačka ploča

Kod pogreške (broj treperenja)	Moguće pogreške	Mogući postupak
1	Pregrijan je motor prijenosa.	Pričekajte na hlađenje proizvoda. Pobrinite se za to da na prijenosu ne bude trave. Ako je potrebno, očistite poklopac prijenosa.
5	Prebrzo opadanje brzine motora i zaustavljanje motora.	Očistite režno kućište i povećajte visinu rezanja. Pogledajte <i>Postavljanje visine rezanja na stranici 227</i> . Ako je greška još uvijek prisutna, razgovarajte sa svojim ovlaštenim servisnim agentom.
8	Baterija je slaba.	Napunite bateriju. Pogledajte <i>Zamjena baterije na stranici 228</i> .
9	Pogreška baterije ili nema signala baterije.	Pravilno umetnite bateriju u proizvod i pregledajte priključak baterije. Ako trepti LED indikator za pogrešku na bateriji, pogledajte <i>Baterija na stranici 228</i> .
10	Pregrijano je upravljanje motorom.	Zaustavite motor i pričekajte da se ohladi.
Ostale pogreške	Ako dođe do neke druge pogreške, izvadite sigurnosni ključ i bateriju i obratite se ovlaštenom servisnom agentu.	

## Prijevoz, spremanje i zbrinjavanje

### Uvod



**UPOZORENJE:** Kako biste spriječili nenamjerno pokretanje pri transportu, povucite sigurnosni ključ prema gore, uklonite bateriju i pričekajte najmanje 5 sekundi.

- Preljepite priključke baterije trakom i onemogućite pomicanje baterije tijekom transporta.
- Pričvrstite proizvod tijekom transporta.

### Skладиštenje

- Prije skladištenja obavezno izvadite bateriju.
- Kako biste spriječili nezgode, bateriju tijekom skladištenja nemojte ostaviti priključenu na proizvod.
- Punjač baterije spremite u zatvoren, suh prostor.
- Bateriju i punjač baterije spremite u suh prostor u koji ne može prodrijeti vlaga ili mraz.
- Bateriju za skladištenje uklonite s punjača baterije.
- Bateriju nemojte skladištiti u prostoru u kojem može nastati statički elektricitet. Bateriju nemojte čuvati u metalnoj kutiji.
- Bateriju spremite u prostor temperature između 5 °C i 25 °C, bez izlaganja izravnoj sunčevoj svjetlosti.
- Punjač baterije spremite u prostor temperature između 5 °C i 45 °C, bez izlaganja izravnoj sunčevoj svjetlosti.
- Prije dugotrajnog skladištenja obavezno napunite bateriju na 30% do 50%.
- Proizvod, bateriju i punjač baterije skladištite u zaključanom prostoru izvan dosega djece i neodobrenih osoba.
- Prije dugotrajnog skladištenja očistite proizvod i provedite cjeloviti servis.

### Postavljanje proizvoda u položaj za prijevoz (LC 551iV)

1. Otpustite donje vijke.
2. Pomaknite kotačiće u donji dio utora na lijevoj i desnoj strani proizvoda. (Sl. 31)
3. Preklopite ručku prema naprijed. (Sl. 68)
4. Uklonite sakupljač trave.

### Prijevoz

- Na sadržane litij-ionske baterije primjenjuju se zahtjevi zakona o opasnim tvarima.
- Za komercijalne Transporte morate poštivati posebne zahtjeve za pakiranje i oznake.
- Provjerite poštivanje propisa za opasne materijale tijekom pripreme proizvoda za transport. Primjenjuju se lokalni propisi.
- Prije prijevoza obavezno izvadite bateriju.

## Odlaganje

Oznake na proizvodu ili ambalaži proizvoda znače da se proizvod ne smije odlagati zajedno s komunalnim otpadom. Umjesto toga, potrebno ga je odnijeti u propisani reciklažni centar za prihvata električne i elektroničke opreme.

Ispravnim rukovanjem proizvodom pomažete u ublažavanju negativnih učinaka po okoliš i osobe do

kojih može doći u slučaju pogrešnog upravljanja otpadnim tvarima ovog proizvoda. Pojednosto o recikliranju proizvoda zatražite od lokalnih tijela uprave, komunalne službe ili u prodavaonici u kojoj ste kupili proizvod.

(Sl. 69)

## Tehnički podaci

### Tehnički podaci

	LB 548i	LC 551IV
<b>Rezni motor</b>		
Vrsta motora	BLDC (beskontaktni) 36 V	BLDC (beskontaktni) 36 V
Broj okretaja motora – SavE, o/min*	2600	2600
Broj okretaja motora – nazivni, o/min*	3000	3000
Broj okretaja motora – veliko opterećenje, o/min*	3300	3300
Snaga motora – maks. kW	1,8	1,8
Snaga motora – nazivna, kW	1,5	1,5
<b>Pogonski motor</b>		
Snaga motora – nazivna, kW	N/D	0,3
Brzina samostalnog hoda, km/h	N/D	3,0 – 5,0
Razine prilagodbe brzine	N/D	4
<b>Težina</b>		
Težina bez baterije, kg	31	41
<b>Baterija</b>		
Vrsta baterije	Serije baterije Husqvarna	Serije baterije Husqvarna
<b>Trajanje baterije</b>		
Trajanje baterije, min, (slobodni pogon) s uključenom funkcijom SavE, s jednom baterijom tvrtke Husqvarna od 5,2 Ah (Bli200).	40	30
Trajanje baterije, min, (slobodni pogon) s uključenom standardnim načinom rada, s jednom baterijom tvrtke Husqvarna od 5,2 Ah (Bli200).	30	20
<b>Emisije buke<sup>31</sup></b>		
Razina jačine zvuka, mjerena u dB (A)	93	97
Razina jačine zvuka, zajamčena L <sub>WA</sub> dB (A)	93	97
<b>Razine buke<sup>32</sup></b>		

<sup>31</sup> Emisije buke u okoliš izmjerene kao jakost zvuka (L<sub>WA</sub>) u skladu s EZ direktivom 2000/14/EZ.

<sup>32</sup> Navedeni podaci za razinu pritiska zvuka uključuju tipično statističko raspršenje (standardno odstupanje) od 1,2 dB (A).

	<b>LB 548i</b>	<b>LC 551iV</b>
Razine tlaka zvuka na uhu rukovatelja, dB (A)	80	84
<b>Razine vibracije</b> <sup>33</sup>		
Ručka, m/s <sup>2</sup>	0,3	0,3
<b>Oprema za rezanje</b>		
Visina rezanja, mm	20 – 75	20 – 75
Širina rezanja, cm	48	51
Standardni nož	Nož za malčiranje 597466510	Nož za sakupljanje 597466310
Dotatna oprema za nož	Nije dostupno	Nož za malčiranje 597466410
Zapremnina sakupljača trave, litre	Nije dostupno	65

\* Okretaja u minuti

Odobrene baterije	Vrsta	Kapacitet baterije, Ah	Napon, V	Težina, lb/kg
BLi20	Litij-ion	4,0	36	2,6/1,2
BLi200	Litij-ion	5,2	36	2,8/1,3
BLi300	Litij-ion	9,4	36	4,1/1,9
BLi550X	Litij-ion	15,6	36	12,4/5,6
BLi950X	Litij-ion	31,1	36	15,4/7,0

Odobreni punjači za navedene baterije, BLI	Ulazni napon, V	Frekvencija, Hz	Snaga, W
QC80	100 – 240	50 – 60	80
QC80F	12	0	80
QC330	100 – 240	50 – 60	330
QC500	100 – 240	50 – 60	500

<sup>33</sup> Podaci o razini vibracije pokazuju tipičnu statističku disperziju (standardnu devijaciju) od 0,2 m/s<sup>2</sup>. Standard za vibracije EN 60335-2-77:2017, poglavlje 20.105

---

# Izjava o sukladnosti EC

---

## Izjava o sukladnosti EC

**Husqvarna AB**, SE-561 82 Huskvarna, Švedska, tel:  
+46-36-146500, izjavljuje kako kosilice **Husqvarna LB  
548i, LC 551iV** iz godine 2019 i novije udovoljavaju  
zahtjevima DIREKTIVE VIJEĆA:

- od 8. lipnja 2011. o "ograničenju uporabe određenih opasnih tvari" **2011/65/EU**
- od 17. svibnja 2006, "o strojevima" **2006/42/EC**
- od 26. veljače 2014. „koja se odnosi na elektromagnetsku kompatibilnost“ **2014/30/EU**
- od 8. svibnja 2000. "koja se odnosi na emisije buke u okoliš" **2000/14/EC**

Informacije o emisiji buke potražite u tehničkim podacima.

Primijenjeni su sljedeći standardi:

**IEC 60335-1:2010, IEC 60335-2-77:2002, EN  
60335-1:2012, EN 60335-2-77:2010 EN/IEC  
62233:2008 EN 61000-6-3:2005 EN 61000-6-1:2005**

Osim ako nije navedeno drugačije, prethodno navedeni standardi su posljednje objavljene verzije.

Prijavljeno tijelo: **0404, RISE SMP Svensk  
Maskinprovning AB, Box 7035, SE-750 07 Uppsala**  
provelo je kontrolu kvalitete sukladno prilogu VI direktive  
2000/14/EZ i izdalo certifikaciju s brojem: 01/901/324  
(LB 548i), 01/901/323 (LC 551iV)

**KEEGAN VAN DER SPEK**  
TUINMACHINES \* STOLWIJK

Huskvarna, 2020-01-20



Claes Losdal, razvojni menadžer/vrtni proizvodi  
(ovlašteni predstavnik tvrtke Husqvarna AB i nositelj  
odgovornosti za tehničku dokumentaciju)

---

# TARTALOMJEGYZÉK

---

Bevezető.....	236	Hibaelhárítás.....	251
Biztonság.....	238	Szállítás, tárolás és ártalmatlanítás.....	252
Összeszerelés.....	246	Műszaki adatok.....	253
Üzemeltetés.....	247	EK megfelelőségi nyilatkozat.....	256
Karbantartás.....	249		

---

## Bevezető

---

### Termékleírás

A termék egy gyalog kísért forgókéses fűnyíró. A(z) LB 548i típus a BioClip technológia segítségével végzi el a fű trágyázásra való vágását.

A(z) LC 551iV típus egy fűgyűjtőben gyűjti össze a lenyírt fűvet. Vegye ki a fűgyűjtőt a fű hátsó ürítéséhez.

### A termék áttekintése

(ábra 1)

1. Vezérlőpanel
2. Motorékfogantyú
3. Indításgátló
4. Fűgyűjtő (LC 551iV)
5. Hátsó burkolat (LC 551iV)
6. Biztonsági kulcs
7. Gombfogantyú (LC 551iV)
8. Fogantyú állító kar (LB 548i)
9. Akkumulátorfedél
10. Vágásimagasság-szabályozó (LC 551iV)
11. ON/OFF gomb
12. SavE gomb
13. SavE jelző
14. Akkumulátorjelző
15. Sebesség kijelzője
16. Sebesség csökkentése gomb
17. Sebesség növelése gomb
18. Hibajelző LED
19. Vágóburkolat
20. Levegőbeömlő nyílások
21. Adattábla
22. Kerékhajtás kapcsoló kar (LC 551iV)
23. Akkumulátortöltő (tartozék)
24. Akkumulátor (tartozék)
25. Többmodulos akkumulátor (tartozék)
26. Adapterlemez (tartozék)
27. Többmodulos akkumulátor adaptere (tartozék)
28. Kezelői kézikönyv

Csatlakoztasson egy porhanyító készletet (tartozék) a fű műtrágyázásra való vágásához.

### Rendeltetésszerű használat

Használja a terméket magánkertekben történő fűnyírásra. Ne használja a terméket egyéb feladatokra.

### A termék szimbólumai

(ábra 2)

**FIGYELMEZTETÉS:** A termék veszélyes lehet a kezelőre és másokra, valamint a súlyos sérülésüket és halálukat okozhatja. Körültekintően járjon el, és megfelelően használja a terméket.

(ábra 3)

Olvassa el a használati utasítást, és a termék használatba vétele előtt mindenképpen legyen tisztában a benne foglaltakkal.

(ábra 4)

A személyeket és állatokat tartsa biztonságos távolságban a munkaterülettől.



(ábra 5) Legyen óvatos a kivetett és visszapattanó tárgyakkal.

(ábra 6) Figyelmeztetés: Tartsa távol kezét és lábát a forgó késektől.

(ábra 7) Figyelmeztetés: Tartsa távol kezét és lábát a forgó alkatrészekről.

(ábra 8) Karbantartás vagy javítás előtt vegye ki az eltávolítható biztonsági kulcsot.

(ábra 9) **Környezetvédelmi jelzés.**  
A termék és a termék csomagolása nem minősül háztartási hulladéknak. Újrahasznosítását egy jóváhagyott, az elektromos és elektronikus berendezések újrahasznosítására szolgáló ponton kell elvégezni.

(ábra 10) Ez a termék megfelel az Európai Unió vonatkozó előírásainak.

(ábra 11) Ez a termék megfelel az Eurázsiai Gazdasági Unió vonatkozó előírásainak.

(ábra 12) Ez a termék megfelel a vonatkozó UkrSEPRO előírásoknak.

(ábra 13) Ez a termék megfelel a vonatkozó RCM előírásoknak. Csak Ausztráliára/Új-Zélandra vonatkozik

(ábra 14) A zajkibocsátás az EK irányelveknek megfelelő. A termék zajkibocsátási adatai megtalálhatók a *Műszaki adatok253. oldalon* című fejezetben és a címkén.

**IPX4** Fröccsenő víz ellen védett.  
**IPX4**

(ábra 19) Indítási eljárás: nyomja meg az ON/OFF gombot, lazítsa meg az indításgátlót, nyomja lefelé a motorfékfogantyút.

(ábra 15) A leállításhoz engedje el a motorfékfogantyút.

(ábra 16) Lassú

(ábra 17) Gyors

(ábra 18) Beolvasható kód

---

**Megjegyzés:** A terméken szereplő többi jel/címke egyes piacok specifikus vizsgáztatási követelményeire vonatkozik.

---

**Jelzés a terméken**

(ábra 20)

Tartsa távol kezét és lábát a forgó késektől.

## Termékszavatosság

A termékszavatosságra vonatkozó jogszabályok értelmében nem vagyunk felelősek a termékeink által okozott károkért az alábbi esetekben:

- a termék javítását helytelenül végezték;

- a termék javítása nem a gyártótól származó vagy általa jóváhagyott alkatrészekkel történt;
- a terméket nem a gyártótól származó vagy általa jóváhagyott kiegészítővel szerelték fel;
- a termék javítását nem hivatalos szakszerviz vagy jóváhagyott egyéb szerviz végezte.

---

## Biztonság

---

### Biztonsági meghatározások

A figyelmeztetések, óvintézkedések és megjegyzések a használati utasítás kiemelten fontos részeire hívják fel a figyelmet.



#### **FIGYELMEZTETÉS:**

Akkor használatos, ha a kézikönyv utasításainak be nem tartása esetén fennáll a kezelő vagy a közelben tartózkodók sérülésének vagy halálának veszélye.



#### **VIGYÁZAT:**

Akkor használatos, ha a kézikönyv utasításainak be nem tartása esetén fennáll a vagyoni kár, illetve a termék vagy a környező terület károsodásának veszélye.

---

**Megjegyzés:** További információt biztosít az adott helyzetben szükséges tennivalókról.

---

### Általános biztonsági utasítások



**FIGYELMEZTETÉS:** A termék használata előtt olvassa el az alábbi figyelmeztetéseket.

- Ez a termék veszélyes, ha helytelenül használja, vagy ha nem vigyáz. A biztonsági utasítások be nem tartása sérüléssel vagy halállal járhat.
- A termék működés közben elektromágneses mezőt hoz létre. Ez bizonyos körülmények esetén hatással lehet az aktív vagy passzív orvosi implantátumokra. A súlyos vagy halálos sérülés kockázatának csökkentése érdekében azt javasoljuk, hogy az orvosi implantátumot használó személyek a termék alkalmazása előtt kérjék ki orvosuk vagy az orvosi implantátum gyártójának tanácsát.
- Mindig megfontoltan és előrelátóan cselekedjen. Ha nem biztos benne, hogyan kell a terméket speciális

helyzetben üzemeltetni, akkor hagyja abba a tevékenységet, és beszéljen a Husqvarna kereskedőjével a folytatás előtt.

- Ne feledje, hogy a kezelő felelős a másokat és a mások tulajdonát érő balesetekért is.
- Tartsa tisztán a terméket. Ügyeljen arra, hogy a jelek és címkék jól olvashatóak legyenek.
- Soha ne engedje, hogy gyermekek vagy a kezelési utasításokat nem ismerő személyek használják a készüléket. A helyi rendelkezések adott esetben kezelési korhatárt szabhatnak meg
- Csökkent fizikai vagy szellemi képességekkel rendelkező személy csak felügyelet mellett használhatja a terméket. Egy felelős felnőttnek mindig jelen kell lennie.
- Ne használja a terméket, ha fáradt, beteg, illetve alkohol, drog vagy gyógyszer hatása alatt áll. Ez negatív hatással van a látására, az éberségére, a koordinációjára és az ítélőképességére.
- Ne használja a terméket, ha hibás.

- Ne változtassa meg a terméket, vagy ne használja, ha feltehetőleg valaki más változtatásokat hajtott végre rajta.

## A munkaterület biztonsága



**FIGYELMEZTETÉS:** A termék használata előtt olvassa el az alábbi figyelmeztetéseket.

---

- A termék használata előtt távolítsa el a különböző tárgyakat, például ágakat, gallyakat és köveket a munkaterületről.
- A vágószerkezetnek ütköző tárgyak elrepülve személyek vagy tárgyak sérülését okozhatják. A közelben állókat és az állatokat tartsa biztonságos távolságban a terméktől.
- Ne használja a terméket rossz időben, például ködben, esőben, erős szélben, nagy hidegben, villámlás veszélyes esetén. A termék rossz időjárási körülmények között vagy nyirkos, nedves helyeken történő használata fárasztó. A rossz időjárás veszélyes körülményeket, például csúszós felületeket okozhat.

- Ügyeljen az olyan személyekre, tárgyakra és helyzetekre, amelyek akadályozzák a termék biztonságos üzemeltetését.
- Ügyeljen az olyan akadályokra, mint a gyökerek, kövek, gallyak, gödrök és árkok. A magas fű akadályokat rejthet.
- A lejtőkön levő fű nyírása veszélyes lehet. Meredek lejtőkön/emelkedőkön ne nyírjon fűvet. Ne használja a terméket 15 foknál meredekebb lejtőn.
- Lejtős terepen rendkívül óvatosan váltson irányt. Az emelkedőknél/lejtőknel mindig oldalirányban működtesse a terméket. Ne haladjon felfelé vagy lefelé.
- Legyen körültekintő, ha olyan sarkok és tárgyak közelébe ér, amelyek gátolják a tiszta kilátást.

## Munkabiztonság



**FIGYELMEZTETÉS:** A termék használata előtt olvassa el az alábbi figyelmeztetéseket.

- történő használata nem megengedett.
- Használjon személyi védőfelszerelést. Lásd: *Személyi védőfelszerelés* 241. oldalon.
- Mindenképpen legyen tisztában azzal, hogy vészhelyzet esetén hogyan kell gyorsan leállítani a motort.
- Ne működtesse a terméket esős vagy nedves körülmények között. A termékbe jutó víz növeli az áramütés kockázatát.
- Ne használja a készüléket, hacsak a kés és az összes borítás nincs megfelelően rögzítve. A nem megfelelően rögzített kés kilazulhat, és személyi sérülést okozhat.
- Ügyeljen arra, hogy a kés ne ütközzön olyan tárgyakba, mint például kövek és gyökerek. Ez kárt tehet a késben, és meghajlíthatja a motor tengelyét. A meghajlott tengely erős rezgést okoz, és így nagyon nagy a kockázata annak, hogy a kés meglazul.
- Ha a kés valamilyen tárgynak ütközik vagy rezegni kezd, azonnal állítsa le a terméket. Állítsa le a motort, húzza fel a biztonsági kulcsot és távolítsa

- Ezt a terméket kizárólag füves pázsitok nyírására használja. A termék más feladatokra

- az akkumulátort. Ellenőrizze, hogy a termék sérülésmentes-e. Javítsa meg a sérüléseket, vagy végeztesse el a szakszervizzel a javításokat.
- Amikor a motor működésben van, soha ne rögzítse tartósan a motorfékfogantyút a fogantyúhoz.
  - Helyezze a terméket stabil, vízszintes felületre, és kapcsolja be. Gondoskodjon arról, hogy a kés ne ütközzön se a talajba, se egyéb tárgyakra.
  - Mindig maradjon a termék mögött, amikor működteti.
  - A termék üzemeltetése során minden kerék legyen a talajon, és tartsa két kézzel a fogantyút. Tartsa távol kezét és lábát a forgó késektől.
  - Ne döntse meg a terméket, ha a motor jár.
  - Legyen óvatos, amikor hátrafelé húzza a terméket.
  - Soha ne emelje fel a terméket, ha a motor jár. Ha mindenképpen fel kell emelnie a terméket, először állítsa le a motort, húzza fel a biztonsági kulcsot és távolítsa el az akkumulátort.
  - Ne sétáljon hátrafelé a termék működtetése során.
- Állítsa le a motort, ha olyan területeken halad át, ahol nincs fű, például kavicsos, kövezett és aszfaltozott járdákon.
  - Ne fusson a termékkel, ha a motor jár. Mindig sétáljon a termék működtetése során.
  - Mielőtt megváltoztatná a vágási magasságot, állítsa le a motort. Soha ne végezzen beállításokat, amikor a motor jár.
  - Soha ne hagyja a terméket felügyelet nélkül járó motor esetén. Állítsa le a motort és győződjön meg arról, hogy a vágószerkezet nem forog.

Biztonsági utasítások az üzemeltetéshez

### Személyi védőfelszerelés



**FIGYELMEZTETÉS:** A termék használata előtt olvassa el az alábbi figyelmeztetéseket.

- A személyi védőfelszerelés nem küszöböli ki teljes mértékben a sérülés kockázatát, de csökkenti a sérülés mértékét, ha bekövetkezik a baleset. A megfelelő felszerelés kiválasztásában kérje a kereskedő segítségét.

- Használjon nagy teherbírású, csúszásmentes bakancsot vagy cipőt. Ne használja nyitott cipőben vagy mezítláb a terméket.
- Viseljen vastag, hosszú szárú nadrágot.
- Viseljen védőkesztyűt, például a vágószerkezet felhelyezésekor, ellenőrzésekor vagy tisztításakor.

## Biztonsági eszközök a terméken



**FIGYELMEZTETÉS:** A termék használata előtt olvassa el az alábbi figyelmeztetéseket.

- Ne használjon olyan terméket, amelynek hibásak a biztonsági eszközei.
- Rendszeresen ellenőrizze a biztonsági eszközöket. A biztonsági eszköz meghibásodása esetén vegye fel a kapcsolatot a Husqvarna szervizműhellyel.

## A vágóburkolat ellenőrzése

A vágóburkolat csökkenti a termék rezgését és a kés okozta sérülések kockázatát.

- Vizsgálja meg a vágóburkolatot, hogy nincs

rajta sérülés, például repedés.

## Biztonsági kulcs

A biztonsági kulcs az akkumulátorfedél alatt helyezkedik el. A biztonsági kulcs csatlakoztatja a motort ellátó akkumulátort.

## A biztonsági kulcs ellenőrzése

A biztonsági kulcs csatlakoztatja a motort ellátó akkumulátort.

- Indítsa el, majd állítsa le a motort. Ha a biztonsági kulcs megfelelően működik, a motor csak akkor indítható be, ha a kulcs a biztonsági zárban van.

## Motorfékfogantyú

A motorfékfogantyú a motor leállítására szolgál. Ha elengedi a motorfékfogantyút, a motor leáll.

A motorfék ellenőrzéséhez indítsa el a motort, majd engedje el a motorfékfogantyút. Ha a motor 3 másodpercen belül nem áll le, állíttassa be egy hivatalos Husqvarna szakszervizben a motorféket.

(ábra 21)

## Az indításgátló ellenőrzése

Bizonyosodjon meg arról, hogy az indításgátló megakadályozza a motor elindulását.

1. Nyomja a motorfékfogantyút a fogantyú irányába. Az indításgátló megakadályozza a mozgást.
2. Nyomja kifelé az indításgátlót. (ábra 22)
3. Engedje ki az indításgátlót, és győződjön meg arról, hogy az visszatér alaphelyzetbe.

## Az akkumulátorral kapcsolatos biztonsági előírások



**FIGYELMEZTETÉS:** A termék használata előtt olvassa el az alábbi figyelmeztetéseket.

- az akkumulátorsarukat kulcsokhoz, érmékhez, csavarokhoz vagy egyéb fémhez. Ez az akkumulátor rövidzárlatát okozhatja.
  - Ne tegyen tárgyakat az akkumulátor szellőzőnyílásaiba.
  - Tartsa távol az akkumulátort a közvetlen napsütéstől, hőtől és nyílt lángtól. Az akkumulátor felrobbanhat, és súlyos égési, illetve vegyi égési sérüléseket okozhat.
  - Tartsa az akkumulátort esős, nedves környezettől távol.
  - Tartsa az akkumulátort mikrohullámoktól és magas nyomástól távol.
  - Soha ne próbálkozzon az akkumulátor szétszerelésével vagy széttörésével.
  - Ha az akkumulátor szivárog, ne hagyja, hogy a folyadék bőrre vagy szembe kerüljön. Ha a folyadékhoz ért, nagy mennyiségű vízzel tisztítsa meg az adott testfelületet, és forduljon orvoshoz.
  - Az akkumulátort  $-10\text{ °C}$  és  $40\text{ °C}$  közötti hőmérsékleten használja.
  - Soha ne tisztítsa vízzel az akkumulátort vagy az akkumulátortöltőt. Lásd: *Az akkumulátor és az*
- A Husqvarna tölthető akkumulátorokat csak a kompatibilis Husqvarna termékek tápellátására használja. Ne használja az akkumulátort más eszközök áramforrásaként, mivel ez balesetveszélyes.
  - Ne használjon nem újratölthető akkumulátorokat.
  - Elektromos áramütés veszélye. Ne csatlakoztassa

*akkumulátortöltő tisztítása* 251. oldal.

- Ne használjon meghibásodott vagy sérült akkumulátort.
- A tárolás során tartsa az akkumulátorokat távol a fém tárgyaktól, például szegektől, érméktől, ékszerektől.

## Az akkumulátortöltő készülék biztonsága



**FIGYELMEZTETÉS:** A termék használata előtt olvassa el az alábbi figyelmeztetéseket.

- A QC akkumulátortöltőket csak a Husqvarna csereakkumulátorok töltésére használja.
- Áramütés vagy rövidzárlat veszélye. Ne tegyen tárgyakat a töltő szellőzőnyílásaiba. Ne próbálkozzon az akkumulátortöltő szétszerelésével. Ne érintsen a töltő csatlakozóihoz fémtárgyat. Használjon jóváhagyott hálózati aljzatot.
- A termék működés közben elektromágneses mezőt hoz létre. Ez bizonyos körülmények esetén hatással lehet az aktív vagy passzív orvosi implantátumokra. A súlyos vagy halálos sérülés

kockázatának csökkentése érdekében azt javasoljuk, hogy az orvosi implantátumot használó személyek a termék alkalmazása előtt kérjék ki orvosuk vagy az orvosi implantátum gyártójának tanácsát.

- Rendszeresen ellenőrizze, hogy az akkumulátortöltő tápkábele nem sérült-e, és hogy nincs rajta repedés.
- Ne emelje fel az akkumulátortöltőt a tápkábelnél fogva. Az akkumulátortöltő fali aljzatból történő kihúzásához a dugaszt húzza. Ne a hálózati tápkábelt húzza.
- Tartsa távol a hálózati tápkábelt és a hosszabbítókábelt a víztől, az olajtól és az éles élektől. Ügyeljen rá, hogy a kábel ne csípődjön be ajtóba, korlátba vagy hasonló tárgyba. Ilyen esetben a töltő feszültség alá kerülhet.
- Soha ne tisztítsa vízzel az akkumulátortöltőt.
- Az akkumulátortöltőt 8 éven felüli gyermekek, illetve csökkent fizikai, érzékelési vagy szellemi képességekkel rendelkező, vagy az akkumulátortöltő



működtetésében járatlan személyek is használhatják, amennyiben ezt felügyelet mellett teszik, illetve ismerik a készülék biztonságos működtetésének módját és az azzal járó veszélyeket.

Gyermekek nem játszhatnak az akkumulátortöltővel.

Gyermekek csak felügyelet mellett végezhetnek tisztítást és karbantartást.

- Ne töltsön nem újratölthető akkumulátorokat a töltővel.
- Ne használja az akkumulátortöltőt gyúlékony anyagok vagy olyan anyagok közelében, amelyek korróziót okozhatnak. Ne takarja le a töltőkészüléket. Amennyiben a töltő füstölni vagy égni kezdene, húzza ki a dugóját.
- Ne használjon meghibásodott vagy sérült akkumulátortöltőt.
- Az akkumulátort csak jó szellőzésű helyiségben, napfénytől távol töltsen. Ne töltsen az akkumulátort nedves körülmények között.

## Biztonsági utasítások a karbantartáshoz



**FIGYELMEZTETÉS:** A termék használata előtt olvassa el az alábbi figyelmeztetéseket.

- Karbantartás előtt vegye ki a biztonsági kulcsot.
- A termék élettartamának növelése és a balesetveszély elkerülése érdekében végezze el szakszerűen a karbantartási műveleteket. Bízva hivatalos szervizműhelyre a professzionális javítást. Bővebb információért forduljon a legközelebbi szakszervizhez.
- Csak a felhasználói kézikönyvben megadott karbantartást végezze el.
- A vágószerkezet használata során viseljen strapabíró védőkesztyűt. A kés nagyon éles, könnyen megvághatja magát.
- A legjobb és legbiztonságosabb teljesítmény érdekében tartsa a vágóéleket élesen és tisztán.
- Rendszeresen ellenőriztesse a gépet a szakszervizzel, és végeztesse el a szükséges beállításokat és javításokat.
- A sérült, kopott vagy törött alkatrészt cserélje ki.
- Kövesse a tartozékcsere vonatkozó utasításokat. Kizárólag a gyártótól származó tartozékokat használja.

- Ha nincs használatban, tartsa a terméket, az akkumulátort és az akkumulátortöltőt elkülönítve egy száraz, beltéri és zárt területen. Gondoskodjon róla, hogy

gyermek és felhatalmazással nem bíró személyek ne férhessenek hozzá a termékhez, az akkumulátorhoz és az akkumulátortöltőhöz.

---

## Összeszerelés

---

### Bevezető



**FIGYELMEZTETÉS:** Figyelmesen olvassa el a biztonságról szóló fejezetet, mielőtt összeállítaná a terméket.

### A többmodulos akkumulátor (tartozék) be- és kiserelése

1. Távolítsa el a motorburkolat 4 gumiburkolatát és a 4 csavart. (ábra 23)
2. Helyezze az adapterlemezt a motorburkolatra.
3. Rögzítse az adapterlemezt a 4 mellékelt csavarral 5–6 Nm meghúzási nyomatékkal. (ábra 24)
4. Nyissa fel az akkumulátorfedelet.
5. Távolítsa el az akkumulátort az 1. nyílásból. (ábra 25)
6. Távolítsa el a tömítésűtközőt. (ábra 26)
7. Nyomja az akkumulátoradapert az akkumulátorrekeszbe, amíg egy kattánást nem hall. (ábra 27)
8. Vezesse át az akkumulátoradapter kábelét a tömítésűtköző furatán. Rögzítse a kábelt a csipőpánt segítségével. (ábra 28)
9. Szerelje fel a többmodulos akkumulátort az akkumulátoradapterre.
10. Csatlakoztassa a többmodulos akkumulátort az akkumulátoradapterhez. (ábra 29)
11. Csatlakoztassa az akkumulátoradapter kábelét a fogantyúra a 3 szövetpánttal. (ábra 30)
12. A többmodulos akkumulátor eltávolításához végezze el ugyanezt a folyamatot fordítva.



**FIGYELMEZTETÉS:** A kábelt ne rögzítse túl lazán a fogantyúra. A kábel leválhat a fogantyúról, és sérülést okozhat.

### A fogantyú összeszerelése (LC 551iV)

1. Lazítsa meg az alsó csavarokat.
2. A gombokat a termék bal és jobb oldalán is csúsztassa a hornyok alsó végébe. (ábra 31)

3. Állítsa a fogantyú magasságát a két lehetséges pozíció egyikébe.
4. A gombokat ütközésig csúsztassa a fogantyú irányába, amíg egy kattánót nem hall. (ábra 32)
5. Teljesen húzza meg a gombokat.

### A fogantyú összeszerelése (LB 548i)

1. Távolítsa el a fogantyúanyát és az alátétet a felső fogantyún található lemezről.
2. Helyezze a felső fogantyút az alsó fogantyúra.



**VIGYÁZAT:** Ügyeljen arra, hogy a vezetékek ne akadjanak be és ne sérüljenek meg.

3. Rögzítse az alátétet és a fogantyú állító kart. (ábra 33)
4. Fal mentén történő használat esetén a fogantyú oldalra fordításával megfelelő működési pozícióba állíthatja a terméket. (ábra 34)

### A fűgyűjtő doboz felszerelése (LC 551iV)

1. Rögzítse a fűgyűjtő keretét a fűzsákban úgy, hogy a fűzsák merev része alul legyen. A keret fogantyúja a fűzsák tetején legyen. (ábra 35)
2. Illessze a fűgyűjtő keret alsó részét a fűgyűjtő alján lévő vajatba.
3. A kapcsokkal rögzítse a fűzsákot a fűgyűjtő kerethez. (ábra 36)
4. Emelje fel a hátsó burkolatot.
5. Csatlakoztassa a fűgyűjtőt a vázszekrény felső széléhez.
6. Helyezze a fűgyűjtő alsó részét a fűkidobó csatornába. (ábra 37)

### A mulcsozó dugó összeszerelése (LC 551iV tartozék)

1. Emelje fel a hátsó burkolatot, és vegye ki a fűgyűjtőt.
2. Helyezze a mulcsozó dugót a fűkidobó csatornába. (ábra 38)

3. Cserélje ki a kést a mulcsozókészlethez mellékelt mulcsozókéssre. Lásd: *A kés cseréje*250. oldalon.

## Üzemeltetés

### Bevezető



**FIGYELMEZTETÉS:** A termék működtetése előtt el kell olvasnia és meg kell értenie a biztonságról szóló fejezetet.

### Husqvarna Connect

A Husqvarna Connect egy ingyenes mobilalkalmazás. A Husqvarna Connect alkalmazás kibővített funkciókat biztosít Husqvarna termékéhez:

- Bővebb termékinformációk.
- Információk és segítség a termékkatrészekkel és a szervizeléssel kapcsolatban.

### A Husqvarna Connect használatának megkezdése

1. Töltse le a Husqvarna Connect alkalmazást mobil eszközére.
2. Regisztráljon egy fiókot a Husqvarna Connect alkalmazásban.
3. A termék csatlakoztatásához és regisztrálásához kövesse a Husqvarna Connect alkalmazásban megjelenő utasításokat.

### Husqvarna Fleet Services™

A Husqvarna Fleet Services™ egy felhőalapú megoldás, amely áttekintést nyújt az összes termékről a kereskedelmi flottakezelő számára. A Husqvarna Fleet Services™ szolgáltatás mellékelve van az LC 551IV robotfűnyíróhoz. A Husqvarna Fleet Services™ szolgáltatásra vonatkozó további információért látogasson el a [www.husqvarna.com](http://www.husqvarna.com) weboldalra.

### Az érzékelő (tartozék) előkészítése

1. Nyissa fel az érzékelő fedelét az érzékelőkulccsal. (ábra 39)
2. Távolítsa el az érzékelőt.
3. Csatlakoztassa az akkumulátort az érzékelőhöz. Az érzékelő LED-jelzőfénye kigyullad. (ábra 40)
4. Töltse le a Husqvarna Fleet Services™ alkalmazást.
5. Jelentkezzen be a Husqvarna Fleet Services™ alkalmazásba.
6. Végezze el a párosítási folyamatot. Lásd: *Az alkalmazás és a termék párosítása*247. oldalon

### Az alkalmazás és a termék párosítása

1. Jelentkezzen be a Husqvarna Fleet Services™ alkalmazásba.
2. Válassza ki termékét az alkalmazásban.

3. Az érzékelő az alkalmazásban való telepítéséhez olvassa be az érzékelő mögött található kódot mobil eszközével.

**Megjegyzés:** Az alkalmazás és a termék közötti párosítási folyamatot csak egyszer kell elvégezni.

### Az érzékelő beszerelése

1. Győződjön meg róla, hogy az érzékelő csatlakoztatva van-e a Husqvarna Fleet Services™ alkalmazáshoz. Lásd: *Az alkalmazás és a termék párosítása*247. oldalon.
2. Fúrjon 2 lyukat a burkolat nyílásában lévő jelöléseknél. (ábra 41)

**Megjegyzés:** Ügyeljen rá, hogy a furatok mérete egyezzen az érzékelőhöz mellékelt szegecsekével.

3. Egy fogó segítségével távolítsa el az érzékelő nyílásának külső furatát. (ábra 42)
4. Fúrjon két lyukat az érzékelőnyílásban lévő jelöléseknél. (ábra 43)
5. Igazítsa az érzékelőnyílást a burkolat nyíláshoz. (ábra 44)
6. Rögzítse az érzékelőnyílást a szegecsekkel.
7. Szerelje be az érzékelőt az érzékelőnyílásba. Igazítsa az érzékelő fehér jelölését az érzékelőnyíláson található jelöléshez. (ábra 45)
8. Csukja le az érzékelő fedelét, és zárja be az érzékelőkulccsal. Ügyeljen rá, hogy a „H” Husqvarna teteje elfele nézzen a biztonsági kulctól. (ábra 46)

### A termék működési pozícióba állítása (LC 551IV)

1. Emelje a fogantyút a legfelső pozícióba. (ábra 47)
2. A gombokat ütközésig csúsztassa a fogantyú irányába, amíg egy kattánót nem hall. (ábra 32)
3. Teljesen húzza meg a gombokat.

### A vágási magasság beállítása

A vágási magasság 6 különböző szintre állítható.

1. A vágási magasság növeléséhez nyomja a vágási magasság-szabályozót a kerék irányába, majd nyomja hátrafelé.
2. A vágási magasság csökkentéséhez nyomja a vágási magasság-szabályozót a kerék irányába, majd nyomja előre felé. (ábra 48)



**VIGYÁZAT:** Ne állítsa túl alacsonyra a vágási magasságot. A kések a talajba ütközhetnek, ha a pázsit felülete nem egyenletes.

## Akkumulátor



**FIGYELMEZTETÉS:** Az akkumulátor használata előtt el kell olvasnia és meg kell értenie a biztonságról szóló fejezetet. Olvassa el figyelmesen az akkumulátorhoz és az akkumulátortöltőhöz mellékelt használati útmutatót is.

## Akkumulátorállapot

A kijelző jelzi az akkumulátor töltöttségét, valamint azt, hogy van-e valami probléma az akkumulátorral. Az akkumulátortöltöttség jelzése 5 másodpercig látható a termék kikapcsolása, illetve az akkumulátorjelző gomb megnyomása után. Hiba esetén az akkumulátor figyelmeztető lámpája világít. Lásd: *Akkumulátor251. oldalon.*

(ábra 49)

LED lámpák	Akkumulátorállapot
Minden LED világít	Teljes töltöttség (75–100%)
Az 1., 2. és 3. LED világít	Az akkumulátor töltöttsége 50–75%-os
Az 1. és 2. LED világít	Az akkumulátor töltöttsége 25–50%-os
Az 1. LED világít	Az akkumulátor töltöttsége 0–25%-os
Az 1. LED villog.	Az akkumulátor lemerült. Töltse fel az akkumulátort.

## Az akkumulátor töltése

Az első használat előtt töltse fel az akkumulátort. Az akkumulátor gyárilag csak 30%-ra van feltöltve.

**Megjegyzés:** Az akkumulátortöltőt a típusátlán szereplő feszültségű és frekvenciájú áramforráshoz kell csatlakoztatni.

Ha az akkumulátor hőmérséklete 50 °C felett van, a töltés nem indul el. Az akkumulátortöltő csökkenti az akkumulátor hőmérsékletét, mielőtt megkezdené annak töltését.

1. Csatlakoztassa az akkumulátortöltőhöz való tápkábel egyik végét az akkumulátortöltő aljzatához.
2. Csatlakoztassa az akkumulátortöltőhöz való tápkábel másik végét egy földelt hálózati aljzathoz. Egyszer zölden felvillan a töltő LED-je. (ábra 50)

3. Helyezze az akkumulátort a töltőbe. Az akkumulátor és a töltő közötti helyes érintkezésről a töltőn lévő zöld lámpa világítása tanúskodik. (ábra 51)
4. Ha az akkumulátoron az összes LED világít, az akkumulátor teljesen fel van töltve. Az akkumulátor legfeljebb 24 óráig töltse.
5. Az akkumulátortöltő fali aljzathoz történő kihúzásához a dugaszt húzza, ne a tápkábelt.
6. Vegye ki az akkumulátort a töltőből.

## Akkumulátortöltési állapot

A Husqvarna lítiumion-akkumulátorok bármilyen töltöttségi szintnél tölthetők vagy használhatók. Ez nem árt az akkumulátornak. A teljesen feltöltött akkumulátor a töltőkészülékben hagyva sem veszít a töltöttségéből.

LED-es kijelző	Töltési állapot
Az 1. LED villog.	0%–25%
Az 1. LED világít, a 2. LED villog	25%–50%
Az 1. és 2. LED világít, a 3. LED villog.	50%–75%
Az 1., 2. és 3. LED világít, a 4. LED villog.	75%–100%
Az 1., 2., 3. és 4. LED világít	Teljesen feltöltve

## A többmodulos akkumulátor töltése

**Megjegyzés:** Az első használat előtt töltse fel az akkumulátort. Az új akkumulátorok csak 30%-ra vannak feltöltve.

1. Ellenőrizze, hogy az akkumulátor teljesen száraz-e.
2. Csatlakoztassa a többmodulos akkumulátort az adapterhez. (ábra 52)
3. Helyezze az adaptert a töltőkészülékbe.
4. Ellenőrizze, hogy az akkumulátortöltőn lévő zöld töltésjelző LED világít-e. Ez azt jelenti, hogy az adapter és a többmodulos akkumulátor megfelelően van csatlakoztatva. (ábra 53)
5. Ha az akkumulátoron az összes LED világít és az adapteren 100%-os érték látható, az akkumulátor teljesen fel van töltve. (ábra 54)

Az adapter a töltöttségi állapotot 1%-os léptékkal mutatja. A töltés kezdetekor esetlegesen kisebb eltérések tapasztalhatók.

6. Az akkumulátortöltő fali aljzathoz történő kihúzásához a dugaszt húzza. Ne a kábelt húzza.
7. Vegye ki az adaptert az akkumulátortöltőből.
8. Vegye ki a többmodulos akkumulátort az adapterből.

**Megjegyzés:** További információkért tekintse át a többmodulos akkumulátor és az akkumulátortöltő használati utasítását.

## A termék elindítása

1. Emelje fel az akkumulátorfedelelet.
2. Helyezzen egy feltöltött akkumulátort az akkumulátorfedél alatti 1. számú akkumulátornyílásba. A hosszabb üzemidő érdekében tegyen egy második feltöltött akkumulátort a 2. számú akkumulátornyílásba.
3. Válassza le a biztonsági kulcsot a biztonsági kulcstartóról.
4. Nyomja be a biztonsági kulcsot a biztonsági zárba. (ábra 55)
5. Maradjon a termék mögött.
6. Nyomja meg a vezérlőpanelen lévő ON/OFF gombot. A kijelző világítani kezd.
7. Oldja ki az indításgátlót. (ábra 22)
8. Nyomja a motorfékfogantyút a fogantyú irányába. (ábra 56)

## A kerekeken levő meghajtó használata (LC 551iV)

- A meghajtás indításához húzza a kerékajtás kapcsoló kart a fogantyú irányába. (ábra 57)
- A vezérlőpanel + és - gombjainak megnyomásával 4 lépésben állíthatja a haladási sebességet. (ábra 58)
- Engedje el a kerékajtás kapcsoló kart, hogy kikapcsolja a meghajtást, például amikor akadály közelébe ér.

## A SavE funkció használata

A termék akkumulátorkímélő funkcióval (SavE) rendelkezik, amely hosszabb üzemidőt biztosít.

1. A funkció elindításához nyomja meg a SavE gombot (A). A kijelzőn lévő SavE szimbólum (B) világítani kezd.
2. A SavE funkció leállításához nyomja meg ismét a gombot. A kijelzőn lévő SavE szimbólum (B) kialszik. (ábra 59)

A SavE funkció automatikusan leáll, ha a talajkörülmények nagyobb teljesítményt követelnek meg.

A SavE funkció automatikusan újra bekapcsol, ha a talajkörülmények lehetővé teszik.

## PowerBoost funkció

Ha a termékkel hosszú vagy nedves fűvet vág, a motor automatikusan növeli a fordulatszámot. Az akkumulátor kímélése érdekében a motor automatikusan visszakapcsol normál üzemmódba, ha nincs szükség a PowerBoost funkcióra.

## A termék leállítása

A termék automatikusan leáll, ha 3 percig nem használja.

1. A motor leállításához engedje fel a motorfékfogantyút. (ábra 21)
2. Nyomja meg a vezérlőpanelen lévő ON/OFF gombot. A kijelzőn lévő összes fény és szimbólum kialszik. (ábra 60)
3. Vegye ki a biztonsági kulcsot a biztonsági zárból, és tegye a biztonsági kulcstartóba.

## Megfelelő eredmény elérése

- Használjon mindig éles kést. A tompa kés egyenetlen eredményt ad, és a fű vágási felülete megsárgul. Az éles kés egyben kevesebb energiát igényel, mint a tompa kés.
- Ne nyírjon le többet a fű hosszának  $\frac{1}{3}$ -ánál. Először nagy vágási magasságot állítson be, és úgy nyírjon. Vizsgálja meg az eredményt, és csökkentse a vágási magasságot egy megfelelő szintre. Ha nagyon magas a fű, lassan és szükség esetén 2-szer nyírjon.
- Minden alkalommal más irányban haladjon, hogy ne alakuljanak ki sávok a pázsiton.

## Fű vágása fűgyűjtő vagy mulcsozó dugó nélkül (LC 551iV)

1. Emelje fel a hátsó burkolatot, és vegye ki a fűgyűjtőt.
2. Ha van felszerelve mulcsozó dugó és mulcsozókés, szerelje le azokat.
3. Zárja le a hátsó burkolatot, mielőtt használni kezdené a terméket.

A termék használatakor a levágott fű a hátsó burkolat alatt ürül.

## Karbantartás

### Bevezető



**FIGYELMEZTETÉS:** Karbantartás előtt el kell olvasnia és meg kell értenie a biztonságról szóló fejezetet.

A gépen végzett minden szerviz- és javítási munkálat szakképzettséget igényel. Garantáljuk a professzionális

javítások és szervizelés lehetőségét. Ha viszonteladója nem szervizműhely, forduljon hozzájuk a legközelebbi szervizműhellyel kapcsolatban.

### Karbantartási terv

A karbantartási intervallumok meghatározásakor a termék napi használatát feltételeztük. Az intervallum

változik, ha a terméket nem napi rendszerességgel használja.

A \* szimbólummal jelölt karbantartási műveletekkel kapcsolatban lásd: *Biztonsági utasítások az üzemeltetéshez* 241. oldalon.

	Minden használat során	Havonta	Évszakonként
Végezzen általános ellenőrzés	X		
Tisztítsa meg a hajtóműfedeleket. Ellenőrizze, hogy a motoron nem rakódott-e le a fű	X		
Ellenőrizze az indításgátlót *	X		
Ellenőrizze, hogy nem hibásak-e a termék biztonsági eszközei *	X		
Ellenőrizze, hogy nem észlelhető-e kopás vagy minőségromlás a fűgyűjtőn	X		
Ellenőrizze a vágószerkezetet	X		
Ellenőrizze a vágóburkolatot *	X		
Ellenőrizze a motorfékfogantyút *	X		
Győződjön meg az ON/OFF gomb megfelelő, hibátlan működéséről	X		
Ellenőrizze, nem sérült-e az akkumulátor	X		
Ellenőrizze az akkumulátor töltöttségét	X		
Ellenőrizze, működnek-e az akkumulátor kioldógombjai, és megfelelően rögzül-e az akkumulátor a termékben	X		
Tisztítsa meg a levegőbeömlő nyílásokat. Ellenőrizze, hogy a levegőbeömlő nyílásokon nem rakódott-e le a fű vagy szennyeződés	X		
Ellenőrizze az akkumulátortöltő épségét; győződjön meg arról, hogy megfelelően működik-e		X	
Ellenőrizze az akkumulátor és a termék közötti csatlakozásokat. Ellenőrizze az akkumulátor és az akkumulátortöltő közötti csatlakozásokat is			X

## Általános ellenőrzés

- Ellenőrizze, hogy az anyák és csavarok megvannak-e szorítva a terméken.
- Ellenőrizze, hogy a termék kábelei úgy helyezkednek-e el, hogy ne tudjanak megsérülni.

## A kés cseréje

1. Rögzítse a kést egy fadarabbal. (ábra 61)
2. Távolítsa el a késtartó csavart, a rugós alátétet és a kést. (ábra 62)
3. Ellenőrizze, hogy a késtámasz és a késtartó csavar nem sérült-e meg.
  - a) A kés vagy a késtámasz cseréje esetén a késtartó csavart, a rugós alátétet és a súrlódótárcsát is ki kell cserélni.
4. Ellenőrizze a motor tengelyét, hogy nincs-e meghajolva.

5. Az új kés rögzítésekor ügyeljen arra, hogy a hajlítót végek a vágóburkolat felé nézzenek. (ábra 63)
6. Helyezze a súrlódótárcsát és a kést a késtámaszhoz. (ábra 64)
7. Győződjön meg róla, hogy a kés igazodik-e a motortengely középpontjához. (ábra 65)
8. Rögzítse a kést egy fadarabbal. (ábra 66)
9. Helyezze fel a rugós alátétet, és húzza meg a csavart 65-75 Nm nyomatékkal. (ábra 67)
10. Forgassa meg a kést kézzel, és figyelje, hogy szabadon forog-e.



**FIGYELMEZTETÉS:** Használjon védőkesztyűt. A kés nagyon éles, könnyen megvághatja magát.

11. Indítsa be a terméket, hogy tesztelje a kést. Ha a kés nincs megfelelően rögzítve, a termékben rezgés tapasztalható, vagy a vágási eredmény nem kielégítő.

## A termék tisztítása

- A műanyag részeket tiszta, száraz törlőkendővel tisztítsa.
- A termék tisztításához ne használjon vizet. A víz az akkumulátorba vagy a motorba jutva azok rövidzárlatát vagy a termék károsodását okozhatja.
- Ne használjon nagynyomású mosót a termék tisztításához.
- Ne irányítsa a vízsugarat közvetlenül a motorra.
- Kefével távolítsa el a leveleket, a fűvet és az egyéb szennyeződéseket.

## Az akkumulátor és az akkumulátortöltő tisztítása



**VIGYÁZAT:** Soha ne tisztítsa vízzel az akkumulátort vagy az akkumulátortöltőt.

- Mielőtt az akkumulátort a töltőkészülékbe helyezné, győződjön meg róla, hogy az akkumulátor és az akkumulátortöltő tiszta és száraz-e.
- Az akkumulátorsaruk tisztítását sűrített levegővel vagy egy puha és száraz ruhával végezze.
- Az akkumulátor és a töltőkészülék felületének tisztítását puha és száraz ruhával végezze.

## A vágószerkezet ellenőrzése



**FIGYELMEZTETÉS:** A véletlen beindítás elkerülése érdekében húzza fel a biztonsági kulcsot, vegye ki az akkumulátort és várjon legalább 5 másodpercet.



**FIGYELMEZTETÉS:** A vágószerkezet karbantartásakor használjon védőkesztyűt. A kés nagyon éles, könnyen megvághatja magát.

1. Ellenőrizze a vágószerkezetet sérülés, repedés szempontjából. Mindig cserélje ki a sérült vágószerkezetet.
2. Nézze meg a kést, hogy sérült-e vagy tompa-e.

**Megjegyzés:** A kés élezését követően ki kell egyensúlyozni. Végeztesse a kés élezését, cseréljét és kiegyensúlyozását szervizközponttal. Ha olyan akadályba ütközött, amely megállította a terméket, cserélje ki a sérült kést. Vizsgáltsa meg a szervizközpontban, hogy élezhető-e a kés, vagy pedig cserét igényel-e.

## Hibaelhárítás

### Akkumulátor

LED az akkumulátoron	Lehetséges hibák	Lehetséges eljárás
A zöld LED villog	Az akkumulátor feszültsége alacsony	Töltse fel az akkumulátort. Lásd: <i>Az akkumulátor töltése248. oldalon.</i>
Villog a hibajelző LED	Az akkumulátor töltöttségi szintje alacsony	Töltse fel az akkumulátort. Lásd: <i>Akkumulátor251. oldalon.</i>
	A munkakörnyezet hőmérséklete túl magas vagy túl alacsony	Az akkumulátort -10 °C és 40 °C közötti hőmérsékleten használja.
	Túlfeszültség	Ellenőrizze, hogy a hálózati feszültség megegyezik-e a termék adattábláján szereplő feszültséggel.  Vegye ki az akkumulátort a töltőből. Várjon 5 másodpercet, majd próbálja újra feltölteni az akkumulátort. Ha a probléma továbbra is fennáll, lépjen kapcsolatba egy hivatalos szakszervizzel.
A hibajelző LED világít	Túl nagy a cellák közti különbség (1 V)	Forduljon egy hivatalos szakszervizhez.

## Akkumulátortöltő

LED az akkumulátor-töltőn	Lehetséges hibák	Lehetséges eljárás
Villog a hibajelző LED	A munkakörnyezet hőmérséklete túl magas vagy túl alacsony	Az akkumulátortöltőt 5 °C és 40 °C közötti hőmérsékleten használja.
A hibajelző LED világít		Forduljon egy hivatalos szakszervizhez

## Vezérlőpanel

Hibakód (villanások száma)	Lehetséges hibák	Lehetséges eljárás
1	A hajtóműmotor túl forró.	Hagyja lehűlni a terméket. Ellenőrizze, hogy a hajtóművön nem rakódott-e le a fű. Szükség esetén tisztítsa meg a hajtóműfedelelet.
5	A motor fordulatszámja túlságosan lecsökken, majd a motor leáll.	Tisztítsa meg a vágóasztalt és növelje a vágási magasságot. Lásd: <i>A vágási magasság beállítása</i> 247. oldalon. Ha a hiba továbbra is fennáll, lépjen kapcsolatba hivatalos szervizműhelyével.
8	Az akkumulátor töltöttségi szintje alacsony.	Töltse fel az akkumulátort. Lásd: <i>Az akkumulátor töltése</i> 248. oldalon.
9	Akkumulátorhiba, vagy nincs jel az akkumulátortól.	Helyezze be megfelelően az akkumulátort, és ellenőrizze az akkumulátorcsatlakozót. Ha az akkumulátoron lévő hibajelző LED villog, lásd: <i>Akkumulátor</i> 248. oldalon.
10	A motor vezérlése túl forró.	Állítsa le a motort, és várjon, amíg lehül.
Egyéb hibák	Egyéb hibák esetén távolítsa el a biztonsági kulcsot és az akkumulátort, és forduljon egy hivatalos szervizműhelyhez.	

## Szállítás, tárolás és ártalmatlanítás

### Bevezető



**FIGYELMEZTETÉS:** A szállítás közbeni véletlen beindítás elkerülése érdekében húzza fel a biztonsági kulcsot, vegye ki az akkumulátort és várjon legalább 5 másodpercet.

### A termék szállítási pozícióba állítása (LC 551V)

1. Lazítsa meg az alsó csavarokat.
2. A gombokat a termék bal és jobb oldalán is csúsztassa a hornyok alsó végébe. (ábra 31)
3. Hajtsa előre a fogantyút. (ábra 68)
4. Vegye ki a fűgújtót.

### Szállítás

- A mellékelt lítium-ion akkumulátorokra a veszélyes anyagokra vonatkozó jogszabályok követelményei érvényesek.
- Kereskedelmi szállításnál be kell tartani a csomagoláson és címkéken szereplő speciális előírásokat.
- Ügyeljen rá, hogy betartsa a veszélyes anyagokra vonatkozó jogszabályokat a termék szállításra való előkészítésekor. Az esetleges helyi jogszabályokat is be kell tartani.
- Szállításhoz mindig vegye ki az akkumulátort.
- Tegyen ragasztószalagot az akkumulátor csatlakozóira, és gondoskodjon róla, hogy az akkumulátor ne mozdulhasson el a szállítás során.
- Szállításkor rögzítse a terméket.



## Tárolás

- Tároláshoz mindig vegye ki az akkumulátort.
- A baleset megelőzése érdekében tároláskor az akkumulátor ne csatlakozzon a termékhez.
- Az akkumulátortöltőt zárt, száraz helyen tárolja.
- Az akkumulátort és az akkumulátortöltőt száraz helyen tárolja, ahol nem alakul ki nedvesség vagy fagy.
- A tárolás során csatlakoztassa le az akkumulátort az akkumulátortöltőtől.
- Ne tartsa az akkumulátort olyan helyen, ahol elektrosztatikus töltés lehet jelen. Ne tartsa az akkumulátort fém dobozban.
- Olyan helyen tárolja az akkumulátort, ahol a hőmérséklet mindig 5 és 25 °C közé esik, és védve van a napfénytől.
- Olyan helyen tárolja az akkumulátortöltőt, ahol a hőmérséklet mindig 5 és 45 °C közé esik, és védve van a napfénytől.
- A hosszú ideig való tárolás előtt győződjön meg róla, hogy az akkumulátor legalább 30–50%-os töltöttségű.

- Tartsa a terméket, az akkumulátort és az akkumulátortöltőt gyermekektől és jogosulatlan személyektől elzárt területen.
- A hosszú ideig való tárolás előtt tisztítsa meg a terméket, és végezze el annak teljes karbantartását.

## Hulladékként való kezelés

A terméken vagy a csomagolásán található szimbólum azt jelzi, hogy ezt a terméket nem szabad a háztartási hulladék közé helyezni. A megfelelő újrafeldolgozó pontra el kell juttatni az elektromos és elektronikus berendezések hasznosítása érdekében.

A termék megfelelő kezelésének biztosításával segíthet kiküszöbölni azokat a környezetre és az emberre gyakorolt potenciális negatív hatásokat, amelyeket a termék helytelen hulladékkezelése okozhat. A termék újrahasznosításával kapcsolatban az önkormányzat, a hulladéktalmentesítési szolgáltatást végző vállalkozás, illetve a terméket értékesítő szakkereskedés nyújthat részletesebb tájékoztatást.

(ábra 69)

## Műszaki adatok

### Műszaki adatok

	LB 548i	LC 551V
<b>Nyírómotor</b>		
Motor típus	BLDC (kefe nélküli) 36 V	BLDC (kefe nélküli) 36 V
Motor fordulatszáma – SavE, ford./perc*	2600	2600
Motor fordulatszáma – Névleges, ford./perc*	3000	3000
Motor fordulatszáma – nagy terhelés, ford./perc*	3300	3300
Motor teljesítménye – max. kW	1,8	1,8
Motor teljesítménye – névleges, kW	1,5	1,5
<b>Hajtómotor</b>		
Motor teljesítménye – névleges, kW	N/A	0,3
Önjárás sebessége, km/h	N/A	3,0-5,0
Sebességfokozatok száma	N/A	4
<b>Tömeg</b>		
Tömeg akkumulátor nélkül, kg	31	41
<b>Akkumulátor</b>		
Akkumulátor típusa	Husqvarna akkumulátor sorozat	Husqvarna akkumulátor sorozat
<b>Akkumulátor üzemideje</b>		
Akkumulátor üzemidő, min., (üresjárat) SavE funkcióval, egy 5,2 Ah-s Husqvarna (Bli200) akkumulátorral.	40	30

	LB 548i	LC 551iV
Akkumulátor üzemidő, min., (üresjárat) normál üzemmódban, egy 5,2 Ah-s Husqvarna (BLi200) akkumulátorral.	30	20
<b>Zajkibocsátás</b> <sup>34</sup>		
Hangteljesítményszint, mért dB (A) érték	93	97
Hangteljesítményszint, garantált, L <sub>WA</sub> dB (A)	93	97
<b>Zajszintek</b> <sup>35</sup>		
Hangnyomásszint a felhasználó fülénél, dB (A)	80	84
<b>Rezgésszintek</b> <sup>36</sup>		
Fogantyú, m/s <sup>2</sup>	0,3	0,3
<b>Vágószerkezet</b>		
Vágási magasság, mm	20-75	20-75
Vágási szélesség, cm	48	51
Standard kés	Mulcsozókés 597466510	Gyűjtőkés 597466310
Tartozék kés	n.a.	Mulcsozókés 597466410
Fűgyűjtő úrtartalma, l	n.a.	65

\* Percenkénti fordulatszám

Jóváhagyott akkumulátorok	Típus	Akkumulátor kapacitása, Ah	Feszültség, V	Tömeg, kg
BLi20	Lítium-ion	4,0	36	2,6/1,2
BLi200	Lítium-ion	5,2	36	2,8/1,3
BLi300	Lítium-ion	9,4	36	4,1/1,9
BLi550X	Lítium-ion	15,6	36	12,4/5,6
BLi950X	Lítium-ion	31,1	36	15,4/7,0

A megadott akkumulátorokhoz jóváhagyott töltők, BLi	Bemeneti feszültség, V	Frekvencia, Hz	Teljesítmény, W
QC80	100-240	50-60	80
QC80F	12	0	80
QC330	100-240	50-60	330

<sup>34</sup> A környezetben a 2000/14/EK sz. EK irányelvvel összhangban hangteljesítményként mért zajkibocsátás (L<sub>WA</sub>).

<sup>35</sup> A zajnyomásszintre vonatkozó jelentési adatok az 1,2 dB (A) tipikus statisztikus ingadozásával (szórásával) rendelkeznek.

<sup>36</sup> A rezgésszintre vonatkozó jelentési adatok az 0,2 m/s<sup>2</sup> tipikus statisztikus ingadozásával (szórásával) rendelkeznek. EN 60335-2-77:2017 vibrációs szabvány, 20.105. fejezet

A megadott akkumulátorokhoz jóváhagyott töltők, BLi	Bemeneti feszültség, V	Frekvencia, Hz	Teljesítmény, W
QC500	100-240	50-60	500

**KEES VAN DER SPEK**  
TUINMACHINES ★ STOLWIJK

---

# EK megfeleléségi nyilatkozat

---

## EK megfeleléségi nyilatkozat

A **Husqvarna AB**, SE-561 82 Huskvarna, Svédország,  
tel: +46-36-146500, kijelenti, hogy a **Husqvarna LB 548i**,  
**LC 551iV** fűnyírók a 2019 évtől kezdődően megfelelnek  
az EGK TANÁCSA következő IRÁNYELVEINEK:

- a 2011. június 8-i, „egyes veszélyes anyagok alkalmazásának korlátozására vonatkozó” irányelv **2011/65/EU**
- a 2006. május 17-i, „gépekre vonatkozó” irányelv **2006/42/EK**
- a 2014. február 26-i, „elektromágneses megfelelésséggel kapcsolatos” irányelv **2014/30/EU**
- a 2000. május 8-i, „környezeti zajkibocsátással kapcsolatos” irányelv **2000/14/EK**

A zajkibocsátásra vonatkozó tájékoztatást lásd a  
Műszaki adatok című fejezetben.

A következő szabványok kerültek alkalmazásra:

**IEC 60335-1:2010, IEC 60335-2-77:2002, EN  
60335-1:2012, EN 60335-2-77:2010 EN/IEC  
62233:2008 EN 61000-6-3:2005 EN 61000-6-1:2005**

Eltérő rendelkezés hiányában a fenti szabványok a  
legutóbb közzétett verziókat jelölik.

Bejelentett tanúsítási szervezet: **0404, RISE SMP  
Svensk Maskinprovning AB, Box 7035, SE-750 07  
Uppsala** a 2000/14/EK irányelv VI. melléklete alapján  
elvégezte a megfeleléségi felmérést, és a tanúsítványt a  
következő számmal állította ki: 01/901/324 (LB 548i),  
01/901/323 (LC 551iV)

Huskvarna, 2020-01-20



Claes Losdal, Fejlesztési Igazgató/Kertművelési  
termékek (a Husqvarna AB hivatalos képviselője és a  
műszaki dokumentációk felelőse)

---

## Sommario

---

Introduzione.....	257	Ricerca dei guasti.....	272
Sicurezza.....	259	Trasporto, stoccaggio e smaltimento.....	273
Montaggio.....	267	Dati tecnici.....	274
Utilizzo.....	268	Dichiarazione di conformità CE.....	277
Manutenzione.....	270		

---

## Introduzione

---

### Descrizione del prodotto

Il prodotto è un rasaerba rotativo con operatore a piedi. Il modello LB 548i utilizza BioClip per trasformare l'erba tagliata in fertilizzante.

Il modello LC 551iV raccoglie l'erba in un raccoglierba. Rimuovere il raccoglierba per scaricare l'erba dalla parte

posteriore del prodotto. Montare un kit per mulching (accessorio) per tagliare l'erba da utilizzare come fertilizzante.

### Uso previsto

Utilizzare il prodotto per tagliare l'erba nei giardini privati. Non utilizzare il prodotto per altre attività.

### Illustrazione del prodotto

(Fig. 1)

1. Pannello di comando
2. Impugnatura del freno motore
3. Inibitore di avviamento
4. Raccoglierba (LC 551iV)
5. Coperchio posteriore (LC 551iV)
6. Chiave di sicurezza
7. Manopola dell'impugnatura (LC 551iV)
8. Leva di regolazione dell'impugnatura (LB 548i)
9. Sportello del vano batterie
10. Controllo dell'altezza di taglio (LC 551iV)
11. Pulsante ON/OFF.
12. Pulsante SavE
13. Indicatore SavE
14. Indicatore della batteria
15. Indicatore del livello di velocità
16. Pulsante per diminuire la velocità
17. Pulsante per aumentare la velocità
18. LED di errore
19. Coperchio di taglio
20. Prese d'aria
21. Targhetta dati di funzionamento
22. Impugnatura di comando (LC 551iV)
23. Caricabatterie (accessorio)
24. Batteria (accessorio)
25. Batteria multipla (accessorio)
26. Piastra adattatore (accessorio)
27. Adattatore per batteria multipla (accessorio)
28. Manuale operatore

### Simboli riportati sul prodotto

(Fig. 2)

**AVVERTENZA:** questo prodotto può essere pericoloso e causare lesioni gravi o mortali all'operatore o a terzi. Prestare attenzione e utilizzare il prodotto correttamente.

(Fig. 3)

Leggere attentamente il Manuale dell'operatore e accertarsi di aver compreso le istruzioni prima di utilizzare questo prodotto.

(Fig. 4)

Mantenere le persone e gli animali a una distanza di sicurezza dalla zona di lavoro.

- (Fig. 5) Prestare attenzione a oggetti lanciati o rimbalzati.
- (Fig. 6) **Attenzione** Tenere mani e piedi lontani dalla lama rotante.
- (Fig. 7) **Attenzione** Tenere le mani e i piedi lontani dalle parti rotanti.
- (Fig. 8) Rimuovere la chiave di sicurezza prima di eseguire operazioni di riparazione o di manutenzione.
- (Fig. 9) **Marchio ecologico.** Il prodotto o l'imballaggio del prodotto non è un rifiuto domestico. Riciclarlo in un punto di riciclaggio approvato per apparecchiature elettriche ed elettroniche.
- (Fig. 10) Il prodotto è conforme alle direttive CE vigenti.
- (Fig. 11) Il prodotto è conforme alle direttive dell'Unione doganale eurasiatica vigenti.
- (Fig. 12) Il prodotto è conforme alle direttive UkrSEPRO vigenti.
- (Fig. 13) Il prodotto è conforme alle direttive RCM vigenti.

Valide solo per Australia/  
Nuova Zelanda

- (Fig. 14) Emissioni di rumore nell'ambiente in conformità con le Direttive della Comunità Europea. Le emissioni di rumore del prodotto sono specificate in *Dati tecnici alla pagina 274* e sulla decalcomania.

**IPX4** Protezione contro gli spruzzi d'acqua.  
**IPX4**

- (Fig. 19) **Procedura di avviamento:** premere il pulsante ON/OFF, allentare l'inibitore di avviamento, spingere verso il basso l'impugnatura del freno motore.

- (Fig. 15) Rilasciare l'impugnatura del freno motore per arrestare il motore.

- (Fig. 16) Lento

- (Fig. 17) Veloce

- (Fig. 18) Codice scansionabile

---

**Nota:** I restanti simboli/decalcomanie sul prodotto riguardano particolari requisiti necessari per ottenere la certificazione in alcuni mercati.

---

## Etichetta sul prodotto

(Fig. 20)

Tenere mani e piedi lontani dalle lame rotanti.

## Responsabilità del prodotto

Come indicato nelle leggi vigenti in materia di responsabilità obbligatoria sul prodotto, non siamo responsabili per eventuali danni causati dal nostro prodotto se:

- Il prodotto viene riparato in modo errato.
- Il prodotto viene riparato con parti che non provengono o non sono omologate dal produttore.

- Il prodotto contiene un accessorio che non proviene o non è omologato dal produttore.

- Il prodotto non viene riparato presso un centro di assistenza autorizzato o presso un'autorità competente.

---

## Sicurezza

---

### Definizioni di sicurezza

Le avvertenze, le precauzioni e le note sono utilizzate per evidenziare le parti importanti del manuale.



**AVVERTENZA:** Utilizzato se è presente un rischio di lesioni o morte dell'operatore o di passanti nel caso in cui le istruzioni del manuale non vengano rispettate.



**ATTENZIONE:** Utilizzato se è presente un rischio di danni al prodotto, ad altri materiali oppure alla zona adiacente nel caso in cui le istruzioni del manuale non vengano rispettate.

**Nota:** Utilizzato per fornire ulteriori informazioni necessarie in una determinata situazione.

### Istruzioni di sicurezza generali



**AVVERTENZA:** Leggere le seguenti avvertenze

prima di utilizzare il prodotto.

- Questo prodotto è pericoloso se utilizzato in maniera impropria o se non si presta attenzione. La mancata osservanza delle istruzioni di sicurezza può causare lesioni anche fatali.
- Durante il funzionamento, questo prodotto genera un campo elettromagnetico. Tale campo può interferire, in alcuni casi, con persone portatrici di impianti medici attivi o passivi. Per ridurre il rischio di condizioni che possono implicare lesioni gravi o mortali, i portatori di tali impianti devono consultare il proprio medico e il produttore dell'impianto prima di utilizzare questo prodotto.
- Usare la massima cautela e il buon senso. Se non si è sicuri di come utilizzare il prodotto in una particolare situazione, fermarsi e rivolgersi al proprio rivenditore Husqvarna prima di continuare.

- Tenere presente che l'operatore potrà essere ritenuto responsabile di eventuali incidenti che coinvolgano altre persone o i loro beni.
- Tenere pulito il prodotto. Assicurarsi che sia possibile leggere chiaramente simboli e decalcomanie.
- Non consentire mai l'uso dell'apparecchio a bambini o persone che non conoscono le presenti istruzioni. Alcune normative locali possono limitare l'età dell'operatore
- Controllare sempre qualsiasi persona, dalle capacità fisiche o mentali ridotte, che utilizzi il prodotto. È necessaria sempre la supervisione di un adulto responsabile.
- Non utilizzare l'apparecchio quando si è stanchi, ammalati o sotto effetto di alcool, farmaci o medicinali. Essi potrebbero compromettere la vista, l'attenzione, il coordinamento e il giudizio.
- Se difettoso, non utilizzare il prodotto.
- Non modificare il prodotto né utilizzarlo nel caso in cui vi sia la possibilità che sia stato modificato da altri.

## Sicurezza dell'area di lavoro

---



**AVVERTENZA:** Leggere le seguenti avvertenze prima di utilizzare il prodotto.

---

- Rimuovere oggetti quali rami, ramoscelli o pietre dall'area di lavoro prima di utilizzare il prodotto.
- Gli oggetti che urtano contro l'attrezzatura di taglio potrebbero essere proiettati e causare danni a cose e persone. Mantenere persone e animali a una distanza di sicurezza dal prodotto.
- Non utilizzare mai il prodotto in condizioni meteorologiche avverse quali nebbia, pioggia, vento forte, freddo intenso e rischio di fulmini. L'uso del prodotto in condizioni meteorologiche avverse o in ambienti umidi è stancante. Condizioni meteorologiche avverse possono causare situazioni di pericolo quali superfici scivolose.
- Prestare attenzione a persone, cose e situazioni che possono impedire un utilizzo sicuro del prodotto.
- Prestare attenzione a ostacoli quali radici, pietre, ramoscelli,



fossi e avvallamenti. L'erba alta può nascondere eventuali ostacoli.

- Tagliare l'erba in pendenza può risultare pericoloso. Non utilizzarli su pendii eccessivamente ripidi. Non utilizzare il prodotto su terreni con pendenze superiori a 15°.
- Procedere con estrema cautela quando si cambia direzione in pendenza. Utilizzare il prodotto trasversalmente lungo i pendii. Non spostarsi seguendo tragitti verso l'alto e verso il basso.
- Prestare attenzione in prossimità di angoli e oggetti nascosti che potrebbero ostacolare la visuale.

## Sicurezza sul lavoro



**AVVERTENZA:** Leggere le seguenti avvertenze prima di utilizzare il prodotto.

- Utilizzare il prodotto esclusivamente per tagliare il prato. Non è consentito utilizzare il prodotto per altri scopi.
- Usare sempre abbigliamento protettivo personale. Fare riferimento a *Abbigliamento*

*protettivo personale alla pagina 262.*

- Assicurarsi di saper spegnere il motore rapidamente in caso di emergenza.
- Non utilizzare il prodotto con pioggia o umidità. Il rischio di scosse elettriche aumenta se l'acqua penetra nel prodotto.
- Non azionare il prodotto senza prima aver montato correttamente la lama e tutti i coperchi. Una lama non correttamente fissata potrebbe allentarsi e causare lesioni personali.
- Assicurarsi che la lama non urti oggetti quali pietre e radici. Ciò potrebbe provocare danni alla lama e piegare l'albero motore. Un asse piegato provoca forti vibrazioni e un alto rischio di allentamento della lama.
- Qualora la lama urti contro un oggetto o all'insorgere di vibrazioni arrestare immediatamente il prodotto. Arrestare il motore, tirare verso l'alto la chiave di sicurezza e rimuovere la batteria. Verificare la presenza di eventuali danni al prodotto. Riparare eventuali danni o contattare un'officina autorizzata per far svolgere la riparazione.

- Non fissare l'impugnatura del freno motore in modo permanente al manubrio quando il motore è avviato.
- Posizionare il prodotto su una superficie piana e stabile e avviarlo. Assicurarsi che la lama non venga a contatto con il terreno o con altri oggetti.
- Collocarsi sempre posteriormente al prodotto quando lo si utilizza.
- Consentire a tutte le ruote di restare a contatto con il suolo e tenere le 2 mani sull'impugnatura mentre si aziona il prodotto. Tenere mani e piedi lontani dalle lame rotanti.
- Non ribaltare il prodotto a motore acceso.
- Prestare attenzione quando si tira il prodotto verso di sé.
- Non sollevare mai il prodotto a motore avviato. Se è necessario sollevare il prodotto, arrestare prima di tutto il motore, poi tirare verso l'alto la chiave di sicurezza e rimuovere la batteria.
- Non camminare all'indietro quando si utilizza il prodotto.
- Arrestare il motore quando si attraversano zone prive d'erba quali vialetti in ghiaia, pietra e asfalto.
- Non correre con il prodotto quando il motore è acceso. Camminare sempre durante l'utilizzo del prodotto.
- Arrestare il motore prima di apportare qualsiasi modifica all'altezza di taglio. Non effettuare mai regolazioni a motore acceso.
- Non perdere mai di vista il prodotto quando il motore è acceso. Arrestare il motore e assicurarsi che l'attrezzatura di taglio non giri.

#### Istruzioni di sicurezza per il funzionamento

#### Abbigliamento protettivo personale



**AVVERTENZA:** Leggere le seguenti avvertenze prima di utilizzare il prodotto.

- L'uso di abbigliamento protettivo personale non elimina il rischio di lesioni, ma ne riduce la gravità in caso di incidente. Farsi consigliare dal rivenditore per la scelta dell'attrezzatura adatta.
- Utilizzare robusti stivali o scarpe antiscivolo. Non utilizzare il prodotto con calzature aperte o a piedi nudi.

- Utilizzare pantaloni lunghi di tessuto pesante.
- Indossare guanti protettivi ove necessario, ad esempio per montare, ispezionare o pulire l'attrezzatura di taglio.

## Dispositivi di sicurezza sul prodotto



**AVVERTENZA:** Leggere le seguenti avvertenze prima di utilizzare il prodotto.

- Non utilizzare un prodotto con dispositivi di sicurezza difettosi.
- Effettuare un controllo dei dispositivi di sicurezza con regolarità. Se i dispositivi di sicurezza sono difettosi, rivolgersi alla propria officina Husqvarna.

## Controllo del coperchio di taglio

Il coperchio di taglio riduce le vibrazioni del prodotto e il rischio di ferirsi con la lama.

- Esaminare il coperchio di taglio per accertarsi che non presenti danni quali crepe.

## Chiave di sicurezza

La chiave di sicurezza si trova sotto il coperchio della batteria. La chiave di sicurezza si collega

alla batteria che alimenta il motore.

## Controllo della chiave di sicurezza

La chiave di sicurezza si collega alla batteria che alimenta il motore.

- Avviare e arrestare il motore  
Se la chiave di sicurezza funziona correttamente, il motore può avviarsi solo quando la chiave si trova nel blocco di sicurezza.

## Impugnatura del freno motore

L'impugnatura del freno motore arresta il motore. Quando si rilascia l'impugnatura del freno motore, il motore si arresta.

Per controllare il freno motore, avviare il motore e quindi rilasciare l'impugnatura del freno motore. Se il motore non si arresta entro 3 secondi, far regolare il freno motore presso un'officina Husqvarna autorizzata.

(Fig. 21)

## Per esaminare l'inibitore di avviamento

Effettuare un controllo dell'inibitore di avviamento per

accertarsi che impedisca il funzionamento del motore.

1. Spingere l'impugnatura del freno motore in direzione del manubrio. L'inibitore di avviamento arresta il movimento.
2. Tirare fuori l'inibitore di avviamento. (Fig. 22)
3. Rilasciare l'inibitore di avviamento e accertarsi che ritorni nella sua posizione iniziale.

## Sicurezza batterie



**AVVERTENZA:** Leggere le seguenti avvertenze prima di utilizzare il prodotto.

- Utilizzare le batterie ricaricabili Husqvarna come alimentazione per i soli prodotti Husqvarna in questione. Per evitare il rischio di lesioni, non utilizzare la batteria come fonte di alimentazione per altri dispositivi.
- Non utilizzare batterie non ricaricabili.
- Rischio di scosse elettriche. Non collegare i morsetti della batteria a chiavi, monete, viti o altro tipo di metallo. Ciò può causare un corto circuito della batteria.
- Non inserire oggetti nelle feritoie di aerazione della batteria.
- Tenere la batteria lontano dalla luce del sole, dal calore o da fiamme libere. La batteria può esplodere e causare bruciature e/o ustioni chimiche.
- Tenere la batteria lontano da pioggia e umidità.
- Tenere la batteria lontano da microonde e alta pressione.
- Non tentare di smontare o rompere la batteria.
- In caso di perdite dalla batteria, non lasciare che il liquido entri in contatto con il corpo o con gli occhi. In caso di contatto con il liquido, pulire l'area con grandi quantità di acqua e consultare un medico.
- Utilizzare la batteria a una temperatura compresa tra -10 °C e 40 °C.
- Non pulire la batteria o il caricabatteria con acqua. Vedere *Per pulire la batteria e il caricabatterie alla pagina 272.*
- Non utilizzare una batteria difettosa o danneggiata.
- Conservare le batterie lontano da oggetti metallici, come ad

esempio chiodi, monete, gioielli.

## Sicurezza del caricabatterie

---



**AVVERTENZA:** Leggere le seguenti avvertenze prima di utilizzare il prodotto.

---

- Utilizzare i caricabatterie QC per caricare esclusivamente le batterie di ricambio Husqvarna.
- Rischio di scosse elettriche o cortocircuiti. Non inserire oggetti nelle feritoie di aerazione del caricabatterie. Non tentare di smontare il caricabatterie. Non collegare i terminali del caricabatterie a oggetti metallici. Utilizzare una presa di rete omologata.
- Durante il funzionamento, questo prodotto genera un campo elettromagnetico. Tale campo può interferire, in alcuni casi, con persone portatrici di impianti medici attivi o passivi. Per ridurre il rischio di condizioni che possono implicare lesioni personali gravi o fatali, i portatori di tali impianti devono consultare il proprio medico e il produttore dell'impianto prima di utilizzare questo prodotto.
- Verificare regolarmente che il cavo di alimentazione del caricabatterie non sia danneggiato e che non vi siano crepe.
- Non sollevare il caricabatterie tramite il cavo di alimentazione. Per scollegare il caricabatterie da una presa di rete, tirare la spina. Non tirare il cavo di alimentazione.
- Tenere il cavo di alimentazione e le prolunghe lontani da acqua, olio e bordi appuntiti. Fare attenzione affinché il cavo non si incastri in porte, ostacoli o simili. Questo potrebbe causare scosse elettriche al contatto con il caricabatterie.
- Non pulire il caricabatterie con acqua.
- Il caricabatterie può essere utilizzato da bambini a partire da 8 anni di età e da parte di persone con ridotte capacità fisiche, sensoriali o mentali, oppure con mancanza di esperienza e conoscenza, se vengono controllati o ricevono istruzioni sull'utilizzo sicuro del caricabatterie e se comprendono i rischi. I bambini non devono giocare con il caricabatterie. La pulizia e la manutenzione non devono

essere eseguite da bambini senza la supervisione di adulti.

- Non caricare batterie non ricaricabili nel caricabatterie.
- Non utilizzare il caricabatterie in prossimità di materiali infiammabili o materiali corrosivi. Non coprire il caricabatterie. Staccare la spina del caricabatterie in caso di fumo o incendio.
- Non utilizzare un caricabatterie difettoso o danneggiato.
- Caricare la batteria solo in luoghi chiusi, in una stanza con un buon flusso d'aria e lontano dalla luce del sole. Non caricare la batteria in condizioni di umidità.

## Istruzioni di sicurezza per la manutenzione



**AVVERTENZA:** Leggere le seguenti avvertenze prima di utilizzare il prodotto.

- Rimuovere la chiave di sicurezza prima di eseguire la manutenzione del prodotto.
- Eseguire gli interventi di manutenzione correttamente in modo da aumentare la durata di vita del prodotto e ridurre il rischio di incidenti.

Affidare le riparazioni professionali a un'officina autorizzata. Per ulteriori informazioni, rivolgersi all'officina più vicina.

- Eseguire esclusivamente gli interventi di manutenzione riportati nel presente manuale operatore.
- Indossare guanti per lavori pesanti quando si utilizza l'attrezzatura di taglio. La lama è molto affilata e ci si può ferire facilmente.
- Mantenere i bordi taglienti affilati e puliti per prestazioni più sicure e ottimali
- Far esaminare regolarmente il prodotto da un'officina per messe a punto e riparazioni necessarie.
- Sostituire le parti danneggiate, usurate o rotte.
- Rispettare le istruzioni per la sostituzione degli accessori. Utilizzare solo accessori del produttore.
- Quando non in uso, tenere il prodotto, la batteria e il caricabatterie lontano in un luogo all'interno, chiuso a chiave e asciutto. Assicurarsi che i bambini e le persone non autorizzate non abbiano accesso al prodotto, alla batteria o al caricabatterie.

---

# Montaggio

---

## Introduzione



**AVVERTENZA:** Leggere e comprendere il capitolo sulla sicurezza prima di montare il prodotto.

---

## Installazione e rimozione della batteria multipla (accessorio)

1. Rimuovere i 4 coperchi in gomma e le 4 viti dal cofano motore. (Fig. 23)
2. Posizionare la piastra dell'adattatore sul cofano motore.
3. Fissare la piastra dell'adattatore serrando le 4 viti in dotazione a una coppia di 5-6 Nm. (Fig. 24)
4. Aprire il portello della batteria.
5. Rimuovere la batteria nel vano 1. (Fig. 25)
6. Rimuovere il dispositivo di fissaggio della tenuta. (Fig. 26)
7. Inserire l'adattatore della batteria nel vano batteria finché non si avverte uno scatto. (Fig. 27)
8. Inserire il cavo dell'adattatore della batteria attraverso il foro di arresto della tenuta. Fissare il cavo con la fascetta. (Fig. 28)
9. Montare la batteria multipla sull'adattatore della batteria.
10. Collegare la batteria multipla all'adattatore della batteria. (Fig. 29)
11. Collegare il cavo dell'adattatore della batteria all'impugnatura con le 3 fascette in tessuto. (Fig. 30)
12. Rimuovere la batteria multipla seguendo l'ordine inverso.



**AVVERTENZA:** Non collegare il cavo all'impugnatura senza stringerlo adeguatamente. Il cavo può staccarsi dall'impugnatura e causare lesioni.

---

## Montaggio dell'impugnatura (LC 551iV)

1. Allentare le manopole inferiori.
2. Spostare le manopole verso l'estremità inferiore delle scanalature dei lati sinistro e destro del prodotto. (Fig. 31)
3. Impostare l'altezza dell'impugnatura su una delle 2 posizioni disponibili.

4. Spostare le manopole verso l'alto in direzione dell'impugnatura fino a quando un clic ne segnala l'arresto. (Fig. 32)
5. Stringere completamente le manopole.

## Montaggio dell'impugnatura (LB 548i)

1. Rimuovere il dado dell'impugnatura e la rondella dalla piastra sull'impugnatura superiore.
2. Posizionare l'impugnatura superiore al di sopra dell'impugnatura inferiore.



**ATTENZIONE:** Accertarsi che i fili non siano impigliati o non si siano danneggiati.

3. Fissare la rondella e la leva di regolazione dell'impugnatura. (Fig. 33)
4. Ruotare l'impugnatura di lato in una posizione che assicuri il funzionamento ottimale quando si aziona il prodotto in prossimità di una parete. (Fig. 34)

## Per assemblare il raccoglierba (LC 551iV)

1. Fissare il telaio del raccoglierba al relativo sacco con la parte rigida di quest'ultimo posta in basso. Mantenere l'impugnatura del telaio dalla parte alta del sacco raccoglierba. (Fig. 35)
2. Fissare la parte inferiore del telaio del raccoglierba nella scanalatura in basso del raccoglierba.
3. Fissare il sacco sul telaio del raccoglierba utilizzando i fermi. (Fig. 36)
4. Sollevare il coperchio posteriore.
5. Fissare il raccoglierba al bordo superiore del telaio.
6. Inserire la parte inferiore del raccoglierba nel canale di scarico dell'erba. (Fig. 37)

## Montaggio del tappo per mulching (accessorio LC 551iV)

1. Sollevare il coperchio posteriore e rimuovere il raccoglierba.
2. Inserire il tappo per mulching nel canale di scarico. (Fig. 38)
3. Sostituire la lama con quella speciale disponibile nel kit per mulching. Fare riferimento a *Per sostituire la lama alla pagina 271*.

## Introduzione



**AVVERTENZA:** Prima di utilizzare il prodotto, è necessario leggere e comprendere il capitolo relativo alla sicurezza.

## Husqvarna Connect

Husqvarna Connect è un'app gratuita per i dispositivi mobili. L'app Husqvarna Connect fornisce funzioni estese per il prodotto Husqvarna:

- Informazioni aggiuntive sul prodotto.
- Dettagli, guida, parti del prodotto e manutenzione.

### Primo utilizzo Husqvarna Connect

1. Scaricare l'app Husqvarna Connect sul proprio dispositivo mobile.
2. Registrarsi nell'app Husqvarna Connect.
3. Attenersi alle istruzioni dell'app Husqvarna Connect per collegare e registrare il prodotto.

## Husqvarna Fleet Services™

Husqvarna Fleet Services™ è una soluzione su cloud che fornisce ai responsabili delle flotte una panoramica di tutti i prodotti. Husqvarna Fleet Services™ è incluso per LC 551iV. Per ulteriori informazioni su Husqvarna Fleet Services™, consultare il sito [www.husqvarna.com](http://www.husqvarna.com).

### Preparazione del sensore (accessorio)

1. Utilizzare la chiave del sensore per aprire il coperchio del sensore. (Fig. 39)
2. Rimuovere il sensore.
3. Collegare la batteria al sensore. La spia LED del sensore si accende. (Fig. 40)
4. Scaricare l'app Husqvarna Fleet Services™.
5. Eseguire il login all'app Husqvarna Fleet Services™.
6. Abbinamento Fare riferimento a *Abbinamento dell'app al prodotto alla pagina 268*

### Abbinamento dell'app al prodotto

1. Eseguire il login all'app Husqvarna Fleet Services™.
2. Selezionare il prodotto nell'app.
3. Eseguire la scansione del codice dietro il sensore con il dispositivo mobile per installare il sensore nell'app.

**Nota:** È sufficiente eseguire una sola volta l'operazione di abbinamento dell'app al prodotto.

## Installazione del sensore

1. Accertarsi che il sensore sia collegato all'app Husqvarna Fleet Services™. Fare riferimento a *Abbinamento dell'app al prodotto alla pagina 268*.
2. Praticare 2 fori in corrispondenza dei contrassegni nell'alloggiamento. (Fig. 41)

**Nota:** Assicurarsi che i fori abbiano la stessa dimensione dei rivetti forniti con il sensore.

3. Utilizzare un paio di pinze per rimuovere i fori esterni dell'alloggiamento del sensore. (Fig. 42)
4. Praticare 2 fori in corrispondenza dei contrassegni presenti nell'alloggiamento del sensore. (Fig. 43)
5. Allineare il sensore all'alloggiamento. (Fig. 44)
6. Fissare l'alloggiamento del sensore con i rivetti.
7. Montare il sensore nel relativo alloggiamento. Allineare il contrassegno bianco sul sensore con quello sul relativo alloggiamento. (Fig. 45)
8. Chiudere il coperchio del sensore e bloccarlo con la relativa chiave. Assicurarsi che la parte superiore della "H" di Husqvarna sia rivolta verso l'esterno rispetto alla chiave di sicurezza. (Fig. 46)

## Fissaggio del prodotto in posizione di funzionamento (LC 551iV)

1. Sollevare l'impugnatura in posizione verticale. (Fig. 47)
2. Spostare le manopole verso l'alto in direzione dell'impugnatura fino a quando un clic ne segnala l'arresto. (Fig. 32)
3. Stringere completamente le manopole.

## Per impostare l'altezza di taglio

L'altezza di taglio può essere regolata su 6 diversi livelli.

1. Premere il comando dell'altezza di taglio nella direzione della ruota, quindi all'indietro per aumentare l'altezza di taglio.
2. Premere il comando dell'altezza di taglio nella direzione della ruota, quindi in avanti per diminuire l'altezza di taglio. (Fig. 48)



**ATTENZIONE:** Non impostare l'altezza di taglio troppo in basso. Se la superficie del prato non è piana, le lame possono urtare il terreno.

## Batteria



**AVVERTENZA:** Prima di utilizzare la batteria, leggere e comprendere il capitolo sulla sicurezza. È inoltre importante leggere



e comprendere il manuale operatore della batteria e del caricabatterie.

## Stato della batteria

Il display mostra la capacità residua della batteria e se sussistono problemi con la batteria stessa. La capacità della batteria viene visualizzata per 5 secondi dopo lo spegnimento del prodotto o dopo aver premuto il pulsante di indicatore di batteria. Il simbolo d'avvertenza sulla batteria si accende quando si verifica un errore. Vedere *Batteria alla pagina 272*.

(Fig. 49)

Spie LED	Stato della batteria
Tutti i LED accesi	Completamente carica (75-100%)
LED 1, LED 2, LED 3 accesi	La batteria è carica al 50%-75%
LED 1, LED 2 accesi	La batteria è carica al 25%-50%
LED 1 acceso.	La batteria è carica allo 0%-25%.
LED 1 lampeggia.	La batteria è scarica. Caricare la batteria.

## Per caricare la batteria

Caricare la batteria prima del primo utilizzo. Quando viene fornita al cliente, la batteria è carica solo al 30%.

**Nota:** Il caricabatterie deve essere collegato alla rete elettrica e alla frequenza indicate sulla targhetta dati di funzionamento.

La batteria non si ricarica se la sua temperatura è superiore a 50°C. Il caricabatteria riduce la temperatura della batteria prima di iniziare la ricarica.

1. Collegare un'estremità del cavo di alimentazione del caricabatteria alla presa del caricabatterie.
2. Collegare l'altra estremità del cavo di alimentazione del caricabatteria ad una presa di corrente con messa a terra. Il LED sul caricabatterie lampeggia verde per una volta. (Fig. 50)
3. Inserire la batteria nel caricabatterie. La luce verde sul caricabatterie si accende quando la batteria è collegata correttamente al caricabatterie. (Fig. 51)
4. Quando tutti i LED sulla batteria sono accesi, la batteria è completamente carica. Caricare la batteria per massimo 24 ore.
5. Per scollegare il caricabatterie dalla presa di rete, estrarre la spina e non il cavo di alimentazione.
6. Rimuovere la batteria dal caricabatterie.

## Stato di ricarica della batteria

È possibile utilizzare o caricare una batteria agli ioni di litio Husqvarna a tutti i livelli di carica. La batteria non viene danneggiata. Una batteria completamente carica non diminuisce la carica se lasciata nel caricabatterie.

Display a LED	Livello di carica
LED 1 lampeggia.	0%-25%
LED 1 acceso, LED 2 lampeggia.	25%-50%
LED 1, LED 2 accesi, LED 3 lampeggia.	50%-75%
LED 1, LED 2, LED 3 accesi, LED 4 lampeggia.	75%-100%
LED 1, LED 2, LED 3, LED 4 accesi	Completamente carica

## Carica della batteria multipla

**Nota:** È necessario caricare la batteria prima di utilizzarla per la prima volta. Una batteria nuova è carica solo al 30%.

1. Verificare che la batteria sia asciutta.
2. Collegare la batteria multipla all'adattatore. (Fig. 52)
3. Inserire l'adattatore nel caricabatterie.
4. Accertarsi che il LED di carica verde sul caricabatterie si accenda. Ciò significa che l'adattatore e la batteria multipla sono collegati correttamente. (Fig. 53)
5. Quando tutti i LED sulla batteria si accendono e l'adattatore indica il 100%, la batteria è completamente carica. (Fig. 54)

L'adattatore mostra lo stato di carica in incrementi dell'1%. Sono possibili piccole deviazioni all'inizio della carica.

6. Per scollegare il caricabatterie dalla presa di rete, tirare la spina. Non tirare il cavo.
7. Rimuovere l'adattatore dal caricabatterie.
8. Rimuovere la batteria multipla dall'adattatore.

**Nota:** Fare riferimento ai manuali della batteria multipla e del caricabatterie per ulteriori informazioni.

## Avviamento del prodotto

1. Sollevare il coperchio della batteria.
2. Inserire una batteria carica nel vano batteria numero 1, sotto il coperchio della batteria. Per tempi di funzionamento più lunghi, mettere una seconda batteria carica nel vano batteria numero 2.
3. Scollegare la chiave di sicurezza dal relativo supporto.

4. Inserire la chiave di sicurezza nel blocco di sicurezza. (Fig. 55)
5. Collocarsi dietro il prodotto.
6. Premere il pulsante ON/OFF sul pannello di comando. Il display si accende.
7. Allentare l'inibitore di avviamento. (Fig. 22)
8. Spingere l'impugnatura del freno motore in direzione del manubrio. (Fig. 56)

## Per applicare trazione alle ruote (LC 551iV)

- Tirare l'impugnatura di comando nella direzione del manubrio per avviare la trazione. (Fig. 57)
- Premere + e - sul pannello di comando per impostare la velocità di trazione in 4 fasi. (Fig. 58)
- Rilasciare l'impugnatura di comando per disinnestare la trazione, ad esempio quando ci si avvicina a un ostacolo.

## Per utilizzare la funzione SavE

Il prodotto dispone di una funzione di risparmio batteria (SavE) che permette tempi di funzionamento più lunghi.

1. Premere il pulsante SavE (A) per avviare la funzione. Il simbolo SavE (B) sul display si accende.
2. Premere nuovamente il pulsante SavE per arrestare la funzione. Il simbolo SavE (B) sul display si spegne. (Fig. 59)

La funzione SavE si arresta automaticamente se le condizioni del terreno rendono necessaria una resa superiore. La funzione SavE si avvia di nuovo automaticamente quando le condizioni del terreno lo consentono.

## Funzione PowerBoost

Quando il prodotto taglia erba lunga o umida, il motore aumenta automaticamente i giri/min. Per risparmiare la batteria, il motore torna automaticamente alla modalità standard quando la funzione PowerBoost non è necessaria.

## Arresto dell'unità

Il prodotto si arresta automaticamente se rimane non utilizzato per 3 minuti.

1. Rilasciare l'impugnatura del freno motore per arrestare il motore. (Fig. 21)
2. Premere il pulsante ON/OFF sul pannello di comando. Tutte le spie LED e i simboli sul display si spengono. (Fig. 60)
3. Rimuovere la chiave di sicurezza dal relativo blocco e inserirla nel supporto.

## Per ottenere un buon risultato

- Utilizzare sempre una lama ben affilata. Una lama non tagliente fornisce un risultato irregolare e la superficie di taglio dell'erba ingiallisce. Una lama affilata inoltre consuma minore energia di una lama affilata.
- Non tagliare più di  $\frac{1}{3}$  dell'altezza dell'erba. Iniziare l'operazione di taglio impostando l'altezza di taglio su un livello alto. Esaminare il risultato e ridurre l'altezza di taglio al livello applicabile. Se l'erba è molto alta, procedere lentamente e tagliarla 2 volte, se necessario.
- Tagliare sempre in direzioni diverse per evitare il formarsi di strisce sul prato.

## Per tagliare l'erba senza un raccogliherba o un tappo per mulching collegato (LC 551iV)

1. Sollevare il coperchio posteriore e rimuovere il raccogliherba.
2. Se sono collegati un tappo e una lama mulching, rimuoverli.
3. Chiudere il coperchio posteriore prima di azionare il prodotto.

Durante l'utilizzo del prodotto, l'erba tagliata si scarica sotto il coperchio posteriore.

---

# Manutenzione

---

## Introduzione



**AVVERTENZA:** Prima di svolgere la manutenzione, leggere e comprendere il capitolo relativo alla sicurezza.

Per tutti gli interventi di assistenza e riparazione sul prodotto, è necessaria una formazione specifica. La nostra azienda garantisce la disponibilità di personale qualificato per le riparazioni e l'assistenza. Se non avete acquistato il prodotto presso un rivenditore dotato di

officina, informatevi sull'ubicazione della più vicina officina autorizzata.

## Programma di manutenzione

Gli intervalli di manutenzione sono calcolati sulla base di un uso quotidiano del prodotto. Gli intervalli cambiano se il prodotto non viene usato quotidianamente.

Per gli interventi di manutenzione identificati con \*, fare riferimento a *Istruzioni di sicurezza per il funzionamento alla pagina 262*.

	A ciascun utilizzo	Una volta al mese	Ogni stagione
Svolgere un'ispezione generale	X		
Pulire i coperchi della trasmissione. Assicurarsi che sul motore non sia presente dell'erba.	X		
Eseguire un controllo dell'inibitore di avviamento *	X		
Accertarsi che i dispositivi di sicurezza del prodotto non siano difettosi *	X		
Controllare la presenza di usura o danni sul raccoglierba.	X		
Controllare l'attrezzatura di taglio	X		
Controllare il coperchio di taglio *	X		
Controllare l'impugnatura del freno motore *	X		
Accertarsi che il pulsante ON/OFF funzioni correttamente e che non sia difettoso	X		
Controllare la presenza di eventuali danni alla batteria	X		
Effettuare un controllo dello stato di carica della batteria	X		
Accertarsi che i pulsanti di rilascio sulla batteria funzionino correttamente e che tengano la batteria bloccata sul prodotto.	X		
Pulire le prese d'aria. Assicurarsi che le prese d'aria non siano sporche oppure ostruite dall'erba	X		
Controllare che il caricabatterie non sia danneggiato e che funzioni correttamente.		X	
Controllare i collegamenti tra la batteria e il prodotto. Controllare anche il collegamento tra la batteria e il caricabatterie.			X

## Per effettuare un'ispezione generale

- Controllare che tutti i dadi e le viti del prodotto siano ben serrati.
- Accertarsi che i cavi del prodotto non sono in una posizione in cui possono danneggiarsi.

## Per sostituire la lama

1. Bloccare la lama con un blocco di legno. (Fig. 61)
2. Rimuovere il bullone della lama, la rondella elastica e la lama. (Fig. 62)
3. Controllare il supporto e il bullone della lama per verificare che non vi siano danni.
  - a) Se si sostituisce la lama o il supporto della lama, sostituire anche il bullone, la rondella elastica e la rondella di attrito.
4. Esaminare l'albero motore per accertarsi che non sia piegato.
5. Quando si monta la nuova lama, assicurarsi che le estremità inclinate puntino in direzione del coperchio di taglio. (Fig. 63)

6. Far aderire la rondella di attrito e la lama al supporto della lama. (Fig. 64)
7. Assicurarsi che la lama sia allineata con il centro dell'albero motore. (Fig. 65)
8. Bloccare la lama con un blocco di legno. (Fig. 66)
9. Montare la rondella elastica e serrare il bullone a una coppia di 65-75 Nm. (Fig. 67)
10. Girare manualmente la lama per verificare che possa ruotare liberamente.



**AVVERTENZA:** Usare guanti protettivi. La lama è molto affilata e ci si può ferire facilmente.

11. Avviare il prodotto per eseguire una prova della lama. Se la lama non è collegata correttamente, si verificano delle vibrazioni nel prodotto o il risultato del taglio è insoddisfacente.

## Per pulire il prodotto

- Pulire le parti in plastica con un panno pulito e asciutto.

- Non utilizzare acqua per pulire il prodotto. L'acqua può penetrare nella batteria o nel motore e causare un corto circuito o danni al prodotto.
- Non utilizzare una lancia ad alta pressione per pulire il prodotto.
- Non dirigere getti d'acqua sul motore.
- Utilizzare una spazzola per rimuovere foglie, erba e sporcizia.

## Per pulire la batteria e il caricabatterie



**ATTENZIONE:** Non pulire la batteria o il caricabatteria con acqua.

- Accertarsi che la batteria e il caricabatterie siano puliti e asciutti prima di inserire la batteria nel caricabatterie.
- Pulire i terminali della batteria con aria compressa o con un panno morbido e asciutto.
- Pulire le superfici della batteria e del caricabatterie con un panno morbido e asciutto.

## Per controllare l'attrezzatura di taglio



**AVVERTENZA:** Per evitare l'avviamento accidentale tirare verso l'alto la chiave di sicurezza, rimuovere la batteria e attendere almeno 5 secondi.



**AVVERTENZA:** Indossare guanti protettivi quando si esegue la manutenzione dell'attrezzatura di taglio. La lama è molto affilata e ci si può ferire facilmente.

1. Controllare l'attrezzatura di taglio per individuare danni o crepe. Sostituire sempre l'attrezzatura di taglio danneggiata.
2. Osservare la lama per controllare che non sia danneggiata o usurata.

**Nota:** Dopo l'affilatura la lama deve essere bilanciata. Rivolgersi a un centro assistenza per l'affilatura, la sostituzione e il bilanciamento. Se si urta un ostacolo che provoca l'arresto del prodotto, sostituire la lama danneggiata. Il centro di assistenza può valutare se la lama può essere affilata o deve essere sostituita.

# KEEP VAN DER SPEK

## Ricerca dei guasti

### Batteria

LED della batteria	Possibili guasti	Possibile procedura
Il LED verde lampeggia	La tensione della batteria è bassa	Caricare la batteria. Vedere <i>Per caricare la batteria alla pagina 269</i> .
Il LED di errore lampeggia	La batteria è debole	Caricare la batteria. Vedere <i>Batteria alla pagina 272</i> .
	La temperatura nell'ambiente di lavoro è troppo alta o troppo bassa	Utilizzare la batteria a una temperatura compresa tra -10°C e 40°C.
	Sovratensione	Controllare che la tensione di rete corrisponda a quella indicata sull'etichetta del prodotto  Rimuovere la batteria dal caricabatterie. Attendere 5 secondi e riprovare a caricare la batteria. Se il problema persiste, contattare un'officina autorizzata.
Il LED di errore è acceso	Differenza troppo elevata nella cella (1 V)	Contattare un'officina autorizzata.

## Caricabatterie

LED del caricabatterie	Possibili guasti	Possibile procedura
Il LED di errore lampeggia	La temperatura nell'ambiente di lavoro è troppo alta o troppo bassa	Utilizzare il caricabatterie a una temperatura compresa tra 5°C e 40°C.
Il LED di errore è acceso		Contattare un'officina autorizzata

## Pannello di comando

Codice di errore (Numero di lampeggi)	Possibili guasti	Possibile procedura
1	Il motore di trasmissione è troppo caldo.	Lasciare che il prodotto si raffreddi. Assicurarsi che sulla trasmissione non sia presente dell'erba. Se necessario, pulire il coperchio della trasmissione.
5	La velocità del motore diminuisce eccessivamente e il motore si arresta.	Pulire il piatto di taglio e aumentare l'altezza di taglio. Fare riferimento a <i>Per impostare l'altezza di taglio alla pagina 268</i> . Se il problema persiste, contattare un'officina autorizzata.
8	La batteria è scarica.	Caricare la batteria. Fare riferimento a <i>Per caricare la batteria alla pagina 269</i> .
9	Errore batteria o nessun segnale dalla batteria.	Inserire correttamente la batteria nel prodotto e controllare il connettore della batteria. Se il LED di errore della batteria lampeggia, fare riferimento a <i>Batteria alla pagina 268</i> .
10	Il comando del motore è troppo caldo.	Arrestare il motore e attendere che si raffreddi.
Altri errori	Se si verificano altri errori, rimuovere la chiave di sicurezza e la batteria e rivolgersi a un'officina autorizzata.	

## Trasporto, stoccaggio e smaltimento

### Introduzione



**AVVERTENZA:** Per evitare l'avviamento accidentale durante il trasporto, tirare verso l'alto la chiave di sicurezza, rimuovere la batteria e attendere almeno 5 secondi.

### Disposizione del prodotto in posizione di trasporto (LC 551iV)

1. Allentare le manopole inferiori.
2. Spostare le manopole verso l'estremità inferiore delle scanalature dei lati sinistro e destro del prodotto. (Fig. 31)
3. Ripiegare l'impugnatura in avanti. (Fig. 68)
4. Rimuovere il raccogliërba.

### Trasporto

- I requisiti di legge sulle merci pericolose si applicano alle batterie agli ioni di litio incluse.
- Rispettare i requisiti speciali riportati sulla confezione e sulle etichette per il trasporto commerciale.
- Durante la preparazione al trasporto del prodotto, attenersi alle normative relative ai materiali pericolosi. Possono essere in vigore alcune normative locali.
- Rimuovere sempre la batteria per il trasporto.
- Applicare del nastro sui connettori della batteria e assicurarsi che la batteria rimanga fissa in posizione durante il trasporto.
- Fissare il prodotto durante il trasporto.

## Conservazione

- Rimuovere sempre la batteria per lo stoccaggio.
- Per evitare incidenti, assicurarsi che la batteria non sia collegata al prodotto una volta riposto.
- Conservare il caricabatterie in un ambiente chiuso e asciutto.
- Conservare la batteria e il caricabatterie in un luogo asciutto, privo di umidità e protetto dal gelo.
- Scollegare la batteria dal caricabatterie durante lo stoccaggio.
- Non conservare la batteria in aree elettricamente statiche. Non conservare mai la batteria in una scatola di metallo.
- Conservare la batteria a una temperatura compresa tra 5 °C e 25 °C e non esposta alla luce del sole.
- Conservare il caricabatterie a una temperatura compresa tra 5 °C e 45 °C e non esposto alla luce del sole.
- Accertarsi che la batteria sia carica al 30% - 50% prima di riporla per lunghi periodi.

- Conservare il prodotto, la batteria e il caricabatterie in un luogo chiuso a chiave, fuori dalla portata di bambini e di persone non autorizzate.
- Pulire il prodotto ed eseguire una manutenzione completa prima di riporlo per lunghi periodi.

## Smaltimento

I simboli sul prodotto o sull'imballaggio indicano che il presente prodotto non può essere trattato come rifiuto domestico. Deve essere portato presso un centro di raccolta specializzato nel recupero di apparecchiature elettriche ed elettroniche.

Trattando questo prodotto correttamente, si contribuisce a contrastare il potenziale impatto negativo sull'ambiente e sulle persone che può altrimenti sortire da una gestione impropria del prodotto come rifiuto. Per informazioni più dettagliate sul riciclaggio di questo prodotto, contattare l'autorità municipale, il servizio rifiuti domestici o il punto vendita in cui è stato acquistato.

(Fig. 69)

## Dati tecnici

### Dati tecnici

	LB 548i	LC 551IV
<b>Motore di taglio</b>		
Tipo di motore	BLDC (senza spazzole) 36V	BLDC (senza spazzole) 36V
Velocità del motore – SavE, giri/min*	2600	2600
Velocità del motore – Nominale, giri/min*	3000	3000
Velocità del motore – Carico elevato, giri/min*	3300	3300
Potenza del motore - max kW	1,8	1,8
Potenza del motore - Nominale, kW	1,5	1,5
<b>Motore principale</b>		
Potenza del motore - Nominale, kW	N/A	0,3
Velocità conduzione automatica, km/h	N/A	3,0-5,0
Livelli di regolazione della velocità	N/A	4
<b>Peso</b>		
Peso senza batteria, kg	31	41
<b>Batteria</b>		
Tipo di batteria	Serie a batteria Husqvarna	Serie a batteria Husqvarna
<b>Prestazione della batteria</b>		
Prestazione della batteria, min. (free run) con modalità SavE attivata, con una batteria Husqvarna da 5,2 Ah (Bli200).	40	30

	LB 548i	LC 551iV
Prestazione della batteria, min, (free run) con modalità standard attivata, con una batteria Husqvarna da 5,2 Ah (BLi200).	30	20
<b>Emissioni di rumore</b> <sup>37</sup>		
Livello acustico, misurato dB(A)	93	97
Livello acustico, garantito L <sub>WA</sub> dB(A)	93	97
<b>Livelli di rumorosità</b> <sup>38</sup>		
Livello di pressione acustica all'orecchio dell'operatore, dB(A)	80	84
<b>Livelli di vibrazioni</b> <sup>39</sup>		
Impugnatura, m/s <sup>2</sup>	0,3	0,3
<b>Attrezzatura di taglio</b>		
Altezza di taglio, mm	20-75	20-75
Larghezza di taglio, cm	48	51
Lama standard	Lama per mulching 597466510	Lama raccogliherba 597466310
Accessorio lama	N/A	Lama per mulching 597466410
Capacità del sacco raccogliherba, l	N/A	65

\*Giri al minuto

Kees van der Spek  
TUINMACHINES \* STOLWIJK

Batterie approvate	Tipo	Capacità batteria, Ah	Tensione V	Peso, lb/kg
BLi20	Ioni di litio	4,0	36	2,6/1,2
BLi200	Ioni di litio	5,2	36	2,8/1,3
BLi300	Ioni di litio	9,4	36	4,1/1,9
BLi550X	Ioni di litio	15,6	36	12,4/5,6
BLi950X	Ioni di litio	31,1	36	15,4/7,0

Caricabatteria omologati per le batterie specificate, BLI	Tensione di entrata, V	Frequenza, Hz	Potenza, W
QC80	100-240	50-60	80
QC80F	12	0	80

<sup>37</sup> Emissioni di rumore nell'ambiente misurate come potenza sonora (L<sub>WA</sub>) in base alla direttiva CE 2000/14/CE.

<sup>38</sup> I dati riportati per il livello di pressione acustica hanno una dispersione statistica tipica (deviazione standard) di 1,2 dB(A).

<sup>39</sup> I dati riportati per il livello di vibrazioni presentano una dispersione statistica tipica (deviazione standard) di 0,2 m/s<sup>2</sup>. Vibrazioni standard EN 60335-2-77:2017 capitolo 20.105

<b>Caricabatteria omologati per le batterie specificate, BLi</b>	<b>Tensione di entrata, V</b>	<b>Frequenza, Hz</b>	<b>Potenza, W</b>
QC330	100-240	50-60	330
QC500	100-240	50-60	500

**KEES VAN DER SPEK**  
TUINMACHINES ★ STOLWIJK



---

# Dichiarazione di conformità CE

---

## Dichiarazione di conformità CE

**Husqvarna AB**, SE-561 82 Huskvarna, Svezia, tel.: +46-36-146500, dichiara che il **rasaerba Husqvarna LB 548i, LC 551iV**, a partire dall'anno 2019 in poi, è conforme alle norme previste nelle seguenti DIRETTIVE DEL CONSIGLIO:

- dell'8 giugno 2011 sulla "restrizione dell'uso di determinate sostanze pericolose". **2011/65/UE**
- del 17 maggio 2006 "sulle macchine" **2006/42/CE**
- del 26 febbraio 2014 "sulla compatibilità elettromagnetica" **2014/30/UE**
- dell'8 maggio 2000 "sull'emissione di rumore nell'ambiente" **2000/14/CE**

Per informazioni sulle emissioni acustiche, consultare i Dati tecnici.

Sono state applicate le seguenti norme:

**IEC 60335-1:2010, IEC 60335-2-77:2002, EN 60335-1:2012, EN 60335-2-77:2010 EN/IEC 62233:2008 EN 61000-6-3:2005 EN 61000-6-1:2005**

Se non diversamente specificato, le norme sopra elencate sono le ultime versioni pubblicate.

Organo competente: **0404, RISE SMP Svensk Maskinprovning AB, Box 7035, SE-750 07 Uppsala** ha eseguito la valutazione della conformità ai sensi dell'allegato VI della direttiva 2000/14/CE e ha emesso un certificato con il numero:01/901/324 (LB 548i), 01/901/323 (LC 551iV)

Huskvarna, 2020-01-20



Claes Losdal, Responsabile sviluppo/Prodotti per il giardino (rappresentante autorizzato per Husqvarna AB e responsabile della documentazione tecnica)

## 目次

はじめに.....	278	トラブルシューティング.....	292
安全性.....	280	搬送、保管、廃棄.....	293
組立.....	287	主要贈元.....	294
操作.....	288	EC 適合性宣言.....	296
メンテナンス.....	290		

## はじめに

### 製品の説明

本製品は、手押し式ロータリー芝刈機です。モデル LB 548i は BioClip により芝を肥料に変えます。

モデル LC 551iV はグラスキャッチャーに草を集めます。芝を後方排出方式にするには、グラスキャッチャー

を取り外してください。刈った芝を肥料にするにはマルチキット (アクセサリ) を取り付けてください。

### 用途

この製品は、ご家庭の庭の芝刈りに使用してください。他の作業に本製品を使用しないでください。

### 製品の概要

(図 1)

1. コントロールパネル
2. モーターブレーキハンドル
3. 始動抑制装置
4. グラスキャッチャー ( LC 551iV )
5. 後部カバー ( LC 551iV )
6. 安全キー
7. ハンドルノブ ( LC 551iV )
8. ハンドル調整レバー ( LB 548i )
9. バッテリーカバー
10. 刈高コントロール ( LC 551iV )
11. ON/OFF ボタン
12. SavE ボタン
13. SavE インジケータ
14. バッテリーインジケータ
15. 速度レベルインジケータ
16. 減速ボタン
17. 加速ボタン
18. エラー LED
19. カuttingカパー
20. 吸気口
21. 銘板
22. ドライブベイル ( LC 551iV )
23. バッテリー充電器 ( アクセサリー )
24. バッテリー ( アクセサリー )
25. マルチバッテリー ( アクセサリー )
26. アダプタープレート ( アクセサリー )
27. マルチバッテリーアダプター ( アクセサリー )
28. 取扱説明書

### 製品に表記されるシンボルマーク

(図 2)

**警告：本製品の使用は危険を伴います。操作者や付近にいる人が重傷を負う、または死亡するおそれがあります。十分に注意し、本製品を正しく使用してください。**

(図 3)

**本製品を使用する前に、この取扱説明書をよくお読みになり、指示内容をよく理解してください。**

(図 4)

**作業領域からは人や動物との安全な距離を保ってください。**

(図 5)

**飛び散ったり跳ね返ってくる物体に気をつけてください。**

(図 6) 警告：回転しているブレードに手や足を近づけないでください。

(図 7) 警告：回転部品に手や足を近づけないでください。

(図 8) 修理やメンテナンスを行う前に、安全キーを取り外してください。

(図 9) 環境マーク。本製品や本製品のパッケージは、一般廃棄物ではありません。電気・電子機器の認定済み処理業者にリサイクルを依頼してください。

(図 10) 本製品は EC 指令適合製品です。

(図 11) 本製品はユーラシア関税同盟指令適合製品です。

(図 12) 本製品は UkrSEPRO 指令適合製品です。

(図 13) 本製品は RCM 指令適合製品です。オーストラリア / ニューゼalandのみ対象

(図 14) 環境に対する騒音排出は EC 指令に準拠しています。本製品の騒音排出については、主要諸元 294 ページおよびステッカーに記載されています。

(図 19) 始動手順：ON/OFF ボタンを押し、始動抑制装置を緩め、モーターブレーキハンドルを押し下げます。

(図 15) 停止させるには、モーターブレーキハンドルを放します。

(図 16) 低速

(図 17) 高速

(図 18) スキャン用のコード

---

注記：本製品に付いている他のシンボル / 銘板は、一部の市場地域に向けた認定条件を示します。

---

## 本製品のラベル

(図 20)

回転しているブレードに手や足を近づけないでください。

### 製造物責任

製造物責任法に基づき、当社は、次の場合については本製品を原因とする損傷について責任を負いません。

- 本製品が誤って修理された場合。
- メーカーによるものではない部品、またはメーカーの認可していない部品を使用して本製品を修理した場合。
- メーカーによるものではないアクセサリ、またはメーカーの認可していないアクセサリを本製品に使用した場合。
- 認定サービスセンターまたは認定機関で本製品が修理されていない場合。

**IPX4** 水の飛沫から保護します。  
**IPX4**

### 安全性の定義

警告、注意、注記は、取扱説明書の特に重要な部分を示しています。



**警告：** 取扱説明書の指示に従わない場合、使用者が負傷したり、死亡したりするか、あるいは付近の人に損傷を与える危険があることを意味します。



**注意：** 取扱説明書の指示に従わない場合、製品や他の物品、または隣接するエリアに損傷を与える危険があることを意味します。

**注記：** 特定の状況で必要とされる詳細情報を提供するために使用されます。

### 一般的な安全注意事項



**警告：** 本製品を使用する前に、以下の警告指示をお読みください。

- 本製品は、慎重かつ適切に使用しないと、危険な道具となります。安全注意事項に従わ

ないと、負傷や死亡事故が発生するおそれがあります。

- 本製品では、運転中に電磁場が発生します。この電磁場は、ある条件下でアクティブ、またはパッシブな医療用インプラントに影響を及ぼすことがあります。深刻な傷害または致命傷の危険を避けるため、医療用インプラントを使用している方は、本製品を使用する前に主治医および医療用インプラントの製造元に相談することをお勧めします。
- 常に常識に基づいて注意して使用してください。特殊な状況での本製品の操作方法がわからない場合、作業を続ける前に本製品を停止して、Husqvarna 販売店までご連絡ください。
- 第三者やその所有物が事故に関係する場合、その責任は、作業者にあることを忘れないでください。
- 本製品は清潔に保ってください。標識やラベルがはっきりと読み取れるようにしてください。
- 子供や使用方法に習熟していない人には本製品を使用させないでください。居住地の法

規によっては、使用者の年齢制限がある場合があります。

- 身体的、精神的にハンデを負った人が本製品を使用する場合は常に監視してください。責任を有する大人が常にそばにいる必要があります。
- 疲労時、疾病時、アルコールや医薬品の影響が残っているときは、本製品を使用しないでください。視力、注意力、動作、判断力に悪影響を与えます。
- 本製品に不具合がある場合は使用しないでください。
- 本製品を改造しないでください。また、本製品が改造されている可能性がある場合は使用しないでください。

## 作業エリアの安全



**警告：** 本製品を使用する前に、以下の警告指示をお読みください。

- 本製品を使用する前に、大小の枝や石などの物体を作業範囲から取り除いてください。
- カutting装置にぶつかった物体がはじかれて、人が怪我をしたり物が損傷したりするおそれがあります。本製品から周囲の人や動物との安全な距離を保ってください。
- 霧、雨、強風、極寒、雷の危険などの悪天候下で本製品を

使用しないでください。悪天候下や、湿気のある場所、濡れた場所で本製品を使用すると疲労します。悪天候の場合、路面が滑りやすくなるなど、危険な状態を引き起こすことがあります。

- 製品の安全な操作を妨げる可能性がある人、物、状況に注意してください。
- 根、石、小枝、窪み、溝などの障害物に注意してください。長い芝の中に障害物が隠れていることがあります。
- 斜面で芝を刈ることは危険を伴います。急斜面の芝を刈ることはできません。15°を超える斜面では本製品を使用しないでください。
- 斜面で向きを変える場合は、細心の注意を払ってください。斜面を横切りながら本製品を操作してください。上下に移動しないでください。
- 陰になった隅や視界を遮るものに近づくときは気を付けてください。

## 安全な作業



**警告：** 本製品を使用する前に、以下の警告指示をお読みください。

- 本製品は芝生刈りにのみ使用してください。他の作業には使用できません。

- 身体保護具を使用してください。使用者の身体保護具 283 ページを参照してください。
- 緊急時にモーターをすばやく停止する方法を必ず確認してください。
- 雨降りや湿潤な環境下で本製品を操作しないでください。本製品に水が入ると、感電の危険性が高まります。
- ブレードやすべてのカバーを適切に装着してから本製品を始動させてください。ブレードが適切に装着されていないと、緩んで、怪我をすることがあります。
- ブレードが石や根などの物体にぶつからないように気を付けてください。ブレードが損傷したり、モーターシャフトが曲がったりするおそれがあります。シャフトが曲がると振動が激しくなり、ブレードが緩む危険性が非常に高くなります。
- ブレードが物に当たったり振動が発生したりした場合は、すぐに本製品を停止してください。モーターを停止し、安全キーを引き上げてバッテリーを取り外します。製品に損傷がないか点検します。損傷部を修復するか、正規サービス代理店に修理を依頼してください。
- モーターの始動時は、モーターブレーキハンドルをハンドルに完全に固定しないでください。
- 製品を平らで安定した面に置き、始動します。ブレードが地面やその他の物に触れないよう、注意してください。
- 本製品の操作時は、必ず製品の後ろに立ってください。
- 製品を操作するときは、すべてのホイールを地面につけ、両手でハンドルをつかんで操作してください。回転しているブレードに手や足を近づけないでください。
- モーターの作動中は、本製品を傾けないでください。
- 製品を後方に引くときは注意してください。
- モーターの作動中は、本製品を持ち上げないでください。本製品を持ち上げる必要がある場合は、まずモーターを停止させ、安全キーを引き上げてバッテリーを取り外してください。
- 本製品を操作するときは、後ろ向きに歩かないでください。
- 砂利、石、アスファルトなど、芝面以外の領域を横切るときは、モーターを停止してください。
- モーターの作動中は、本製品を操作しながら走らないでく

ださい。製品を操作するとき  
は、必ず歩いてください。

- 刈高を変更する場合は、まず  
モーターを停止してください。  
モーターが作動している  
状態での調整は決して行わな  
いください。
- モーターが作動している状態  
で、見えない場所に製品を放  
置しないでください。モータ  
ーを停止し、カッティング装  
置が回転していないことを確  
認してください。

#### 操作のための安全注意事項

#### 使用者の身体保護具



**警告：** 本製品を使用する  
前に、以下の警告指示を  
お読みください。

- 身体保護具で怪我を完全に防  
止できるわけではありません  
が、万が一事故が起こった場  
合、負傷の度合いを軽減する  
ことができます。適切な保護  
具の選択については、販売店  
にご相談ください。
- 丈夫で滑りくいブーツや靴を  
着用してください。開放部の  
多い靴を使用したり、裸足で  
作業を行ったりしないでくだ  
さい。
- 厚手の長ズボンを着用してく  
ださい。
- カッティング装置の取り付  
け、点検、清掃を行う場合

は、必要に応じて保護グロー  
ブを着用してください。

#### 本製品の安全装置



**警告：** 本製品を使用する  
前に、以下の警告指示を  
お読みください。

- 安全装置に欠陥のある製品は  
使用しないでください。
- 安全装置は定期的に点検して  
ください。安全装置に欠陥が  
ある場合は、Husqvarna サ  
ービス代理店にご相談くださ  
い。

#### カッティングカバーの点検方法

カッティングカバーは、本製品  
の振動を抑え、ブレードで負傷  
する危険性を低減します。

- カッティングカバーを点検し  
て、亀裂などの損傷がないこ  
とを確認してください。

#### 安全キー

安全キーはバッテリーカバーの  
下にあります。安全キーは、電  
源を供給するバッテリーとモ  
ーターを接続します。

#### 安全キーの点検

安全キーは、電源を供給するバ  
ッテリーとモーターを接続しま  
す。

- ・ モーターを始動および停止します。安全キーが正しく機能している場合は、安全キーが安全ロックにあるときのみモーターが始動します。

## モーターブレーキハンドル

モーターブレーキハンドルは、モーターを停止させるためのものです。モーターブレーキハンドルを放すと、モーターが停止します。

モーターブレーキを点検するには、モーターを始動してから、モーターブレーキハンドルを放します。モーターが3秒で停止しない場合は、Husqvarnaの認証サービス代理店にモーターブレーキの調整を依頼してください。

(図 21)

## 始動抑制装置の点検

始動抑制装置を点検して、モーターの作動を抑制することを確認します。

1. ハンドルバーの方向にモーターブレーキハンドルを押します。始動抑制装置により動きが停止します。
2. 始動抑制装置を押します。  
(図 22)
3. 始動抑制装置を放して、最初の位置に戻ることを確認します。

## バッテリーの安全



**警告：** 本製品を使用する前に、以下の警告指示をお読みください。

- ・ Husqvarna 充電式バッテリーは、対応する Husqvarna 製品の電源としてのみ使用してください。負傷を防止するため、他の装置の電源は使用しないでください。
- ・ 充電式ではないバッテリーは使用しないでください。
- ・ 感電するおそれがあります。バッテリーの端子を鍵や硬貨、ネジや他の金属に接触させないでください。バッテリーが短絡する原因になります。
- ・ バッテリーのエアスロットに物が入らないようにしてください。
- ・ バッテリーは直射日光や熱、裸火から保護してください。バッテリーが爆発して、やけどや化学熱傷を負うおそれがあります。
- ・ バッテリーは雨や湿気から保護してください。
- ・ バッテリーは電子レンジや高圧から保護してください。
- ・ バッテリーを分解もしくは粉砕しないでください。
- ・ バッテリーから漏れが発生した場合、身体や目に液体が触



れないようにしてください。  
液体が人体に触れた場合は、  
触れた個所を大量の水で洗い  
流して、医療機関に相談して  
ください。

- バッテリーは -10°C ~ 40°C の  
温度で使用してください。
- バッテリーまたはバッテリー  
充電器は、水で洗淨しないで  
ください。バッテリーとバッ  
テリー充電器の清掃方法 292  
ページを参照してください。
- 不具合や損傷のあるバッテリ  
ーは使用しないでください。
- バッテリーは、くぎ、硬貨、  
宝飾品などの金属から遠ざけ  
て保管してください。

## バッテリー充電器の安全性



**警告：** 本製品を使用する  
前に、以下の警告指示を  
お読みください。

- Husqvarna 交換用バッテリー  
の充電には、QC バッテリー  
充電器のみを使用してくださ  
い。
- 感電や短絡のおそれがありま  
す。充電器のエアスロットに  
物が入らないようにしてくだ  
さい。バッテリー充電器を分  
解しないでください。充電器  
の端子を金属物体へ接触させ  
ないでください。認定された  
主電源ソケットを使用してく  
ださい。
- 本製品では、運転中に電磁場  
が発生します。この電磁場  
は、ある条件下でアクティ  
ブ、またはパッシブな医療用  
インプラントに影響を及ぼす  
ことがあります。深刻な傷害  
または致命傷の危険を避ける  
ため、医療用インプラントを  
使用している方は、本製品を  
使用する前に主治医および医  
療用インプラントの製造元に  
相談することをお勧めしま  
す。
- 定期的に充電器の電源コード  
を点検し、破損や亀裂がない  
ことを確認してください。
- 電源コードを持ってバッテリ  
ー充電器を持ち上げないでく  
ださい。主電源ソケットから  
バッテリー充電器を取り外す  
際は、プラグを引っ張ってく  
ださい。電源コードを引っ張  
らないでください。
- 電源コードと延長ケーブル  
が、水や油、または尖った物  
に接触しないようにしてくだ  
さい。ドア、フェンスなどに  
ケーブルが挟まっていないこ  
とを確認してください。充電  
器に通電する可能性があります。
- バッテリー充電器を、水で洗  
淨しないでください。
- このバッテリー充電器は、8  
才以上の子供、身体的、知覚  
的、精神的障害のある方、ま

たは経験や知識のない方でも、バッテリー充電器の安全な使用に関する監督または指示を受け、関連する危険について理解すれば使用できます。充電器を小児の遊具にしないでください。クリーニングおよびメンテナンスは、保護者による監視のない限り、小児に行わせてはいけません。

- 充電不可能なバッテリーを本バッテリー充電器で充電しないでください。
- 可燃性の物質や、腐食の原因となる物質の近くでは、バッテリー充電器を使用しないでください。バッテリー充電器にカバーをかけないでください。煙や火災が発生した場合、バッテリー充電器の電源プラグをコンセントから引き抜いてください。
- 故障または破損したバッテリー充電器は使用しないでください。
- バッテリーは、通気がよく直射日光が当たらない室内でのみ充電してください。濡れた状態でバッテリーを充電しないでください。

## メンテナンスのための安全注意事項



**警告：** 本製品を使用する前に、以下の警告指示をお読みください。

- 製品のメンテナンスを行う前に、安全キーを外してください。
- 適切にメンテナンス作業を実施すると、製品の寿命が延び、事故のリスクを低減することができます。認定サービス代理店に専門的な修理を依頼してください。詳しくは、最寄りのサービス代理店までお問い合わせください。
- 本取扱説明書に記載されているメンテナンスのみを実施してください。
- カutting装置を取り扱う際は、丈夫な作業用手袋を着用してください。ブレードは非常に鋭利なため、切り傷を負う危険性があります。
- 最も安全で最良の性能を実現するために、Cuttingエッジを目立てし、清潔に保ってください。
- サービス代理店に本製品の定期検査を依頼し、必要な調整や修理を受けてください。
- 損傷、摩耗、破損した部品は交換してください。

- アクセサリーの交換は、手順に従って実施してください。純正のアクセサリーのみを使用してください。
- 操作しないときは、製品、バッテリー、バッテリー充電器

を乾燥した、屋内の鍵のかかる場所に保管してください。子供や許可されていない人が、製品、バッテリー、バッテリー充電器に近づけないようにしてください。

## 組立

### はじめに



**警告：** 本製品を組み立てる前に、安全に関する章を読んで理解してください。

### マルチバッテリー (アクセサリー) の取り付けと取り外し

1. モーターカバーから 4 個のラバーカバーと 4 個のネジを取り外します。(図 23)
2. アダプタープレートをモーターカバーの上に置きます。
3. 付属の 4 本のネジを使用して、5~6 Nm のトルクでアダプタープレートを取り付けます。(図 24)
4. バッテリーハッチを開けます。
5. スロット 1 のバッテリーを取り外します。(図 25)
6. シールストップを外します。(図 26)
7. カチッという音が聞こえるまで、バッテリーアダプターをバッテリーコンパートメントに押し込みます。(図 27)
8. バッテリーアダプターのコードをシールストップの穴に通します。クリップでコードを取り付けます。(図 28)
9. マルチバッテリーをバッテリーアダプターに取り付けます。
10. マルチバッテリーをバッテリーアダプターに接続します。(図 29)
11. 3 本の布製ストラップを使用して、バッテリーアダプターコードをハンドルに取り付けます。(図 30)
12. マルチバッテリーの取り外しは逆の手順で行います。



**警告：** コードはハンドルにしっかりと取り付けてください。コードがハンドルから外れて、負傷の原因となる可能性があります。

### ハンドルの組み立て (LC 551iV)

1. 下側ノブを緩めます。
2. 本製品の左右にある溝の下端までノブを動かします。(図 31)

3. ハンドルを 2 つの高さのいずれかにセットします。
4. ノブをハンドル方向に、カチッと音がするまで上方に動かします。(図 32)
5. ノブを完全に締め込みます。

### ハンドルの組み立て (LB 548i)

1. 上部ハンドルのプレートからハンドルナットとワッシャーを取り外します。
2. 上部ハンドルを下部ハンドルの上に配置します。



**注意：** ワイヤーが引つかかったり、損傷したりしていないことを確認します。

3. ワッシャーとハンドル調整レバーを取り付けます。(図 33)
4. 壁の近くで本製品を操作するときは、ハンドルを横に回して快適な操作位置に調整します。(図 34)

### グラスキャッチャーの取り付け (LC 551iV)

1. グラスキャッチャーフレームを、バッグ下部の硬質な部分に取り付けます。フレームのハンドルがグラスバッグの上になるようにします。(図 35)
2. グラスキャッチャーフレームの下部をグラスキャッチャーの底の溝に取り付けます。
3. グラスバッグをグラスキャッチャーフレームにクリップで取り付けます。(図 36)
4. 後部カバーを持ち上げます。
5. グラスキャッチャーをシャーシの上端に取り付けます。
6. グラスキャッチャーの下部を芝の排出口に入れます。(図 37)

### マルチプラグ (LC 551iV アクセサリー) の組み立て

1. 後部カバーを持ち上げてグラスキャッチャーを取り外します。
2. 排出口にマルチプラグを取り付けます。(図 38)
3. ブレードを、マルチキット同梱のマルチブレードに取り替えます。ブレードの交換方法 291 ページを参照してください。

# 操作

## はじめに



**警告：** 本製品を操作する前に、安全に関する章をお読みになり、内容を理解してください。

## Husqvarna Connect

Husqvarna Connect は、モバイルデバイス用の無料アプリです。Husqvarna Connect アプリは、お持ちの Husqvarna 製品の拡張機能を提供します。

- 拡張製品情報。
- 製品の部品とサービスに関する情報とヘルプ。

## Husqvarna Connect の使い方

1. Husqvarna Connect アプリをモバイルデバイスにダウンロードします。
2. Husqvarna Connect アプリで登録を行います。
3. Husqvarna Connect アプリの指示に沿って、製品を接続して登録します。

## Husqvarna Fleet Services™ (ハスクバーナ フリートサービス™)

Husqvarna Fleet Services™ は、業務用管理者にすべての製品の概要を提供するクラウドソリューションです。Husqvarna Fleet Services™ は LC 551iV に含まれています。Husqvarna Fleet Services™ の詳細については、www.husqvarna.com を参照してください。

## センサー (アクセサリ) の準備

1. センサーキーを使用して、センサーの蓋を開けます。(図 39)
2. センサーを取り外します。
3. センサーにバッテリーを接続します。センサーの LED ランプが点灯します。(図 40)
4. Husqvarna Fleet Services™ アプリをダウンロードします。
5. Husqvarna Fleet Services™ アプリにログインします。
6. ペアリング処理を行います。参照：アプリと本製品のペアリング 288 ページ

## アプリと本製品のペアリング

1. Husqvarna Fleet Services™ アプリにログインします。
2. アプリで本製品を選択します。
3. センサー後部のコードをモバイルデバイスでスキャンして、アプリにセンサーを登録します。

**注記：** アプリケーションと製品のペアリングは 1 回だけ実行する必要があります。

## センサーの取り付け

1. センサーを Husqvarna Fleet Services™ アプリに接続しておく必要があります。アプリと本製品のペアリング 288 ページを参照してください。
2. エンクロージャスロットのマークに合わせて穴を 2 つ開けます。(図 41)

**注記：** 穴の寸法はセンサーに付属のリベットと同じでなければなりません。

3. プライヤーを使用して、センサースロット外側の穴を取り外します。(図 42)
4. センサースロットのマークに合わせて穴を 2 つ開けます。(図 43)
5. センサースロットをエンクロージャスロットに合わせます。(図 44)
6. センサースロットをリベットで取り付けます。
7. センサーをセンサースロットに取り付けます。センサーの白いマークとセンサースロットのマークを合わせます。(図 45)
8. センサーの蓋を閉じ、センサーキーでロックします。Husqvarna の「H」の上部と安全キーが逆方向になっていることを確認します。(図 46)

## 本製品を操作位置にセットする(LC 551iV)

1. ハンドルを直立した位置まで上げます。(図 47)
2. ノブをハンドル方向に、カチツと音がするまで上方に動かします。(図 32)
3. ノブを完全に締め込みます。

## 刈高の設定方法

刈高は 6 段階に調節できます。

1. 刈高を上げるには、刈高コントロールをホイールの方向に押してから後方に押します。
2. 刈高を下げるには、刈高コントロールをホイールの方向に押してから前方に押します。(図 48)



**注意：** 刈高を低く設定しすぎないでください。芝生の表面が水平でない場合、ブレードが地面に当たるおそれがあります。

## バッテリー



**警告：** バッテリーを使用する前に、安全に関する章をお読みになり、内容を理解してください。バッテリーおよびバッテリー充電器の取扱説明書もお読みになり、内容を理解してください。

## バッテリーの状態

ディスプレイには、バッテリー残量やバッテリーに関する問題が表示されます。バッテリー容量は、本製品の電源がオフになった後あるいはバッテリーインジケータボタンが押された後に 5 秒間表示されます。エラーが発生すると、バッテリーに関する警告マークが点灯します。バッテリー 292 ページを参照してください。

(図 49)

LED ランプ	バッテリーの状態
すべての LED が点灯。	フル充電 (75 ~ 100%)
LED 1、LED 2、LED 3 が点灯	バッテリーは 50% ~ 75% 充電済み
LED 1、LED 2 が点灯	バッテリーは 25% ~ 50% 充電済み
LED 1 が点灯	バッテリーは 0% ~ 25% 充電済み。
LED 1 が点滅	バッテリーは空です。バッテリーを充電してください。

## バッテリーの充電方法

初めて使用する前に、バッテリーを充電してください。お客様への出荷時、バッテリーは 30% のみ充電されています。

**注記：** バッテリー充電器は、銘板で指定された電圧と周波数の電源に接続する必要があります。

バッテリーの温度が 50°C を超えている場合は、バッテリーが充電されません。バッテリー充電器は、バッテリーの温度が下がってから充電を開始します。

1. バッテリー充電器用電源コードの片端をバッテリー充電器のソケットに接続します。
2. バッテリー充電器用電源コードのもう一方の端を、アースされている主電源ソケットに接続します。バッテリー充電器の LED が一度緑色で点滅します。(図 50)
3. バッテリーをバッテリー充電器に取り付けます。バッテリーがバッテリー充電器に正しく接続されると、バッテリー充電器の緑色のランプが点灯します。(図 51)
4. バッテリーの LED がすべて点灯したら、バッテリーはフル充電されています。バッテリーを最大 24 時間充電します。
5. 主電源ソケットからバッテリー充電器を取り外す際は、電源コードではなくプラグを引いてください。
6. バッテリー充電器からバッテリーを外します。

## バッテリーの充電ステータス

Husqvarna リチウムイオンバッテリーは、充電レベルに関係なく充電や使用が可能です。バッテリーは破損しません。フル充電されたバッテリーを充電器に入れたま

まにしてもバッテリーの電力が低減することはありません。

LED 表示	充電の状態
LED 1 が点滅	0% ~ 25%
LED 1 が点灯、LED 2 が点滅	25% ~ 50%
LED 1、LED 2 が点灯、LED 3 が点滅	50% ~ 75%
LED 1、LED 2、LED 3 が点灯、LED 4 が点滅	75% ~ 100%
LED 1、LED 2、LED 3、LED 4 が点灯。	フル充電済み

## マルチバッテリーの充電

**注記：** 初めてバッテリーを使用する場合は、バッテリーを充電してください。新品のバッテリーは 30% しか充電されていません。

1. バッテリーが濡れていないことを確認してください。
2. マルチバッテリーをアダプターに接続します。(図 52)
3. アダプターをバッテリー充電器に入れます。
4. バッテリー充電器の緑色の充電 LED が点灯していることを確認してください。これは、アダプターとマルチバッテリーが正しく接続されていることを意味します。(図 53)
5. バッテリーの LED がすべて点灯し、アダプターに 100% と表示されたら、バッテリーの充電が完了しています。(図 54)  
アダプターは充電状態を 1% 単位で表示します。充電開始時にわずかなずれが生じる可能性があります。
6. 電源ソケットからバッテリー充電器を取り外す際は、プラグを引っ張ってください。ケーブルを引っ張らないでください。
7. バッテリー充電器からアダプターを外します。
8. アダプターからマルチバッテリーを外します。

**注記：** 詳細については、マルチバッテリーおよびバッテリー充電器の取扱説明書を参照してください。

## 本製品の始動方法

1. バッテリーの蓋を開けます。
2. バッテリーの蓋の下にあるバッテリースロット 1 に、充電したバッテリーを入れます。動作時間を長くするには、充電した 2 つ目のバッテリーをバッテリースロット 2 に入れます。
3. 安全キーホルダーから安全キーを取り外します。
4. 安全キーを安全ロックに入れます。(図 55)

5. 製品の後ろに立ってください。
6. コントロールパネルの ON/OFF ボタンを押します。ディスプレイが点灯します。
7. 始動抑制装置を緩めます。(図 22)
8. ハンドルバーの方向にモーターブレーキハンドルを押します。(図 56)

## ドライブホイールの使用方法 (LC 551iV)

- ハンドルバーの方向にドライブペダルを引き、ドライブを始動します。(図 57)
- コントロールパネルの + - を押すことで、ドライブの速度を 4 段階に設定できます。(図 58)
- 障害物に近づいたときなどは、ドライブペダルを放してドライブを解除します。

## SavE 機能を有効にするには

本製品には、長時間の動作を実現するバッテリー節約機能 (SavE) が備わっています。

1. SavE ボタン (A) を押すと、SavE 機能が始動します。ディスプレイに SavE マーク (B) が表示されます。
2. もう一度 SavE ボタンを押すと、機能が停止します。ディスプレイ上の SavE マーク (B) が消えます。(図 59)

地面の状態に応じて高い出力が必要になると、SavE 機能は自動的に停止します。SavE 機能は、地面の状態により、自動的に再開されます。

## パワーブースト機能

長い芝や濡れた芝を刈り取るときは、モーターの回転数が自動的に増加します。バッテリーを節約するため、パワーブースト機能が不要になると、モーターは自動的に標準モードに戻ります。

## 本製品の停止方法

3 分間操作しないと、本製品は自動的に停止します。

1. モーターブレーキハンドルを放すと、モーターは停止します。(図 21)
2. コントロールパネルの ON/OFF ボタンを押します。ディスプレイのすべての LED ライトとマークが消えます。(図 60)
3. 安全キーを安全ロックから取り外し、安全キーホルダーに入れます。

## 良好に芝を刈る方法

- 必ず鋭利なブレードを使用してください。ブレードが鈍っていると、刈り取りにばらつきが出て、芝の切口が黄ばみます。鋭利なブレードを使用すると、鈍いブレードを使用した場合より労力が少なくて済みます。
- 芝の長さの 1/3 以上刈らないでください。まず刈高を高く設定して刈ります。結果を確認し、必要なレベルまで刈高を下げます。芝がかなり長い場合は、ゆっくり運転し、必要に応じて刈り取り作業を 2 回行ないます。
- 1 回目と 2 回目は別の方向に向かって刈り、芝面に筋がつかないようにします。

## グラスキャッチャーやマルチプラグを取り付けずに芝を刈る(LC 551iV)

1. 後部カバーを持ち上げてグラスキャッチャーを取り外します。
2. マルチプラグとマルチブレードが取り付けられている場合は、取り外します。
3. 製品を操作する前に、後部カバーを閉じてください。

製品を操作すると、刈り取られた芝が後部カバーの下に排出されます。

# メンテナンス

## はじめに



**警告：** メンテナンスを行う前に、安全に関する章をお読みになり、内容を理解してください。

本製品のすべての整備と修理作業には、特別な訓練が必要です。当社では責任をもって専門的な修理と整備作業を提供します。お客様の販売店がサービス代理店でない場合は、最寄りのサービス代理店に関する情報をお問い合わせください。

## メンテナンススケジュール

メンテナンス間隔は、本製品が毎日使用されることを前提に算出されています。本製品を毎日使用しない場合は、メンテナンス間隔が変わります。

\* の印の付いたメンテナンスについては、**操作のための安全注意事項 283** ページを参照してください。

	使用した つど	毎月	季節ごと
一般点検の実施	X		

	使用した とど	毎月	季節ごと
トランスミッションカバーの清掃。モーターに芝が付着していないことを確認します。	X		
始動抑制装置の点検*	X		
本製品の安全装置に不具合がないことを確認*	X		
グラスキャッチャーに摩耗や劣化がないかの点検	X		
カッティング装置の点検	X		
カッティングカバーの点検*	X		
モーターブレーキハンドルの点検*	X		
ON/OFF ボタンが正しく機能し、不具合がないことの確認	X		
バッテリーに損傷がないかの点検	X		
バッテリー充電の点検	X		
バッテリーリリースボタンが正常に作動し、本製品にバッテリーをロックできるか確認	X		
吸気口の清掃。吸気口に草や土が付着していないことを確認します。	X		
バッテリー充電器に損傷がないか点検して、正しく作動することを確認します。		X	
バッテリーと本製品の接続部の点検。バッテリーとバッテリー充電器の接続部も確認します。			X

## 一般点検の実施方法

- 製品のナットとネジが締め込まれていることを確認してください。
- 製品のケーブルが損傷しやすい場所に配置されていないことを確認してください。

## ブレードの交換方法

- ブレードを木製ブロックでロックします。(図 61)
- ブレードボルト、スプリングワッシャー、ブレードを取り外します。(図 62)
- ブレードサポートとブレードボルトに損傷がないか点検します。
  - ブレードまたはブレードサポートを交換する場合は、ブレードボルト、スプリングワッシャー、フリクションワッシャーも交換してください。
- モーターシャフトが曲がっていないかどうか点検します。
- 新しいブレードを取り付けるときは、角度がついた端の部分をカッティングカバーの方向に向けます。(図 63)
- フリクションワッシャーとブレードをブレードサポートに取り付けます。(図 64)
- ブレードがモーターシャフトの中心と合っていることを確認します。(図 65)

- ブレードを木製ブロックでロックします。(図 66)
- スプリングワッシャーを取り付け、ボルトを 65-75 Nm のトルクで締め付けます。(図 67)
- 手でブレードを引き回して、引っかかりなく回転することを確認します。



**警告：** 保護グローブを着用してください。ブレードは非常に鋭利なため、切り傷を負う危険性があります。

- 製品を始動してブレードのテストを実施します。ブレードが正しく取り付けられていない場合、製品に振動が発生するか、良好な刈り取り結果を得られません。

## 製品の清掃方法

- プラスチック部品は清潔で乾燥した布で清掃してください。
- 本製品を水で洗浄しないでください。バッテリーやモーターに水が浸入して、本製品が短絡したり、破損したりする原因となります。
- 本製品の清掃には高圧水を使用しないでください。
- モーターに直接水をかけないでください。
- ブラシで、葉、草、土を取り除いてください。



## バッテリーとバッテリー充電器の清掃方法



**注意：** バッテリーまたはバッテリー充電器は、水で洗淨しないでください。

- バッテリーをバッテリー充電器にセットする前に、バッテリーとバッテリー充電器に汚れがなく、乾燥していることを確認してください。
- 圧縮空気を使用してバッテリー端子を清掃するか、柔らかい乾いた布で拭いてください。
- バッテリーとバッテリー充電器の表面を柔らかい乾いた布で拭いてください。

## カッティング装置の点検方法



**警告：** 誤って始動しないようにするために、安全キーを引き上げ、バッテリーを取り外してから5秒間以上待ちます。



**警告：** カッティング装置のメンテナンスを実施するときは、保護グローブを着用してください。ブレードは非常に鋭利なため、切り傷を負う危険性があります。

1. カッティング装置に損傷やひび割れがないかどうか点検してください。損傷したカッティング装置は必ず交換してください。
2. ブレードが破損していないか、鈍くなっていないかを確認してください。

**注記：** ブレードの目立て後は、ブレードのバランス調整が必要です。サービスセンターに依頼して、ブレードの目立て、交換、バランス調整を受けてください。製品が障害物に当たって停止した場合は、破損したブレードを交換してください。サービスセンターに依頼して、ブレードの目立てが可能かどうか、交換が必要かどうかを判断してもらってください。

## トラブルシューティング

### バッテリー

バッテリーのLED	想定される障害	可能な手順
緑色のLED点滅	バッテリー電圧の低下	バッテリーの充電。バッテリーの充電方法 289 ページを参照してください。
エラーLEDが点滅	バッテリーが弱い	バッテリーの充電。バッテリー 292 ページを参照してください。
	作業環境の温度が高すぎる、または低すぎる	バッテリーは -10°C ~ 40°C の温度で使用してください。
	過電圧	主電源電圧が、本製品の銘板に記載された電圧と同じかどうか確認してください。  バッテリー充電器からバッテリーを外します。5秒待ってから、もう一度バッテリーを充電してください。問題が解決しない場合は、認定サービス代理店に相談してください。
エラーLEDが点灯	電池の電位差が大きすぎる (1V)	認定サービス代理店に相談してください。

### バッテリー充電器

バッテリー充電器のLED	想定される障害	可能な手順
エラーLEDが点滅	作業環境の温度が高すぎる、または低すぎる	5°C ~ 40°C の温度でバッテリー充電器を使用してください。
エラーLEDが点灯		認定サービス代理店に相談



## コントロールパネル

エラーコード (点滅回数)	想定される障害	可能な手順
1	トランスミッションモーターが高温です。	本製品を冷却してください。トランスミッションに芝が付着していないことを確認します。必要に応じて、トランスミッションカバーを清掃します。
5	モーター速度の低下により、モーターが停止しました。	カッティングテッキを清掃し、刈高を上げます。刈高の設定方法 288 ページを参照してください。エラーが解決しない場合は、認定サービス代理店に相談してください。
8	バッテリーが残りわずかです。	バッテリーを充電してください。バッテリーの充電方法 289 ページを参照してください。
9	バッテリーのエラー、またはバッテリーからの信号がありません。	バッテリーを製品に正しく取り付け、バッテリーのコネクターを点検してください。バッテリーのエラー LED が点滅する場合は、バッテリー 288 ページを参照してください。
10	モーターコントロールが高温です。	モーターを停止し、温度が下がるまで待ちます。
その他のエラー	その他のエラーが発生した場合は、安全キーとバッテリーを取り外して、認定サービス代理店にお問い合わせください。	

## 搬送、保管、廃棄

### はじめに



**警告：**搬送中に誤って始動しないようにするために、安全キーを引き上げ、バッテリーを取り外してから 5 秒間以上待ちます。

- バッテリーのコネクターにテープを貼り、搬送中にバッテリーが動かないようにしてください。
- 搬送中、本製品を固定してください。

### 保管

### 製品を搬送位置にセットする方法 (LC 551iV)

1. 下側ノブを緩めます。
2. 本製品の左右にある溝の下端までノブを動かします。(図 31)
3. ハンドルを前側に折り畳みます。(図 68)
4. グラスキャッチャーを取り外します。

### 搬送

- 付属のリチウムイオン電池には、危険物の規制に関する規則が適用されます。
- 商用搬送においては、梱包およびラベル付けに関する特別な要件を遵守する必要があります。
- 本製品の搬送準備をする際は、危険物に関する規制を遵守していることを確認してください。地域の規制が適用されることがあります。
- 搬送時は常にバッテリーを外してください。
- 保管時は常にバッテリーを外してください。
- 事故防止のため、保管時はバッテリーが本製品に接続されていないことを確認してください。
- バッテリー充電器は、密閉された乾燥した場所に保管してください。
- 湿気や霜が発生しない乾燥した場所に、バッテリーとバッテリー充電器を保管してください。
- 保管時は、バッテリーをバッテリー充電器から取り外してください。
- 静電気が発生するような場所にはバッテリーを保管しないでください。バッテリーは金属製の箱に保管しないでください。
- バッテリーは、5°C ~ 25°C の温度環境で直射日光に当たらない場所に保管してください。
- バッテリー充電器は、5°C ~ 45°C の温度環境で直射日光に当たらない場所に保管してください。
- バッテリーを長期間保管する前に、バッテリー充電量を 30% ~ 50% にしてください。
- 製品、バッテリー、バッテリー充電器は、鍵のかかる場所に保管し、子供や許可されていない人の手が届かないようにしてください。

- 製品を長期間保管する前に、製品を清掃し、完全に整備してください。

## 廃棄

本製品や本製品パッケージ上のマークは、本製品が家庭ゴミとして取り扱われてはならないことを示します。電気・電子機器の再利用を行うため、適切なリサイクル営業所に引き渡す必要があります。

以上を遵守することで、本製品は正しく処理され、本製品を不適切に廃棄した場合に環境や人に与えられる悪影響を防止することができます。本製品のリサイクルについての詳細は、あなたの所在する地区の地方自治体、廃棄物処理サービス、本製品を購入した代理店に連絡してください。

(図 69)

## 主要諸元

### 主要諸元

	LB 548i	LC 551iV
<b>カッティングモーター</b>		
モータータイプ	BLDC ( ブラシレス ) 36 V	BLDC ( ブラシレス ) 36 V
モーター回転数 - SavE、r/min*	2600	2600
モーター回転数 - 公称、r/min*	3000	3000
モーター回転数 - 高負荷、r/min*	3300	3300
モーター出力 - 最大、kW	1.8	1.8
モーター出力 - 公称、kW	1.5	1.5
<b>駆動モーター</b>		
モーター出力 - 公称、kW	該当なし	0.3
自走速度、km/h	該当なし	3.0-5.0
速度調整レベル	該当なし	4
<b>質量</b>		
バッテリーを除いた質量、kg	31	41
<b>バッテリー</b>		
バッテリーの種類	Husqvarna バッテリーシリーズ	Husqvarna バッテリーシリーズ
<b>バッテリー稼働時間</b>		
バッテリー稼働時間、分、( 無負荷 ) SavE ( セーブイ ) オン、Husqvarna 製 5.2 Ah バッテリー ( Bli200 ) 1 個の場合	40	30
バッテリー稼働時間、分、( 無負荷 ) 標準モードオン、Husqvarna 製 5.2 Ah バッテリー ( Bli200 ) 1 個の場合	30	20
<b>騒音排出<sup>40</sup></b>		
音響パワーレベル、測定 dB ( A )	93	97
音響パワーレベル、L <sub>WA</sub> dB ( A ) により保証	93	97
<b>音量レベル<sup>41</sup></b>		
使用者の耳における音圧レベル ( dB ( A ) )	80	84

<sup>40</sup> 環境における騒音排出は、EC 指令 2000/14/EC に従って、音響パワー ( L<sub>WA</sub> ) として測定。

<sup>41</sup> 報告データによれば、騒音音圧レベルの一般的な統計上のばらつき ( 標準偏差 ) は、1.2 dB ( A ) です。

	LB 548i	LC 551iV
<b>振動レベル</b> <sup>42</sup>		
ハンドル、m/s <sup>2</sup>	0.3	0.3
<b>カッティング装置</b>		
刈高、mm	20-75	20-75
切削幅、cm	48	51
標準ブレード	マルチブレード 597466510	コレクトブレード 597466310
ブレードアクセサリ	該当なし	マルチブレード 597466410
グラスキャッチャー容量、リットル	該当なし	65

\* 1 分間あたりの回転数

認可されたバッテリー	型式	バッテリー容量 (Ah)	電圧 (V)	質量、ポンド / kg
BLi20	リチウムイオン	4.0	36	2.6/1.2
BLi200	リチウムイオン	5.2	36	2.8/1.3
BLi300	リチウムイオン	9.4	36	4.1/1.9
BLi550X	リチウムイオン	15.6	36	12.4/5.6
BLi950X	リチウムイオン	31.1	36	15.4/7.0

指定バッテリーに適合する認定充電器、BLI	入力電圧、V	周波数、Hz	電力、W
QC80	100 ~ 240	50/60	80
QC80F	12	0	80
QC330	100 ~ 240	50/60	330
QC500	100 ~ 240	50/60	500

<sup>42</sup> 報告データによれば、等価振動レベルの一般的な統計上のばらつき（標準偏差）は、0.2 m/s<sup>2</sup> です。振動基準 EN 60335-2-77:2017 20.105 章

---

## EC 適合性宣言

---

### EC 適合性宣言

Husqvarna AB、SE-561 82 Huskvarna、スウェーデン、電話：+46-36-146500 は、2019 年以降に製造された芝刈機 Husqvarna LB 548i, LC 551iV が、評議会指令 ( COUNCIL'S DIRECTIVE ) の規定に適合していることを宣言します。

- 2011 年 6 月 8 日付「電気・電子製品に含まれる特定有害物質の使用制限に関する」2011/65/EU
- 2006 年 5 月 17 日付「機械類に関する」2006/42/EC
- 2014 年 2 月 26 日付「電磁波適合性に関する」2014/30/EU
- - 2000 年 5 月 8 日付け「環境への騒音排出に関する」2000/14/EC

騒音排出に関する情報は、主要諸元を参照してください。

次の標準規格にも適合しています。

IEC 60335-1:2010, IEC 60335-2-77:2002, EN 60335-1:2012, EN 60335-2-77:2010 EN/IEC 62233:2008 EN 61000-6-3:2005 EN 61000-6-1:2005

別途記載のない限り、上記規格が最新版です。

試験機関：0404, RISE SMP Svensk Maskinprovning AB, Box 7035, SE-750 07 Uppsala は、評議会指令 2000/14/EC の付録 VI に基づいて、適合性評価を実施し以下の番号で証明書を発行しました：01/901/324 (LB 548i), 01/901/323 (LC 551iV)

Huskvarna, 2020-01-20



開発マネージャー / ガーデン製品担当 Claes Losdal ( / スクバーナ AB 正式代表兼技術文書担当 )

---

# TURINYS

---

<b>Įvadas</b> .....	<b>297</b>	<b>Gedimai ir jų šalinimas</b> .....	<b>311</b>
<b>Sauga</b> .....	<b>299</b>	<b>Transportavimas, saugojimas ir utilizavimas</b> .....	<b>313</b>
<b>Surinkimas</b> .....	<b>306</b>	<b>Techniniai duomenys</b> .....	<b>313</b>
<b>Naudojimas</b> .....	<b>307</b>	<b>EB atitikties deklaracija</b> .....	<b>316</b>
<b>Techninė priežiūra</b> .....	<b>310</b>		

---

## Įvadas

---

### Gaminio aprašas

Šis produktas yra savaeigė sukamoji vejapjovė. Modelis LB 548i naudoja „BioClip“ žolę į trąšas smulkinti.

Modelis LC 551iV surenka žolę žolės rinktuve. Jei norite, kad žolė būtų išmetama per galą, išimkite žolės rinktuvą.

### Gaminio apžvalga

(Pav. 1)

1. Valdymo skydelis
2. Variklio stabdymo rankena
3. Apsauga nuo netyčinio paleidimo
4. Žolės rinktuvas (LC 551iV)
5. Galinis dangtis(LC 551iV)
6. Apsauginis raktelis
7. Rankenėlė (LC 551iV)
8. Reguliavimo svirties rankenėlė (LB 548i)
9. Akumuliatoriaus gaubtas
10. Pjovimo aukščio valdiklis (LC 551iV)
11. ĮJUNGIMO / IŠJUNGIMO mygtukas
12. „SavE“ mygtukas
13. „SavE“ indikatorius
14. Akumuliatoriaus indikatorius
15. Greičio indikatorius
16. Greičio mažinimo mygtukas
17. Greičio didinimo mygtukas
18. Klaidos diodas
19. Pjovimo gaubtas
20. Oro įleidimo angos
21. Nominaliųjų parametrų plokštelė
22. Pavaros rankena (LC 551iV)
23. Akumuliatoriaus įkroviklis (priedas)
24. Akumuliatorius (priedas)
25. Akumuliatorių blokas (priedas)
26. Adapterio plokštelė (priedas)
27. Akumuliatorių bloko adapteris (priedas)
28. Naudojimo instrukcija

Jei žolę norite susmulkinti kaip trąšas, pridėkite mulčiovimo priedą.

### Naudojimas

Gaminį naudokite žolei privačiuose soduose pjauti. Nenaudokite gaminio kitiems darbams.

### Simboliai ant gaminio

(Pav. 2)

**ĮSPĖJIMAS.** Šis gaminys gali būti pavojingas ir rimtai sužeisti arba pražudyti naudotoją arba aplinkinius. Būkite atsargūs ir tinkamai naudokite gaminį.

(Pav. 3)

Prieš naudodami gaminį atidžiai perskaitykite naudojimo instrukciją ir įsitinkinkite, kad instrukcijas suprantate.

(Pav. 4)

Asmenims ir gyvūnams būtina laikytis saugaus atstumo nuo darbo zonos.

(Pav. 5)

Saugokitės išmetamų ir rikošetu atšokusiu daiktų.

(Pav. 6)

Įspėjimas: Saugokite rankas bei kojas ir

nekiškite jų prie besisukančio peilio.

(Pav. 7) Įspėjimas: Saugokite rankas bei kojas ir nekiškite jų prie besisukančių dalių.

(Pav. 8) Prieš remontuodami ar atlikdami techninę apžiūrą, išimkite apsauginį raktelį.

(Pav. 9) **Aplinkosaugos simbolis.** Gaminys ar gaminio pakuotė nepriskiriami buitiniams atliekoms. Nuvežkite jį į įgaliotą elektros ir elektronikos įrenginių utilizavimo vietą.

(Pav. 10) Šis gaminys atitinka taikomas ES direktyvas.

(Pav. 11) Šis gaminys atitinka taikomas Eurazijos muitų sąjungos direktyvas.

(Pav. 12) Šis gaminys atitinka taikomas UkrSEPRO direktyvas.

(Pav. 13) Šis gaminys atitinka taikomas RMC direktyvas. Taikoma tik AU / NZ

(Pav. 14) Triukšmo emisija į aplinką atitinka taikomas EB direktyvas. Gaminio skleidžiamas triukšmas nurodytas *Techniniai duomenys psl. 313* ir ant lipduko.

**IPX4** Apsaugotas nuo vandens pusrū.  
**IPX4**

(Pav. 19) Paleidimo procedūra: paspauskite [JUNGIMO / IŠJUNGIMO] mygtuką, atleiskite apsaugą nuo nevyčinio paleidimo, nuspauskite variklio stabdymo rankeną.

(Pav. 15) Norėdami sustabdyti variklį, atleiskite variklio stabdymo rankeną.

(Pav. 16) Lėtai

(Pav. 17) Greitai

(Pav. 18) Nuskaitomas kodas

---

**Pasižymėkite:** Kiti ant gaminio esantys simboliai (lipdukai) yra naudojami pagal kai kurių rinkų sertifikavimo reikalavimus.

---

## Etiketė ant gaminio

(Pav. 20)

Saugokite rankas bei kojas ir nekiškite jų prie besisukančių peilių.

## Atsakomybė už gaminį

Kaip nurodyta atsakomybės už gaminį įstatymuose, mes nesame atsakingi už mūsų gaminio sukeltą žalą, jei:

- gaminys netinkamai suremontuotas;
- gaminys suremontuotas naudojant kito gamintojo arba gamintojo nepatvirtintas dalis;
- gaminys turi kito gamintojo arba gamintojo nepatvirtintą priedą;
- gaminys suremontuotas ne patvirtintame techninės priežiūros centre arba jį suremontavo ne patvirtintas atstovas.

### Saugos ženklų reikšmės

Įspėjimai, perspėjimai ir pastabos yra skirtos atkreipti dėmesį į ypač svarbias instrukcijos dalis.



#### **PERSPĖJIMAS:**

Naudojamas, kai naudotojui ar šalia esantiems asmenims kyla mirtino arba sunkaus sužeidimo pavojus arba, jei nesilaikoma naudotojo instrukcijoje pateiktų nurodymų.



**PASTABA:** Naudojamas, kai kyla pavojus sugadinti gaminį, kitas medžiagas arba padaryti žalą aplinkai, jei nesilaikoma naudotojo instrukcijoje pateiktų nurodymų.

**Pasižymėkite:** Naudojama pateikti daugiau, nei būtina esamoje situacijoje, informacijos.

---

### Bendrieji saugos nurodymai



**PERSPĖJIMAS:** Prieš naudodami gaminį, perskaitykite toliau esančius įspėjimus.

---

- Netinkamai arba neatidžiai naudojant šis gaminys yra pavojingas. Jei nesilaikysite saugos nurodymų, kyla sužeidimų arba mirties pavojus.
- Šis gaminys veikdamas sukuria elektromagnetinį lauką. Tam tikromis aplinkybėmis šis laukas gali trikdyti aktyviųjų arba pasyviųjų medicininių implantų veiklą. Kad sumažėtų sunkių ar mirtinų sužeidimų pavojus, medicininių implantų turintiems asmenims rekomenduojame prieš naudojant šį gaminį pasitarti su gydytoju ir implanto gamintoju.
- Visada elkitės atsargiai ir vadovaukitės sveiku protu. Jei tiksliai nežinote, kaip naudoti gaminį konkrečioje situacijoje, sustabdykite darbą ir prieš tęsdami darbą pasitarkite su „Husqvarna“ pardavimo atstovu.

- Atsiminkite, kad už nelaimingus atitikimus, kurių metu nukentės asmenys ar turtas, bus atsakingas naudotojas.
- Rūpinkitės gaminio švara. Įsitikinkite, kad galite aiškiai perskaityti ženklus ir lipdukus.
- Neleiskite vaikams bei suaugusiems, nesusipažinusiems su instrukcijomis, naudotis įrenginiu. Gali būti, kad pagal vietos teisės aktus ribojamas naudotojo amžius.
- Visada prižiūrėkite gaminį naudojantį fizinę arba protinę negalią turintį asmenį. Būtina nuolatinė atsakingo suaugusiojo priežiūra.
- Neekspluatuokite gaminio, jeigu esate pavargę, sergate, vartojote alkoholio, narkotikų ar vaistų. Tai neigiamai veikia jūsų regėjimą, nuovoką ar koordinaciją.
- Neekspluatuokite gaminio, jei jis sugadintas.
- Nekeiskite gaminio ir nenaudokite jo, jei jį galėjo pakeisti kiti.

## Sauga darbo vietoje



**PERSPĖJIMAS:** Prieš naudodami gaminį,

perskaitykite toliau esančius įspėjimus.

- Prieš naudodami gaminį nuo darbo zonos pašalinkite tokius objektus, kaip šakos, šakelės ir akmenys.
- Atsitrenkę į pjovimo įrangą objektai gali atšokti ir sužeisti asmenis bei sugadinti daiktus. Šalia esantiems asmenims ir gyvūnams būtina laikytis saugaus atstumo nuo gaminio.
- Gaminio niekuomet nenaudokite blogu oru, pvz., kai pakyla rūkas, lyja, pučia stiprus vėjas, stipriai šąla ir gali žaibuoti. Darbas gaminiu blogu oru arba drėgnose ar šlapiose vietose yra varginantis. Blogu oru gali susidaryti pavojingos sąlygos, pvz., slidūs paviršiai.
- Saugokitės asmenų, daiktų ir tam tikrų situacijų kurios gali neleisti saugiai naudoti gaminio.
- Saugokitės kliūčių, pvz., šaknų, akmenų, šakelių, duobių ir griovių. Aukštoje žolėje kliūtys gali būti nematomos.
- Gali būti pavojinga pjauti žolę įkalnėse. Nepjaukite pernelyg stačiuose šlaituose.



- Nenaudokite gaminio, jei šlaitas yra statesnis nei 15°
- Būkite ypač atsargūs keisdami judėjimo kryptį ant kalno šlaitų. Šlaitus pjaukite skersai. Nevažiuokite į viršų ir žemyn.
  - Būkite atsargūs artėdami prie nematomų kampų ir daiktų, kurie užstoja vaizdą.

## Darbo sauga



**PERSPĖJIMAS:** Prieš naudodami gaminį, perskaitykite toliau esančius įspėjimus.

- Gaminį naudokite tik vejų žolei pjauti. Neleidžiama jo naudoti kitoms užduotims atlikti.
- Naudokite asmenines apsaugines priemones. Žr. *Asmeninės apsauginės priemonės psl. 302.*
- Įsitikinkite, kad žinote, kaip greitai sustabdyti variklį nelaimės atveju.
- Nenaudokite gaminio lietuje arba drėgnoje aplinkoje. Į gaminį patekus vandens, padidėja elektros smūgio pavojus.
- Nenaudokite gaminio tinkamai neuždengę peilio ir neuždėję kitų dangčių. Netinkamai uždėtas peilis gali atsilaisvinti ir sužeisti.
- Užtikrinkite, kad peilis neatsitrenktų į tokius objektus, kaip akmenys ir šaknys. Tai gali sugadinti peilį ir sulenkti variklio veleną. Sulenkta ašis sukelia didelę vibraciją ir kyla didžiulis pavojus, kad peilis atsilaisvins.
- Jei į peilį atsitrenkia objektas arba susidaro vibracijos, nedelsdami sustabdykite gaminį. Sustabdykite variklį, ištraukite apsauginį raktelį ir išimkite akumuliatorių. Patikrinkite, ar gaminys neapgadintas. Pataisykite sugadintas dalis arba remonto darbus perleiskite įgaliotajam techninės priežiūros atstovui.
- Niekada nepritvirtinkite variklio stabdymo rankenos prie rankenos visam laikui, kai variklis veikia.
- Padėkite gaminį ant stabilaus, plokščio paviršiaus ir paleiskite jį. Patikrinkite, ar peilis neliečia žemės ar kokių kitų daiktų.
- Visada būkite už gaminio, kai jį naudojate.
- Prižiūrėkite, kad visi ratukai būtų ant žemės ir abi rankas laikykite ant rankenos, kai naudojate gaminį. Saugokite rankas bei kojas ir neikiškite jų prie besisukančių peilių.

- Dirbant varikliui nepakreipkite gaminio.
- Būkite atsargūs, kai gaminį traukiate atgal.
- Dirbant varikliui niekada nekelkite gaminio. Jei reikia pakelti gaminį, pirmiausia išjunkite variklį, ištraukite apsauginį raktelį ir išimkite akumuliatorių.
- Naudodami gaminį neikite atgal.
- Veždami įrenginį per zonas be žolės, pvz., žvirgždo, akmenų ir asfalto takelius, sustabdykite variklį.
- Dirbant varikliui nebėkite su gaminiu. Naudodami gaminį visada eikite.
- Prieš pakeisdami pjovimo aukštį pirmiausia išjunkite variklį. Niekada nereguliuokite varikliui veikiant.
- Niekada nepaleiskite gaminio iš akių, kai veikia variklis. Išjunkite variklį ir įsitikinkite, kad pjovimo įranga nesisuka.
- Asmeninės apsauginės priemonės nepadės visiškai išvengti pavojaus susižeisti, tačiau nelaimingo atsitikimo atveju mažiau nukentėsite. Leiskite prekybos atstovui padėti pasirinkti tinkamą įrangą.
- Avėkite patvarius, neslystančius batus. Neavėkite atvirų batų ir nebūkite basi.
- Dėvėkite storas, ilgas kelnes.
- Kai būtina, pvz., montuojant, apžiūrint arba valant pjovimo įrangą, užsimaukite apsaugines pirštines.

### Gaminio apsauginės priemonės



**PERSPĖJIMAS:** Prieš naudodami gaminį, perskaitykite toliau esančius įspėjimus.

- Nesinaudokite gaminiu, jei jo apsauginės priemonės yra netvarkingos.
- Reguliariai tikrinkite apsaugines priemones. Jei apsauginės priemonės yra pažeistos, pasitarkite su Husqvarna techninės priežiūros atstovu.

### Naudojimo saugos instrukcijos

#### Asmeninės apsauginės priemonės



**PERSPĖJIMAS:** Prieš naudodami gaminį, perskaitykite toliau esančius įspėjimus.

## Atlikite pjovimo gaubto patikrą.

Pjovimo gaubtas sumažina gaminio vibracijas ir sumažina disko keliamą sužeidimų pavojų.

- Apžiūrėkite pjovimo gaubtą, kad įsitikintumėte, jog nėra pažeidimų, pvz., įtrūkių.

## Apsauginis raktelis

Apsauginis raktelis yra po akumulatoriaus gaubtu. Apsauginis raktelis prijungia akumuliatorių, kuris tiekia varikliui energiją.

## Norėdami patikrinti apsauginį raktelį

Apsauginis raktelis prijungia akumuliatorių, kuris tiekia varikliui energiją.

- Paleidžia ir sustabdo variklį. Jei apsauginis raktelis veikia tinkamai, variklį galima paleisti tik įstačius raktelį į apsauginę spynele.

## Variklio stabdymo rankena

Variklio stabdymo rankena sustabdo variklį. Atleidus variklio stabdymo rankeną variklis sustoja.

Norėdami patikrinti variklio stabdį, paleiskite variklį ir atleiskite variklio stabdymo

rankeną. Jei variklis nesustoja per 3 sekundes, paprašykite, kad įgaliotasis „Husqvarna“ techninės priežiūros atstovas sureguliuotų variklio stabdį.

(Pav. 21)

## Apsaugos nuo netyčinio užvedimo patikrinimas

Patikrinkite apsaugą nuo netyčinio užvedimo ir įsitikinkite, kad ji neleidžia užvesti variklio.

1. Pastumkite variklio stabdymo rankeną link gaminio rankenos. Apsauga nuo netyčinio užvedimo neleidžia judėti.
2. Išstumkite apsaugą nuo netyčinio užvedimo. (Pav. 22)
3. Atleiskite apsaugą nuo netyčinio užvedimo ir įsitikinkite, kad ji grįžta į savo pradinę padėtį.

## Akumuliatorių naudojimo sauga



**PERSPĖJIMAS:** Prieš naudodami gaminį, perskaitykite toliau esančius įspėjimus.

- Kaip susijusių „Husqvarna“ gaminių

- maitinimo šaltinį naudokite tik „Husqvarna“ įkraunamus akumulatorius. Kad išvengtumėte sužeidimų, nenaudokite akumulatoriaus kaip kitų gaminių maitinimo šaltinio.
- Nenaudokite neįkraunamų akumuliatorių.
  - Elektros smūgio pavojus. Nejunkite akumulatoriaus gnybtų prie raktų, monetų, atsuktuvų ar kitų metalinių daiktų. Galite sukelti akumulatoriaus trumpąjį jungimą.
  - Nekiškite objektų į akumulatoriaus oro angas.
  - Saugokite akumuliatorių nuo tiesioginių saulės spindulių, karščio ar atviros ugnies. Akumulatorius gali sprogti ir sukelti terminius ir (arba) cheminius nudegimus.
  - Saugokite akumuliatorių nuo lietaus ir drėgmės.
  - Saugokite akumuliatorių nuo mikrobangų ir aukšto slėgio.
  - Nebandykite akumulatoriaus išmontuoti ar sulaužyti.
  - Jei iš akumulatoriaus teka skystis, saugokite nuo jo kūną ir akis. Jei palietėte skystį, gerai nuplaukite šią vietą vandeniu ir kreipkitės pagalbos į medikus.
  - Akumuliatorių naudokite nuo  $-10\text{ }^{\circ}\text{C}$  iki  $40\text{ }^{\circ}\text{C}$  temperatūroje.
  - Nevalykite akumulatoriaus ar įkroviklio vandeniu. Žr. *Akumulatoriaus ir akumulatoriaus įkroviklio valymas psl. 311*
  - Nenaudokite sugadinto arba pažeisto akumulatoriaus.
  - Laikykite akumulatorius atokiau nuo metalinių daiktų, pavyzdžiui, vinių, monetų, juvelyrinių dirbinių.

### Įkroviklio sauga



**PERSPĖJIMAS:** Prieš naudodami gaminį, perskaitykite toliau esančius įspėjimus.

- „Husqvarna“ pakaitiniams akumulatoriams įkrauti naudokite tik QC akumuliatorių įkroviklius.
- Elektros smūgio ar trumpojo jungimo pavojus. Nekiškite objektų į įkroviklio oro angas. Nebandykite išmontuoti akumulatoriaus įkroviklio. Neprijunkite įkroviklio gnybtų prie metalinių daiktų. Naudokite patvirtintą elektros tinklo lizdą.
- Šis gaminys veikdamas sukuria elektromagnetinį

lauką. Tam tikromis aplinkybėmis šis laukas gali trikdyti aktyviųjų arba pasyviųjų medicininių implantų veiklą. Kad sumažėtų sunkaus ar netgi mirtino sužeidimo pavojus, medicininių implantų turintiems asmenims rekomenduojame prieš naudojant šį gaminį pasitarti su gydytoju ir implanto gamintoju.

- Nuolat patikrinkite akumuliatoriaus įkroviklio maitinimo laidą, ar jis nepažeistas ir nėra įtrūkimų.
- Nekelkite akumuliatoriaus įkroviklio už maitinimo laido. Norėdami atjungti akumuliatoriaus įkroviklį nuo elektros lizdo, traukite už kištuko. Netraukite už elektros laido.
- Maitinimo laidą ir ilginamuosius kabelius saugokite nuo vandens, alyvos ir aštrių kampų. Būkite atidūs, kad kabelio neprispaustų durys, tvoros ar pan. Priešingu atveju įkrovikliu gali imti tekėti elektros srovė.
- Nevalykite akumuliatoriaus įkroviklio vandeniu.
- Akumuliatoriaus įkroviklį gali naudoti vaikai nuo 8 metų amžiaus ir kiti asmenys su

ribotais fiziniais, jutiminiais ar protiniais sugebėjimais, arba stokojantys patirties ar žinių, jei yra prižiūrimi arba instruktuoti dėl saugaus akumuliatoriaus įkroviklio naudojimo ir supranta gresiančius pavojus. Vaikams su akumuliatoriaus įkrovikliu žaisti negalima. Be priežiūros vaikai neturėtų valyti prietaiso ir atlikti naudotojo priežiūros darbų.

- Akumuliatorių įkrovikliu nekraukite neįkraunamų akumuliatorių.
- Nenaudokite akumuliatoriaus įkroviklio šalia degių arba koroziją sukeliančių medžiagų. Neuždenkite įkroviklio. Pastebėję dūmus ar liepsną, ištraukite akumuliatoriaus įkroviklio kištuką.
- Nenaudokite sugadinto arba pažeisto akumuliatoriaus įkroviklio.
- Įkraukite akumuliatorių tik viduje, gerai vėdinamoje patalpoje, saugodami nuo saulės spindulių. Nekraukite akumuliatoriaus drėgnomis sąlygomis.

### Priežiūros saugos instrukcijos



**PERSPĖJIMAS:** Prieš imdamiesi naudoti gaminį

perskaitykite toliau nurodytus įspėjamuosius nurodymus.

- Prieš atlikdami gaminio priežiūros darbus, ištraukite apsauginį raktelį.
- Kad gaminys tarnautų ilgiau ir sumažėtų nelaimingų atsitikimų pavojus, tinkamai atlikite priežiūros darbus. Profesionalius remonto darbus leiskite atlikti patvirtintam techninės priežiūros atstovui. Jei reikia daugiau informacijos, kreipkitės į artimiausią techninės priežiūros atstovą.
- Atlikite tik naudojimo instrukcijoje nurodytus techninės priežiūros darbus.
- Naudodami pjovimo įrangą, mūvėkite storas darbinės pirštines. Peilis labai aštrus ir gali lengvai įpjauti.

- Kad darbas vyktų saugiai ir efektyviai, pasirūpinkite, kad pjovimo briaunos būtų aštrios.
- Leiskite savo techninės priežiūros atstovui reguliariai tikrinti gaminį ir atlikti reikiamus nustatymo ir remonto darbus.
- Pakeiskite pažeistas, sulūžusias arba susidėvėjusias dalis.
- Laikykitės priedų keitimo nurodymų. Naudokite tik gamintojo priedus.
- Kai nenaudojate, laikykite gaminį, akumuliatorių ir akumulatoriaus įkroviklį atskirai, sausoje užrakintoje patalpoje. Pasirūpinkite, kad vaikai ir pašaliniai asmenys negalėtų pasiekti gaminio, akumuliatoriaus ar akumuliatoriaus įkroviklio.

---

## Surinkimas

---

### Įvadas



**PERSPĖJIMAS:** Prieš surinkdami gaminį perskaitykite ir supraskite skyrių apie saugą.

### Akumuliatorių bloko (priedas) įstatymas ir išėmimas

1. Nuo variklio gaubto nuimkite 4 guminius dangtelius ir išsukite 4 varžtus. (Pav. 23)
2. Uždėkite adapterio plokštelę ant variklio gaubto.
3. Pritvirtinkite adapterio plokštelę 4 pridedamais varžtais 5–6 Nm jėga. (Pav. 24)
4. Atidarykite akumuliatoriaus dangtį.
5. Išimkite akumuliatorių iš 1 lizdo. (Pav. 25)
6. Ištraukite kamštelį. (Pav. 26)
7. Stumkite akumuliatoriaus adapterį į akumuliatoriaus skyrių, kol išgirkite spragtelėjimą. (Pav. 27)
8. Praveskite akumuliatoriaus adapterį per kamštelio angą. Pritvirtinkite laidą spaustuku. (Pav. 28)
9. Uždėkite akumuliatorių bloką ant akumuliatoriaus adapterio.
10. Prijunkite akumuliatorių bloką prie akumuliatoriaus adapterio. (Pav. 29)
11. Pritvirtinkite akumuliatoriaus adapterio laidą prie rankenos 3 juostelėmis. (Pav. 30)
12. Išimkite akumuliatorių bloką atvirkštine tvarka.



**PERSPĒJIMAS:** Nepritvirtinkite laido prie rankenos per laisvai. Laidas gali nukristi nuo rankenos ir sukelti sužalojimą.

## Rankenos surinkimas (LC 551iV)

1. Atsukite apatinės rankenėles.
2. Stumkite rankenėles iki apatinio griovelių krašto kairėje ir dešinėje produkto pusėje. (Pav. 31)
3. Nustatykite rankenos aukštį į vieną iš dviejų aukščio padėčių.
4. Stumkite rankenėles į viršų link rankenos, kol jos sustos ir išgirsite spragtelėjimą. (Pav. 32)
5. Iki galo priveržkite rankenėles.

## Rankenos surinkimas (LB 548i)

1. Nuimkite rankenos veržlę ir poveržlę nuo plokštės ant viršutinės rankenos.
2. Įstatykite viršutinę rankeną į vietą virš apatinės rankenos.



**PASTABA:** Užtikrinkite, kad laidai neįstrigs ir nebus pažeisti.

3. Uždėkite poveržlę ir rankenos reguliavimo svirtį. (Pav. 33)

4. Naudodami produktą netoli sienos, pasukite rankeną į šoną, norėdami geros valdymo padėties. (Pav. 34)

## Žolės rinktuvo montavimas (LC 551iV)

1. Įdėkite žolės rinktuvo rėmą į žolės krepšį taip, kad standi krepšio dalis būtų apačioje. Rėmo rankeną laikykite žolės krepšio viršuje. (Pav. 35)
2. Įstatykite žolės rinktuvo rėmo apatinę dalį į griovelį žolės rinktuvo apačioje.
3. Pritvirtinkite žolės krepšį prie žolės rinktuvo rėmo fiksatoriais. (Pav. 36)
4. Pakelkite galinį dangtį.
5. Prikabinkite žolės rinktuvą prie viršutinio važiuoklės krašto.
6. Įdėkite apatinę žolės rinktuvo dalį į žolės išmetimo kanalą. (Pav. 37)

## Mulčiavimo priedo montavimas (LC 551iV priedas)

1. Pakelkite galinį gaubtą ir išimkite žolės rinktuvą.
2. Įstatykite mulčiavimo priedą į išmetimo kanalą. (Pav. 38)
3. Pakeiskite peilį mulčiavimo peiliu, pridėdamu prie mulčiavimo rinkinio. Žr. *Peilio keitimas psl. 311*.

## Naudojimas

### Įvadas



**PERSPĒJIMAS:** Prieš naudodami gaminį perskaitykite ir supraskite saugos skyriaus informaciją.

## Husqvarna Connect

Husqvarna Connect yra nemokama programėlė, skirta mobiliesiems įrenginiams. Programėlė Husqvarna Connect suteikia Husqvarna gaminiui papildomas funkcijas:

- Papildoma informacija apie gaminį.
- Informacija ir patarimai apie gaminio dalis ir priežiūrą.

## Norėdami pradėti naudoti Husqvarna Connect

1. Atsisiųskite „Husqvarna Connect“ programėlę į mobilųjį įrenginį.
2. Užsiregistruokite „Husqvarna Connect“ programėlėje.
3. Norėdami prisijungti ir užregistruoti gaminį, vykdykite „Husqvarna Connect“ programėlėje pateiktas instrukcijas.

## „Husqvarna Fleet Services™“

„Husqvarna Fleet Services™“ yra debesies sprendimas, teikiantis komercinio parko valdytoji galimybę peržiūrėti visus gaminius. „Husqvarna Fleet Services™“ yra įtrauktas į LC 551iV. Norėdami gauti daugiau informacijos apie „Husqvarna Fleet Services™“, užeiškite į [www.husqvarna.com](http://www.husqvarna.com).

## Jutiklio paruošimas (priedas)

1. Atidarykite jutiklio dangtį jutiklio raktu. (Pav. 39)
2. Nuimkite jutiklį.
3. Prijunkite akumuliatorių prie jutiklio. Įsiziėbia jutiklio lemputė. (Pav. 40)
4. Atsisiųskite programėlę „Husqvarna Fleet Services™“.
5. Prisijunkite prie programėlės Husqvarna Fleet Services™.
6. Susiekite. Žr. *Programėlės ir gaminio susiejimo operacija psl. 307*

## Programėlės ir gaminio susiejimo operacija

1. Prisijunkite prie programėlės Husqvarna Fleet Services™.
2. Programėlėje pasirinkite savo gaminį.

3. Nuskaitykite kodą už jutklio mobiliuoju įrenginiu, kad įdiegtumėte jutiklį programėlėje.

**Pasižymėkite:** Programėlės ir gaminio susiejimo operaciją pakanka atlikti vieną kartą.

### Jutklio diegimas

1. Įsitikinkite, kad jutiklis susietas su programėle Husqvarna Fleet Services™. Žr. *Programėlės ir gaminio susiejimo operacija psl. 307.*

2. Pragražkite 2 angas ties gaubto lizdo žymėmis. (Pav. 41)

**Pasižymėkite:** Įsitikinkite, kad angos vienodo skersmens kaip prie jutklio pridėdamos kniedės.

3. Replėmis nuimkite išorines jutklio lizdo angas. (Pav. 42)
4. Pragražkite 2 angas ties jutklio lizdo žymėmis. (Pav. 43)
5. Sulygiuokite jutklio lizdą su gaubto lizdu. (Pav. 44)
6. Pritvirtinkite jutiklį kniedėmis.
7. Įstatykite jutiklį į jutklio lizdą. Sulygiuokite baltą jutklio žymę su jutklio lizdo žyme. (Pav. 45)
8. Uždarykite jutklio dangtį ir užrakinkite jutklio raktą. Įsitikinkite, kad Husqvarna „H“ viršus nukreiptas nuo saugos raktelio. (Pav. 46)

### Gaminio nustatymas į darbinę padėtį (LC 551IV)

1. Pakelkite rankeną į viršų. (Pav. 47)
2. Stumkite rankenėles į viršų link rankenos, kol jos sustos ir išgirsite spragtelėjimą. (Pav. 32)
3. Iki galo priveržkite rankenėles.

### Pjovimo aukščio nustatymas

Galima nustatyti 6 pjovimo aukščio padėtis.

1. Pastumkite pjovimo aukščio valdiklį rato kryptimi ir atgal, kad padidintumėte pjovimo aukštį.
2. Pastumkite pjovimo aukščio valdiklį rato kryptimi ir pirmyn, kad sumažintumėte pjovimo aukštį. (Pav. 48)



**PASTABA:** Nenustatykite per žemo pjovimo aukščio. Peiliai gali užkliudyti žemę, jei vejos paviršius nelygus.

### Akumulatorius



**PERSPĖJIMAS:** Prieš naudodami akumuliatorių perskaitykite ir supraskite saugos skyriaus informaciją. Taip pat turite perskaityti ir suprasti akumuliatoriaus bei akumuliatoriaus įkroviklio naudojimo instrukcijas.

### Akumuliatoriaus būseną

Ekране rodoma likusi akumuliatoriaus talpa ir galimos akumuliatoriaus problemos. Akumuliatoriaus talpa rodoma 5 sekundes po gaminio išjungimo arba po akumuliatoriaus indikatorius mygtuko paspaudimo. Akumuliatoriaus įspėjimo simbolis užsidega, kai įvyksta klaida. Žr. *Akumuliatorius psl. 311*

(Pav. 49)

Šviesos diodai	Akumuliatoriaus būseną
Šviečia visi diodai	Visiškai įkrautas (75–100 %)
Šviečia 1, 2 ir 3 diodai	Akumuliatorius įkrautas 50–75 %
Šviečia 1, 2 diodai	Akumuliatorius įkrautas 25–50 %
Šviečia 1 diodas	Akumuliatorius įkrautas 0–25 %
Mirksi 1 diodas	Akumuliatorius tuščias. Įkraukite akumuliatorių.

### Akumuliatoriaus įkrovimas

Prieš naudodami pirmą kartą, akumuliatorių įkraukite. Klientui pateikiamas akumuliatorius yra įkrautas tik 30 %.

**Pasižymėkite:** Akumuliatorių įkroviklį būtina prijungti prie parametrų plokštelėje nurodytos įtampos ir dažnio maitinimo lizdo.

Akumuliatorius neįkraunamas, jei jo temperatūra aukštesnė nei 50 °C. Prieš pradėdamas įkrauti, akumuliatoriaus įkroviklį sumažina akumuliatoriaus temperatūrą.

1. Prijunkite vieną akumuliatoriaus įkroviklio maitinimo laido galą prie akumuliatoriaus įkroviklio lizdo.
2. Prijunkite kitą akumuliatoriaus įkroviklio maitinimo laido galą prie įžeminto elektros lizdo. Akumuliatoriaus įkroviklio LED indikatorius vieną kartą sumirksės žaliai. (Pav. 50)
3. Akumuliatorių įstatykite į įkroviklį. Prijungus akumuliatorių prie akumuliatoriaus įkroviklio, įkroviklyje įsižiebia žalia lemputė. (Pav. 51)
4. Įsižiebus visiems akumuliatoriaus LED indikatoriams, akumuliatorius yra visiškai įkrautas. Akumuliatorių kraukite daugiausia 24 valandas.
5. Norėdami atjungti akumuliatoriaus įkroviklį nuo elektros lizdo, traukite už kištuko, o ne už maitinimo laido.
6. Iš įkroviklio išimkite akumuliatorių.



## Akumulatoriaus įkrovimo būseną

„Husqvarna“ ličio jonų akumulatorius galima įkrauti ir naudoti nepaisant jų įkrovimo lygio. Akumulatorius nepažeistas. Visiškai įkrautas akumulatorius nepraras savo krūvio jį palikus įkroviklyje.

LED ekranas	Įkrovimo būseną
Mirksi 1 diodas	0–25 %
1 diodas mirksi, 2 šviečia	25–50 %
1, 2 diodas šviečia, 3 mirksi	50–75 %
1, 2, 3 diodai šviečia, 4 mirksi	75–100 %
Šviečia 1, 2, 3, 4 šviesos diodai	Visiškai įkrautas

## Įkrauna vejąplovės akumuliatorių bloką

**Pasižymėkite:** Jeigu naudojate įrenginį pirmą kartą, įkraukite akumuliatorių. Naujas akumulatorius įkrautas tik 30 %.

1. Įsitikinkite, kad akumulatorius sausas.
2. Prijunkite akumuliatorių bloką prie adapterio. (Pav. 52)
3. Adapterį įstatykite į įkroviklį.
4. Įsitikinkite, kad įjungtas žalias akumuliatorių įkroviklio LED. Tai reiškia, kad akumuliatorių blokas tinkamai prijungtas prie adapterio. (Pav. 53)
5. Įsižiebus visiems akumulatoriaus LED indikatoriams ir kai adapteris rodo 100 %, akumulatorius yra visiškai įkrautas. (Pav. 54)

Adapteris rodo įkrovos lygį 1 % padalomis. Pradedant krauti lygis gali būti rodomas su paklaida.

6. Norėdami atjungti akumulatoriaus įkroviklį nuo elektros lizdo, traukite už kištuko. Netraukite už laido.
7. Išimkite adapterį iš akumuliatorių įkroviklio.
8. Išimkite akumuliatorių bloką iš adapterio.

**Pasižymėkite:** Daugiau informacijos žr. akumuliatorių bloko ir akumuliatorių įkroviklio instrukcijose.

## Gaminio paleidimas

1. Pakelkite akumulatoriaus gaubtą.
2. Įstatykite įkrautą akumuliatorių į 1 akumulatoriaus lizdą po akumulatoriaus gaubtu. Jei norėsite dirbti ilgiau, įstatykite antrą įkrautą akumuliatorių į 2 akumulatoriaus lizdą.
3. Atjunkite saugos raktelį nuo saugos raktelio laikiklio.
4. Įspauskite saugos raktelį į saugos spynelę. (Pav. 55)

5. Stovėkite už gaminio.
6. Valdymo skydelyje nuspauskite ĮJUNGIMO / IŠJUNGIMO mygtuką. Įsijungia ekranas.
7. Atleiskite apsaugą nuo netyčinio paleidimo. (Pav. 22)
8. Pastumkite variklio stabdymo rankeną link gaminio rankenos. (Pav. 56)

## Ratų pavaros naudojimas (LC 551IV)

- Patraukite pavaros rankeną link gaminio rankenos, kad įjungtumėte pavarą. (Pav. 57)
- Nuspauskite valdymo skydelyje esančius mygtukus „+“ ir „-“, kad nustatytumėte vieną iš 4 važiavimo greičio lygių. (Pav. 58)
- Atleiskite pavaros rankeną, kad išjungtumėte pavarą, pvz., kai priartėjate prie kliūties.

## „Save“ funkcijos naudojimas

Gaminyje yra akumulatoriaus taupymo funkcija („Save“), leidžianti pailginti naudojimo trukmę.

1. Paspauskite mygtuką „Save“ (A), kad įjungtumėte funkciją. Ekране įsižiebia simbolis „Save“ (B).
2. Paspauskite mygtuką dar kartą, kad išjungtumėte funkciją. Ekране išsijungia simbolis „Save“ (B). (Pav. 59)

„Save“ funkcija sustabdoma automatiškai, jei dėl paviršiaus sąlygų reikalinga didesnė galia.

„Save“ funkcija vėl įjungiama automatiškai, kai paviršiaus sąlygos tai leidžia.

## „PowerBoost“ funkcija

Gaminiu pjaunant aukštą ar šlapią žolę, variklio sukiai automatiškai padidinami. Kad būtų taupoma akumulatoriaus energija, variklis automatiškai grįžta į standartinį režimą, kai „PowerBoost“ funkcija nebūtina.

## Gaminio sustabdymas

Gaminys sustabdomas automatiškai, jei nenaudojate jo 3 minučių.

1. Norėdami sustabdyti variklį, atleiskite variklio stabdymo rankeną. (Pav. 21)
2. Valdymo skydelyje nuspauskite ĮJUNGIMO / IŠJUNGIMO mygtuką. Visi šviesos diodai ir simboliai ekране išsijungia. (Pav. 60)
3. Ištraukite saugos raktelį iš saugos spynelės ir įstatykite į saugos raktelio laikiklį.

## Gerų rezultatų gavimas

- Visada naudokite pagalastą peilį. Atšipęs peilis netaisyklingai nupjauna ir žolės paviršius pagelsta. Be to, aštrus peilis naudoja mažiau energijos nei atšipęs.
- Nepjaukite daugiau nei 1/3 žolės ilgio. Pirmiausia nupjaukite nustatę didelį aukštį. Patikrinkite rezultatai ir sumažinkite pjovimo aukštį iki tinkamo lygio. Jeigu

žolė tikrai aukšta, judėkite lėtai ir, jei reikia, pjaukite 2 kartus.

- Kiekvieną kartą pjaukite skirtingomis kryptimis, kad vejoje nesusidarytų dryžiai.

## Žolės pjovimas nenaudojant žolės rinktuvo arba mulčiavimo priedo (LC 551iV)

1. Pakelkite galinį gaubtą ir išimkite žolės rinktuvą.

2. Jei mulčiavimo priedas ir mulčiavimo peilis uždėti, nuimkite juos.
3. Prieš naudodami gaminį, uždarykite galinį gaubtą.

Kai naudojate gaminį, nupjauta žolė išmetama po galiniu dangčiu.

## Techninė priežiūra

### Įvadas



**PERSPĖJIMAS:** Prieš atlikdami priežiūros darbus perskaitykite ir supraskite saugos skyriaus informaciją.

Visiems gaminio techninės priežiūros ir remonto darbams reikia specialių apmokymų. Garantuojame profesionalaus remonto ir techninės priežiūros darbų pasiekiamumą. Jei jūsų pardavėjas nėra techninės

priežiūros atstovas, paprašykite jo informacijos apie artimiausią techninės priežiūros atstovą.

### Priežiūros grafikas

Techninės priežiūros intervalai apskaičiuojami pagal kasdienį gaminio naudojimą. Intervalai keičiasi, jei gaminys naudojamas kasdien.

Informacijos apie techninės priežiūros veiksmus, pažymėtus \*, žr. *Naudojimo saugos instrukcijos psl. 302.*

	Kiekvieną kartą naudojant	Kiekvieną mėnesį	Kas sezoną
Atlikti bendrąją apžiūrą	X		
Nuvalyti transmisijos gaubtus. Patikrinti, ar ant variklio neliko žolės	X		
Patikrinti apsaugą nuo netyčinio užvedimo *	X		
Įsitikinti, kad gaminio saugos įtaisai nepažeisti *	X		
Patikrinti, ar žolės rinktuvas nesusidėvėjo ir nėra sugadintas	X		
Patikrinti pjovimo įrangą	X		
Patikrinti pjovimo įrangos gaubtą *	X		
Patikrinti variklio stabdymo rankeną *	X		
Įsitikinti, kad tinkamai veikia ir nepažeistas ĮJUNGIMO / IŠJUNGIMO mygtukas	X		
Patikrinti, ar nepažeistas akumulatorius	X		
Patikrinti akumulatoriaus įkrovą	X		
Patikrinti, ar tinkamai veikia akumulatoriaus atlaisvinimo mygtukai ir ar akumulatorius užsifiksuoja gaminyje	X		
Išvalyti oro įleidimo angas. Patikrinkite, ar oro įleidimo angose neliko žolės ar purvo	X		
Patikrinti, ar nepažeistas akumulatoriaus įkroviklis, ir įsitikinti, kad jis veikia tinkamai		X	
Patikrinti jungtis tarp akumulatoriaus ir gaminio. Taip pat patikrinti jungtį tarp akumulatoriaus ir akumulatoriaus įkroviklio.			X

## Bendroji apžiūra

- Įsitinkinkite, kad gaminio veržlės ir varžtai priveržti.
- Įsitinkinkite, kad gaminio kabeliai nėra tokioje padėtyje, kurioje jie galėtų būti pažeisti.

## Peilio keitimas

1. Užfiksukite peilį medžio bloku. (Pav. 61)
2. Išimkite peilio varžtą, spyruoklinę poveržlę ir peilį. (Pav. 62)
3. Patikrinkite, ar peilio atrama ir peilio tvirtinimo varžtas nėra pažeisti.
  - a) Keisdami peilį arba peilio atramą, taip pat pakeiskite peilio tvirtinimo varžtą, spyruoklinę poveržlę ir apsauginę poveržlę.
4. Patikrinkite variklio veleną, kad įsitikintumėte, ar jis nesulenktas.
5. Uždedant naują peilį, įsitinkinkite, kad sulenkti galai yra nukreipti pjovimo gaubto pusę. (Pav. 63)
6. Uždėkite apsauginę poveržlę ir peilį ant peilio atramos. (Pav. 64)
7. Įsitinkinkite, kad peilis sulygiuotas su variklio veleno centru. (Pav. 65)
8. Užfiksukite peilį medžio bloku. (Pav. 66)
9. Uždėkite spyruoklinę poveržlę ir priveržkite varžtą 65-75 Nm sukimo momentu. (Pav. 67)
10. Ranka pasukite peilį ir patikrinkite, ar jis laisvai sukasi.



**PERSPĖJIMAS:** Būtinai mūvėkite pirštines. Peilis labai aštrus ir gali lengvai įpjauti.

11. Paleiskite gaminį, kad išbandytumėte peilį. Jei peilis netinkamai uždėtas, gaminys vibruoja arba pjaunama nepakankamai gerai.

## Gaminio valymas

- Plastikines dalis valykite švaria ir sausa šluoste.
- Valydami gaminį nenaudokite vandens. Vandeniui pateikusi į akumuliatorių arba variklį gali įvykti trumpasis jungimas arba gaminys gali sugesti.

- Gaminio neplaukite aukšto slėgio plovimo aparatu.
- Nepilkite vandens tiesiai ant variklio.
- Lapus, žolę ir purvą nuvalykite šepetėliu.

## Akumuliatoriaus ir akumuliatoriaus įkroviklio valymas



**PASTABA:** Nevalykite akumuliatoriaus ar įkroviklio vandeniu.

- Prieš prijungdami akumuliatorių prie įkroviklio, įsitinkinkite, kad akumuliatorius ir akumuliatoriaus įkroviklis yra švarūs ir sausi.
- Nupūskite akumuliatoriaus gnybtus suspaustu oru ir nuvalykite švelnia ir sausa šluoste.
- Nuvalykite akumuliatorių ir akumuliatoriaus įkroviklį švelnia ir sausa šluoste.

## Pjovimo įrangos patikrinimas



**PERSPĖJIMAS:** Kad išvengtumėte netyčinio paleidimo, ištraukite apsauginį raktelį, išimkite akumuliatorių ir palaukite mažiausiai 5 sekundes.



**PERSPĖJIMAS:** Pjovimo įrangos techninės priežiūros darbus atlikite apsimovę apsaugines pirštines. Peilis labai aštrus ir gali lengvai įpjauti.

1. Patikrinkite, ar pjovimo įranga nepažeista ir neįskilusi. Visada pakeiskite pažeistą pjovimo įrangą.
2. Apžiūrėkite peilį, ar jis nepažeistas ir neatšipęs.

**Pasižymėkite:** Pagalandus peilį jį reikia subalansuoti. Pagaląsti, pakeisti ir subalansuoti peilį turi techninės priežiūros centro darbuotojai. Jei susidūrėte su kliūtimi, dėl kurios įrenginys sustojo, pakeiskite pažeistą peilį. Leiskite techninės priežiūros centro darbuotojams nuspręsti, ar peilį dar galima galąsti, ar jau reikia keisti.

## Gedimai ir jų šalinimas

### Akumuliatorius

Akumuliatoriaus LED	Galimi gedimai	Galima procedūra
Mirkis žalias LED indikatorius	Žema akumuliatoriaus įtampa	Įkraukite akumuliatorių. Žr. <i>Akumuliatoriaus įkrovimas psl. 308</i>

Akumulatoriaus LED	Galimi gedimai	Galima procedūra
Mirksi klaidos LED indikatorius	Silpna akumulatoriaus įkrova	Įkraukite akumuliatorių. Žr. <i>Akumulatorius psl. 311</i>
	Darbo aplinkos temperatūra per aukšta arba per žema	Akumuliatorių naudokite nuo -10 °C iki 40 °C temperatūroje.
	Viršįtampis	Patikrinkite, ar elektros tinklo įtampa atitinka tą, kuri yra nurodyta ant gaminio parametrų plokštelės. Iš įkroviklio išimkite akumuliatorių. Palaukite 5 sekundes ir vėl pabandykite įkrauti akumuliatorių. Jeigu problema kartojasi, kreipkitės į galiojantį techninės priežiūros atstovą.
Šviečia klaidos LED indikatorius	Pernelyg didelis blokų skirtumas (1V)	Kreipkitės į patvirtintą techninės priežiūros atstovą.

## Akumulatoriaus įkroviklis

Akumulatoriaus įkroviklio LED	Galimi gedimai	Galima procedūra
Mirksi klaidos LED indikatorius	Darbo aplinkos temperatūra per aukšta arba per žema	Akumulatoriaus įkroviklį naudokite nuo 5 °C iki 40 °C temperatūroje.
Šviečia klaidos LED indikatorius		Kreipkitės į patvirtintą techninės priežiūros atstovą

## Valdymo skydelis

Klaidos kodas (sumirksėjimų skaičius)	Galimi gedimai	Galima procedūra
1	Per daug įkaitęs transmisijos variklis.	Leiskite produktui atvėsti. Patikrinkite, ar ant transmisijos neliko žolės. Nuvalykite transmisijos gaubtą, jeigu būtina.
5	Variklio greitis per daug sumažėja ir variklis sustoja.	Nuvalykite pjovimo agregatą ir padidinkite pjovimo aukštį. Žr. <i>Pjovimo aukščio nustatymas psl. 308</i> . Jeigu klaida išlieka, kreipkitės į patvirtintą techninės priežiūros atstovą.
8	Silpna akumulatoriaus įkrova.	Įkraukite akumuliatorių. Žr. <i>Akumulatoriaus įkrovimas psl. 308</i> .
9	Akumulatoriaus klaida arba nėra akumulatoriaus signalo.	Tinkamai įstatykite akumuliatorių į gaminį ir patikrinkite akumulatoriaus jungtį. Jei akumulatoriaus klaidos diodas mirksi, žr. <i>Akumulatorius psl. 308</i> .
10	Per daug įkaitęs variklio valdiklis.	Išjunkite variklį ir palaukite, kol jis atvės.
Kitos klaidos	Jei atsiranda kitų klaidų, ištraukite apsauginį raktelį, išimkite akumuliatorių ir kreipkitės į patvirtintą techninės priežiūros atstovą.	

# Transportavimas, saugojimas ir utilizavimas

## Įvadas



**PERSPĖJIMAS:** Kad išvengtumėte netyčinio paleidimo transportavimo metu, ištraukite apsauginį raktelį, išimkite akumuliatorių ir palaukite mažiausiai 5 sekundes.

## Gaminio nustatymas į gabenimo padėtį (LC 551IV)

1. Atsukite apatines rankenėles.
2. Stumkite rankenėles iki apatinio griovelių krašto kairėje ir dešinėje produkto pusėje. (Pav. 31)
3. Nulenkite rankeną pirmyn. (Pav. 68)
4. Išimkite žolės rinktuvą.

## Transportavimas

- Įdėtiems ličio jonų akumuliatoriams taikomos pavojingų krovinių gabenimo taisyklės.
- Jeigu krovins gabenamas komerciniu transportu, būtina laikytis specialių reikalavimų dėl pakavimo ir žymėjimo.
- Ruošdamiesi gaminį transportuoti, užtikrinkite, kad būtų laikomasi pavojingų medžiagų tvarkymo taisyklių. Gali būti taikomi vietos teisės aktai.
- Transportavimo metu visuomet išimkite akumuliatorių.
- Ant akumuliatoriaus jungčių užklijuokite izoliacinę juostą ir įsitikinkite, kad transportuojant akumuliatorius nejudės.
- Transportuodami gaminį, jį pritvirtinkite.

## Saugojimas

- Saugojimo metu visuomet išimkite akumuliatorių.
- Kad išvengtumėte nelaimingų atsitikimų, įsitikinkite, jog akumuliatorius saugojimo metu nėra prijungtas prie gaminio.

- Akumuliatoriaus įkroviklį laikykite uždaroje ir sausoje aplinkoje.
- Akumuliatorių ir akumuliatoriaus įkroviklį laikykite sausoje ir šiltoje vietoje.
- Saugodami atjunkite akumuliatorių nuo akumuliatoriaus įkroviklio.
- Nelaikykite akumuliatoriaus tokioje vietoje, kur gali susidaryti statinis krūvis. Nelaikykite akumuliatoriaus metalinėje dėžutėje.
- Akumuliatorių laikykite aplinkoje, kurios temperatūra yra nuo 5 °C iki 25 °C ir kurios nepasiekia tiesioginiai saulės spinduliai.
- Akumuliatoriaus įkroviklį laikykite aplinkoje, kurios temperatūra yra nuo 5 °C iki 45 °C ir kurios nepasiekia tiesioginiai saulės spinduliai.
- Prieš saugodami ilgesnį laiką pasirūpinkite, kad akumuliatorius būtų įkrautas 30–50 %.
- Gaminį, akumuliatorių ir akumuliatoriaus įkroviklį laikykite rakinamoje patalpoje, kur jų negalėtų pasiekti vaikai ir pašaliniai asmenys.
- Prieš saugodami gaminį ilgesnį laiką, išvalykite jį ir atlikite visus techninės priežiūros darbus.

## Utilizavimas

Ant gaminio ar ant jo pakuotės pateikti simboliai rodo, kad šio gaminio negalima išmesti kartu su buitineis atliekomis. Įrenginį reikia atiduoti į atitinkamą perdirbimo įmonę, kuri utilizuotų elektrines ir elektronines dalis.

Rūpindamiesi, kad šis gaminys būtų tvarkomas teisingai, padedate išvengti galimo neigiamo poveikio aplinkai ir žmonėms, kurį gali sukelti netinkamas šio gaminio atliekų tvarkymas. Jei reikia daugiau informacijos apie šio gaminio perdirbimą, kreipkitės į savivaldybę, buitinių atliekų tvarkymo tarnybą arba parduotuvę, kurioje įsigijote gaminį.

(Pav. 69)

## Techniniai duomenys

### Techniniai duomenys

	LB 548i	LC 551IV
<b>Peilių variklis</b>		
Variklio tipas	BLDC (be šepetėlių) 36 V	BLDC (be šepetėlių) 36 V
Variklio greitis – „Save“, rpm*	2 600	2 600
Variklio greitis – nominalus, rpm*	3 000	3 000
Variklio greitis – didelė apkrova, rpm*	3300	3300
Variklio galingumas – maks., kW	1,8	1,8

	LB 548i	LC 551IV
Variklio galingumas – nominalus, kW	1,5	1,5
<b>Pavaros variklis</b>		
Variklio galingumas – nominalus, kW	Nėra	0,3
Savaeigis greitis, km/h	Nėra	3,0-5,0
Greičio lygiai	Nėra	4
<b>Svoris</b>		
Svoris be akumulatoriaus, kg	31	41
<b>Akumulatorius</b>		
Akumulatoriaus tipas	„Husqvarna“ akumuliatorių serija	„Husqvarna“ akumuliatorių serija
<b>Akumulatoriaus veikimo laikas</b>		
Akumulatoriaus veikimo laikas, min, (laisva eiga) įjungus „SavE“ funkciją, su vienu „Husqvarna“ 5,2 Ah akumuliatoriumi („Bli200“).	40	30
Akumulatoriaus veikimo laikas, min, (laisva eiga) standartinio režimu, su vienu „Husqvarna“ 5,2 Ah akumuliatoriumi (Bli200).	30	20
<b>Skleidžiamas triukšmas</b> <sup>43</sup>		
Garso stiprumo lygis, išmatuotas dB (A)	93	97
Garso galios lygis, garantuojamas L <sub>WA</sub> dB (A)	93	97
<b>Garso lygiai</b> <sup>44</sup>		
Naudotojo ausį veikiantis garso slėgis, dB (A)	80	84
<b>Vibracijos lygis</b> <sup>45</sup>		
Rankena, m/s <sup>2</sup>	0,3	0,3
<b>Pjovimo įranga</b>		
Pjovimo aukštis, mm	20-75	20-75
Pjovimo plotis, cm	48	51
Peilio standartas	Mulčiavimo peilis 597466510	Surinkimo peilis 597466310
Peilio priedai	Nėra	Mulčiavimo peilis 597466410
Žolės rinktuvo galia, l	Nėra	65

\* Sūčiai per minutę

<sup>43</sup> Triukšmas, skleidžiamas į aplinką, išmatuotas kaip garso galia (L<sub>WA</sub>) pagal EB direktyvą 2000/14/EB.

<sup>44</sup> Pateikiamų triukšmo slėgio duomenų būdingoji statistinė sklaida (standartinis nuokrypis) lygi 1,2 dB (A).

<sup>45</sup> Pateiktuose vibracijos lygio duomenyse yra 0,2 m/s<sup>2</sup> tipiška statistinė sklaida (standartinis nuokrypis). Vibracijos standartas EN 60335-2-77:2017, 20.105 skyrius

Patvirtinti akumulatoriai	Tipas	Akumulatoriaus talpa, Ah	Įtampa, V	Svoris, svar. / kg
BLi20	Ličio jonų	4,0	36	2,6 / 1,2
BLi200	Ličio jonų	5,2	36	2,8 / 1,3
BLi300	Ličio jonų	9,4	36	4,1 / 1,9
BLi550X	Ličio jonų	15,6	36	12,4/5,6
BLi950X	Ličio jonų	31,1	36	15,4 / 7,0

Patvirtinti įkrovikliai nurodytiems akumulatoriams, BLi	Įvado įtampa, V	Dažnis, Hz	Galia, W
QC80	100–240	50–60	80
QC80F	12	0	80
QC330	100–240	50–60	330
QC500	100–240	50–60	500

**KEES VAN DER SPEK**  
TUINMACHINES ★ STOLWIJK

---

## EB atitikties deklaracija

---

### EB atitikties deklaracija

„Husqvarna AB“, SE-561 82 Huskvarna, Švedija, tel.  
+46-36-146500, patvirtina, kad **vejapjovės Husqvarna  
LB 548i, LC 551iV**, pagamintos nuo 2019, atitinka šių  
TARYBOS DIREKTYVŲ reikalavimus:

- 2011 m. birželio 8 d. direktyvos **2011/65/ES** dėl tam tikrų pavojingų medžiagų naudojimo;
- 2006 m. gegužės 17 d. direktyvos **2006/42/EB** dėl mašinų;
- 2014 m. vasario 26 d. direktyvos **2014/30/ES** dėl elektromagnetinio suderinamumo;
- 2000 m. gegužės 8 d. direktyvos **2000/14/EB** dėl į aplinką skleidžiamo triukšmo.

Daugiau informacijos apie triukšmo emisiją žr.  
„Techniniai duomenys“.

Pritaikyti tokie standartai:

**IEC 60335-1:2010, IEC 60335-2-77:2002, EN  
60335-1:2012, EN 60335-2-77:2010 EN/IEC  
62233:2008 EN 61000-6-3:2005 EN 61000-6-1:2005**

Jei nenurodyta kitaip, taikomos naujausios paskelbtos  
nurodytų standartų versijos.

Notifikuotoji įstaiga: **0404, RISE SMP Svensk  
Maskinprovning AB, Box 7035, SE-750 07 Uppsala**  
atliko atitikties įvertinimą pagal direktyvos 2000/14/EB  
priedą VI ir išdavė sertifikatą, kurio numeris 01/901/324  
(LB 548i), 01/901/323 (LC 551iV)

Huskvarna, 2020-01-20



Claes Losdal, plėtros vadovas / sodo gaminiai  
(įgaliotasis „Husqvarna AB“ atstovas, atsakingas už  
techninę dokumentaciją)



---

## Saturs

---

Ievads.....	317	Problēmu novēršana.....	332
Drošība.....	319	Pārvadāšana, glabāšana un utilizēšana.....	333
Montāža.....	327	Tehniskie dati.....	334
Lietošana.....	328	EK atbilstības deklarācija.....	337
Apkope.....	330		

---

## Ievads

---

### Izstrādājuma apraksts

Izstrādājums ir gājējam vadāmais rotējošais zāles plāvējs. Modelis LB 548i izmanto BioClip, lai zāli sagrieztu mēslojumam.

Modelis LC 551iV savāc zāli zāles savācējā. Lai piekļūtu zāles aizmugurējam izmetējam, noņemiet zāles

savācēju. Lai sagrieztu zāli mēslojumam, piestipriniet mulčēšanas komplektu (papildpiederumu).

### Paredzētā lietošana

Izmantojiet izstrādājumu zāles plaušanai privātos dārzos. Nelietojiet izstrādājumu citiem darbiem.

### Izstrādājuma pārskats

(Att. 1)

1. Vadības panelis
2. Motora bremžu rokturis
3. Iedarbināšanas ierobežotājs
4. Zāles savācējs (LC 551iV)
5. Aizmugurējais aizsargs (LC 551iV)
6. Drošības atslēga
7. Roktura kloķis (LC 551iV)
8. Roktura regulēšanas svira (LB 548i)
9. Akumulatora pārsegs
10. Griešanas augstuma vadības ierīce (LC 551iV)
11. Ieslēgšanas/izslēgšanas slēdzis
12. Poga SavE
13. Indikators SavE
14. Akumulatora indikators
15. Ātruma līmeņa indikators
16. Ātruma samazināšanas poga
17. Ātruma palielināšanas poga
18. Kļūdu LED indikators
19. Griezēja pārsegs
20. Gaisa ieplūdes atveres
21. Datu plāksnīte
22. Piedziņas rokturis (LC 551iV)
23. Akumulatora lādētājs (piederums)
24. Akumulators (piederums)
25. Multi akumulators (piederums)
26. Adaptera plāksne (piederums)
27. Multi akumulatora adapteris (piederums)
28. Lietotāja rokasgrāmata

### Simboli uz izstrādājuma

(Att. 2)

**BRĪDINĀJUMS!** Šis izstrādājums var būt bīstams un izraisīt nopietnas vai nāvējošas traumas operatoram vai citām personām. Esiet uzmanīgs un lietojiet izstrādājumu pareizi.

(Att. 3)

Uzmanīgi izlasiet šo lietotāja rokasgrāmatu un pirms iekārtas lietošanas pārliecinieties, vai izprotat norādījumus.

(Att. 4)

Nodrošiniet, lai darba zonā neatrastos cilvēki un dzīvnieki.

(Att. 5)

Uzmanieties no mestiem un rikošetā atlecošiem priekšmetiem.

(Att. 6) Brīdinājums! Turiet rokas un kājas drošā attālumā no rotējošiem asmeņiem.

(Att. 7) Brīdinājums! Turiet rokas un kājas drošā attālumā no rotējošajām daļām.

(Att. 8) Pirms remonta vai apkopes darbu veikšanas izņemiet drošības atslēgu

(Att. 9) **Vides marķējums.** Izstrādājums vai iepakojums nav sadzīves atkritumi. Utilizējiet to apstiprinātā elektrisko un elektronisko ierīču likvidēšanas uzņēmumā.

(Att. 10) Šis produkts atbilst spēkā esošajām EK direktīvām.

(Att. 11) Šis produkts atbilst spēkā esošajām Baltkrievijas, Kazahstānas un Krievijas Muitas savienības direktīvām.

(Att. 12) Šis produkts atbilst spēkā esošajām UkrSEPRO direktīvām.

(Att. 13) Šis produkts atbilst spēkā esošajām RCM direktīvām. Attiecas tikai uz Austrāliju un Jaunzēlandi.

(Att. 14) Trokšņa izplūde vidē atbilst attiecīgo EK direktīvu prasībām. Izstrādājuma trokšņa

**IPX4** Aizsardzība pret uzšļakstītu ūdeni.  
**IPX4**

(Att. 19) Iedarbināšanas procedūra modelim /: nospiediet pogu ON/OFF (Ieslēgt/izslēgt), atbrīvojiet iedarbināšanas ierobežotāju, nospiediet uz leju motora bremžu rokturi.

(Att. 15) Atlaidiet motora bremžu rokturi, lai apturētu.

(Att. 16) Lēni

(Att. 17) Ātri

(Att. 18) Skenējams kods

**Piezīme:** Pārējie uz izstrādājuma norādītie simboli/norādes atbilst dažu valstu sertifikācijas prasībām.

## Marķējumi uz produkta

(Att. 20)

Turiet rokas un kājas drošā attālumā no rotējošiem asmeņiem.

### Atbildība par izstrādājuma kvalitāti

Saskaņā ar likumiem par izstrādājuma kvalitāti mēs neuzņemamies atbildību par bojājumiem, ko radījis mūsu izstrādājums, ja:

- ir veikts nepareizs izstrādājuma remonts;
- izstrādājuma remonts ir veikts, izmantojot detaļas, ko nav nodrošinājis vai apstiprinājis ražotājs;
- izstrādājumam tiek pievienots piederums, ko nav nodrošinājis vai apstiprinājis ražotājs;
- izstrādājuma remonts nav veikts pilnvarotā remontdarbnīcā vai pie pilnvarota speciālista.

### Drošības definīcijas

Brīdinājumi, norādes “Uzmanību!” un piezīmes tiek izmantotas, lai izceltu īpaši svarīgas lietotāja rokasgrāmatas daļas.



**BRĪDINĀJUMS:** Tiek izmantota tad, ja rokasgrāmatā sniegto instrukciju neievērošanas dēļ operatoram vai blakus esošajām personām draud traumu vai nāves risks.



**IEVĒROJIET:** Tiek izmantota tad, ja rokasgrāmatā sniegto instrukciju neievērošanas dēļ rodas izstrādājuma, citu materiālu vai blakus esošās teritorijas bojājuma risks.

**Piezīme:** Tiek izmantota, lai sniegtu plašāku informāciju, kas nepieciešama attiecīgajā situācijā.

### Vispārīgi norādījumi par drošību



**BRĪDINĀJUMS:** Pirms sākat lietot izstrādājumu, izlasiet tālāk izklāstītās brīdinājuma instrukcijas.

- Šis izstrādājums ir bīstams, ja to lieto nepareizi vai ja nerīkojaties piesardzīgi. Drošības instrukciju neievērošana var izraisīt traumas vai nāvi.
- Šis izstrādājums darbības laikā rada elektromagnētisko lauku. Noteiktos apstākļos šis lauks var traucēt aktīvā vai pasīvā medicīniskā implantāta darbību. Lai samazinātu nopietnas traumas gūšanas vai dzīvības zaudēšanas risku, mēs iesakām personām, kam ir medicīniskie implantāti, pirms šī izstrādājuma lietošanas konsultēties ar savu ārstu un medicīniskā implantāta ražotāju.
- Vienmēr rīkojieties piesardzīgi un saprātīgi. Ja neesat drošs par to, kā izmantot šo izstrādājumu konkrētā situācijā, pārtrauciet darbu un sazinieties ar savu Husqvarna izplatītāju, pirms turpināt.

- Paturiet prātā, ka operators ir atbildīgs par negadījumiem, kuros iesaistītas citas personas.
- Gādājiet, lai izstrādājums ir fīrs. Pārlicinieties, ka varat skaidri izlasīt zīmes un uzlīmes.
- Nekādā gadījumā neļaujiet lietot ierīci bērniem vai cilvēkiem, kas nepārzina instrukcijas. Lietotāja vecums var būt norādīts vietējos noteikumos
- Ja izstrādājumu izmanto persona ar samazinātām fiziskajām vai garīgajām spējām, vienmēr uzraugiet šo personu. Tuvumā vienmēr jābūt pieaugušajam.
- Neizmantojiet šo izstrādājumu, ja esat noguris, slims vai esat alkohola, narkotiku vai medikamentu izraisītā reibumā. Šāds stāvoklis negatīvi ietekmē jūsu redzi, modrību, koordināciju un spriestspēju.
- Neizmantojiet izstrādājumu, ja tas ir bojāts.
- Neveiciet izmaiņas šajā izstrādājumā un neizmantojiet to, ja ir iespējams, ka citas personas tajā ir veikušas izmaiņas.

## Darba zonas drošība



**BRĪDINĀJUMS:** Pirms sākat lietot šo izstrādājumu, izlasiet zemāk izklāstītos brīdinājumus.

- Pirms izmantojat izstrādājumu, noņemiet no darba zonas priekšmetus, piemēram, zarus, žaģarus un akmeņus.
- Priekšmeti, kas saskaras ar griešanas ierīci, var atlēkt un nodarīt kaitējumu personām vai citiem priekšmetiem. Gādājiet, lai citi cilvēki un dzīvnieki atrastos drošā attālumā no izstrādājuma.
- Nekad neizmantojiet izstrādājumu sliktos laika apstākļos, piemēram, miglā, lietū, stiprā vējā, lielā aukstumā un pērkona negaisa laikā. Izstrādājuma izmantošana sliktos laika apstākļos vai mitrā vai slapjā vietā ir nogurdinoša. Slikti laikapstākļi var izraisīt bīstamas situācijas, piemēram, padarot virsmas slidenas.
- Pārlicinieties, vai nav personu, priekšmetu un situāciju, kas var kavēt izstrādājuma drošu darbību.

- Skatieties, vai nav šķēršļu, piemēram, sakņu, akmeņu, zaru, bedru un grāvju. Garā zālē var atrasties dažādi šķēršļi.
- Pļaušana uz nogāzēm var būt bīstama. Nepļaujiet ļoti stāvās nogāzēs. Neizmantojiet izstrādājumu uz virsmas, kuras slīpums pārsniedz 15°
- Mainot braukšanas virzienu nogāzē, esiet īpaši piesardzīgs. Uz nogāzēm ar izstrādājumu strādājiet, virzoties šķērsām tām. Nepārvietojieties augšup un lejup.
- Esiet uzmanīgi, kad tuvojaties stūriem, aiz kuriem nekas nav redzams, un priekšmetiem, kas aizsedz redzamību.
- Pārliecinieties, vai zināt, kā ārkārtas situācijā ātri apturēt dzinēju.
- Nedarbiniet izstrādājumu lietus laikā un nepakļaujiet to lietus vai mitruma iedarbībai. Ja produktā iekļūst ūdens, palielinās elektriskās strāvas trieciena risks.
- Nedarbiniet izstrādājumu, ja asmens un visi pārsegi nav piestiprināti pareizi. Nepareizi piestiprināts asmens var kļūt vaļīgs un izraisīt traumas personai.
- Pārliecinieties, ka asmens neatsitas pret priekšmetiem, piemēram, akmeņiem un saknēm. Tas var sabojāt asmeni un saliekt dzinēja vārpstu. Saliekts asmens izraisa stipru vibrāciju un rada ļoti lielu risku, ka asmens kļūst vaļīgs.

## Darba drošība



**BRĪDINĀJUMS:** Pirms sākat lietot izstrādājumu, izlasiet tālāk izklāstītās brīdinājuma instrukcijas.

- Izmantojiet šo izstrādājumu tikai zālienu pļaušanai. Izstrādājumu nav atļauts izmantot citu darbu veikšanai.
- Lietojiet individuālos aizsardzības līdzekļus. Skatiet šeit: *Individuālie aizsarglīdzekļi lpp. 322.*
- Ja asmens saskaras ar priekšmetu vai rodas spēcīgas vibrācijas, nekavējoties izslēdziet izstrādājumu. Apstādiniet motoru, pavelciet uz augšu drošības atslēgu un izņemiet akumulatoru. Pārbaudiet, vai izstrādājumam nav bojājumu. Novērsiet bojājumus vai uzticiet šo darbu pilnvarotajam apkopes pārstāvim.

- Nekādā gadījumā nepiestipriniet motora bremžu rokturi rokturim, kad motors ir iedarbināts.
- Novietojiet izstrādājumu uz stabilas, līdzenas virsmas un iedarbiniet to. Pārliedzinieties, vai asmens nepieskaras zemei vai citiem priekšmetiem.
- Darbinot izstrādājumu, vienmēr stāviet aiz tā.
- Darbinot izstrādājumu, raugiet, lai visi četri riteņi atrodas uz zemes un turiet rokturi ar abām rokām. Turiet rokas un kājas drošā attālumā no rotējošiem asmeņiem.
- Nekad nenolieciet izstrādājumu dzinēja darbības laikā.
- Esiet piesardzīgi, velkot izstrādājumu atpakaļ.
- Nekādā gadījumā neceliet izstrādājumu uz augšu motora darbības laikā. Ja izstrādājums ir jāpaceļ, vispirms apstādiniet motoru, pavelciet uz augšu drošības atslēgu un izņemiet akumulatoru.
- Neejiet atmuguriski izstrādājuma lietošanas laikā.
- Izslēdziet motoru, kad pārvietojaties pa teritorijām, ko neklāj zāle, piemēram, pa grants, akmens vai asfalta celiņiem.

- Nekādā gadījumā nesekojiet ar izstrādājumu motora darbības laikā. Darbinot izstrādājumu, vienmēr ejiet.
- Apturiet dzinēju, pirms maināt griešanas augstumu. Nekādā gadījumā nemēģiniet veikt regulēšanas darbus dzinēja darbības laikā.
- Nekad neatstājiet izstrādājumu bez uzraudzības dzinēja darbības laikā. Izslēdziet dzinēju un pārliedzinieties, vai griešanas aprīkojums nerotē.

#### Norādījumi par drošu darbu

#### Individuālie aizsarglīdzekļi



**BRĪDINĀJUMS:** Pirms sākat lietot izstrādājumu, izlasiet tālāk izklāstītās brīdinājuma instrukcijas.

- Šādi līdzekļi nevar pilnībā novērst traumu gūšanas risku, taču samazina traumu smaguma pakāpi, ja negadījums tomēr notiek. Ļaujiet izplatītājam palīdzēt jums izvēlēties pareizo aprīkojumu.
- Velciet izturīgus zābakus vai kurpes, kas neslīd. Nevelciet vaļējas kurpes un neejiet ar basām kājām.
- Velciet izturīgas garās bikses.

- Vajadzības gadījumā izmantojiet aizsargcimdus, piemēram, piestiprinot, pārbaudot vai tīrot griešanas aprīkojumu.

## Izstrādājuma drošības ierīces



**BRĪDINĀJUMS:** Pirms sākat lietot izstrādājumu, izlasiet tālāk izklāstītās brīdinājuma instrukcijas.

- Nelietojiet izstrādājumu ar bojātām drošības ierīcēm.
- Regulāri pārbaudiet drošības ierīces. Ja drošības ierīces ir bojātas, sazinieties ar savu Husqvarna servisa pārstāvi.

## Griezēja pārsega pārbaude

Griezēja pārsegs samazina izstrādājuma vibrācijas un asmens radītu ievainojumu gūšanas risku.

- Pārbaudiet griezēja pārsegu, lai pārlicinātos, vai nav bojājumu, piemēram, plaisu.

## Drošības atslēga

Drošības atslēga ir zem akumulatora pārsega. Drošības atslēga savieno akumulatoru, kas dzinējam nodrošina jaudu.

## Drošības atslēgas pārbaude

Drošības atslēga savieno akumulatoru, kas dzinējam nodrošina jaudu.

- Iedarbiniet un apstādiniet motoru. Ja drošības atslēga darbojas pareizi, motoru var iedarbināt tikai, kad atslēga ir drošības blokā.

## Motora bremžu rokturis

Dzinēja bremžu rokturis aptur dzinēju. Atlaižot dzinēja bremžu rokturi, dzinējs apstājas.

Lai pārbaudītu dzinēja bremzes, iedarbiniet dzinēju un pēc tam atlaidiet dzinēja bremžu rokturi.

Ja dzinējs neapstājas 3 sekundēs, lieciet pilnvarotā Husqvarna apkopes pārstāvim noregulēt dzinēja bremzes.

(Att. 21)

## Iedarbināšanas ierobežotāja pārbaude

Pārbaudiet iedarbināšanas ierobežotāju, lai pārlicinātos, ka tas novērš dzinēja darbību.

1. Pabīdiet bremžu rokturi stūres virzienā. Iedarbināšanas ierobežotājs aptur kustību.
2. Izstumiet iedarbināšanas ierobežotāju. (Att. 22)

3. Atlaidiet iedarbināšanas ierobežotāju un pārlicinieties, ka tas atgriežas sākotnējā pozīcijā.

### Akumulatora drošības norādes



**BRĪDINĀJUMS:** Pirms sākat lietot izstrādājumu, izlasiet tālāk izklāstītās brīdinājuma instrukcijas.

- Izmantojiet Husqvarna atkārtoti uzlādējamus akumulatorus kā strāvas avotu tikai saistītiem Husqvarna produktiem. Lai nepieļautu traumu gūšanas risku, akumulatoru nedrīkst izmantot kā citu izstrādājumu strāvas avotu.
  - Nelietojiet vienreiz lietojamus akumulatorus.
  - Elektriskās strāvas trieciena risks. Nesavienojiet akumulatora spaiļes ar atslēgām, monētām, skrūvēm vai citiem metāla priekšmetiem. Tas var izraisīt akumulatora īssavienojumu.
  - Neievietojiet nekādus priekšmetus akumulatora gaisa atverēs.
  - Neglabājiet akumulatoru vietās, ka ir pakļautas tiešai saulesgaismai, karstumam vai atklātām liesmām.
- Akumulators var eksplodēt un radīt apdegumus un/vai ķīmiskos apdegumus.
- Akumulatoru nedrīkst pakļaut lietus un mitruma ietekmei.
  - Akumulatoru nedrīkst pakļaut mikroviļņu un augsta spiediena ietekmei.
  - Akumulatoru nedrīkst izjaukt vai saspiest.
  - Ja rodas akumulatora noplūde, neļaujiet šķidrumam nonākt saskarē ar ķermeni vai acīm. Ja pieskaraties šķidrumam, nomazgājiet skarto vietu ar lielu daudzumu ūdens un meklējiet medicīnisko palīdzību.
  - Akumulatoru drīkst temperatūrā no -10 °C līdz 40 °C.
  - Nefīriet akumulatoru un tā lādētāju ar ūdeni. Skatiet šeit: *Akumulatora un akumulatora lādētāja tīrīšana lpp. 332.*
  - Nelietojiet defektīvu vai bojātu akumulatoru.
  - Uzglabājiet akumulatorus vietā, kur tuvumā nav metāla priekšmetu, piemēram, naglu, monētu, rotaslietu.



## Akumulatora lādētāja drošības norādes



**BRĪDINĀJUMS:** Pirms sākat lietot izstrādājumu, izlasiet tālāk izklāstītās brīdinājuma instrukcijas.

- Izmantojiet QC akumulatoru lādētājus tikai Husqvarna rezerves akumulatoru uzlādei.
- Pastāv elektriskās strāvas trieciena vai īssavienojuma risks. Neievietojiet nekādus priekšmetus lādētāja gaisa atverēs. Nemēģiniet demontēt akumulatora lādētāju. Nesavienojiet lādētāja spaiļus ar metāla priekšmetiem. Izmantojiet pārbaudītu elektrotīkla kontaktligzdu.
- Šis izstrādājums darbības laikā rada elektromagnētisko lauku. Noteiktos apstākļos šis lauks var traucēt aktīvā vai pasīvā medicīniskā implantāta darbību. Lai samazinātu risku nokļūt apstākļos, kad var tikt gūtas smagas vai letālas traumas, mēs iesakām personām, kurām ir medicīniskie implantāti, pirms šī izstrādājuma lietošanas konsultēties ar savu ārstu un medicīniskā implantāta ražotāju.
- Regulāri pārļiecinieties, vai akumulatora lādētāja strāvas vads nav bojāts un vai tajā nav plaisu.
- Nevelciet akumulatora lādētāju aiz strāvas vada. Lai akumulatora lādētāju atvienotu no elektrotīkla kontaktligzdas, izraujiet kontaktdakšu. Nevelciet aiz strāvas vada.
- Strāvas vadu un pagarinājuma kabelus turiet tālāk prom no ūdens, eļļas un asām apmalēm. Nodrošiniet, lai kabelis netiktu iespiests durvīs, nožogojumos un līdzīgās konstrukcijās. Tādā gadījumā var notikt strāvas izvade no lādētāja.
- Netīriet akumulatora lādētāju ar ūdeni.
- Akumulatora lādētāju drīkst izmantot bērni no 8 gadu vecuma un cilvēki ar ierobežotām fiziskām, sensorām vai garīgām spējām vai bez pieredzes un zināšanām tikai atbildīgās personas uzraudzībā vai pēc norādījumu par akumulatora lādētāja lietošanu drošā veidā saņemšanas un iespējamo risku izprašanas. Bērni nedrīkst spēlēties ar šo akumulatora lādētāju. Ierīces tīrīšanu un apkopes darbus bērni drīkst veikt tikai

atbildīgās personas uzraudzībā.

- Neizmantojiet akumulatora lādētāju tādu akumulatoru uzlādei, kas nav atkārtoti uzlādējami.
- Nelietojiet akumulatora lādētāju viegli uzliesmojošu materiālu vai materiālu, kas var izraisīt koroziju, tuvumā. Nepārklājiet akumulatora lādētāju. Ja konstatējat dūmus vai uguni, izraujiet akumulatora lādētāja kontaktdakšu.
- Nelietojiet defektīvu vai bojātu akumulatora lādētāju.
- Lādējiet akumulatoru tikai telpā, kur ir laba gaisa plūsma un kur tas nav pakļauts saules gaismai. Nelādējiet akumulatoru mitrumā.

## Norādījumi par drošu apkopi



**BRĪDINĀJUMS:** Pirms sākat lietot šo izstrādājumu, izlasiet zemāk izklāstītos brīdinājumus.

- Pirms veicat izstrādājuma apkopi, izņemiet drošības atslēgu.
- Veiciet apkopes darbus pareizi, lai palielinātu izstrādājuma darbmūžu un

- samazinātu nelaiemes gadījumu risku. Uzticiet remontdarbu veikšanu apstiprināta apkopes uzņēmuma pārstāvim. Lai saņemtu papildinformāciju, sazinieties ar tuvāko apkopes pārstāvi.
- Veiciet tikai tos apkopes darbus, kas norādīti lietošanas rokasgrāmatā.
- Lietojot griešanas aprīkojumu, uzvelciet izturīgus cimdus. Asmens ir ļoti ass, un ar to var viegli sagriezties.
- Uzturiet griezēja malas ir asas un tīras, lai nodrošinātu vislabāko un drošāko veiktspēju.
- Nodrošiniet, lai produktu regulāri pārbaudītu servisa centra darbinieki un tiktu veikta vajadzīgā regulēšana un remontdarbi.
- Nomainiet bojātās, nodilušās un salūzušās detaļas.
- Ievērojiet piederumu maiņas norādījumus. Lietojiet tikai ražotāja apstiprinātos piederumus.
- Kad izstrādājumu neizmantojat, turiet to, akumulatoru un akumulatora lādētāju atstatu vienu no otra sausās un slēgtās telpās. Nodrošiniet, lai bērni un

nepiederošas personas  
nepieklūst izstrādājumam,

akumulatoram vai akumulatora  
lādētājam.

## Montāža

### Ievads



**BRĪDINĀJUMS:** Pirms izstrādājuma montāžas izlasiet un izprotiet drošības norādījumus.

### Multi akumulatora (piederums) uzstādīšana un noņemšana

1. Noņemiet 4 gumijas vāciņus un 4 skrūves no motora pārsega. (Att. 23)
2. Uzlieciet adaptera plāksni uz motora pārsega.
3. Piestipriniet adaptera plāksni ar 4 komplektācijā iekļautajām skrūvēm ar 5–6 Nm griezes momentu. (Att. 24)
4. Atveriet akumulatora lūku.
5. Izņemiet akumulatoru 1. slotā. (Att. 25)
6. Noņemiet blīves atduri. (Att. 26)
7. Spiediet iekšā akumulatora adapteri akumulatora nodalījumā, līdz atskan klikšķis. (Att. 27)
8. Novietojiet akumulatora adaptera vadu caur blīves atduru atverī. Pievienojiet vadu ar skavu. (Att. 28)
9. Uzstādiet multi akumulatoru uz akumulatora adaptera.
10. Pievienojiet multi akumulatoru pie akumulatora adaptera. (Att. 29)
11. Piestipriniet akumulatora adaptera vadu pie roktura ar 3 auduma siksnām. (Att. 30)
12. Lai noņemtu multi akumulatoru, veiciet darbības pretējā secībā.



**BRĪDINĀJUMS:** Nepiestipriniet vadu pie roktura pārāk vaļīgi. Vads var atvienoties no roktura un radīt traumas.

### Roktura montāža (LC 551iV)

1. Atlaidiet apakšējos fiksatorus.
2. Pārvietojiet fiksatorus uz rievu apakšējo galu izstrādājuma kreisajā un labajā pusē. (Att. 31)
3. Iestatiet roktura augstumu vienā no diviem pieejamiem stāvokļiem.

4. Pārvietojiet fiksatorus uz augšu roktura virzienā, līdz tie apstājas un atskan klikšķis. (Att. 32)
5. Pilnībā pievelciet fiksatorus.

### Roktura montāža (LB 548i)

1. Noņemiet roktura uzgriezni un paplāksni no plāksnes uz augšējā roktura.
2. Novietojiet augšējo rokturi pozīcijā virs apakšējā roktura.



**IEVĒROJIET:** Pārliedzieties, vai troses nesapinas un netiek bojātas.

3. Piestipriniet paplāksni un roktura regulēšanas sviru. (Att. 33)
4. Pagrieziet rokturi uz sāniem, lai nodrošinātu piemērotu ekspluatācijas pozīciju, kad izstrādājumu ekspluatējat sienas tuvumā. (Att. 34)

### Zāles savācēja (LC 551iV) montāža

1. Piestipriniet zāles uztvērēja rāmi zāles maisam tā, lai maisa stingrā daļa būtu apakšā. Nodrošiniet, lai rāmja rokturis ir zāles maisa augšdaļā. (Att. 35)
2. Iestipriniet zāles uztvērēja rāmja apakšdaļu zāles uztvērēja apakšdaļas rievā.
3. Piestipriniet zāles maisu zāles uztvērēja rāmim ar spailēm. (Att. 36)
4. Paceliet aizmugurējo pārsegu.
5. Piestipriniet zāles savācēju pie šasijas augšmalas.
6. Ievietojiet zāles savācēja apakšējo daļu zāles izmešanas atverē. (Att. 37)

### Mulčēšanas aizbāžņa (LC 551iV) piederums) montāža

1. Paceliet aizmugurējo pārsegu un noņemiet zāles savācēju.
2. Ievietojiet mulčēšanas ieliktni zāles izmešanas atverē. (Att. 38)
3. Nomainiet asmeni pret mulčēšanas asmeni, kas tiek nodrošināts kopā ar mulčēšanas komplektu. Skatiet šeit: *Asmens nomainīšana lpp. 331.*

# Lietošana

## Ievads



**BRĪDINĀJUMS:** Pirms sākat darbu ar produktu, izlasiet nodaļu par drošību un pārlicinieties, vai saprotat to.

## Husqvarna Connect

Husqvarna Connect ir bezmaksas lietotne jūsu mobilajai ierīcei. Lietotne Husqvarna Connect nodrošina paplašinātas funkcijas jūsu Husqvarna izstrādājumam:

- Paplašināta izstrādājuma informācija.
- Informācija par izstrādājuma daļām un apkopi un palīdzība ar to.

## Lai sāktu izmantot Husqvarna Connect

1. Lejupielādējiet Husqvarna Connect lietotni savā mobilajā ierīcē.
2. Reģistrējieties Husqvarna Connect lietotnē.
3. Izpildiet Husqvarna Connect lietotnē sniegtos norādījumus, lai savienotu un reģistrētu produktu.

## Husqvarna Fleet Services™

Husqvarna Fleet Services™ ir mākoņrisinājums, kas komerciālo mašīnu parka vadītājam nodrošina pārskatu par visām mašīnām. Husqvarna Fleet Services™ risinājums ir iekļauts LC 551iV. Plašāku informāciju par Husqvarna Fleet Services™ skatiet vietnē [www.husqvarna.com](http://www.husqvarna.com).

## Sensora (piederums) sagatavošana

1. Izmantojiet sensora atslēgu, lai atvērtu sensora vāku. (Att. 39)
2. Izņemiet sensoru.
3. Piestipriniet akumulatoru pie sensora. Iedegas sensora LED diode. (Att. 40)
4. Lejupielādējiet Husqvarna Fleet Services™ programmu.
5. Piesakieties lietotnē Husqvarna Fleet Services™.
6. Vieciat savienošanu pāri. Skatiet šeit: *Savienošana pāri starp programmu un izstrādājumu lpp. 328*

## Savienošana pāri starp programmu un izstrādājumu

1. Piesakieties lietotnē Husqvarna Fleet Services™.
2. Atlasiet savu izstrādājumu programmā.
3. Noskenējiet aiz sensora esošo kodu ar mobilo ierīci, lai instalētu sensoru programmā.

**Piezīme:** Savienošana pāri starp programmu un izstrādājumu ir jāveic tikai vienreiz.

## Sensora uzstādīšana

1. Pārlicinieties, vai sensoru ir savienots ar Husqvarna Fleet Services™ programmu. Skatiet šeit: *Savienošana pāri starp programmu un izstrādājumu lpp. 328.*
2. Izurbiet 2 atveres pie atzīmēm korpusa slotā. (Att. 41)

**Piezīme:** Pārlicinieties, vai atverēm ir tāds pats diametrs kā sensora komplektācijā esošajām kniedēm.

3. Izmantojiet knaibles, lai noņemtu ārējās atveres uz sensora slotā. (Att. 42)
4. Izurbiet 2 atveres pie atzīmēm sensora slotā. (Att. 43)
5. Izlīdziniet sensora slotu ar korpusa slotu. (Att. 44)
6. Piestipriniet sensora slotu ar kniedēm.
7. Uzstādiēt sensoru sensora slotā. Izlīdziniet balto atzīmi uz sensora ar atzīmi uz sensora slotā. (Att. 45)
8. Aizveriet vāku uz sensoru un aizslēdziet to ar sensora atslēgu. Pārlicinieties, vai Husqvarna "H" augšdaļa ir vērstā prom no drošības atslēgas. (Att. 46)

## Izstrādājuma novietošana darbības pozīcijā (LC 551iV)

1. Paceliet rokturi uz augšu. (Att. 47)
2. Pārvietojiet fiksatorus uz augšu roktura virzienā, līdz tie apstājas un atskan klikšķis. (Att. 32)
3. Pilnībā pievelciet fiksatorus.

## Pļaušanas augstuma regulēšana

Griešanas augstumu var noregulēt 6 līmeņos.

1. Lai palielinātu griešanas augstumu, pabīdiēt griešanas augstuma sviru riteņa virzienā un pēc tam uz aizmuguri.
2. Lai samazinātu griešanas augstumu, pabīdiēt griešanas augstuma sviru riteņa virzienā un pēc tam uz priekšu. (Att. 48)



**IEVĒROJIET:** Neiestatiet griešanas augstumu pārāk zemu. Ja zāliena virsma nav līdzena, asmeņi var saskarties ar zemi.

## Akumulators



**BRĪDINĀJUMS:** Pirms izmantot akumulatoru, izlasiet nodaļu par drošību un pārlicinieties, vai saprotat to. Izlasiet arī akumulatora un akumulatora lādētāja

komplektā iekļauto lietotāja rokasgrāmatu un pārlicinieties, vai izprotat to.

## Akumulatora statuss

Displejā ir redzams akumulatora atlikušais uzlādes līmenis un akumulatora kļūdu ziņojumi. Akumulatora uzlādes līmenis ir redzams 5 sekundes pēc produkta izslēgšanas vai akumulatora indikatora pogas nospiešanas. Ja radusies kļūda, iedegas akumulatora brīdinājuma simbols. Skatiet šeit: *Akumulators lpp. 332.*

(Att. 49)

LED indikatori	Akumulatora statuss
Deg visi LED indikatori	Pilnībā uzlādēts (75–100%)
Deg 1., 2. un 3. LED indikators	Akumulatora uzlādes līmenis ir 50–75%
Deg 1. un 2. LED indikators	Akumulatora uzlādes līmenis ir 25–50%
Deg 1. LED indikators	Akumulatora uzlādes līmenis ir 0–25%
Mirgo 1. LED indikators	Akumulators ir tukšs. Uzlādējiet akumulatoru.

## Akumulatora uzlāde

Pirms pirmās lietošanas reizes uzlādējiet akumulatoru. Akumulators ir tikai 30% uzlādēts, kad tiek piegādāts klientam.

**Piezīme:** Pievienojiet akumulatora lādētāju strāvas avotam, kura spriegums un frekvence atbilst uz datu plāksnītes norādījumiem.

Akumulators netiek lādēts, ja tā temperatūra pārsniedz 50 °C. Akumulatora lādētājs samazina akumulatora temperatūru, pirms tiek sākta uzlāde.

1. Savienojiet vienu akumulatora lādētāja strāvas vada galu ar akumulatora lādētāja līdzi.
2. Savienojiet akumulatora lādētāja strāvas vada otru galu ar zemētu kontaktlīdzi. Vienreiz iemirgosies akumulatora lādētāja zaļais LED indikators. (Att. 50)
3. Ievietojiet akumulatoru lādētājā. Kad akumulators ir pareizi savienots ar akumulatora lādētāju, tajā deg zaļais indikators. (Att. 51)
4. Kad deg visi akumulatora LED indikatori, akumulators ir pilnībā uzlādēts. Akumulatora uzlādes laiks nedrīkst pārsniegt 24 stundas.
5. Lai atvienotu akumulatora lādētāju no kontaktlīdzas, velciet kontaktdakšu, nevis strāvas vadu.
6. Izņemiet akumulatoru no lādētāja.

## Akumulatora uzlādes statuss

Husqvarna litija jonu akumulatoru drīkst uzlādēt un lietot neatkarīgi no uzlādes līmeņa. Akumulators netiek bojāts. Pilnībā uzlādēts akumulators nesamazinās uzlādes kapacitāti pat tad, ja pēc uzlādes to atstāj lādētājā.

LED indikators	Uzlādes statuss
Mirgo 1. LED indikators	0–25%
Deg 1. LED indikators, mirgo 2. LED indikators	20–50%
Deg 1. un 2. LED indikators, mirgo 3. LED indikators	50–75%
Deg 1., 2. un 3. LED indikators, mirgo 4. LED indikators	75–100%
Deg 1., 2., 3. un 4. LED indikators	Pilnībā uzlādēts

## Multi akumulatora uzlāde

**Piezīme:** Ja akumulatoru lietojat pirmo reizi, uzlādējiet to. Jauns akumulators ir uzlādēts tikai par 30%.

1. Pārlicinieties, vai akumulators ir sauss.
2. Pievienojiet multi akumulatoru pie adaptera. (Att. 52)
3. Ievietojiet adapteri akumulatoru lādētājā.
4. Pārlicinieties, vai iedegas akumulatora lādētāja zaļais uzlādes LED indikators. Tas nozīmē, ka adapteris un multi akumulators ir savienoti pareizi. (Att. 53)
5. Kad deg visi akumulatora LED indikatori un adapteris rāda 100%, akumulators ir pilnībā uzlādēts. (Att. 54)  
Adapteris rāda uzlādes stāvokli ar 1% iedaļām. Uzlādes sākumā ir iespējamas nelielas novirzes.
6. Lai akumulatora lādētāju atvienotu no elektrotīkla kontaktlīdzas, izrauļiet kontaktdakšu. Nerauļiet kabeli.
7. Noņemiet adapteri no akumulatora lādētāja.
8. Noņemiet multi akumulatoru no adaptera.

**Piezīme:** Lai iegūtu papildinformāciju, skatiet multi akumulatora un akumulatora lādētāja rokasgrāmatas.

## Izstrādājuma iedarbināšana

1. Paceliet akumulatora vāciņu.
2. Ievietojiet uzlādētu akumulatoru 1. akumulatora slotā zem akumulatora pārsega. Lai nodrošinātu ilgāku darbību, ievietojiet otru uzlādētu akumulatoru 2. akumulatora slotā.

3. Atvienojiet drošības atslēgu no drošības atslēgas turētāja.
4. Iebīdiēt drošības atslēgu drošības slēdzenē. (Att. 55)
5. Stāviet aiz izstrādājuma.
6. Vadības pulstī nospiediet ieslēgšanas/izslēgšanas pogu. Izgaismojas displejs.
7. Atbrīvojiet iedarbināšanas ierobežotāju. (Att. 22)
8. Nospiediet motora bremžu rokturi ruktura virzienā. (Att. 56)

## Piedziņas izmantošana riteņiem (LC 551iV)

- Velciet piedziņas rokturi stūres virzienā, lai iedarbinātu piedziņu. (Att. 57)
- Lai iestatītu piedziņas ātrumu 4 soļos, vadības pulstī nospiediet + un -. (Att. 58)
- Atlaidiet piedziņas rokturi, lai atvienotu piedziņu, piemēram, ja ejat tuvu šķērslim.

## SavE funkcijas izmantošana

Produktam ir akumulatora taupīšanas funkcija (SavE), kas nodrošina ilgāku akumulatora kalpošanas laiku.

1. Nospiediet pogu SavE (A), lai sāktu izmantot funkciju. Displejā iedegas simbols SavE (B).
2. Nospiediet pogu SavE vēlreiz, lai pārtrauktu izmantot funkciju. Displejā izdziest simbols SavE (B). (Att. 59)

Funkcija SavE tiek apturēta automātiski, ja virsmas apstākļi pieprasa lielāku izstrādes apjomu. Funkcijas SavE izmantošana tiek sākota automātiski vēlreiz, kad virsmas apstākļi to atļauj.

## PowerBoost funkcija

Ja ar produktu tiek griezta gara vai mitra zāle, dzinējs automātiski palielina apgriezieni skaitu. Lai taupītu akumulatora laiku, motors pāriet atpakaļ standarta režīmā automātiski, kad PowerBoost funkcija nav nepieciešama.

## Izstrādājuma izslēgšana

Izstrādājums tiek automātiski apturēts, ja to neizmanto 3 minūtes.

1. Atlaidiet motora bremžu rokturi, lai apturētu motoru. (Att. 21)
2. Vadības pulstī nospiediet ieslēgšanas/izslēgšanas pogu. Displejā izdziest visi LED indikatori un simboli. (Att. 60)
3. Izņemiet drošības atslēgu no drošības slēdzenes un ievietojiet to drošības atslēgas turētājā.

## Labā rezultāta panākšana

- Vienmēr lietojiet tikai asus asmeņus. Lietojot trulu asmeni, plaušanas rezultāts ir nevienmērīgs, un noplautā zāles virsma kļūst dzeltena. Ass asmens arī patērē mazāk enerģijas nekā truls asmens.
- Neplaujiet vairāk par 1/3 no zāles garuma. Vispirms plaujiet ar lielu plaušanas augstuma iestatījumu. Pārbaudiet rezultātu un nolaidiet plaušanas augstumu līdz pieņemamam līmenim. Ja zāle ir ļoti gara, plaujiet lēni un, ja nepieciešams, dariet to divreiz.
- Katru reizi plaujiet dažādos virzienus, lai zālienā neatstātu svītras.

## Zāles griešana bez pievienota zāles savācēja vai mulčēšanas aizbāžņa (LC 551iV)

1. Paceliet aizmugurējo pārsegu un noņemiet zāles savācēju.
2. Ja ir pievienots mulčēšanas aizbāznis un mulčēšanas asmens, noņemiet tos.
3. Pirms produkta lietošanas aizveriet aizmugurējo vāku.

Kad lietojat produktu, nogrieztā zāles tiek izvadīta zem aizmugurējā pārsega.

## Apkope

### Ievads



**BRĪDINĀJUMS:** Pirms veicat apkopi, izlasiet nodaļu par drošību un pārliecinieties, vai izprotat to.

Lai veiktu visus izstrādājuma apkopes un remonta darbus, ir nepieciešama īpaša apmācība. Mēs garantējam profesionāla remonta un apkopes pieejamību. Ja jūsu izplatītājs nav servisa pārstāvis, vērsieties pie viņa, lai iegūtu informāciju par tuvāko servisa pārstāvi.

### Apkopes grafiks

Apkopes intervāli tiek aprēķināti atbilstoši izstrādājuma ikdienas lietošanai. Intervāli mainās, ja izstrādājumu neizmanto ikdienā.

Informāciju par apkopes darbiem, kas atzīmēti ar zvaigznīti \*, skatiet šeit *Norādījumi par drošu darbu lpp. 322.*

	Katrā lietošanas reizē	Reizi mēnesī	Katru sezonu
Vispārējās pārbaudes veikšana	X		
Notīriet transmisijas pārsegu. Pārļiecinieties, vai uz motora nav zāle	X		
Pārbaudiet iedarbināšanas ierobežotāju*	X		
Pārļiecinieties, vai produkta drošības ierīces nav defektīvas*	X		
Pārbaudiet, vai zāles savācējs nav nodilis vai bojāts	X		
Pārbaudiet griešanas apriņķojumu	X		
Pārbaudiet griešanas pārsegu*	X		
Pārbaudiet dzinēja bremžu rokturi*	X		
Pārļiecinieties, vai ieslēgšanas/izslēgšanas poga darbojas pareizi un nav defektīva	X		
Pārbaudiet, vai akumulators nav bojāts	X		
Pārbaudiet akumulatora uzlādi	X		
Pārļiecinieties, vai akumulatora atbrīvošanas pogas darbojas pareizi un vai produkta akumulators tiek nofiksēts vietā.	X		
Iztīriet gaisa iepūdes atveres. Pārļiecinieties, vai uz gaisa iepūdes atverēm nav zāle vai netīrumi	X		
Pārbaudiet, vai nav akumulatora bojājumu un pārļiecinieties, vai tas darbojas pareizi		X	
Pārbaudiet savienojumus starp akumulatoru un izstrādājumu. Pārbaudiet arī savienojumu starp akumulatoru un akumulatora lādētāju			X

## Vispārējās pārbaudes veikšana

- Pārļiecinieties, vai uzgriežņi un skrūves uz izstrādājuma ir cieši pievilkti.
- Pārļiecinieties, vai produkta kabeli nav novietoti tā, ka tie var tikt bojāti.

## Asmens nomaiņšana

1. Blokējiet asmeni ar koka klucīti. (Att. 61)
2. Izņemiet asmens skrūvi, atspēri, noņemiet paplāksni un asmeni. (Att. 62)
3. Pārbaudiet, vai naža adapteris un asmens skrūve nav bojāti.
  - a) Ja nomaināt naža adaptera asmeni, nomainiet arī asmens skrūvi, atspēri, paplāksni un berzes paplāksni.
4. Pārbaudiet dzinēja vārpstu, lai pārļiecinātos, vai tā nav saliekta.
5. Kad piestiprināt jauno asmeni, pārļiecinieties, vai saliektie gali ir vērsti griešanas pārsega virzienā. (Att. 63)

6. Novietojiet berzes paplāksni un asmeni pret asmens atbalstu. (Att. 64)
7. Pārļiecinieties, vai asmens ir salāgots ar motora vārpstas centru. (Att. 65)
8. Blokējiet asmeni ar koka klucīti. (Att. 66)
9. Piestipriniet atspēripaplāksni un piegrieziet skrūvi ar 65-75 Nm griezes momentu. (Att. 67)
10. Ar roku pagrieziet asmeni un pārbaudiet, vai tas griežas brīvi.



**BRĪDINĀJUMS:** Lietojiet aizsargcimdus. Asmens ir ļoti ass, un ar to var viegli sagriezties.

11. Iedarbiniet izstrādājumu, lai pārbaudītu asmeni. Ja asmens nav pareizi piestiprināts, izstrādājums vibrē vai plaušanas rezultāts nav apmierinošs.

## Produkta tīrīšana

- Plastmasas daļas notīriet ar tīru un sausu drāniņu.
- Produkta tīrīšanai neizmantojiet ūdeni. Ūdens var iekļūt akumulatorā vai dzinējā un rādīt īssavienojumu vai produkta bojājumus.

- Produktu nedrīkst skalot ar augstspiediena ūdens strūklu.
- Nekādā gadījumā nelejiet ūdeni tieši uz dzinēja.
- Izmantojiet suku, lai notīrītu lapas, zāli un netīrumus.



**BRĪDINĀJUMS:** Veicot griešanas aprīkojuma apkopi, velciet aizsargcimdus. Asmens ir ļoti ass, un ar to var viegli sagriezties.

## Akumulatora un akumulatora lādētāja tīrīšana



**IEVĒROJIET:** Netīriet akumulatoru un tā lādētāju ar ūdeni.

- Pirms ievietojat akumulatoru lādētājā, pārliecinieties, vai akumulators un akumulatora lādētājs ir tīri un sausi.
- Notīriet akumulatora spaiļes ar saspiestu gaisu vai izmantojiet mīkstu un sausu drānu.
- Notīriet akumulatora un lādētāja virsmas ar mīkstu un sausu drānu.

1. Pārbaudiet, vai griešanas aprīkojums nav bojāts vai iekļūst. Vienmēr nomainiet bojātu griešanas ierīci.
2. Apskatiet asmeni, lai redzētu, vai tas nav bojāts vai truls.

**Piezīme:** Vajadzības gadījumā pēc asmens uzasināšanas to balansējiet. Ļaujiet servisa centram asināt, nomainīt un balansēt asmeni. Ja saskaraties ar šķērslī, kas liek izstrādājumam apstāties, nomainiet bojāto asmeni. Lai apkopes centra pārstāvis novērtē, vai asmens ir jāuzasina, vai arī tas ir jānomaina.

## Griešanas aprīkojuma pārbaudīšana



**BRĪDINĀJUMS:** Lai nepieļautu nejaušu iedarbināšanu, paveldiet drošības atslēgu uz augšu, izņemiet akumulatoru un nogaidiet vismaz 5 sekundes.

## Problēmu novēršana

### Akumulators

LED indikators uz akumulatora	Iespējamās kļūmes	Iespējamā procedūra
Zaļais LED indikators mirgo	Akumulatora spriegums ir zems	Uzlādējiet akumulatoru. Skatiet šeit: <i>Akumulatora uzlāde lpp. 329.</i>
Mirgo kļūdu LED indikators	Akumulators ir vājš	Uzlādējiet akumulatoru. Skatiet šeit: <i>Akumulators lpp. 332.</i>
	Temperatūra darba vidē ir pārāk augsta vai pārāk zema	Akumulatoru drīkst temperatūrā no -10 °C līdz 40 °C.
	Pārspriegums	Pārbaudiet, vai tīkla spriegums ir tāds pats, kā norādīts uz produkta tehnisko datu plāksnītes. Izņemiet akumulatoru no lādētāja. Pagaidiet 5 sekundes un pēc tam mēģiniet akumulatoru uzlādēt. Ja problēma joprojām pastāv, sazinieties ar pilnvarotu apkopes pārstāvi.
Deg kļūdu LED indikators	Pārāk liela elementu atšķirība (1 V)	Sazinieties ar pilnvarotu apkopes pārstāvi.



## Akumulatora lādētājs

LED indikators uz akumulatora lādētāja	Iespējamās kļūmes	Iespējamā procedūra
Mirgo kļūdu LED indikators	Temperatūra darba vidē ir pārāk augsta vai pārāk zema	Akumulatora lādētāju lietojiet temperatūra no 5 °C līdz 40 °C.
Deg kļūdu LED indikators		Sazinieties ar pilnvarotu apkopes pārstāvi

## Vadības pults

Kļūdas kods (mirgošanas reižu skaits)	Iespējamās kļūmes	Iespējamā procedūra
1	Transmisijas motors ir pārāk karsts.	Ļaujiet izstrādājumam atdzist. Pārliecinieties, vai uz transmisijas nav zāle. Vajadzības gadījumā noīriet transmisijas pārsegu.
5	Motora apgriezienu skaits pārāk samazinās, un motors apstājas.	Noīriet griešanas korpusu un palieliniet griešanas augstumu. Skatiet šeit: <i>Pļaušanas augstuma regulēšana lpp. 328</i> . Ja kļūda joprojām pastāv, sazinieties ar jūsu pilnvaroto apkopes pārstāvi.
8	Zems akumulatora uzlādes līmenis.	Uzlādējiet akumulatoru. Skatiet šeit: <i>Akumulatora uzlāde lpp. 329</i> .
9	Akumulatora kļūda vai netiek saņemts signāls no akumulatora.	Ievietojiet akumulatoru pareizi un pārbaudiet akumulatora savienotāju. Ja uz akumulatora mirgo kļūdas gaismas diodes indikators, skatiet šeit: <i>Akumulators lpp. 328</i> .
10	Motora vadības bloks ir pārāk karsts	Apturiet motoru un uzgaidiet, līdz tas kļūst vēss.
Citas kļūdas	Ja rodas citas kļūdas, izņemiet drošības atslēgu un akumulatoru un sazinieties ar apstiprinātu apkopes pārstāvi.	

## Pārvadāšana, glabāšana un utilizēšana

### Ievads



**BRĪDINĀJUMS:** Lai nepieļautu nejaušu iedarbināšanu transportēšanas laikā, pavelciet drošības atslēgu uz augšu, izņemiet akumulatoru un nogaidiet vismaz 5 sekundes.

### Lai novietotu produktu transportēšanas pozīcijā (LC 551V)

1. Atlaidiet apakšējos fiksatorus.
2. Pārvietojiet fiksatorus uz rienu apakšējo malu izstrādājuma kreisajā un labajā pusē. (Att. 31)
3. Nolokiet rokturi uz priekšu. (Att. 68)
4. Noņemiet zāles savācēju.

### Transportēšana

- Uz iekļautajiem litija jonu akumulatoriem attiecas likumu prasības par bīstamajām precēm.
- Komerציālai transportēšanai ir jāievēro īpašas prasības uz iepakojuma un uzlīmēm.
- Noteikti ievērojiet noteikumus, kas attiecas uz bīstamiem materiāliem, kad produktu sagatavojat transportēšanai. Spēkā var būt vietēji noteikumi.
- Transportēšanas laikā izņemiet akumulatoru.
- Uzlieciet lenti uz akumulatora savienotājiem un pārliecinieties, vai akumulators transportēšanas laikā nevar kustēties.
- Transportēšanas laikā nostipriniet produktu.

### Glabāšana

- Glabāšanas laikā izņemiet akumulatoru.

- Lai novērstu nelaimes gadījumus, produktu glabāšanas laikā akumulatoram ir jābūt atvienotam no produkta.
- Turiet akumulatora lādētāju slēgtā un sausā vietā.
- Turiet akumulatoru un akumulatora lādētāju sausā vietā, kur nav mitruma vai sala ietekmes.
- Uzglabāšanas laikā atvienojiet akumulatoru no akumulatora lādētāja.
- Neglabājiet akumulatoru vietās, kur var rasties statiskā elektrība. Neglabājiet akumulatoru metāla kārbā.
- Akumulatoru glabājiet vietā, kur temperatūra ir no 5 °C līdz 25 °C un uz to neiedarbojas tieši saules stari.
- Akumulatora lādētāju glabājiet vietā, kur temperatūra ir no 5 °C līdz 45 °C un uz to neiedarbojas tieši saules stari.
- Akumulatora uzlādes līmenim pirms ilgstošas glabāšanas jābūt 30–50%.
- Glabājiet produktu, akumulatoru un akumulatora lādētāju slēgtā vietā, kas nav pieejama bērniem un nesankcionētiem personām.

- Nofīriet produktu un veiciet pilnu apkopi, pirms novietojat produktu ilgstošai glabāšanai.

## Atbrīvošanās no produkta

Simboli uz produkta vai tā iepakojuma norāda, ka no šī produkta nedrīkst atbrīvoties kā no sadzīves atkritumiem. Tas ir jānodod atbilstošā elektrisko un elektronisko ierīču pārstrādes uzņēmumā.

Nodrošinot, ka šis izstrādājums tiek pareizi pārstrādāts, varat palīdzēt novērst iespējamo negatīvo ietekmi uz vidi un cilvēkiem. Pretējā gadījumā tiek veikta nepareiza šī izstrādājuma izmantošana. Lai uzzinātu vairāk par šī izstrādājuma pārstrādi, sazinieties ar vietējo pašvaldību, atkritumu pārstrādes uzņēmumu vai veikalu, kurā iegādājāties šo izstrādājumu.

(Att. 69)

## Tehniskie dati

### Tehniskie dati

	LB 548i	LC 551iV
<b>Pļaušanas motors</b>		
Motora tips	BLDC (bezvadu) 36 V	BLDC (bezvadu) 36 V
Motora ātrums — SavE, apgr./min*	2600	2600
Motora ātrums — nominālais, apgr./min*	3000	3000
Motora ātrums — liela slodze, apgr./min*	3300	3300
Motora jauda — maks., kW	1,8	1,8
Motora jauda — nominālā, kW	1,5	1,5
<b>Piedziņas motors</b>		
Motora jauda — nominālā, kW	NAV PIEEJAMS	0,3
Kustības ātrums, km/h	NAV PIEEJAMS	3,0-5,0
Ātruma regulēšanas līmeņi	NAV PIEEJAMS	4
<b>Svars</b>		
Svars bez akumulatora, kg	31	41
<b>Akumulators</b>		
Akumulatora tips	Husqvarna akumulatoru sērija	Husqvarna akumulatoru sērija
<b>Akumulatora darbības laiks</b>		
Akumulatora darbības laiks, minimālais (brīvgaita), ar aktivizētu funkciju SavE un vienu Husqvarna 5,2 Ah akumulatoru (Bli200).	40	30

	LB 548i	LC 551iV
Akumulatora darbības laiks, minimālais (brīvgaita) ar aktivizētu standarta režīmu, ar vienu Husqvarna 5,2 Ah akumulatoru (BLi200).	30	20
<b>Trokšņa emisija</b> <sup>46</sup>		
Skaņas jaudas līmenis, izmērītais dB(A)	93	97
Skaņas jaudas līmenis, garantētais L <sub>WA</sub> dB(A)	93	97
<b>Skaņas līmenis</b> <sup>47</sup>		
Skaņas spiediena līmenis pie operatora auss, dB(A)	80	84
<b>Vibrācijas līmeņi</b> <sup>48</sup>		
Rokturis, m/s <sup>2</sup>	0,3	0,3
<b>Griešanas ierīce</b>		
Griešanas augstums, mm	20-75	20-75
Plaušanas platums, cm	48	51
Asmeņu standarts	Mulčēšanas asmens 597466510	Vākšanas asmens 597466310
Asmeņu piederums	N/A	Mulčēšanas asmens 597466410
Zāles savācēja tilpums, l	N/A	65

\* Apgrībienu skaits minūtē

KEES VAN DER SPEK

Apstiprinātie akumulatori	Tips	Akumulatora ietilpība, Ah	Spriegums, V	Svars, mārciņas/kg
BLi20	Litija jonu	4,0	36	2,6/1,2
BLi200	Litija jonu	5,2	36	2,8/1,3
BLi300	Litija jonu	9,4	36	4,1/1,9
BLi550X	Litija jonu	15,6	36	12,4/5,6
BLi950X	Litija jonu	31,1	36	15,4/7,0

Apstiprinātie lādētāji norādītajiem akumulatoriem, BLi	Ieejas spriegums, V	Frekvence, Hz	Jauda, W
QC80	100–240	50–60	80
QC80F	12	0	80
QC330	100–240	50–60	330

<sup>46</sup> Atbilstoši EK direktīvai 2000/14/EK trokšņa emisija apkārtņē ir mērīta kā trokšņa jauda (L<sub>WA</sub>).

<sup>47</sup> Sniegtajos datos par skaņas spiediena līmeni tipiskā statistiskā izkliede ir 1,2 dB(A) (standartnovirze).

<sup>48</sup> Sniegtajos datos par vibrācijas līmeni tipiskā statistiskā izkliede ir 0,2 m/s<sup>2</sup> (standarta novirze). Vibrācijas standarts EN 60335-2-77:2017 nodaļa 20.105

Apstiprinātie lādētāji norādītajiem akumulatoriem, BLi	Ieejas spriegums, V	Frekvence, Hz	Jauda, W
QC500	100–240	50–60	500

**KEES VAN DER SPEK**  
TUINMACHINES ★ STOLWIJK

---

# EK atbilstības deklarācija

---

## EK atbilstības deklarācija

**Husqvarna AB**, SE-561 82 Huskvarna, Zviedrija, tālr.  
Nr.: +46-36-146500, apliecina, ka **zālesplāvējs**  
**Husqvarna LB 548i, LC 551iV**, kas ražots sākot ar  
2019. gadu, atbilst PADOMES DIREKTĪVAS prasībām:

- 2011. gada 8. jūnija direktīva **2011/65/ES** "par dažu bīstamu vielu izmantošanas ierobežošanu".
- 2006. gada 17. maijs, Direktīva **2006/42/EK**, "par mašīnu tehniku"
- 2014. gada 26. februāra direktīva **2014/30/ES** "par elektromagnētisko saderību";
- 2000. gada 8. maija direktīva **2000/14/EK** "par trokšņa emisiju vidē".

Lai iegūtu informāciju par trokšņa emisijām, skatiet sadaļu "Tehniskie dati".

Ir piemēroti šādi standarti:

**IEC 60335-1:2010, IEC 60335-2-77:2002, EN 60335-1:2012, EN 60335-2-77:2010 EN/IEC 62233:2008 EN 61000-6-3:2005 EN 61000-6-1:2005**

Ja nav norādīts citādi, ir spēkā iepriekš uzskaitīto standartu jaunākās publicētās versijas.

Pieteikuma iesniedzējs **0404, RISE SMP Svensk Maskinprovning AB, Box 7035, SE-750 07 Uppsala** ir veicis atbilstības novērtēšanu saskaņā ar Direktīvas 200/14/EK VI pielikumu un izsniedzis sertifikāciju ar numuru:01/901/324 (LB 548i), 01/901/323 (LC 551iV)

Huskvarna, 2020-01-20



Claes Losdal, nodaļas vadītājs/dārzkopības izstrādājumi  
(Pilnvarotais Husqvarna AB pārstāvis, kas atbild par tehnisko dokumentāciju)

---

## Inhoud

---

Inleiding.....	338	Probleemoplossing.....	353
Veiligheid.....	340	Vervoer, opslag en verwerking.....	355
Montage.....	348	Technische gegevens.....	355
Werking.....	349	EG verklaring van overeenstemming.....	358
Onderhoud.....	352		

---

## Inleiding

---

### Productbeschrijving

Het product is een roterende duwmaaier. Het model LB 548i gebruikt BioClip om het gras tot meststof te snijden.

Het model LC 551iV verzamelt het gras in een grasopvangbak. Verwijder de grasopvangbak om het gras aan de achterkant af te voeren. Bevestig een

mulchkit (accessoire) om het gras te snijden tot meststof.

### Gebruik

Gebruik het product voor het snijden van gras in particuliere tuinen. Gebruik het product niet voor andere taken.

### Productoverzicht

(Fig. 1)

1. Bedieningspaneel
2. Remhendel van de motor
3. Startvergrendeling
4. Grasopvangbak (LC 551iV)
5. Achterklep (LC 551iV)
6. Veiligheidssleutel
7. Knop van hendel (LC 551iV)
8. Afstelhendel voor hendel (LB 548i)
9. Accudeksel
10. Maaihoogteregeling (LC 551iV)
11. AAN/UIT-knop
12. SavE-knop
13. SavE-indicator
14. Accu-indicator
15. Snelheidsindicator
16. Knop voor snelheid verlagen
17. Knop voor snelheid verhogen
18. Fout-led
19. Kap van maaidek
20. Luchtinlaten
21. Productplaatje
22. Aandrijfhendel (LC 551iV)
23. Acculader (accessoire)
24. Accu (accessoire)
25. Multi-accu (accessoire)
26. Adapterplaat (accessoire)
27. Adapter voor multi-accu (accessoire)
28. Bedieningshandleiding

### Symbolen op het product

(Fig. 2)

**WAARSCHUWING:** Dit product kan gevaarlijk zijn en ernstig of fataal letsel toebrengen aan de gebruiker of anderen. Wees voorzichtig en gebruik het product op de juiste manier.

(Fig. 3)

Lees de bedieningshandleiding goed door en zorg dat u de instructies hebt begrepen voordat u dit product gaat gebruiken.

(Fig. 4)

Houd personen en dieren op veilige afstand van het werkgebied.

- (Fig. 5) Kijk uit voor weggeslingerde en afgeketste voorwerpen.
- (Fig. 6) Waarschuwing: Houd handen en voeten uit de buurt van het roterende mes.
- (Fig. 7) Waarschuwing: Houd handen en voeten uit de buurt van draaiende onderdelen.
- (Fig. 8) Verwijder de veiligheidssleutel voordat u reparatie- of onderhoudswerkzaamheden gaat uitvoeren.
- (Fig. 9) **Milieusymbool.** Het product of de verpakking ervan is geen huishoudelijk afval. Lever het in bij een erkende verwijderingslocatie voor elektrische en elektronische apparatuur.
- (Fig. 10) Het product voldoet aan de geldende EG-richtlijnen.
- (Fig. 11) Het product voldoet aan de geldende richtlijnen van de Euraziatische Douane-unie.
- (Fig. 12) Het product voldoet aan de geldende UkrSEPRO-richtlijnen.

- (Fig. 13) Het product voldoet aan de geldende RCM-richtlijnen. Alleen van toepassing op AU/NZ

- (Fig. 14) De geluidsemisatie is in overeenstemming met geldende EU-richtlijnen. De geluidsemisatie van het product is vermeld in *Technische gegevens op pagina 355* en op het plaatje.

## **IPX4** Beschermd tegen spatwater. **IPX4**

- (Fig. 19) Startprocedure: druk op de AAN/UIT-knop, maak de startvergrendeling los, druk de remhendel van de motor omlaag.

- (Fig. 15) Zet de remhendel van de motor los om te stoppen.

- (Fig. 16) Langzaam

- (Fig. 17) Snel

- (Fig. 18) Scanbare code

---

**Let op:** Andere symbolen/stickers op het product hebben betrekking op certificeringseisen voor bepaalde markten.

---

## **Label op het product**

(Fig. 20)

Houd handen en voeten uit de buurt van roterende messen.

## **Productaansprakelijkheid**

Zoals uiteengezet in de wet voor productaansprakelijkheid zijn wij niet aansprakelijk voor schade die door ons product wordt veroorzaakt, indien:

- het product niet goed is gerepareerd.
- het product is gerepareerd met onderdelen die niet van de fabrikant afkomstig zijn, of onderdelen die niet zijn goedgekeurd door de fabrikant.

- het product een accessoire bevat dat niet afkomstig is van de fabrikant of niet is goedgekeurd door de fabrikant.

- het product niet is gerepareerd door een erkend servicepunt of door een erkende autoriteit.

---

## Veiligheid

---

### Veiligheidsdefinities

Waarschuwingen, voorzorgsmaatregelen en opmerkingen worden gebruikt om te wijzen op belangrijke delen van de handleiding.



#### **WAARSCHUWING:**

Wordt gebruikt om te wijzen op de kans op ernstig of fataal letsel voor de gebruiker of omstanders wanneer de instructies in de handleiding niet worden gevolgd.



#### **OPGELET:**

Wordt gebruikt indien er een risico bestaat op schade aan het product en andere eigendommen of aan de omgeving wanneer de instructies in de handleiding niet worden gevolgd.

**Let op:** Geven verdere informatie die nodig is in een bepaalde situatie.

### Algemene veiligheidsinstructies



**WAARSCHUWING:** Lees de volgende waarschuwingen voordat u het product gaat gebruiken.

- Dit product is gevaarlijk als het verkeerd wordt gebruikt, of als u niet voorzichtig bent. Letsel of overlijden kunnen het gevolg zijn als u de veiligheidsvoorschriften negeert.
- Dit product produceert tijdens bedrijf een elektromagnetisch veld. Dit veld kan onder bepaalde omstandigheden de werking van actieve of passieve medische implantaten verstoren. Om het risico op ernstig of dodelijk letsel te beperken, raden we personen met een medisch implantaat aan om contact op te nemen met hun arts en de fabrikant van het medische implantaat alvorens dit product te gaan gebruiken.
- Wees altijd voorzichtig en gebruik uw gezond verstand. Als u niet zeker weet hoe u het



product moet bedienen in een bepaalde situatie, stop dan en informeer bij uw Husqvarna dealer voordat u verdergaat.

- Denk erom dat de bediener of gebruiker verantwoordelijk is voor ongelukken of beschadigingen aan eigendommen.
- Houd het product schoon. Zorg ervoor dat u de aanduidingen en stickers duidelijk kunt lezen.
- Laat kinderen of mensen die niet bekend zijn met deze gebruiksaanwijzing het apparaat niet gebruiken. Er kunnen plaatselijke regels zijn met betrekking tot de minimumleeftijd voor het bedienen van dit apparaat
- Houd personen met een lichamelijke of geestelijke beperking die het product gebruiken, altijd in de gaten. Er moet te allen tijde een verantwoordelijke volwassene aanwezig zijn.
- Gebruik het product nooit als u moe of ziek bent, of onder invloed van alcohol, drugs of medicijnen verkeert. Dit heeft een negatief effect op uw visie, alertheid, coördinatie en oordeel.

- Gebruik het product niet als het defect is.
- Wijzig dit product niet of gebruik het niet als het door anderen kan zijn gewijzigd.

## Veiligheid van het werkgebied



**WAARSCHUWING:** Lees de volgende waarschuwingen voordat u het product gaat gebruiken.

---

- Verwijder objecten zoals takken, twijgen en stenen uit het werkgebied voordat u het product gaat gebruiken.
- Objecten die tegen de snijuitrusting aankomen, kunnen worden uitgeworpen en schade veroorzaken aan personen en objecten. Houd omstanders en dieren op veilige afstand van het product.
- Gebruik het product nooit in slechte weersomstandigheden zoals mist, regen, sterke wind, hevige kou of als er gevaar is voor blikseminslag. Het gebruik van dit product bij slecht weer of op vochtige of natte plaatsen is vermoeiend. Slecht weer kan leiden tot gevaarlijke situaties zoals gladde ondergronden.

- Kijk uit voor personen, objecten en situaties die een veilig gebruik van het product kunnen verhinderen.
- Kijk uit voor obstakels zoals wortels, stenen, takjes, kuilen en greppels. Obstakels kunnen moeilijk te zien zijn door hoog gras.
- Gras maaien op hellingen kan gevaarlijk zijn. Maai niet op overmatig steile hellingen. Gebruik het product niet op een helling van meer dan 15°
- Ga uiterst behoedzaam te werk wanneer u van richting verandert op hellingen. Gebruik het product dwars over het oppervlak van hellingen. Ga niet van boven naar beneden.
- Wees voorzichtig wanneer u in de buurt komt van onoverzichtelijke bochten en voorwerpen die uw zicht kunnen belemmeren.
- toegestaan om het product voor andere doeleinden te gebruiken.
- Maak altijd gebruik van persoonlijke beschermingsmiddelen. Zie *Persoonlijke beschermingsuitrusting op pagina 343*.
- Zorg ervoor dat u weet hoe u de motor in een noodsituatie snel kunt stoppen.
- Gebruik het product niet in regen of natte omstandigheden. Het risico van een elektrische schok neemt toe als water het product binnendringt.
- Gebruik dit product alleen als het mes en alle afdekkingen correct zijn bevestigd. Een verkeerd bevestigd mes kan losraken en letsel veroorzaken.
- Zorg ervoor dat het mes geen voorwerpen raakt zoals stenen en wortels. Hierdoor kan het mes beschadigd raken en de motoras verbuigen. Een gebogen as veroorzaakt zware trillingen en een zeer groot risico dat het mes losraakt.
- Stop het product onmiddellijk als het mes een voorwerp wordt geraakt of als zich trillingen voordoen. Stop de

## Werkveiligheid



**WAARSCHUWING:** Lees de volgende waarschuwingen voordat u het product gaat gebruiken.

- Gebruik dit product alleen om gazons te maaien. Het is niet

motor, trek de veiligheidssleutel omhoog en verwijder de accu. Controleer het product op schade.

Repareer schade of laat een erkende servicewerkplaats de reparatie uitvoeren.

- Bevestig de motorremhendel nooit permanent aan de handgreep wanneer de motor wordt gestart.
- Plaats het product op een stabiele, vlakke ondergrond en start het. Zorg ervoor dat het mes niet in aanraking komt met de grond of andere voorwerpen.
- Blijf altijd achter het product wanneer u het gebruikt.
- Zorg dat alle wielen op de grond blijven en houd 2 handen op de handgreep tijdens de bediening van het product. Houd uw handen en voeten uit de buurt van de roterende messen.
- Kantel het product niet terwijl de motor draait.
- Wees voorzichtig wanneer u het product naar achteren trekt.
- Til het product nooit op terwijl de motor draait. Als u het product moet optillen, zet dan eerst de motor uit, trek de

veiligheidssleutel omhoog en verwijder de accu.

- Loop niet achteruit wanneer u het product bedient.
- Stop de motor als u in gebieden zonder gras komt, bijvoorbeeld op paden van grind, stenen en asfalt.
- Loop niet hard met het product wanneer de motor is ingeschakeld. Loop altijd rustig wanneer u het product bedient.
- Zet de motor uit voordat u de maaihoogte wijzigt. Voer nooit afstellingen uit terwijl de motor draait.
- Houd altijd toezicht op het product wanneer de motor draait. Schakel de motor uit en zorg ervoor dat de snijuitrusting niet draait.

#### Veiligheidsinstructies voor bediening

#### Persoonlijke beschermingsuitrusting



**WAARSCHUWING:** Lees de volgende waarschuwingen voordat u het product gaat gebruiken.

---

- Persoonlijke beschermingsuitrusting kunnen niet alle risico's

uitsluiten maar kunnen de ernst van eventueel letsel helpen beperken. Vraag uw dealer u te helpen bij het kiezen van de juiste beschermingsmiddelen.

- Gebruik zware antisliplaarzen of -schoenen. Draag geen open schoenen en loop niet op blote voeten.
- Draag een lange broek van stevige stof.
- Draag zo nodig beschermende handschoenen, bijvoorbeeld bij het monteren, inspecteren of reinigen van de snijuitrusting.

## Veiligheidsvoorzieningen op het product



**WAARSCHUWING:** Lees de volgende waarschuwingen voordat u het product gaat gebruiken.

- Gebruik het product nooit wanneer de veiligheidsvoorzieningen defect zijn.
- Controleer de veiligheidsvoorzieningen regelmatig op een juiste werking. Als de veiligheidsvoorzieningen defect zijn, neem dan contact

op met uw Husqvarna servicewerkplaats.

## De kap van het maaidek controleren

De kap van het maaidek vermindert trillingen in het product en vermindert het risico op letsel door het mes.

- Controleer de kap van het maaidek om te zien of er geen schade is, zoals barsten.

## Veiligheidssleutel

De veiligheidssleutel bevindt zich onder het accudeksel. De veiligheidssleutel zorgt voor verbinding met de accu die de motor van voeding voorziet.

## De veiligheidssleutel controleren

De veiligheidssleutel zorgt voor verbinding met de accu die de motor van voeding voorziet.

- Start en stop de motor. Als de veiligheidssleutel naar behoren werkt, kan de motor alleen worden gestart wanneer de sleutel in de veiligheidsvergrendeling zit.

## Remhendel van de motor

De remhendel van de motor stopt de motor. Als de remhendel van de motor wordt losgelaten, stopt de motor.

Voor een inspectie van de motorrem start u de motor en laat u de motorremhendel los. Als de motor niet binnen 3 seconden stopt, laat de motorrem dan afstellen door een erkende Husqvarna servicewerkplaats.

(Fig. 21)

## Startvergrendeling onderzoeken

Controleer de startvergrendeling om er zeker van te zijn dat deze de werking van de motor voorkomt.

1. Druk de hendel van de motorrem in de richting van de handgreep. De startvergrendeling stopt de beweging.
2. Duw de startvergrendeling naar buiten. (Fig. 22)
3. Laat de startvergrendeling los en controleer of deze teruggaat naar de oorspronkelijke stand.

## Veiligheid bij accu's



**WAARSCHUWING:** Lees de volgende waarschuwingen voordat u het product gaat gebruiken.

- Gebruik uitsluitend oplaadbare batterijen van Husqvarna als voedingsbron voor gerelateerde producten van Husqvarna. Gebruik de accu niet als voedingsbron voor andere apparaten, om letsel te voorkomen.
- Gebruik geen niet-oplaadbare accu's.
- Risico van elektrische schok. Breng de accuklemmen niet in contact met sleutels, munten, schroeven of ander metaal. Dit kan een kortsluiting van de accu veroorzaken.
- Plaats geen voorwerpen in de luchtspleten van de accu.
- Bescherm de accu tegen direct zonlicht, warmte of open vuur. De accu kan exploderen en brandwonden en/of chemische brandwonden veroorzaken.
- Bescherm de accu tegen regen en vocht.
- Houd de accu uit de buurt van magnetrons en hoge druk.

- Probeer de accu niet te demonteren of te slopen.
- Als er een accu lekt, zorg er dan voor dat de vloeistof niet in aanraking komt met uw huid of ogen. Als u in aanraking bent gekomen met de vloeistof, reinig het oppervlak dan met een ruime hoeveelheid water en raadpleeg een arts.
- Gebruik de accu bij temperaturen tussen -10 °C en 40 °C.
- Reinig de accu of acculader nooit met water. Zie *Accu en acculader reinigen op pagina 353*.
- Gebruik geen defecte of beschadigde accu.
- Sla accu's op uit de buurt van metalen voorwerpen, bijvoorbeeld spijkers, munten en sieraden.
- accu's van Husqvarna op te laden.
- Gevaar voor elektrische schokken en kortsluiting. Plaats geen voorwerpen in de luchtspleten van de oplader. Probeer de acculader niet te demonteren. Verbind de laadcontacten niet met metalen objecten. Gebruik een goedgekeurde wandcontactdoos.
- Dit product produceert tijdens bedrijf een elektromagnetisch veld. Dit veld kan onder bepaalde omstandigheden de werking van actieve of passieve medische implantaten verstoren. Om het risico op ernstig of fataal letsel te beperken, raden we personen met een medisch implantaat aan om contact op te nemen met hun arts en de fabrikant van het medische implantaat voordat ze dit product gaan bedienen.
- Controleer regelmatig of de voedingskabel van de acculader niet beschadigd of gescheurd is.
- Til de acculader niet op aan de voedingskabel. Trek aan de stekker om de acculader uit de wandcontactdoos te halen. Trek niet aan de voedingskabel.

## Veiligheidsvoorschriften voor acculader



**WAARSCHUWING:** Lees de volgende waarschuwingen voordat u het product gaat gebruiken.

- Gebruik de QC-acculaders uitsluitend om vervangende

- Houd de voedingskabel en de verlengsnoeren uit de buurt van water, olie en scherpe randen. Let op dat de kabel niet bekneld raakt tussen deuren, hekken e.d. Anders kan de lader onder spanning komen te staan.
- Reinig de acculader nooit met water.
- De acculader kan worden gebruikt door kinderen vanaf 8 jaar en ouder en andere personen die ondanks hun fysieke, sensorische of geestelijke handicap of gebrek aan ervaring en kennis onder toezicht of instructie van een verantwoordelijke persoon in staat zijn veilig gebruik te maken van de acculader en op de hoogte zijn van alle gevaren. Kinderen mogen niet spelen met de acculader. Kinderen mogen het apparaat niet zonder toezicht reinigen of onderhouden.
- Laad niet-oplaadbare accu's niet op in de acculader.
- Gebruik de acculader niet in de buurt van brandbare materialen of materialen die corrosie kunnen veroorzaken. Dek de acculader niet af. Haal de stekker van de acculader uit de wandcontactdoos bij rookontwikkeling of brand.
- Gebruik geen defecte of beschadigde acculader.
- De accu mag alleen binnenshuis worden opgeladen op een plek met voldoende ventilatie en zonder direct zonlicht. Laad de accu niet op in vochtige omstandigheden.

### Veiligheidsinstructies voor onderhoud



**WAARSCHUWING:** Lees de volgende waarschuwingen voordat u het product gaat gebruiken.

- Verwijder de veiligheidssleutel voordat u onderhoud aan het product uitvoert.
- Voer de onderhoudswerkzaamheden naar behoren uit om de levensduur van het product te verlengen en het risico op ongevallen te verlagen. Laat professionele reparaties uitvoeren door een erkende servicewerkplaats. Neem contact op met uw dichtstbijzijnde servicewerkplaats voor meer informatie.
- Voer alleen onderhoudswerkzaamheden

- uit zoals beschreven in deze bedieningshandleiding.
- Draag handschoenen voor zwaar gebruik wanneer u de snijuitrusting hanteert. Het mes is zeer scherp en kan gemakkelijk snijwonden veroorzaken.
  - Houd de snijkanten scherp en schoon voor optimale prestaties en veiligheid.
  - Laat het product regelmatig controleren door uw servicewerkplaats en laat noodzakelijke aanpassingen en reparaties uitvoeren.
  - Vervang beschadigde, versleten of defecte onderdelen.

- Volg de instructies voor het vervangen van accessoires. Gebruik alleen accessoires van de fabrikant.
- Houd het product, de accu en de acculader, wanneer deze niet in gebruik zijn, apart in een droge, afgesloten locatie binnenshuis. Zorg dat kinderen en niet-geautoriseerde personen geen toegang hebben tot het product, de accu of de acculader.

KES VAN DER SPEK  
HUISAPPLIANTEN

---

## Montage

---

### Inleiding



**WAARSCHUWING:** Zorg dat u het hoofdstuk over veiligheid hebt gelezen en begrepen voordat u het apparaat monteert.

### De multi-accu (accessoire) monteren en verwijderen

1. Verwijder de 4 rubberen afdekkingen en de 4 schroeven van de motorkap. (Fig. 23)
2. Plaats de adapterplaat op de motorkap.
3. Bevestig de adapterplaat met de 4 meegeleverde schroeven met een aanhaalmoment van 5-6 Nm. (Fig. 24)
4. Open de accuklep.
5. Verwijder de accu in sleuf 1. (Fig. 25)
6. Verwijder de afdichtstop. (Fig. 26)
7. Duw de accu-adapter in het accuvak totdat u een klik hoort. (Fig. 27)

8. Steek de kabel van de accu-adapter door de opening van de afdichtstop. Bevestig de kabel met de klem. (Fig. 28)
9. Plaats de multi-accu op de accu-adapter.
10. Sluit de multi-accu aan op de accu-adapter. (Fig. 29)
11. Bevestig de kabel van de accu-adapter met de 3 stoffen banden aan de hendel. (Fig. 30)
12. Verwijder de multi-accu in de omgekeerde volgorde.



**WAARSCHUWING:** Bevestig de kabel niet te los aan de hendel. De kabel kan van het handvat losraken en letsel veroorzaken.

### De hendel monteren (LC 551iV)

1. Draai de onderste knoppen los.
2. Beweeg de knoppen naar het onderste uiteinde van de sleuven aan de linker- en rechterzijde van het product. (Fig. 31)
3. Stel de hendelhoogte af op een van de twee beschikbare posities.
4. Beweeg de knoppen omhoog naar de handgreep tot de aanslag en u een klik hoort. (Fig. 32)



5. Draai de knoppen volledig vast.

## De hendel monteren (LB 548i)

1. Verwijder de moer en de ring van de plaat op de bovenste hendel.
2. Zet de bovenste hendel op zijn plaats op de onderste hendel.



**OPGELET:** Zorg ervoor dat de draden niet bekneld raken of beschadigd raken.

3. Bevestig de ring en de afstelhendel voor de hendel. (Fig. 33)
4. Draai de hendel naar de zijkant voor een goede werkstand wanneer u het product in de buurt van een muur bedient. (Fig. 34)

## Grasopvangbak monteren (LC 551iV)

1. Breng het frame van de grasopvangbak aan in de graszak met het stevige gedeelte van de zak aan de onderzijde. Zorg dat de hendel van het frame aan de bovenkant van de graszak blijft. (Fig. 35)

2. Bevestig het onderste gedeelte van het frame van de grasopvangbak in de groef aan de onderzijde van de grasopvangbak.
3. Bevestig de graszak met de klemmen aan het frame van de grasopvangbak. (Fig. 36)
4. Til de achterklep op.
5. Bevestig de grasopvangbak aan de bovenrand van het chassis.
6. Plaats het onderste deel van de grasopvangbak in het grasuitwerpkanaal. (Fig. 37)

## De mulchplug monteren (accessoire LC 551iV)

1. Til de achterklep op en verwijder de grasopvangbak.
2. Steek de mulchplug in het afvoerkanal. (Fig. 38)
3. Vervang het mes door het in de mulchkit meegeleverde mulchmes. Zie *Mes vervangen op pagina 352*.

# Werking

## Inleiding



**WAARSCHUWING:** Voordat u het product gaat gebruiken, dient u het hoofdstuk over veiligheid te lezen en hebben begrepen.

## Husqvarna Connect

Husqvarna Connect is een gratis app voor uw mobiele apparaat. De Husqvarna Connect-app biedt uitgebreide functies voor uw Husqvarna-product:

- Uitgebreide productinformatie.
- Informatie over, en hulp bij, onderdelen en onderhoud van uw product.

## Husqvarna Connect gebruiken

1. Download de Husqvarna Connect-app op uw mobiele apparaat.
2. Registreer in de Husqvarna Connect-app.
3. Volg de instructies in de Husqvarna Connect-app om verbinding te maken met het product en dit te registreren.

## Husqvarna Fleet Services™

Husqvarna Fleet Services™ is een cloudoplossing waarmee de commerciële fleetmanager een overzicht heeft van alle producten. Husqvarna Fleet Services™ is inbegrepen voor de LC 551iV. Voor meer informatie over Husqvarna Fleet Services™ gaat u naar [www.husqvarna.com](http://www.husqvarna.com).

## De sensor (accessoire) voorbereiden

1. Gebruik de sensorsleutel om het deksel van de sensor te openen. (Fig. 39)
2. Verwijder de sensor.
3. Bevestig de accu op de sensor. De led van de sensor gaat branden. (Fig. 40)
4. Download de Husqvarna Fleet Services™ -app.
5. Meld u aan bij de Husqvarna Fleet Services™ -app.
6. Koppel het product. Zie *De app en het product koppelen op pagina 349*

## De app en het product koppelen

1. Meld u aan bij de Husqvarna Fleet Services™ -app.
2. Selecteer uw product in de app.
3. Scan de code achter de sensor met uw mobiele apparaat om de sensor in de app te installeren.

**Let op:** U hoeft de app en het product slechts eenmaal te koppelen.

## De sensor monteren

1. Zorg ervoor dat de sensor goed is verbonden met de Husqvarna Fleet Services™ -app. Zie *De app en het product koppelen op pagina 349*.
2. Boor 2 gaten door de markeringen in de sleuf van de behuizing. (Fig. 41)

**Let op:** Zorg ervoor dat de gaten dezelfde afmeting hebben als de klinknagels die bij de sensor zijn geleverd.

3. Gebruik een tang om de buitenste gaten in de sensorsleuf te verwijderen. (Fig. 42)
4. Boor 2 gaten door de markeringen in de sensorsleuf. (Fig. 43)
5. Lijn de sensorsleuf uit met de sleuf in de behuizing. (Fig. 44)
6. Bevestig de sensorsleuf met de klinknagels.
7. Breng de sensor aan in de sensorsleuf. Lijn de witte markering op de sensor uit met de markering op de sensorsleuf. (Fig. 45)
8. Sluit het deksel van de sensor en vergrendel het met de sensorsleutel. Zorg ervoor dat de bovenkant van de "H" van Husqvarna niet richting de veiligheidsleutel wijst. (Fig. 46)

## Het product in de werkstand zetten (LC 551iV)

1. Til de handgreep omhoog. (Fig. 47)
2. Beweeg de knoppen omhoog naar de handgreep tot de aanslag en u een klik hoort. (Fig. 32)
3. Draai de knoppen volledig vast.

## Maaihoogte afstellen

De maaihoogte is op 6 niveaus verstelbaar.

1. Duw de maaihoogteregeling in de richting van het wiel en vervolgens naar achteren om de snijhoogte te vergroten.
2. Duw de maaihoogteregeling in de richting van het wiel en vervolgens naar voren om de snijhoogte te verlagen. (Fig. 48)



**OPGELET:** Stel de maaihoogte niet te laag in. Als het oppervlak van het gazon niet waterpas is, kunnen de messen de grond raken.

## Accu



**WAARSCHUWING:** Voordat u het product gebruikt, dient u het hoofdstuk over veiligheid te lezen en hebben begrepen. Zorg er ook voor dat u de bedieningshandleiding bij de accu en de acculader hebt gelezen en begrepen.

## Accustatus

Het display geeft de resterende accucapaciteit aan en geeft aan of er problemen zijn met de accu. De accucapaciteit wordt gedurende 5 seconden nadat het product is uitgeschakeld, weergegeven na het indrukken van de accu-indicatorknop. Het waarschuwingssymbool

op de accu gaat branden als er een fout is opgetreden. Zie *Accu op pagina 353*.

(Fig. 49)

LED-lampjes	Accustatus
Alle leds branden	Volledig opgeladen (75-100%)
Led 1, led 2, led 3 branden	De accu is 50%-75% opgeladen
Led 1, led 2 branden	De accu is 25%-50% opgeladen
Led 1 brandt	De accu is 0%-25% opgeladen.
LED 1 knippert	De accu is leeg. Laad de accu op.

## De accu opladen

Laad de accu voor het eerste gebruik op. De accu is slechts 30% opgeladen wanneer deze aan de klant wordt geleverd.

**Let op:** De acculader moet worden aangesloten op de spanning en frequentie die overeenkomen met de specificaties op het productplaatje.

De accu wordt niet opgeladen als de accutemperatuur hoger is dan 50°C. De acculader verlaagt de temperatuur van de accu voordat deze begint te laden.

1. Sluit een uiteinde van de voedingskabel voor de acculader aan op de aansluiting van de acculader.
2. Sluit het andere uiteinde van de voedingskabel van de acculader aan op een gearde wandcontactdoos. De LED op de acculader licht eenmaal groen op. (Fig. 50)
3. Plaats de accu in de acculader. Het groene lampje op de lader gaat branden wanneer de accu correct is aangesloten op de acculader. (Fig. 51)
4. Wanneer alle LED's op de accu branden, is de accu volledig opgeladen. Laad de accu max. 24 uur op.
5. Om de acculader uit de wandcontactdoos los te koppelen, dient u aan de stekker, niet aan de kabel te trekken.
6. Haal de accu uit de acculader.

## Acculaadstatus

Een Li-ionaccu van Husqvarna kan worden opgeladen en gebruikt bij alle laadniveaus. De accu wordt niet beschadigd. Een volledig opgeladen accu zal geen lading verliezen, zelfs niet wanneer de accu in de lader blijft staan.

LED-display	Laadstatus
LED 1 knippert	0%-25%

LED-display	Laadstatus
Led 1 brandt, led 2 knippert	25%-50%
Led 1 en led 2 branden, led 3 knippert	50%-75%
Led 1, led 2 en led 3 branden, led 4 knippert	75%-100%
Led 1, led 2, led 3, led 4 branden	Volledig opgeladen

## De multi-accu opladen

**Let op:** Laad de accu op als u deze voor de eerste keer gebruikt. Een nieuwe accu is slechts 30% opgeladen.

1. Zorg ervoor dat de accu droog is.
2. Bevestig de multi-accu op de adapter. (Fig. 52)
3. Plaats de adapter in de acculader.
4. Zorg ervoor dat de groene oplaadled op de acculader gaat branden. Dit betekent dat de adapter en de multi-accu correct zijn aangesloten. (Fig. 53)
5. Wanneer alle leds op de accu branden en de adapter 100% aangeeft, is de accu volledig opgeladen. (Fig. 54)  
De adapter toont de laadstatus in stappen van 1%. Kleine afwijkingen zijn mogelijk aan het begin van het laden.
6. Trek aan de stekker om de acculader uit de wandcontactdoos te halen. Trek niet aan de kabel.
7. Verwijder de adapter uit de acculader.
8. Verwijder de multi-accu uit de adapter.

**Let op:** Raadpleeg de handleidingen van de multi-accu en de acculader voor meer informatie.

## Product starten

1. Open het accudeksel.
2. Plaats een opgeladen accu in accusleuf 1 onder het accudeksel. Plaats een tweede opgeladen accu in accusleuf 2 voor een langere bedrijfstijd.
3. Koppel de veiligheidssleutel los van de houder van de veiligheidssleutel.
4. Duw de veiligheidssleutel in de veiligheidsvergrendeling. (Fig. 55)
5. Blijf achter het product.
6. Druk op de AAN/UIT-knop op het bedieningspaneel. Het display gaat aan.
7. Maak de startvergrendeling los. (Fig. 22)
8. Druk de hendel van de motorrem in de richting van de handgreep. (Fig. 56)

## De aandrijving op de wielen gebruiken (LC 551IV)

- Trek de aandrijfhendel in de richting van de handgreep om de aandrijving te starten. (Fig. 57)
- Druk op + en - op het bedieningspaneel om de rijsnelheid in 4 stappen in te stellen. (Fig. 58)
- Laat de aandrijfhendel los om de aandrijving uit te schakelen, bijvoorbeeld wanneer u bij een obstakel komt.

## De functie SavE gebruiken

Het product heeft een accubesparingsfunctie (SavE) die voor een langere bedrijfstijd zorgt.

1. Druk op de knop (A) SavE om de functie te starten. Het symbool (B) SavE op het display gaat branden.
2. Druk nogmaals op de knop SavE om de functie uit te schakelen. Het symbool (B) SavE op het display gaat uit. (Fig. 59)

De functie SavE stopt automatisch als de bodemgesteldheid een hoger vermogen vereist. De functie SavE start automatisch opnieuw als de bodemgesteldheid dit toelaat.

## PowerBoost-functie

Als het product lang of vochtig gras maait, verhoogt de motor automatisch het toerental. Om de accu te sparen, schakelt de motor automatisch terug naar de standaardmodus wanneer de PowerBoost-functie niet nodig is.

## Product stoppen

Het product stopt automatisch als het 3 minuten niet wordt bediend.

1. Laat de remhendel van de motor los om de motor te stoppen. (Fig. 21)
2. Druk op de AAN/UIT-knop op het bedieningspaneel. Alle ledlampjes en symbolen op het display gaan uit. (Fig. 60)
3. Verwijder de veiligheidssleutel uit de veiligheidsvergrendeling en plaats de sleutel in de houder voor de veiligheidssleutel.

## Een goed resultaat verkrijgen

- Gebruik altijd een scherp mes. Een bot mes geeft een onregelmatig resultaat en het snijvlak van het gras wordt geel. Een scherp mes verbruikt ook minder energie dan een bot mes.
- Maai nooit meer dan 1/3e van de lengte van het gras af. Maai eerst met een hoog ingestelde maaihoogte. Controleer het resultaat en verlaag de snijhoogte tot een geschikt niveau. Als het gras echt lang is, rijd dan langzaam en maai zo nodig 2 keer.
- Maai elke keer in een andere richting, om het ontstaan van strepen in het gazon te voorkomen.

## Grasmaaien zonder grasopvangbak of mulchplug (LC 551iV)

1. Til de achterklep op en verwijder de grasopvangbak.
2. Verwijder aangekoppelde mulchpluggen en mulchmessen.

3. Sluit de achterklep voordat u het product gebruikt.

Wanneer u het product gebruikt, wordt het gemaaid gras onder de achterklep uitgeworpen.

## Onderhoud

### Inleiding



**WAARSCHUWING:** Voordat u onderhoud gaat uitvoeren, dient u het hoofdstuk over veiligheid te lezen en hebben begrepen.

Voor alle onderhouds- en reparatiewerkzaamheden aan het product is speciale training nodig. Wij garanderen de beschikbaarheid van professionele reparaties en onderhoud. Indien uw dealer geen servicewerkplaats

heeft, vraag hem dan naar de dichtstbijzijnde servicewerkplaats.

### Onderhoudsschema

De onderhoudsintervallen worden berekend op basis van het dagelijks gebruik van het product. De intervallen veranderen als het product niet dagelijks wordt gebruikt.

Voor onderhoud dat is gemarkeerd met \*, zie *Veiligheidsinstructies voor bediening op pagina 343.*

	Elk gebruik	Maandelijks	Elk seizoen
Algemene inspectie uitvoeren	X		
Reinig de transmissiekappen. Zorg ervoor dat er geen gras op de motor zit	X		
Controleer de startvergrendeling *	X		
Controleer of de veiligheidsvoorzieningen op het product in orde zijn *	X		
Controleer de grasopvangbak op slijtage of veroudering	X		
Snijuitrusting controleren	X		
Kap van het maaidek controleren *	X		
Controleer de remhendel van de motor *	X		
Zorg dat de AAN/UIT-knop naar behoren werkt en in orde is	X		
Controleer de accu op beschadigingen	X		
Controleer het laadniveau van de accu	X		
Controleer of de ontgrendelknoppen op de accu naar behoren werken en de accu in het product wordt vergrendeld	X		
Reinig de luchtinlaten. Zorg ervoor dat er geen gras of vuil op de luchtinlaten zit	X		
Controleer de acculader op beschadiging en zorg dat deze naar behoren werkt		X	
Controleer de verbindingen tussen de accu en het product. Controleer ook de verbinding tussen de accu en de acculader			X

### Algemene inspectie uitvoeren

- Controleer of de moeren en schroeven op het product goed zijn vastgedraaid.
- Zorg dat de kabels van het product zich in een positie vinden waarin ze niet beschadigd kunnen raken.

### Mes vervangen

1. Zet het mes vast met een houten blok. (Fig. 61)
2. Verwijder de mesbout, de veerringen en het mes. (Fig. 62)
3. Controleer de messteun en de mesbout op beschadigingen.

- a) Als u het mes of de messteun vervangt, vervang dan ook de mesbout, de veerring en de wrijvingsring.
- Controleer de motoras om te controleren of deze niet is verbogen.
  - Wanneer u het nieuwe mes bevestigt, zorg er dan voor dat de gebogen uiteinden naar de kap van het maaidek zijn gericht. (Fig. 63)
  - Monteer de wrijvingsring en het mes tegen de messteun. (Fig. 64)
  - Controleer of het mes is uitgelijnd met het midden van de motoras. (Fig. 65)
  - Zet het mes vast met een houten blok. (Fig. 66)
  - Bevestig de veerring en draai de bout vast met een aanhaalmoment van 65-75 Nm. (Fig. 67)
  - Draai het mes met de hand rond en controleer of het vrij draait.



**WAARSCHUWING:** Draag beschermende handschoenen. Het mes is zeer scherp en kan gemakkelijk snijwonden veroorzaken.

- Start het product om het mes te testen. Als het mes niet goed is bevestigd, zijn er trillingen in het product of is het maaieresultaat niet goed.

## Product reinigen

- Reinig de kunststof onderdelen met een schone en droge doek.
- Gebruik geen water om het product te reinigen. Water kan de accu of de motor binnendringen en kortsluiting of schade aan het product veroorzaken.
- Reinig het product niet met een hogedrukpuit.
- Laat nooit water rechtstreeks op de motor stromen.
- Gebruik een borstel om bladeren, gras en vuil te verwijderen.

## Accu en acculader reinigen



**OPGELET:** Reinig de accu of acculader nooit met water.

- Zorg ervoor dat de accu en de acculader schoon en droog zijn voordat u de accu in de acculader plaatst.
- Reinig de accupolen met perslucht of gebruik een zachte en droge doek.
- Reinig de oppervlakken van de accu en de acculader met een zachte en droge doek.

## Snijuitrusting controleren



**WAARSCHUWING:** Voorkom onbedoeld starten door de veiligheidssleutel omhoog te trekken, de accu te verwijderen en ten minste 5 seconden te wachten.



**WAARSCHUWING:** Draag beschermende handschoenen wanneer u onderhoud aan de snijuitrusting uitvoert. Het mes is zeer scherp en kan gemakkelijk snijwonden veroorzaken.

- Controleer de snijuitrusting op beschadiging of scheuren. Vervang beschadigde snijuitrusting altijd.
- Kijk naar het mes om te zien of dit is beschadigd of bot is.

**Let op:** Het mes moet na het slijpen worden gebalanceerd. Laat het slijpen, vervangen en balanceren door een servicecentrum uitvoeren. Als u een obstakel raakt waardoor het product stopt, vervang dan het beschadigde mes. Laat het servicecentrum beoordelen of het mes kan worden geslepen of moet worden vervangen.

## Probleemoplossing

### Accu

LED op de accu	Mogelijke fouten	Mogelijke procedure
De groene LED knippert	De accuspanning is laag	Laad de accu op. Zie <i>De accu opladen op pagina 350</i> .

LED op de accu	Mogelijke fouten	Mogelijke procedure
De fout-LED knippert	De accu is zwak	Laad de accu op. Zie <i>Accu op pagina 353</i> .
	De temperatuur in de werkomgeving is te hoog of te laag	Gebruik de accu bij temperaturen tussen -10 °C en 40 °C.
	Overspanning	Controleer of de netspanning overeenkomt met de spanning die is aangegeven op het typeplaatje op het product.  Haal de accu uit de acculader. Wacht 5 seconden en probeer de accu opnieuw op te laden. Indien het probleem zich blijft voordoen, neem dan contact op met een erkende servicewerkplaats.
De fout-LED brandt	Celverschil te groot (1V)	Neem contact op met een erkende servicewerkplaats.

## Acculader

LED op de acculader	Mogelijke fouten	Mogelijke procedure
De fout-LED knippert	De temperatuur in de werkomgeving is te hoog of te laag	Gebruik de acculader bij temperaturen tussen 5 °C en 40 °C.
De fout-LED brandt		Neem contact op met een erkende servicewerkplaats

## Bedieningspaneel

Foutcode (aantal keer knippen)	Mogelijke fouten	Mogelijke procedure
1	De transmissiemotor is te warm.	Laat het product afkoelen. Zorg ervoor dat er geen gras op de transmissie zit. Reinig de transmissiekap indien nodig.
5	Het motortoerental daalt te veel en de motor stopt.	Reinig het maaidek en vergroot de maaihoogte. Zie <i>Maaihogte afstellen op pagina 350</i> . Indien de fout zich blijft voordoen, neemt u contact op met uw erkende servicewerkplaats.
8	De accu is zwak.	Laad de accu op. Zie <i>De accu opladen op pagina 350</i> .
9	Accufout of geen signaal van de accu.	Plaats de accu correct in het product en controleer de accuconnector. Zie <i>Accu op pagina 350</i> als de fout-led op de accu knippert.
10	De motorregeling is te warm.	Stop de motor en wacht tot hij is afgekoeld.
Andere fouten	Als er andere fouten optreden, verwijdert u de veiligheidssleutel en de accu en neemt u contact op met een erkende servicewerkplaats.	

# Vervoer, opslag en verwerking

## Inleiding



**WAARSCHUWING:** Voorkom onbedoeld starten tijdens transport door de veiligheidssleutel omhoog te trekken, de accu te verwijderen en ten minste 5 seconden te wachten.

## Het product in de transportstand zetten (LC 551iV)

1. Draai de onderste knoppen los.
2. Beweeg de knoppen naar het onderste uiteinde van de sleuven aan de linker- en rechterzijde van het product. (Fig. 31)
3. Klap de hendel naar voren. (Fig. 68)
4. Verwijder de grasopvangbak.

## Transport

- De wettelijke vereisten voor gevaarlijke stoffen zijn van toepassing voor de Li-ion-accu's die in het product zitten.
- Voor commercieel transport moet aan speciale vereisten voor de verpakking en labels worden voldaan.
- Zorg dat u de regels voor gevaarlijke materialen in acht neemt bij het voorbereiden van het product voor transport. Er kunnen lokale voorschriften van toepassing zijn.
- Verwijder voor transport altijd de accu.
- Plaats tape op de accuconnectors en zorg ervoor dat de accu niet kan bewegen tijdens transport.
- Zet het product vast tijdens transport.

## Opslag

- Verwijder voor opslag altijd de accu.
- Om ongevallen te voorkomen, dient u ervoor te zorgen dat de accu tijdens opslag niet op het product is aangesloten.

- Bewaar de acculader in een afgesloten en droge ruimte.
- Bewaar de accu en de acculader op een droge, vocht- en vorstvrije plaats.
- Koppel de accu tijdens opslag los van de accu.
- Bewaar de accu niet op plaatsen waar statische elektriciteit aanwezig is. Bewaar de accu niet in een metalen doos.
- Bewaar de accu bij een temperatuur tussen 5 °C en 25 °C en nooit in direct zonlicht.
- Bewaar de acculader bij een temperatuur tussen 5 °C en 45 °C en nooit in direct zonlicht.
- Zorg ervoor dat de accu tussen de 30% en 50% is opgeladen alvorens langdurige opslag.
- Bewaar het product, de accu en de acculader in een afgesloten ruimte, buiten bereik van kinderen en onbevoegden.
- Reinig het product en voer een volledige onderhoudsbeurt uit voordat u het product voor langere tijd opslaat.

## Afvoeren

Symbolen op het product of op de verpakking van het product geven aan dat dit product niet beschouwd kan worden als huishoudelijk afval. Het moet worden ingeleverd bij een geschikt inzamelstation voor het terugwinnen van elektrische en elektronische apparatuur.

Als u ervoor zorgt dat dit product goed wordt verwerkt, helpt u mogelijk negatieve gevolgen voor het milieu en mensen door verkeerd afvalbeheer van dit product tegen te gaan. Neem voor meer informatie over het recyclen van dit product contact op met de gemeente, het afvalverwerkingsbedrijf of de winkel waar u het product hebt gekocht.

(Fig. 69)

## Technische gegevens

### Technische gegevens

	LB 548i	LC 551iV
<b>Maaimotor</b>		
Motortype	BLDC (borstelloos) 36 V	BLDC (borstelloos) 36 V
Motortoerental – SavE, tpm*	2600	2600
Motortoerental – nominaal, tpm*	3000	3000
Motortoerental – hoge belasting, tpm*	3300	3300

	LB 548i	LC 551iV
Uitgangsvermogen motor – max. kW	1,8	1,8
Uitgangsvermogen motor – nominaal, kW	1,5	1,5
<b>Aandrijfmotor</b>		
Uitgangsvermogen motor – nominaal, kW	NVT	0,3
Loopsnelheid, km/h	NVT	3,0-5,0
Afstelniveaus voor snelheid	NVT	4
<b>Gewicht</b>		
Gewicht zonder accu, kg	31	41
<b>Accu</b>		
Type accu	Accuserie Husqvarna	Accuserie Husqvarna
<b>Gebruiksduur accu</b>		
Gebruiksduur accu, min, (onbelast gebruik) met SavE geactiveerd, met één Husqvarna 5,2Ah-accu (Bli200).	40	30
Gebruiksduur accu, min, (onbelast gebruik) met standaardmodus geactiveerd, met één Husqvarna 5,2 Ah-accu (Bli200).	30	20
<b>Geluidsemissies</b> <sup>49</sup>		
Geluidsvermogenniveau, gemeten dB(A)	93	97
Geluidsvermogenniveau, gegarandeerd L <sub>WA</sub> dB (A)	93	97
<b>Geluidsniveau</b> <sup>50</sup>		
Geluidsdrukniveau bij het oor van de gebruiker, dB (A)	80	84
<b>Trillingsniveau</b> <sup>51</sup>		
Handgreep, m/s <sup>2</sup>	0,3	0,3
<b>Snijuitrusting</b>		
Maaihogte, mm	20-75	20-75
Maaibreedte, cm	48	51
Standaardmes	Mulchmes 597466510	Verzamelmes 597466310
Mes, accessoire	NVT	Mulchmes 597466410
Capaciteit grasopvangbak, l	NVT	65

\* Omwentelingen per minuut

Goedgekeurde accu's	Type	Accucapaciteit, Ah	Spanning, V	Gewicht, lb/kg
BLi20	Lithium-ion	4,0	36	2,6/1,2

<sup>49</sup> Geluidsemissie naar de omgeving gemeten als geluidsvermogen (L<sub>WA</sub>) volgens EG-richtlijn 2000/14/EG.

<sup>50</sup> De gerapporteerde gegevens voor het geluidsdrukniveau vertonen een typische statistische spreiding (standaardafwijking) van 1,2 dB (A).

<sup>51</sup> De gerapporteerde gegevens voor een trillingsniveau vertonen een typische statistische spreiding (standaardafwijking) van 0,2 m/s<sup>2</sup>. Trillingsnorm EN 60335-2-77:2017 hoofdstuk 20.105



Goedgekeurde accu's	Type	Accucapaciteit, Ah	Spanning, V	Gewicht, lb/kg
BLi200	Lithium-ion	5,2	36	2,8/1,3
BLi300	Lithium-ion	9,4	36	4,1/1,9
BLi550X	Lithium-ion	15,6	36	12,4/5,6
BLi950X	Lithium-ion	31,1	36	15,4/7,0

Goedgekeurde laders voor de gespecificeerde accu's, BLi	Ingangsspanning, V	Frequentie, Hz	Vermogen, W
QC80	100-240	50-60	80
QC80F	12	0	80
QC330	100-240	50-60	330
QC500	100-240	50-60	500

**KEES VAN DER SPEK**  
 TUINMACHINES ★ STOLWIJK

---

# EG verklaring van overeenstemming

---

## EG-conformiteitsverklaring

Husqvarna AB, SE-561 82 Huskvarna, Zweden, tel.: +46-36-146500, verklaart dat de **gazonmaaier Husqvarna LB 548i, LC 551iV** van het jaar 2019 en nieuwer, voldoet aan de voorschriften van de RICHTLIJN VAN DE RAAD:

- van 8 juni 2011 over de "beperking van het gebruik van bepaalde gevaarlijke stoffen" **2011/65/EU**
- van 17 mei 2006 "met betrekking tot machines" **2006/42/EG**
- van 26 februari 2014 "met betrekking tot elektromagnetische compatibiliteit" **2014/30/EU**
- van 8 mei 2000 "met betrekking tot geluidsemissies in het milieu" **2000/14/EG**

Zie Technische gegevens voor informatie over geluidsemissies.

De volgende normen zijn van toepassing:

**IEC 60335-1:2010, IEC 60335-2-77:2002, EN 60335-1:2012, EN 60335-2-77:2010 EN/IEC 62233:2008 EN 61000-6-3:2005 EN 61000-6-1:2005**

Tenzij anders vermeld, betreft het de meest recente versies van de hierboven genoemde normen.

Aangemelde instantie: **0404, RISE SMP Svensk Maskinprovning AB, Box 7035, SE-750 07 Uppsala** heeft de overeenstemming beoordeeld volgens bijlage VI van richtlijn 2000/14/EG en heeft een certificaat uitgegeven met het nummer: 01/901/324 (LB 548i), 01/901/323 (LC 551iV)

Huskvarna, 2020-01-20



Claes Losdal, Development Manager/Garden Products (gemachtigde vertegenwoordiger voor Husqvarna AB en verantwoordelijk voor technische documentatie.)

---

# INNHold

---

Innledning.....	359	Feilsøking.....	373
Sikkerhet.....	361	Transport, oppbevaring og avhending.....	374
Montering.....	368	Tekniske data.....	375
Drift.....	369	EF-samsvarserklæring.....	377
Vedlikehold.....	371		

---

## Innledning

---

### Produktbeskrivelse

Produktet er en roterende skyvgressklipper. Modellen LB 548i bruker BioClip til å klippe opp gresset til gjødsel.

Modellen LC 551iV samler opp gresset i en gressoppsamler. Ta av oppsamleren for å få bakutkast

### Produktoversikt

(Fig. 1)

1. Kontrollpanel
2. Motorbremsehåndtak
3. Startspærre
4. Gressoppsamler (LC 551iV)
5. Bakdeksel(LC 551iV)
6. Tenningsnøkkel
7. Håndtaksknott (LC 551iV)
8. Spak for justering av håndtak (LB 548i)
9. Batterideksel
10. Klippehøyderregulering (LC 551iV)
11. PÅ/AV-knapp
12. SavE-knapp
13. SavE-indikator
14. Batteriindikator
15. Hastighetsnivåindikator
16. Knapp for hastighetsreduksjon
17. Knapp for hastighetsøkning
18. LED-feillampe
19. Klippedeksel
20. Luftinntak
21. Typeskilt
22. Sikkerhetsbøyle (LC 551iV)
23. Batterilader (tilleggsutstyr)
24. Batteri (tilbehør)
25. Multibatteri (tilbehør)
26. Adapterplate (tilleggsutstyr)
27. Multibatteriadapter (tilleggsutstyr)
28. Bruksanvisning

for gress. Fest et bioklippsett (tilbehør) for å klippe gresset til gjødsel.

### Bruksområder

Bruk produktet til å klippe gress i private hager. Ikke bruk produktet til andre oppgaver.

### Symboler på produktet

(Fig. 2)

**ADVARSEL:** Dette produktet kan være farlig og føre til alvorlig personskade eller død for brukeren eller andre. Vær forsiktig, og bruk produktet riktig.

(Fig. 3)

Les bruksanvisningen nøye, og forsikre deg om at du forstår instruksjonene før du bruker produktet.

(Fig. 4)

Hold personer og dyr på trygg avstand fra arbeidsområdet.

(Fig. 5)

Se opp for gjenstander som slynges ut og rikosjetterer.

- (Fig. 6) **Advarsel:** Hold hender og føtter borte fra den roterende kniven.
- (Fig. 7) **Advarsel:** Hold hender og føtter borte fra bevegelige deler.
- (Fig. 8) Fjern tenningsnøkkelen før du utfører reparasjoner eller vedlikehold.
- (Fig. 9) **Miljømerke.** Produktet og produktemballasjen er ikke restavfall. Lever det til et godkjent gjenvinningsanlegg for elektrisk og elektronisk utstyr.
- (Fig. 10) Dette produktet samsvarer med gjeldende EF-direktiver.
- (Fig. 11) Dette produktet samsvarer med gjeldende Eurasian Customs Union-direktiver.
- (Fig. 12) Dette produktet samsvarer med gjeldende UkrSEPRO-direktiver.
- (Fig. 13) Dette produktet samsvarer med gjeldende RCM-direktiver. Gjelder bare i AU/NZ.
- (Fig. 14) Støyutslipp til omgivelsene er i samsvar med relevante EF-direktiver. Støyutslippene fra

produktet er angitt i *Tekniske data på side 375* og på etiketten.

**IPX4** Beskyttet mot sprutende vann.

**IPX4**

- (Fig. 19) **Startprosedyre:** Trykk på AV/PÅ-knappen, løsne startsperran, skyv motorbremsehåndtaket ned.

- (Fig. 15) Slipp motorbremsehåndtaket for å stoppe.

- (Fig. 16) Langsomt

- (Fig. 17) Raskt

- (Fig. 18) Kode som kan skannes

---

**Merk:** Øvrige symboler/klistremerker angitt på produktet gjelder sertifiseringskrav for visse markeder.

---

## Etikett på produktet

(Fig. 20)

Hold hender og føtter borte fra de roterende knivene.

## Produktansvar

Som nevnt i lovverket om produktansvar er vi ikke ansvarlig for skader som produktet vårt forårsaker, i følgende tilfeller:

- Produktet er reparert på feil måte.
- Produktet er reparert med deler som ikke kommer fra produsenten eller som ikke er godkjent av produsenten.
- Produktet har et tilbehør som ikke kommer fra produsenten eller som ikke er godkjent av produsenten.
- Produktet er ikke reparert på et godkjent servicesenter eller av en godkjent aktør.

### Sikkerhetsdefinisjoner

Advarsler, oppfordringer og merknader brukes for å understreke spesielt viktige deler av bruksanvisningen.



**ADVARSEL:** Brukes hvis det er fare for personskade eller død for føreren eller andre personer om instruksjonene i håndboken ikke følges.

---



**OBS:** Brukes hvis det er fare for skade på produktet, annet materiell eller nærliggende områder om instruksjonene i håndboken ikke følges.

---

**Merk:** Brukes for å gi mer nødvendig informasjon for en spesifikk situasjon.

---

### Generelle sikkerhetsinstruksjoner



**ADVARSEL:** Les de følgende advarselinstruksjonene før du bruker produktet.

---

- Dette produktet er farlig hvis det brukes feil, eller hvis du ikke er forsiktig. Personskade eller død kan forekomme hvis du ikke følger sikkerhetsinstruksjonene.
- Dette produktet danner et elektromagnetisk felt når det er i bruk. Dette feltet kan under visse forhold forstyrre aktive eller passive medisinske implantater. For å redusere faren for hendelser som kan føre til alvorlig eller livstruende skade, anbefaler vi at personer med medisinske implantater rådfører seg med lege og produsenten av det medisinske implantatet før dette produktet tas i bruk.
- Vær alltid forsiktig og bruk sunn fornuft. Hvis du ikke er sikker på hvordan du skal bruke produktet i en bestemt situasjon, må du stoppe og snakke med Husqvarna-forhandleren før du fortsetter.
- Husk at brukeren er ansvarlig for ulykker som involverer andre personer eller deres eiendom.
- Hold produktet rent. Sørg for at du kan lese skilt og merker.

- La aldri barn eller personer som ikke har satt seg inn i bruksanvisningen, bruke apparatet. Operatørens lavalder kan være fastsatt i lokale forskrifter
- Overvåk alltid personer med redusert fysisk eller mental kapasitet når de bruker produktet. En ansvarlig voksen må alltid være til stede.
- Ikke bruk produktet dersom du er trett eller syk eller under påvirkning av alkohol, andre rusmidler eller medisiner. Disse tingene har en negativ effekt på synet, vurderingsevnen og dømmekraften din.
- Ikke bruk produktet hvis det er defekt.
- Ikke modifier dette produktet, og ikke bruk det dersom det er mulig at andre har modifisert det.
- Gjenstander som treffer skjærestyret, kan slynges ut og forårsake skade på personer og gjenstander. Hold tilskuere og dyr på trygg avstand fra produktet.
- Bruk aldri produktet i dårlig vær, for eksempel i tåke, regn, sterk vind, sterk kulde, eller ved fare for lyn. Det er slitsomt å bruke produktet i dårlig vær eller på fuktige eller våte steder. Dårlig vær kan forårsake farlige forhold, for eksempel glatt underlag.
- Hold utkikk etter personer, objekter og situasjoner som kan forhindre sikker bruk av produktet.
- Se etter hindringer, for eksempel røtter, steiner, kvister, fordypninger og grøfter. Høyt gress kan skjule hindringer.
- Det kan være farlig å klippe gress i skråninger. Ikke klipp hvis bakken er for bratt. Ikke bruk produktet i skråninger som heller mer enn 15 grader
- Vær ekstremt forsiktig når du svinger i bakker/hellinger. Bruk produktet på tvers av skråninger. Ikke gå opp og ned.
- Vær forsiktig når du nærmer deg skjulte hjørner eller

## Sikkerhet i arbeidsområdet



**ADVARSEL:** Les de følgende advarselinstruksjonene før du bruker produktet.

- Fjern gjenstander som greiner, kvister og steiner fra området før du bruker produktet.

gjenstander som blokkerer sikten.

## Arbeidssikkerhet

---



**ADVARSEL:** Les de følgende advarslene før du bruker produktet.

---

- Bruk dette produktet bare til å klippe gressplener. Det er ikke tillatt å bruke det til andre formål.
- Bruk personlig verneutstyr. Se *Personlig verneutstyr på side 364*.
- Sørg for at du vet hvordan du stopper motoren raskt i en nødsituasjon.
- Produktet må ikke brukes i regn eller fuktige omgivelser. Fare for elektrisk støt øker hvis det kommer vann inn i produktet.
- Ikke bruk produktet med mindre kniven og alle deksler er riktig montert. En kniv som er feilmontert, kan løsne og forårsake personskade.
- Pass på at kniven ikke kommer borti gjenstander som steiner og røtter. Dette kan skade kniven og bøye motorakselen. En bøyd aksel kan forårsake mye vibrasjon og utgjør en svært høy fare for at kniven blir løs.
- Hvis kniven treffer en gjenstand eller det oppstår kraftige vibrasjoner, må produktet stanses øyeblikkelig. Stans motoren, trekk opp tenningsnøkkelen, og fjern batteriet. Kontroller produktet for skader. Reparer skader, eller la et autorisert serviceverksted utføre reparasjon.
- Du må aldri feste motorbrems håndtaket permanent til håndtaket når motoren er i gang.
- Plasser produktet på et stabilt, flatt underlag, og start det. Pass på at kniven ikke berører bakken eller andre gjenstander.
- Hold deg alltid bak produktet når du bruker det.
- La alle hjulene være på bakken, og hold begge hender på håndtaket når du bruker produktet. Hold hender og føtter borte fra de roterende knivene.
- Unngå å vippe produktet opp mens motoren startes.
- Vær forsiktig når du trekker produktet bakover.
- Du må aldri løfte produktet når motoren er i gang. Hvis du har behov for å løfte produktet, må du først stoppe motoren,

- trekke opp tenningsnøkkelen og fjerne batteriet.
- Ikke gå bakover når du bruker produktet.
  - Stopp motoren når du går over områder uten gress, for eksempel gangveier av grus, stein og asfalt.
  - Ikke løp med produktet når motoren er på. Du må alltid gå mens du bruker produktet.
  - Stopp motoren før du endrer klippehøyde. Utfør aldri justeringer mens motoren er i gang.
  - La aldri produktet være ute av syne mens motoren er i gang. Stopp motoren, og forsikre deg om at skjæreutstyret ikke roterer.

### Sikkerhetsinstruksjoner for drift

#### Personlig verneutstyr



**ADVARSEL:** Les de følgende advarselinstruksjonene før du bruker produktet.

- Verneutstyr kan aldri fullstendig forhindre skade, men det reduserer skadeomfanget hvis ulykken inntreffer. Spør forhandleren din om hjelp til å velge riktig utstyr.

- Bruk kraftige, sklisikre støvler eller sko. Ikke bruk åpne sko eller gå barbeint.
- Bruk tykke langbukser.
- Bruk vernehansker når det er nødvendig, for eksempel når du fester, undersøker eller rengjør skjæreutstyret.

#### Sikkerhetsutstyr på produktet



**ADVARSEL:** Les de følgende advarslene før du bruker produktet.

- Ikke bruk produktet dersom sikkerhetsutstyret er defekt.
- Utfør regelmessig kontroll av sikkerhetsutstyret. Ta kontakt med ditt Husqvarna-serviceverksted, dersom sikkerhetsutstyret er defekt.

#### Slik kontrollerer du klippedekselet

Klippedekselet gir mindre vibrasjoner og minsker risikoen for skader forårsaket av kniven.

- Undersøk klippedekselet for å sikre at det ikke er noen skader, for eksempel sprekker.

#### Tenningsnøkkel

Tenningsnøkkelen er under batteridekselet.



Tenningsnøkkelen kobler til batteriet som forsyner motoren med strøm.

### **Slik kontrollerer du tenningsnøkkelen**

Tenningsnøkkelen kobler til batteriet som forsyner motoren med strøm.

- Start og stopp motoren. Hvis tenningsnøkkelen fungerer riktig, kan motoren bare starte når nøkkelen er i sikkerhetslåsen.

### **Motorbremsehåndtak**

Motorbremshåndtaket stopper motoren. Når du slipper motorbremshåndtaket, stopper motoren.

Hvis du vil kontrollere motorbremsen, starter du motoren og slipper deretter motorbremshåndtaket. Hvis motoren ikke stopper innen tre sekunder, må du la et godkjent Husqvarna-serviceverksted justere motorbremsen.

(Fig. 21)

### **Slik undersøker du startsperran**

Utfør en kontroll av startsperran for å sikre at den hindrer driften av motoren.

1. Trykk motorbremshåndtaket i retning av styret. Startsperran stopper bevegelsen.
2. Skyv startsperran ut. (Fig. 22)
3. Løsne startsperran, og kontroller at den går tilbake til sin opprinnelige posisjon.

### **Batterisikkerhet**



**ADVARSEL:** Les de følgende advarslene før du bruker produktet.

---

- Bruk bare Husqvarna oppladbare batterier som strømforsyning for relaterte Husqvarna-produkter. For å unngå personskader må du ikke bruke batteriet som strømforsyning for andre enheter.
- Ikke bruk ikke-oppladbare batterier.
- Fare for elektrisk støt. Ikke la batteripolene komme i kontakt med nøkler, mynter, skruer eller andre metallgjenstander. Dette kan føre til kortslutning av batteriet.
- Ikke sett gjenstander inn i luftåpningene til batteriet.
- Hold batteriet unna sollys, varme og åpen ild. Batteriet

kan eksplodere og forårsake forbrenninger og/eller kjemiske forbrenninger.

- Hold batteriet unna regn og fuktighet.
- Hold batteriet unna mikrobølger og høyt trykk.
- Ikke prøv å demontere eller ødelegge batteriet.
- Hvis batteriet lekker, må væsken ikke komme i kontakt med hud eller øyne. Hvis du har berørt væsken, må du rengjøre området med store mengder vann og oppsøke legehjelp.
- Bruk batteriet i temperaturer mellom  $-10$  og  $40$  °C.
- Ikke rengjør batteriet eller batteriladeren med vann. Se *Slik rengjør du batteriet og batteriladeren på side 372.*
- Ikke bruk et defekt eller skadet batteri.
- Oppbevar batteriene unna metallgjenstander, for eksempel spikre, mynter og smykker.

## Sikker bruk av batteriladeren



**ADVARSEL:** Les de følgende advarslene før du bruker produktet.

---

- Bruk QC-batteriladere bare til å lade Husqvarna-erstatningsbatteriene.
- Fare for elektrisk støt eller kortslutning. Ikke sett gjenstander inn i luftåpningene til laderen. Ikke prøv å demontere batteriladeren. Ikke la ladekontaktene berøre metallgjenstander. Bruk en godkjent stikkontakt.
- Dette produktet danner et elektromagnetisk felt når det er i bruk. Dette feltet kan under visse forhold forstyrre aktive eller passive medisinske implantater. For å redusere faren for forhold som kan føre til alvorlig eller livstruende skade, anbefaler vi at personer med medisinske implantater rådfører seg med sin lege og produsenten av det medisinske implantatet før dette produktet tas i bruk.
- Kontroller regelmessig at strømledningen til batteriladeren ikke er skadet, og at det ikke er sprekker i den.
- Ikke løft batteriladeren etter strømledningen. For å koble laderen fra stikkontakten drar du i støpselet. Ikke dra i ledningen.

- Hold strømledningen og skjøteledninger borte fra vann, olje og skarpe kanter. Pass på at kablen ikke kommer i klem i dører, gjerder eller lignende. Det kan føre til at laderen blir strømførende.
- Ikke rengjør batteriladeren med vann.
- Batteriladeren kan brukes av barn over 8 år og personer med nedsatte fysiske og mentale evner eller personer uten erfaring eller kunnskap hvis de får tilsyn eller instruksjoner om hvordan de bruker batteriladeren på en sikker måte, og forstår farene ved bruken. Barn skal ikke leke med batteriladeren. Rengjøring og vedlikehold skal ikke utføres av barn uten tilsyn.
- Ikke lad engangsbatterier i batteriladeren.
- Ikke bruk batteriladeren i nærheten av brennbare materialer eller materialer som kan forårsake korrosjon. Batteriladeren må ikke tildekkes. Trekk ut støpselet til batteriladeren hvis det oppstår røyk eller brann.
- Ikke bruk en defekt eller skadet batterilader.

- Bare lad batteriet innendørs på et sted som har god luftsirkulasjon og er beskyttet mot direkte sollys. Ikke lad batteriet i fuktige omgivelser.

## Sikkerhetsinstruksjoner for vedlikehold



**ADVARSEL:** Les de følgende advarselinstruksjonene før du bruker produktet.

---

- Ta ut tenningsnøkkelen før du utfører vedlikehold på produktet.
- Utfør vedlikeholdsarbeidet på riktig måte for å øke levetiden til produktet og redusere risikoen for ulykker. La et godkjent serviceverksted utføre det fagmessige vedlikeholdet. Snakk med nærmeste serviceverksted for mer informasjon.
- Utfør bare vedlikeholdsarbeid som er beskrevet i denne bruksanvisningen.
- Ta på kraftige hansker når du bruker skjæreutstyret. Kniven er svært skarp, og det er lett å kutte seg.
- Hold skjærekantene skarpe og rene for best og sikrest ytelse.
- La serviceverkstedet undersøke produktet

regelmessig og utføre de nødvendige justeringene og reparasjonene.

- Skift ut alle skadde, slitte eller ødelagte deler.
- Følg instruksjonene for utskifting av tilbehør. Bruk bare tilbehør fra produsenten.
- Når de ikke er i bruk, oppbevarer du produktet,

batteriet og batteriladeren fra hverandre i et tørt, innendørs og avlåst område. Kontroller at barn og personer som ikke er autoriserte, ikke kan få tilgang til produktet, batteriet eller batteriladeren.

---

## Montering

---

### Innledning



**ADVARSEL:** Les og forstå kapittelet om sikkerhet før du monterer produktet.

### Slik monterer du og tar av multibatteriet (tilbehør)

1. Fjern de fire gummidekslene og de fire skruene fra motordekselet. (Fig. 23)
2. Sett adapterplaten på motordekselet.
3. Fest adapterplaten med de fire medfølgende skruene med et dreiemoment på 5–6 Nm. (Fig. 24)
4. Åpne batteridekslet.
5. Ta ut batteriet i spor 1. (Fig. 25)
6. Fjern forseglingsproppen. (Fig. 26)
7. Skyv batteriadapteren inn i batterirommet til du hører et klikk. (Fig. 27)
8. Skyv tråden fra batteriadapteren gjennom hullet til forseglingsproppen. Fest tråden med klipsen. (Fig. 28)
9. Monter multibatteriet på batteriadapteren.
10. Koble multibatteriet til batteriadapteren. (Fig. 29)
11. Fest snoren fra batteriadapteren til håndtaket med de tre stoffstroppene. (Fig. 30)
12. Fjern multibatteriet i motsatt rekkefølge.



**ADVARSEL:** Ikke fest snoren for løst til håndtaket. Snoren kan løsne og forårsake skade.

### Slik monterer du håndtaket (LC 551iV)

1. Løsne de nedre knottene.

2. Flytt knottene til den nedre enden av sporene på venstre og høyre side av produktet. (Fig. 31)
3. Angi høyden på håndtaket til én av de to tilgjengelige posisjonene.
4. Flytt knottene oppover i retning av håndtaket til de stopper og du hører et klikk. (Fig. 32)
5. Trekk til knottene helt.

### Slik monterer du håndtaket (LB 548i)

1. Fjern håndtaksmutteren og flensskiven fra platen på det øvre håndtaket.
2. Sett det øvre håndtaket på plass over det nedre håndtaket.



**OBS:** Kontroller at ledningene ikke kommer i klem eller blir skadet.

3. Fest flensskiven og håndtakets justeringsspak. (Fig. 33)
4. Drei håndtaket til siden for å få en god bruksstilling når du bruker produktet i nærheten av en vegg. (Fig. 34)

### Slik monterer du oppsamleren (LC 551iV)

1. Fest oppsamlerammen til gressposen med den faste delen av posen på undersiden. Hold håndtaket på rammen på toppen av gressposen. (Fig. 35)
2. Fest nedre del av oppsamlerammen i sporet på bunnen av oppsamleren.
3. Fest gressposen til oppsamlerammen med klemmene. (Fig. 36)
4. Løft det bakre dekselet.
5. Fest oppsamleren til den øverste kanten av chassiset.

6. Sett den nedre delen av oppsamleren inn i utkasterkanalen. (Fig. 37)

## Slik monterer du finfordelingspluggen (LC 551iV tilbehør)

1. Løft opp det bakre dekselet, og ta av oppsamleren.

2. Sett finfordelingspluggen inn i utkasterkanalen. (Fig. 38)
3. Skift ut kniven med finfordelingskniven som følger med finfordelingssettet. Se *Slik bytter du kniven på side 372*.

---

## Drift

---

### Innledning



**ADVARSEL:** Før du bruker produktet, må du lese og forstå kapittelet om sikkerhet.

### Husqvarna Connect

Husqvarna Connect er en kostnadsfri app for mobilenheten din. Husqvarna Connect-appen gir utvidede funksjoner for Husqvarna-produktet ditt:

- utvidet produktinformasjon
- informasjon om og hjelp med produktdeleer og service

### Slik begynner du å bruke Husqvarna Connect

1. Last ned Husqvarna Connect-appen på mobilenheten din.
2. Utfør registrering i Husqvarna Connect-appen.
3. Følg instruksjonene i Husqvarna Connect-appen for å koble til og registrere produktet.

### Husqvarna Fleet Services™

Husqvarna Fleet Services™ er en skyløsning som gir den kommersielle flåtelederen en oversikt over alle produktene. Husqvarna Fleet Services™ er inkludert for LC 551iV. Hvis du ønsker mer informasjon om Husqvarna Fleet Services™, kan du se [www.husqvarna.com](http://www.husqvarna.com).

### Slik forbereder du sensoren (tilbehør)

1. Bruk sensornøkkelen til å åpne lokket på sensoren. (Fig. 39)
2. Fjern sensoren.
3. Koble batteriet til sensoren. Lysdioden på sensoren lyser opp. (Fig. 40)
4. Last ned Husqvarna Fleet Services™ -app. n.
5. Logg på Husqvarna Fleet Services™ -app. n.
6. Utfør en paringsoperasjon. Se *Slik utfører du en paringsoperasjon mellom apen og produktet på side 369*

### Slik utfører du en paringsoperasjon mellom apen og produktet

1. Logg på Husqvarna Fleet Services™ -app. n.
2. Velg produktet i app. n.

3. Skann koden bak sensoren med mobilenheten din for å installere sensoren i app. n.

**Merk:** Det er bare nødvendig å utføre en paringsoperasjon mellom app. n og produktet én gang.

### Slik monterer du sensoren

1. Kontroller at sensoren er koblet til Husqvarna Fleet Services™ -app. n. Se *Slik utfører du en paringsoperasjon mellom apen og produktet på side 369*.
2. Bor to hull ved merkene i sporet i beholderen. (Fig. 41)

**Merk:** Påse at disse hullene har samme dimensjon som naglene som fulgte med sensoren.

3. Bruk en tang til å fjerne de ytre hullene på sensorsporet. (Fig. 42)
4. Bor to hull ved merkene i sensorsporet. (Fig. 43)
5. Rett inn sensorsporet med sporet i beholderen. (Fig. 44)
6. Fest sensorsporet med naglene.
7. Monter sensoren i sensorsporet. Rett inn det hvite merket på sensoren med merket på sensorsporet. (Fig. 45)
8. Lukk lokket over sensoren og lås det med sensornøkkelen. Påse at toppen av Husqvarna-«H»-en peker vekk fra tenningsnøkkelen. (Fig. 46)

### Slik setter du produktet i arbeidsstilling (LC 551iV)

1. Løft styret til oppfelt posisjon. (Fig. 47)
2. Flytt knottene oppover i retning av styret til de stopper og du hører et klikk. (Fig. 32)
3. Trekk til knottene helt.

### Slik regulerer du klippehøyden

Klippehøyden kan justeres i seks trinn.

1. Skyv klippehøyderegulatoren i retning av hjulet og deretter bakover for å heve klippehøyden.
2. Skyv klippehøyderegulatoren i retning av hjulet og deretter forover for å senke klippehøyden. (Fig. 48)



**OBS:** Ikke sett klippehøyden for lavt. Knivene kan treffe bakken hvis overflaten av plenen ikke er vannrett.

## Batteri



**ADVARSEL:** Før du bruker batteriet, må du lese og forstå kapittelet om sikkerhet. Du må også lese og forstå bruksanvisningen for batteriet og batteriladeren.

## Batteristatus

Displayet viser gjenværende batterikapasitet og eventuelle problemer med batteriet. Batterikapasiteten vises i 5 sekunder etter at produktet er slått av, eller når batteriindikatorknappen trykkes inn. Advarselssymbolet på batteriet lyser hvis en feil oppstår. Se *Batteri på side 373*.

(Fig. 49)

LED-lamper	Batteristatus
Alle LED-indikatorer lyser	Fullt ladet (75–100 %)
LED 1, LED 2, LED 3 lyser.	Batteriet er 50–75 % ladet.
LED 1, LED 2 lyser.	Batteriet er 25–50 % ladet.
LED 1 lyser.	Batteriet er 0–25 % ladet.
LED 1 blinker	Batteriet er utladet. Lad batteriet.

## Slik lader du batteriet

Lad batteriet før første gangs bruk. Batteriet er bare 30 % oppladet når det leveres til kunden.

**Merk:** Batteriladeren må kobles til den spenningen og frekvensen som er angitt på typeskiltet.

Batteriet lades ikke hvis batteritemperaturen er over 50 °C. Batteriladeren reduserer batteriets temperatur før den begynner å lade.

1. Koble den ene enden av strømledningen for batteriladeren inn i kontakten på batteriladeren.
2. Koble den andre enden av strømledningen for batteriladeren inn i en jordet stikkontakt. LED-indikatoren på batteriladeren blinker grønt én gang. (Fig. 50)
3. Sett batteriet i batteriladeren. Den grønne lampen på laderen tennes når batteriet er riktig koblet til laderen. (Fig. 51)
4. Når alle LED-indikatorene på batteriet lyser, er batteriet fulladet. Lad batteriet i maks. 24 timer.
5. For å koble laderen fra stikkontakten må du dra i selve støpselet, ikke i ledningen.

6. Fjern batteriet fra batteriladeren.

## Batteriladestatus

Et Husqvarna Li-ionbatteri kan lades eller brukes ved et hvilket som helst ladenivå. Batteriet blir ikke skadet. Et fulladet batteris ladenivå reduseres ikke når batteriet blir stående i laderen.

LED-display	Ladestatus
LED 1 blinker	0–25 %
LED 1 lyser, LED 2 blinker	25–50 %
LED 1, LED 2 lyser, LED 3 blinker	50–75 %
LED 1, LED 2, LED 3 lyser, LED 4 blinker	75–100 %
Lampe 1, lampe 2, lampe 3 og lampe 4 tennes	Fulladet

## Slik lader du multibatteriet

**Merk:** Hvis det er første gang du bruker batteriet, må du lade det. Et nytt batteri er bare 30 % ladet.

1. Kontroller at batteriet er tørt.
  2. Koble multibatteriet til adapteren. (Fig. 52)
  3. Sett adapteren i batteriladeren.
  4. Kontroller at den grønne ladelampen på laderen tennes. Det betyr at adapteren og multibatteriet er korrekt sammenkoblet. (Fig. 53)
  5. Når alle LED-indikatorene på batteriet lyser og adapteren viser 100 %, er batteriet fulladet. (Fig. 54)
- Adapteren viser ladestatus i trinn på 1 %. Det kan forekomme små avvik ved begynnelsen av ladeprosessen.
6. For å koble laderen fra stikkontakten drar du i støpselet. Ikke dra i ledningen.
  7. Fjern adapteren fra batteriladeren.
  8. Fjern multibatteriet fra adapteren.

**Merk:** Se bruksanvisningene for multibatteriet og batteriladeren for mer informasjon.

## Slik starter du produktet

1. Løft batterilokket.
2. Sett inn et ladet batteri i batterispor nr. 1 under batteridekselet. For lengre driftstid kan du sett et annet oppladet batteri i batterispor nr. 2.
3. Koble tenningsnøkkelen fra tenningsnøkkelholderen.
4. Skyv tenningsnøkkelen inn i sikkerhetslåsen. (Fig. 55)
5. Stå bak produktet.

- Trykk på PÅ/AV-knappen på kontrollpanelet. Displayet slås på.
- Løsne startsperreren. (Fig. 22)
- Trykk motorbrems håndtaket i retning av styret. (Fig. 56)

## Slik brukes hjuldriften (LC 551iV)

- Trekk sikkerhetsbøylen i retning av håndtaket for å begynner å kjøre. (Fig. 57)
- Trykk på + og - på kontrollpanelet for å angi hastigheten i fire trinn. (Fig. 58)
- Løsne sikkerhetsbøylen for å frakoble driften, for eksempel når du går nær en hindring.

## Slik bruker du SavE-funksjonen

Produktet har en batterisparefunksjon (SavE) som gir lengre driftstid.

- Trykk på SavE-knappen (A) for å starte funksjonen. SavE-symbolet (B) på displayet tennes.
- Trykk på SavE-knappen igjen for å stoppe funksjonen. SavE-symbolet (B) på displayet slukkes. (Fig. 59)

SavE-funksjonen stopper automatisk hvis bakkeforholdene gjør det nødvendig med høyere effekt. SavE-funksjonen starter automatisk igjen når bakkeforholdene tillater det.

## PowerBoost-funksjon

Når produktet klipper langt eller vått gress, øker motoren automatisk turtallet. For å spare batteritid går motoren automatisk tilbake til standard modus når det ikke er behov for PowerBoost-funksjonen.

## Slik stopper du produktet

Produktet stopper automatisk hvis du ikke bruker det på tre minutter.

- Slipp motorbrems håndtaket for å stoppe motoren. (Fig. 21)
- Trykk på PÅ/AV-knappen på kontrollpanelet. Alle LED-lamper og -symboler på displayet slukkes. (Fig. 60)
- Fjern tenningsnøkkelen fra sikkerhetslåsen og sett den i tenningsnøkkelholderen.

## Slik får du et godt resultat

- Bruk alltid en godt slipt kniv. En sløv kniv gir ujevnt resultat, og gressets klippeoverflate blir gul. En skarp kniv bruker også mindre energi enn en sløv kniv.
- Ikke klipp mer enn 1/3 av lengden på gresset. Klipp først med klippehøyden stilt høyt. Undersøk resultatet og senk klippehøyden til det aktuelle nivået. Hvis gresset er veldig langt, kjører du sakte og klipper to ganger om nødvendig.
- Klipp i forskjellige retninger hver gang, for å unngå striper i plenen.

## Slik klipper du gresset uten oppsamleren eller finfordelingspluggen festet (LC 551iV)

- Løft opp det bakre dekselet, og ta av gressoppsamleren.
- Hvis en finfordelingsplugg og en finfordelingskniv er festet, tar du dem av.
- Lukk bakdekselet før du bruker produktet.

Når du bruker produktet, tømmes det klypte gresset under bakdekselet.

# Vedlikehold

## Innledning



**ADVARSEL:** Før du utfører vedlikeholdsarbeid, må du lese og forstå kapittelet om sikkerhet.

For alt vedlikehold og reparasjonsarbeid på produktet er det nødvendig med spesiell opplæring. Vi garanterer fagmessig reparasjon og service. Hvis forhandleren ikke er et serviceverksted, må du snakke med dem for å få informasjon om nærmeste serviceverksted.

## Vedlikeholdsskjema

Vedlikeholdsintervallene er beregnet med utgangspunkt i daglig bruk av produktet. Intervallene kan endres hvis produktet ikke brukes daglig.

For vedlikehold identifisert med \* kan du se *Sikkerhetsinstruksjoner for drift på side 364*.

	Hver bruk	Månedlig	Hver sesong
Utfør en generell inspeksjon.	X		

	Hver bruk	Månedlig	Hver sesong
Rengjør transmisjonsdekslene. Pass på at motoren ikke har gress på seg	X		
Kontroller startsperreren*.	X		
Pass på at sikkerhetsutstyret på produktet ikke er defekt*.	X		
Kontroller gressutkasteren med tanke på slitasje eller skader	X		
Kontroller skjæreutstyret.	X		
Kontroller klippedekselet*.	X		
Kontroller motorbrems håndtaket*.	X		
Kontroller at PÅ/AV-knappen fungerer på riktig måte og ikke er defekt.	X		
Kontroller batteriet for skader.	X		
Kontroller batteriets lade nivå.	X		
Kontroller at utløserknappene på batteriet fungerer riktig og at batteriet låses fast i produktet.	X		
Rengjør luftinntakene. Påse at luftinntakene ikke har gress eller smuss på seg	X		
Undersøk batteriladeren for skader, og sørg for at den fungerer på riktig måte		X	
Undersøk forbindelsene mellom batteriet og produktet. Undersøk også forbindelsen mellom batteriet og batteriladeren			X

## Slik utfører du en generell inspeksjon

- Kontroller at mutrene og skruene på produktet er trukket til.
- Sørg for at kablene på produktet ikke er i en posisjon der de kan bli skadet.

## Slik bytter du kniven

1. Lås kniven med en trekloss. (Fig. 61)
2. Fjern knivbolten, sprengskiven og kniven. (Fig. 62)
3. Kontroller knivstøtten og knivbolten for skader.
  - a) Hvis du skifter kniv eller knivstøtte, må du også skifte ut knivbolten, sprengskiven og friksjonsskiven.
4. Undersøk motorakselen for å forsikre deg om at den ikke er bøyd.
5. Når du fester den nye kniven, skal de bøyde endene av kniven peke i retning av klippedekselet. (Fig. 63)
6. Plasser friksjonsskiven og kniven mot knivstøtten. (Fig. 64)
7. Kontroller at kniven er innrettet med midten av motorakselen. (Fig. 65)
8. Lås kniven med en trekloss. (Fig. 66)
9. Fest sprengskiven, og trekk til bolten med et moment på 65-75 Nm. (Fig. 67)
10. Trekk kniven rundt for hånd for å kontrollere at den roterer fritt.



**ADVARSEL:** Bruk vernehansker. Kniven er svært skarp, og det er lett å kutte seg.

11. Start produktet for å teste kniven. Hvis kniven ikke er riktig festet, vil produktet vibrere, eller klipperesultatet vil ikke bli bra nok.

## Slik rengjør du produktet

- Rengjør plastdeler med en tørr, ren klut.
- Ikke bruk vann til å rengjøre produktet. Vann kan komme inn i batteriet eller motoren og forårsake kortslutning eller skade på produktet.
- Produktet må ikke rengjøres med høytrykksspyler.
- Ikke spyl vann direkte på motoren.
- Bruk en børste for å fjerne løv, gress og smuss.

## Slik rengjør du batteriet og batteriladeren



**OBS:** Ikke rengjør batteriet eller batteriladeren med vann.

- Kontroller at batteriet og batteriladeren er rene og tørre før du setter batteriet i batteriladeren.
- Rengjør batteriklemmene med trykkluft, eller bruk en myk og tørr klut.



- Rengjør overflatene på batteriet og batteriladeren med en myk og tørr klut.

## Slik kontrollerer du skjæreutstyret



**ADVARSEL:** Når du skal hindre utilsiktet start, vrir du tenningsnøkkelen til 0, tar ut batteriet og venter i minst fem sekunder.



**ADVARSEL:** Bruk vernehansker når du utfører vedlikehold på skjæreutstyret. Kniven er svært skarp, og det er lett å kutte seg.

1. Kontroller skjæreutstyret med henblikk på skader og sprekkdannelse. Bytt alltid ut skadet skjæreutstyr.
2. Sjekk om kniven er skadet eller sløv.

**Merk:** Kniven må balanseres etter at den er slipt. La et servicesenter slipe, skifte og balansere kniven. Hvis du treffer en hindring som fører til at produktet stopper, må du skifte ut den skadde kniven. La serviceverkstedet vurdere om kniven kan slipes eller om den må skiftes ut.

## Feilsøking

### Batteri

LED-indikator på batteriet	Mulige feil	Mulig fremgangsmåte
Den grønne LED-indikatoren blinker.	Batterispenningen er lav.	Lad batteriet. Se <i>Slik lader du batteriet på side 370</i> .
LED-feilindikatoren blinker.	Batteriet er svakt.	Lad batteriet. Se <i>Batteri på side 373</i> .
	Temperaturen i arbeidsmiljøet er for høy eller for lav.	Bruk batteriet i temperaturer mellom -10 og 40 °C.
	Overspenning	Kontroller at strømtilførselen er den samme som er angitt på typeskiltet på produktet.  Fjern batteriet fra batteriladeren. Vent i fem sekunder, og prøv å lade batteriet igjen. Hvis problemet vedvarer, kontakter du et autorisert serviceverksted.
LED-feilindikatoren er på.	For stor forskjell mellom cellene (1 V).	Ta kontakt med et godkjent serviceverksted.

### Batterilader

LED-indikator på batteriladeren.	Mulige feil	Mulig fremgangsmåte
LED-feilindikatoren blinker.	Temperaturen i arbeidsmiljøet er for høy eller for lav.	Bruk batteriladeren i temperaturer mellom 5 og 40 °C.
LED-feilindikatoren er på.		Ta kontakt med et godkjent serviceverksted.

### Kontrollpanel

Feilkode (antall lys-blink)	Mulige feil	Mulig fremgangsmåte
1	Transmisjonsmotoren er for varm.	La produktet kjøle seg ned. Påse at transmisjonen ikke har gress på seg. Rengjør transmisjonsdekselet om nødvendig.

Feilkode (antall lys-blink)	Mulige feil	Mulig fremgangsmåte
5	Motorturtallet faller for mye, og motoren stopper.	Rengjør klippeaggregatet og øk klippehøyden. Se <i>Slik regulerer du klippehøyden på side 369</i> . Hvis problemet vedvarer, kontakter du et autorisert serviceverksted.
8	Batteriet er svakt.	Lad batteriet. Se <i>Slik lader du batteriet på side 370</i> .
9	Batterifeil eller ingen signaler fra batteriet	Sett batteriet inn i produktet på riktig måte, og undersøk batterikontakten. Hvis LED-feil-lampen på batteriet blinker, kan du se <i>Batteri på side 370</i> .
10	Motorstyringen er for varm.	Stopp motoren, og vent til den er avkjølt.
Andre feil	Hvis det oppstår andre feil, må du ta ut tenningsnøkkelen og batteriet, og ta kontakt med et godkjent serviceverksted.	

## Transport, oppbevaring og avhending

### Innledning



**ADVARSEL:** Når du skal hindre utilsiktet start under transport, trekker du opp tenningsnøkkelen, tar ut batteriet og venter i minst fem sekunder.

### Slik setter du produktet i transportstilling (LC 551V)

1. Løsne de nedre knottene.
2. Flytt knottene til den nedre enden av sporene på venstre og høyre side av produktet. (Fig. 31)
3. Vipp styret forover. (Fig. 68)
4. Tøm oppsamleren.

### Transport

- Loven om farlige varer gjelder de medfølgende Li-ion-batteriene.
- For kommersiell transport må spesielle krav på emballasje og etiketter følges.
- Sørg for at du overholder lovene om farlig materiale når du klargjør produktet for transport. Lokale forskrifter kan gjelde.
- Ta alltid ut batteriet før transport.
- Sett teip på batterikontaktene, og forsikre deg om at batteriet ikke kan bevege seg rundt under transport.
- Sikre produktet under transport.

### Lagring

- Ta alltid ut batteriet når du skal oppbevare produktet.
- For å hindre ulykker må du sikre at batteriet ikke er koblet til produktet under oppbevaring.

- Oppbevar batteriladeren på et innelukket og tørt sted.
- Hold batteriet og laderen på et tørt sted der det ikke er fukt eller frost.
- Koble batteriet fra batteriladeren under oppbevaring.
- Batteriet må ikke oppbevares der det kan forekomme statisk elektrisitet. Ikke oppbevar batteriet i en metallkasse.
- Oppbevar batteriet et sted temperaturen er mellom 5 og 25 °C og borte fra sollys.
- Oppbevar batteriladeren et sted temperaturen er mellom 5 og 45 °C og borte fra sollys.
- Kontroller at batteriet er ladet til 30–50 % før du setter det til oppbevaring i lange perioder.
- Oppbevar produktet, batteriet og batteriladeren i et låsbart område, utilgjengelige for barn og uautoriserte personer.
- Rengjør produktet og utfør en fullstendig service før du setter det til oppbevaring i lang tid.

### Avhending

Symbolene på produktet eller produktemballasjen indikerer at produktet ikke skal håndteres som husholdningsavfall. Produktet skal innleveres til et gjenvinningsanlegg som gjenvinner elektrisk og elektronisk utstyr.

Ved å sikre at produktet håndteres på riktig måte, kan du bidra til å motvirke potensielt negative virkninger på miljø og mennesker, som kan oppstå som følge av at produktet ikke avfallshåndteres på riktig måte. Kontakt det lokale renovasjonsvesenet eller forhandleren der du kjøpte produktet hvis du ønsker mer detaljert informasjon.

(Fig. 69)

## Tekniske data

### Tekniske data

	LB 548i	LC 551iV
<b>Klippemotor</b>		
Motorstype	BLDC (børsteløs) 36 V	BLDC (børsteløs) 36 V
Motorhastighet – SavE, turtall*	2600	2600
Motorhastighet – nominell, turtall*	3000	3000
Motorhastighet – høybelastning, turtall*	3300	3300
Motoreffekt – maks. kW	1,8	1,8
Motoreffekt – nominell, kW	1,5	1,5
<b>Drivmotor</b>		
Motoreffekt – nominell, kW	Ikke tilgjengelig	0,3
Selvgående hastighet, km/t	Ikke tilgjengelig	3,0-5,0
Nivåer for hastighetsjustering	Ikke tilgjengelig	4
<b>Vekt</b>		
Vekt uten batteri, kg	31	41
<b>Batteri</b>		
Batteritype	Husqvarna-batteriserien	Husqvarna-batteriserien
<b>Batteriets driftstid</b>		
Batteriets driftstid, min., (frikjøring) med SavE aktivert, med ett Husqvarna 5,2 Ah-batteri (Bli200)	40	30
Batteriets driftstid, min., (frikjøring) med standardmodus aktivert, med ett Husqvarna 5,2 Ah-batteri (Bli200).	30	20
<b>Støyutslipp</b> <sup>52</sup>		
Lydeffektnivå, mål dB (A)	93	97
Lydeffektnivå, garantert L <sub>WA</sub> dB (A)	93	97
<b>Lydnivåer</b> <sup>53</sup>		
Lydrykknivå ved brukerens øre, dB (A)	80	84
<b>Vibrasjonsnivåer</b> <sup>54</sup>		
Håndtak, m/s <sup>2</sup>	0,3	0,3
<b>Skjæreutstyr</b>		
Klippehøyde, mm	20–75	20–75

<sup>52</sup> Utslipp av støy til omgivelsene målt som lydeffekt (L<sub>WA</sub>) samsvarer med EF-direktiv 2000/14/EF.

<sup>53</sup> Rapporterte data for ekvivalent lydrykknivå for maskinen har en typisk statistisk spredning (standardavvik) på 1,2 dB (A).

<sup>54</sup> Rapporterte data for vibrasjonsnivå har en typisk statistisk spredning (standard avvik) på 0,2 m/s<sup>2</sup>. Vibrasjonsstandard EN 60335-2-77:2017 kapittel 20.105

	<b>LB 548i</b>	<b>LC 551iV</b>
Klippebredde, cm	48	51
Kniv, standard	Finfordelingskniv 597466510	Oppsamlingskniv 597466310
Knivtilbehør	Ikke tilgjengelig	Finfordelingskniv 597466410
Oppsamlerkapasitet, liter	Ikke tilgjengelig	65

\* Omdreininger per minutt

<b>Godkjente batterier</b>	<b>Type</b>	<b>Batterikapasitet, Ah</b>	<b>Spenning, V</b>	<b>Vekt, lb/kg</b>
BLi20	Litium-ion	4,0	36	2,6/1,2
BLi200	Litium-ion	5,2	36	2,8/1,3
BLi300	Litium-ion	9,4	36	4,1/1,9
BLi550X	Litium-ion	15,6	36	12,4/5,6
BLi950X	Litium-ion	31,1	36	15,4/7,0

<b>Godkjente ladere for de spesifiserte batteriene, BLi</b>	<b>Inngangsspenning, V</b>	<b>Frekvens, Hz</b>	<b>Effekt, W</b>
QC80	100–240	50–60	80
QC80F	12	0	80
QC330	100–240	50–60	330
QC500	100–240	50–60	500

---

# EF-samsvarserklæring

---

## EF-samsvarserklæring

**Husqvarna AB**, SE-561 82 Huskvarna, Sverige, tlf.: + 46 36 146500, erklærer at **gressklipperen Husqvarna LB 548i, LC 551iV** fra 2019 og fremover samsvarer med kravene i følgende RÅDSDIREKTIV:

- fra 8. juni 2011 på «begrense bruken av bestemte farlige stoffer» **2011/65/EU**
- fra 17. mai 2006, "angående maskiner" **2006/42/EF**
- fra 26. februar 2014 "angående elektromagnetisk kompatibilitet" **2014/30/EU**
- fra 8. mai 2000 "angående utslipp av støy til omgivelsene" **2000/14/EF**

For informasjon som gjelder støyutslipp, kan du se avsnittet Tekniske data.

Følgende standarder er blitt tillempet:

**IEC 60335-1:2010, IEC 60335-2-77:2002, EN 60335-1:2012, EN 60335-2-77:2010 EN/IEC 62233:2008 EN 61000-6-3:2005 EN 61000-6-1:2005**

Hvis ikke annet er angitt, er de ovenfor oppgitte standarder de nyeste publiserte versjonene.

Kontrollorgan: **0404, RISE SMP Svensk Maskinprovning AB, Box 7035, SE-750 07 Uppsala** har foretatt samsvarsvurdering i henhold til Tillegg VI i direktivet 2000/14/EF og utstedt et sertifikat med følgende nummer: 01/901/324 (LB 548i), 01/901/323 (LC 551iV)

Huskvarna, 2020-01-20



Claes Losdal, Development Manager/hageprodukter (autorisert representant for Husqvarna AB og ansvarlig for teknisk dokumentasjon)

---

# SPIS TREŚCI

---

Wstęp.....	378	Rozwiązywanie problemów.....	394
Bezpieczeństwo.....	380	Transport, przechowywanie i utylizacja.....	395
Montaż.....	389	Dane techniczne.....	396
Przeznaczenie.....	390	Deklaracja zgodności WE.....	399
Przegląd.....	392		

---

## Wstęp

---

### Opis produktu

Produkt jest rotacyjną kosiarką obsługiwaną przez operatora. Model LB 548i wykorzystuje funkcję BioClip do cięcia trawy na nawóz.

Model LC 551iV zbiera trawę do pojemnika. Zdjąć pojemnik na trawę, aby usunąć z niego trawę przez tylny

### Przegląd produktu

(Rys. 1)

1. Panel sterowania
2. Uchwyt hamulca silnika
3. Opóźniacz rozruchu
4. Pojemnik na trawę (LC 551iV)
5. Pokrywa tylna (LC 551iV)
6. Kluczyk bezpieczeństwa
7. Pokrętko uchwytu (LC 551iV)
8. Dźwignia regulacji uchwytu (LB 548i)
9. Pokrywa akumulatora
10. Regulator wysokości koszenia (LC 551iV)
11. Przycisk wł./wyt.
12. Przycisk SavE
13. Wskaźnik SavE
14. Wskaźnik akumulatora
15. Wskaźnik poziomu prędkości
16. Przycisk zmniejszania prędkości
17. Przycisk zwiększania prędkości
18. Dioda LED błędu
19. Osłona modułu tnącego
20. Wloty powietrza
21. Tabliczka znamionowa
22. Dźwignia napędu (LC 551iV)
23. Ładowarka akumulatora (akcesorium)
24. Akumulator (akcesorium)
25. Pakiet akumulatorów (akcesorium)
26. Płytki łącznikowe (akcesoria)
27. Adapter pakietu akumulatorów (akcesoria)
28. Instrukcja obsługi

otwór wylotowy. Zamontować zestaw mulczujący (akcesorium), aby pociąć trawę na nawóz.

### Przeznaczenie

Korzystać z produktu do koszenia trawy w prywatnych ogrodach. Nie używać produktu do innych zadań.

### Symbole znajdujące się na produkcie

(Rys. 2) **OSTRZEŻENIE:** Produkt może spowodować poważne obrażenia ciała lub śmierć operatora lub innych osób. Zachować ostrożność i prawidłowo korzystać z produktu.

(Rys. 3) Należy dokładnie przeczytać instrukcję obsługi i przed użyciem osprzętu upewnić się, że wszystkie wskazówki zostały zrozumiane.

(Rys. 4) Ludzie i zwierzęta powinny przebywać w bezpiecznej odległości od obszaru roboczego.

(Rys. 5) Należy uważać na odrzucane i rykoszetujące przedmioty.

(Rys. 6) Ostrzeżenie: Ręce i stopy należy trzymać z dala od obracającego się ostrza.

(Rys. 7) Ostrzeżenie: Nie zbliżać dłoni i stóp do części obrotowych.

(Rys. 8) Przed rozpoczęciem czynności naprawczych lub konserwacyjnych należy wyjąć kluczyk bezpieczeństwa.

(Rys. 9) **Oznaczenie dotyczące ochrony środowiska.** Tego produktu ani opakowania nie można traktować jako odpadów domowych. Należy poddawać je recyklingowi w zatwierdzonym punkcie zbiórki sprzętu elektrycznego i elektronicznego.

(Rys. 10) Produkt jest zgodny z odpowiednimi Dyrektywami WE.

(Rys. 11) Produkt jest zgodny z odpowiednimi dyrektywami Euroazjatyckiej Unii Celnej.

(Rys. 12) Produkt jest zgodny z odpowiednimi dyrektywami UkrSEPRO.

(Rys. 13) Produkt jest zgodny z odpowiednimi dyrektywami RCM.  
Dotyczy wyłącznie AU/NZ

(Rys. 14) Poziom emisji hałasu do środowiska jest zgodny z obowiązującymi dyrektywami Rady Europejskiej. Poziom hałasu emitowanego przez urządzenie jest określony w rozdziale *Dane techniczne na stronie 396* oraz na tabliczce z numerem seryjnym.

**IPX4** Produkt jest  
**IPX4** zabezpieczony przed  
rozbryzgami wody.

(Rys. 19) Procedura uruchomienia: nacisnąć przycisk WŁ./ WYŁ., poluzować opóźniacz rozruchu, nacisnąć uchwyt hamulca silnika.

(Rys. 15) Zwolnić uchwyt hamulca silnika, aby zatrzymać.

(Rys. 16) Wolno

(Rys. 17) Prędko

(Rys. 18) Kod do przeskanowania

---

**Uwaga:** Pozostałe symbole/naklejki samoprzylepne umieszczone na produkcie dotyczą wymogów związanych z certyfikatami w niektórych krajach.

---

**Etykieta znajdująca się na produkcie**

(Rys. 20)

Ręce i stopy należy trzymać z dala od obracających się ostrzy.

## ODPOWIEDZIALNOŚĆ ZA PRODUKT

Zgodnie z przepisami dotyczącymi odpowiedzialności za produkt nie ponosimy odpowiedzialności za szkody spowodowane przez nasz produkt, jeśli:

- produkt jest nieprawidłowo naprawiany.
- produkt jest naprawiany przy użyciu części nie pochodzących od producenta lub niezatwierdzonych przez producenta.

- produkt jest wyposażony w akcesoria nie pochodzące od producenta lub niezatwierdzone przez producenta.
- produkt nie jest naprawiany w autoryzowanym centrum serwisowym lub przez autoryzowaną placówkę.

---

## Bezpieczeństwo

---

### Definicje dotyczące bezpieczeństwa

Ostrzeżenia, uwagi i informacje są używane do zwrócenia uwagi na szczególnie ważne sekcje instrukcji obsługi.



**OSTRZEŻENIE:** Stosuje się, gdy istnieje ryzyko poważnych obrażeń lub śmierci operatora albo osób postronnych w wyniku nieprzestrzegania instrukcji obsługi.



**UWAGA:** Stosuje się, gdy istnieje ryzyko uszkodzenia produktu, innych materiałów lub otoczenia w wyniku nieprzestrzegania instrukcji obsługi.

**Uwaga:** stosuje się, aby przekazać więcej informacji, które są przydatne w danej sytuacji.

### Ogólne zasady bezpieczeństwa



**OSTRZEŻENIE:** Przed rozpoczęciem użytkowania produktu przeczytać następujące ostrzeżenia.

- Produkt ten może być niebezpieczny w przypadku jego nieprawidłowego użytkowania i niezachowania ostrożności. Nieprzestrzeganie instrukcji bezpieczeństwa może spowodować obrażenia ciała lub śmierć.
- Podczas pracy urządzenie wytwarza pole elektromagnetyczne. W pewnych okolicznościach pole to może zakłócać pracę aktywnych lub pasywnych implantów medycznych. Przed użyciem tego produktu osoby z wszczepionym implantem medycznym powinny skonsultować się z lekarzem i producentem implantu w celu ograniczenia ryzyka



- poważnych lub śmiertelnych obrażeń.
- Zawsze zachowywać ostrożność i kierować się zdrowym rozsądkiem. Jeśli nie ma pewności, w jaki sposób należy obsługiwać ten produkt w konkretnej sytuacji, przed wznowieniem pracy należy porozmawiać z dealerem Husqvarna.
  - Pamiętać o tym, że operator ponosi odpowiedzialność za wypadki z udziałem innych ludzi i ich własności.
  - Utrzymywać produkt czystym. Upewnić się, że można łatwo odczytać oznaczenia i naklejki.
  - Nie wolno pozwalać dzieciom ani osobom, które nie zapoznały się z niniejszymi instrukcjami obsługi, na obsługiwanie urządzenia. Przepisy prawa lokalnego mogą narzucić ograniczenia dotyczące wieku operatora urządzenia
  - Należy zawsze kontrolować osobę o ograniczonych możliwościach fizycznych lub umysłowych podczas używania produktu. Zawsze musi jej towarzyszyć odpowiedzialna osoba dorosła.
  - Osoba, która jest zmęczona, chora lub pod wpływem alkoholu, narkotyków lub leków nie może obsługiwać urządzenia. Stany te mają negatywny wpływ na wzrok, uwagę, koordynację i osąd.
  - Nie stosować uszkodzonego produktu.
  - Nie wolno dokonywać w maszynie zmian stanowiących modyfikację jej oryginalnej wersji. Nie używać maszyny, jeżeli istnieje podejrzenie, że ktoś inny wprowadził w niej zmiany.

### Bezpieczeństwo miejsca pracy



**OSTRZEŻENIE:** Przed rozpoczęciem użytkowania produktu przeczytać następujące ostrzeżenia.

- Usunąć obiekty, takie jak gałęzie, gałązki i kamienie z obszaru roboczego przed rozpoczęciem korzystania z maszyny.
- Obiekty, które zderzają się z elementami tnącymi, mogą zostać wyrzucone i spowodować obrażenia osób i uszkodzenia przedmiotów. Osoby znajdujące się w pobliżu i zwierzęta powinny

zachować bezpieczną odległość od maszyny.

- Nigdy nie należy używać produktu w niesprzyjających warunkach np. we mgle, w deszczu, przy silnym wietrze, na silnym mrozie, gdy występuje ryzyko wyładowań atmosferycznych. Korzystanie z maszyny w niesprzyjających warunkach lub w wilgotnych czy mokrych lokalizacjach jest męczące. Niesprzyjające warunki pogodowe mogą stworzyć niebezpieczne warunki, takie jak śliskie powierzchnie.
- Należy uważać na osoby, przedmioty i sytuacje, które mogą uniemożliwić bezpieczną obsługę maszyny.
- Należy zwracać uwagę na przeszkody, takie jak korzenie, kamienie, gałązki, dziury i doły. Wysoka trawa może zasłaniać przeszkody.
- Koszenie trawy na pochyłościach może być niebezpieczne. Nie kosić trawy na bardzo stromych zboczach. Nie należy używać maszyny na pochyłościach terenu przekraczających 15°.
- Zachować szczególną ostrożność podczas zmiany kierunku jazdy na zboczach.

Należy używać maszyny, prowadząc ją w poprzek zbocza. Nie należy jeździć w górę i w dół zbocza.

- Zachować ostrożność podczas zbliżania się do narożników lub innych obiektów, które mogą ograniczać widoczność.

## Pracuj bezpiecznie

---



**OSTRZEŻENIE:** Przed rozpoczęciem użytkowania produktu przeczytać następujące ostrzeżenia.

---

- Używać maszyny wyłącznie do przycinania trawników. Nie jest dozwolone wykorzystanie maszyny do innych zadań.
- Stosuj środki ochrony osobistej. Patrz *Środki ochrony osobistej na stronie 384*.
- Należy zawsze wiedzieć, jak szybko wyłączyć silnik w razie awarii.
- Nie używać urządzenia podczas deszczu ani w wilgotnym otoczeniu. Dostanie się wody do wnętrza urządzenia zwiększa ryzyko porażenia prądem.
- Nie należy obsługiwać maszyny, jeśli ostrze oraz wszystkie pokrywy nie zostały

- prawidłowo zamocowane.  
Nieprawidłowo zamocowane ostrze może się obluźwiać i spowodować obrażenia.
- Należy upewnić się, że ostrze nie uderza w żadne obiekty, takie jak kamienie czy korzenie. Może to spowodować uszkodzenie ostrza oraz wygięcie wału silnika. Zgięta oś powoduje silne wibracje oraz bardzo wysokie zagrożenie obluźwaniem ostrza.
  - Jeśli ostrze uderzy w jakikolwiek obiekt lub jeśli wystąpią wibracje, należy natychmiast wyłączyć maszynę. Zatrzymać silnik, wyjąć kluczyk bezpieczeństwa i wymontować akumulator. Należy sprawdzić maszynę pod kątem uszkodzeń. Należy naprawić uszkodzenia lub zlecić przeprowadzenie naprawy przez autoryzowany punkt serwisowy.
  - Nigdy nie należy na stałe przymocowywać uchwytu hamulca silnikowego do uchwytu podczas pracy silnika.
  - Maszynę należy ustawić na stabilnej, płaskiej powierzchni i ją uruchomić. Należy upewnić się, że ostrza nie uderzają w podłoże lub inne przedmioty.
  - Podczas obsługi maszyny zawsze należy stać za nią.
  - Podczas obsługi maszyny należy upewnić się, że wszystkie koła dotykają podłoża oraz trzymać na kierownicy obie dłonie. Ręce i stopy należy trzymać z dala od obracających się noży.
  - Nie przechylać produktu, kiedy uruchomiony jest silnik.
  - Należy zachować ostrożność podczas ciągnięcia maszyny do tyłu.
  - Nigdy nie należy podnosić maszyny przy włączonym silniku. Jeśli konieczne jest podniesienie urządzenia, należy najpierw wyłączyć silnik, wyjąć kluczyk bezpieczeństwa i wymontować akumulator.
  - Nie należy poruszać się do tyłu podczas obsługi maszyny.
  - Podczas poruszania się po obszarach bez trawy, na przykład po zwirowych, kamiennych lub asfaltowych ścieżkach, należy wyłączyć silnik.
  - Nie należy biegać z maszyną przy włączonym silniku. Podczas obsługi maszyny zawsze należy poruszać się chodem.

- Przed zmianą wysokości koszenia należy wyłączyć silnik. Nigdy nie należy wykonywać regulacji przy uruchomionym silniku.
- Nigdy nie należy pozostawiać maszyny poza zasięgiem wzroku przy włączonym silniku. Należy wyłączyć silnik i upewnić się, że narzędzia tnące nie obracają się.

Instrukcje bezpieczeństwa dotyczące obsługi

### Środki ochrony osobistej



**OSTRZEŻENIE:** Przed rozpoczęciem użytkowania produktu przeczytać następujące ostrzeżenia.

- Środki ochrony osobistej nie eliminują całkowicie ryzyka odniesienia obrażeń, natomiast ograniczają ich rozmiar w razie zaistnienia wypadku. Skorzystać z pomocy dealera przy wyborze odpowiedniego sprzętu.
- Należy używać mocnego, przeciwpoślizgowego obuwia ochronnego lub obuwia roboczego. Nie należy używać otwartego obuwia lub chodzić boszo.

- Stosować wytrzymałe, długie spodnie.
- W razie potrzeby, na przykład podczas mocowania, badania czy czyszczenia narzędzi tnących, stosować rękawice ochronne.

### Zespoły zabezpieczające na urządzeniu



**OSTRZEŻENIE:** Przed rozpoczęciem użytkowania produktu przeczytać następujące ostrzeżenia.

- Nie należy używać maszyny z uszkodzonymi urządzeniami zabezpieczającymi.
- Regularnie przeprowadzać kontrole urządzeń zabezpieczających. Jeśli urządzenia zabezpieczające są uszkodzone, skontaktować się z warsztatem obsługi technicznej Husqvarna.

### Sprawdzanie osłony modułu tnącego

Osłona modułu tnącego ogranicza drgania urządzenia i obniża ryzyko odniesienia obrażeń od ostrza.

- Zbadać osłonę modułu tnącego, aby upewnić się, że nie nosi ona znamion

uszkodzenia, takich jak pęknięcia.

## Kluczyk bezpieczeństwa

Kluczyk bezpieczeństwa znajduje się pod pokrywą akumulatora. Kluczyk bezpieczeństwa służy do podłączenia akumulatora, który zasila silnik.

## Sprawdzanie kluczyka bezpieczeństwa

Kluczyk bezpieczeństwa służy do podłączenia akumulatora, który zasila silnik.

- Uruchomić i wyłączyć silnik. Jeżeli kluczyk bezpieczeństwa działa prawidłowo, silnik uruchomi się tylko po przekręceniu kluczyka w położenie blokady bezpieczeństwa.

## Uchwyt hamulca silnika

Uchwyt hamulca silnika zatrzymuje silnik. Po zwolnieniu uchwytu hamulca silnika następuje wyłączenie silnika.

Aby przeprowadzić kontrolę hamulca silnika, należy uruchomić silnik, a następnie zwolnić uchwyt hamulca silnika. Jeśli silnik nie wyłączy się w czasie 3 sekund, autoryzowany punkt serwisowy Husqvarna

powinien wyregulować hamulec silnika.

(Rys. 21)

## Sprawdzanie zabezpieczenia przed niepożądanym uruchomieniem

Skontrolować zabezpieczenie przed niepożądanym uruchomieniem urządzenia, aby upewnić się, że zapobiega ono uruchomieniu silnika.

1. Pchnąć dźwignię hamulca silnika w stronę drążka sterującego. Zabezpieczenie przed niepożądanym uruchomieniem urządzenia zatrzymuje ruch.
2. Popchnąć zabezpieczenie przed niepożądanym uruchomieniem na zewnątrz. (Rys. 22)
3. Zwolnić zabezpieczenie przed niepożądanym uruchomieniem urządzenia, aby upewnić się, że powróci do swojego położenia wyjściowego.

## Zasady bezpieczeństwa związane z akumulatorem



**OSTRZEŻENIE:** Przed rozpoczęciem użytkowania produktu

przeczytać następujące ostrzeżenia.

---

- Używać akumulatorów Husqvarna wyłącznie do zasilania powiązanych produktów Husqvarna. Aby uniknąć obrażeń, nie należy używać akumulatora jako źródła zasilania innych produktów.
- Nie korzystać z baterii jednorazowego użytku.
- Ryzyko porażenia prądem. Nie przykładać zacisków akumulatora do kluczy, monet, śrub lub innych metalowych przedmiotów. Może to spowodować zwarcie akumulatora.
- Nie wkładać żadnych przedmiotów do szczelin powietrznych akumulatora.
- Chronić akumulator przed bezpośrednim działaniem promieni słonecznych, wysoką temperaturą i otwartym płomieniem. Akumulator może wybuchnąć i spowodować oparzenia i/lub oparzenia chemiczne.
- Akumulator należy chronić przed deszczem i wodą.
- Akumulator należy chronić przed działaniem mikrofal i wysokiego ciśnienia.

- Nie próbować rozbierać ani rozbijać akumulatora.
- Jeśli doszło do wycieku z akumulatora, unikać kontaktu cieczy ze skórą i oczami. W przypadku dotknięcia cieczy przemyć skórę dużą ilością wody i zgłosić się do lekarza.
- Akumulator można użytkować w zakresie temperatur od  $-10^{\circ}\text{C}$  do  $40^{\circ}\text{C}$ .
- Do czyszczenia akumulatora ani ładowarki nie należy używać wody. Patrz *Czyszczenie akumulatora i ładowarki na stronie 394*.
- Nie należy używać wadliwego ani uszkodzonego akumulatora.
- Przechowywać akumulatory z dala od metalowych przedmiotów, takich jak gwoździe, monety czy biżuteria.

### Zasady bezpieczeństwa w czasie obsługi ładowarki

---



**OSTRZEŻENIE:** Przed rozpoczęciem użytkowania produktu przeczytać następujące ostrzeżenia.

---

- Używać ładowarki QC jedynie do ładowania akumulatorów wymiennych Husqvarna.

- Istnieje ryzyko porażenie prądem i zwarcia. Nie wkładać żadnych przedmiotów do szczelin wentylacyjnych ładowarki. Nie należy podejmować prób rozmontowania ładowarki. Nie zwierać końcówek ładowarki metalowymi przedmiotami. Należy korzystać z zatwierdzonego gniazda zasilania.
- Niniejszy produkt podczas pracy wytwarza pole elektromagnetyczne. W pewnych okolicznościach pole to może zakłócać pracę aktywnych lub pasywnych implantów medycznych. Przed użyciem tego produktu osoby z wszczepionym implantem medycznym powinny skonsultować się z lekarzem i producentem implantu w celu ograniczenia ryzyka poważnych lub śmiertelnych obrażeń.
- Należy regularnie sprawdzać, czy przewód zasilający ładowarki do akumulatora nie jest uszkodzony i popękany.
- Nie podnosić ładowarki do akumulatora za przewód zasilający. Aby odłączyć ładowarkę do akumulatora od gniazda, wyciągnąć wtyczkę. Nie ciągnąć z przewód.
- Uważać, aby przewód zasilający i przedłużacze nie stykały się z wodą, olejem ani nie dotykały ostrych krawędzi. Uważać także, aby przewód nie został zakleszczony w drzwiach, furtkach, płotach itp. Może to spowodować, że ładowarka znajdzie się pod napięciem.
- Do czyszczenia ładowarki nie należy używać wody.
- Ładowarka do akumulatora może być używana przez dzieci, które przekroczyły 8 rok życia, oraz przez osoby o ograniczonych zdolnościach fizycznych, sensorycznych bądź umysłowych lub nie posiadające odpowiedniego doświadczenia i wiedzy, jeśli są one pod nadzorem lub zostały poinstruowane w zakresie bezpiecznego użytkowania ładowarki i rozumieją wiążące się z nią zagrożenia. Dzieci nie mogą bawić się ładowarką do akumulatora. Dzieci nie mogą bez nadzoru czyścić urządzenia ani przeprowadzać jego konserwacji.
- Nie należy ładować akumulatorów nieprzeznaczonych do ładowania.

- Nie używać ładowarki do akumulatora w pobliżu łatwopalnych materiałów lub materiałów, które mogą powodować korozję. Ładowarki nie należy przykrywać. W razie zauważenia dymu lub ognia należy odłączyć ładowarkę od źródła zasilania.
- Nie należy używać wadliwej lub uszkodzonej ładowarki do akumulatora.
- Należy ładować akumulator wyłącznie wewnątrz budynku, w pomieszczeniu z dobrym przepływem powietrza i z dala od światła słonecznego. Nie ładować akumulatora w wilgotnym otoczeniu.

## Instrukcje bezpieczeństwa dotyczące konserwacji



**OSTRZEŻENIE:** Przed rozpoczęciem użytkowania produktu przeczytać następujące ostrzeżenia.

- Przed przystąpieniem do konserwacji wyjąć kluczik zabezpieczający.
- Prace konserwacyjne należy wykonywać w prawidłowy sposób, aby zwiększyć żywotność produktu i zmniejszyć ryzyko wypadków. Wykonanie profesjonalnych napraw należy zlecić autoryzowanemu punktowi serwisowemu. Więcej informacji można uzyskać w najbliższym punkcie serwisowym.
- Należy wykonywać jedynie prace konserwacyjne opisane w instrukcji obsługi.
- Podczas obsługi osprzętu tnącego należy zakładać specjalistyczne rękawice. Ostrze jest bardzo ostre i może łatwo doprowadzić do skaleczenia.
- Aby uzyskać jak najlepsze efekty i zapewnić bezpieczeństwo, należy utrzymywać krawędzie tnące naostrzone i czyste.
- Regularnie oddawać urządzenie do autoryzowanego punktu serwisowego w celu jego kontroli i dokonania koniecznych regulacji lub napraw.
- Wymienić uszkodzone, zużyte lub zniszczone części.
- Należy przestrzegać instrukcji wymiany akcesoriów. Używać wyłącznie akcesoriów od producenta urządzenia.



- Gdy urządzenie nie jest użytkowane, należy przechowywać produkt, akumulator i ładowarkę z dala od siebie, w suchym i

zamkniętym pomieszczeniu. Upewnij się, że dzieci ani osoby niepowołane nie mogą uzyskać dostępu do produktu, akumulatora ani ładowarki.

## Montaż

### Wstęp



**OSTRZEŻENIE:** Przed zmontowaniem produktu należy zapoznać się z rozdziałem dotyczącym bezpieczeństwa.

### Montaż i demontaż pakietu akumulatorów (akcesorium)

1. Wymontować 4 gumowe zaślepki i wykręcić 4 śruby z pokrywy silnika. (Rys. 23)
2. Założyć płytę adaptera na pokrywę silnika.
3. Przymocować płytę adaptera za pomocą 4 dołączonych śrub i dokręcić momentem 5-6 Nm. (Rys. 24)
4. Otworzyć pokrywę akumulatora.
5. Wyjąć akumulator z gniazda 1. (Rys. 25)
6. Wyjąć zatyczkę uszczelniającą. (Rys. 26)
7. Wsunąć adapter akumulatora w komorę, aż do usłyszenia kliknięcia. (Rys. 27)
8. Przełożyć przewód adaptera akumulatora przez otwór zatyczki uszczelniającej. Przymocować przewód zaciskiem. (Rys. 28)
9. Zamocować pakiet akumulatorów na adapterze.
10. Podłączyć pakiet akumulatorów do adaptera. (Rys. 29)
11. Przymocować przewód adaptera do uchwytu za pomocą 3 pasków materiału. (Rys. 30)
12. W celu demontażu pakietu akumulatorów należy wykonać czynności w odwrotnej kolejności.



**OSTRZEŻENIE:** Przewód nie może być zbyt luźno przywiązany do uchwytu. Przewód może odpaść od uchwytu i spowodować obrażenia ciała.

### Montaż uchwytu (LC 551iV)

1. Poluzować dolne pokręta.
2. Przesunąć pokręta do dolnych końców rowków po lewej i prawej stronie produktu. (Rys. 31)
3. Ustawić wysokość uchwytu w jedną z 2 dostępnych pozycji.

4. Przesunąć pokręta w górę w kierunku uchwytu aż do zatrzaśnięcia. (Rys. 32)
5. Dokręcić do końca pokręta.

### Montaż uchwytu (LB 548i)

1. Wymontować nakrętkę uchwytu oraz podkładkę z płyty na górnym uchwycie.
2. Ustawić górny uchwyt w pozycji na górnej części dolnego uchwytu.



**UWAGA:** Sprawdzić, czy przewody nie zostały zablokowane i czy nie są uszkodzone.

3. Przymocować podkładkę i dźwignię regulacji uchwytu. (Rys. 33)
4. Podczas użytkowania produktu przy ścianie należy obrócić uchwyt na bok, aby ustawić go w odpowiedniej pozycji roboczej. (Rys. 34)

### Montaż pojemnika na trawę (LC 551iV)

1. Przymocować ramę pojemnika na trawę do worka na trawę tak, aby sztywna część worka znajdowała się na dole. Upewnij się, że uchwyt ramy znajduje się na górze worka na trawę. (Rys. 35)
2. Zamocować dolną część ramy pojemnika na trawę w rowku na spodzie pojemnika na trawę.
3. Przymocować worek do ramy pojemnika na trawę za pomocą zacisków. (Rys. 36)
4. Unieść tylną osłonę.
5. Zamocować zbiornik na trawę do górnej krawędzi obudowy.
6. Włożyć dolną część pojemnika na trawę do kanału otworu wylotowego trawy. (Rys. 37)

### Montaż wkładki mulczącej (LC 551iV akcesorium)

1. Unieść tylną pokrywę i wyjąć pojemnik na trawę.
2. Zamontować wkładkę rozdrabniającą w kanale otworu wylotowego. (Rys. 38)
3. Wymienić ostrze tnące na ostrze mulczujące, dostarczane w zestawie do mulczowania. Więcej informacji znajduje się w *Wymiana ostrza na stronie 393*.

---

# Przeznaczenie

---

## Wstęp



**OSTRZEŻENIE:** Przed użyciem urządzenia należy przeczytać ze zrozumieniem rozdział poświęcony bezpieczeństwu.

## Husqvarna Connect

Husqvarna Connect to darmowa aplikacja na urządzenia mobilne. Husqvarna ConnectHusqvarna

- Extended product information.
- Information about, and help with, product parts and servicing.

## Rozpoczęcie użytkowania Husqvarna Connect

1. Pobierz aplikację Husqvarna Connect na swoim urządzeniu mobilnym.
2. Zarejestruj się w aplikacji Husqvarna Connect.
3. Wykonaj instrukcje wyświetlane w aplikacji Husqvarna Connect, aby nawiązać połączenie i zarejestrować produkt.

## Husqvarna Fleet Services™

Husqvarna Fleet Services™ to rozwiązanie chmurowe, które zapewnia kierownikom floty handlowej przegląd wszystkich produktów. Aplikacja Husqvarna Fleet Services™ jest włączona dla LC 551iV. Więcej informacji o Husqvarna Fleet Services™ — patrz [www.husqvarna.com](http://www.husqvarna.com).

## Przygotowanie czujnika (akcesorium)

1. Otworzyć osłonę czujnika za pomocą przeznaczonego do tego klucza. (Rys. 39)
2. Wyjąć czujnik.
3. Włożyć baterię do czujnika. Zapali się dioda LED czujnika. (Rys. 40)
4. Pobrać aplikację Husqvarna Fleet Services™.
5. Zalogować się do aplikacji Husqvarna Fleet Services™.
6. Przeprowadzić proces parowania. Więcej informacji znajduje się w *Proces parowania aplikacji z produktem na stronie 390*

## Proces parowania aplikacji z produktem

1. Zalogować się do aplikacji Husqvarna Fleet Services™.
2. Wybrać produkt w aplikacji.
3. Za pomocą urządzenia przenośnego zeskanować kod znajdujący się za czujnikiem, aby zainstalować czujnik w aplikacji.

**Uwaga:** Przeprowadzanie parowania aplikacji z produktem jest konieczne tylko raz.

## Montaż czujnika

1. Należy sprawdzić, czy czujnik jest podłączony do aplikacji Husqvarna Fleet Services™. Więcej informacji znajduje się w *Proces parowania aplikacji z produktem na stronie 390*.
2. Wywiercić 2 otwory zgodnie z oznaczeniami na gnieździe osłony. (Rys. 41)

**Uwaga:** Sprawdzić, czy otwory mają takie same wymiary jak nity dostarczone z czujnikiem.

3. Za pomocą szczypiec płaskich usunąć zewnętrzne otwory gniazda czujnika. (Rys. 42)
4. Wywiercić 2 otwory o średnicy zgodnie z oznaczeniami na gnieździe czujnika. (Rys. 43)
5. Dopasować gniazdo czujnika do gniazda osłony. (Rys. 44)
6. Przymocować gniazdo czujnika za pomocą nitów.
7. Zamontować czujnik w gnieździe czujnika. Wyrównać białe oznaczenie na czujniku z oznaczeniem na gnieździe czujnika. (Rys. 45)
8. Zamknąć pokrywę czujnika i zablokować ją za pomocą przeznaczonego do tego klucza. Upewnić się, że logo z literą Husqvarna „H” jest skierowane górą częścią w stronę kluczyka bezpieczeństwa. (Rys. 46)

## Ustawienie produktu w pozycji roboczej (LC 551iV)

1. Unieść uchwyt do pozycji pionowej. (Rys. 47)
2. Przesunąć pokrętła w górę w kierunku uchwyty aż do zatrzaśnięcia. (Rys. 32)
3. Dokręcić do końca pokrętła.

## Regulacja wysokości koszenia

Można ustawiać 6 różnych wysokości koszenia.

1. Popchnąć regulator wysokości koszenia w kierunku koła, a następnie do tyłu, aby zwiększyć wysokość koszenia.
2. Popchnąć regulator wysokości koszenia w kierunku koła, a następnie do przodu, aby zmniejszyć wysokość koszenia. (Rys. 48)



**UWAGA:** Nie należy ustawiać zbyt niskiej wysokości koszenia. Ostrza mogą uderzyć w podłoże, jeśli powierzchnia trawnika nie jest równa.

## Akumulator



**OSTRZEŻENIE:** Przed rozpoczęciem korzystania z akumulatora należy przeczytać ze zrozumieniem rozdział poświęcony bezpieczeństwu. Należy również przeczytać uważnie instrukcję obsługi dołączonej do akumulatora i ładowarki.

### Stan akumulatora

Na wyświetlaczu pokazywane są informacje o stanie naładowania akumulatora i sygnalizowane ewentualne problemy. Stan naładowania akumulatora jest wyświetlany przez 5 s po wyłączeniu urządzenia lub po naciśnięciu przycisku wskaźnika akumulatora. W przypadku wystąpienia błędu włącza się symbol ostrzegawczy na akumulatorze. Patrz *Akumulator na stronie 394*.

(Rys. 49)

Diody LED	Stan akumulatora
Świecą się wszystkie diody LED.	W pełni naładowany (75–100%).
Świecą się diody LED 1, LED 2, LED 3.	Poziom naładowania akumulatora 50–75%.
Świecą się diody LED 1, LED 2.	Poziom naładowania akumulatora 25–50%.
Świeci się dioda LED 1.	Poziom naładowania akumulatora: 0–25%.
Miga dioda LED 1.	Akumulator rozładowany. Naładuj akumulator.

### Ładowanie akumulatora

Przed pierwszym użyciem należy naładować akumulator. W chwili dostawy do klienta akumulator jest naładowany jedynie w 30%.

**Uwaga:** Ładowarka do akumulatora musi zostać podłączona do napięcia i częstotliwości wskazanych na tabliczce znamionowej.

Akumulator nie ładuje się, gdy temperatura akumulatora przekracza 50°C. Przed rozpoczęciem ładowania ładowarka zmniejsza temperaturę akumulatora.

1. Podłączyć jeden koniec przewodu zasilającego ładowarki do gniazda ładowarki.
2. Podłączyć drugi koniec przewodu zasilającego ładowarki do gniazda sieciowego z uziemieniem. Dioda ładowarki błysnie jeden raz na zielono. (Rys. 50)
3. Włóż akumulator do ładowarki. Kiedy akumulator jest prawidłowo podłączony do ładowarki, włącza się na niej zielona dioda. (Rys. 51)

4. Akumulator jest całkowicie naładowany, gdy włącza się wszystkie diody. Akumulator można ładować przez maks. 24 godziny.
5. Aby odłączyć ładowarkę od gniazda sieciowego, należy ciągnąć za wtyczkę, a nie za przewód.
6. Akumulator należy wyjąć z ładowarki.

### Stan ładowania akumulatora

Akumulator litowo-jonowy Husqvarna można ładować i używać przy różnych poziomach naładowania. Akumulator nie jest uszkodzony. W pełni naładowany akumulator nie będzie się rozładowywał, nawet jeśli zostanie w ładowarce.

Wyświetlacz LED	Stan ładowania
Miga dioda LED 1.	0–25%
Dioda LED 1 świeci, a dioda LED 2 miga.	25–50%
Diody LED 1 i LED 2 świecą, a dioda LED 3 miga.	50–75%
Diody LED 1, LED 2 i LED 3 świecą, a dioda LED 4 miga.	75–100%
Świecą diody LED 1, LED 2, LED 3 i LED 4	Akumulator całkowicie naładowany

### Ładowanie pakietu akumulatorów

**Uwaga:** Akumulator należy naładować przed pierwszym użyciem. Nowy akumulator jest naładowany jedynie w 30%.

1. Sprawdzić, czy akumulator jest suchy.
2. Podłączyć pakiet akumulatorów do adaptera. (Rys. 52)
3. Włożyć adapter do ładowarki.
4. Sprawdzić, czy zielona dioda LED ładowania na ładowarce zapali się. Oznacza to, że adapter i pakiet akumulatorów są prawidłowo połączone. (Rys. 53)
5. Akumulator jest całkowicie naładowany, gdy zapalone są wszystkie diody LED, a adapter wskazuje 100%. (Rys. 54)

Adapter pokazuje stan naładowania w odstępach co 1%. W początkowym etapie ładowania mogą wystąpić niewielkie odchylenia.

6. Aby odłączyć ładowarkę od gniazda elektrycznego, wyciągnąć wtyczkę. Nie ciągnąć za przewód.
7. Wyjąć adapter z ładowarki.
8. Odłączyć pakiet akumulatorów od adaptera.

---

**Uwaga:** Aby uzyskać więcej informacji, należy zapoznać się z instrukcjami obsługi pakietu akumulatorów i ładowarki akumulatora.

---

## Uruchamianie produktu

1. Unieść pokrywę akumulatora.
2. Umieścić naładowany akumulator w gnieździe nr 1 pod pokrywą akumulatora. Aby zapewnić dłuższy czas pracy, należy umieścić drugi akumulator w gnieździe nr 2.
3. Odłączyć kluczyk bezpieczeństwa od uchwytu.
4. Wsunąć kluczyk w blokadę bezpieczeństwa. (Rys. 55)
5. Należy pozostawać za maszyną.
6. Nacisnąć przycisk wł./wył. na panelu sterowania. Włączy się wyświetlacz.
7. Poluzować opóźniacz rozruchu. (Rys. 22)
8. Pchnąć dźwignię hamulca silnika w stronę dźwaka sterującego. (Rys. 56)

## Korzystanie z napędu kół (LC 551iV)

- Pociągnąć dźwignię napędu w kierunku dźwaka sterującego, aby włączyć napęd. (Rys. 57)
- Za pomocą przycisków + i - na panelu sterowania można ustawić prędkość jazdy na jeden z 4 poziomów. (Rys. 58)
- Zwolnić dźwignię napędu, aby odłączyć napęd na przykład w sytuacji zbliżania się do przeszkody.

## Korzystanie z funkcji SavE

Urządzenie wyposażone jest w funkcję oszczędzania akumulatora (SavE), która zapewnia dłuższy czas pracy.

1. Aby uruchomić funkcję, należy nacisnąć przycisk SavE (A). Na wyświetlaczu pojawi się symbol SavE (B).
2. Ponowne naciśnięcie przycisku SavE wyłączy funkcję. Symbol SavE (B) przestanie być wyświetlany. (Rys. 59)

Funkcja SavE zostanie wyłączona automatycznie, jeśli okaże się, że stan podłoża wymaga zastosowania większej mocy. Funkcja SavE ponownie uruchomi się automatycznie, gdy tylko stan podłoża na to pozwoli.

## Funkcja PowerBoost

Jeżeli urządzenie jest używane do ścinania mokrej lub długiej trawy, silnik automatycznie zwiększy prędkość obrotową. W celu wydłużenia czasu pracy akumulatora silnik automatycznie powraca do trybu standardowego, gdy funkcja PowerBoost nie jest potrzebna.

## Wyłączanie produktu

Urządzenie zatrzymuje się automatycznie, jeśli nie jest używane przez 3 min.

1. Aby wyłączyć silnik, należy zwolnić uchwyt hamulca silnika. (Rys. 21)
2. Nacisnąć przycisk wł./wył. na panelu sterowania. Wszystkie diody LED i symbole przestaną być wyświetlane. (Rys. 60)
3. Wyjąć kluczyk z blokady bezpieczeństwa i umieścić go w uchwycie.

## Uzyskiwanie dobrych rezultatów

- Używać zawsze dobrze naostrzonych ostrzy. Stępione ostrze daje nierównomierne rezultaty, a ścinana powierzchnia zółknie. Naostrzone ostrze zużywa również mniej energii niż ostrze stępione.
- Nie należy kosić więcej niż 1/4 długości trawy. Najpierw należy kosić przy użyciu dużej wysokości koszenia. Zbadać rezultaty i obniżyć wysokość koszenia do odpowiedniego poziomu. Jeśli trawa jest bardzo długa, w razie konieczności należy przejechać powoli i ścinać dwukrotnie.
- Kosić za każdym razem w różnych kierunkach, aby uniknąć powstawania pasów na trawniku.

## Koszenie trawy bez pojemnika na trawę i przystawki mulczącej (LC 551iV)

1. Unieść tylną pokrywę i wyjąć pojemnik na trawę.
2. Jeżeli zamontowana jest przystawka mulcząca lub nóż mulczujący, należy je wymontować.
3. Przed przystąpieniem do używania urządzenia należy zamknąć tylną pokrywę.

W trakcie pracy urządzenia ścięta trawa jest wyrzucana pod tylną pokrywę.

---

## Przegląd

---

### Wstęp



**OSTRZEŻENIE:** Przed przeprowadzeniem konserwacji należy przeczytać i zrozumieć rozdział o bezpieczeństwie.

Do wykonywania wszelkich prac serwisowych i naprawczych konieczne jest specjalistyczne przeszkolenie. Gwarantujemy dostępność

profesjonalnych napraw i usług serwisowych. Jeśli dany dealer nie jest autoryzowanym punktem serwisowym, poproś sprzedawcę o informacje na temat najbliższego autoryzowanego punktu serwisowego.

### Plan konserwacji

Odstępy pomiędzy konserwacjami obliczane są w oparciu o codzienne wykorzystanie produktu. Odstępy te

ulegają zmianie, jeśli maszyna nie jest użytkowana codziennie.

Czynności konserwacyjne oznaczone znakiem \*, patrz *Instrukcję bezpieczeństwa dotyczące obsługi na stronie 384.*

	Każde użycie	Co miesiąc	Co sezon
Przeprowadzenie ogólnego przeglądu	X		
Oczyszczyć pokrywę przekładni. Upewnić się, że do silnika nie przedostała się trawa.	X		
Sprawdzić zabezpieczenie przed niepożądanym uruchomieniem.*	X		
Sprawdzić, czy urządzenia zabezpieczające są sprawne.*	X		
Sprawdzić pojemnik na trawę pod kątem zużycia.	X		
Kontrola osprzętu tnącego	X		
Sprawdzanie osłony cięcia*	X		
Sprawdzić uchwyt hamulca silnika.*	X		
Sprawdzić, czy przycisk WŁ./WYŁ. działa poprawnie i jest sprawny.	X		
Sprawdzić akumulator pod kątem uszkodzeń.	X		
Sprawdzić naładowanie akumulatora.	X		
Sprawdzić, czy przyciski zwalniające akumulator działają prawidłowo oraz czy blokują go na miejscu w urządzeniu.	X		
Oczyszczyć wloty powietrza. Sprawdzić, czy do wlotów powietrza nie przedostały się brud lub trawa.	X		
Sprawdzić, czy ładowarka nie jest uszkodzona oraz czy działa prawidłowo.		X	
Sprawdzić połączenia pomiędzy akumulatorem a urządzeniem. Sprawdzić również połączenie pomiędzy akumulatorem a ładowarką.			X

## Przegląd ogólny

- Należy upewnić się, że nakrętki i śruby maszyny są dokręcone.
- Upewnić się, że przewody urządzenia nie znajdują się w położeniu, w którym mogłyby ulec uszkodzeniu.

## Wymiana ostrza

- Zablokować ostrze przy użyciu drewnianego bloku. (Rys. 61)
- Wykręcić śrubę ostrza, wyjąć podkładkę sprężynową i ostrze. (Rys. 62)
- Skontrolować wspornik ostrza oraz śrubę ostrza pod kątem uszkodzeń.
  - Podczas wymiany ostrza lub wspornika ostrza należy również wymienić śrubę ostrza, podkładkę sprężynową i podkładkę cierną.
- Skontrolować wał silnika, aby upewnić się, że nie jest zgięty.

- Podczas mocowania nowego ostrza należy skierować zakrzywione końce ostrza ku osłonie modułu tnącego. (Rys. 63)
- Umieścić podkładkę cierną i ostrze tak, aby dotykały wspornika ostrza. (Rys. 64)
- Upewnić się, że ostrze jest wyrównane względem środka wału silnika. (Rys. 65)
- Zablokować ostrze przy użyciu drewnianego bloku. (Rys. 66)
- Zamocować podkładkę sprężynową i dokręcić śrubę momentem dokręcania wynoszącym 65-75 Nm. (Rys. 67)
- Obracać ostrzem za pomocą ręki i sprawdzić, czy obraca się swobodnie.



**OSTRZEŻENIE:** Stosować rękawice ochronne. Ostrze jest bardzo ostre i może łatwo doprowadzić do skaleczenia.

- Uruchomić maszynę w celu przetestowania ostrza. Jeśli ostrze nie zostało zamontowane prawidłowo,

maszyna będzie wibrować lub rezultaty koszenia będą niezadowolające.

## Czyszczenie produktu

- Plastikowe części należy czyścić czystą i suchą ściereczką.
- Do czyszczenia urządzenia nie należy używać wody. Woda mogłaby dostać się do akumulatora lub silnika i wywołać zwarcie lub uszkodzenie urządzenia.
- Nie używać myjek wysokociśnieniowych do czyszczenia urządzenia.
- Nie polewać silnika bezpośrednio wodą.
- W celu usunięcia liści, trawy i brudu należy użyć szczotki.

## Czyszczenie akumulatora i ładowarki



**UWAGA:** Do czyszczenia akumulatora ani ładowarki nie należy używać wody.

- Przed włożeniem akumulatora do ładowarki należy sprawdzić, czy akumulator i ładowarka są czyste i suche.
- Zaciski akumulatora należy czyścić sprężonym powietrzem lub miękką i suchą szmatką.
- Powierzchnie akumulatora i ładowarki należy czyścić miękką i suchą szmatką.

## Kontrola osprzętu tnącego



**OSTRZEŻENIE:** Aby uniknąć niezamierzonego uruchomienia, należy wyjąć klucz, wymontować akumulator i odczekać przynajmniej 5 s.



**OSTRZEŻENIE:** W trakcie konserwacji narzędzi tnących należy korzystać z rękawic ochronnych. Ostrze jest bardzo ostre i może łatwo doprowadzić do skaleczenia.

1. Należy skontrolować, czy osprzęt tnący nie jest uszkodzony bądź pęknięty. Zawsze wymieniać uszkodzony osprzęt tnący.
2. Obejrzeć ostrze i upewnić się, że nie jest uszkodzone lub stępione.

**Uwaga:** Po ostrzeniu ostrze należy wypoziomować. Ostrzenie, wymiana i poziomowanie ostrza winno zostać przeprowadzone przez centrum serwisowe. W przypadku uderzenia w przeszkodę, która zatrzymuje maszynę, należy wymienić uszkodzone ostrze. Pozwolić, aby przedstawiciel serwisowy oszacował, czy ostrze można naostrzyć czy wymienić.

## Rozwiązywanie problemów

### Akumulator

Dioda na akumulatorze	Możliwe usterki	Możliwe działania
Miga zielona dioda	Napięcie akumulatora jest niskie	Naładuj akumulator. Patrz <i>Ładowanie akumulatora na stronie 391</i> .
Miga dioda błędu	Akumulator jest słaby	Naładuj akumulator. Patrz <i>Akumulator na stronie 394</i> .
	Temperatura środowiska pracy jest zbyt wysoka lub zbyt niska	Akumulator można użytkować w zakresie temperatur od -10°C do 40°C.
	Przepięcie	Sprawdzić, czy napięcie sieciowe jest takie, jak podano na tabliczce znamionowej na urządzeniu.  Akumulator należy wyjąć z ładowarki. Odczekać 5 s i spróbować ponownie naładować akumulator. Jeśli problem utrzymuje się, skontaktować się z autoryzowanym punktem serwisowym.
Dioda błędu jest włączona	Zbyt wysoka różnica między ogniwa- mi (1 V).	Skontaktować się z autoryzowanym punktem serwisowym.

## Ładowarka

Dioda na ładowarce	Możliwe usterki	Możliwe działania
Miga dioda błędu	Temperatura środowiska pracy jest zbyt wysoka lub zbyt niska	Ładowarkę akumulatora można użytkować w zakresie temperatur od 5°C do 40°C.
Dioda błędu jest włączona		Skontaktować się z autoryzowanym punktem serwisowym

## Panel sterowania

Kod błędu (liczba błysków)	Możliwe usterki	Możliwe działania
1	Silnika przekładniowy jest zbyt gorący.	Pozwolić, aby urządzenie ostygło. Upewnić się, że trawa nie przedostała się do przekładni. W razie konieczności oczyścić pokrywę przekładni.
5	Prędkość obrotowa silnika spada zbyt mocno i silnik wyłącza się.	Wyczyścić zespół tnący i zwiększyć wysokość koszenia. Więcej informacji znajduje się w <i>Regulacja wysokości koszenia na stronie 390</i> . Jeśli problem utrzymuje się, skontaktować się z warsztatem obsługi technicznej.
8	Akumulator jest słaby.	Naładować akumulator. Patrz <i>Ładowanie akumulatora na stronie 391</i> .
9	Błąd akumulatora lub brak sygnału z akumulatora.	Prawidłowo umieścić akumulator w urządzeniu i sprawdzić złącze akumulatora. Jeśli miga dioda LED błędu na akumulatorze, patrz <i>Akumulator na stronie 391</i> .
10	Sterownik silnika jest zbyt gorący.	Wyłączyć silnik i poczekać, aż ostygnie.
Inne błędy	W przypadku wystąpienia innego błędu wyjąć kluczyk bezpieczeństwa oraz akumulator i skontaktować się z autoryzowanym warsztatem obsługi technicznej.	

## Transport, przechowywanie i utylizacja

### Wstęp



**OSTRZEŻENIE:** Aby uniknąć niezamierzonego uruchomienia w trakcie transportu, należy wyjąć kluczyk bezpieczeństwa, wymontować akumulator i odczekać przynajmniej 5 s.

### Ustawianie produktu w pozycji transportowej (LC 551iV)

1. Poluzować dolne pokręta.
2. Przesunąć pokręta do dolnych końców rowków po lewej i prawej stronie produktu. (Rys. 31)
3. Złożyć rękojeść do przodu. (Rys. 68)
4. Wymontować pojemnik na trawę.

### Transport

- Przepisy dotyczące towarów niebezpiecznych mają zastosowanie do dołączonych akumulatorów litowo-jonowych.
- W przypadku transportu komercyjnego należy przestrzegać specjalnych wymagań umieszczonych na opakowaniu i etykietach.
- W trakcie przygotowywania urządzenia do transportu należy upewnić się, że postępuje się zgodnie z przepisami dotyczącymi materiałów niebezpiecznych. Mogą obowiązywać również lokalne przepisy.
- Zawsze wyjmować akumulator na czas transportu.
- Na złączach akumulatora należy przykleić taśmę i upewnić się, że akumulator nie może się przemieszczać w trakcie transportu.
- W trakcie transportu urządzenie należy zamocować.

## Przechowywanie

- Zawsze wyjmować akumulator do przechowania.
- Aby uniknąć wypadków, upewnić się, że akumulator jest odłączony od produktu podczas przechowywania.
- Akumulator należy trzymać w zamkniętym i suchym miejscu.
- Akumulator i ładowarkę należy trzymać w suchym miejscu, w którym nie występuje wilgoć ani mróz.
- Na czas przechowywania odłączyć akumulator od ładowarki.
- Nie przechowywać akumulatora w miejscu, gdzie może występować elektryczność statyczna. Nie przechowywać akumulatora w metalowym pojemniku.
- Akumulator należy przechowywać w temperaturze od 5°C do 25°C, w miejscu osłoniętym przed działaniem promieni słonecznych.
- Ładowarkę należy przechowywać w temperaturze od 5°C do 45°C, w miejscu osłoniętym przed działaniem promieni słonecznych.
- Przed odstawieniem urządzenia na dłuższe przechowywanie należy upewnić się, że poziom naładowania akumulatora wynosi 30%–50%.

- Urządzenie, akumulator i ładowarkę należy trzymać w zamkniętym pomieszczeniu, niedostępnym dla dzieci ani osób nieupoważnionych.
- Przed odstawieniem urządzenia na dłuższe przechowywanie należy je wyczyścić oraz przeprowadzić pełny przegląd.

## Utylizacja

Symboly znajdujące się na urządzeniu oraz na opakowaniu informują o tym, że nie wolno traktować go jak zwykłego odpadu domowego. Musi ono zostać oddane do odpowiedniego punktu pobierania surowców wtórnych, zajmującego się przetwarzaniem urządzeń elektrycznych oraz elektronicznych.

Przekazując produkt w odpowiednie miejsce, pomagasz przeciwdziałać jego potencjalnemu negatywnemu wpływowi na środowisko naturalne i ludzi. Aby uzyskać więcej informacji na temat recyklingu niniejszego produktu, skontaktować się z urzędem miasta lub gminy, przedsiębiorstwem gospodarki komunalnej albo punktem sprzedaży, w którym produkt został kupiony.

(Rys. 69)

## Dane techniczne

### Dane techniczne

	LB 548i	LC 551iV
<b>Napęd noży</b>		
Typ silnika	BLDC (bezszcotkowy) 36 V	BLDC (bezszcotkowy) 36 V
Prędkość silnika – SavE, obr./min*	2600	2600
Prędkość silnika – nominalna, obr./min*	3000	3000
Prędkość silnika – duże obciążenie, obr./min*	3300	3300
Moc silnika – maks., kW	1,8	1,8
Moc silnika – nominalna, kW	1,5	1,5
<b>Silnik napędowy</b>		
Moc silnika – nominalna, kW	ND.	0,3
Prędkość chodu, km/h	ND.	3,0-5,0
Poziomy regulacji prędkości	ND.	4
<b>Waga</b>		
Ciężar bez akumulatora (kg)	31	41
<b>Akumulator</b>		
Typ akumulatora	Akumulatory z serii Husq-varna	Akumulatory z serii Husq-varna



	LB 548i	LC 551iV
<b>Czas pracy na akumulatorze</b>		
Czas pracy akumulatora, min. (swobodna praca) z aktywną funkcją SavE, z jednym akumulatorem Husqvarna 5,2 Ah (BLi200).	40	30
Czas pracy akumulatora, min. (swobodna praca) w trybie standardowym, z jednym akumulatorem Husqvarna 5,2 Ah (BLi200).	30	20
<b>Poziom hałasu</b> <sup>55</sup>		
Zmierzony poziom mocy akustycznej, w dB(A)	93	97
Poziom głośności, gwarantowana moc akustyczna [L <sub>WA</sub> dB(A)]	93	97
<b>Poziomy głośności</b> <sup>56</sup>		
Poziom ciśnienia akustycznego przy uchu operatora, dB(A)	80	84
<b>Poziomy drgań</b> <sup>57</sup>		
Uchwyt, m/s <sup>2</sup>	0,3	0,3
<b>Osprzęt tnący</b>		
Wysokość cięcia, mm	20-75	20-75
Szerokość koszenia, cm	48	51
Standardowe ostrze	Ostrze mulczujące 597466510	Ostrze zbierające 597466310
Dodatkowe ostrze	ND.	Ostrze mulczujące 597466410
Pojemność zbiornika na trawę, l	ND.	65

\* Obroty na minutę

Zatwierdzone akumulatory	Typ	Pojemność akumulatora, Ah	Napięcie, V	Masa, funty/kg
BLi20	Litowo-jonowy	4,0	36	2,6/1,2
BLi200	Litowo-jonowy	5,2	36	2,8/1,3
BLi300	Litowo-jonowy	9,4	36	4,1/1,9
BLi550X	Litowo jonowy	15,6	36	12,4/5,6
BLi950X	Litowo jonowy	31,1	36	15,4/7,0

<sup>55</sup> Emisję hałasu do otoczenia zmierzono jako moc akustyczną (L<sub>WA</sub>), zgodnie z dyrektywą WE 2000/14/WE.

<sup>56</sup> Odnotowane dane dla ciśnienia akustycznego mają typowe rozproszenie statystyczne (odchylenie standardowe) w wysokości 1,2 dB (A).

<sup>57</sup> Odnotowane dane dla poziomu drgań mają typowe rozproszenie statystyczne (odchylenie standardowe) w wysokości 0,2 m/s<sup>2</sup>. Norma dot. drgań EN 60335-2-77:2017, rozdział 20.105

Zatwierdzone ładowarki obsługujące określone akumulatory, BLi	Napięcie wejściowe, V	Częstotliwość, Hz	Moc, W
QC80	100-240	50-60	80
QC80F	12	0	80
QC330	100-240	50-60	330
QC500	100-240	50-60	500

**KEES VAN DER SPEK**  
 TUINMACHINES ★ STOLWIJK

---

## Deklaracja zgodności WE

---

### Deklaracja zgodności WE

**Husqvarna AB**, SE-561 82 Huskvarna, Szwecja, tel.: +46-36-146500, oświadcza, że **kosiarka Husqvarna LB 548i, LC 551iV**, począwszy od roku 2019, są zgodne z przepisami zawartymi w DYREKTYWIE RADY

- z dnia 8 czerwca 2011 roku, „dotyczącej ograniczenia użycia określonych substancji niebezpiecznych” **2011/65/UE**.
- z 17 maja 2006 r. „dotyczącej maszyn” **2006/42/WE**
- z 26 lutego 2014 roku, „dotyczącej kompatybilności elektromagnetycznej” **2014/30/UE**
- z 8 maja 2000 roku, „dotyczącej emisji hałasu do otoczenia” **2000/14/WE**

Informacje dotyczące emisji hałasu podano w rozdziale „Dane techniczne”.

Zostały zastosowane następujące normy:

**IEC 60335-1:2010, IEC 60335-2-77:2002, EN 60335-1:2012, EN 60335-2-77:2010 EN/IEC 62233:2008 EN 61000-6-3:2005 EN 61000-6-1:2005**

Jeśli nie podano inaczej, wymienione powyżej normy to najnowsze opublikowane wersje.

Jednostka notyfikowana: **0404, RISE SMP Svensk Maskinprovning AB, Box 7035, SE-750 07 Uppsala** przeprowadziła ocenę zgodności zgodnie z załącznikiem VI dyrektywy 2000/14/WE i wystawiła certyfikat o numerze: 01/901/324 (LB 548i), 01/901/323 (LC 551iV)

Huskvarna, 2020-01-20



Claes Losdal, menedżer ds. rozwoju/produkty ogrodowe (autoryzowany przedstawiciel Husqvarna AB oraz osoba odpowiedzialna za dokumentację techniczną)

---

# ÍNDICE

---

Introdução.....	400	Resolução de problemas.....	415
Segurança.....	402	Transporte, armazenamento e eliminação.....	417
Montagem.....	410	Especificações técnicas.....	417
Funcionamento.....	411	Declaração CE de conformidade.....	420
Manutenção.....	414		

---

## Introdução

---

### Descrição do produto

O produto é um corta-relva giratório de controlo apeado. O modelo LB 548i utiliza o BioClip para cortar a relva e torná-la fertilizante.

O modelo LC 551iV recolhe a relva num coletor de relva. Remova o coletor de relva para recolher a

### Vista geral do produto

(Fig. 1)

1. Painel de controlo
2. Manípulo de travão do motor
3. Inibidor de arranque
4. Coletor de relva (LC 551iV)
5. Cobertura traseira (LC 551iV)
6. Chave de segurança
7. Botão do punho (LC 551iV)
8. Alavanca de ajuste do punho (LB 548i)
9. Cobertura da bateria
10. Controlo da altura de corte (LC 551iV)
11. Botão ON/OFF
12. Botão Save (economia)
13. Indicador Save
14. Indicador da bateria
15. Indicador do nível de velocidade
16. Botão de diminuição da velocidade
17. Botão de aumento de velocidade
18. LED de erro
19. Cobertura de corte
20. Admissões de ar
21. Placa de tipo
22. Manípulo de direção (LC 551iV)
23. Carregador da bateria (acessório)
24. Bateria (acessório)
25. Bateria múltipla (acessório)
26. Placa adaptadora (acessório)
27. Adaptador da bateria múltipla (acessório)
28. Manual do utilizador

descarga traseira da relva. Preencha um kit de trituração (acessório) para cortar a relva e torná-la fertilizante.

### Finalidade

Utilize o produto para cortar relva em jardins privados. Não utilize o produto para outras tarefas.

### Símbolos no produto

(Fig. 2)

**AVISO:** Este produto pode ser perigoso e provocar ferimentos graves ou a morte do operador ou de terceiros. Seja cuidadoso e utilize o produto corretamente.

(Fig. 3)

Leia o manual do operador com atenção e certifique-se de que compreende as instruções antes de utilizar este produto.

(Fig. 4)

Mantenha as pessoas e os animais a uma distância de segurança da área de trabalho.

- (Fig. 5) Tenha cuidado com objetos projetados e ricochetes.
- (Fig. 6) Aviso: Mantenha as mãos e os pés afastados da lâmina rotativa.
- (Fig. 7) Aviso: Mantenha as mãos e os pés afastados das peças rotativas.
- (Fig. 8) Retire a chave de segurança antes de efetuar trabalhos de reparação ou manutenção.
- (Fig. 9) **Marca ambiental.** O produto ou a respetiva embalagem não são resíduos domésticos. Recicle-os numa localização de eliminação aprovada para equipamentos elétricos e eletrónicos.
- (Fig. 10) O produto está em conformidade com as diretivas CE aplicáveis.
- (Fig. 11) O produto está em conformidade com as diretivas da União Aduaneira Eurasiática aplicáveis.
- (Fig. 12) O produto está em conformidade com as

diretivas UkrSEPRO aplicáveis.

- (Fig. 13) O produto está em conformidade com as diretivas RCM aplicáveis. Aplica-se apenas à AU/NZ

(Fig. 14) As emissões de ruído para o meio ambiente estão em conformidade com as diretivas CE aplicáveis. As emissões de ruído do produto são indicadas em *Especificações técnicas* na página 417 e no autocolante.

**IPX4** Protegido contra salpicos de água.  
**IPX4**

- (Fig. 19) Procedimento de arranque: prima o botão ON/OFF, desaperte o inibidor de arranque e empurre o punho do travão do motor para baixo.

(Fig. 15) Solte o manípulo de travão do motor para parar.

(Fig. 16) Lento

(Fig. 17) Rápido

(Fig. 18) Código para leitura

---

**Nota:** Os restantes símbolos/autocolantes existentes no produto dizem respeito às exigências de homologação de alguns países.

---

## Etiqueta no produto

(Fig. 20)

Mantenha as mãos e os pés afastados das lâminas rotativas.

## Responsabilidade pelo produto

Como referido nas leis de responsabilidade pelo produto, não somos responsáveis por danos causados pelo nosso produto se:

- o produto tiver sido incorretamente reparado.
- o produto tiver sido reparado com peças que não sejam do fabricante ou que não sejam aprovadas pelo fabricante.

- o produto tiver um acessório que não seja do fabricante ou que não seja aprovado pelo fabricante.
- o produto não tiver sido reparado por um centro de assistência autorizado ou por uma autoridade aprovada.

---

## Segurança

---

### Definições de segurança

Os avisos, as precauções e as notas são utilizados para indicar partes especialmente importantes do manual.



**ATENÇÃO:** Utilizado no caso de existir risco de ferimento ou morte para o utilizador ou transeuntes, se não forem respeitadas as instruções do manual.



**CUIDADO:** Utilizado se existir risco de danos para o produto, para outros materiais ou para a área adjacente, se não forem respeitadas as instruções do manual.

**Nota:** Utilizado para disponibilizar informações adicionais necessárias numa determinada situação.

### Instruções de segurança gerais

---



**ATENÇÃO:** Leia as instruções de aviso que se seguem antes de utilizar o produto.

- Este produto é perigoso se for utilizado de forma incorreta ou se não o utilizador for cuidadoso. Podem ocorrer ferimentos graves ou mesmo morte se as instruções de segurança não forem respeitadas.
- Este produto produz um campo eletromagnético durante o funcionamento. Em determinadas circunstâncias, este campo pode interferir com o funcionamento de implantes médicos ativos ou passivos. Para diminuir o risco de ferimentos graves ou mortais, recomendamos que os portadores de implantes médicos consultem o seu médico e o fabricante do

implante antes de utilizar este produto.

- Seja sempre cuidadoso e use o seu senso comum. Se não tiver a certeza sobre como utilizar o produto numa situação especial, pare e fale com o seu revendedor Husqvarna antes de continuar.
- Tenha em atenção que o utilizador é responsável pelos acidentes que incluam outras pessoas ou a respetiva propriedade.
- Mantenha o produto limpo. Certifique-se de que pode ler claramente os sinais e os autocolantes.
- Não permita a utilização do equipamento por crianças ou pessoas não familiarizadas com estas instruções. As normas locais podem restringir a idade do utilizador
- Monitorize sempre a utilização do produto por pessoas com diminuição da capacidade física ou mental. Tem de estar sempre presente um adulto responsável.
- Não utilize o produto se estiver cansado, doente ou sob a influência de álcool, drogas ou medicamentos. Estes têm um efeito negativo na sua visão, atenção,

capacidade de discernimento ou controlo físico.

- Não utilize o produto se este apresentar algum defeito.
- Não altere este produto e não o utilize se houver a possibilidade de ter sido alterado por outros.

## Segurança no local de trabalho

---



**ATENÇÃO:** Leia as instruções de aviso que se seguem antes de utilizar o produto.

---

- Retire objetos como ramos, galhos e pedras da área de trabalho antes de utilizar o produto.
- Os objetos que embatem no equipamento de corte podem ser projetados e causar danos a pessoas e objetos. Mantenha terceiros e animais a uma distância de segurança do produto.
- Nunca utilize o produto em más condições meteorológicas, como nevoeiro, chuva, ventos fortes, frio intenso e risco de trovoada. A utilização do produto em más condições meteorológicas ou em localizações molhadas ou com humidade é cansativa. As más

condições meteorológicas podem causar condições perigosas, como superfícies escorregadias.

- Observe se há pessoas, objetos e situações que possam impedir o funcionamento seguro do produto.
- Observe se há obstáculos como raízes, pedras, ramos, buracos e valas. A relva longa pode ocultar obstáculos.
- Cortar relva em declives pode ser perigoso. Não corte a relva em declives demasiado íngremes. Não utilize o produto em terrenos com um declive superior a 15°.
- Tenha muito cuidado ao mudar de direção em declives. Utilize o produto ao longo da face dos declives. Não se desloque para cima e para baixo.
- Tenha cuidado ao aproximar-se de esquinas com pouca visibilidade e de objetos que possam impedir uma boa visibilidade.

## Segurança do trabalho



**ATENÇÃO:** Leia as instruções de aviso que se seguem antes de utilizar o produto.

- Utilize este produto apenas para cortar relva. Não é permitido utilizá-lo para outras tarefas.
- Use equipamento de proteção pessoal. Consulte *Equipamento de proteção pessoal na página 405*.
- Certifique-se de que sabe como desligar o motor rapidamente em caso de emergência.
- Não utilize o produto em condições de chuva ou de humidade. O risco de choque elétrico aumenta se entrar água no produto.
- Não utilize o produto, a menos que a lâmina e todas as coberturas estejam corretamente montadas. Uma lâmina montada incorretamente pode soltar-se e causar ferimentos pessoais.
- Certifique-se de que a lâmina não atinge objetos como pedras e raízes. Isto pode causar danos à lâmina e dobrar o eixo do motor. Um eixo dobrado provoca fortes vibrações e um elevado risco de a lâmina se soltar.
- Se a lâmina atingir um objeto ou ocorrerem vibrações, pare o produto imediatamente. Desligue o motor, puxe a



- chave de segurança para cima e retire a bateria. Examine se o produto apresenta sinais de danos. Repare os danos ou solicite a reparação numa oficina autorizada.
- Nunca ligue o manípulo de travão do motor de modo permanente ao punho durante o arranque do motor.
  - Coloque o produto numa superfície estável e plana e ligue-o. Certifique-se de que a lâmina não atinge o solo ou outros objetos.
  - Mantenha-se sempre por trás do produto quando o operar.
  - Mantenha todas as rodas no chão e as duas mãos sobre o punho quando utilizar o produto. Mantenha as mãos e os pés afastados das lâminas rotativas.
  - Não incline o produto quanto ligar o motor.
  - Tenha cuidado quando puxar o produto para trás.
  - Nunca levante o produto quando ligar o motor. Se tiver de levantar o produto, desligue primeiro o motor, puxe a chave de segurança e retire a bateria.
  - Não caminhe para trás quando operar o produto.
- Desligue o motor quando se deslocar em zonas sem relva, por exemplo caminhos de gravilha, pedra e asfalto.
  - Não corra com o produto quando o motor está ligado. Caminhe sempre que operar o produto.
  - Pare o motor antes de mudar a altura de corte. Nunca efetue ajustes com o motor ligado.
  - Nunca deixe o produto fora de vista com o motor ligado. Pare o motor e certifique-se de que o equipamento de corte não roda.

Instruções de segurança para funcionamento

### Equipamento de proteção pessoal



**ATENÇÃO:** Leia as instruções de aviso que se seguem antes de utilizar o produto.

---

- O equipamento de proteção pessoal não previne totalmente os ferimentos mas diminui a respetiva gravidade em caso de acidente. Obtenha ajuda junto do seu concessionário para selecionar o equipamento certo.

- Use botas ou sapatos antiderrapantes resistentes. Não use calçado aberto nem ande com os pés descalços.
- Use calças compridas e resistentes.
- Use luvas de proteção sempre que necessário, por exemplo, ao fixar, examinar ou limpar o equipamento de corte.

## Dispositivos de segurança no produto



**ATENÇÃO:** Leia as instruções de aviso que se seguem antes de utilizar o produto.

- Não utilize o produto com dispositivos de segurança defeituosos.
- Verifique regularmente os dispositivos de segurança. Se os dispositivos de segurança estiverem defeituosos, fale com a sua oficina Husqvarna autorizada.

## Verificar a cobertura de corte

A cobertura de corte reduz as vibrações no produto e o risco de ferimentos causados pela lâmina.

- Examine a cobertura de corte para se certificar de que não

existem danos, como fissuras.

## Chave de segurança

A chave de segurança encontra-se por baixo da tampa da bateria. A chave de segurança liga a bateria que alimenta o motor.

## Verificar a chave de segurança

A chave de segurança liga a bateria que alimenta o motor.

- Ligue e desligue o motor. Se a chave de segurança funcionar corretamente, o motor só arranca quando a chave se encontra no bloqueio de segurança.

## Manípulo de travão do motor

O manípulo de travão do motor para o motor. Quando soltar o manípulo de travão do motor, o motor para.

Para verificar o funcionamento do travão do motor, ligue o motor e, em seguida, solte manípulo do travão do motor. Se o motor não parar em 3 segundos, solicite o ajuste do travão do motor numa oficina Husqvarna autorizada.

(Fig. 21)

## Verificar o inibidor de arranque

Verifique o inibidor de arranque para se certificar de que este impede o funcionamento do motor.

1. Empurre o manípulo de travão do motor no sentido da barra de direção. O inibidor de arranque para o movimento.
2. Empurre o inibidor de arranque para fora. (Fig. 22)
3. Solte o inibidor de arranque e certifique-se de que este volta à respetiva posição inicial.

## Segurança da bateria



**ATENÇÃO:** Leia as instruções de aviso que se seguem antes de utilizar o produto.

- Risco de choque elétrico. Não ligue os terminais da bateria a chaves, moedas, parafusos ou outros metais. Caso contrário, pode provocar um curto-circuito da bateria.
  - Não coloque objetos nas aberturas de ventilação da bateria.
  - Mantenha a bateria afastada do sol, calor ou de chamas abertas. A bateria pode explodir e causar queimaduras e/ou queimaduras químicas.
  - Mantenha a bateria afastada de chuva e condições de humidade.
  - Mantenha a bateria afastada de micro-ondas e alta pressão.
  - Não tente desmontar ou partir a bateria.
  - Em caso de fuga da bateria, evite o contacto do líquido com a pele ou com os olhos. Em caso de contacto com o líquido, limpe a área com água abundante e procure assistência médica.
  - Utilize a bateria a temperaturas entre  $-10\text{ }^{\circ}\text{C}$  e  $40\text{ }^{\circ}\text{C}$ .
  - Não limpe a bateria ou o carregador com água. Consulte o capítulo *Para*
- Utilize baterias recarregáveis Husqvarna como fonte de alimentação apenas para produtos Husqvarna relacionados. Para evitar ferimentos, não utilize a bateria como fonte de alimentação para outros produtos.
  - Não utilize baterias não recarregáveis.

*limpar a bateria e o carregador da bateria na página 415.*

- Não utilize uma bateria danificada ou com defeito.
- Mantenha as baterias armazenadas afastadas de objetos metálicos como, por exemplo, pregos, moedas, joias.

## Segurança do carregador de bateria



**ATENÇÃO:** Leia as instruções de aviso que se seguem antes de utilizar o produto.

---

- Utilize carregadores de bateria QC para carregar apenas baterias de substituição Husqvarna.
- Risco de choque elétrico ou curto-circuito. Não coloque objetos nas aberturas de ventilação do carregador. Não tente desmontar o carregador da bateria. Não ligue os terminais do carregador a objetos metálicos. Utilize uma tomada elétrica aprovada.
- Este produto produz um campo eletromagnético durante o funcionamento. Em determinadas circunstâncias, este campo pode interferir com o funcionamento de

implantes médicos ativos ou passivos. Para diminuir o risco de condições que podem causar ferimentos ou morte, recomendamos que os portadores de implantes médicos consultem o seu médico e o fabricante do implante antes de utilizar este produto.

- Certifique-se regularmente de que o cabo de alimentação do carregador da bateria não está danificado nem apresenta fissuras.
- Não utilize o cabo de alimentação para levantar o carregador da bateria. Para desligar o carregador da bateria de uma tomada elétrica, puxe a ficha. Não puxe o cabo de alimentação.
- Mantenha o cabo de alimentação e os cabos de extensão afastados de água, de óleo e de arestas afiadas. Certifique-se de que o cabo não fica entalado em portas, cercas ou equivalente. Isto pode fazer com que o carregador fique sob tensão.
- Não limpe o carregador da bateria com água.
- O carregador da bateria pode ser utilizado por crianças a partir dos 8 anos de idade e

por pessoas com capacidades físicas, sensoriais ou mentais reduzidas, ou falta de experiência e conhecimentos, desde que as mesmas se encontrem sob supervisão ou tenham recebido instruções acerca da utilização segura do carregador da bateria e compreendam os perigos envolvidos. As crianças não devem brincar com o carregador da bateria. As tarefas de limpeza e manutenção a cargo do utilizador não devem ser efetuadas por crianças sem a devida supervisão.

- Não carregue baterias não recarregáveis no carregador da bateria.
- Não utilize o carregador da bateria próximo de materiais inflamáveis ou materiais que possam provocar corrosão. Não cubra o carregador da bateria. Em caso de fumo ou fogo, desligue o carregador da bateria da tomada.
- Não utilize um carregador da bateria que esteja com defeito ou danificado.
- Carregue a bateria apenas em espaços interiores com boa ventilação e sem exposição à luz solar. Não carregue a

bateria em condições de humidade.

## Instruções de segurança para manutenção

---



**ATENÇÃO:** Leia as instruções de aviso que se seguem antes de utilizar o produto.

---

- Retire a chave de segurança antes de efetuar a manutenção do produto.
- Efetue os trabalhos de manutenção corretamente para aumentar a vida útil do produto e reduzir o risco de acidentes. Solicite a realização de reparações profissionais numa oficina autorizada. Para mais informações, contacte a sua oficina autorizada.
- Efetue apenas os trabalhos de manutenção indicados neste manual do operador.
- Calce luvas resistentes quando utilizar o equipamento de corte. A lâmina é muito afiada e pode facilmente provocar cortes.
- Mantenha as extremidades cortantes afiadas e limpas para garantir um desempenho melhor e mais seguro.

- Solicite à sua oficina autorizada a inspeção regular do produto e a realização dos ajustes e reparações necessários.
- Substitua as peças danificadas, gastas ou partidas.
- Cumpra as instruções relativas à substituição dos acessórios. Utilize apenas os acessórios do fabricante.
- Quando não estiverem em funcionamento, mantenha o produto, a bateria e carregador da bateria afastados num local seco, interior e fechado à chave. Certifique-se de que as crianças e as pessoas não autorizadas não conseguem ter acesso ao produto, à bateria ou ao carregador da bateria.

---

## Montagem

---

### Introdução



**ATENÇÃO:** Certifique-se de que lê e compreende o capítulo sobre segurança antes de montar o produto.

### Instalar e retirar a bateria múltipla (acessório)

1. Retire as 4 coberturas de borracha e os 4 parafusos da cobertura do motor. (Fig. 23)
2. Coloque a placa adaptadora na cobertura do motor.
3. Fixe a placa adaptadora com os 4 parafusos fornecidos com um binário entre 5 e 6 Nm. (Fig. 24)
4. Abra a cobertura da bateria.
5. Retire a bateria da ranhura 1. (Fig. 25)
6. Retire o batente do vedante. (Fig. 26)
7. Empurre o adaptador da bateria para o interior do compartimento da bateria até ouvir um clique. (Fig. 27)
8. Insira o cabo do adaptador da bateria através do orifício do batente do vedante. Fixe o cabo com o grampo. (Fig. 28)
9. Instale a bateria múltipla no adaptador da bateria.
10. Ligue a bateria múltipla ao adaptador da bateria. (Fig. 29)
11. Prenda o cabo do adaptador da bateria ao punho com as 3 tiras de tecido. (Fig. 30)
12. Retire a bateria múltipla na sequência inversa.



**ATENÇÃO:** Ao prender o cabo, certifique-se de está bem fixo ao punho. O cabo pode sair do punho e provocar ferimentos.

### Montar o punho (LC 551iV)

1. Desaperte os manipuladores inferiores.
2. Desloque os botões para a extremidade inferior das ranhuras, dos lados esquerdo e direito do produto. (Fig. 31)
3. Defina a altura do punho para uma das 2 posições disponíveis.
4. Desloque os botões para cima em direção ao punho, até pararem e ouvir um clique. (Fig. 32)
5. Aperte os botões totalmente.

### Montar o punho (LB 548i)

1. Remova a arruela e a porca do punho da placa do punho superior.
2. Coloque o punho superior na devida posição na parte superior do punho inferior.



**CUIDADO:** Certifique-se de que os fios não estão presos ou danificados.

3. Fixe a arruela e a alavanca de ajuste do punho. (Fig. 33)
4. Rode o punho para o lado, para uma boa posição de funcionamento quando utilizar o produto perto de uma parede. (Fig. 34)

### Montar o coletor de relva (LC 551iV)

1. Coloque a estrutura do coletor de relva no saco de relva com a parte rígida do saco no fundo. Mantenha o punho da estrutura na parte superior do saco de relva. (Fig. 35)
2. Fixe a secção inferior da estrutura do coletor de relva na ranhura da parte inferior do mesmo.

3. Fixe o saco de relva na estrutura do coletor de relva com os grampos. (Fig. 36)
4. Levante a cobertura traseira.
5. Prenda o coletor de relva à extremidade superior do chassi.
6. Coloque a parte inferior do coletor de relva no canal de descarga da relva. (Fig. 37)
2. Coloque o tampão de trituração no canal de descarga. (Fig. 38)
3. Substitua a lâmina pela lâmina de trituração incluída no kit de trituração. Consulte *Para substituir a lâmina na página 414*.

## Montar o tampão de trituração (acessório LC 551IV)

1. Levante a cobertura traseira e retire o coletor de relva.

---

## Funcionamento

---

### Introdução



**ATENÇÃO:** Antes de utilizar o produto, tem ler e compreender o capítulo sobre segurança.

### Husqvarna Connect

A Husqvarna Connect é uma aplicação gratuita para o seu dispositivo móvel. A aplicação Husqvarna Connect disponibiliza funções alargadas para o seu produto Husqvarna:

- Informações alargadas sobre o produto.
- Informações sobre, e ajuda relacionada com peças e manutenção do produto.

### Começar a utilizar Husqvarna Connect

1. Transfira a aplicação Husqvarna Connect para o seu dispositivo móvel.
2. Registe-se na aplicação Husqvarna Connect.
3. Siga os passos das instruções na aplicação Husqvarna Connect para ligar e registar o produto.

### Husqvarna Fleet Services™

O Husqvarna Fleet Services™ é uma solução em nuvem que fornece ao gestor de frotas comerciais uma visão geral de todos os produtos. O Husqvarna Fleet Services™ está incluído no LC 551IV. Para obter mais informações sobre o Husqvarna Fleet Services™, consulte [www.husqvarna.com](http://www.husqvarna.com).

### Preparar o sensor (acessório)

1. Utilize a tecla do sensor para abrir a tampa do sensor. (Fig. 39)
2. Remova o sensor.
3. Ligue a bateria ao sensor. A luz LED do sensor acende-se. (Fig. 40)
4. Transfira a aplicação Husqvarna Fleet Services™ .
5. Inicie sessão na aplicação Husqvarna Fleet Services™ .

6. Efetue uma operação de emparelhamento. Consulte *Efetuar uma operação de emparelhamento entre a aplicação e o produto na página 411*

### Efetuar uma operação de emparelhamento entre a aplicação e o produto

1. Inicie sessão na aplicação Husqvarna Fleet Services™ .
2. Selecione o seu produto na aplicação.
3. Digitalize o código que se encontra por trás do sensor com o seu dispositivo móvel para instalar o sensor na aplicação.

**Nota:** Só é necessário efetuar uma operação de emparelhamento entre a aplicação e o produto uma vez.

### Instalar o sensor

1. Certifique-se de que o sensor está ligado à aplicação Husqvarna Fleet Services™ . Consulte *Efetuar uma operação de emparelhamento entre a aplicação e o produto na página 411*.
2. Perfure 2 orifícios de acordo com as marcas na ranhura do invólucro. (Fig. 41)

**Nota:** Certifique-se de que os orifícios têm a mesma dimensão dos rebites fornecidos com o sensor.

3. Utilize um alicate para remover os orifícios exteriores da ranhura do sensor. (Fig. 42)
4. Perfure 2 orifícios de acordo com as marcas na ranhura do sensor. (Fig. 43)
5. Alinhe a ranhura do sensor com a ranhura do invólucro. (Fig. 44)
6. Fixe a ranhura do sensor com os rebites.
7. Instale o sensor na ranhura do sensor. Alinhe a marca branca no sensor com a marca na ranhura do sensor. (Fig. 45)
8. Feche a tampa do sensor e bloqueie-a com a chave do sensor. Certifique-se de que a parte superior do

"H" de Husqvarna aponta na direção oposta à direção da chave de segurança. (Fig. 46)

## Colocar o produto na posição de funcionamento (LC 551IV)

1. Eleve o punho até à posição vertical. (Fig. 47)
2. Desloque os botões para cima em direção ao punho, até pararem e ouvir um clique. (Fig. 32)
3. Aperte os botões totalmente.

## Definir a altura de corte

A altura de corte pode ser ajustada em 6 níveis.

1. Empurre o controlo da altura de corte na direção da roda e, em seguida, para trás para aumentar a altura de corte.
2. Empurre o controlo da altura de corte na direção da roda e, em seguida, para a frente para diminuir a altura de corte. (Fig. 48)



**CUIDADO:** Não regule a altura de corte demasiado baixa. As lâminas podem entrar em contacto com o solo se a superfície do relvado não estiver nivelada.

## Bateria



**ATENÇÃO:** Antes de utilizar a bateria, tem de ler e compreender o capítulo sobre segurança. Também tem de ler e compreender o manual do operador da bateria e do carregador da bateria.

## Estado da bateria

O visor indica a capacidade restante da bateria e a existência de problemas com a mesma. A capacidade da bateria é apresentada durante 5 segundos depois de desligar o produto ou se pressionar o botão indicador da bateria. O símbolo de aviso na bateria acende-se quando ocorre um erro. Consulte o capítulo *Bateria na página 415*.

(Fig. 49)

Luzes LED	Estado da bateria
Todos os LED acesos	Carga completa (75%-100%)
LED 1, LED 2 e LED 3 acesos	A bateria tem uma carga de 50%-75%
LED 1 e LED 2 acesos	A bateria tem uma carga de 25%-50%
LED 1 aceso	A bateria tem uma carga de 0%-25%.
LED 1 intermitente	A bateria está descarregada. Carregue a bateria.

## Carregar a bateria

Carregue a bateria antes da primeira utilização. A bateria tem apenas 30% de carga quando é entregue ao cliente.

**Nota:** O carregador da bateria tem de ser ligado à tensão e à frequência especificadas na etiqueta de tipo.

A bateria não carrega se a sua temperatura for superior a 50 °C. O carregador da bateria diminui a temperatura da bateria antes de começar a carregar.

1. Ligue uma extremidade do cabo de alimentação do carregador da bateria à tomada do carregador da bateria.
2. Ligue a outra extremidade do cabo de alimentação do carregador da bateria a uma tomada elétrica com ligação à terra. O LED do carregador da bateria pisca a verde uma vez. (Fig. 50)
3. Coloque a bateria no carregador da bateria. A luz verde do carregador acende-se se a bateria estiver corretamente ligada ao carregador da bateria. (Fig. 51)
4. A bateria está totalmente carregada quando todos os LED se acenderem. Carregue a bateria no máximo durante 24 horas.
5. Para desligar o carregador da bateria da tomada, retire a ficha e não o cabo de alimentação.
6. Retire a bateria do carregador da bateria.

## Estado de carregamento da bateria

Uma bateria de íões de lítio Husqvarna pode ser carregada ou utilizada em todos os níveis de carga. A bateria não fica danificada. Uma bateria completamente carregada não perde a sua carga mesmo que seja deixada no carregador.

Ecrã LED	Estado de carga
LED 1 intermitente	0%-25%
LED 1 aceso, LED 2 intermitente	25%-50%
LED 1 e LED 2 acesos, LED 3 intermitente	50%-75%
LED 1, LED 2 e LED 3 acesos, LED 4 intermitente	75%-100%
LED 1, LED 2, LED 3 e LED 4 acesos	Totalmente carregada

## Carregar a bateria múltipla

**Nota:** Carregue a bateria se se tratar da primeira vez que a utiliza. Uma bateria nova tem apenas 30% de carga.



1. Certifique-se de que a bateria está seca.
2. Ligue a bateria múltipla ao adaptador. (Fig. 52)
3. Coloque o adaptador no carregador da bateria.
4. Certifique-se de que o LED verde de carregamento do carregador da bateria se acende. Tal indica que o adaptador e a bateria múltipla estão ligados corretamente. (Fig. 53)
5. A bateria está totalmente carregada quando todos os LED se acenderem e o adaptador apresentar a indicação de 100%. (Fig. 54)  
O adaptador apresenta o estado de carga em incrementos de 1%. É possível que ocorram pequenos desvios no início da carga.
6. Para desligar o carregador da bateria da tomada elétrica, puxe a ficha. Não puxe o cabo.
7. Retire o adaptador do carregador da bateria.
8. Retire a bateria múltipla ao adaptador.

---

**Nota:** Consulte os manuais da bateria múltipla e do carregador da bateria para obter mais informações.

---

## Arranque

1. Levante a tampa da bateria.
2. Coloque uma bateria carregada na ranhura da bateria com o número 1 por baixo da tampa da bateria. Para prolongar o tempo de funcionamento, coloque uma segunda bateria carregada na ranhura da bateria com o número 2.
3. Desligue a chave de segurança do respetivo suporte.
4. Empurre a chave de segurança para o bloqueio de segurança. (Fig. 55)
5. Mantenha-se atrás do produto.
6. Prima o botão ON/OFF no painel de controlo. O visor acende-se.
7. Desaperte o inibidor de arranque. (Fig. 22)
8. Empurre o manípulo de travão do motor no sentido da barra de direção. (Fig. 56)

## Utilizar a transmissão das rodas (LC 551iV)

- Puxe o manípulo de direção no sentido da barra de direção para ligar a transmissão. (Fig. 57)
- Prima + e - no painel de controlo para definir a velocidade de condução em 4 passos. (Fig. 58)
- Solte o manípulo de direção para desengatar a transmissão, por exemplo quando se aproximar de um obstáculo.

## Utilizar a função SavE

O produto inclui uma função de poupança da bateria (SavE), que permite uma utilização mais prolongada.

1. Prima o botão SavE (A) para ativar a função. O símbolo SavE (B) no visor acende-se.
2. Prima o botão SavE novamente para desativar a função. O símbolo SavE (B) no visor apaga-se. (Fig. 59)

A função SavE é desativada automaticamente se as condições do solo exigirem uma maior potência. A função SavE volta a ativar-se automaticamente quando as condições do solo assim o permitirem.

## Função PowerBoost

Quando o produto estiver a cortar relva alta ou molhada, o motor aumenta automaticamente as rpm. Para poupar tempo de bateria, o motor regressa automaticamente ao modo padrão quando a função PowerBoost não é necessária.

## Desligar o produto

O produto para automaticamente se não o utilizar durante 3 minutos.

1. Solte o manípulo de travão do motor para parar o motor. (Fig. 21)
2. Prima o botão ON/OFF no painel de controlo. Todas as luzes LED e símbolos no visor apagam-se. (Fig. 60)
3. Retire a chave de segurança do bloqueio de segurança e coloque-a no suporte da chave de segurança.

## Para obter bons resultados

- Utilize sempre uma lâmina bem afiada. Uma lâmina romba produz um resultado irregular e a superfície de corte da relva fica amarela. Uma lâmina afiada também gasta menos energia que uma lâmina romba.
- Não corte mais do que  $\frac{1}{3}$  do comprimento da relva. Corte primeiro com a altura de corte alta. Examine o resultado e reduza a altura de corte para um nível aplicável. Caso a relva esteja muito comprida, avance lentamente e corte duas vezes, se necessário.
- Corte em diferentes direções de cada vez, para evitar a formação de linhas no relvado.

## Cortar relva sem coletor de relva ou tampão de trituração (LC 551iV)

1. Levante a cobertura traseira e retire o coletor de relva.
2. Se instalados, retire o tampão de trituração e a lâmina de trituração.
3. Feche a cobertura traseira antes de utilizar o produto.

Quando utilizar o produto, a relva cortada vai para baixo da cobertura traseira.

# Manutenção

## Introdução



**ATENÇÃO:** Antes de efetuar a manutenção, tem de ler e compreender o capítulo sobre segurança.

É necessária formação especial para realizar qualquer tarefa de manutenção ou reparação. Garantimos a disponibilidade de reparações e manutenção profissionais. Se o seu revendedor não for uma oficina autorizada, pergunte-lhes onde se situa a oficina autorizada mais próxima.

## Esquema de manutenção

Os intervalos de manutenção são calculados a partir da utilização diária do produto. Os intervalos são alterados se o produto não for utilizado diariamente.

Relativamente às tarefas de manutenção identificadas com \*, consulte *Instruções de segurança para funcionamento na página 405*.

	A cada utilização	Mensalmente	A cada estação
Efetuar uma inspeção geral	X		
Limpar as coberturas da transmissão. Certificar-se de que não existe relva no motor	X		
Verificar o inibidor de arranque*	X		
Certificar-se de que os dispositivos de segurança do produto não estão danificados*	X		
Verificar o desgaste ou a deterioração do coletor de relva	X		
Examinar o equipamento de corte	X		
Examinar a cobertura de corte*	X		
Verificar o manípulo de travão do motor*	X		
Certificar-se de que o botão ON/OFF funciona corretamente e não está avariado	X		
Verificar a existência de danos na bateria	X		
Verificar a carga da bateria	X		
Certificar-se de que os botões de libertação da bateria funcionam corretamente e que a bateria bloqueia no produto	X		
Limpar as admissões de ar. Certificar-se de que não existe relva ou sujidade nas admissões de ar	X		
Verificar a existência de danos no carregador da bateria e certificar-se de que funciona corretamente		X	
Verificar as ligações entre a bateria e o produto. Verificar também a ligação entre a bateria e o carregador da bateria			X

## Para efetuar uma inspeção geral

- Certifique-se de que as porcas e os parafusos do produto estão apertados.
- Certifique-se de que os cabos no produto não estão numa posição suscetível a danos.

## Para substituir a lâmina

1. Bloqueie a lâmina com um bloco de madeira. (Fig. 61)
2. Remova o perno da lâmina, a arruela e a lâmina. (Fig. 62)
3. Examine se o suporte da lâmina e o perno da lâmina apresentam sinais de danos.

- a) Se substituir a lâmina ou suporte da lâmina, substitua também o perno da lâmina, a arruela e a arruela de fricção.
- Examine o eixo do motor para se certificar de que não se encontra dobrado.
  - Quando colocar a lâmina nova, certifique-se de que as extremidades dobradas da lâmina apontam na direção da cobertura de corte. (Fig. 63)
  - Encoste a arruela de fricção e a lâmina no suporte da lâmina. (Fig. 64)
  - Certifique-se de que a lâmina está alinhada com a parte central do eixo do motor. (Fig. 65)
  - Bloqueie a lâmina com um bloco de madeira. (Fig. 66)
  - Prenda a arruela de pressão e aperte o parafuso com um binário de 65-75 Nm. (Fig. 67)
  - Faça rodar a lâmina com a mão de modo a assegurar-se de que roda livremente.



**ATENÇÃO:** Utilize luvas de protecção. A lâmina é muito afiada e pode facilmente provocar cortes.

- Ligue o produto para testar a lâmina. Se a lâmina não estiver corretamente ligada, o produto vibra ou o resultado de corte não é satisfatório.

## Limpar o produto

- Limpe os componentes plásticos com um pano seco e limpo.
- Não utilize água para limpar o produto. A água pode entrar na bateria ou no motor, provocando um curto-circuito ou danos no produto.
- Não utilize uma máquina de lavar à pressão para limpar o produto.
- Não verta água diretamente no motor.
- Utilize uma escova para remover folhas, relva e sujidade.

## Para limpar a bateria e o carregador da bateria



**CUIDADO:** Não limpe a bateria ou o carregador com água.

- Certifique-se de que a bateria e o carregador da bateria estão limpos e secos antes de colocar a bateria no carregador da bateria.
- Limpe os terminais da bateria com ar comprimido ou com um pano macio e seco.
- Limpe as superfícies da bateria e o carregador da bateria com um pano macio e seco.

## Para examinar o equipamento de corte



**ATENÇÃO:** Para evitar um arranque acidental, puxe a chave de segurança, retire a bateria e aguarde, no mínimo, 5 segundos.



**ATENÇÃO:** Use luvas de protecção quando realizar a manutenção do equipamento de corte. A lâmina é muito afiada e pode facilmente provocar cortes.

- Examine se o equipamento de corte está danificado ou se apresenta fissuras. Substitua sempre um equipamento de corte danificado.
- Olhe para a lâmina para verificar se está danificada ou romba.

**Nota:** É necessário estabilizar a lâmina depois de ser afiada. Afiar, substitua e estabilize a lâmina numa oficina especializada. Se atingir um obstáculo que faça o produto parar, substitua a lâmina danificada. Um centro de assistência deve avaliar se a lâmina pode ser afiada ou se tem de ser substituída.

## Resolução de problemas

### Bateria

LED na bateria	Avarias possíveis	Procedimento possível
LED verde intermitente	Bateria com tensão baixa	Carregue a bateria. Consulte o capítulo <i>Carregar a bateria na página 412</i> .

LED na bateria	Avarias possíveis	Procedimento possível
LED de erro intermitente	Bateria fraca	Carregue a bateria. Consulte o capítulo <i>Bateria na página 415</i> .
	Temperatura no ambiente de trabalho demasiado alta/baixa	Utilize a bateria a temperaturas entre -10 °C e 40 °C.
	Sobretensão	Verifique se a tensão da rede elétrica corresponde à indicada na etiqueta de tipo no produto.  Retire a bateria do carregador da bateria. Aguarde 5 segundos e tente carregar a bateria novamente. Se o problema persistir, contacte uma oficina autorizada.
LED de erro ligado	Diferença elevada entre células (1 V)	Contacte uma oficina autorizada.

## Carregador da bateria

LED no carregador da bateria	Avarias possíveis	Procedimento possível
LED de erro intermitente	Temperatura no ambiente de trabalho demasiado alta/baixa	Utilize o carregador da bateria em ambientes com temperaturas entre 5 °C e 40 °C.
LED de erro ligado		Contacte uma oficina autorizada

## Painel de controlo

Código de erro (número de intermitências)	Avarias possíveis	Procedimento possível
1	O motor da transmissão está demasiado quente.	Deixe o produto arrefecer. Certifique-se de que não existe relva na transmissão. Limpe a cobertura da transmissão, se necessário.
5	A velocidade do motor desce demasiado e o motor para.	Limpe a plataforma de corte e aumente a altura de corte. Consulte <i>Definir a altura de corte na página 412</i> . Se o erro persistir, contacte a sua oficina autorizada.
8	A bateria está fraca.	Carregue a bateria. Consulte <i>Carregar a bateria na página 412</i> .
9	Bateria com erro ou sem sinal.	Coloque a bateria no produto corretamente e examine o conector da bateria. Se o LED de erro da bateria ficar intermitente, consulte <i>Bateria na página 412</i> .
10	O controlo do motor está demasiado quente.	Desligue o motor e aguarde até arrefecer.
Outros erros	Se ocorrerem outros erros, retire a chave de segurança e a bateria e contacte uma oficina autorizada.	

# Transporte, armazenamento e eliminação

## Introdução



**ATENÇÃO:** Para evitar um arranque não intencional durante o transporte, puxe a chave de segurança, retire a bateria e aguarde, no mínimo, 5 segundos.

## Colocar o produto na posição de transporte (LC 551iV)

1. Desaperte os manípulos inferiores.
2. Desloque os botões para a extremidade inferior das ranhuras, dos lados esquerdo e direito do produto. (Fig. 31)
3. Dobre a barra do guiador para a frente. (Fig. 68)
4. Retire o coletor de relva.

## Transporte

- Os requisitos da legislação sobre mercadorias perigosas aplicam-se às baterias de íões de lítio incluídas.
- Para um transporte comercial, é necessário cumprir os requisitos especiais na embalagem e nas etiquetas.
- Quando preparar o produto para transporte, certifique-se de que cumpre os regulamentos sobre mercadorias perigosas. Podem aplicar-se normas locais.
- Retire sempre a bateria para transporte.
- Coloque fita adesiva nos conectores da bateria e certifique-se de que a bateria não pode mover-se durante o transporte.
- Prenda o produto durante o transporte.

## Armazenamento

- Retire sempre a bateria durante o armazenamento.
- Para evitar acidentes, certifique-se de que a bateria não está ligada ao produto durante o armazenamento.

- Armazene o carregador da bateria apenas em espaços interiores secos.
- Armazene a bateria e o carregador da bateria num local seco, sem humidade nem gelo.
- Desligue a bateria do carregador da bateria durante o armazenamento.
- Não armazene a bateria num local onde possa haver eletricidade estática. Não armazene a bateria numa caixa metálica.
- Armazene a bateria num local onde a temperatura varie entre 5 °C e 25 °C e onde não fique exposta à luz solar.
- Armazene o carregador da bateria num local onde a temperatura varie entre 5 °C e 45 °C e onde não fique exposto à luz solar.
- Antes de armazenar a bateria durante longos períodos de tempo, certifique-se de que está carregada a 30-50%.
- Mantenha o produto, a bateria e o carregador de bateria num local fechado à chave, fora do alcance de crianças e de pessoas não autorizadas.
- Antes de armazenar o produto durante longos períodos de tempo, limpe-o e efetue uma manutenção completa do mesmo.

## Eliminação

Os símbolos no produto ou na respetiva embalagem indicam que este produto não deve ser tratado como um resíduo doméstico. Tem de ser enviado para uma estação de reciclagem adequada para a recuperação de equipamentos elétricos e eletrónicos.

Ao garantir que este produto é tratado corretamente, pode ajudar a neutralizar o potencial impacto negativo sobre o meio ambiente e as pessoas, que de outra forma pode resultar da gestão incorreta dos resíduos deste produto. Para informações mais detalhadas sobre a reciclagem deste produto, contacte o seu município, o serviço de recolha de resíduos domésticos ou a loja onde adquiriu o produto.

(Fig. 69)

## Especificações técnicas

### Especificações técnicas

	LB 548i	LC 551iV
<b>Motor de corte</b>		
Tipo de motor	BLDC (sem escova) 36V	BLDC (sem escova) 36V
Velocidade do motor – SavE, rpm*	2600	2600
Velocidade do motor – nominal, rpm*	3000	3000
Velocidade do motor – carga elevada, rpm*	3300	3300

	<b>LB 548I</b>	<b>LC 551IV</b>
Potência do motor – máx. kW	1,8	1,8
Potência do motor – nominal, kW	1,5	1,5
<b>Motor direto</b>		
Potência do motor – nominal, kW	N/A	0,3
Velocidade de autodeslocação, km/h	N/A	3,0-5,0
Níveis de regulação de velocidade	N/A	4
<b>Peso</b>		
Peso sem bateria, kg	31	41
<b>Bateria</b>		
Tipo de bateria	Gama de equipamentos a bateria da Husqvarna	Gama de equipamentos a bateria da Husqvarna
<b>Tempo de operação da bateria</b>		
Tempo de operação da bateria, mín., (operação livre) com SavE ativado, com uma bateria de 5,2 Ah (Bli200) da Husqvarna.	40	30
Tempo de operação da bateria, mín., (operação livre) com modo normal ativado, com uma bateria de 5,2 Ah (Bli200) da Husqvarna.	30	20
<b>Emissões de ruído</b> <sup>58</sup>		
Nível de potência sonora, dB(A) medidos	93	97
Nível de potência sonora, garantido L <sub>WA</sub> dB (A)	93	97
<b>Níveis acústicos</b> <sup>59</sup>		
Nível de pressão sonora ao nível do ouvido do utilizador, dB (A)	80	84
<b>Níveis de vibração</b> <sup>60</sup>		
Punho, m/s <sup>2</sup>	0,3	0,3
<b>Equipamento de corte</b>		
Altura de corte, mm	20-75	20-75
Largura de corte, cm	48	51
Lâmina padrão	Lâmina de trituração 597466510	Lâmina de recolha 597466310
Acessório da lâmina	N/A	Lâmina de trituração 597466410

<sup>58</sup> Emissões de ruído para as imediações, medidas sob forma de potência sonora (L<sub>WA</sub>) em conformidade com a diretiva da CE 2000/14/CE.

<sup>59</sup> Os dados comunicados relativamente ao nível de pressão de ruído têm uma dispersão estatística típica (desvio padrão) de 1,2 dB (A).

<sup>60</sup> Os dados comunicados relativamente ao nível de vibração têm uma dispersão estatística típica (desvio padrão) de 0,2 m/s<sup>2</sup>. Norma de vibração EN 60335-2-77:2017 capítulo 20.105

	<b>LB 548i</b>	<b>LC 551iV</b>
Capacidade do coletor de relva, l	N/A	65

\*Rotações por minuto

<b>Baterias aprovadas</b>	<b>Tipo</b>	<b>Capacidade da bateria, Ah</b>	<b>Tensão, V</b>	<b>Peso, kg</b>
BLi20	lões de lítio	4,0	36	2,6/1,2
BLi200	lões de lítio	5,2	36	2,8/1,3
BLi300	lões de lítio	9,4	36	4,1/1,9
BLi550X	lões de lítio	15,6	36	12,4/5,6
BLi950X	lões de lítio	31,1	36	15,4/7,0

<b>Carregadores aprovados para as baterias especificadas, BLi</b>	<b>Tensão de entrada, V</b>	<b>Frequência, Hz</b>	<b>Potência, W</b>
QC80	100-240	50-60	80
QC80F	12	0	80
QC330	100-240	50-60	330
QC500	100-240	50-60	500

**KEES VAN DER SPEK**  
TUINMACHINES \* STOLWIJK

---

## Declaração CE de conformidade

---

### Declaração CE de conformidade

A **Husqvarna AB**, SE-561 82 Huskvarna, Suécia, tel: +46-36-146500, declara que o **corta-relva Husqvarna LB 548i, LC 551IV** de 2019 e dos anos posteriores cumpre as disposições constantes na DIRETIVA DO CONSELHO:

- de 8 de junho de 2011 relativa à "restrição do uso de determinadas substâncias perigosas" **2011/65/UE**
- de 17 de maio de 2006 "referente a máquinas" **2006/42/CE**
- de 26 de fevereiro de 2014 "referente à compatibilidade eletromagnética" **2014/30/UE**
- de 8 de maio de 2000 "referente a emissões de ruído para o ambiente" **2000/14/CE**

Para mais informações relativas a emissões de ruído, consulte as Especificações técnicas.

Foram respeitadas as seguintes normas:

**IEC 60335-1:2010, IEC 60335-2-77:2002, EN 60335-1:2012, EN 60335-2-77:2010 EN/IEC 62233:2008 EN 61000-6-3:2005 EN 61000-6-1:2005**

Salvo indicação em contrário, as normas apresentadas acima são as versões publicadas mais recentes.

Entidade competente: **0404, RISE SMP Svensk Maskinprovning AB, Box 7035, SE-750 07 Uppsala** avaliou a conformidade de acordo com o anexo VI da diretiva 2000/14/CE e emitiu um certificado com o número:01/901/324 (LB 548i), 01/901/323 (LC 551IV)

Huskvarna, 2020-01-20



Claes Losdal, Chefe de Desenvolvimento/Produtos de Jardinagem (representante autorizado da Husqvarna AB e responsável pela documentação técnica)



---

# CUPRINS

---

Introducere.....	421	Depanarea.....	436
Siguranță.....	423	Transportul, depozitarea și eliminarea.....	437
Asamblarea.....	431	Date tehnice.....	438
Funcționarea.....	432	Declarație de conformitate CE.....	441
Întreținerea.....	434		

---

## Introducere

---

### Descrierea produsului

Produsul este o mașină rotativă pentru tuns gazonul controlată de un operator-pieton. Modelul LB 548i folosește BioClip pentru a tăia iarba și a o transforma în fertilizator.

Modelul LC 551iV colectează iarba într-un colector de iarbă. Demontați colectorul de iarbă pentru a efectua

descărcarea ierbii prin partea posterioară a mașinii. Atașați un kit de mărunțire (accesoriu) pentru a tăia iarba și a o transforma în îngrășământ.

### Domeniul de utilizare

Utilizați produsul pentru a tunde iarba în grădini private. Nu utilizați produsul pentru alte sarcini.

### Prezentarea generală a produsului

(Fig. 1)

1. Panoul de control
2. Maneta frânei de motor
3. Inhibitorul de pornire
4. Colector de iarbă (LC 551iV)
5. Capac posterior (LC 551iV)
6. Cheie de siguranță
7. Rozetă pe mâner (LC 551iV)
8. Levier de reglare a mânerului (LB 548i)
9. Capac baterie
10. Mecanism de reglare a înălțimii de tăiere (LC 551iV)
11. Buton ON/OFF (Pornire/Oprire)
12. Buton SavE (Economisire)
13. Indicator SavE
14. Indicator pentru baterie
15. Indicator pentru nivelul vitezei
16. Buton pentru reducerea vitezei
17. Buton pentru mărirea vitezei
18. LED de eroare
19. Capac de tăiere
20. Prize de aer
21. Plăcuță de identificare
22. Manetă de transmisie (LC 551iV)
23. Încărcător de baterie (accesoriu)
24. Baterie (accesoriu)
25. Baterie multiplă (accesoriu)
26. Placă adaptor (accesoriu)
27. Adaptor baterie multiplă (accesoriu)
28. Manualul operatorului

### Simbolurile de pe produs

(Fig. 2)

**AVERTISMENT:** Acest produs poate fi periculos și poate cauza vătămări corporale grave sau decesul operatorului sau al altor persoane. Acționați cu grijă și utilizați corect produsul.

(Fig. 3)

Citiți cu atenție manualul operatorului și asigurați-vă că înțelegeți instrucțiunile înainte de a utiliza acest produs.

(Fig. 4)

Țineți persoanele și animalele la o distanță sigură de zona de lucru.

- (Fig. 5) Feriți-vă de obiectele proiectate sau care ricoșează.
- (Fig. 6) Avertisment: Feriți-vă mâinile și picioarele de cuțitul rotativ.
- (Fig. 7) Avertisment: Feriți-vă mâinile și picioarele de piesele rotative.
- (Fig. 8) Scoateți cheia de siguranță înainte de a efectua lucrări de reparații sau de întreținere.
- (Fig. 9) **Marcaj privind mediul înconjurător.** Produsul și ambalajul produsului nu pot fi tratate ca deșeuri menajere. Reciclați-l la o locație de eliminare autorizată pentru echipamente electrice și electronice.
- (Fig. 10) Produsul este conform cu directivele CE aplicabile.
- (Fig. 11) Produsul este conform cu directivele Uniunii Vamale Euroasiatice aplicabile.
- (Fig. 12) Produsul este conform cu directivele UkrSEPRO aplicabile.
- (Fig. 13) Produsul este conform cu directivele RCM

aplicabile. Se aplică numai pentru AU/NZ

- (Fig. 14) Emisia de zgomot în mediul înconjurător este în conformitate cu directivele CE aplicabile. Nivelul de emisii de zgomot al produsului este specificat în *Date tehnice la pagina 438* și pe autocolant.

## **IPX4** Protejat împotriva stropilor de apă. **IPX4**

- (Fig. 19) Procedura de pornire: apăsați butonul de pornire/oprire, slăbiți inhibitorul de pornire, împingeți în jos maneta frânei de motor.

- (Fig. 15) Eliberați maneta frânei de motor pentru oprire.

(Fig. 16) Lent

(Fig. 17) Rapid

(Fig. 18) Cod scanabil

---

**Nota:** Celelalte simboluri/etichete de pe produs se referă la cerințele de certificare pentru anumite piețe.

---

## **Etichetele de pe produs**

(Fig. 20)

Feriți-vă mâinile și picioarele de cuțitele rotative.

## **Răspunderea pentru produs**

Conform prevederilor legislației privind răspunderea pentru produs, nu ne asumăm răspunderea pentru daunele cauzate de produsul nostru dacă:

- produsul este reparat necorespunzător;
- produsul este reparat cu piese care nu provin de la producător sau care nu sunt aprobate de acesta;
- produsul are un accesoriu care nu provine de la producător sau care nu este aprobat de acesta;

- produsul nu este reparat la un centru de service omologat sau de o autoritate omologată;

---

## Siguranță

---

### Definiții privind siguranța

Avertismentele, atenționările și notele sunt utilizate pentru a desemna părți foarte importante din manual.



**AVERTISMENT:** Se utilizează dacă există risc de vătămare sau de deces pentru operator sau pentru trecători, în cazul în care instrucțiunile din manual nu sunt respectate.



**ATENȚIE:** Se utilizează dacă există un risc de deteriorare a produsului, a altor materiale sau a zonelor învecinate, dacă instrucțiunile din manual nu sunt respectate.

**Nota:** Se utilizează pentru a furniza mai multe informații care sunt necesare într-o situație dată.

### Instrucțiuni generale de siguranță



**AVERTISMENT:** Înainte de a utiliza produsul, citiți instrucțiunile de avertizare de mai jos.

- Acest produs este periculos dacă este utilizat incorect sau dacă nu sunteți atent. Nerespectarea instrucțiunilor de siguranță poate cauza vătămări corporale sau decesul.
- În timpul funcționării, acest produs produce un câmp electromagnetic. În anumite condiții, acest câmp poate interfera cu implanturile medicale active sau pasive. Pentru a reduce riscul de vătămări corporale grave sau mortale, recomandăm persoanelor cu implanturi medicale să consulte medicul și producătorul implantului medical înainte de a utiliza acest produs.
- Procedați întotdeauna cu atenție și folosiți-vă judecata. Dacă nu sunteți sigur cum să utilizați produsul într-o situație

specială, opriți-l și adresați-vă distribuitorului Husqvarna înainte de a continua.

- Rețineți că operatorul poartă responsabilitatea privind orice accidente care implică alte persoane sau bunurile acestora.
- Păstrați produsul curat. Asigurați-vă că puteți citi clar semnele și etichetele.
- Nu lăsați niciodată copiii sau persoanele nefamiliarizate cu aceste instrucțiuni să folosească aparatul. Este posibil ca reglementările locale să limiteze vârsta operatorului
- Monitorizați permanent o persoană cu capacități fizice sau mentale reduse care utilizează produsul. Un adult responsabil trebuie să fie prezent în permanență.
- Nu utilizați produsul atunci când sunteți obosit, bolnav sau dacă ați consumat alcool, droguri sau ați luat medicamente. Acestea vă afectează negativ acuitatea vizuală, atenția, coordonarea și judecata.
- Nu utilizați produsul dacă este defect.
- Nu modificați acest produs și nu îl utilizați dacă este posibil

să fi fost modificat de către alte persoane.

## Siguranța zonei de lucru

---



**AVERTISMENT:** Înainte de a utiliza produsul, citiți instrucțiunile de avertizare de mai jos.

---

- Înainte de a utiliza produsul, îndepărtați obiectele precum crengile, rămurelele și pietrele din zona de lucru.
- Obiectele care se lovesc de echipamentul de tăiere pot fi aruncate, provocând vătămări corporale și pagube materiale. Țineți trecătorii și animalele la o distanță sigură de produs.
- Nu utilizați produsul pe vreme rea, de exemplu pe ceață, ploaie, vânt puternic, la temperaturi exterioare foarte scăzute și atunci când există riscul de descărcări electrice. Utilizarea produsului pe vreme nefavorabilă sau pe teren umed sau inundat este obositoare. Vremea nefavorabilă poate conduce la apariția de situații periculoase, de exemplu suprafețe alunecoase.
- Verificați dacă există persoane, obiecte și situații care pot împiedica

funcționarea în siguranță a produsului.

- Atenție la obstacole, precum rădăcini, pietre, ramuri, gropi și șanțuri. În iarba înaltă se pot ascunde obstacole.
- Tunderea ierbii pe pante poate fi periculoasă. Nu tundeți pante excesiv de abrupte. Nu utilizați produsul pe pante cu înclinație mai mare de 15°
- Aveți foarte mare grijă atunci când schimbați direcția de deplasare pe pante. Utilizați produsul de-a curmezișul pantei. Nu efectuați mișcări în sus și în jos.
- Procedați cu atenție atunci când vă apropiați de colțuri ascunse și de obiecte care blochează vederea.

## Siguranța în lucru



**AVERTISMENT:** Înainte de a utiliza produsul, citiți instrucțiunile de avertizare de mai jos.

- Asigurați-vă că știți cum să opriți rapid motorul în caz de urgență.
  - Nu utilizați produsul în ploaie sau în condiții de umezeală. Riscul de electrocutare crește dacă apa pătrunde în produs.
  - Nu utilizați produsul decât dacă au fost montate corect cuțitul și toate capacele. Un cuțit montat incorect se poate slăbi, provocând vătămări corporale.
  - Asigurați-vă că lama nu lovește obiecte, precum pietre și rădăcini. Acestea pot deteriora cuțitul și pot îndoi arborele motorului. Un ax îndoit poate genera vibrații puternice și prezintă un risc foarte ridicat de slăbire a cuțitului.
  - Dacă lama lovește un obiect sau dacă observați vibrații, opriți produsul imediat. Opriți motorul, scoateți cheia de siguranță și îndepărtați bateria. Examinați dacă produsul este deteriorat. Reparați defecțiunile sau solicitați unui agent de service autorizat să le repare.
  - Nu atașați niciodată maneta frânei de motor la mâner, în mod permanent, atunci când motorul este pornit.
- Utilizați acest produs numai pentru tunderea gazonului. Nu este permisă utilizarea acestui produs pentru alte lucrări.
  - Utilizați echipamentul de protecție personală. Consultați *Echipament de protecție personală la pagina 426.*

- Poziționați produsul pe o suprafață stabilă, plană și porniți-l. Asigurați-vă că lama nu atinge solul sau alte obiecte.
- Stați întotdeauna în spatele produsului atunci când îl utilizați.
- Mențineți toate roțile pe sol și țineți ambele mâini pe mâner când utilizați produsul. Feriți-vă mâinile și picioarele de cuțitele rotative.
- Nu înclinați produsul când motorul este pornit.
- Fiți atent atunci când trageți produsul în spate.
- Nu ridicați niciodată produsul când motorul este pornit. Dacă trebuie să ridicați produsul, mai întâi opriți motorul, trageți cheia de siguranță și scoateți bateria.
- Nu mergeți cu spatele în timp ce utilizați produsul.
- Opriți motorul când traversați zone fără iarbă, de exemplu alei din pietriș, piatră și asfalt.
- Nu alergați cu produsul când motorul este pornit. Întotdeauna mergeți în timp ce utilizați produsul.
- Opriți motorul înainte de a schimba înălțimea de tăiere. Nu efectuați niciodată reglaje cu motorul pornit.

- Nu lăsați niciodată produsul să iasă din câmpul vizual cu motorul pornit. Opriți motorul și asigurați-vă că echipamentul de tăiere nu se rotește.

#### Instrucțiuni de siguranță pentru utilizare

### Echipament de protecție personală



**AVERTISMENT:** Înainte de a utiliza produsul, citiți instrucțiunile de avertizare de mai jos.

- Echipamentele de protecție personală nu pot elimina complet riscul de rănire, însă pot reduce gravitatea rănilor în cazul unui accident. Distribuitorul vă poate ajuta să alegeți echipamentul corect.
- Utilizați întotdeauna ghete sau pantofi pentru regim greu de lucru, cu rezistență la alunecare. Nu folosiți pantofi decupați și nu operați produsul desculț.
- Utilizați pantaloni lungi, groși.
- Purtați mănuși de protecție atunci când este necesar, de exemplu atunci când conectați, inspectați sau curățați echipamentul de tăiere.

## Dispozitivele de siguranță de pe produs



**AVERTISMENT:** Înainte de a utiliza produsul, citiți instrucțiunile de avertizare de mai jos.

- Nu utilizați un produs cu dispozitive de siguranță deteriorate.
- Verificați regulat dispozitivele de siguranță. Dacă dispozitivele de siguranță sunt defecte, contactați agentul de service Husqvarna.

### Verificarea capacului de tăiere

Capacul de tăiere reduce vibrațiile în produs și scade riscul de rănire de la cuțit.

- Examinați capacul de tăiere și asigurați-vă că nu există defecte, precum fisuri.

### Cheie de siguranță

Cheia de siguranță este sub capacul bateriei. Cheia de siguranță conectează bateria care alimentează motorul cu energie.

## Pentru a efectua verificarea cheii de siguranță

Cheia de siguranță conectează bateria care alimentează motorul cu energie.

- Porniți și opriți motorul. În cazul în care cheia de siguranță funcționează corect, motorul pornește doar atunci când cheia de siguranță se află în încuietorea de siguranță.

### Maneta frânei de motor

Maneta frânei de motor oprește motorul. Când maneta frânei de motor este eliberată, motorul se oprește.

Pentru a efectua o inspecție a frânei de motor, porniți motorul și apoi eliberați maneta frânei de motor. Dacă motorul nu se oprește în 3 secunde, solicitați unui agent de service autorizat Husqvarna să regleze frâna de motor.

(Fig. 21)

### Pentru examinarea inhibitorului de pornire

Verificați inhibitorul de pornire pentru a vă asigura că acesta împiedică funcționarea demarorului.

1. Împingeți maneta frânei de motor în direcția mânerului. Inhibitorul de pornire oprește mișcarea.
2. Împingeți inhibitorul de pornire în afară. (Fig. 22)
3. Eliberați inhibitorul de pornire și asigurați-vă că revine la poziția sa inițială.

## Siguranța bateriei



**AVERTISMENT:** Înainte de a utiliza produsul, citiți instrucțiunile de avertizare de mai jos.

- Utilizați numai baterii reîncărcabile Husqvarna ca sursă de alimentare pentru produsele Husqvarna asociate. Pentru a evita rănirea, nu folosiți bateria ca sursă de alimentare pentru alte dispozitive.
- Nu utilizați baterii nereîncărcabile.
- Risc de electrocutare. Nu conectați bornele bateriei la chei, monede, șuruburi sau alte metale. Aceasta poate cauza scurtcircuitarea bateriei.
- Nu puneți obiecte în fantele de aerisire a bateriei.
- Feriți bateria de lumina solară, de căldură sau de flăcări

deschise. Bateria poate exploda și provoca arsuri și/sau arsuri chimice.

- Feriți bateria de ploaie și de condiții de umezeală.
- Feriți bateria de microunde și de înaltă presiune.
- Nu încercați să demontați sau să spargeți bateria.
- Dacă există scurgeri de lichid dintr-o baterie, nu lăsați lichidul să intre în contact cu pielea sau ochii. Dacă ați atins lichidul, curățați zona cu apă din abundență și consultați medicul.
- Utilizați bateria la temperaturi între  $-10^{\circ}\text{C}$  și  $40^{\circ}\text{C}$ .
- Nu curățați niciodată bateria sau încărcătorul cu apă. Consultați *Pentru a curăța bateria și încărcătorul la pagina 436*.
- Nu utilizați o baterie defectă sau deteriorată.
- Depozitați bateriile la distanță de obiecte de metal, de exemplu cuie, monede, bijuterii.

## Siguranța încărcătorului bateriei



**AVERTISMENT:** Înainte de a utiliza produsul, citiți instrucțiunile de avertizare de mai jos.



- Utilizați numai încărcătoare de baterii QC pentru a încărca bateriile de schimb Husqvarna.
- Pericol de electrocutare sau de scurtcircuit. Nu puneți obiecte în fantele de aerisire a încărcătorului. Nu încercați să dezasamblați încărcătorul de baterii. Nu conectați bornele încărcătorului la obiecte metalice. Folosiți o priză de curent aprobată.
- În timpul funcționării, acest produs produce un câmp electromagnetic. În anumite condiții, acest câmp poate interfera cu implanturile medicale active sau pasive. Pentru a scădea riscul de afecțiuni care pot conduce la vătămare sau la deces, recomandăm persoanelor cu implanturi medicale să consulte medicul și producătorul implantului medical înainte de a utiliza produsul.
- Asigurați-vă periodic că cablul de alimentare al încărcătorului de baterii nu este deteriorat și că nu prezintă fisuri.
- Nu ridicați încărcătorul bateriei ținând de cablul de alimentare. Pentru a deconecta încărcătorul de baterii de la priza de perete, trageți de ștecăr. Nu trageți de cablul de alimentare.
- Țineți cablul de alimentare și prelungitoarele la distanță de apă, ulei și muchiile ascuțite. Asigurați-vă că acest cablu nu este prins în uși, garduri sau în alte locuri similare. În caz contrar, încărcătorul poate intra sub tensiune.
- Nu curățați încărcătorul de baterii folosind apă.
- Acest încărcător de baterii poate fi utilizat de către copiii cu vârsta peste 8 ani și de către persoane ce au capacități fizice, senzoriale sau mentale reduse sau care nu au experiența și cunoștințele necesare, dacă sunt supravegheate sau au primit instrucțiuni referitoare la utilizarea încărcătorului de baterii în siguranță și înțeleg riscurile implicate. Copiii nu trebuie să se joace cu încărcătorul de baterii. Curățarea și întreținerea nu se vor efectua de copii fără supraveghere.
- Nu încărcați baterii nereîncărcabile în încărcătorul de baterii.
- Nu utilizați încărcătorul de baterii în apropiere de materiale inflamabile sau

materiale care pot cauza coroziune. Nu acoperiți încărcătorul bateriei. În caz de fum sau de incendiu, scoateți ștecărul încărcătorului de baterii.

- Nu utilizați un încărcător de baterii defect sau deteriorat.
- Încărcați bateria numai în interior, într-o încăpăre cu aerisire adecvată și departe de lumina soarelui. Nu încărcați bateria în medii umede.

## Instrucțiuni de siguranță pentru întreținere



**AVERTISMENT:** Înainte de a utiliza produsul, citiți instrucțiunile de avertizare de mai jos.

- Scoateți cheia de siguranță înainte de a efectua operații de întreținere asupra produsului.
- Efectuați lucrările de întreținere în mod corect pentru a prelungi durata de viață a produsului și reduce pericolul de accidente. Lucrările de reparații profesionale trebuie efectuate de un agent de service autorizat. Discutați cu agentul

de service cel mai apropiat de dvs. pentru mai multe informații.

- Efectuați numai lucrările de întreținere care se regăsesc în acest manual al operatorului.
- Puneți-vă mănuși de protecție rezistente atunci când utilizați echipamentul de tăiere. Cuțitul este foarte ascuțit și vă puteți tăia foarte ușor.
- Mențineți tășurile de tăiere ascuțite și curățate pentru performanță și siguranță optimă.
- Permiteți agentului de service să verifice periodic produsul și să efectueze reglajele și reparațiile necesare.
- Înlocuiți piesele deteriorate, uzate sau defecte.
- Respectați instrucțiunile privind modul de schimbare a accesoriilor. Utilizați numai accesoriile furnizate de producător.
- Atunci când nu este în funcțiune, păstrați produsul, bateria și încărcătorul în interior, într-un loc uscat și încuiat. Asigurați-vă că persoanele neavizate și copiii nu au acces la produs, la baterie sau la încărcător.

# Asamblarea

## Introducere



**AVERTISMENT:** Citiți și înțelegeți capitolul referitor la siguranță înainte de asamblarea produsului.

## Pentru a instala și demonta bateria multiplă (accesoriu)

1. Scoateți cele 4 capace de cauciuc și cele 4 șuruburi de pe capacul motorului. (Fig. 23)
2. Amplasați placa adaptorului pe capacul motorului.
3. Montați placa adaptorului și cele 4 șuruburi furnizate, aplicând un cuplu de 5-6 Nm. (Fig. 24)
4. Deschideți capacul bateriei.
5. Îndepărtați bateria din compartimentul 1. (Fig. 25)
6. Scoateți opritorul de etanșare. (Fig. 26)
7. Împingeți adaptorul bateriei în compartimentul bateriei până când auziți un clic. (Fig. 27)
8. Treceți cablul adaptorului bateriei prin orificiul opritorului de etanșare. Prindeți cablul cu cleva. (Fig. 28)
9. Instalați bateria multiplă pe adaptorul de baterie.
10. Conectați bateria multiplă la adaptorul de baterie. (Fig. 29)
11. Prindeți cablul adaptorului bateriei de mâner cu cele trei benzi din material textil. (Fig. 30)
12. Scoateți bateria multiplă efectuând operațiile în ordine inversă.



**AVERTISMENT:** Nu prindeți prea lejer cablul de mâner. Cablul se poate desprinde de mâner, producând vătămări corporale.

## Asamblarea mânerului (LC 551iV)

1. Slăbiți butoanele inferioare.
2. Deplasați butoanele spre capătul inferior al canelurilor de pe partea stângă și de pe partea dreaptă a produsului. (Fig. 31)
3. Setări înălțimea mânerului într-una dintre cele 2 poziții disponibile.
4. Deplasați butoanele în sus în direcția mânerului, până când acestea se opresc și se aude un clic. (Fig. 32)

5. Strângeți butoanele până la capăt.

## Asamblarea mânerului (LB 548i)

1. Scoateți piulița mânerului și șaiba de pe placa de pe mânerul superior.
2. Fixați mânerul superior în poziție, deasupra mânerului inferior.



**ATENȚIE:** Evitați prinderea sau deteriorarea cablurilor.

3. Montați șaiba și levierul de reglare a mânerului. (Fig. 33)
4. Rotiți mânerul în lateral pentru a obține o poziție bună de operare atunci când folosiți produsul în apropierea unui perete. (Fig. 34)

## Asamblarea colectorului de iarbă (LC 551iV)

1. Prindeți cadrul colectorului de iarbă de sacul de iarbă, cu partea rigidă a sacului în jos. Mențineți mânerul cadrului deasupra sacului de iarbă. (Fig. 35)
2. Atașați partea inferioară a cadrului colectorului de iarbă în canelura de pe partea inferioară a colectorului de iarbă.
3. Prindeți sacul de iarbă de cadrul colectorului de iarbă cu ajutorul clemelor. (Fig. 36)
4. Ridicați capacul posterior.
5. Fixați colectorul de iarbă de marginea superioară a carcasei.
6. Introduceți partea inferioară a colectorului de iarbă în canalul de evacuare a ierbii. (Fig. 37)

## Pentru asamblarea obturatorului pentru resturi vegetale (accesoriu LC 551iV)

1. Ridicați capacul posterior și scoateți colectorul de iarbă.
2. Introduceți obturatorul pentru resturi vegetale în canalul colector. (Fig. 38)
3. Înlocuiți cuțitul cu un cuțit de mărunțire care este furnizat cu kitul de mărunțire. Consultați *Pentru a înlocui lama la pagina 435*.

# Funcționarea

## Introducere



**AVERTISMENT:** Înainte de a utiliza produsul, trebuie să citiți și să înțelegeți capitolul privind siguranța.

## Husqvarna Connect

Husqvarna Connect este o aplicație gratuită pentru dispozitivul dvs. mobil. Aplicația Husqvarna Connect vă oferă funcții extinse pentru produsul dvs. Husqvarna:

- Informații pe larg despre produs.
- Informații despre piese pentru produse și service și asistență pentru acestea.

## Pentru a începe să utilizați Husqvarna Connect

1. Descărcați aplicația Husqvarna Connect pe dispozitivul dvs. mobil.
2. Înregistrați-vă în aplicația Husqvarna Connect.
3. Urmați pașii cu instrucțiuni din aplicația Husqvarna Connect pentru a conecta și înregistra produsul.

## Husqvarna Fleet Services™

Husqvarna Fleet Services™ este o soluție în cloud care oferă managerului unei flote comerciale o prezentare generală asupra tuturor produselor. Husqvarna Fleet Services™ este inclusă pentru LC 551iV. Pentru mai multe informații despre Husqvarna Fleet Services™, consultați [www.husqvarna.com](http://www.husqvarna.com).

## Pentru pregătirea senzorului (accesoriu)

1. Folosiți cheia senzorului pentru a deschide capacul senzorului. (Fig. 39)
2. Îndepărtați senzorul.
3. Conectați bateria la senzor. LED-ul senzorului luminează. (Fig. 40)
4. Descărcați aplicația Husqvarna Fleet Services™.
5. Conectați-vă la aplicația Husqvarna Fleet Services™.
6. Efectuați operația de asociere. Consultați *Pentru a efectua o operație de asociere între aplicație și produs la pagina 432*

## Pentru a efectua o operație de asociere între aplicație și produs

1. Conectați-vă la aplicația Husqvarna Fleet Services™.
2. Selectați produsul în aplicație.
3. Scanați codul de pe spatele senzorului cu dispozitivul mobil pentru a instala senzorul din aplicație.

**Nota:** Operația de asociere între aplicație și produs trebuie efectuată o singură dată.

## Pentru a instala senzorul

1. Asigurați-vă că senzorul este conectat la aplicația Husqvarna Fleet Services™. Consultați *Pentru a efectua o operație de asociere între aplicație și produs la pagina 432*.

2. Realizați 2 orificii lângă marcasele din compartimentul incintei. (Fig. 41)

**Nota:** Asigurați-vă că orificiile au aceeași dimensiune ca niturile furnizate cu senzorul.

3. Folosiți un clește pentru a scoate găurile exterioare de pe compartimentul senzorului. (Fig. 42)
4. Realizați 2 orificii lângă marcasele din compartimentul senzorului. (Fig. 43)
5. Aliniați compartimentul senzorului cu compartimentul incintei. (Fig. 44)
6. Fixați compartimentul senzorului cu ajutorul niturilor.
7. Instalați senzorul în compartimentul senzorului. Aliniați marcajul alb de pe senzor cu marcajul de pe compartimentul senzorului. (Fig. 45)
8. Închideți capacul senzorului și blocați-l cu cheia senzorului. Asigurați-vă că partea de sus a literei „H” Husqvarna este orientată în sens opus cheii de siguranță. (Fig. 46)

## Pentru a seta produsul în poziția de funcționare (LC 551iV)

1. Ridicați mânerul în poziție verticală. (Fig. 47)
2. Deplasați butoanele în sus în direcția mânerului, până când acestea se opresc și se aude un clic. (Fig. 32)
3. Strângeți butoanele până la capăt.

## Pentru a seta înălțimea de tăiere

Înălțimea de tăiere poate fi reglată pe 6 nivele.

1. Împingeți controlul pentru înălțimea de tăiere în direcția roții și apoi înapoi pentru a mări înălțimea de tăiere.
2. Împingeți controlul pentru înălțimea de tăiere în direcția roții și apoi înainte pentru a reduce înălțimea de tăiere. (Fig. 48)



**ATENȚIE:** Nu setați o înălțime de tăiere prea scăzută. Cuțitele pot atinge solul dacă suprafața gazonului nu este plană.

## Bateria



**AVERTISMENT:** Înainte de a utiliza bateria, trebuie să citiți și să înțelegeți capitolul privind siguranța. Trebuie, de asemenea, să citiți și înțelegeți informațiile din manualul operatorului privind bateria și încărcătorul.

### Starea bateriei

Afișajul arată capacitatea rămasă a bateriei și dacă există probleme cu aceasta. Capacitatea bateriei este afișată timp de 5 secunde după ce produsul este oprit sau după ce este apăsat butonul indicatorului. Simbolul de avertisment de pe baterie se aprinde când apare o eroare. Consultați *Bateria la pagina 436*.

(Fig. 49)

Lumini LED	Stare baterie
Toate LED-urile sunt aprinse	Complet încărcată (75 - 100 %)
Sunt aprinse LED-urile 1, 2 și 3	Bateria este încărcată în proporție de 50 - 75 %
Sunt aprinse LED-urile 1 și 2	Bateria este încărcată în proporție de 25 - 50 %
Este aprins LED-ul 1	Bateria este încărcată în proporție de 0-25 %
LED-ul 1 se aprinde intermitent	Bateria este descărcată. Încărcați bateria.

### Încărcarea bateriei

Încărcați bateria înainte de prima utilizare. Bateria este încărcată în proporție de doar 30 % la livrarea către client.

**Nota:** Încărcătorul trebuie conectat la o sursă de alimentare având tensiunea și frecvența specificate pe plăcuța de identificare.

Bateria nu se încarcă dacă temperatura acesteia este mai mare de 50° C. Încărcătorul de baterii reduce temperatura bateriei înainte de a începe încărcarea.

1. Conectați un capăt al cablului de alimentare al încărcătorului la mufa acestuia.
2. Conectați celălalt capăt al cablului de alimentare al încărcătorului la o priză de curent cu împământare. LED-ul de pe încărcătorul bateriei se aprinde o singură dată, în culoarea verde. (Fig. 50)
3. Introduceți bateria în încărcătorul aferent. Lumina verde de pe încărcător se aprinde atunci când bateria este conectată corect la încărcător. (Fig. 51)
4. Atunci când toate LED-urile de pe baterie sunt aprinse, bateria este încărcată complet. Încărcați bateria timp de maximum 24 de ore.

5. Pentru a decupla încărcătorul de baterii de la priza de curent, trageți de ștecher și nu de cablul de alimentare.
6. Scoateți bateria din încărcător.

### Nivelul de încărcare a bateriei

O baterie Husqvarna Li-ion poate fi încărcată sau utilizată la toate nivelurile de încărcare. Bateria nu se deteriorează. O baterie complet încărcată nu-și reduce nivelul de încărcare atunci când este lăsată în încărcător.

Afișaj LED	Nivelul de încărcare
LED-ul 1 se aprinde intermitent	0%-25%
LED-ul 1 este aprins, LED-ul 2 se aprinde intermitent	25%-50%
LED-urile 1 și 2 sunt aprinse, LED-ul 3 se aprinde intermitent	50%-75%
LED-urile 1, 2 și 3 sunt aprinse, LED-ul 4 se aprinde intermitent	75%-100%
LED-urile 1, 2, 3 și 4 sunt aprinse	Încărcată complet

### Pentru încărcarea bateriei multiple

**Nota:** Încărcați bateria dacă este prima dată când o folosiți. O baterie nouă este încărcată doar până la 30 %.

1. Asigurați-vă că bateria este uscată.
2. Conectați bateria multiplă la adaptor. (Fig. 52)
3. Introduceți adaptorul în încărcătorul de baterie.
4. Asigurați-vă că LED-ul verde de încărcare de pe încărcătorul bateriei luminează. Aceasta indică conectarea corectă a adaptorului și a bateriei multiple. (Fig. 53)
5. Atunci când toate LED-urile de pe baterie luminează și adaptorul indică 100%, bateria este încărcată complet. (Fig. 54)  
Adaptorul indică starea de încărcare în pași de 1%. Sunt posibile mici abateri la începutul încărcării.
6. Pentru a deconecta încărcătorul de baterii de la priza de perete, trageți de ștecher. Nu trageți de cablu.
7. Scoateți adaptorul din încărcătorul de baterie.
8. Scoateți bateria multiplă din adaptor.

**Nota:** Consultați manualul bateriei multiple și al încărcătorului de baterie pentru mai multe informații.

## Pornirea produsului

1. Ridicați capacul bateriei.
2. Introduceți o baterie încărcată în compartimentul pentru baterii nr. 1 sub capacul bateriei. Pentru o durată mai lungă de funcționare, introduceți a doua baterie încărcată în compartimentul pentru baterii nr. 2.
3. Deconectați cheia de siguranță din suportul cheii de siguranță.
4. Împingeți cheia de siguranță în încuietoarea de siguranță. (Fig. 55)
5. Stați în spatele produsului.
6. Apăsăți butonul ON/OFF (Pornire/oprire) de pe panoul de control. Afășajul se aprinde.
7. Slăbiți inhibitorul de pornire. (Fig. 22)
8. Împingeți maneta frânei de motor în direcția mânerului. (Fig. 56)

## Utilizarea transmisiei pe roți (LC 551IV)

- Trageți maneta de transmisie în direcția mânerului pentru a porni transmisia. (Fig. 57)
- Apăsăți pe + și pe - de pe panoul de control, pentru a seta viteza de transmisie în 4 trepte. (Fig. 58)
- Eliberați maneta de transmisie pentru a dezactiva transmisia, de exemplu atunci când vă apropiați de un obstacol.

## Utilizarea funcției Save

Produsul are o funcție de economisire a bateriei (Save) care asigură o durată mai lungă de funcționare.

1. Apăsăți butonul Save (A) pentru a porni funcția. Simbolul SavE (B) de pe afășaj se aprinde.
2. Apăsăți din nou butonul SavE pentru a opri funcția. Simbolul SavE (B) de pe afășaj se stinge. (Fig. 59)

Funcția Save se dezactivează automat când condițiile la sol impun folosirea de mai multă putere. Funcția Save se activează din nou automat când condițiile la sol permit acest lucru.

## Funcția PowerBoost

Atunci când produsul taie iarbă lungă sau umedă, motorul își mărește automat turația. Pentru a economisi

energia bateriei, motorul revine automat la modul standard atunci când funcția PowerBoost nu este necesară.

## Oprirea produsului

Produsul se oprește automat dacă nu-l utilizați timp de 3 minute.

1. Eliberați maneta franei de motor pentru a opri motorul. (Fig. 21)
2. Apăsăți butonul ON/OFF (Pornire/oprire) de pe panoul de control. Toate luminile LED și simbolurile de pe afășaj se sting. (Fig. 60)
3. Scoateți cheia de siguranță din încuietoarea de siguranță și introduceți-o în suportul cheii de siguranță.

## Pentru a obține rezultate bune

- Utilizați întotdeauna o lamă ascuțită. O lamă tocită oferă rezultate neregulate, iar suprafața tăiată a ierbii se îngălbenește. De asemenea, o lamă ascuțită folosește mai puțină energie decât o lamă tocită.
- Nu tăiați niciodată mai mult de 1/3 din lungimea ierbii. Inițial, tundeți cu o înălțime mare de tăiere. Verificați rezultatul și coborâți înălțimea de tăiere la un nivel convenabil. Dacă iarba este foarte înaltă, deplasați aparatul încet și tundeți de două ori, dacă este necesar.
- Tăiați de fiecare dată în altă direcție, pentru a preveni formarea de dungi pe gazon.

## Pentru a tăia iarba fără a instala colectorul de iarbă sau obturatorul pentru resturi vegetale (LC 551IV)

1. Ridicați capacul posterior și scoateți colectorul de iarbă.
2. Dacă obturatorul pentru resturi vegetale și cuțitul de mărunchire sunt atașate, îndepărtați-le.
3. Închideți capacul posterior, înainte de utilizarea produsului.

Atunci când utilizați produsul, iarba tăiată este evacuată pe sub capacul posterior.

## Întreținerea

### Introducere



**AVERTISMENT:** Înainte de a efectua orice operații de întreținere, citiți și înțelegeți capitoul privind siguranța.

Toate lucrările de service și de reparații la produs necesită instruire specială. Garantăm disponibilitatea unor lucrări profesionale de reparații și service. Dacă

distribuitorul dvs. nu este agent de service, solicitați acestuia informații cu privire la cel mai apropiat agent de service.

### Program de întreținere

Intervalele de întreținere sunt calculate având în vedere o utilizare zilnică a produsului. Intervalele se modifică dacă produsul nu este utilizat zilnic.

Pentru operațiuni de întreținere identificate cu \*, consultați *Instrucțiunile de siguranță pentru utilizare la pagina 426.*

	La fiecare utilizare	Lunar	În fiecare sezon
Efectuați o inspecție generală	X		
Curățați apărătoarele transmisiei. Asigurați-vă că nu există iarbă pe motor	X		
Verificați inhibitorul de pornire *	X		
Asigurați-vă că dispozitivele de siguranță de pe produs nu sunt defecte *	X		
Verificați colectorul de iarbă pentru a detecta eventualele semne de uzură sau deteriorare	X		
Examinați echipamentul de tăiere	X		
Examinați capacul de tăiere *	X		
Verificați maneta frânei de motor *	X		
Asigurați-vă că butonul de pornire/oprire funcționează corect și nu este defect	X		
Verificați dacă bateria este deteriorată	X		
Verificați nivelul de încărcare a bateriei	X		
Asigurați-vă că butoanele de eliberare de pe baterie funcționează corect și că bateria este fixată în produs	X		
Curățați prizele de aer. Asigurați-vă că pe prizele de aer nu există iarbă sau reziduuri	X		
Verificați dacă încărcătorul de baterii nu prezintă deteriorări și asigurați-vă că funcționează corect		X	
Examinați conexiunile dintre baterie și produs. De asemenea, verificați conexiunea dintre baterie și încărcătorul de baterie			X

## Pentru a efectua o inspecție generală

- Asigurați-vă că șuruburile și piulițele produsului sunt strânse.
- Asigurați-vă că cablurile de pe produs nu sunt într-o poziție în care să poată fi deteriorate.

## Pentru a înlocui lama

1. Blocați cuțitul cu o bucată de lemn. (Fig. 61)
2. Îndepărtați bolțul cuțitului, șaiba elastică și cuțitul. (Fig. 62)
3. Verificați dacă există daune la suportul cuțitului și la bolțul cuțitului.
  - a) Dacă înlocuiți cuțitul sau suportul cuțitului, înlocuiți și bolțul cuțitului, șaiba elastică și șaiba de fricțiune.
4. Examinați arborele motorului, pentru a vă asigura că nu s-a îndoit.

5. Când montați un cuțit nou, asigurați-vă că capetele îndoită sunt îndreptate în direcția capacului de tăiere. (Fig. 63)
6. Poziționați șaiba de fricțiune și cuțitul pe suportul cuțitului. (Fig. 64)
7. Verificați alinierea cuțitului cu centrul arborelui motorului. (Fig. 65)
8. Blocați cuțitul cu o bucată de lemn. (Fig. 66)
9. Montați șaiba elastică și strângeți bolțul la un cuplu de 65-75 Nm. (Fig. 67)
10. Învârțiți cuțitul cu mâna și asigurați-vă că se rotește liber.



**AVERTISMENT:** Utilizați mănuși de protecție. Cuțitul este foarte ascuțit și vă puteți tăia foarte ușor.

11. Porniți produsul pentru a efectua un test al cuțitului. Dacă acesta nu este fixat corect, produsul vibrează sau rezultatele sunt nesatisfăcătoare.

## Curățarea produsului

- Curățați componentele din plastic cu o cârpă curată și uscată.
- Nu utilizați apă pentru a curăța produsul. Apa poate pătrunde în baterie sau în motor și poate provoca scurtcircuite sau poate avaria produsul.
- Nu utilizați o instalație de spălare cu presiune ridicată pentru a curăța produsul.
- Nu stropiți niciodată direct motorul cu apă.
- Folosiți o perie pentru a elimina frunzele, iarba și murdăria.

## Pentru a curăța bateria și încărcătorul



**ATENȚIE:** Nu curățați niciodată bateria sau încărcătorul cu apă.

- Asigurați-vă că bateria și încărcătorul sunt curate și uscate înainte să introduceți bateria în încărcător.
- Curățați bornele bateriei cu aer comprimat sau cu o cârpă moale și uscată.
- Curățați suprafețele bateriei și încărcătorul cu o cârpă moale și uscată.

## Pentru a examina echipamentul de tăiere



**AVERTISMENT:** Pentru a preveni pornirea accidentală, trageți în sus cheia de siguranță, scoateți bateria și așteptați cel puțin 5 secunde.



**AVERTISMENT:** Purtați mănuși de protecție când efectuați întreținerea echipamentului de tăiere. Cuțitul este foarte ascuțit și vă puteți tăia foarte ușor.

1. Examinați echipamentul de tăiere pentru a identifica eventuale deteriorări sau crăpături. Înlocuiți întotdeauna un echipament de tăiere deteriorat.
2. Observați cuțitul pentru a vedea dacă este deteriorat sau tocit.

**Nota:** După ascuțirea cuțitului, acesta trebuie echilibrat. Solicitați unui centru de service să ascuțească, să monteze la loc și să echilibreze cuțitul. Dacă loviți un obstacol care determină produsul să se oprească, înlocuiți cuțitul deteriorat. Solicitați centrului de service să estimeze dacă lama poate fi ascuțită sau trebuie înlocuită.

## Depanarea

### Bateria

LED pe baterie	Erori posibile	Procedură posibilă
LED-ul verde se aprinde intermitent	Tensiunea bateriei este redusă	Încărcați bateria. Consultați <i>Încărcarea bateriei la pagina 433</i> .
LED-ul de eroare se aprinde intermitent	Bateriei este aproape descărcată	Încărcați bateria. Consultați <i>Bateria la pagina 436</i> .
	Temperatura din mediul de lucru este prea mare sau prea mică	Utilizați bateria la temperaturi între -10°C și 40°C.
	Supratensiune	Verificați dacă tensiunea rețelei de alimentare este la fel cu cea indicată pe plăcuța de identificare de pe produs. Scoateți bateria din încărcător. Așteptați 5 secunde și încercați din nou să încărcați bateria. Dacă problema persistă, discutați cu un agent de service autorizat.
LED-ul de eroare este aprins	Diferență prea mare între baterii (1 V)	Discutați cu un agent de service autorizat.



## Încărcător pentru acumulator

LED-ul de pe încărcătorul de baterii	Erori posibile	Procedură posibilă
LED-ul de eroare se aprinde intermitent	Temperatura din mediul de lucru este prea mare sau prea mică	Utilizați încărcătorul de baterii la temperaturi între 5 °C și 40 °C.
LED-ul de eroare este aprins		Discutați cu un agent de service autorizat

## Panou control

Cod de eroare (număr de aprinderi intermitente)	Erori posibile	Procedură posibilă
1	Angrenajul transmisiei este prea fierbinte.	Lăsați produsul să se răcească. Asigurați-vă că nu există iarbă pe angrenajul transmisiei. Curățați apăratărea transmisiei, dacă este necesar.
5	Turația motorului scade prea mult și motorul se oprește.	Curățați capul tăietor și măriți înălțimea de tăiere. Consultați <i>Pentru a seta înălțimea de tăiere la pagina 432</i> . Dacă eroarea persistă, contactați agentul de service aprobat.
8	Bateria este slabă.	Încărcați bateria. Consultați <i>Încărcarea bateriei la pagina 433</i> .
9	Eroare la nivelul bateriei sau nu există semnal de la baterie.	Instalați bateria corect în produs și examinați conectorul bateriei. Dacă LED-ul de eroare de pe baterie se aprinde intermitent, consultați <i>Bateria la pagina 433</i> .
10	Controlul motorului este prea fierbinte.	Oprii motorul și așteptați să se răcească.
Alte erori	Dacă apar alte erori, scoateți cheia de siguranță și bateria și contactați un agent de service aprobat.	

## Transportul, depozitarea și eliminarea

### Introducere



**AVERTISMENT:** Pentru a preveni pornirea accidentală în timpul transportului, trageți în sus cheia de siguranță, scoateți bateria și așteptați cel puțin 5 secunde.

### Așezarea produsului în poziția pentru transport (LC 551iV)

- Slăbiți butoanele inferioare.
- Deplasați butoanele spre capătul inferior al canelurilor de pe partea stângă și de pe partea dreaptă a produsului. (Fig. 31)
- Plițați mânerul în față. (Fig. 68)
- Scoateți colectorul de iarbă.

### Transportul

- Cerințele din legislația privind bunurile periculoase se aplică pentru bateriile Li-ion incluse.
- Pentru transporturile comerciale cerințele speciale de pe ambalaj și etichete trebuie respectate.
- Respectați cu atenție reglementările privind materialele periculoase atunci când pregătiți produsul pentru transport. Pot exista reglementări locale aplicabile.
- Înainte de transport scoateți întotdeauna bateria.
- Aplicați bandă pe bornele bateriei și asigurați-vă că aceasta nu se poate deplasa în timpul transportului.
- Fixați produsul în timpul transportului.

### Depozitarea

- Înainte de depozitare scoateți întotdeauna bateria.

- Pentru a preveni accidentele, asigurați-vă că bateria nu este conectată la produs în timpul depozitării.
- Păstrați încărcătorul într-un spațiu închis și uscat.
- Păstrați bateria și încărcătorul de baterie într-un spațiu uscat unde nu pătrunde umezeala sau înghețul.
- Deconectați bateria de la încărcător în timpul depozitării.
- Nu depozitați bateria într-un loc unde poate apărea electricitatea statică. Nu depozitați bateria într-o cutie metalică.
- Păstrați bateria într-un loc unde temperatura este cuprinsă între 5 °C și 25 °C și departe de lumina soarelui.
- Păstrați încărcătorul de baterii într-un loc unde temperatura este cuprinsă între 5 °C și 45 °C și departe de lumina soarelui.
- Asigurați-vă că bateria este încărcată în proporție de 30 % - 50 % înainte de a o depozita pe o perioadă lungă.
- Păstrați produsul, bateria și încărcătorul de baterii într-un loc încuiat, la care nu au acces copii și persoanele neavizate.

- Curățați produsul și efectuați un service complet înainte de a depozita produsul pentru o perioadă lungă de timp.

## Dezafectarea

Simbolurile de pe produs sau de pe ambalajul acestuia indică faptul că acest produs nu poate fi tratat ca deșeu menajer. Trebuie trimis la un centru de reciclare corespunzător pentru recuperarea echipamentelor electrice și electronice.

Asigurându-vă că aveți grijă de acest produs în mod corect, puteți contribui la neutralizarea impactului negativ potențial asupra mediului înconjurător și asupra persoanelor; în caz contrar, putând conduce la gestionarea incorectă a deșeurilor acestui produs. Pentru informații mai detaliate referitoare la reciclarea acestui produs, contactați autoritățile, serviciul pentru deșeurii menajere sau magazinul de unde ați achiziționat produsul.

(Fig. 69)

## Date tehnice

### Date tehnice

	LB 548i	LC 551iV
<b>Motorul de tăiere</b>		
Tip de motor	BLDC (fără perii) 36 V	BLDC (fără perii) 36 V
Turația motorului - SavE, rot/min*	2600	2600
Turația motorului - valoare nominală, rot/min*	3000	3000
Turația motorului - sarcină ridicată, rot/min*	3300	3300
Putere motor - Valoare max., kW	1,8	1,8
Putere motor - Valoare nominală, kW	1,5	1,5
<b>Motorul de antrenare</b>		
Putere motor - Valoare nominală, kW	N/A	0,3
Viteză de deplasare independentă, km/h	N/A	3,0-5,0
Nivelurile de reglare a vitezei	N/A	4
<b>Greutate</b>		
Greutate fără baterie, kg	31	41
<b>Baterie</b>		
Tip de baterie	Seria Battery Husqvarna	Seria Battery Husqvarna
<b>Durata de utilizare a bateriei</b>		
Durata de utilizare a bateriei, min, (funcționare liberă) cu funcția SavE activată, cu o baterie Husqvarna de 5,2 Ah (Bli200).	40	30

	LB 548i	LC 551iV
Durata de utilizare a bateriei, min. (funcționare liberă) cu modul standard activat, cu o baterie Husqvarna de 5,2 Ah (BLi200).	30	20
<b>Emisii de zgomot</b> <sup>61</sup>		
Nivel de putere acustică măsurat dB(A)	93	97
Nivel de putere acustică garantat L <sub>WA</sub> dB(A)	93	97
<b>Niveluri de zgomot</b> <sup>62</sup>		
Nivel de presiune a sunetului la urechea operatorului, dB(A)	80	84
<b>Niveluri de vibrații</b> <sup>63</sup>		
Mâner, m/s <sup>2</sup>	0,3	0,3
<b>Echipament de tăiere</b>		
Înălțime de tăiere, mm	20-75	20-75
Lățime de tăiere, cm	48	51
Standard cujiț	Cujiț de mărunțire 597466510	Cujiț de colectare 597466310
Accesoriu lamă	N/A	Cujiț de mărunțire 597466410
Capacitate colector de iarbă, l	N/A	65

\* Rotații pe minut

KES VAN DER SPEK  
TUINMACHINES \* STOLWIJK

Baterii aprobate	Tip	Capacitate baterie, Ah	Tensiune, V	Greutate, lb/kg
BLi20	Litiu-ion	4,0	36	2,6/1,2
BLi200	Litiu-ion	5,2	36	2,8/1,3
BLi300	Litiu-ion	9,4	36	4,1/1,9
BLi550X	Litiu-ion	15,6	36	12,4/5,6
BLi950X	Litiu-ion	31,1	36	15,4/7,0

Încărcătoarele aprobate pentru bateriile specificate, BLI	Tensiune de intrare, V	Frecvență, Hz	Putere, W
QC80	100-240	50-60	80
QC80F	12	0	80

<sup>61</sup> Emisiile de zgomot în mediu măsurate ca putere acustică (L<sub>WA</sub>) în conformitate cu directiva CE 2000/14/CE.

<sup>62</sup> Datele raportate pentru presiunea nivelului de zgomot prezintă o distribuție statistică tipică (abatere standard) de 1,2 dB(A).

<sup>63</sup> Datele raportate pentru nivelul de vibrații prezintă o dispersie statistică tipică (abatere standard) de 0,2 m/s<sup>2</sup>. Standardul privind vibrațiile EN 60335-2-77:2017, capitolul 20.105

<b>Încărcătoarele aprobate pentru bateriile specificate, BLi</b>	<b>Tensiune de intrare, V</b>	<b>Frecvență, Hz</b>	<b>Putere, W</b>
QC330	100-240	50-60	330
QC500	100-240	50-60	500

**KEES VAN DER SPEK**  
TUINMACHINES ★ STOLWIJK

---

## Declarație de conformitate CE

---

### Declarație de conformitate CE

**Husqvarna AB**, SE-561 82 Huskvarna, Suedia, tel.:  
+46-36-146500, declară că **mașina pentru tuns gazonul**  
**Husqvarna LB 548i, LC 551iV** începând cu anul 2019,  
respectă cerințele DIRECTIVEI CONSILIULUI:

- din 8 iunie 2011 privind „restricțiile de utilizare a anumitor substanțe periculoase” **2011/65/UE**.
- din 17 mai 2006 „referitoare la utilaje” **2006/42/CE**
- din 26 februarie 2014 „referitoare la compatibilitatea electromagnetică” **2014/30/UE**
- din 8 mai 2000 „referitoare la emisiile de zgomot în mediul înconjurător” **2000/14/CE**

Informațiile privind emisiile de zgomot sunt specificate în secțiunea Date tehnice.

Au fost aplicate următoarele standarde:

**IEC 60335-1:2010, IEC 60335-2-77:2002, EN 60335-1:2012, EN 60335-2-77:2010 EN/IEC 62233:2008 EN 61000-6-3:2005 EN 61000-6-1:2005**

În absența altor indicații, standardele menționate mai sus reprezintă cele mai recente versiuni publicate.

Organismul notificat: **0404, RISE SMP Svensk Maskinprovning AB, Box 7035, SE-750 07 Uppsala** a efectuat evaluarea conformității conform Anexei VI la Directiva 2000/14/CE și a eliberat un certificat cu numărul: 01/901/324 (LB 548i), 01/901/323 (LC 551iV)

Huskvarna, 2020-01-20



Claes Losdal, Director de Dezvoltare/Produse de grădină (reprezentant autorizat al Husqvarna AB și responsabil cu documentația tehnică)

---

## Содержание

---

Введение.....	442	Поиск и устранение неисправностей.....	460
Безопасность.....	444	Транспортировка, хранение и утилизация.....	461
Сборка.....	454	Технические данные.....	462
Эксплуатация.....	455	Декларация соответствия ЕС.....	465
Техническое обслуживание.....	458		

---

## Введение

---

### Описание изделия

Изделие представляет собой пешеходную роторную газонокосилку. Модель LB 548i использует BioClip для измельчения травы в удобрение.

Модель LC 551iV собирает траву в травосборник. Снимите травосборник, чтобы трава отбрасывалась назад. Установите комплект для мульчирования

(дополнительная принадлежность), чтобы использовать скошенную траву в качестве удобрения.

### Назначение

Изделие предназначено для стрижки травы в частных садах. Запрещается использовать изделие для других видов работ.

### Обзор изделия

(Рис. 1)

1. Панель управления
2. Рукоятка моторного тормоза
3. Ограничитель запуска
4. Травосборник (LC 551iV)
5. Задняя крышка (LC 551iV)
6. Предохранительный ключ
7. Регулятор ручки (LC 551iV)
8. Рычаг регулировки положения ручки (LB 548i)
9. Крышка аккумулятора
10. Регулятор высоты стрижки (LC 551iV)
11. Кнопка ВКЛ./ВЫКЛ.
12. Кнопка SavE
13. Индикатор SavE
14. Индикатор аккумулятора
15. Индикатор уровня скорости
16. Кнопка уменьшения скорости
17. Кнопка увеличения скорости
18. Светодиодный индикатор ошибки
19. Режущая дека
20. Воздухозаборники
21. Паспортная табличка
22. Петля привода (LC 551iV)
23. Зарядное устройство аккумулятора (принадлежность)
24. Аккумулятор (принадлежность)
25. Блок аккумуляторов (принадлежность)
26. Переходная пластина (принадлежность)
27. Адаптер для блока аккумуляторов (принадлежность)

28. Руководство по эксплуатации

### Условные обозначения на изделии

(Рис. 2)

**ПРЕДУПРЕЖДЕНИЕ:**  
Изделие может представлять опасность и стать причиной тяжелой травмы или смерти оператора или окружающих.  
Соблюдайте осторожность и правила эксплуатации изделия.

(Рис. 3)

Перед началом работы с изделием внимательно прочитайте руководство по эксплуатации и убедитесь, что понимаете приведенные здесь инструкции.

- (Рис. 4) Следите за тем, чтобы в зоне проведения работ не было посторонних людей или животных.
- (Рис. 5) Берегитесь отскакивающих предметов и рикошетов.
- (Рис. 6) Предупреждение: Не приближайте руки или ноги к вращающемуся ножу.
- (Рис. 7) Предупреждение: Не приближайте руки или ноги к вращающимся частям.
- (Рис. 8) Извлеките предохранительный ключ перед выполнением ремонта или технического обслуживания.
- (Рис. 9) **Обозначения, касающиеся охраны окружающей среды.** Данное изделие и его упаковка не могут быть утилизированы в качестве бытовых отходов. Изделие необходимо передать в авторизованный пункт переработки электрического и электронного оборудования.
- (Рис. 10) Данное изделие отвечает требованиям соответствующих директив ЕС.
- (Рис. 11) Данное изделие отвечает требованиям соответствующих директив Таможенного союза ЕАЭС.
- (Рис. 12) Данное изделие отвечает требованиям соответствующих директив УкрСЕПРО.
- (Рис. 13) Данное изделие отвечает требованиям соответствующих директив RCM. Применимо только для Австралии/Новой Зеландии
- (Рис. 14) Уровень шума, излучаемого в окружающую среду, соответствует действующим директивам ЕС. Звуковое излучение данного изделия приведено в разделе *Технические данные на стр. 462* и на табличке.
- IPX4** Предусмотрена защита от брызг воды.
- IPX4**
- (Рис. 19) Процедура запуска: нажмите кнопку ВКЛ./ ВЫКЛ., разблокируйте ограничитель запуска, прижмите рукоятку моторного тормоза.

(Рис. 15) Для остановки отпустите рукоятку моторного тормоза.

(Рис. 16) Медленно

(Рис. 17) Быстро

(Рис. 18) Сканируемый код

**Примечание:** Другие символы/наклейки на изделии относятся к специальным требованиям сертификации на определенных рынках.

## Табличка на изделии

(Рис. 20)

Не приближайте руки или ноги к вращающимся ножам.

### Ответственность изготовителя

В соответствии с законами об ответственности изготовителя мы не несем ответственности за ущерб, вызванный эксплуатацией нашего изделия в результате:

- ненадлежащего ремонта изделия;
- использования для ремонта изделия неоригинальных деталей или деталей, не одобренных производителем;
- использования неоригинальных дополнительных принадлежностей или принадлежностей, не одобренных производителем;
- ремонта изделия в неавторизованном сервисном центре или неквалифицированным специалистом;

---

## Безопасность

---

### Инструкции по технике безопасности

Предупреждения, предостережения и примечания используются для выделения особо важных пунктов руководства.



#### **ПРЕДУПРЕЖДЕНИЕ:**

Используется, когда несоблюдение инструкций руководства может привести к травмам или смерти оператора или находящихся рядом посторонних лиц.



#### **ВНИМАНИЕ:**

Используется, когда несоблюдение

инструкций руководства может привести к повреждению изделия, других материалов или прилегающей территории.

**Примечание:** Используется для предоставления дополнительных сведений о конкретной ситуации.

### Общие инструкции по технике безопасности



**ПРЕДУПРЕЖДЕНИЕ:** В обязательном порядке прочитайте следующие инструкции по технике безопасности, прежде



## чем приступать к эксплуатации изделия.

---

- При небрежном или неправильном обращении изделие может оказаться опасным инструментом. Несоблюдение инструкций по технике безопасности может привести к травмам или смерти.
- Во время работы данное изделие создает электромагнитное поле. В определенных обстоятельствах это поле может создавать помехи для пассивных и активных медицинских имплантатов. В целях снижения риска серьезной или смертельной травмы лицам с медицинскими имплантатами рекомендуется проконсультироваться с врачом и изготовителем имплантата, прежде чем приступать к эксплуатации данного изделия.
- Будьте всегда осторожны и руководствуйтесь здравым смыслом. Если вы не уверены, как правильно эксплуатировать изделие в определенной ситуации, прекратите работу и проконсультируйтесь со своим дилером Husqvarna, прежде чем продолжить.
- Помните: ответственность за аварии, угрожающие другим людям или их имуществу, несет оператор.
- Содержите изделие в чистоте. Следите за тем, чтобы знаки и наклейки были легко читаемыми.
- Ни в коем случае не позволяйте использовать оборудование детям или лицам, не ознакомившимся с данными инструкциями. Допустимый возраст пользователя может быть ограничен местным законодательством.
- Не оставляйте без присмотра людей с физическими или умственными нарушениями, использующих изделие. Они должны постоянно находиться под присмотром взрослого.
- Ни в коем случае не используйте изделие, если вы устали, больны или находитесь под воздействием спиртного, наркотических веществ или лекарственных препаратов. Это может повлиять на ваше

зрение, реакцию, координацию или оценку действительности.

- Запрещается использовать изделие, если оно повреждено.
- Запрещается вносить в изделие модификации или использовать изделие, если вы подозреваете, что в его конструкцию внесены изменения другими лицами.

## Техника безопасности на рабочем месте



**ПРЕДУПРЕЖДЕНИЕ:** В обязательном порядке прочитайте следующие инструкции по технике безопасности, прежде чем приступить к эксплуатации изделия.

- Уберите ветви, сучья, камни и прочие посторонние предметы из рабочей зоны перед началом эксплуатации изделия.
- Предметы, ударяющиеся о режущий инструмент, могут быть отброшены, что приведет к травмам или повреждению имущества. Следите за тем, чтобы посторонние лица и животные находились на

безопасном расстоянии от изделия.

- Ни в коем случае не используйте изделие при неблагоприятных погодных условиях, например, в туман, дождь, при сильном ветре, низких температурах и риске удара молнии. Эксплуатация изделия при плохих погодных условиях или на сырых участках утомительна. Плохие погодные условия могут создавать опасные условия для работы, например, скользкие поверхности.
- Следите за возможным появлением посторонних лиц, предметов или условий, которые могут препятствовать безопасной эксплуатации изделия.
- Следите за возможным появлением препятствий, таких как корни, камни, сучья, ямы или рвы. Высокая трава может скрывать препятствия.
- Стрижка травы на склоне может представлять опасность. Не выполняйте стрижку на особо крутых склонах. Запрещается использовать изделие на участках с уклоном более 15°

- При смене направления движения на склоне проявляйте повышенную осторожность. Используйте изделие поперек поверхности склона. Не передвигайтесь вверх и вниз по поверхности склона.
- Проявляйте особую осторожность при приближении к скрытым из видимости поворотам или предметам, которые могут затруднять обзор.
- Убедитесь, что вы знаете, как быстро остановить двигатель в аварийной ситуации.
- Запрещается эксплуатировать изделие под дождем или в условиях высокой влажности. При попадании воды внутрь агрегата повышается риск поражения электрическим током.

## Техника безопасности



**ПРЕДУПРЕЖДЕНИЕ:** В обязательном порядке прочитайте следующие инструкции по технике безопасности, прежде чем приступить к эксплуатации изделия.

- Изделие предназначено исключительно для скашивания травы на газонах. Запрещается использовать изделие не по назначению.
- Пользуйтесь средствами индивидуальной защиты. См. раздел *Средства индивидуальной защиты на стр. 449.*
- Ни в коем случае не используйте изделие с отсутствующими или неправильно установленными кожухами или ножом. Неправильно установленный нож может высвободиться и причинить травму.
- Следите за тем, чтобы в нож не попали посторонние предметы, например, камни и корни. Это может затупить нож и привести к искривлению вала двигателя. При сгибании оси увеличивается уровень вибрации, что может привести к снижению надежности крепления ножа.
- В случае столкновения ножа с посторонним предметом или возникновения вибрации незамедлительно остановите изделие.

- Остановите двигатель, вытяните предохранительный ключ и извлеките аккумулятор. Проверьте изделие на наличие повреждений. Выполните ремонт повреждений или обратитесь в авторизованный сервисный центр для выполнения ремонта.
- Во время работы двигателя не прижимайте рукоятку моторного тормоза к рукоятке агрегата на длительный период времени.
  - При запуске изделие должно находиться на устойчивой, ровной поверхности. Убедитесь, что нож не касается грунта или любого другого предмета.
  - При работе с изделием всегда стойте сзади.
  - При работе с изделием все колеса должны стоять на земле; держите ручку обеими руками. Не приближайте руки или ноги к вращающимся ножам.
  - Запрещается наклонять изделие во время работы двигателя.
  - Соблюдайте осторожность, когда тянете изделие назад.
  - Запрещается поднимать изделие во время работы двигателя. В случае необходимости поднять изделие сначала выключите двигатель, вытяните предохранительный ключ и извлеките аккумулятор.
  - Запрещается двигать изделие назад при работе с изделием.
  - Останавливайте двигатель при пересечении не покрытых травой зон, например, дорожек из гравия, камня или асфальта.
  - Запрещается бегать с изделием во время работы двигателя. Работайте с изделием в спокойном темпе.
  - Выключайте двигатель, прежде чем изменить высоту стрижки. Ни в коем случае не выполняйте регулировку при работающем двигателе.
  - Ни в коем случае не выпускайте из вида изделие с работающим двигателем. Остановите двигатель и убедитесь, что режущее оборудование не вращается.

## Средства индивидуальной защиты



**ПРЕДУПРЕЖДЕНИЕ:** В обязательном порядке прочитайте следующие инструкции по технике безопасности, прежде чем приступить к эксплуатации изделия.

- Средства индивидуальной защиты не могут полностью исключить риск получения травмы, но при несчастном случае они снижают тяжесть травмы. За помощью по правильному выбору оборудования обращайтесь к дилеру.
- Используйте прочные, противоскользящие ботинки. Запрещается надевать открытую обувь или работать босиком.
- Надевайте прочные длинные брюки.
- При необходимости надевайте защитные перчатки, например, при закреплении, проверке или очистке режущего оборудования.

## Защитные устройства на изделии



**ПРЕДУПРЕЖДЕНИЕ:** В обязательном порядке прочитайте следующие инструкции по технике безопасности, прежде чем приступить к эксплуатации изделия.

- Запрещается использовать изделие с неисправными защитными устройствами.
- Регулярно выполняйте проверку защитных устройств. Если защитные устройства неисправны, обратитесь в сервисный центр Husqvarna.

### Проверка режущей деки

Режущая дека снижает уровень вибрации изделия и риск травмирования ножом.

- Проверьте режущую деку и убедитесь, что на ней отсутствуют повреждения, такие как трещины.

### Предохранительный ключ

Предохранительный ключ расположен под крышкой аккумулятора. Он подключает аккумулятор, от которого на двигатель поступает питание.

## Проверка предохранительного ключа

Предохранительный ключ подключает аккумулятор, от которого на двигатель поступает питание.

- Запустите и остановите двигатель. Если предохранительный ключ работает исправно, то двигатель можно запустить только при установке ключа в предохранительный замок.

## Рукоятка моторного тормоза

Рукоятка моторного тормоза предназначена для остановки двигателя. При отпускании рукоятки тормоза двигатель останавливается.

Чтобы проверить моторный тормоз, запустите двигатель, а затем отпустите рукоятку тормоза. Если двигатель не остановится через 3 секунды, обратитесь в авторизованный сервисный центр Husqvarna для регулировки моторного тормоза.

(Рис. 21)

## Проверка ограничителя запуска

Проверьте ограничитель запуска и убедитесь, что он блокирует работу двигателя.

1. Прижмите рукоятку моторного тормоза в направлении рукоятки агрегата. Ограничитель запуска остановит движение рукоятки.
2. Поверните ограничитель запуска в направлении, указанном стрелкой. (Рис. 22)
3. Разблокируйте ограничитель запуска и убедитесь, что он возвращается в исходное положение.

## Техника безопасности при работе с аккумулятором



**ПРЕДУПРЕЖДЕНИЕ:** В обязательном порядке прочитайте следующие инструкции по технике безопасности, прежде чем приступить к эксплуатации изделия.

- Используйте перезаряжаемые аккумуляторы Husqvarna

- только с теми изделиями Husqvarna, для которых они предназначены. Во избежание травм запрещается использовать аккумулятор в качестве источника питания других агрегатов.
- Запрещается использовать одноразовые аккумуляторы.
  - Риск поражения электрическим током. Не допускайте соприкосновения клемм аккумулятора с ключами, монетами, винтами или другими металлическими предметами. Это может привести к короткому замыканию аккумулятора.
  - Не размещайте посторонние предметы на воздухозаборниках аккумулятора.
  - Аккумулятор не должен подвергаться воздействию солнечного света, тепла или открытого пламени. Аккумулятор может взорваться, став причиной ожогов, в том числе химических.
  - Защищайте аккумулятор от дождя и сырости.
  - Не подвергайте аккумулятор воздействию микроволн и высокого давления.
  - Не пытайтесь разбирать или ломать аккумулятор.
  - При возникновении утечки из аккумулятора не допускайте попадания жидкости на кожу или в глаза. Если вы прикоснулись к жидкости, промойте участок контакта большим количеством воды и обратитесь за медицинской помощью.
  - Используйте аккумулятор при температуре в диапазоне от  $-10^{\circ}\text{C}$  до  $40^{\circ}\text{C}$ .
  - Очистка аккумулятора или зарядного устройства водой запрещена. См. раздел *Очистка аккумулятора и зарядного устройства на стр. 460.*
  - Запрещается использовать неисправный или поврежденный аккумулятор.
  - Храните аккумуляторы вдали от металлических предметов, таких как гвозди, монеты или ювелирные изделия.

## Техника безопасности при работе с зарядным устройством аккумулятора



**ПРЕДУПРЕЖДЕНИЕ:** В обязательном порядке прочитайте следующие инструкции по технике безопасности, прежде чем приступать к эксплуатации изделия.

- Для зарядки перезаряжаемых аккумуляторов Husqvarna используйте только зарядные устройства QC.
- Риск поражения электрическим током или короткого замыкания. Не размещайте посторонние предметы на воздухозаборниках зарядного устройства. Не пытайтесь разбирать зарядное устройство. Ни в коем случае не подключайте клеммы зарядного устройства к металлическим предметам. Используйте одобренные сетевые розетки.
- Во время работы данное изделие создает электромагнитное поле. В определенных обстоятельствах это поле может создавать помехи для пассивных и активных медицинских имплантатов. В целях снижения риска серьезной или смертельной травмы лицам с медицинскими имплантатами рекомендуется проконсультироваться с врачом и изготовителем имплантата, прежде чем приступать к эксплуатации данного изделия.
- Регулярно проверяйте кабель питания зарядного устройства на наличие повреждений или трещин.
- Не поднимайте зарядное устройство за кабель питания. Для отсоединения зарядного устройства от сетевой розетки потяните за вилку. Не тяните за кабель питания.
- Не допускайте контакта кабеля питания и удлинителя с водой, маслом или с острыми краями. Убедитесь, что кабель не передавлен дверью, калиткой и т.д. В противном случае зарядное устройство может оказаться под напряжением.



- Запрещается чистить аккумулятор и зарядное устройство водой.
- Дети старше 8 лет и лица с ограниченными физическими, сенсорными или умственными способностями или недостатком опыта и знаний могут использовать зарядное устройство только под надзором или в случае предоставления инструкций относительно безопасной эксплуатации оборудования и возможных рисков. Не позволяйте детям играть с зарядным устройством. Очистка и техническое обслуживание пользователем не должны проводиться детьми без надзора.
- Не пытайтесь заряжать одноразовые аккумуляторные батареи в зарядном устройстве.
- Запрещается использовать зарядное устройство вблизи легковоспламеняющихся материалов и материалов, которые вызывают коррозию. Не накрывайте зарядное устройство. Вытащите вилку зарядного устройства из розетки в

случае появления дыма или огня.

- Запрещается использовать неисправное или поврежденное зарядное устройство.
- Заряжайте аккумулятор только в хорошо проветриваемом помещении вдали от солнечных лучей. Запрещается заряжать аккумулятор в условиях высокой влажности.

### **Инструкции по технике безопасности во время технического обслуживания**



**ПРЕДУПРЕЖДЕНИЕ:** В обязательном порядке прочитайте следующие инструкции по технике безопасности, прежде чем приступить к эксплуатации изделия.

- Перед выполнением технического обслуживания изделия извлеките предохранительный ключ.
- Чтобы продлить срок службы агрегата и снизить вероятность несчастных случаев, соблюдайте все требования к проведению обслуживания. Для проведения ремонта

- обратитесь в авторизованный сервисный центр. Для получения дополнительной информации обратитесь в ближайшее представительство компании.
- Выполняйте техобслуживание строго в соответствии с инструкциями, приведенными в руководстве по эксплуатации.
  - При работе с режущим оборудованием используйте прочные перчатки. Нож очень острый, что при неосторожном обращении может легко привести к порезам.
  - Для повышения качества и безопасности работы регулярно затачивайте и чистите режущие края инструмента.
  - Регулярно обращайтесь в сервисный центр для проверки изделия и выполнения необходимой регулировки и ремонта.
  - Замените поврежденные, сломанные или изношенные детали.
  - Соблюдайте указания по замене принадлежностей. Пользуйтесь только оригинальными принадлежностями.
  - Храните изделие, аккумулятор и зарядное устройство по отдельности в сухом помещении под замком. Не допускайте к изделию, аккумулятору и зарядному устройству детей и лиц, не имеющих соответствующего разрешения.

---

## Сборка

---

### Введение



**ПРЕДУПРЕЖДЕНИЕ:** Перед сборкой изделия внимательно изучите раздел техники безопасности.

### Установка и извлечение блока аккумуляторов (принадлежность)

1. Снимите 4 резиновые крышки и 4 винта с крышки двигателя. (Рис. 23)
2. Установите переходную пластину на крышку двигателя.
3. Закрепите переходную пластину с помощью 4 прилагаемых винтов, затянув их моментом 5-6 Н·м. (Рис. 24)
4. Откройте крышку аккумулятора.
5. Извлеките аккумулятор из отсека 1. (Рис. 25)
6. Снимите уплотняющий стопор. (Рис. 26)
7. Вставьте адаптер для аккумуляторов в аккумуляторный отсек до щелчка. (Рис. 27)
8. Пропустите шнур адаптера для аккумуляторов через паз уплотняющего стопора. Закрепите шнур зажимом. (Рис. 28)
9. Установите блок аккумуляторов на соответствующий адаптер.

10. Подсоедините блок аккумуляторов к адаптеру. (Рис. 29)
  11. Прикрепите шнур адаптера для аккумуляторов к ручке с помощью 3 тканевых стяжек. (Рис. 30)
  12. Для снятия блока аккумуляторов выполните описанные выше действия в обратной последовательности.
3. Установите шайбу и рычаг регулировки положения ручки. (Рис. 33)
  4. При эксплуатации изделия около стены поверните рукоятку в сторону, чтобы обеспечить надлежащее рабочее положение. (Рис. 34)



**ПРЕДУПРЕЖДЕНИЕ:** Шнур не должен слишком свободно висеть на ручке. Шнур может сползти с ручки и стать причиной травмы.

## Сборка рукоятки (LC 551iV)

1. Ослабьте нижние ручки.
2. Переместите ручки в нижние положения в пазах с левой и правой стороны изделия. (Рис. 31)
3. Установите рукоятку в одно из 2 доступных положений по высоте.
4. Переместите ручки вверх в направлении рукоятки до упора. Вы должны услышать щелчок. (Рис. 32)
5. Надежно затяните ручки.

## Сборка ручки (LB 548i)

1. Отверните гайку ручки и снимите шайбу с пластины на верхней ручке.
2. Установите верхнюю ручку в соответствующее положение над нижней ручкой.



**ВНИМАНИЕ:** Убедитесь, что провода не защемлены и не повреждены.

## Установка травосборника (LC 551iV)

1. Установите раму травосборника на мешок травосборника таким образом, чтобы жесткая часть мешка оказалась внизу. Ручка рамы должна располагаться поверх мешка. (Рис. 35)
2. Установите нижнюю часть рамы травосборника в канавку в нижней части травосборника.
3. Закрепите мешок на раме травосборника зажимами. (Рис. 36)
4. Поднимите заднюю крышку.
5. Установите травосборник на верхний край шасси.
6. Поместите нижнюю часть травосборника в канал для выброса травы. (Рис. 37)

## Установка пробки для мульчирования (принадлежность LC 551iV)

1. Поднимите заднюю крышку и снимите травосборник.
2. Вставьте пробку для мульчирования в канал для выброса травы. (Рис. 38)
3. Замените нож ножом для мульчирования, поставляемым в составе комплекта для мульчирования. См. раздел *Замена ножа на стр. 459*.

# Эксплуатация

## Введение



**ПРЕДУПРЕЖДЕНИЕ:** Перед эксплуатацией прибора необходимо внимательно изучить раздел безопасности.

## Husqvarna Connect

Husqvarna Connect представляет собой бесплатное приложение для мобильного устройства. Приложение Husqvarna Connect позволяет пользоваться расширенными функциями вашего изделия Husqvarna:

- Дополнительная информация об изделии.
- Сведения о деталях и помощь в техническом обслуживании.

## Как начать использовать Husqvarna Connect

1. Загрузите приложение Husqvarna Connect на свое мобильное устройство.
2. Зарегистрируйтесь в приложении Husqvarna Connect.
3. Выполните пошаговые инструкции в приложении Husqvarna Connect для подключения и регистрации изделия.

## Парк оборудования Husqvarna™

"Парк оборудования Husqvarna™" — это решение на базе облачных технологий, которое предоставляет менеджеру коммерческого парка оборудования обзор всех доступных изделий. Услуга "Парк оборудования Husqvarna™" доступна для модели LC 551iV. Дополнительные сведения об услуге "Парк оборудования Husqvarna™" см. на веб-сайте [www.husqvarna.com](http://www.husqvarna.com).

## Подготовка датчика (принадлежность)

1. Используйте ключ датчика, чтобы открыть крышку датчика. (Рис. 39)
2. Снимите датчик.
3. Подключите аккумулятор к датчику. Загорится светодиодный индикатор датчика. (Рис. 40)
4. Скачайте приложение Husqvarna Fleet Services™ .
5. Войдите в учетную запись в приложении Husqvarna Fleet Services™ .
6. Выполните сопряжение. См. раздел *Выполнение сопряжения между приложением и изделием на стр. 456*

## Выполнение сопряжения между приложением и изделием

1. Войдите в учетную запись в приложении Husqvarna Fleet Services™ .
2. Выберите изделие в приложении.
3. Отсканируйте код на задней части датчиком с помощью своего мобильного устройства, чтобы добавить датчик в приложение.

**Примечание:** Сопряжение между приложением и изделием необходимо выполнить только один раз.

## Установка датчика

1. Убедитесь, что датчик подсоединен к приложению Husqvarna Fleet Services™ . См. раздел *Выполнение сопряжения между приложением и изделием на стр. 456*.
2. Просверлите 2 отверстия по меткам в пазе корпуса. (Рис. 41)

**Примечание:** Убедитесь, что отверстия соответствуют размерам заклепок, поставляемых с датчиком.

3. С помощью плоскогубцев снимите внешние части с отверстиями с пазов датчика. (Рис. 42)
4. Просверлите 2 отверстия по меткам в пазе датчика. (Рис. 43)
5. Совместите паз датчика с пазом корпуса. (Рис. 44)
6. Закрепите паз датчика заклепками.
7. Установите датчик в соответствующий паз. Совместите белую метку на датчике с меткой на пазе датчика. (Рис. 45)
8. Закройте крышку датчика и зафиксируйте ее с помощью ключа датчика. Убедитесь, что верхняя часть буквы "H" логотипа Husqvarna направлена в сторону от предохранительного ключа. (Рис. 46)

## Установка изделия в рабочее положение (LC 551iV)

1. Установите ручку в вертикальное положение. (Рис. 47)
2. Переместите регуляторы вверх в направлении ручки до упора. Вы должны услышать щелчок. (Рис. 32)
3. Надежно затяните ручки.

## Регулировка высоты стрижки

Высоту стрижки возможно установить на 6 разных уровнях.

1. Прижмите рычаг регулировки высоты стрижки к колесу, а затем отведите его назад для увеличения высоты стрижки.
2. Прижмите рычаг регулировки высоты стрижки к колесу, а затем отведите его вперед для уменьшения высоты стрижки. (Рис. 48)



**ВНИМАНИЕ:** Не устанавливайте высоту стрижки слишком низко. Ножи могут ударяться о землю, если поверхность газона неровная.

## Аккумулятор



**ПРЕДУПРЕЖДЕНИЕ:** Перед эксплуатацией аккумулятора ознакомьтесь с разделом, посвященным безопасности, и усвойте его содержание. Прочтите и усвойте также все сведения, приведенные в руководстве по эксплуатации аккумулятора и зарядного устройства.

## Состояние аккумулятора

Дисплей отображает оставшуюся емкость аккумулятора и наличие в нем неисправностей. Емкость аккумулятора отображается на дисплее в течение 5 секунд после отключения агрегата или после нажатия кнопки-индикатора аккумулятора. Предупреждающий знак на аккумуляторе загорается в случае возникновения ошибки. См. раздел *Аккумулятор на стр. 460*.

(Рис. 49)

Светодиодные индикаторы	Состояние аккумулятора
Все светодиоды горят	Аккумулятор полностью заряжен (75-100 %).
Светодиоды 1, 2, 3 горят.	Заряд аккумулятора — 50-75 %.
Светодиоды 1, 2 горят.	Заряд аккумулятора — 25-50 %.

Светодиодные индикаторы	Состояние аккумулятора
Светодиод 1 горит.	Заряд аккумулятора — 0-25 %.
Светодиод 1 мигает.	Аккумулятор разряжен. Зарядите аккумулятор.

## Зарядка аккумулятора

Зарядите аккумулятор перед первым использованием. Поставляемый аккумулятор заряжен только на 30%.

**Примечание:** Подсоединяйте зарядное устройство к сети питания с напряжением и частотой, указанными на паспортной табличке.

Зарядка не выполняется, если температура аккумулятора превышает 50°C. Прежде чем начать зарядку, зарядное устройство охлаждает аккумулятор до приемлемой температуры.

1. Вставьте один конец силового кабеля зарядного устройства в гнездо зарядного устройства.
2. Второй конец силового кабеля зарядного устройства вставьте в заземленную розетку сети электропитания. Светодиод на зарядном устройстве мигнет зеленым цветом один раз. (Рис. 50)
3. Вставьте аккумулятор в зарядное устройство. При правильном подключении аккумулятора к зарядному устройству загорается индикатор зеленого цвета. (Рис. 51)
4. Когда на аккумуляторе загорятся все светодиоды, это означает полную зарядку. Длительность зарядки аккумулятора не должна превышать 24 часа.
5. Чтобы отсоединить зарядное устройство от розетки, потяните не за кабель, а за штекер.
6. Извлеките аккумулятор из зарядного устройства.

## Состояние зарядки аккумулятора

Литий-ионный аккумулятор Husqvarna можно заряжать и использовать при любом уровне зарядки. Это не приведет к повреждению аккумулятора. Полностью заряженный аккумулятор не разряжается, даже если оставить его в зарядном устройстве.

Светодиодный дисплей	Состояние процесса зарядки
Светодиод 1 мигает.	0%-25%
Светодиод 1 горит, светодиод 2 мигает.	25%-50%
Светодиоды 1, 2 горят, светодиод 3 мигает.	50%-75%

Светодиодный дисплей	Состояние процесса зарядки
Светодиоды 1, 2, 3 горят, светодиод 4 мигает.	75%-100%
Горят светодиоды 1, 2, 3, 4	Полный уровень заряда

## Зарядка блока аккумуляторов

**Примечание:** Зарядите аккумулятор, если он используется вами в первый раз. Уровень заряда нового аккумулятора составляет 30%.

1. Убедитесь, что аккумулятор сухой.
2. Подсоедините блок аккумуляторов к адаптеру. (Рис. 52)
3. Установите адаптер в зарядное устройство.
4. Убедитесь, что на зарядном устройстве загорается зеленый светодиодный индикатор зарядки. Это означает, что адаптер и блок аккумуляторов подключены правильно. (Рис. 53)
5. Когда на аккумуляторе загорятся все светодиодные индикаторы и на адаптере отображается "100%", это означает полную зарядку. (Рис. 54)

Адаптер показывает уровень заряда с шагом 1%. В начале процесса зарядки возможны небольшие отклонения.

6. Для отсоединения зарядного устройства от сетевой розетки потяните за вилку. Не тяните за сам кабель.
7. Извлеките адаптер из зарядного устройства.
8. Извлеките блок аккумуляторов из адаптера.

**Примечание:** Дополнительную информацию см. в руководствах по эксплуатации блока аккумуляторов и зарядного устройства.

## Запуск изделия

1. Поднимите крышку аккумулятора.
2. Вставьте заряженный аккумулятор в аккумуляторный отсек № 1 под крышкой аккумулятора. Чтобы продлить время работы, вставьте второй заряженный аккумулятор в аккумуляторный отсек № 2.
3. Отсоедините предохранительный ключ от держателя предохранительного ключа.
4. Вставьте предохранительный ключ в предохранительный замок. (Рис. 55)
5. Стойте сзади изделия.
6. Нажмите кнопку ВКЛ./ВЫКЛ. на панели управления. Включится дисплей.

7. Разблокируйте ограничитель запуска. (Рис. 22)
8. Прижмите рукоятку моторного тормоза в направлении рукоятки агрегата. (Рис. 56)

## Использование привода колес (LC 551iV)

- Потяните петлю привода в направлении рукоятки, чтобы запустить привод. (Рис. 57)
- Нажмите на кнопки + и - на панели управления, чтобы выбрать одну из 4 скоростей. (Рис. 58)
- Отпустите петлю привода, чтобы отключить привод, например, при приближении к препятствию.

## Использование функции SavE

На агрегате предусмотрена функция экономии ресурса аккумулятора (SavE), которая продлевает время работы.

1. Чтобы включить эту функцию, нажмите кнопку SavE (A). На дисплее загорится значок SavE (B).
2. Чтобы отключить эту функцию, повторно нажмите кнопку SavE. Значок SavE (B) на дисплее погаснет. (Рис. 59)

Функция SavE автоматически отключается в тех случаях, когда условия работы требуют более высокой мощности агрегата. Функция SavE автоматически включается снова при наличии соответствующих условий работы.

## Функция PowerBoost

При стрижке высокой или влажной травы двигатель автоматически увеличивает число оборотов. Для экономии заряда аккумулятора двигатель автоматически переключается обратно на стандартный режим, когда функция PowerBoost не требуется.

## Остановка изделия

Если изделие не используется в течение 3 минут, оно автоматически выключается.

1. Отпустите рукоятку моторного тормоза, чтобы остановить двигатель. (Рис. 21)
2. Нажмите кнопку ВКЛ./ВЫКЛ. на панели управления. Все светодиодные индикаторы и значки на дисплее погаснут. (Рис. 60)
3. Извлеките предохранительный ключ из предохранительного замка и поместите его в держатель.

## Достижение оптимальных результатов

- Всегда пользуйтесь хорошо заточенным ножом. Затупившийся нож будет стричь траву неровно, и в месте среза трава будет желтеть. При использовании острого ножа также затрачивается меньше энергии, чем при работе с затупившимся ножом.
- Не срезайте более  $\frac{1}{3}$  всей длины травы. Выполните первую стрижку на большей высоте. Проверьте полученный результат и уменьшите высоту стрижки до необходимого уровня. Если трава высокая, передвигайте газонокосилку медленно и, при необходимости, используйте газонокосилку 2 раза.
- Если вы хотите избежать образования полос на вашем газоне, следует каждый раз стричь его в разных направлениях.

## Стрижка травы без установленного травосборника или пробки для мульчирования (LC 551iV)

1. Поднимите заднюю крышку и снимите травосборник.
2. Снимите установленные пробку и нож для мульчирования.
3. Прежде чем включить агрегат, закройте заднюю крышку.

Во время работы агрегата срезанная трава выбрасывается под заднюю крышку.

---

# Техническое обслуживание

---

## Введение



**ПРЕДУПРЕЖДЕНИЕ:** Перед выполнением техобслуживания необходимо внимательно изучить и понять раздел безопасности.

Для выполнения любых работ по сервисному обслуживанию и ремонту изделия необходимо пройти специальное обучение. Мы гарантируем доступность услуг по профессиональному ремонту и сервисному обслуживанию. Если ваш дилер не занимается сервисным обслуживанием, обратитесь к

нему для получения информации о ближайшем сервисном центре.

## График технического обслуживания

График технического обслуживания рассчитан исходя из ежедневного использования изделия. Если изделие не используется ежедневно, интервалы техобслуживания изменятся.

Сведения о техническом обслуживании, отмеченном знаком \*, см. в разделе *Инструкции по безопасности во время эксплуатации на стр. 449.*

	При каждом использовании	Ежемесячно	Каждый сезон
Выполните общий осмотр	X		
Очистите крышки трансмиссии. Проверьте, что на двигателе нет травы	X		
Проверьте работу ограничителя запуска *	X		
Убедитесь, что защитные устройства агрегата исправны *	X		
Проверьте травосборник на наличие износа или повреждений	X		
Проверьте режущее оборудование	X		
Проверьте режущую деку *	X		
Проверьте рукоятку моторного тормоза *	X		
Проверьте работу и состояние кнопки ВКЛ./ВЫКЛ.	X		
Проверьте аккумулятор на наличие повреждений	X		
Проверьте зарядку аккумулятора	X		
Проверьте работу кнопок фиксатора и надежность установки аккумулятора в агрегате	X		
Очистите воздухозаборники. Убедитесь, что на воздухозаборниках нет травы и грязи	X		
Проверьте состояние и исправность зарядного устройства для аккумулятора.		X	
Проверьте соединения между аккумулятором и агрегатом. Проверьте также соединения между аккумулятором и зарядным устройством			X

## Выполнение общего осмотра

- Проверьте затяжку гаек и винтов на изделии.
- Убедитесь, что расположение кабелей не допускает возможности их повреждения.

## Замена ножа

1. Заблокируйте нож деревянным бруском. (Рис. 61)
2. Снимите болт ножа, пружинную шайбу и нож. (Рис. 62)
3. Проверьте держатель ножа и болт ножа на наличие повреждений.
  - a) В случае замены ножа или держателя ножа болт ножа, пружинная шайба и фрикционная шайба также подлежат замене.
4. Осмотрите вал двигателя на наличие деформаций.
5. При установке нового ножа следите за тем, чтобы согнутые края были обращены в сторону режущей деки. (Рис. 63)
6. Приложите фрикционную шайбу и нож к держателю ножа. (Рис. 64)

7. Убедитесь, что нож выставлен по центру вала двигателя. (Рис. 65)
8. Заблокируйте нож деревянным бруском. (Рис. 66)
9. Установите пружинную шайбу и затяните болт моментом 65-75 Н·м. (Рис. 67)
10. Проверните нож рукой и убедитесь, что он свободно вращается.



**ПРЕДУПРЕЖДЕНИЕ:** Используйте защитные перчатки. Нож очень острый, что при неосторожном обращении может легко привести к порезам.

11. Запустите изделие, чтобы проверить работу ножа. Если нож установлен неправильно, вы ощутите вибрацию изделия, или результат стрижки будет неудовлетворительным.

## Очистка изделия

- Очистите пластмассовые детали чистой и сухой тканью.

- Не используйте воду для очистки изделия от загрязнений. Попадание воды в аккумулятор или двигатель может вызвать короткое замыкание или повредить изделие.
- Не используйте моечный агрегат высокого давления для очистки изделия.
- Не направляйте струю воды непосредственно на двигатель.
- Используйте щетку для удаления листьев, травы и грязи.

## Очистка аккумулятора и зарядного устройства



**ВНИМАНИЕ:** Очистка аккумулятора или зарядного устройства водой запрещена.

- Прежде чем устанавливать аккумулятор в зарядное устройство, убедитесь, что аккумулятор и зарядное устройство чистые и сухие.
- Используйте для очистки клемм аккумулятора сжатый воздух или мягкую и сухую ткань.
- Очистите поверхности аккумулятора и зарядного устройства мягкой и сухой тканью.

## Проверка режущего оборудования



**ПРЕДУПРЕЖДЕНИЕ:** Во избежание случайного запуска вытяните предохранительный ключ, извлеките аккумулятор и подождите не менее 5 секунд.



**ПРЕДУПРЕЖДЕНИЕ:** Надевайте защитные перчатки при техобслуживании режущего оборудования. Нож очень острый, что при неосторожном обращении может легко привести к порезам.

1. Проверьте режущее оборудование на наличие повреждений или трещин. Всегда заменяйте поврежденное режущее оборудование.
2. Осмотрите нож на наличие повреждений или следов притупления.

**Примечание:** После заточки ножа необходимо выполнить его балансировку. Обратитесь в сервисный центр для выполнения заточки, замены и балансировки ножа. При столкновении с препятствием, которое привело в остановку изделия, замените поврежденный нож. Сервисный центр должен определить, следует ли заточить нож или лучше его заменить.

## Поиск и устранение неисправностей

### Аккумулятор

Светодиодный индикатор аккумулятора	Возможные неисправности	Порядок устранения
Мигает зеленый светодиод	Низкое напряжение аккумулятора	Зарядите аккумулятор. См. раздел <i>Зарядка аккумулятора на стр. 457.</i>
Мигает светодиод ошибки	Слишком низкий заряд аккумулятора	Зарядите аккумулятор. См. раздел <i>Аккумулятор на стр. 460.</i>
	Слишком высокая или слишком низкая температура окружающей среды	Используйте аккумулятор при температуре в диапазоне от -10°C до 40°C.
	Перегрузка по напряжению	Убедитесь, что напряжение в сети соответствует значению, указанному на паспортной табличке изделия.  Извлеките аккумулятор из зарядного устройства. Подождите 5 секунд и снова попытайтесь зарядить аккумулятор. Если неисправность не устранена, обратитесь в авторизованный сервисный центр.



Светодиодный индикатор аккумулятора	Возможные неисправности	Порядок устранения
Горит светодиод ошибки	Слишком большая разница в напряжении ячеек (1 В)	Обратитесь в авторизованный сервисный центр.

## Зарядное устройство

Светодиод на зарядном устройстве аккумулятора	Возможные неисправности	Порядок устранения
Мигает светодиод ошибки	Слишком высокая или слишком низкая температура окружающей среды	Используйте зарядное устройство при температуре в диапазоне от 5°C до 40°C.
Горит светодиод ошибки		Обратитесь в авторизованный сервисный центр

## Панель управления

Код ошибки (количество миганий)	Возможные неисправности	Порядок устранения
1	Слишком высокая температура трансмиссии.	Дайте изделию остыть. Убедитесь, что на трансмиссии нет травы. При необходимости очистите крышку трансмиссии.
5	Слишком низкая частота вращения двигателя и, как следствие, останов двигателя.	Очистите режущую деку и увеличьте высоту стрижки. См. раздел <i>Регулировка высоты стрижки на стр. 456</i> . Если проблема не устранена, обратитесь в авторизованный сервисный центр.
8	Слишком низкий заряд аккумулятора.	Зарядите аккумулятор. См. раздел <i>Зарядка аккумулятора на стр. 457</i> .
9	Ошибка аккумулятора или отсутствие сигнала от аккумулятора.	Установите аккумулятор в агрегат надлежащим образом и проверьте разъем аккумулятора. Если на аккумуляторе мигает светодиодный индикатор ошибки, см. раздел <i>Аккумулятор на стр. 456</i> .
10	Слишком высокая температура системы управления двигателем.	Остановите двигатель и подождите, пока он остынет.
Прочие ошибки	При возникновении других ошибок извлеките предохранительный ключ и аккумулятор и обратитесь в авторизованный сервисный центр.	

## Транспортировка, хранение и утилизация

### Введение

аккумулятор и подождите не менее 5 секунд.



**ПРЕДУПРЕЖДЕНИЕ:** Во избежание случайного запуска во время транспортировки выньте предохранительный ключ, извлеките

## Установка изделия в положение для транспортировки (LC 551iV)

1. Ослабьте нижние ручки.
2. Переместите ручки в нижние положения в пазах с левой и правой стороны изделия. (Рис. 31)
3. Сложите рукоятку вперед. (Рис. 68)
4. Снимите травосборник.

## Транспортировка

- На литий-ионные аккумуляторы в комплекте изделия распространяются требования, предъявляемые к опасным товарам.
- Соблюдайте специальные требования к перевозке коммерческим транспортом, указанные на упаковке и ярлыках.
- При подготовке изделия к транспортировке тщательно выполняйте все требования, предъявляемые к опасным веществам. Могут также применяться требования местного законодательства.
- Перед транспортировкой всегда извлекайте аккумулятор.
- Заклейте разъемы аккумулятора лентой и закрепите аккумулятор таким образом, чтобы во время транспортировки он не мог сместиться.
- Надежно закрепите изделие на время транспортировки.

## Хранение

- Перед транспортировкой всегда извлекайте аккумулятор.
- Во избежание несчастных случаев при помещении изделия на хранение убедитесь, что в нем нет аккумулятора.
- Храните зарядное устройство в закрытом и сухом помещении.
- Храните аккумулятор и зарядное устройство в сухом отапливаемом помещении.

- Храните аккумулятор отдельно от зарядного устройства.
- Не допускается хранение аккумулятора в местах, где возможно возникновение статического электричества. Нельзя хранить аккумулятор в металлической коробке.
- Храните аккумулятор при температуре в пределах от 5°C до 25°C и не подвергайте воздействию прямых солнечных лучей.
- Храните зарядное устройство при температуре в пределах от 5°C до 45°C и не подвергайте воздействию прямых солнечных лучей.
- Перед помещением аккумулятора на длительное хранение убедитесь, что он заряжен до 30-50%.
- Храните изделие, аккумулятор и зарядное устройство в запечатом помещении, вне доступа детей и лиц, не имеющих соответствующего разрешения.
- Перед помещением изделия на длительное хранение очистите его от загрязнений и проведите полное обслуживание.

## Утилизация

Обозначения на изделии или его упаковке указывают, что данное изделие не может быть утилизировано в качестве бытовых отходов. Оно должно быть передано в соответствующий пункт для переработки электрического и электронного оборудования.

Обеспечив надлежащую утилизацию данного изделия, вы сможете предотвратить потенциальное отрицательное влияние на окружающую среду и здоровье людей, которое иначе могло быть последствием неправильной утилизации. Более подробную информацию о переработке данного изделия получите в Городском управлении, у службы, занимающейся переработкой бытовых отходов либо в магазине, где вы приобрели изделие.

(Рис. 69)

## Технические данные

### Технические данные

	LB 548i	LC 551iV
<b>Мотор привода ножей</b>		
Тип двигателя	Двигатель постоянного тока BLDC (бесщеточный), 36 В	Двигатель постоянного тока BLDC (бесщеточный), 36 В
Частота вращения двигателя – SavE, об/мин*	2600	2600
Частота вращения двигателя – номинальная, об/мин*	3000	3000
Частота вращения двигателя – высокая нагрузка, об/мин*	3300	3300

	<b>LB 548i</b>	<b>LC 551iV</b>
Мощность двигателя – макс., кВт	1,8	1,8
Мощность двигателя – номинальная, кВт	1,5	1,5
<b>Приводной мотор</b>		
Мощность двигателя - номинальная, кВт	Неприменимо	0,3
Скорость самостоятельного хода, км/ч	Неприменимо	3,0-5,0
Уровни регулировки скорости	Неприменимо	4
<b>Вес</b>		
Вес без аккумулятора, кг	31	41
<b>Аккумулятор</b>		
Тип аккумулятора	Аккумуляторная серия Husqvarna	Аккумуляторная серия Husqvarna
<b>Рабочий цикл аккумулятора</b>		
Время непрерывной работы аккумулятора, минуты, (на холостом ходу) с включенной функцией SavE, с одним аккумулятором Husqvarna 5,2 А·ч (Bli200).	40	30
Время непрерывной работы аккумулятора, минуты, (на холостом ходу) в стандартном режиме, с одним аккумулятором Husqvarna 5,2 А·ч (Bli200).	30	20
<b>Излучение шума</b> <sup>64</sup>		
Уровень мощности звука, измеренный, дБ(A)	93	97
Уровень мощности шума, гарантированный L <sub>WA</sub> дБ (A)	93	97
<b>Уровни шума</b> <sup>65</sup>		
Уровень шумового давления на уши оператора, дБ(A)	80	84
<b>Уровни вибрации</b> <sup>66</sup>		
На ручке, м/с <sup>2</sup>	0,3	0,3
<b>Режущее оборудование</b>		
Высота реза, мм	20-75	20-75
Рабочая ширина, см	48	51
Нож стандартный	Нож Mulch 597466510	Нож Collect 597466310
Нож, принадлежности	Неприменимо	Нож Mulch 597466410
Емкость травосборника, л	Неприменимо	65

\* Оборотов в минуту

<sup>64</sup> Излучение шума в окружающую среду измеряется как шумовой эффект (L<sub>WA</sub>) согласно Директиве ЕС 2000/14/ЕС.

<sup>65</sup> Указанные данные об уровне шумового давления имеют типичный статистический разброс (стандартное отклонение) в 1,2 дБ (A).

<sup>66</sup> Указанные данные об уровне вибрации имеют типичный статистический разброс (стандартное отклонение) 0,2 м/с<sup>2</sup>. Вибрация согласно стандарту EN 60335-2-77:2017 раздел 20.105

Рекомендованные аккумуляторы	Тип	Ресурс аккумулятора, А·ч	Напряжение, В	Масса, фунт/кг
BLi20	Литий-ионный	4,0	36	2,6/1,2
BLi200	Литий-ионный	5,2	36	2,8/1,3
BLi300	Литий-ионный	9,4	36	4,1/1,9
BLi550X	Литий-ионный	15,6	36	12,4/5,6
BLi950X	Литий-ионный	31,1	36	15,4/7,0

Рекомендованные зарядные устройства для указанных аккумуляторов, BLi	Входное напряжение, В	Частота, Гц	Мощность, Вт
QC80	100-240	50-60	80
QC80F	12	0	80
QC330	100-240	50-60	330
QC500	100-240	50-60	500


**Kees van der Spek**  
 TUINMACHINES ★ STOLWIJK

---

# Декларация соответствия ЕС

---

## Декларация соответствия ЕС

**Husqvarna AB**, SE-561 82 Huskvarna, Швеция, тел.: +46-36-146500, настоящим заявляет, что **газонокосилка Husqvarna LB 548i, LC 551iV** 2019 года выпуска и далее соответствует требованиям ДИРЕКТИВЫ СОВЕТА ЕС:

- от 8 июня 2011 года "об ограничении по использованию опасных веществ" **2011/65/EU**
- от 17 мая 2006 года "о механическом оборудовании" **2006/42/EC**
- от 26 февраля 2014 года "об электромагнитной совместимости" **2014/30/EU**
- от 8 мая 2000 года "об излучении шума в окружающую среду" **2000/14/EC**

Информация по излучению шума представлена в разделе "Технические данные".

Применяются следующие стандарты:

**IEC 60335-1:2010, IEC 60335-2-77:2002, EN 60335-1:2012, EN 60335-2-77:2010 EN/IEC 62233:2008 EN 61000-6-3:2005 EN 61000-6-1:2005**

Если не указано иначе, подразумевается последняя опубликованная редакция стандартов.

Зарегистрированная организация: **0404, RISE SMP Svensk Maskinprovning AB, Box 7035, SE-750 07 Uppsala** произвела оценку соответствия согласно приложению VI к Директиве 2000/14/ЕС и выпустила сертификат номер:01/901/324 (LB 548i), 01/901/323 (LC 551iV)

Huskvarna, 2020-01-20



Клаес Лосдал, Директор отдела разработок/Садовая техника (Уполномоченный представитель Husqvarna AB и ответственный за техническую документацию)

141400, Московская обл., Г. Химки, ул. Ленинградская, владение 39, строение 6, здание II этаж 4, ОВ02\_04, телефон горячей линии 8-800-200-1689

---

## Obsah

---

Úvod.....	466	Riešenie problémov.....	481
Bezpečnosť.....	468	Preprava, skladovanie a likvidácia.....	482
Montáž.....	476	Technické údaje.....	483
Prevádzka.....	476	ES vyhlásenie o zhode.....	485
Údržba.....	479		

---

## Úvod

---

### Popis výrobku

Tento výrobok je rotačná kosačka na trávu s chodiacou obsluhou. Model LB 548i využíva technológiu BioClip na nasekanie trávy na hnojivo.

Model LC 551iV zbiera trávu do zberného koša. Na vyprázdnenie trávy zo zadnej časti odstráňte zberný

kôš. Ak chcete trávu nasekať a použiť ako hnojivo, použite mulčovacíú súpravu (príslušenstvo).

### Plánované použitie

Výrobok používajte na kosenie trávy v súkromných záhradách. Výrobok nepoužívajte na iné účely.

### Prehľad výrobku

(Obr. 1)

1. Ovládací panel
2. Rukoväť motorovej brzdy
3. Poistka naštartovania
4. Zberný kôš (LC 551iV)
5. Zadný kryt (LC 551iV)
6. Bezpečnostný kľúč
7. Gombík na rukoväti (LC 551iV)
8. Nastavovacia páčka rukoväti (LB 548i)
9. Kryt batérie
10. Ovládač výšky rezu (LC 551iV)
11. Vypínač
12. Tlačidlo SavE
13. Indikátor SavE
14. Indikátor batérie
15. Indikátor úrovne rýchlosti
16. Tlačidlo zníženia rýchlosti
17. Tlačidlo zvýšenia rýchlosti
18. Chybový indikátor LED
19. Kryt rezacej časti
20. Otvory nasávania vzduchu
21. Výkonový štítok
22. Páka pohonu (LC 551iV)
23. Nabíjačka batérií (príslušenstvo)
24. Batéria (príslušenstvo)
25. Multibatéria (príslušenstvo)
26. Doštička adaptéra (príslušenstvo)
27. Adaptér multibatérie (príslušenstvo)
28. Návod na obsluhu

### Symbole na výrobku

(Obr. 2)

**UPOZORNENIE:** Tento výrobok môže byť nebezpečný a spôsobiť vážne poranenie alebo smrtenie obsluhujúceho pracovníka alebo iných osôb. Zachovávajte opatrnosť a používajte výrobok správnym spôsobom.

(Obr. 3)

Pred používaním tohto výrobku si prečítajte návod na obsluhu a uistite sa, že porozumiete uvedeným pokynom.

(Obr. 4)

Dbajte na to, aby osoby a zvieratá nevstupovali do pracovnej oblasti.

- (Obr. 5) Dávajte pozor na vymrštené predmety a spätné nárazy.
- (Obr. 6) Upozornenie: Udržiavajte ruky a chodidlá mimo dosahu rotujúceho noža.
- (Obr. 7) Upozornenie: Udržiavajte ruky a chodidlá mimo dosahu rotujúcich častí.
- (Obr. 8) Pred vykonávaním opravných prác alebo údržby vyberte bezpečnostný kľúč.
- (Obr. 9) **Označenie týkajúce sa ochrany životného prostredia.** Výrobok alebo jeho obal nepredstavuje komunálny odpad. Recyklujte ho v schválenom zariadení na likvidáciu elektrických a elektronických zariadení.
- (Obr. 10) Tento produkt je v súlade s príslušnými smernicami EÚ.
- (Obr. 11) Tento produkt je v súlade s príslušnými smernicami Euroázijskej colnej únie.
- (Obr. 12) Tento produkt je v súlade s príslušnými smernicami UkrSEPRO.
- (Obr. 13) Tento výrobok je v súlade s príslušnými smernicami

RCM. Platí iba pre AU a NZ.

- (Obr. 14) Emisie hluku do okolia sú v súlade s príslušnými smernicami EÚ. Emisie hluku výrobku sú uvedené v časti *Technické údaje na strane 483* a na štítku.

## **IPX4** S ochranou proti špliechajúcej vode. **IPX4**

- (Obr. 19) **Postup štartovania:** stlačte vypínač, uvoľnite poistku naštartovania, potlačte rukoväť motorovej brzdy nadol.
- (Obr. 15) Zastavte uvoľnením rukoväti motorovej brzdy.
- (Obr. 16) **Pomaly**
- (Obr. 17) **Rychlo**
- (Obr. 18) **Snímateľný kód**

---

**Poznámka:** Ostatné symboly/emblémy na výrobku odkazujú na zvláštne požiadavky certifikácie pre určité trhy.

---

## **Štítok na výrobku**

(Obr. 20)

Udržiavajte ruky a chodidlá mimo dosahu rotujúcich nožov.

## **Zodpovednosť za výrobok**

V súlade s právnymi predpismi upravujúcimi zodpovednosť za výrobok nenesieme zodpovednosť za škody spôsobené naším výrobkom v dôsledku:

- nesprávne vykonanej opravy výrobku,
- opravy výrobku, pri ktorej neboli použité diely od výrobcu alebo diely schválené výrobcom,
- používania príslušenstva od iného výrobcu alebo príslušenstva, ktoré nie je schválené výrobcom,
- opravy výrobku, ktoré neboli vykonané v schválenom servisnom stredisku alebo schválenými kompetentnými osobami.

### Bezpečnostné definície

Výstrahy, upozornenia a poznámky slúžia na zdôraznenie mimoriadne dôležitých častí návodu.



**VÝSTRAHA:** Používa sa, ak pre obsluhu alebo osoby v okolí existuje nebezpečenstvo poranenia alebo smrti v prípade nedodržania pokynov v návode.



**VAROVANIE:** Používa sa, ak hrozí nebezpečenstvo poškodenia produktu, iných materiálov alebo okolitej oblasti v prípade nedodržania pokynov v návode.

**Poznámka:** Používa sa na poskytnutie informácií nad rámec nevyhnutných informácií v danej situácii.

### Všeobecné bezpečnostné pokyny



**VÝSTRAHA:** Skôr než budete výrobok

používať, prečítajte si nasledujúce výstrahy.

---

- Tento výrobok je nebezpečný, ak sa nepoužíva správne alebo ak nie ste pri jeho používaní opatrní. V prípade nedodržania bezpečnostných pokynov hrozí poranenie alebo usmrtenie.
- Tento výrobok vytvára počas prevádzky elektromagnetické pole. Toto pole môže za určitých okolností spôsobovať rušenie aktívnych alebo pasívnych implantovaných lekárskeho prístrojov. Na zníženie rizika vážneho alebo smrteľného zranenia odporúčame, aby sa osoby s implantovanými lekárskeho prístrojmi poradili so svojím lekárom a výrobcom pomôcky ešte pred použitím tohto výrobku.
- Vždy zachovávajúte opatrnosť a riadte sa zdravým úsudkom. Ak si v určitých situáciách nie ste istí, ako máte výrobok používať, výrobok nepoužívajte a pred pokračovaním v práci sa poraďte s predajcom spoločnosti Husqvarna.



- Myslite na to, že operátor bude zodpovedný za nehody zahŕňajúce iné osoby alebo ich majetok.
- Výrobok udržiavajte čistý. Uistite sa, že sú symboly a emblémy čitateľné.
- Nikdy nedovoľte používať zariadenie deťom ani osobám, ktoré sa neoboznámili s návodom na používanie. Miestne predpisy môžu obmedzovať vek používateľa
- Osoby so zníženými fyzickými alebo duševnými schopnosťami musia byť počas používania výrobku vždy pod dozorom. Vyžaduje sa neustála prítomnosť zodpovednej dospelé osoby.
- Výrobok nepoužívajte, ak ste unavení, chorí alebo ste pod vplyvom alkoholu, drog alebo liekov. Vyššie uvedené prípady majú negatívny vplyv na váš zrak, ostražitosť, koordináciu a úsudok.
- Výrobok nepoužívajte, ak je poškodený.
- Výrobok žiadnym spôsobom neupravujte ani nepoužívajte, ak existuje možnosť, že bol upravený inými osobami.

## Bezpečnosť na pracovisku



**VÝSTRAHA:** Skôr než budete výrobok používať, prečítajte si nasledujúce výstrahy.

- Pred používaním výrobku odstráňte z pracovnej oblasti všetky predmety, ako sú napr. konáre, vetvy a kamene.
- Predmety, ktoré narazia na rezné zariadenie, môžu byť vymrštené a spôsobiť poranenie osôb alebo poškodenie iných predmetov. Dávajte pozor, aby okolo stojace osoby a zvieratá nevstupovali do pracovnej oblasti.
- Výrobok nikdy nepoužívajte počas nepriaznivých poveternostných podmienok, napríklad v hmle, v daždi, v silnom vetre, v silnom mraze, pri vysokom riziku búrky. Používanie výrobku počas nepriaznivých poveternostných podmienok alebo na vlhkých alebo mokrych miestach je namáhavé. Nepriaznivé poveternostné podmienky môžu mať za následok vznik nebezpečných podmienok, akými sú napr. klzké povrchy.

- Dávajte pozor na osoby, predmety a situácie, ktoré môžu zamedziť bezpečnej prevádzke výrobku.
- Dávajte pozor na prekážky, ako sú napr. korene, kamene, halúžky, jamy a priekopy. Vysoká tráva môže zakrývať prekážky.
- Kosenie trávy na svahoch môže byť nebezpečné. Nesnažte sa kosiť mimoriadne strmé svahy. Výrobok nepoužívajte na svahoch so sklonom viac ako 15°
- Pri zmene smeru jazdy na svahoch dávajte mimoriadny pozor. S výrobkom sa pohybujte po vrstevnici. Nepohybujte sa smerom do svahu a zo svahu.
- V blízkosti skrytých rohov a objektov, ktoré vám bránia vo výhlade, sa pohybujte opatrne.

## Bezpečnosť pri práci



**VÝSTRAHA:** Skôr než budete výrobok používať, prečítajte si nasledujúce výstrahy.

- Tento výrobok používajte len na kosenie trávy. Výrobok sa nesmie používať na iné úlohy.
- Používajte osobné ochranné pomôcky. Pozrite si časť

*Osobné ochranné prostriedky na strane 471.*

- Naučte sa, ako v prípade núdze rýchlo zastaviť motor.
- Výrobok nepoužívajte na daždi alebo vlhkých miestach. V prípade preniknutia vody do výrobku sa zvyšuje riziko zásahu elektrickým prúdom.
- Výrobok nepoužívajte, pokiaľ nie sú nôž a všetky kryty správne upevnené. Nesprávne pripojený nôž sa môže uvoľniť a spôsobiť poranenia osôb.
- Uistite sa, že nôž nenarazí na predmety, ako sú napr. kamene alebo korene. Môže dôjsť k poškodeniu noža a ohnutiu hriadeľa motora. Ohnutá náprava spôsobuje silné vibrácie a vzniká veľké nebezpečenstvo uvoľnenia noža.
- Ak nôž narazí na predmet alebo ak cítite vibrácie, výrobok okamžite vypnite. Zastavte motor, vyťahnite bezpečnostný kľúč a vyberte batériu. Skontrolujte, či nie je výrobok poškodený. Opravte akékoľvek poškodenie alebo kontaktujte servisného zástupcu.
- Keď je naštartovaný motor, rukoväť motorovej brzdy

nesmie byť nikdy trvalo pripevnená k rukoväti.

- Položte výrobok na stabilný, rovný povrch a naštartujte ho. Uistite sa, že sa nôž nedostane do kontaktu so zemou alebo inými predmetmi.
- Pri obsluhu vždy stojte za výrobkom.
- Pri obsluhu výrobku dávajte pozor, aby všetky kolesá dosadali na zem a rukoväť držte oboma rukami. Udržiavajte ruky a chodidlá mimo dosahu rotujúcich nožov.
- Keď je motor spustený, výrobok nenakláňajte.
- Pri ťahaní výrobku smerom dozadu buďte opatrní.
- Výrobok nikdy nedvíhajte, keď je spustený motor. Ak výrobok musíte zdvihnúť, najskôr zastavte motor, vytiahnite bezpečnostný kľúč a vyberte batériu.
- Počas obsluhy výrobku necúvajte.
- Pri prechádzaní cez oblasti bez trávy, ako sú napr. štrkové, kamenné a asfaltové chodníky, vypnite motor.
- Keď je zapnutý motor, s výrobkom neutekajte. Počas obsluhy výrobku vždy kráčajte.

- Pred zmenou výšky rezu zastavte motor. Nikdy nevykonávajte nastavenia so spusteným motorom.
- Nikdy nenechávajte výrobok bez dozoru, keď je zapnutý motor. Zastavte motor a uistite sa, že sa rezné zariadenie neotáča.

**Bezpečnostné pokyny pre prevádzku**

### **Osobné ochranné prostriedky**



**VÝSTRAHA:** Skôr než budete výrobok používať, prečítajte si nasledujúce výstrahy.

---

- Osobné ochranné prostriedky nedokážu úplne vylúčiť riziko, ale môžu znížiť vážnosť zranenia v prípade nehody. Váš predajca vám pomôže pri výbere správnych prostriedkov.
- Noste odolné protišmykové topánky. Výrobok neobsluhujte v otvorených topánkach ani s bosými nohami.
- Noste dlhé odolné nohavice.
- Keď je to potrebné, používajte ochranné rukavice, ako napríklad pri montáži, kontrole alebo čistení rezného zariadenia.

## Bezpečnostné zariadenia na výrobku



**VÝSTRAHA:** Skôr než budete produkt používať, prečítajte si nasledujúce výstrahy.

- Nepoužívajte produkt, ktorý má chybné bezpečnostné zariadenia.
- Pravidelne kontrolujte bezpečnostné zariadenia. Ak sú bezpečnostné zariadenia chybné, obráťte sa na servisného zástupcu spoločnosti Husqvarna.

### Kontrola krytu rezacej časti

Kryt rezacej časti tlmí vibrácie vo výrobku a znižuje riziko poranenia kotúčom.

- Skontrolujte kryt rezacej časti, aby ste sa uistili, že na ňom nie sú žiadne známky poškodenia, ako sú napr. praskliny.

### Bezpečnostný kľúč

Bezpečnostný kľúč sa nachádza pod krytom batérie.

Bezpečnostný kľúč slúži na pripojenie batérie, ktorá napája motor.

### Kontrola bezpečnostného kľúča

Bezpečnostný kľúč slúži na pripojenie batérie, ktorá napája motor.

- Spustíte a zastavíte motor. Ak bezpečnostný kľúč funguje správne, motor sa môže spustiť iba vtedy, keď je bezpečnostný kľúč v bezpečnostnom zámku.

### Rukoväť motorovej brzdy

Rukoväť motorovej brzdy slúži na zastavenie motora. Keď rukoväť motorovej brzdy uvoľníte, motor sa zastaví.

Ak chcete motorovú brzdú skontrolovať, naštartujte motor a potom uvoľníte rukoväť motorovej brzdy. Ak sa motor v priebehu 3 sekúnd nezastaví, požiadajte servisného zástupcu spoločnosti Husqvarna o nastavenie motorovej brzdy.

(Obr. 21)

### Kontrola poistky naštartovania

Skontrolujte poistku naštartovania, aby ste sa uistili, že zabraňuje prevádzke motora.

1. Potlačte páku pohonu smerom k hornej rukoväti. Poistka naštartovania zastaví pohyb.

2. Zatlačte poistku naštartovania smerom von. (Obr. 22)
3. Uvoľnite poistku naštartovania a uistite sa, že sa vráti do svojej pôvodnej polohy.

## Bezpečnosť batérie



**VÝSTRAHA:** Skôr než budete výrobok používať, prečítajte si nasledujúce výstrahy.

- Ako napájací zdroj používajte nabíjateľné batérie Husqvarna len pre výrobky typu Husqvarna. V prípade iných zariadení nepoužívajte batériu ako zdroj napájania, aby ste zabránili riziku zranenia.
- Nepoužívajte nenabíjateľné batérie.
- Nebezpečenstvo zásahu elektrickým prúdom. Nepripájajte konektory batérie ku kľúčom, minciam, skrutkám ani k iným kovovým predmetom. Môže dôjsť k skratu batérie.
- Do vetracích otvorov batérie nevkladajte žiadne predmety.
- Batériu nevystavuje priamemu slnečnému žiareniu, teplu ani otvorenému ohňu. Batéria

- môže vybuchnúť a spôsobiť popálenie alebo poleptanie.
- Batériu nevystavuje dažďu ani vlhku.
- Batériu nevystavuje mikrovlnnému žiareniu ani vysokému tlaku.
- Nepokúšajte sa rozoberať ani rozdrviť batériu.
- V prípade úniku kvapaliny z batérie zabráňte zasiahnutiu pokožky a očí kvapalinou. V prípade kontaktu s kvapalinou umyte zasiahnutú oblasť veľkým množstvom vody a vyhľadajte lekársku pomoc.
- Batériu používajte v prostredí, v ktorom sa teplota pohybuje od  $-10^{\circ}\text{C}$  do  $40^{\circ}\text{C}$ .
- Batériu ani nabíjačku batérií nečistite vodou. Pozrite si časť *Čistenie batérie a nabíjačky batérií na strane 480*.
- Nepoužívajte chybnú ani poškodenú batériu.
- Batérie uchovávajte v bezpečnej vzdialenosti od kovových predmetov, ako sú napr. klince, mince, šperky.

## Bezpečnosť nabíjačky batérií



**VÝSTRAHA:** Skôr než budete výrobok

používať, prečítajte si nasledujúce výstrahy.

---

- Na nabíjanie náhradných batérií Husqvarna používajte len nabíjačky batérií QC.
- Riziko zasiahnutia elektrickým prúdom alebo skratu. Do vetracích otvorov nabíjačky nekladajte žiadne predmety. Nabíjačku batérií sa nepokúšajte rozoberať. Koncovky nabíjačky nikdy nepripájajte ku kovovým predmetom. Používajte schválenú elektrickú zásuvku.
- Tento výrobok vytvára počas prevádzky elektromagnetické pole. Toto pole môže za určitých okolností spôsobovať rušenie aktívnych alebo pasívnych implantovaných lekárskeho prístrojov. Zníženie rizika podmienok, ktoré môžu viesť k vážnemu alebo aj smrteľnému poraneniu, si vyžaduje, aby sa osoby s implantovanými pomôckami poradili so svojim lekárom a výrobcom pomôcky ešte pred použitím tohto výrobku.
- Pravidelne kontrolujte, či napájací kábel nabíjačky batérií nie je poškodený a či na ňom nie sú praskliny.
- Nabíjačku batérií nedvíhajte za napájací kábel. Pri odpájaní nabíjačky batérií od sieťovej zásuvky ťahajte za zástrčku. Neťahajte za napájací kábel.
- Udržiavajte všetky napájacie káble a predlžovacie káble v bezpečnej vzdialenosti od vody, oleja a ostrých hrán. Ubezpečte sa, že kábel nie je privretý vo dverách, plotoch a podobne. Môže to spôsobiť, že nabíjačka bude pod napätím.
- Nabíjačku batérií nečistite vodou.
- Nabíjačku batérií smú používať deti od 8 rokov a osoby s obmedzenými fyzickými, zmyslovými alebo mentálnymi schopnosťami alebo s nedostatkom skúseností a vedomostí, pokiaľ sú pod dohľadom alebo boli poučené o bezpečnom používaní nabíjačky batérií a chápu súvisiace riziká. Deti sa nesmú s nabíjačkou batérií hrať. Deti nesmú vykonávať čistenie ani údržbu zariadenia, ak nie sú pod dozorom.
- Nenabíjateľné batérie nenabíjajte v nabíjačke batérií.
- Nabíjačku batérií nepoužívajte v blízkosti horľavých materiálov alebo materiálov,

ktoré spôsobujú koróziu.  
Nabíjačku batérií nezakrývajte.  
V prípade výskytu dymu alebo ohňa odpojte zástrčku nabíjačky batérií.

- Nepoužívajte chybnú alebo poškodenú nabíjačku batérií.
- Batériu nabíjajte len v interiéri na miestach s dobrým prúdením vzduchu a mimo slnečného svetla. Batériu nenabíjajte vo vlhkom prostredí.

## Bezpečnostné pokyny pre údržbu



**VÝSTRAHA:** Skôr než budete výrobok používať, prečítajte si nasledujúce výstrahy.

- Pred vykonaním údržby výrobku vytiahnite bezpečnostný kľúč.
- Správnym vykonaním údržby zvýšite životnosť výrobku a znížite nebezpečenstvo nehôd. Vykonanie odborných opráv zverte schválenému servisnému zástupcovi. Ďalšie informácie získate od najbližšieho servisného zástupcu.
- Vykonávajte len údržbu uvedenú v tomto návode na obsluhu.
- Pri používaní rezného zariadenia používajte odolné rukavice. Nôž je veľmi ostrý a ľahko môže dôjsť k porezaniu.
- Rezné hrany udržiavajte ostré a čisté, aby ste dosiahli ten najlepší a najbezpečnejší výkon.
- Nechajte výrobok pravidelne prehliadnúť servisným zástupcom a vykonať na ňom potrebné nastavenia a opravy.
- Vymeňte všetky poškodené, opotrebované alebo zlomené diely.
- Pri výmene príslušenstva sa riaďte pokynmi. Používajte iba príslušenstvo od daného výrobcu.
- Keď sa výrobok, batéria a nabíjačka batérií nepoužívajú, skladujte ich oddelene na suchom mieste uzamknuté v interiéri. Zaistite, aby sa k výrobku, batérii ani k nabíjačke batérií nedostali deti ani neoprávnené osoby.

---

## Montáž

---

### Úvod



**VÝSTRAHA:** Pred montážou výrobku si prečítajte kapitolu o bezpečnosti a uistite sa, že rozumiete informáciám, ktoré sa v nej uvádzajú.

### Inštalácia a odstránenie multibatérie (príslušenstvo)

1. Z krytu motora odstráňte 4 gumené kryty a 4 skrutky. (Obr. 23)
2. Umiestnite doštičku adaptéra na kryt motora.
3. Pripevnite doštičku adaptéra pomocou 4 skrutiek, ktoré sú dodávané ako príslušenstvo. Skrutky dotiahnite uťahovacím momentom 5 – 6 Nm. (Obr. 24)
4. Otvorte dverka batérie.
5. Vyberte batériu, ktorá sa nachádza v otvore číslo 1. (Obr. 25)
6. Odstráňte tesniacu zátku. (Obr. 26)
7. Zatláčajte adaptér batérie do priestoru batérie, kým sa neozve cvaknutie. (Obr. 27)
8. Prestrčte šnúru adaptéra batérie cez otvor na tesniacu zátku. Pripevnite šnúru pomocou príchytky. (Obr. 28)
9. Nainštalujte multibatériu na adaptér batérie.
10. Pripojte multibatériu k adaptéru batérie. (Obr. 29)
11. Pripevnite šnúru adaptéra batérie k rukoväti pomocou 3 textilných remienkov. (Obr. 30)
12. Ak chcete multibatériu odstrániť, postupujte rovnako, ale v opačnom poradí.



**VÝSTRAHA:** Nepripevňujte šnúru k rukoväti príliš uvoľnene. Šnúra by mohla z rukoväti spadnúť a spôsobiť zranenie.

### Montáž rukoväti (LC 551iV)

1. Uvoľnite spodné gombíky.
2. Posuňte gombíky smerom k spodnej časti drážok na ľavej a pravej strane výrobku. (Obr. 31)
3. Nastavte výšku rukoväti do jednej z 2 dostupných polôh.

4. Posuňte gombíky nahor smerom k rukoväti, kým sa nezastavia a nebudete počuť kliknutie. (Obr. 32)
5. Gombíky utiahnite na doraz.

### Montáž rukoväti (LB 548i)

1. Vyberte maticu držadla a podložku z dosky na hornom držadle.
2. Horné držadlo položte na hornú časť spodného držadla.



**VAROVANIE:** Uistite sa, že drôty nie sú zachytené alebo poškodené.

3. Pripevnite podložku a nastavovaciu páčku rukoväti. (Obr. 33)
4. Keď pracujete s výrobkom v blízkosti steny, otočte držadlo na stranu, aby ste mali dobrú pracovnú polohu. (Obr. 34)

### Zostavenie zberného koša (LC 551iV)

1. Pripojte rám zberného koša k vaku na trávu tak, aby pevná časť vaku bola na spodnej strane. Rukoväť rámu držte nad vakom na trávu. (Obr. 35)
2. Pripojte spodnú časť rámu zberného koša do drážky v spodnej časti zberného koša.
3. Vak na trávu pripojte k rámu zberného koša pomocou svoriek. (Obr. 36)
4. Nadvihnite zadný kryt.
5. Upevnite zberný kôš na horný okraj rámu.
6. Vložte spodnú časť zberného koša do kanála na vyhadzovanie trávy. (Obr. 37)

### Osadenie mulčovacej zarážky (LC 551iV príslušenstvo)

1. Nadvihnite zadný kryt a vyberte zberný kôš.
2. Do kanála na vyhadzovanie trávy vložte prípojku na mulčovanie. (Obr. 38)
3. Vymeňte nôž za mulčovací nôž dodaný so súpravou na mulčovanie. Pozrite si časť *Výmena noža na strane 480*.

---

## Prevádzka

---

### Úvod



**VÝSTRAHA:** Pred používaním výrobku si musíte prečítať kapitolu o bezpečnosti a

porozumieť informáciám, ktoré sa v nej uvádzajú.



## Husqvarna Connect

Husqvarna Connect je bezplatná aplikácia pre mobilné zariadenia. Aplikácia Husqvarna Connect prináša rozšírené funkcie pre výrobok Husqvarna:

- Rozšírené informácie o výrobku.
- Informácie a podpora vzťahujúce sa na súčasti výrobku a servis.

### Ak chcete začať, použite Husqvarna Connect

1. Stiahnite si aplikáciu Husqvarna Connect do mobilného zariadenia.
2. Zaregistrujte sa v aplikácii Husqvarna Connect.
3. Ak chcete pripojiť a zaregistrovať produkt, postupujte podľa pokynov v aplikácii Husqvarna Connect.

## Husqvarna Fleet Services™

Husqvarna Fleet Services™ je cloudové riešenie, ktoré ponúka správcovi strojového parku využívaného na komerčné účely prehľad všetkých výrobkov. Služba Husqvarna Fleet Services™ je súčasťou systému LC 551iV. Ďalšie informácie o službe Husqvarna Fleet Services™ nájdete na adrese [www.husqvarna.com](http://www.husqvarna.com).

### Príprava snímača (príslušenstvo)

1. Na otvorenie veka snímača použijete kľúč snímača. (Obr. 39)
2. Vyberte snímač.
3. Pripojte batériu k snímaču. LED svetlo na snímači sa rozsvieti. (Obr. 40)
4. Prevezmite aplikáciu Husqvarna Fleet Services™.
5. Prihláste sa do aplikácie Husqvarna Fleet Services™.
6. Vykonajte spárovanie. Pozrite si časť *Vykonanie spárovania medzi aplikáciou a výrobkom na strane 477*

### Vykonanie spárovania medzi aplikáciou a výrobkom

1. Prihláste sa do aplikácie Husqvarna Fleet Services™.
2. V aplikácii vyberte svoj výrobok.
3. Naskenovaním kódu pod snímačom pomocou mobilného zariadenia nainštalujete snímač v aplikácii.

**Poznámka:** Vykonanie spárovania medzi aplikáciou a výrobkom je potrebné vykonať iba raz.

### Inštalácia snímača

1. Uistite sa, či je snímač prepojený s aplikáciou Husqvarna Fleet Services™. Pozrite si časť *Vykonanie spárovania medzi aplikáciou a výrobkom na strane 477*.

2. Vo vyhradenom otvore vyvrtajte 2 diery podľa značiek. (Obr. 41)

**Poznámka:** Dbajte na to, aby mali diery rovnaký rozmer ako nity dodávané spolu so snímačom.

3. Pomocou klieští odstráňte vonkajšie otvory na sloty snímača. (Obr. 42)
4. Vyvrtajte 2 diery podľa značiek v sloty snímača. (Obr. 43)
5. Zarovnajtie slot snímača s vyhradeným otvorom. (Obr. 44)
6. Pripevnite slot snímača pomocou nitov.
7. Nainštalujte snímač do slotu snímača. Zarovnajtie bielu značku na snímači so značkou na sloty snímača. (Obr. 45)
8. Pomocou kľúča snímača uzatvorte veko na snímači. Dbajte na to, aby vrchol písmena „H“ symbolu značky Husqvarna smeroval od bezpečnostného kľúča. (Obr. 46)

### Nastavenie výrobku do prevádzkovej polohy (LC 551iV)

1. Nadvihnite rukoväť do vzpriamenej polohy. (Obr. 47)
2. Posuňte gombíky nahor smerom k rukoväti, kým sa nezastavia a nebudete počuť kliknutie. (Obr. 32)
3. Gombíky utiahnite na doraz.

### Nastavenie výšky rezu

Výšku rezu možno nastaviť v šiestich rôznych úrovniach.

1. Zatláče ovládač výšky rezu v smere kolieska a potom smerom dozadu, aby sa výška rezu zväčšila.
2. Zatláče ovládač výšky rezu v smere kolieska a potom smerom dopredu, aby sa výška rezu zmenšila. (Obr. 48)



**VAROVANIE:** Nenastavujte výšku rezu príliš nízko. Ak nie je povrch trávniky rovný, nože môžu narážať o zem.

### Batéria



**VÝSTRAHA:** Pred používaním batérie si musíte prečítať kapitolu o bezpečnosti a porozumieť informáciám, ktoré sa v nej uvádzajú. Okrem toho si musíte prečítať návod na obsluhu batérie a nabíjačky batérií a porozumieť jeho obsahu.

### Stav batérie

Na displeji sa zobrazuje zostávajúca kapacita batérie a prípadné problémy s batériou. Kapacita batérie sa zobrazí na 5 sekúnd po vypnutí výrobku alebo po stlačení tlačidla indikátora batérie. Výstražný symbol na

batérii sa rozsvieti, keď sa vyskytne chyba. Pozrite si časť *Batéria na strane 481*.

(Obr. 49)

LED svetlá	Stav batérie
Všetky LED svetlá svietia	Plne nabitá (75 – 100 %)
Svieti LED 1, LED 2, LED 3	Batéria je nabitá na 50 % – 75 %
Svieti LED 1, LED 2	Batéria je nabitá na 25 % – 50 %
Svieti LED 1	Batéria je nabitá na 0 % – 25 %.
Bliká LED 1	Batéria je vybitá. Nabite batériu.

## Nabíjanie batérie

Batériu nabite pred prvým použitím. Pri dodaní zákazníkovi je batéria nabitá len na 30 % kapacity.

**Poznámka:** Nabíjačka batérie musí byť pripojená k sieti s napätím a frekvenciou, ktoré sa uvádzajú na výkonnovom štítku.

Batéria sa nenabíja, ak teplota batérie prekročí 50 °C. Pred začiatkom nabíjania nabíjačka batérií zníži teplotu batérie.

1. Jeden koniec napájacieho kábla nabíjačky batérií pripojte k zásuvke na nabíjačke batérií.
2. Druhý koniec napájacieho kábla nabíjačky batérií pripojte k uzemnenej sieťovej zásuvke. Indikátor LED na nabíjačke batérií raz blikne nazeleno. (Obr. 50)
3. Vložte batériu do nabíjačky batérií. Po správnom pripojení batérie k nabíjačke batérií sa na nabíjačke rozsvieti zelený indikátor. (Obr. 51)
4. Keď svietia všetky indikátory LED na batérii, batéria je plne nabitá. Batériu nabíjajte maximálne 24 hodín.
5. Pri odpájaní nabíjačky batérií od sieťovej zásuvky ťahajte za zástrčku, nie za šnúru.
6. Vyberte batériu z nabíjačky batérií.

## Stav nabíjania batérie

Lítium-iónová batéria Husqvarna sa dá nabíjať a používať pri všetkých úrovniach nabitia. Batéria nie je poškodená. Kapacita úplne nabitých batérií sa neznižuje ani vtedy, keď ju necháte v nabíjačke.

LED displej	Stav nabíjania
Bliká LED 1	0 % – 25 %
LED 1 svieti, LED 2 bliká	25 % – 50 %

LED displej	Stav nabíjania
LED 1, LED 2 svietia, LED 3 bliká	50 % – 75 %
LED 1, LED 2, LED 3 svietia, LED 4 bliká	75 % – 100 %
LED 1, LED 2, LED 3, LED 4 svietia	Úplne nabitá

## Nabíjanie multibatérie

**Poznámka:** Ak batériu používate prvýkrát, nabite ju. Nová batéria je nabitá iba na 30 %.

1. Uistite sa, že je batéria suchá.
2. Pripojte multibatériu k adaptéru. (Obr. 52)
3. Vložte adaptér do nabíjačky batérie.
4. Uistite sa, či sa rozsvietil zelený indikátor LED nabíjania na nabíjačke batérie. To znamená, že adaptér a multibatéria sú správne pripojené. (Obr. 53)
5. Keď svietia všetky diódy LED na batérii a adaptér ukazuje 100 %, batéria je plne nabitá. (Obr. 54)  
Adaptér ukazuje stav nabitia v krokoch po 1 %. Na začiatku nabíjania sú možné malé odchýlky.
6. Pri odpájaní nabíjačky batérií od sieťovej zásuvky ťahajte za zástrčku. Neťahajte za kábel.
7. Vyberte adaptér z nabíjačky batérií.
8. Odpojte multibatériu od adaptéra.

**Poznámka:** Ďalšie informácie nájdete v návodoch k multibatérii a nabíjačke batérií.

## Zapnutie výrobku

1. Nadvihnite kryt batérií.
2. Nabitú batériu vložte do otvoru na batériu číslo 1 pod krytom batérií. Na zaistenie dlhšieho času prevádzky vložte druhú nabitú batériu do otvoru na batériu číslo 2.
3. Odpojte bezpečnostný kľúč od držiaka bezpečnostného kľúča.
4. Zasuňte bezpečnostný kľúč do bezpečnostného zámku. (Obr. 55)
5. Stojte za výrobkom.
6. Na ovládacom paneli stlačte tlačidlo ON/OFF (Zap./Vyp.). Rozsvieti sa displej.
7. Povoľte poistku naštartovania. (Obr. 22)
8. Potlačte páku pohonu smerom k hornej rukoväti. (Obr. 56)

## Používanie pohonu na kolesách (LC 551iV)

- Potiahnutím páky pohonu smerom k rukoväti spustíte pohon. (Obr. 57)
- Stláčaním tlačidiel + a – na ovládacom paneli v 4 krokoch nastavíte rýchlosť jazdy. (Obr. 58)
- Uvoľnením páky pohonu deaktivujete pohon, napr. keď sa pohybujete v blízkosti prekážky.

## Používanie funkcie SavE

Výrobok je vybavený funkciou na šetrenie energie batérie (SavE), ktorá mu umožní dosiahnuť dlhší prevádzkový čas.

1. Funkciu spustíte stlačením tlačidla SavE (A). Na displeji sa rozsvieti symbol SavE (B).
2. Funkciu SavE vypnete opätovným stlačením tlačidla SavE. Na displeji zhasne symbol SavE (B). (Obr. 59)

Funkcia SavE sa preruší automaticky, ak si stav terénu vyžaduje použiť vyšší výkon. Funkcia SavE sa automaticky opäť spustí, keď to stav terénu umožní.

## Funkcia PowerBoost

Keď výrobok kosí dlhú alebo mokrá trávu, motor automaticky zvýši otáčky. V záujme šetrenia životnosti batérie sa motor automaticky prepne späť do štandardného režimu, keď nie je potrebná funkcia PowerBoost.

## Zastavenie výrobku

Výrobok sa automaticky zastaví, ak ho nepoužívate aspoň 3 minút.

1. Motor zastavíte uvoľnením brzdovej rukoväti motora. (Obr. 21)
2. Na ovládacom paneli stlačte tlačidlo ON/OFF (Zap./Vyp.). Všetky diódy LED a symboly na displeji zhasnú. (Obr. 60)
3. Vyberte bezpečnostný kľúč z bezpečnostného zámku a vložte ho do držáka bezpečnostného kľúča.

## Zabezpečenie optimálnych výsledkov kosenia

- Vždy používajte ostrý nôž. Tupý nôž poskytuje nepravidelné výsledky kosenia a pokosený povrch trávnik zožltne. Ostrý nôž spotrebuje menej energie ako tupý nôž.
- Nekoste viac ako 1/3 dĺžky trávy. Najprv koste s nastavenou vysokou výškou rezu. Skontrolujte výsledok a znížte výšku rezu na príslušnú úroveň. Ak je tráva veľmi vysoká, pohybujte sa pomaly a ak je to potrebné, pokoste ju dvakrát.
- Zakaždým koste iným smerom, aby ste predišli vzniku pruhov na trávniku.

## Kosenie trávy bez pripojeného zberného koša alebo zasunutej mulčovacej zarážky (LC 551iV)

1. Nadvihnite zadný kryt a vyberte zberný kôš.
2. Ak sa používa mulčovacia zarážka a mulčovací nôž, demontujte ich.
3. Pred používaním výrobku zatvorte zadný kryt.

Pri používaní výrobku sa pokosená tráva vyhadzuje pod zadným krytom.

# Údržba

## Úvod



**VÝSTRAHA:** Pred vykonávaním akejkoľvek údržby si musíte prečítať kapitolu o bezpečnosti a porozumieť jej.

Údržba a opravné práce na výrobku si vyžadujú špeciálne školenie. Zaručujeme dostupnosť profesionálnych opravných prác a údržby. Ak váš predajca nie je servisný zástupca, kontaktujte predajcu, ktorý vám poskytne informácie o najbližšom servisnom zástupcovi.

## Plán údržby

Intervaly údržby sú vypočítané na základe každodenného používania výrobku. Ak sa výrobok nepoužíva každý deň, tieto intervaly sa menia.

Informácie o prvkoch údržby označených symbolom „\*“ nájdete v časti *Bezpečnostné pokyny pre prevádzku na strane 471*.

	Pri každom použití	Mesačne	Každú sezónu
Vykonajte všeobecnú kontrolu	X		
Vyčistite kryty prevodovky. Dbajte na to, aby sa na motore nenachádzali zvyšky trávy	X		

	Pri každom použití	Mesačne	Každú sezónu
Skontrolujte poistku naštartovania *	X		
Skontrolujte, či sú bezpečnostné zariadenia na produkte nepoškodené *	X		
Skontrolujte prípadné opotrebovanie alebo poškodenie zberného koša	X		
Skontrolujte rezné zariadenie	X		
Skontrolujte kryt rezacej časti *	X		
Skontrolujte rukoväť brzd motoru *	X		
Skontrolujte správnosť funkcie vypínača a zistite, či nemá poruchu	X		
Skontrolujte, či batéria nie je poškodená	X		
Skontrolujte nabitie batérie	X		
Skontrolujte, či uvoľňovacie tlačidlá na batérii fungujú správne a riadne zaistia batériu vo výrobku	X		
Vyčistite otvory nasávania vzduchu. Dbajte na to, aby sa na otvoroch nasávania vzduchu nenachádzali zvyšky trávy alebo nečistoty	X		
Skontrolujte, či nabíjačka batérií nie je poškodená, a presvedčte sa, či funguje správne		X	
Skontrolujte prepojenia medzi batériou a výrobkom. Skontrolujte aj prepojenie medzi batériou a nabíjačkou batérií			X

## Vykonanie všeobecnej kontroly

- Uistite sa, že sú dotiahnuté matice a skrutky na výrobku.
- Skontrolujte, či káble výrobku nie sú v polohe, v ktorej by sa mohli poškodiť.

## Výmena noža

1. Pomocou dreveného bloku zaistíte nôž. (Obr. 61)
2. Demontujte skrutku noža, pružnú podložku a čepeľ. (Obr. 62)
3. Skontrolujte podperu a skrutku noža, či nie sú poškodené.
  - a) Ak vymieňate nôž alebo podperu noža, vymeňte aj skrutku noža, pružnú a treciu podložku.
4. Skontrolujte hriadeľ motora a uistite sa, že nie je ohnutý.
5. Pri upevňovaní nového noža sa uistite, že ohnuté konce smerujú ku krytu rezacej časti. (Obr. 63)
6. Umiestnite treciu podložku a nôž na podperu noža. (Obr. 64)
7. Uistite sa, že je nôž zarovno so stredom hriadeľa motora. (Obr. 65)
8. Pomocou dreveného bloku zaistíte nôž. (Obr. 66)
9. Pripevnite pružnú podložku a utiahnite skrutku na utáhovací moment 65-75 Nm. (Obr. 67)

10. Rukou potočte nožom a uistite sa, že sa voľne otáča.



**VÝSTRAHA:** Používajte ochranné rukavice. Nôž je veľmi ostrý a ľahko môže dôjsť k porezaniu.

11. Zapnite výrobok a otestujte nôž. Ak nôž nie je správne upevnený, výrobok vibruje alebo poskytuje neuspokojivé výsledky kosenia.

## Čistenie výrobku

- Plastové diely čistite čistou a suchou handričkou.
- Výrobok neumývajte vodou. Voda môže preniknúť do batérie alebo motora a spôsobiť skrat alebo poškodenie výrobku.
- Na čistenie výrobku nepoužívajte vysokotlakový čistič.
- Nikdy nelejte vodu priamo na motor.
- Pomocou kefy odstráňte listy, trávu a nečistoty.

## Čistenie batérie a nabíjačky batérií



**VAROVANIE:** Batériu ani nabíjačku batérií nečistite vodou.

- Pred vložením batérie do nabíjačky batérií skontrolujte, či sú batéria a nabíjačka batérií čisté a suché.

- Svorky batérie čistite stlačeným vzduchom alebo mäkkou a suchou handričkou.
- Povrch batérie a nabíjačky batérií čistite mäkkou a suchou handričkou.

Nôž je veľmi ostrý a ľahko môže dôjsť k porezaniu.

## Kontrola rezného zariadenia



**VÝSTRAHA:** Aby ste zabránili náhodnému spusteniu, vytiahnite bezpečnostný kľúč, vyberte batériu a počkajte minimálne 5 sekúnd.



**VÝSTRAHA:** Pri vykonávaní údržby rezného zariadenia používajte ochranné rukavice.

1. Skontrolujte, či sa na reznom zariadení nenachádzajú známky poškodenia alebo praskliny. Poškodené rezné zariadenie vždy vymeňte.
2. Skontrolujte, či nie je poškodený alebo tupý nôž.

**Poznámka:** Po nabrúsení je potrebné nôž vyrovať. Nôž nechajte nabrúsiť, vymeniť a vyrovať v servisnom stredisku. Ak narazíte na predmet, ktorý spôsobí zastavenie výrobku, vymeňte poškodený nôž. Nechajte, aby servisné stredisko rozhodlo, či je možné nôž nabrúsiť alebo sa musí vymeniť.

## Riešenie problémov

### Batéria

Indikátory LED na batérii	Možné poruchy	Možný postup
Bliká zelený indikátor LED	Napätie batérie je nízke	Nabite batériu. Pozrite si časť <i>Nabíjanie batérie na strane 478</i> .
Bliká indikátor LED, ktorý signalizuje poruchu	Kapacita batérie je nízka	Nabite batériu. Pozrite si časť <i>Batéria na strane 481</i> .
	Teplota pracovného prostredia je príliš vysoká alebo príliš nízka	Batériu používajte v prostredí, v ktorom sa teplota pohybuje od -10 °C do 40 °C.
	Prepätie	Skontrolujte, či sieťové napätie zodpovedá údajom uvedenému na výkonovom štítku výrobku.  Vyberte batériu z nabíjačky batérií. Počkajte 5 sekúnd a znova vyskúšajte nabiť batériu. Ak problém pretrváva, obráťte sa na autorizovaného servisného zástupcu.
Svieti indikátor LED, ktorý signalizuje poruchu	Rozdiel v článkoch príliš veľký (1 V)	Obráťte sa na schváleného servisného zástupcu.

### Nabíjačka batérií

Indikátor LED na nabíjačke batérií	Možné poruchy	Možný postup
Bliká indikátor LED, ktorý signalizuje poruchu	Teplota pracovného prostredia je príliš vysoká alebo príliš nízka	Nabíjačku batérií používajte pri teplotách od 5 °C do 40 °C.
Svieti indikátor LED, ktorý signalizuje poruchu		Obráťte sa na schváleného servisného zástupcu

## Ovládací panel

Chybový kód (počet bliknutí)	Možné poruchy	Možný postup
1	Prevodovka je príliš horúca.	Nechajte výrobok vychladnúť. Dbajte na to, aby sa na prevodovke nenachádzali zvyšky trávy. V prípade potreby vyčistite kryty prevodovky.
5	Otáčky motora výrazne klesajú a motor sa zastavuje.	Vyčistite kosiace zariadenie a zvýšte výšku rezu. Pozrite si časť <i>Nastavenie výšky rezu na strane 477</i> . Ak problém pretrváva, obráťte sa na schváleného servisného zástupcu.
8	Kapacita batérie je nízka.	Nabite batériu. Pozrite si časť <i>Nabíjanie batérie na strane 478</i> .
9	Chyba batérie alebo žiaden signál z batérie.	Vložte batériu do výrobku správne a skontrolujte konektor batérie. Ak bliká dióda LED signalizujúca poruchu na batérii, pozrite si časť <i>Batéria na strane 477</i> .
10	Riadenie motora je príliš horúce.	Zastavte motor a počkajte, kým nevychladne.
Ďalšie chyby	Ak sa vyskytnú ďalšie chyby, vyberte bezpečnostný kľúč a batériu a obráťte sa na autorizovaného servisného zástupcu.	

## Preprava, skladovanie a likvidácia

### Úvod



**VÝSTRAHA:** Neúmyselnému spusteniu počas prepravy predídete vytiahnutím bezpečnostného kľúča, vybratím batérie a aspoň 5-sekundovou prestávkou.

### Nastavenie výrobku do transportnej polohy (LC 551IV)

1. Uvoľníte spodné gombíky.
2. Posuňte gombíky smerom k spodnej časti drážok na ľavej a pravej strane výrobku. (Obr. 31)
3. Skopte držadlo dopredu. (Obr. 68)
4. Odstráňte zberný kôš

### Preprava

- Právne predpisy upravujúce nebezpečný tovar sa vzťahujú aj na používané lítium-iónové batérie.
- Pri obchodnej preprave treba dodržiavať špeciálne požiadavky týkajúce sa balenia a štítkov.
- Počas prípravy výrobku na prepravu zaistíte, aby ste splňali právne predpisy týkajúce sa nebezpečných materiálov. Na túto situáciu sa môžu vzťahovať aj miestne nariadenia.
- Pred prepravou vždy vyberte batériu.

- Konektory batérie prelepte páskou a zaistíte, aby sa batéria počas prepravy nehýbala.
- Počas prepravy výrobok zaistíte.

### Skladovanie

- Pred uložením vždy vyberte batériu.
- Aby ste predišli nehodám, ubezpečte sa, že batéria nie je počas skladovania pripojená k výrobku.
- Nabíjačku batérie skladujte v uzavretých a suchých priestoroch.
- Batériu a nabíjačku batérie skladujte v uzavretých a suchých priestoroch, kde nie sú vystavené vlhkosti ani mrazu.
- Počas skladovania odpojte batériu od nabíjačky.
- Neskladujte batériu na mieste s výskytom statickej elektriny. Batériu nekladajte do kovovej skrinky.
- Batériu skladujte v priestoroch, kde sa teplota pohybuje od 5 °C do 25 °C, a nikdy ju nevystavujte priamemu slnečnému svetlu.
- Nabíjačku batérie skladujte v priestoroch, kde sa teplota pohybuje od 5 °C do 45 °C, a nikdy ju nevystavujte priamemu slnečnému svetlu.
- Pred dlhodobým skladovaním sa uistite, že batéria je nabitá na 30 – 50 % kapacity.
- Výrobok, batériu a nabíjačku batérie skladujte v uzamknutom priestore mimo dosahu detí a neoprávnených osôb.

- Pred dlhodobým uskladnením výrobok vyčistíte a vykonajte kompletný servis.

## Likvidácia

Symbole na výrobku alebo na obale výrobku označujú, že sa tento výrobok nesmie likvidovať ako domáci odpad. Musí sa odovzdať do príslušnej recyklačnej stanice pre recykliáciu elektrických a elektronických zariadení.

Zaistením správnej likvidácie tohto výrobku pomôžete zabrániť potenciálnemu negatívnemu dopadu na životné prostredie a zdravie ľudí, ktorý by inak mohol byť dôsledkom nesprávnej likvidácie tohto výrobku. Podrobnejšie informácie o recykliácii tohto výrobku získate na mestskom úrade, od služby zaisťujúcej spracovanie domáceho odpadu alebo v predajni, kde ste výrobok zakúpili.

(Obr. 69)

## Technické údaje

### Technické údaje

	LB 548i	LC 551IV
<b>Kosiaci motor</b>		
Typ motora	BLDC (bezkontaktný) 36V	BLDC (bezkontaktný) 36V
Otáčky motora – SavE, ot./min*	2600	2600
Otáčky motora – menovité, ot./min*	3 000	3 000
Otáčky motora – vysoké zaťaženie, ot./min*	3300	3300
Výstupný výkon motora – max., kW	1,8	1,8
Výstupný výkon motora – menovitý, kW	1,5	1,5
<b>Hnací motor</b>		
Výstupný výkon motora – menovitý, kW	–	0,3
Rýchlosť kráčania, km/h	–	3,0 – 5,0
Úrovne nastavenia rýchlosti	–	4
<b>Hmotnosť</b>		
Hmotnosť bez batérie, kg	31	41
<b>Batéria</b>		
Typ batérie	Rad batérií Husqvarna	Rad batérií Husqvarna
<b>Prevádzková doba batérie</b>		
Prevádzková doba batérie, min, (prevádzka naprázdno) s aktivovanou funkciou SavE, s batériou 5,2 Ah Husqvarna (BLi200).	40	30
Prevádzková doba batérie, min, (prevádzka naprázdno) s aktivovaným štandardným režimom, s 5,2 Ah batériou Husqvarna (Bli200).	30	20
<b>Emisie hluku</b> <sup>67</sup>		
Nameraná úroveň hlučnosti dB(A)	93	97
Zaručená úroveň hlučnosti L <sub>WA</sub> dB(A)	93	97
<b>Úrovne hlučnosti</b> <sup>68</sup>		

<sup>67</sup> Hladina hluku meraná ako akustický tlak (L<sub>WA</sub>) v súlade s európskou smernicou 2000/14/ES.

<sup>68</sup> Uvádzané údaje pre hladinu akustického tlaku majú typický štatistický rozptyl (štandardnú odchýlku) 1,2 dB (A).

	LB 548i	LC 551iV
Hladina akustického tlaku pri uchu obsluhy, dB (A)	80	84
<b>Úrovne vibrácií<sup>69</sup></b>		
Rukoväť, m/s <sup>2</sup>	0,3	0,3
<b>Rezné zariadenie</b>		
Výška rezu, mm	20 – 75	20 – 75
Šírka kosenia, cm	48	51
Štandardný nôž	Mulčovaci nôž 597466510	Zberaci nôž 597466310
Príslušenstvo nožov	–	Mulčovaci nôž 597466410
Kapacita zberného koša, l	–	65

\* Otáčky za minútu

Schválené batérie	Typ	Kapacita batérie, Ah	Napätie, V	Hmotnosť, kg (lb)
BLi20	Lítium-iónová	4,0	36	2,6/1,2
BLi200	Lítium-iónová	5,2	36	2,8/1,3
BLi300	Lítium-iónová	9,4	36	4,1/1,9
BLi550X	Lítium-iónová	15,6	36	12,4/5,6
BLi950X	Lítium-iónová	31,1	36	15,4/7,0

KES VAN DER SPEK  
TUINMACHINES \* STOLWIJK

Schválené nabíjačky pre uvedené batérie, BLi	Vstupné napätie, V	Frekvencia, Hz	Výkon, W
QC80	100 – 240	50 – 60	80
QC80F	12	0	80
QC330	100 – 240	50 – 60	330
QC500	100 – 240	50 – 60	500

<sup>69</sup> Uvádzané údaje pre ekvivalentný stupeň vibrácií majú typický štatistický rozptyl (štandardnú odchýlku) 0,2 m/s<sup>2</sup>. Štandardné vibrácie – norma EN 60335-2-77:2017, kapitola 20.105



---

# ES vyhlásenie o zhode

---

## ES vyhlásenie o zhode

**Husqvarna AB**, SE-561 82 Huskvarna, Švédsko, tel.: +46-36-146500, vyhlasuje, že **kosačka na trávu Husqvarna LB 548i, LC 551iV** od roku výroby 2019 a ďalej spĺňa požiadavky SMERNICE RADY:

- z 8. júna 2011 o „obmedzení používania určitých nebezpečných látok“ **2011/65/EÚ**,
- zo 17. mája 2006, „Smernica o strojoch“ **2006/42/EÚ**,
- z 26. februára 2014 „vzťahujúcej sa na elektromagnetickú kompatibilitu“, **2014/30/EÚ**,
- z 8. mája 2000 „o emisiách hluku v prostredí“ **2000/14/EÚ**.

Informácie týkajúce sa emisií hluku nájdete v časti Technické údaje.

Boli uplatnené nasledujúce normy:

**IEC 60335-1:2010, IEC 60335-2-77:2002, EN 60335-1:2012, EN 60335-2-77:2010 EN/IEC 62233:2008 EN 61000-6-3:2005 EN 61000-6-1:2005**

Ak nie je uvedené inak, vyššie uvedené normy sú najnovšie vydané verzie.

Notifikovaný orgán: **0404, RISE SMP Svensk Maskinprovning AB, Box 7035, SE-750 07 Uppsala** vykonal posudzovanie zhody podľa prílohy VI smernice 2000/14/EÚ a vydal certifikát s číslom:01/901/324 (LB 548i), 01/901/323 (LC 551iV)

Huskvarna, 2020-01-20



Claes Losdal, manažér vývoja/záhradné produkty (autorizovaný zástupca spoločnosti Husqvarna AB a osoba zodpovedná za technickú dokumentáciu)

---

# VSEBINA

---

Uvod.....	486	Odpravljanje težav.....	500
Varnost.....	488	Transport skladiščenje in odstranitev.....	501
Montaža.....	495	Tehnični podatki.....	502
Delovanje.....	496	Izjava ES o skladnosti.....	504
Vzdrževanje.....	498		

---

## Uvod

---

### Opis izdelka

Naprava je rotacijska kosilnica. Model LB 548i uporablja vložek BioClip, ki travo razreže v gnojilo.

Model LC 551iV zbira travo v zbiralniku za travo. Če želite uporabiti zadenjski izmet trave, odstranite zbiralnik

### Pregled izdelka

(Sl. 1)

1. Kontrolna plošča
2. Motorna zavorna ročica
3. Blokada vžiga
4. Zbiralnik za travo (LC 551iV)
5. Zadnji pokrov (LC 551iV)
6. Varnostni ključ
7. Gumb ročaja (LC 551iV)
8. Nastavitvena ročica ročaja (LB 548i)
9. Pokrov baterije
10. Regulator višine košnje (LC 551iV)
11. Gumb za vklop/izklop
12. Gumb SavE
13. Indikator SavE
14. Indikator baterije
15. Indikator hitrosti
16. Gumb za zmanjšanje hitrosti
17. Gumb za povečanje hitrosti
18. LED za napako
19. Pokrov rezila
20. Dovodi zraka
21. Tipska ploščica
22. Pogonska ročica (LC 551iV)
23. Baterijski polnilnik (dodatna oprema)
24. Baterija (dodatna oprema)
25. Baterijski sklop (dodatna oprema)
26. Vmesna ploščica (dodatna oprema)
27. Adapter za baterijski sklop (dodatna oprema)
28. Navodila za uporabo

za travo. Če želite travo razrezati v gnojilo, namestite mulčer (dodatna oprema).

### Namen uporabe

Izdelek lahko uporabite, da kosite travo na zasebnih vrtovih. Izdelka ne uporabljajte za druga opravila.

### Znaki na izdelku

(Sl. 2)

**OPOZORILO:** Ta izdelek je lahko nevaren in lahko povzroči hude poškodbe oziroma smrt upravljavca ali drugih. Bodite previdni in uporabljajte izdelek pravilno.

(Sl. 3)

Pred uporabo tega izdelka morate pozorno prebrati navodila za uporabo ter jih razumeti.

(Sl. 4)

Osebe in živali naj bodo na varni razdalji od delovnega območja.

(Sl. 5)

Pazite na leteče in odbite predmete.

(Sl. 6)

Opozorilo: Roke in noge držite stran od vrtljivega rezila.

---

- (Sl. 7) Opozorilo: Z rokami in nogami ne segajte v območje premikanja vrtljivih delov.
- (Sl. 8) Pred popravili ali vzdrževalnimi deli odstranite varnostni ključ.
- (Sl. 9) **Okoljska oznaka.** Izdelek in njegova embalaža ne sodita med gospodinjske odpadke. Treba ga je reciklirati v odobrenem zbirnem centru za električno in elektronsko opremo.
- (Sl. 10) Izdelek je skladen z veljavnimi direktivami ES.
- (Sl. 11) Izdelek je skladen z veljavnimi direktivami Evrazijske carinske unije.
- (Sl. 12) Izdelek je skladen z veljavnimi direktivami UkrSEPRO.
- (Sl. 13) Izdelek je skladen z veljavnimi direktivami RCM. Velja samo za AU/NZ
- (Sl. 14) Emisije hrupa v okolje so skladne z veljavnimi direktivami ES. Podatki o emisijah hrupa izdelka so navedeni v poglavju *Tehnični podatki na strani 502* in na nalepki.

**IPX4** Zaščiteno pred pljuski vode.  
**IPX4**

- (Sl. 19) Zagonski postopek: pritisnite gumb za VKLOP/IZKLOP, sprostite blokada vžiga, in ročico zavore motorja potisnite navzdol.
- (Sl. 15) Za zaustavitev sprostite motorno zavorno ročico.
- (Sl. 16) Počasi
- (Sl. 17) Hitro
- (Sl. 18) Bralna koda

---

**Opomba:** Ostali simboli in oznake na izdelku se nanašajo na zahteve za certifikacijo, ki veljajo za nekatere trge.

---

**Nalepke na izdelku**  
(Sl. 20)

Roke in noge držite stran od vrtljivih rezil.

### Odgovornost proizvajalca

Kot je navedeno v zakonodaji, ki ureja odgovornost proizvajalca, ne prevzemamo nikakršne odgovornosti za poškodbe, ki bi jih naši izdelki povzročili v naslednjih primerih:

- Izdelek ni pravilno popravljen.
- Izdelek je popravljen z deli, ki jih ni izdelal ali odobril proizvajalec.
- Na izdelku je nameščena dodatna oprema, ki je ni izdelal ali odobril proizvajalec.
- Izdelek ni bil popravljen v pooblaščenem servisnem centru ali pri pooblaščenem organu.

### Varnostne definicije

Opozorila, svarila in opombe opozarjajo na posebej pomembne dele priročnika.



**OPOZORILO:** Se uporabi, če obstaja nevarnost telesne poškodbe ali smrti uporabnika ali opazovalcev ob neupoštevanju navodil v tem priročniku.

---



**POZOR:** Se uporabi, če obstaja nevarnost poškodbe izdelka, drugih materialov ali okolice ob neupoštevanju navodil v tem priročniku.

---

**Opomba:** Se uporabi za podajanje podrobnejših informacij, potrebnih v dani situaciji.

---

### Splošna varnostna navodila



**OPOZORILO:** Pred uporabo izdelka preberite navodila v povezavi z opozorili v nadaljevanju.

---

- Ta izdelek je lahko nevaren, če ga ne uporabljate pravilno ali če niste previdni. Če ne upoštevate varnostnih navodil, lahko nastopijo poškodbe ali celo smrt.
- Izdelek med delovanjem ustvarja elektromagnetno polje. To polje lahko v nekaterih pogojih moti delovanje aktivnih ali pasivnih medicinskih vsadkov. Uporabnikom medicinskih vsadkov svetujemo, da se pred uporabo tega izdelka posvetujejo z zdravnikom ali proizvajalcem medicinskega vsadka, s čimer zmanjšajo nevarnost resnih ali smrtnih poškodb.
- Vedno bodite previdni in ravnajte razumno. Če niste prepričani, kako upravljati ta izdelek v določeni situaciji, prenehajte z delom in se pogovorite s prodajalcem Husqvarna.
- Ne pozabite, da je uporabnik odgovoren za nesreče, ki jih povzroči drugim ljudem ali njihovi lastnini.
- Stroj redno čistite. Pozorno preberite znake in nalepke.

- Naprave ne smejo uporabljati otroci ali osebe, ki niso seznanjene z navodili. Lokalni predpisi lahko omejujejo starost delavca
- Če izdelek uporabljajo osebe z zmanjšanimi fizičnimi ali intelektualnimi sposobnostmi, jih nenehno nadzorujte. Vedno mora biti prisotna odgovorna odrasla oseba.
- Izdelka ne uporabljajte, ko ste utrujeni, bolni, ali pod vplivom alkohola, drog ali zdravil. To negativno vpliva na vaš vid, pozornost, koordinacijo in presojo.
- Izdelka ne uporabljajte, če je poškodovan.
- Izdelka ne spreminjajte ali uporabljajte, če obstaja možnost, da so ga spremenile tretje osebe.
- in poškodujejo osebe in ostale predmete. Opazovalci in živali naj bodo na varni razdalji od izdelka.
- Izdelka nikoli ne uporabljajte v slabem vremenu, kot je megla, dež, močan veter, izreden mraz ter nevarnost strele. Če izdelek uporabljate v slabem vremenu ali v vlažnih ali mokrih okoljih, vas bo to utrudilo. Slabo vreme lahko povzroči nevarne pogoje, kot je spolzka podlaga.
- Bodite pozorni na osebe, predmete in situacije, ki lahko preprečijo varno obratovanje izdelka.
- Bodite pozorni na ovire, kot so korenine, kamni, veje, jame in jarki. Visoka trava lahko prekriva ovire.
- Košnja trave na pobočju je lahko nevarna. Ne kosite po izjemno strmih naklonih. Izdelka ne uporabljajte na pobočjih z naklonom, večjim od 15°.
- Pri spreminjanju smeri na naklonih bodite izjemno previdni. Izdelek uporabljajte prečno na pobočje. Ne premikajte se navzgor in navzdol.
- Bodite previdni, kadar se približujete kotom in

## Varnost delovnega področja



**OPOZORILO:** Pred uporabo izdelka preberite navodila v povezavi z opozorili v nadaljevanju.

- Z delovnega območja pred začetkom dela odstranite predmete, kot so veje, vejice in kamni.
- Predmeti, ki pridejo v kontakt z rezalno opremo, lahko odletijo

predmetom, ki omejujejo pogled.

## Varnost pri delu

---



**OPOZORILO:** Pred uporabo izdelka preberite navodila v povezavi z opozorili v nadaljevanju.

---

- Ta izdelek uporabljajte izključno za košnjo trave. Ne uporabljajte ga za druga opravila.
- Uporabljajte osebno zaščitno opremo. Glejte *Osebna zaščitna oprema na strani 491*.
- V zasilnem primeru morate znati motor hitro izklopiti.
- Izdelka ne uporabljajte dežju ali visoki vlagi. Nevarnost električnega udara se poveča, če v izdelek vdre voda.
- Izdelka ne uporabljajte, če rezilo in vsi pokrovi niso nameščeni pravilno. Nepravilno nameščeno rezilo lahko odleti in povzroči poškodbe.
- Pazite, da rezilo ne udarja ob predmete, npr. kamenje in korenine. To lahko poškoduje rezilo in ukrivi motorno gred. Zvita os povzroča vibracije in zelo visoko tveganje, da rezilo odleti.
- Če rezilo trči ob predmet ali začutite vibracije, izdelek nemudoma izklopite. Zaustavite motor, izvlecite varnostni ključ in odstranite baterijo. Preglejte, ali je izdelek morda poškodovan. Poškodbe popravite ali pa popravilo prepustite pooblaščenemu serviserju.
- Ročice zavore motorja nikoli ne pritrdite trajno na ročaj, ko motor deluje.
- Izdelek vklopite na stabilni in ravni podlagi. Prepričajte se, da rezilo ne trči ob tla ali druge predmete.
- Vedno bodite za izdelkom, ko ga upravljate.
- Ko upravljate izdelek, morajo biti vsa kolesa na tleh, prav tako pa imejte na ročaju obe roki. Roke in noge držite stran od vrtljivih rezil.
- Pri delujočem motorju izdelka nikoli ne nagibajte.
- Ko izdelek potegnete nazaj, bodite previdni.
- Izdelka ne dvigajte, ko motor deluje. Če morate izdelek dvigniti, najprej zaustavite motor, nato izvlecite varnostni ključ in odstranite baterijo.
- Med uporabo izdelka ne hodite vzvratno.

- Izklopite motor, ko se premikate prek področij brez trave, npr. poti iz gramoza, kamna in asfalta.
- Pri delujočem motorju ne tecite z izdelkom. Pri uporabi tega izdelka vedno hodite.
- Pred spreminjanjem višine reza ustavite motor. Ne izvajajte nastavitvev, ko motor deluje.
- Izdelek z delujočim motorjem morate imeti vedno na očeh. Izklopite motor in se prepričajte, da se rezalna oprema ne vrti.

#### Varnostna navodila za uporabo

#### Osebna zaščitna oprema



**OPOZORILO:** Pred uporabo izdelka preberite navodila v povezavi z opozorili v nadaljevanju.

- Osebna zaščitna oprema ne more popolnoma preprečiti poškodb, vendar v primeru nesreče omili posledice. Prodajalec naj vam pomaga izbrati ustrezno opremo.
- Uporabite trpežno obutev, ki ne drsi. Ne bodite bosí ali nosite odprtih čevljev.
- Oblečene imejte trpežne, dolge hlače.

- Po potrebi uporabite zaščitne rokavice, npr. kadar pritrjujete, pregledujete ali čistite rezalno opremo.

#### Varnostne naprave na izdelku



**OPOZORILO:** Pred uporabo izdelka preberite navodila v povezavi z opozorili v nadaljevanju.

- Ne uporabljajte izdelka s poškodovanimi varnostnimi napravami.
- Redno preverjajte varnostne naprave. Če so varnostne naprave poškodovane, se obrnite na pooblaščen servisno delavnico Husqvarna.

#### Preverjanje pokrova rezila

Pokrov rezila zmanjšuje moč vibracij v izdelku in zmanjšuje nevarnost poškodb, katerih vzrok bi lahko bilo rezilo.

- Preglejte pokrov rezila in se prepričajte, da nima poškodb, kot so razpoke.

#### Varnostni ključ

Varnostni ključ je pod pokrovom baterije. Varnostni ključ skrbi za povezavo baterije, ki napaja motor.

## Preverjanje varnostnega ključa

Varnostni ključ skrbi za povezavo baterije, ki napaja motor.

- Zaženite in zaustavite motor. Če varnostni ključ deluje pravilno, se motor zažene samo, če je v varnostno ključavnico vstavljen ključ.

## Motorna zavorna ročica

Zavorna ročica motorja izklopi motor. Ko spustite zavorno ročico motorja, se motor ustavi.

Za preverjanje motorne zavore morate motor zagnati, potem pa ročico zavore motorja sprostiti. Če se motor ne izklopi v 3 sekundah, mora izdelek preveriti pooblaščen servisler Husqvarna, ki mora nato nastaviti motorno zavoro.

(Sl. 21)

## Za pregled blokade vžiga

Preverite blokado vžiga in se prepričajte, da onemogoča zagon motorja.

1. Ročico motorne zavore potisnite v smer ročaja. Blokada vžiga ustavi premikanje.
2. Blokado vžiga potisnite ven. (Sl. 22)

3. Sprostite gumb blokade vžiga in se prepričajte, da se vrne v izhodiščni položaj.

## Varna uporaba baterije



**OPOZORILO:** Pred uporabo izdelka preberite navodila v povezavi z opozorili v nadaljevanju.

- Kot vir napajanja uporabljajte akumulatorske baterije Husqvarna; samo za povezane izdelke Husqvarna. Za preprečevanje poškodb baterije ne uporabljajte za napajanje drugih naprav.
- Ne uporabljajte baterij za enkratno uporabo.
- Nevarnost električnega udara. Poli baterije ne smejo priti v stik s ključi, kovanci, vijaki ali drugimi kovinskimi deli. To lahko povzroči kratek stik baterije.
- V zračne reže baterije ne vstavljajte predmetov.
- Baterije ne izpostavljajte neposredni sončni svetlobi, vročini ali odprtemu ognju. Baterija lahko eksplodira in povzroči opekline in/ali kemične opekline.
- Baterije ne izpostavljate dežju in vlagi.



- Baterije ne izpostavljajte mikrovalovom in visokemu tlaku.
- Baterije ne poskušajte razstaviti ali odpreti.
- Če baterija pušča, pazite, da tekočina ne pride v stik s telesom ali očmi. Če ste se tekočine dotaknili, območje očistite z obilo vode in poiščite zdravniško pomoč.
- Baterijo uporabljajte v okolju s temperaturami med  $-10\text{ }^{\circ}\text{C}$  in  $40\text{ }^{\circ}\text{C}$ .
- Baterije ali polnilnika nikoli ne čistite z vodo. Glejte *Čiščenje baterije in baterijskega polnilnika na strani 500*.
- Ne uporabljajte poškodovanih ali pokvarjenih baterije.
- Baterije med skladiščenjem ne smejo priti v stik s kovinskimi predmeti, na primer žebli, kovanci ali nakitom.
- Nevarnost električnega udara ali kratkega stika. V zračne reže polnilnika ne vstavljajte predmetov. Polnilnika baterije ne poskušajte razstaviti. Poli na polnilniku se ne smejo dotikati kovinskih predmetov. Uporabljajte homologirano omrežno vtičnico.
- Izdelek med delovanjem ustvarja elektromagnetno polje. To polje lahko v nekaterih pogojih moti delovanje aktivnih ali pasivnih medicinskih vsadkov. Uporabnikom medicinskih vsadkov svetujemo, da se pred uporabo tega izdelka posvetujejo z zdravnikom ali proizvajalcem medicinskega vsadka, s čimer zmanjšajo nevarnost resnih ali smrtnih poškodb.

## Varna uporaba polnilnika baterije



**OPOZORILO:** Pred uporabo izdelka preberite navodila v povezavi z opozorili v nadaljevanju.

- Za polnjenje nadomestnih baterij Husqvarna uporabljajte samo polnilnike baterij QC.
- Redno preverjajte, da napajalni kabel polnilnika ni poškodovan in ni napokan.
- Polnilnika baterije ne dvigujte za napajalni kabel. Polnilnik baterije odklopite iz stenske vtičnice tako, da povlečete vtič. Nikoli ne vlecite za napajalni kabel.
- Pazite, da se napajalni kabel in kabelski podaljški ne dotaknejo vode, olja in ostrih robov. Kabli ne smejo biti preščipnjeni med vrata, ograje

in podobne dele. Zaradi tega je lahko polnilnik pod napetostjo.

- Polnilnika baterije nikoli ne čistite z vodo.
- Polnilec baterije lahko uporabljajo otroci, stari 8 let in več, ter osebe z omejenimi telesnimi, zaznavalnimi ali duševnimi sposobnostmi ali s pomanjkanjem izkušenj in znanja, če so pri tem pod nadzorom ali jih o varni uporabi ter morebitnih nevarnostih podučijo odgovorna oseba. Otroci se s polnilnikom ne smejo igrati. Otroci naprave brez nadzora ne smejo čistiti, ali opravljati običajnih uporabnikovih vzdrževalnih posegov.
- V baterijskem polnilniku ne polnite baterij za enkratno uporabo.
- Polnilnika baterije ne uporabljajte v bližini gorljivih materialov ali materialov, ki povzročajo korozijo. Ne pokrivajte polnilnika baterije. V primeru dima ali požara izvlecite vtič polnilnika baterije.
- Ne uporabljajte poškodovanega ali pokvarjenega polnilnika baterije.

- Baterijo polnite le v zaprtih prostorih z dobrim prezračevanjem, kjer je zaščitena pred neposredno sončno svetlobo. Baterijske enote ne polnite v stiku z vodo ali vlago.

## Varnostna navodila za vzdrževanje

---



**OPOZORILO:** Pred uporabo izdelka preberite navodila v povezavi z opozorili v nadaljevanju.

---

- Pred vzdrževanjem izdelka odstranite varnostni ključ.
- Vzdrževalna dela opravljajte pravilno in tako podaljšajte življenjsko dobo izdelka ter zmanjšajte nevarnost nesreč. Pooblaščen servis naj opravi popravila, za katera je zahtevano profesionalno osebje. Za več informacij se obrnite na najbližjega servisnega zastopnika.
- Vzdrževalna dela opravite tako, kot piše v teh navodilih za uporabo.
- Pri delu z rezalno opremo morate nositi močne zaščitne rokavice. Rezilo je izjemno ostro, zato lahko hitro pride do ureznin.

- Za najboljše in najvarnejše delovanje morajo biti rezalni robovi ostri in čisti.
- Izdelek naj redno preverja in po potrebi nastavlja ter popravlja pooblaščen servisna delavnica.
- Zamenjajte poškodovane, obrabljene ali zlomljene dele.
- Upoštevajte navodila za zamenjavo dodatne opreme. Uporabljajte samo dodatno

opremo, ki jo odobri proizvajalec.

- Ko izdelka ne uporabljate, morate izdelek, baterijo in polnilnik baterije hraniti ločeno v suhem, zaprtem in zaklenjenem prostoru. Otroci in osebe, katerim uporaba ni dovoljena, ne smejo imeti dostopa do izdelka, baterije ali polnilnika baterije.

---

## Montaža

---

### Uvod



**OPOZORILO:** Preden začnete sestavljati izdelek, morate prebrati in razumeti poglavje o varnosti.

### Namestitev in odstranitev baterijskega sklopa (dodatna oprema)

1. S pokrova motorja odstranite 4 gumijaste pokrovčke in 4 vijake. (Sl. 23)
2. Na pokrov motorja postavite vmesno ploščo.
3. Vmesno ploščo privijte s 4 priloženimi vijaki z momentom 5–6 Nm. (Sl. 24)
4. Odprite pokrov za baterijo.
5. Odstranite baterijo v reži 1. (Sl. 25)
6. Odstranite tesnilni čep. (Sl. 26)
7. Baterijski vmesnik potisnite v prostor za baterijo, se zaskoči. (Sl. 27)
8. Kabel baterijskega vmesnika vstavite skozi odprtino tesnilnega čepa. Kabel pritrdite s sponko. (Sl. 28)
9. Na baterijski vmesnik namestite baterijski sklop.
10. Baterijski sklop priključite na baterijski vmesnik. (Sl. 29)
11. Kabel baterijskega vmesnika pritrdite na ročaj s 3 trakovi. (Sl. 30)
12. Če želite odstraniti baterijski sklop, sledite temu postopku v obratnem vrstnem redu.



**OPOZORILO:** Kabla na ročaj ne pritrdite preveč ohlapno. Kabel se lahko sname z ročaja in vas poškoduje.

### Namestitev ročice (LC 551iV)

1. Sprostite spodnja gumbna vijaka.
2. Gumbna vijaka na levi in desni strani izdelka pomaknite v spodnji del utorov. (Sl. 31)
3. Višino ročice prestavite v enega od 2 razpoložljivih položajev.
4. Premaknite gumbna vijaka do konca navzgor proti ročici, da zaslišite klik. (Sl. 32)
5. Popolnoma zategnite gumbne vijake.

### Namestitev ročice (LB 548i)

1. S plošče na zgornjem ročaju odstranite matico ročaja in podložko.
2. Zgornji ročaj namestite na vrh spodnjega ročaja.



**POZOR:** Prepričajte se, da žice niso zataknjene ali poškodovane.

3. Pritrdite podložko in ročico za nastavitev ročaja. (Sl. 33)
4. Kadar izdelek uporabljate v bližini stene, ročaj obrnite na stran tako, da je v dobrem položaju za delo. (Sl. 34)

### Namestitev zbiralnika za travo (LC 551iV)

1. Ogrodje zbiralnika za travo vstavite v vrečo za travo tako, da je trdi del vrečke na dnu. Ročaj ogrodja zbiralnika za travo mora biti vedno na vrhu. (Sl. 35)
2. Spodnji del ogrodja zbiralnika za travo vstavite v utor na dnu zbiralnika za travo.

3. Vrečo za travo namestite na ogrodje zbiralnika za travo in ga pritrдите z sponkami. (Sl. 36)
4. Dvignite zadnji pokrov.
5. Zbiralnik za travo pritrдите na zgornji rob ohišja.
6. Vstavite spodnji del zbiralnika za travo v izpustni kanal za travo. (Sl. 37)

## Namestitev vložka za mulčenje (dodatna oprema LC 551iV)

1. Privzdignite zadnji pokrov in odstranite zbiralnik za travo.

2. Vložek za mulčenje vtaknite v izpustni kanal. (Sl. 38)
3. Rezilo zamenjajte z rezilom za mulčenje, priloženo kompletu za mulčenje. Glejte *Zamenjava rezil na strani 499*.

---

## Delovanje

---

### Uvod



**OPOZORILO:** Pred uporabo izdelka morate prebrati in razumeti poglavje o varnosti.

### Husqvarna Connect

Husqvarna Connect je brezplačna aplikacija za vašo mobilno napravo. Aplikacija Husqvarna Connect omogoča razširitev funkcij vašega izdelka Husqvarna:

- Dodatne informacije o izdelku.
- Informacije o izdelku, delih in servisu ter pomoč.

### Začetek uporabe: Husqvarna Connect

1. V mobilno napravo si prenesite aplikacijo Husqvarna Connect.
2. Registrirajte se v aplikaciji Husqvarna Connect.
3. Za vzpostavitev povezave in registracijo izdelka sledite navodilom v aplikaciji Husqvarna Connect.

### Husqvarna Fleet Services™

Husqvarna Fleet Services™ je storitev v oblaku, ki upravljavcu komercialne skupine strojev omogoča pregled nad vsemi izdelki. Aplikacija Husqvarna Fleet Services™ je vključena pri modelu LC 551iV. Več informacij o aplikaciji Husqvarna Fleet Services™ je navedenih na spletnem mestu [www.husqvarna.com](http://www.husqvarna.com).

### Priprava senzorja (dodatna oprema)

1. S ključem senzorja odprite pokrov senzorja. (Sl. 39)
2. Odstranite senzor.
3. Senzor priključite na baterijo. Indikator senzorja mora zasvetiti. (Sl. 40)
4. Prenesite aplikacijo Husqvarna Fleet Services™.
5. Prijavite se v aplikacijo Husqvarna Fleet Services™.
6. Seznanite naprave. Glejte *Seznanjanje aplikacije in izdelka na strani 496*

### Seznanjanje aplikacije in izdelka

1. Prijavite se v aplikacijo Husqvarna Fleet Services™.
2. V aplikaciji izberite svoj izdelek.
3. Z mobilno napravo skenirajte kodo za senzorjem, da ga namestite v napravo.

**Opomba:** Izdelek je treba z aplikacijo seznaniti samo enkrat.

### Namestitev senzorja

1. Prepričajte se, da je senzor povezan z aplikacijo Husqvarna Fleet Services™. Glejte *Seznanjanje aplikacije in izdelka na strani 496*.
2. Ob oznaki v reži v ohišju izvrtaite 2 odprtini. (Sl. 41)

**Opomba:** Velikost odprtini se mora ujemati s kovicami, ki so priložene senzorju.

3. S kleščami odstranite zunanjo izvrtino na reži senzorja. (Sl. 42)
4. Ob oznaki v reži senzorja izvrtaite 2 odprtini. (Sl. 43)
5. Poravnajte režo senzorja z režo ohišja. (Sl. 44)
6. S kovicami pritrđite režo senzorja.
7. Senzor namestite v režo senzorja. Poravnajte belo oznako na senzorju z oznako na reži senzorja. (Sl. 45)
8. Zaprite pokrov senzorja in ga zaklenite s ključem senzorja. Pazite, da bo zgornji del črke "H" za Husqvarna usmerjen stran od varnostnega ključa. (Sl. 46)

### Nastavitev kosilnice v delovni položaj (LC 551iV)

1. Ročaj dvignite v navpičen položaj. (Sl. 47)
2. Premaknite gumbna vijaka do konca navzgor proti ročici, da zaslišite klik. (Sl. 32)
3. Popolnoma zategnite gumbne vijake.

## Nastavitev višine košnje

Košnjo lahko nastavite na 6 višin.

1. Višino košnje dvignete tako, da ročico za nastavitev višine reza potisnete proti kolesu in nazaj.
2. Višino košnje spustite tako, da ročico za nastavitev višine reza potisnete proti kolesu in naprej. (Sl. 48)



**POZOR:** Ne nastavite višino rezanja prenizko. Rezila lahko trčijo ob tla, če površina travnika ni ravna.

## Baterija



**OPOZORILO:** Pred uporabo baterije morate prebrati in razumeti poglavje o varnosti. Prebrati in razumeti morate tudi navodila za uporabo, ki so priložena bateriji in polnilniku.

## Stanje baterije

Na zaslonu je prikazana preostala napoljenost baterije in podatki o morebitnih težavah z baterijo. Napoljenost baterije je prikazana še 5 sekund po izklopu naprave ali pritisku gumba indikatorja baterije. V primeru napake sveti na bateriji opozorilni indikator. Glejte *Baterija na strani 500*.

(Sl. 49)

Indikatorji LED	Stanje baterije
Vsi indikatorji LED svetijo	Polna napoljenost (75–100 %)
Svetijo indikatorji LED 1, 2 in 3	50–75-odstotna napoljenost
Svetita indikatorji LED 1 in 2	25–50-odstotna napoljenost
Sveti indikator LED 1	0–25-odstotna napoljenost
Indikator LED 1 utripa	Baterija je prazna. Napolnite baterijo.

## Polnjenje baterije

Baterijo pred prvo uporabo napolnite. Baterija je ob dobavi napolnjena na 30 %.

**Opomba:** Baterijski polnilnik mora biti priključen na napetost in frekvenco, ki sta navedena na tipski ploščici.

Če je temperatura baterije višja od 50 °C, se ne polni. Polnilnik baterije pred polnjenjem zniža temperaturo baterije.

1. En konec napajalnega kabla vstavite v konektor v polnilniku baterije.

2. Drugi konec napajalnega kabla polnilnika priklpite v primerno ozemljeno električno vtičnico. Indikator LED na polnilniku baterije enkrat utripne zeleno. (Sl. 50)
3. Baterijo vstavite v polnilnik baterije. Zeleni indikator na polnilniku se vklopi, ko je baterija pravilno vstavljena v polnilnik. (Sl. 51)
4. Ko se vsi indikatorji LED na bateriji vklopijo, je baterija popolnoma napolnjena. Baterijo polnite največ 24 ur.
5. Polnilnik baterije iz stenske vtičnice izvlecite za vtič, ne za kabel.
6. Odstranite baterijo iz polnilnika.

## Stanje napoljenosti baterije

Litij-ionske baterije Husqvarna lahko polnite in uporabljate pri vseh nivojih napoljenosti. Baterija se ne poškoduje. Napoljenost popolnoma napolnjene baterije ne pada, če jo pustite v polnilniku.

Indikatorji LED	Stanje napoljenosti
Indikator LED 1 utripa	0–25 %
LED 1 sveti, LED 2 utripa	25–50 %
LED 1 in 2 svetita, LED 3 utripa	50–75 %
LED 1, 2 in 3 svetijo, LED 4 utripa	75–100 %
LED 1, 2, 3 in 4 svetijo	Polna napoljenost

## Polnjenje baterijskega sklopa

**Opomba:** Baterijo pred prvo uporabo napolnite. Nova baterija je napolnjena samo 30-odstotno.

1. Prepričajte se, da je baterija suha.
2. Baterijski sklop vstavite v adapter. (Sl. 52)
3. Adapter vstavite v baterijski polnilnik.
4. Na baterijskem polnilniku mora zasvetiti zeleni indikator polnjenja. To pomeni, da sta adapter in baterijski sklop pravilno priključena. (Sl. 53)
5. Baterija je popolnoma napolnjena, ko svetijo vsi indikatorji na bateriji in je na adapterju prikazano 100 %. (Sl. 54)

Adapter prikazuje stanje napoljenosti v korakih po 1 %. Na začetku polnjenja so možna majhna odstopanja.

6. Odklopite polnilnik baterije iz stenske vtičnice tako, da izvlecete vtič. Ne vlečite kabla.
7. Vzemite adapter iz baterijskega polnilnika.
8. Iz adapterja vzemite baterijski sklop.

**Opomba:** Če želite več informacij, glejte priročnika za baterijski sklop in baterijski polnilnik.

## Zagon izdelka

1. Dvignite pokrov za baterijo.
2. Napolnjeno baterijo vstavite v režo 1 pod pokrovom baterije. Za daljše delovanje v režo 2 vstavite drugo napolnjeno baterijo.
3. Odklopite varnostni ključ z držala za varnostni ključ.
4. Varnostni ključ potisnite v varnostno ključavnico. (Sl. 55)
5. Ostanite za izdelkom.
6. Pritisnite gumb za VKLOP/IZKLOP na krmilni plošči. Zaslou se vklopi.
7. Sprostite blokado vžiga. (Sl. 22)
8. Ročico motorne zavore potisnite v smer ročaja. (Sl. 56)

## Za pogon koles (LC 551iV)

- Povlecite pogonsko ročico proti ročaju za sprostitvev pogona. (Sl. 57)
- S pritiskanjem + in - na krmilni plošči je mogoče nastaviti hitrost pogona v 4 korakih. (Sl. 58)
- Sprostite pogonsko ročico, da izklopite pogon, npr. ko ste blizu ovire.

## Za uporabo funkcije SavE

Izdelek je opremljen s funkcijo varčevanja z baterijo (SavE), ki omogoča daljši čas delovanja.

1. Pritisnite gumb SavE (A) za začetek izvajanja funkcije. Znak SavE (B) na zaslonu se vklopi.
2. Znova pritisnite gumb SavE, če želite funkcijo izklopiti. Znak SavE (B) na zaslonu se izklopi. (Sl. 59)

Funkcija SavE se samodejno izklopi, če je zaradi pogojev tal potrebna večja moč. Funkcija SavE se znova samodejno zažene, ko pogoji tal to dopuščajo.

## Funkcija PowerBoost

Ko izdelek kosi dolgo ali mokro travo, motor samodejno poveča število vrtljajev. Ko funkcija PowerBoost ni

potrebna, motor samodejno preklopi v standardni način, da se prihrani čas baterije.

## Izklop izdelka

Izdelek se samodejno izklopi po 3 minutah mirovanja.

1. Za izklop motorja sprostite ročico motorne zavore. (Sl. 21)
2. Pritisnite gumb za VKLOP/IZKLOP na krmilni plošči. Vsi indikatorji LED in znaki na zaslonu se izklopijo. (Sl. 60)
3. Varnostni ključ odstranite iz varnostne ključavnice in ga vstavite v držalo varnostnega ključa.

## Kako doseči dober rezultat

- Vedno uporabljajte ostra rezila. Če uporabljate topo rezilo, bo trava pokošena neenakomerno, ob zarezah pa lahko postane tudi rumena. Ostro rezilo prav tako porabi manj energije kot topo rezilo.
- Ne odrezite več kot tretjino dolžine travnih bilk. Najprej kosite z visoko nastavitvijo višine košnje. Preglejte rezultat in nastavite višino košnje na ustrezno višino. Če je trava zelo visoka, vozite počasi in po potrebi kosite dvakrat.
- Vsakič kosite v različnih smereh, da se na travi ne bi pojavile črte.

## Košnja brez nameščenega zbiralnika za travo ali vložka za mulčenje (LC 551iV)

1. Privzdignite zadnji pokrov in odstranite zbiralnik za travo.
2. Če sta nameščena vložek za mulčenje in rezilo za mulčenje, ju odstranite.
3. Pred uporabo izdelka zaprite zadnji pokrov.

Ko uporabljate izdelek, poteka izmet pokošene trave pod zadnjim pokrovom.

# Vzdrževanje

## Uvod



**OPOZORILO:** Pred izvajanjem vzdrževalnih del morate prebrati in razumeti poglavje o varnosti.

Za servisiranje in popravila na izdelku posebno usposabljanje ni potrebno. Zagotavljamo, da vam bodo na voljo strokovna popravila in servisiranje. Če vaš

prodajalec ni pooblaščen serviser, ga povprašajte, kje je naslednja najbližja pooblaščen servisna delavnica.

## Urniki vzdrževanja

Izračunani intervali vzdrževanja veljajo za vsakodnevno uporabo izdelka. Intervali se spremenijo, če izdelek ne uporabljate vsakodnevno.

Za vzdrževalne posege, označene z zvezdico \*, glejte *Varnostna navodila za uporabo na strani 491*.

	Pri vsaki uporabi	Mesečno	Vsako sezono
Opravite splošen pregled	X		
Očistite zaščitne pokrove menjalnika Prepričajte se, da na motorju ni trave	X		
Preverite blokado vžiga *	X		
Prepričajte se, da varnostne naprave izdelka niso poškodovane *	X		
Preverite, ali je zbiralnik za travo obrabljen ali dotrajan	X		
Preglejte rezalno opremo	X		
Preglejte pokrov rezila *	X		
Preverite parkirno zavoro *	X		
Prepričajte se, da gumb za VKLOP/IZKLOP deluje pravilno in ni pokvarjen	X		
Preverite, ali je baterija poškodovana	X		
Preverite napolnjenost baterije	X		
Prepričajte se, da gumba za sprostitev na bateriji delujeta pravilno in omogočata pravičen zaklep baterije v izdelku	X		
Očistite odprtine za dovod zraka. Prepričajte se, da na odprtinah za dovod zraka ni trave ali umazanije	X		
Preverite, ali je polnilnik baterije poškodovan in ali pravilno deluje		X	
Preverite povezave med baterijo in izdelkom. Preverite tudi povezave med baterijo in baterijskim polnilnikom			X

## Izvajanje splošnih pregledov

- Prepričajte se, da so matice in vijaki na izdelku dobro priviti.
- Prepričajte se, da kablji na izdelku niso v položaju, v katerem bi se lahko poškodovali.

## Zamenjava rezil

1. Rezilo blokirajte z leseno klado. (Sl. 61)
2. Odstranite vijak rezila, vzmetno podložko in rezilo. (Sl. 62)
3. Preverite, ali sta nosilec rezila in vijak rezila poškodovana.
  - a) Če zamenjate rezilo ali nosilec rezila, zamenjajte tudi vijak rezila, vzmetno podložko in tornjo podložko.
4. Preverite motorno gred in se prepričajte, da ni zvita.
5. Ko pritrdite novo rezilo, usmerite nagnjene strani v smer pokrova rezila. (Sl. 63)
6. Tornjo podložko in rezilo namestite na nosilec rezila. (Sl. 64)
7. Prepričajte se, da je rezilo poravnano s središčem motorne gredi. (Sl. 65)
8. Rezilo blokirajte z leseno klado. (Sl. 66)

9. Pritrdite vzmetno podložko in privijte vijak z zateznim momentom 65-75 Nm. (Sl. 67)

10. Ročno zavrtite rezilo in se prepričajte, da se prosto obrača.



**OPOZORILO:** Uporabljajte zaščitne rokavice. Rezilo je izjemno ostro, zato lahko hitro pride do ureznin.

11. Izdelek vklopite, da preizkusite rezilo. Če rezilo ni pritrjeno pravilno, bo izdelek vibriral, rezultat košnje pa ne bo zadovoljiv.

## Čiščenje izdelka

- Plastične dele čistite s čisto in suho krpo.
- Izdelka ne čistite z vodo. Voda lahko vdre v baterijo ali motor in povzroči kratki stik ali poškoduje izdelek.
- Izdelka ne čistite z visokotlačnim čistilnikom.
- Vode ne zlivajte neposredno na motor.
- S krtačo odstranite listje, travo in umazanijo.

## Čiščenje baterije in baterijskega polnilnika



**POZOR:** Baterije ali polnilnika nikoli ne čistite z vodo.

- Pred vstavljanjem baterije v polnilnik baterije se prepričajte, da sta baterija in polnilnik baterije čista in suha.
- Pola baterije očistite s stisnjenim zrakom ali za čiščenje uporabite mehko in suho krpo.
- Površine baterije in polnilnika očistite z mehko in suho krpo.

## Kako pregledati rezalno opremo



**OPOZORILO:** Preprečite neželen vklop tako, da izvlečete varnostni ključ, odstranite baterijo in počakate vsaj 5 sekund.



**OPOZORILO:** Pri vzdrževanju rezalne opreme uporabite zaščitne rokavice. Rezilo je izjemno ostro, zato lahko hitro pride do uresnjin.

1. Preverite, ali je rezalna oprema poškodovana oziroma razpokana. Če je rezalna oprema poškodovana, jo zamenjajte.
2. Preverite, ali je rezilo poškodovano ali topo.

**Opomba:** Rezilo morate po brušenju postaviti v ravnovesje. Izdelek peljite na servisni center, da rezilo nabrusijo, zamenjajo in uravnovesijo. Če trčite ob oviro in se izdelek ustavi, zamenjajte poškodovano rezilo. Pooblaščen servisna delavnica naj oceni, ali lahko rezilo izostrijo ali pa ga je treba zamenjati.

## Odpravljanje težav

### Baterija

LED na bateriji	Možne napake	Možen postopek
Zelena LED utripa	Napetost baterije je prenizka	Napolnite baterijo. Glejte <i>Polnjenje baterije na strani 497</i> .
Indikator LED za napako utripa	Napoljenost baterije je nizka	Napolnite baterijo. Glejte <i>Baterija na strani 500</i> .
	Temperatura v delovnem okolju je previsoka ali prenizka	Baterijo uporabljajte v okolju s temperaturami med $-10^{\circ}\text{C}$ in $40^{\circ}\text{C}$ .
	Prenapetost	Preverite, ali je napetost omrežja enaka napetosti, navedeni na tipski ploščici izdelka. Odstranite baterijo iz polnilnika. Počakajte 5 sekund in baterijo poskusite napolniti znova. Če se napaka ponavlja, se obrnite na pooblaščenega servisnega zastopnika.
Indikator LED za napako sveti	Prevelika razlika med celicami (1 V).	Obrnite se na pooblaščenega servisnega zastopnika.

### Polnilnik baterije

LED na polnilniku baterije	Možne napake	Možen postopek
Indikator LED za napako utripa	Temperatura v delovnem okolju je previsoka ali prenizka	Polnilnik baterije uporabljajte v okolju s temperaturami med $5^{\circ}\text{C}$ in $40^{\circ}\text{C}$ .
Indikator LED za napako sveti		Obrnite se na pooblaščenega servisnega zastopnika



## Kontrolna plošča

Koda napake (število utripov)	Možne napake	Možen postopek
1	Motor je prevroč.	Izdelek naj se ohladi. Prepričajte se, da na menjalniku ni masti. Pokrov menjalnika po potrebi očistite.
5	Število vrtljajev motorja preveč upade in motor se izklopi.	Očistite kosišče in povečajte višino reza. Glejte <i>Nastavitev višine košnje na strani 497</i> . Če napake ne morete odpraviti, se obrnite na pooblaščenega servisnega zastopnika.
8	Napolnjenost baterije je nizka.	Napolnite baterijo. Glejte <i>Polnjenje baterije na strani 497</i> .
9	Napaka baterije ali baterija ne oddaja signala.	Baterijo pravilno vstavite v izdelek in preverite priključek baterije. Če indikator LED za napako baterije utripa, glejte <i>Baterija na strani 497</i> .
10	Krmilnik motorja je prevroč.	Izklopite motor in počakajte, da se ohladi.
Druge napake	Če pride do drugih napak, izvlecite varnostni ključ, odstranite baterijo in se obrnite na pooblaščenega serviserja.	

## Transport skladiščenje in odstranitev

### Uvod



**OPOZORILO:** Nenačrtovan vklop med transportom preprečite tako, da izvlečete varnostni ključ, odstranite baterijo in počakate vsaj 5 sekund.

- Na priključke baterije namestite izolacijski trak in se prepričajte, da se baterija med transportom ne more premikati.
- Med izdelek pritrdite.

### Skladiščenje

- Baterijo pri skladiščenju vedno odstranite.
- Za preprečevanje nesreč baterija med skladiščenjem ne sme biti priključena.
- Polnilnik baterije vedno hranite v zaprtem in suhem prostoru.
- Baterijo in polnilnik baterije hranite v zaprtem prostoru, kjer ni vlage ali nevarnosti zamrzovanja.
- Med shranjevanjem baterijo odstranite iz polnilnika.
- Baterijske ne shranjujte na mestu, kjer je lahko prisotna statična elektrika. Baterije ne shranjujte v kovinski škatli.
- Baterijo hranite v prostoru s temperaturo med 5 °C in 25 °C, ki je zaščiten pred neposredno sončno svetlobo.
- Polnilnik baterije hranite v prostoru s temperaturo med 5 °C in 45 °C, ki je zaščiten pred neposredno sončno svetlobo.
- Pred dolgotrajnejšim skladiščenjem mora biti baterija napolnjena med 30 % in 50 %.
- Izdelek, baterijo in polnilnik hranite v zaklenjenem prostoru, do katerega otroci in nepooblaščen osebe nimajo dostopa.

### Nastavitev izdelka v transportni položaj (LC 551iV)

1. Sprostite spodnja gumbna vijaka.
2. Gumbna vijaka na levi in desni strani izdelka pomaknite v spodnji del utorov. (Sl. 31)
3. Ročaj preklopite naprej. (Sl. 68)
4. Odstranite zbiralnik za travo.

### Prevoz

- Za vstavljene litij-ionske baterijske enote veljajo zahteve zakonodaje o nevarnem blagu.
- Pri transportu v komercialne namene morate upoštevati posebne zahteve, navedene na pakiranju in nalepkah.
- Pri pripravi izdelka za transport morate upoštevati uredbe za ravnanje z nevarnimi materiali. Veljajo lokalni predpisi.
- Baterijo pri prevozu vedno odstranite.

- Pred dolgotrajnejšim skladiščenjem izdelkov očistite in opravite popoln servis.

## Odlaganje

Simboli na izdelku ali njegovi embalaži opozarjajo, da izdelka ne smete obravnavati kot gospodinjstvega odpadka. Odnesti ga je treba v ustrezno zbirališče, kjer bodo poskrbeli za recikliranje električnih in elektronskih naprav.

Z zagotavljanjem pravilne obravnave izdelka boste pomagali preprečiti njegov morebiten škodljiv učinek na okolje in ljudi, do katerega bi lahko prišlo, kot posledica nepravilnega upravljanja z odpadki. Podrobnejše informacije o recikliranju tega izdelka lahko dobite v svoji občini, v komunalnem podjetju ali v trgovini, kjer ste ga kupili.

(Sl. 69)

## Tehnični podatki

### Tehnični podatki

	LB 548i	LC 551IV
<b>Motor rezalne enote</b>		
Tip motorja	BLDC (brezkrtačni enosmerni) 36 V	BLDC (brezkrtačni enosmerni) 36 V
Št. vrt. motorja – SavE, vrt/min*	2600	2600
Št. vrt. motorja – nazivno, vrt/min*	3000	3000
Št. vrt. motorja – visoka obremenitev, vrt/min*	3300	3300
Najvišja izhodna moč motorja v kW	1,8	1,8
Nazivna izhodna moč motorja v kW	1,5	1,5
<b>Pogonski motor</b>		
Nazivna izhodna moč motorja v kW	Ni navedeno	0,3
Hitrost samohodnega pogona, km/h	Ni navedeno	3,0–5,0
Stopnje hitrosti	Ni navedeno	4
<b>Teža</b>		
Teža brez baterije v kg	31	41
<b>Baterija</b>		
Vrsta baterije	Serijska baterij Husqvarna	Serijska baterij Husqvarna
<b>Avtonomija baterije</b>		
Avtonomija baterije, najkrajša, (prosto delovanje) z aktivirano funkcijo SavE, z eno baterijo Husqvarna z močjo 5,2 Ah (Bli200).	40	30
Avtonomija baterije, najkrajša, (prosto delovanje) z aktiviranim standardnim načinom, z eno baterijo Husqvarna moči 5,2 Ah (Bli200).	30	20
<b>Emisije hrupa <sup>70</sup></b>		
Raven zvočne moči, izmerjena v dB (A)	93	97
Zajamčen nivo zvočne moči, L <sub>WA</sub> dB(A)	93	97
<b>Nivoji hrupa <sup>71</sup></b>		

<sup>70</sup> Emisije hrupa v okolje, merjene kot moč zvoka (L<sub>WA</sub>), v skladu z direktivo ES 2000/14/ES.

<sup>71</sup> Zabeleženi podatki za nivo zvočnega tlaka imajo tipično statistično razpršitev (standardni odklon) 1,2 dB(A).

	LB 548i	LC 551iV
Nivo zvočnega tlaka pri ušesu operaterja, dB(A)	80	84
<b>Ravni vibracij</b> <sup>72</sup>		
Ročaj, m/s <sup>2</sup>	0,3	0,3
<b>Rezalna oprema</b>		
Višina reza v mm	20–75	20–75
Širina reza v cm	48	51
Standardno rezilo	Rezilo za mulčenje 597466510	Rezilo za zbiranje 597466310
Dodatno rezilo	Ni navedeno	Rezilo za mulčenje 597466410
Kapaciteta zbiralnika za travo, l	Ni navedeno	65

\* Vrtljaji na minuto

Homologirane baterije	Vrsta	Zmogljivost baterije, Ah	Napetost, V	Teža, lb/kg
BLi20	Litij-ionska	4,0	36	2,6/1,2
BLi200	Litij-ionska	5,2	36	2,8/1,3
BLi300	Litij-ionska	9,4	36	4,1/1,9
BLi550X	Litij-ionska	15,6	36	12,4/5,6
BLi950X	Litij-ionska	31,1	36	15,4/7,0

Odobreni polnilniki za določene baterije, BLi	Vhodna napetost, V	Frekvenca, Hz	Moč, W
QC80	100–240	50–60	80
QC80F	12	0	80
QC330	100–240	50–60	330
QC500	100–240	50–60	500

<sup>72</sup> Zabeleženi podatki za raven vibracij imajo tipično statistično razpršitev (standardni odklon) v višini 0,2 m/s<sup>2</sup>. Standard za vibracije EN 60335-2-77:2017; poglavje 20.105

---

## Izjava ES o skladnosti

---

### Izjava ES o skladnosti

**Husqvarna AB**, SE-561 82 Huskvarna, Švedska, tel.:  
+46-36-146500, izjavlja, da je **kosilnica Husqvarna LB 548i, LC 551IV** od modelnega leta 2019 dalje v skladu z zahtevami DIREKTIVE SVETA:

- z dne 8. junija 2011 o omejevanju uporabe nekaterih nevarnih snovi v električni in elektronski opremi, **2011/65/EU**
- z dne 17. maja 2006, ki se nanaša na stroje, **2006/42/EC**
- z dne 26. februarja 2014 o elektromagnetni združljivosti **2014/30/EU**
- z dne 8. maja 2000 o emisijah hrupa v okolje **2000/14/EC**

Informacije v zvezi z emisijo hrupa so na voljo v poglavju "Tehnični podatki".

Uporabljeni so naslednji standardi:

**IEC 60335-1:2010, IEC 60335-2-77:2002, EN 60335-1:2012, EN 60335-2-77:2010 EN/IEC 62233:2008 EN 61000-6-3:2005 EN 61000-6-1:2005**

Če ni drugače navedeno, zgoraj navedeni standardi veljajo kot najnovejše objavljene različice.

Priglašeni organ: **0404, RISE SMP Svensk Maskinprovning AB, Box 7035, SE-750 07 Uppsala** je opravil oceno skladnosti v skladu s Prilogo VI k Direktivi 2000/14/ES in izdal certifikat s številko:01/901/324 (LB 548i), 01/901/323 (LC 551IV)

Huskvarna, 2020-01-20



Claes Losdal, Vodja oddelka ta razvoj vrtno opreme (pooblaščen zastopnik družbe Husqvarna AB in odgovorni za sestavo tehnične dokumentacije.)

---

## Sadržaj

---

Uvod.....	505	Rešavanje problema.....	519
Bezbednost.....	507	Transport, skladištenje i odlaganje.....	521
Sklapanje.....	514	Tehnički podaci.....	521
Rukovanje.....	515	EZ deklaracija o usaglašenosti.....	524
Održavanje.....	518		

---

## Uvod

---

### Opis proizvoda

Proizvod je rotaciona kosačica koju kontrolišu rukovalac. Model LB 548i koristi funkciju BioClip za košenje trave u đubrivo.

Model LC 551iV sakuplja travu u hvatač trave. Uklonite hvatač trave kako biste omogućili pražnjenje trave na

zadnjoj strani. Postavite komplet za usitnjavanje (oprema) za košenje trave u đubrivo.

### Oblast primene

Koristite proizvod za košenje trave u privatnim vrtovima. Nemojte koristiti proizvod za druge zadatke.

### Pregled proizvoda

(Sl. 1)

1. Kontrolna tabla
2. Ručica kočnice motora
3. Inhibitor pokretanja
4. Hvatač trave (LC 551iV)
5. Zadnji poklopac (LC 551iV)
6. Bezbednosni ključ
7. Dugme ručke (LC 551iV)
8. Poluga za podešavanje ručke (LB 548i)
9. Poklopac akumulatora
10. Komanda visine košenja (LC 551iV)
11. Dugme za uključivanje/isključivanje (ON/OFF)
12. Dugme Save
13. Indikator Save
14. Indikator akumulatora
15. Indikator nivoa brzine
16. Dugme za smanjenje brzine
17. Dugme za povećanje brzine
18. LED lampica greške
19. Poklopac košenja
20. Dovodi vazduha
21. Nazivna pločica
22. Pritiskivač pogona (LC 551iV)
23. Punjač akumulatora (oprema)
24. Akumulator (oprema)
25. Multi akumulator (oprema)
26. Ploča adaptera (oprema)
27. Adapter multi akumulatora (oprema)
28. Korisničko uputstvo

### Simboli na proizvodu

(Sl. 2)

**UPOZORENJE:** Ovaj proizvod može biti opasan i prouzrokovati teške povrede ili smrt rukovaoca ili drugih osoba. Budite pažljivi i koristite proizvod na pravilan način.

(Sl. 3)

Pre korišćenja proizvoda pažljivo pročitajte korisničko uputstvo i budite sigurni da ste ga razumeli.

(Sl. 4)

Pazite da ljudi i životinje budu na bezbednoj udaljenosti od radnog područja.

(Sl. 5)

Pazite na odbačene predmete i odskakivanja.

(Sl. 6) **Upozorenje: Udaljite šake i stopala od rotirajućeg sečiva.**

(Sl. 7) **Upozorenje: Udaljite šake i stopala od rotirajućih delova.**

(Sl. 8) **Uklonite bezbednosni ključ pre popravke ili održavanja proizvoda.**

(Sl. 9) **Ekološka oznaka.** Proizvod ili pakovanje ne treba tretirati kao kućni otpad. Reciklirajte ga na odobrenoj lokaciji za odlaganje električne i elektronske opreme.

(Sl. 10) **Proizvod je usaglašen sa važećim EZ direktivama.**

(Sl. 11) **Proizvod je usaglašen sa važećim direktivama Evroazijske carinske unije.**

(Sl. 12) **Proizvod je usaglašen sa važećim UkrSEPRO direktivama.**

(Sl. 13) **Proizvod je usaglašen sa važećim RCM direktivama. Primenjivo samo za Australiju/Novi Zeland**

(Sl. 14) **Emisije buke u okolinu usaglašene su sa važećim direktivama EZ. Emisije buke iz**

proizvoda navedene su u *Tehnički podaci na stranici 521* i na nalepnici.

**IPX4** Zaštita od prskanja vode.

**IPX4**

(Sl. 19) **Postupak pokretanja:** pritisnite dugme za uključivanje/isključivanje (ON/OFF), otpustite inhibitor pokretanja, pritisnite nadole ručicu kočnice motora.

(Sl. 15) **Otpustite ručicu kočnice motora za zaustavljanje.**

(Sl. 16) **Sporo**

(Sl. 17) **Brzo**

(Sl. 18) **Kôd koji se može skenirati**

---

**Napomena:** Ostali simboli/nalepnice koji su navedeni na proizvodu važe za specifične zahteve sertifikata na određenim tržištima.

---

## **Nalepnica na proizvodu**

(Sl. 20)

**Udaljite šake i stopala od rotirajućih sečiva.**

## **Odgovornost za proizvod**

Kako je izloženo u zakonima o odgovornosti za proizvode, mi nismo odgovorni za oštećenja prouzrokovana našim proizvodom u sledećim slučajevima:

- proizvod je popravljen na pogrešan način
- proizvod je popravljen korišćenjem delova koji nisu napravljeni ili odobreni od strane proizvođača
- proizvod ima opremu koja ne potiče ili nije odobrena od strane proizvođača
- proizvod nije popravljen u ovlašćenom servisnom centru ili od strane ovlašćenog stručnjaka

### Bezbednosne definicije

Upozorenja, mere opreza i napomene se koriste da ukažu na naročito važne delove korisničkog uputstva.



**UPOZORENJE:** Koristi se ako, usled nepoštovanja uputstava, postoji rizik od nastanka telesnih povreda ili smrti kod rukovaoca ili prisutnih osoba.

---



**OPREZ:** Koristi se ako, usled nepoštovanja uputstava, postoji rizik od nastanka oštećenja na proizvodu, drugim materijalima ili susednim oblastima.

---

**Napomena:** Koristi se za pružanje više informacija koje su neophodne u datoj situaciji.

---

### Opšta bezbednosna uputstva



**UPOZORENJE:** Pročitajte upozoravajuća uputstva koja slede pre korišćenja proizvoda.

---

- Proizvod je opasan ako se koristi na nepravilan način ili ako niste oprezni. Može doći do telesne povrede ili smrti ako se ne pridržavate bezbednosnih uputstava.
- Ovaj proizvod pri radu stvara elektromagnetno polje. Ovo polje u određenim uslovima može da izazove smetnje na aktivnim i pasivnim medicinskim implantatima. U cilju smanjenja rizika od uslova nastanka teških ili smrtnih telesnih povreda, preporučujemo osobama koje imaju medicinske implantate da se pre upotrebe ovog proizvoda konsultuju sa lekarom ili proizvođačem implantata.
- Uvek budite pažljivi i koristite zdrav razum. Ako niste sigurni kako da rukujete proizvodom u određenoj situaciji, prekinite rad i obratite se Husqvarna prodavcu pre nastavka rada.
- Imajte na umu da će se rukovalac smatrati odgovornim za nesrećne slučajeve koji uključuju druge osobe ili njihovu imovinu.

- Održavajte proizvod čistim. Pobrinite se da jasno možete pročitati znakove i nalepnice.
- Nikada nemojte dozvoliti deci ili osobama koje nisu pročitale ova uputstva da koriste uređaj. Uzrast rukovaoca je možda ograničen lokalnim propisima
- Uvek nadzirite osobu sa smanjenim fizičkim ili mentalnim sposobnostima koja koristi proizvod. Odgovorna odrasla osoba mora biti prisutna sve vreme.
- Nemojte da koristite proizvod kada ste umorni, bolesni ili pod uticajem alkohola, droge ili lekova. To ima negativan uticaj na vašu moć vida, opreznost, koordinaciju i rasuđivanje.
- Nemojte da koristite proizvod ako je pokvaren.
- Nemojte vršiti izmene na proizvodu i nemojte koristiti proizvod ako postoji mogućnost da su druge osobe vršile izmene na njemu.
- Uklonite predmete kao što su grane, grančice i kamenje iz radnog područja pre nego što počnete da koristite proizvod.
- Predmeti koji udare o opremu za košenje mogu da budu izbačeni i izazovu povredu osoba ili oštećenje predmeta. Pazite da prisutne osobe i životinje budu na bezbednoj udaljenosti od proizvoda.
- Nikada nemojte koristiti proizvod u lošim vremenskim uslovima kao što su magla, kiša, jak vetar, intenzivna hladnoća i kada postoji opasnost od pojave munja. Korišćenje proizvoda u lošim vremenskim uslovima ili na vlažnim lokacijama je zamorno. Loši vremenski uslovi mogu da izazovu opasne okolnosti, kao što su klizave površine.
- Vodite računa o osobama, predmetima i situacijama koji bi mogli da spreče bezbedan rad proizvoda.
- Pazite na prepreke, kao što su korenje, kamenje, grančice, jame i jarci. Visoka trava može da sakrije prepreke.
- Košenje trave na nagibima može biti opasno. Ne kosite na izuzetno strmim nagibima. Nemojte koristiti proizvod na

## Bezbednost u radnom području



### UPOZORENJE:

Pročitajte upozoravajuća uputstva koja slede pre korišćenja proizvoda.



terenu koji ima nagib veći od 15°

- Strogo vodite računa pri promeni smera na nagibima. Rukujte proizvodom preko prednjih strana nagiba. Nemojte ga pomerati gore i dole.
- Budite pažljivi kada se približavate skrivenim uglovima i predmetima koji bi mogli da blokiraju vaš vidik.

## Bezbednost na radu



### UPOZORENJE:

Pročitajte upozoravajuća uputstva koja slede pre korišćenja proizvoda.

- Koristite ovaj proizvod samo za košenje travnjaka. Nije dozvoljeno njegovo korišćenje za druge zadatke.
- Koristite ličnu zaštitnu opremu. Pogledajte *Lična zaštitna oprema na stranici 510*.
- Naučite kako da brzo zaustavite motor u slučaju opasnosti.
- Nemojte raditi sa proizvodom po kiši ili u vlažnim uslovima. Opasnost od strujnog udara se povećava ako voda prodre u proizvod.
- Nemojte raditi sa proizvodom ako sečivo i svi poklopci nisu pravilno postavljeni. Nepravilno postavljeno sečivo se može otkaçiti i prouzrokovati telesnu povredu.
- Pobrinite se da sečivo ne udara o predmete kao što su kamenje ili korenje. To može dovesti do oštećenja sečiva i savijanja osovine motora. Savijena osovina proizvodi velike vibracije i postoji povećana opasnost da se sečivo olabavi.
- Ako sečivo udari o predmet ili ako se pojave vibracije, odmah zaustavite proizvod. Zaustavite motor, izvucite bezbednosni ključ i uklonite akumulator. Pregledajte proizvod u pogledu oštećenja. Otklonite oštećenja ili dozvolite ovlašćenom servisnom agentu da izvrši popravku.
- Nikada nemojte postavljati ručicu kočnice motora trajno na ručku kada je motor pokrenut.
- Postavite proizvod na stabilnu, ravnu površinu i pokrenite ga. Vodite računa da sečivo ne dodiruje tlo ili druge predmete.
- Uvek stojte iza proizvoda kada radite sa njim.
- Vodite računa da svi točkići ostanu na tlu i držite dve ruke na ručki kada rukujete

proizvodom. Udaljite šake i stopala od rotirajućih sečiva.

- Nemojte naginjati proizvod kada je motor pokrenut.
- Budite pažljivi kada povlačite proizvod unazad.
- Nikada nemojte podizati proizvod kada je motor pokrenut. Ako morate podići proizvod, prvo zaustavite motor, izvucite bezbednosni ključ i uklonite akumulator.
- Nemojte hodati unazad kada radite sa proizvodom.
- Zaustavite motor kada se krećete preko područja bez trave, na primer, stazica napravljenih od šljunka, kamena i asfalta.
- Nemojte trčati sa proizvodom kada je motor pokrenut. Uvek hodajte kada radite sa proizvodom.
- Zaustavite motor pre nego što promenite visinu košenja. Nikada nemojte da vršite podešavanja dok je motor pokrenut.
- Nikada nemojte dozvoliti da proizvod ostane bez nadzora dok je motor pokrenut. Zaustavite motor i uverite se da se oprema za košenje ne okreće.

## Bezbednosna uputstva za rad

### Lična zaštitna oprema

---



#### UPOZORENJE:

Pročitajte upozoravajuća uputstva koja slede pre korišćenja proizvoda.

---

- Lična zaštitna oprema ne može da u potpunosti spreči telesnu povredu, ali ona umanjuje stepen telesne povrede ako dođe do nesrećnog slučaja. Neka vam vaš prodavac pomogne u izboru odgovarajuće opreme.
- Nosite čvrste neklizajuće cizme ili cipele. Nemojte nositi obuću sa otvorenim prstima ili ići bosonogi.
- Uvek nosite duge pantalone od čvrstog materijala.
- Nosite zaštitne rukavice po potrebi, na primer, kada pričvršćujete, pregledate ili čistite opremu za košenje.

### Bezbednosni uređaji na proizvodu

---



#### UPOZORENJE:

Pročitajte upozoravajuća uputstva koja slede pre korišćenja proizvoda.

---

- Nemojte koristiti proizvod na kojem su oštećeni bezbednosni uređaji.
- Redovno proveravajte bezbednosne uređaje. Ako su bezbednosni uređaji neispravni, obratite se svom Husqvarna servisnom agentu.

## Provera poklopca mehanizma za košenje

Poklopac mehanizma za košenje smanjuje vibracije u proizvodu, kao i rizik od povrede nožem.

- Pregledajte poklopac košenja kako biste se uverili da nema oštećenja kao što su naprsline.

## Bezbednosni ključ

Bezbednosni ključ se nalazi ispod poklopca akumulatora. Bezbednosni ključ povezuje akumulator koji snabdeva motor napajanjem.

## Provera bezbednosnog ključa

Bezbednosni ključ povezuje akumulator koji snabdeva motor napajanjem.

- Pokrenite i zaustavite motor. Ako bezbednosni ključ ispravno radi, motor se može pokrenuti samo kada je ključ u sigurnosnoj bravi.

## Ručica kočnice motora

Ručica kočnice motora zaustavlja motor. Kada je ručica kočnice motora otpuštena, motor se zaustavlja.

Da biste izvršili proveru kočnice motora, pokrenite motor a zatim otpustite ručicu kočnice motora. Ako se motor ne zaustavi u roku od 3 sekunde, neka ovlašćeni Husqvarna servisni agent izvrši podešavanje kočnice motora.

(Sl. 21)

## Provera inhibitora pokretanja

Izvršite proveru inhibitora pokretanja kako biste se uverili da sprečava rad motora.

1. Pritisnite ručicu kočnice motora u smeru upravljača. Inhibitor pokretanja zaustavlja kretanje.
2. Pritisnite inhibitor pokretanja ka spolja. (Sl. 22)
3. Otpustite inhibitor pokretanja i uverite se da se vraća u početni položaj.

## Bezbedna upotreba akumulatora



### UPOZORENJE:

Pročitajte upozoravajuća uputstva koja slede pre korišćenja proizvoda.

- Koristite Husqvarna punjive akumulatora kao izvor napajanja samo za odgovarajuće Husqvarna proizvode. Kako bi se sprečila povreda, nemojte koristiti akumulator kao izvor napajanja za druge uređaje.
- Nemojte koristiti akumulator koji se ne mogu puniti.
- Opasnost od strujnog udara. Nemojte povezivati terminale akumulatora na ključeve, kovanice, vijke ili druge metalne predmete. To može dovesti do kratkog spoja akumulatora.
- Nemojte stavljati predmete u proreze za vazduh akumulatora.
- Držite akumulator tako da ne bude izložen sunčevoj svetlosti, toploti ili otvorenom plamenu. Akumulator može da eksplodira i izazove opekotine i/ili hemijske opekotine.
- Držite akumulator tako da ne bude izložen kiši i vlažnim uslovima.
- Držite akumulator dalje od mikrotalasnih pećnica i visokog pritiska.
- Nemojte pokušavati da rastavite ili lomite akumulator.
- Ako akumulator curi, ne dozvolite da vam ta tečnost

dospe na kožu ili u oči. Ako ste dodirnuli tečnost, isperite površinu velikom količinom vode i obratite se doktoru.

- Koristite akumulator na temperaturama između -10 °C i 40 °C.
- Nemojte čistiti akumulator ili punjač akumulatora vodom. Pogledajte *Čišćenje akumulatora i punjača akumulatora na stranici 519*.
- Nemojte koristiti defektan ili oštećen akumulator.
- Držite akumulatora uskladištene tako da budu udaljeni od metalnih predmeta kao što su ekseri, kovanice, nakit.

### Bezbedna upotreba punjača akumulatora



#### UPOZORENJE:

Pročitajte upozoravajuća uputstva koja slede pre korišćenja proizvoda.

- Koristite QC punjače akumulatora samo za punjenje Husqvarna zamenskih akumulatora.
- Opasnost od strujnog udara ili kratkog spoja. Nemojte stavljati predmete u proreze za vazduh punjača. Nemojte pokušavati da rasklopite

- punjač akumulatora. Nemojte povezivati terminale punjača na metalne predmete. Koristite odobrenu mrežnu utičnicu.
- Ovaj proizvod pri radu stvara elektromagnetno polje. Ovo polje u određenim uslovima može da izazove smetnje na aktivnim i pasivnim medicinskim implantima. U cilju smanjenja rizika od uslova od nastanka teških ili smrtnih povreda, preporučujemo osobama koje imaju medicinske implante da se pre upotrebe ovog uređaja konsultuju sa lekarom ili proizvođačem implanta.
  - Redovno proveravajte da kabl za napajanje punjača akumulatora nije oštećen i da na njemu ne postoje naprsline.
  - Nemojte podizati punjač akumulatora za kabl za napajanje. Da biste iskopčali punjač akumulatora sa mrežne utičnice, povucite utikač. Ne vucite kabl za napajanje.
  - Držite kabl za napajanje i produžni kabl dalje od vode, ulja i oštih ivica. Uverite se da kabl nije priklješten vratima, ogrodom ili sličnim stvarima. Time punjač može da dođe pod napon.
  - Nemojte čistiti punjač akumulatora vodom.
  - Punjač akumulatora mogu koristiti deca uzrasta 8 godina i starija i osobe sa smanjenim fizičkim, senzornim ili mentalnim sposobnostima ili nedostatkom iskustva i znanja ako su pod nadzorom ili su upućeni u pogledu korišćenja punjača akumulatora na bezbedan način i razumeju povezane opasnosti. Deca ne smeju da se igraju sa punjačem akumulatora. Deca ne smeju da čiste i održavaju uređaj bez nadzora.
  - Nemojte puniti akumulatore koji se ne pune u punjaču akumulatora.
  - Nemojte koristiti punjač akumulatora u blizini zapaljivih materijala ili materijala koji mogu da izazovu koroziju. Nemojte pokrivati punjač akumulatora. Izvucite utikač kabla iz punjača akumulatora ako se pojave dim ili vatra.
  - Nemojte koristiti defektan ili oštećen punjač akumulatora.
  - Akumulator puniti samo u zatvorenom prostoru u prostoriji sa dobrom ventilacijom i podalje od sunčeve svetlosti. Nemojte

puniti akumulator u vlažnim uslovima.

## Bezbednosna uputstva za održavanje



### UPOZORENJE:

Pročitajte upozoravajuća uputstva koja slede pre korišćenja proizvoda.

- Uklonite bezbednosni ključ pre održavanja proizvoda.
- Pravilno vršite rad na održavanju kako biste povećali radni vek proizvoda i smanjili rizik od nesrećnih slučajeva. Neka ovlašćeni servisni agent izvrši stručne popravke. Obratite se najbližem servisnom agentu za više informacija.
- Vršite samo one radove na održavanju proizvoda koji su navedeni u ovom korisničkom uputstvu.

- Nosite čvrste rukavice kada koristite opremu za košenje. Sečivo je veoma oštro i lako dolazi do posekotina.
- Održavajte rezne ivice oštrom i čistim kako biste dobili najbolje i najbezbednije performanse.
- Neka servisni agent redovno proverava proizvod i vrši potrebna podešavanja i popravke.
- Zamenite oštećene, pohabane ili pokvarene delove.
- Pridržavajte se uputstava za zamenu opreme. Koristite samo opremu od proizvođača.
- Kada se ne koriste, čuvajte proizvod, akumulator i punjač akumulatora odvojeno na suvom i zaključanom zatvorenom mestu. Pobrinite se da deca i neovlašćene osobe ne mogu imati pristup proizvodu, akumulatoru ili punjaču akumulatora.

## Sklapanje

### Uvod



**UPOZORENJE:** Pre sklapanja proizvoda je potrebno da pročitate i razumete poglavlje o bezbednosti.

### Postavljanje i uklanjanje multi akumulatora (oprema)

1. Uklonite 4 gumena poklopca i 4 zavrtnja sa poklopca motora. (Sl. 23)
2. Postavite ploču adaptera na poklopac motora.

3. Pričvrstite ploču adaptera pomoću 4 obezbeđena zavrtnja na moment pritezanja od 5–6 Nm. (Sl. 24)
4. Otvorite poklopac akumulatora.
5. Uklonite akumulator iz pregrade 1. (Sl. 25)
6. Uklonite zaptivni graničnik. (Sl. 26)
7. Pritisnite adapter akumulatora u odeljak akumulatora dok ne čujete klik zvuk. (Sl. 27)
8. Provcite kabl adaptera akumulatora kroz otvor zaptivnog graničnika. Pričvrstite kabl pomoću spojnice. (Sl. 28)
9. Postavite multi akumulator na adapter akumulatora.
10. Povežite multi akumulator na adapter akumulatora. (Sl. 29)

11. Postavite kabl adaptera akumulatora na ručku pomoću 3 fabričke trake. (Sl. 30)
12. Uklonite multi akumulator obrnutim redosledom.



**UPOZORENJE:** Nemojte pričvršćivati kabl suviše labavo na ručku. Kabl može spasti sa ručke i prouzrokovati povredu.

## Skapanje ručke (LC 551iV)

1. Olabavite donju dugmad.
2. Pomerite dugmad u donji kraj žlebova na levoj i desnoj strani proizvoda. (Sl. 31)
3. Stavite ručku u jedan od 2 položaja za visinu.
4. Pomerite dugmad nagore u smeru ručke dok se ne zaustave i ne čujete klik zvuk. (Sl. 32)
5. Potpuno zategnite dugmad.

## Skapanje ručke (LB 548i)

1. Uklonite navrtku ručke i podlošku sa ploče na gornjoj ručki.
2. Postavite gornju ručku u položaj iznad donje ručke.



**OPREZ:** Uverite se da sajle ne budu uhvaćene ili da se ne oštete.

3. Postavite podlošku i polugu za podešavanje ručke. (Sl. 33)
4. Okrenite ručku na stranu radi dobrog položaja za rad kada proizvod koristite blizu zida. (Sl. 34)

## Skapanje hvatača trave (LC 551iV)

1. Postavite ram hvatača trave na vreću za travu tako da krut deo vreće bude na dnu. Ručica rama treba da bude na vrhu vreće za travu. (Sl. 35)
2. Postavite donji deo rama hvatača trave u žleb na dnu hvatača trave.
3. Pričvrstite okvir vreće za travu spojnicama. (Sl. 36)
4. Podignite zadnji poklopac.
5. Pričvrstite hvatač trave na gornju ivicu šasije.
6. Stavite donji deo hvatača trave u kanal sa izbacivanjem trave. (Sl. 37)

## Postavljanje priključka za usitnjavanje (LC 551iV oprema)

1. Podignite zadnji poklopac i uklonite hvatač trave.
2. Postavite priključak za usitnjavanje u kanal za izbacivanje trave. (Sl. 38)
3. Zamenite sečivo sečivom za usitnjavanje iz kompleta za usitnjavanje. Pogledajte *Zamena sečiva na stranici 519*.

# Rukovanje

## Uvod



**UPOZORENJE:** Pre rada sa proizvodom, morate pročitati i razumeti poglavlje o bezbednosti.

## Husqvarna Connect

Husqvarna Connect je besplatna aplikacija za mobilne uređaje. Aplikacija Husqvarna Connect pruža proširene funkcije za proizvod Husqvarna:

- Dodatne informacije o proizvodu.
- Informacije o delovima proizvoda i servisiranju i pomoći u vezi s njima.

## Da biste počeli koristiti Husqvarna Connect

1. Preuzmite aplikaciju Husqvarna Connect na svoj mobilni uređaj.
2. Registrujte se u aplikaciji Husqvarna Connect.
3. Pratite uputstva u aplikaciji Husqvarna Connect da biste se spojili i registrovali proizvod.

## Husqvarna Fleet Services™

Husqvarna Fleet Services™ je rešenje u oblaku koje omogućava menadžeru flote ažurirani pregled svih proizvoda. Husqvarna Fleet Services™ je uključeno za

LC 551iV. Za više informacija o Husqvarna Fleet Services™, pogledajte veb-stranicu [www.husqvarna.com](http://www.husqvarna.com).

## Priprema senzora (oprema)

1. Pomoću senzorskog ključa otvorite poklopac senzora. (Sl. 39)
2. Uklonite senzor.
3. Povežite akumulator sa senzorom. LED lampica senzora se uključuje. (Sl. 40)
4. Preuzmite aplikaciju Husqvarna Fleet Services™.
5. Prijavite se na aplikaciju Husqvarna Fleet Services™.
6. Izvršite proces uparivanja. Pogledajte *Vršenje procesa uparivanja između aplikacije i proizvoda na stranici 515*

## Vršenje procesa uparivanja između aplikacije i proizvoda

1. Prijavite se na aplikaciju Husqvarna Fleet Services™.
2. Izaberite proizvod u aplikaciji.
3. Pomoću mobilnog uređaja skenirajte kôd koji se nalazi iza senzora kako biste instalirali senzor u aplikaciji.

**Napomena:** Potrebno je samo jednom izvršiti proces uparivanja između aplikacije i proizvoda.

## Instaliranje senzora

1. Uverite se da je senzor povezan na aplikaciju Husqvarna Fleet Services™. Pogledajte *Vršenje procesa uparivanja između aplikacije i proizvoda na stranici 515*.
2. Izbušite 2 otvora pored oznaka u otvoru za kućište. (Sl. 41)

**Napomena:** Pobrinite se da su otvori iste dimenzije kao zakivci koji su isporučeni sa senzorom.

3. Pomoću klešta uklonite spoljne otvore na prerezu senzora. (Sl. 42)
4. Izbušite 2 otvora pored oznaka u prerezu senzora. (Sl. 43)
5. Poravnajte prerez senzora sa otvorom za kućište. (Sl. 44)
6. Pričvrstite prerez senzora pomoću zakivaka.
7. Postavite senzor u prerez senzora. Poravnajte belu oznaku na senzoru sa oznakom na prerezu senzora. (Sl. 45)
8. Zatvorite poklopac senzora i zaključajte ga pomoću senzorskog ključa. Uverite se da je vrh Husqvarna „H“ usmeren od bezbednosnog ključa. (Sl. 46)

## Stavljanje proizvoda u položaj za rad (LC 551V)

1. Podignite ručku u uspravan položaj. (Sl. 47)
2. Pomerite dugmad nagore u smeru ručke dok se ne zaustave i ne čujete klik zvuk. (Sl. 32)
3. Potpuno zategnite dugmad.

## Podešavanje visine košenja

Visina košenja se može podesiti u 6 nivoa.

1. Gurnite komandu visine košenja u pravcu točka pa unazad da povećate visinu košenja.
2. Gurnite komandu visine košenja u pravcu točka pa unapred da smanjite visinu košenja. (Sl. 48)



**OPREZ:** Nemojte postavljati visinu košenja suviše nisko. Sečiva mogu da udare o tlo ako površina travnjaka nije ujednačena.

## Akumulator



**UPOZORENJE:** Pre korišćenja akumulatora, morate pročitati i razumeti poglavlje o bezbednosti. Takođe morate pročitati i razumeti korisničko uputstvo za akumulator i punjač akumulatora.

## Status akumulatora

Displej prikazuje preostali kapacitet akumulatora kao i da li postoje problemi sa akumulatorom. Kapacitet akumulatora se prikazuje 5 sekundi nakon isključivanja proizvoda ili pritiska na dugme indikatora akumulatora. Simbol upozorenja na akumulatoru se prikazuje kada je došlo do greške. Pogledajte *Akumulator na stranici 519*.

(Sl. 49)

LED lampice	Status akumulatora
Sve LED lampice svetle	Potpuno napunjeno (75-100%)
LED br. 1, LED br. 2, LED br. 3 svetle	Akumulator je 50%-75% napunjen
LED br. 1, LED br. 2 svetle	Akumulator je 25%-50% napunjen
LED br. 1 svetli	Akumulator je 0%-25% napunjen.
LED br. 1 trepće	Akumulator je prazan. Napunite akumulator.

## Punjenje akumulatora

Napunite akumulator pre prvog korišćenja. Akumulator je samo 30% napunjen prilikom isporuke kupcu.

**Napomena:** Punjač akumulatora je potrebno povezati na napon i frekvenciju navedenu na nazivnoj pločici.

Akumulator se ne puni ako je temperatura akumulatora iznad 50 °C. Punjač akumulatora smanjuje temperaturu akumulatora pre početka punjenja.

1. Povežite jedan kraj kabla za napajanje za punjač akumulatora u utičnicu punjača akumulatora.
2. Povežite drugi kraj kabla za napajanje za punjač akumulatora u uzemljenu mrežnu utičnicu. LED lampica na punjaču akumulatora trepće zeleno jedanput. (Sl. 50)
3. Stavite akumulator u punjač akumulatora. Zelena lampica na punjaču svetli kada je akumulator ispravno povezan na punjač akumulatora. (Sl. 51)
4. Akumulator je potpuno napunjen kada na njemu svetle sve LED lampice. Punite akumulator najviše 24 sata.
5. Da biste iskopčali punjač akumulatora iz mrežne utičnice, povucite utikač, a ne kabl za napajanje.
6. Izvadite akumulator iz punjača akumulatora.

## Status punjenja akumulatora

Husqvarna litijum-jonski akumulator se može puniti ili koristiti na svim nivoima punjenja. Akumulator nije oštećen. Potpuno napunjen akumulator neće smanjiti punjenje kada je akumulator ostavljen na punjaču.



LED displej	Status punjenja
LED br. 1 trepće	0%-25%
LED br. 1 svetli, LED br. 2 trepće	25%-50%
LED br. 1, LED br. 2 svetle, LED br. 3 trepće	50%-75%
LED br. 1, LED br. 2, LED br. 3 svetle, LED br. 4 trepće	75%-100%
LED br. 1, LED br. 2, LED br. 3, LED br. 4 svetle	Potpuno napunjeno

## Punjenje multi akumulatora

**Napomena:** Napunite akumulator ako je to prvi put da se koristi. Novi akumulator je napunjen samo 30%.

1. Uverite se da je akumulator suv.
2. Povežite multi akumulator na adapter. (Sl. 52)
3. Stavite adapter u punjač akumulatora.
4. Proverite da li se zelena LED lampica punjenja na punjaču akumulatora uključila. To znači da su adapter i multi akumulator ispravno povezani. (Sl. 53)
5. Kada sve LED lampice na akumulatoru svetle i adapter prikazuje 100%, akumulator je potpuno napunjen. (Sl. 54)  
Adapter prikazuje stanje napunjenosti u koracima od 1%. Moguća su mala odstupanja na početku punjenja.
6. Da biste iskopčali punjač akumulatora sa mrežne utičnice, povucite utikač. Nemojte vući za kabl.
7. Izvadite adapter iz punjača akumulatora.
8. Izvadite multi akumulator iz adaptera.

**Napomena:** Više informacija ćete naći u uputstvima za multi akumulator i punjač akumulatora.

## Pokretanje proizvoda

1. Podignite poklopac akumulatora.
2. Napunjen akumulator stavite u pregradu za akumulator broj 1 ispod poklopca akumulatora. Za duže vreme rada, stavite drugi napunjen akumulator u pregradu za akumulator broj 2.
3. Izvadite bezbednosni ključ iz držača bezbednosnog ključa.
4. Gurnite bezbednosni ključ u sigurnosnu bravu. (Sl. 55)
5. Stanite iza proizvoda.
6. Pritisnite dugme za uključivanje/isključivanje (ON/OFF) na kontrolnoj tabli. Prikazuje se displej.

7. Olabavite inhibitor pokretanja. (Sl. 22)
8. Pritisnite ručicu kočnice motora u smeru upravljača. (Sl. 56)

## Korišćenje pogona na točkicama (LC 551IV)

- Povucite pogonsku osovinu u smeru upravljača da bi se pokrenuo pogon. (Sl. 57)
- Pritisnite + i - na kontrolnoj tabli da biste postavili brzinu pogona u 4 koraka. (Sl. 58)
- Otpustite pogonsku osovinu da biste deaktivirali pogon, na primer, kada se nalazite blizu prepreke.

## Korišćenje funkcije Save

Proizvod ima funkciju uštede akumulatora (Save) koja pruža duže vreme rada.

1. Pritisnite dugme Save (A) da biste pokrenuli funkciju. Simbol Save (B) prikazuje se na displeju.
2. Ponovo pritisnite dugme Save da biste zaustavili funkciju. Simbol Save (B) nestaje sa displeja. (Sl. 59)

Funkcija Save se automatski zaustavlja ako uslovi tla zahtevaju veću izlaznu snagu. Funkcija Save se automatski ponovo pokreće kada uslovi tla to dozvoljavaju.

## Funkcija PowerBoost

Kada se proizvodom kosi visoka ili vlažna trava, motor automatski povećava broj obrtaja. Da bi se sačuvala snaga akumulatora, motor se automatski vraća u standardni režim kada funkcija PowerBoost nije potrebna.

## Zaustavljanje proizvoda

Proizvod se automatski zaustavlja ako ne radite sa njim tokom 3 minuta.

1. Otpustite ručicu kočnice motora da biste zaustavili motor. (Sl. 21)
2. Pritisnite dugme za uključivanje/isključivanje (ON/OFF) na kontrolnoj tabli. Sve LED lampice i simboli nestaju sa displeja. (Sl. 60)
3. Izvadite bezbednosni ključ iz sigurnosne brave i stavite ga u držač bezbednosnog ključa.

## Za dobre rezultate

- Uvek koristite oštro sečivo. Tupo sečivo daje neujednačeni rezultat i pokošena površina trave postaje žuta. Oštro sečivo takođe koristi manje energije nego tupo sečivo.
- Nemojte kositi više od ¼ dužine trave. Prvo kosite sa visokom visinom košenja. Pregledajte rezultat i spustite visinu košenja na prihvatljivi nivo. Ako je trava zaista visoka, vozite polako i kosite dvaput ako bude potrebno.

- Kosite u različitim smerovima svaki put da biste izbegli pruge na travnjaku.

## Košenje trave bez hvatača trave ili priključka za usitnjavanje (LC 551IV)

1. Podignite zadnji poklopac i uklonite hvatač trave.

2. Ako su postavljeni priključak za usitnjavanje i sečivo za usitnjavanje, uklonite ih.
3. Zatvorite zadnji poklopac pre rada proizvodom.

Kad koristite proizvod, pokošena trava se izbacuje ispod zadnjeg poklopca.

## Održavanje

### Uvod



**UPOZORENJE:** Pre održavanja, morate pročitati i razumeti poglavlje o bezbednosti.

Za sva servisiranja i popravke proizvoda, potrebna je specijalna obuka. Garantujemo dostupnost stručnih popravki i servisiranja. Ako vaš prodavac nije servisni agent, obratite mu se za informacije o najbližem servisnom agentu.

### Šema održavanja

Intervali održavanja su izračunati na osnovu svakodnevnog korišćenja proizvoda. Intervali se menjaju ako se proizvod ne koristi svakodnevno.

Za održavanje označeno sa \*, pogledajte *Bezbedosna uputstva za rad na stranici 510*.

	Svaka upotreba	Mesečno	Svaka sezona
Izvršite generalni pregled	X		
Očistite poklopce transmisije. Uverite se da na motoru nema trave	X		
Proverite inhibitor pokretanja *	X		
Uverite se da bezbednosni uređaji na proizvodu nisu neispravni *	X		
Proverite hvatač trave u pogledu habanja ili istrošenosti	X		
Pregledajte opremu za košenje	X		
Pregledajte poklopac košenja *	X		
Proverite ručicu kočnice motora *	X		
Uverite se da dugme za uključivanje/isključivanje (ON/OFF) ispravno radi i da nije defektno	X		
Pregledajte akumulator u pogledu oštećenja	X		
Proverite punjenje akumulatora	X		
Uverite se da dugmad za otpuštanje na akumulatoru ispravno radi i da akumulator pravilno stoji u proizvodu	X		
Očistite dovode vazduha. Uverite se da na dovodima vazduha nema trave ili prljavštine	X		
Pregledajte punjač akumulatora u pogledu oštećenja i uverite se da ispravno radi		X	
Pregledajte konektore između akumulatora i proizvoda. Takođe pregledajte konektore između akumulatora i punjača akumulatora			X

### Vršenje opšteg pregleda

- Uverite se da su navrtke i zavrtnji na proizvodu zategnuti.

- Uverite se da kablovi na proizvodu nisu u položaju u kojem se mogu oštetiti.

## Zamena sečiva

1. Blokirajte sečivo pomoću komada drveta. (Sl. 61)
2. Uklonite vijak sečiva, opružnu podlošku i sečivo. (Sl. 62)
3. Pregledajte da li su potpora sečiva i vijak sečiva oštećeni.
  - a) Ako zamenite sečivo ili potporu sečiva, zamenite i vijak sečiva, opružnu podlošku i podlošku za trenje.
4. Pregledajte osovinu motora kako biste se uverili da nije savijena.
5. Kada postavite novo sečivo, uverite se da su savijeni krajevi okrenuti u smeru poklopca mehanizma za košenje. (Sl. 63)
6. Postavite podlošku za trenje i sečivo uz potporu sečiva. (Sl. 64)
7. Pobrinite se da je sečivo poravnato sa sredinom osovine motora. (Sl. 65)
8. Blokirajte sečivo pomoću komada drveta. (Sl. 66)
9. Postavite opružnu podlošku i zategnite vijak na moment pritezanja od 65-75 Nm. (Sl. 67)
10. Povucite sečivo rukom da biste proverili da li se slobodno okreće.



**UPOZORENJE:** Koristite zaštitne rukavice. Sečivo je veoma oštro i lako dolazi do posekotina.

11. Pokrenite proizvod kako biste testirali sečivo. Ako sečivo nije ispravno postavljeno, pojavice se vibriranje proizvoda ili rezultat košenja neće biti zadovoljavajući.

## Čišćenje proizvoda

- Očistite plastične delove čistom i suvom krpom.
- Nemojte čistiti proizvod vodom. Voda može da prodre u akumulator ili motor i izazove kratak spoj ili oštećenje proizvoda.
- Nemojte da koristite čistač pod visokim pritiskom za čišćenje proizvoda.

- Nemojte direktno ispirati motor vodom.
- Uklonite lišće, travu i prijavštinu pomoću četke.

## Čišćenje akumulatora i punjača akumulatora



**OPREZ:** Nemojte čistiti akumulator ili punjač akumulatora vodom.

- Uverite se da su akumulator i punjač akumulatora čisti i suvi pre stavljanja akumulatora na punjač akumulatora.
- Očistite terminale akumulatora komprimovanim vazduhom ili pomoću meke i suve krpe.
- Očistite površine akumulatora i punjača akumulatora pomoću meke i suve krpe.

## Pregled opreme za košenje



**UPOZORENJE:** Kako biste sprečili slučajno pokretanje, izvucite bezbednosni ključ, uklonite akumulator i sačekajte najmanje 5 sekundi.



**UPOZORENJE:** Nosite zaštitne rukavice kada vršite održavanje na opremi za košenje. Sečivo je veoma oštro i lako dolazi do posekotina.

1. Pregledajte opremu za košenje u pogledu oštećenja ili naprsina. Uvek zamenite oštećenu opremu za košenje.
2. Pregledajte sečivo da biste videli je li oštećeno ili tupo.

**Napomena:** Nakon oštrenja sečiva potrebno ga je balansirati. Neka servisni centar naoštri, zameni i balansira sečivo. Ako udarite o prepreku nakon čega se proizvod zaustavi, zamenite oštećeno sečivo. Neka servisni centar odredi da li sečivo može da se naoštri ili mora da se zameni.

## Rešavanje problema

### Akumulator

LED lampice na akumulatoru	Moguće greške	Mogući postupak
Zelena LED lampica trepće	Napon akumulatora je nizak	Napunite akumulator. Pogledajte <i>Punjenje akumulatora na stranici 516</i> .

LED lampice na akumulatoru	Moguće greške	Mogući postupak
LED lampica greške trepće	Akumulator je slab	Napunite akumulator. Pogledajte <i>Akumulator na stranici 519</i> .
	Temperatura u radnom okruženju je previsoka ili preniska	Koristite akumulator na temperaturama između -10 °C i 40 °C.
	Prenapon	Proverite da li napon mreže odgovara onom koji je naveden na nazivnoj pločici proizvoda. Izvadite akumulator iz punjača akumulatora. Sačekajte 5 sekundi i ponovo pokušajte punjenje akumulatora. Ako problem nastavi da se pojavljuje, obratite se ovlašćenom servisnom agentu.
LED lampica greške je uključena	Razlika između ćelija je prevelika (1 V)	Obratite se ovlašćenom servisnom agentu.

## Punjač akumulatora

LED lampice na punjaču akumulatora	Moguće greške	Mogući postupak
LED lampica greške trepće	Temperatura u radnom okruženju je previsoka ili preniska	Koristite punjač akumulatora na temperaturama između 5 °C i 40 °C.
LED lampica greške je uključena		Obratite se ovlašćenom servisnom agentu

## Kontrolna tabla

Kôd greške (broj treptaja)	Moguće greške	Mogući postupak
1	Motor transmisije je prevruć.	Pustite da se proizvod ohladi. Uverite se da na transmisiji nema trave. Očistite poklopac transmisije ako je potrebno.
5	Brzina motora prekomerno opada i motor se zaustavlja.	Očistite reznu glavu i povećajte visinu košenja. Pogledajte <i>Podešavanje visine košenja na stranici 516</i> . Ako se greška ne otkloni, obratite se ovlašćenom servisnom agentu.
8	Akumulator je slab.	Napunite akumulator. Pogledajte <i>Punjenje akumulatora na stranici 516</i> .
9	Greška akumulatora ili nema signala sa akumulatora.	Pravilno postavite akumulator u proizvod i pregledajte konektor akumulatora. Ako LED lampica greške na akumulatoru trepće, pogledajte <i>Akumulator na stranici 516</i> .
10	Kontrola motora je prevruća.	Zaustavite motor i sačekajte da se ohladi.
Druge greške	Ako se pojave druge greške, uklonite bezbednosni klič i akumulator i obratite se ovlašćenom servisnom agentu.	

# Transport, skladištenje i odlaganje

## Uvod



**UPOZORENJE:** Kako biste sprečili slučajno pokretanje tokom transporta, izvucite bezbednosni ključ, uklonite akumulator i sačekajte najmanje 5 sekundi.

## Stavljanje proizvoda u položaj za transport (LC 551IV)

1. Olabavite donju dugmad.
2. Pomerite dugmad u donji kraj žlebova na levoj i desnoj strani proizvoda. (Sl. 31)
3. Sklopite ručku unapred. (Sl. 68)
4. Uklonite hvatač trave.

## Transport

- Zahtevi u pogledu transporta opasnih materija primenjuju se na sadržane litijum-jonske akumulatore.
- Za komercijalni transport moraju se poštovati posebni zahtevi koji su navedeni na pakovanju i nalepnicama.
- Pobrinite se da se pridržavate propisa za transport opasnih materija prilikom pripreme proizvoda za transport. Lokalni propisi se mogu primenjivati.
- Uvek uklonite akumulator pre transporta.
- Stavite traku na konektore akumulatora i uverite se da se akumulator ne može pomerati tokom transporta.
- Fiksirajte proizvod tokom transporta.

## Skladištenje

- Uvek uklonite akumulator pre skladištenja.
- Kako bi se sprečili nesrećni slučajevi, uverite se da akumulator nije povezan na proizvod tokom skladištenja.

- Držite punjač akumulatora u zatvorenom i suvom prostoru.
- Držite akumulator i punjač akumulatora u suvom prostoru gde nema vlage ili mraza.
- Iskopčajte akumulator sa punjača akumulatora tokom skladištenja.
- Ne čuvajte akumulator na mestima gde može doći do statičkog pražnjenja. Ne čuvajte akumulator u metalnoj kutiji.
- Čuvajte akumulator na mestu gde je temperatura između 5 °C i 25 °C i van direktne sunčeve svetlosti.
- Čuvajte punjač akumulatora na mestu gde je temperatura između 5 °C i 45 °C i van direktne sunčeve svetlosti.
- Pobrinite se da je akumulator napunjen na 30% - 50% pre skladištenja na duži vremenski period.
- Čuvajte proizvod, akumulator i punjač akumulatora na zaključanom mestu izvan domašaja dece i neovlašćenih osoba.
- Očistite proizvod i izvršite kompletno servisiranje pre nego što uskladištite proizvod na duži vremenski period.

## Odlaganje

Simboli na proizvodu ili njegovom pakovanju ukazuju na to da se ovim proizvodom ne može rukovati kao otpadom iz domaćinstva. On se mora odneti u odgovarajući reciklažni pogon za obnavljanje električne i elektronske opreme.

Starajući se da se na odgovarajući način pobrinete za ovaj proizvod, možete da pomognete da se ublaži mogući negativni uticaj na životnu sredinu i ljude, do kojeg bi u suprotnom došlo u slučaju nepravilnog odlaganja ovog proizvoda na otpad. Za detaljnije informacije o recikliranju ovog proizvoda, obratite se vašoj opštini, „Gradskoj čistoći“ ili osoblju u prodavnici u kojoj ste proizvod kupili.

(Sl. 69)

## Tehnički podaci

### Tehnički podaci

	LB 548i	LC 551IV
<b>Motor košenja</b>		
Tip motora	BLDC (bez četkica) 36 V	BLDC (bez četkica) 36 V
Brzina motora – SavE, o/min*	2600	2600
Brzina motora – nominalna, o/min*	3000	3000
Brzina motora – veliko opterećenje, o/min*	3300	3300
Izlazna snaga motora – maks. kW	1,8	1,8

	LB 548i	LC 551iV
Izlazna snaga motora – nominalna, kW	1,5	1,5
<b>Pogonski motor</b>		
Izlazna snaga motora – nominalna, kW	Nije dostupno	0,3
Brzina samostalnog hoda, km/h	Nije dostupno	3,0–5,0
Nivoi podešavanja brzine	Nije dostupno	4
<b>Težina</b>		
Težina bez akumulatora, kg	31	41
<b>Akumulator</b>		
Tip akumulatora	Husqvarna serija akumulatora	Husqvarna serija akumulatora
<b>Vreme rada akumulatora</b>		
Vreme rada akumulatora, min, (slobodan rad) sa aktiviranjem funkcijom SavE, sa jednim Husqvarna 5,2 Ah akumulatorom (Bli200).	40	30
Vreme rada akumulatora, min, (slobodan rad) sa aktiviranim standardnim režimom, sa jednim Husqvarna 5,2 Ah akumulatorom (Bli200).	30	20
<b>Emisija buke</b> <sup>73</sup>		
Nivo zvučne snage, mereno dB (A)	93	97
Nivo zvučne snage, garantovano L <sub>WA</sub> dB (A)	93	97
<b>Nivoi zvuka</b> <sup>74</sup>		
Nivo zvučnog pritiska na uho rukovaoca, dB (A)	80	84
<b>Nivoi vibracije</b> <sup>75</sup>		
Ručka, m/s <sup>2</sup>	0,3	0,3
<b>Oprema za košenje</b>		
Visina košenja, mm	20–75	20–75
Širina košenja, cm	48	51
Standardno sečivo	Sečivo za usitnjavanje 597466510	Sečivo za sakupljanje 597466310
Oprema za sečivo	Nije dostupno	Sečivo za usitnjavanje 597466410
Kapacitet hvatača trave, l	Nije dostupno	65

\* Broj obrtaja u minuti

<sup>73</sup> Emisije buke u životnoj sredini merene kao zvučna snaga (L<sub>WA</sub>) u skladu sa direktivom 2000/14/EZ.

<sup>74</sup> Prijavljeni podaci za nivo zvučnog pritiska imaju tipičnu statističku disperziju (standardna devijacija) od 1,2 dB (A).

<sup>75</sup> Podaci o nivou vibracije imaju tipičnu statističku disperziju (standardnu devijaciju) od 0,2 m/s<sup>2</sup>. Standard za vibracije EN 60335-2-77:2017 odeljak 20.105

Odobreni akumulatori	Tip	Kapacitet akumulatora, Ah	Napon, V	Težina, lb/kg
BLi20	Litijum-jonski	4,0	36	2,6/1,2
BLi200	Litijum-jonski	5,2	36	2,8/1,3
BLi300	Litijum-jonski	9,4	36	4,1/1,9
BLi550X	Litijum-jonski	15,6	36	12,4/5,6
BLi950X	Litijum-jonski	31,1	36	15,4/7,0

Odobreni punjači za navedene akumulatore, BLi	Ulazni napon, V	Frekvencija, Hz	Snaga, W
QC80	100–240	50–60	80
QC80F	12	0	80
QC330	100–240	50–60	330
QC500	100–240	50–60	500

**KEES VAN DER SPEK**  
TUINMACHINES ★ STOLWIJK

---

## EZ deklaracija o usaglašenosti

---

### EZ deklaracija o usaglašenosti

**Husqvarna AB**, SE-561 82 Huskvarna, Švedska, tel:  
+46-36-146500, izjavljuje da je **kosačica Husqvarna LB 548i, LC 551iV** od godine 2019 i nadalje, usaglašena sa zahtevima DIREKTIVE VEĆA:

- od 8. juna 2011, o „ograničenju upotrebe određenih opasnih supstanci“ **2011/65/EU**
- od 17. maja 2006., „u vezi sa mašinerijom“ **2006/42/EZ**
- od 26. februara 2014, „koja se odnosi na elektromagnetnu kompatibilnost“ **2014/30/EU**
- od 8. maja 2000, „koja se odnosi na emisije buke u okruženju“ **2000/14/EZ**

Za informacije o emisiji buke, pogledajte odeljak Tehnički podaci.

Primenjeni su sledeći standardi:

**IEC 60335-1:2010, IEC 60335-2-77:2002, EN 60335-1:2012, EN 60335-2-77:2010 EN/IEC 62233:2008 EN 61000-6-3:2005 EN 61000-6-1:2005**

Ako nije drugačije naznačeno, navedeni standardi predstavljaju najnovije objavljene verzije.

Ovlašćeno telo: **0404, RISE SMP Svensk Maskinprovning AB, Box 7035, SE-750 07 Uppsala** izvršilo je procenu usaglašenosti u skladu sa Aneksom VI Direktive 2000/14/EZ i izdalo je certifikat sa brojem: 01/901/324 (LB 548i), 01/901/323 (LC 551iV)

Huskvarna, 2020-01-20



Claes Losdal, menadžer razvoja/baštenski proizvodi /  
(ovlašćeni predstavnik kompanije Husqvarna AB i  
odgovorna osoba za tehničku dokumentaciju)



---

## Innehåll

---

Introduktion.....	525	Felsökning.....	539
Säkerhet.....	527	Transport, förvaring och kassering.....	540
Montering.....	534	Tekniska data.....	541
Drift.....	535	EG-försäkran om överensstämmelse.....	543
Underhåll.....	537		

---

## Introduktion

---

### Produktbeskrivning

Produkten är en rotorgräsklippare som styrs av en gående person. På LB 548i-modellen används BioClip till att klippa gräset för gödning.

På LC 551iV-modellen samlas gräset upp i en gräsupsamlare. Du kan ta bort gräsupsamlaren om du

vill att gräset ska komma ut mitt bak. Anslut ett mulchingkit (tillbehör) för att fördela gräset till gödning.

### Avsedd användning

Använd produkten för att klippa gräsmattor i trädgårdar. Använd inte produkten till andra uppgifter.

### Produktöversikt

(Fig. 1)

1. Reglagepanel
2. Motorbromsbygel
3. Startspärr
4. Gräsupsamlare (LC 551iV)
5. Bakre kåpa (LC 551iV)
6. Säkerhetsnyckel
7. Handtag (LC 551iV)
8. Inställningsspak för handtaget (LB 548i)
9. Batterilucka
10. Klipphöjdsreglage (LC 551iV)
11. Knappen PÅ/AV
12. Knappen SavE
13. SavE-indikator
14. Batteriindikator
15. Hastighetsnivåindikator
16. Knappen sänka hastighet
17. Knappen öka hastighet
18. Lysdiod för fel
19. Klippkåpa
20. Luftintag
21. Typskylt
22. Drivbygel (LC 551iV)
23. Batteriladdare (tillbehör)
24. Batteri (tillbehör)
25. Batteripack (tillbehör)
26. Adapterplatta (tillbehör)
27. Batteripackadapter (tillbehör)
28. Bruksanvisning

### Symboler på produkten

(Fig. 2)

**VARNING!** Den här produkten kan vara farlig och kan orsaka allvarlig eller livshotande skada för användaren och andra. Var försiktig och använd produkten på rätt sätt.

(Fig. 3)

Läs noggrant igenom bruksanvisningen och se till att du förstår innehållet innan du använder produkten.

(Fig. 4)

Håll alltid människor och djur på säkert avstånd från arbetsområdet.

(Fig. 5)

Akta dig för utslungade föremål och rikoschetter.

- (Fig. 6) Varning! Håll händer och fötter borta från den roterande kniven.
- (Fig. 7) Varning! Håll händer och fötter borta från roterande delar.
- (Fig. 8) Ta ur tändningsnyckeln före reparationer eller underhåll.
- (Fig. 9) **Miljömärkning.** Produkten eller dess förpackning är inte hushållsavfall. Återvinn den vid en godkänd plats för kassering av elektrisk och elektronisk utrustning.
- (Fig. 10) Produkten överensstämmer med gällande EG-direktiv.
- (Fig. 11) Produkten överensstämmer med gällande direktiv från Eurasiska tullunionen.
- (Fig. 12) Produkten överensstämmer med gällande UkrSEPRO-direktiv.
- (Fig. 13) Produkten överensstämmer med

gällande RCM-direktiv.  
Gäller endast för AU/NZ

- (Fig. 14) Emission av buller till omgivningen överensstämmer med EG-direktiv. Produktens emission av buller anges i *Tekniska data på sida 541* och på dekalen.

**IPX4** Skyddad mot vattenstänk.  
**IPX4**

- (Fig. 19) Startprocedur: tryck på PÅ/AV-knappen, lyft på startspärren och tryck ned motorbromsbygeln.
- (Fig. 15) Stoppa genom att släppa motorbromsbygeln.
- (Fig. 16) Långsamt
- (Fig. 17) Snabb
- (Fig. 18) Kod som kan skannas

---

**Notera:** Övriga symboler/etiketter på produkten avser specifika krav för certifieringar på vissa marknader.

---

## Märkning på produkten

(Fig. 20)

Håll händer och fötter borta från de roterande knivarna.

## Produktansvar

Enligt lagstiftningen för produktansvar ansvarar vi inte för skador som vår produkt orsakar om:

- produkten repareras felaktigt
- produkten repareras med delar som inte kommer från tillverkaren eller inte har godkänts av tillverkaren
- produkten har ett tillbehör som inte kommer från tillverkaren eller inte har godkänts av tillverkaren
- produkten inte repareras vid ett godkänt servicecenter eller av en godkänd person.

### Säkerhetsdefinitioner

Varningar, försiktighetsåtgärder och anmärkningar används för att betona speciellt viktiga delar i bruksanvisningen.



**WARNING:** Används om det finns risk för skador eller dödsfall för föraren eller kringstående om anvisningarna i bruksanvisningen inte följs.

---



**OBSERVERA:** Används om det finns risk för skada på produkten, annat material eller det angränsande området om anvisningarna i bruksanvisningen inte följs.

---

**Notera:** Används för att ge mer information som är nödvändig i en viss situation.

---

### Allmänna säkerhetsanvisningar



**WARNING:** Läs varningsinstruktionerna nedan innan du använder produkten.

---

- Denna produkt är farlig om den används på fel sätt, och om du inte är försiktig. Skada eller dödsfall kan inträffa om du inte följer säkerhetsinstruktionerna.
- Denna produkt alstrar ett elektromagnetiskt fält under drift. Detta fält kan under vissa omständigheter ge påverkan på aktiva eller passiva medicinska implantat. För att reducera risken för omständigheter som kan leda till allvarliga eller livshotande skador rekommenderar vi därför personer med implantat att rådgöra med läkare samt tillverkaren av det medicinska implantatet innan denna produkt används.
- Var alltid försiktig och använd sunt förnuft. Om du inte vet hur du ska använda produkten i en särskild situation ska du stanna den och tala med en Husqvarna-återförsäljare innan du fortsätter.
- Tänk på att användaren kommer att hållas ansvarig för olyckor som involverar andra människor eller deras egendom.

- Håll produkten ren. Se till att du kan läsa skyltar och dekaler tydligt.
- Låt aldrig barn eller personer som inte känner till de här instruktionerna använda produkten. Det kan finnas en åldersgräns för användning enligt lokala föreskrifter.
- Övervaka alltid en person med nedsatt fysisk eller mental kapacitet som använder produkten. En vuxen person måste vara närvarande hela tiden.
- Använd aldrig produkten om du är trött, sjuk eller om du är påverkad av alkohol, droger eller läkemedel. Detta har en negativ inverkan på din syn, ditt omdöme och din kroppskontroll.
- Använd inte produkten om den är trasig.
- Modifiera aldrig den här produkten och använd den inte om det är möjligt att den har blivit modifierad av andra.
- Ta bort föremål som grenar, kvistar och stenar från arbetsområdet innan du använder produkten.
- Objekt som slår mot skärutrustningen kan slungas ut och orsaka skador på personer och föremål. Håll alltid människor och djur på säkert avstånd från produkten.
- Använd aldrig produkten i dåligt väder, som dimma, regn, hård vind, extrem kyla och risk för blixtnedslag. Det är ansträngande att använda produkten i dåligt väder eller på fuktiga eller våta platser. Dåligt väder kan leda till farliga förhållanden, t.ex. hala ytor.
- Håll utkik efter personer, föremål och situationer som kan förhindra säker användning av produkten.
- Håll utkik efter hinder, som rötter, stenar, grenar, gropar och diken. Långt gräs kan dölja hinder.
- Det kan vara farligt att klippa gräs i sluttningar. Klipp inte alltför branta sluttningar. Använd inte produkten i terräng som lutar mer än 15°.
- Var mycket försiktig när du ändrar riktning i sluttningar. Klipp tvärs över sluttningar. Inte upp och ned.

## Säkerhet i arbetsområdet



**WARNING:** Läs varningsinstruktionerna nedan innan du använder produkten.

- Var uppmärksam när du närmar dig dolda hörn och föremål som skymmer sikten.

## Arbetssäkerhet

---



**VARNING:** Läs varningsinstruktionerna nedan innan du använder produkten.

---

- Använd enbart den här produkten för att klippa gräsmattor. Det är inte tillåtet att använda den för andra uppgifter.
  - Använd personlig skyddsutrustning. Se *Personlig skyddsutrustning på sida 530*.
  - Se till att du vet hur man snabbt stoppar motorn i en nödsituation.
  - Använd inte produkten i regn eller vid blöta förhållanden. Risken för elektriska stötar ökar om vatten kommer in i produkten.
  - Använd inte produkten utan att kniven och alla kåpor är korrekt monterade. En felaktigt monterad kniv kan lossna och orsaka personskador.
  - Se till att kniven inte slår emot föremål som stenar och rötter. Detta kan göra att kniven skadas och böja motoraxeln.
- En böjd axel orsakar kraftiga vibrationer och risken för att kniven lossnar blir mycket hög.
  - Om kniven träffar ett föremål eller om det uppstår vibrationer ska du omedelbart stanna produkten. Stäng av motorn, dra upp säkerhetsnyckeln och ta bort batteriet. Kontrollera om det finns några skador på produkten. Reparera skadorna eller låt en behörig serviceverkstad utföra reparationen.
  - Fäst aldrig motorbromsbygeln permanent på handtaget när motorn är igång.
  - Ställ produkten på ett stabilt plant underlag och starta den. Se till att kniven inte vidrör marken eller andra föremål.
  - Håll dig alltid bakom produkten när du använder den.
  - Låt alla hjul stå på marken och håll båda händerna på handtaget när du använder produkten. Håll händer och fötter borta från de roterande knivarna.
  - Luta inte produkten när motorn är igång.
  - Var försiktig när du drar produkten bakåt.
  - Lyft aldrig upp produkten när motorn är igång. Om du måste

lyfta produkten stänger du av motorn, drar upp säkerhetsnyckeln och tar bort batteriet.

- Gå inte baklänges när du använder produkten.
- Stäng av motorn när du rör dig över områden utan gräs, t.ex. gångar av grus, sten och asfalt.
- Spring inte med produkten när motorn är igång. Gå alltid när du använder produkten.
- Stäng av motorn innan du ändrar klipphöjden. Gör aldrig justeringar med motorn igång.
- Lämna aldrig produkten utanför ditt synfält med motorn igång. Stäng av motorn och se till att skärutrustningen inte roterar.

### Säkerhetsinstruktioner för drift

#### Personlig skyddsutrustning



**WARNING:** Läs varningsinstruktionerna nedan innan du använder produkten.

- Personlig skyddsutrustning kan inte eliminera skaderisken helt, men den reducerar effekten av en skada vid ett eventuellt olyckstillbud. Be din återförsäljare om hjälp med att välja rätt utrustning.

- Använd kraftiga halssäkra kängor eller skor. Använd inte öppna skor och var inte barfota.
- Använd tjockare långbyxor.
- Använd skyddshandskar vid behov, till exempel när du ansluter, undersöker eller rengör skärutrustningen.

#### Säkerhetsanordningar på produkten



**WARNING:** Läs varningsinstruktionerna nedan innan du använder produkten.

- Använd inte en produkt med defekta säkerhetsanordningar.
- Kontrollera säkerhetsanordningarna regelbundet. Om säkerhetsanordningarna är defekta ska du prata med din Husqvarna serviceverkstad.

#### Kontrollera klippkåpan

Klippkåpan dämpar vibrationerna och minskar risken för skador orsakade av kniven.

- Undersök klippkåpan för att se till att där inte finns några skador, t.ex. sprickor.

## Säkerhetsnyckel

Säkerhetsnyckeln finns under batteriluckan. Säkerhetsnyckeln kopplar in batteriet som matar motorn med ström.

### Kontrollera säkerhetsnyckeln

Säkerhetsnyckeln kopplar in batteriet som matar motorn med ström.

- Starta och stäng av motorn. Om säkerhetsnyckeln fungerar går det endast att starta motorn när säkerhetsnyckeln sitter i säkerhetslåset.

### Motorbromsbygel

Motorbromsbygeln stänger av motorn. När motorbromsbygeln släpps stannar motorn.

För att inspektera motorbromsen ska du starta motorn och sedan släppa motorbromsbygeln. Om motorn inte stannar inom tre sekunder ska du låta en godkänd Husqvarna-serviceverkstad justera motorbromsen.

(Fig. 21)

### Undersöka startspärren

Gör en kontroll av startspärren för att se till att den hindrar drift av motorn.

1. Tryck motorbromsbygeln i handtagets riktning. Startspärren stoppar rörelsen.
2. Tryck ut startspärren. (Fig. 22)
3. Lossa startspärren och se till att den går tillbaka till ursprungsläget.

### Batterisäkerhet



**WARNING:** Läs varningsinstruktionerna nedan innan du använder produkten.

- Använd endast laddningsbara batterier från Husqvarna som strömkälla för relaterade Husqvarna-produkter. På grund av risken för skador ska du inte använda batteriet som strömkälla för andra enheter.
- Använd inte batterier som inte är laddningsbara.
- Risk för elektrisk stöt. Anslut inte batteripolerna till nycklar, mynt, skruvar eller andra metallföremål. Det kan orsaka kortslutning i batteriet.
- Placera inte föremål i luftspringorna på batteriet.
- Håll batteriet borta från direkt solljus, värme och öppen eld. Batteriet kan explodera och

- orsaka brännskador och/eller kemiska brännskador.
- Håll batteriet borta från regn och fuktiga förhållanden.
  - Håll batteriet borta från mikrovågor och högt tryck.
  - Försök inte ta isär eller krossa batteriet.
  - Om batteriet läcker ska du inte låta vätskan komma i kontakt med huden eller ögonen. Om du har rört vid vätskan ska du rengöra området med stora mängder vatten och kontakta läkare.
  - Använd batteriet vid temperaturer mellan  $-10\text{ }^{\circ}\text{C}$  och  $40\text{ }^{\circ}\text{C}$ .
  - Rengör inte batteriet eller batteriladdaren med vatten. Se *Rengöra batteriet och batteriladdaren på sida 539*.
  - Använd inte ett defekt eller skadat batteri.
  - Håll batterier som förvaras borta från metallföremål, exempelvis spikar, mynt och smycken.
- Använd endast QC-batteriladdare för att ladda utbytesbatterier från Husqvarna.
  - Risk för elektrisk stöt eller kortslutning. Placera inte föremål i luftspringorna på laddaren. Försök inte plocka isär batteriladdaren. Anslut inte laddarens kontakter till metallföremål. Använd ett godkänt eluttag.
  - Denna produkt alstrar ett elektromagnetiskt fält under drift. Detta fält kan under vissa omständigheter ge påverkan på aktiva eller passiva medicinska implantat. För att reducera risken för omständigheter som kan leda till allvarliga eller livshotande skador rekommenderar vi därför personer med implantat att rådgöra med läkare samt tillverkaren av det medicinska implantatet innan denna maskin används.
  - Kontrollera regelbundet att nätsladden till batteriladdaren är oskadad och att inga sprickor finns.
  - Lyft inte batteriladdaren i nätsladden. Koppla bort batteriladdaren från eluttaget genom att dra i kontakten. Dra inte i nätsladden.

## Säkerhet, batteriladdare



**VARNING:** Läs varningsinstruktionerna nedan innan du använder produkten.

---



- Håll nätsladd och skarvsladd borta från vatten, olja och skarpa kanter. Var uppmärksam så att inte kabeln kläms i dörrar, stängsel eller liknande. Det kan annars medföra att laddaren blir strömförande.
- Rengör inte batteriladdaren med vatten.
- Batteriladdaren kan användas av barn från 8 år och uppåt och personer med olika funktionshinder eller bristande erfarenhet och kunskap om de hålls under uppsikt eller får instruktioner om säker användning av batteriladdaren och förstår de risker användandet medför. Barn får inte leka med batteriladdaren. Rengöring och underhåll får inte utföras av barn utan tillsyn.
- Ladda aldrig batterier som inte är laddningsbara i batteriladdaren.
- Använd inte batteriladdaren nära brandfarliga material eller material som kan orsaka korrosion. Täck inte över batteriladdaren. Dra ut stickkontakten till batteriladdaren vid rökutveckling eller brand.
- Använd aldrig defekta eller skadade batteriladdare.
- Ladda endast batteriet inomhus där den inte utsätts för solljus och i ett rum med bra luftflöde. Ladda inte batteriet vid fuktiga förhållanden.

## Säkerhetsinstruktioner för underhåll

---



**WARNING:** Läs varningsinstruktionerna nedan innan du använder produkten.

---

- Ta ur tändningsnyckeln innan du utför underhåll på produkten.
- Utför underhållsarbete på rätt sätt för att öka produktens livslängd och minska risken för olyckor. Låt en godkänd serviceverkstad utföra fackmannamässig reparation. Tala med din närmaste serviceverkstad för mer information.
- Utför endast det underhållsarbete som anges i den här bruksanvisningen.
- Använd kraftiga arbetshandskar när du använder skärutrustningen. Kniven är mycket vass och skärskador uppstår lätt.

- Håll den skärande delen skarp och ren för bästa och säkraste prestanda.
- Låt din serviceverkstad regelbundet kontrollera produkten och göra nödvändiga inställningar och reparationer.
- Byt ut skadade, slitna och trasiga delar.
- Följ instruktionerna för byte av tillbehör. Använd endast tillbehör från tillverkaren.
- När den inte används ska du hålla produkten, batteriet och batteriladdaren ifrån varandra på ett torrt och låst utrymme inomhus. Se till att barn och personer som inte är godkända inte kan få tillgång till produkten, batteriet eller batteriladdaren.

---

## Montering

---

### Introduktion



**WARNING:** Läs och förstå säkerhetskapitlet innan du monterar produkten.



**WARNING:** Fäst inte sladden för löst vid handtaget. Om du gör det kan den lossna från handtaget och orsaka skador.

### Montera och ta bort batteripaket (tillbehör)

1. Ta bort de fyra gummiskyddena och de fyra skruvarna från motorkåpan. (Fig. 23)
2. Sätt adapterplattan på motorkåpan.
3. Fäst adapterplattan med hjälp av de fyra medföljande skruvarna och dra åt till 5–6 Nm. (Fig. 24)
4. Öppna batteriluckan.
5. Ta bort batteriet i fack 1. (Fig. 25)
6. Ta bort tätningen. (Fig. 26)
7. Skjut in batteriadaptern i batterifacket tills du hör ett klick. (Fig. 27)
8. Dra sladden till batteriadaptern genom tätningshålet. Fäst sladden med hjälp av klämman. (Fig. 28)
9. Sätt batteripaketet i batteriadaptern.
10. Anslut batteripaketet till batteriladdaren. (Fig. 29)
11. Fäst batteriadaptersladden på handtaget med hjälp av de tre tygremmarna. (Fig. 30)
12. Om du vill ta bort batteripaketet gör du det i omvänd ordning.

### Montera handtaget (LC 551iV)

1. Lossa de nedre vreden.
2. Flytta vreden till den nedre delen av spåren på produktens vänstra och högra sida. (Fig. 31)
3. Ställ in handtagshöjden till ett av två tillgängliga lägen.
4. Skjut vreden uppåt mot handtaget tills det tar stopp och du hör ett klick. (Fig. 32)
5. Dra åt vreden helt.

### Montera handtaget (LB 548i)

1. Ta bort handtagsmuttern och brickan från plattan på det övre handtaget.
2. Placera det övre handtaget i rätt läge på det undre handtaget.



**OBSERVERA:** Se till att ledningarna inte kläms eller skadas.

3. Fäst brickan och inställningsspaken för handtaget. (Fig. 33)
4. Vrid handtaget till sidan för en bättre position när du använder produkten nära en vägg. (Fig. 34)

## Montera gräsupsamlaren (LC 551iV)

1. Fäst gräsupsammlarens ram i gräsbehållaren, med behållarens stela del nedåt. Håll ramens handtag ovanpå gräsbehållaren. (Fig. 35)
2. Sätt fast den nedre delen av gräsupsammlarens ram i spåret på undersidan av gräsupsammlaren.
3. Fäst gräsbehållaren på gräsupsammlarens ram med klämmorna. (Fig. 36)
4. Lyft den bakre kåpan.
5. Fäst gräsupsammlaren i den övre kanten på chassit.

6. Sätt den nedre delen av gräsupsammlaren i gräsutkastkanalen. (Fig. 37)

## Montera mulchingpluggen (tillbehör för LC 551iV)

1. Lyft upp den bakre kåpan och ta loss gräsupsammlaren.
2. För in mulchingpluggen i utkastkanalen. (Fig. 38)
3. Byt ut kniven mot mulchingkniven som tillhandahålls i mulchingkitet. Se *Byta knivar på sida 538*.

## Drift

### Introduktion



**VARNING:** Innan du använder produkten måste du läsa igenom och förstå kapitlet om säkerhet.

### Husqvarna Connect

Husqvarna Connect är en kostnadsfri app för mobila enheter. Husqvarna Connect-appen utökar funktionerna för Husqvarna-produkten:

- Mer produktinformation.
- Information om, och hjälp med, produktdelar och service.

### Börja använda Husqvarna Connect

1. Hämta Husqvarna Connect-appen på din mobila enhet.
2. Utför registreringen i Husqvarna Connect-appen.
3. Följ instruktionerna i Husqvarna Connect-appen för att ansluta och registrera produkten.

### Husqvarna Fleet Services™

Husqvarna Fleet Services™ är en molnlösning som ger serviceteknikern en översikt över alla produkter. Husqvarna Fleet Services™ ingår för LC 551iV. Mer information om Husqvarna Fleet Services™ finns på [www.husqvarna.se](http://www.husqvarna.se).

### Förbereda sensorn (tillbehör)

1. Använd sensornyckeln till att öppna locket till sensorn. (Fig. 39)
2. Ta bort sensorn.
3. Anslut batteriet till sensorn. Lampan på sensorn tänds. (Fig. 40)
4. Ladda ned appen Husqvarna Fleet Services™.
5. Logga in i Husqvarna Fleet Services™ -appen.
6. Parkoppla. Se *Parkoppla produkten och appen på sida 535*

### Parkoppla produkten och appen

1. Logga in i Husqvarna Fleet Services™ -appen.
2. Välj produkten i appen.
3. Installera sensorn i appen genom att skanna koden bakom den med hjälp av din mobila enhet.

**Notera:** Du behöver endast parkoppla produkten och appen en gång.

### Montera sensorn

1. Kontrollera att sensorn är ansluten i appen Husqvarna Fleet Services™. Se *Parkoppla produkten och appen på sida 535*.
2. Borra hål vid de två markeringarna i facket i höljet. (Fig. 41)

**Notera:** Se till att hålen har samma mått som de nitar som medföljer sensorn.

3. Använd en tång till att ta bort de yttre hålen från sensorhållaren. (Fig. 42)
4. Borra hål vid de två markeringarna i sensorhållaren. (Fig. 43)
5. Rikta in sensorhållaren mot facket i höljet. (Fig. 44)
6. Montera sensorhållaren med hjälp av nitarna.
7. Montera sensorn i sensorhållaren. Rikta in den vita markeringen på sensorn mot markeringen på sensorhållaren. (Fig. 45)
8. Stäng locket till sensorn och läs det med hjälp av sensornyckeln. Se till att överdelen av "H" som i "Husqvarna" är riktat bort från säkerhetsnyckeln. (Fig. 46)

### Ställa produkten i arbetsläget ((LC 551iV))

1. Lyft upp handtaget till upprätt läge. (Fig. 47)
2. Skjut vreden uppåt mot handtaget tills det tar stopp och du hör ett klick. (Fig. 32)
3. Dra åt vreden helt.

## Ställa in klipphöjden

Klipphöjden kan justeras i sex nivåer.

1. Tryck klipphöjdsreglaget i riktning mot hjulet och sedan bakåt för att höja klipphöjden.
2. Tryck klipphöjdsreglaget i riktning mot hjulet och sedan framåt för att minska klipphöjden. (Fig. 48)



**OBSERVERA:** Ställ inte in för låg klipphöjd. Knivarna kan träffa marken om gräsmattans yta inte är plan.

## Batteri



**WARNING:** Innan du använder batteriet måste du läsa igenom och förstå kapitlet om säkerhet. Du måste också läsa igenom och förstå den bruksanvisning som medföljer batteriet och batteriladdaren.

## Batteristatus

Displayen visar den återstående batterikapaciteten och om det föreligger problem med batteriet. Batterikapaciteten visas i fem sekunder efter att produkten har stängts av eller batteriindikatorknappen har tryckts in. Varningssymbolen på batteriet tänds när ett fel har inträffat. Se *Batteri på sida 539*.

(Fig. 49)

Lysdioder	Batteristatus
Alla lysdioder är tända	Fulladdat (75–100 %)
Lysdiod 1, 2 och 3 lyser	Batteriet är 50–75 % laddat
Lysdiod 1 och 2 lyser	Batteriet är 25–50 % laddat
Lysdiod 1 lyser	Batteriet är 0–25 % laddat.
Lysdiod 1 blinkar	Batteriet är tomt. Ladda batteriet.

## Ladda batteriet

Ladda batteriet före första användning. Batteriet är endast 30 % laddat när det levereras till kunden.

**Notera:** Batteriladdaren måste vara kopplad till den spänning och frekvens som anges på typskylten.

Batteriet laddas inte om batteritemperaturen är över 50 °C. Batteriladdaren sänker batteriets temperatur innan den börjar ladda.

1. Anslut den ena änden av batteriladdarens nätsladd till batteriladdarens uttag.

2. Anslut den andra änden av batteriladdarens nätsladd till ett jordat eluttag. Lysdioden på batteriladdaren blinkar grönt en gång. (Fig. 50)
3. Sätt i batteriet i batteriladdaren. Den gröna lampan på laddaren tänds när batteriet är korrekt anslutet till laddaren. (Fig. 51)
4. När alla lysdioder på batteriet lyser är batteriet fulladdat. Ladda batteriet i högst 24 timmar.
5. Koppla bort batteriladdaren ur vägguttaget genom att dra i kontakten, inte i nätsladden.
6. Ta ut batteriet ur batteriladdaren.

## Batteriladdningsstatus

Ett litiumjonbatteri från Husqvarna kan laddas eller användas vid alla laddningsnivåer. Batteriet inte är skadat. Ett fulladdat batteri laddas inte ur även om batteriet sitter kvar i laddaren.

LED-display	Laddningsstatus
Lysdiod 1 blinkar	0–25 %
Lysdiod 1 lyser, 2 blinkar	25–50%
Lysdioderna 1 och 2 lyser, 3 blinkar	50–75 %
Lysdioderna 1, 2 och 3 lyser, 4 blinkar	75–100%
Lysdioderna 1, 2, 3 och 4 lyser	Fulladdat

## Ladda batteripacket

**Notera:** Ladda batteriet om det är första gången du använder det. Ett nytt batteri är endast 30 % laddat.

1. Se till att batteriet är torrt.
2. Anslut batteripacket till adaptorn. (Fig. 52)
3. Sätt adaptorn i batteriladdaren.
4. Se till att den gröna laddningslampan på batteriladdaren tänds. Det innebär att adaptorn och batteripacket är anslutna på rätt sätt. (Fig. 53)
5. När alla lampor på batteriet är tända och det står "100 %" på adaptorn är batteriet fulladdat. (Fig. 54)

Laddningsstatusen visas i steg om 1 % på adaptorn. Eventuellt kan det finnas små avvikelser i början av laddningen.

6. Koppla bort batteriladdaren från eluttaget genom att dra i kontakten. Dra ej i kabeln.
7. Ta bort batteriet från batteriladdaren.
8. Ta bort batteripacket från produkten.

**Notera:** Mer information finns i handböckerna för batteripacket och batteriladdaren.

## Starta produkten

1. Lyft upp batteriluckan.
2. Sätt ett laddat batteri i batterifack 1 under batteriluckan. Om du vill förlänga drifttiden sätter du ett andra laddat batteri i batterifack 2.
3. Koppla bort säkerhetsnyckeln från säkerhetsnyckelhållaren.
4. Tryck in säkerhetsnyckeln i säkerhetslåset. (Fig. 55)
5. Stå bakom produkten.
6. Tryck på PÅ/AV-knappen på reglagepanelen. Displayen tänds.
7. Lossa startspärren. (Fig. 22)
8. Tryck motorbromsbygeln i handtagets riktning. (Fig. 56)

## Använda drivningen på hjulen (LC 551iV)

- Dra drivbygeln i handtagets riktning för att starta drivningen. (Fig. 57)
- Tryck på + och – på reglagepanelen för att ange hastigheten i fyra steg. (Fig. 58)
- Släpp drivbygeln för att koppla ur drivningen, t.ex. när du går nära ett hinder.

## Använda SavE-funktionen

Produkten har en batterisparfunktion (SavE) som ger längre drifttid.

1. Tryck på SavE-knappen (A) för att starta funktionen. SavE-symbolen (B) på displayen tänds.
2. Tryck på SavE-knappen igen för att stänga av funktionen. SavE-symbolen (B) på displayen släcks. (Fig. 59)

SavE-funktionen stängs automatiskt av om markförhållandena kräver högre effekt. SavE-funktionen startar automatiskt igen när markförhållandena tillåter.

## PowerBoost-funktion

När produkten klipper högt eller vått gräs ökar motorn automatiskt varvtalet. För att spara batteritid ändras

motorn automatiskt till standardläget när PowerBoost-funktionen inte behövs.

## Stoppa produkten

Produkten stängs av automatiskt om du inte använder den på tre minuter.

1. Släpp motorbromsbygeln för att stänga av motorn. (Fig. 21)
2. Tryck på PÅ/AV-knappen på reglagepanelen. Alla lysdioder och symboler på displayen släcks. (Fig. 60)
3. Ta bort säkerhetsnyckeln från säkerhetslåset och placera den i säkerhetsnyckelhållaren.

## Få ett bra resultat

- Använd alltid en vass kniv. En slö kniv ger ett ojämnt resultat och grässets snittyta blir gul. En vass kniv förbrukar mindre energi än en slö kniv.
- Klipp inte mer än en tredjedel av grässets längd. Klipp först med hög klipphöjd. Undersök resultatet och sänk klipphöjden till en lämplig nivå. Om gräset är väldigt långt kan du köra sakta och klippa två gånger vid behov.
- Klipp i olika riktningar varje gång för att undvika ränder i gräsmattan.

## Klippa gräs utan någon monterad gräsuppsamlare eller mulchingplugg ((LC 551iV))

1. Lyft upp den bakre kåpan och ta loss gräsuppsamlaren.
2. Om en mulchingplugg och en mulchingkniv är monterade tar du bort dem.
3. Stäng den bakre kåpan innan du använder produkten.

När du använder produkten kastas gräsklippet ut under den bakre kåpan.

---

## Underhåll

---

### Introduktion



**WARNING:** Innan du utför underhåll måste du läsa och förstå kapitlet om säkerhet.

För allt service- och reparationsarbete på produkten krävs särskild utbildning. Vi garanterar att du kan få en fackmannamässig reparation och service utförd. Om din återförsäljare inte är en serviceverkstad kan du tala med dem för information om närmaste serviceverkstad.

### Underhållsschema

Underhållsintervallen beräknas utifrån daglig användning av produkten. Intervallen ändras om produkten inte används dagligen.

För underhåll som markeras med \*, se *Säkerhetsinstruktioner för drift på sida 530.*

	Varje användning	Varje månad	Varje säsong
Utför en allmän inspektion	X		
Rengör transmissionskåporna. Se till att det inte finns gräs på motorn	X		
Kontrollera startspärren*	X		
Kontrollera att produktens säkerhetsanordningar inte är defekta*	X		
Kontrollera om gräsuppsamlaren är sliten eller skadad	X		
Kontrollera skärutrustningen	X		
Kontrollera klippkåpan*	X		
Kontrollera motorbromsbygeln*	X		
Se till att PÅ/AV-knappen fungerar som den ska och inte är defekt	X		
Undersök om det finns några skador på batteriet	X		
Kontrollera batteriladdningen	X		
Se till att frigöringsknapparna på batteriet fungerar och låser fast batteriet i produkten	X		
Rengör luftintagen. Se till att det inte finns gräs eller smuts på luftintagen	X		
Kontrollera om batteriladdaren är skadad och se till att den fungerar		X	
Undersök anslutningarna mellan batteriet och produkten. Kontrollera anslutningen mellan batteriet och batteriladdaren			X

## Allmän inspektion

- Se till att skruvar och muttrar på produkten är åtdragna.
- Se till att produktens kablar inte är i ett läge där de kan skadas.

## Byta knivar

1. Lås kniven med en träbit. (Fig. 61)
2. Ta bort knivbulten, fjäderbrickan och kniven. (Fig. 62)
3. Kontrollera om knivstödet och knivbulten har skador.
  - a) Om du byter ut kniven eller knivstödet ska du också byta ut knivbulten, fjäderbrickan och friktionsbrickan.
4. Kontrollera motoraxeln för att se till att den inte är böjd.
5. När du monterar den nya kniven ska du rikta knivens böjda ändar mot klippkåpan. (Fig. 63)
6. Lägg friktionsbrickan och kniven mot knivstödet. (Fig. 64)
7. Se till att kniven är i linje med mitten av motoraxeln. (Fig. 65)
8. Lås kniven med en träbit. (Fig. 66)

9. Montera fjäderbrickan och dra åt bulten med ett vridmoment på 65-75 Nm. (Fig. 67)
10. Dra runt kniven för hand och se till att den roterar fritt.



**WARNING:** Använd skyddshandskar. Kniven är mycket vass och skärskador uppstår lätt.

11. Starta produkten för att testa kniven. Om kniven inte är korrekt monterad känner du vibrationer i produkten eller så är klippresultat otillfredsställande.

## Rengöra produkten

- Rengör plastdelar med en ren och torr trasa.
- Använd inte vatten för att rengöra produkten. Vatten kan tränga in i batteriet eller motorn och orsaka kortslutning eller skada på produkten.
- Undvik att använda högtryckstvätt när du rengör maskinen.
- Spola inte vatten direkt på motorn.
- Använd en borste för att ta bort löv, gräs och smuts.

## Rengöra batteriet och batteriladdaren



**OBSERVERA:** Rengör inte batteriet eller batteriladdaren med vatten.

- Se till att batteriet och batteriladdaren är rena och torra innan du sätter i batteriet i batteriladdaren.
- Rengör batteripolerna med tryckluft eller med en mjuk, torr trasa.
- Rengör ytorna på batteriet och batteriladdaren med en mjuk, torr trasa.

## Kontrollera skärutrustningen



**VARNING:** För att förhindra oavsiktlig start drar du upp säkerhetsnyckeln, tar bort batteriet och väntar minst fem sekunder.



**VARNING:** Använd skyddshandskar när du utför underhåll på skärutrustningen. Kniven är mycket vass och skärskador uppstår lätt.

1. Kontrollera så att skärutrustningen inte är skadad eller har sprickor. Byt alltid ut skadad skärutrustning.
2. Titta på kniven för att se om den är skadad eller slö.

**Notera:** Kniven måste balanseras när den har slipats. Låt en serviceverkstad slipa, byta och balansera kniven. Om du träffar ett hinder som gör att produkten stannar ska du byta ut den skadade kniven. Låt serviceverkstaden bedöma om kniven kan slipas eller måste ersättas.

## Felsökning

### Batteri

Lysdiod på batteriet	Eventuella fel	Möjliga åtgärder
Den gröna lysdioden blinkar	Batterispänningen är låg	Ladda batteriet. Se <i>Ladda batteriet på sida 536</i> .
Lysdioden för fel blinkar	Batteriet är svagt	Ladda batteriet. Se <i>Batteri på sida 539</i> .
	Temperaturen i arbetsmiljön är för hög eller för låg	Använd batteriet vid temperaturer mellan $-10\text{ }^{\circ}\text{C}$ och $40\text{ }^{\circ}\text{C}$ .
	Överspänning	Kontrollera att nätspänningen stämmer med den som anges på produktens typskylt.  Ta ut batteriet ur batteriladdaren. Vänta fem sekunder och försök att ladda batteriet igen. Om problemet kvarstår kan du tala med en auktoriserad serviceverkstad.
Lysdioden för fel lyser	För stor batteriskillnad (1 V)	Tala med en godkänd serviceverkstad.

### Batteriladdare

Lysdiod på batteriladdaren	Eventuella fel	Möjliga åtgärder
Lysdioden för fel blinkar	Temperaturen i arbetsmiljön är för hög eller för låg	Använd batteriladdaren i temperaturer mellan $5\text{ }^{\circ}\text{C}$ och $40\text{ }^{\circ}\text{C}$ .
Lysdioden för fel lyser		Tala med en godkänd serviceverkstad

### Reglagepanel

Felkod (antal blinkningar)	Eventuella fel	Möjliga åtgärder
1	Transmissionsmotorn är för varm.	Låt produkten svalna. Se till att det inte finns gräs på transmissionen. Rengör transmissionskåpan om det behövs.

Felkod (antal blinkningar)	Eventuella fel	Möjliga åtgärder
5	Motorvarvtalet sjunker för mycket och motorn stängs av.	Rengör klippaggregatet och öka klipphöjden. Se <i>Ställa in klipphöjden på sida 536</i> . Om felet kvarstår kontaktar du en godkänd serviceverkstad.
8	Batteriet är svagt.	Ladda batteriet. Se <i>Ladda batteriet på sida 536</i> .
9	Batterifel eller ingen signal från batteriet.	Sätt batteriet i produkten på rätt sätt och undersök batterianslutningen. Om lysdioden för fel på batteriet blinkar, se <i>Batteri på sida 536</i> .
10	Motorstyrningen är för varm.	Stäng av motorn och vänta tills den har svalnat.
Övriga fel	Om det uppstår något annat fel tar du bort säkerhetsnyckeln, tar bort batteriet och kontaktar en godkänd serviceverkstad.	

## Transport, förvaring och kassering

### Introduktion



**WARNING:** För att förhindra oavsiktlig start vid transport drar du upp säkerhetsnyckeln, tar bort batteriet och väntar minst fem sekunder.

### Ställa in produkten i transportläge (LC 551iV)

- Lossa de nedre vreden.
- Flytta vreden till den nedre delen av spåren på produktens vänstra och högra sida. (Fig. 31)
- Vik handtaget framåt. (Fig. 68)
- Ta bort gräsupsamlaren.

### Transport

- Kraven i lagstiftningen för farligt gods gäller för de medföljande litiumjonbatterierna.
- För kommersiella transporter måste särskilda krav på förpackning och etiketter följas.
- Se till att du följer kraven gällande farligt material när du förbereder produkten för transport. Lokala föreskrifter kan gälla.
- Ta alltid loss alltid batteriet vid transport.
- Sätt tejp på batterikontaktarna och se till att batteriet inte kan röra sig under transport.
- Sätt fast produkten under transport.

### Förvaring

- Ta alltid ut batteriet vid förvaring.
- Förhindra olyckor genom att se till att batteriet inte är kopplat till produkten vid förvaring.

- Förvara batteriladdaren på en sluten och torr plats.
- Förvara batteriet och batteriladdaren på en torr plats där det inte finns någon fukt eller frost.
- Koppla ur batteriet från batteriladdaren vid förvaring.
- Förvara inte batteriet där statisk elektricitet kan uppkomma. Förvara inte batteriet i en metallåda.
- Förvara batteriet i temperaturer mellan 5 °C och 25 °C, och inte i direkt solljus.
- Förvara batteriladdaren i temperaturer mellan 5 °C och 45 °C, och inte i direkt solljus.
- Se till att batteriet är 30–50 % laddat innan du förvarar det under längre perioder.
- Förvara produkten, batteriet och batteriladdaren i ett låst utrymme utom räckhåll för barn och personer som inte är godkända.
- Rengör produkten och gör en fullständig service innan du ska förvara produkten under en längre tid.

### Kassering

Symbolen på produkten eller dess förpackning indikerar att denna produkt inte får hanteras som hushållsavfall. Istället ska den överlämnas till lämplig återvinningsstation för återvinning av elektrisk och elektronisk utrustning.

Genom att se till att denna produkt omhändertas ordentligt kan du hjälpa till att motverka potentiella negativa konsekvenser på miljö och människor, vilka annars kan orsakas genom oriktig avfallshantering av denna produkt. För mer detaljerad information om återvinning av denna produkt, kontakta din kommun, din hushållsavfallsservice eller affären där du köpte produkten.

(Fig. 69)



## Tekniska data

### Tekniska data

	LB 548i	LC 551iV
<b>Klippmotor</b>		
Motortyp	BLDC (borstlös) 36 V	BLDC (borstlös) 36 V
Motorvarvtal – SavE, varv/min*	2 600	2 600
Motorvarvtal – nominellt, varv/min*	3 000	3 000
Motorvarvtal – hög belastning, varv/min	3 300	3 300
Motoreffekt – max. kW	1,8	1,8
Motoreffekt – nominell, kW	1,5	1,5
<b>Drivmotor</b>		
Motoreffekt – nominell, kW	Ej tillämpligt	0,3
Självgående hastighet, km/h	Ej tillämpligt	3,0–5,0
Nivåer för varvtalsreglering	Ej tillämpligt	4
<b>Vikt</b>		
Vikt utan batteri, kg	31	41
<b>Batteri</b>		
Batterityp	Husqvarna Battery-serien	Husqvarna Battery-serien
<b>Batteritid</b>		
Batteritid, min. (fri drift) med SavE aktiverat, med ett 5,2 Ah-batteri från Husqvarna (Bli200).	40	30
Batteritid, min. (fri drift) med standardläge aktiverat, med ett 5,2 Ah-batteri från Husqvarna (Bli200).	30	20
<b>Bulleremissioner</b> <sup>76</sup>		
Ljudeffektnivå, uppmätt dB(A)	93	97
Ljudeffektnivå, garanterad L <sub>WA</sub> dB(A)	93	97
<b>Ljudnivåer</b> <sup>77</sup>		
Ljudtrycksnivå vid användarens öra, dB(A)	80	84
<b>Vibrationsnivåer</b> <sup>78</sup>		
Handtag, m/s <sup>2</sup>	0,3	0,3
<b>Skärutrustning</b>		
Klipphöjd, mm	20–75	20–75
Klippbredd, cm	48	51

<sup>76</sup> Emission av buller till omgivningen uppmätt som ljudeffekt (L<sub>WA</sub>) enligt EG-direktiv 2000/14/EG.

<sup>77</sup> Redovisade data för ljudtrycksnivå har ett typiskt spridningsmått (standardavvikelse) på 1,2 dB(A).

<sup>78</sup> Rapporterade data för vibrationsnivå har en typisk statistisk spridning (standardavvikelse) på 0,2 m/s<sup>2</sup>. Vibrationsstandard SS-EN 60335-2-77:2017 kapitel 20.105

	<b>LB 548i</b>	<b>LC 551iV</b>
Standardkniv	Mulchingkniv: 597466510	Uppsamlingskniv: 597466310
Knivtillbehör	Ej tillämpligt	Mulchingkniv: 597466410
Gräsuppsamlarens kapacitet, l	Ej tillämpligt	65

\*Varv per minut

Godkända batterier	Typ	Batterikapacitet, Ah	Spänning, V	Vikt, lb/kg
BLi20	Litiumjonbatteri	4,0	36	2,6/1,2
BLi200	Litiumjonbatteri	5,2	36	2,8/1,3
BLi300	Litiumjonbatteri	9,4	36	4,1/1,9
BLi550X	Litiumjonbatteri	15,6	36	12,4/5,6
BLi950X	Litiumjonbatteri	31,1	36	15,4/7,0

Laddare som är godkända för de angivna batterierna, BLi	Inspänning, V	Frekvens, Hz	Effekt, W
QC80	100–240	50–60	80
QC80F	12	0	80
QC330	100–240	50–60	330
QC500	100–240	50–60	500

---

# EG-försäkran om överensstämmelse

---

## EG-försäkran om överensstämmelse

**Husqvarna AB**, SE-561 82 Huskvarna, Sverige, tel:  
+46-36-146500, försäkrar härmed att **gräsklipparen**  
**Husqvarna LB 548i, LC 551iV** från år 2019 och framåt  
uppfyller kraven i RÅDETS DIREKTIV:

- av den 8 juni 2011 angående "begränsning av användning av vissa farliga ämnen" **2011/65/EU**
- av den 17 maj 2006 "angående maskiner" **2006/42/EG**
- av den 26 februari 2014 "angående elektromagnetisk kompatibilitet" **2014/30/EU**
- av den 8 maj 2000 "angående emission av buller i miljön" **2000/14/EG**

Information om bulleremissioner finns i avsnittet  
Tekniska data.

Följande standarder har tillämpats:

**IEC 60335-1:2010, IEC 60335-2-77:2002, EN**  
**60335-1:2012, EN 60335-2-77:2010 EN/IEC**  
**62233:2008 EN 61000-6-3:2005 EN 61000-6-1:2005**

Om inte annat anges är ovan angivna standarder de  
senast offentliggjorda versionerna.

Anmält organ: **0404, RISE SMP Svensk Maskinprovning**  
**AB, Box 7035, SE-750 07 Uppsala** har utfört bedömning  
av överensstämmelse enligt bilaga VI till direktiv  
2000/14/EG och har skapat ett certifikat med  
nummer:01/901/324 (LB 548i), 01/901/323 (LC 551iV)

Huskvarna, 2020-01-20



Claes Losdal, utvecklingschef/trädgårdsprodukter  
(auktoriserad representant för Husqvarna AB samt  
ansvarig för tekniskt underlag)

## İçindekiler

Giriş.....	544	Sorun giderme.....	558
Güvenlik.....	546	Taşıma, depolama ve atma.....	559
Montaj.....	553	Teknik veriler.....	560
Kullanım.....	554	AT Uyumluluk Bildirimi.....	562
Bakım.....	556		

## Giriş

### Ürün açıklaması

Ürün, yaya kumandalı bir döner çim biçme makinesidir. LB 548i modelinde, çimleri keserek gübre haline getiren BioClip kullanılır.

LC 551iV modeli, çimleri çim toplama sepetinde toplar. Çimin arkadan boşaltımı için çim toplama sepetini

### Ürüne genel bakış

(Şek. 1)

1. Kontrol paneli
2. Motor fren kolu
3. Başlatma engelleyici
4. Çim toplama sepeti (LC 551iV)
5. Arka kapak (LC 551iV)
6. Güvenlik anahtarı
7. Tutma yeri ayar topuzu (LC 551iV)
8. Tutma yeri ayar kolu (LB 548i)
9. Akü kapağı
10. Kesme yüksekliği kontrolü (LC 551iV)
11. AÇMA/KAPAMA düğmesi
12. SavE düğmesi
13. SavE göstergesi
14. Akü göstergesi
15. Hız seviyesi göstergesi
16. Hız azaltma düğmesi
17. Hız artırma düğmesi
18. Hata LED'i
19. Kesme kapağı
20. Hava girişleri
21. Nominal değerler plakası
22. Tahrik kolu (LC 551iV)
23. Akü şarj cihazı (Aksesuar)
24. Akü (Aksesuar)
25. Çoklu akü (Aksesuar)
26. Adaptör plakası (Aksesuar)
27. Çoklu akü adaptörü (Aksesuar)
28. Kullanım kılavuzu

çıkarın. Çimi gübre haline getirmek için bir malç kiti (aksesuar) takın.

### Kullanım amacı

Ürünü özel bahçelerde çim kesmek için kullanın. Ürünü başka işler için kullanmayın.

### Ürün üzerindeki semboller

(Şek. 2)

**UYARI:** Bu ürün, tehlikeli olabilir ve operatör ya da başkaları açısından ciddi yaralanmalara veya ölüme neden olabilir. Dikkatli olun ve ürünü doğru kullanın.

(Şek. 3)

Bu ürünü kullanmadan önce kullanım kılavuzunu dikkatlice okuyun ve talimatları anladığınızdan emin olun.

(Şek. 4)

İnsanları ve hayvanları çalışma alanından güvenli bir uzaklıkta tutun.

(Şek. 5)

Atılan nesnelere ve seken cisimlere dikkat edin.

- (Şek. 6) Uyarı: El ve ayaklarınızı döner bıçaktan uzak tutun.
- (Şek. 7) Uyarı: El ve ayaklarınızı döner parçalardan uzak tutun.
- (Şek. 8) Onarım veya bakım gerçekleştirmeden önce güvenlik anahtarını sökün.
- (Şek. 9) **Çevreyle ilgili işaret.** Ürün ya da ürünün ambalajı evsel atık değildir. Ürünü elektrikli ve elektronik ekipmanlara özel onaylı bir çöp atma merkezinde geri dönüştürün.
- (Şek. 10) Ürün, geçerli AT direktiflerine uygundur.
- (Şek. 11) Ürün, geçerli Avrasya Gümrük Birliği direktiflerine uygundur.
- (Şek. 12) Ürün, geçerli UkrSEPRO direktiflerine uygundur.
- (Şek. 13) Ürün, geçerli RCM direktiflerine uygundur. Sadece AU/NZ için geçerlidir
- (Şek. 14) Çevreye gürültü yayma düzeyi, yürürlükteki AB Direktiflerine uygundur. Ürünün gürültü

emisyonu *Teknik veriler sayfa: 560* ve etiket üzerinde belirtilmiştir.

## IPX4 Su sıçramasına karşı korumalıdır.

## IPX4

- (Şek. 19) **Çalıştırma prosedürü:** AÇMA/KAPAMA düğmesine basın, başlatma engelleyciyi gevşetin, motor fren kolunu aşağı bastırın.
- (Şek. 15) Durdurmak için motor fren kolunu serbest bırakın.
- (Şek. 16) Yavaş
- (Şek. 17) Hızlı
- (Şek. 18) Taranabilir kod

**Not:** Ürünün üzerindeki diğer semboller/etiketler, bazı pazarların sertifikalandırma gereklilikleri ile ilgilidir.

## Ürün üzerindeki etiket

(Şek. 20)

El ve ayaklarınızı döner bıçaklardan uzak tutun.

## Ürün sorumluluğu

Ürün sorumluluğu yasalarında belirtildiği üzere;

- ürünün hatalı bir şekilde onarılması,
- ürünün, üretici tarafından onaylanmayan veya üreticiden alınmayan parçalarla tamir edilmesi,
- üründe, üreticiden alınmayan veya üretici tarafından onaylanmayan bir aksesuar bulunması,
- ve ürünün, onaylı bir servis merkezinde veya yetkili bir kurum tarafından tamir edilmemesi durumunda oluşabilecek hasarlardan sorumlu değildir.

### Güvenlik tanımları

Kılavuzdaki önemli kısımları vurgulamak için uyarılar ve notlar kullanılmıştır.



**UYARI:** Kılavuzdaki talimatlara uyulmadığı takdirde operatör veya çevredeki kişiler için ciddi yaralanma veya ölüm tehlikesi varsa kullanılır.



**DİKKAT:** Kılavuzdaki talimatlara uyulmadığı takdirde ürünün, diğer malzemelerin veya çevrenin zarar görme riski olduğunda kullanılır.

**Not:** Belirli bir durumda bilgi verilmesi gerektiğinde kullanılır.

### Genel güvenlik talimatları



**UYARI:** Ürünü kullanmadan önce aşağıdaki uyarı talimatlarını okuyun.

- Bu ürün yanlış kullanıldığında veya dikkatli olmazsanız tehlikelidir. Güvenlik talimatlarına uyulmaması

yaralanmalara veya ölüme yol açabilir.

- Bu ürün, çalışırken elektromanyetik bir alan oluşturur. Bu alan, bazı koşullarda aktif veya pasif tıbbi implantlarda girişime neden edebilir. Ciddi veya ölümcül yaralanma riskini azaltmak için tıbbi implantı olan kişilerin, bu ürünü kullanmadan önce doktorlarına ve tıbbi implant üreticilerine danışmalarını öneririz.
- Her zaman dikkatli olun ve sağduyunuzu kullanın. Özel bir durumda aracı nasıl kullanacağınızdan emin değilseniz durun ve devam etmeden önce Husqvarna yetkili satıcınızla görüşün.
- Diğer insanları veya bu insanlara ait mülkleri içeren kazalardan operatörün sorumlu tutulacağını unutmayın.
- Ürünü temiz tutun. İşaretleri ve etiketleri net bir şekilde okuyabildiğinizden emin olun.
- Çocukların veya bu kullanma talimatlarını bilmeyen kişilerin cihazı kullanmasına asla izin vermeyin. Yerel yönetmeliklerde operatör

yaşına dair bir sınırlama olabilir

- Fiziksel veya zihinsel kapasitesi düşük olan bir kişi ürünü kullanırken bu kişiyi daima gözetim altında tutun. Sorumluluk sahibi bir yetişkin her zaman orada olmalıdır.
- Ürünü yorgun, hasta veya alkol ya da ilaç etkisi altındayken kullanmayın. Bu durum görüş, dikkat, koordinasyon ve doğru bir şekilde düşünmenizi olumsuz yönde etkiler.
- Arızalıysa ürünü kullanmayın.
- Başkaları tarafından değiştirilmiş olma olasılığı varsa bu ürünü değiştirmeyin veya kullanmayın.

## Çalışma alanı güvenliği



**UYARI:** Ürünü kullanmadan önce aşağıdaki uyarı talimatlarını okuyun.

- Ürünü kullanmadan önce çalışma alanındaki dal, çalı çırpı ve taş gibi nesnelere alın.
- Kesme donanımına çarpan nesnelere fırlatılarak kişi ve nesnelere zarar görmesine neden olabilir. Etraftaki insanları ve hayvanları

üründen güvenli bir uzaklıkta tutun.

- Ürünü sis, yağmur, kuvvetli rüzgar, şiddetli soğuk ve yıldırım düşmesi riski gibi olumsuz hava koşullarında hiçbir zaman kullanmayın. Ürünü olumsuz hava koşullarında veya nemli ya da ıslak yerlerde kullanmak yorucudur. Kötü hava, kaygan yüzeyler gibi tehlikeli koşullara neden olabilir.
- Ürünün güvenli bir şekilde çalışmasını önleyebilecek kişi, nesne ve durumlara dikkat edin.
- Kök, taş, çalı çırpı, çukur, hendek gibi engellere dikkat edin. Uzun çim nesnelere saklayabilir.
- Eğimli yerlerde çim kesmek tehlikeli olabilir. Aşırı dik eğimlerde çim biçmeyin. Ürünü 15°'den daha eğimli zeminlerde kullanmayın
- Yokuşta yön değiştirirken çok dikkatli olun. Yokuşlarda ürünü yatay olarak kullanın. Yukarı ve aşağı hareket ettirmeyin.
- Gizli köşelere ve açık görüşü engelleyen nesnelere yanına giderken dikkatli olun.

## Çalışma güvenliği



**UYARI:** Ürünü kullanmadan önce aşağıdaki uyarı talimatlarını okuyun.

- Bu ürünü yalnızca çimenlik alanlarda çim kesmek için kullanın. Ürünün başka işler için kullanılması yasaktır.
- Kişisel koruyucu ekipmanlar kullanın. Bkz. *Kişisel koruyucu ekipman sayfa: 549.*
- Acil bir durumda motoru hızlı bir şekilde nasıl kapatacağınızı öğrenin.
- Ürünü yağmurda veya ıslak koşullarda çalıştırmayın. Ürünün içine su girmesi elektrik çarpması riski artar.
- Bıçağı ve tüm kapakları doğru bir şekilde takmadan ürünü çalıştırmayın. Yanlış bir şekilde takılan bıçak gevşeyerek yaralanmanıza neden olabilir.
- Bıçağın taş veya kök gibi nesnelere çarpmamasına dikkat edin. Bu, bıçağa zarar verebilir ve motor milini bükebilir. Bükülmüş aks, ağır titreşime ve çok yüksek bir bıçak gevşemesi riskine neden olabilir.
- Bıçak bir cisme çarpar veya titreşim oluşursa ürünü hemen durdurun. Motoru durdurun, güvenlik anahtarını yukarı çekin ve aküyü çıkarın. Üründe hasar olup olmadığını kontrol edin. Hasarları onarın veya yetkili bir servis noktasının onarım yapmasını sağlayın.
- Motor çalıştırıldığında motor fren kolunu asla sürekli olarak kola takmayın.
- Ürünü sabit ve düz bir yüzeye koyup çalıştırın. Bıçağın yere veya diğer cisimlere çarpmadığından emin olun.
- Ürünü çalıştırırken her zaman arkasında durun.
- Ürünü kullanırken tüm tekerleklerin yere basmasını sağlayın ve 2 elinizi kolun üzerinde tutun. Ellerinizi ve ayaklarınızı döner bıçaklardan uzakta tutun.
- Motor çalışırken ürünü yatırmayın.
- Ürünü arkaya doğru çekerken dikkatli olun.
- Motor çalışırken ürünü hiçbir zaman yukarı kaldırmayın. Ürünü kaldırmanız gerekiyorsa öncelikle motoru durdurun, güvenlik anahtarını yukarı çekin ve aküyü çıkarın.



- Ürünü kullanırken arkaya doğru yürümeyin.
- Çakıl, taş ve asfalt gibi malzemelerden yapılmış, çim olmayan alanlardan geçerken motoru durdurun.
- Motor çalışırken ürünle birlikte koşmayın. Ürünü kullanırken her zaman yürüyün.
- Kesme yüksekliğini değiştirmeden önce motoru durdurun. Motor çalışırken asla ayarlama yapmayın.
- Motor çalışırken ürünün görüş alanından çıkmasına asla izin vermeyin. Motoru durdurun ve kesme donanımının dönmediğinden emin olun.

Kullanım için güvenlik talimatları

## Kişisel koruyucu ekipman



**UYARI:** Ürünü kullanmadan önce aşağıdaki uyarı talimatlarını okuyun.

- Kişisel koruyucu ekipmanlar yaralanma riskini tamamen engelleyemez ancak bir kaza durumunda yaralanmanın derecesini azaltır. Bayinizin doğru ekipmanı seçmenize yardımcı olmasını sağlayın.
- Ağır hizmet tipi kaymayan botlar veya ayakkabılar kullanın. Açık ayakkabılar

giymeyin veya çıplak ayakla yürümeyin.

- Kalın, uzun pantolonlar giyin.
- Kesme donanımını takma, kontrol etme veya temizleme gibi gerekli durumlarda koruyucu eldivenler kullanın.

## Ürünün üzerindeki güvenlik aletleri



**UYARI:** Ürünü kullanmadan önce aşağıdaki uyarı talimatlarını okuyun.

- Güvenlik araçları arızalı olan bir ürünü kullanmayın.
- Güvenlik araçlarını düzenli olarak kontrol edin. Güvenlik araçları arızalıysa Husqvarna servis noktanızla görüşün.

## Kesme kapağını kontrol etme

Kesme kapağı, üründeki titreşimleri ve bıçakla yaralanma riskini azaltır.

- Çatlak gibi hasarlar olmadığından emin olmak için kesme kapağını inceleyin.

## Güvenlik anahtarı

Güvenlik anahtarı, akü kapağının altındadır. Güvenlik anahtarı, motora güç sağlayan aküye bağlanır.

## Güvenlik anahtarını kontrol etme

Güvenlik anahtarı, motora güç sağlayan aküye bağlıdır.

- Motoru çalıştırın ve durdurun. Güvenlik anahtarı doğru çalışıyorsa motor, yalnızca anahtar güvenlik kilidinin içindeyse çalışır.

## Motor fren kolu

Motor fren kolu motoru durdurur. Motor fren kolu serbest bırakıldığında motor durur.

Motor frenini kontrol etmek için motoru çalıştırıp motor fren kolunu serbest bırakın. Motor 3 saniye içinde durmazsa motor frenini onaylı bir Husqvarna servis noktasına ayarlatın.

(Şek. 21)

## Başlatma engelleyicinin kontrol edilmesi

Motorun çalışmasını engellediğinden emin olmak için başlatma engelleyiciyi kontrol edin.

1. Motor freni kolunu gidonun yönünde itin. Başlatma engelleyici hareketi durdurur.
2. Başlatma engelleyiciyi dışarı doğru itin. (Şek. 22)

3. Başlatma engelleyiciyi serbest bırakın ve başlangıç konumuna geri döndüğünden emin olun.

## Akü güvenliği



**UYARI:** Ürünü kullanmadan önce aşağıdaki uyarı talimatlarını okuyun.

- Yalnızca ilgili Husqvarna ürünleri için güç kaynağı olarak Husqvarna şarj edilebilir akülerini kullanın. Yaralanmayı önlemek için aküyü başka cihazların güç kaynağı olarak kullanmayın.
- Şarj edilebilir olmayan akü kullanmayın.
- Elektrik çarpması riski. Akü terminallerini anahtarlara, madeni paralara, vidalara veya diğer metallere bağlamayın. Bu, aküde kısa devreye neden olabilir.
- Akünün hava deliklerine herhangi bir nesne koymayın.
- Aküyü doğrudan güneş ışığından, ısı kaynaklarından veya açık alevden uzak tutun. Akü patlayabilir ve yanıklara ve/veya kimyasal yanıklara neden olabilir.
- Aküyü yağmurdan ve ıslak koşullardan uzak tutun.

- Aküyü mikrodalgalardan ve yüksek basınçtan uzak tutun.
- Aküyü parçalarına ayırmaya veya kırmaya çalışmayın.
- Aküde sızıntı varsa sıvının vücudunuza veya gözlerinize temas etmesine izin vermeyin. Sıvıya dokunduysanız etkilenen bölgeyi bolca suyla yıkayın ve tıbbi yardım alın.
- Aküyü -10°C ile 40°C arasındaki sıcaklıklarda kullanın.
- Aküyü veya akü şarj cihazını suyla temizlemeyin. Bkz. *Aküyü ve şarj cihazını temizlemek için sayfada: 557.*
- Hatalı veya hasarlı aküleri kullanmayın.
- Aküleri çivi, madeni para, mücevher gibi metal nesnelere uzak bir yerde saklayın.

## Akü şarj cihazı güvenliği



**UYARI:** Ürünü kullanmadan önce aşağıdaki uyarı talimatlarını okuyun.

- QC akü şarj cihazlarını yalnızca Husqvarna yedek akülerini şarj etmek için kullanın.
- Elektrik çarpması veya kısa devre riski. Şarj cihazının hava deliklerine herhangi bir nesne koymayın. Akü şarj cihazını parçalarına ayırmaya çalışmayın. Şarj cihazı terminallerini metal nesnelere bağlamayın. Onaylı bir elektrik prizi kullanın.
- Bu ürün, çalışırken elektromanyetik bir alan oluşturur. Bu alan, bazı koşullarda aktif veya pasif tıbbi implantlarda girişime neden edebilir. Ciddi veya ölümcül yaralanma riskini azaltmak için tıbbi implantı olan kişilerin, bu ürünü kullanmadan önce doktorlarına ve tıbbi implant üreticilerine danışmalarını öneririz.
- Akü şarj cihazının güç kablosunun hasarlı olmadığını ve üzerinde çatlaklar bulunmadığını düzenli olarak kontrol edin.
- Akü şarj cihazını güç kablosundan tutup kaldırmayın. Akü şarj cihazını elektrik prizinden çıkarmak için fişi çekin. Güç kablosunu çekmeyin.
- Güç kablosunu ve uzatma kablolarını sudan, yağdan ve keskin kenarlı cisimlerden uzak tutun. Kabloların kapılara, çitlere veya benzeri yerlere sıkışmadığından emin olun. Bu durum şarj cihazının

- elektrik yüklenmesine sebep olabilir.
- Akü şarj cihazını suyla temizlemeyin.
  - Akü şarj cihazı, gözetim altında tutuldukları ya da akü şarj cihazının güvenli şekilde kullanımına ilişkin talimatlar sağlandığı ve gerçekleştirilecek tehlikeler açıklandığı sürece 8 yaş ve üzeri çocuklar ve fiziksel, duyuusal veya zihinsel yetenekleri sınırlı olan ya da yetersiz deneyim ve bilgiye sahip kişiler tarafından kullanılabilir. Çocuklar akü şarj cihazı ile oynamamalıdır. Temizlik ve kullanıcı bakım işlemleri gözetim olmadan çocuklar tarafından gerçekleştirilmemelidir.
  - Şarj edilemeyen aküleri akü şarj cihazında şarj etmeyin.
  - Akü şarj cihazını, yanıcı malzemelerin veya korozyona neden olabilecek malzemelerin yakınında kullanmayın. Akü şarj cihazının üzerini kapatmayın. Duman veya ateş çıkması durumunda akü şarj cihazının fişini çekip çıkarın.
  - Hatalı veya hasarlı akü şarj cihazlarını kullanmayın.

- Aküyü yalnızca kapalı alanda, iyi hava akışı olan ve güneş ışığından uzak bir odada şarj edin. Aküyü ıslak koşullarda şarj etmeyin.

## Bakım için güvenlik talimatları



**UYARI:** Ürünü kullanmadan önce aşağıdaki uyarı talimatlarını okuyun.

- Ürün üzerinde bakım yapmadan önce güvenlik anahtarını çıkarın.
- Ürünün ömrünü uzatmak ve kaza riskini azaltmak için bakım işini doğru şekilde yapın. Onaylı bir servis noktasında profesyonel onarım yaptırın. Daha fazla bilgi için size en yakın servis noktası ile görüşün.
- Yalnızca bu kullanım kılavuzunda belirtilen bakım çalışmasını yapın.
- Kesme donanımını kullanırken ağır hizmet tipi eldiven giyin. Bıçak çok keskindir ve kolaylıkla kesiklere yol açabilir.
- En iyi ve en güvenli performans için kesme kenarlarının keskin ve temiz olmasına özen gösterin.
- Servis noktanızın düzenli olarak ürünü kontrol etmesini

- ve gerekli ayarları ve onarımları yapmasını sağlayın.
- Hasarlı, aşınmış veya bozuk parçaları değiştirin.
  - Aksesuar değiştirmeye ilgili talimatlara uyun. Yalnızca üreticiden gelen aksesuarları kullanın.

- Çalışmadığı zaman ürünü, aküyü ve akü şarj cihazını ayrı olarak kuru, kapalı ve kilitli bir alanda saklayın. Çocukların ve onaylı olmayan kişilerin ürüne, aküye veya akü şarj cihazına erişemediklerinden emin olun.

## Montaj

### Giriş



**UYARI:** Ürünü monte etmeden önce güvenlik bölümünü okuyup anlayın.

### Çoklu aküyü (aksesuar) takma ve çıkarma

1. 4 lastik kapağı ve 4 vidayı motor kapağından çıkarın. (Şek. 23)
2. Adaptör plakasını motor kapağının üzerine yerleştirin.
3. Adaptör plakasını verilen 4 vidayla 5-6 Nm torkla sıkarak takın. (Şek. 24)
4. Akü kapağını açın.
5. Yuva 1'deki aküyü çıkarın. (Şek. 25)
6. Yalıtım stoperini çıkarın. (Şek. 26)
7. Bir tık sesi duyuncaya kadar akü adaptörünü akü bölmesinin içine doğru itin. (Şek. 27)
8. Akü adaptörünün kablosunu yalıtım stoperi deliğinden geçirin. Kabloyu klips ile bağlayın. (Şek. 28)
9. Çoklu aküyü akü adaptörüne takın.
10. Çoklu aküyü akü adaptörüne bağlayın. (Şek. 29)
11. Akü adaptörü kablosunu 3 kumaş kayışla tutma yerine sabitleyin. (Şek. 30)
12. Çoklu aküyü çıkarırken adımları tersten takip edin.



**UYARI:** Kabloyu tutma yerine çok gevşek bir şekilde bağlamayın. Kablo, tutma yerinden çıkıp yaralanmaya neden olabilir.

### Tutma yerinin takılması (LC 551iV)

1. Alt düğmeleri gevşetin.
2. Düğmeleri ürünün sol ve sağ tarafındaki girintilerin altındaki ucuna getirin. (Şek. 31)
3. Kol yüksekliğini mevcut 2 konumdan birine ayarlayın.

4. Düğmeleri durana ve tık sesi duyulana kadar kol yönünde yukarı hareket ettirin. (Şek. 32)
5. Düğmeleri tamamen sıkın.

### Tutma yerinin takılması (LB 548i)

1. Tutma yeri somununu ve rondelayı üst tutma yerindeki plakadan çıkarın.
2. Üst tutma yerini alt tutma yerinin üzerine yerleştirin.



**DİKKAT:** Kabloların takılmadığından veya hasar görmediğinden emin olun.

3. Rondelayı ve tutma yeri ayar kolunu takın. (Şek. 33)
4. Ürünü duvar yakınında çalıştırdığınızda iyi bir çalıştırma konumu için tutma yerini yana çevirin. (Şek. 34)

### Çim toplama sepetinin takılması (LC 551iV)

1. Çim toplama sepeti çerçevesini, torbanın sert kısmı aşağı gelecek şekilde çim torbasına takın. Çerçevenin kolunu çim torbasının üst kısmında tutun. (Şek. 35)
2. Çim toplama sepeti çerçevesinin alt kısmını çim toplama sepetinin altındaki oluğa takın.
3. Çim torbasını, klipslerle çim toplama sepeti çerçevesine takın. (Şek. 36)
4. Arka kapağı kaldırın.
5. Çim toplama sepetini şasinin üst kenarına takın.
6. Çim toplama sepetinin alt kısmını çim boşaltma kanalına yerleştirin. (Şek. 37)

### Malç tapasını (LC 551iV aksesuarı) takma

1. Arka kapağı kaldırın ve çim toplama sepetini sökün.
2. Malç tapasını boşaltma kanalının içine yerleştirin. (Şek. 38)

3. Bıçağı, malç kitinde tedarik edilen malç bıçağıyla değiştirin. Bkz. *Bıçağı değiştirme sayfa: 557.*

## Kullanım

### Giriş



**UYARI:** Ürünü kullanmadan önce güvenlik bölümünü okuyup anlamalısınız.

### Husqvarna Connect

Husqvarna Connect, mobil cihazınız için ücretsiz bir uygulamadır. Husqvarna Connect uygulaması, Husqvarna ürününüz için ayrıntılı işlevler sunar:

- Ayrıntılı ürün bilgileri.
- Ürün parçaları ve servis hakkında bilgi ve yardım.

### Husqvarna Connect uygulamasını kullanmaya başlamak için

1. Husqvarna Connect uygulamasını mobil cihazınıza indirin.
2. Husqvarna Connect uygulamasında kaydolun.
3. Ürünü bağlamak ve kaydettirmek için Husqvarna Connect uygulamasındaki talimatları izleyin.

### Husqvarna Fleet Services™

Husqvarna Fleet Services™, ticari filo yöneticisine tüm ürünlere dair genel bakış sunan bulut tabanlı bir çözümdür. LC 551iV uygulamasında Husqvarna Fleet Services™ özelliklerinden yararlanabilirsiniz. Husqvarna Fleet Services™ hakkında daha fazla bilgi almak için bkz. [www.husqvarna.com](http://www.husqvarna.com).

### Sensörü (aksesuar) hazırlama

1. Sensör anahtarını kullanarak sensörün kapağını açın. (Şek. 39)
2. Sensörü çıkarın.
3. Aküyü sensöre bağlayın. Sensörün LED ışığı yanar. (Şek. 40)
4. Husqvarna Fleet Services™ uygulamasını indirin.
5. Husqvarna Fleet Services™ uygulamasında oturum açın.
6. Eşleştirme işlemi yapın. Bkz. *Uygulama ile ürün arasında eşleştirme işlemi yapma sayfa: 554*

### Uygulama ile ürün arasında eşleştirme işlemi yapma

1. Husqvarna Fleet Services™ uygulamasında oturum açın.
2. Uygulamada ürününüzü seçin.
3. Sensörü uygulamaya yüklemek için mobil cihazınızla sensörün arkasındaki kodu tarayın.

**Not:** Uygulama ile ürün arasında bir kez eşleştirme işlemi yapılması yeterlidir.

### Sensörü takma

1. Sensörün Husqvarna Fleet Services™ uygulamasına bağlandığından emin olun. Bkz. *Uygulama ile ürün arasında eşleştirme işlemi yapma sayfa: 554.*

2. Muhafaza yuvasındaki işareti yerlerden 2 delik açın. (Şek. 41)

**Not:** Deliklerin sensörle birlikte verilen perçinlerle aynı boyutta olduğundan emin olun.

3. Sensör yuvası üzerindeki dış delikleri çıkarmak için pense kullanın. (Şek. 42)
4. Sensör yuvasındaki işaretli yerlerden 2 delik açın. (Şek. 43)
5. Sensör yuvasını muhafaza yuvasıyla hizalayın. (Şek. 44)
6. Sensör yuvasını perçinlerle takın.
7. Sensörü sensör yuvasına takın. Sensör üzerindeki beyaz işareti sensör yuvasındaki işaretle hizalayın. (Şek. 45)
8. Sensörün kapağını kapatın ve sensör anahtarıyla kilitleyin. Husqvarna "H" harfinin üst kısmının güvenlik anahtarından uzağa dönük olduğundan emin olun. (Şek. 46)

### Ürünü çalıştırma konumuna getirme (LC 551iV)

1. Tutma yerini dik konuma gelecek şekilde kaldırın. (Şek. 47)
2. Düğmeleri durana ve tık sesi duyulana kadar kol yönünde yukarı hareket ettirin. (Şek. 32)
3. Düğmeleri tamamen sıkın.

### Kesme yüksekliğini ayarlama

Kesme yüksekliği 6 seviyede ayarlanabilir.

1. Kesme yüksekliğini artırmak için kesme yüksekliği kontrolünü önce tekerlek yönüne, ardından geriye doğru itin.
2. Kesme yüksekliğini azaltmak için kesme yüksekliği kontrolünü önce tekerlek yönüne, ardından ileriye doğru itin. (Şek. 48)



**DİKKAT:** Kesme yüksekliğini çok alçakta belirlemeyin. Çimenlik alanın yüzeyi düz değilse bıçaklar yere çarpabilir.

## Akü



**UYARI:** Aküyü kullanmadan önce güvenlik bölümünü okuyup anlamalısınız. Akü ve akü şarj cihazına ait kullanım kılavuzunu da okuyup anlamalısınız.

### Akü durumu

Ekranda, kalan akü kapasitesi ve aküyle ilgili sorun olup olmadığı gösterilir. Akü kapasitesi, ürün kapatıldıktan veya akü gösterge düğmesine basıldıktan sonra 5 saniye süreyle gösterilir. Bir hata meydana geldiğinde akünün üzerindeki uyarı simgesi yanar. Bkz. *Akü sayfada: 558.*

(Şek. 49)

LED ışıklar	Akü durumu
Tüm LED'ler yanmaktadır	Tamamen dolu (%75-100)
LED 1, LED 2, LED 3 yanmıyorsa	Akü %50-%75 dolu
LED 1, LED 2 yanmıyorsa	Akü %25-%50 dolu
LED 1 yanmıyorsa	Akü %0-%25 doludur.
LED 1 yanıp sönüyor	Akü boştur. Aküyü şarj edin.

### Aküyü şarj etme

İlk kullanımdan önce aküyü şarj edin. Akü, müşteriye tedarik edildiğinde yalnızca %30 oranında doludur.

**Not:** Akü şarj cihazı, nominal değerler plakasında belirtilen voltaj ve frekansa bağlanmalıdır.

Akü sıcaklığı 50°C'nin üzerindeyse akü şarj olmaz. Akü şarj cihazı, şarj işlemine başlamadan önce akünün sıcaklığını düşürür.

1. Akü şarj cihazının güç kablosunun bir ucunu akü şarj cihazının soketine bağlayın.
2. Akü şarj cihazının güç kablosunun diğer ucunu topraklamalı bir elektrik prizine bağlayın. Akü şarj cihazındaki LED bir kez yeşil renkte yanıp söner. (Şek. 50)
3. Aküyü şarj cihazına yerleştirin. Akü, akü şarj cihazına doğru şekilde bağlandığında, şarj cihazı üzerindeki yeşil ışık yanar. (Şek. 51)
4. Akü üzerindeki tüm LED'ler yandığında akü tam olarak şarj olmuştur. Aküyü en fazla 24 saat boyunca şarj edin.
5. Akü şarj cihazını elektrik prizinden çıkarmak için güç kablosunu değil fişi çekin.
6. Aküyü şarj cihazından çıkarın.

## Akü şarj durumu

Bir Husqvarna Lityum iyon akü tüm şarj seviyelerinde şarj edilebilir veya kullanılabilir. Akü bundan zarar görmez. Tamamen şarj olmuş bir akü, şarj cihazının içinde kalırsa akünün şarjı azalmaz.

LED ekran	Şarj durumu
LED 1 yanıp sönüyor	%0-%25
LED 1 yanıyor, LED 2 yanıp sönüyor	%25-%50
LED 1, LED 2 yanıyor, LED 3 yanıp sönüyor	%50-%75
LED 1, LED 2, LED 3 yanıyor, LED 4 yanıp sönüyor	%75-%100
LED 1, LED 2, LED 3, LED 4 yanıyor	Tamamen dolu

### Çoklu aküyü şarj etme

**Not:** Aküyü ilk defa kullanacaksanız şarj edin. Yeni bir akünün şarjı %30 seviyesindedir.

1. Akünün kuru olduğundan emin olun.
2. Çoklu aküyü adaptöre bağlayın. (Şek. 52)
3. Adaptörü pil şarj cihazına yerleştirin.
4. Akü şarj cihazının üzerindeki yeşil şarj LED'inin yandığından emin olun. Bu, adaptör ve çoklu akünün doğru şekilde bağlandığı anlamına gelir. (Şek. 53)
5. Akü üzerindeki tüm LED'ler yandığında ve adaptör %100'ü gösterdiğinde akü tam olarak şarj olmuştur. (Şek. 54)

Adaptör, şarj durumunu %1'lik adımlarla gösterir. Şarj işleminin başında küçük sapmalar olabilir.

6. Akü şarj cihazının elektrik prizine bağlantisını kesmek için fişi çekin. Kabloyu çekmeyin.
7. Adaptörü akü şarj cihazından çıkarın.
8. Çoklu aküyü adaptörden çıkarın.

**Not:** Daha fazla bilgi için çoklu akü ve akü şarj cihazı kılavuzlarına başvurun.

## Ürünü çalıřtırma

1. Akü kapağını kaldırın.
2. Şarj olmuş bir aküyü, akü kapağının altındaki 1 numaralı akü yuvasına yerleştirin. Daha uzun süreli çalışma için şarj olmuş ikinci bir aküyü 2 numaralı akü yuvasına yerleştirin.
3. Güvenlik anahtarını güvenlik anahtarı tutucusundan çıkarın.
4. Güvenlik anahtarını güvenlik kilidine itin. (Şek. 55)

5. Ürünün arkasında durun.
6. Kontrol paneli üzerindeki AÇMA/KAPATMA düğmesine basın. Ekran açılır.
7. Başlatma engelleyiciyi gevşetin. (Şek. 22)
8. Motor freni kolunu gidonun yönünde itin. (Şek. 56)

## Tekerleklerde tahrikin kullanılması (LC 551iV)

- Tahriki başlatmak için tahrik kolunu gidonun yönünde çekin. (Şek. 57)
- Tahrik hızını 4 adımdan birine ayarlamak için kontrol panelindeki + ve - düğmelerine basın. (Şek. 58)
- Örneğin bir engele yaklaştığınızda, tahriki devre dışı bırakmak için tahrik kolunu serbest bırakın.

## SavE işlevinin kullanılması

Üründe, daha uzun süre çalışma sağlayan bir akü tasarruf işlevi (SavE) bulunur.

1. İşlevi başlatmak için SavE düğmesine (A) basın. Ekrandaki SavE simgesi (B) yanar.
2. İşlevi durdurmak için SavE düğmesine tekrar basın. Ekrandaki SavE simgesi (B) söner. (Şek. 59)

Zemin koşulları daha yüksek bir çıkış gerektirirse SavE işlevi otomatik olarak durur. Zemin koşulları uygun olduğunda SavE işlevi otomatik olarak tekrar çalışır.

## PowerBoost işlevi

Ürün uzun veya ıslak çim keserken motor otomatik olarak devri yükseltir. Motor, PowerBoost işlevi gerekmediğinde akü tasarrufu sağlamak için otomatik olarak standart moda geri döner.

## Ürünü durdurma

3 dakika boyunca çalıştırmazsanız ürün otomatik olarak durur.

1. Motoru durdurmak için motor fren kolunu serbest bırakın. (Şek. 21)
2. Kontrol paneli üzerindeki AÇMA/KAPATMA düğmesine basın. Ekrandaki tüm LED lambaları ve simgeler söner. (Şek. 60)
3. Güvenlik anahtarını güvenlik kilidinden çıkarın ve güvenlik anahtarı tutucusuna yerleştirin.

## İyi sonuç alma

- Her zaman keskin bıçak kullanın. Kör bıçak, düzensiz bir sonuç verir ve çimin kesme yüzeyi sarı olur. Ayrıca keskin bıçak kör bıçaktan daha az güç kullanır.
- Çim boyunun 1/3'sinden fazlasını kesmeyin. Önce kesme yüksekliği yüksek ayardayken kesmeye başlayın. Sonucu inceleyin ve kesme yüksekliğini uygun seviyeye indirin. Çimler çok uzunsa makineyi yavaş kullanın ve gerekirse 2 kere kesin.
- Her seferinde farklı yönlerde keserek çimenlik alanda çizgi oluşmasını önleyin.

## Çim toplama sepeti veya malç tapası takılı değilken çim kesme (LC 551iV)

1. Arka kapağı kaldırın ve çim toplama sepetini sökün.
2. Malç tapası ve malç bıçağı takılıysa bunları çıkarın.
3. Ürünü çalıştırmadan önce arka kapağı kapatın.

Çalışma sırasında kesilen çim arka kapağın alt kısmından boşaltılır.

## Bakım

### Giriş



**UYARI:** Bakım yapmadan önce güvenlik bölümünü okuyup anlamanız gerekir.

Ürüne uygulanacak tüm servis ve onarım işlemleri için özel eğitim gereklidir. Profesyonel onarım ve servis hizmetlerinin mevcut bulunduğunu garanti etmekteyiz.

Yetkili satıcınız servis noktası değilse kendisiyle görüşüp en yakınınızdaki servis noktası hakkında bilgi edinin.

### Bakım takvimi

Bakım aralıkları, ürünün günlük kullanımına göre hesaplanır. Ürün her gün kullanılmazsa aralıklar değişir.

\* işaretli bakım işlemleri için bkz. *Kullanım için güvenlik talimatları sayfa: 549.*

	Her kullanımda	Aylık olarak	Her mevsimde
Genel inceleme yapma	X		
Şanzıman kapaklarını temizleyin. Motorun üzerinde çim olmadığına emin olun	X		
Başlatma engelleyiciyi kontrol etme *	X		
Üründeki güvenlik araçlarının arızalı olmadığına emin olma *	X		
Çim toplama sepetinde yıpranma veya bozulma olup olmadığını kontrol edin	X		



	Her kulla- nımda	Aylık olarak	Her mev- simde
Kesme donanımını inceleme	X		
Kesme kapağını inceleme *	X		
Motor fren kolunu kontrol etme *	X		
AÇMA/KAPAMA düğmesinin doğru şekilde çalıştığından ve hatalı olmadığından emin olma	X		
Aküde hasar kontrolü yapma	X		
Akü şarjını kontrol etme	X		
Aküdeki serbest bırakma düğmelerinin doğru şekilde çalıştığından ve akünün ür- üne sabitlendiğinden emin olma	X		
Hava girişlerini temizleyin. Hava girişlerinde çim veya kir olmadığından emin olun	X		
Akü şarj cihazında hasar olup olmadığını kontrol edin ve cihazın doğru şekilde çalıştığından emin olun		X	
Akü ile ürün arasındaki bağlantıları kontrol etme. Akü ile akü şarj cihazı arasın- daki bağlantıyı da kontrol edin			X

## Genel denetim yapma

- Ürünün üzerindeki somun ve vidaların sıkı olduğundan emin olun.
- Üründeki kabloların hasar görebilecekleri bir konumda olmadığından emin olun.

## Bıçağı değiştirme

1. Bıçağı bir tahta parçasıyla kilitleyin. (Şek. 61)
2. Bıçak civatasını, yaylı rondelayı ve bıçağı çıkarın. (Şek. 62)
3. Bıçak desteğinde ve bıçak civatasında hasar olup olmadığını kontrol edin.
  - a) Bıçağı veya bıçak desteğini değiştirirseniz bıçak civatasını, yaylı rondelayı ve sürtünme rondelasını da değiştirin.
4. Bükülmediğinden emin olmak için motor milini inceleyin.
5. Yeni bıçağı taktığınızda, bıçağın bükülmüş uçlarının kesme kapağının yönünde olduğundan emin olun. (Şek. 63)
6. Sürtünme rondelasını ve bıçağı bıçak desteğine yerleştirin. (Şek. 64)
7. Bıçağın, motor milinin orta kısmıyla hizalandığından emin olun. (Şek. 65)
8. Bıçağı ahşap bir blokla kilitleyin. (Şek. 66)
9. Yaylı rondela takın ve civatayı 65-75 Nm'lik torkla sıkın. (Şek. 67)
10. Bıçağı elinizle çekerek döndürün ve serbestçe döndüğünden emin olun.



**UYARI:** Koruyucu eldivenler kullanın. Bıçak çok keskindir ve kolaylıkla kesiklere yol açabilir.

11. Bıçağı test etmek için ürünü çalıştırın. Bıçak doğru bir şekilde takılmadıysa üründe titreşim olur veya kesme işleminin sonucu başarısızdır.

## Ürünün temizlenmesi

- Plastik parçaları temiz ve kuru bir bezle temizleyin.
- Ürünü temizlemek için su kullanmayın. Aküye veya motora su girebilir ve üründe kısa devreye veya hasara neden olabilir.
- Ürünü temizlemek için yüksek basınçlı yıkayıcı kullanmayın.
- Motora doğrudan su tutmayın.
- Yaprak, çim ve kirleri gidermek için fırça kullanın.

## Aküyü ve şarj cihazını temizlemek için



**DIKKAT:** Aküyü veya akü şarj cihazını suyla temizlemeyin.

- Aküyü akü şarj cihazına yerleştirmeden önce akünün ve akü şarj cihazının temiz ve kuru olduğundan emin olun.
- Akü terminallerini basınçlı hava ile temizleyin veya yumuşak ve kuru bir bez ile silin.
- Akü ve akü şarj cihazının yüzeylerini yumuşak ve kuru bir bezle temizleyin.

## Kesme donanımını kontrol etme



**UYARI:** Yanlışlıkla çalıştırmayı önlemek için güvenlik anahtarını yukarı çekin, aküyü çıkarın ve en az 5 saniye bekleyin.



**UYARI:** Kesme donanımına bakım yaptığınızda koruyucu eldivenler kullanın. Bıçak çok keskindir ve kolaylıkla kesiklere yol açabilir.

1. Kesme donanımında hasar veya çatlak olup olmadığını inceleyin. Hasarlı bir kesme donanımını kesinlikle değiştirin.

2. Hasarlı veya kör olup olmadığını anlamak için bıçağa bakın.

**Not:** Bilindikten sonra bıçağı dengelemek gerekir. Bıçağın bir servis merkezinde bilenmesini, değiştirilmesini ve dengelenmesini sağlayın. Ürünün durmasına neden olan bir engele çarparsanız hasarlı bıçağı değiştirin. Bıçağın bilenip bilenmeyeceğini veya değiştirmek gerekip gerekmediğine servis merkezinin karar vermesini sağlayın.

## Sorun giderme

### Akü

Aküdeki LED	Olası arızalar	Olası prosedür
Yeşil LED yanıp sönüyor	Akü voltajı düşüktür	Aküyü şarj edin. Bkz. <i>Aküyü şarj etme sayfa: 555.</i>
Hata LED'i yanıp sönüyor	Akünün gücü zayıftır	Aküyü şarj edin. Bkz. <i>Akü sayfa: 558.</i>
	Çalışma ortamındaki sıcaklık çok yüksek veya çok düşüktür	Aküyü -10°C ile 40°C arasındaki sıcaklıklarda kullanın.
	Aşırı voltaj	Şebeke voltajının, ürünün nominal değerler plaka-sındakiyle aynı olduğundan emin olun. Aküyü şarj cihazından çıkarın. 5 saniye bekleyin ve aküyü şarj etmeyi tekrar deneyin. Sorun devam ederse yetkili bir servis noktasıyla görüşün.
Hata LED'i yanıyor	Hücre farkı çok fazla (1 V)	Onaylı bir servis noktasıyla görüşün.

### Akü şarj cihazı

Akü şarj cihazındaki LED	Olası arızalar	Olası prosedür
Hata LED'i yanıp sönüyor	Çalışma ortamındaki sıcaklık çok yüksek veya çok düşüktür	Akü şarj cihazını 5°C ile 40°C arasındaki sıcaklıklarda kullanın.
Hata LED'i yanıyor		Onaylı bir servis noktasıyla görüşün

### Kontrol paneli

Hata kodu (Yanıp sönme sayısı)	Olası arızalar	Olası prosedür
1	Şanzıman motoru çok sıcak.	Ürünün soğumasını bekleyin. Şanzımanın üzerinde çim olmadığından emin olun. Gerekirse şanzıman kapağını temizleyin.
5	Motor devri çok düşüyor ve motor duruyor.	Kesim tablasını temizleyin ve kesim yüksekliğini artırın. Bkz. <i>Kesme yüksekliğini ayarlama sayfa: 554.</i> Hata devam ederse yetkili servis noktanızla görüşün.

Hata kodu (Yanıp sönmeye sayısı)	Olası arızalar	Olası prosedür
8	Akünün gücü zayıftır.	Aküyü şarj edin. Bkz. <i>Aküyü şarj etme sayfa- da: 555.</i>
9	Akü hatası oluştu veya akü sinyali yok.	Aküyü ürüne doğru şekilde yerleştirin ve akü konektörünü kontrol edin. Aküdeki hata LED'i yanıp sönerse bkz. <i>Akü sayfa da: 555.</i>
10	Motor denetleyicisi çok sıcak.	Motoru durdurun ve soğuyana kadar bekleyin.
Diğer hatalar	Başka hatalar oluşursa güvenlik anahtarını ve aküyü çıkarın ve onaylı bir servis noktasıyla görüşün.	

## Taşıma, depolama ve atma

### Giriş



**UYARI:** Taşıma sırasında yanlışlıkla çalıştırmayı önlemek için güvenlik anahtarını yukarı çekin, aküyü çıkarın ve en az 5 saniye bekleyin.

### Ürünü nakliye konumuna getirme (LC 551iV)

- Alt düğmeleri gevşetin.
- Düğmeleri ürünün sol ve sağ tarafındaki girintilerin alttaki ucuna getirin. (Şek. 31)
- Kolu öne doğru katlayın. (Şek. 68)
- Çim toplama sepetini çıkarın.

### Taşıma

- Ürün içindeki Lityum iyon aküler Tehlikeli Maddeler Kanunu gerekliliklerine tabidir.
- Ticari amaçlı taşımalarda, paketteki ve etiketlerdeki özel gerekliliklere uyulmalıdır.
- Ürünü taşıma için hazırlarken tehlikeli malzeme yönetmeliklerine uyduğunuzdan emin olun. Yerel yönetmelikler uygulanabilir.
- Ürünü taşırken aküyü kesinlikle çıkarın.
- Akü konektörlerine bant yapıştırın ve taşıma sırasında akünün hareket edemeyeceğinden emin olun.
- Taşıma sırasında ürünü bağlayın.

### Saklama

- Ürünü depolarken aküyü kesinlikle çıkarın.

- Kazaları önlemek için depolama sırasında akünün ürüne bağlı olmadığından emin olun.
- Akü şarj cihazını kapalı ve kuru bir alanda tutun.
- Aküyü ve akü şarj cihazını, nem veya don olmayan kuru bir alanda tutun.
- Depolama sırasında aküyü şarj cihazından ayırın.
- Aküyü, statik elektrik oluşabilecek yerlerde tutmayın. Aküyü metal bir kutuda tutmayın.
- Aküyü, sıcaklığın 5°C ile 25°C arasında olduğu ve güneş ışığı almayan yerlerde tutun.
- Akü şarj cihazını, sıcaklığın 5°C ile 45°C arasında olduğu ve güneş ışığı almayan yerlerde tutun.
- Uzun süreli depolamadan önce akünün %30 - %50 dolu olduğundan emin olun.
- Ürünü, aküyü ve akü şarj cihazını, çocukların ve onaylı olmayan kişilerin erişemeyeceği kilitli bir alanda tutun.
- Uzun süreli depolamadan önce ürünü temizleyin ve ürüne eksiksiz bir bakım yaptırın.

### Atma

Ürün veya ürün ambalajı üzerinde bulunan semboller, bu ürünün evsel atık olarak değerlendirilemeyeceğini belirtir. Elektrikli ve elektronik ekipman, kurtarma için uygun bir geri dönüşüm istasyonuna gönderilmelidir.

Bu ürüne doğru önemin verilmesini sağlayarak, çevreye ve insanlara olabilecek potansiyel negatif etkisini önlemeye yardımcı olabilirsiniz, aksi takdirde bu ürünün yanlış atık yönetimi durumunda negatif etkiler meydana gelebilir. Bu ürünün geri dönüşümü hakkında daha ayrıntılı bilgi için belediyenize, mahallenizdeki atık hizmetine veya ürünü satın aldığınız mağazaya danışın.

(Şek. 69)

## Teknik veriler

### Teknik veriler

	LB 548i	LC 551iV
<b>Kesme motoru</b>		
Motor tipi	BLDC (fırçasız) 36V	BLDC (fırçasız) 36V
Motor devri – SavE, dev/dak*	2600	2600
Motor devri – Nominal, dev/dak*	3000	3000
Motor devri – Yüksek yük, dev/dak*	3300	3300
Motor çıkışı – maks. kW	1,8	1,8
Motor çıkışı – Nominal, kW	1,5	1,5
<b>Tahrik motoru</b>		
Motor çıkışı – Nominal, kW	Geçerli değil	0,3
Kendi kendine yürüme hızı, km/sa.	Geçerli değil	3,0-5,0
Devir ayar seviyeleri	Geçerli değil	4
<b>Ağırlık</b>		
Aküsüz ağırlık, kg	31	41
<b>Akü</b>		
Akü tipi	Husqvarna Akü Serisi	Husqvarna Akü Serisi
<b>Akü çalışma süresi</b>		
Bir adet Husqvarna 5,2 Ah akü (Bli200) ile birlikte SavE etkin durumdayken dakika cinsinden akü çalışma süresi (serbest çalışma).	40	30
Bir adet Husqvarna 5,2 Ah akü (Bli200) ile birlikte standart mod etkin durumdayken dakika cinsinden akü çalışma süresi (serbest çalışma).	30	20
<b>Gürültü yayma <sup>79</sup></b>		
Ses gücü seviyesi, ölçülmüş dB (A)	93	97
Ses gücü seviyesi, L <sub>WA</sub> dB (A) garantili	93	97
<b>Ses seviyeleri <sup>80</sup></b>		
Operatörün kulağındaki ses basıncı düzeyi, dB (A)	80	84
<b>Titreşim seviyeleri <sup>81</sup></b>		
Kol, m/s <sup>2</sup>	0,3	0,3
<b>Kesme donanımı</b>		
Kesme yüksekliği, mm	20-75	20-75

<sup>79</sup> 2000/14/AT sayılı AT direktifi uyarınca ses gücü (L<sub>WA</sub>) olarak çevrede ölçülen gürültü yayma seviyesi.

<sup>80</sup> Ses basıncı düzeyi için bildirilen verilerdeki tipik istatistik dağılım (standart sapma) 1,2 dB (A) şeklindedir.

<sup>81</sup> Titreşim düzeyi için bildirilen verilerin tipik istatistik dağılımı (standart sapması) 0,2 m/sn<sup>2</sup> şeklindedir. Titreşim standardı EN 60335-2-77:2017 bölüm 20.105

	<b>LB 548i</b>	<b>LC 551iV</b>
Kesme genişliđi, cm	48	51
Bıçak standardı	Malç bıçađı 597466510	Toplama bıçađı 597466310
Bıçak aksesuarı	Geçerli deđil	Malç bıçađı 597466410
Çim toplama sepeti kapasitesi, l	Geçerli deđil	65

\* Dakika başına devir

<b>Onaylı aküler</b>	<b>Tip</b>	<b>Akü kapasitesi, Ah</b>	<b>Voltađ, V</b>	<b>Ađırlık, lb/kg</b>
BLi20	Lityum iyon	4,0	36	2,6/1,2
BLi200	Lityum iyon	5,2	36	2,8/1,3
BLi300	Lityum iyon	9,4	36	4,1/1,9
BLi550X	Lityum iyon	15,6	36	12,4/5,6
BLi950X	Lityum iyon	31,1	36	15,4/7,0

<b>Belirtilen aküler için onaylı şarđ cihazları, BLi</b>	<b>Giriş voltađı, V</b>	<b>Frekans, Hz</b>	<b>Güç, W</b>
QC80	100-240	50-60	80
QC80F	12	0	80
QC330	100-240	50-60	330
QC500	100-240	50-60	500

# AT Uyumluluk Bildirimi

## AT Uyumluluk Bildirimi

**Husqvarna AB**, SE-561 82 Huskvarna, İsveç, tel.: +46-36-146500, ve sonraki seri numaralı **Husqvarna LB 548i, LC 551iV** model çim biçme makinelerinin KONSEY DİREKTİFİ gereksinimleriyle uyumlu olduğunu beyan eder:

- 8 Haziran 2011 tarihli ve **2011/65/AB** sayılı "belirli tehlikeli maddelerin kısıtlanmasına" ilişkin direktif
- 17 Mayıs 2006 tarihli ve **2006/42/AT** sayılı "makinelere ilgili" direktif
- 26 Şubat 2014 tarihli ve **2014/30/AB** sayılı "elektromanyetik uyumlulukla ilgili" direktif
- 8 Mayıs 2000 tarihli ve **2000/14/AT** sayılı "çevredeki gürültü emisyonları ile ilgili" direktif

Gürültü emisyonlarıyla ilgili bilgi için Teknik veriler bölümüne bakın.

Aşağıdaki standartlar uygulanmıştır:

**IEC 60335-1:2010, IEC 60335-2-77:2002, EN 60335-1:2012, EN 60335-2-77:2010 EN/IEC 62233:2008 EN 61000-6-3:2005 EN 61000-6-1:2005**

Başka şekilde belirtilmemişse yukarıda listelenen standartlar en son yayınlanan sürümlerdir.

Onaylanmış kuruluş: **0404, RISE SMP Svensk Maskinprovning AB, Box 7035, SE-750 07 Uppsala** 2000/14/AT direktifi Ek VI'ya uygun şekilde uyumluluk değerlendirmesini gerçekleştirmiş ve şu numaralı sertifikayı vermiştir:01/901/324 (LB 548i), 01/901/323 (LC 551iV)

Huskvarna, 2020-01-20



Claes Losdal, Geliştirme Müdürü/Bahçe Ürünleri (Husqvarna AB yetkili temsilcisi ve teknik dokümantasyon sorumlusu)

Türk ithalat şirketi daha fazla bilgi için temas edilecek:  
ÇULLAS ORMAN BAHÇE VE TARIM MAKİNELERİ SAN. TİC.LTD.ST:  
SUADIYE MAHALLESİ BAGDAT CADDESİ NO:455/3  
KADIKOY / İSTANBUL / TÜRKİYE  
+90 216 519 88 82  
MAHMUT GUNAY GURCAY  
mgg@cullas.com.tr



---

## Зміст

---

Вступ.....	563	Усунення несправностей.....	580
Безпека.....	565	Транспортування, зберігання й утилізація.....	581
Збирання.....	574	Технічні характеристики.....	582
Експлуатація.....	575	Декларація відповідності ЄС.....	585
ТЕХНІЧНЕ ОБСЛУГОВУВАННЯ.....	578		

---

## Вступ

---

### Опис виробу

Цей виріб – обертальна газонокосарка, керована пішим оператором. Модель LB 548i оснащена системою мульчування BioClip, яка дозволяє перетворювати траву на добриво.

Модель LC 551iV забезпечує збір трави в травозбірник. Для того, щоб трава викидалася ззаду,

приберіть травозбірник. Для того, щоб перетворити траву на добриво, встановіть приладдя для мульчування (аксесуар).

### Правильне використання

Використовуйте виріб для скошування трави в приватних садах. Забороняється використовувати продукт для інших завдань.

### Огляд виробу

(Мал. 1)

1. Панель керування
2. Ручка зупинення двигуна
3. Обмежувач запуску
4. Травозбірник (LC 551iV)
5. Задній кожух (LC 551iV)
6. Ключ безпеки
7. Фіксатор ручки (LC 551iV)
8. Важіль регулювання ручки (LB 548i)
9. Кришка акумуляторного відсіку
10. Регулятор висоти різання (LC 551iV)
11. Кнопка «УВИМК./ВИМКН.»
12. Кнопка SavE
13. Індикатор режиму SavE
14. Індикатор стану акумулятора
15. Індикатор швидкості
16. Кнопка зменшення швидкості
17. Кнопка збільшення швидкості
18. Світлодіодний індикатор помилки
19. Кожух леза
20. Всмоктувачі повітря
21. Табличка з паспортними даними
22. Привідна скоба (LC 551iV)
23. Зарядний пристрій (додатковий аксесуар)
24. Акумулятор (додатковий аксесуар)
25. Багатоблочний акумулятор (додатковий аксесуар)
26. Перехідна пластина (додатковий аксесуар)
27. Адаптер багатоблочного акумулятора (додатковий аксесуар)
28. Посібник користувача

### Символи на виробі

(Мал. 2) **ПОПЕРЕДЖЕННЯ:** Цей виріб може бути небезпечним і здатний спричинити тяжкі травми або смерть оператора чи сторонніх осіб. Будьте обережні й використовуйте виріб правильно.

(Мал. 3) Перед використанням виробу уважно прочитайте посібник користувача й переконайтеся в тому, що ви зрозуміли наведені в ньому вказівки.

(Мал. 4) Сторонні особи та тварини повинні знаходитися на безпечній відстані від робочої зони.

(Мал. 5) Остерігайтеся рикошету й об'єктів, які можуть вилітати з-під виробу.

(Мал. 6) Увага! Тримайте руки та ноги на відстані від леза, що обертається.

(Мал. 7) Увага! Тримайте руки та ноги на відстані від деталей, що обертаються.

(Мал. 8) Перед виконанням робіт із ремонту чи технічного обслуговування завжди виймайте ключ безпеки.

(Мал. 9) **Екологічне маркування.** Цей виріб і його пакування не можна утилізувати разом із побутовими відходами. Утилізацію виробу необхідно проводити на сертифікованому підприємстві з переробки відходів електричного й електронного обладнання.

(Мал. 10) Виріб відповідає вимогам застосовних директив ЄС.

(Мал. 11) Виріб відповідає вимогам застосовних директив Митного союзу ЄАЕС.

(Мал. 12) Виріб відповідає вимогам застосовних директив УкрСЕПРО.

(Мал. 13) Виріб відповідає вимогам застосовних директив RCM. Застосовується тільки для Австралії / Нової Зеландії

(Мал. 14) Рівень випромінювання шуму в середовище відповідає вимогам застосовних директив ЄС. Рівень випромінювання шуму виробу вказано в розділі *Технічні характеристики на сторінці 582* і на бирці виробу.

**IPX4** Захищено від бризок  
**IPX4** води.

(Мал. 19) Процедура запуску: натисніть кнопку «УВИМК./ВИМКН.», відпустіть обмежувач запуску, притисніть ручку зупинення двигуна вниз.

(Мал. 15) Щоб зупинити двигун, відпустіть ручку зупинення двигуна.

(Мал. 16) Повільно



(Мал. 17) Швидко

(Мал. 18) Сканований код

---

**Зверніть увагу:** Інші позначення на виробі відповідають вимогам спеціальних сертифікатів для певних ринків.

---

## Маркування на виробі

(Мал. 20)

Тримайте руки й ноги на безпечній відстані від лез, що обертаються.

## Відповідальність за якість продукції

Згідно із законом про відповідальність за якість продукції ми не несемо відповідальності за будь-які пошкодження, спричинені роботою наших виробів, якщо:

- виріб було неправильно відремontовано;
- виріб було відремontовано із використанням деталей, виготовлених не виробником або не затверджених ним;
- виріб обладнано аксесуаром, виготовленим не виробником або не затвердженим ним;
- виріб було відремontовано в неавторизованому сервісному центрі або неавторизованою компанією;

---

## Безпека

---

### Визначення щодо безпеки

Попередження, застереження й примітки служать для наголошення на особливо важливих положеннях посібника.



#### **ПОПЕРЕДЖЕННЯ:**

Вказує на те, що в разі порушення інструкцій, наведених у цьому посібнику, існує небезпека поранення або смерті оператора чи інших осіб, що знаходяться поруч.



**УВАГА:** Вказує на те, що в разі порушення інструкцій, наведених у цьому посібнику, існує небезпека

пошкодження виробу, інших матеріалів або навколишніх об'єктів.

---

#### **Зверніть увагу:**

Використовується для надання додаткової інформації щодо певної ситуації.

---

### Загальні правила техніки безпеки

---



#### **ПОПЕРЕДЖЕННЯ:**

Перш ніж розпочати використання виробу, уважно прочитайте наведені нижче попередження.

---

- Цей виріб може бути небезпечним у разі

неправильного або недбалого використання.

Порушення правил техніки безпеки може призвести до травм або смерті.

- Під час роботи цього виробу утворюється електромагнітне поле. Це поле може за деяких умов взаємодіяти з активними чи пасивними медичними імплантатами. Щоб зменшити ризик тяжких або смертельних травм, рекомендуємо особам із медичними імплантатами проконсультуватися зі своїм лікарем і виробником медичного імплантату перед початком експлуатації цього виробу.
- Завжди будьте обережні та керуйтеся здоровим глуздом. Якщо ви маєте сумніви щодо того, як користуватися виробом у конкретній ситуації, припиніть роботу та проконсультуйтеся з дилером Husqvarna.
- Пам'ятайте, що оператор несе відповідальність за нещасні випадки, в результаті яких постраждали інші особи або їхнє майно.
- Підтримуйте виріб чистим. Переконайтеся, що знаки та

наклейки знаходяться в читабельному стані.

- У жодному разі не дозволяйте користуватися приладом дітям або людям, які не ознайомилися з цим посібником. Вік оператора може обмежуватися місцевими нормами
- Завжди наглядайте за особами з обмеженими фізичними чи розумовими можливостями, що використовують виріб. Біля виробу, що працює, повинна завжди знаходитися відповідальна доросла особа.
- Забороняється використовувати виріб, якщо ви втомлені, хворі, чи перебуваєте під впливом наркотиків, алкоголю або медикаментів. Ці фактори мають негативний вплив на ваш зір, зосередженість, свідомість та координацію рухів.
- Забороняється використовувати виріб у разі його несправності.
- Забороняється зміни в конструкцію виробу чи використовувати виріб, якщо є підозра, що його було змінено сторонніми особами.

## Безпека в робочій зоні

---



### ПОПЕРЕДЖЕННЯ:

Перш ніж розпочати використання виробу, уважно прочитайте наведені нижче попередження.

---

- Перед використанням виробу приберіть з робочої зони всі гілки, лозу та каміння.
- Предмети, що потрапляють на різальне обладнання, можуть відлетіти та поранити сторонніх осіб або пошкодити інші предмети. Сторонні особи та тварини повинні знаходитися на безпечній відстані від виробу.
- Забороняється використовувати виріб за поганої погоди на кшталт туману, дощу, сильного вітру, значного холоду або грози. Робота в погану погоду або на вологих ділянках виснажує. Погана погода може стати причиною небезпечних умов роботи, таких як слизькі поверхні.
- Бережіться осіб, предметів та ситуацій, які можуть

зашкодити безпечній роботі виробу.

- Бережіться перешкод на кшталт коріння, каміння, гілок, ям або канав. Висока трава може приховувати перешкоди.
- Скошування трави на схилах може бути небезпечним. Не косіть занадто круті схили. Не використовуйте виріб на ділянках із нахилом понад 15°
- Будьте вкрай обережні, розвертаючись на схилах. Використовуйте виріб на схилах у горизонтальному напрямку. Не рухайтесь вгору і вниз.
- Будьте обережні, наближаючись до прихованих кутів та предметів, які можуть закривати поле зору.

## Техніка безпеки

---



### ПОПЕРЕДЖЕННЯ:

Перш ніж розпочати використання виробу, уважно прочитайте наведені нижче попередження.

---

- Використовуйте виріб лише для скошування трав'яних газонів. Заборонено

використовувати виріб для інших цілей.

- Використовуйте засоби індивідуального захисту. Див. *Засоби індивідуального захисту на сторінці 569.*
- Дізнайтеся, як швидко зупинити двигун в екстреній ситуації.
- Не використовуйте виріб під дощем або в умовах підвищеної вологості. Потраплення води у виріб збільшує загрозу ураження електричним струмом.
- Забороняється використовувати виріб без правильно встановленого леза та всіх кожухів. Неправильно встановлене лезо може від'єднатися і призвести до травм.
- Слідкуйте, щоб лезо не зачіпляло сторонні предмети на кшталт каміння та коріння. Це може призвести до пошкодження леза та згинання вала двигуна. Зігнута вісь викликає значні вібрації та призводить до ризику від'єднання леза від виробу.
- У разі удару леза об будь-який сторонній предмет чи появи вібрації негайно зупиніть виріб. Зупиніть

двигун, витягніть ключ безпеки та вийміть акумулятор. Перевіряйте виріб на наявність пошкоджень. Виправляйте пошкодження або здавайте виріб на ремонт в авторизований центр обслуговування.

- Забороняється закріплювати ручку зупинення двигуна на рукоятці, коли працює двигун.
- Поставте виріб на тверду рівну поверхню й увімкніть його. При цьому лезо не повинно торкатися землі або інших предметів.
- Під час роботи з виробом завжди залишайтеся позаду нього.
- Під час роботи з виробом всі колеса мають залишатися на землі, а обидві руки треба тримати на ручці. Тримайте руки та ноги на відстані від лез, що обертаються.
- Не нахильте виріб, коли двигун увімкнений.
- Будьте обережні під час руху у зворотному напрямку.
- Забороняється піднімати виріб, коли двигун увімкнений. Якщо треба підняти виріб, спочатку зупиніть двигун, витягніть

ключ безпеки та вийміть акумулятор.

- Не рухайтесь у зворотному напрямку під час роботи з виробом.
- Вимикайте двигун під час руху через ділянки без трави на кшталт доріжок із гравію, каменю або асфальту.
- Не бігайте з виробом, коли двигун увімкнений. Під час роботи з виробом необхідно ходити зі звичайною швидкістю.
- Вимикайте двигун, перш ніж змінювати висоту різання. Забороняється виконувати регулювання при ввімкненому двигуні.
- Забороняється залишати виріб без нагляду коли двигун працює. Зупиніть двигун та переконайтеся, що ріжуче обладнання не обертається.

**Правила техніки безпеки під час використання**

**Засоби індивідуального захисту**



**ПОПЕРЕДЖЕННЯ:**

Перш ніж розпочати використання виробу, уважно прочитайте

наведені нижче попередження.

- Особисте захисне спорядження не може повністю усунути небезпеку травмування, але при нещасному випадку воно знизить ступінь важкості травми. Дозвольте дилеру допомогти вам із вибором підходящого обладнання.
- Використовуйте взуття із захистом від ковзання для роботи у важких умовах. Забороняється використовувати відкрите взуття або працювати взагалі без нього.
- Використовуйте цупкі довгі штани.
- За потреби використовуйте рукавички, наприклад, якщо необхідно приєднати, оглянути або почистити різальне обладнання.

**Механізми безпеки на пристрої**



**ПОПЕРЕДЖЕННЯ:**

Перш ніж розпочати використання виробу, уважно прочитайте наведені нижче попередження.

- Не використовуйте виріб із пошкодженими захисними пристроями.
- Регулярно перевіряйте захисні пристрої. У випадку пошкодження захисних пристроїв зверніться до центру обслуговування Husqvarna.

## Перевірка кожуха леза

Кожух леза частково поглинає вібрацію виробу та знижує небезпеку травмування лезом.

- Огляньте кожух леза та переконайтеся, що він не має пошкоджень на кшталт тріщин.

## Ключ безпеки

Ключ безпеки знаходиться під кришкою акумуляторного відсіку. Ключ безпеки під'єднує акумулятор, який у свою чергу живить двигун.

## Перевірка ключа безпеки

Ключ безпеки під'єднує акумулятор, який у свою чергу живить двигун.

- Запустіть і зупиніть двигун. Якщо ключ безпеки справний, двигун заводиться лише тоді, коли

ключ вставлено в запобіжний замок.

## Ручка зупинення двигуна

Ручка зупинення двигуна зупиняє двигун. За відпускання ручки зупинення двигуна він зупиняється.

Щоб перевірити роботу гальма двигуна, запустіть двигун, а потім відпустіть ручку зупинення. Якщо двигун не зупиняється протягом 3 секунд, необхідно передати виріб в авторизований центр обслуговування Husqvarna для налаштування гальма двигуна.

(Мал. 21)

## Перевірка обмежувача запуску

Перевірте обмежувач запуску, щоб переконатися, що він дійсно блокує роботу двигуна.

1. Перемістіть ручку зупинення двигуна в напрямку рукоятки. Обмежувач запуску блокує рух.
2. Потягніть обмежувач запуску. (Мал. 22)
3. Відпустіть обмежувач запуску та переконайтеся,

що він повертається до початкового положення.

## Заходи безпеки під час роботи з акумуляторами



### ПОПЕРЕДЖЕННЯ:

Перш ніж розпочати використання виробу, уважно прочитайте наведені нижче попередження.

- Для живлення виробів Husqvarna необхідно використовувати лише акумулятори Husqvarna. Щоб уникнути травмування, забороняється використовувати акумулятор в якості джерела живлення для інших приладів.
- Не використовуйте одноразові батареї.
- небезпека ураження електричним струмом. Забороняється під'єднувати клеми акумулятора до ключів, монет, гвинтів або інших металевих предметів. Це може призвести до короткого замикання в акумуляторі.
- Забороняється вставляти предмети у вентиляційні отвори акумулятора.
- Тримайте акумулятор подалі від прямих сонячних променів, джерел тепла та відкритого вогню. Акумулятор може вибухнути, що призведе до опіків та / або хімічних опіків.
- Бережіть акумулятор від дощу та вологи.
- Захищайте акумулятор від впливу мікрохвиль чи високого тиску.
- Забороняється розбирати чи ламати акумулятор.
- У разі витікання рідини з акумулятора слідкуйте, щоб вона не потрапила на тіло чи в очі. Якщо рідина потрапила на шкіру, промийте вражену ділянку великою кількістю води та зверніться за медичною допомогою.
- Акумулятор дозволяється використовувати за температури від  $-10\text{ }^{\circ}\text{C}$  до  $+40\text{ }^{\circ}\text{C}$ .
- Заборонено мити батарею чи зарядний пристрій водою. Див. *Чищення акумулятора та зарядного пристрою на сторінці 579.*
- Не використовуйте несправний чи пошкоджений акумулятор.
- Зберігайте акумулятор подалі від металевих

предметів на кшталт цвяхів, монет, ювелірних виробів.

## Заходи безпеки при роботі із зарядним пристроєм



### ПОПЕРЕДЖЕННЯ:

Перш ніж розпочати використання виробу, уважно прочитайте наведені нижче попередження.

- Для заряджання замінних акумуляторів Husqvarna необхідно використовувати лише зарядні пристрої QC.
- Ризик короткого замикання й ураження електричним струмом. Забороняється вставляти предмети у вентиляційні отвори зарядного пристрою. Заборонено розбирати зарядний пристрій. Не торкайтеся металевих предметів контактами зарядного пристрою. Використовуйте сертифіковані електричні розетки.
- Під час роботи цього виробу утворюється електромагнітне поле. Це поле може за деяких умов взаємодіяти з активними чи пасивними медичними імплантатами. Щоб зменшити ризик тяжких або смертельних травм, рекомендуємо особам із медичними імплантатами проконсультуватися зі своїм лікарем і виробником медичного імплантату перед початком експлуатації цього виробу.
- Регулярно перевіряйте шнур живлення зарядного пристрою на предмет пошкоджень та тріщин.
- Забороняється підіймати зарядний пристрій, тримаючи його за шнур живлення. Щоб від'єднати зарядний пристрій від настінної розетки, витягніть штепсельну вилку. У жодному разі не тягніть за шнур живлення.
- Тримайте шнур живлення та подовжувачі на безпечній відстані від води, мастил і гострих предметів. Переконайтеся, що кабель не здавлено дверима, огорожею або іншими предметами. У такому випадку зарядний пристрій може опинитися під напругою.
- Заборонено мити зарядний пристрій водою.



- Діти віком від 8 років та особи з обмеженими фізичними, сенсорними або психічними можливостями або особи, які не мають досвіду та знань, можуть використовувати зарядний пристрій лише під наглядом або після належного інструктажу щодо безпечного його використання, за умови розуміння ними пов'язаних із таким використанням ризиків. Дітям забороняється грати із зарядним пристроєм. Дітям забороняється чистити зарядний пристрій і здійснювати його технічне обслуговування без нагляду.
  - Не намагайтеся заряджати одноразові батареї за допомогою зарядного пристрою.
  - Забороняється використовувати зарядний пристрій поблизу легкозаймистих або корозійних матеріалів. Заборонено накривати зарядний пристрій. При появі диму чи вогню витягніть штепсель зарядного пристрою з розетки.
  - Не використовуйте зарядний пристрій з ознаками пошкодження.
  - Заряджати акумулятор слід тільки в добре провітрюваних приміщеннях та подалі від сонячного світла. Не заряджайте акумулятор у вологому середовищі.
- ### Правила техніки безпеки під час обслуговування
- 
-  **ПОПЕРЕДЖЕННЯ:** Перш ніж розпочати використання виробу, уважно прочитайте наведені нижче попередження.
- 
- Перед технічним обслуговуванням виробу виймайте ключ безпеки.
  - Виконуйте технічне обслуговування правильно, адже це допоможе збільшити термін експлуатації виробу та зменшить небезпеку виникнення нещасних випадків. Доручайте професійний ремонт уповноваженому центру обслуговування. Більш детальну інформацію можна

- дізнатися в найближчому центрі обслуговування.
- Виконуйте лише те технічне обслуговування, що наведене в цьому посібнику користувача.
- Під час роботи з різальним обладнанням завжди надягайте міцні рукавиці. Лезо дуже гостре, ним можна легко порізатися.
- Для найкращої продуктивності та безпеки слід підтримувати різальні кромки гострими та чистими.
- Регулярно віддавайте виріб у центр обслуговування, де його будуть перевіряти, робити необхідні налаштування або ремонт.

- Замінійте пошкоджені, зношені або зламані деталі.
- Дотримуйтеся інструкцій щодо заміни аксесуарів. Користуйтеся аксесуарами лише від виробника обладнання.
- Коли виріб не використовується, зберігайте його окремо від акумулятора та зарядного пристрою в сухому закритому приміщенні. Переконайтеся, що діти та особи без належної підготовки не зможуть отримати доступ до виробу, акумулятора чи зарядного пристрою.

---

## Збирання

---

### Вступ



**ПОПЕРЕДЖЕННЯ:** Перед збиранням виробу уважно прочитайте розділ про правила техніки безпеки.

### Встановлення та виймання багатоблочного акумулятора (додатковий аксесуар)

1. Зніміть 4 гумові кришки та 4 гвинти з кришки двигуна. (Мал. 23)
2. Встановіть перехідну пластину на кришку двигуна.
3. Зафіксуйте перехідну пластину 4 гвинтами з комплекту з зусиллям 5–6 Н·м. (Мал. 24)
4. Відкрийте люк акумуляторного відсіку.
5. Вийміть акумулятор із роз'єму 1. (Мал. 25)
6. Зніміть стопорні ущільнення. (Мал. 26)
7. Вставте адаптер акумулятора у відсік і натисніть на нього до клацання. (Мал. 27)

8. Проведіть шнур адаптера акумулятора через отвір стопорного ущільнення. Зафіксуйте шнур затискачем. (Мал. 28)
9. Встановіть багатоблочний акумулятор на адаптер акумулятора.
10. Під'єднайте багатоблочний акумулятор до адаптера акумулятора. (Мал. 29)
11. Зафіксуйте шнур адаптера акумулятора на ручці 3 текстильними ременями. (Мал. 30)
12. Процедура виймання багатоблочного акумулятора виконується у зворотному порядку.



**ПОПЕРЕДЖЕННЯ:** Не фіксуйте шнур занадто вільно. Він може відірватися від ручки, що може призвести до травмування.

### Монтаж ручки (LC 551iV)

1. Відпустіть нижні фіксувальні головки.
2. Пересуньте головки у нижню частину прорізів зліва та справа виробу. (Мал. 31)

3. Встановіть висоту ручки в одне з двох доступних положень.
4. Пересуньте головки вгору в напрямку ручки, доки вони не зупиняться та ви не почуєте клацання. (Мал. 32)
5. Надійно затягніть фіксуючі голівки.

## Монтаж ручки (LB 548i)

1. Зніміть гайку ручки й шайбу з пластили на верхній ручці.
2. Переведіть верхню ручку в положення на верхній частині нижньої ручки.



**УВАГА:** Переконайтеся в тому, що дроти не затиснуті й не пошкоджені.

3. Встановіть шайбу й важіль регулювання ручки. (Мал. 33)
4. Коли ви використовуєте виріб біля стіни, поверніть ручку вбік, аби працювати було зручніше. (Мал. 34)

## Монтаж травозбірника (LC 551iV)

1. Встановіть рамку травозбірника на мішок для трави. Твердий бік мішка має бути низу.

- Тримайте рукоятку рами зверху мішка для трави. (Мал. 35)
2. Вставте нижню частину рами травозбірника в паз низу травозбірника.
3. Зафіксуйте мішок для трави на рамі травозбірника за допомогою затискачів. (Мал. 36)
4. Підніміть задню кришку.
5. Під'єднайте травозбірник до верхньої кромки рами.
6. Встановіть нижню частину травозбірника в канал викидання трави. (Мал. 37)

## Монтаж заглушки для мульчування (аксесуар LC 551iV)

1. Підніміть задню кришку та вийміть травозбірник.
2. Вставте заглушку для мульчування в канал викидання. (Мал. 38)
3. Замініть стандартне лезо на лезо для мульчування, що постачається в комплекті приладдя для мульчування. Див. *Заміна ножа на сторінці 579.*

## Експлуатація

### Вступ



**ПОПЕРЕДЖЕННЯ:** Перед експлуатацією виробу обов'язково прочитайте й усвідомте зміст розділу про заходи безпеки.

### Husqvarna Connect

Husqvarna Connect є безкоштовною програмою для мобільного пристрою. У програмі Husqvarna Connect доступна ціла низка розширених функцій для користування Husqvarna:

- розширена інформація про виріб;
- відомості про деталі й обслуговування виробу, а також довідкова інформація.

### Щоб почати користуватися Husqvarna Connect

1. Завантажте програму Husqvarna Connect на свій мобільний пристрій.
2. Зареєструйтеся в програмі Husqvarna Connect.
3. Виконайте кроки з реєстрації в програмі Husqvarna Connect, щоб під'єднати та зареєструвати виріб.

### Husqvarna Fleet Services™

Husqvarna Fleet Services™ – це хмарне рішення для огляду всіх виробів у парку інструментів. Husqvarna Fleet Services™ включено для LC 551iV. Докладну інформацію про Husqvarna Fleet Services™ див. на веб-сайті [www.husqvarna.com](http://www.husqvarna.com).

### Підготовка датчика (додатковий аксесуар)

1. Відкрийте кришку датчика спеціальним ключем. (Мал. 39)
2. Вийміть датчик.
3. Під'єднайте акумулятор до датчика. Ввімкнеться світлодіодний індикатор датчика. (Мал. 40)
4. Завантажте програму Husqvarna Fleet Services™.
5. Увійдіть в обліковий запис у програмі Husqvarna Fleet Services™.
6. Виконайте сполучення. Див. *Сполучення програми та виробу на сторінці 575*

### Сполучення програми та виробу

1. Увійдіть в обліковий запис у програмі Husqvarna Fleet Services™.
2. Оберіть у програмі свій виріб.
3. Відскануйте код на задній частині датчика своїм мобільним пристроєм, щоб додати датчик до програми.

**Зверніть увагу:** Сполучення програми та виробу необхідно виконати лише один раз.

## Установлення датчика

1. Переконайтеся в тому, що датчик під'єднаний до програми Husqvarna Fleet Services™. Див. *Сполучення програми та виробу на сторінці 575.*
2. Просвердліть 2 отвори по відмітках у гнізді корпусу. (Мал. 41)

**Зверніть увагу:** Переконайтесь, що отвори мають той же розмір, що й заклепки, які постачаються разом із датчиком.

3. Плоскогубцями від'єднайте зовнішні отвори на гнізді датчика. (Мал. 42)
4. Просвердліть 2 отвори по відмітках у гнізді датчика. (Мал. 43)
5. Сумістіть гніздо датчика з гніздом корпусу. (Мал. 44)
6. Зафіксуйте гніздо датчика заклепками.
7. Установіть датчик у гніздо. Сумістіть білу позначку на датчику з позначкою на гнізді датчика. (Мал. 45)
8. Закрийте кришку датчика й зафіксуйте її спеціальним ключем. Переконайтеся, щоб верхня частина логотипу компанії Husqvarna (H) знаходилася подалі від ключа безпеки. (Мал. 46)

## Встановлення виробу в положення для експлуатації (LC 551iV)

1. Підніміть ручку у вертикальне положення. (Мал. 47)
2. Пересуньте головки вгору в напрямку ручки, доки вони не зупиняться та ви не почуєте клацання. (Мал. 32)
3. Надійно затягніть фіксуючі голівки.

## Налаштування висоти різання

Можна встановити 6 різних рівнів висоти різання.

1. Щоб збільшити висоту різання, посуňte регулятор висоти різання в напрямку колеса й назад.
2. Щоб зменшити висоту різання, посуňte регулятор висоти різання в напрямку колеса й вперед. (Мал. 48)



**УВАГА:** Не встановлюйте занадто низьку висоту різання. Леза можуть зачепити землю, якщо поверхня газону буде нерівною.

## Акумулятор



**ПОПЕРЕДЖЕННЯ:** Перед використанням акумулятора обов'язково прочитайте й усвідомте зміст розділу про заходи безпеки. Також необхідно прочитати й усвідомити зміст посібника користувача для акумулятора та зарядного пристрою.

## Стан акумулятора

На дисплеї відображаються поточний стан заряду акумулятора та можливі проблеми під час його роботи. Поточний стан заряду акумулятора відображається протягом 5 секунд після вимкнення виробу або натискання індикаторної кнопки акумулятора. У разі виникнення будь-якої помилки на дисплеї акумулятора з'являється попереджувальний символ. Див. *Акумулятор на сторінці 580.*

(Мал. 49)

Світлодіодні індикатори	Стан акумулятора
Горять усі світлодіодні індикатори	Акумулятор заряджений повністю (75-100 %)
Горять світлодіодні індикатори 1, 2 та 3	Акумулятор заряджений на 50-75 %.
Горять світлодіодні індикатори 1 та 2	Акумулятор заряджений на 25-50 %.
Горить світлодіодний індикатор 1	Акумулятор заряджений на 0-25 %
Блимає світлодіодний індикатор 1	Акумулятор розряджений. Зарядіть акумулятор

## Зарядка акумулятора

Перед першим використанням акумулятор слід зарядити. Акумулятор постачається зарядженим лише на 30 % ємності.

**Зверніть увагу:** Зарядний пристрій слід під'єднувати лише до джерел електроживлення з напругою та частотою, вказаними на табличці з паспортними даними.

Акумулятор не заряджається, якщо його температура перевищує 50°C. Перед початком заряджання зарядний пристрій зменшує температуру акумулятора.

1. Під'єднайте один кінець шнура живлення зарядного пристрою до його роз'єму.
2. Під'єднайте інший кінець шнура живлення зарядного пристрою до електричної розетки із заземленням. Світлодіод зарядного пристрою блимне один раз зеленим кольором. (Мал. 50)

3. Встановіть акумулятор у зарядний пристрій. Якщо акумулятор підключено правильно, на зарядному пристрої загоряється зелений індикатор. (Мал. 51)
4. Якщо загоряються всі світлодіодні індикатори, це означає, що акумулятор повністю заряджений. Тривалість заряджання акумулятора не повинна перевищувати 24 години.
5. Щоб від'єднати зарядний пристрій із розетки, тримайтеся тільки за штепсель, не тягніть за шнур.
6. Вийміть акумулятор із зарядного пристрою.
5. Якщо загоряються всі світлодіодні індикатори, а на адаптері відображається «100 %», це означає, що акумулятор повністю заряджений. (Мал. 54)  
Адаптер відображає стан заряду з кроком в 1 %. На початку заряджання можливі невеликі відхилення.
6. Щоб від'єднати зарядний пристрій від настінної розетки, витягніть штепсельну вилку. Не тягніть за кабель.
7. Від'єднайте адаптер від зарядного пристрою.
8. Вийміть багатоблочний акумулятор із адаптера.

## Стан заряджання акумулятора

Літій-іонний акумулятор Husqvarna можна заряджати та використовувати за будь-якого рівня зарядки. Акумулятор не буде пошкоджено. Повністю заряджена акумуляторна батарея не втрачає заряд, якщо її залишити в зарядному пристрої.

Світлодіодний дисплей	Стан зарядки
Блимає світлодіодний індикатор 1	0-25 %
Горить світлодіодний індикатор 1, блимає світлодіодний індикатор 2	25-50 %
Горять світлодіодні індикатори 1, 2, блимає світлодіодний індикатор 3	50-75 %
Горять світлодіодні індикатори 1, 2, 3, блимає світлодіодний індикатор 4	75-100 %
Горять світлодіодні індикатори 1, 2, 3, 4	Заряджено повністю

## Заряджання багатоблочного акумулятора

**Зверніть увагу:** Перед першим використанням акумулятор необхідно зарядити. Новий акумулятор заряджений лише на 30 %.

1. Переконайтеся, що акумулятор сухий.
2. Під'єднайте багатоблочний акумулятор до адаптера. (Мал. 52)
3. Установіть адаптер у зарядний пристрій акумулятора.
4. Переконайтеся, що на зарядному пристрої ввімкнувся зелений світлодіодний індикатор заряджання. Це означає, що адаптер і багатоблочний акумулятор підключені правильно. (Мал. 53)

**Зверніть увагу:** Детальнішу інформацію див. у посібниках до багатоблочного акумулятора й зарядного пристрою.

## Увімкнення виробу

1. Підніміть кришку акумуляторного відсіку.
2. Установіть акумулятор у гніздо № 1 під кришкою. Для більш тривалого часу використання вставте другий заряджений акумулятор у гніздо № 2.
3. Вийміть ключ безпеки з тримача.
4. Вставте ключ безпеки в запобіжний замок. (Мал. 55)
5. Залишайтеся позаду виробу.
6. Натисніть кнопку увімкнення / вимкнення на панелі керування. Після цього увімкнеться дисплей.
7. Відпустіть обмежувач запуску. (Мал. 22)
8. Перемістіть ручку зупинення двигуна в напрямку рукоятки. (Мал. 56)

## Підключення приводу до коліс (LC 551IV)

- Щоб запустити привід, потягніть привідну скобу в напрямку рукоятки. (Мал. 57)
- Ви можете перемикатися між 4 рівнями швидкості приводу за допомогою кнопок «+» і «-» на панелі керування. (Мал. 58)
- При наблизненні до перешкоди відпустіть привідну скобу для розчеплення приводу.

## Використання функції SavE

Виріб оснащений функцією збереження заряду акумулятора (SavE), що дозволяє подовжити час використання.

1. Для увімкнення функції натисніть кнопку SavE (A). Після цього на дисплеї з'явиться символ SavE (B).
2. Для вимкнення функції натисніть кнопку SavE ще раз. Після цього символ SavE (B) на дисплеї зникне. (Мал. 59)

Функція SavE вимикається автоматично в разі, якщо умови поверхні потребують збільшення потужності.

Якщо умови поверхні дозволяють, функція SaveE знову вмикається автоматично.

## Функція PowerBoost

Якщо виріб використовується для зрізання довгої чи вологої трави, двигун автоматично збільшує оберти. Щоб зберегти заряд акумулятора, двигун автоматично переходить у стандартний режим, коли функція PowerBoost не потрібна.

## Вимкнення виробу

Якщо ви не користуєтеся виробом протягом 3 хвилин, він автоматично зупиняється.

1. Для зупинення двигуна відпустіть ручку зупинення двигуна. (Мал. 21)
2. Натисніть кнопку ввімкнення / вимкнення на панелі керування. Усі світлодіодні індикатори й символи на дисплеї вимкнуться. (Мал. 60)
3. Вийміть ключ безпеки із запобіжного замка та вставте його в тримач.

## Забезпечення ефективної роботи

- Завжди користуйтеся гострим лезом. Тупе лезо ріже нерівно, а трава на поверхні розрізу жовтіє.

Крім того, гостре лезо споживає менше енергії за тупе.

- Не скошуйте більше  $\frac{1}{3}$  довжини трави. Спочатку треба виконувати скошування з великою висотою різання. Оцініть результат і зменште висоту зрізання на потрібну вам. Якщо трава дуже довга, ведіть газонокосарку повільно і виконайте скошування двічі, якщо це необхідно.
- Косіть щоразу в різних напрямках, щоб на газоні не було смуг.

## Скошування трави без травозбірника чи заглушки для мульчування (LC 551iV)

1. Підніміть задню кришку та вийміть травозбірник.
2. Зніміть заглушку та лезо для мульчування, якщо вони встановлені.
3. Перед використанням виробу закрийте задню кришку.

Під час експлуатації виробу зрізана трава викидається під задньою кришкою.

# ТЕХНІЧНЕ ОБСЛУГОВУВАННЯ

## Вступ



**ПОПЕРЕДЖЕННЯ:** Перед виконанням робіт із технічного обслуговування обов'язково прочитайте й усвідомте зміст розділу про заходи безпеки.

Для всіх робіт з обслуговування та ремонту необхідна спеціальна підготовка. Ми гарантуємо доступність послуг із професійного ремонту та обслуговування. Якщо ваш дилер не є одночасно центром обслуговування, зверніться до нього по

інформацію щодо найближчого центру обслуговування.

## Графік технічного обслуговування

Інтервали технічного обслуговування вказані з урахуванням щоденного використання виробу. Інтервали змінюються для іншої частоти використання виробу.

Відомості про види обслуговування, позначені зірочкою (\*), див. у розділі *Правила техніки безпеки під час використання на сторінці 569.*

	Перед кожним використанням	Щомісяця	Щоквартально
Загальна перевірка	X		
Очищення кришки коробки передач. Переконайтеся, що на двигуні не накопичилася трава	X		
Перевірка обмежувача запуску*	X		
Переконайтеся, що захисні пристрої виробу є справними*	X		
Перевірте травозбірник на наявність ознак зносу чи псування	X		
Перевірка різального обладнання	X		
Перевірка кожуха леза*	X		

	Перед кожним використанням	Щомісяця	Щоквартально
Перевірка ручки зупинення двигуна*	X		
Перевірка правильності та справності роботи кнопки «УВІМК./ВИМКН.»	X		
Перевірка акумулятора на наявність пошкоджень	X		
Перевірка рівня заряду акумулятора	X		
Перевірка справності кнопки фіксатора на акумуляторі та надійності утримування акумулятора у виробі	X		
Очищення всмоктувачів повітря. Переконайтеся, що на всмоктувачах повітря не накопичилися трава або бруд	X		
Перевірка зарядного пристрою на наявність пошкоджень та правильність його роботи		X	
Перевірка з'єднань між акумулятором та виробом. Перевірка з'єднань між акумулятором і зарядним пристроєм			X

## Процедура загальної перевірки

- Переконайтеся, що всі гайки й гвинти на виробі затягнуті.
- Переконайтеся, що кабелі встановлені так, щоб вони не пошкодились.

## Заміна ножа

1. Зафіксуйте лезо дерев'яним брусом. (Мал. 61)
2. Видаліть болт леза, пружинну шайбу й лезо. (Мал. 62)
3. Перевірте опору леза й болт леза на наявність пошкоджень.
  - а) Якщо ви замінюєте лезо або опору леза, також слід замінювати болт леза, пружинну шайбу й фрикційну шайбу.
4. Перевірте вал двигуна на предмет згинань.
5. Під час встановлення нового леза переконайтеся, що зігнуті кінці леза направлені в напрямку кожуха леза. (Мал. 63)
6. Установіть фрикційну шайбу й лезо на опору леза. (Мал. 64)
7. Переконайтеся в тому, що лезо суміщене з центром вала двигуна. (Мал. 65)
8. Зафіксуйте лезо дерев'яним брусом. (Мал. 66)
9. Установіть пружинну шайбу й затягніть болт із моментом 65-75 Н·м. (Мал. 67)
10. Прокрутіть лезо рукою й переконайтеся в тому, що воно вільно обертається.



**ПОПЕРЕДЖЕННЯ:** Використовуйте захисні рукавички. Лезо дуже гостре, ним можна легко порізатися.

11. Запустіть виріб, щоб перевірити роботу леза. У разі неправильного встановлення леза у виробі буде спостерігатися вібрація або результат скошування буде незадовільний.

## Чищення виробу

- Для очищення пластмасових деталей використовуйте суху чисту тканину.
- Не користуйтеся водою для очищення виробу. Вода може потрапити в акумулятор чи двигун та призвести до короткого замикання або пошкодження виробу.
- Для чищення виробу не використовуйте миючий апарат високого тиску.
- Заборонено лити воду безпосередньо на двигун.
- Прибирайте листя, траву та бруд за допомогою щітки.

## Чищення акумулятора та зарядного пристрою



**УВАГА:** Заборонено мити батарею чи зарядний пристрій водою.

- Перш ніж вставити акумулятор у зарядний пристрій, переконайтеся, що акумулятор і зарядний пристрій чисті й сухі.
- Чистити контакти акумулятора потрібно стисненим повітрям або за допомогою м'якої сухої ганчірки.
- Чистити поверхню акумулятора та зарядного пристрою потрібно за допомогою м'якої сухої ганчірки.

## Перевірка різального обладнання



**ПОПЕРЕДЖЕННЯ:** Щоб запобігти випадковому ввімкненню, витягніть ключ безпеки, вийміть акумуляторну батарею та почекайте принаймні 5 секунд.



**ПОПЕРЕДЖЕННЯ:** Під час технічного обслуговування різального обладнання використовуйте захисні рукавиці. Лезо дуже гостре, ним можна легко порізатися.

1. Перевірте різальне обладнання на наявність пошкоджень або тріщин. Обов'язково замінійте пошкоджене різальне обладнання.

2. Огляньте лезо на предмет пошкоджень або затуплення.

**Зверніть увагу:** Після гостріння леза необхідно відрегулювати його баланс. Гостріння, заміну та балансування леза необхідно проводити в центрі обслуговування. У разі потрапляння на перешкоду, що призвела до зупинки двигуна, замініть пошкоджене лезо. Спеціалісти центру обслуговування мають провести оцінювання стану леза та надати консультацію щодо необхідності його гостріння або заміни.

## Усунення несправностей

### Акумулятор

Світлодіоди на акумуляторі	Можливі несправності	Можливі виправлення
Блимає зелений світлодіодний індикатор	Напруга акумулятора занадто мала	Зарядіть акумулятор Див. <i>Зарядка акумулятора на сторінці 576.</i>
Блимає світлодіодний індикатор помилки	Занадто низький рівень заряду акумулятора	Зарядіть акумулятор Див. <i>Акумулятор на сторінці 580.</i>
	Температура робочого середовища занадто висока чи занадто низька	Акумулятор дозволяється використовувати за температури від -10°C до 40°C.
	Перенапруга	Переконайтеся, що напруга відповідає значенням, зазначеним на таблиці з паспортними даними виробу.  Вийміть акумулятор із зарядного пристрою. Почекайте 5 секунд і спробуйте зарядити акумулятор. Якщо усунути несправність не вдалося, зв'яжіться з уповноваженим центром обслуговування.
Світлодіодний індикатор помилки ввімкнений	Завелика різниця напруги між елементами акумуляторної батареї (1 В).	Зверніться в авторизований центр обслуговування.

### Зарядний пристрій акумулятора

Світлодіодний індикатор на зарядному пристрої	Можливі несправності	Можливі виправлення
Блимає світлодіодний індикатор помилки	Температура робочого середовища занадто висока чи занадто низька	Зарядний пристрій дозволяється використовувати за температури від 5°C до 40°C.
Світлодіодний індикатор помилки ввімкнений		Зверніться в авторизований центр обслуговування



## Панель керування

Код помилки (кількість спалахів)	Можливі несправності	Можливі виправлення
1	Елементи коробки передач занадто нагрілися.	Дайте виробу охолонути. Переконайтеся, що на коробці передач не накопичилася трава. За потреби очистьте кришку коробки передач.
5	Частота обертання двигуна занадто падає, і він зупиняється.	Очистіть різальну деку та збільште висоту різання. Див. <i>Налаштування висоти різання на сторінці 576</i> . Якщо помилка не виправлена, зверніться до затвердженого центру обслуговування.
8	Занизький рівень заряду акумулятора.	Зарядіть акумулятор. Див. <i>Зарядка акумулятора на сторінці 576</i> .
9	Помилка акумулятора або відсутність сигналу від нього.	Правильно вставте акумулятор у виріб і перевірте його роз'єм. Якщо світлодіодний індикатор на акумуляторі продовжує блимати, див. <i>Акумулятор на сторінці 576</i> .
10	Елементи керування двигуном занадто нагрілися.	Зупиніть двигун і дайте йому охолонути.
Інші помилки	У разі появи інших помилок вийміть ключ безпеки та акумулятор і зверніться до затвердженого центру обслуговування.	

## Транспортування, зберігання й утилізація

### Вступ



**ПОПЕРЕДЖЕННЯ:** Щоб запобігти ненавмисному запуску під час транспортування, витягніть ключ безпеки, вийміть акумулятор та почекайте принаймні 5 секунд.

законодавства щодо небезпечних матеріалів.

Крім того, можуть застосовуватися місцеві норми.

- Перед перевезенням виробу слід завжди виймати акумуляторну батарею.
- Заклейте з'єднувачі акумулятора стрічкою та переконайтеся, що під час транспортування він буде надійно зафіксований.
- Під час транспортування закріплюйте виріб.

### Встановлення виробу в положення для транспортування (LC 551iV)

1. Відпустіть нижні фіксувальні головки.
2. Пересуньте головки у нижню частину прорізів зліва та справа виробу. (Мал. 31)
3. Складіть ручку вперед. (Мал. 68)
4. Зніміть травозбірник.

### Транспортування

- До літій-іонних акумуляторів, що йдуть у комплекті, застосовується законодавство щодо небезпечних товарів.
- Під час транспортування цивільним транспортом слід дотримуватися спеціальних вимог, що зазначені на пакуванні та наклейках.
- У разі підготовки виробу до транспортування переконайтеся, що ви дотримуетесь

### Зберігання

- Перед зберіганням виробу слід завжди виймати акумулятор.
- Задля уникнення нещасних випадків переконайтеся, що під час зберігання акумулятор не під'єднаний до виробу.
- Зберігайте зарядний пристрій у сухому місці в закритому приміщенні.
- Зберігайте акумулятор та зарядний пристрій у сухому місці, захищеному від вологи та холоду.
- Під час зберігання від'єднуйте акумулятор від зарядного пристрою.
- Заборонено зберігати акумулятор у місці, де можуть утворюватися статичні заряди. Не зберігайте акумулятор у металевій коробці.
- Зберігайте акумулятор за температури від 5°C до 25°C у захищеному від прямих сонячних променів місці.

- Зберігайте зарядний пристрій за температури від 5°C до 45°C у захищеному від прямих сонячних променів місці.
- Перед тривалим зберіганням акумуляторної батареї переконайтеся, що рівень її заряду становить 30–50 %.
- Зберігайте виріб, акумулятор та зарядний пристрій у закритому приміщенні, куди не зможуть отримати доступ діти та особи без належної підготовки.
- Перед тривалим зберіганням промийте виріб та проведіть повне технічне обслуговування.

відходами. Утилізацію цього виробу слід здійснювати на спеціалізованому підприємстві з переробки відходів електричного й електронного обладнання.

Належна утилізація виробу допоможе запобігти потенційному негативному впливу на стан навколишнього середовища та здоров'я людей, який може стати наслідком некоректної обробки відходів. Докладну інформацію про утилізацію цього виробу можна отримати в органах місцевого самоврядування, місцевих службах переробки відходів або в магазині, де було придбано цей пристрій.

(Мал. 69)

## Утилізація

Символи на виробі або його упаковці вказують на те, що його не слід утилізувати разом з побутовими

## Технічні характеристики

### Технічні характеристики

	LB 548i	LC 551iV
<b>Різальний двигун</b>		
Тип двигуна	Двигун постійного струму (без щіток) 36 В	Двигун постійного струму (без щіток) 36 В
Частота обертання двигуна – SavE, об/хв	2600	2600
Частота обертання двигуна – номінальна, об/хв	3000	3000
Частота обертання двигуна – підвищена потужність, об/хв*	3300	3300
Вихідна потужність двигуна – максимальна, кВт	1,8	1,8
Вихідна потужність двигуна – номінальна, кВт	1,5	1,5
<b>Повідний двигун</b>		
Вихідна потужність двигуна – номінальна, кВт	Не застосовується	0,3
Швидкість самохідного руху, км/ч	Не застосовується	3,0-5,0
Рівні швидкості	Не застосовується	4
<b>Вага</b>		
Вага без акумулятора, кг	31	41
<b>Акумулятор</b>		
Тип акумулятора	Серія Husqvarna	Серія Husqvarna
<b>Тривалість роботи акумулятора</b>		
Тривалість роботи акумулятора, хв (холостий хід), із активованою функцією SavE, з одним акумулятором Husqvarna ємністю 5,2 А-год (Bli200).	40	30
Тривалість роботи акумулятора, хв, (холостий хід) у стандартному режимі роботи, з одним акумулятором Husqvarna ємністю 5,2 А-год (Bli200).	30	20

	LB 548i	LC 551iV
<b>Випромінювання шуму</b> <sup>82</sup>		
Рівень звукової потужності, вимірюваний у децибелах (A)	93	97
Рівень звукової потужності, гарантований L <sub>WA</sub> дБ (A)	93	97
<b>Рівні звуку</b> <sup>83</sup>		
Рівень звукового тиску у вусі оператора, дБ (A)	80	84
<b>Рівні вібрації</b> <sup>84</sup>		
Ручка, м/с <sup>2</sup>	0,3	0,3
<b>Різальне обладнання</b>		
Висота зрізання, мм	20-75	20-75
Ширина зрізання, см	48	51
Стандартне лезо	Лезо для мульчування 597466510	Лезо для збирання 597466310
Додаткове лезо	Не застосовується	Лезо для мульчування 597466410
Ємність травозбірника, літрів	Не застосовується	65

\* Кількість обертів на хвилину

Схвалені акумулятори	Тип	Ємність батареї, ампер-години	Напруга, В	Вага, фунти/кг
BLi20	Літій-іонний	4,0	36	2,6/1,2
BLi200	Літій-іонний	5,2	36	2,8/1,3
BLi300	Літій-іонний	9,4	36	4,1 / 1,9
BLi550X	Літій-іонний	15,6	36	12,4 / 5,6
BLi950X	Літій-іонний	31,1	36	15,4/7,0

Схвалені зарядні пристрої для вказаних батарей, BLi	Вхідна напруга, В	Частота, Гц	Потужність, Вт
QC80	100-240	50-60	80
QC80F	12	0	80
QC330	100-240	50-60	330

<sup>82</sup> Випромінювання шуму в середовище, виміряне як звукова потужність (L<sub>WA</sub>), відповідає директиві ЄС 2000/14/ЄС.

<sup>83</sup> Заявлені дані про рівень шумового тиску мають стандартну статистичну розбіжність (стандартне відхилення) в 1,2 дБ(A).

<sup>84</sup> Заявлені дані щодо рівня вібрації мають стандартну статистичну розбіжність (стандартне відхилення) у 0,2 м/с<sup>2</sup>. Стандарт щодо вібрації EN 60335-2-77:2017 глава 20.105

Схвалені зарядні пристрої для вказаних батарей, BLi	Вхідна напруга, В	Частота, Гц	Потужність, Вт
QC500	100-240	50-60	500

**KEES VAN DER SPEK**  
TUINMACHINES ★ STOLWIJK

---

## Декларація відповідності ЄС

---

### Декларація відповідності ЄС

Ми, **Husqvarna AB**, SE-561 82 місто Хускварна, Швеція, телефон: +46-36-146500, заявляємо, що **газонокосарки Husqvarna LB 548i, LC 551iV** із серійними номерами від 2019 року й наступні, відповідають вимогам ДИРЕКТИВИ РАДИ ЄС:

- від 8 червня 2011 р. «Про обмеження використання деяких небезпечних речовин» **2011/65/EU**
- від 17 травня 2006 р. «стосовно механічного обладнання» **2006/42/EC**
- від 26 лютого 2014 р. «Про електромагнітну сумісність» **2014/30/EU**
- від 8 травня 2000 р. «Про випромінювання шуму до навколишнього середовища» **2000/14/EC**

Відомості стосовно шумовипромінювання див. у розділі «Технічні дані».

Застосовано такі стандарти:

**IEC 60335-1:2010, IEC 60335-2-77:2002, EN 60335-1:2012, EN 60335-2-77:2010 EN/IEC 62233:2008 EN 61000-6-3:2005 EN 61000-6-1:2005**

Якщо інше не зазначено, маютьесь на увазі останні опубліковані версії вищенаведених стандартів.

Уповноважений орган: **0404, RISE SMP Svensk Maskinprovning AB, Box 7035, SE-750 07 Uppsala** провів процедуру оцінки відповідності згідно з Додатком VI Директиви 2000/14/EC і видав сертифікат за номером:01/901/324 (LB 548i), 01/901/323 (LC 551iV)

Husqvarna, 2020-01-20



Клаес Лосдал (Claes Losdal), директор із питань розвитку / продукції для садівництва (уповноважений представник компанії Husqvarna AB, що відповідає за технічну документацію)

---

## 内容

---

简介.....	586	故障排除.....	597
安全性.....	587	运输、存放和废弃处理.....	597
安装.....	592	技术参数.....	598
操作.....	593	欧盟一致性声明.....	600
维护.....	595		

---

## 简介

---

### 产品说明

本产品是一款步行控制式草坪机。型号 LB 548i 使用 BioClip 刀片将草料切割成肥料。

型号 LC 551iV 将草料收集在集草袋中。拆下集草袋，以便从后方卸草。连接覆盖套件（附件），将草料切割成肥料。

### 产品概览

(图 1)

1. 控制面板
2. 电机制动手柄
3. 启动禁止器
4. 集草袋 (LC 551iV)
5. 后盖 (LC 551iV)
6. 安全钥匙
7. 把手旋钮 (LC 551iV)
8. 手柄调整杆 (LB 548i)
9. 电池盖
10. 修剪高度控制器 (LC 551iV)
11. 开/关按钮
12. SavE 按钮
13. SavE 指示灯
14. 电池指示灯
15. 速度级别指示灯
16. 减速按钮
17. 加速按钮
18. 错误 LED
19. 切割防护盖
20. 空气吸入口
21. 标牌
22. 驱动杆 (LC 551iV)
23. 电池充电器 (附件)
24. 电池 (附件)
25. 多电池 (附件)
26. 适配板 (附件)
27. 多电池适配器 (附件)
28. 说明书

### 预期用途

在私人花园中使用本产品割草。切勿将产品用于其他任务。

### 本产品上的符号

(图 2) **警告：**本产品可能会带来危险，会对操作员或其他人造成严重伤害或死亡。请多加小心，并正确使用本产品。

(图 3) 请认真阅读本操作手册，确保在充分理解各项说明之后再使用本产品。

(图 4) 确保人员和动物与工作区域保持安全距离。

(图 5) 注意抛掷物和反弹物。

(图 6) **警告：**使手和脚远离正在旋转的刀片。

(图 7) **警告：**使手和脚远离回转部件。

(图 8) 在执行维修或维护作业之前，先取出安全钥匙。

(图 9) **环境标记。**本产品或产品包装不属于生活垃圾。请在获得批准的电气和电子设备回收点进行回收。

(图 10) 本产品符合适用的 EC 指令。

(图 11) 本产品符合适用的欧亚关税同盟 (Eurasian Customs Union) 指令。

(图 12) 本产品符合适用的乌克兰认证 (UkrSEPRO) 指令。

(图 13) 本产品符合适用的 RCM 指令。仅适用于澳洲/新西兰

(图 14) 释放到环境中的噪音水平符合适用的 EC 指令。本产品的噪音释放数据在 *技术资料* 在第 598 页上中和标识上列出。

## IPX4 防水溅。 IPX4

(图 19) **启动过程：**按下开/关按钮，松开启动禁止器，向下推电机制动手柄。

(图 15) 释放电机制动手柄以停止。

(图 16) 慢速

(图 17) 快速

(图 18) 扫描码

**注意：**有关本产品上的其他符号/标识，请参阅适用于部分市场的认证要求。

## 本产品上的标签

(图 20)

手和脚远离正在旋转的刀片。

## 产品责任

如产品责任法律中所引用的，在以下情况下，我们对我们的产品所导致的损坏不承担责任：

- 未正确修理产品。
- 使用并非来自制造商或者未获得制造商批准的零部件修理产品。
- 产品具有并非来自制造商或者未获得制造商批准的附件。
- 未在获得批准的服务中心修理产品，或者并非由获得批准的机构修理产品。

## 安全性

### 安全定义

本手册使用了“警告”、“小心”和“注意”来指出特别重要的内容。



**警告：**当不遵守手册中的说明可能会给操作员或周围人员带来伤害或死亡风险时，会使用此标志。



**小心：**当不遵守手册中的说明可能会对产品、其他材料或附近区域造成损坏时，会使用此标志。

**注意：**用于提供特定状况下所需的更多信息。

## 一般安全须知



**警告：** 请在使用本产品前阅读下面的警告说明。

- 如果使用不当，或者如果您不小心，则本产品非常危险。如果未遵守一般安全须知，可能会导致伤害或死亡。
- 本产品在操作期间会产生电磁场。电磁场在某些情况下会干扰有源或无源医疗植入体。为了减少严重或致命性伤害风险，我们建议使用医疗植入体的人员在操作本产品之前事先咨询其医生及医疗植入体制造商。
- 请务必多加小心，并运用常识来判断。如果您不确定在特殊情况下如何操作本产品，请停止操作并与您的 Husqvarna 经销商联系。
- 切记，操作员将对涉及他人或其财产的事故负责。
- 请保持产品清洁。确保您可以清楚地阅读标记和标签。
- 切勿让不熟悉这些说明的儿童或人员使用本设备。当地法律可能会对操作员的年龄加以限制
- 若使用产品的人员身体能力或心智能力降低，务必对其进行监督。成人监督人必须始终在场。
- 当您感到疲倦、生病或受到酒精、麻药或药物的影响时，请

勿使用本产品。这些因素会对您的视觉、警惕性、协调能力或判断力产生不良影响。

- 如果本产品有缺陷，切勿使用。
- 如果本产品可能被他人改动过，请勿再进行改动或使用。

## 工作区安全



**警告：** 请在使用本产品前阅读下面的警告说明。

- 在使用本产品之前，请清除作业区域中的树枝、枝桠和石头等物体。
- 这些物体碰撞到切割设备会被弹出，导致人员受伤和物体损坏。确保附近人员和动物与本产品保持安全距离。
- 切勿在雾天、雨天、强风、严寒和闪电等恶劣天气下使用本产品。在恶劣天气下或潮湿地点使用本产品容易令人感到疲倦。恶劣天气会导致危险的情况，如湿滑的路面。
- 留意可能妨碍本产品安全运行的人员、物体和情况。
- 留意如树根、石头、枝桠、坑和沟渠等障碍。茂盛的草会隐藏障碍物。
- 在斜坡上割草可能非常危险。不要在陡坡上割草。不要在坡度超过 15° 的地面上使用本产品



- 在斜坡上换向时要格外小心。面对斜坡操作本产品。切勿上下移动。
- 在接近隐藏的和物体时请小心谨慎，以免阻碍视线。

## 作业安全



**警告：**请在使用本产品前阅读下面的警告说明。

- 本产品仅用于切割草坪。不允许用于其他任务。
- 使用个人防护装备。请参阅个人防护装备在第 590 页上。
- 确保您知道在紧急情况下如何快速停止电机。
- 请勿在雨天或潮湿的条件下操作本产品。如果水进入本产品，发生电击的风险会增加。
- 除非已正确连接刀片和所有盖板，否则请勿操作本产品。未正确连接的刀片可能松动，导致人身伤害。
- 确保刀片不会碰到石头和树根等物体。这会损坏刀片，并折弯电机轴。折弯的轴会导致严重振动，刀片松动的风险也很高。
- 如果刀片碰撞到任何异物或者发生振动，请立即关闭本产品。停止电机，向上拉起安全钥匙并取出电池。检查本产品是否损坏。维修损坏的地方或让授权的保养厂执行维修。
- 启动电机时，切勿将电机制动手柄永久连接至手柄。
- 将本产品放置在稳定、平坦的地面上，然后将其启动。确保刀片不会碰撞到地面或其他物体。
- 当您操作本产品时，请始终站在本产品的后面。
- 在操作本产品时使所有车轮接触地面，并将双手放在手柄上。手和脚远离正在旋转的刀片。
- 当电机启动后，请勿倾斜本产品。
- 向后拉动本产品时请小心谨慎。
- 切勿在电机启动后吊起本产品。如果必须吊起本产品，请先停止电机，向上拉起安全钥匙并取出电池。
- 在操作本产品时切勿倒退行走。
- 当您在没有草的区域移动时，例如由石砾、石头和沥青等铺成的道路，应停止电机。
- 请勿在电机启动后带着本产品奔跑。操作本产品时始终保持步行。
- 在更改修剪高度之前，请先停止电机运转。切勿在电机启动后进行调整。
- 切勿在电机启动后将本产品置于视线以外的地方。停止电机运转，确保切割设备不转动。

## 操作安全须知

### 个人防护装备



**警告：** 请在使用本产品前阅读下面的警告说明。

- 个人防护装备不能完全避免受伤，但当意外发生时，可降低伤害程度。请经销商协助您选择正确的防护装备。
- 穿上结实耐磨防滑靴或防滑鞋。请勿穿凉鞋或赤脚。
- 请穿上厚实的长裤。
- 必要时戴上保护手套，例如在安装、检查或清洁切割设备时。

### 产品上的安全装置



**警告：** 请在使用本产品前阅读下面的警告说明。

- 切勿在安全装置有故障的情况下使用产品。
- 定期检查安全装置。如果安全装置有故障，请联系您的 Husqvarna 保养厂。

### 检查切割防护盖

切割防护盖可降低本产品产生的振动，并降低被刀片割伤的风险。

- 检查切割防护盖，确保没有损坏，如裂缝。

## 安全钥匙

安全钥匙位于电池盖下方。安全钥匙用于连接为电机供电的电池。

### 检查安全钥匙

安全钥匙用于连接为电机供电的电池。

- 启动和停止电机。如果安全钥匙正常工作，则电机只有在钥匙处于安全锁中时才能启动。

### 电机制动手柄

电机制动手柄可停止电机。松开电机制动手柄后，电机停止。

要检查电机制动，启动电机，然后松开电机制动手柄。如果电机未在 3 秒钟内停止，应请经认可的 Husqvarna 保养厂调整电机制动。

(图 21)

### 检查启动禁止器

检查启动禁止器，确保它能防止电机运转。

1. 朝手柄杆方向推动电机制动手柄。启动禁止器停止移动。
2. 将启动禁止器推出。(图 22)
3. 松开启动禁止器，并确保它会返回到其初始位置。

## 电池安全



**警告：** 请在使用本产品前阅读下面的警告说明。

- 只能将 Husqvarna 充电电池用作相关 Husqvarna 产品的电源。为避免伤害，请勿用电池为其他装置供电。
- 请勿使用一次性电池。
- 有发生电击的危险。请勿将电池端子连接至钥匙、硬币、螺钉或其他金属上。这会导致电池短路。
- 请勿将异物放入电池的导气槽中。
- 使电池远离阳光、热量或明火。电池可能爆炸并导致烧伤和/或化学烧伤。
- 使电池远离雨水和潮湿条件。
- 使电池远离微波和高压条件。
- 请勿尝试拆卸或破坏电池。
- 如果电池出现泄漏，不要让电池酸液接触到身体或眼睛。如果接触了电池酸液，请先用大量清水清洗接触部位，然后送医治疗。
- 在  $-10^{\circ}\text{C}$  至  $40^{\circ}\text{C}$  之间的温度下使用电池。
- 切勿用水清洁电池或充电器。请参阅 *清洁电池和电池充电器* 在第 596 页上。
- 切勿使用存在缺陷或损坏的电池。

- 电池在存放时应远离金属物体，如钉子、硬币、珠宝首饰等。

## 充电器安全性



**警告：** 请在使用本产品前阅读下面的警告说明。

- 只能使用 QC 电池充电器为 Husqvarna 备用电池充电。
- 电击或短路风险。请勿将异物放置在充电器的导气槽中。切勿尝试拆卸电池充电器。切勿将充电器端子连接到金属物体上。使用认可的电源插座。
- 本产品 in 操作期间会产生电磁场。电磁场在某些情况下会干扰有源或无源医疗植入体。为了减少严重或致命性伤害风险，我们建议使用医疗植入体的人员在操作本产品之前事先咨询其医生及医疗植入体制造商。
- 定期确认电池充电器的电源线未受损且内部无裂纹。
- 切勿用电源线提起电池充电器。要从电源插座断开电池充电器，请拔出插头。切勿拽拉电源线。
- 确保所有电源线和延长电线远离水、油和锋利边缘。确保电线不会夹在门、栅栏或类似物体之间。否则会使充电器带电。
- 切勿用水清洁电池充电器。

- 8 周岁起的儿童和体力、感官或精神能力较差或缺乏经验和知识的成年人，可在得到监督或指导、了解如何安全使用电池充电器及其所涉及危险的情况下使用电池充电器。不得让儿童玩耍电池充电器。儿童不得在没有监督的情况下对设备进行清洁和维护。
- 切勿将非充电电池放入电池充电器中充电。
- 请勿在易燃材料或可能导致腐蚀的材料附近使用电池充电器。不要盖住电池充电器。如果出现冒烟或着火，拔出电池充电器插头。
- 切勿使用存在缺陷或损坏的电池充电器。
- 仅在室内空气流通较好且远离日光的位置为电池充电。请勿在潮湿条件下为电池充电。
- 正确执行维护工作将增加本产品的使用寿命，降低发生意外的风险。让经批准的保养厂执行专业维修。如需了解更多信息，请与离您最近的保养厂联系。
- 只能进行本说明书中说明的维护工作。
- 在使用切割设备时，请务必戴上耐磨的手套。刀片非常锋利，很容易割到手。
- 保持切割刃锋利并清洁，以获得最佳和最安全的性能。
- 让您的保养厂定期检查本产品，并进行必要的调整及修理。
- 更换已经损坏、磨损或破损的零件。
- 请遵守关于更换配件的说明。只能使用制造商提供的配件。
- 在不使用时，请将本产品、电池和电池充电器分开存放在干燥、上锁的室内区域。确保未获批准的儿童和人员无法取用本产品、电池或电池充电器。

## 维护安全须知



**警告：** 请在使用本产品前阅读下面的警告说明。

- 在对本产品进行维护之前，请先拆下安全钥匙。

## 安装

### 引言



**警告：** 请先仔细阅读和充分理解安全须知章节，再安装产品。

### 安装和拆卸多电池（附件）

1. 从电机盖上拆下 4 个橡胶盖和 4 颗螺丝。（图 23）

2. 将适配板放在电机盖上。
3. 使用 4 颗随附的螺丝固定适配板并将螺丝拧紧至扭矩为 5-6 Nm。（图 24）
4. 打开电池盖板。
5. 取出插槽 1 中的电池。（图 25）
6. 拆下密封止杆。（图 26）
7. 将电池适配器推入到电池盒中，直至听到咔嚓声。（图 27）

- 将电池适配器的电线穿过密封止动孔。用卡夹固定电线。(图 28)
- 将多电池安装到电池适配器上。
- 将多电池连接到电池适配器上。(图 29)
- 使用 3 根织物带将电池适配器的电线固定到手柄上。(图 30)
- 按照相反的顺序拆下多电池。



**警告：**将电线固定到手柄上时勿过于松弛。电线可能会从手柄上脱落，导致人身伤害。

## 装配手柄 (LC 551iV)

- 松开下部旋钮。
- 将旋钮转至本产品的左侧和右侧凹槽的下端。(图 31)
- 将手柄高度设置到 2 个可用位置中的其中一个。
- 朝手柄方向向上转动旋钮，直至它们停止并且听到咔嚓声。(图 32)
- 完全上紧旋钮。

## 装配手柄 (LB 548i)

- 从上手柄的板上拆下手柄螺母和垫片。
- 将上手柄在下手柄顶部放置到位。



**小心：**确保电线未被卡住或损坏。

- 装上垫片和手柄调整杆。(图 33)
- 当您在墙壁附近操作本产品时，请将手柄转到侧面以获得良好的操作位置。(图 34)

## 装配集草袋 (LC 551iV)

- 将集草袋框架连接到草袋，使袋子的硬侧在下面。将框架的手柄放在草袋顶部。(图 35)
- 将集草袋框架的底部连接到集草袋底部的凹槽中。
- 用夹子将草袋连接到集草袋框架上。(图 36)
- 抬起后盖。
- 将集草袋连接到机架顶部边缘上。
- 将集草袋的下部放入卸草通道中。(图 37)

## 装配地面覆盖插件 (LC 551iV 附件)

- 抬起后盖，拆下集草袋。
- 将地面覆盖插件插入到卸草通道中。(图 38)
- 使用地面覆盖套件中提供的覆盖刀片更换刀片。请参阅 *更换刀片* 在第 596 页上。

# 操作

## 引言



**警告：**在使用本产品之前，您必须阅读并理解安全章节。

## Husqvarna Connect

Husqvarna Connect 是一款可在移动设备上免费使用的应用程序。Husqvarna Connect 应用程序可为您的 Husqvarna 产品提供扩展功能：

- 扩展产品信息。
- 关于帮助、产品零件和保养的信息。

## 开始使用 Husqvarna Connect

- 将 Husqvarna Connect 应用程序下载至您的移动设备。
- 在 Husqvarna Connect 应用程序中注册。
- 执行 Husqvarna Connect 应用程序中的说明步骤以连接并注册产品。

## Husqvarna Fleet Services™

Husqvarna Fleet Services™ 是一款云解决方案，可以为商业车队经理提供所有产品的概览。Husqvarna Fleet Services™ 包含在 LC 551iV 的交货范围内。有关 Husqvarna Fleet Services™ 的更多信息，请访问 [www.husqvarna.com](http://www.husqvarna.com)。

## 准备传感器 (附件)

- 使用传感器钥匙打开传感器盖。(图 39)
- 拆下传感器。
- 将电线连接至传感器。传感器的 LED 灯亮起。(图 40)
- 下载 Husqvarna Fleet Services™ 应用程序。
- 登录到 Husqvarna Fleet Services™ 应用程序。
- 进行配对操作。请参阅 *在应用程序和产品之间进行配对操作* 在第 593 页上

## 在应用程序和产品之间进行配对操作

- 登录到 Husqvarna Fleet Services™ 应用程序。
- 在应用程序中选择您的产品。
- 使用移动设备扫描传感器后面的代码，以在应用程序中安装传感器。

**注意：**只需在应用程序和产品之间进行一次配对操作。

## 安装传感器

- 确保传感器已连接至 Husqvarna Fleet Services™ 应用程序。请参阅 *在应用程序和产品之间进行配对操作* 在第 593 页上。
- 在外壳插槽中的标记处钻 2 个孔。(图 41)

**注意：**确保孔的尺寸与传感器随附的铆钉尺寸相同。

- 使用一副钳子拆下传感器插槽上的外孔。(图 42)
- 在传感器插槽中的标记处钻 2 个孔。(图 43)
- 将传感器插槽与外壳插槽对准。(图 44)
- 用柳钉固定传感器插槽。
- 将传感器安装到传感器插槽中。将传感器上的白色标记与传感器插槽上的标记对准。(图 45)
- 关闭传感器的盖子，并用传感器钥匙将其锁定。确保 Husqvarna“H”的顶部朝向远离安全钥匙的一侧。(图 46)

## 将产品设置在工作位置 (LC 551iV)

- 将手柄提起至竖直位置。(图 47)
- 朝手柄方向向上转动旋钮，直至它们停止并且听到咔嚓声。(图 32)
- 完全上紧旋钮。

## 设置修剪高度

修剪高度有 6 个可调级别。

- 朝车轮方向推动修剪高度控制器，然后向后推动，以增加修剪高度。
- 朝车轮方向推动修剪高度控制器，然后向前推动，以减小修剪高度。(图 48)



**小心：**切勿将修剪高度设置得太低。如果草坪表面不平，刀片可能会碰到地面。

## 蓄电池



**警告：**在使用电池前，您必须阅读并理解安全章节。您还必须阅读并理解电池和电池充电器的说明书。

## 电池状态

指示灯显示剩余的电池电量以及电池是否出现任何问题。本产品关闭后，或者按下电池指示灯按钮之后，电池电量将显示 5 秒钟。出现错误时，电池上的警告符号将亮起。请参阅 **蓄电池** 在第 597 页上。

(图 49)

LED 灯	电池状态
所有指示灯亮起	充满电 (75-100%)
LED 1、LED 2、LED 3 亮起	电池充电至 50%-75%
LED 1、LED 2 亮起	电池充电至 25%-50%
LED 1 亮起	电池充电至 0%-25%。
LED 1 闪烁	电池电量耗尽。给电池充电。

## 为电池充电

在首次使用之前先要给电池充电。电池在交付给客户时仅充有 30% 的电量。

**注意：**将电池充电器连接至具有标牌上规定电压和频率的电源。

如果电池温度高于 50°C，则电池不会充电。电池充电器会降低电池的温度，然后再开始充电。

- 将电池充电器电源线的一端连接到电池充电器的插座。
- 将电池充电器电源线的另一端连接到具有接地连接的电源插座。电池充电器上的 LED 灯会闪烁一下绿灯。(图 50)
- 将电池放入充电器中。当电池正确连接到电池充电器时，充电器上的绿色指示灯会亮起。(图 51)
- 当电池上的所有 LED 灯亮起时，说明电池已充满电。给电池充电最长 24 小时。
- 要将电池充电器与电源插座断开，请拔下插头，不可拉拽电源线。
- 从电池充电器中取出电池。

## 电池充电状态

Husqvarna 锂离子电池可以在所有电量水平下充电或使用。电池不会受损。充满电的电池即使留在充电器中也不会损失电量。

指示灯	充电状态
LED 1 闪烁	0%-25%
LED 1 亮起，LED 2 闪烁	25%-50%
LED 1、LED 2 亮起，LED 3 闪烁	50%-75%
LED 1、LED 2、LED 3 亮起，LED 4 闪烁	75%-100%
LED 1、LED 2、LED 3、LED 4 亮起	充满电

## 为多电池充电

**注意：**如果这是您第一次使用，请为电池充电。新电池仅充电至 30%。

- 确保电池干燥。
- 将多电池连接至适配器。(图 52)
- 将适配器放入电池充电器中。
- 确保电池充电器上的绿色 LED 充电指示灯亮起。这意味着适配器和多电池连接正确。(图 53)
- 当电池上的所有 LED 灯亮起且适配器显示 100% 时，表明电池已充满电。(图 54)

适配器以 1% 为增量显示电量状态。充电开始时可能会出现小的偏差。

6. 要从电源插座断开电池充电器，请拔出插头。切勿拽拉线缆。
7. 从电池充电器中取出适配器。
8. 从适配器中取出多电池。

**注意：**有关更多信息，请参阅多电池和电池充电器手册。

## 启动产品

1. 提起电池盖。
2. 将充满电的电池装在电池盖下的 1 号电池槽中。为延长工作时间，请将第二个充满电的电池装在 2 号电池槽中。
3. 从安全钥匙架中断开安全钥匙。
4. 将安全钥匙推入到安全锁中。(图 55)
5. 站在本产品后面。
6. 按下控制板上的开/关按钮。显示屏亮起。
7. 松开启动禁止器。(图 22)
8. 朝手柄杆方向推动电机制动手柄。(图 56)

## 使用车轮上的驱动装置 (LC 551iV)

- 朝手柄杆方向拉动驱动杆，启动驱动装置。(图 57)
- 在控制板上按 + 和 -，驱动速度有 4 档可调。(图 58)
- 松开驱动杆以脱离驱动装置，例如，当您靠近障碍物时。

## 使用 SavE 功能

本产品具有电池节电功能 (SavE)，可提供更长的工作时间。

1. 按下 SavE 按钮 (A) 可启动该功能。显示屏上的 SavE 符号 (B) 亮起。
2. 再次按下 SavE 按钮可关闭该功能。显示屏上的 SavE 符号 (B) 熄灭。(图 59)

如果地面条件要求更高的输出，SavE 功能会自动停止。在地面条件允许时，SavE 功能会再次自动启动。

## 功率提升功能

当本产品切割长草或湿草时，电机会自动增加转速。为节省电池电量，当无需功率提升功能时，电机会自动返回至标准模式。

## 关停产品

如果您在 3 分钟内没有任何操作，本产品将自动停止。

1. 松开电机制动手柄以停止电机运转。(图 21)
2. 按下控制板上的开/关按钮。显示屏上的所有 LED 灯和符号均熄灭。(图 60)
3. 从安全锁中拔出安全钥匙，并将其放入安全钥匙架中。

## 为获得良好的作业效果

- 务必使用锐利的刀片。钝刀片会产生不规则的结果，且草的切割表面会变黄。此外，锐利的刀片比钝刀片更加节能。
- 修剪高度不得超过草长的  $\frac{1}{3}$ 。从较高的修剪高度开始切割。检查结果，将修剪高度降低到合适的水平。如果草非常长，请缓慢前进，必要时切割 2 次。
- 每次的修剪方向不应相同，以防止草坪上出现条纹。

## 在未连接集草袋或地面覆盖插件的情况下割草 (LC 551iV)

1. 抬起后盖，拆下集草袋。
2. 如果已连接地面覆盖插件和覆盖刀片，请将其卸下。
3. 在操作本产品之前，关闭后盖。

在操作本产品时，割下的草将在后盖下方排出。

## 维护

### 引言



**警告：**进行维护之前，您必须阅读并理解安全须知章节。

要对本产品执行任何保养和维修工作，都需要经过特殊培训。我们承诺提供专业的维修和保养。如果您的经销商不是保养代理商，请联系该经销商以获取离您最近的保养代理商的信息。

### 维修时间表

维护间隔在产品每天使用的情况下计算得出。如果产品并非每天使用，维护间隔会有所不同。

对于带有星号 (\*) 的维护作业，请参见操作安全须知在第 590 页上。

	每次使用	每月	每个季节
执行一般性检查	X		
清洁变速器盖。确保电机上没有草	X		
检查启动禁止器*	X		



	每次使用	每月	每个季节
确保本产品上的安全装置无故障*	X		
检查集草袋是否磨损或老化	X		
检查切割设备	X		
检查切割防护盖*	X		
检查电机制动手柄*	X		
确保开/关按钮工作正常且无故障	X		
检查电池是否损坏	X		
检查电池电量	X		
确保电池上的释放按钮工作正常并将电池锁入本产品中	X		
清洁空气吸入口。确保空气吸入口上没有草或污垢	X		
检查电池充电器是否损坏，确保其工作正常		X	
检查电池和本产品之间的连接。还要检查电池与电池充电器之间的连接			X

## 进行一般性检查

- 确保产品上的螺母和螺钉都已拧紧。
- 确保产品上的电缆不会损坏。

## 更换刀片

1. 使用木块卡住刀片。(图 61)
2. 拆下刀片螺栓、弹簧垫片 and 刀片。(图 62)
3. 检查刀片支架和刀片螺栓是否损坏。
  - a) 如果更换刀片或刀片支架，则还要更换刀片螺栓、弹簧垫片和摩擦垫片。
4. 检查电机轴，确保其未弯曲。
5. 安装新刀片时，确保弯曲端指向切割防护盖的方向。(图 63)
6. 将摩擦垫片和刀片紧靠在刀片支架上。(图 64)
7. 确保刀片与电机轴中心对准。(图 65)
8. 使用木块卡住刀片。(图 66)
9. 安装弹簧垫片，并拧紧螺栓至扭矩为 65-75 Nm。(图 67)
10. 用手拉住刀片旋转，确保刀片转动自如。



**警告：** 使用防护手套。刀片非常锋利，很容易割到手。

11. 启动本产品以测试刀片。如果刀片未正确安装，则本产品中存在振动，或切割结果令人不满意。

## 清洁产品

- 用清洁的干布擦净塑料部件。
- 请勿用水清洁本产品。水会进入电池或电机，并导致短路或损坏本产品。

- 不要使用高压清洗机清洁产品。
- 不要直接用水冲洗马达。
- 用刷子清除树叶、草和污垢。

## 清洁电池和电池充电器



**小心：** 切勿用水清洁电池或充电器。

- 在将电池放入电池充电器之前，确保电池和电池充电器清洁、干燥。
- 请使用压缩空气或软干布清洁电池端子。
- 请使用软干布清洁电池和电池充电器的表面。

## 润滑切割设备



**警告：** 为防止意外启动，向上拉安全钥匙，取下电池，然后等待至少 5 秒钟。



**警告：** 维护切割设备时，请戴上保护手套。刀片非常锋利，很容易割到手。

1. 检查切割设备是否有损坏或裂痕。务必更换损坏的切割设备。
2. 检查刀片，查看是否损坏或变钝。

**注意：** 每次磨利刀片后，必须对刀片进行平衡调整。让维修中心磨利、更换和平衡刀片。如果您撞到障碍物并导致本产品停止运行，请更换损坏的刀片。让维修中心评估刀片能否磨利还是必须更换。



## 故障排除

### 蓄电池

电池上的 LED	可能的故障	可能的步骤
绿色 LED 闪烁	电池电压过低	给电池充电。请参阅 <i>为电池充电在第 594 页上</i> 。
错误 LED 闪烁	电池电量不足	给电池充电。请参阅 <i>蓄电池在第 597 页上</i> 。
	工作环境温度过高或过低	在 -10°C 至 40°C 之间的温度下使用电池。
	过压	检查电源电压是否与产品标牌上的电压一致。  从电池充电器中取出电池。等待 5 秒钟，然后再次尝试为电池充电。如果问题仍然存在，请联系经授权的保养厂。
错误 LED 亮起	电池电压差过大 (1V)	请联系获得批准的保养厂。

### 电池充电器

电池充电器上的 LED	可能的故障	可能的步骤
错误 LED 闪烁	工作环境温度过高或过低	在 5°C 至 40°C 之间的温度下使用电池充电器。
错误 LED 亮起		请联系获得批准的保养厂

### 控制面板

错误代码 ( 闪烁次数 )	可能的故障	可能的步骤
1	变速器电机过热。	让本产品冷却。确保变速器上没有草。必要时清洁变速器盖。
5	电机速度下降过多，电机停止。	清洁刀盘并增加修剪高度。请参阅 <i>设置修剪高度在第 594 页上</i> 。如果故障仍然存在，请联系经授权的保养厂。
8	电池电量不足。	给电池充电。请参阅 <i>为电池充电在第 594 页上</i> 。
9	电池故障或电池无信号。	将电池正确装入本产品，并检查电池接头。如果电池上的故障 LED 闪烁，请参见 <i>蓄电池在第 594 页上</i> 。
10	电机控制过热。	停止电机并等待，直到电机冷却。
其它错误	如果出现其他错误，请拔下安全钥匙，取下电池，并联系经授权的保养厂。	

## 运输、存放和废弃处理

### 介绍



**警告：** 为防止运输过程中意外启动，向上拉安全钥匙，取下电池，然后等待至少 5 秒钟。

### 将产品置于运输位置 (LC 551iV)

1. 松开下部旋钮。
2. 将旋钮转至本产品的左侧和右侧凹槽的下端。(图 31)
3. 向前折叠手柄。(图 68)
4. 拆下集草袋。

## 运输

- 危险品法律要求适用于本产品所含的锂离子电池。
- 对于商业运输，必须遵守包装和标签上的特殊要求。
- 当您准备运输产品时，请确保遵守有关危险品的法规。当地法规可能适用。
- 运输之前务必取下电池。
- 将胶带贴在电池接头上，并确保在运输过程中电池无法移动。
- 运输期间请固定好本产品。

## 存放

- 进行存放之前务必取下电池。
- 为了防止意外事故，请确保在存放期间电池未连接到本产品。
- 将电池充电器存放于密闭干燥的位置。
- 将电池和电池充电器存放于干燥、无湿气或结霜的位置。
- 在存储期间从电池充电器中断开电池的连接。
- 不要将电池存放在容易积聚静电的位置。严禁将电池存放在金属盒中。

- 电池存放温度应介于 5°C 至 25°C 之间，并避免阳光直射。
- 电池充电器存放温度应介于 5°C 至 45°C 之间，并避免阳光直射。
- 确保电池在长期存放之前充电至 30% - 50% 电量。
- 将本产品、电池和电池充电器存放在上锁区域，防止儿童和未经批准的人取用。
- 在长期存储本产品之前，应清洁本产品并进行全面的保养。

## 废弃处理

本产品或其包装上的符号指示不能将本产品当作生活垃圾进行处理。必须将其送交相应的回收站以回收利用电气和电子设备。

对本产品进行不当的废物管理可能会对环境和人身造成负面影响，请确保正确处理本产品，避免发生此类问题。有关回收本产品的详细信息，请与当地相关管理部门、生活垃圾服务机构或销售本产品的商店联系。

(图 69)

## 技术参数

### 技术资料

	LB 548I	LC 551IV
<b>切割电机</b>		
电机类型	BLDC (无刷型) 36V	BLDC (无刷型) 36V
电机转速 - SavE, rpm*	2600	2600
电机转速 - 标称, rpm*	3000	3000
电机转速 - 高负载, rpm*	3300	3300
电机输出 - 最大, kW	1.8	1.8
电机输出 - 标称, kW	1.5	1.5
<b>驱动马达</b>		
电机输出 - 标称, kW	不适用	0.3
自行移动速度, km/h	不适用	3.0-5.0
速度调节杆	不适用	4
<b>重量</b>		
不含电池时的重量, kg	31	41
<b>电池</b>		
电池类型	Husqvarna 电池系列	Husqvarna 电池系列
<b>电池工作时间</b>		
电池工作时间, 分钟, (空运转) 启用 SavE 模式, 使用一块 Husqvarna 5.2 Ah 电池 (BLi200)。	40	30

	LB 548i	LC 551iV
电池工作时间, 分钟, (空运转) 启用标准模式, 使用一块 Husqvarna 5.2 Ah 电池 (BLi200)。	30	20
<b>噪音排放</b> <sup>85</sup>		
声功率级 (测量值), dB (A)	93	97
声能级, 保证值 L <sub>WA</sub> dB (A)	93	97
<b>声级</b> <sup>86</sup>		
操作员耳旁的声压级, dB (A)	80	84
<b>振动水平</b> <sup>87</sup>		
手柄, m/s <sup>2</sup>	0.3	0.3
<b>切割设备</b>		
修剪高度, mm	20-75	20-75
修剪宽度, cm	48	51
刀片标准	覆盖刀片 597466510	收集刀片 597466310
刀片附件	不适用	覆盖刀片 597466410
集草袋容量, l	不适用	65

\*每分钟圈数

认可电池	类型	电池容量, Ah	电压, V	重量, lb/kg
BLi20	锂离子电池	4.0	36	2.6/1.2
BLi200	锂离子电池	5.2	36	2.8/1.3
BLi300	锂离子电池	9.4	36	4.1/1.9
BLi550X	锂离子电池	15.6	36	12.4/5.6
BLi950X	锂离子电池	31.1	36	15.4/7.0

指定 BLi 电池允许使用的充电器	输入电压, V	频率, Hz	功率 (W)
QC80	100-240	50-60	80
QC80F	12	0	80
QC330	100-240	50-60	330
QC500	100-240	50-60	500

<sup>85</sup> 环境噪音排放以声功率 (L<sub>WA</sub>) 量测, 符合 EC 指令 2000/14/EC 的要求。

<sup>86</sup> 噪音音压级的上报数据中具有一个 1.2 dB(A) 的典型统计离差 (标准偏差)。

<sup>87</sup> 等效振动水平的报告数据中具有 0.2 m/s<sup>2</sup> 的典型统计离差 (标准偏差)。振动标准 EN 60335-2-77:2017 第 20.105 章

---

## 欧盟一致性声明

---

### 欧盟一致性声明

Husqvarna AB, SE-561 82 Huskvarna, Sweden, 电话 :

+46-36-146500, 声明自 2019 年和以后的**草坪机**

Husqvarna LB 548i, LC 551iV 符合理事会指令的要求 :

- 2011 年 6 月 8 日“关于限制使用某些有害物质”的指令  
**2011/65/EU**
- 2006 年 5 月 17 日“关于机械”的指令 **2006/42/EC**。
- 2014 年 2 月 26 日“关于电磁兼容性”的指令  
**2014/30/EU**
- 2000 年 5 月 8 日“关于环境噪音释放”的指令  
**2000/14/EC**

关于噪音释放信息, 请参阅技术资料。

适用标准如下 :

**IEC 60335-1:2010, IEC 60335-2-77:2002, EN  
60335-1:2012, EN 60335-2-77:2010 EN/IEC  
62233:2008 EN 61000-6-3:2005 EN 61000-6-1:2005**

如果未做其他说明, 那么以上所列各项标准皆为最新发布  
的版本。

认证机构 : **0404, RISE SMP Svensk Maskinprovning  
AB, Box 7035, SE-750 07 Uppsala** 已按照 2000/14/EC  
指令附录 VI 执行了合规性评估, 并颁发了如下编号的证  
书 : 01/901/324 (LB 548i), 01/901/323 (LC 551iV)

Huskvarna, 2020-01-20



**KEES VAN DER SPEK**  
TUINMACHINES ★ STOLWIJK

Claes Losdal, 开发经理/园林产品 ( Husqvarna AB 授权  
代表, 负责技术文档编制事务 )

**KEES VAN DER SPEK**  
TUINMACHINES ★ STOLWIJK

**KEES VAN DER SPEK**  
TUINMACHINES ★ STOLWIJK

**KEES VAN DER SPEK**  
TUINMACHINES ★ STOLWIJK

# Husqvarna®

KEES VAN DER SPEK  
TUINMACHINES \* STOLWIJK  
[www.husqvarna.com](http://www.husqvarna.com)

Original instructions  
Оригинални инструкции  
Původní pokyny  
Originale instruktioner  
Originale anweisungen  
Αρχικές οδηγίες  
Instrucciones originales  
Originaaljuhend  
Alkuperäiset ohjeet  
Instructions d'origine  
Originalne upute  
Eredeti útmutatás  
Istruzioni originali  
取扱説明書原本  
Originalios instrukcijos

Lietošanas pamācība  
Originale instructies  
Originale instruksjoner  
Oryginalne instrukcje  
Instruções originais  
Instruccjuni inițiale  
Оригинальные инструкции  
Pôvodné pokyny  
Izvirna navodila  
Originalna uputstva  
Bruksanvisning i original  
Orijinal talimatlar  
Оригинальні інструкції  
原始说明

1141517-38



2019-12-19