

HUSQVARNA - SPARE PARTS CATALOG

CHAIN SAWS: HUSQVARNA 562 XP[®]

KEES VAN DER SPEK
TUINMACHINES ★ STOLWIJK

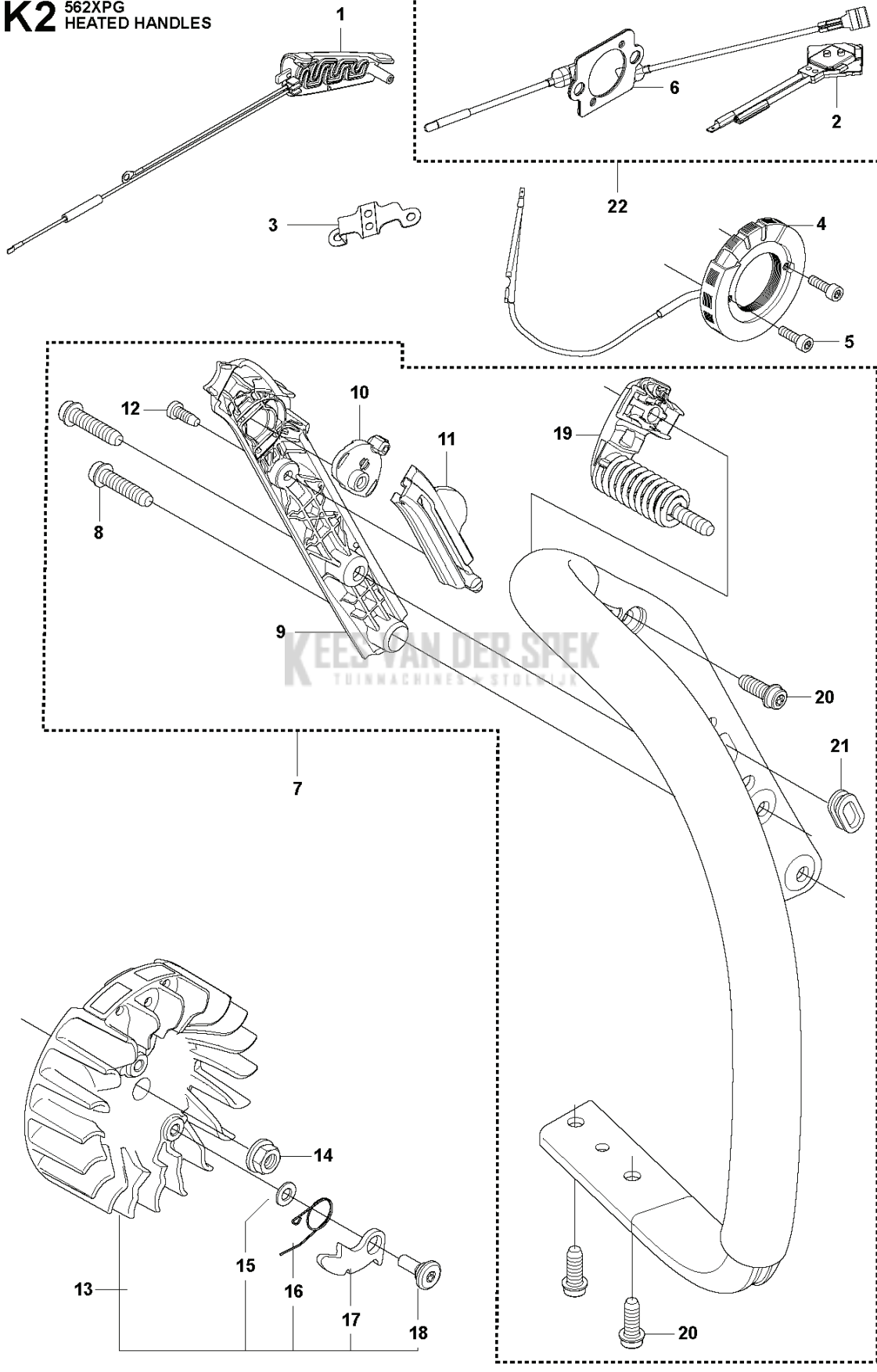
Sparepartslist

SPAREPARTSLIST

CHAIN SAWS
TUINMACHINES * STOLWIJK

HUSQVARNA 562 XP®

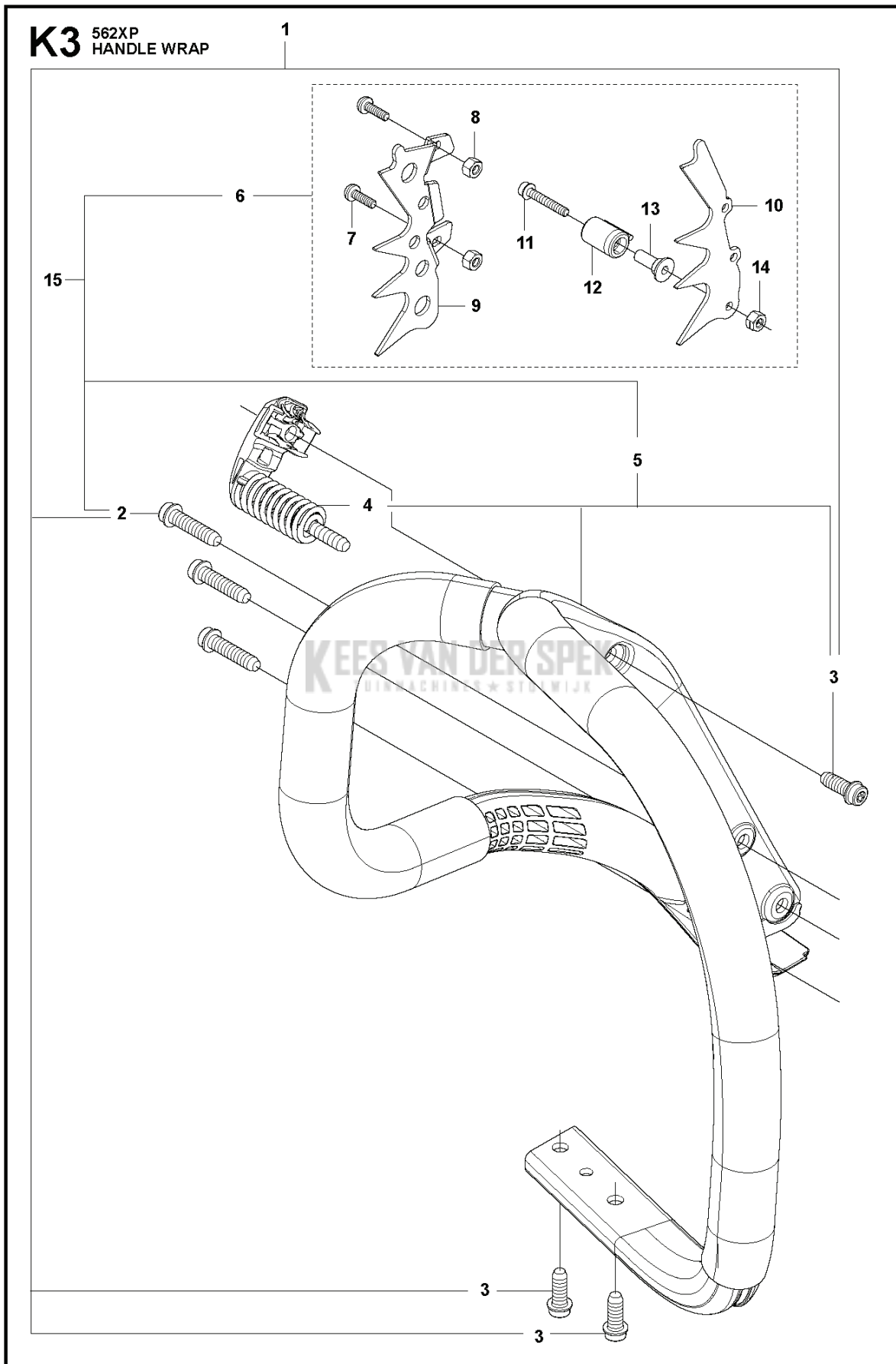
K2 562XPG
HEATED HANDLES



CHAIN SAWS

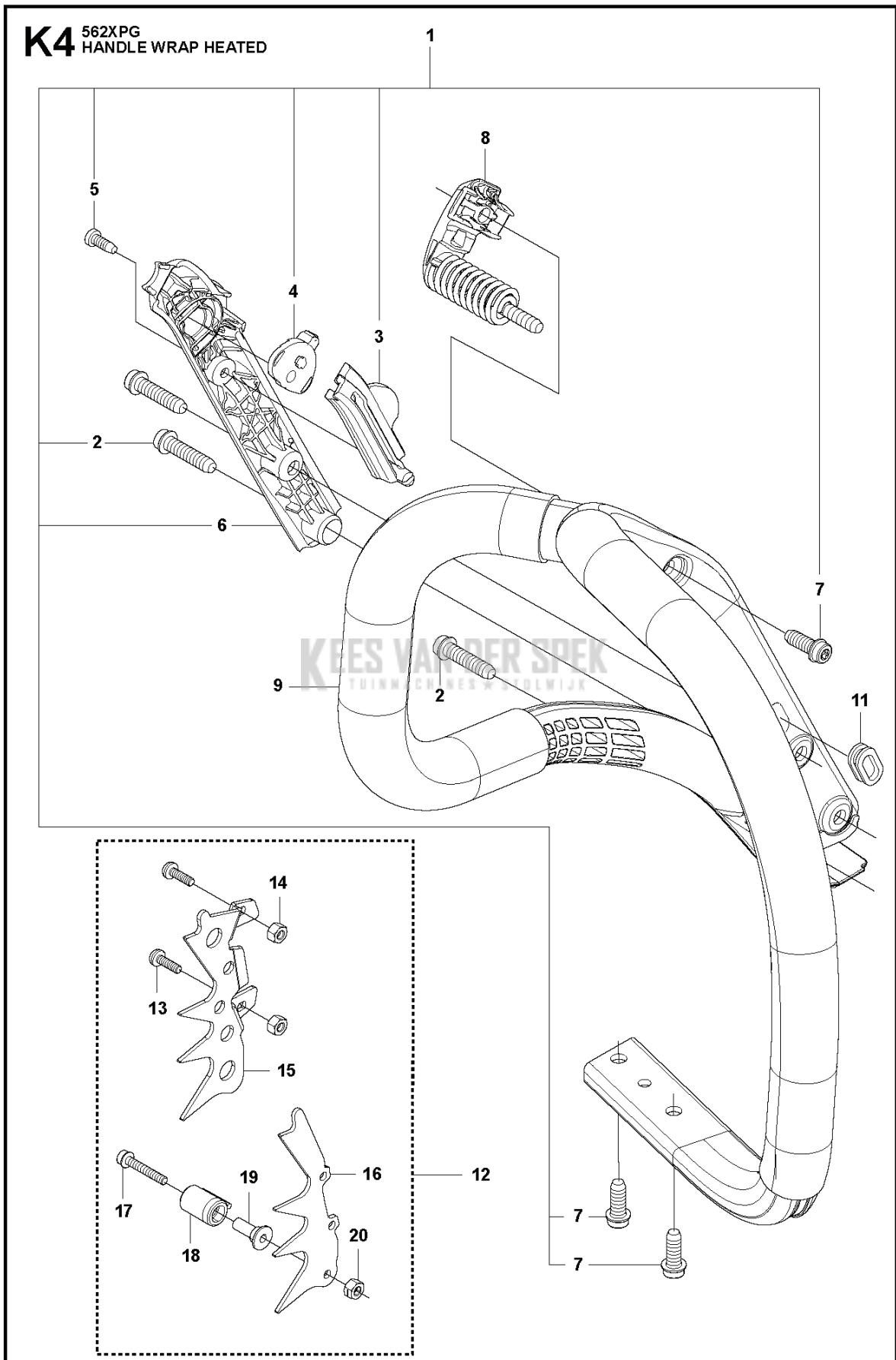
PXM_REF	PXM_PARTNO	DESCRIPTION	PXM_REMARK	QTY
1	522741901	HANDGREEPINZETSTUK		1
2	578864601	THERMOSTAAT COMPL.		1 22
3	537210801	HOUDER		1
4	522611401	GENERATORSTATOR		1
5	526818102	SCHROEF ITXSCM		2
6	588168602	FOLIE-ELEMENT		1 22
7	575388904	VOORSTE BEUGEL		1
8	525798103	SCREW ITXSCFT		2 7
9	505157403	DEKSEL		1 7
10	537252501	CONTACTPLAAT		1 7
11	510097801	CONTACTPLAAT		1 7
12	525887402	SCREW CITXPANT		1 7
13	504872404	VLEGGWIEL COMPL.		1
14	503220401	MOER		1
15	503230042	RING		2 13
16	501673501	VEER		2 13
17	501673201	PAL		2 13
18	506006901	SCREW		2 13
19	505129705	AV ELEMENT		1 7
20	525798101	SCREW ITXSCFT		3 7
21	537088301	DOORVOER		1 7
22	582829601	THERMOSTAAT COMPL.	s/n up to 20164199999	1

KEES VAN DER SPEK
TUINMACHINES ★ STOLWIJK



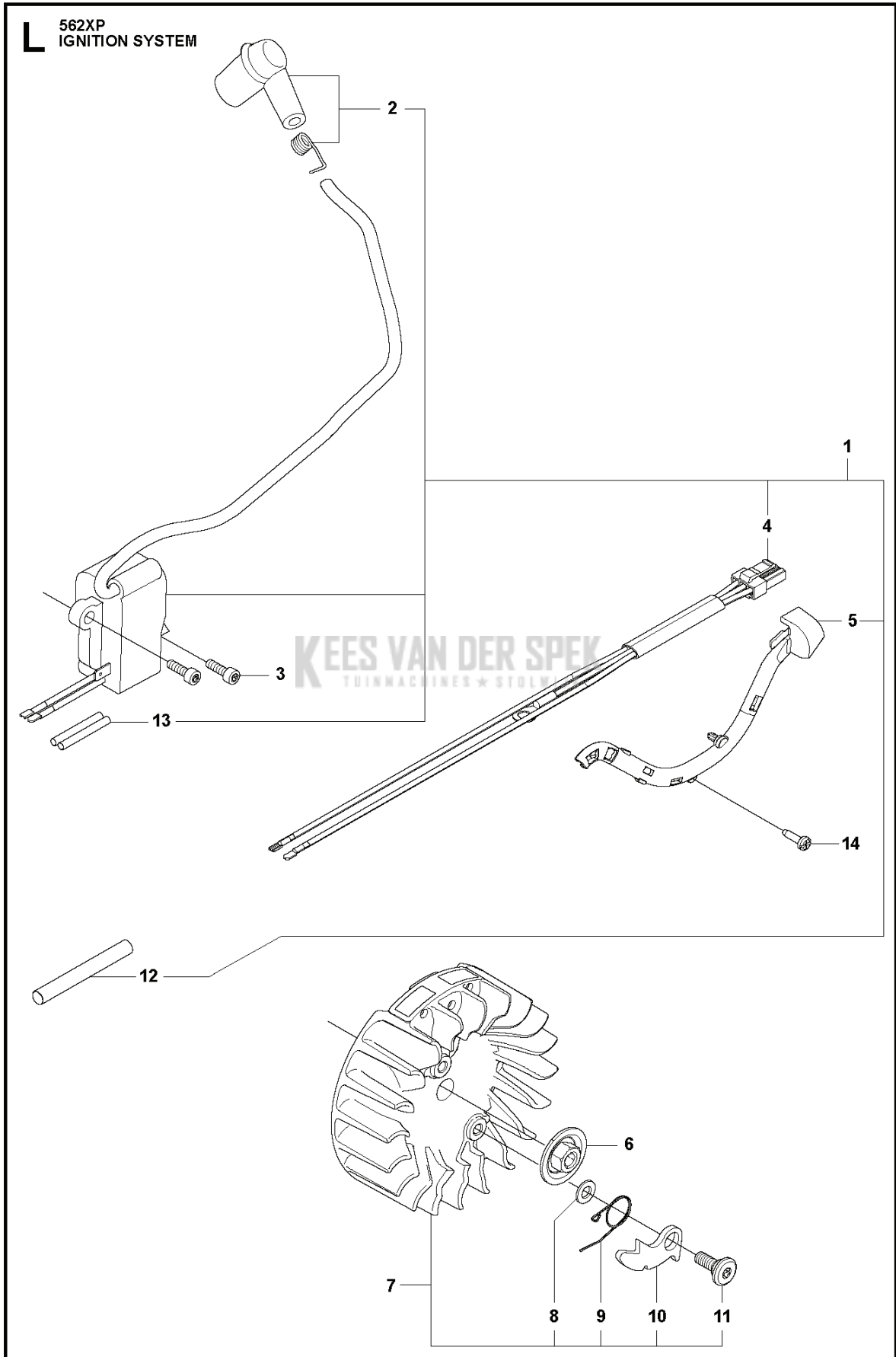
CHAIN SAWS

PXM_REF	PXM_PARTNO	DESCRIPTION	PXM_REMARK	QTY
1	576945104	SCREW KIT	Only screws	1
2	525798103	SCREW ITXSCFT		3 1,15
3	525798101	SCREW ITXSCFT		1 1
4	505129705	AV ELEMENT		1 5
5	505156903	VOORSTEBEUGEL COMPL.	incl. 5743863-01	1 15
6	576873004	SPIKE		1 15
7	575793501	SCHROEF ITXPANM		2 6,1
8	503222401	LOCK NUT		2 6
9	577976301	SPIKE OUTER	Spike Wrap	1 6
10	577976101	SPIKE	Spike Wrap	1 6
11	525755103	SCHROEF ITXSCFM		1 6
12	537024401	SLUITBESCHERMING		1 6
13	537089201	KETTINGVANGER		1 6
14	503222401	LOCK NUT		1 6
15	588966401	HENDEL		1



CHAIN SAWS

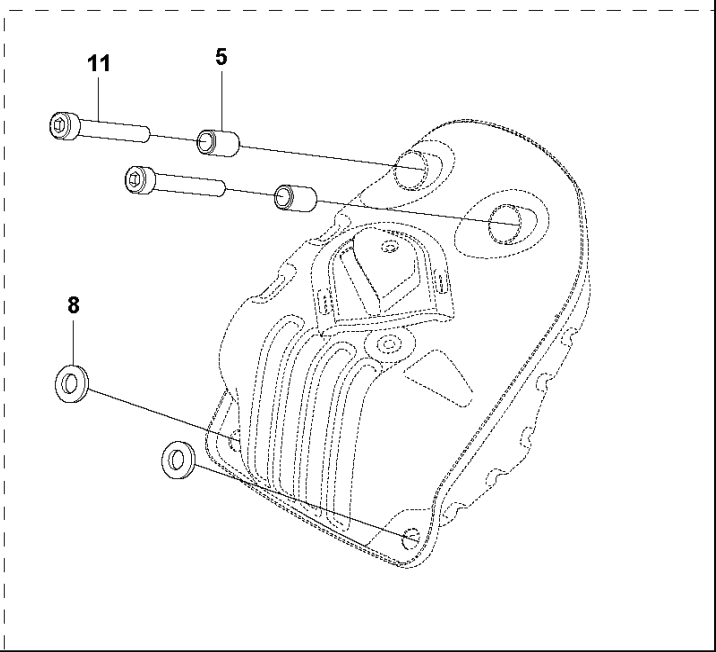
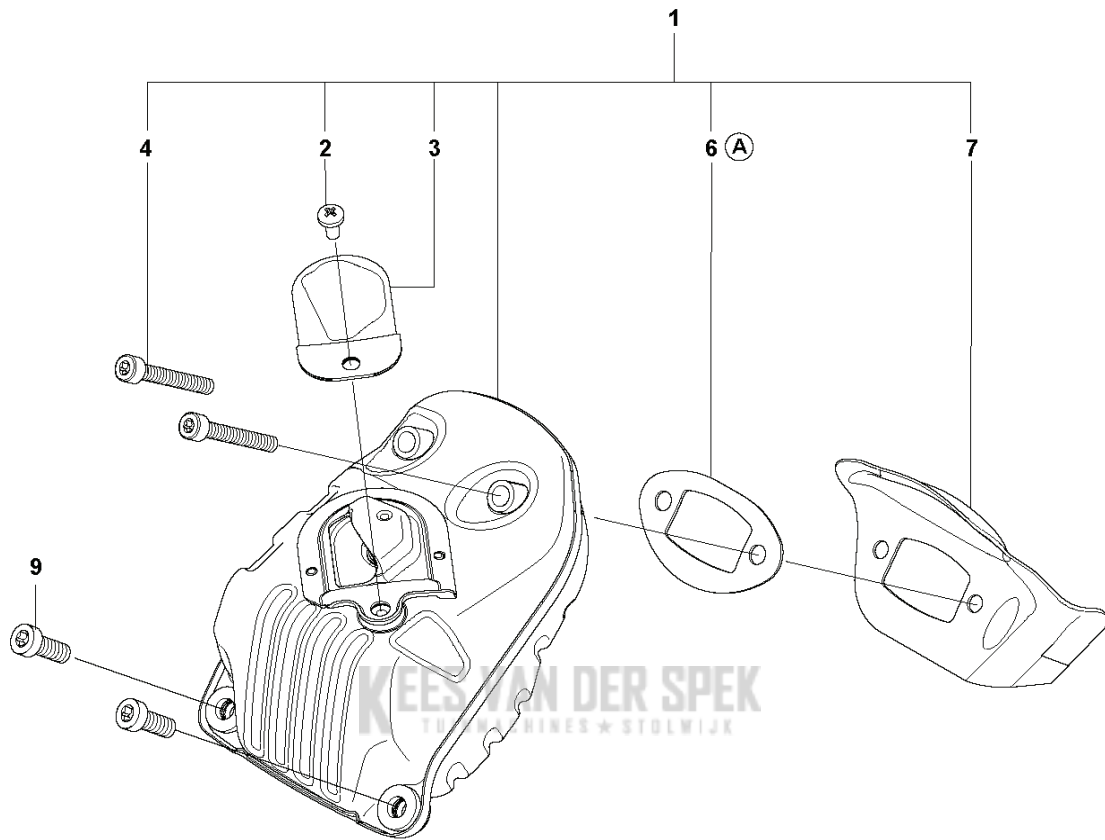
PXM_REF	PXM_PARTNO	DESCRIPTION	PXM_REMARK	QTY
1	576945105	HENDEL KIT		1
2	525798103	SCREW ITXSCFT		3 1
3	510097801	CONTACTPLAAT		1 1
4	537252501	CONTACTPLAAT		1 1
5	525887401	SCREW CITXPANT		1 1
6	505157403	DEKSEL		1 1
7	525798101	SCREW ITXSCFT		2 1
8	505129705	AV ELEMENT		1 9
9	505156904	VOORSTEBEUGEL COMPL.	incl. 5743863-01	1
11	537088301	DOORVOER		1 9
12	576873004	SPIKE		1
13	575793501	SCHROEF ITXPANM		2 12.1
14	503222401	LOCK NUT		2 12
15	577976301	SPIKE OUTER		1 12
16	577976101	SPIKE		1 12
17	525755103	SCHROEF ITXSCFM		1 12
18	537024401	SLUTBESCHERMING		1 12
19	537089201	KETTINGVANGER		1 12
20	503222401	LOCK NUT		1 12



CHAIN SAWS

PXM_REF	PXM_PARTNO	DESCRIPTION	PXM_REMARK	QTY	
1	522795106	ONTSTEKING MODULE COMPL	s/n up to - 20121401172 (14MHz)	1	
1	581723402	ONTSTEKING MODULE COMPL	s/n from 20121401173 - (8MHz)	1	
2	501485404	SPARK PLUG CAP ASSY		1	1
3	525755203	SCHROEF ITXSCFM		2	
4	575430601	BEKABELING COMPL.	s/n up to - 20121401172 (14MHz)	1	
4	577967601	BEKABELING COMPL.	s/n from 20121401173 - (8MHz)	1	1
5	505178201	KABELHOUDER		1	1
6	585321801	MOER		1	
7	504872403	VLIEGWIEL COMPL.	XP	1	
7	504872404	VLIEGWIEL COMPL.	XPG	1	
8	503230042	RING		2	
9	501673501	VEER		2	
10	501673201	PAL		2	
11	506006901	SCREW		2	
12	504043505	KABELBESCHERMING		1	1
13	503238501	SHRINKAGE HOSE		2	1
14	525887401	SCREW CITXPANT		1	

F 562XP
MUFFLER

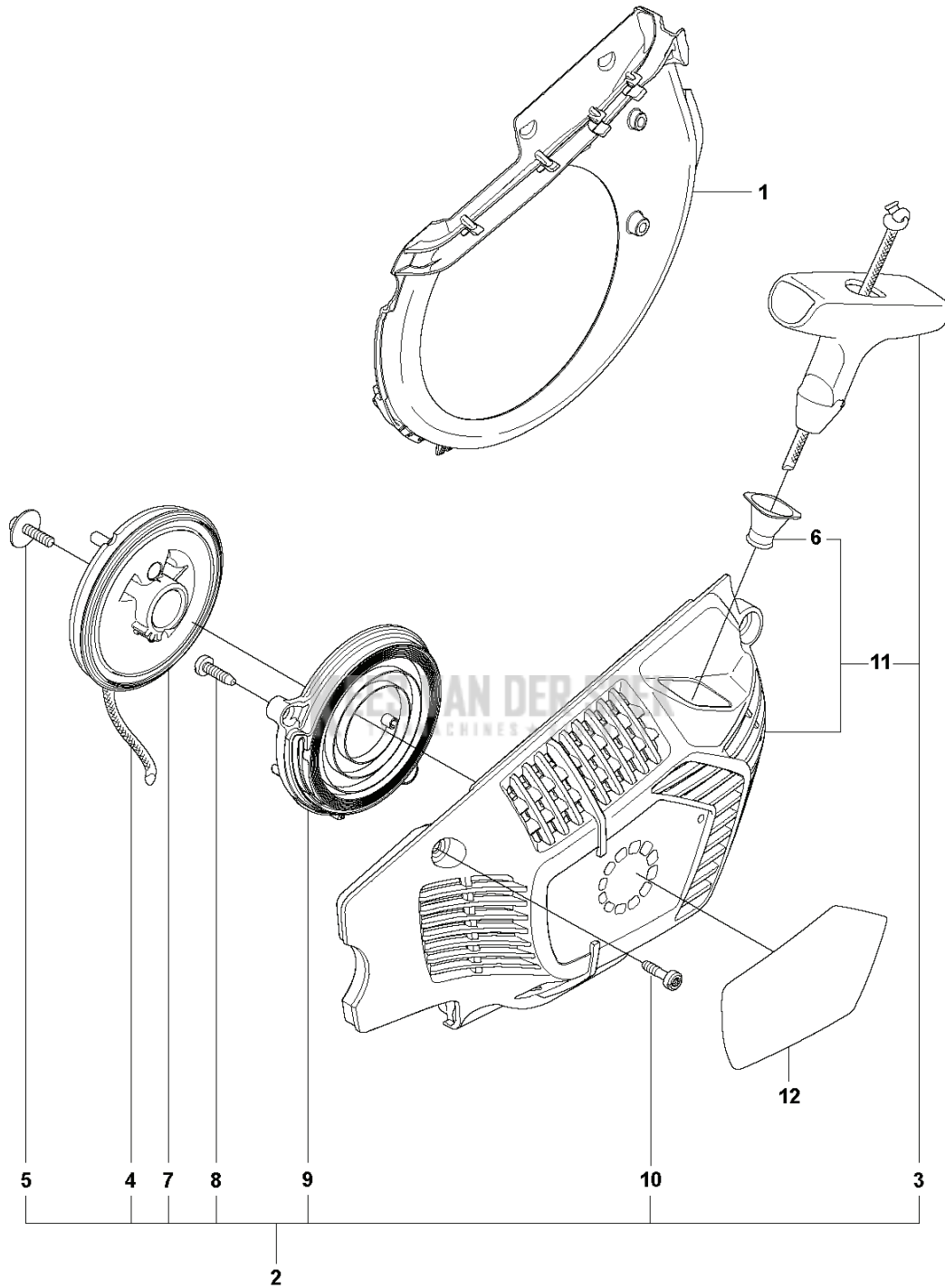


10
(A) Set of gaskets

CHAIN SAWS

PXM_REF	PXM_PARTNO	DESCRIPTION	PXM_REMARK	QTY
1	581914802	GELUIDDEMPERSET		1
2	724128759	SCHROEF CRPANM		1 1
3	505171301	VONKENVANGER		1 1
4	525825106	SCHROEF ITXSCM	s/n from 20133400001 -	2 1
5	577656301	HULS	s/n up to - 20133399999	2
6	581918501	PAKKING		1 1, 10
7	585178701	WARMTEDEFLECTOR		1 1
8	577902201	RING	s/n up to - 20133399999	2
9	525762501	SCHROEF ITXSCM		2
10	575270003	PAKKINGSET	A=set of gaskets	1
11	725537655	SCHROEF IHSCM	s/n up to - 20133399999	2 1

M 562XP
STARTER

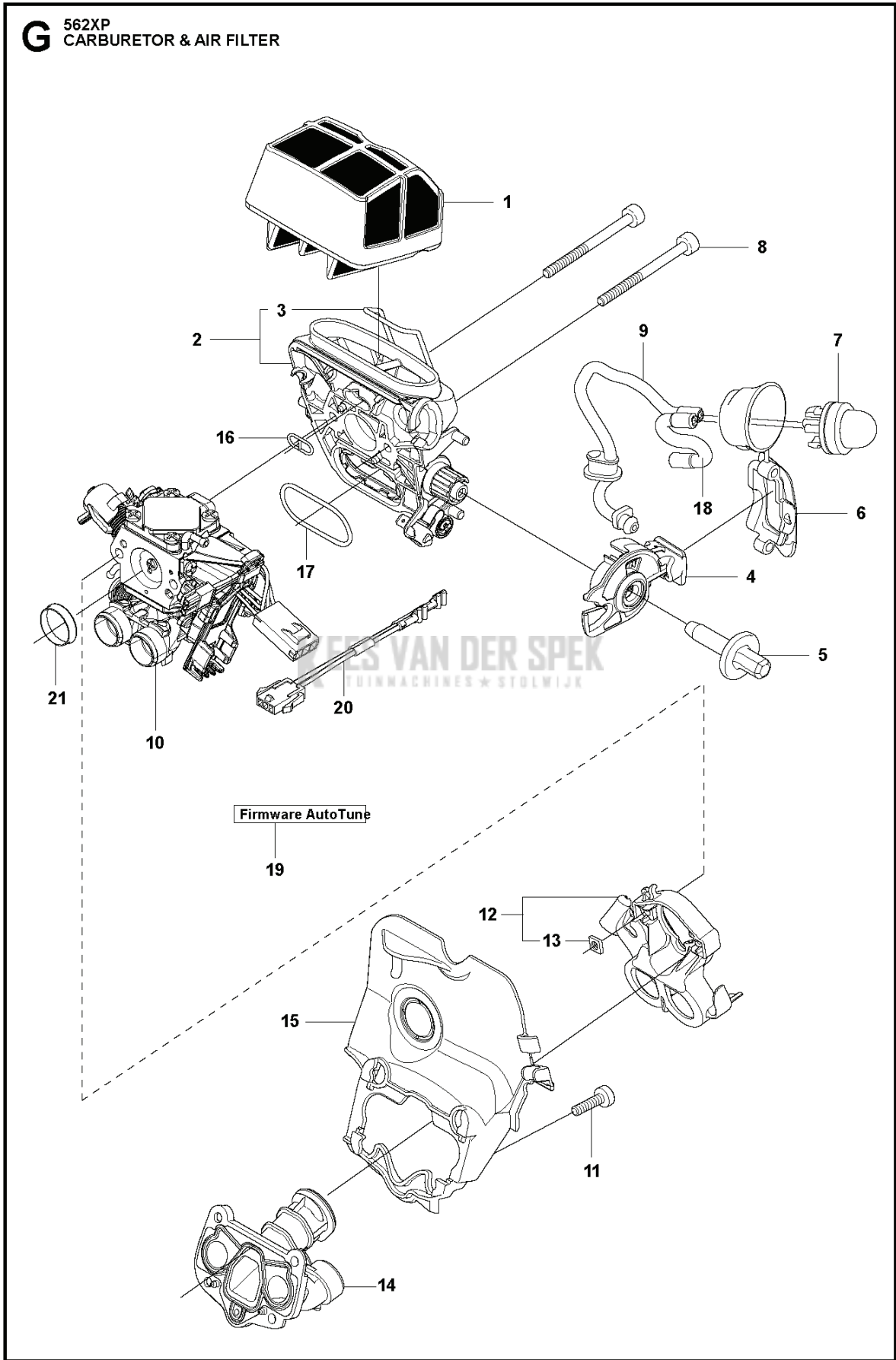


CHAIN SAWS

PXM_REF	PXM_PARTNO	DESCRIPTION	PXM_REMARK	QTY
1	505157501	LUCHTLEIDING		1
2	505159204	STARTER COMPL.		1
3	537232501	STARTHANDVAT		1 2
4	505305125	STARTER CORD		1 2
5	576356601	SCREW ITX SCT		1 2
6	537283201	HULS		1 2, 11
7	505158101	KOORDSCHIJF COMPL.		1 2
8	525887401	SCREW CITXPANT		2 2
9	505157902	VEERCASSETTE COMPL.		1 2
10	525824501	SCHROEF CITXPANMO		4 2
11	505159102	STARTERHUIS		1 2
12	523035605	PLAATJE	XP	1
12	523035606	PLAATJE	XPG	1

KEES VAN DER SPEK
TUINMACHINES ★ STOLWIJK

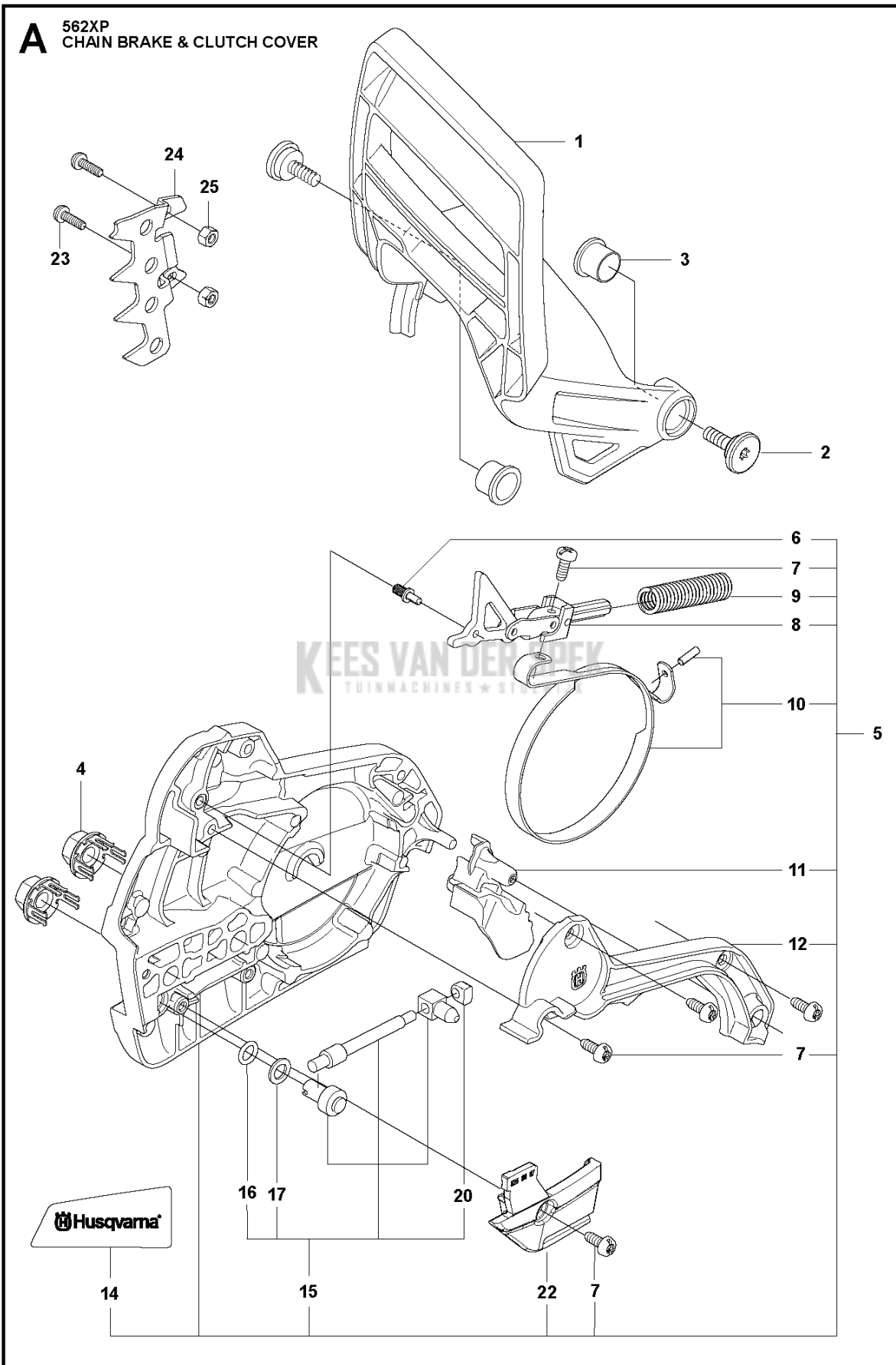
G 562XP
CARBURETOR & AIR FILTER



CHAIN SAWS

PXM_REF	PXM_PARTNO	DESCRIPTION	PXM_REMARK	QTY
1	522675001	LUCHTFILTERCONSTRUCTIE COMPL.	NYLON 80 µm black	1
1	522675002	LUCHTFILTERCONSTRUCTIE COMPL.	NYLON 44 µm yellow	1
1	522675003	LUCHTFILTERCONSTRUCTIE COMPL.	FELT white	1
1	522675004	LUCHTFILTERCONSTRUCTIE COMPL.	NYLON 25 µm orange	1
2	525397905	FILTERHOUDER COMPL.	XP	1
2	525397906	FILTERHOUDER COMPL.	XPG	1
3	505176901	SLUITING		1 2
4	510017202	CHOKEHENDEL COMPL.		1
5	505156201	SCREW		1
6	525588101	AFDICHTING		1
7	503936601	PURGE		1
8	574353503	SCHROEF ITXSCM		2
9	587645404	ONTLUCHTINGSSLANG	s/n from 20154800001	1 9
9	589357101	ONTLUCHTINGSSLANG	s/n up to - 20154799999	1
10	501463305	CARBURETTOR KIT	ZAMA140058A	1
10	579194101	CARBURATEUR	s/n up to - 20121401172 (ZAMA EL44)	1
11	526818101	SCHROEF ITXSCM		4
12	505165202	FLENS		1
13	503226503	MOER 4-KANT		2 12
14	583964103	INLAATPIJP		1
14	583964104	INLAATPIJP	Cold resistant	1
15	520290901	INTERMEDIATE WALL		1
16	525619201	AFDICHTING		1
17	525619001	AFDICHTING		1
18	523056801	BRANDSTOFSLANG		1
19	.	TBD	Download from your local supportsite	0
20	577536401	BEKABELING COMPL.	s/n from 20121401173 -	1
21	582025101	STEUNHULS		1

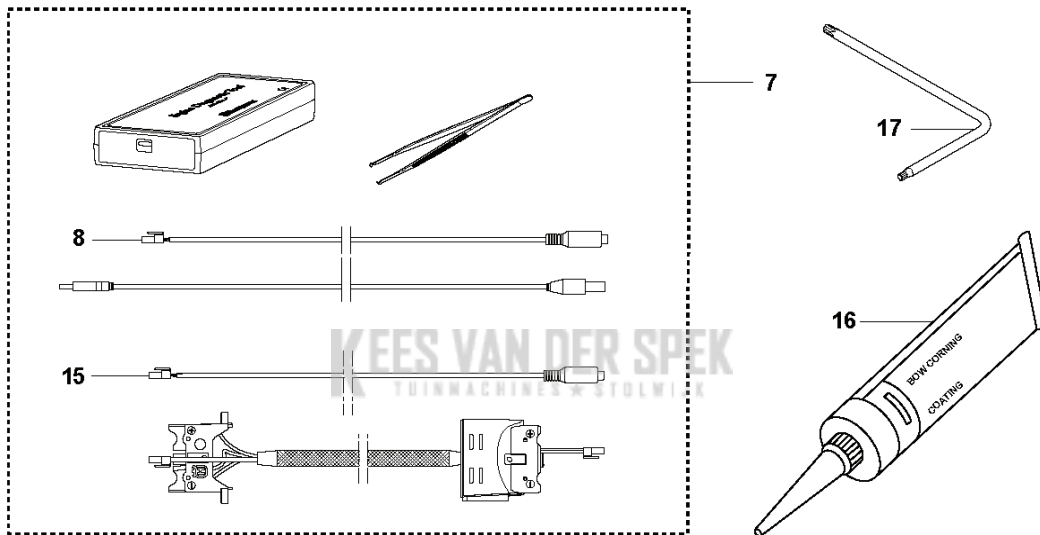
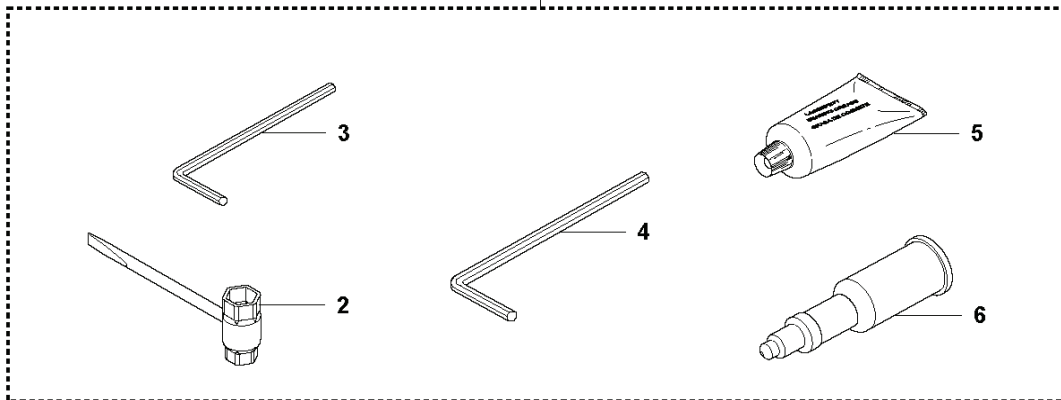
A 562XP
CHAIN BRAKE & CLUTCH COVER



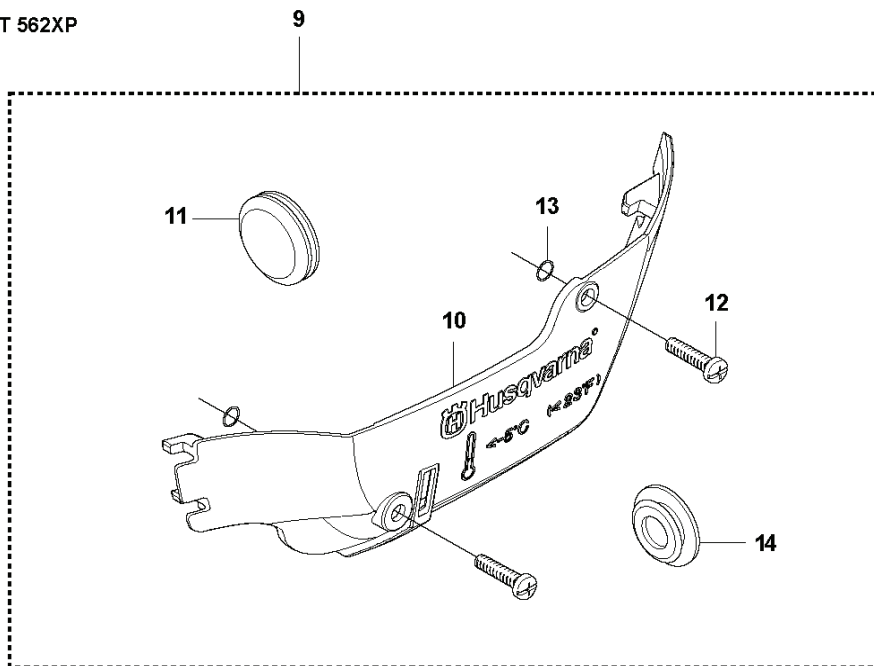
CHAIN SAWS

PXM_REF	PXM_PARTNO	DESCRIPTION	PXM_REMARK	QTY
1	525250602	HANDBESCHERMING		1
2	526834501	SCREW		2
3	577780201	BUSHING		2
4	505197301	MOER		2
5	525743303	KOPPELINGSKAP COMPL.		1
6	503751801	PEN		1 5
7	526221801	SCREW CITXPANT		5 5
8	505199301	KNIEGEWRICHT COMPL.		1 5
9	503908301	REMVVEER		1 5
10	505199502	REMBAND COMPL.		1 5
11	505201601	BESCHERMEN		1 5
12	505199701	DEKSEL		1 5
14	523058001	PLAATJE		1 5
15	575260402	KETTINGSPANSET		1 5
16	740480702	O-RING		1 15
17	503230063	RING		1 15
20	537017401	LAGERHULS		1 15
22	525388701	KETTINGGELEIDER		1 5
23	575793501	SCHROEF ITXPANM		2
24	577975201	SPIKE OUTER		1
25	503222401	LOCK NUT		2

P 562XP
ACCESSORIES



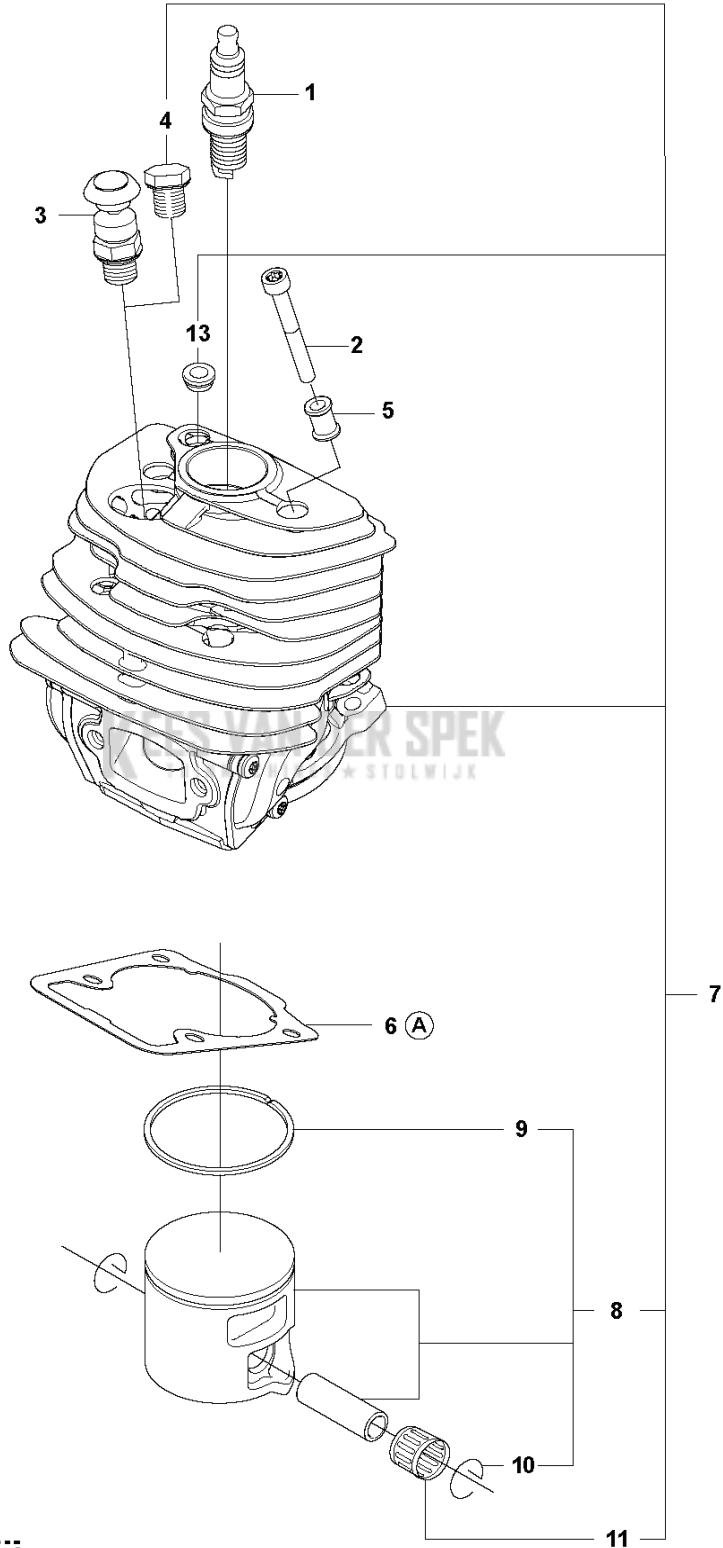
WINTER KIT 562XP



CHAIN SAWS

PXM_REF	PXM_PARTNO	DESCRIPTION	PXM_REMARK	QTY
1	575439201	GEREEDSCHAP		1
2	522521101	COMBINATIESLEUTEL		1 1
3	503558601	SLEUTEL		1 1
4	503558602	SLEUTEL		1 1
5	503621201	VET		1 1
6	501911401	VETPISTOOL		1 1
7	583897101	DIAGNOSTIC TOOL KIT		1
8	576183401	KABEL COMPL.	Diagnostics cable 14 Mhz	1 7
9	522986502	WINTER KIT		1
10	505166101	WINTERKAP		1 9
11	503405901	WINTERPLUG		1 9
12	503217016	SCHROEF CCRPANT		2 9
13	740420100	O-RING		2 9
14	578125501	WINTERPLUG		1 9
15	576952201	KABEL COMPL.	Diagnostics cable 8 MHz	1 7
16	503267201	LIJM		1
17	575880701	SLEUTEL		1

D 562XP
CYLINDER PISTON

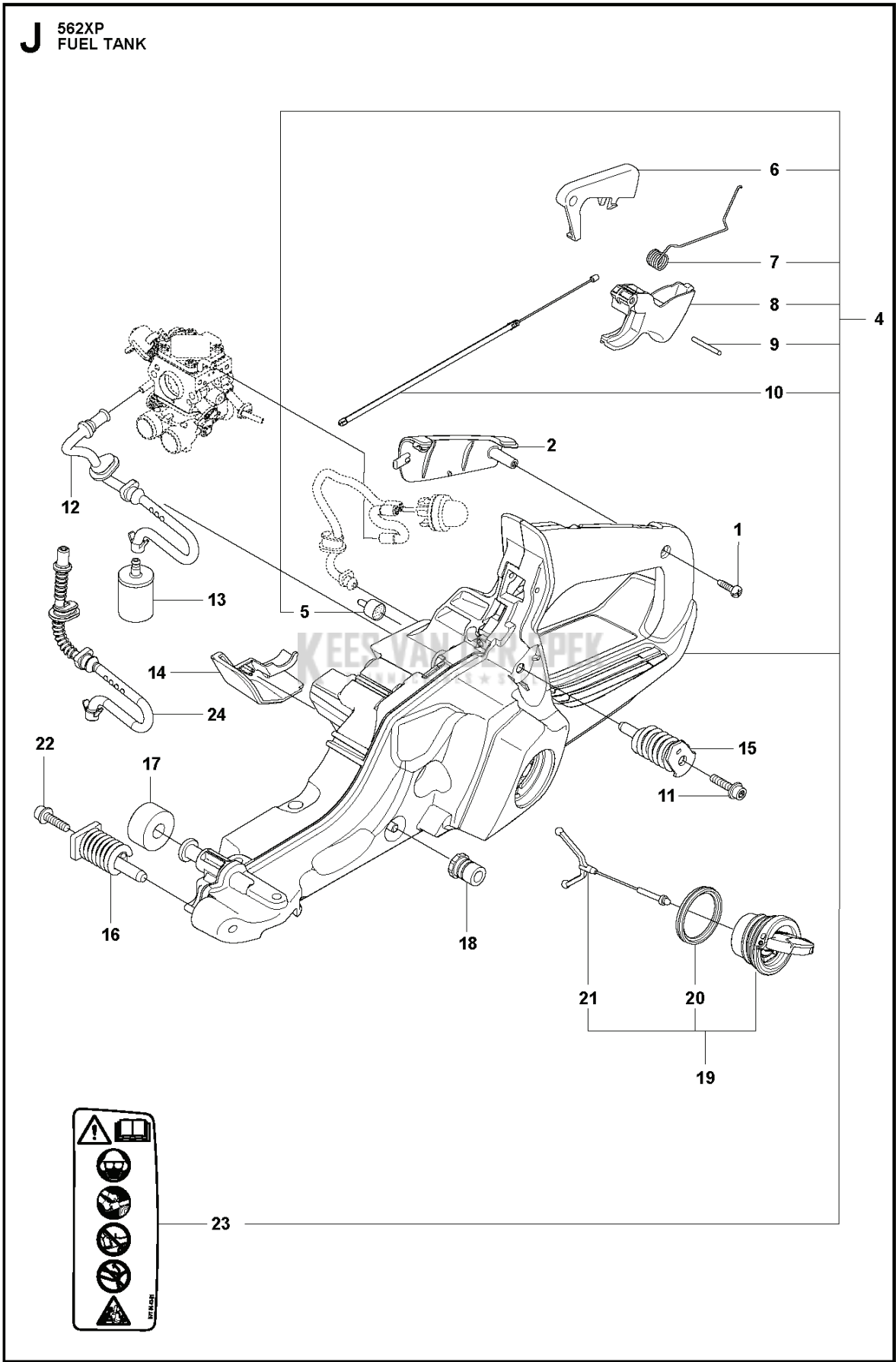


12
Ⓐ Set of gaskets

CHAIN SAWS

PXM_REF	PXM_PARTNO	DESCRIPTION	PXM_REMARK	QTY
1	574519601	BOUGIE		1
2	582392701	SCREW		4
3	575276901	DECOMPRESIEKLEP		1
4	503552201	PLUG		1
5	576717602	HULS		4
6	510164901	PAKKING		1 12
7	575355805	CILINDER COMPL.		1
8	584807806	ZUIGER COMPL.		1 7
9	505215701	ZUIGERVEER		1 8.7
10	737441000	BORGRING		2 8.7
11	503256302	NAALDLAGER		1 7
12	575270003	PAKKINGSET	A=set of gaskets	1
13	520291101	BUSHING		1 7

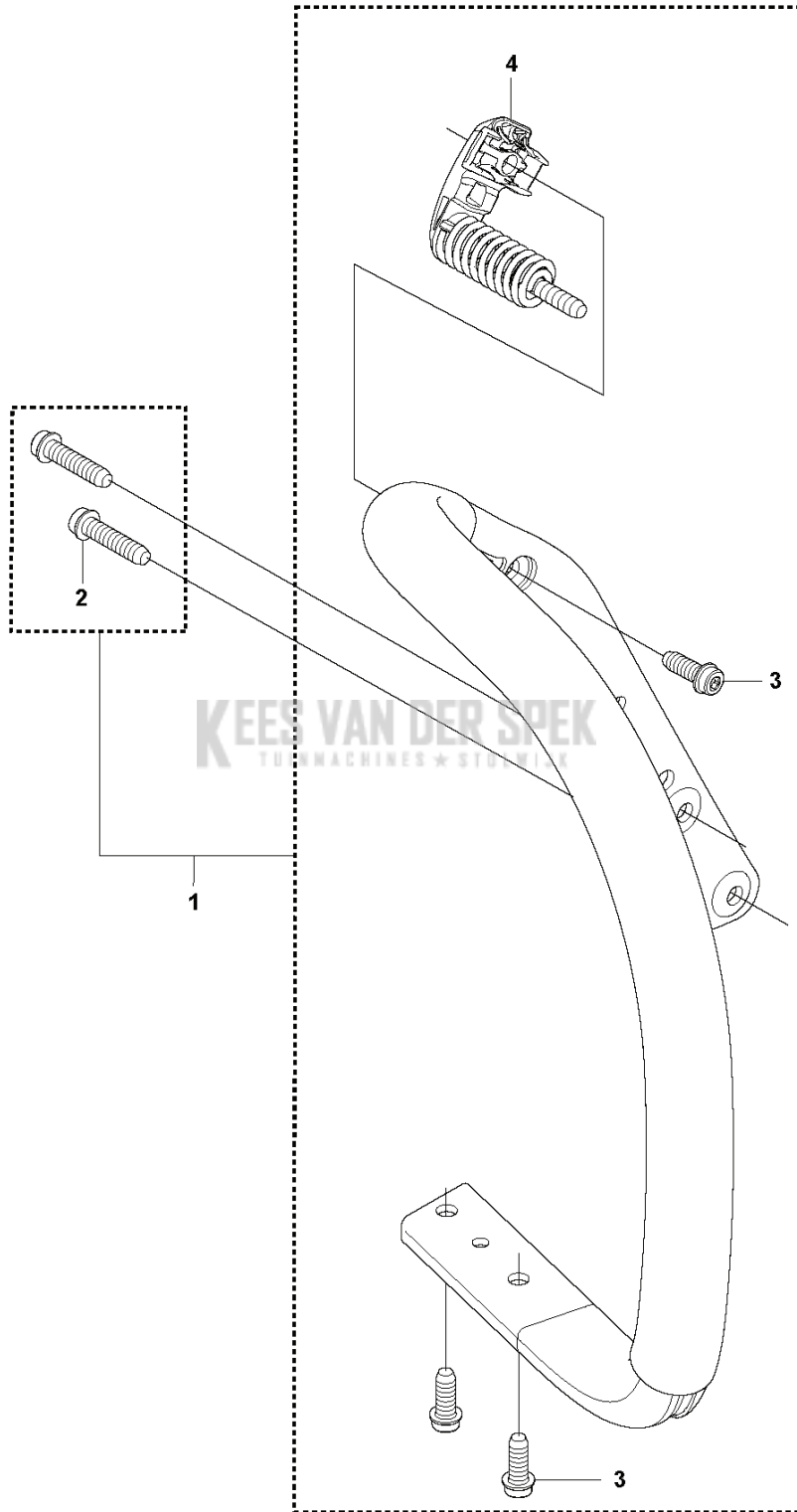
J 562XP
FUEL TANK



CHAIN SAWS

PXM_REF	PXM_PARTNO	DESCRIPTION	PXM_REMARK	QTY
1	525887402	SCREW CITXPANT		1
2	504106301	HANDGREEPINZETSTUK		1
4	575382205	BRANDSTOFTANK COMPL.		1
5	501152901	TANKONTLUCHTING COMPL.		1 4
6	544099801	GASVERGREDELING		1 4
7	544099901	VEER		1 4
8	505157701	GAS		1 4
9	720182520	CILINDRISCHE PEN		1 4
10	521887901	GASKABEL COMPL.		1
11	525798102	SCREW ITXSCFT		1
12	573993503	BRANDSTOFLSANG		1
13	503443201	BRANDSTOFFILTER		1
14	505165901	DEKSEL	not.XPW	1
15	586312103	AV ELEMENT		1
16	505128702	AV ELEMENT		1
17	523085501	BEGRENZINGS LIMITER		1
18	501007601	STEUN		1
19	522620003	TANKDEKSEL COMPL.		1
20	589241101	PAKKING		1 19
21	503578901	HOLDER		1 19
22	525798103	SCREW ITXSCFT		1
23	577844301	STICKER		1 4
24	577504101	BRANDSTOFLSANG		1

K1 562XP
HANDLE

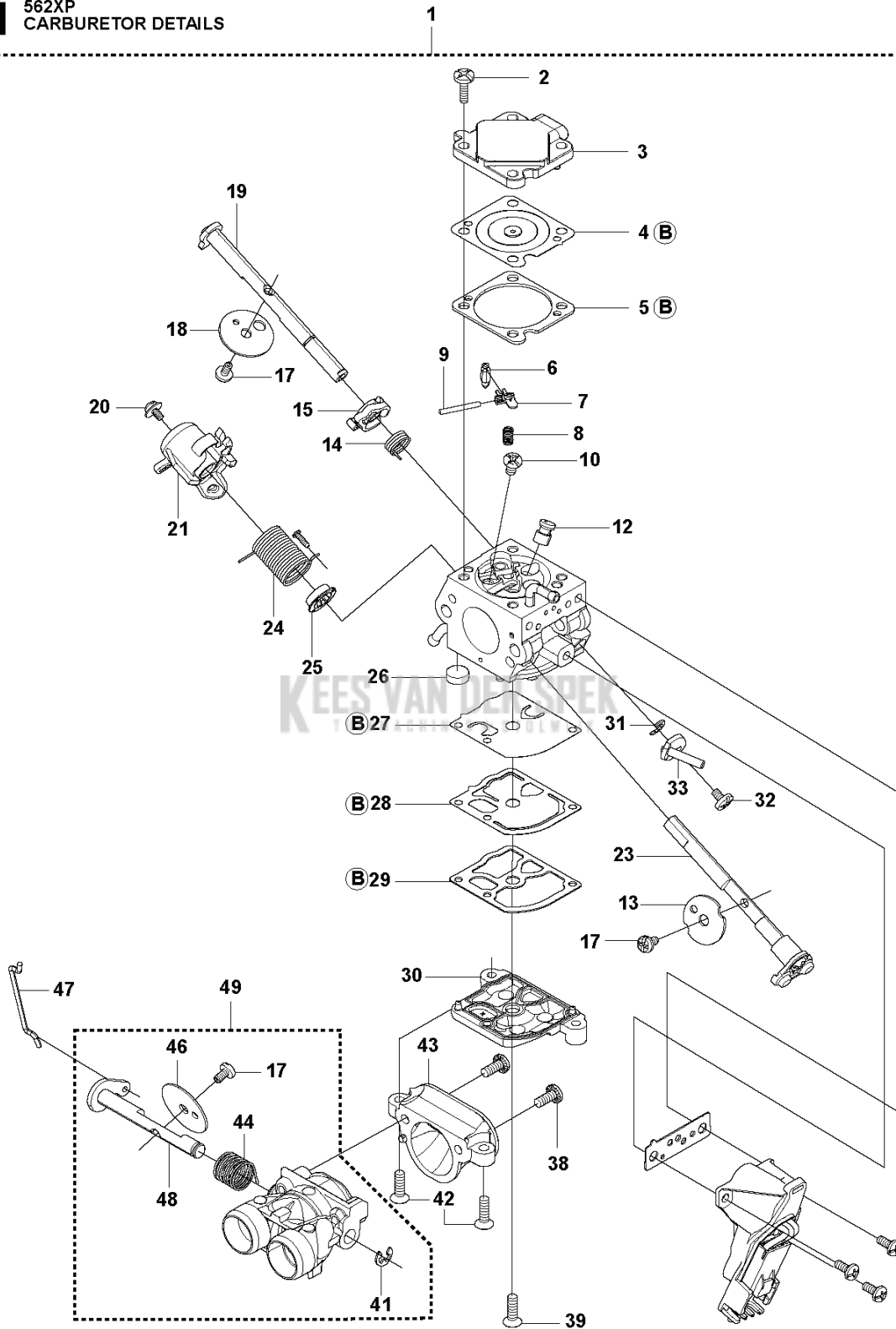


CHAIN SAWS

PXM_REF	PXM_PARTNO	DESCRIPTION	PXM_REMARK	QTY
1	575388903	VOORSTE BEUGEL		1
2	525798103	SCREW ITXSCFT		2
3	525798101	SCREW ITXSCFT		3
4	505129705	AV ELEMENT		1

KEES VAN DER SPEK
TUINMACHINES ★ STOLWIJK

N 562XP
CARBURETOR DETAILS



(B) Set of gaskets — 50

Firmware Auto Tune

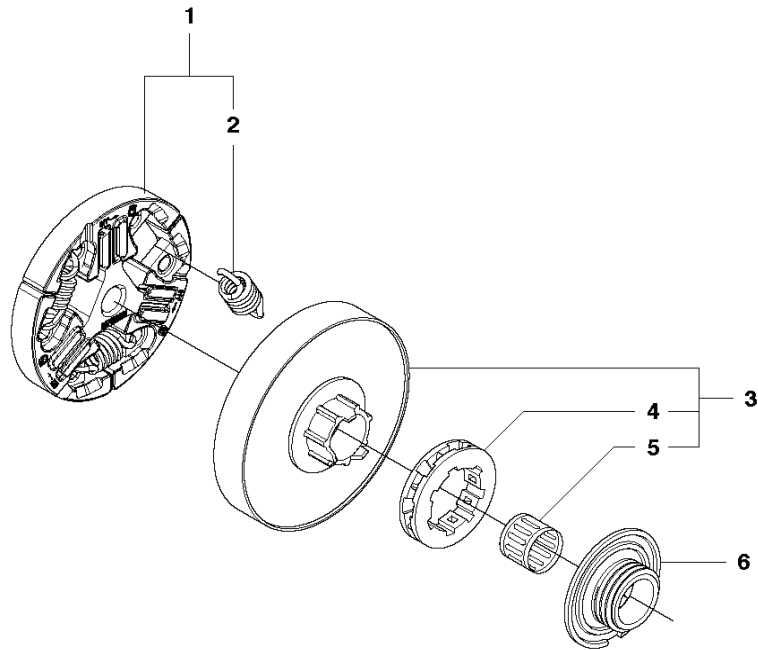
52

CHAIN SAWS

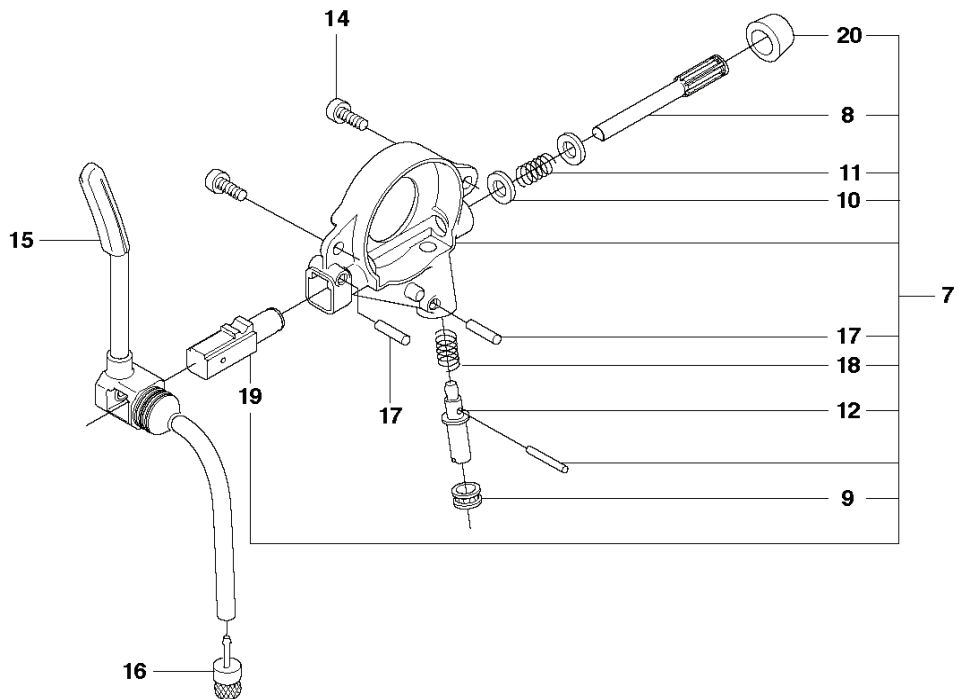
PXM_REF	PXM_PARTNO	DESCRIPTION	PXM_REMARK	QTY	
1	579194101	CARBURATEUR	s/n up to - 20121401172 (ZAMA EL44)	1	
1	501463305	CARBURETTOR KIT	ZAMA140055A	1	
2	522545101	SCREW		4	1
3	522517201	DEKSEL		1	1
4	522517401	MEMBRAAN		1	1,50
5	522517501	PAKKING		1	1,50
6	503479701	VENTIEL		1	1
7	503665901	HEFBOOM		1	1
8	537383401	VEER		1	1
9	503480001	PIN RETAINING SCREW		1	1
10	503480101	SCREW		1	1
12	576414201	HOOFD SPROEIER		1	1
13	523077201	VENTIEL	s/n up to - 20121401172 (ZAMA EL44)	1	1
13	578176201	GASKLEP	s/n 20121401173 - 20141399999 (ZAMA EL46)	1	
13	583974701	GASKLEP	s/n from 2014140001 - (ZAMA EL48/140055A)	1	
14	522518701	VEER		1	1
15	522517701	HEFBOOM		1	1
17	503481801	SCREW		3	1
18	504627701	CHOKKLEP		1	1
19	522518301	AS COMPL		1	1
20	502078401	SCREW		1	1
21	522517801	GASHEFBOOM		1	1
23	522518501	GASHENDELAS		1	1
24	502078701	VEER		1	1
25	502079801	KRAAG		1	1
26	503535701	ZEEF		1	1
27	537383101	MEMBRAAN POMP		1	1,50
28	537403301	MEMBRAAN		1	1,50
29	537020101	PAKKING		1	1,50
30	575544301	DEKSEL		1	1
31	504026701	BORGCLIP		1	1
32	503479001	SCREW		1	1
33	522517601	CHOKHEFBOOM		1	1
38	506396601	SCREW		5	1
39	522518101	SCREW		1	1
41	537385201	KLEM		1	1
42	522518001	SCREW		2	1
43	575544401	INLAAT		1	1
44	522518601	VEER		1	1
46	537177001	VENTIEL		1	1
47	522517901	STANG		1	1
48	522518201	AS COMPL		1	1
49	578227801	GASKLEP COMPL.		1	1
50	522518901	KIT	B=set of gaskets	1	
52	.	TBD	Download from your local supportsite	0	

KEES VAN DER SPEK
TUINMACHINES & TOEWIJK

B 562XP
CLUTCH & OIL PUMP



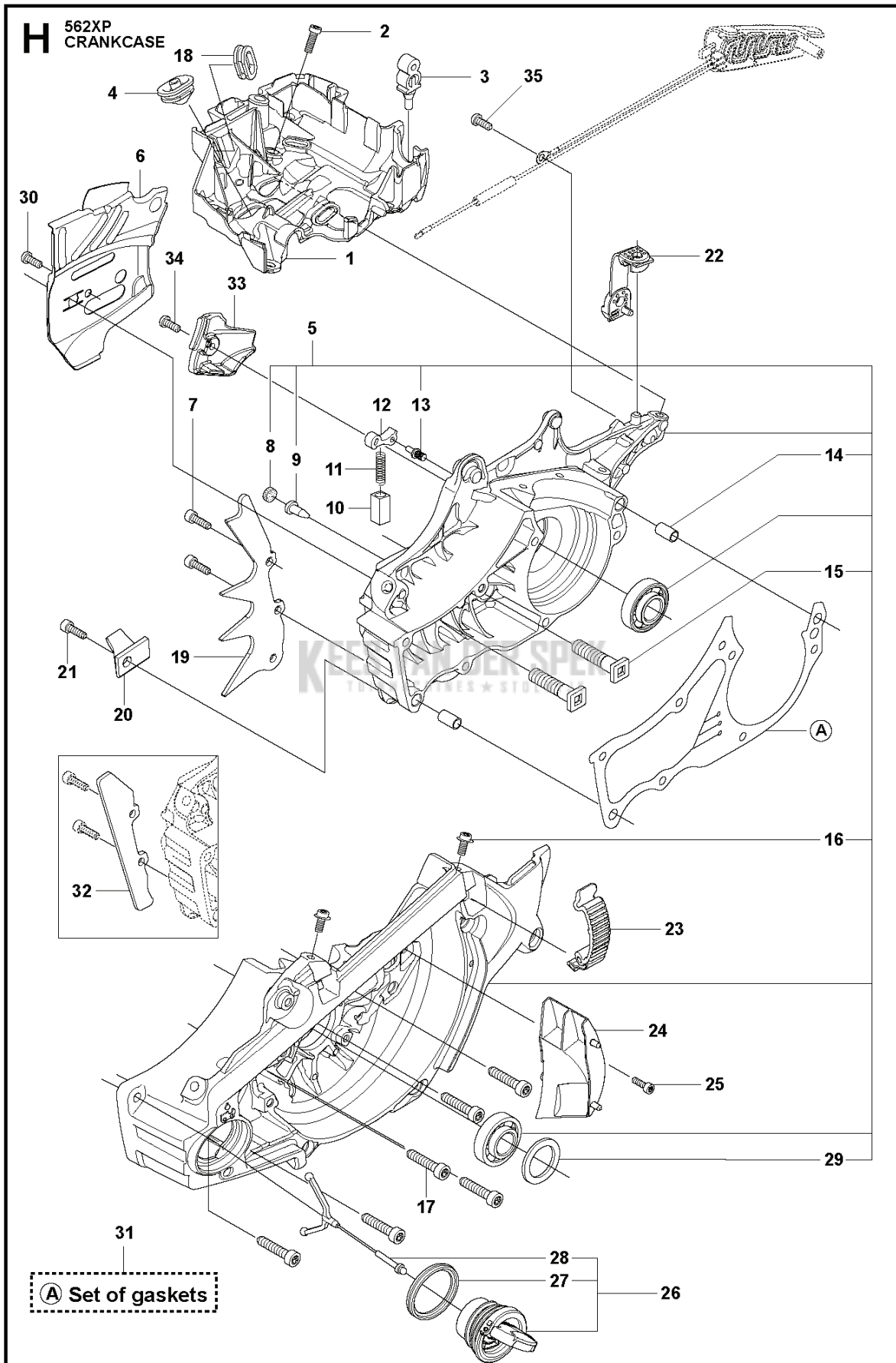
KEES VAN DER SPEK
TUINMACHINES * STOLWIJK



CHAIN SAWS

PXM_REF	PXM_PARTNO	DESCRIPTION	PXM_REMARK	QTY	
1	589809002	KOPPELING COMPL.		1	
2	580653502	KOPPELINGSVEER	s/n from 20133400001 - up to s/n 20164100192	3	1
2	502164701	KOPPELINGSVEER	s/n from 20164100193 -	1	1
3	575261005	KOPPELINGSTROMMEL COMPL.		1	
3	575261006	KOPPELINGSTROMMEL	"3/8"x7"	1	
4	501457402	RIM		1	3
4	501598002	RIM	"3/8"x7"	1	3
5	503253401	NAALDLAGER		1	3
6	577548101	WORMWIEL		1	
7	505199906	OLIEPOMP COMPL.		1	
8	505200203	POMPZUIGER		1	7
9	505200301	OMHULSEL		1	7
10	503230060	RING		2	7
11	503891601	VEER		1	7
12	505157001	REGELSCHROEF		1	7
14	526818102	SCHROEF ITXSCM		2	
15	575847801	OLIESLANG		1	
16	504710003	OLIELOOD		1	
17	720123300	CILINDRISCHE PEN		2	7
18	503891501	VEER		1	7
19	505200101	POMPCILINDER		1	7
20	503624903	AFDICHTINGSPLUG		1	7

KEES VAN DER SPEK
TUINMACHINES ★ STOLWIJK

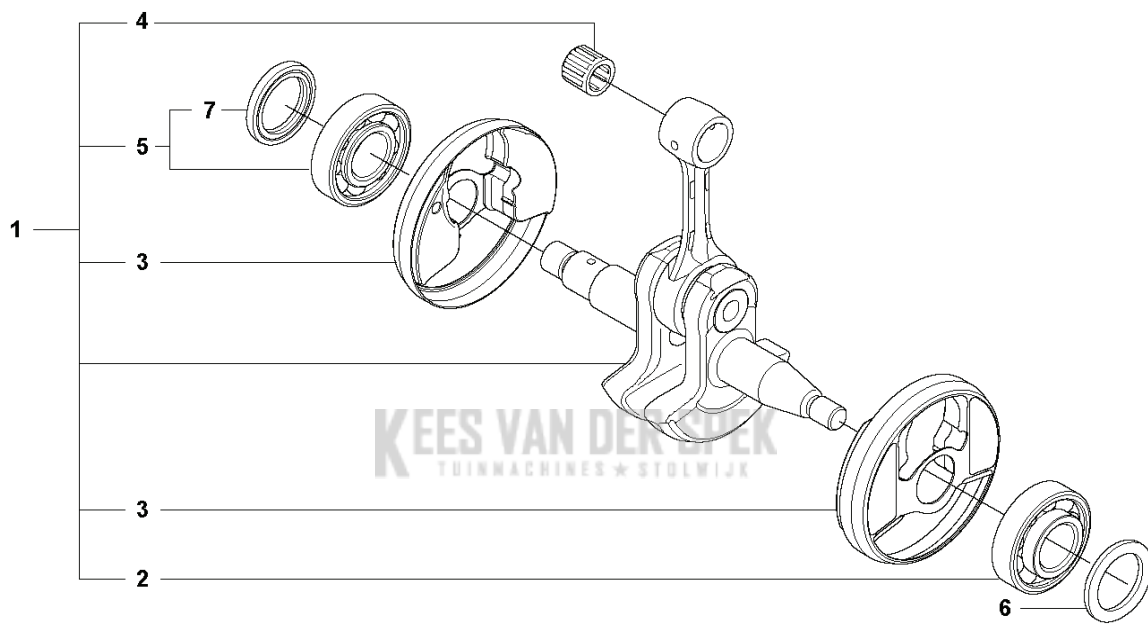


CHAIN SAWS

PXM_REF	PXM_PARTNO	DESCRIPTION	PXM_REMARK	QTY
1	505158601	CARBURATEUR		1
2	525755202	SCHROEF ITXSCFM		4
3	503869301	STEUN		2
4	581559201	BALG		1
5	575380218	CARTER COMPL.		1
6	522742901	KETTINGGELEIDERPLAAT		1
7	575793501	SCHROEF ITXPANM		2
8	537403501	FILTER		1 5
9	530026119	CONTROLEKLEP		1 5
10	537210701	VEERGELEIDING		1
11	503436501	POSITIEVEER		1
12	505201201	VERGRENDELING		1
13	503751801	PEN		1 5
14	501270801	GELEIDEHULS		2 5
15	522893801	ZAAGBLADBOUT		2 5
16	525824401	SCHROEF ITXSCM		2 5
17	575841104	SCHROEF ITXSCM		6
18	537088301	DOORVOER		1
19	577935201	SPIKE		1
20	522893901	KETTINGVANGER		1
21	525798103	SCREW ITXSCFT		1
22	505125801	BEGRENZINGS LIMITER		1
23	503894703	SNAPSLUITING		3
24	588065501	LUCHTMONDSTUK		1
25	526818101	SCHROEF ITXSCM		1
26	522620003	TANKDEKSEL COMPL.		1
27	589241101	PAKKING		1 26
28	503578901	HOLDER		1 26
29	525391201	RADIAAL AFDICHTING		2 5
30	525887401	SCREW CITXPANT		1
31	575270003	PAKKINGSET	A=set of gaskets	1
32	525347601	BUMPER		1
33	577386801	KETTINGGELEIDER		1
34	525887401	SCREW CITXPANT		1
35	526221801	SCREW CITXPANT		1

KEES VAN DER SPEK
TUINMACHINES ★ STOLWIJK

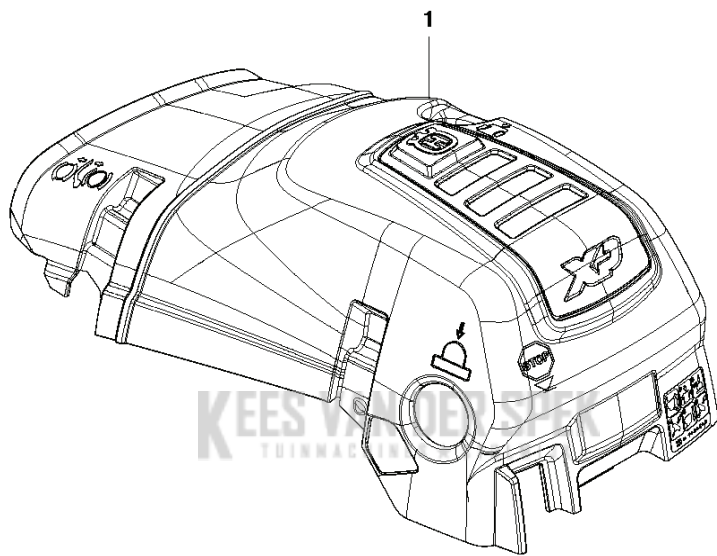
E 562XP
CRANKSHAFT



CHAIN SAWS

PXM_REF	PXM_PARTNO	DESCRIPTION	PXM_REMARK	QTY
1	575545215	KRUKAS COMPL.		1
2	505133503	KOGELLAGER		1 1
3	505133601	KOP		2 1
4	503256302	NAALDLAGER		1 1
5	525434203	KOGELLAGER		1 1
6	525391201	RADIAAL AFDICHTING		1
7	505416101	RADIAAL AFDICHTING		1 1,5

C 562XP
CYLINDER COVER



CHAIN SAWS

PXM_REF	PXM_PARTNO	DESCRIPTION	PXM_REMARK	QTY
1	587248702	CILINDERDEKSEL COMPL.		1
2	587149501	PLAATJE		1 1

KEES VAN DER SPEK
TUINMACHINES ★ STOLWIJK