

STIGA

Multiclip Pro 50 SX H (2019)

291502138/ST1

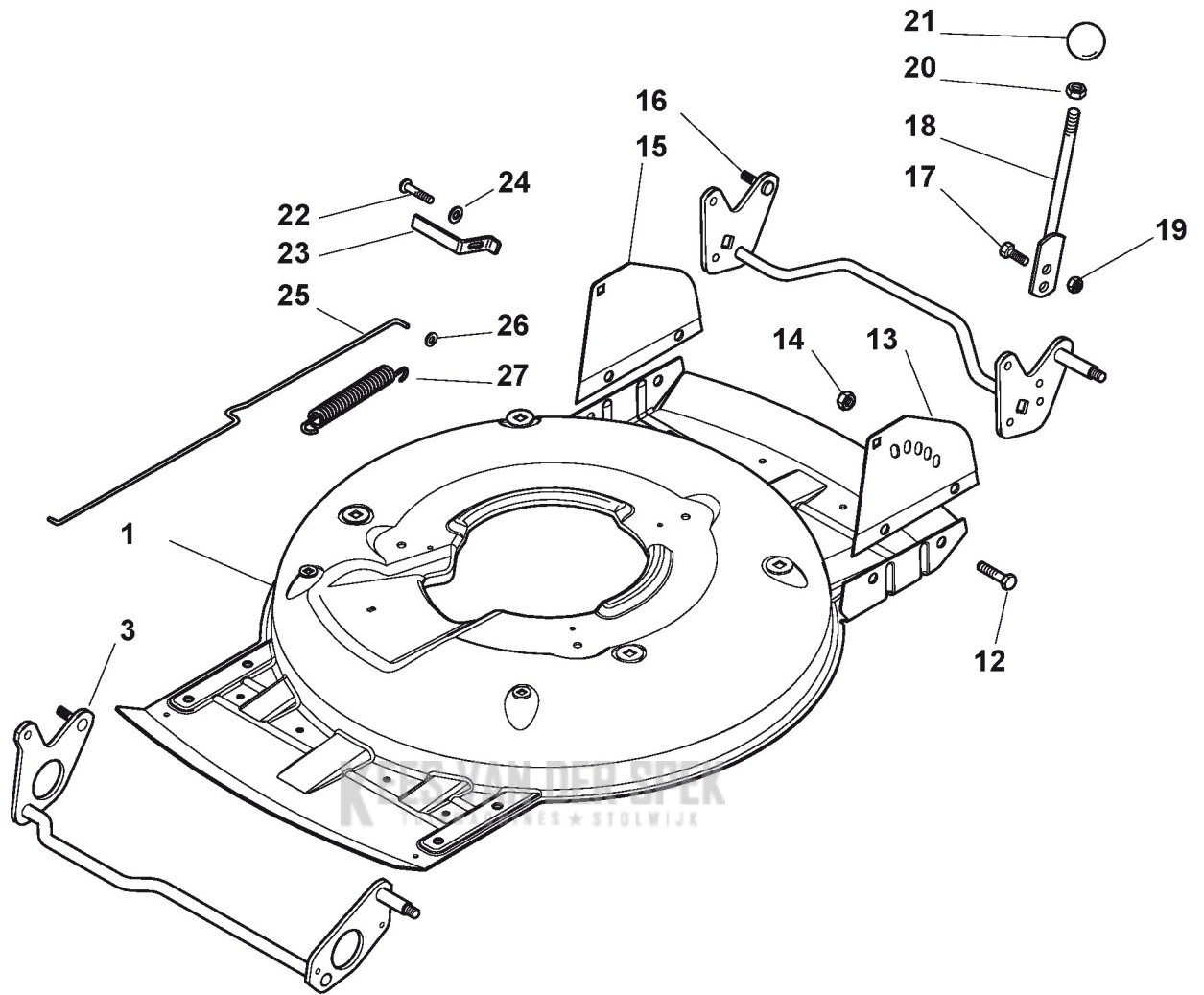
Spare parts list
Reservdelar
Repuestos
Ersatzteile
Pièces détachées
Reserve onderdelen
Catalogo ricambi



KEES VAN DER SPEK
TUINMACHINES * STOLWIJK

- Use ST. S.p.A. Genuine Spare Parts specified in the parts list for repair and/or replacement.
- The contents described in the parts list may change due to improvement.
- The drawings of the spare parts are only indicative And might Not represent the part in question exactly.
- The indications "right" - "left" - "front" - "rear" refer to the position of the operator when using the machine.
- When placing orders of parts for repair And/Or replacement, make sure that the illustrated parts list Is the one applying to the machine's year of manufacture, as shown on the identification plate attached to the machine.

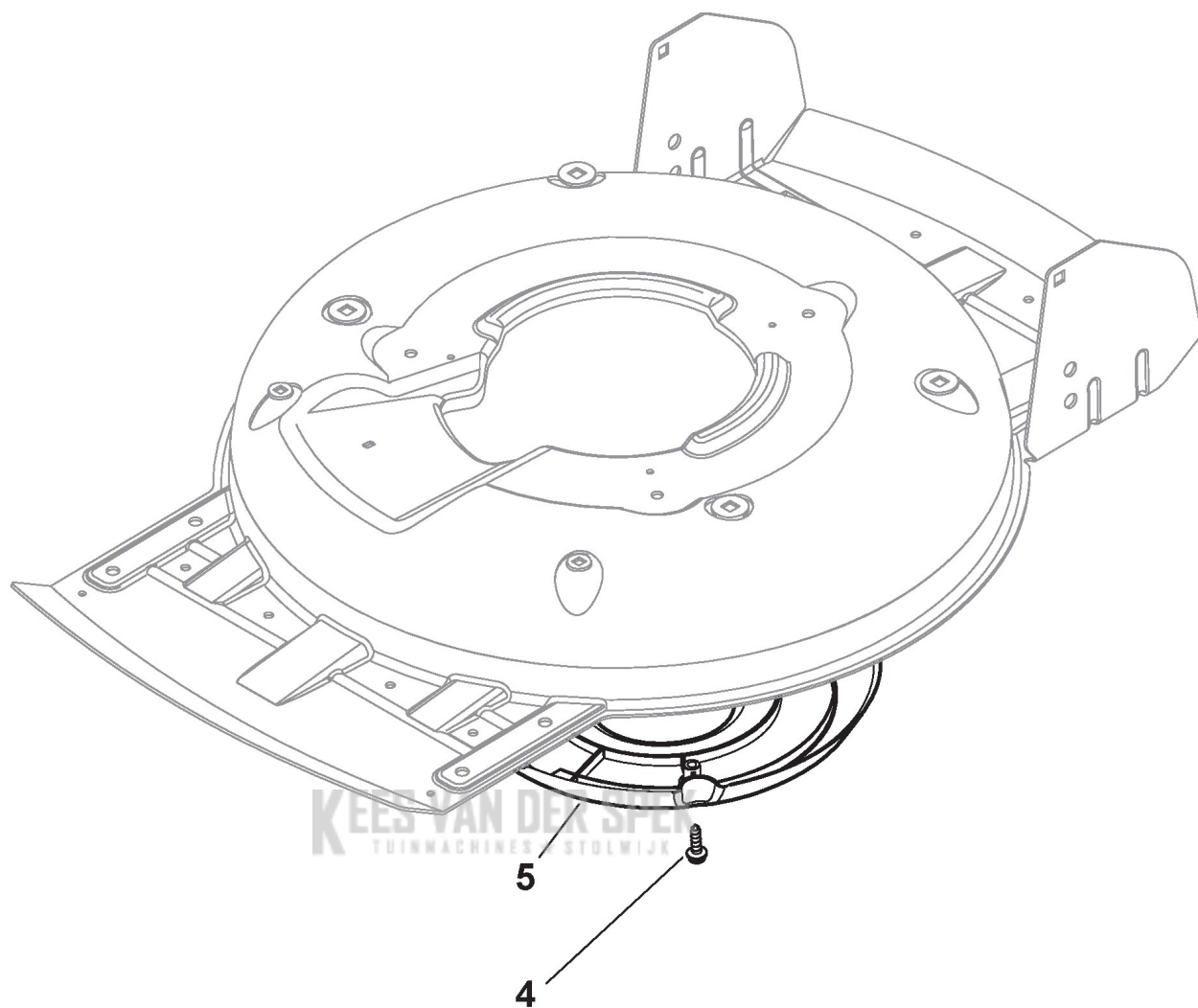
All rights reserved. No part Of this material may be reproduced Or transmitted, in any form Or by any means, electronic Or mechanical, including photocopying, recording Or by any information storage And retrieval system, without permission in writing from ST. S.p.A.



Deck And Height Adjusting

| Ref.nr. | Qty | Item number | Description | Notes | From | Up to |
|---------|-----|-------------|--------------------------|--|------|-------|
| 1 | 1 | 381004735/0 | Grey Deck | From 01-September-2013 To 31-August-2016 | | |
| 1 | 1 | 381004735/1 | Grey Deck | From 01-September-2016 | | |
| 3 | 1 | 381002849/0 | Front Wheel Axle | To 31-August-2012 | | |
| 3 | 1 | 381302863/0 | Axle, Front Wheels | From 01-September-2012 | | |
| 12 | 4 | 112791011/0 | Screw | | | |
| 13 | 1 | 381545105/0 | Left Plate | | | |
| 14 | 4 | 112154510/0 | Nut | | | |
| 15 | 1 | 381545104/0 | Right Plate | | | |
| 16 | 1 | 381002851/0 | Rear Wheel Axle | To 31-August-2012 | | |
| 16 | 1 | 381302861/0 | Axle, Rear Wheels | From 01-September-2012 To 31-August-2013 | | |
| 16 | 1 | 381302861/1 | Axle, Rear Wheels | From 01-September-2013 | | |
| 17 | 2 | 112789000/0 | Screw | | | |
| 18 | 1 | 381003323/0 | Lever, Height Adjustment | | | |
| 19 | 2 | 112154330/0 | Nut | | | |
| 20 | 1 | 112293200/0 | Nut | | | |
| 21 | 1 | 322399812/0 | Knob | | | |
| 22 | 2 | 112735661/0 | Screw | | | |
| 23 | 2 | 322551529/0 | Wheels Cleaning Plate | | | |
| 24 | 2 | 112521330/0 | Washer | | | |
| 25 | 1 | 122033329/0 | Rod, Height Adjustment | | | |
| 26 | 2 | 112604899/0 | Crown Fastener | | | |
| 27 | 1 | 122446184/0 | Spring | | | |

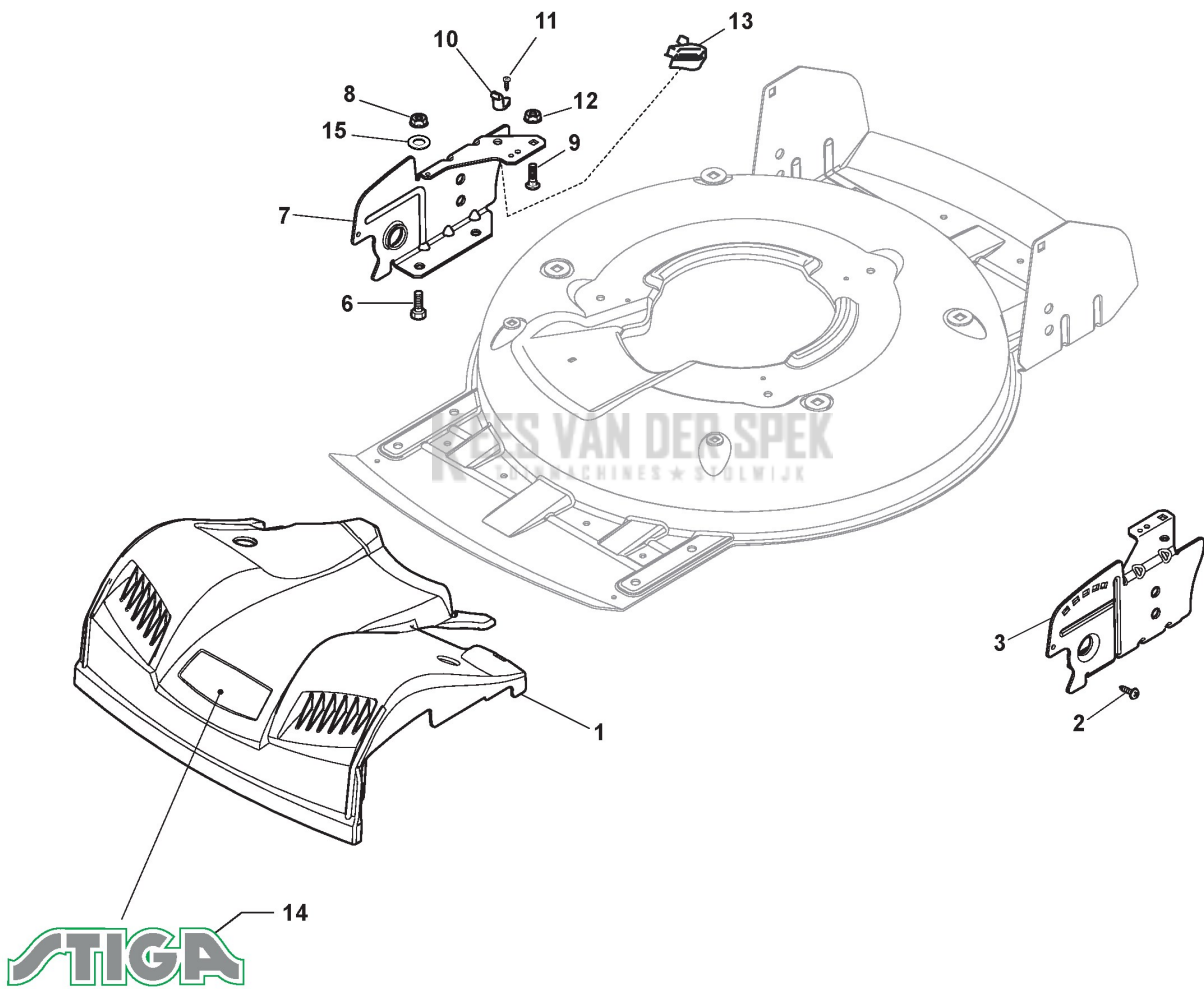
Kees van der Spek
TUINMACHINES & STOLWIJK



Protection, Belt

| Ref.nr. | Qty | Item number | Description | Notes | From | Up to |
|---------|-----|-------------|-----------------|------------------------|------|-------|
| 4 | 3 | 112728530/0 | Screw | To 31-August-2015 | | |
| 4 | 3 | 112728531/0 | Screw | From 01-September-2015 | | |
| 5 | 1 | 322060220/0 | Belt Protection | | | |

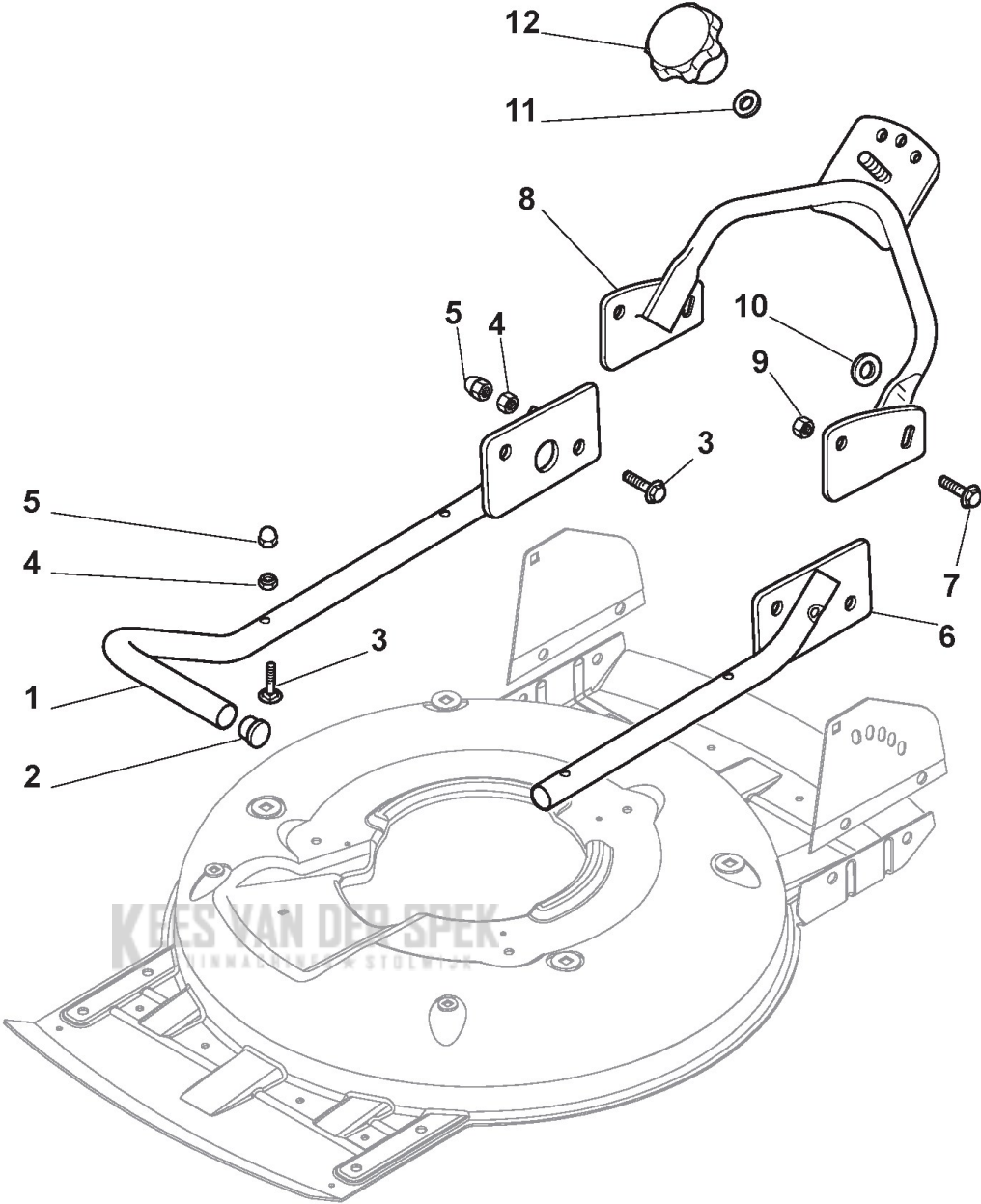




Mask

| Ref.nr. | Qty | Item number | Description | Notes | From | Up to |
|---------|-----|-------------|------------------|-------|------|-------|
| 1 | 1 | 322226197/0 | Mask, Grey | | | |
| 2 | 2 | 112728450/0 | Screw | | | |
| 3 | 1 | 322778421/0 | Left Bracket | | | |
| 6 | 4 | 112793102/0 | Screw | | | |
| 7 | 1 | 322778419/0 | Right Bracket | | | |
| 8 | 4 | 112155000/0 | Nut | | | |
| 9 | 2 | 112815200/0 | Screw | | | |
| 10 | 2 | 322020400/0 | Fairlead | | | |
| 11 | 2 | 112728523/0 | Screw | | | |
| 12 | 2 | 112292102/0 | Nut | | | |
| 13 | 2 | 133320506/0 | Fairlead | | | |
| 14 | 1 | 114367494/2 | Label STIGA logo | | | |
| 15 | 4 | 112523060/0 | Washer | | | |

KEES VAN DER SPEK
TUINMACHINES & STOLWIJK



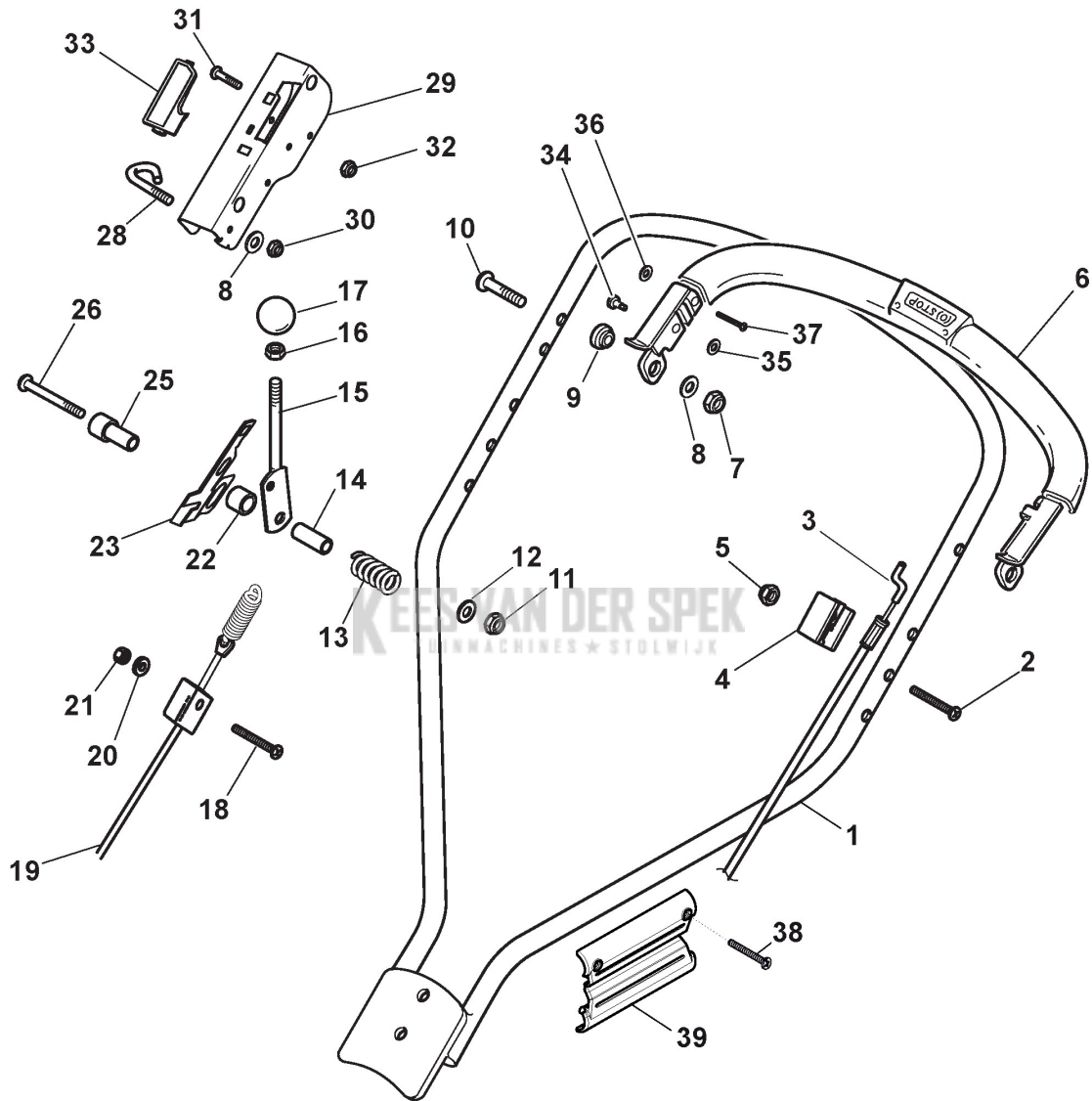
KES VAN DER SPEK
HINNAARSTOLWIJZ

Handle, Lower Part

| Ref.nr. | Qty | Item number | Description | Notes | From | Up to |
|---------|-----|-------------|-----------------------------------|---------------------|------|-------|
| 1 | 1 | 381006385/0 | Handle Lower Part | | | |
| 2 | 4 | 118566114/0 | Cap | | | |
| 3 | 6 | 112819100/0 | Screw | | | |
| 4 | 6 | 112155000/0 | Nut | | | |
| 5 | 6 | 118203854/0 | Cap | | | |
| 6 | 1 | 381006387/0 | Grey Left Handle Lower Part Ass.Y | | | |
| 7 | 4 | 112793102/0 | Screw | | | |
| 8 | 1 | 381006369/0 | Handle, Middle Part Grey | To 28-february-2018 | | |
| 8 | 1 | 381006369/1 | Handle, Middle Part Grey | From 01-March-2018 | | |
| 9 | 4 | 112155000/0 | Nut | | | |
| 10 | 2 | 112523060/0 | Washer | | | |
| 11 | 1 | 112523080/0 | Washer | | | |
| 12 | 1 | 322399813/0 | Knob | | | |

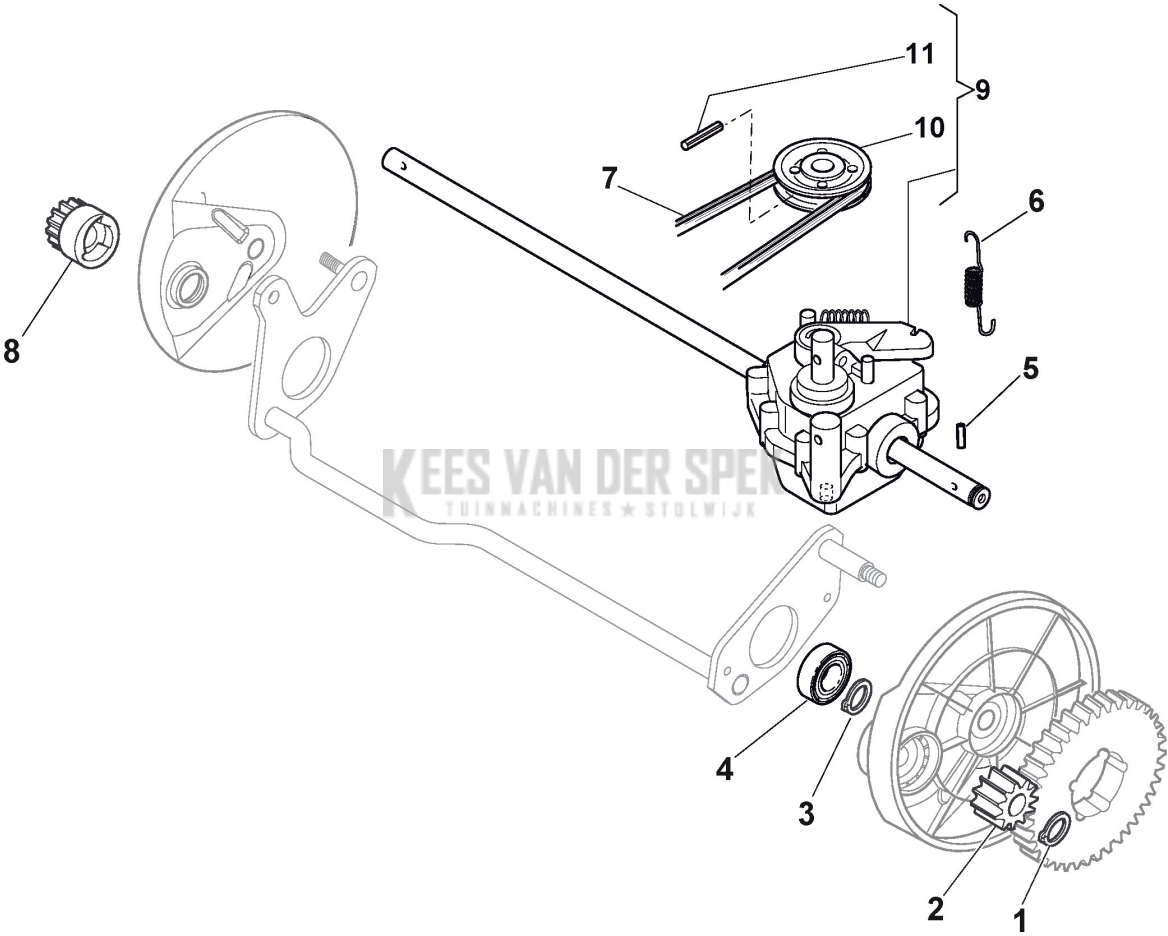


KEES VAN DER SPEK
TUINMACHINES & STOLWIJK



Handle, Upper Part

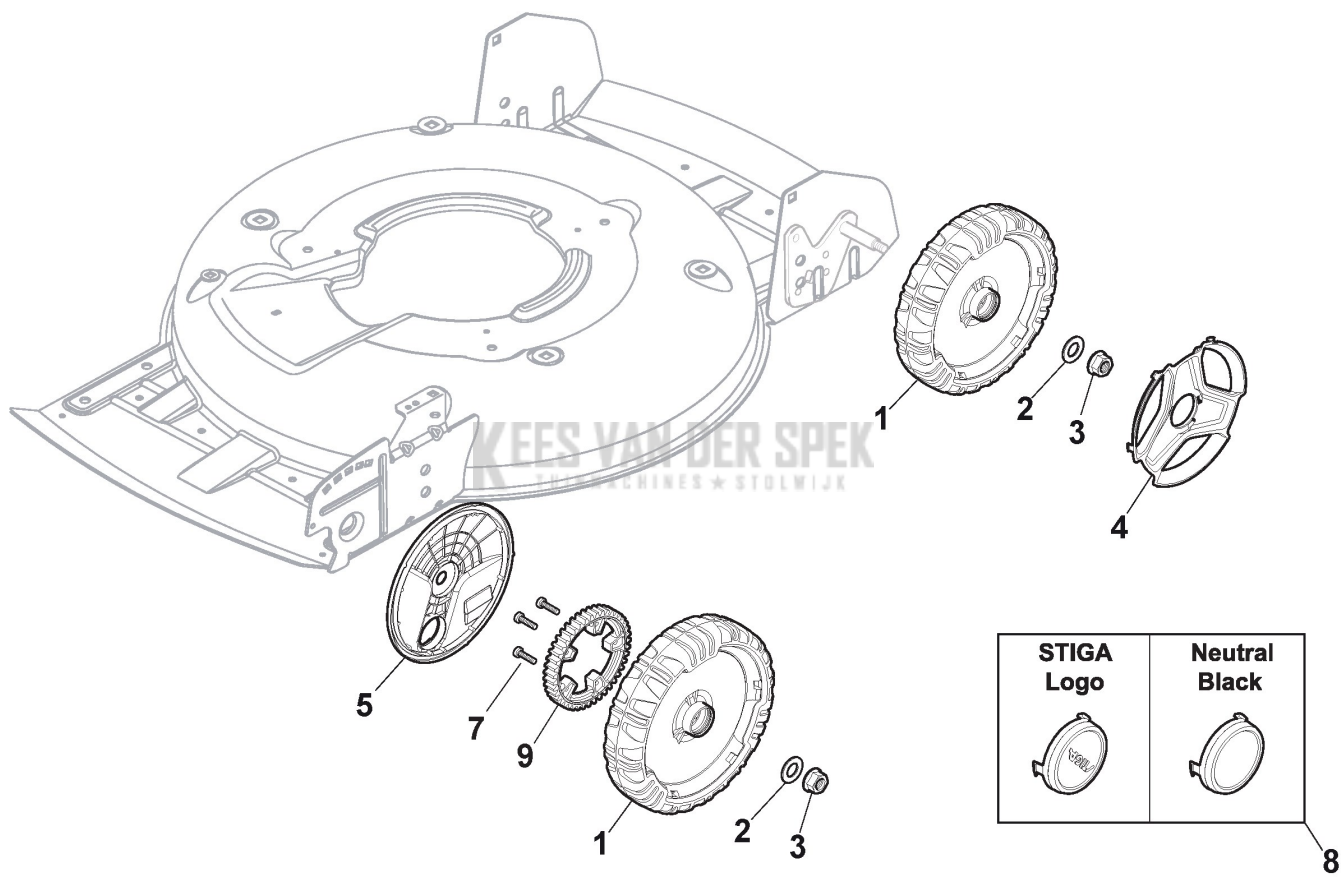
| Ref.nr. | Qty | Item number | Description | Notes | From | Up to |
|---------|-----|-------------|----------------------------|----------------------------------|------|-------|
| 1 | 1 | 381006371/0 | Handle, Upper Part Grey | Grey | | |
| 2 | 1 | 112727784/0 | Screw | | | |
| 3 | 1 | 181000769/1 | Cable, Thread Engine Brake | Honda Engine 4 Speed/AVS | | |
| 4 | 1 | 322551639/0 | Fixed Plate | | | |
| 5 | 1 | 112154510/0 | Nut | | | |
| 6 | 1 | 381003318/1 | Lever, Engine Brake | | | |
| 7 | 2 | 112154510/0 | Nut | | | |
| 8 | 4 | 112521330/0 | Washer | | | |
| 9 | 2 | 122671660/1 | Washer | | | |
| 10 | 2 | 112727784/0 | Screw | | | |
| 11 | 1 | 112154510/0 | Nut | | | |
| 12 | 1 | 112521330/0 | Washer | | | |
| 13 | 1 | 122450446/0 | Spring | | | |
| 14 | 1 | 122170840/0 | Spacer | | | |
| 15 | 1 | 381003313/0 | Driving Lever | | | |
| 16 | 1 | 112293200/0 | Nut | | | |
| 17 | 1 | 322399812/0 | Knob | | | |
| 18 | 1 | 112727791/0 | Screw | | | |
| 19 | 1 | 381030133/0 | Drive Cable | | | |
| 20 | 1 | 112521330/0 | Washer | | | |
| 21 | 1 | 112154510/0 | Nut | | | |
| 22 | 1 | 122170843/0 | Spacer | | | |
| 23 | 1 | 322551653/0 | Plate | | | |
| 25 | 1 | 122170842/0 | Spacer | | | |
| 26 | 1 | 112727786/0 | Screw | | | |
| 28 | 1 | 122430314/0 | Starting Rope Guide Spring | NOT for model with engine B&S IS | | |
| 29 | 1 | 381004405/0 | Dashboard | | | |
| 30 | 1 | 112154510/0 | Nut | | | |
| 31 | 1 | 112727792/0 | Screw | | | |
| 32 | 1 | 112154510/0 | Nut | | | |
| 33 | 1 | 322500050/0 | Shoe | | | |
| 34 | 1 | 122524342/0 | Pin | | | |
| 35 | 1 | 112604897/0 | Elastic Washer | | | |
| 36 | 2 | 112154330/0 | Nut | | | |
| 37 | 2 | 112727796/0 | Screw | | | |
| 38 | 4 | 112728701/0 | Screw | | | |
| 39 | 2 | 322806645/0 | Cable Support | | | |



Transmission

| Ref.nr. | Qty | Item number | Description | Notes | From | Up to |
|---------|-----|-------------|------------------|--|------|-------|
| 1 | 2 | 112608600/0 | Seeger | | | |
| 2 | 1 | 122570120/1 | Pinion Left | | | |
| 3 | 2 | 112608600/0 | Seeger | | | |
| 4 | 2 | 119216035/0 | Bearing | | | |
| 5 | 2 | 122753000/0 | Pin | | | |
| 6 | 1 | 122450437/0 | Spring | From 01-October-2017 | | |
| 6 | 1 | 122450439/0 | Spring | To 30-September-2017 | | |
| 7 | 1 | 135063902/0 | Belt | Trapezoidal belt Z29.5; To 31-August-2017 | | |
| 7 | 1 | 135064105/0 | Trapezoidal Belt | Trapezoidal belt Z30; From 01-September-2017 | | |
| 8 | 1 | 122570110/1 | Pinion Right | | | |
| 9 | 1 | 181003109/1 | Gear Box | To 31-August-2016 | | |
| 9 | 1 | 181003122/0 | Gear Box | From 01-September-2016 To 30-September-2017 | | |
| 9 | 1 | 181003127/0 | Gear Box Assy | From 01-October-2017 | | |
| 10 | 1 | 122601909/0 | Pulley | | | |
| 11 | 1 | 112645705/0 | Elastic Pin | ø5X32 | | |

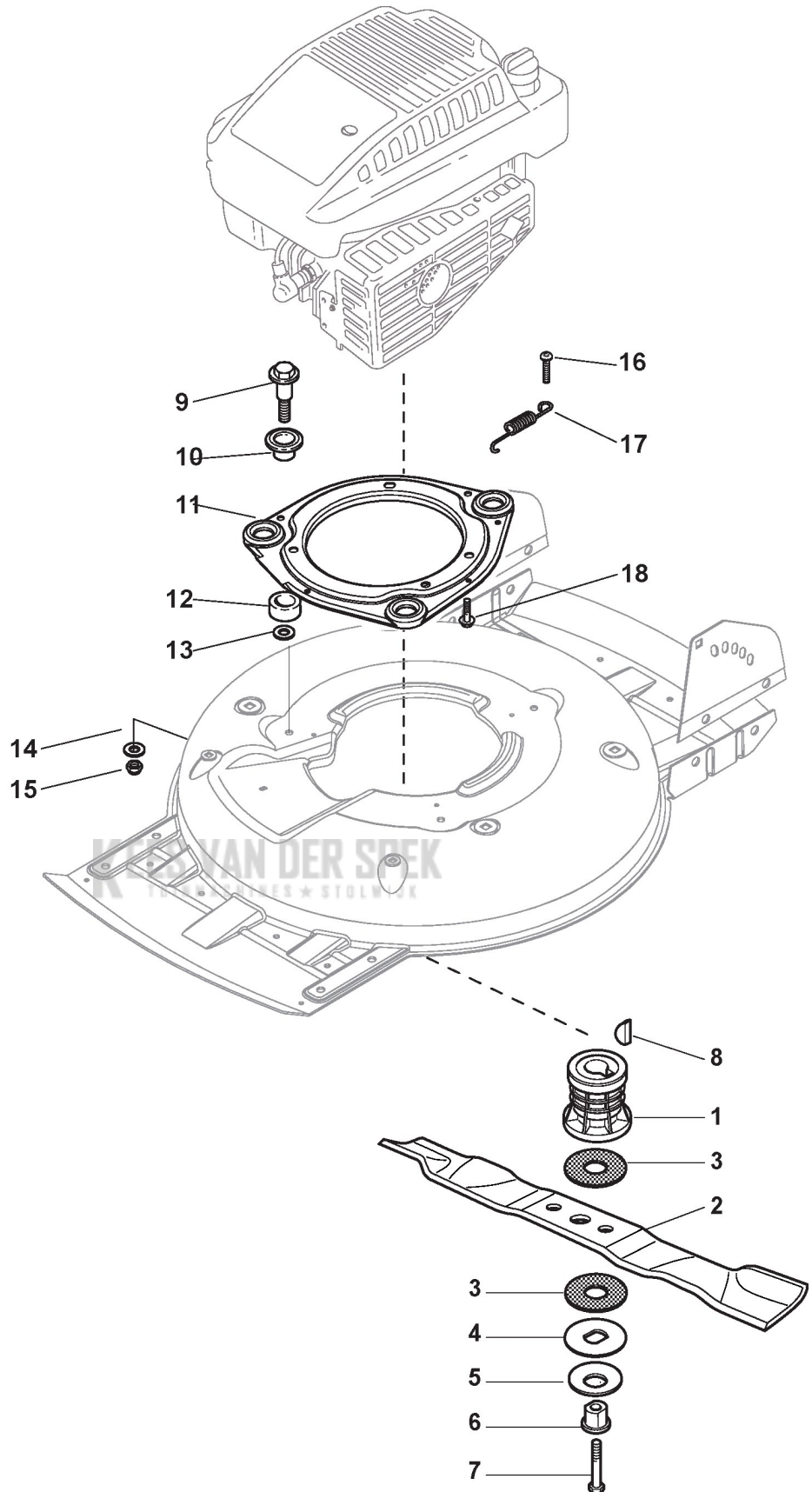

Kees van der Spek
 TUINMACHINES • STOLWIJK



Wheel and Hub Cap

| Ref.nr. | Qty | Item number | Description | Notes | From | Up to |
|---------|-----|-------------|-------------------|-------------------|------|-------|
| 1 | 4 | 381007494/0 | Wheel | Grooved Aluminium | | |
| 2 | 4 | 112521350/0 | Washer | | | |
| 3 | 4 | 112155000/0 | Nut | | | |
| 4 | 4 | 322110796/0 | Hub Cap Grey | | | |
| 5 | 2 | 322600335/0 | Protection, Wheel | | | |
| 7 | 6 | 112728691/0 | Screw | | | |
| 8 | 4 | 322110798/0 | Hub Cap Grey | with STIGA Logo | | |
| 9 | 1 | 322120119/0 | Wheels Crown | | | |

KEES VAN DER SPEK
TUINMACHINES & STOLWIJK



Blade

| Ref.nr. | Qty | Item number | Description | Notes | From | Up to |
|---------|-----|-------------|----------------------------------|------------------------|------|-------|
| 1 | 1 | 122465612/1 | Hub With Pulley, Crankshaft Ø 25 | | | |
| 2 | 1 | 181004146/0 | Blade Standard | | | |
| 3 | 2 | 322672110/1 | Washer | | | |
| 4 | 1 | 322672105/0 | Washer | | | |
| 5 | 1 | 112508120/0 | Cup Spring | | | |
| 6 | 1 | 122041940/0 | Bushing | | | |
| 7 | 1 | 112736850/0 | Screw | | | |
| 8 | 1 | 112139150/0 | Feather, Crankshaft Ø 25 | | | |
| 9 | 3 | 122524329/0 | Pin | | | |
| 10 | 3 | 322672201/0 | Washer | | | |
| 11 | 1 | 381207221/1 | Flange, Yellow | | | |
| 12 | 3 | 322250012/0 | No Vibrations Rubber | | | |
| 13 | 3 | 122671651/0 | Washer | From 01-September-2009 | | |
| 13 | 3 | 322672201/0 | Washer | To 31-August-2009 | | |
| 14 | 3 | 112521350/0 | Washer | From 01-September-2009 | | |
| 14 | 3 | 122671651/0 | Washer | To 31-August-2009 | | |
| 15 | 3 | 112155000/0 | Nut | | | |
| 16 | 1 | 112791400/0 | Screw | | | |
| 17 | 1 | 122450444/0 | Spring | | | |
| 18 | 3 | 112735108/1 | Screw | | | |

Kees van der Spek
TUINMACHINES & STOLWIJK