

## IP 1210 S High-pressure washer



### Documenten

Deck

---

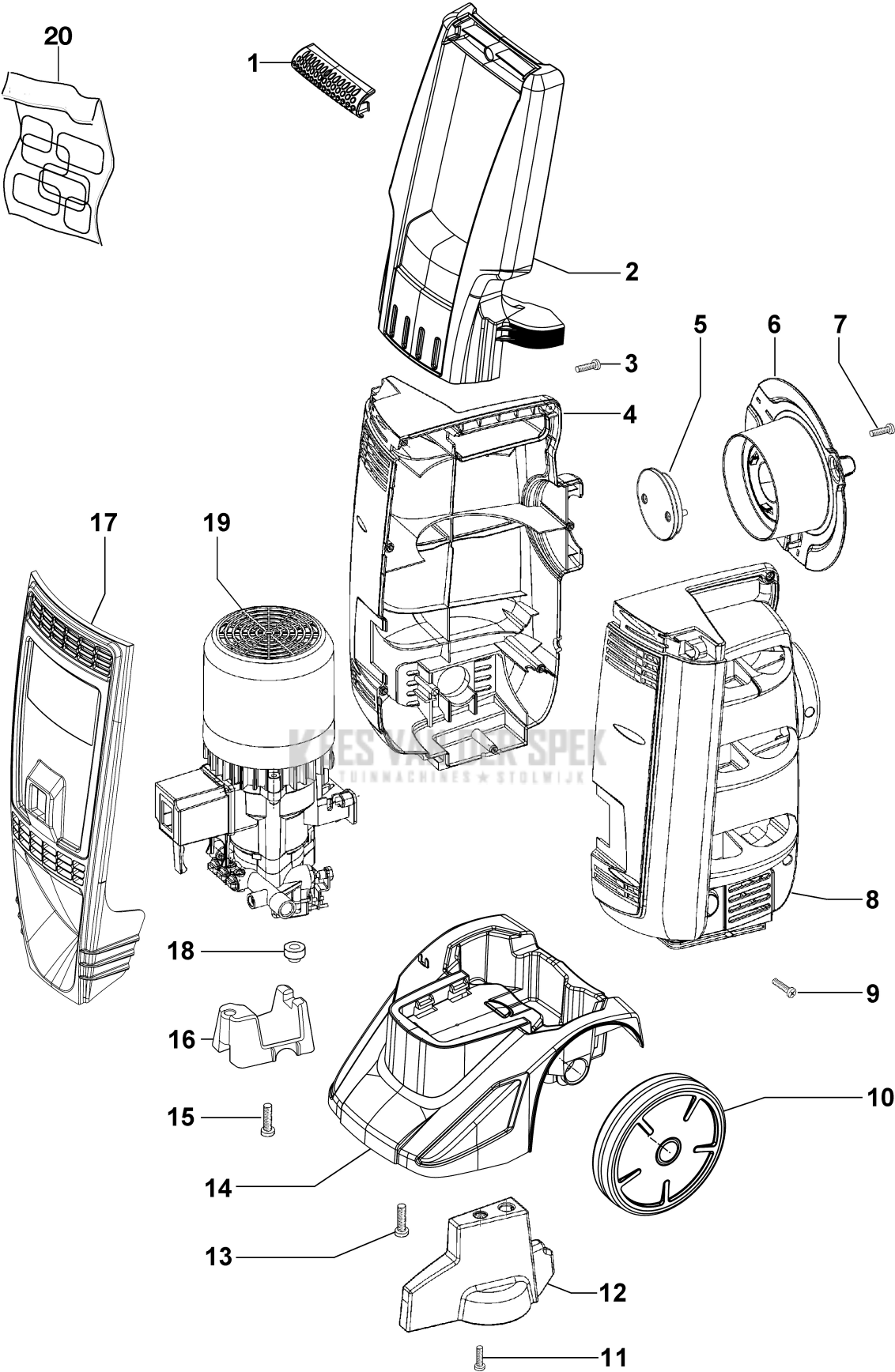
Engine

---

Accessories

---

**KEES VAN DER SPEK**  
TUINMACHINES ★ STOLWIJK

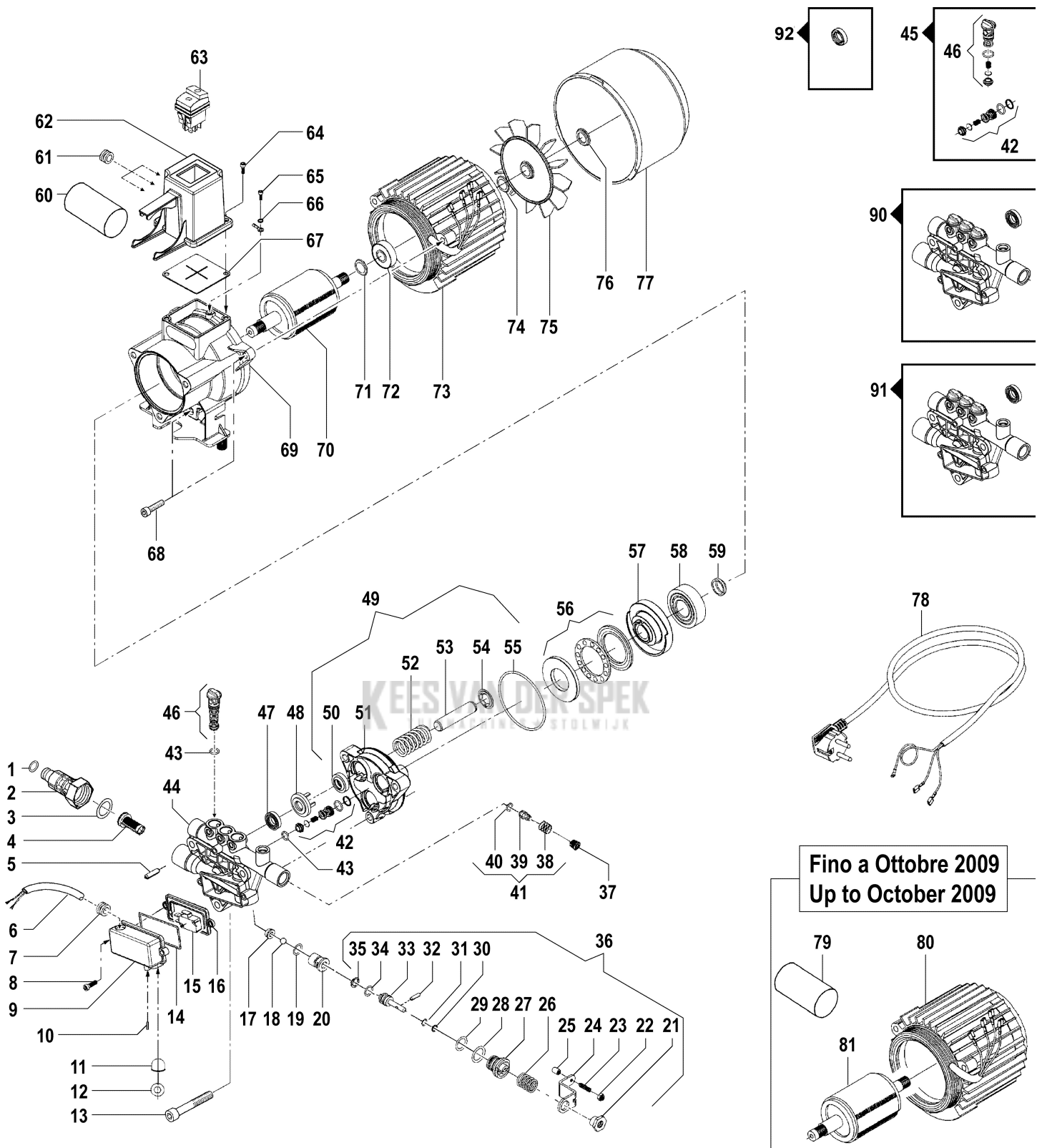


## Illustratie Deck

---

| Ref.Nu | Qty | Part number | Description                    | Validity from | Validity till | Notes | Bulletin |
|--------|-----|-------------|--------------------------------|---------------|---------------|-------|----------|
| 1      | 1   | CH04020311  | Handle cover                   |               |               |       |          |
| 2      | 1   | CH14110042A | Handle                         |               |               |       |          |
| 3      | 2   | CH36050114  | Screw                          |               |               |       |          |
| 4      | 1   | CH04770217A | Cover left                     |               |               |       |          |
| 5      | 1   | CH06020064  | Hose reel kit                  |               |               |       |          |
| 6      | 1   | CH06020060A | Hose reel                      |               |               |       |          |
| 7      | 2   | CH36050114  | Screw                          |               |               |       |          |
| 8      | 1   | CH04770218A | Cover right                    |               |               |       |          |
| 9      | 7   | CH36050114  | Screw                          |               |               |       |          |
| 10     | 2   | CH28100086A | Wheel                          |               |               |       |          |
| 11     | 1   | CH36050114  | Screw                          |               |               |       |          |
| 12     | 1   | CH30020608  | Stand                          |               |               |       |          |
| 13     | 2   | CH36050114  | Screw                          |               |               |       |          |
| 14     | 1   | CH32060311A | Frame                          |               |               |       |          |
| 15     | 1   | CH36250071  | Screw                          |               |               |       |          |
| 16     | 1   | CH24000106  | Support                        |               |               |       |          |
| 17     | 1   | CH04770225B | Cover                          |               |               |       |          |
| 18     | 1   | -           | Not available for this product |               |               |       |          |
| 19     | 1   | CH73040329  | Motorpump                      |               |               |       |          |
| 20     | 1   | CH32157783  | Labels kit                     |               |               |       |          |





Fino a Ottobre 2009  
Up to October 2009

## Illustratie Engine

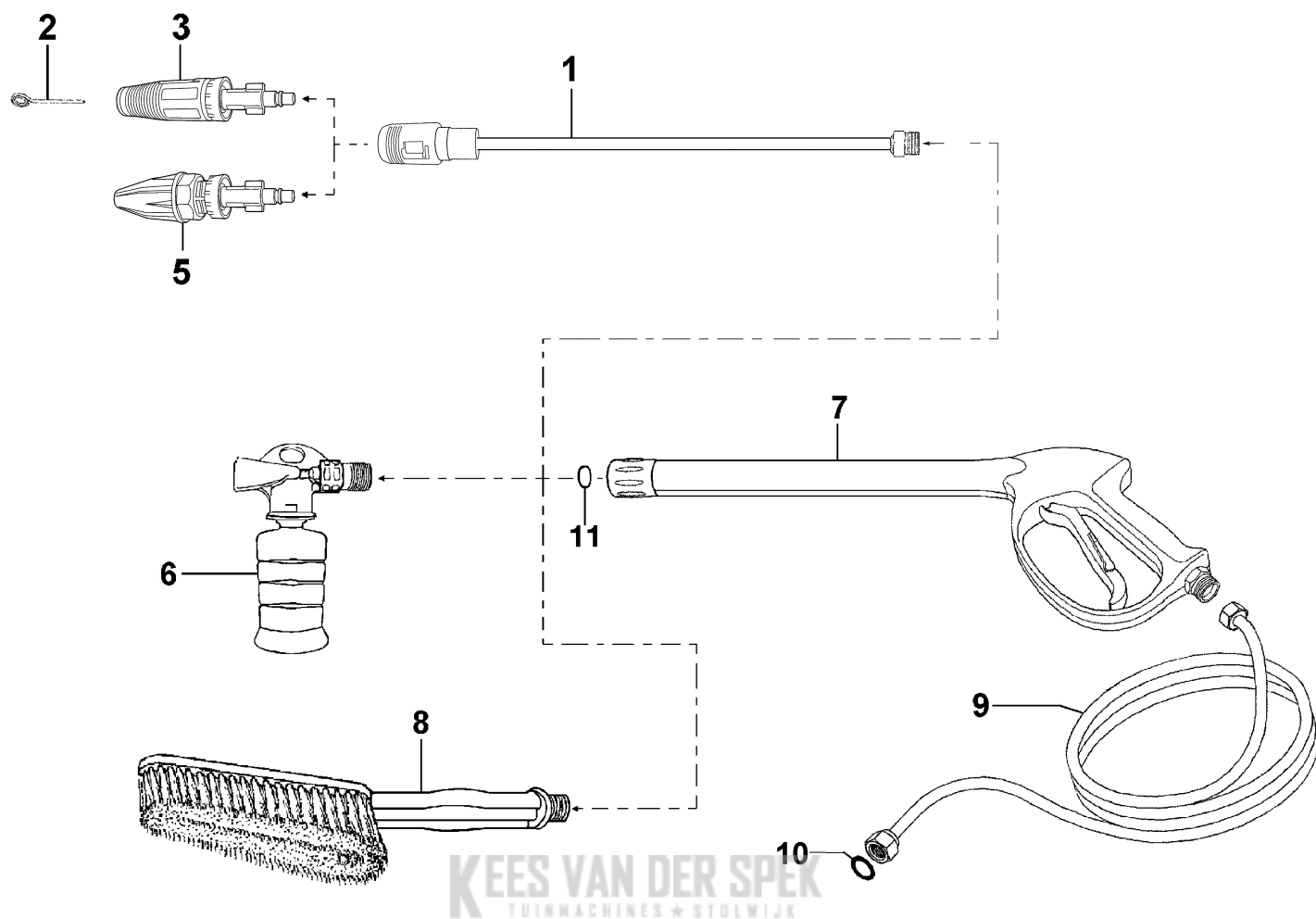
| Ref.Nu | Qty | Part number | Description               | Validity from | Validity till | Notes | Bulletin |
|--------|-----|-------------|---------------------------|---------------|---------------|-------|----------|
| 1      | 1   | CH12100057  | O-ring                    |               |               |       |          |
| 2      | 1   | CH28030524  | Fitting                   |               |               |       |          |
| 3      | 1   | CH12090111  | Gasket                    |               |               |       |          |
| 4      | 1   | CH10020132A | Water filter              |               |               |       |          |
| 5      | 3   | CH30210032  | Plug                      |               |               |       |          |
| 6      | 1   | CH04560322  | Cable                     |               |               |       |          |
| 7      | 1   | CH24340048  | Cable holder              |               |               |       |          |
| 8      | 2   | CH36090198  | Screw                     |               |               |       |          |
| 9      | 1   | CH04020276  | Cover                     |               |               |       |          |
| 10     | 1   | CH30050097  | Plug                      |               |               |       |          |
| 11     | 1   | CH24160112  | Guard                     |               |               |       |          |
| 12     | 1   | CH00090229  | Ring                      |               |               |       |          |
| 13     | 3   | CH36090039  | Screw                     |               |               |       |          |
| 14     | 1   | CH12100550  | O-ring                    |               |               |       |          |
| 15     | 1   | CH18250020  | Switch                    |               |               |       |          |
| 16     | 1   | CH04020290  | Half case                 |               |               |       |          |
| 17     | 1   | CH30090141  | Seat                      |               |               |       |          |
| 18     | 1   | CH30030035  | Ball                      |               |               |       |          |
| 19     | 1   | CH12100152  | O-ring                    |               |               |       |          |
| 20     | 1   | CH30090158  | Seat                      |               |               |       |          |
| 21     | 1   | CH32020241  | Screw                     |               |               |       |          |
| 22     | 1   | CH06040087  | Nut                       |               |               |       |          |
| 23     | 1   | CH36220047  | Total stop adjustable nut |               |               |       |          |
| 24     | 1   | CH16000093  | Lever                     |               |               |       |          |
| 25     | 1   | CH04320044  | Cap                       |               |               |       |          |
| 26     | 1   | CH18020249  | Spring                    |               |               |       |          |
| 27     | 1   | CH36050115  | Screw                     |               |               |       |          |
| 28     | 1   | CH12100390  | O-ring                    |               |               |       |          |
| 29     | 1   | CH12100049  | O-ring                    |               |               |       |          |
| 30     | 1   | CH00090110  | Ring                      |               |               |       |          |
| 31     | 1   | CH12100055  | O-ring                    |               |               |       |          |
| 32     | 1   | CH30210035  | Plug                      |               |               |       |          |
| 33     | 1   | CH00150194  | Easy start kit            |               |               |       |          |
| 34     | 1   | CH12100041  | O-ring                    |               |               |       |          |
| 35     | 1   | CH00090112  | Ring                      |               |               |       |          |
| 36     | 1   | CH12150363  | Valve                     |               |               |       |          |
| 37     | 1   | CH32020280  | Cap                       |               |               |       |          |
| 38     | 1   | CH18020284  | Spring                    |               |               |       |          |
| 39     | 1   | CH36000087  | Valve                     |               |               |       |          |
| 40     | 1   | CH12100220  | O-ring                    |               |               |       |          |
| 41     | 1   | CH50270025  | Reed valve kit            |               |               |       |          |
| 42     | 3   | CH12200068  | Valve                     |               |               |       |          |
| 43     | 6   | CH12100465  | O-ring                    |               |               |       |          |
| 44     | 1   | CH32180368A | Top cover                 |               |               |       |          |
| 45     | 1   | CH50250026  | Valve                     |               |               |       |          |

**KEES VAN DER SPEK**  
TUINMACHINES ★ STOLWIJK

## Illustratie Engine

| Ref.Nu | Qty | Part number | Description                    | Validity from | Validity till | Notes | Bulletin |
|--------|-----|-------------|--------------------------------|---------------|---------------|-------|----------|
| 46     | 3   | CH12200069  | Valve                          |               |               |       |          |
| 47     |     | -           | Not available for this product |               |               |       |          |
| 48     | 3   | CH00090318  | Ring                           |               |               |       |          |
| 49     | 1   | CH24320026  | Pump crankcase                 |               |               |       |          |
| 50     | 3   | CH00190124  | Seal ring                      |               |               |       |          |
| 51     | 1   | CH24320025  | Pump crankcase                 |               |               |       |          |
| 52     | 3   | CH18020213  | Spring                         |               |               |       |          |
| 53     | 3   | CH24090127  | Piston                         |               |               |       |          |
| 54     | 3   | CH00090317  | Ring                           |               |               |       |          |
| 55     | 1   | CH12100620  | O-ring                         |               |               |       |          |
| 56     | 1   | CH04360032  | Bearing                        |               |               |       |          |
| 57     | 1   | CH00010537  | Shaft                          |               |               |       |          |
| 58     | 1   | CH04380091  | Bearing                        |               |               |       |          |
| 59     | 1   | CH00190118  | Seal ring                      |               |               |       |          |
| 60     | 1   | CH04340020  | Condenser                      |               |               |       |          |
| 61     | 3   | CH24340048  | Cable holder                   |               |               |       |          |
| 62     | 1   | CH30010530  | Electrical box                 |               |               |       |          |
| 63     | 1   | CH14100130A | Switch                         |               |               |       |          |
| 64     | 2   | CH36250046  | Screw                          |               |               |       |          |
| 65     | 1   | CH36250072  | Screw                          |               |               |       |          |
| 66     | 1   | CH28070013  | Washer                         |               |               |       |          |
| 67     | 1   | CH12010196  | Gasket                         |               |               |       |          |
| 68     | 3   | CH36090114  | Screw                          |               |               |       |          |
| 69     | 1   | CH10090258B | Flange                         |               |               |       |          |
| 70     | 1   | CH00010672  | Crankshaft                     |               |               |       |          |
| 71     | 2   | CH12100420  | O-ring                         |               |               |       |          |
| 72     | 1   | CH04380090  | Bearing                        |               |               |       |          |
| 73     | 1   | CH30410324  | Stator kit                     |               |               |       |          |
| 74     | 1   | CH12410070  | Ring                           |               |               |       |          |
| 75     | 1   | CH36320083  | Motor fan kit                  |               |               |       |          |
| 76     | 1   | CH00090296  | Ring                           |               |               |       |          |
| 77     | 1   | CH04660029  | Fan cover                      |               |               |       |          |
| 78     | 1   | CH04560321  | Cable uk                       |               |               |       |          |
| 78     | 1   | CH04560318  | Cable                          |               |               |       |          |
| 79     | 1   | CH04340020  | Condenser                      |               |               |       |          |
| 80     | 1   | CH30410256  | Stator                         |               |               |       |          |
| 81     | 1   | CH00010589  | Shaft                          |               |               |       |          |
| 90     | 1   | CH33000092  | Top cover                      |               |               |       |          |
| 91     |     | -           | Not available for this product |               |               |       |          |
| 92     | 1   | CH50190666  | Gasket set                     |               |               |       |          |





## Illustratie Accessories

---

| Ref.Nu | Qty | Part number | Description                    | Validity from | Validity till | Notes | Bulletin |
|--------|-----|-------------|--------------------------------|---------------|---------------|-------|----------|
| 1      | 1   | 68500033    | Lance with adjustable nozzle   |               |               |       |          |
| 2      | 1   | CH04550013  | Needle                         |               |               |       |          |
| 3      | 1   | 68500041    | Adjustable nozzle head         |               |               |       |          |
| 5      | 1   | 68500043    | Rotative nozzle head           |               |               |       |          |
| 6      | 1   | 68500049    | Lance                          |               |               |       |          |
| 7      | 1   | 68500029    | Spray gun                      |               |               |       |          |
| 8      |     | -           | Not available for this product |               |               |       |          |
| 9      | 1   | 68500019    | H.p. hose kit                  |               |               |       |          |
| 10     | 1   | CH12100703  | Ring                           |               |               |       |          |
| 11     | 1   | CH12100084  | O-ring                         |               |               |       |          |

**KEES VAN DER SPEK**  
TUINMACHINES ★ STOLWIJK