

HUSQVARNA - SPARE PARTS CATALOG
LAWN MOWERS: ELECTRIC: FLYMO TURBO LITE 250

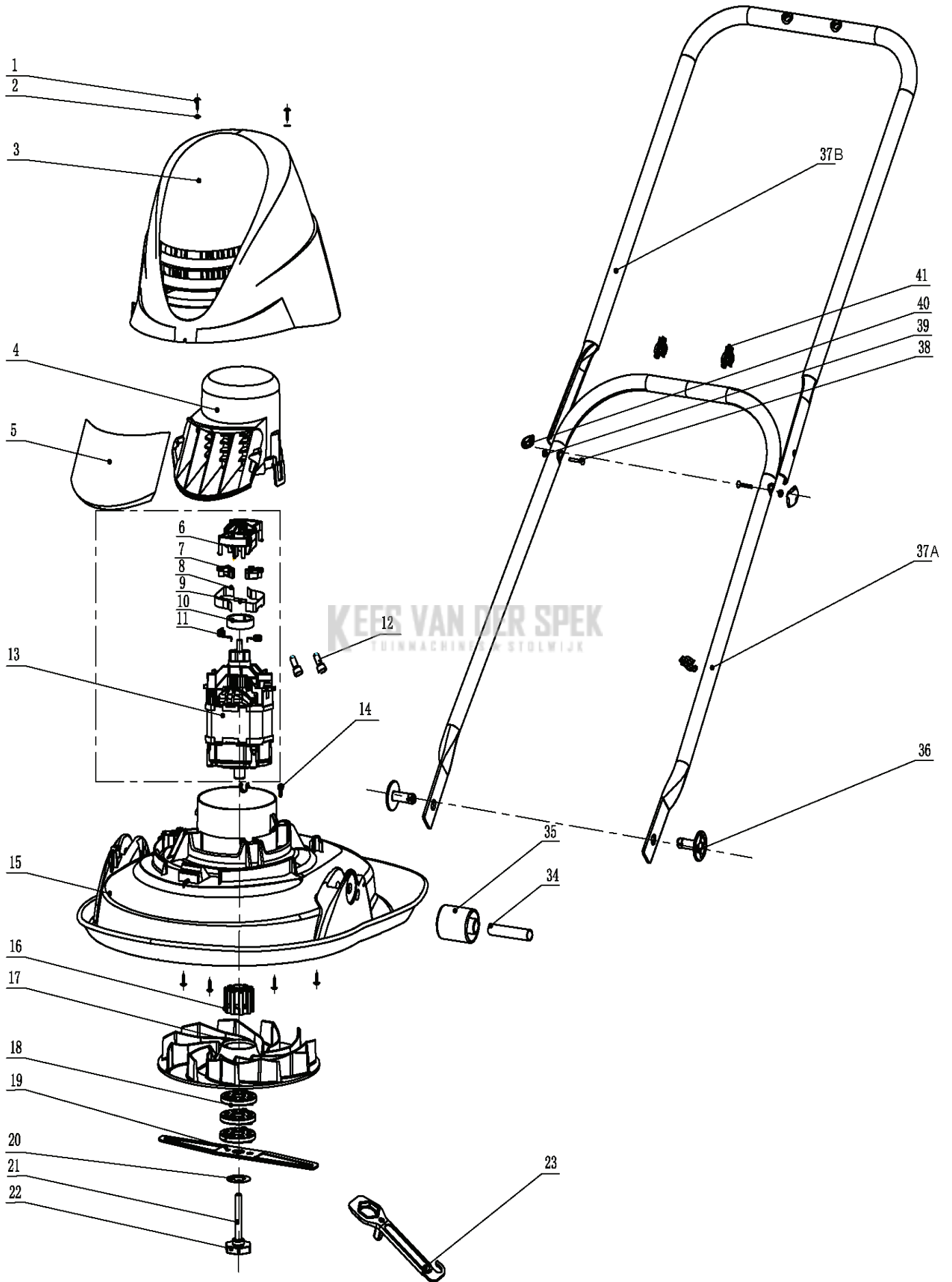
KEES VAN DER SPEK
TUINMACHINES ★ STOLWIJK

Sparepartslist

SPAREPARTSLIST

LAWN MOWERS: ELECTRIC

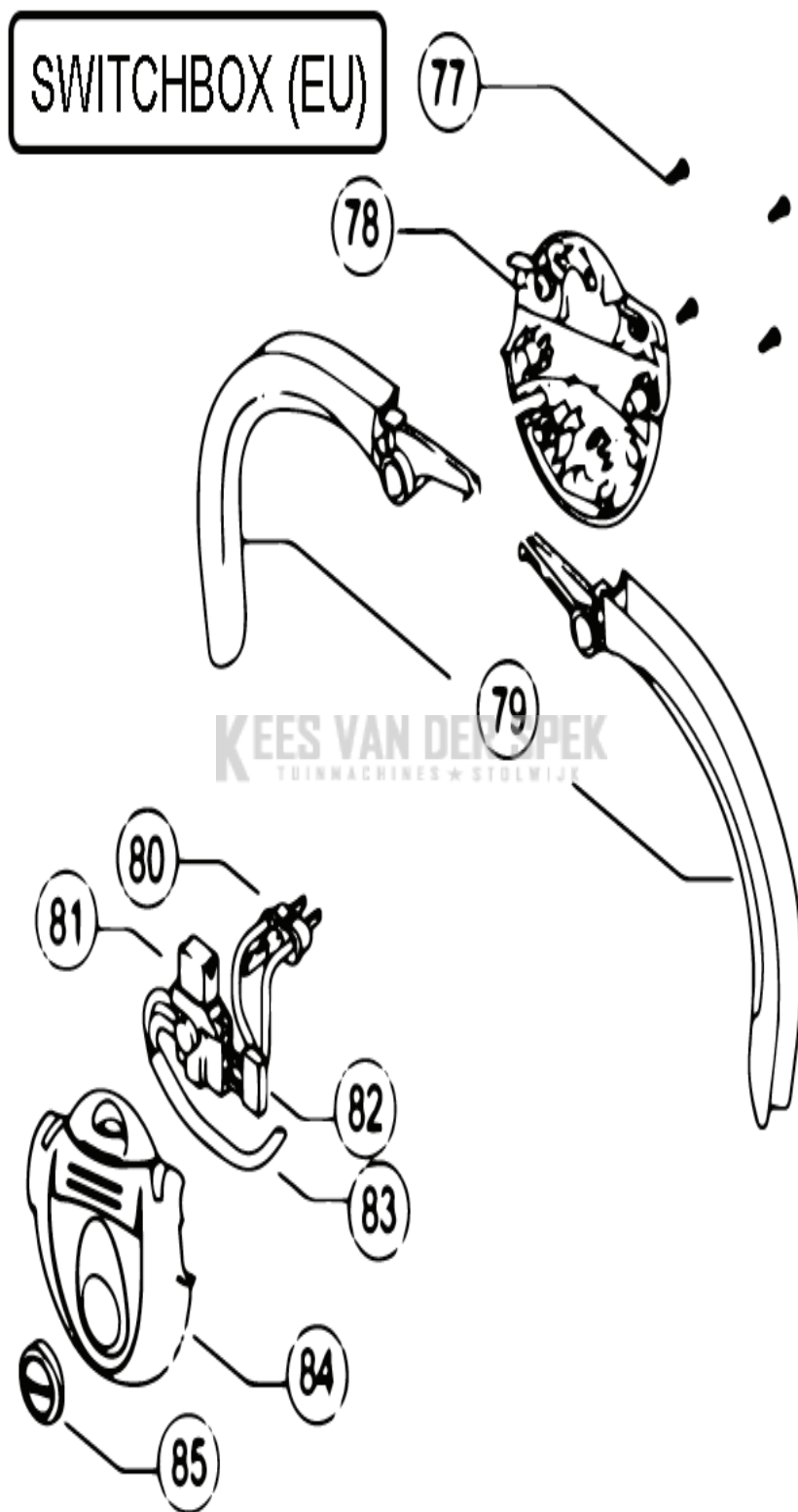
FLYMO TURBO LITE 250



LAWN MOWERS: ELECTRIC

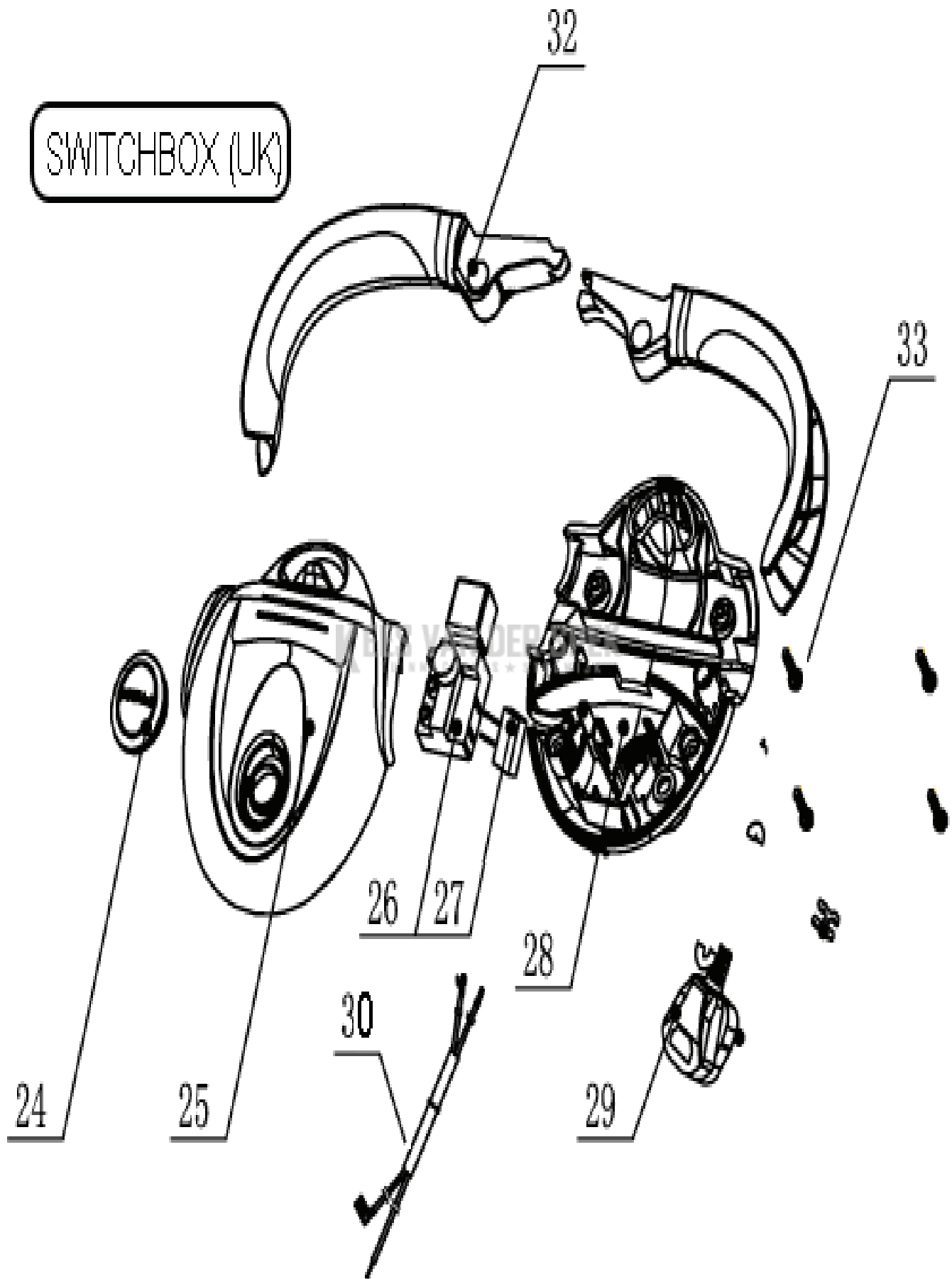
| PXM_REF | PXM_PARTNO | DESCRIPTION | PXM_REMARK | QTY | |
|-----------|------------|---------------|-----------------------|-----|-----|
| 597363001 | 597363001 | SCREW KIT | SCREW KIT (PACK OF 6) | 1 | 1 |
| 597363101 | 597363101 | SCHOKDEMPER | WASHERS (PACK OF 2) | 1 | 2 |
| 597361101 | 597361101 | MOTORKAP | COVER - TURBOLITE | 1 | 3 |
| 597361501 | 597361501 | MOTORKAP | MOTOR COVER | 1 | 4 |
| 597361701 | 597361701 | LUCHTFILTER | AIR FILTER | 1 | 5 |
| 597361801 | 597361801 | MOTOR COMPL | MOTOR ASSEMBLY | 1 | |
| 597361901 | 597361901 | DECK | CUTTING DECK | 1 | 15 |
| 597362001 | 597362001 | IMPELLER ASSY | IMPELLER ASSEMBLY | 1 | |
| 513811090 | 513811090 | RING | SPACER | 3 | 18 |
| 597287501 | 597287501 | MOWER BLADE | BLADE - 25 CM | 1 | 19 |
| 597362101 | 597362101 | SCREW KIT | BLADE BOLT KIT | 1 | |
| 510778064 | 510778064 | SLEUTEL | SPANNER | 1 | 23 |
| 597362301 | 597362301 | WIEL COMPL | ROLLER ASSEMBLY | 1 | |
| 597362401 | 597362401 | KNOB ASSY | HANDLE FIXING | 1 | 36 |
| 597362501 | 597362501 | HANDGREEPPIJP | UPPER HANDLE | 1 | 37B |
| 597362601 | 597362601 | HANDGREEPPIJP | LOWER HANDLE | 1 | 37A |
| 511956390 | 511956390 | KIT | WING KNOB KIT | 1 | |
| 577298401 | 577298401 | KLEM | CABLE CLIP | 3 | 41 |

KEES VAN DER SPEK
TUINMACHINES ★ STOLWIJK



LAWN MOWERS: ELECTRIC

| PXM_REF | PXM_PARTNO | DESCRIPTION | PXM_REMARK | QTY |
|---------|------------|-------------|-----------------------|------|
| 77 | 513087300 | SCREW | SCREWS (PACK OF 6) | 1 77 |
| 78 | 574626801 | SCHAKELBOX | LOWER SWITCH BOX (EU) | 1 78 |
| 79 | 510762800 | HEFBOOM | LEVER | 2 79 |
| 80 | 574645701 | PENNEN | RETAINER PIN (EU) | 1 80 |
| 81 | 522720902 | SCHAKELAAR | SWITCH | 1 81 |
| 82 | 513121600 | CONDENSATOR | CAPACITOR | 1 82 |
| 83 | 510790300 | POWER CORD | POWER CABLE | 1 83 |
| 84 | 511945668 | SCHAKELBOX | UPPER SWITCHBOX | 1 84 |
| 85 | 513103064 | KNOOP | LOCK-OFF BUTTON | 1 85 |



LAWN MOWERS: ELECTRIC

| PXM_REF | PXM_PARTNO | DESCRIPTION | PXM_REMARK | QTY | |
|-----------|------------|--------------------|-------------------------|-----|----|
| 513103064 | 513103064 | KNOOP | LOCK-OFF BUTTON | 1 | 24 |
| 511945668 | 511945668 | SCHAKELBOX | UPPER SWITCHBOX | 1 | 25 |
| 510770500 | 510770500 | SCHAKELBOX | LOWER SWITCH BOX (UK) | 1 | 28 |
| 512803105 | 512803105 | VERLENG KABEL | POWER CABLE & PLUG (UK) | 1 | 29 |
| 510762800 | 510762800 | HEFBOOM | LEVER | 2 | 32 |
| 513087300 | 513087300 | SCREW | SCREWS (PACK OF 6) | 1 | 33 |
| 597362201 | 597362201 | ELEKTRISCH SYSTEEM | ELECTRICAL SYSTEM | 1 | |