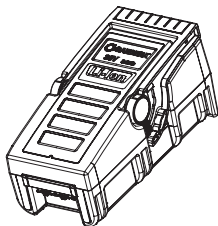


**Li-Ion 18 V / 2,6 Ah Art. 8835**

**Li-Ion 18 V / 1,6 Ah Art. 8839**

**Li-Ion 25 V / 3,0 Ah Art. 8838**



**Li-Ion 36 V / 3,0 Ah Art. 8836**

**Li-Ion 36 V / 4,5 Ah Art. 8837**

**DE Betriebsanleitung**  
Wechselaccu

**EN Operating Instructions**  
Replacement Battery

**FR Mode d'emploi**  
Batterie remplaçable

**NL Gebruiksaanwijzing**  
Wisselaccu

**SV Bruksanvisning**  
Utbytes Batteri

**DA Brugsanvisning**  
Batteri

**FI Käyttöohje**  
Vara-akku

**NO Bruksanvisning**  
Utbyttbart Batteri

**IT Istruzioni per l'uso**  
Batteria di ricambio

**ES Instrucciones de empleo**  
Batería de sustitución

**PT Manual de instruções**  
Acumulador de substituição

**PL Instrukcja obsługi**  
Akumulator

**HU Használati utasítás**  
Csereakkumulátor

**CS Návod k obsluze**  
Náhradní akumulátor

**SK Návod na obsluhu**  
Náhradný akumulátor

**EL Οδηγίες χρήσης**  
Ανταλλακτική μπαταρία

**RU Инструкция по эксплуатации**  
Батарея сменная

**SL Navodilo za uporabo**  
Nadomestni akumulator

**HR Uputa za upotrebu**  
Zamjenska accu baterija

**SR / BS Upustvo za korisnike**  
Rezervna punjiva baterija

**UK Інструкція з експлуатації**  
Змінний акумулятор

**RO Instrucțiuni de utilizare**  
Baterie rezervă

**TR Kullanma Kılavuzu**  
Değiştirilebilir Batarya

**BG Инструкция за експлоатация**  
Сменяеми батерии

**SQ Manual përdorimi**  
Akumulator këmbyses

**ET Kasutusjuhend**  
Vahetusaku

**LT Naudojimosi instrukcija**  
Keičiamas akumuliatorius

**LV Lietošanas instrukcija**  
Maināmais akumulators



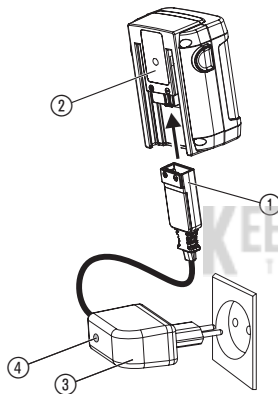
Li-Ion 18 V / 2,6 Ah (Art. 8835)

Li-Ion 18 V / 1,6 Ah (Art. 8839)

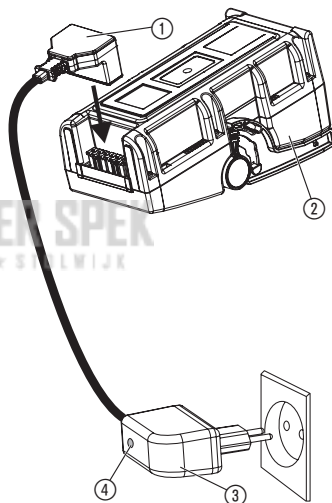
Li-Ion 25 V / 3,0 Ah (Art. 8838)

Li-Ion 36 V / 3,0 Ah (Art. 8836)

Li-Ion 36 V / 4,5 Ah (Art. 8837)



Li-Ion 18 V / 2,6 Ah (Art. 8835)



## **GARDENA Replacement Battery Li-Ion 18 V/25 V/36 V Battery**

Translation of the original German operating instructions.

Please read these operating instructions carefully and observe the notes given. Acquaint yourself with the use of the battery, the charging technology (see operating instructions GARDENA Rechargeable Battery unit) and observe the safety instructions.

For safety reasons, children under the age of 16 as well as people, who are not acquainted with the instructions should not use the battery. Persons with reduced physical or mental abilities may use the product only if they are supervised or instructed by a responsible person. Children must be supervised to ensure that they do not play with the product. Never operate the product when you are tired, ill or under the influence of alcohol, drugs or medicine.

→ Please keep these operating instructions in a safe place.

### **1. Area of application of your GARDENA Replacement Battery**

*Proper use as directed:*

The rechargeable battery is used as a power supply for the relevant GARDENA cordless appliances and is intended for use in private house and hobby gardens. The replacement battery must not be used in public facilities, parks, sports grounds, next to roads or in agriculture or forestry. Observance of the operating instructions provided by GARDENA is a prerequisite for correct use of the rechargeable battery.

### **2. Safety Instructions**

→ Please observe the safety instructions on the battery.



**FIRE RISK! Short-circuit!**

→ **Do not bridge the contacts of the battery with metal components.**

*Check your replacement battery before each use:*

Visually check the battery before each use. A damaged battery must be disposed of and must not be posted or transported.

*Use / responsibility:*

Attention! For risks of injury the battery must not be used as power source for other devices. Only use the battery for the GARDENA appliances intended.

*Electrical safety:*



**FIRE RISK!**

→ **The battery to be charged must be placed on a non-flammable, heat resistant and non-conductive surface while charging.**

**Keep corrosive, flammable and easily combustible objects clear of the battery charger and the battery.**

**Do not cover the battery charger and the battery while charging. Unplug the battery charger immediately in the event of smoke formation or fire.**

Only original GARDENA Charger Units may be used for charging.

The use of other battery chargers may damage the batteries irreparably and even cause a fire.



**RISK OF EXPLOSION!**

**Protect batteries from heat and fire. Do not leave on radiators or expose to strong sunshine for long periods.**

Only use and charge the battery in ambient temperatures of between 5 °C and 45 °C. Allow battery to cool down after long periods of use (cooling time up to 1 hr.). An excessively hot battery cannot be charged.

The charging cable should be checked regularly for signs of damage or ageing (brittleness) and may only be used if it is in perfect condition.

*Storage:*

Do not store the battery above 45 °C or in direct sunlight. Ideally, the battery should be stored below 25 °C so that self-discharge is low. Never store while still attached to a tool, this prevents misuse and accidents.

Do not store the battery in places where static electricity is present.

Warning! This machine produces an electromagnetic field during operation. This field may under some circumstances interfere with active or passive medical implants. To reduce the risk of serious or fatal injury, we recommend persons with medical implants to consult their physician and the medical implant manufacturer before operating this machine. Do not use the product when a thunderstorm is approaching.

Danger! Small parts could be swallowed during assembly and there is a risk of suffocation from the polybag. Keep infants away during assembly.

### 3. Initial Operation

Charging the battery (see page 2):



#### ATTENTION!

**Overvoltage damages batteries and the battery charger.**

→ Ensure the correct mains voltage.

Before using for the first time, the battery must be fully charged.

The lithium-ion battery can be charged in any state of charge and the charging process can be interrupted at any time without harming the battery (no memory effect).

1. Plug the plug of the charger cable ① into the battery ②.
2. Plug standard charger ③ into a mains power socket.

**Charging control lamp ④ is lit red:  
Battery is being charged.**

**Charging control lamp ④ is lit green:  
Battery is fully charged.**

(For charging time, see 7. Technical Data).

Check the charge status regularly while charging.

3. Once completely charged, disconnect the battery ② from the battery charger ③. Disconnect the battery ② from the battery charger ③ first, then unplug the battery charger ③.

### 4. Storage

*Storage / overwintering:*

The battery must be stored out of the reach of children.

1. Charging the battery.
2. Store the battery in a dry place.



**Li-ion Disposal of batteries:**

The GARDENA battery contains lithium-ion cells that should not be discarded with normal household waste at the end of their life.

*Important:*

Please return the lithium-ion batteries to your GARDENA dealer or dispose of them properly at a public recycling centre.

1. Discharge lithium-ion cells completely.
2. Dispose of lithium-ion cells properly.

### 5. Maintenance

Make sure the surface and the contacts of the battery always are clean and dry before connecting the charging unit. When dirty clean them with a soft, dry rag; never use running water.

### 6. Troubleshooting

Error messages of the error-LED (see page 2) Art. 8835.

Problem	Possible Cause	Remedy
Device stops and the error-LED flashes.	1. Battery Overload.	Wait 10 sec. When the warning LED doesn't flash, start again.
	2. High temperature. The allowed operation temperature was exceeded.	Wait approx. 15 min. When the warning LED doesn't flash, start again.
Device stops and the warning-LED doesn't flash.	Battery is discharged.	Charge the Battery.

In the event of faults, please contact GARDENA Service.

Repairs must only be carried out by GARDENA service departments or specialist dealers authorised by GARDENA.

### 7. Technical Data

	Art. 8839	Art. 8835	Art. 8838	Art. 8836	Art. 8837
Battery voltage	<b>Li-Ion 18 V</b>	<b>Li-Ion 18 V</b>	<b>Li-Ion 25 V</b>	<b>Li-Ion 36 V</b>	<b>Li-Ion 36 V</b>
Battery capacity	1.6 Ah	2.6 Ah	3.0 Ah	3.0 Ah	4.5 Ah
Approx. charging time* 90 % full:	2 hrs	3.5 hrs	5 hrs	4.5 hrs	7.5 hrs
Approx. charging time* 100 % full:	5 hrs	7 hrs	11 hrs	9 hrs	15 hrs

\* Charging time with standard charger

With the Quick Battery Charger art. 8831 available as an accessory from GARDENA, the batteries can be charged up to 3 times faster.

## **8. Service / Warranty**

**Service:** Please contact the address on the back page.

**Warranty:** In the event of a warranty claim, no charge is levied to you for the services provided. GARDENA Manufacturing GmbH offers a two-year warranty (effective as of the date of purchase) for this product. This warranty includes all significant defects of the product that can be proved to be material or manufacturing faults. This warranty is fulfilled by supplying a fully functional replacement product or by repairing the faulty product sent to us free of charge; we reserve the right to choose between these options. This service is subject to the following provisions:

- The product was used for its intended purpose as per the recommendations in the operating instructions.
- Neither the purchaser nor a third party has attempted to repair the product.

This manufacturer's warranty does not affect warranty entitlements against the dealer/retailer. If problems arise with this product, please contact our Service department or send the defective product along with a brief description of the fault to GARDENA Manufacturing GmbH, making sure to have sufficiently covered any shipping costs and to have followed the relevant postage and packaging guidelines. A warranty claim must be accompanied by a copy of the proof of purchase.

### **Product Liability**

In accordance with the German Product Liability Act, we hereby expressly declare that we accept no liability for damage incurred from our products where said products have not been properly repaired by a GARDENA-approved service partner or where original GARDENA parts or parts authorised by GARDENA were not used.

**DE EU-Konformitätserklärung**

Der Unterzeichner, Husqvarna AB, 561 82 Huskvarna, Schweden, bescheinigt hiermit, dass die nachstehend aufgeführten Geräte bei Verlassen des Werks die harmonisierten EU-Leitlinien, EU-Normen für Sicherheit und besondere Normen erfüllen. Dieses Zertifikat verliert seine Gültigkeit, wenn die Geräte ohne unsere Genehmigung verändert werden.

**EN EC Declaration of Conformity**

The undersigned, Husqvarna AB, 561 82 Huskvarna, Sweden, hereby certifies that, when leaving our factory, the units indicated below are in accordance with the harmonised EU guidelines, EU standards of safety and product specific standards. This certificate becomes void if the units are modified without our approval.

**FR Déclaration de conformité CE**

Le constructeur, soussigné : Husqvarna AB, 561 82 Huskvarna, Suède, déclare qu'à la sortie de ses usines le matériel neuf désigné ci-dessous était conforme aux prescriptions des directives européennes énoncées ci-après et conforme aux règles de sécurité et autres règles qui lui sont applicables dans le cadre de l'Union européenne. Toute modification apportée à cet appareil sans notre accord annule la validité de ce certificat.

**NL EG-conformiteitsverklaring**

De ondergetekende, Husqvarna AB, 561 82 Huskvarna, Zweden, verklaart hierbij dat de producten die hieronder staan vermeld, wanneer ze onze fabriek verlaten, in overeenstemming zijn met de geharmoniseerde Europese richtlijnen, EU-normen voor veiligheid en productspecifieke normen. Dit certificaat vervalt als de producten worden aangepast zonder onze toestemming.

**SV EG-försäkran om överensstämmelse**

Undertecknad firma Husqvarna AB, 561 82 Huskvarna, Sverige, intygar härmed att nedan nämnda produkter, när de lämnar vår fabrik, överensstämmer med EU:s riktlinjer, EU:s säkerhetsstandarder och produktspecifika standarder. Detta intyg skall ogiltigförklaras om produkten ändras utan vårt godkännande.

**DA EU-overensstemmelseserklæring**

Undertegnede, Husqvarna AB, 561 82 Huskvarna, Sverige erklærer hermed, at nedenfor anførte enheder er i overensstemmelse med de harmoniserede EU-rettninglinjer, EU-standarder for sikkerhed og produktspecifikke standarder, når de forlader fabrikken. Denne erklæring ugyldiggøres, hvis enhederne ændres uden vores godkendelse.

**FI EY-vaatimustenmukaisuusvakuutus**

Husqvarna AB, 561 82 Huskvarna, Ruotsi, vakuuttaa täten, että alla mainitut laitteet ovat tehtaalta lähtiessään yhdenmukaistettujen EU-säännösten, EU:n turvastandardien ja tuotekohtaisten standardien mukaisia. Tämä vakuutus mitätöityy, jos laitteita muutetaan ilman hyväksyntäämme.

**IT Dichiarazione di conformità CE**

La sottoscritta Husqvarna AB, 561 82 Huskvarna, Svezia, certifica che il prodotto qui di seguito indicato, nei modelli da noi commercializzati, è conforme alle direttive armonizzate UE nonché agli standard di sicurezza UE e agli standard specifici di prodotto. Qualunque modifica apportata al prodotto senza nostra specifica autorizzazione invalida la presente dichiarazione.

**ES Declaración de conformidad CE**

El abajo firmante, Husqvarna AB, 561 82 Huskvarna, Suecia, certifica por la presente que, cuando salen de la fábrica, las unidades indicadas a continuación cumplen las normas de armonización de la UE, las normas de la UE sobre seguridad y las normas específicas del producto. Este certificado quedará sin efecto si se modifican las unidades sin nuestra autorización.

**PT Declaração de conformidade CE**

O abaixo-assinado, Husqvarna AB, 561 82 Huskvarna, Suécia, certifica por este meio que, ao sair da nossa fábrica, as unidades indicadas acima estão em conformidade com as diretrizes uniformizadas da UE, os padrões de segurança da UE e os padrões específicos do produto. Este certificado deixa de ser válido se as unidades forem modificadas sem a nossa aprovação.

**PL Deklaracja zgodności WE**

Niżej podpisany przedstawiciel firmy Husqvarna AB, 561 82 Huskvarna, Szwecja, niniejszym oświadczam, że podane poniżej wyroby opuszczające fabrykę są zgodne ze zharmonizowanymi normami UE oraz z obowiązującymi w UE przepisami bezpieczeństwa i normami dotyczącymi danego produktu. Modyfikacja wyrobów bez naszej zgody powoduje unieważnienie niniejszego certyfikatu.


**HU EK megfeleléségi nyilatkozat**

Alulírott Husqvarna AB, 561 82 Huskvarna, Svédország ezzel tanúsítja, hogy az alábbiakban leírt egységek a gyár elhagyásakor megfeleleltek a harmonizált uniós előírásoknak és biztonsági és termékspecifikus szabványoknak. Ez a tanúsítvány érvényét veszti, ha az egységeket jóváhagyásunk nélküli átalakítják.

<p><b>CS Prohlášení o shodě ES</b>  Niže uvedená společnost Husqvarna AB, 561 82 Huskvarna, Švédsko, tímto potvrzuje, že při opuštění naší továrny jsou jednotky uvedené níže v souladu s harmonizovanými pokyny EU, standardy EU ohledně bezpečnosti a specifickými produktovými standardy. Tento certifikát pozbývá platnosti, pokud dojde k úpravě jednotek bez našeho schválení.</p>	<p><b>RO Declarație de conformitate CE</b>  Subscrisa, Husqvarna AB, 561 82 Husqvarna, Suedia, certifică prin prezenta că, la momentul ieșirii din fabrica noastră, unitățile indicate mai jos sunt în conformitate cu directivele UE armonizate, cu standardele UE de siguranță și cu standardele specifice ale produsului. Prezentul certificat devine nul dacă unitățile sunt modificate fără aprobarea noastră.</p>
<p><b>SK EÚ vyhlásenie o zhode</b>  Dolu podpísaná spoločnosť Husqvarna AB, 561 82 Huskvarna, Švédsko týmto osvedčuje, že nižšie uvedené jednotky boli v súlade s harmonizovanými usmerneniami EÚ, normami EÚ v oblasti bezpečnosti a špecifickými normami týkajúcimi sa produktu v čase opustenia výrobného závodu. Toto osvedčenie stráca platnosť, ak boli jednotky zmenené bez nášho súhlasu.</p>	<p><b>BG Декларация за съответствие на ЕО</b>  С настоящото долуподписаната, Husqvarna AB, 561 82 Huskvarna, Швеция, удостоверява, че при напускане на фабриката модулите, посочени по-долу, са в съответствие с хармонизираните директиви на ЕС, стандартите на ЕС за безопасност и специфичните за продукта стандарти. Този сертификат става невалиден, ако модулите са променени без нашето одобрение.</p>
<p><b>EL Δήλωση Συμμόρφωσης ΕΚ</b>  Η υπογεγραμμένη εταιρεία, Husqvarna AB, 561 82 Huskvarna, Σουηδία, πιστοποιεί ότι, κατά την έξοδο από το εργοστάσιο, οι μονάδες που αναφέρονται κατωτέρω συμμορφώνονται με τις εναρμονισμένες οδηγίες ΕΕ, τα πρότυπα ασφαλείας της ΕΕ και τα συγκεκριμένα πρότυπα προϊόντος. Αυτό το πιστοποιητικό καθίσταται άκυρο εάν οι μονάδες έχουν τροποποιηθεί χωρίς την έγκρισή μας.</p>	<p><b>ET EÜ vastavusdeklaratsioon</b>  Allkirjutatu Husqvarna AB, 561 82 Huskvarna, Rootsi, kinnitab käesolevaga, et tehased väljumisel vastavad allpool nimetatud seadmed harmoneeritud EL-i suunistele, EL-i ohutusstandarditele ja tootele eriomastele standarditele. See vastavuskinnitus kaotab kehtivuse, kui seadet muudetakse ilma meie heakskiiduta.</p>
<p><b>SL Izjava ES o skladnosti</b>  Spodaj podpisana, Husqvarna AB, 561 82 Huskvarna, Švedska, s to izjavo potrjuje, da je bila spodaj navedena enota ob izhodu iz tovarne skladna z usklajenimi smernicami EU, standardi EU za varnost in standardi, specifičnimi za izdelek. Izjava postane neveljavna v primeru neodobrene spremembe enote.</p>	<p><b>LT EB atitikties deklaracija</b>  Husqvarna AB, 561 82 Huskvarna, Sweden, garantuoja, kad iš gamyklos siunčiami toliau nurodyti įrenginiai atitinka suderintus EB reikalavimus, EB saugos ir konkretaus gaminio standartus. Pakeitus gaminį be mūsų patvirtinimo, nutraukiamas šio sertifikato galiojimas.</p>
<p><b>HR Izjava o usklađenosti EZ</b>  Niže potpisana Husqvarna AB, 561 82 Huskvarna, Švedska, ovime potvrđuje kako su u nastavku navedene jedinice prilikom napuštanja tvornice bile u skladu s usklađenim smjericama EU, EU sigurnosnim standardima i standardima specifičnima za proizvod. Ova certifikacija poništava se ako se jedinice izmjenjuju bez odobrenja.</p>	<p><b>LV EK atbilstības deklarācija</b>  Uzņēmums Husqvarna AB, 561 82 Huskvarna, Zviedrija, ar parakstu apliecina, ka tālāk minētās vienības, pamatot rūpniec, atbilst saskaņotajām ES vadlīnijām, ES drošības standartiem un izstrādājummam specifiskajiem standartiem. Šis sertifikāts tiek anulēts, ja šīs vienības tiek modificētas bez mūsu apstiprinājuma.</p>

Bezeichnung der Geräte:	<b>Wechselaccu</b>	Typ:	Art.-Nr.:
Description of the units:	<b>Replacement Battery</b>	Type:	Art. No.:
Désignation du matériel :	<b>Batterie remplaçable</b>	Type :	Référence :
Omschrijving van de apparaten:	<b>Wisselaccu</b>	Typ:	Art.nr.:
Produktbeskrivning:	<b>Utbytes Batteri</b>	Typ:	Art.nr.:
Beskrivelse af produktet:	<b>Batteri</b>	Typ:	Art. nr.:
Laitteiden nimitys:	<b>Vara-akku</b>	Tuuyppi:	Tuoten:o
Descrizione dei prodotti:	<b>Batteria di ricambio</b>	Modello:	Art.:
Descripción de la mercancía:	<b>Batería de sustitución</b>	Tipo:	Art. No:
Descrição dos aparelhos:	<b>Acumulador de substituição</b>	Tipo:	Art. no:
Nazwa urządzenia:	<b>Akumulator</b>	Typ:	Nr artykułu:
A készülékek megnevezése:	<b>Csereakkumulátor</b>	Típusok:	Cikkszám:
Označení přístrojů:	<b>Náhradní akumulátor</b>	Typ:	Číslo artiklu:
Označenie zariadenia:	<b>Náhradný akumulátor</b>	Typ:	Art.:
Όνομασία της συσκευής:	<b>Ανταλλακτική μπαταρία</b>	Τύποι:	Αριθ. είδους:
Opis naprave:	<b>Nadomestni akumulator</b>	Tip:	Art št.:
Oznaka uređaja:	<b>Zamjenska accu baterija</b>	Tipovi:	br. art.
Descrierea articolelor:	<b>Baterie rezervă</b>	Tip:	Nr art.:
Обозначение на уредите:	<b>Сменями батерии</b>	Тип:	Арт. номер:
Seadmete nimetus:	<b>Vahetusaku</b>	Mudel:	Toote nr:
Prietaisų pavadinimas:	<b>Keičiamas akumuliatorius</b>	Típus:	Gaminio nr.:
lekārtu apzīmējums:	<b>Maināmais akumulators</b>	Modelis:	Izstr.:
			<b>Art. 8838</b>
		Hinterlegte Dokumentation: GARDENA Technische Dokumentation, M. Kugler, 89079 Ulm	
		Deposited Documentation: GARDENA Technical Documentation, M. Kugler, 89079 Ulm	
		Documentation déposée: Documentation technique GARDENA, M. Kugler, 89079 Ulm	



<p>Harmonisierte EN:</p> <p><b>Batterie / Battery:</b></p> <p><b>IEC 62133</b></p>	<p><b>Ladegerät / Battery charger</b> (4025-00.640.00):</p> <p><b>EN ISO 12100</b></p> <p><b>EN 60335-1</b></p> <p><b>EN 60335-2-29</b></p>	<p>Ulm, den 12.05.2016</p> <p>Ulm, 12.05.2016</p> <p>Fait à Ulm, le 12.05.2016</p> <p>Ulm, 12-05-2016</p> <p>Ulm, 2016.05.12.</p> <p>Ulm, 12.05.2016</p> <p>Ulmissa, 12.05.2016</p> <p>Ulm, 12.05.2016</p> <p>Ulm, 12.05.2016</p> <p>Ulm, 12.05.2016</p> <p>Ulm, dnja 12.05.2016</p> <p>Ulm, 12.05.2016</p> <p>Ulm, 12.05.2016</p> <p>Ulm, dnja 12.05.2016</p> <p>Ulm, 12.05.2016</p> <p>Ulm, 12.05.2016</p> <p>Ulm, dana 12.05.2016</p> <p>Ulm, 12.05.2016</p> <p>Улм, 12.05.2016</p> <p>Ulm, 12.05.2016</p> <p>Ulm, 12.05.2016</p> <p>Ulm, 12.05.2016</p>	<p>Der Bevollmächtigte</p> <p>Authorised representative</p> <p>Le mandataire</p> <p>De gevolmachtigde</p> <p>Auktoriserad representant</p> <p>Autoriseret repræsentant</p> <p>Valtuutettu edustaja</p> <p>Persona delegata</p> <p>La persona autorizada</p> <p>O representante</p> <p>Polnomocnik</p> <p>Meghatalmazott</p> <p>Zplnomocněný</p> <p>Splnomocnený</p> <p>O εξουσιοδοτημένος</p> <p>Pooblaščenec</p> <p>Ovlaštena osoba</p> <p>Conducerea tehnică</p> <p>Упълномощен</p> <p>Volitatus esindaja</p> <p>Jgaliotasis atstovas</p> <p>Pilnarvotā persona</p>
<p>EU-Richtlinien:</p> <p>EU directives:</p> <p>Directives européennes :</p> <p>EU-richtlijnen:</p> <p>EU direktiv:</p> <p>EU Retningslinier:</p> <p>EY-direktiivit:</p> <p>Direttive UE:</p> <p>Normativa UE:</p> <p>Diretrizes da UE:</p> <p>Dyrektyw Unii Europejskiej:</p>	<p>EU-irányelvek:</p> <p>Směrnice EU:</p> <p>EU-Predpisy:</p> <p>Οδηγίες της ΕΕ:</p> <p>ES-smernice:</p> <p>EU smjernice:</p> <p>Directive UE:</p> <p>ЕС-директиви:</p> <p>ELi direktiivid:</p> <p>ES direktivos:</p> <p>ES-direktivas:</p> <p><b>2014/35/EG</b></p> <p><b>2014/30/EG</b></p> <p><b>2011/65/EG</b></p>	<p>Ulm, 12.05.2016</p> <p>Ulm, 12.05.2016</p> <p>Ulm, 12.05.2016</p> <p>Ulm, dnja 12.05.2016</p> <p>Ulm, 12.05.2016</p> <p>Ulm, 12.05.2016</p> <p>Ulm, dnja 12.05.2016</p> <p>Ulm, 12.05.2016</p> <p>Ulm, 12.05.2016</p> <p>Ulm, dana 12.05.2016</p> <p>Ulm, 12.05.2016</p> <p>Ulm, 12.05.2016</p> <p>Ulm, 12.05.2016</p> <p>Ulm, 12.05.2016</p> <p>Ulm, 12.05.2016</p> <p>Ulm, 12.05.2016</p> <p>Ulm, 12.05.2016</p>	<p>Ulm, 12.05.2016</p> <p>Ulm, 12.05.2016</p> <p>Ulm, 12.05.2016</p> <p>Ulm, dnja 12.05.2016</p> <p>Ulm, 12.05.2016</p> <p>Ulm, dnja 12.05.2016</p> <p>Ulm, 12.05.2016</p> <p>Ulm, 12.05.2016</p> <p>Ulm, 12.05.2016</p> <p>Ulm, dnja 12.05.2016</p> <p>Ulm, 12.05.2016</p> <p>Ulm, 12.05.2016</p> <p>Ulm, 12.05.2016</p> <p>Ulm, 12.05.2016</p> <p>Ulm, 12.05.2016</p> <p>Ulm, 12.05.2016</p> <p>Ulm, 12.05.2016</p>
<p>Anbringungsjahr der CE-Kennzeichnung:</p> <p>Year of CE marking:</p> <p>Année d'apposition du marquage CE :</p> <p>Installatiejaar van de CE-aanduiding:</p> <p>Märkningsår:</p> <p>CE-Mærkningsår:</p> <p>CE-merkin kiinnitysvuosi:</p> <p>Anno di applicazione della certificazione CE:</p> <p>Colocación del distintivo CE:</p> <p>Ano de marcação pela CE:</p> <p>Rok nadania oznakowania CE:</p>	<p>CE-jelzés elhelyezésének éve:</p> <p>Rok umístění značky CE:</p> <p>Rok udelenia značky CE:</p> <p>Έτος σήματος CE:</p> <p>Leto namestitve CE-oznake:</p> <p>Godina dobivanja CE oznake:</p> <p>Anul de marcare CE:</p> <p>Година на поставяне на CE-маркировка:</p> <p>CE-märgistuse paigaldamise aasta:</p> <p>Metai, kada pažymėta CE-ženklū:</p> <p>CE-marķējuma uzlikšanas gads:</p> <p><b>2008</b></p>	<p>Ulm, 12.05.2016</p> <p>Ulm, 12.05.2016</p> <p>Ulm, 12.05.2016</p> <p>Ulm, 12.05.2016</p>	<p></p> <p><b>Reinhard Pompe</b> Vice President</p>

**Deutschland / Germany**

GARDENA Manufacturing GmbH  
Central Service  
Hans-Lorenser-Straße 40  
D-89079 Ulm  
Produktfragen:  
(+49) 731 490-123  
Reparaturen:  
(+49) 731 490-290  
service@gardena.com

**Albania**

COBALT Sh.p.k.  
Rr. Siri Kodra  
1000 Tirana

**Argentina**

Husqvarna Argentina S.A.  
Av. del Libertador 5954 –  
Piso 11 – Torre B  
(C1428AR) Buenos Aires  
Phone: (+54) 11 5194 5000  
info.gardena@ar.husqvarna.com

**Armenia**

Garden Land Ltd.  
61 Tigran Mets  
0005 Yerevan

**Australia**

Husqvarna Australia Pty. Ltd.  
Locked Bag 5  
Central Coast BC  
NSW 2252  
Phone: (+ 61) (0) 2 4352 7400  
customer.service@  
husqvarna.com.au

**Austria / Österreich**

Husqvarna Austria GmbH  
Industriezeile 36  
4010 Linz  
Tel. : (+43) 732 77 01 01-485  
service.gardena@  
husqvarnagroup.com

**Azerbaijan**

Firm Progress  
a. Aliyev Str. 26A  
1052 Baku

**Belgium**

Husqvarna België nv/sa  
Gardena Division  
Rue Eglise Van Opheim 111  
1180 Uccle / Ukkel  
Tel.: (+32) 2 720 92 12  
Mail: info@gardena.be

**Bosnia / Hercegovina**

SILK TRADE d.o.o.  
Industrijska zona Bukva bb  
74260 Tešanj

**Brazil**

Husqvarna do Brasil Ltda  
Av. Francisco Matarazzo,  
1400 – 19<sup>a</sup> andar  
São Paulo – SP  
CEP: 05001-903  
Tel: 0800-112252  
marketing.br.husqvarna@  
husqvarna.com.br

**Bulgaria**

AGROLAND България АД  
бул. 8 Декември, № 13  
Офис 5  
1700 Студентски град  
София  
Тел.: (+359) 24666910  
info@agroland.eu

**Canada / USA**

GARDENA Canada Ltd.  
100 Summerlea Road  
Brampton, Ontario L6T 4X3  
Phone: (+1) 905 792 93 30  
info@gardenacanada.com

**Chile**

Maquinarias Agroforestales  
Ltda. (Maga Ltda.)  
Santiago, Chile  
Avda. Chesterton  
# 8355 comuna Las Condes  
Phone: (+56) 2 202 4417  
Dalton@maga.cl  
Zipcode: 7560330

**China**

Husqvarna (Shanghai)  
Management Co., Ltd.  
富世华 (上海) 管理有限公司  
3F, Beng Square B,  
No207, Song Hong Rd.,  
Chang Ning District,  
Shanghai, PRC. 200335  
上海市长宁区淞虹路207号明  
基广场B座3楼, 邮编: 200335

**Colombia**

Husqvarna Colombia S.A.  
Calle 18 No. 68 D-31, zona  
Industrial de Montevideo  
Bogotá, Cundinamarca  
Tel. 571 2922700 ext. 105  
jairo.salazar@husqvarna.com.co

**Costa Rica**

Compania Exim  
Euroberoamericana S.A.  
Los Colegios, Moravia,  
200 metros al Sur del Colegio  
Saint Francis – San José  
Phone: (+506) 297 68 83  
exim\_euro@racsa.co.cr

**Croatia**

SILK ADRIA d.o.o.  
Josipa Lončara 3  
10090 Zagreb  
Phone: (+385) 1 3794 580  
silk.adria@zg.t-com.hr

**Cyprus**

Mcd Marketing  
17 Digeni Akrita Ave  
P.O. Box 27017  
1641 Nicosia

**Czech Republic**

Husqvarna Česko s.r.o.  
Türkova 2319/5b  
149 00 Praha 4 – Chodov  
Bezplatná infolinka :  
800 100 425  
servis@cz.husqvarna.com

**Denmark**

GARDENA DANMARK  
Lejrvej 19, st.  
3500 Værløse  
Tlf.: (+45) 70 26 47 70  
husqvarna@husqvarna.dk  
www.gardena.com / dk

**Dominican Republic**

BOSQUESA, S.R.L  
Carretera Santiago Lincey  
Km. 5 ½  
Esquina Copal II.  
Santiago  
Dominican Republic  
Phone: (+809) 736-0333  
joserbosquesa@claro.net.do

**Ecuador**

Husqvarna Ecuador S.A.  
Arupos E1-181 y 10 de  
Agosto Quito, Pichincha  
Tel. (+593) 22800739  
francisco.jacome@  
husqvarna.com.ec

**Estonia**

Husqvarna Eesti OÜ  
Gardena Division  
Valdeku 132  
Tallinn  
11216, Estonia  
info@gardena.ee

**Finland**

Oy Husqvarna Ab  
Gardena Division  
Lautatarhankatu 8 B / PL 3  
00581 HELSINKI  
info@gardena.fi

**France**

Husqvarna France  
9/11 Allée des pierres mayettes  
92635 Gennevilliers Cedex  
France  
http : //www.gardena.com/ fr  
N° AZUR: 0 810 00 78 23  
(Prix d'un appel local)

**Georgia**

ALD Group  
Beliashvili 8  
1159 Tbilisi

**Great Britain**

Husqvarna UK Ltd  
Preston Road  
Aycliffe Industrial Park  
Newton Aycliffe  
County Durham  
DL5 6UP  
info.gardena@husqvarna.co.uk

**Greece**

Π.ΠΑΠΑΔΟΠΟΥΛΟΣ ΑΕΒΕ  
Λεωφ. Αθηνών 92  
Αθήνα  
T.K.104 42  
Ελλάδα  
Τηλ. (+30) 210 5193 100  
info@papadopoulos.com.gr

**Hungary**

Husqvarna Magyarország Kft.  
Ezred u. 1 - 3  
1044 Budapest  
Telefon: (+36) 1 251-4161  
vevoszolgalat.husqvarna@  
husqvarna.hu

**Iceland**

Ó. Jónsson & Kaaber  
Tunguhalsi 1  
110 Reykjavik  
ooj@ojk.is

**Ireland**

Husqvarna UK Ltd  
Preston Road  
Aycliffe Industrial Park  
Newton Aycliffe  
County Durham  
DL5 6UP  
info.gardena@husqvarna.co.uk

**Italy**

Husqvarna Italia S.p.A.  
Via Santa Vecchia 15  
23868 VALMADRERA (LC)  
Phone: (+39) 0341.203.111  
assistenza.italia@it.husqvarna.com

**Japan**  
KAKUICHI Co. Ltd.  
Sumitomo Realty &  
Development Kojimachi  
BLDG., 8F  
5 -1 Nibanncoyo  
Chiyoda-ku  
Tokyo 102-0084  
Phone: (+81) 33 264 4721  
m\_ishihara@kaku-ichi.co.jp

**Kazakhstan**  
LAMED Ltd.  
155/1, Tazhibayevoy Str.  
050060 Almaty  
IP Schmidt  
Abayavenue 3B  
110 005 Kostanay

**Korea**  
Kyung Jin Trading CO.,LTD.  
107-4, SunDuk Bid.,  
YangJae-dong,  
Seocho-gu,  
Seoul, (zipcode: 137-891)  
Phone: (+82) (0)2 574-6300

**Kyrgyzstan**  
Alye Maki  
av. Moladaya Guardir J 3  
720014  
Bishkek

**Latvia**  
Husqvarna Latvija SIA  
Gardena Division  
Ulbrokas 19A  
LV-1021 Riga  
info@gardena.lv

**Lithuania**  
UAB Husqvarna Lietuva  
Gardena Division  
Ateities pl. 77C  
LT-52104 Kaunas  
info@gardena.lt

**Luxembourg**  
Magasins Jules Neuberg  
39, rue Jacques Stas  
Luxembourg-Gasperich 2549  
Case Postale No. 12  
Luxembourg 2010  
Phone: (+352) 40 14 01  
api@neuberg.lu

**Mexico**  
AFOSA  
Av. Lopez Mateos Sur # 5019  
Col. La Calma 45070  
Zapopan, Jalisco, Mexico  
Phone: (+52) 33 3818-3434  
icomero@afosa.com.mx

**Moldova**  
Convel S.R.L.  
290A Muncesti Str.  
2002 Chisinau

**Netherlands**  
Husqvarna Nederland B.V.  
GARDENA Division  
Postbus 50131  
1305 AC ALMERE  
Phone: (+31) 36 521 00 10  
info@gardena.nl

**Neth. Antilles**  
Jonka Enterprises N.V.  
Sta. Rosa Weg 196  
P.O. Box 8200  
Curaçao  
Phone: (+599) 9 767 66 55  
pgm@jonka.com

**New Zealand**  
Husqvarna New Zealand Ltd.  
PO Box 76-437  
Manukau City 2241  
Phone: (+64) (0) 9 9202410  
support.nz@husqvarna.co.nz

**Norway**  
Husqvarna Norge AS  
Gardena Division  
Trøskeneveien 36  
1708 Sarpsborg  
Tel: 69 10 47 00  
www.gardena.no

**Peru**  
Husqvarna Perú S.A.  
Jr. Ramón Cárcamo 710  
Lima 1  
Tel: (+51) 1 3320400 ext. 416  
juan.remuzgo@husqvarna.com

**Poland**  
Husqvarna  
Poland Spółka z o.o.  
ul. Wysokiego 15 b  
03-371 Warszawa  
Phone: (+48) 22 330 96 00  
gardena@husqvarna.com.pl

**Portugal**  
Husqvarna Portugal, SA  
Lagoa - Albarraque  
2635 - 595 Rio de Mouro  
Tel.: (+351) 21 922 85 30  
Fax : (+351) 21 922 85 36  
info@gardena.pt

**Romania**  
Madex International Srl  
Soseaua Odaii 117 - 123,  
RO 013603 Bucuresti, S1  
Phone: (+40) 21 352.76.03  
madex@ines.ro

**Russia / Россия**  
ООО „Хускварна“  
141400, Московская обл.,  
г. Химки,  
улица Ленинградская,  
владение 39, стр.6  
Бизнес Центр  
„Химки Бизнес Парк“,  
помещение 0B02\_04  
http://www.gardena.ru

**Serbia**  
Domel d.o.o.  
Autoput za Novi Sad bb  
11273 Belgrade  
Phone: (+381) 1 18 48 88 12  
miroslav.jejina@domel.rs

**Singapore**  
Hy-Ray PRIVATE LIMITED  
40 Jalan Pemimpin  
#02-08 Tat Ann Building  
Singapore 577185  
Phone: (+65) 6253 2277  
shiyang@hyray.com.sg

**Slovak Republic**  
Husqvarna Česko s.r.o.  
Türkova 2319/5b  
149 00 Praha 4 – Chodov  
Bezplatná infolinka:  
800 154 044  
servis@sk.husqvarna.com

**Slovenia**  
Husqvarna Austria GmbH  
Industriezeile 36  
4010 Linz  
Tel.: (+43) 732 77 01 01-485  
service.gardena@  
husqvarnagroup.com

**South Africa**  
Husqvarna  
South Africa (Pty) Ltd  
Postnet Suite 250  
Private Bag X6,  
Cascades, 3202  
South Africa  
Phone: (+27) 33 846 9700  
info@gardena.co.za

**Spain**  
Husqvarna España S.A.  
Calle de Rivas nº 10  
28052 Madrid  
Phone: (+34) 91 708 05 00  
atencioncliente@gardena.es

**Suriname**  
Agrofix n.v.  
Verlengde Hogestraat #22  
Phone: (+597) 472426  
agrofix@sr.net  
Pobox : 2006  
Paramaribo  
Suriname – South America

**Sweden**  
Husqvarna AB  
Gardena Division  
S-561 82 Huskvarna  
info@gardena.se

**Switzerland / Schweiz**  
Husqvarna Schweiz AG  
Consumer Products  
Industriestrasse 10  
5506 Mägenwil  
Phone: (+ 41) (0) 62 887 37 90  
info@gardena.ch

**Turkey**  
Dost Bahçe Diş Ticaret  
Mümesillik A.Ş  
Yunus Mah. Adil Sok. No: 3  
Ic Kapi No: 1 Kartal  
34873 Istanbul  
Phone: (+90) 216 38 93 939  
info@dostbahce.com.tr

**Ukraine / Україна**  
ТОВ «Хусварна Україна»  
вул. Васильківська, 34,  
офіс 204-г  
03022, Київ  
Tel. (+38) 044 498 39 02  
info@gardena.ua

**Uruguay**  
FELI SA  
Entre Rios 1083 CP 11800  
Montevideo – Uruguay  
Tel: (+598) 22 03 18 44  
info@felisa.com.uy

**Venezuela**  
Corporación Casa y Jardín C.A.  
Av. Caroní, Edif. Trezmen, PB.  
Colinas de Bello Monte.  
1050 Caracas.  
Tlf : (+58) 212 992 33 22  
info@casayjardin.net.ve

8838-20.960.07/0817  
© GARDENA Manufacturing GmbH  
D-89070 Ulm  
http://www.gardena.com