

**HUSQVARNA - SPARE PARTS CATALOG**  
**POWER CUTTERS: HUSQVARNA K 535I**

**KEES VAN DER SPEK**  
TUINMACHINES ★ STOLWIJK

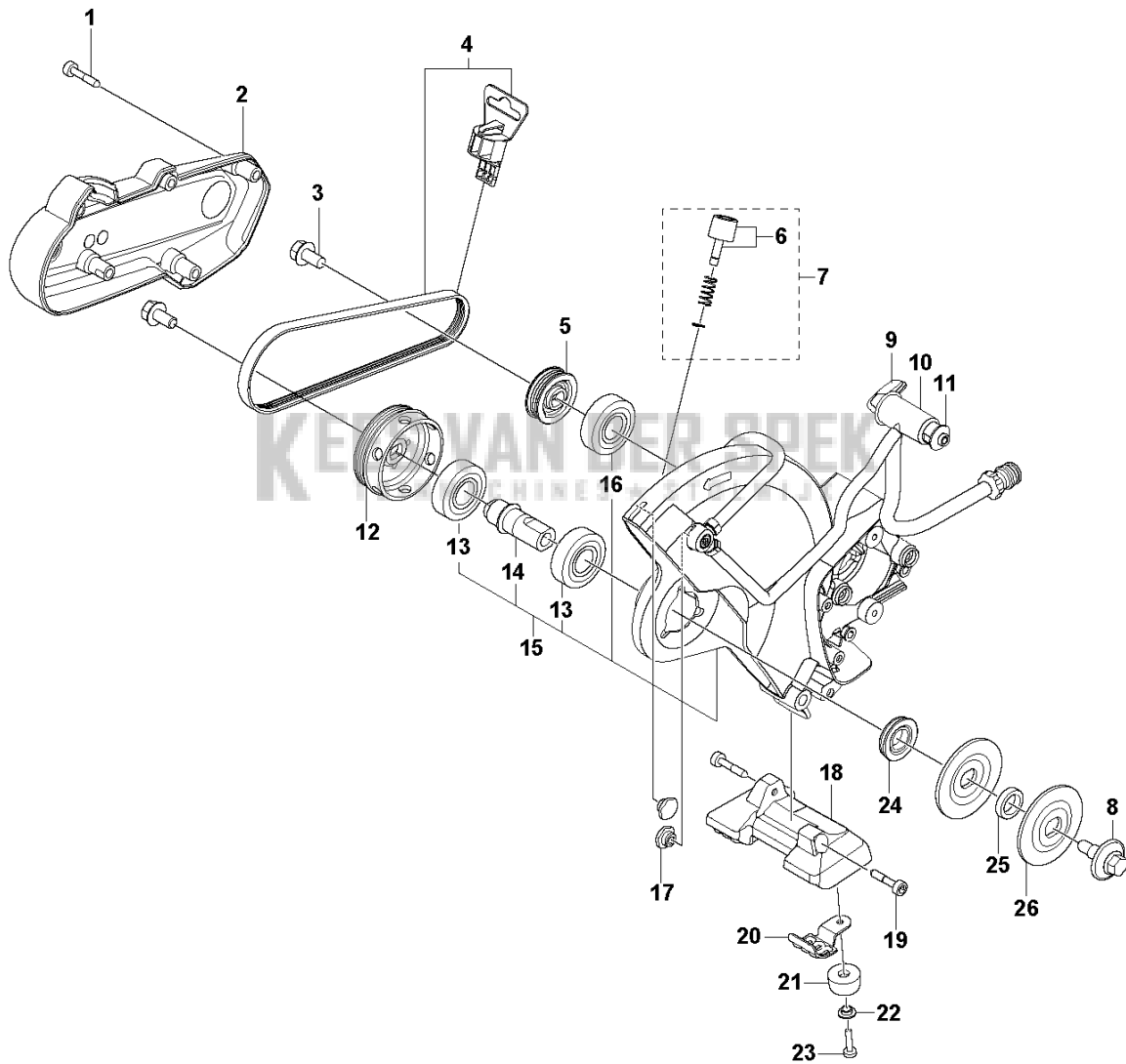
Sparepartslist

# SPAREPARTSLIST

**POWER CUTTERS**  
TUINMACHINES ★ STOLWIJK

HUSQVARNA K 535I

**B** K 535i  
BLADE GUARD

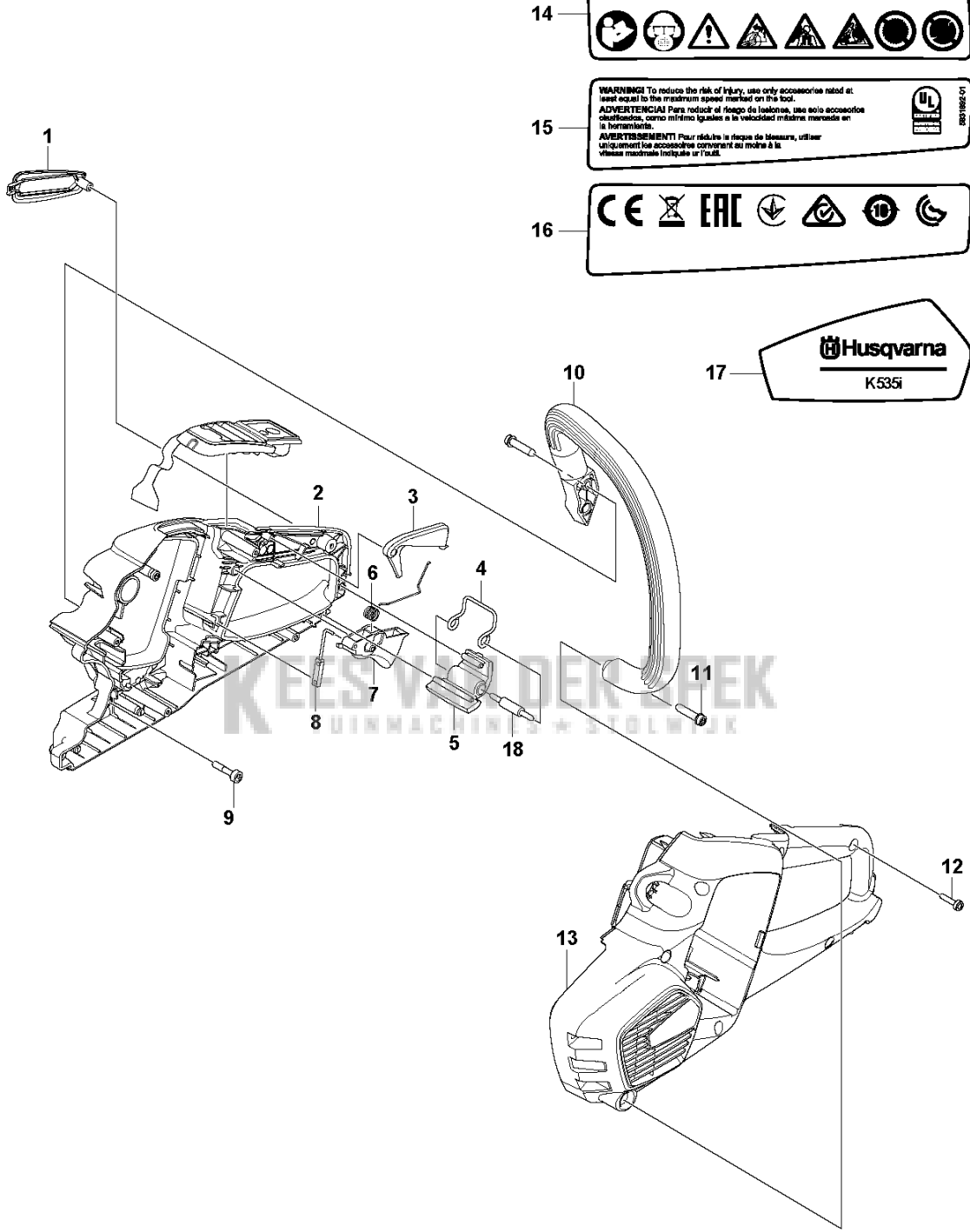


POWER CUTTERS

PXM_REF	PXM_PARTNO	DESCRIPTION	PXM_REMARK	QTY
1	503215326	SCHROEF ITXSCM		5
2	590888401	RIEMBESCHERMING		1
3	503200045	SCHROEF EHHFM		2
4	590885401	RIEM		1
5	593161001	POELIE		1
6	596591401	BORGKNOP		1
7	596591501	BORGKNOP		1
8	590503801	SCREW		1
9	597415901	VENTIEL COMPL.		1
10	591146301	VENTIEL COMPL.	Including hoses	1
11	586443101	SCREW ITXSCFT		1
12	593161101	POELIE		1
13	583953301	KOGELLAGER		2
14	590884601	AS		1
15	596591701	SLUPARM		1
16	738220119	KOGELLAGER		1
17	576798401	NIPPEL		2
18	590888501	GRONDSTEUN		1
19	503215325	SCHROEF ITXSCM		2
20	590888601	SLUITBESCHERMING		2
21	590488001	DEMPER		2
22	590488101	BUSHING		2
23	580292901	SCREW ITXSCT		2
24	590884701	FLENSSTEUN		1
25	591107701	BUSHING		1
26	590890301	FLENS		2

**KEES VAN DER SPEK**  
 TUINMACHINES ★ STOLWIJK

**A** K 535i  
CHASSIS



14

HUSQVARNA AB, 691 82 HUSKIVARNA, SWEDEN  
[www.husqvarna.com](http://www.husqvarna.com)

15

**WARNING!** To reduce the risk of injury, use only accessories rated at least equal to the maximum speed marked on the tool.  
**ADVERTENCIA!** Para reducir el riesgo de lesiones, use solo accesorios clasificados como mínimo iguales a la velocidad máxima marcada en la herramienta.  
**AVVERTISSEMENT!** Pour réduire le risque de blessure, utiliser uniquement les accessoires convenant au moins à la vitesse maximale indiquée sur l'outil.

16



KEESWEDER DEK  
 QUINMACHINES + STOLWIJK

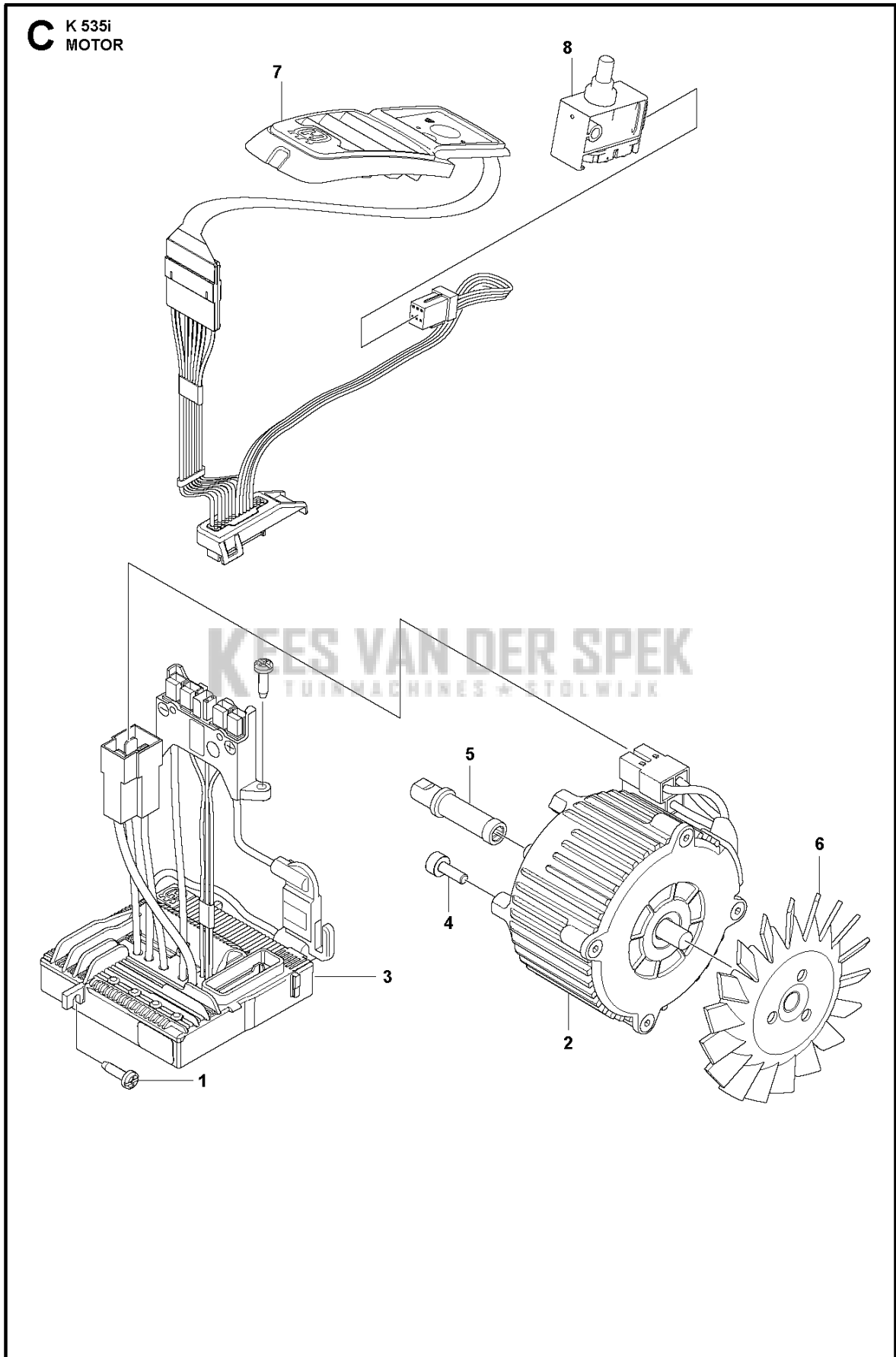
## POWER CUTTERS

---

PXM_REF	PXM_PARTNO	DESCRIPTION	PXM_REMARK	QTY
1	577261901	HANDGREEPINZETSTUK		1
2	590888201	HANDGREEPHELFT		1
3	506495701	GASVERGREDELING		1
4	590910901	LUS		1
5	590888701	GRONDSTEUN		1
6	544099901	VEER		1
7	577312701	GASHEVEL		1
8	577855101	THROTTLE ROD ASSY		1
9	503215326	SCHROEF ITXSCM		3
10	577063501	VOORSTE BEUGEL		1
11	525798103	SCREW ITXSCFT		2
12	580292901	SCREW ITXSCT		6
13	590888301	HANDGREEPHELFT		1
14	593199301	STICKER		1
15	593199201	STICKER		1
16	593199202	STICKER		1
17	593732701	STICKER		1
18	596327101	PEN		1

**KEES VAN DER SPEK**  
TUINMACHINES ★ STOLWIJK

**C** K 535i  
MOTOR



## POWER CUTTERS

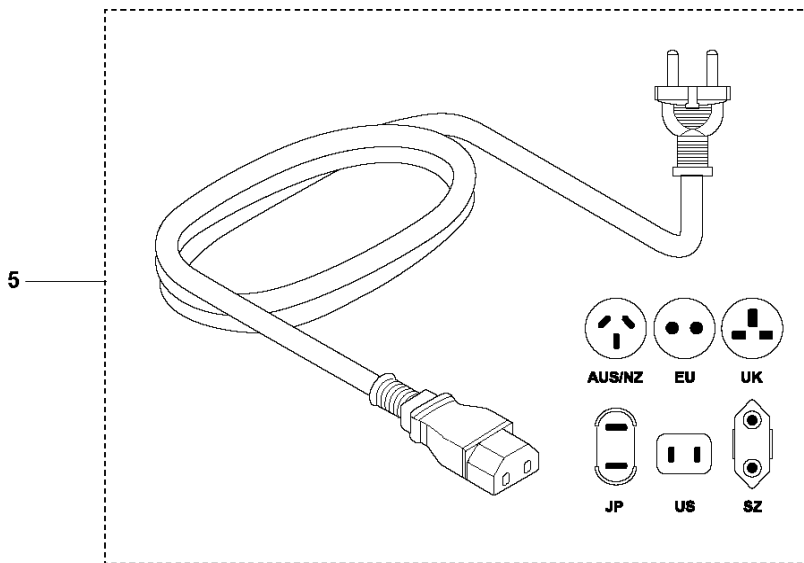
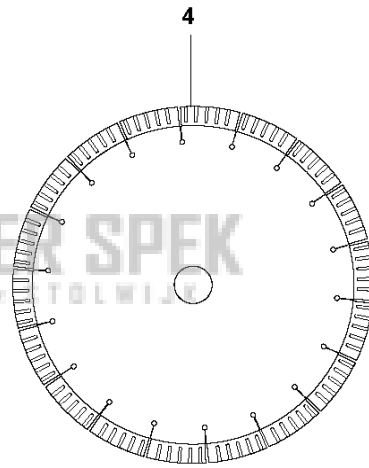
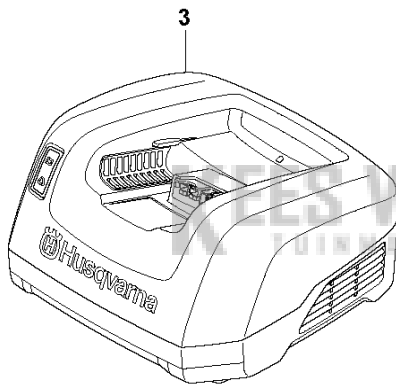
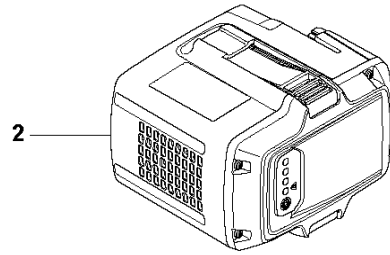
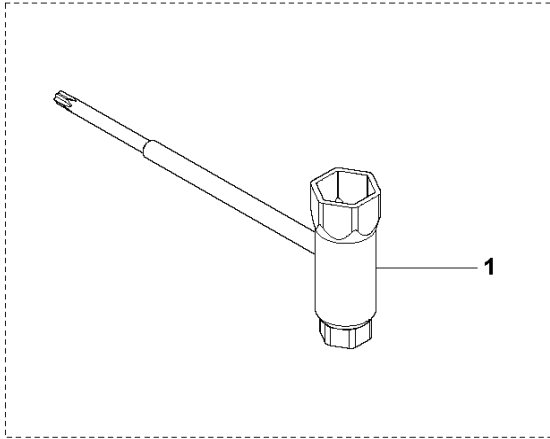
---

PXM_REF	PXM_PARTNO	DESCRIPTION	PXM_REMARK	QTY
1	578776103	SCHROEF ITXPANT		4
2	577315802	MOTOR COMPL		1
3	591115802	BESTURINGSEENHEID		1
4	526818101	SCHROEF ITXSCM		4
5	593086701	AS		1
6	581300901	VENTILATOR		1
7	592634201	BEKABELING COMPL		1
8	582050701	TREKSCHAKELAAR		1

**KEES VAN DER SPEK**  
TUINMACHINES ★ STOLWIJK



**X** K 535i  
ACCESSORIES



POWER CUTTERS

PXM_REF	PXM_PARTNO	DESCRIPTION	PXM_REMARK	QTY
1	506382601	GEREEDSCHAP		1
2	967964101	ACCU	Bli 200	1
2	967964102	ACCU	Bli 200 US/CA	1
2	967964301	ACCU	Bli 300	1
2	967964302	ACCU	Bli 300 I US/CA	1
3	967964901	ACCULADER	QC330 I EU	1
3	967964902	ACCULADER	QC330 I UK	1
3	967964903	ACCULADER	QC330 I US	1
3	967964904	ACCULADER	QC330 I JP	1
3	967964905	ACCULADER	QC330 I AU/NZ	1
3	967964906	ACCULADER	QC330 I SZ	1
3	967964907	ACCULADER	QC330 I BR	1
3	967965001	ACCULADER	QC500 I EU	1
3	967965002	ACCULADER	QC500 I UK	1
3	967965003	ACCULADER	QC500 I US	1
3	967965004	ACCULADER	QC500 I JP	1
3	967965005	ACCULADER	QC500 I AU/NZ	1
3	967965006	ACCULADER	QC500 I SZ	1
4	596826601	DIAMANT SCHIJF	ELITE-CUT	1
4	596520301	DIAMANT SCHIJF	TACTI-CUT	1
4	574853801	DIAMANT SCHIJF	VARI-CUT	1
4	596826701	GEBONDENSCHIJF	ABRASIVE DISC METAL	1
5	578081901	HOOFDKABEL	QC330/QC500-CORD 330W/500W, 220V-EU	1
5	579130601	HOOFDKABEL	QC330/QC500-CORD 330W/500W, 220V-UK	1
5	579130401	HOOFDKABEL	QC330/QC500-CORD 330W/500W-US	1
5	581294901	HOOFDKABEL	QC330/QC500-CORD 330W/500W-JP	1
5	581295001	HOOFDKABEL	QC330/QC500-CORD 330W/500W-AU/NZ	1
5	582639701	BEKABELING COMPL.	QC330/QC500-CORD 330W/500W-SZ	1

**KEES VAN DER SPEK**  
TUINMACHINES ★ STOLWIJK