

STARK 3810 T Brushcutter



Documenten

Engine

Ignition system

Tank and air filter

Transmission

Carburettor WT-1099

Accessories

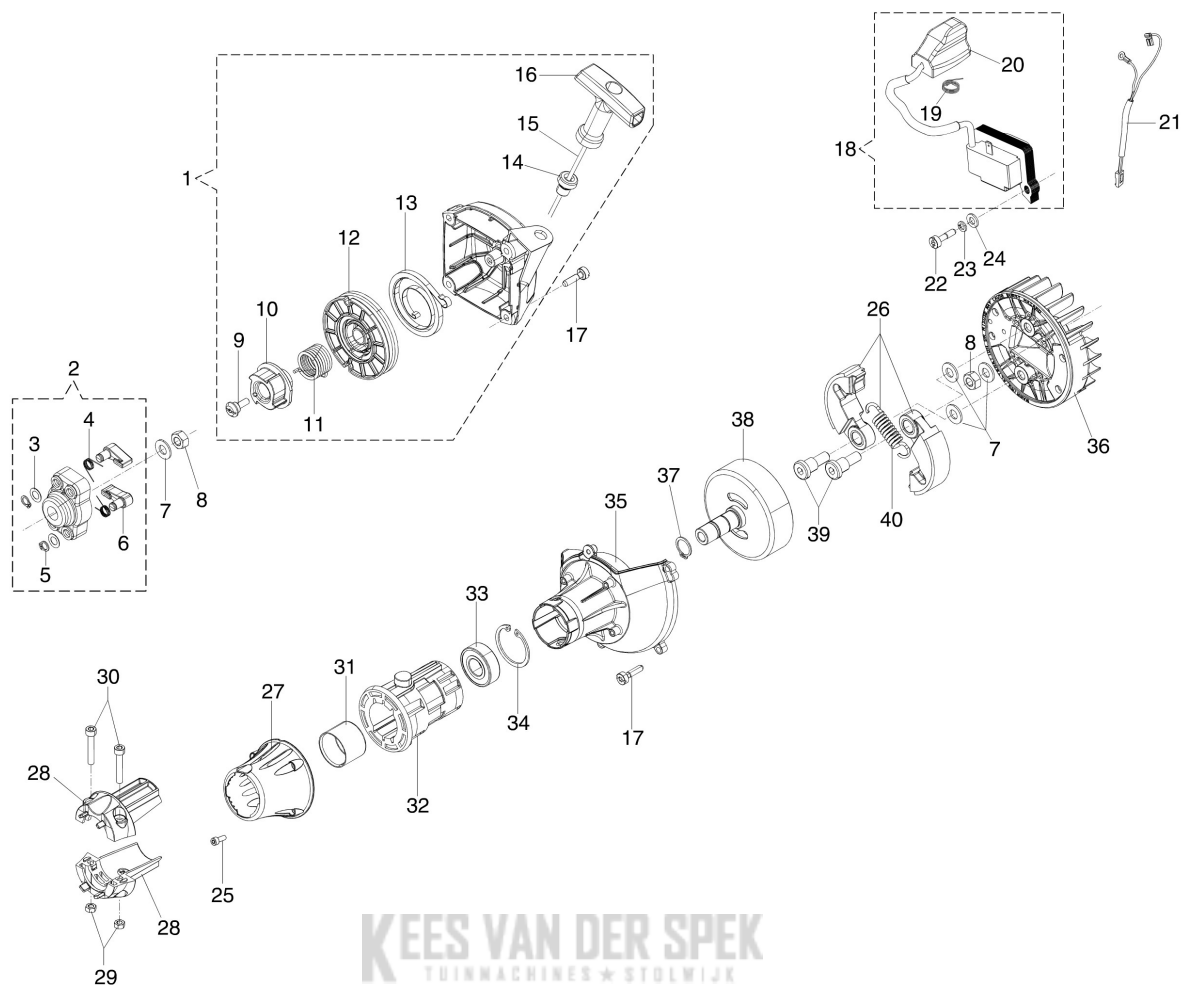
Illustrated part list (Head "Load & Go" D.130)

KEES VAN DER SPEK
TUINMACHINES ★ STOLWIJK

Illustratie Engine

Ref.Nu	Qty	Part number	Description	Validity from	Validity till	Notes	Bulletin
1	1	61330168R	Muffler cover				
2	3	3960121R	Screw				
3	2	005100906AR	Screw				
4	1	61330192AR	Complete muffler				
5	3	3916005R	Washer				
6	1	3819006R	Washer				
7	3	3801010R	Screw				
8	1	61330125R	Deflector				
9	1	61330127R	Cylinder cover				
10	1	61200064R	Stopper				
11	4	3023008R	Plug				
12	1	61330054BR	Guard				
13	1	61202038BR	Gasket set				
14	1	3960069AR	Screw				
15	1	61330067	Crankcase assy				
16	1	3055115	Spark plug bpmr7a				
17	4	094000101R	Screw				
18	1	61350272R	Gasket				
19	2	4196166R	Piston ring				
20	2	004900061R	Ring				
21	1	50110047R	Piston pin				
22	1	50110066A	Piston assy				
23	1	61212005B	Complete cylinder Ø38				
24	4	3860096R	Screw				
25	2	094000099R	Seal ring				
26	2	094000006R	Bearing				
27	2	50110043AR	Spacer				
28	1	50110044R	Bearing				
29	1	61200001R	Crankshaft				

KEES VAN DER SPEK
TUINMACHINES ★ STOLWIJK

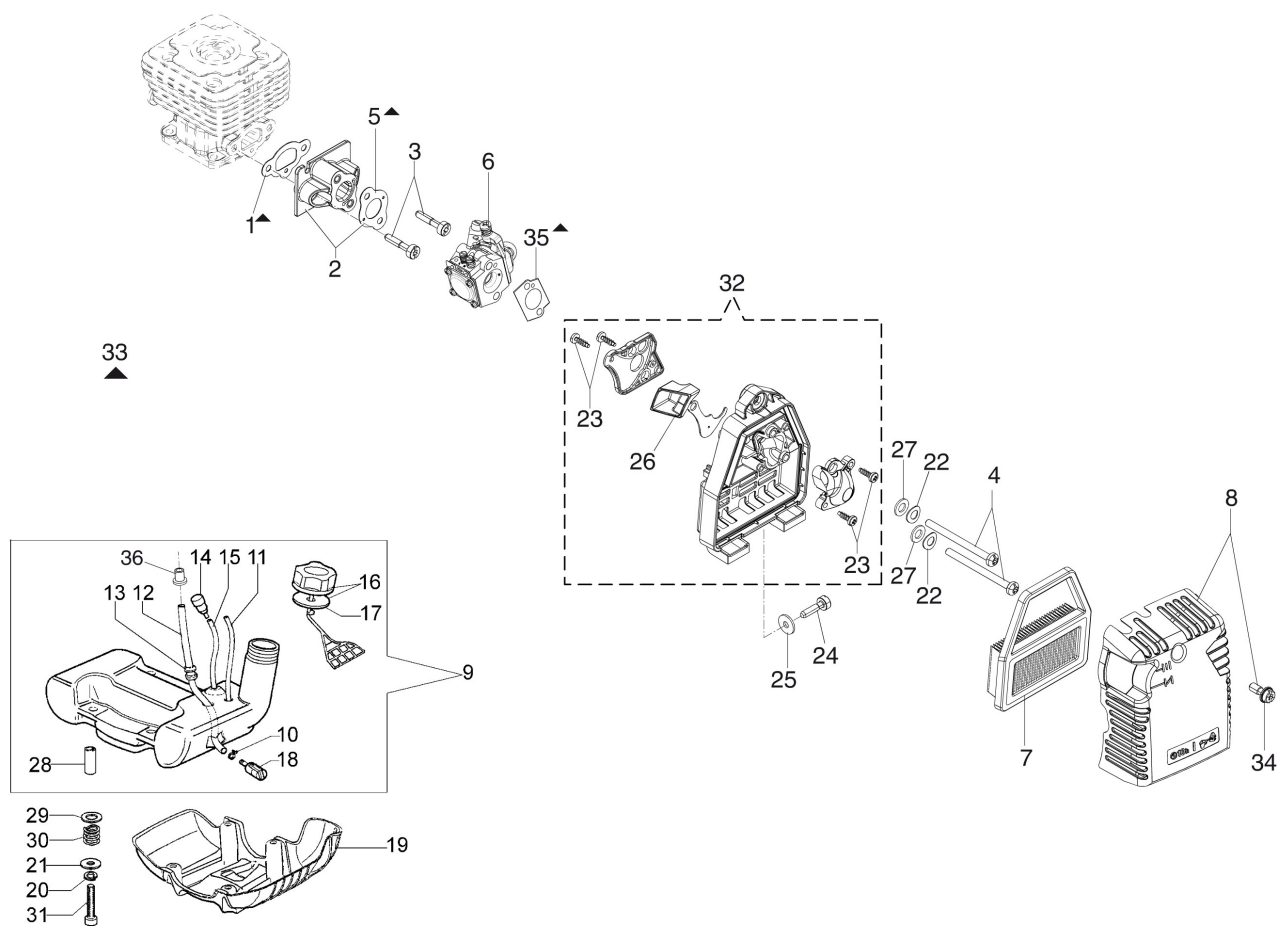


KEES VAN DER SPEK
TUINMACHINES * STOLWIJK

Illustratie Ignition system

Ref.Nu	Qty	Part number	Description	Validity from	Validity till	Notes	Bulletin
1	1	61332015R	Starter assy				
2	1	61330197	Clutch driver				
3	2	3064010R	Washer				
4	2	4191017A	Spring				
5	2	3024007R	Ring				
6	2	61350145R	Pawl				
7	1	3818011AR	Washer				
8	1	3912009	Nut				
9	1	50160024	Screw				
10	1	61350204AR	Sprocket				
11	1	61350203BR	Spring				
12	1	61350139R	Starter pulley				
13	1	004000132R	Spring				
14	1	072700089R	Bushing				
15	1	4098073R	Starter rope				
16	1	61200015R	Starter handle				
17	9	3801010R	Screw				
18	1	61250015BR	Ignition coil				
19	1	50050127	Spring				
20	1	61200012AR	Spark plug cap				
21	1	61250282AR	Cable				
22	1	3901082R	Screw				
23	1	3819006R	Washer				
24	1	3916006R	Washer				
25	4	3893060R	Screw				
26	1	4191153AR	Clutch				
27	1	61200296R	Cover				
28	2	61200192AR	Adaptor				
29	2	3914003R	Nut				
30	2	3801015R	Screw				
31	1	4196038	Bushing				
32	1	4196037R	Sleeve				
33	1	3035042R	Bearing				
34	1	3025022R	Ring				
35	1	61200298R	Starter case				
36	1	61250014AR	Flywheel				
37	1	3024015R	Ring				
38	1	4191030R	Clutch drum				
39	2	4191027FR	Pin				
40	1	4191028R	Spring				

KEES VAN DER SPEK
TUINMACHINES ★ STOLWIJK



KEES VAN DER SPEK
TUINMACHINES * STOLWIJK

Illustratie Tank and air filter

Ref.Nu	Qty	Part number	Description	Validity from	Validity till	Notes	Bulletin
1	1	61200019AR	Gasket				
2	1	61200198	Insulator				
3	2	3801015R	Screw				
4	2	3891067R	Screw				
5	1	61200196AR	Gasket				
6	1	2318987R	Carburetor WT-1099				
7	1	61380013R	Air filter				
8	1	61330131	Filter cover kit				
9	1	61330135R	Complete tank				
10	1	4098377R	Band				
11	1	61250228R	Tube				
12	1	61200093R	Tube				
13	1	4161211R	Bush				
14	1	61070011AR	Breather valve				
15	1	61250228R	Tube				
16	1	61372003R	Tank cap				
17	1	61070006R	Gasket				
18	1	50010218R	Fuel filter				
19	1	61200238AR	Guard				
20	4	3819006R	Washer				
21	4	3918005R	Washer				
22	2	3833073R	Washer				
23	4	3960087AR	Screw				
24	1	3891048R	Screw				
25	1	3918005R	Washer				
26	1	61380074AR	Starter lever				
27	2	3916005R	Washer				
28	4	61200128R	Spacer				
29	4	3916008R	Washer				
30	4	61200129R	Spring				
31	4	3801016R	Screw				
32	1	61382040AR	Air filter support set				
33	1	61202038BR	Gasket set				
34	1	61330040AR	Screw				
35	1	61350155R	Flange				
36	1	61280105	Band				

KES VAN DER SPEK
TUINMACHINES ★ STOLWIJK

Illustratie Transmission

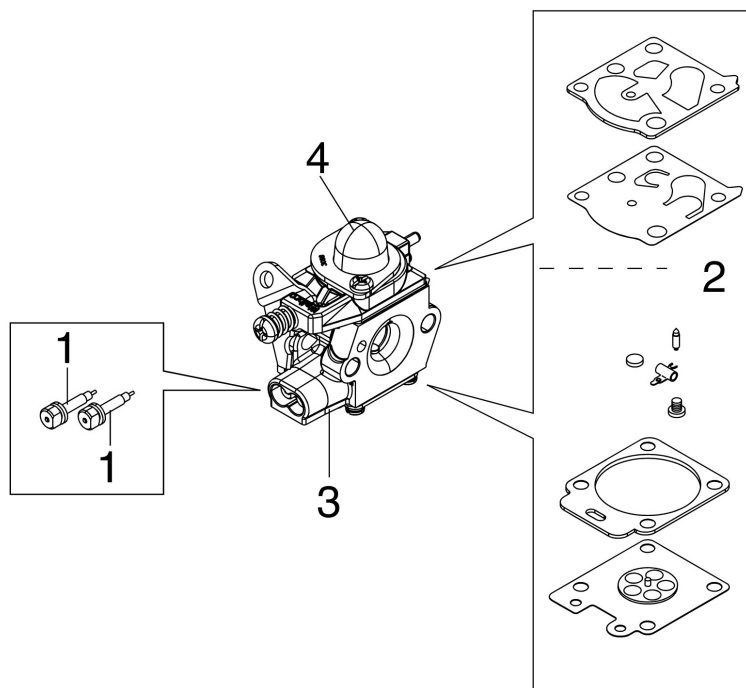
Ref.Nu	Qty	Part number	Description	Validity from	Validity till	Notes	Bulletin
1	1	61250287A	Bevel gear Ø28				
2	1	3025019	Ring				
3	1	3024012R	Snap ring				
4	1	3034019R	Bearing				
5	1	072700264CR	Clamp				
6	8	3819006R	Washer				
7	1	3901016	Screw				
8	1	61040071R	Cap				
9	1	61040144R	Gear case				
10	1	3024018R	Ring				
11	1	61250054R	Pin				
12	1	3024012R	Snap ring				
13	1	3025022R	Ring				
14	1	61040066R	Spacer				
15	1	3050018R	Seal ring				
16	1	61040145R	Hub				
17	1	4179089R	Flange				
18	1	61110074R	Guard				
19	1	61110075R	Nut				
20	1	3035023R	Bearing				
21	1	61040133A	Bevel gear set				
22	1	3901008R	Screw				
23	1	61202109R	Shaft				
24	1	61252049R	Tube Ø28				
25	1	074000035R	AV-mount				
26	1	074000183AR	Clamp				
27	1	61170132R	Grommet				
28	1	61332030R	Complete handle				
29	2	3801015R	Screw				
30	1	3914003R	Nut				
31	1	4179194R	Band Ø28				
32	1	61370114R	Lever				
33	1	61380066R	Throttle cable				
34	1	61370294	Lever group				
35	1	61380064R	Throttle lever				
36	1	61330130R	Cable				
37	4	3801011R	Screw				
38	1	4179094AR	Knob				
39	1	4138311A	Ring				
40	1	3025009	Ring				
41	1	61040140R	Knob				
42	1	61330199	Handle kit				
43	1	56550185R	Button				
44	1	4100098BR	Spring				
45	1	61380097	Pair of handles				
46	1	3891054R	Screw				

KES VAN DER SPEK
TUINMACHINES ★ STOLWIJK

Illustratie Transmission

Ref.Nu	Qty	Part number	Description	Validity from	Validity till	Notes	Bulletin
47	5	3893016AR	Screw				

KEES VAN DER SPEK
TUINMACHINES ★ STOLWIJK

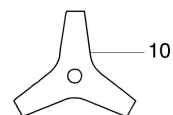
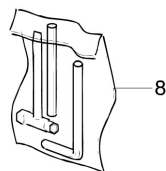
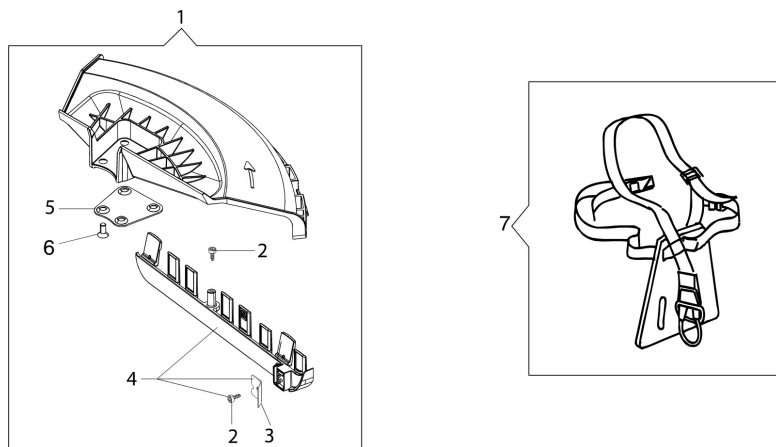


KEES VAN DER SPEK
TUINMACHINES * STOLWIJK

Illustratie Carburettor WT-1099

Ref.Nu	Qty	Part number	Description	Validity from	Validity till	Notes	Bulletin
1	2	2318667R	Adjust. screw				
2	1	2318671	Repair kit				
3	1	2318987R	Carburetor WT-1099				
4	1	2318572	Primer pump				

KEES VAN DER SPEK
TUINMACHINES ★ STOLWIJK

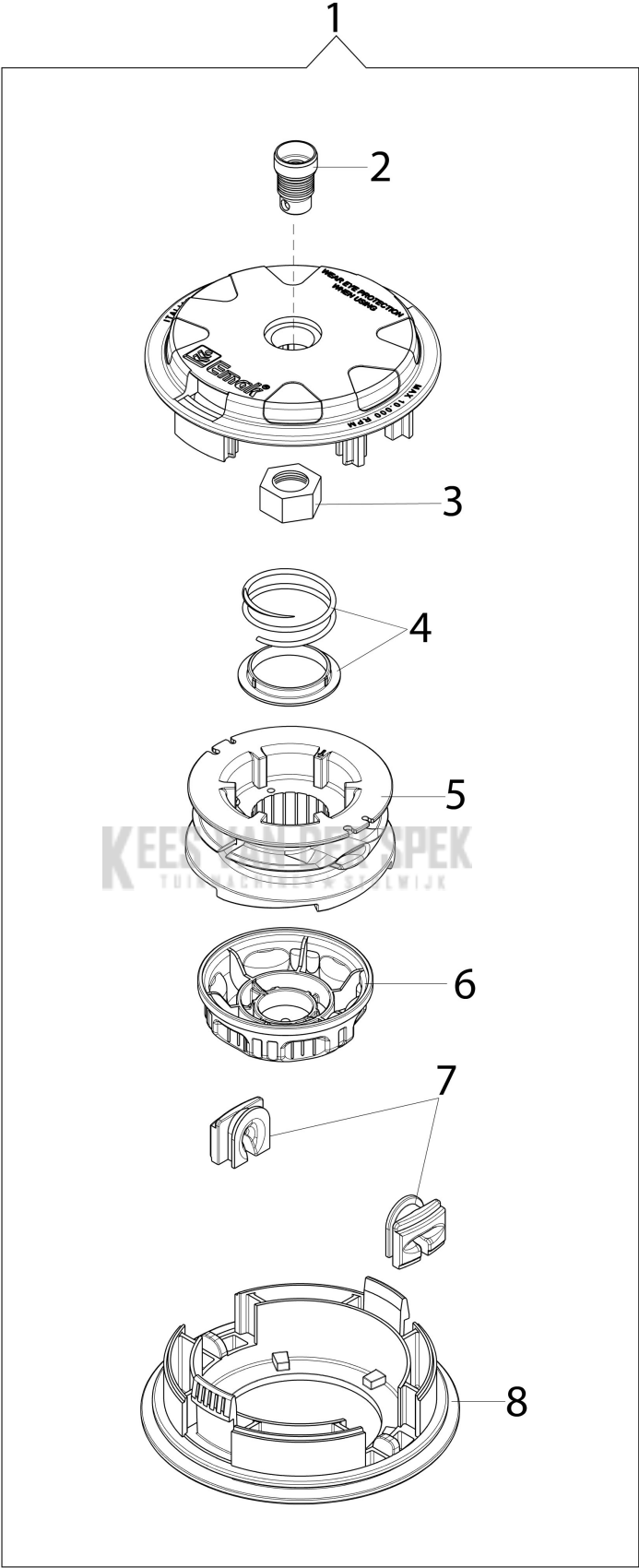


KEES VAN DER SPEK
TUINMACHINES ★ STOLWIJK

Illustratie Accessories

Ref.Nu	Qty	Part number	Description	Validity from	Validity till	Notes	Bulletin
1	1	61330201	Guard kit				
2	2	3960032R	Screw				
3	1	4174275R	Blade				
4	1	4179113AR	Skirt w/blade				
5	4	3802004CR	Screw				
6	1	4174278R	Plate				
7	1	61200106R	Harness				
8	1	61012010	Tool kit				
9	1	61330202	Labels kit				
10	1	4095673BR	3-tooth blade				

KEES VAN DER SPEK
TUINMACHINES ★ STOLWIJK



Illustratie Illustrated part list (Head "Load & Go" D.130)

Ref.Nu	Qty	Part number	Description	Validity from	Validity till	Notes	Bulletin
1	1	63129007	Load & Go nylon head			Filo D.2,4 mm; Nylon line D.2,4 mm	
2	1	63120041R	Insert				
3	1	63120040R	Nut				
4	1	63120031R	Kit spring				
5	1	63120020AR	Nylon spool				
6	1	63120007AR	Knob				
7	2	63120001R	Bushing				
8	1	63120005R	Cover				

KEES VAN DER SPEK
TUINMACHINES ★ STOLWIJK