

## **HUSQVARNA - SPARE PARTS CATALOG**

### **ACCESSORIES AND TOOLS: WT 15**

**KEES VAN DER SPEK**  
TUINMACHINES ★ STOLWIJK

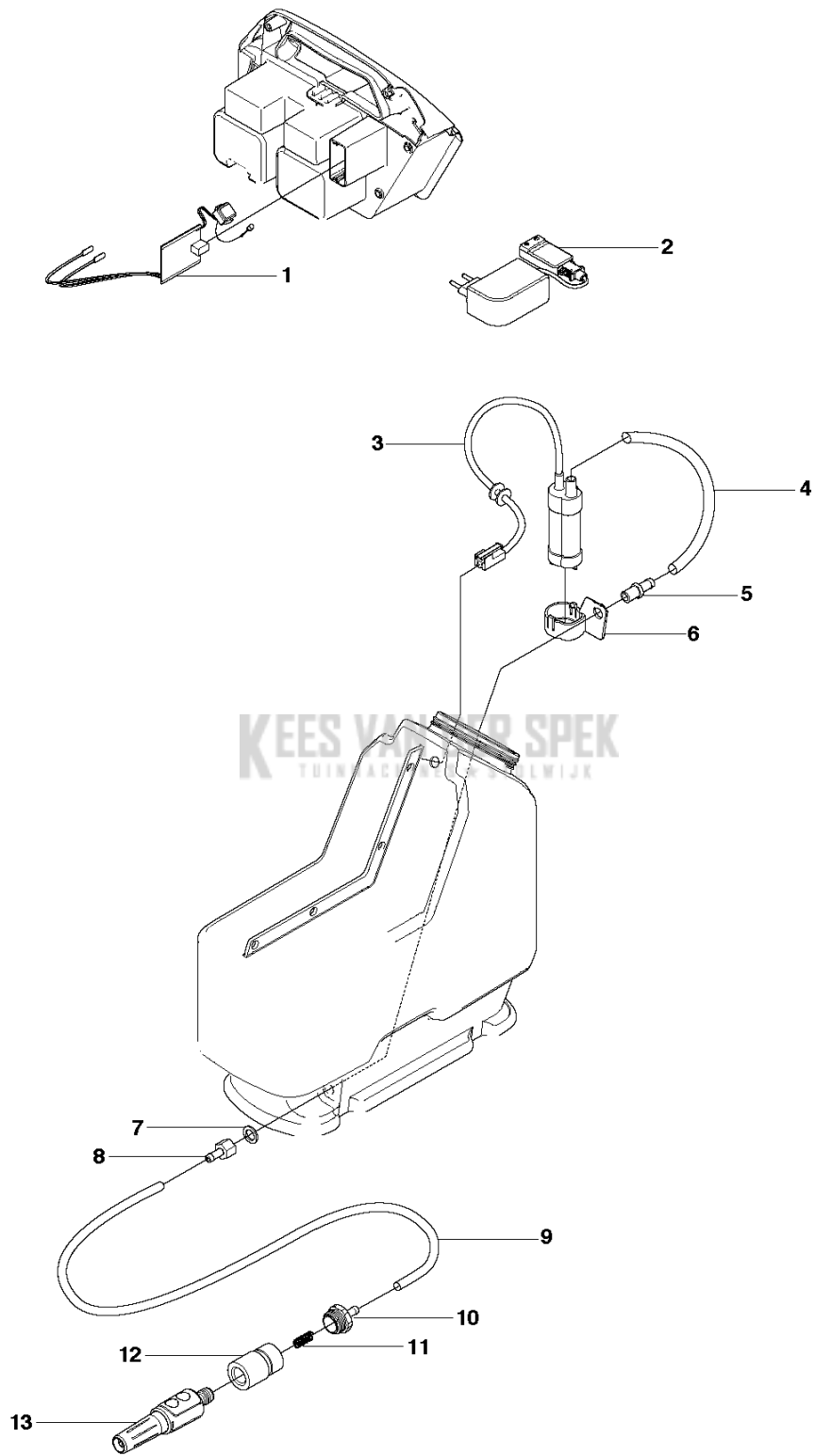
Sparepartslist

# **SPAREPARTSLIST**

**ACCESSORIES AND TOOLS**

**WT 15**

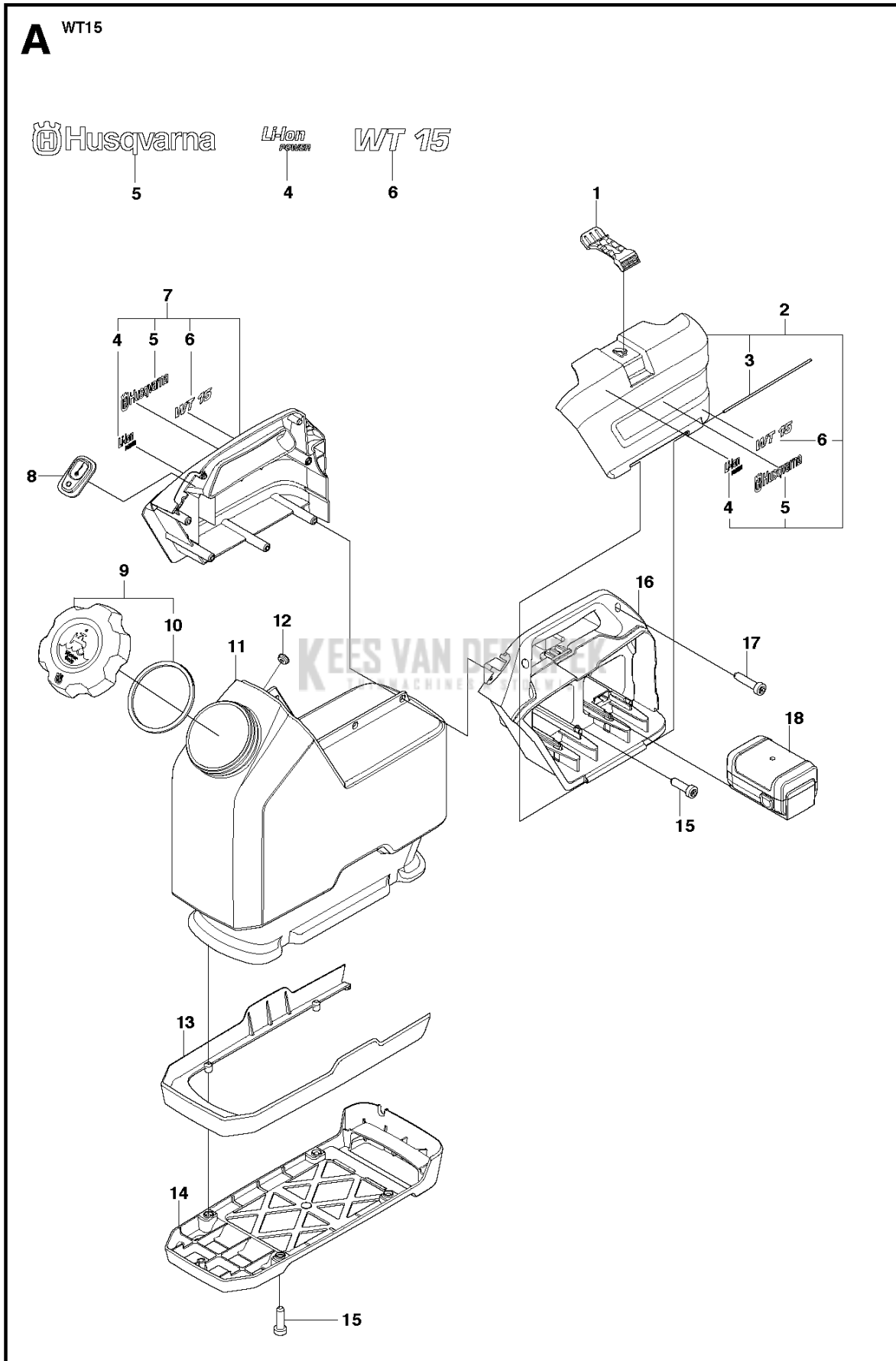
**B** WT15



## ACCESSORIES AND TOOLS

---

PXM_REF	PXM_PARTNO	DESCRIPTION	PXM_REMARK	QTY
1	577064301	PRINTPLAAT COMPL.		1
2	505142801	OPLADER	EU	1
2	505142802	OPLADER	USA	1
2	505142803	OPLADER	AUS	1
2	505142804	OPLADER	UK	1
2	505142805	OPLADER	JAPAN	1
3	577065201	POMP		1
4	577064101	SLANG	0,35m	1
5	510243001	NIPPEL		1
6	505143701	BEVESTIGING		1
7	510242901	O-RING		1
8	510243201	NIPPEL		1
9	525406202	SLANG	3,2m	1
10	505143801	SLANGAANSLUITING		1
11	516043101	VEER		1
12	503266003	KOPPELSTUK		1
13	522673101	SPROEIER		1



## ACCESSORIES AND TOOLS

---

PXM_REF	PXM_PARTNO	DESCRIPTION	PXM_REMARK	QTY
1	505143001	GESP		1
2	522941601	DEKSEL	Incl. 3 - 6	1
3	522446901	AS		1
4	522980001	PLAATJE		1
5	544933101	PLAATJE		1
6	577064501	STICKER		1
7	522941701	HENDEL	Incl. 4 - 6	1
8	505142701	DEKSEL		1
9	522941801	NAAFDOOP	Incl. 10	1
10	510242701	O-RING		1
11	576637201	WATERTANK		1
12	522535801	DOORVOER		1
13	505143201	BASE		1
14	505143301	BASE		1
15	503215420	SCREW ITXSCT		10
16	505142301	HENDEL		1
17	504909425	SCREW ITXSCT		2
18	505143101	ACCU		1