

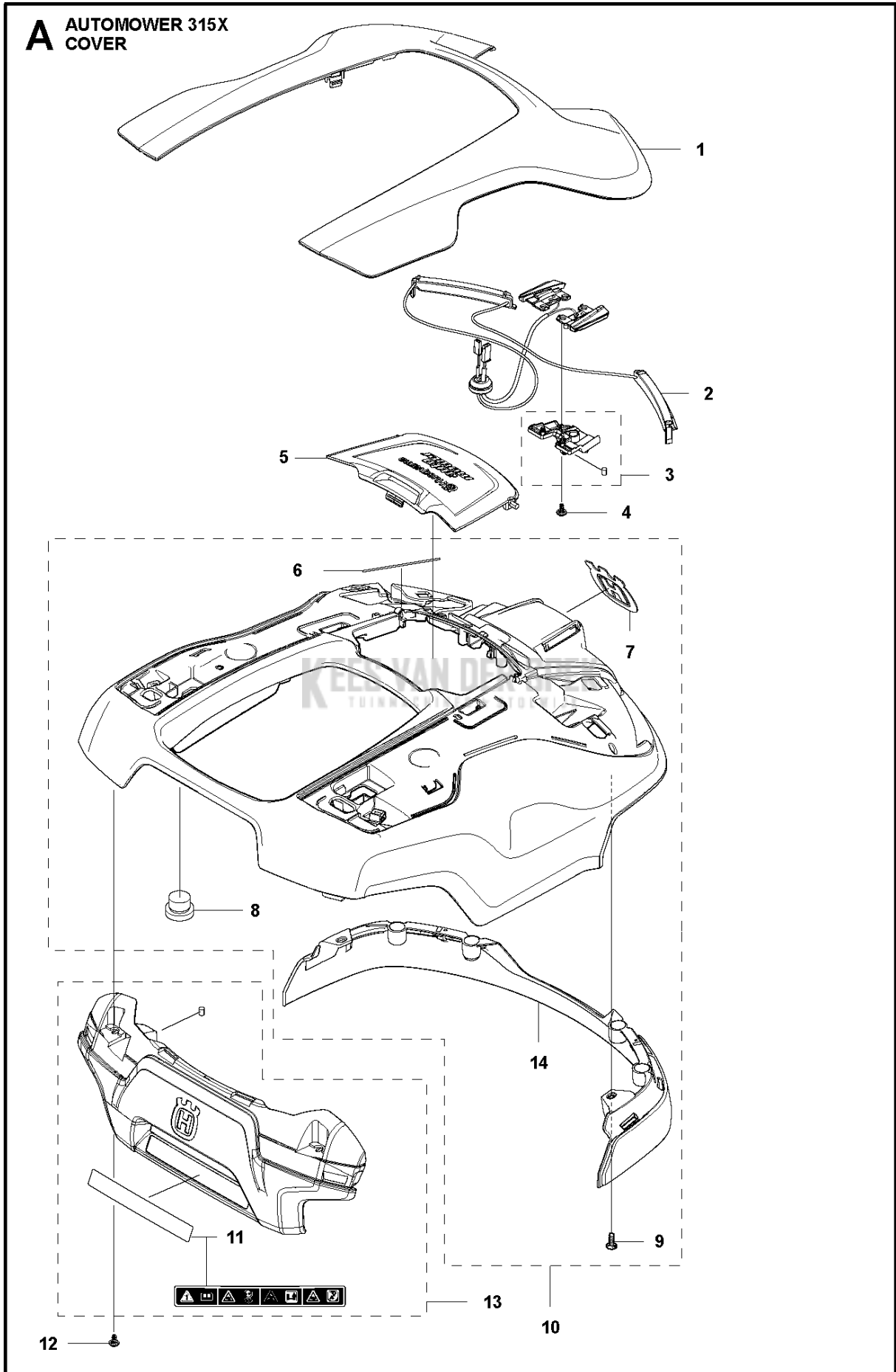


# SPARE PARTS LIST

ROBOTIC LAWN MOWERS

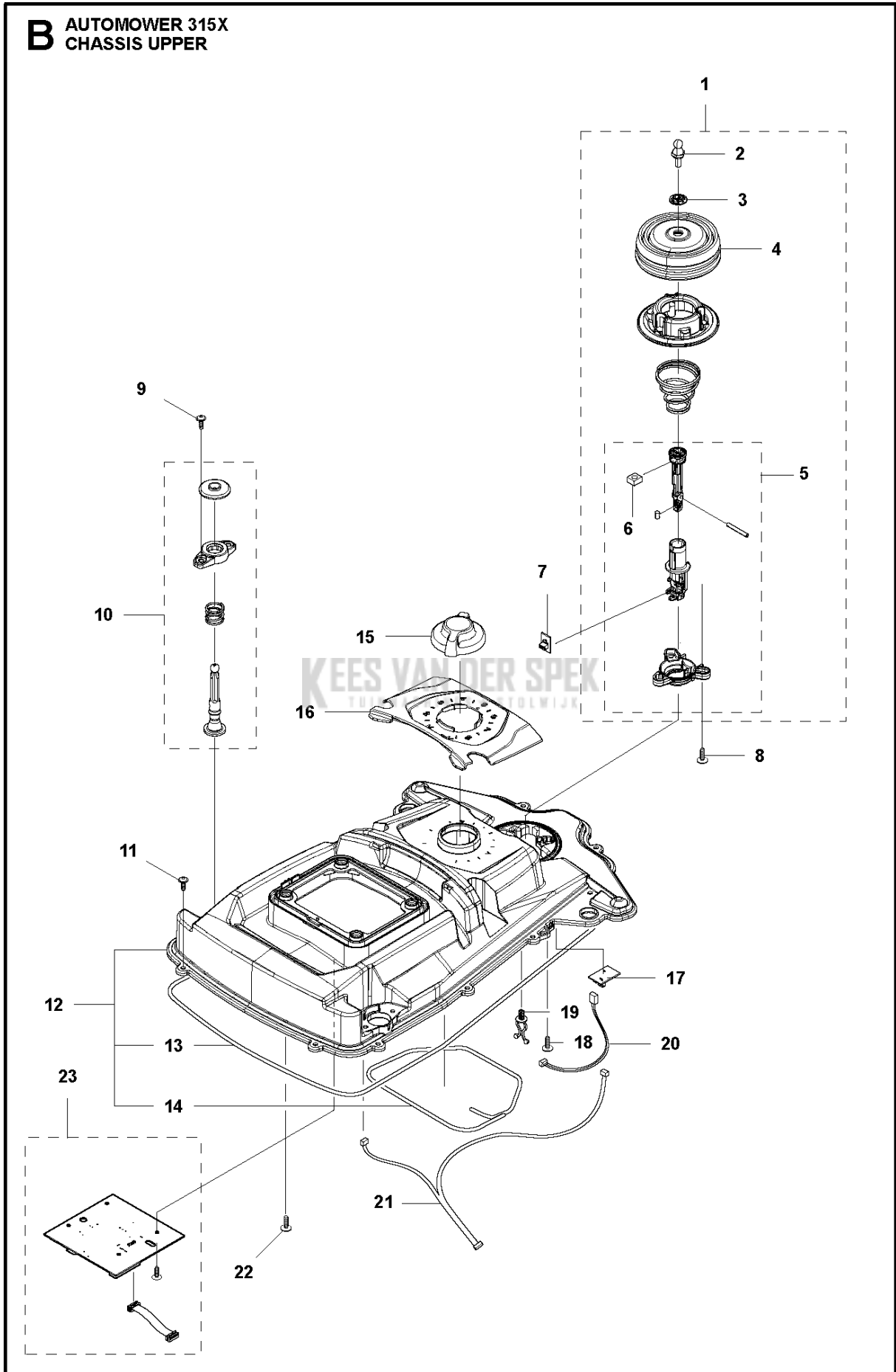
AUTOMOWER 315X, 2020-

**A** AUTOMOWER 315X  
COVER



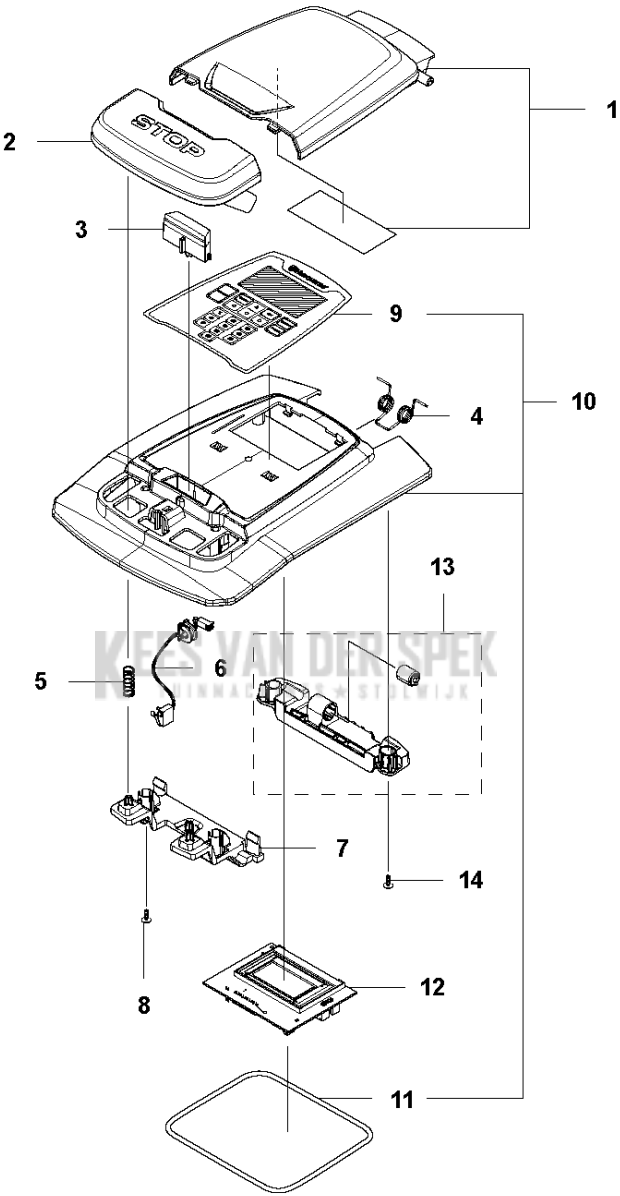
Referentie	Onderdeel nr	Omschrijving	Opmerking	Aant KIT al
1	590 87 69-01	BODY KIT	Top Cover KIT Robotic Grey	1
1	590 87 69-02	BODY KIT	Top Cover KIT White	1
2	589 29 91-01	BEKABELING COMPL.	Wiring Assy	1
3	587 44 86-02	HOLDER KIT	Holder Assy	1
4	574 45 01-01	SCHROEF ITXPANT	Screw	1
5	589 55 27-03	KAP	Hood	1
6	588 47 02-01	VEER	Spring Hood	1 10
7	574 38 21-01	STICKER	Crown	1 10
8	580 52 68-01	KAP	Cap Snaplock	3 10
9	574 45 01-01	SCHROEF ITXPANT	Screw	6
10	587 44 85-02	BODY KIT	Body Assy	1
11	586 35 97-01	PLAATJE	Label Warning	1 13
12	574 45 01-01	SCHROEF ITXPANT	Screw	2
13	587 44 87-01	BUMPER	Bumper Assy	1
14	589 33 70-01	BUMPER	Bumper front	1 10

**B** AUTOMOWER 315X  
CHASSIS UPPER



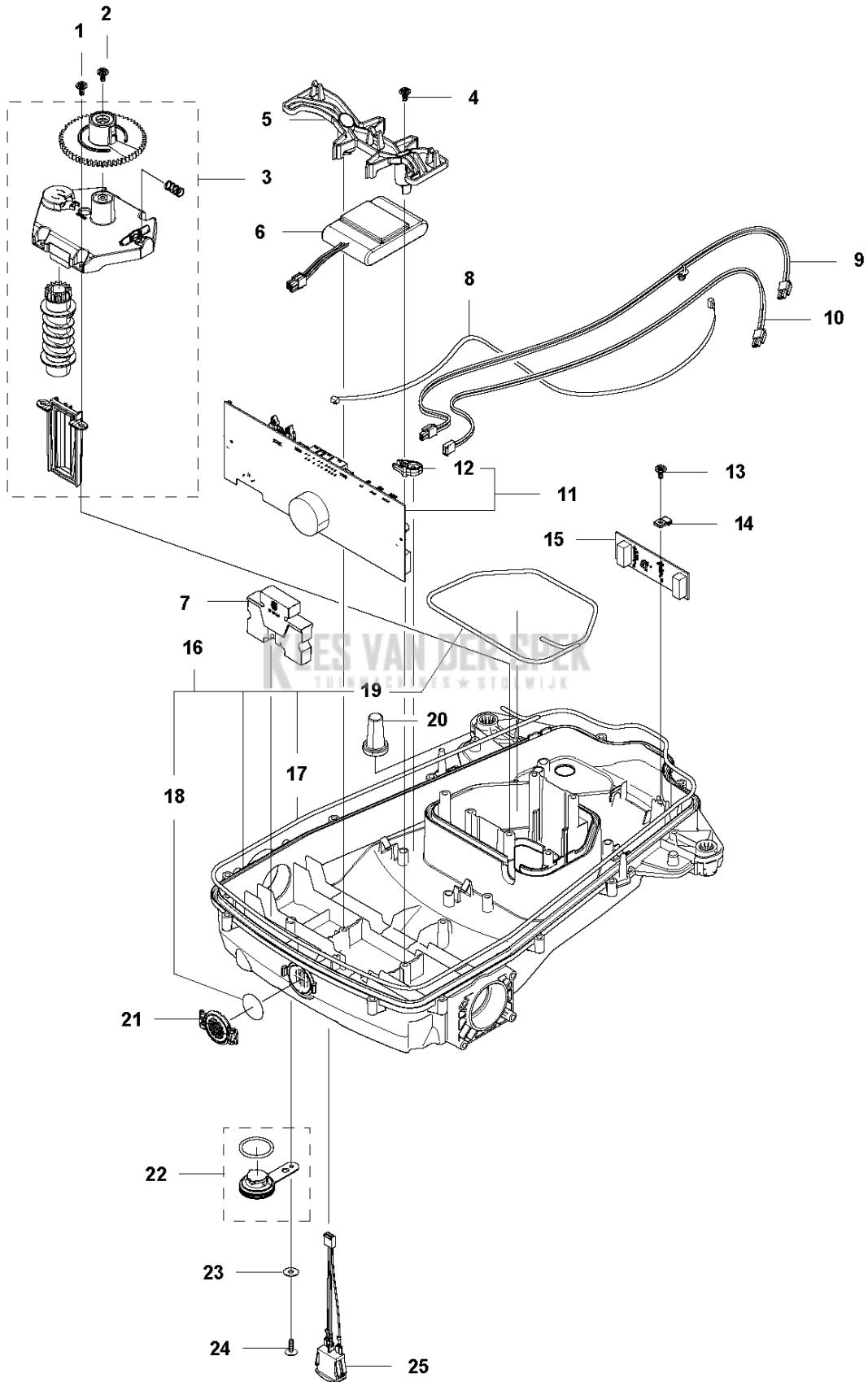
Referentie	Onderdeel nr	Omschrijving	Opmerking	Aant KIT al	
1	581 62 09-03	JOYSTICK KIT	Joystick KIT Front	1	
2	580 52 67-01	TAPEIND	Stud	1	1
3	579 52 57-01	RING	Washer	1	1
4	579 47 46-01	BALG	Bellows	1	1
5	587 44 88-02	JOYSTICK KIT	Joystick ASSY	1	1
6	503 22 66-01	MOER 4-KANT	Square Nut	1	1,5
7	592 85 23-01	PRINTPLAAT COMPL.	PCBA Lift Sensor	1	
8	575 54 33-14	SCREW	Screw	3	
9	574 45 01-01	SCHROEF ITXPANT	Screw	4	
10	594 05 86-01	JOYSTICK ASSY	Joystick KIT Rear	2	
11	574 45 01-01	SCHROEF ITXPANT	Screw	12	
12	587 44 89-02	CHASSIS KIT	Chassis KIT	1	
13	574 87 47-09	AFDICHTINGSSTRIP	Sealing Strip (1 pcs, Ø5 mm)	1	12
14	574 87 47-08	AFDICHTINGSSTRIP	Sealing Strip (1 pcs, Ø5 mm)	1	12
15	587 98 65-02	KNOP	Knob	1	
16	589 56 09-01	PLAAT	Height Adjustment	1	
17	592 90 95-01	PRINTPLAAT COMPL.	PCBA Collision Sensor	1	
18	574 45 01-01	SCHROEF ITXPANT	Screw	3	
19	580 68 29-01	HOLDER	Holder Twist Lock	3	
20	585 20 85-01	HANDVAT	Loom Lift-Collision	1	
21	588 79 78-01	BEKABELING COMPL.	Loom	1	
22	574 45 01-01	SCHROEF ITXPANT	Screw	4	
23	586 66 23-05	GPS MODULE	Combo KIT (all markets)	1	

**C** AUTOMOWER 315X  
CENTER CONSOL



Referentie	Onderdeel nr	Omschrijving	Opmerking	Aant KIT al
1	587 65 13-02	HATCH KIT	Hatch KIT black	1
2	585 27 56-01	KNOOP	Stop Button	1
3	585 27 59-01	SLOT	Lock	1
4	585 25 54-01	TORSIEVEER	Torsion Spring	1
5	576 24 22-01	VEER	Spring	3
6	574 48 03-02	SCHAKELAAR	Switch	1
7	585 27 57-01	STEUN	Support Rear	1
8	575 54 33-14	SCREW	Screw	2
9	584 97 46-01	TOETSENBORD	"Keyboard 2.8"" Display 315"	1 10
10	587 44 90-03	DEKSELSET	"Cover KIT 2.8"" Display 315X"	1
11	574 87 47-08	AFDICHTINGSSTRIP	Sealing Strip (1 pcs, Ø5 mm)	1 10
12	592 91 02-01	PRINTPLAAT COMPL.	"PCBA MMI 2.8"" Display 315"	1
13	501 10 61-01	SUPPORT KIT	Support KIT	1
14	575 54 33-14	SCREW	Screw	2

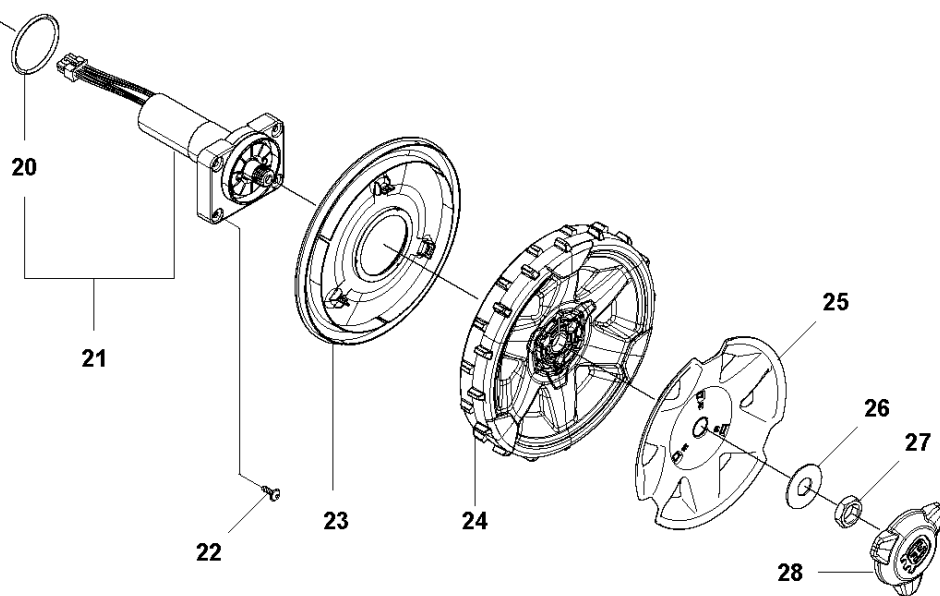
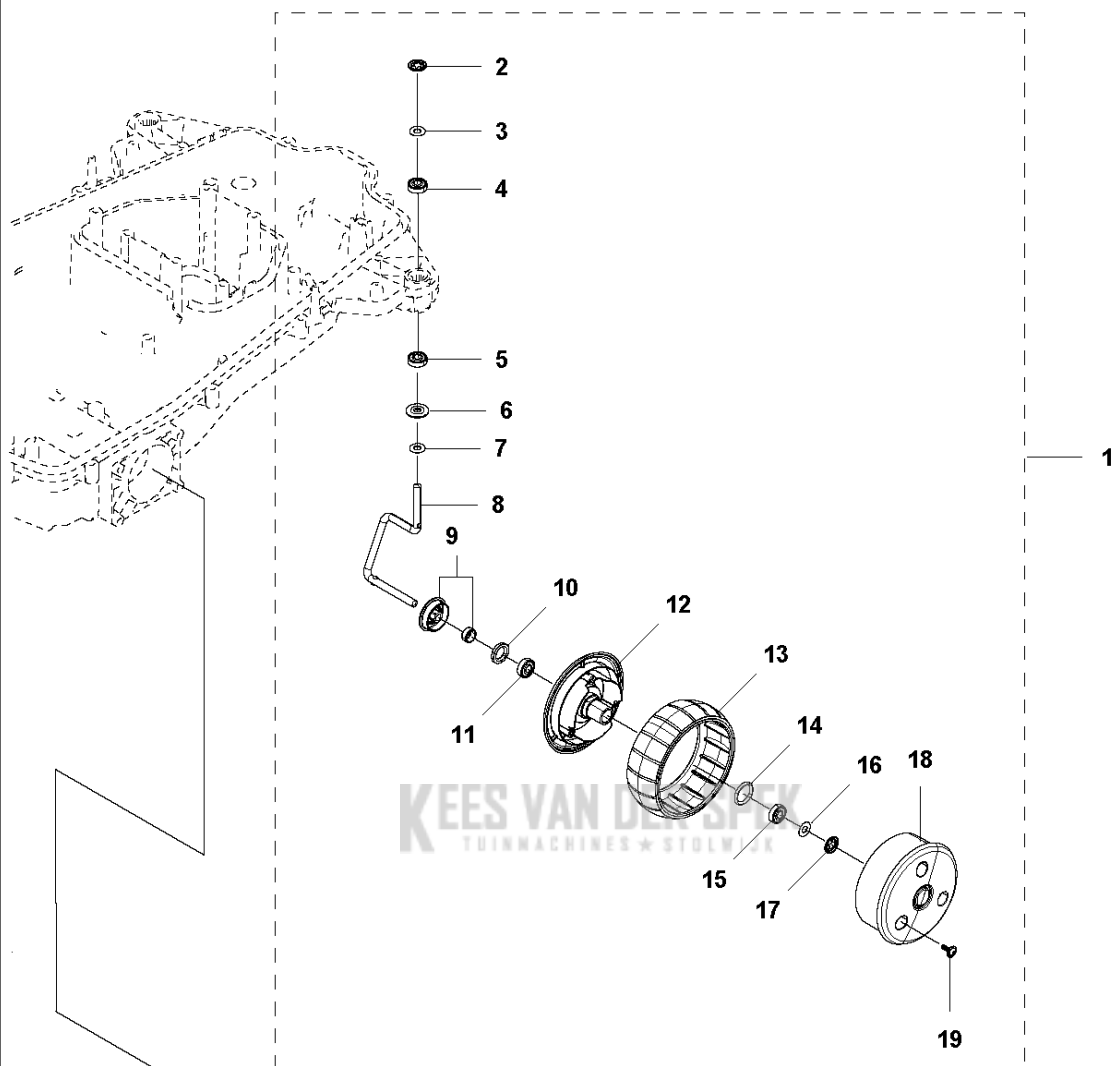
**D** AUTOMOWER 315X  
CHASSIS LOWER





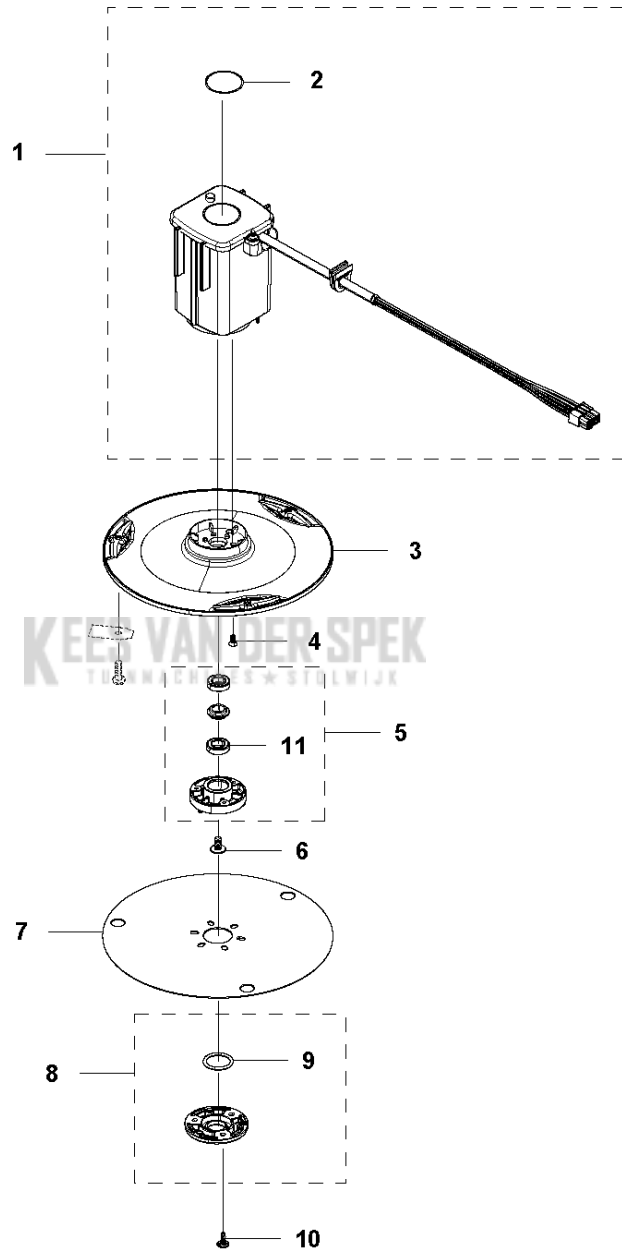
Referentie	Onderdeel nr	Omschrijving	Opmerking	Aant KIT al
1	574 45 01-01	SCHROEF ITXPANT	Screw	4
2	574 45 01-01	SCHROEF ITXPANT	Screw	1
3	501 10 66-01	DEKSELSET	Cover KIT	1
4	574 45 01-01	SCHROEF ITXPANT	Screw	2
5	589 49 80-01	HOUDER	Holder Battery	1
6	589 58 62-01	ACCU	Battery	1
7	589 36 62-01	GEWICHT	Weight	1
8	579 70 82-01	BEKABELING COMPL.	Loom Loop Sensor	1
9	585 53 90-01	HANDVAT	Loom Charging	1
10	588 81 84-02	BEKABELING COMPL.	LED extension	1
11	592 85 18-01	PRINTPLAAT COMPL.	Main Board	1
12	585 53 83-01	KLEM	Clips	2 11
13	574 45 01-01	SCHROEF ITXPANT	Screw	1
14	579 52 94-01	KLEM	Clamp	1
15	592 85 27-01	PRINTPLAAT COMPL.	Sensor Board	1
16	587 44 92-03	CHASSIS KIT	Chassis Lower KIT	1
17	574 87 47-09	AFDICHTINGSSTRIP	Sealing Strip (1 pcs, Ø5 mm)	1 16
18	577 75 37-01	LUCHTFILTER	Air Filter	1 16
19	574 87 47-08	AFDICHTINGSSTRIP	Sealing Strip (1 pcs, Ø5 mm)	1 16
20	586 34 26-01	KOLOM	Pillar	2
21	586 03 89-01	DEKSEL	Cover Filter	1
22	581 62 12-02	PLUG KIT	Plug KIT	1
23	734 11 37-41	RING	Washer	1
24	574 45 01-01	SCHROEF ITXPANT	Screw	1
25	579 70 87-01	BEKABELING COMPL.	Loom On-Off	1

**E** AUTOMOWER 315X  
WHEELS & TIRES



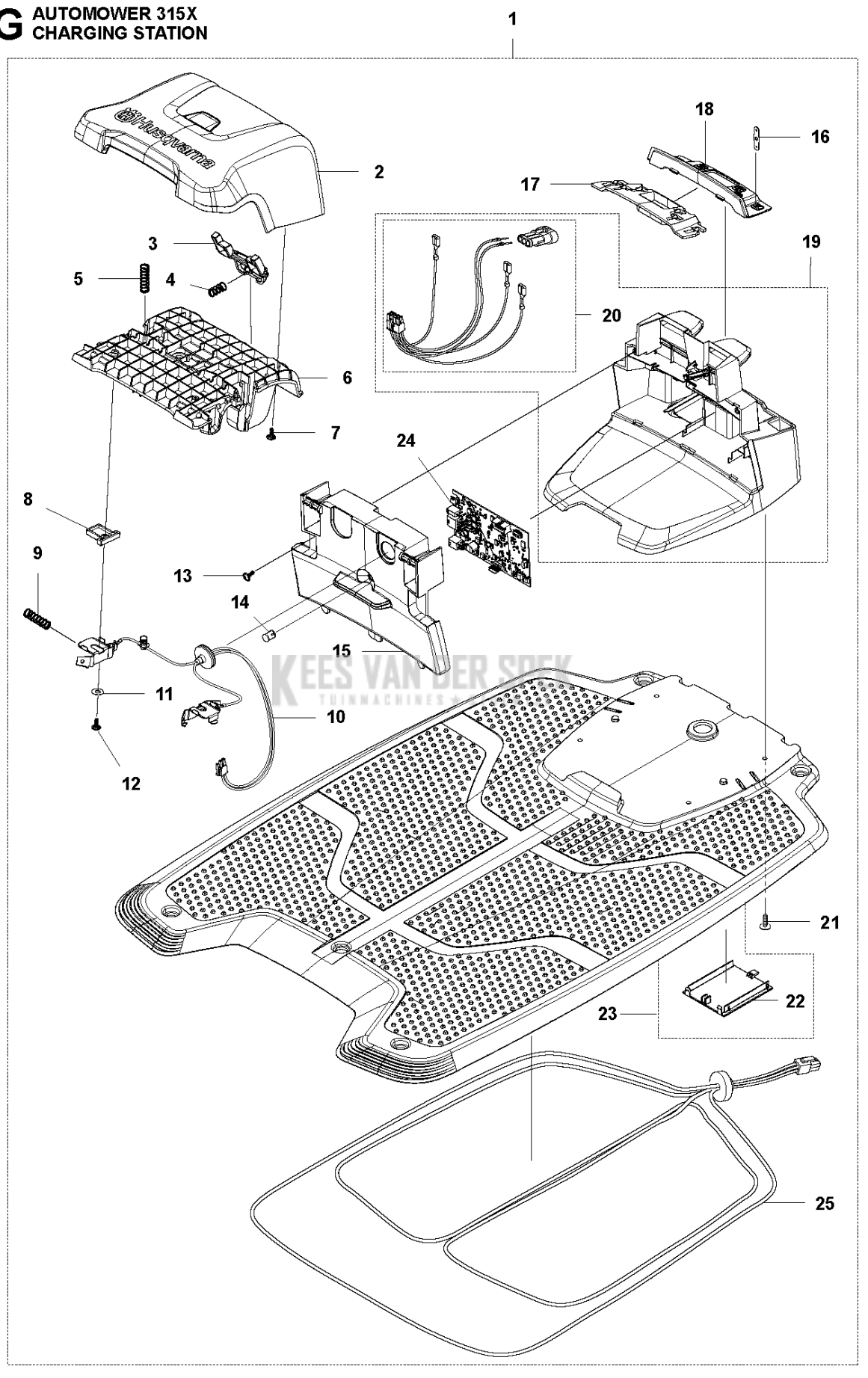
Referentie	Onderdeel nr	Omschrijving	Opmerking	Aant KIT al
1	587 65 19-01	WHEEL KIT	Front Wheel KIT	2
2	576 01 94-02	BORGRING	Lock Washer	2 1
3	585 19 68-01	RING	Washer	2 1
4	585 21 42-01	KOGELLAGER	Ball Bearing	2 1
5	585 21 42-01	KOGELLAGER	Ball Bearing	2 1
6	535 08 78-02	RING	Washer	2 1
7	585 19 68-01	RING	Washer	2 1
8	585 18 72-01	SPINDEL	Spindle	2 1
9	587 44 93-01	SHIELD KIT	Shield KIT	2 1
10	580 48 71-01	AFDICHTING	Sealing	2 1
11	585 21 42-01	KOGELLAGER	Ball Bearing	2 1
12	579 45 71-01	WIEL	Wheel Inside	2 1
13	574 44 98-01	WIEL	Wheel Tyre	2 1
14	580 44 51-01	O-RING	O-ring	2 1
15	585 21 42-01	KOGELLAGER	Ball Bearing	2 1
16	585 19 68-01	RING	Washer	2 1
17	576 01 94-01	BORGRING	Lock Washer	2 1
18	579 45 72-01	WIEL	Wheel Outside	2 1
19	575 54 33-14	SCREW	Screw	6 1
20	580 44 39-02	O-RING	O-ring	2 21
21	587 44 94-04	MOTOR KIT	Motor Assy (o-ring incl from suppl)	2
22	574 45 01-01	SCHROEF ITXPANT	Screw	8
23	585 06 56-01	DEKSEL	Cover - Rear Wheel	2
24	590 21 73-03	WIEL COMPL.	Rear Wheel	2
25	590 21 78-01	DEKSEL	Cover Painted	2
26	586 21 06-01	RING	Washer	2
27	731 43 24-01	DUNNE ZESKANTIGE MOER	Thin Nut	2
28	579 50 55-02	NAAFDOP	Hub Cap	2

**F** AUTOMOWER 315X  
BLADE MOTOR & CUTTING EQUIPMENT



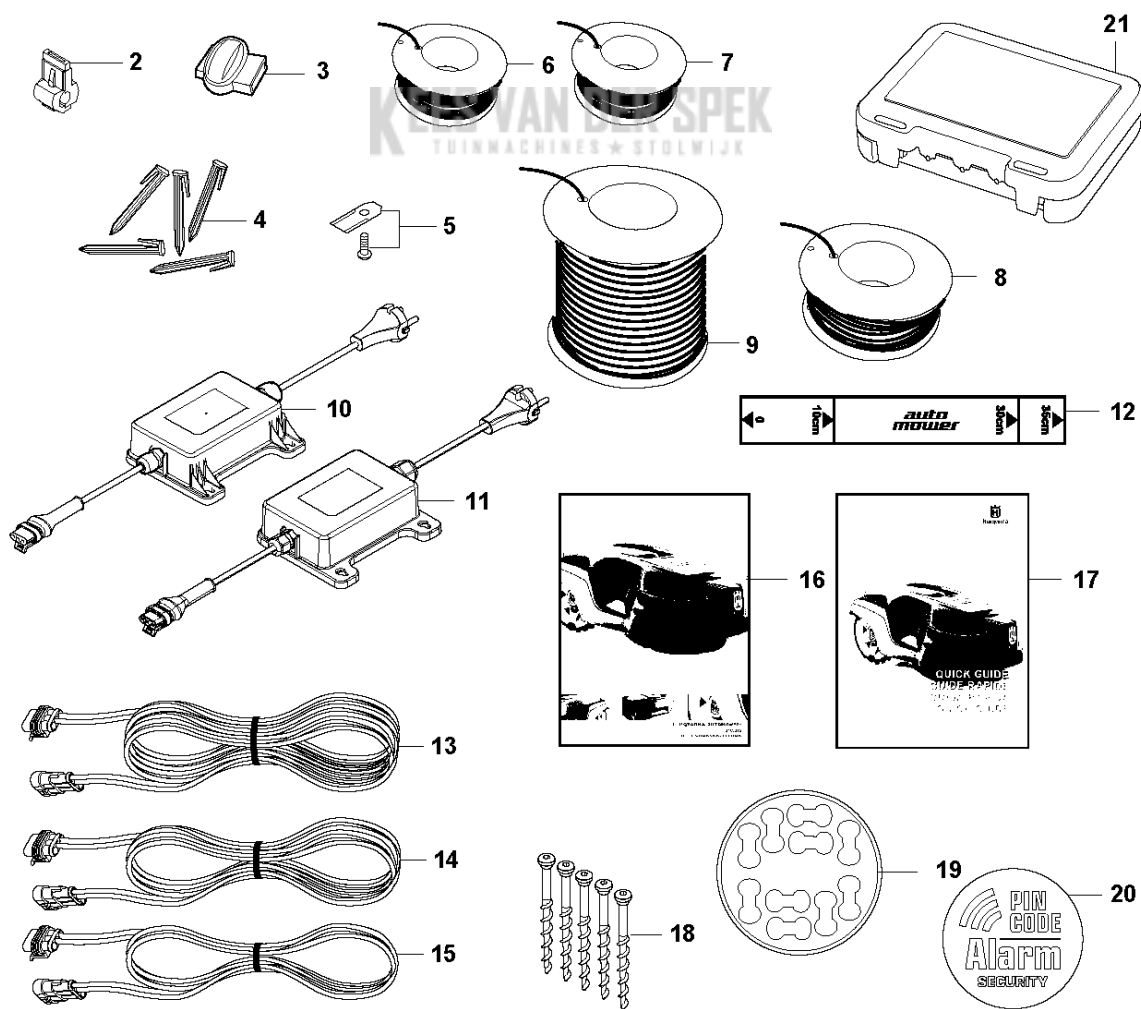
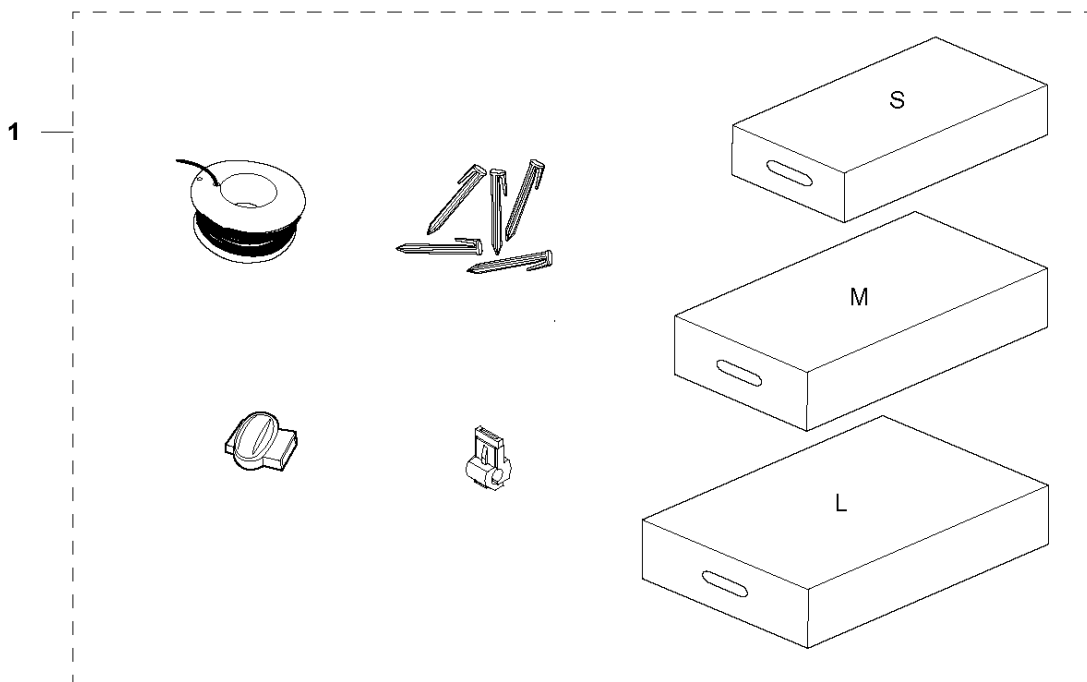
Referentie	Onderdeel nr	Omschrijving	Opmerking	Aant KIT al
1	584 92 05-02	MOTOR COMPL.	Motor ASSY (filter incl from suppl)	1
2	577 75 37-01	LUCHTFILTER	Air Filter	1 1
3	585 29 69-02	ZAAGSCHIJF	Cutting Disk	1
4	590 50 87-01	SCREW	Screw	3
5	588 42 17-02	LAGERHUIS COMPL	Bearing Housing ASSY	1
6	535 07 60-01	SCREW	Screw	1
7	585 29 70-01	GLIJ PLAAT	Skid Plate	1
8	587 44 96-01	DEKSELSET	Cover Assy	1
9	585 29 75-01	O-RING	O-Ring	1 8
10	575 54 33-14	SCREW	Screw	3
11	535 07 57-03	KOGELLAGER		1
11	593 08 08-01	KOGELLAGER	Tube 50 pcs	1

**G** AUTOMOWER 315X  
CHARGING STATION



Referentie	Onderdeel nr	Omschrijving	Opmerking	Aant KIT al
1	585 16 40-02	LAADSTATION	Charging Station	1
2	585 07 11-02	KAP	Cap	1
3	579 46 24-02	KNOOP	Button - Release	1
4	574 48 70-01	VEER	Spring	1
5	580 51 14-01	VEER	Spring	2
6	579 45 80-04	FRAME	Frame	1
7	575 54 33-14	SCREW	Screw	4
8	579 46 05-01	AFSTANDRING	Distance	2
9	580 51 14-01	VEER	Spring	2
10	585 53 95-02	KABEL COMPL.	Loom Charging Contact	1
11	734 11 37-41	RING	Washer	2
12	575 54 33-14	SCREW	Screw	2
13	575 54 33-14	SCREW	Screw	2
14	590 21 72-01	LENS	Lens	1
15	585 07 14-01	DEKSEL	Lid	1
16	580 50 41-01	KLEM	Terminal	3
17	579 45 98-01	PAN	Panel	1
18	579 45 99-01	HOLDER	Holder	1
19	588 41 61-01	HUIS COMPL.	Housing	1
20	587 65 15-01	LOOM KIT	Loom KIT	1 19
21	575 54 33-14	SCREW	Screw	4
22	585 91 93-01	DEKSEL	Cover	1 23
23	587 65 16-02	LAADCONTACT	Charging Plate KIT	1
24	592 90 93-02	PRINTPLAAT COMPL.	Printed Circuit ASSY PCBA	1
25	590 52 72-01	KABEL COMPL.	Cable Assy	1

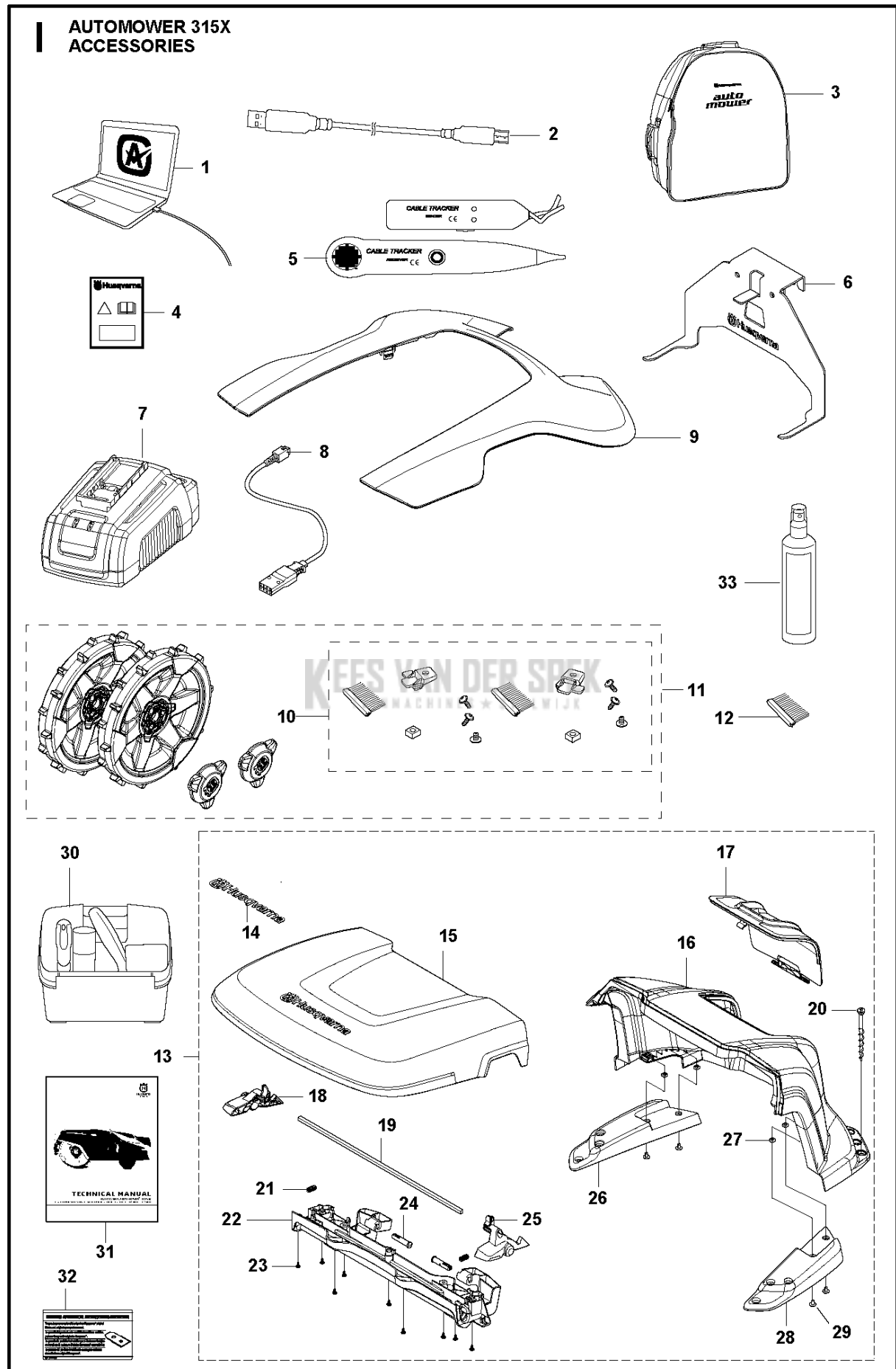
# H AUTOMOWER 315X INSTALLATION ACCESSORIES





Referentie	Onderdeel nr	Omschrijving	Opmerking	Aant KIT al
1	967 62 36-01	INSTALLATION KIT	"Installation KIT S: Wire (150 m), Staples (300 pcs), Connectors (3 pcs), Couplers (5 pcs)"	1
1	967 62 36-02	INSTALLATION KIT	"Installation KIT M: Wire (250 m), Staples (400 pcs), Connectors (3 pcs), Couplers (5 pcs)"	1
1	967 62 36-03	INSTALLATION KIT	"Installation KIT L: Wire (400 m), Staples (600 pcs), Connectors (5 pcs), Couplers (5 pcs)"	1
2	535 12 90-01	VERBINDER	Loop Wire Connector	1
2	535 12 90-02	VERBINDER	Loop Wire Connector, Blister Pack, 100 pcs	1
2	577 86 48-01	VERBINDER	Loop Wire Connector, Blister Pack, 5 pcs	1
3	501 98 02-01	KOPPELSTUK	Coupler	1
3	577 86 47-01	KOPPELSTUK	Coupler, Blister Pack, 5 pcs	2
3	501 98 02-03	KOPPELSTUK	Coupler, 100 pcs	1
4	583 97 34-01	NIET	Staples, 100 pcs	1
5	577 86 46-03	BLADE SET	Long Life - Safety Blade, Blister Pack, 9 pcs	1
5	577 60 65-05	BLADE SET	Long Life - Safety Blade, 45 pcs	1
5	577 60 66-04	BLADE SET	Long Life - Safety Blade, 300 pcs	1
6	577 86 43-02	KABEL	Wire, Blister Pack, (50 m)	1
6	580 66 20-02	KABEL	Wire (150 m)	1
6	577 86 43-01	KABEL	Wire, Blister Pack, (150 m)	1
7	580 66 20-01	KABEL	Wire (250 m)	1
8	522 91 41-01	KABEL	Wire (500 m) Ø3,4mm	1
9	580 66 20-04	KABEL	Wire (800 m)	1
10	593 16 36-01	MOTOR UNIT	Power Supply Unit EU	1
11	590 44 22-02	MOTOR UNIT	Power Supply Unit UK, IE	1
11	584 86 26-01	MOTOR UNIT	EU	1
11	590 44 22-03	MOTOR UNIT	Power Supply Unit CH	1
11	584 86 26-04	MOTOR UNIT	Power Supply Unit US, CA	1
11	584 86 26-05	MOTOR UNIT	Power Supply Unit AU, NZ	1
11	584 86 26-06	MOTOR UNIT	Power Supply Unit JP	1
11	584 86 26-07	MOTOR UNIT	Power Supply Unit KR	1
12	544 17 75-01	MEETBAND	Measuring Tape	1
13	579 82 51-01	KABEL COMPL.	Low voltage cable 20m	1
14	579 82 51-02	KABEL COMPL.	Low voltage cable 10m	1
15	579 82 51-03	KABEL COMPL.	Low voltage cable 3m	1
15	579 82 51-04	KABEL COMPL.	Low Voltage Cable (5 m)	1
16	115 90 71-10	GEBRUIKSAANWIJZING	OM Slim P1/P15/P2 SE/DK/NO/FI	1
16	115 90 71-20	GEBRUIKSAANWIJZING	OM Slim P1/P15/P2 DE/FR/NL/SI	1
16	115 90 71-30	GEBRUIKSAANWIJZING	OM Slim P1/P15/P2 ES/PT/IT/EN	1
16	115 90 71-38	GEBRUIKSAANWIJZING	OM Slim P1/P15/P2 EN/ES/FR/JP	1
16	115 90 71-39	GEBRUIKSAANWIJZING	OM Slim P1/P15/P2 DE/FR/IT/EN	1
16	115 90 71-40	GEBRUIKSAANWIJZING	OM Slim P1/P15/P2 RU/EE/LV/LT	1
16	115 90 71-50	GEBRUIKSAANWIJZING	OM Slim P1/P15/P2 CZ/SK/PL/HU/UA	1
16	115 90 71-93	GEBRUIKSAANWIJZING	OM Slim P1/P15/P2 HR/TR/RO/GR/BG	1
16	115 90 71-94	GEBRUIKSAANWIJZING	OM Slim P1/P15/P2 EN/KO/JP	1
17	115 90 61-10	QUICK GUIDE	Quick Guide, SE/NO/DK/FI	1
17	115 90 61-20	QUICK GUIDE	Quick Guide, DE/FR/NL/SI	1
17	115 90 61-30	QUICK GUIDE	Quick Guide, ES/PT/IT/EN	1

Referentie	Onderdeel nr	Omschrijving	Opmerking	Aant KIT al
17	115 90 61-38	QUICK GUIDE	Quick Guide, EN/ES/FR/JP	1
17	115 90 61-39	QUICK GUIDE	Quick Guide, DE/FR/IT/EN	1
17	115 90 61-40	QUICK GUIDE	Quick Guide, RU/EE/LV/LT	1
17	115 90 61-50	QUICK GUIDE	Quick Guide, CZ/SK/PL/HU	1
17	115 90 61-93	QUICK GUIDE	Quick Guide, HR/TR/RO/GR	1
17	115 90 61-94	QUICK GUIDE	Quick Guide, EN/UK/KO/JP	1
18	575 23 86-03	SCREW KIT	Screw KIT, 5 pcs	1
19	586 27 79-01	STICKER	Sticker, Cable Markers, 10 pcs	1
20	579 57 12-01	PLAATJE	Label Alarm	1
21	590 85 50-01	DOOS	Cable Connector Protection	1



## ACCESSOIRES

## AUTOMOWER 315X, 2020-

Referentie	Onderdeel nr	Omschrijving	Opmerking	Aant KIT al
2	577 51 81-02	KABEL	Service Cable (USB)	2
3	522 91 67-01	TAS	Bag	2
4	580 68 95-02	PLAATJE	Warranty Seal 1pcs	2
5	577 60 68-01	TESTUITRUSTING	Interruption Detector	2
6	587 22 40-01	WALL HANGER	Wallhanger 310/315/315X	2
7	588 40 84-01	OPLADER	Quick Charger with Battery Test	2
8	588 20 26-01	KABEL COMPL.	Cable Quick Charger	2
9	590 87 69-01	BODY KIT	Top Cover Robotic Grey	2
9	590 87 69-02	BODY KIT	Top Cover White	2
9	590 87 69-03	BODY KIT	Top Cover Orange	2
10	587 23 57-01	BORSTELSET	Wheel Brush KIT (Holder x2, Brush x6)	2 11
11	587 23 53-01	WHEEL KIT	Terrain KIT (Brush KIT + Rear wheels)	2
12	505 13 28-03	BORSTEL	Brush, 6 pcs	2
13	587 23 61-01	HUIS	House KIT	2
14	577 46 90-01	STICKER	Decal	2 13
15	585 32 35-01	DEKSEL	Lid	2 13
16	586 99 38-01	DEKSEL	Cover Base	2 13
17	585 32 36-01	LUIK	Hatch	6 13
18	585 32 40-02	HENDEL	Handle Left	2 13
19	585 32 41-01	STANG	Rod	1 13
20	575 23 86-01	SCREW KIT	Screw KIT, 6 pcs	8 13
21	580 51 14-01	VEER	Spring	2 13
22	585 34 16-01	BALK	Beam	2 13
23	575 54 33-14	SCREW	Screw	2 13
24	585 34 15-01	SCHANIERPEN	Hinge Pin	2 13
25	585 32 40-01	HENDEL	Handle Right	2 13
26	585 32 38-02	STEUUN	Support Left	13
27	503 22 66-01	MOER 4-KANT	Square Nut	13
28	585 32 38-01	STEUUN	Support Right	13
29	535 12 93-03	SCHROEF IHPANM	Screw	13
30	590 85 51-01	KIT	Maintenance and cleaning kit	
31	115 82 03-01	WERKPLAATSHANDBOEK	Technical Handbook -310, 315, Sileno: Swedish	
31	115 82 03-06	WERKPLAATSHANDBOEK	Technical Handbook -310, 315, Sileno: Danish	
31	115 82 03-11	WERKPLAATSHANDBOEK	Technical Handbook -310, 315, Sileno: Finnish	
31	115 82 03-21	WERKPLAATSHANDBOEK	Technical Handbook -310, 315, Sileno: Norwegian	
31	115 82 03-26	WERKPLAATSHANDBOEK	Technical Handbook -310, 315, Sileno: English	
31	115 82 03-31	WERKPLAATSHANDBOEK	Technical Handbook -310, 315, Sileno: French	
31	115 82 03-36	WERKPLAATSHANDBOEK	Technical Handbook -310, 315, Sileno: Dutch	
31	115 82 03-41	WERKPLAATSHANDBOEK	Technical Handbook -310, 315, Sileno: Italian	
31	115 82 03-46	WERKPLAATSHANDBOEK	Technical Handbook -310, 315, Sileno: Spanish	
31	115 82 03-51	WERKPLAATSHANDBOEK	Technical Handbook -310, 315, Sileno: German	
31	115820356	TBD	Technical Handbook -310, 315, Sileno: Russian	
31	115820358	TBD	Technical Handbook -310, 315, Sileno: Hungarian	
31	115820359	TBD	Technical Handbook -310, 315, Sileno: Portuguese	
31	115820361	TBD	Technical Handbook -310, 315, Sileno: Polish	
31	115820362	TBD	Technical Handbook -310, 315, Sileno: Romanian	
31	115820363	TBD	Technical Handbook -310, 315, Sileno: Estonian	

## ACCESSOIRES

AUTOMOWER 315X, 2020-

Referentie	Onderdeel nr	Omschrijving	Opmerking	Aant KIT al
31	115820364	TBD	Technical Handbook -310, 315, Sileno: Latvian	
31	115820365	TBD	Technical Handbook -310, 315, Sileno: Lithuanian	
31	115820368	TBD	Technical Handbook -310, 315, Sileno: Slovakian	
31	115820371	TBD	Technical Handbook -310, 315, Sileno: Greek	
31	115820376	TBD	Technical Handbook -310, 315, Sileno: Turkish	
31	115820379	TBD	Technical Handbook -310, 315, Sileno: Japanese	
31	115820381	TBD	Technical Handbook -310, 315, Sileno: Croatian	
31	115 82 03-84	WERKPLAATSHANDBOEK	Technical Handbook -310, 315, Sileno: Slovenian	
31	115820390	TBD	Technical Handbook -310, 315, Sileno: Czech	
31	115820396	TBD	Technical Handbook -310, 315, Sileno: Spanish (USA)	
32	591 37 41-01	STICKER	Original Parts sticker SV NO DK FI	
32	591 37 41-02	STICKER	Original Parts sticker DE FR NL IT	
32	591 37 41-03	STICKER	Original Parts sticker EN ES FR IT	
33	593 96 79-01	SPRAY		1