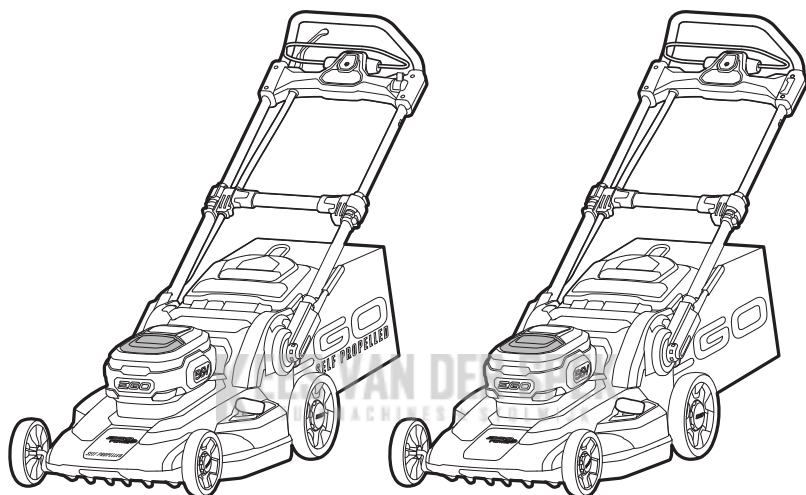


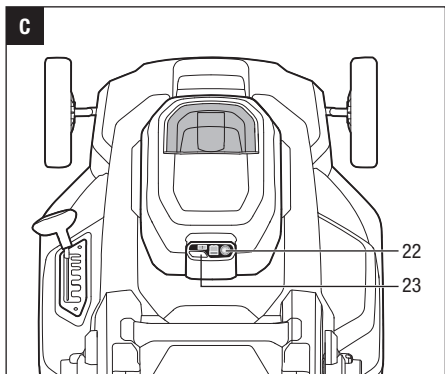
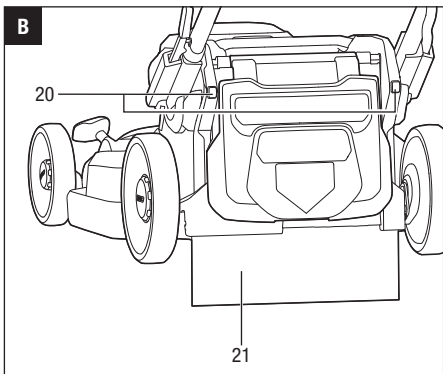
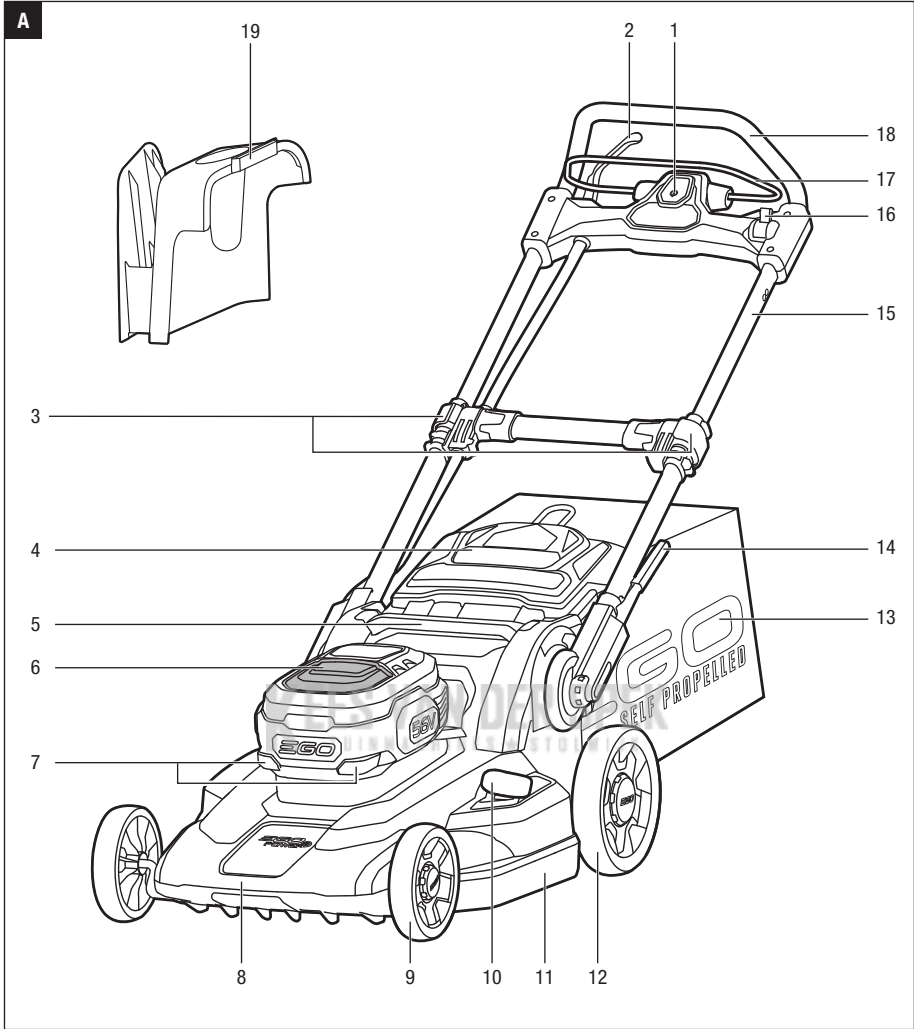
EGO™

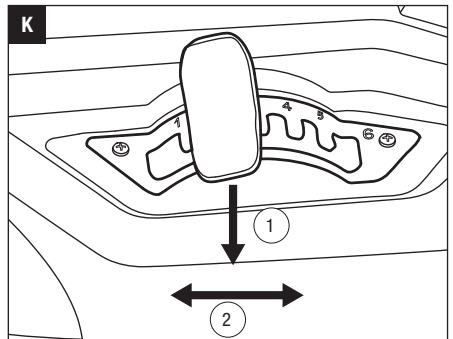
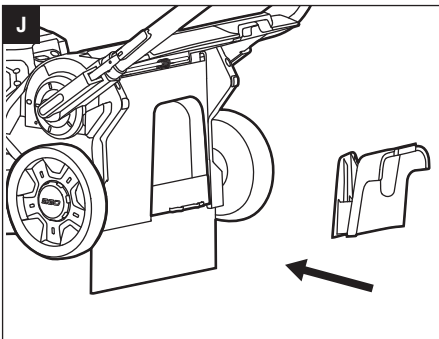
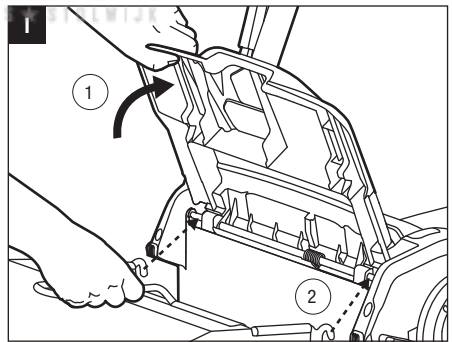
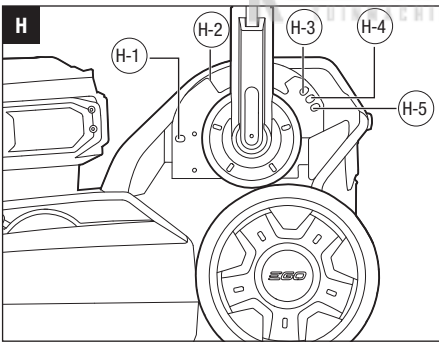
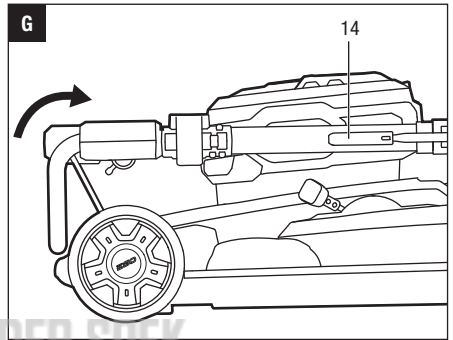
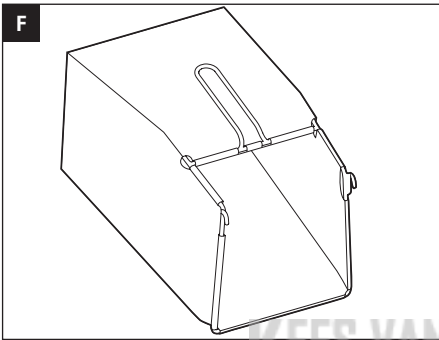
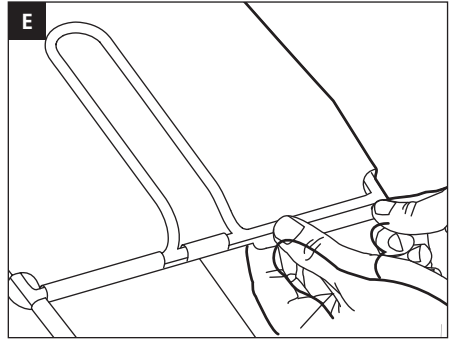
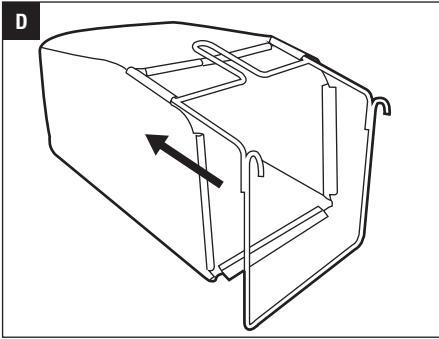
POWER⁺ MOWER

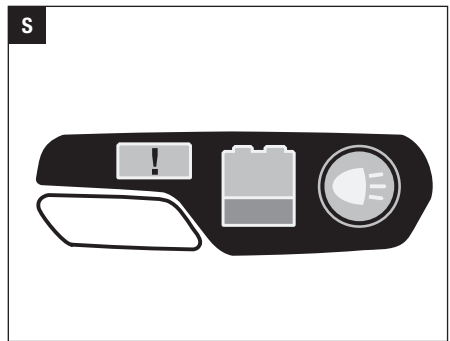
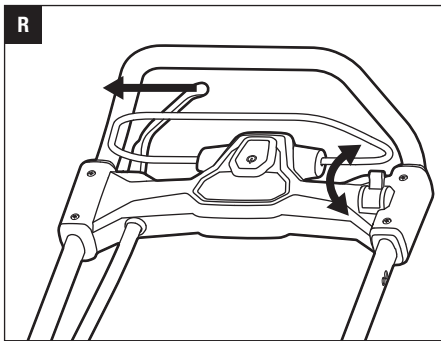
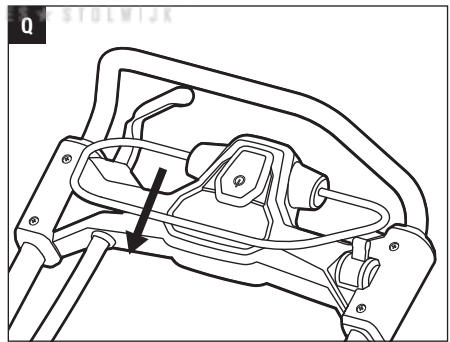
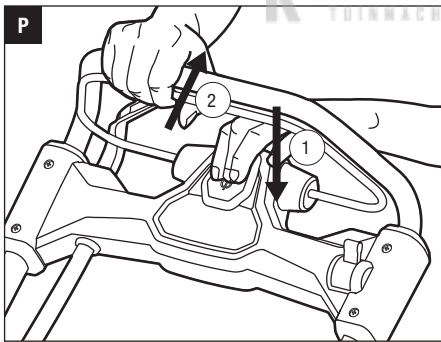
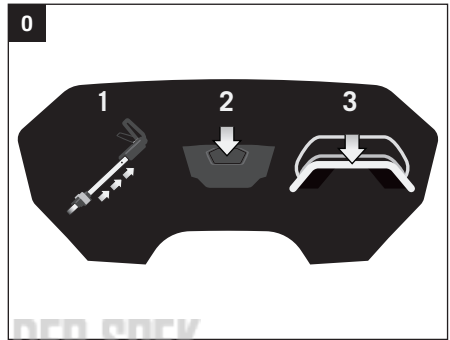
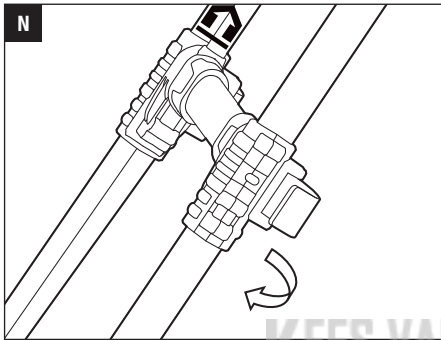
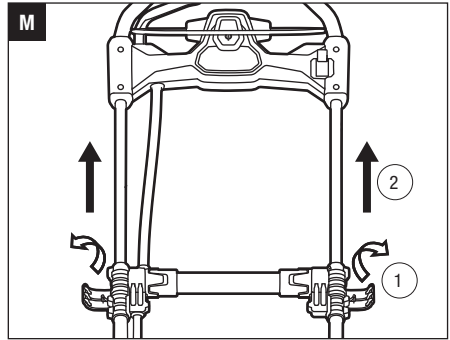
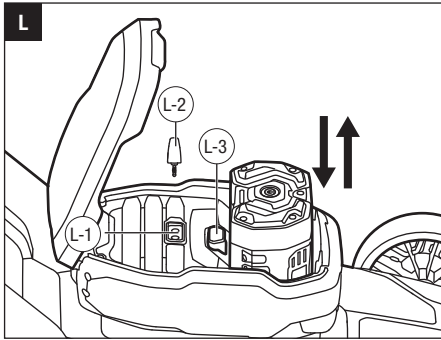


OPERATOR'S MANUAL
**56 VOLT LITHIUM-ION
 CORDLESS MOWER**
 MODEL NUMBER LM2120E / LM2120E-SP

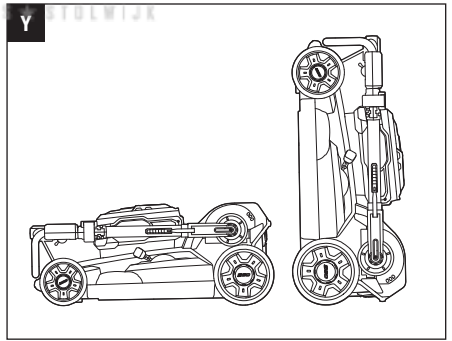
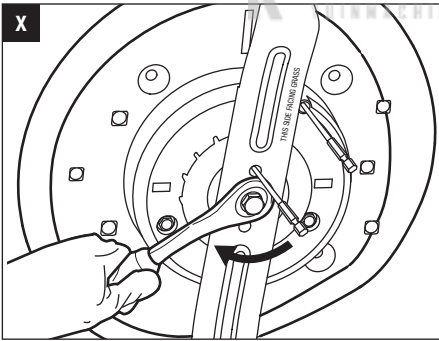
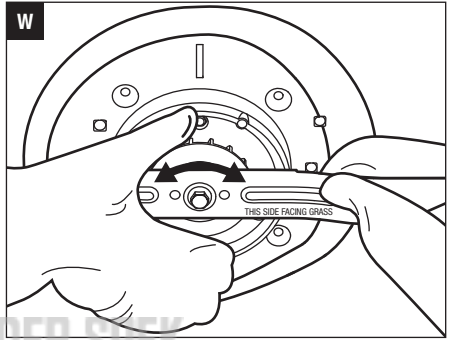
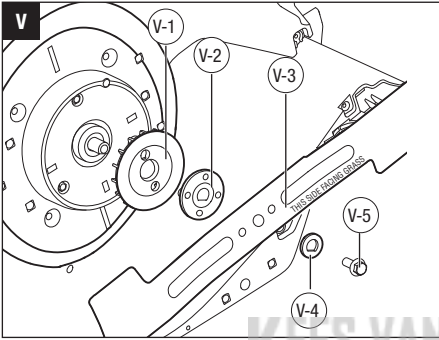
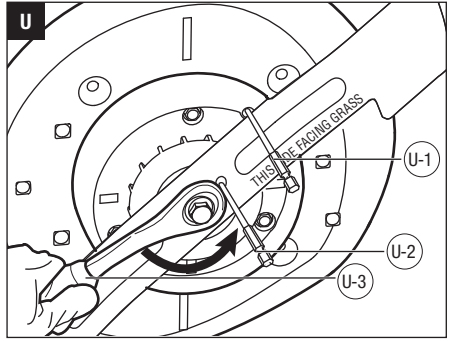
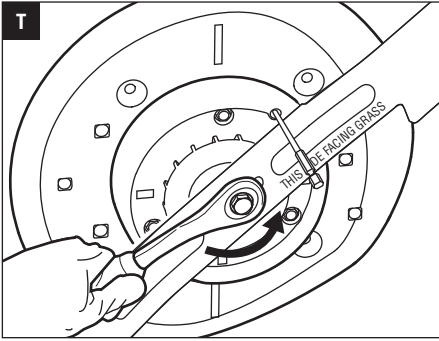
EN	56 Volt lithium-ion cordless mower	6	PL	Kosiarka bezprzewodowa na akumulator jonowo-litowy 56 woltów	153
DE	56-volt lithium-ionen kabelloser rasenmäher	18	CZ	56 voltová lithiium-iontová bezdrátová sekačka na trávu	165
FR	Tondeuse sans fil au lithium-ion de 56 volts	31	SK	56 voltová lítium-iónová bezdrôtová kosačka na trávu	176
ES	Cortacésped inalámbrico de ión de litio de 56V	44	HU	56 voltos vezeték nélküli lítium-ion fűnyíró	188
PT	Máquina de cortar relva sem fios de 56 volts de ião e lítio	58	RO	Mașină de tuns iarba cu acumulator de litiu ion de 56 volți	200
IT	Tosaerba senza fili a batteria li-ion 56 volt	70	SL	56-voltna litij-ionska brezžična kosilnica	212
NL	56-volt lithium-ion accugrasmaaier	82	LT	56 voltų ličio jonų belaidė žolijaprovė	224
DK	56 volt litium-ion-batteri akku plæneklipper	94	LV	56 volta litija jonu bezvadu zāles pļāvējs	236
SE	56 volts staddlös gräsklippare med litium-jonbatteri	106	GR	Ασυρματη χλοοκοπτική μηχανή ιοντων - λιθίου 56 volt	248
FI	56 voltin litiumioniakulla akkukäyttöinen ruohonleikkuri	117	TR	56 volt lityum-iyon kablosuz çim biçme makinesi	261
NO	56 volt lithium-ion gressklipper uten ledning	129	ET	56-voldisee liitiumioonakuga akutoitel muruniiduk	273
RU	Беспроводная газонокосилка на литий-ионной батарее 56В	140			







KEES VAN DER SPEK
TOEGEBORVEN



EN READ ALL INSTRUCTIONS!



READ OPERATOR'S MANUAL

⚠ Residual risk! People with electronic devices, such as pacemakers, should consult their physician(s) before using this product. Operation of electrical equipment in close proximity to a heart pacemaker could cause interference or failure of the pacemaker.

⚠ WARNING: To ensure safety and reliability, all repairs and replacements should be performed by a qualified service technician.

Intended use & Foreseeable misuse: The product is intended for mowing grass in domestic gardens only. It must not be used to mow unusually high, dry or wet grass, e.g. pasture grass; or to shred leaves. The product is to be used only for its prescribed purpose. Any other use is deemed to be a case of misuse.

SAFETY SYMBOLS

The purpose of safety symbols is to attract your attention to possible dangers. The safety symbols and the explanations with them deserve your careful attention and understanding. The symbol warnings do not, by themselves, eliminate any danger. The instructions and warnings they give are no substitutes for proper accident prevention measures.

⚠ WARNING: Be sure to read and understand all safety instructions in this Operator's Manual, including all safety alert symbols such as **"DANGER," "WARNING,"** and **"CAUTION"** before using this tool. Failure to follow all instructions listed below may result in electric shock, fire, and/or serious personal injury.

SYMBOL MEANING

SAFETY ALERT SYMBOL: Indicates **DANGER,** **WARNING,** or **CAUTION.** May be used in conjunction with other symbols or pictographs.

⚠ WARNING: The operation of any power tools can result in foreign objects being thrown into your eyes, which can result in severe eye damage. Before beginning power tool operation, always wear safety goggles or safety glasses with side shields and a full face shield when needed. We recommend a Wide Vision Safety Mask for use over eyeglasses or standard safety glasses with side shields.

SAFETY INSTRUCTIONS

This page depicts and describes safety symbols that may appear on this product. Read, understand, and follow all instructions on the machine before attempting to assemble and operate.

	Safety Alert	Precautions that involve your safety.
	Wear Eye Protection	Always wear safety goggles or safety glasses with side shields and a full face shield when operating this product.
	Read Operator's Manual	To reduce the risk of injury, user must read and understand operator's manual before using this product.
	Beware of Sharp Blades.	Blades continue to rotate after the motor is switched off – Remove disabling device before maintenance. Switch off and remove detachable battery pack(or disabling device) before adjusting or cleaning.
	Keep Bystanders Away	Ensure that other people and pets remain at least 30m away from the mower when it is in use.
	Class II Construction	Double-insulated Construction.
IPX4	IP Symbol	Protection against ingress of water degree 4
V	Volt	Voltage
A	Amperes	Current
Hz	Hertz	Frequency (cycles per second)
W	Watt	Power

min	Minutes	Time
	Alternating Current	Type of current
	Direct Current	Type or a characteristic of current
n_0	No Load Speed	Rotational speed, at no load
... /min	Per Minute	Revolutions per minute

- Thoroughly inspect the area where the appliance is to be used and remove all stones, sticks, wires, bones, and other foreign objects.
- Before using, always visually inspect to see that the blades, blade bolts and cutter assembly are not worn or damaged. Replace worn or damaged blades and bolts in sets to preserve balance. Replace damaged or unreadable labels.

OPERATION

- Mow only in daylight or in good artificial light.
- Avoid operating the appliance in wet grass, where feasible.
- Always be sure of your footing on slopes.
- Walk, never run.
- For wheeled rotary mowers, mow across the face of slopes, never up and down.
- Exercise extreme caution when changing direction on slopes.
- Do not mow excessively steep slopes.
- Use extreme caution when reversing or pulling the appliance towards you.
- Stop the blade(s) if the appliance has to be tilted for transportation when crossing surfaces other than grass, and when transporting the appliance to and from the area to be mowed.
- Never operate the appliance with defective guards or shields, or without safety devices, for example deflectors and/or grass catchers, in place.
- Switch on the motor according to instructions and with feet well away from the blade(s).
- Do not tilt the appliance when switching on the motor, except if the appliance has to be tilted for starting. In this case, do not tilt it more than absolutely necessary and lift only the part which is away from the operator. Always ensure that both hands are in the operating position before returning the appliance to the ground.
- Do not start the machine when standing in front of the discharge opening.
- Do not put hands or feet near or under rotating parts. For rotary mowers, keep clear of the discharge opening at all times.
- Never pick up or carry an appliance while the motor is running.
- Switch off and remove detachable battery pack (or disabling device) and make sure that all moving parts have come to a complete stop before adjusting or cleaning:

SAFETY RULES FOR CORDLESS LAWN MOWER

⚠ DANGER: This machine was built to be operated according to the rules for safe operation included in this manual. As with any type of power equipment, carelessness or error on the part of the operator can result in serious injury. This machine is capable of injuring hands and feet and throwing objects. Failure to observe all safety instructions could result in serious injury or death.

⚠ WARNING: When using cordless lawn mowers, basic safety precautions should always be followed to reduce the risk of fire, electric shock, and personal injury.

IMPORTANT

READ CAREFULLY BEFORE USE. KEEP FOR FUTURE REFERENCE.

SAFETY RULES FOR CORDLESS LAWNMOWERS:

CAUTION-DO NOT TOUCH ROTATING BLADE!

TRAINING

- Read the instructions carefully. Be familiar with the controls and the proper use of the appliance.
- Never allow children or people unfamiliar with these instructions to use the appliance. Local regulations may restrict the age of the operator.
- Never mow while people, especially children, or pets are nearby.
- The operator or user is responsible for accidents or hazards occurring to other people or their property.

PREPARATION

- While mowing, always wear substantial footwear and long trousers.
- Do not operate the appliance when barefoot or wearing open sandals. Avoid wearing clothing that is loose fitting or that has hanging cords or ties.

- Whenever you leave the machine;
- Before clearing a blockage and unclogging chute;
- Before checking, cleaning or working on the appliance;
- After striking a foreign object. Inspect the appliance for damage and make repairs as necessary.
- If the appliance starts to vibrate abnormally (check immediately):
 - Inspect for damage;
 - Replace or repair any damaged parts;
 - Check for the tighten any loose parts.

MAINTENANCE AND STORAGE

- Be careful during adjustment of the machine to prevent entrapment of the fingers between moving blades and fixed parts of the appliance.
- Keep all nuts, bolts, and screws tight to be sure the appliance is in safe working condition.
- Check the grass catcher frequently for wear or deterioration.
- Replace worn or damaged parts for safety.
- Cleaning and user maintenance shall not be made by children without supervision.
- When servicing the blades be aware that, even though the power source is switched off, the blades can still be moved.
- For rotary mowers, ensure that only replacement cutting means of the right type are used.

PERSONAL SAFETY

Tragic accidents can occur if operator is not alert to the presence of children. Children are often attracted to the mower and mowing activity. They do not understand the dangers. Never assume that children will remain where you last saw them.

- Keep children out of the mowing area and under the watchful care of a responsible adult other than the operator.
- Be alert and turn the mower off if a child enters the area.
- Use extreme care when approaching blind corners, doorways, shrubs, trees, or other objects that may obscure your vision of a child who may run into the mower.
- Children should be supervised to ensure that they are not playing with the mower.
- Always turn the mower off when removing the battery pack from the tool. Stop the blade(s) if the appliance has to be tilted for transportation when crossing surfaces other than grass, and when transporting the appliance to and from the area to be mowed.

OPERATION

GENERAL OPERATION:

- Read this operator's manual carefully in its entirety before attempting to assemble this machine. Read, understand, and follow all instructions on the machine and in the manuals before operation. Be completely familiar with the controls and proper use of this machine before operating it. Keep this manual in a safe place for future and regular reference and for ordering replacement parts.
- Use the right appliance – Do not use the lawn mower for any job except that for which it is intended.
- Don't overreach – Keep proper footing and balance at all times.
- Objects struck by the lawn mower blade can cause severe injuries to persons. The lawn should always be carefully examined and cleared of all objects prior to each mowing.
- Before and while moving backwards, look behind and down for small children and other people.
- This machine is not a plaything. Therefore, exercise extreme caution at all times. Your unit has been designed to perform one job: to mow grass. Do not use it for any other purpose.
- Don't force the lawn mower – it will do the job better and more safely at the rate for which it was designed.
- Before using, always visually inspect to see that the blades, blade bolts and cutter assembly are not worn or damaged. Replace worn or damaged blades and bolts and any other components at the same time to preserve balance. Replace damaged or unreadable labels.
- Use extreme caution when reversing or pulling the appliance towards you.
- Thoroughly inspect the area where the equipment is to be used. Remove all stones, sticks, wire, toys and other foreign objects that could be tripped over or picked up and thrown by the blade. Thrown objects can cause serious personal injury. Plan your mowing pattern to avoid discharge of material toward roads, sidewalks, bystanders and the like. Also, avoid discharging material against walls or obstructions, which may cause discharged material to ricochet back toward the operator.
- To help avoid blade contact or an injury from thrown objects, stay in the operator zone behind the handles and keep children, bystanders, helpers and pets at least 30m from the mower while it is in operation. Stop the machine if anyone enters the area.
- Always wear safety glasses or safety goggles during operation and while performing an adjustment or repair

to protect your eyes. Thrown objects that ricochet can cause serious injury to the eyes. Always use a face or dust mask if the operation is dusty.

- Dress properly – Do not wear loose clothing or jewelry. They can be caught in moving parts. Use of rubber gloves and footwear is recommended when working outdoors. Wear sturdy, rough-soled work shoes and close-fitting trousers and shirts. Shirts and trousers that cover the arms and legs and steel-toed shoes are recommended. Never operate this machine in bare feet, sandals, slippery or lightweight (e.g., canvas) shoes.
- Do not put hands or feet near rotating parts or under the cutting deck. Contact with the blade can injure hands and feet.
- A missing or damaged discharge cover can cause blade contact or injuries from thrown objects.
- Many injuries occur as a result of the mower being pulled over the foot during a fall caused by slipping or tripping. Do not hold onto the mower if you are falling; release the handle immediately.
- Never pull the mower back toward you while you are walking. If you must back the mower away from a wall or obstruction first look down and behind to avoid tripping and then following these steps:
 - Step back from mower to fully extend your arms.
 - Be sure you are well balanced with sure footing.
 - Pull the mower back slowly, no more than half way toward you.
 - Repeat these steps as needed.
- Do not operate the mower while under the influence of alcohol or drugs.
- Never operate the appliance with defective guards or shields, or without safety devices, for example deflectors and/or grass catchers, in place.
- Stay alert – watch what you are doing. Use common sense. Do not operate the lawn mower when you are tired.
- The motor/blade control handle is a safety device. Never attempt to bypass its operation. Doing so makes the safety device inoperative and may result in personal injury through contact with the rotating blade. The motor/blade control handle must operate easily in both directions and automatically return to the disengaged position when released.
- Avoid dangerous environments – Don't use lawn mowers in damp or wet locations.
- Don't use in rain.
- Always be sure of your footing. A slip and fall can cause serious personal injury. If you feel you are losing your footing, release the motor/blade control handle

immediately and the blade will stop rotating within three seconds.

- Stop the blade when crossing gravel drives, walks or roads.
- If the equipment should start to vibrate abnormally, stop the motor and check immediately for the cause. Vibration is generally a warning of trouble.
 - Inspect for damage;
 - Replace or repair any user replaceable damaged parts;
 - Check for and tighten any loose parts.
- Never operate the mower without the proper trailing shield, discharge cover, grass bag, mulching insert, side discharge chute, motor/blade control handle or other safety protective devices in place and working. Never operate the mower with damaged safety devices. Failure to do so can result in personal injury.
- If situations occur that are not covered in this manual, use care and good judgment. Contact EGO Customer Service for assistance.
- Use only with the battery packs and chargers listed below:

BATTERY PACK	CHARGER
BA1120E, BA2240E, BA2800, BA3360, BA4200	CH5500E, CH2100E

- The battery pack must be removed from the appliance before it is scrapped.
- The battery shall be disposed of safely.

OPERATION ON A SLOPE:

Slopes are a major factor related to slip-and-fall accidents, which can result in severe injury. Always be sure of your footing on slopes. Operation on slopes requires extra caution. If you feel uneasy on a slope, do not mow it.

Do:

- Mow across the face of slopes; never mow up and down. Exercise extreme caution when changing direction on slopes.
- Watch for holes, ruts, rocks, hidden objects, or bumps which can cause you to slip or trip. Tall grass can hide obstacles.

Do not:

- Do not mow near drop-offs, ditches or embankments; you could lose your footing or balance.
- Do not mow slopes greater than 15 degrees.
- Do not mow on wet grass. Unstable footing could cause slipping.

SERVICE

⚠ WARNING: Grass bag components, the discharge cover, side discharge chute, mulching insert and trailing shield are subject to wear and damage, which could expose moving parts or allow objects to be thrown and could increase the risk of injury. For safety protection, frequently check all components and replace damaged components immediately with identical replacement parts, listed in this manual. Contact EGO Customer Service or your closest EGO service center, and repairs or replacements shall be performed by a qualified service technician!

If the mower's built-in overload protection switch frequently trips, contact EGO Customer Service or your closest EGO service center.



- Do not wash the mower with a hose; avoid getting water in the motor and electrical connections.
- Remove the key and store the idle lawn mower indoors when not in use. Allow the motor to cool before storing it in any enclosure. The lawn mower should be stored in a dry, high, or locked-up enclosure, out of reach of children.
- When servicing, use only identical replacement parts listed in this manual. Use of parts that do not meet the original equipment specifications may lead to improper performance and compromised safety.
- Remove or disconnect the battery pack before servicing, cleaning, or removing material from the lawn mower.
- Follow instructions for changing accessories.
- Keep handles dry, clean and free from oil and grease.
- To reduce a fire hazard, keep the motor cover free of grass, leaves and debris build-up.
- Check the blade and motor mounting bolts at frequent intervals for proper tightness. Also, visually inspect the blade for damage (e.g., bending, cracking and wear.). Replace the blade only with the identical replacement blade, listed in this manual.
- Maintain your mower with care – keep the mower blade sharp and clean for the best and safest performance. Mower blades are sharp and can cut. Wrap the blade or wear gloves and use extra caution when servicing it.
- Never remove or tamper with safety devices. Regularly check their proper operation. Never do anything to interfere with the intended function of a safety device or to reduce the protection provided by a safety device.
- Always stop the motor before making adjustments to a wheel or a cutting-height adjustment.

- After striking a foreign object, stop the motor, remove the key, and thoroughly inspect the mower for any damage. Repair the damage before operating the mower.
- Maintain or replace safety and instruction labels, as necessary. Contact EGO Customer Service or your closest EGO service center, and repairs or replacements shall be performed by a qualified service technician!
- **SAVE THESE INSTRUCTIONS.** Refer to them frequently and use them to instruct others who may use this tool. If you lend this tool to someone else, also lend these instructions to them to prevent misuse of the product and possibly injury.

BATTERY USE AND CARE

- To preserve natural resources, please recycle or dispose of batteries properly. This product contains lithium-ion batteries. Local or national laws prohibit disposal of lithium-ion batteries in ordinary rubbish. Consult your local waste authority for information regarding available recycling and/or disposal options.
- Upon removal of the battery pack for disposal or recycling, cover the battery pack's terminals with heavy-duty adhesive tape. Do not attempt to destroy or disassemble the battery pack or remove any of its components. Lithium-ion batteries, must be recycled or disposed of properly. Also, never touch the terminals with metal objects and/or body parts as a short circuit may result. Keep away from children. Failure to comply with these warnings could result in fire and/or serious injury.
- **UNDER ABUSIVE CONDITIONS, LIQUID MAY BE EJECTED FROM THE BATTERY; AVOID CONTACT. IF CONTACT ACCIDENTALLY OCCURS, FLUSH WITH WATER. IF LIQUID CONTACTS EYES, ADDITIONALLY SEEK MEDICAL HELP.** Liquid ejected from the battery may cause irritation or burns.

SPECIFICATIONS

Model Number	LM2120E	LM2120E-SP
Self Propel System	No	Yes
Voltage	56 V 	56 V 
No Load Speed	2800 /min	2800 /min
Cutting Height	28-94 mm	28-94 mm
Cutting Height Positions	6	6
Deck Size	53 cm	53 cm
Cutting Width	52 cm	52 cm

Grass Bag Volume	70 L	70 L
Mower Weight (without battery pack)	22.10 kg	24.55 kg
Blade Model	AB2101	AB2101
Measured sound power level L_{WA} $K=2$ dB(A)	89.9 dB(A)	89.5 dB(A)
Sound pressure level at operator's ear L_{TPA} $K=3$ dB(A)	87 dB(A)	87 dB(A)
Guaranteed sound power level L_{WA} (according to 2000/14/EC)	92 dB(A)	92 dB(A)
Vibration a_h $K=1.5$ m/s ²	Left Handle	≤ 2.5 m/s ²
	Right Handle	≤ 2.5 m/s ²
Blade Brake	YES	YES

- The declared vibration total value has been measured in accordance with a standard test method and may be used for comparing one tool with another;
- The declared vibration total value may also be used in a preliminary assessment of exposure.

NOTICE: The vibration emission during actual use of the power tool can differ from the declared value in which the tool is used; In order to protect the operator, user should wear gloves and ear protectors in the actual conditions of use.

PACKING LIST

PART NAME	QUANTITY
Lawn mower	1
Grass bag	1
Grass bag frame	1
Mulching insert	1
Safety key	2
Operator's manual	1

DESCRIPTION

KNOW YOUR MOWER (Fig. A & B & C)

- Safety Button
- Self-propel Trigger
- Handle-locking Clamp
- Rear Discharge Door
- Rear Handle
- Battery-pack Cover
- LED Headlights
- Front Handle
- Front Wheel
- Cutting-height Adjustment Lever
- Mower Deck
- Rear Wheel
- Grass Bag
- Quick-adjust Lever
- Side Rail
- Self-propel Speed-control Lever
- Bail Switch (Switch Lever)
- Handle
- Mulching Insert
- Support for Upright Storage
- Trailing Shield
- Switch Button for LED Headlights
- Power Indicator

OPERATION

ASSEMBLING THE GRASS BAG

- Slide the grass bag onto the frame (Fig. D).
- Assemble the top clips to the frame (Fig. E), then assemble the two side clips. Assemble the bottom clip last.
- The completely assembled grass bag is shown in Fig. F.

NOTICE: Under normal usage, bag material is subject to wear. To reduce the risk of injury, frequently inspect the bag assembly and replace if there are any signs of wear or deterioration. Use only grass bags manufactured for this mower.

ADJUSTING THE FOLDABLE HANDLE

⚠ WARNING: Do not attempt to start the mower until the handle has been locked at one of the three preset operating positions (UPPER OPERATING POSITION, MIDDLE OPERATING POSITION and LOWER OPERATING POSITION).

Your mower is shipped with the handle in the compact, LOCKED STORAGE POSITION (Fig. G).

- 1) Press and hold the quick-adjust lever to release the handle from the LOCKED STORAGE POSITION (Fig.H-1).
- 2) Lift the handle from its folded position, then release the lever. Gently pivot the handle upward until you hear and feel the lock pin engage in one of the following different positions as shown in the Fig. H.
 - GRASS BAG ATTACHMENT/REMOVAL POSITION (Fig. H-2)
 - UPPER OPERATING POSITION (Fig. H-3)
 - MIDDLE OPERATING POSITION (Fig. H-4)
 - LOWER OPERATING POSITION (Fig. H-5)

ATTACHING/REMOVING THE GRASS BAG/ MULCHING INSERT

⚠ WARNING: Do not at either time make any adjustment to the lawn mower without first stopping the motor, removing the safety key and waiting for the blade to stop rotating.

NOTICE: Attach any of the attachments to the lawn mower before mowing.

■ To Attach/Remove the Grass Bag (Fig. I)

NOTICE: Remove the pre-installed mulching insert from the mower before attaching the grass bag to the mower.

■ To Attach/Remove the Mulching Insert (Fig. J)

ADJUSTING THE CUTTING HEIGHT (Fig. K)

⚠ WARNING: Keep your feet away from the deck when adjusting its height. The mower can be set to 6 cutting heights between 28mm and 94mm. Choose the proper cutting height according to the types and conditions of the grass.

NOTICE: When moving the tool, make sure the cutting height is adjusted at the position of 3 or higher. Failure to do so, could result in the damage of the blade.

ATTACHING/DETACHING THE BATTERY PACK (Fig. L)

CHARGE BEFORE FIRST USE.

⚠ WARNING: If any parts are broken or missing, do not attempt to attach the battery pack to the mower or operate the mower until the broken or missing parts are replaced. Failure to do so could result in serious injury.

■ To Attach

Push the battery pack into the battery compartment until you hear a “click”.

■ To Detach

Depress the battery-release button in the battery compartment.

Fig. L parts description see below:

L-1	Safety Key Slot
L-2	Safety Key
L-3	Battery-release Button

NOTICE: Make sure that the latch on the mower snaps into place and that the battery pack is secured to the mower before starting operation.

STARTING/STOPPING THE MOWER

⚠ WARNING: The operation of any lawn mower can result in foreign objects being thrown into your or others’ eyes, which can damage eyes severely. Always wear safety glasses while operating the mower, or while performing any adjustments or repairs on it.

⚠ WARNING: Do not use the mower in the rain.

⚠ WARNING: Ensure that other people and pets remain at least 30m away from the mower when it is in use.

⚠ WARNING: The blade will continue to rotate for a few seconds after the mower is turned off. Allow the motor/blade to stop rotating before starting it again. Do not rapidly turn the mower off and on.

NOTICE: The motor cannot be started unless:

- The handle is locked into one of the three operating positions, see ADJUSTING THE FOLDABLE HANDLE.
- The side rails are fully extended (Fig. M).
- Both green handle-locking clamps are securely closed (Fig. N).

⚠ CAUTION: Do not attempt to override the operation of the safety button and bail switch.

To Start (Fig. P)

- 1) Attach the battery pack to the mower, insert the safety key into the key slot and close the battery cover (Fig. L).
- 2) According to Fig. O, depress the safety button down.
- 3) With the safety button depressed, pull the bail switch upward to meet the handle and release the safety button.

To Stop (Fig. Q)

- 1) Fully release the bail switch.
- 2) The electric brake in the Automatic Braking Mechanism will stop the blade rotation within 3 seconds of the bail switch release.

VARIABLE-SPEED SELF-PROPEL SYSTEM

LM2120E-SP mower is equipped with variable-speed self-propel capability. This system is independent of the blade On-Off switch; it is not dependent on blade rotation.

To operate the system without blade rotation, pull the self-propel trigger to the handle.

To turn the self propel off, release the self-propel trigger.

The system has variable speed. To increase the speed, move the self-propel speed-control lever forwards. To decrease the speed, move the self-propel speed-control lever backwards (Fig. R).

To operate with the blade rotating for cutting:

1. Start the mower.
2. While holding the bail switch against the handle with your left hand, pull the self-propel trigger to the handle with your right hand.
3. Hold both the bail switch and the self-propel trigger simultaneously against the handle with your right hand and use your left hand to adjust the self-propel speed-control lever to choose the desired speed.

NOTICE: During cutting, it may be easier to mow around an object, such as a tree or plants, with the self propel off.

⚠ WARNING: To reduce the risk of injury, never attempt to override the operation of the switch or self propel system. Use the self propel for its intended purpose only.

LED HEADLIGHTS (Fig. A-7)

Press the switch button (Fig. C-22) to turn on/off the LED headlights in the front of the battery compartment.

POWER INDICATOR ON THE MOWER (Fig. S)

The mower is equipped with a power indicator to indicate the charge status of the battery pack and the working status of the mower. The power indicator will illuminate when the blade is rotating or when the LED headlights are turned on.

Power Indicator on Mower	Meaning	Action
Shining green	Mower is working properly; battery has at least 15% of its charge	N/A
Shining red	Low battery	Stop the mower and charge the battery pack
Flashing red	The battery is nearly depleted	Stop the mower and charge the battery pack
Shining orange	The mower or the battery pack is overheated	Remove the battery from the mower, move them to the shade and cool them at least 15 minutes
Flashing orange	The mower is overloaded	Slow down your pace or raise up the cut height to decrease the load

MOWER OVERLOAD PROTECTION

To prevent overload conditions, do not try to remove too much grass at one time. Slow down your cutting pace or raise the cut height.

Your mower has built-in overload circuit protection. When the mower is overloaded, the motor will stop and the power indicator on the mower will flash orange. Remove the battery pack from the mower. Check to see if grass has collected beneath the deck and clear it if necessary, then install the battery and restart the mower.

BATTERY HIGH TEMPERATURE PROTECTION

The battery pack will generate heat during operation. The heat dissipates more slowly in hot weather. If the battery temperature exceeds 70°C during operation, the protection circuit will immediately turn off the mower to protect the battery pack from damage. The power indicator on the mower will shine orange and the LED on the battery will flash orange. Release the bail handle, wait until the battery pack cools down to approximately 67°C, then restart the mower.

MAINTENANCE

⚠ WARNING: To avoid serious personal injury, always remove the safety key from the mower before cleaning, performing any maintenance or transporting the mower.

⚠ WARNING: When servicing, use only identical replacement parts. Use of any other parts may create a hazard or cause product damage. To ensure safety and reliability, all repairs and replacements should be performed by a qualified service technician.

CLEANING THE MOWER

The underside of mower deck should be cleaned after each use, as grass clippings, leaves, dirt and other debris will accumulate.

Remove any build-up of grass and leaves on or around the drive shaft (only LM2120E-SP) and the motor fan (do not use water). Wipe the mower clean with a damp cloth.

REMOVING/INSTALLING THE BLADE

⚠ WARNING: Always protect your hands by wearing heavy gloves or wrapping the cutting edges with rags or other materials when performing any maintenance on the mower blade. Always remove the battery pack when servicing or transporting the mower.

■ To Remove the Blade

Following Fig. T.

NOTICE: If the bolt rotates with the motor shaft when loosening the bolt, turn the fan by hand to align the through holes in the fan with the holes in the blade, and place another metal rod into the aligned holes (Fig. U).

■ To Install the Blade

Following the assembly sequence in Fig. V, with the fan blade towards deck and the printed blade side towards outside, align the through holes in the fan with the holes in the blade (Fig. W) and then tighten the blade as Fig. X shown.

Fig. U & V parts description see below:

U-1	Stabilizer 1	V-2	Inner Flange
U-2	Stabilizer 2	V-3	Blade
U-3	14mm Wrench	V-4	Outer Flange
V-1	Fan	V-5	Bolt

NOTICE: The recommended torque for tightening the blade bolt is 49-59Nm.

STORING THE MOWER

- Remove the battery pack from the mower and store it in a cool, dry and clean location. Do not store it next to corrosive materials, such as fertilizer or rock salt.
- Store the mower in a covered, enclosed space, that is cool and dry and out of the reach of children.

- Do not cover the lawn mower with a solid plastic sheet. Plastic coverings trap moisture around the mower, which causes rust and corrosion.
- The mower can be stored upright or flat. (Fig. Y).

⚠ WARNING: If the mower begins to tip over from the upright position, mower damage or personal injury may result. Always keep the mower stable and out of the reach of children when it is in the upright position. If possible, lay it flat for storage.

Protecting the environment



Do not dispose of electrical equipment, battery charger and batteries/rechargeable batteries into household waste!

According to the European law 2012/19/EU, electrical and electronic equipment that is no longer usable, and according to the European law 2006/66/EC, defective or used battery packs/batteries, must be collected separately.

If electrical appliances are disposed of in landfills or dumps, hazardous substances can leak into the groundwater and get into the food chain, damaging your health and well-being.

EC DECLARATION OF CONFORMITY EN

We, EGO EUROPE GMBH

Wahlwiesenstrasse 1, D-71711 Steinheim an der Murr
Deutschland

Declare that the product **56V lithium-ion cordless mower LM2120E/LM2120E-SP** complies with the essential health and safety requirements of the following Directives: 2006/42/EC, 2014/30/EU, 2011/65/EU, 2000/14/EC

Standards and technical specifications referred to:

EN 60335-1, EN 60335-2-77, EN 62233, EN 55014-1, EN 55014-2

	LM2120E	LM2120E-SP
Measured Sound Power Level:	89.9 dB(A)	89.5 dB(A)
Guaranteed Sound Power Level:	92 dB(A)	92 dB(A)

Conformity assessment procedure of Annex VI is followed according 2000/14/EC.

Notified Body: Société Nationale de Certification et d'Homologation

Notified Body number : 0499

KEES VAN DER SPEK
TUINMACHINES * STROOIJK

Peter Melrose
Managing Director of EGO
Europe GmbH

Dong Jianxun
Quality Manager of Chervon

* (Authorized representative for CHERVON and responsible for technical documentation)

01/09/2016

⚠ WARNING: Always remove the safety key and battery pack when servicing or transporting the mower. Always protect your hands by wearing heavy gloves or wrapping the cutting edges with rags or other materials when performing any maintenance on the mower blade.

PROBLEM	CAUSE	SOLUTION
The mower fails to start	<ul style="list-style-type: none"> ■ The battery pack is depleted. ■ The battery pack is not mounted in place in the battery compartment. ■ The battery or mower circuitry is too hot. (The power indicator on the mower will illuminate in orange for 10 seconds) ■ The side rails are not extended to their maximum length and the clamps are not locked in position. ■ The handle is not set at one of the three operating positions. ■ The mower deck is clogged with grass and debris. 	<ul style="list-style-type: none"> ■ Charge the battery pack. ■ Attach the battery pack to the mower; press it until you hear a click ■ Allow the battery pack or mower to cool until the temperature drops below 67°C. ■ Fully extend the handle and lock both clamps. ■ Adjust the handle to one of the three operating positions. ■ Clean the mower deck and make certain that the blade has freedom of movement.
The mower cuts unevenly	<ul style="list-style-type: none"> ■ The blade is dull. ■ The cutting height is not set properly. ■ The blade is assembled incorrectly. 	<ul style="list-style-type: none"> ■ Sharpen or replace the blade. ■ Raise the deck to a higher cutting height setting. ■ Reassemble the blade, following the section "INSTALLING THE BLADE" in this manual.
The mower stops while mowing	<ul style="list-style-type: none"> ■ The battery pack is depleted. ■ Mower is in overload condition. ■ Mower deck is clogged with grass and debris. ■ The battery or mower circuitry is too hot. (The power indicator on the mower will illuminate orange for 10 seconds.) ■ The side rail is retracted a little by the pushing force applying on the handle. 	<ul style="list-style-type: none"> ■ Charge the battery pack. ■ Raise the cutting height or slow down the mowing. ■ Unclog the mower deck. Raise the cutting height, or cut a narrow swath. ■ Allow the battery pack or mower to cool until the temperature drops below 67°C. ■ Unlock the clamps. Fully extend the side rails and lock the clamps again.

PROBLEM	CAUSE	SOLUTION
The mower does not mulch properly	<ul style="list-style-type: none"> ■ Wet grass clippings are sticking to the underside of the deck. ■ The mower is set to cut too much grass at once. 	<ul style="list-style-type: none"> ■ Wait until the grass dries before mowing. ■ Raise the deck to a higher cutting height setting.
There is excessive vibration	<ul style="list-style-type: none"> ■ The cutting blade is loose. ■ The cutting blade is unbalanced. ■ The cutting blade is bent. ■ The motor shaft is bent. 	<ul style="list-style-type: none"> ■ Tighten the blade bolt. ■ Balance the blade following the instructions. ■ Replace the blade. ■ Contact the service center.
The handle locking clamps cannot be closed in position.	<ul style="list-style-type: none"> ■ The side rails are not fully extended. 	<ul style="list-style-type: none"> ■ Fully extend the side rails, then lock the clamps.

WARRANTY

EGO WARRANTY POLICY

Please visit the website egopowerplus.com for full terms and conditions of the EGO Warranty policy.

KEES VAN DER SPEK
TUINMACHINES * STOLWIJK

LESEN SIE ALLE ANWEISUNGEN!

DE



LESEN SIE DIE BEDIENUNGS- ANLEITUNG DURCH.

⚠️ Restrisiko! Menschen mit elektronischen Geräten, wie z.B. Herzschrittmachern, sollten ihren Arzt konsultieren, bevor sie dieses Gerät verwenden. Die Bedienung von Elektrogeräten in unmittelbarer Nähe zu Herzschrittmachern kann zu Interferenzen und Störungen des Schrittmachers führen.

⚠️ WARNUNG: Um die Sicherheit und Zuverlässigkeit zu gewährleisten, sollten alle Reparaturen und der Austausch von Teilen nur von qualifizierten Servicetechnikern durchgeführt werden.

Bestimmungsgemäße Verwendung &

Zweckentfremdung: Das Gerät ist nur für das Mähen von Gras in Privatgärten vorgesehen. Es darf nicht zum Mähen von ungewöhnlich hohem, trockenem oder feuchtem Gras wie beispielsweise Weidegras oder zum Zerkleinern von Blättern eingesetzt werden. Das Gerät darf nur für den dafür vorgesehenen Zweck eingesetzt werden. Jeder andere Geräteeinsatz gilt als Zweckentfremdung.

WARNSYMBOLE

Der Zweck von Warnsymbolen besteht darin, Ihre Aufmerksamkeit auf mögliche Gefahren zu lenken. Die Warnsymbole und deren Erklärungen verdienen Ihre vollste Aufmerksamkeit und Beachtung. Durch die Warnsymbole allein sind die Gefahren noch nicht ausgeschaltet. Die Anweisungen und Warnhinweise stellen keinen Ersatz für angemessene Unfallverhütungsmaßnahmen dar.

⚠️ WARNUNG: Vor der Benutzung des Geräts sollten alle Sicherheitsanweisungen in dieser Bedienungsanleitung gelesen und bekannt sein. Das gilt auch für sämtliche Warnhinweise, die mit den Vermerken „GEFAHR“, „WARNUNG“ und „VORSICHT“ gekennzeichnet sind. Die Nichtbeachtung sämtlicher Anweisungen kann zu Stromschlägen, Feuer und/oder schweren Verletzungen führen.

SYMBOLBEDEUTUNG

SICHERHEITSWARNSYMBOL: Steht für **GEFAHR**, **WARNUNG**, oder **VORSICHT**. Kann zusammen mit anderen Symbolen oder Bildern verwendet werden.

⚠️ WARNUNG: Die Bedienung von Elektrogeräten kann dazu führen, dass Fremdkörper in Ihre Augen geschleudert werden und Sie dadurch schwerwiegende Augenschäden davontragen. Tragen Sie immer eine Schutzbrille, wenn möglich mit Seitenschutz, oder, falls nötig, einen vollen Gesichtsschutz, bevor Sie Arbeiten mit dem Elektrowerkzeug verrichten. Wir empfehlen Ihnen, einen Gesichtsschutz über Ihrer eigenen Brille oder eine herkömmliche Schutzbrille mit Seitenschutz zu tragen.

SICHERHEITSHINWEISE

Auf dieser Seite werden die Warnsymbole vorgestellt und beschrieben, die sich unter Umständen an dem Gerät befinden. Vor dem Zusammenbau und der Inbetriebnahme müssen sämtliche Anweisungen am Gerät gelesen und genau befolgt werden.

	Sicherheitswarnung	Vorsichtsmaßnahmen zu Ihrer Sicherheit
	Augenschutz tragen	Tragen Sie immer eine Schutzbrille, möglichst mit Seitenschutz, und einen Gesichtsschutz, wenn Sie das Gerät bedienen.
	Bedienungsanleitung lesen	Um das Verletzungsrisiko zu verringern, muss der Benutzer die Bedienungsanleitung vor der Benutzung des Gerätes gelesen und verstanden haben.
	Vorsicht - scharfe Messer	Die Messer rotieren nach dem Ausschalten des Motors weiter. Vor Wartungsarbeiten muss die Deaktivierungsvorrichtung entfernt werden. Schalten Sie das Gerät aus und nehmen Sie den abnehmbaren Akku (oder die Deaktivierungsvorrichtung) ab, bevor Sie Einstellungen vornehmen oder das Gerät reinigen.

	Unbefugte Personen fernhalten	Stellen Sie sicher, dass andere Personen und Haustiere mindestens 30m vom Rasenmäher entfernt sind, wenn er in Betrieb ist.
	Schutzklasse II	Doppelt isolierte Konstruktion
IPX4	IP-Symbol	Grad-4-Schutz gegen das Eindringen von Wasser
V	Volt	Spannung
A	Ampere	Strom
Hz	Hertz	Frequenz
W	Watt	Leistung
min	Minuten	Zeit
	Wechselstrom	Stromzufuhr
	Gleichstrom	Art oder Eigenschaft der Stromzufuhr
n_0	Leerlaufdrehzahl	Drehzahl im Leerlauf
... /min	pro Minute	Umdrehungen pro Minute

beachtet werden, um Verletzungs-, Brand- und Stromschlaggefahren einzudämmen.

WICHTIG!

VOR DER BENUTZUNG SORGFÄLTIG LESEN. ZUM SPÄTEREN NACHSCHLAGEN AUFBEWAHREN.

SICHERHEITSGESAMT FÜR AKKU-RASENMÄHER:

VORSICHT - ROTIERENDE MESSER NICHT BERÜHREN!

SCHULUNG

- Lesen Sie die Anweisungen aufmerksam. Machen Sie sich mit den Bedienelementen und der richtigen Handhabung des Gerätes vertraut.
- Allen Personen, denen die vorliegenden Anweisungen nicht bekannt sind, muss die Nutzung des Geräts untersagt werden. Für das Mindestalter des Benutzers gelten möglicherweise örtliche Vorschriften.
- Setzen Sie den Mäher nicht in Betrieb, solange sich noch Personen, insbesondere Kinder oder Haustiere in der Nähe aufhalten.
- Für Unfälle, Personen- oder Sachschäden Dritter ist der Bediener oder Nutzer des Geräts verantwortlich.

VORBEREITUNG

- Tragen Sie beim Mähen immer festes Schuhwerk und lange Hosen.
- Setzen Sie das Gerät nicht in Betrieb, wenn Sie barfuß sind oder offene Sandalen tragen. Lockere sitzende Kleidung oder Kleidungsstücke mit herabhängenden Kordeln oder Bändern sind zu vermeiden.
- Untersuchen Sie gründlich den Bereich, in dem Sie das Gerät einsetzen möchten, und entfernen Sie alle Steine, Stöcke, Drähte, Knochen und andere Fremdkörper.
- Führen Sie vor der Benutzung immer eine Sichtprüfung durch, um sicherzustellen, ob die Messer, Messerschrauben und Schneidvorrichtung nicht abgenutzt oder beschädigt sind. Tauschen Sie abgenutzte oder beschädigte Messer und Schrauben immer komplett im Satz aus, um die Auswuchtung beizubehalten. Wechseln Sie beschädigte oder unleserliche Etiketten aus.

SICHERHEITSGESAMT FÜR DEN AKKU-RASENMÄHER

⚠ VORSICHT: Dieses Gerät wurde dazu konstruiert, um so bedient zu werden, wie es in den Regeln für einen sicheren Betrieb in dieser Bedienungsanleitung beschrieben wird. Wie bei jedem anderen Elektrogerätetyp kann Fahrlässigkeit oder ein Fehler vonseiten des Benutzers zu schweren Verletzungen führen. Dieses Gerät kann Hände und Füße verletzen und Gegenstände umherschleudern. Wenn nicht alle Sicherheitshinweise beachtet werden, können schwere oder tödliche Verletzungen verursacht werden.

WARNUNG: Beim Gebrauch von Akku-Rasenmähern sollten stets grundlegende Sicherheitsvorkehrungen

BEDIENUNG

- Mähen Sie nur bei Tageslicht oder unter gutem künstlichen Licht.
- Benutzen Sie das Gerät nicht bei nassem Gras, sofern dies möglich ist.
- Achten Sie an Hängen immer auf einen festen Stand.
- Nur gehen, niemals rennen.
- Mähen Sie bei einem Sichelmäher mit Rädern immer quer zum Hang und niemals auf- und abwärts.

- Seien Sie besonders vorsichtig, wenn Sie an Hängen die Richtung ändern.
- Mähen Sie keine extrem steilen Hänge.
- Seien Sie besonders vorsichtig, wenn Sie rückwärts mähen oder das Gerät zu sich heran ziehen.
- Halten Sie das (die) Messer an, wenn das Gerät zum Transport bei der Überquerung von anderen Flächen als Rasen gekippt werden muss und wenn Sie das Gerät von und zum Bereich, der gemäht werden soll, transportieren.
- Verwenden Sie das Gerät niemals mit defekten Abdeckungen und Schutzvorrichtungen oder ohne Sicherheitsvorrichtungen, wie z.B. ohne Ablenklebche und/oder Grasfangvorrichtung.
- Schalten Sie den Motor gemäß Anweisungen ein und halten Sie Ihre Füße von dem (den) Messer(n) fern.
- Kippen Sie das Gerät beim Einschalten des Motors nicht; es sei denn, das Gerät muss zum Starten gekippt werden. In diesem Fall kippen Sie es nur so weit, wie es unbedingt erforderlich ist, und heben Sie nur die vom Benutzer abgewandte Seite hoch. Stellen Sie stets sicher, dass beide Hände in Bedienposition sind, bevor Sie das Gerät zurück auf den Boden stellen.
- Schalten Sie das Gerät nicht ein, wenn Sie vor der Auswurföffnung stehen.
- Reichen Sie mit den Händen oder Füßen nicht in die Nähe oder unter die rotierenden Teile. Halten Sie sich bei Sichelmähern immer von der Auswurföffnung fern.
- Tragen oder heben Sie das Gerät niemals an, während der Motor läuft.
- Schalten Sie das Gerät aus und nehmen Sie den Akku (bzw. die Deaktivierungsvorrichtung) ab und stellen Sie sicher, dass alle beweglichen Teile komplett zum Stillstand gekommen sind, bevor Sie das Gerät einstellen oder reinigen:
- Beim Zurückklassen des Geräts
- Vor dem Beseitigen von Blockaden und dem Freimachen des Auswurfs;
- Vor dem Prüfen, Reinigen oder Arbeiten am Gerät
- Nach einem Zusammenstoß mit einem Fremdkörper Untersuchen Sie das Gerät auf Beschädigungen und führen Sie die notwendigen Reparaturen aus.
- Wenn das Gerät ungewöhnlich stark zu vibrieren beginnt (sofort überprüfen)
- Auf Schäden prüfen
- Beschädigte Teile ersetzen oder reparieren
- Gelockerte Teile wieder festziehen

WARTUNG UND LAGERUNG

- Seien Sie vorsichtig, wenn Sie Einstellungen an dem Gerät vornehmen. Es besteht die Gefahr, dass Sie sich die Finger zwischen den beweglichen Messern und den festen Teilen des Gerätes einklemmen.
- Achten Sie darauf, dass alle Schrauben, Muttern und Bolzen fest angezogen sind. Nur kann für eine entsprechende Gerätesicherheit gesorgt werden.
- Überprüfen Sie die Grasfangvorrichtung regelmäßig auf Verschleiß oder Abnutzung.
- Wechseln Sie abgenutzte oder beschädigte Teile aus Sicherheitsgründen aus.
- Reinigung und Pflege dürfen von Kindern nicht ohne Aufsicht vorgenommen werden.
- Denken Sie bei der Wartung der Messer daran, dass sich diese immer noch bewegen, auch wenn die Energiequelle ausgeschaltet wurde.
- Stellen Sie bei Sichelrasenmähern sicher, dass nur Ersatz-Schneidvorrichtungen vom korrekten Typ verwendet werden.

PERSONENSICHERHEIT

Tragische Unfälle können sich ereignen, wenn der Benutzer nicht auf die Gegenwart von Kindern achtet. Kinder fühlen sich von Rasenmähern und von den Mäharbeiten häufig angezogen. Sie sind sich der Gefahren nicht bewusst. Gehen Sie niemals davon aus, dass Kinder dort bleiben, wo Sie sie zuletzt gesehen haben.

- Halten Sie Kinder vom Mähbereich fern. Sie sollten von einem anderen verantwortlichen Erwachsenen als dem Benutzer beaufsichtigt werden.
- Seien Sie wachsam und schalten Sie den Rasenmäher aus, wenn sich ein Kind dem Bereich nähert.
- Lassen Sie besondere Vorsicht walten, wenn Sie sich unübersichtlichen Ecken, Eingängen, Büschen, Bäumen oder anderen Objekten nähern, die Ihnen die Sicht auf ein Kind versperren könnten. Es besteht Gefahr, dass das Kind in den Rasenmäher läuft.
- Kinder sollten beaufsichtigt werden, um sicherzustellen, dass sie nicht mit dem Rasenmäher spielen.
- Schalten Sie den Rasenmäher immer aus, wenn Sie den Akku aus dem Gerät entfernen. Halten Sie das (die) Messer an, wenn das Gerät zum Transport bei der Überquerung von anderen Flächen als Rasen gekippt werden muss und wenn Sie das Gerät von und zum Mähbereich transportieren.

BEDIENUNG

ALLGEMEINE BEDIENUNG:

- Lesen Sie die Bedienungsanleitung vor der Montage des Geräts sorgfältig und vollständig durch. Vor der Inbetriebnahme müssen sämtliche Anweisungen am Gerät und in der Bedienungsanleitung gelesen und genau befolgt werden. Machen Sie sich umfassend mit den Bedienelementen und dem sachgemäßen Gebrauch dieses Gerätes vertraut, bevor Sie es benutzen. Bewahren Sie diese Bedienungsanleitung an einem sicheren Ort für späteres und regelmäßiges Nachlesen und die Bestellung von Ersatzteilen auf.
- Verwenden Sie das richtige Gerät – Verwenden Sie den Rasenmäher zu keinem anderen Zweck als den, für den er vorgesehen ist.
- Nicht zu weit nach vorn strecken – achten Sie stets auf einen festen Stand und halten Sie das Gleichgewicht.
- Gegenstände, die vom Messer des Rasenmähers getroffen werden, können schwere Verletzungen hervorrufen. Der Rasen sollte vor jedem Mähen stets sorgfältig untersucht und von allen Fremdgegenständen befreit werden.
- Vor und beim Zurücksetzen immer nach hinten und nach unten schauen, ob sich dort kleine Kinder und andere Personen aufhalten.
- Dieses Gerät ist kein Spielzeug. Seien Sie deshalb immer extrem vorsichtig. Das Gerät ist ausschließlich für das Mähen von Gras vorgesehen. Verwenden Sie es zu keinem anderen Zweck.
- Üben Sie keinen Druck auf den Rasenmäher aus - er lässt sich für die Arbeiten besser und sicherer in dem jeweils vorgesehenen Tempo einsetzen.
- Führen Sie vor der Benutzung immer eine Sichtprüfung durch, um sicherzustellen, ob die Messer, Messerschrauben und Schneidvorrichtung nicht abgenutzt oder beschädigt sind. Tauschen Sie abgenutzte oder beschädigte Messer und Schrauben immer komplett im Satz aus, um die Auswuchtung beizubehalten. Wechseln Sie beschädigte oder unleserliche Etiketten aus.
- Seien Sie besonders vorsichtig, wenn Sie rückwärts mähen oder das Gerät zu sich heran ziehen.
- Untersuchen Sie den Bereich gründlich, in dem das Gerät eingesetzt werden soll. Entfernen Sie alle Steine, Stöcke, Kabel, Spielzeuge und andere Fremdkörper, über die man stolpern kann oder die vom Gerät aufgenommen und vom Messer weggeschleudert werden können. Umhergeschleuderte Objekte können schwere Verletzungen verursachen. Planen Sie Ihr Mähschema, um zu vermeiden, dass das Schnittgut auf Straßen, Fußgängerwege, Passanten und andere verteilt wird. Vermeiden Sie zudem, Schnittgut gegen Wände oder Hindernisse auszuwerfen, da ausgeworfenes Material abprallen und auf den Benutzer zurück geschleudert werden kann.
- Um eine Berührung mit dem Messer oder Verletzungen durch herausgeschleuderte Objekte zu vermeiden, bleiben Sie in der Bedienzzone hinter dem Lenkholm und halten Sie Kinder, Passanten und Haustiere mindestens 30m vom Rasenmäher fern, solange er in Betrieb ist. Halten Sie das Gerät an, wenn jemand den Bereich betritt.
- Tragen Sie beim Betrieb, Einstellen oder Reparieren des Geräts immer eine Schutzbrille, um Ihre Augen zu schützen. Herausgeschleuderte und zurückprallende Gegenstände können schwere Verletzungen an den Augen verursachen. Tragen Sie eine Gesichts- oder Staubschutzmaske, wenn die Staubbelastung bei der Arbeit groß ist.
- Tragen Sie geeignete Kleidung – Tragen Sie keine weite Kleidung oder Schmuck. Es besteht Gefahr, dass sie sich in den beweglichen Teilen verfangt. Bei Arbeiten im Freien werden Gummihandschuhe und festes Schuhwerk empfohlen. Tragen Sie robuste Arbeitsschuhe mit einer groben Sohle und eng sitzende Hosen und Hemden. Es werden Hemden und Hosen empfohlen, die Arme und Beine bedecken, und Schuhe mit Stahlkappen. Benutzen Sie dieses Gerät niemals barfuß, in Sandalen, rutschigen oder leichten Schuhen (z. B. aus Stoff).
- Reichen Sie mit den Händen oder Füßen nicht in die Nähe rotierender Teile oder unter das Mähwerk. Die Berührung des Messers kann zu Verletzungen an Händen und Füßen führen.
- Bei einer fehlenden oder beschädigten Auswurfabdeckung besteht die Gefahr, dass die Messer berührt werden oder Verletzungen durch herausgeschleuderte Gegenstände entstehen.
- Viele Verletzungen werden verursacht, weil der Rasenmäher durch einen Sturz beim Ausrutschen oder Stolpern über den Fuß gezogen wird. Halten Sie den Rasenmäher nicht fest, wenn Sie stürzen; lassen Sie den Lenkholm sofort los.
- Ziehen Sie den Rasenmäher niemals rückwärts in Ihre Richtung, während Sie gehen. Wenn Sie den Rasenmäher rückwärts von einer Wand oder einem Hindernis bewegen müssen, blicken Sie erst nach unten und nach hinten, um zu vermeiden, dass Sie stolpern, und folgen Sie dann diesen Schritten:
 - Entfernen Sie sich einen Schritt vom Rasenmäher, um Ihre Arme ganz ausstrecken zu können.
 - Achten Sie darauf, dass Sie problemlos das Gleichgewicht halten können und einen festen Stand haben.
 - Ziehen Sie den Rasenmäher langsam rückwärts, nicht weiter als die halbe Entfernung in Ihre Richtung.
 - Wiederholen Sie diese Schritte bei Bedarf.

- Benutzen Sie den Rasenmäher nicht, wenn Sie unter dem Einfluss von Alkohol oder Drogen stehen.
- Verwenden Sie das Gerät niemals mit defekten Abdeckungen und Schutzvorrichtungen oder ohne Sicherheitsvorrichtungen, wie z.B. ohne Ablenkbleche und/oder Grasfangvorrichtung.
- Bleiben Sie wachsam – Achten Sie auf das, was Sie tun. Seien Sie vernünftig. Benutzen Sie den Rasenmäher nicht, wenn Sie müde sind.
- Der Motor-/Messerkupplungshebel ist eine Sicherheitsvorrichtung. Versuchen Sie niemals seine Funktion zu umgehen. Dadurch wird die Sicherheitsvorrichtung funktionsunfähig, was zu Verletzungen durch den Kontakt mit dem rotierenden Messer führen kann. Der Motor-/Messerkupplungshebel muss sich leicht in beide Richtungen bedienen lassen und automatisch in die ausgerückte Stellung zurückkehren, wenn er losgelassen wird. Vermeiden Sie gefährliche Umgebungen – Benutzen Sie den Rasenmäher nicht an feuchten oder nassen Stellen.
- Benutzen Sie das Gerät nicht im Regen.
- Achten Sie stets auf einen festen Stand. Ausrutschen und Stürzen kann zu schweren Verletzungen führen. Wenn Sie das Gefühl haben, dass Sie den Halt verlieren, lassen Sie den Motor-/Messerkupplungshebel sofort los. Innerhalb von drei Sekunden kommt das Messer dann zum Stillstand.
- Halten Sie das Messer an, wenn Sie Schotterereinfahrten, -wege oder -straßen überqueren.
- Falls das Gerät ungewöhnlich zu vibrieren beginnt, schalten Sie den Motor aus und suchen Sie sofort nach der Ursache. Vibrationen weisen im Allgemeinen auf Probleme hin.
 - Auf Schäden prüfen
 - Beschädigte und vom Benutzer austauschbare Teile ersetzen oder reparieren
 - Gelockerte Teile wieder festziehen
- Wenn die zugehörige hintere Schutzverkleidung, die Auswurfabdeckung, der Grasfangsack, Mulcheinsatz, der Seitenauswurf, der Motor-/Messerkupplungshebel oder die anderen Schutzvorrichtungen nicht montiert und in betriebsfähigem Zustand sind, darf der Rasenmäher nicht in Betrieb gesetzt werden. Benutzen Sie den Rasenmäher niemals mit beschädigten Schutzvorrichtungen. Andernfalls kann es zu schweren Verletzungen kommen.
- Falls Situationen auftreten, die nicht in dieser Bedienungsanleitung behandelt werden, gehen Sie vorsichtig und vernünftig vor. Der EGO-Kundendienst hilft Ihnen gern weiter.
- Nur die nachstehenden Akkus und Ladegeräte verwenden:

AKKU	LADEGERÄT
BA1120E, BA2240E, BA2800, BA3360, BA4200	CH5500E, CH2100E

- Vor dem Entsorgen muss der Akku aus dem Gerät entfernt werden.
- Der Akku muss sicher entsorgt werden.

BENUTZUNG AN EINEM HANG:

Hänge sind eine der Hauptursachen bei Unfällen durch Ausrutschen und Stürzen, die zu schweren Verletzungen führen können. Achten Sie an Hängen immer auf einen festen Stand. Rasenmähen an Hängen erfordert besondere Vorsicht. Wenn Sie ein ungutes Gefühl an einem Hang haben, mähen Sie ihn nicht.

Richtig:

- Mähen Sie quer zu Hängen; mähen Sie niemals den Hang auf- und abwärts. Seien Sie besonders vorsichtig, wenn Sie an Hängen die Richtung ändern.
- Achten Sie auf Löcher, Furchen, Steine, verdeckte Gegenstände oder Bodenwellen, die Sie zum Ausrutschen oder Stürzen bringen können. Hindernisse können von hohem Gras verdeckt werden.

Falsch:

- Mähen Sie nicht in der Nähe eines Abhangs oder Ufers; Sie könnten dabei den Halt oder das Gleichgewicht verlieren.
- Hänge mit mehr als 15 Grad dürfen nicht gemäht werden.
- Mähen Sie kein nasses Gras. Ein unsicherer Stand kann zum Ausrutschen führen.

WARTUNG

⚠️ WARNUNG: Bestandteile des Grasfangsacks, die Auswurfabdeckung, der Seitenauswurf, der Mulcheinsatz und die hintere Schutzverkleidung können sich abnutzen und beschädigt werden. Dadurch liegen bewegliche Teile dann frei oder es besteht die Möglichkeit, dass Gegenstände umhergeschleudert werden, sodass erhöhte Verletzungsgefahr besteht. Prüfen Sie sicherheitshalber alle Geräteteile regelmäßig und ersetzen Sie beschädigte Teile sofort durch identische Ersatzteile, die in dieser Bedienungsanleitung aufgeführt werden. Wenden Sie sich an den EGO-Kundendienst oder das nächstgelegene EGO-Servicezentrum. Reparaturen oder das Austauschen von Bestandteilen sollten Sie einem qualifizierten Servicetechniker überlassen!

- Wenn der eingebaute Überlastungsschutz des Rasenmähers ständig ausgelöst wird, wenden Sie sich an den EGO-Kundendienst oder das nächstgelegene EGO-Servicezentrum.
- Waschen Sie den Rasenmäher nicht mit dem Wasserschlauch; lassen Sie kein Wasser in den Motor und die elektrischen Verbindungen gelangen.
- Entfernen Sie den Schlüssel und lagern Sie den ausgeschalteten Rasenmäher im Gebäude, wenn er nicht benutzt wird. Lassen Sie den Motor abkühlen, bevor Sie das Gerät in einem geschlossenen Raum lagern. Der Rasenmäher sollte an einem trockenen, hoch gelegenen Platz oder in einem abgeschlossenen Raum außer Reichweite von Kindern aufbewahrt werden.
- Bei Reparaturen dürfen nur identische Ersatzteile, die in dieser Bedienungsanleitung aufgeführt sind, verwendet werden. Bei der Verwendung von Teilen, die von den technischen Daten des Originalgeräts abweichen, ist mit fehlerhafter Leistung und mangelnder Sicherheit zu rechnen.
- Entfernen oder trennen Sie den Akku, bevor Sie den Rasenmäher reparieren, reinigen oder Schnittgut aus dem Rasenmäher entfernen.
- Befolgen Sie die Anweisungen und Wechseln des Zubehörs.
- Halten Sie die Griffe/Holme trocken, sauber und frei von Öl und Fett.
- Um die Gefahr eines Brandes zu reduzieren, halten Sie die Motorabdeckung frei von Gras, Blättern und Ablagerungen.
- Prüfen Sie regelmäßig, ob die Schrauben des Messers und des Motors fest angezogen sind. Prüfen Sie das Messer auf Schäden (z. B. verbogene Stellen, Risse und Abnutzung). Ersetzen Sie das Messer nur durch ein identisches Ersatzmesser, das in dieser Bedienungsanleitung aufgeführt ist.
- Warten Sie Ihren Rasenmäher sorgfältig – Halten Sie das Rasenmähermesser scharf und sauber, um die beste und sicherste Leistung zu gewährleisten. Rasenmähermesser sind scharf und können tiefe Schnitte verursachen. Umwickeln Sie das Messer oder benutzen Sie Handschuhe und seien Sie bei der Wartung besonders vorsichtig.
- Manipulieren oder entfernen Sie niemals die Schutzvorrichtungen. Prüfen Sie regelmäßig, ob sie ordnungsgemäß funktionieren. Die bestimmungsgemäße Funktion bzw. die schützende Wirkung einer Schutzvorrichtung darf auf keinerlei Weise beeinträchtigt oder gehemmt werden.
- Halten Sie den Motor immer an, bevor Sie Einstellungen an einem Rad vornehmen oder die Schnitthöhe ändern.
- Wenn Sie einen Fremdkörper getroffen haben, halten Sie den Motor an, entfernen Sie den Schlüssel und untersuchen Sie den Rasenmäher gründlich auf Beschädigungen. Reparieren Sie den Schaden, bevor Sie den Rasenmäher wieder einsetzen.
- Warn- und Bedienungsaufkleber am Gerät müssen gepflegt oder ggf. ersetzt werden. Wenden Sie sich an den EGO-Kundendienst oder das nächstgelegene EGO-Servicezentrum. Reparaturen oder das Austauschen von Bestandteilen sollten Sie einem qualifizierten Servicetechniker überlassen!
- **HEBEN SIE DIESE ANLEITUNG AUF.** Schlagen Sie gegebenenfalls darin nach und verwenden Sie sie, um Andere in die Verwendung des Gerätes einzuweisen. Falls Sie dieses Werkzeug an Andere verleihen, händigen Sie ihnen auch diese Anleitung aus, um einem Missbrauch des Geräts und möglichen Verletzungen vorzubeugen.

BENUTZUNG UND WARTUNG DES AKKUS

- Zur Schonung der Umwelt müssen Akkus vorschriftsmäßig recycelt oder entsorgt werden. Dieses Produkt enthält Lithium-Ionen-Akkus. Die Entsorgung von Lithium-Ionen-Akkus im Hausmüll ist untersagt. Genaue Informationen über die vorhandenen Recycling- und/oder Entsorgungsmöglichkeiten erhalten Sie bei der jeweils zuständigen Behörde.
- Wenn der Akku zur Entsorgung bzw. Wiederverwertung aus dem Werkzeug genommen wird, müssen die elektrischen Kontakte des Akkus mit Klebeband abgeklebt werden. Versuchen Sie nicht, den Akku zu zerstören, zu zerlegen oder bestimmte Komponenten auszubauen. Lithium-Ionen-Akkus müssen vorschriftsmäßig recycelt bzw. entsorgt werden. Die elektrischen Kontakte dürfen außerdem niemals mit Metallobjekten und/oder Körperteilen berührt werden, da hierbei die Gefahr eines Kurzschlusses besteht. Von Kindern fern halten. Bei Nichteinhaltung dieser Warnhinweise besteht Brandgefahr und/oder schwere Verletzungsgefahr.
- **BEI UNSACHGEMÄSSER ANWENDUNG KANN FLÜSSIGKEIT AUS DEM AKKU AUSTRETEN; KONTAKT VERMEIDEN. BEI VERSEHENTLICHEM KONTAKT SOFORT MIT WASSER SPÜLEN. FALLS FLÜSSIGKEIT IN DIE AUGEN GERATEN IST, SUCHEN SIE AUSSERDEM EINEN ARZT AUF.** Aus dem Akku austretende Flüssigkeit kann Reizungen oder Verbrennungen verursachen.

TECHNISCHE DATEN

DE

Modellnummer	LM2120E	LM2120E-SP	
Eigenantrieb	Nein	Ja	
Spannung	56 V	56 V	
Leerlaufdrehzahl	2800 /min	2800 /min	
Schnitthöhe	28-94 mm	28-94 mm	
Schnitt Höheneinstellungen	6	6	
Mähwerkgröße	53 cm	53 cm	
Schnittbreite	52 cm	52 cm	
Volumen des Grasfangsacks	70 L	70 L	
Gewicht des Rasenmähers (ohne Akku)	22,10 kg	24,55 kg	
Messermodell	AB2101	AB2101	
Gemessener Schalleistungspegel L_{WA} K=2 dB(A)	89,9 dB(A)	89,5 dB(A)	
Schalldruckpegel am Ohr des Bediener L_{PA} K=3 dB(A)	87 dB(A)	87 dB(A)	
Gewährleisteter Schalleistungspegel L_{WA} (nach 2000/14/EG)	92 dB(A)	92 dB(A)	
Vibration a_{h1} K=1,5 m/s ²	Linker Holm	≤ 2,5 m/s ²	≤ 2,5 m/s ²
	Rechter Holm	≤ 2,5 m/s ²	≤ 2,5 m/s ²
Messerbremse	Ja	Ja	

- Der angegebene Vibrationsgesamtwert wurde nach einem Standard-Prüfverfahren gemessen und kann zum Vergleich mit einem anderen Werkzeug herangezogen werden.
- Der angegebene Vibrationsgesamtwert kann auch zur vorläufigen Risikobewertung herangezogen werden.

HINWEIS: Die beim Einsatz des Elektrowerkzeugs entstehenden Istvibrationen können von dem angegebenen Wert abweichen. Zum Schutz des Benutzers sollten Handschuhe und ein Gehörschutz während des Geräteinsatzes getragen werden.

PACKLISTE

TEILNAME	MENGE
Rasenmäher	1
Grasfangsack	1
Grasfangsack-Rahmen	1

Mulcheinsatz	1
Sicherheitsschlüssel	2
Bedienungsanleitung	1

BESCHREIBUNG

AUFBAU (Abb. A & B & C)

- Sicherheitsschalter
- Ein-/Ausschalter Eigenantrieb
- Holm-Feststellklemme
- Hinterer Auswurfklappe
- Hinterer Griff
- Akkufachabdeckung
- LED-Scheinwerfer
- Vorderer Griff
- Vorderrad
- Schnitthöhenversteller
- Mähwerk
- Hinterrad
- Grasfangsack
- Schnell-Einstellhebel
- Seitenholm
- Geschwindigkeitsregler Eigenantrieb
- Bügelhalter (Schalthebel)
- Lenkholm
- Mulcheinsatz
- Stütze zur Hochkantlagerung
- Hinterer Schutzverkleidung
- Schalter für LED-Scheinwerfer
- Betriebsanzeige

BEDIENUNG

BEFESTIGEN DES GRASFANGSACKS

- Schieben Sie den Grasfangsack auf den Rahmen (Abb. D).
- Bringen Sie die oberen Clips am Rahmen an (Abb. E). Befestigen Sie dann die beiden Seitenclips. Befestigen Sie zum Schluss den unteren Clip.
- Der vollständig befestigte Grasfangsack wird in Abb. F gezeigt.

HINWEIS: Bei normalem Gebrauch nutzt sich das Material des Sacks allmählich ab. Um die Verletzungsgefahr zu reduzieren, untersuchen Sie den Grasfangsack regelmäßig und wechseln Sie den Sack aus, wenn Sie Anzeichen von Verschleiß entdecken. Verwenden Sie nur für diesen Rasenmäher hergestellte Grasfangsäcke.

EINSTELLEN DES KLAPPBAREN HOLMS

⚠️ WARNUNG: Versuchen Sie nicht, den Rasenmäher zu starten, wenn der Holm noch nicht in einer der drei voreingestellten Betriebsposition arretiert ist (OBERE BETRIEBSPOSITION, MITTLERE BETRIEBSPOSITION oder UNTERE BETRIEBSPOSITION).

Ihr Rasenmäher wird mit dem Holm in der zusammengeklappten, arretierten Position ausgeliefert (Abb. G).

- 1) Halten Sie den Schnell-Einstellhebel gedrückt, um den Holm aus der arretierten Aufbewahrungsposition zu lösen (Abb. H-1).
- 2) Ziehen Sie den Holm langsam aus seiner zusammengeklappten Position nach oben und lassen Sie dann den Hebel los. Drehen Sie den Holm vorsichtig nach oben, bis Sie hören und spüren, wie der Arretierstift in einer der übrigen Positionen (Abb. H) einrastet.
 - GRASFANGSACK-BESFTIGUNGS-/ENTNAHMEPOSITION (Abb. H-2)
 - OBERE BETRIEBSPOSITION (Abb. H-3).
 - MITTLERE BETRIEBSPOSITION (Abb. H-4).
 - UNTERE BETRIEBSPOSITION (Abb. H-5).

BEFESTIGEN/ENTFERNEN DES GRASFANGSACKS/ MULCHEINSATZES

⚠️ WARNUNG: Nehmen Sie niemals Einstellungen am Rasenmäher vor, ohne zuvor den Motor abzustellen, den Sicherheitsschlüssel zu ziehen und zu warten, bis das Messer zum Stillstand gekommen ist.

HINWEIS: Bringen Sie vor dem Mähen eines der Anbaugeräte am Rasenmäher an.

- Zum Anbringen/Abnehmen des Grasfangsacks (Abb. I)

HINWEIS: Entnehmen Sie den vormontierten Mulcheinsatz, bevor Sie den Grasfangsack am Rasenmäher befestigen.

- Zum Anbringen/Abnehmen des Mulcheinsatzes (Abb. J)

EINSTELLEN DER SCHNITTHÖHE (Abb. K)

⚠️ WARNUNG: Halten Sie Ihre Füße vom Mähwerk fern, wenn Sie die Schnitthöhe einstellen. Der Rasenmäher kann auf fünf Schnitthöhen zwischen 28 und 94mm eingestellt werden. Wählen Sie die Schnitthöhe, die der Art und dem Zustand des Rasens entspricht.

⚠️ HINWEIS: Wenn Sie das Gerät transportieren, achten Sie darauf, dass die Schnitthöhe auf Position 3 oder größer eingestellt ist. Andernfalls kann es zu Beschädigungen am Messer kommen.

ANBRINGEN/ABNEHMEN DES AKKUS (Abb. L)

Laden Sie den Akku vor dem ersten Gebrauch auf.

⚠️ WARNUNG: Falls Teile defekt sind oder fehlen, darf der Rasenmäher erst dann wieder in Betrieb ersetzt werden, wenn die defekten fehlenden Teile am Gerät ersetzt worden sind. Andernfalls kann es zu schweren Verletzungen kommen.

- **Anbringen**
Schieben Sie den Akku bis zum hörbaren Einrasten in das Akkufach.
- **Abnehmen**
Drücken Sie die Akkuentriegelung am Akkufach. Beschreibung zu Abb. L, siehe unten:

L-1	Sicherheitsschloss
L-2	Sicherheitsschlüssel
L-3	Akku-Freigabeknopf

ANMERKUNG: Stellen Sie sicher, dass der Riegel am Rasenmäher einrastet und der Akku am Rasenmäher befestigt ist, bevor Sie das Gerät in Betrieb nehmen.

STARTEN/ANHALTEN DES RASENMÄHERS

⚠️ WARNUNG: Beim Betrieb des Rasenmähers besteht die Gefahr, dass Fremdkörper in die eigenen Augen oder in die Augen Dritter geschleudert werden. Die Augen können dadurch ernsthaft verletzt werden. Tragen Sie immer eine Schutzbrille, wenn Sie den Rasenmäher bedienen, oder wenn Sie Einstellungen daran vornehmen oder ihn reparieren.

⚠️ WARNUNG: Benutzen Sie den Rasenmäher nicht im Regen.

⚠️ WARNUNG: Stellen Sie sicher, dass andere Personen und Haustiere mindestens 30m vom Rasenmäher entfernt sind, wenn er in Betrieb ist.

⚠️ WARNUNG: Das Messer dreht sich nach dem Ausschalten des Rasenmähers noch einige Sekunden weiter. Warten Sie bis der Motor/das Messer stillsteht,

bevor Sie den Rasenmäher erneut starten. Schalten Sie den Rasenmäher nicht schnell hintereinander aus und ein.

DE

HINWEIS: Der Motor kann erst gestartet werden, wenn:

- Der Holm in einer der beiden Betriebspositionen arretiert ist .
- Die Seitenholme vollständig ausgezogen sind (Abb. M)
- Die beiden grünen Holm-Feststeller fest geschlossen sind (Abb.N)

⚠ VORSICHT: Versuchen Sie nicht, die Funktion des Sicherheitsschlüssel und Bügelschalters zu umgehen.

Starten (Abb. P)

- 1) Schließen Sie den Akku am Rasenmäher an, führen Sie den Sicherheitsschlüssel in das Schloss ein, und schließen Sie die Akkufach-Abdeckung (Abb. L).
- 2) Betätigen Sie den Schutzschalter gemäß Abb. O.
- 3) Ziehen Sie bei gedrücktem Sicherheitsschlüssel den Bügelschalter in Holmrichtung und lassen Sie den Schutzschalter los.

Anhalten (Abb. Q)

- 1) Lassen Sie den Bügelschalter los.
- 2) Die elektrische Bremse des automatischen Bremsmechanismus unterbricht die Drehbewegung des Messers von drei Sekunden nach dem Loslassen des Bügelschalters.

EIGENANTRIEB MIT VARIABLER-GESCHWINDIGKEIT

Der Rasenmäher LM2120E-SP ist mit Eigenantrieb und variabler Geschwindigkeit ausgestattet. Das System arbeitet unabhängig vom Ein/Ausschalter des Messers und von der Messerrotation.

Zum Starten des Systems ohne Messerdrehung ziehen Sie den Eigenantriebshebel in Holmrichtung.

Zum Abstellen des Eigenantriebs lassen Sie den Eigenantriebshebel wieder los.

Das System verfügt über eine variable Geschwindigkeit. Zum Beschleunigen bewegen Sie den Eigenantriebshebel nach vorn. Zum Verlangsamten bewegen Sie den Eigenantriebshebel nach hinten (Abb. R).

Um das Messer zum Mähen in Drehbewegung zu versetzen:

1. Starten Sie den Rasenmäher.
2. Halten Sie den Bügelschalter in Holmrichtung mit der linken Hand gezogen fest und ziehen Sie mit der rechten Hand den Eigenantriebshebel.
3. Halten Sie den Bügelschalter und den Eigenantriebschalter gleichzeitig mit der rechten

Hand und stellen Sie mit der linken Hand am Drehzahlregler die gewünschte Geschwindigkeit ein.

ANMERKUNG: Beim Mähen ist es einfacher, bestimmte Bereiche wie Bäume oder Pflanzen mit ausgeschaltetem Eigenantrieb zu umfahren.

⚠ WARNUNG: Die Schalterfunktion oder der Eigenantrieb sollte auf keinen Fall umgangen oder ausgeschaltet werden, um die Verletzungsgefahr zu verringern. Verwenden Sie den Eigenantrieb nur für den vorgesehenen Zweck.

LED-ARBEITSLEUCHTEN AM RASENMÄHER(Abb. A-7)

Betätigen Sie den Schalter (Abb. C-22) zum Ein- oder Ausschalten der LED-Arbeitsleuchten, die sich vor dem Akkufach befinden.

BETRIEBSANZEIGE AM RASENMÄHER (Abb. S)

Der Rasenmäher ist mit einer Betriebsanzeige ausgestattet, um den Ladezustand des Akkus und den Betriebszustand des Rasenmähers anzuzeigen. Die Betriebsanzeige leuchtet auf, wenn das Messer rotiert oder die LED-Arbeitsleuchten eingeschaltet sind.

Betriebsanzeige am Rasenmäher	Bedeutung	Status
Leuchtet grün	Der Rasenmäher funktioniert ordnungsgemäß; der Akku besitzt noch mindestens 15% seiner Ladung.	Nicht zutreffend
Leuchtet rot	Schwacher Akku	Rasenmäher abstellen und Akku aufladen
Blinkt rot	Der Akku ist fast leer.	Rasenmäher abstellen und Akku aufladen
Leuchtet orange	Der Rasenmäher oder der Akku ist überhitzt	Akku aus dem Rasenmäher entfernen, in den Schatten legen und mindestens 15 Minuten lang abkühlen lassen
Blinkt orange	Der Rasenmäher ist überlastet.	Verlangsamen Sie Ihr Tempo oder vergrößern Sie die Schnitthöhe, um die Belastung zu reduzieren.

ÜBERLASTUNGSSCHUTZ DES RASENMÄHERS

Um Beschädigungen aufgrund von Überlastung zu vermeiden, versuchen Sie nicht, zu viel Gras auf einmal zu mähen. Verlangsamen Sie Ihr Mähtempo oder vergrößern Sie die Schnitthöhe.

Ihr Rasenmäher besitzt eine integrierte Überlast-Schutzschaltung. Wenn der Rasenmäher überlastet ist, stellt sich der Motor ab und die Betriebsanzeige am Rasenmäher blinkt orange. Nehmen Sie den Akku aus dem Rasenmäher. Kontrollieren Sie, ob unter dem Mähwerk Gras anhaftet. Beseitigen Sie es ggf. und bringen Sie den Akku wieder an. Schalten Sie den Rasenmäher danach wieder ein.

AKKU-ÜBERHITZUNGSSCHUTZ

Der Akku wird während der Benutzung warm. Die Wärme wird bei sehr warmem Wetter langsamer abgebaut. Wenn die Akkutemperatur 70°C während des Betriebs überschreitet, wird der Rasenmäher von der Schutzschaltung automatisch abgeschaltet, um den Akku vor Schäden zu schützen. Die Betriebsanzeige am Rasenmäher leuchtet dann orange. Lassen Sie den Bügelschalter los, warten Sie, bis der sich Akku auf ungefähr 67°C abgekühlt hat und starten Sie den Rasenmäher dann erneut.

WARTUNG

⚠️ WARNUNG: Vor dem Reinigen, Warten oder Transportieren des Rasenmähers sollte der Sicherheitsschlüssel aus dem Rasenmäher gezogen werden.

⚠️ WARNUNG: Verwenden Sie für die Wartung nur identische Ersatzteile. Die Verwendung anderer Teile kann Unfälle und Schäden am Gerät hervorrufen. Um die Sicherheit und Zuverlässigkeit zu gewährleisten, sollten alle Reparaturen und der Austausch von Teilen nur von qualifizierten Servicetechnikern durchgeführt werden.

REINIGEN DES RASENMÄHERS

Die Unterseite des Mähwerks sollte nach jedem Gebrauch gereinigt werden, da dort Grasschnitt, Blätter, Schmutz und andere Ablagerungen anhaften.

Entfernen Sie anhaftendes Gras und Blätter an der und um die Antriebswelle (nur LM2120E-SP) und um den Motorlüfter herum (kein Wasser benutzen). Wischen Sie den Rasenmäher mit einem feuchten Tuch ab.

ANBRINGEN/ABMONTIEREN DES MESSERS

⚠️ WARNUNG: Schützen Sie stets Ihre Hände, indem Sie Handschuhe tragen oder die Schneidkanten mit Lumpen oder anderen Materialien umwickeln, wenn Sie Wartungsarbeiten am Rasenmähermesser durchführen. Entfernen Sie immer den Akku, wenn Sie den Rasenmäher warten oder transportieren.

Abmontieren des Messers

Siehe Abb. T.

HINWEIS: Wenn sich die Schraube mit der Motorwelle beim Lösen der Schraube mitdreht, drehen Sie den Lüfter von Hand, um die Bohrungen im Lüfter mit den Bohrungen im Messer fluchten zu lassen. Führen Sie dann einen weiteren Metallsteg in die fluchtenden Bohrungen ein (Abb. U).

■ Montieren des Messers

Die Montagereihenfolge ist in Abb. V dargestellt. Lassen Sie die Bohrungen im Lüfter mit den Bohrungen im Messer (Abb. W) fluchten. Das Lüftermesser muss dabei in Richtung Mähwerk und die beschriftete Messerseite nach außen zeigen. Nun schrauben Sie das Messer fest an, wie in Abb. X gezeigt.

Teilebeschreibung zu Abb. U & V, siehe unten:

U-1	Stabilisator 1	V-2	Innenflansch
U-2	Stabilisator 2	V-3	Messer
U-3	14 mm Schlüssel	V-4	Außenflansch
V-1	Lüfter	V-5	Schraube

HINWEIS: Zum Festschrauben des Messers wird ein Anzugsmoment von 49-59Nm empfohlen.

LAGERN DES RASENMÄHERS

- Nehmen Sie den Akku aus dem Rasenmäher und stellen Sie ihn an einem kühlen, trockenen Ort ab. Bewahren Sie ihn nicht neben ätzenden Stoffen wie etwa Dünger oder Steinsalz auf.
- Stellen Sie den Rasenmäher an einem geschützten, geschlossenen Ort ab, der kühl, trocken und für Kinder unerreichbar ist.
- Decken Sie den Rasenmäher nicht mit einer festen Kunststoffolie ab. Durch eine Kunststoffabdeckung kann die Feuchtigkeit um den Rasenmäher herum nicht entweichen, was zu Rostbildung und Korrosion führt.
- Der Rasenmäher kann hochkant oder waagrecht abgestellt werden (Abb Y).

⚠️ WARNUNG: Wenn der Rasenmäher aus der aufrechten Position umfällt, kann es zu Beschädigungen am Rasenmäher oder Verletzungen kommen. Achten Sie stets darauf, dass der Rasenmäher nicht umfallen kann und außer Reichweite von Kindern ist, wenn er hochkant abgestellt wird. Sofern möglich, bewahren Sie ihn waagrecht auf dem Boden auf.

Umweltschutz

DE



Elektrogeräte, Ladegeräte und Batterien/Akkus dürfen nicht im Hausmüll entsorgt werden!

Im Einklang mit der europäischen Richtlinie 2012/19/EG müssen elektrische und elektronische Altgeräte separat gesammelt werden. Dasselbe gilt auch für defekte oder verbrauchte Akkus/Batterien nach der europäischen Richtlinie 2006/66/EG.

Wenn elektrische Geräte auf Deponien oder Schutthalden entsorgt werden, dann können gefährliche Stoffe in das Grundwasser sickern und in die Nahrungskette gelangen. Dadurch werden Ihre Gesundheit und Ihr Wohlbefinden beeinträchtigt.

EG-KONFORMITÄTSERKLÄRUNG



Wir, EGO EUROPE GMBH

Wahlwiesenstrasse 1, D-71711 Steinheim an der Murr
Deutschland

erklärt, dass das Gerät mit der Bezeichnung **Akku-Rasenmäher (56 V) LM2120E/LM2120E-SP** die einschlägigen Anforderungen folgender Richtlinien in Bezug auf die Gesundheit und Sicherheit erfüllt:

2006/42/EG, 2014/30/EU, 2011/65/EU, 2000/14/EG

Zutreffende Normen und technische Spezifikationen:

EN 60335-1, EN 60335-2-77, EN 62233, EN 55014-1, EN 55014-2

	LM2120E	LM2120E-SP
Gemessener Schalleistungspegel:	89,9 dB(A)	89,5 dB(A)
Guaranteed Sound Power Level:	92 dB(A)	92 dB(A)

Die Beurteilung der Konformität gemäß Anhang VI erfolgt nach 2000/14/EG.

Benannte Stelle: Société Nationale de Certification et d'Homologation

Kennziffer der benannten Stelle: 0499

Peter Melrose
Geschäftsführer der EGO
Europe GmbH

Dong Jianxun
Qualitätsmanager Chervon

* (Verantwortlicher Vertreter von CHERVON und technischer Dokumentationsverantwortlicher)

01/09/2016

STÖRUNGSBESEITIGUNG

⚠️ WARNUNG: Entfernen Sie immer den Sicherheitsschlüssel und den Akku, wenn Sie den Rasenmäher warten oder transportieren. Schützen Sie stets Ihre Hände, indem Sie Handschuhe tragen oder die Schneidkanten mit Lumpen oder anderen Materialien umwickeln, wenn Sie Wartungsarbeiten am Rasenmähermesser durchführen.

PROBLEM	URSACHE	LÖSUNG
Rasenmäher lässt sich nicht starten	<ul style="list-style-type: none"> ■ Der Akku ist leer. ■ Der Akku ist noch nicht im Akkufach eingesetzt. ■ Der Akku oder die Rasenmäher-Elektronik ist zu heiß. (Die Betriebsanzeige am Rasenmäher leuchtet zehn Sekunden lang orange.) ■ Die Seitenholme sind nicht auf ihre maximale Länge ausgezogen und die Klemmvorrichtungen sind nicht arretiert. ■ Der Holm ist nicht in einer der beiden Betriebspositionen arretiert. ■ Das Mähwerk ist mit Gras und Ablagerungen verstopft. 	<ul style="list-style-type: none"> ■ Akku aufladen. ■ Schließen Sie den Akku am Rasenmäher an, indem Sie ihn bis zum hörbaren Klickgeräusch einrasten lassen. ■ Akku bzw. Rasenmäher unter 67°C abkühlen lassen. ■ Den Holm ganz herausziehen und beide Klemmvorrichtungen arretieren. ■ Stellen Sie den Holm auf eine der beiden Betriebspositionen ein. ■ Reinigen Sie das Mähwerk und stellen Sie sicher, dass sich das Messer frei bewegen kann.
Der Rasenmäher mäht ungleichmäßig	<ul style="list-style-type: none"> ■ Das Messer ist stumpf. ■ Die Schnitthöhe ist nicht korrekt eingestellt. ■ Das Messer ist falsch montiert. 	<ul style="list-style-type: none"> ■ Schärfen oder ersetzen Sie das Messer. ■ Stellen Sie am Mähwerk eine größere Schnitthöhe ein. ■ Montieren Sie das Messer wieder. Lesen Sie hierzu den Abschnitt „MONTIEREN DES MESSERS“ in dieser Bedienungsanleitung.

PROBLEM	URSACHE	LÖSUNG
Der Rasenmäher setzt beim Mähen aus	<ul style="list-style-type: none"> ■ Der Akku ist leer. ■ Rasenmäher ist überlastet. ■ Das Mähwerk ist mit Gras und Ablagerungen verstopft. ■ Der Akku oder die Rasenmäher-Elektronik ist zu heiß. (Die Betriebsanzeige am Rasenmäher leuchtet zehn Sekunden lang orange.) ■ Der Seitenholm wurde durch den Druck auf den Lenkholm beim Schieben etwas hineingefahren. 	<ul style="list-style-type: none"> ■ Akku aufladen. ■ Vergrößern Sie die Schnitthöhe oder verlangsamen Sie das Mähtempo. ■ Beseitigen Sie die Verstopfung am Mähwerk. Vergrößern Sie die Schnitthöhe oder mähen Sie schmalere Schneisen. ■ Akku bzw. Rasenmäher unter 67°C abkühlen lassen. ■ Die Klemmvorrichtungen lösen. Die Seitenholme ganz herausziehen und die Klemmvorrichtungen wieder festschrauben.
Der Rasenmäher mulcht nicht richtig	<ul style="list-style-type: none"> ■ Feuchte Grasabfälle kleben an der Unterseite des Mähwerks. ■ Der Rasenmäher ist so eingestellt, dass er eine zu große Menge Gras auf einmal mäht. 	<ul style="list-style-type: none"> ■ Warten Sie, bis das Gras trocken ist, bevor Sie mähen. ■ Stellen Sie am Mähwerk eine größere Schnitthöhe ein.
Das Gerät vibriert extrem	<ul style="list-style-type: none"> ■ Das Messer hat sich gelöst. ■ Das Messer hat eine Unwucht. ■ Das Messer ist verbogen. ■ Die Motorwelle ist verbogen. 	<ul style="list-style-type: none"> ■ Ziehen Sie die Messerschraube fest. ■ Wuchten Sie das Messer nach den Anweisungen aus. ■ Wechseln Sie das Messer aus. ■ Wenden Sie sich an das Servicezentrum.
Die Holm-Feststellklemmen lassen sich nicht schließen	<ul style="list-style-type: none"> ■ Die Seitenholme sind nicht vollständig ausgezogen. 	<ul style="list-style-type: none"> ■ Ziehen Sie die Seitenholme ganz heraus und schrauben Sie dann die Klemmen fest.

GARANTIE

EGO GEWÄHRLEISTUNGSRICHTLINIE

Bitte besuchen Sie unsere website egopowerplus.com mit den kompletten EGO Garantiebedingungen.

LISEZ TOUTES LES INSTRUCTIONS !



LIRE LE MANUEL D'UTILISATION

⚠ Risques résiduels! Les personnes portant des appareils électroniques, par exemple des stimulateurs cardiaques, doivent consulter leur(s) médecin(s) avant d'utiliser ce produit. L'utilisation d'un équipement électrique près d'un stimulateur cardiaque peut provoquer des interférences ou la panne du stimulateur cardiaque.

⚠ AVERTISSEMENT: Pour garantir la sécurité et la fiabilité, toutes les réparations et tous les changements de pièce doivent être effectués par un réparateur qualifié.

Domaine d'utilisation et utilisation impropre

prévisible: Le produit est conçu exclusivement pour tondre le gazon dans les jardins domestiques. Il ne doit pas être utilisé pour tondre de l'herbe inhabituellement haute, sèche ou humide, par exemple l'herbe de pâturages ou pour déchiqueter des feuilles. Le produit ne doit être utilisé qu'à la finalité pour laquelle il a été conçu. Tout autre usage est considéré impropre.

SYMBOLES DE SÉCURITÉ

L'objectif des symboles de sécurité est d'attirer votre attention sur des dangers potentiels. Les symboles de sécurité et les explications les accompagnant doivent être lus avec attention et compris. Les symboles de mise en garde ne permettent pas par eux-mêmes d'éliminer les dangers. Les consignes et mises en garde ne se substituent pas à des mesures de prévention appropriées des accidents.

⚠ AVERTISSEMENT: Avant d'utiliser cet outil, veillez à lire et à comprendre toutes les consignes de sécurité du guide d'utilisation, notamment tous les symboles d'alerte de sécurité comme « **DANGER** », « **AVERTISSEMENT** » et « **MISE EN GARDE** ». Ne pas respecter toutes les consignes listées ci-après peut provoquer un choc électrique, un incendie et/ou des blessures corporelles graves.

SIGNIFICATION DES SYMBOLES

SYMBOLE DE MISE EN GARDE DE SÉCURITÉ :



Indique un **DANGER**, un **AVERTISSEMENT** ou une **PRÉCAUTION**. Peut être utilisé en conjonction d'autres symboles ou pictogrammes.

⚠ AVERTISSEMENT: L'utilisation de tout outil électrique peut provoquer la projection d'objets étrangers dans vos yeux, ce qui peut provoquer des lésions oculaires graves. Avant de mettre un outil électrique en marche, portez toujours un masque de sécurité ou des lunettes de sécurité avec boucliers latéraux, ou un masque facial intégral quand cela est nécessaire. Nous vous recommandons de porter un Masque de Sécurité à Vision Panoramique par-dessus des lunettes de vue ou des lunettes de sécurité standards avec boucliers latéraux.

CONSIGNES DE SÉCURITÉ

Cette page illustre et décrit les symboles de sécurité qui peuvent être présents sur ce produit. Lisez, comprenez et respectez toutes les instructions présentes sur l'outil avant d'essayer de l'assembler et de l'utiliser.

	Alerte de sécurité	Précautions concernant votre sécurité.
	Porter une protection oculaire	Toujours porter un masque de sécurité ou des lunettes de sécurité avec boucliers latéraux et un masque facial intégral lors de l'utilisation de ce produit.
	Lire le manuel d'utilisation	Pour réduire le risque de blessures, l'utilisateur doit lire et comprendre le manuel d'utilisation avant d'utiliser ce produit.
	Attention aux lames tranchantes.	Après l'extinction du moteur les lames continuent à tourner - Retirez le coupe-circuit avant l'entretien Coupez le moteur et enlevez la batterie détachable (ou le coupe-circuit) avant un réglage ou le nettoyage.
	Maintenir les autres personnes éloignées	Veillez à ce que les autres personnes et les animaux restent à au moins 30m de la tondeuse lorsqu'elle est en marche.
	Construction de classe II	Construction à double isolation.

IPX4	Symbole IP	Protection contre la pénétration d'eau de degré 4
V	Volt	Tension
A	Ampères	Courant
Hz	Hertz	Fréquence (cycles par seconde)
W	Watt	Électricité
min	Minutes	Temps
	Courant alternatif	Type de courant
	Courant direct	Type de courant ou caractéristique de courant
n_0	Vitesse à vide	Vitesse de rotation à vide
.../min	Par minute	Rotations par minute

- N'utilisez jamais la tondeuse si des personnes, notamment des enfants, ou des animaux de compagnies sont à proximité.
- L'opérateur ou l'utilisateur est responsable des accidents ou dommages causés à des tiers ou à leurs biens.

PRÉPARATION

- Quand vous utilisez cette tondeuse, portez toujours des chaussures protectrices et des pantalons longs.
- N'utilisez pas l'appareil en étant pieds nus ou avec des sandales ouvertes.
- Inspectez soigneusement l'endroit où vous souhaitez utiliser la tondeuse et enlevez toutes les pierres, les brindilles, les fils, les os et autres corps étrangers.
- Avant l'utilisation, vérifiez que les lames, les boulons de lame et l'ensemble de coupe ne soient pas endommagés. Remplacez les lames et les boulons cassés ou usés en même temps pour maintenir l'équilibre.

CONSIGNES DE SÉCURITÉ POUR LA TONDEUSE À GAZON SANS FIL

⚠ DANGER: Cet appareil a été conçu pour être utilisé conformément aux règles d'utilisation sécuritaire indiquées dans ce guide. Comme avec tout autre type d'équipement électrique, la négligence ou une erreur de la part de l'utilisateur peut provoquer des blessures graves. Cet appareil peut amputer les mains et les pieds et projeter des débris. Le non-respect de toutes les consignes de sécurité peut provoquer des blessures graves ou mortelles.

⚠ AVERTISSEMENT: Lors de l'utilisation de tondeuses électriques, les consignes de sécurité fondamentales doivent toujours être observées afin de réduire le risque d'incendie, de décharge électrique et de blessure.

IMPORTANT

LIRE ATTENTIVEMENT AVANT UTILISATION.

CONSERVER POUR CONSULTATION ULTÉRIEURE. RÈGLES DE SÉCURITÉ POUR LES TONDEUSES SANS FIL: ATTENTION-NE TOUCHEZ PAS LES LAMES EN MOUVEMENT!

ENTRAÎNEMENT

- Lisez attentivement le manuel d'utilisation. Familiarisez-vous avec les commandes et l'utilisation correcte de l'outil.
- Ne laissez jamais des enfants ou des personnes non familiarisées avec les présentes instructions utiliser l'outil. Les réglementations locales peuvent définir un âge minimal pour l'opérateur.

UTILISATION

- Utilisez la tondeuse exclusivement à la lumière du jour ou sous une lumière artificielle suffisante.
- Évitez si possible d'utiliser l'appareil dans l'herbe humide.
- Sur les pentes, soyez toujours sûr de vos appuis.
- Marchez, ne courez jamais.
- Pour les machines à roues, tondez les pentes en travers, jamais de haut en bas.
- Faites extrêmement attention en changeant de direction sur les pentes.
- Ne tondez pas les pentes excessivement raides.
- Faites très attention en renversant ou en tirant l'appareil vers vous.
- Arrêtez la ou les lames si l'appareil doit être incliné ou transporté sur des surfaces autres que de l'herbe et lors du transport de l'appareil vers et depuis la zone à tondre.
- N'utilisez jamais l'outil si ses protections et boucliers sont défectueux, ou sans ses dispositifs de sécurité, par exemple si ses déflecteurs et/ou bacs de ramassage ne sont pas assemblés.
- Démarrez le moteur en respectant les instructions et en maintenant les pieds éloignés de la ou des lames.
- N'inclinez pas la tondeuse au moment de la mise en marche, sauf si elle doit être inclinée pour le démarrage. Dans ce cas, ne pas incliner plus que ce qui est absolument nécessaire et ne soulever que la partie la plus éloignée de l'opérateur. Assurez-vous toujours que vos deux mains sont en position de

manœuvre avant de retourner l'outil vers le sol.

- Ne démarrez pas l'outil quand vous êtes placé devant sa bouche d'éjection.
- Ne placez pas les mains ou les pieds près ou sous des éléments en rotation. Pour les tondeuses rotatives, ne restez jamais à proximité de la zone d'évacuation.
- Ne ramassez/prenez pas un objet lorsque le moteur est en marche.
- Coupez le moteur et enlevez la batterie détachable (ou le coupe-circuit) avant un réglage ou le nettoyage
 - À chaque fois que vous laissez l'outil sans surveillance.
 - Avant d'éliminer un bourrage.
 - Avant d'inspecter, de nettoyer ou de travailler sur l'outil.
 - Après avoir percuté un objet étranger. Inspectez l'appareil pour déceler les dommages et effectuez les réparations si nécessaire.
- Si l'outil se met à vibrer anormalement (contrôlez l'appareil immédiatement).
 - Inspectez-le pour vérifier qu'il n'est pas endommagé.
 - Réparez ou changez les pièces endommagées.
 - Vérifiez que toutes les pièces sont serrées et resserrez les pièces desserrées.

ENTRETIEN ET STOCKAGE

- Lorsque vous effectuez un réglage sur l'outil, veillez à ne pas vous coincer les doigts entre les accessoires de coupe mobiles et les pièces fixes de l'appareil.
- Veillez à ce que tous les écrous, vis et boulons soient bien serrés, afin de vous assurer que l'appareil est en bon état de marche.
- Inspectez fréquemment le sac/bac de ramassage pour vérifier qu'il n'est ni usé ni détérioré.
- Par sécurité, remplacez toutes les pièces usées ou endommagées.
- Le nettoyage et l'entretien par l'utilisateur ne doivent pas être effectués par des enfants sans surveillance.
- Lors de la maintenance de la lame, gardez à l'esprit qu'elle reste en rotation un certain temps après l'arrêt du moteur.
- Pour les tondeuses rotatives, assurez-vous que seuls de bons outils de coupe de rechange sont utilisés.

SÉCURITÉ DES PERSONNES

Des accidents tragiques peuvent se produire si l'opérateur n'est pas attentif à la présence d'enfants. Les enfants sont souvent attirés par la tondeuse et les activités de tonte. Ils ne comprennent pas les dangers. Ne considérez pas que les enfants resteront là où vous les avez vu la dernière fois.

- Éloignez les enfants de la zone de travail et placez-les sous la surveillance d'un adulte autre que le conducteur de la machine.
- Restez vigilant et arrêtez la tondeuse si des enfants s'approchent de la zone de travail.
- Faites très attention en approchant d'angles morts, de portes, de buissons, d'autres objets qui peuvent gêner votre visibilité d'un enfant qui pourrait courir vers la tondeuse.
- Il convient de surveiller les enfants pour s'assurer qu'ils ne jouent pas avec la tondeuse.
- Coupez toujours le moteur de la tondeuse avant de retirer la batterie de l'outil. Arrêtez la ou les lames si l'appareil doit être incliné ou transporté sur des surfaces autres que de l'herbe et lors du transport de l'appareil vers et depuis la zone à tondre.

UTILISATION FONCTIONNEMENT GÉNÉRAL:

- Veuillez lire attentivement l'ensemble de ce guide d'utilisation avant d'entamer l'assemblage de cet appareil. Vous devez lire, comprendre et suivre toutes les instructions présentes sur l'appareil et dans les manuels avant de l'utiliser. Avant d'utiliser cet appareil, familiarisez-vous avec toutes ses commandes et son utilisation correcte. Conservez ce guide en lieu sûr afin de pouvoir le consulter ultérieurement et régulièrement ainsi que pour commander des pièces de rechange.
- Utilisez l'appareil adapté à votre tâche – N'utilisez pas cette tondeuse à des fins autres que celles pour lesquelles elle a été conçue.
- Ne tendez pas les bras trop loin – Maintenez des appuis et un équilibre adéquats en tout temps.
- Des objets coincés dans la lame de la tondeuse peuvent causer des blessures graves. Vous devriez toujours examiner attentivement le gazon et enlever tous les objets qui s'y trouvent avant de le tondre.
- Avant de reculer et pendant que vous le faites, regardez derrière vous et par terre pour vous assurer qu'il n'y a pas de jeunes enfants ou d'autres personnes.
- Cet appareil n'est pas un jouet. Vous devez donc faire preuve d'une prudence extrême en tout temps. Cet appareil a été conçu pour effectuer une tâche précise : tondre le gazon. Ne l'utilisez à aucune autre fin.
- Ne forcez pas la tondeuse – elle vous permettra d'accomplir le travail pour lequel elle a été conçue plus efficacement et avec plus de sécurité si vous l'utilisez au rythme approprié.
- Avant l'utilisation, vérifiez que les lames, les boulons de lame et l'ensemble de coupe ne soient pas endommagés. Remplacez les lames, les boulons et les autres composants cassés ou usés en même temps pour maintenir l'équilibre. Remplacez les étiquettes endommagées ou illisibles.

- Faites très attention en renversant ou en tirant l'appareil vers vous.
- Inspectez soigneusement l'endroit où vous souhaitez utiliser la tondeuse. Enlevez toutes les pierres, les brindilles, les fils, les jouets et les autres corps étrangers sur lesquels vous pourriez trébucher ou qui pourraient être ramassés et projetés par la lame. Les débris projetés peuvent causer des blessures graves. Planifiez votre circuit de tonte pour éviter d'évacuer des débris sur la route, le trottoir ou les observateurs. Évitez également d'évacuer des débris contre les murs ou sur d'autres obstacles. Ceux-ci pourraient alors ricocher vers l'utilisateur.
- Pour éviter tout contact avec la lame ou toute blessure causée par la projection de débris, restez dans la zone de l'utilisateur, derrière les poignées, et gardez les enfants, les observateurs, les personnes qui vous aident et les animaux à au moins 30m de la tondeuse lorsqu'elle fonctionne. Mettez l'appareil hors tension si quelqu'un pénètre dans la zone.
- Portez toujours des lunettes de protection ou de sécurité lorsque vous utilisez cet appareil, ainsi que lors d'un réglage ou d'une réparation, afin de protéger vos yeux. Les débris projetés peuvent ricocher et causer des blessures graves aux yeux. Portez toujours un masque de protection ou un masque antipoussières lorsque l'endroit est poussiéreux.
- Habillez-vous convenablement – Ne portez pas de vêtements amples ni de bijoux. Ils peuvent se prendre dans les pièces mobiles. Le port de gants et de chaussures en caoutchouc est recommandé lorsque vous travaillez à l'extérieur. Portez des chaussures robustes à semelle épaisse et des vêtements bien ajustés. Une chemise et un pantalon qui protègent les bras et les jambes et des chaussures à bout d'acier sont recommandés. N'utilisez jamais la tondeuse si vous êtes pieds nus ou si vous portez des sandales ou des chaussures glissantes ou légères (par exemple, des chaussures en toile).
- Ne placez pas vos mains ou vos pieds près d'une pièce en mouvement ou sous le plateau de coupe. Tout contact avec la lame peut amputer les mains ou les pieds.
- Un couvercle d'évacuation manquant ou endommagé peut causer un contact avec la lame ou des blessures provoquées par la projection de débris.
- De nombreuses blessures surviennent lorsque la tondeuse passe sur le pied de l'utilisateur qui glisse ou trébuché et fait une chute. En cas de chute, ne retenez pas la tondeuse ; lâchez immédiatement la poignée.
- Ne tirez jamais la tondeuse vers vous en marchant. Si vous devez reculer la tondeuse d'un mur ou d'un obstacle regardez d'abord par terre et derrière vous pour éviter de trébucher, puis suivez ces étapes:
 - Éloignez-vous de la tondeuse en tendant complètement les bras
 - Assurez-vous que vos appuis sont fermes et équilibrés.
 - Reculez lentement la tondeuse, au maximum à mi-chemin vers vous
 - Répétez ces étapes au besoin
- N'utilisez pas la tondeuse sous l'influence d'alcool ou de drogues.
- N'utilisez jamais l'outil si ses protections et boucliers sont défectueux, ou sans ses dispositifs de sécurité, par exemple si ses déflecteurs et/ou bacs de ramassage ne sont pas assemblés
- Restez attentif – faites attention à ce que vous faites. Faites preuve de bon sens. N'utilisez pas la tondeuse lorsque vous êtes fatigué
- La manette de contrôle du moteur et de la lame est un dispositif de sécurité. Ne tentez jamais de contourner son fonctionnement. Cela rendrait le dispositif de sécurité inopérant et pourrait causer des blessures par contact avec la lame rotative. La manette de contrôle du moteur et de la lame doit pouvoir fonctionner librement dans les deux directions et retourner automatiquement à la position retirée lorsque vous la relâchez
- Évitez les environnements dangereux – N'utilisez pas la tondeuse dans un endroit mouillé ou humide
 - Ne l'utilisez pas sous la pluie
 - Soyez toujours sûr de vos appuis. Vous pourriez vous blesser gravement si vous glissez et tombez. Si vous sentez que vous perdez l'équilibre, relâchez immédiatement la manette de contrôle du moteur et de la lame. La lame s'arrêtera de tourner entrois secondes
- Arrêtez la lame avant de traverser une allée recouverte de gravier, un trottoir ou une route
- Si l'équipement venait à vibrer de manière anormale, arrêtez le moteur et vérifiez immédiatement la cause. Les vibrations indiquent généralement qu'il y a un problème
 - Inspectez pour déceler d'éventuels dommages
 - Remplacez ou réparez toutes les pièces endommagées remplaçables par l'utilisateur
 - Vérifiez et serrez toutes les pièces desserrées
- N'utilisez jamais la tondeuse si elle n'est pas munie de sa lame de protection souple, d'un couvercle d'évacuation, du bac de récupération d'herbe, d'un insert pour déchetage, d'une sortie d'évacuation latérale, d'une manette de contrôle du moteur et de la lame ou d'autres dispositifs de sécurité protecteurs qui fonctionnent adéquatement. N'utilisez jamais la tondeuse si les dispositifs de sécurité sont endommagés. Cela pourrait entraîner des blessures. S'il se produit une situation qui ne figure pas dans le présent guide, faites preuve de prudence et de bon sens. Communiquez avec le centre de service EGO pour obtenir de l'aide.

- Utilisez exclusivement les batteries et les chargeurs listés ci-dessous.

BATTERIE	CHARGEUR
BA1120E, BA2240E, BA2800, BA3360, BA4200	CH5500E, CH2100E

- La batterie doit être retirée de l'outil avant la mise au rebut
- La batterie doit être mise au rebut d'une manière sûre

UTILISATION SUR UNE PENTE:

Les blessures graves causées par des chutes par glissement se produisent souvent dans des pentes. Sur les pentes, soyez toujours sûr de vos appuis. Les travaux effectués sur un terrain en pente exigent des précautions supplémentaires. Si vous ne vous sentez pas à l'aise sur une pente, n'utilisez pas la tondeuse.

À faire:

- Tondez les pentes en travers, jamais de haut en bas. Faites extrêmement attention en changeant de direction sur les pentes.
- Faites attention aux trous, aux ornières, aux pierres, aux objets dissimulés ou aux bosses qui pourraient vous faire glisser ou trébucher. Des herbes hautes peuvent dissimuler des obstacles.

À ne pas faire:

- Ne tondez pas près d'une falaise, d'un fossé ou d'un remblai ; vous pourriez perdre pied ou perdre l'équilibre.
- N'utilisez pas la tondeuse si la pente est inclinée à plus de 15 degrés, comme l'indique l'inclinomètre
- Ne coupez pas l'herbe si elle est mouillée. Un appui instable pourrait vous faire glisser.

ENTRETIEN

⚠ AVERTISSEMENT: Les éléments tel que : le bac de récupération d'herbe, le couvercle d'évacuation, la sortie d'évacuation latérale, l'insert pour déchetage et la lame de protection souple peuvent s'user et être endommagés et, par conséquent, exposer les pièces mobiles ou causer la projection de débris, ce qui augmente le risque de blessure. Par mesure de sécurité, vérifiez souvent tous les éléments et, s'ils sont endommagés, remplacez-les immédiatement avec des pièces identiques à celles figurant dans ce guide. Communiquez avec le service à la clientèle EGO ou le centre de service EGO le plus proche, et les changements de pièce ou les réparations doivent être effectués par un réparateur qualifié !

- Si l'interrupteur de protection contre les surcharges intégré à la tondeuse se déclenche fréquemment

communiquez avec le service à la clientèle EGO ou le centre de service EGO le plus proche.



- Ne nettoyez pas la tondeuse avec un jet d'eau, car de l'eau pourrait s'infiltrer dans le moteur et les connexions électriques.
- Retirez la clé et remisez la tondeuse à l'intérieur lorsqu'elle n'est pas utilisée. Laissez le moteur refroidir avant de remiser la tondeuse. La tondeuse doit être rangée dans un endroit sec, surélevé ou verrouillé, hors de portée des enfants.
- Lorsque vous procédez à l'entretien de la tondeuse, utilisez uniquement des pièces de rechange identiques à celles indiquées dans ce guide. L'utilisation de pièces ne correspondant pas aux caractéristiques de l'équipement d'origine peut causer un fonctionnement inadéquat et compromettre la sécurité.
- Enlevez ou débranchez la batterie avant de procéder à l'entretien ou au nettoyage de la tondeuse ou d'en retirer des éléments.
- Suivez les instructions de graissage et de changement d'accessoires.
- Maintenez les poignées sèches, propres et exemptes d'huile ou de graisse.
- Pour réduire les risques d'incendie, éliminez l'accumulation de brins d'herbe, de feuilles et d'autres débris sur le moteur.
- Vérifiez fréquemment que les boulons de fixation du moteur et des lames sont correctement serrés. De plus, effectuez une inspection visuelle des lames pour vérifier qu'elles ne sont pas endommagées (par exemple, tordues, fissurées ou usées). Remplacez la lame uniquement avec une lame de rechange identique à celle indiquée dans ce guide.
- Entretenez soigneusement votre tondeuse – gardez la lame affûtée et propre pour un rendement plus efficace et plus sécuritaire. Les lames sont tranchantes et peuvent causer des coupures. Recouvrez la lame ou portez des gants et soyez très prudent lorsque vous en faites l'entretien
- Ne touchez jamais les dispositifs de sécurité et ne les enlevez pas. Vérifiez régulièrement qu'ils fonctionnent correctement. Ne faites jamais rien qui pourrait interférer avec la fonction prévue d'un dispositif de sécurité ou qui pourrait réduire la protection fournie par un dispositif de sécurité.
- Arrêtez toujours le moteur avant de procéder à des réglages à une roue ou à la hauteur du plateau de coupe.
- Arrêtez le moteur après avoir heurté un objet quelconque, enlevez la clé et vérifiez soigneusement que la tondeuse n'est pas endommagée. Réparez les dommages avant d'utiliser la tondeuse.

- Conservez les plaques signalétiques d'instruction et de sécurité ou remplacez-les au besoin. Communiquez avec le service à la clientèle EGO ou le centre de service EGO le plus proche, et les changements de pièce ou les réparations doivent être effectués par un réparateur qualifié !
- **CONSERVEZ CES INSTRUCTIONS.** Consultez-les fréquemment et servez-vous-en pour instruire les autres
- personnes devant utiliser cet outil. Si vous prêtez cet appareil à quelqu'un, prêtez-lui également ces instructions afin de prévenir une utilisation inadéquate du produit et des blessures potentielles.

UTILISATION ET ENTRETIEN DE LA BATTERIE

- Afin de préserver les ressources naturelles, recyclez les batteries ou mettez-les au rebut d'une manière appropriée. Ce produit contient des accumulateurs lithium-ion. Les lois locales ou nationales interdisent de jeter les batteries au lithium-ion avec les ordures ménagères classiques. Contactez l'organisme local de gestion des déchets pour obtenir des informations concernant les possibilités existantes de mise au rebut et/ou de recyclage.
- Après avoir retiré le bloc-batterie, couvrez ses bornes avec un ruban adhésif de qualité industrielle. N'essayez pas de démonter ou détruire le bloc-batterie ou de retirer des composants quels qu'ils soient. Les batteries au lithium-ion doivent être recyclées ou éliminées selon une méthode appropriée. Ne touchez jamais leurs contacts avec des objets métalliques et/ou des parties de votre corps, car cela peut provoquer un court-circuit. Maintenez hors de portée des enfants. Ne pas respecter ces mises en garde peut provoquer des blessures graves et/ou un incendie.
- **EN CAS D'USAGE ABUSIF, DU LIQUIDE PEUT S'ÉCHAPPER DES PILES. ÉVITEZ TOUT CONTACT AVEC CE LIQUIDE. EN CAS DE CONTACT ACCIDENTEL, RINCEZ IMMÉDIATEMENT LES PARTIES ATTEINTES AVEC DE L'EAU. EN CAS D'ÉCLABOUSSURE DANS LES YEUX CONSULTEZ EN OUTRE UN MÉDECIN.** Le liquide qui s'échappe de la batterie peut provoquer des irritations et des brûlures.

SPÉCIFICATIONS

Número de modèle	LM2120E	LM2120E-SP	
Système d'avancement automatique	Non	Oui	
Tension	56 V 	56 V 	
Régime à vide	2800 /min	2800 /min	
Hauteur de coupe	28-94 mm	28-94 mm	
Différentes hauteurs de coupe	6	6	
Taille du carénage	53 cm	53 cm	
Largeur de coupe	52 cm	52 cm	
Volume du bac de ramassage	70 L	70 L	
Poids de la tondeuse (sans batterie)	22,10 kg	24,55 kg	
Modèle de lame	AB2101	AB2101	
Niveau de puissance acoustique mesuré L_{WA} $K=2$ dB(A)	89,9 dB(A)	89,5 dB(A)	
Niveau de pression acoustique au niveau des oreilles de l'opérateur L_{PA} $K=3$ dB(A)	87 dB(A)	87 dB(A)	
Niveau de puissance acoustique garantie L_{WA} (conformément à la norme 2000/14/CE)	92 dB(A)	92 dB(A)	
Vibration a_h $K=1,5$ m/s ²	Poignée gauche	$\leq 2,5$ m/s ²	$\leq 2,5$ m/s ²
	Poignée droite	$\leq 2,5$ m/s ²	$\leq 2,5$ m/s ²
Frein de lame	Oui	Oui	

- La valeur totale des vibrations indiquée a été mesurée selon une procédure conforme à une méthode de test standardisée et peut servir pour comparer différents outils.
- La valeur totale des vibrations indiquée peut également servir pour effectuer une première évaluation de l'exposition.

REMARQUE: Le niveau de vibrations lors de l'utilisation réelle de l'outil peut être différent de la valeur déclarée totale en fonction de la manière dont l'outil est utilisé ; Afin de protéger l'opérateur, l'utilisateur doit porter des gants et des protecteurs d'oreilles en conditions réelles d'utilisation.

CONTENU DE L'EMBALLAGE

NOM DE PIÈCE	QUANTITÉ
Tondeuse	1
Sac de déchets de coupe	1
Cadre du sac de déchets de coupe	1
Insert pour déchetage	1
Clé de sécurité	2
Manuel d'utilisation	1

DESCRIPTION

DESCRIPTION DE VOTRE TONDEUSE (Images A, B et C)

- Bouton de sécurité
- Lever d'avancement automatique
- Fixation de guidon
- Capot de la bouche d'éjection arrière
- Poignée arrière
- Couvercle du logement de la batterie
- Lampes avant à LED
- Poignée avant
- Roue avant
- Lever de réglage de la hauteur de coupe
- Carénage de la tondeuse
- Roue arrière
- Bac de ramassage
- Lever de réglage rapide
- Barre de guidon latérale
- Lever de contrôle de la vitesse d'avancement automatique
- Lever d'interrupteur
- Guidon
- Obturbateur de mulching
- Support de rangement à la verticale
- Bouclier arrière
- Interrupteur des lampes avant à LED
- Indicateur de fonctionnement

UTILISATION

ASSEMBLAGE DU SAC DE DÉCHETS DE COUPE

- Glissez le sac de déchets de coupe sur le cadre (Image D).
- Fixez les attaches supérieures sur le cadre (Image E), puis fixez les deux attaches latérales. Fixez ensuite l'attache inférieure.
- Le bac de ramassage entièrement assemblé est montré sur l'image F.

REMARQUE: Lors d'un usage normal, le matériau du bac s'use. Pour réduire le risque de blessure, inspectez-le fréquemment et intégralement, et remplacez-le s'il présente des signes de détérioration ou d'usure. Utilisez exclusivement les bacs de ramassage fabriqués pour cette tondeuse.

RÉGLER LE GUIDON PLIANT

⚠ AVERTISSEMENT: N'essayez pas de démarrer la tondeuse tant que son guidon n'est pas verrouillé dans l'une des trois positions de travail pré-réglées (POSITION DE TRAVAIL HAUTE, POSITION DE TRAVAIL MÉDIANE ou POSITION DE TRAVAIL BASSE).

Votre tondeuse est fournie avec son guidon replié dans la POSITION DE RANGEMENT VERROUILLÉE (Image G).

- Maintenez le levier de réglage rapide appuyé pour débloquer le guidon de la POSITION DE RANGEMENT VERROUILLÉE (Image H-1).
- Relevez le guidon de sa position repliée, puis relâchez le levier. Faites-le pivoter délicatement vers le haut jusqu'à entendre et sentir que la goupille de blocage s'encastre dans l'une des positions tel que montré sur l'image H.
 - POSITION DE FIXATION OU DE RETRAIT DU SAC DE DÉCHETS DE COUPE (Image H-2)
 - POSITION D'UTILISATION SUPÉRIEURE (Image H-3).
 - POSITION DE TRAVAIL MÉDIANE (Image H-4)
 - POSITION D'UTILISATION INFÉRIEURE (Image H-5).

ASSEMBLER/RETIRER LE BAC DE RAMASSAGE / L'OBTURATEUR DE MULCHING

⚠ AVERTISSEMENT: N'essayez jamais d'effectuer un réglage sur la tondeuse à gazon sans d'abord arrêter le moteur, retirer la clé de sécurité et attendre que la lame se soit arrêtée de tourner.

REMARQUE: Assemblez les accessoires sur la tondeuse à gazon avant de commencer à tondre.

■ **Assembler/Retirer le bac de ramassage (Image I)**

REMARQUE: Retirez l'obturateur de mulching préinstallé dans la tondeuse avant d'assembler le bac de ramassage sur la tondeuse.

■ **Assembler/Retirer l'obturateur de mulching (Image J)**

■ **RÉGLER LA HAUTEUR DE COUPE (Image K)**

AVERTISSEMENT: Tenez vos pieds loin du plateau de coupe lorsque vous en réglez la hauteur. La tondeuse peut être réglée à 5 hauteurs de coupe différentes variant de 28 mm à 94 mm. Choisissez la hauteur de coupe appropriée en fonction du type et de l'état du gazon

REMARQUE: Lorsque vous déplacez l'outil, assurez-vous que la taille de coupe est ajustée à la position 3 ou plus. Ne pas respecter cette exigence peut endommager la lame.

INSÉRER/RETIRER LA BATTERIE (Image L)

RECHARGEZ LA BATTERIE AVANT LA PREMIÈRE UTILISATION.

AVERTISSEMENT: S'il y a des pièces manquantes ou endommagées, ne tentez pas d'installer le bloc-batterie sur la tondeuse ou de faire fonctionner celle-ci tant que les pièces manquantes ou endommagées n'ont pas été remplacées. Cela pourrait provoquer des blessures graves.

■ **Insertion**

■ Poussez sur le bloc-batterie jusqu'à ce que vous entendiez un « clic ». Le bouton d'éjection de la batterie se relèvera lorsque le bloc-batterie est solidement fixé.

■ **Retrait**

■ Appuyez sur le bouton de déblocage de la batterie dans le logement de la batterie.

Image L Description des pièces, voir ci-dessous :

L-1	Logement de la clé de sécurité
L-2	Clé de sécurité
L-3	Bouton de déblocage de la batterie

REMARQUE: Avant d'utiliser l'appareil, assurez-vous que le verrou de la tondeuse se loge en place et que le bloc-batterie est bien fixé.

DÉMARRER ET ÉTEINDRE LA TONDEUSE

AVERTISSEMENT: L'utilisation de toute tondeuse peut provoquer la projection de corps étrangers dans les yeux et ainsi entraîner des lésions oculaires graves. Portez toujours des lunettes de sécurité lorsque vous utilisez la tondeuse, ainsi que lors d'un réglage ou d'une réparation.

AVERTISSEMENT: N'utilisez pas la tondeuse sous la pluie.

AVERTISSEMENT: Veillez à ce que les autres personnes et les animaux restent à au moins 30m de la tondeuse lorsqu'elle est en marche.

AVERTISSEMENT: La lame continuera à tourner pendant quelques secondes après l'arrêt de la tondeuse. Attendez que le moteur et les lames cessent de tourner avant de remettre la tondeuse en marche. N'arrêtez et ne redémarrez pas rapidement la tondeuse.

REMARQUE: Le moteur ne peut pas être mis en marche si:

- la poignée n'est pas verrouillée dans l'une des positions d'utilisation
- les barres latérales ne sont pas complètement allongées (Image M).
- les deux pinces vertes de verrouillage de la poignée ne sont pas bien fermées (Image N).

ATTENTION: N'essayez pas de fausser le fonctionnement du bouton de sécurité et du levier d'interrupteur.

Démarrer l'outil (Image P)

- 1) Insérez la batterie dans la tondeuse, insérez la clé de sécurité dans le logement prévu et fermez le couvercle du logement de la batterie (Image L).
- 2) Conformément à l'image O, appuyez sur le bouton de sécurité.
- 3) Avec le bouton de sécurité appuyé, tirez le levier d'interrupteur vers le haut contre le guidon, puis relâchez le bouton de sécurité.

Éteindre l'outil (Image Q)

- 1) Relâchez le levier d'interrupteur.
- 2) Le frein électrique du mécanisme de freinage automatique stoppe la rotation de la lame dans les 3 secondes après que vous ayez relâché le levier d'interrupteur.

SYSTÈME D'AVANCEMENT AUTOMATIQUE À VITESSE VARIABLE

La tondeuse LM2120E-SP est pourvue d'un système d'avancement automatique à vitesse variable. Ce système est indépendant de l'interrupteur marche/arrêt de la lame, il ne dépend pas de la rotation de la lame.

Pour utiliser ce système sans la rotation de la lame, tirez le levier d'avancement automatique vers le guidon.

Pour l'éteindre, relâchez le levier d'avancement automatique.

La vitesse du système est variable. Pour accroître la vitesse, déplacez le levier de contrôle de la vitesse d'avancement automatique vers l'avant. Pour réduire la vitesse, déplacez le levier de contrôle de la vitesse d'avancement automatique vers l'arrière (Image R).

Utilisation avec la lame en rotation pour tondre :

1. Démarrez la tondeuse à gazon
2. Tout en maintenant le levier d'interrupteur contre le guidon de la main gauche, tirez le levier d'avancement automatique vers le guidon de la main droite.
3. Maintenez simultanément le levier d'interrupteur et le levier d'avancement automatique contre le guidon avec la main droite et réglez avec la main gauche le levier de contrôle de la vitesse d'avancement automatique sur la vitesse désirée.

REMARQUE: Pendant la coupe, il peut être plus facile de tondre autour d'un objet, par exemple un arbre ou des plantes, avec la fonction d'avancement automatique éteinte.

⚠ AVERTISSEMENT: Pour réduire le risque de blessure, n'essayez jamais de fausser le fonctionnement du système d'avancement automatique ou du système d'interrupteur. Utilisez la fonction d'avancement automatique exclusivement à l'usage pour laquelle elle a été conçue.

LAMPES DE TRAVAIL À LED DE LA TONDEUSE (Image A-7)

Appuyez sur l'interrupteur (Image C-22) pour allumer/éteindre les lampes de travail à LED sur l'avant du logement de la batterie.

INDICATEUR DE FONCTIONNEMENT DE LA TONDEUSE (Image S)

La tondeuse est munie d'un indicateur de mise en marche qui indique la capacité de charge du bloc-batterie et l'état de fonctionnement de la tondeuse. L'indicateur de mise en marche s'allume lorsque la lame tourne ou lorsque les phares à DEL sont allumés.

Indicateur de mise en marche de la tondeuse	Signification	Action
Brille en vert	La tondeuse fonctionne correctement, la batterie dispose d'au moins 15% de sa charge.	N/A

Brille en rouge	Batterie faible.	Arrêtez la tondeuse et chargez la batterie
Clignote en rouge	La batterie est presque déchargée	Arrêtez la tondeuse et chargez la batterie
Brille en orange	La tondeuse ou le bloc- batterie est en surchauffe.	Enlevez la batterie de la tondeuse, mettez-les à l'ombre et laissez-les refroidir au moins 15 minutes.
Clignote en orange	La tondeuse est en surcharge.	Ralentissez votre rythme ou élevez la hauteur de coupe pour diminuer la charge.

PROTECTION CONTRE LA SURCHARGE DE LA TONDEUSE

Pour éviter les surcharges, n'essayez pas de couper trop d'herbe en même temps. Ralentissez votre rythme ou relevez la hauteur de coupe.

Votre tondeuse est pourvue d'une protection intégrée contre la surcharge. Si la tondeuse est en surcharge, son moteur s'arrête et son indicateur de fonctionnement clignote en orange. Retirez la batterie de la tondeuse. Inspectez le dessous du carénage pour voir si des herbes s'y sont accumulées et enlevez-les si nécessaire, puis réinsérez la batterie et redémarrez la tondeuse.

PROTECTION CONTRE LA SURCHAUFFE DE LA BATTERIE

Le bloc-batterie génère de la chaleur lorsque la tondeuse est en marche. Lorsqu'il fait chaud, la chaleur se dissipe plus lentement. Si la température du bloc-batterie dépasse 70 °C, le circuit de protection éteint immédiatement la tondeuse pour éviter d'endommager le bloc-batterie. Un voyant orange s'allume sur l'indicateur de mise en marche.

Relâchez la poignée de désengagement, attendez que le bloc-batterie ait refroidi jusqu'à une température d'environ 67 °C, puis redémarrez la tondeuse.

ENTRETIEN

FR

⚠ AVERTISSEMENT: Afin de vous prémunir contre des blessures corporelles graves, retirez toujours la clé de sécurité de la tondeuse avant toute opération de nettoyage ou d'entretien et avant de transporter la tondeuse.

⚠ AVERTISSEMENT: L'outil ne doit être réparé qu'avec des pièces de rechange identique. L'utilisation de toute autre pièce peut créer un danger ou détériorer le produit. Pour garantir la sécurité et la fiabilité, toutes les réparations et tous les changements de pièce doivent être effectués par un réparateur qualifié.

NETTOYER LA TONDEUSE À GAZON

Le dessous du carénage de la tondeuse doit être nettoyé après chaque utilisation, car les herbes coupées, les feuilles, la terre et les autres débris s'y accumulent.

Enlevez les feuilles et les herbes accumulées sur et autour de l'axe d'entraînement (uniquement le modèle LM2120E-SP) et du ventilateur du moteur (n'utilisez pas d'eau). Essuyez la tondeuse avec un chiffon humidifié pour la nettoyer.

DÉMONTER/ASSEMBLER LA LAME

⚠ AVERTISSEMENT: Protégez toujours vos mains en portant des gants épais ou en enroulant les bords coupants de la lame dans des chiffons ou d'autres matériaux lors de l'entretien de la lame de la tondeuse. Retirez toujours la batterie pendant l'entretien ou le transport de la tondeuse.

- **Démonter la lame**
- Procédez comme montré sur l'image T.

REMARQUE: Si le boulon tourne avec l'axe du moteur lors du desserrage du boulon, tournez le ventilateur à la main pour aligner les trous du ventilateur avec les trous de la lame et placez une autre tige métallique dans les trous alignés (Image U).

- **Assembler la lame**
- Procédez comme montré sur l'image V. Placez le ventilateur du côté du carénage et placez le côté imprimé de la lame vers l'extérieur, alignez les trous du ventilateur avec les trous de la lame (Image W), puis vissez la lame comme montré sur l'image X.

Images U et V Description des pièces, voir ci-dessous :

U-1	Stabilisateur 1	V-2	Bride interne
U-2	Stabilisateur 2	V-3	Lame
U-3	Clé de 14 mm	V-4	Bride externe
V-1	Ventilateur	V-5	Boulon

REMARQUE: Le couple de serrage recommandé du boulon de la lame est de 49~59Nm.

RANGER LA TONDEUSE À GAZON

- Retirez le bloc-batterie de la tondeuse et remisez-le dans un endroit frais et sec.
- Remisez la tondeuse dans un endroit couvert, fermé, frais et sec, hors de portée des enfants.
- Ne couvrez pas la tondeuse d'une feuille de plastique solide. Les couvertures de plastique emprisonnent l'humidité autour de la tondeuse, ce qui provoque rouille et corrosion.
- La tondeuse peut être rangée verticalement ou horizontalement (Image Y).

⚠ AVERTISSEMENT: Si la tondeuse se renverse à partir de la position verticale, cela pourrait l'endommager ou causer des blessures. Assurez-vous que la tondeuse est toujours stable et hors de portée des enfants lorsqu'elle est en position verticale. Dans la mesure du possible, remisez-la à plat.

Protection de l'environnement



Ne jetez pas les équipements électriques, les chargeurs de batterie, les batteries rechargeables et les piles avec les ordures ménagères !

Conformément à la direction européenne 2012/19/EU, les équipements électriques et électroniques qui ne sont plus utilisables, et conformément à la directive européenne 2006/66/CE, les batteries rechargeables et les piles usagées ou défectueuses doivent être collectés séparément.

Si les appareils électriques sont jetés dans des décharges ou des dépôts d'ordures, des substances dangereuses peuvent s'infiltrer jusque dans la nappe phréatique et entrer dans la chaîne alimentaire, avec un effet néfaste sur votre santé et votre bien-être.

DÉCLARATION DE CONFORMITÉ CE

Nous, EGO EUROPE GMBH

Wahlwiesenstrasse 1, D-71711 Steinheim an der Murr
Deutschland

Déclarons que le produit ci-dessous **tondeuse sans fil au lithium-ion de 56V LM2120E/LM2120E-SP**, satisfait aux exigences sanitaires et de sécurité essentielles des directives suivantes:

2006/42/CE, 2014/30/UE, 2011/65/UE, 2000/14/CE

Normes et spécifications techniques visées :

EN 60335-1, EN 60335-2-77, EN 62233, EN 55014-1, EN 55014-2

	LM2120E	LM2120E-SP
Niveau de puissance acoustique mesuré	89,9 dB(A)	89,5 dB(A)
Niveau de puissance acoustique garanti	92 dB(A)	92 dB(A)

La procédure d'évaluation de la conformité à l'Annexe VI a été effectuée conformément à la directive 2000/14/CE.

Organisme notifié : Société Nationale de Certification et d'Homologation

Numéro d'organisme notifié : 0499

KEES VAN DER BEEK
TUINMACHINES * STOLWIJK

Peter Melrose
Directeur général de
EGO Europe GmbH

Dong Jianxun
Directeur Qualité de Chervon

* (Représentant autorisé par CHERVON et responsable de la documentation technique)

01/09/2016

DÉPANNAGE

⚠ AVERTISSEMENT: Retirez toujours la clé de sécurité et le bloc-batterie lorsque vous procédez à l'entretien de la tondeuse ou que vous la transportez. Protégez-vous toujours les mains en portant des gants épais ou en recouvrant les bords coupants à l'aide de chiffons ou d'autres matériaux lorsque vous effectuez des opérations d'entretien de la lame de la tondeuse.

FR

PROBLÈME	CAUSE	SOLUTION
La tondeuse ne démarre pas.	<ul style="list-style-type: none"> ■ La batterie est déchargée. ■ La batterie n'est pas placée dans le logement de la batterie. ■ La batterie ou les circuits de la tondeuse sont trop chauds. (Un voyant orange s'allume sur l'indicateur de mise en marche pendant 10 secondes.) ■ Les barres latérales ne sont pas allongées à la longueur maximale et les pinces ne sont pas verrouillées en place. ■ La poignée n'est pas réglée dans l'une des deux positions d'utilisation. ■ Le plateau de coupe est obstrué d'herbe et de débris. 	<ul style="list-style-type: none"> ■ Rechargez la batterie. ■ Insérez la batterie dans la tondeuse, appuyez dessus jusqu'à entendre un déclic. ■ Laissez la batterie ou la tondeuse refroidir jusqu'à ce que sa température devienne inférieure à 67°C. ■ Allongez complètement la poignée et verrouillez les pinces. ■ Réglez la poignée sur l'une des deux positions d'utilisation. ■ Nettoyez le plateau de coupe et assurez-vous que la lame peut bouger librement.
La tondeuse coupe de façon inégale	<ul style="list-style-type: none"> ■ Lame émoussée. ■ La hauteur de coupe n'est pas réglée correctement. ■ La lame n'est pas fixée correctement. 	<ul style="list-style-type: none"> ■ Affûtez ou remplacez la lame. ■ Augmentez la hauteur de coupe du plateau. ■ Remontez la lame, en consultant la section « INSTALLATION DE LA LAME » de ce guide.
La tondeuse s'arrête en cours d'utilisation	<ul style="list-style-type: none"> ■ La batterie est déchargée. ■ La tondeuse est en surcharge. ■ Le plateau de coupe de la tondeuse est obstrué d'herbe et de débris. ■ La batterie ou les circuits de la tondeuse sont trop chauds. (Un voyant orange s'allume sur l'indicateur de mise en marche pendant 10 secondes.) ■ La barre latérale est légèrement rétractée due à la force exercée sur la poignée. 	<ul style="list-style-type: none"> ■ Rechargez la batterie. ■ Augmentez la hauteur de coupe ou ralentissez le rythme de tonte. ■ Nettoyez le plateau de coupe. Augmentez la hauteur ou réduisez la largeur de coupe. ■ Laissez la batterie ou la tondeuse refroidir jusqu'à ce que sa température devienne inférieure à 67°C. ■ Déverrouillez les pinces. Allongez complètement les barres latérales et verrouillez de nouveau les pinces.

PROBLÈME	CAUSE	SOLUTION
La tondeuse ne déchiquette pas correctement	<ul style="list-style-type: none"> ■ Des brins d'herbe mouillés sont collés sous le plateau. ■ La tondeuse est réglée pour couper trop d'herbe. 	<ul style="list-style-type: none"> ■ Attendez que l'herbe sèche avant de la tondre. ■ Augmentez la hauteur de coupe du plateau.
Vibration excessive	<ul style="list-style-type: none"> ■ La lame de coupe n'est pas bien serrée. ■ La lame de coupe n'est pas équilibrée. ■ La lame coupante est déformée ■ Axe du moteur tordu. 	<ul style="list-style-type: none"> ■ Serrez le boulon de lame. ■ Équilibrez la lame en respectant les instructions. ■ Remplacez la lame ■ Communiquez avec le centre de service.
Il est impossible de verrouiller les pinces de verrouillage de la poignée en place	<ul style="list-style-type: none"> ■ Les barres latérales ne sont pas complètement allongées. 	<ul style="list-style-type: none"> ■ Allongez complètement les barres latérales, puis verrouillez les pinces.

GARANTIE

POLITIQUE DE GARANTIE EGO

Rendez-vous sur le site Internet egopowerplus.com pour consulter les termes et conditions complets de la politique de garantie EGO.

KEES VAN DER SPEK
TUINMACHINES • STOLWIJK

LEA TODAS LAS INSTRUCCIONES!



LEER EL MANUAL DEL USUARIO

ES

⚠ Riesgo residual! Aquellas personas con implantes electrónicos, tales como marcapasos, deberán consultar a su médico antes de utilizar este producto. La utilización de equipos eléctricos a proximidad de un marcapasos podría causar en este interferencias o averías.

⚠ ADVERTENCIA: Para garantizar la seguridad y fiabilidad de la herramienta, confíe cualquier reparación y sustitución de piezas que sea necesaria a personal técnico cualificado.

Uso previsto y uso indebido previsible: El producto está previsto para cortar el césped únicamente en jardines particulares. No debe usarse para segar e césped excesivamente alto, seco o la hierba mojada, por ejemplo pastos, ni para triturar hojas. El producto debe utilizarse únicamente para el fin previsto. Cualquier otro uso se considerará uso indebido.

SÍMBOLOS RELACIONADOS CON LA SEGURIDAD

El propósito de los símbolos de seguridad es el de atraer su atención hacia los posibles peligros que conlleva la utilización del producto. Los símbolos de seguridad y las explicaciones que los acompañan requieren su máxima atención y comprensión. Por sí solos, los símbolos de advertencia no eliminan los posibles peligros que pudieran existir. Las instrucciones y advertencias que aquí se incluyen no son sustitutas en modo alguno de las medidas de prevención adecuadas que deben tomarse para evitar posibles accidentes.

⚠ ADVERTENCIA: Antes de utilizar esta herramienta, asegúrese de haber leído y entendido perfectamente todas las instrucciones incluidas en este Manual del usuario, incluidos todos los símbolos de aviso sobre seguridad, tales como **"PELIGRO"**, **"ADVERTENCIA"** y **"PRECAUCIÓN"**. De no observarse todas las instrucciones proporcionadas a continuación podría existir un riesgo de incendio, electrocución, así como de lesiones físicas graves.

SIGNIFICADO DE LOS DISTINTOS SÍMBOLOS





SÍMBOLO DE AVISO DE SEGURIDAD: señala algún tipo de **PELIGRO**, **ADVERTENCIA** o **PRECAUCIÓN** a tener en cuenta. Este símbolo podrá utilizarse de manera conjunta con otros símbolos o pictogramas.


⚠ ADVERTENCIA: Es posible que, cuando se utilizan herramientas eléctricas, salgan despedidos objetos que podrían causar lesiones oculares severas si no se utiliza equipo de protección personal adecuado. Antes de empezar a usar herramientas eléctricas, póngase siempre gafas de seguridad, gafas con cristales anti-impacto que cuenten con pantallas de protección lateral, o bien una máscara facial que proteja completamente la cara. Recomendamos la utilización de máscaras de seguridad de amplia visión que pueden utilizarse encima de gafas graduadas, o bien gafas normales de seguridad equipadas con pantallas laterales.

INSTRUCCIONES RELACIONADAS CON LA SEGURIDAD

Esta página muestra y describe los símbolos de seguridad que puede haber en este producto. Asegúrese de leer, entender perfectamente y observar todas las instrucciones estampadas o proporcionadas con el producto antes de proceder a su montaje y utilización.

	<p>Aviso de seguridad</p>	<p>Se trata de precauciones relacionadas con su seguridad.</p>
	<p>Utilizar protección ocular</p>	<p>Utilice siempre utilice gafas de seguridad, gafas con cristales anti-impacto que cuenten con pantallas de protección lateral, o bien una máscara facial que proteja completamente la cara cuando se sirva de este producto.</p>
	<p>Leer el Manual del usuario</p>	<p>Para reducir en lo posible el riesgo de lesiones, será necesario leer y entender perfectamente el Manual del usuario antes de proceder a utilizar este producto.</p>

	Tener cuidado con la cuchilla, ya que está muy afilada.	La cuchilla sigue girando durante unos instantes tras haber apagado el motor - Accione el dispositivo de bloqueo o corte de alimentación del motor antes de proceder a efectuar tareas de mantenimiento en la herramienta. Desconecte y retire el acumulador recargable (o accione el dispositivo de bloqueo o corte de alimentación) antes de efectuar ajustes o limpiar la herramienta.
	Mantener a terceros apartados de la zona donde se esté utilizando la herramienta	Asegúrese de que las personas y los animales domésticos se mantengan a una distancia de seguridad prudente de al menos 30 metros de la zona donde se esté utilizando el cortacésped.
	Protección de la carcasa perteneciente a la Clase II	Carcasa con doble aislamiento.
IPX4	Símbolo de tipo de protección IP	Protección de nivel 4 contra la penetración de agua
V	Voltios	Tensión
A	Amperios	Corriente
Hz	Hercios	Frecuencia (ciclos por segundo)
W	Vatios	Potencia eléctrica
min	Minutos	Tiempo
	Corriente alterna	Tipo de corriente

	Corriente continua	Tipo o característica de la corriente
n_0	Velocidad en vacío	Velocidad de giro, sin carga
.../min	Por minuto	Revoluciones por minuto

PAUTAS DE SEGURIDAD PARA CORTACÉPES QUE FUNCIONAN A BATERÍA

⚠ PELIGRO! Esta herramienta ha sido diseñada para utilizarse conforme a las pautas de uso seguro incluidas en este manual. Al igual que sucede con cualquier equipo eléctrico o neumático, cualquier descuido o error por parte del usuario puede dar lugar a lesiones físicas graves. Esta herramienta puede provocar lesiones en manos y pies, así como lanzar objetos. De no observarse estas instrucciones de seguridad, podrían sufrirse lesiones graves o incluso mortales.

⚠ ADVERTENCIA: Cuando se utilicen cortacéspedes inalámbricos, deberán adoptarse siempre ciertas precauciones de seguridad básicas a fin de reducir posibles riesgos de incendio, electrocución y lesiones físicas.

IMPORTANTE

LEA DETENIDAMENTE TODAS LAS INSTRUCCIONES ANTES DE UTILIZAR LA HERRAMIENTA. CONSERVE ESTA INFORMACIÓN COMO REFERENCIA FUTURA.

PAUTAS DE SEGURIDAD PARA CORTACÉPES A BATERÍA

PRECAUCIÓN! ¡NO TOQUE LA CUCHILLA GIRATORIA!

FORMACIÓN

- Lea detenidamente las instrucciones proporcionadas. Familiarícese con los mandos, así como con la manera correcta de utilizar su herramienta.
- Nunca permita que niños o aquellas personas que no estén familiarizadas con estas instrucciones utilicen la herramienta. En algunos casos, es posible que la legislación local estipule una edad mínima para poder utilizar este tipo de herramientas.
- Nunca utilice el cortacésped cuando haya cerca otras personas, especialmente niños, o mascotas.
- El operario o usuario de la herramienta será responsable de cualquier accidente o peligro que su utilización pudiera suponer para otras personas o bienes de terceros.

PREPARATIVOS PRELIMINARES

- Lleve siempre calzado robusto y pantalones largos cuando utilice el cortacésped.
- No utilice la herramienta cuando vaya descalzo o lleve puestas sandalias abiertas. Evite llevar ropa holgada o con de la que cuelguen cordones o cintas.
- Examine minuciosamente la zona donde vaya a utilizarse la herramienta y elimine piedras, ramas, cables, huesos o cualquier objeto que pudiera salir despedido durante la utilización de la herramienta.
- Antes de utilizar la herramienta, examine las cuchillas, sus tornillos y el conjunto del sistema de corte por si presentasen desgaste o daños. Sustituya simultáneamente la cuchilla dañada o desgastada con sus tornillos para mantener así el equilibrado correcto del conjunto. Asimismo, sustituya cualquier etiqueta dañada o ilegible.

UTILIZACIÓN

- Utilice el cortacésped solo a plena luz del día o cuando se cuente con iluminación artificial adecuada.
- Siempre que sea posible, evite utilizar la herramienta para cortar hierba húmeda.
- Asegúrese siempre de tener los pies firmemente apoyados sobre el suelo cuando utilice la herramienta en pendientes o terreno con desniveles.
- Desplácese lentamente mientras utiliza la herramienta; nunca corra.
- En el caso de cortacéspedes rotativos con ruedas, corte la hierba desplazándose perpendicularmente a la pendiente y no cuesta arriba o cuesta abajo.
- Extreme los cuidados al cambiar de dirección mientras utiliza la herramienta en pendientes.
- No corte el césped en terrenos excesivamente inclinados.
- Extreme la precaución al retroceder o al tirar hacia usted de la herramienta.
- Detenga el funcionamiento de la cuchilla en caso de que sea necesario volcar el cortacésped para transportarlo, así como al atravesar superficies que no sean de hierba y al transportarlo hasta y desde su lugar de uso.
- Nunca utilice la herramienta con sus guardas de protección dañadas o sin sus dispositivos de seguridad instalados, como por ejemplo, sin deflectores o sin el recogedor de hierba en su lugar.
- Arranque el motor con cuidado, observando las instrucciones proporcionadas y asegurándose de mantener los pies bien apartados de la cuchilla o cuchillas.
- No incline la herramienta mientras arranca el motor, a menos que sea estrictamente necesario inclinarla

para poder ponerla en marcha. En ese caso, no incline la herramienta más de lo absolutamente necesario y eleve únicamente la parte que queda más alejada del usuario. Asegúrese siempre de colocar ambas manos en la posición de utilización de la herramienta antes de volver a apoyarla en el suelo.

- No ponga en marcha la máquina estando delante de la tobera de descarga.
- No coloque manos o pies cerca o debajo de los elementos en rotación. En el caso de cortacéspedes rotativos, manténgase apartado en todo momento de su tobera de descarga.
- Nunca levante ni transporte una herramienta con el motor en marcha.
- Desconecte y retire el acumulador recargable (o accione el dispositivo de bloqueo o corte de alimentación) y asegúrese de que todas las piezas móviles se hayan parado completamente antes de hacer ajustes o limpiar la herramienta:
 - siempre que vaya a dejar la herramienta;
 - antes de eliminar un bloqueo o desatascar la descarga;
 - antes de comprobar, limpiar o llevar a cabo cualquier operación en la herramienta;
 - tras haber golpeado algún objeto extraño con el elemento de corte; En tal caso, examine la herramienta por si hubiera sufrido daños y efectúe las reparaciones que sean necesarias.
- En caso de que se produzcan vibraciones anormales en la herramienta (verifique inmediatamente):
 - compruebe la posible existencia de daños;
 - sustituya o repare cualquier pieza dañada;
 - compruebe y reapriete cualquier elemento suelto.

MANTENIMIENTO Y ALMACENAMIENTO

- Al efectuar ajustes, extreme las precauciones para evitar atraparse los dedos entre la cuchilla rotativa y los elementos fijos de la herramienta.
- Asegúrese de que todas las tuercas, fijaciones y tornillos estén correctamente apretados para garantizar que la herramienta se encuentre en perfectas condiciones de funcionamiento seguro.
- Compruebe frecuentemente el recogedor de hierba para determinar la posible existencia de desgaste o deterioro.
- Por razones de seguridad, sustituya aquellas piezas que presenten cualquier tipo de desgaste o daños.
- Los niños no deben hacer sin supervisión los trabajos de limpieza y mantenimiento del aparato.
- Cuando realice tareas de mantenimiento en las cuchillas, tenga en cuenta que, a pesar de haber apagado la fuente de corriente, las cuchillas pueden seguir girando.

- En el caso de cortacéspedes rotativos, asegúrese de utilizar únicamente el tipo correcto de cuchilla de recambio.

■ SEGURIDAD PERSONAL

Podrían producirse accidentes trágicos si el usuario no se percata de la presencia de niños en la zona donde está utilizando la herramienta. Los niños suelen sentir curiosidad tanto por el cortacésped como por la operación de corte de hierba. No siempre son conscientes de los peligros implicados. Nunca asuma que los niños permanecerán en el mismo lugar donde los haya visto anteriormente.

- Mantenga a los niños apartados de la zona donde se está cortando la hierba y asegúrese de que estén supervisados por un adulto responsable que no sea el usuario.
- Manténgase alerta y apague el cortacésped en cuanto algún niño penetre en la zona donde se está utilizando la herramienta.
- Preste particular atención al aproximarse a esquinas sin visibilidad, entradas, arbustos, árboles u otros objetos que puedan impedirle percatarse de la presencia de algún niño que pudiese correr hacia el cortacésped.
- Hay que vigilar a los niños para asegurarse de que no jueguen con el cortacésped.
- Apague siempre el cortacésped antes de sacar el acumulador de la herramienta. Detenga el funcionamiento de la cuchilla en caso de que sea necesario volcar el cortacésped para transportarlo, así como al atravesar superficies que no sean de hierba y al transportarlo hasta y desde su lugar de uso.

UTILIZACIÓN

FUNCIONAMIENTO GENERAL:

- Lea detenidamente y en su totalidad de este manual del usuario antes de intentar montar esta herramienta. Asegúrese de leer, entender perfectamente y observar todas las instrucciones estampadas en la herramienta o proporcionadas en el manual antes de proceder a su utilización. Antes de servirse de la herramienta, familiarícese plenamente con sus mandos; así como con la manera correcta y segura de utilizarla. Conserva este manual en un lugar seguro para poder consultarlo en otra ocasión y a modo de referencia para solicitar piezas de repuesto.
- Use siempre la herramienta correcta para el trabajo a realizar. No utilice el cortacésped para ninguna otra operación que no sea la prevista.
- No se estire demasiado para alcanzar lugares de difícil acceso. Mantenga en todo momento un buen equilibrio y los pies firmemente apoyados en el suelo.
- Los objetos golpeados por la cuchilla del cortacésped podrían salir despedidos y provocar lesiones graves a las personas. Asegúrese siempre de examinar minuciosamente el césped y retirar cualquier objeto extraño antes de proceder a utilizar el cortacésped.

- Antes y mientras se desplaza hacia atrás con el cortacésped, compruebe que detrás de usted no haya niños pequeños ni otras personas.
- Esta herramienta no es un juguete. Por lo tanto, extreme las precauciones en todo momento. Su herramienta ha sido diseñada exclusivamente para efectuar un trabajo: cortar la hierba. No la utilice para cualquier otro propósito distinto al aquí descrito.
- No fuerce el cortacésped. La herramienta realizará el trabajo mejor y de manera más segura utilizándola a la velocidad para la que ha sido diseñada.
- Antes de utilizar la herramienta, examine las cuchillas, sus tornillos y el conjunto del sistema de corte por si presentan desgaste o daños. Sustituya simultáneamente cualquier cuchilla dañada junto con sus tornillos y demás componentes a fin de garantizar el buen equilibrio del conjunto. Asimismo, sustituya cualquier etiqueta dañada o ilegible.
- Extreme la precaución al retroceder o al tirar hacia usted de la herramienta.
- Examine minuciosamente la zona donde vaya a utilizarse la herramienta. Retire todas las piedras, ramas, alambres, juguetes y demás objetos extraños que podría suponer un riesgo de tropiezo o ser golpeado por la cuchilla y salir despedido con fuerza. Los objetos lanzados por la acción de la herramienta podrían causar lesiones físicas graves. Planifique su recorrido para evitar la descarga de material hacia la calzada, aceras y otras personas que se encuentren cerca. Evite también el lanzamiento de objetos hacia paredes u obstáculos desde donde puedan rebotar y golpear al usuario.
- Para evitar cualquier riesgo de contacto con la cuchilla o de sufrir lesiones debido a objetos despedidos por esta, el usuario deberá permanecer siempre detrás del manillar de la herramienta y mantener a los niños u otras personas y a las mascotas apartados a una distancia mínima de 30m del cortacésped mientras esté en uso. Detenga inmediatamente la herramienta en cuanto alguien penetre en la zona donde se está utilizando.
- Utilice siempre gafas de seguridad o gafas con cristales anti-impacto que cuenten con pantallas de protección lateral mientras se sirve de la herramienta, así como al efectuar reparaciones en esta. Cualquier objeto que pudiera salir despedido y rebotar podría ocasionar lesiones oculares graves. Utilice siempre una mascarilla antipolvo o un aparato de protección respiratoria si el trabajo efectuado es propenso a generar polvo.
- Utilice ropa adecuada. No lleve puesta ropa holgada ni joyas. Existe el peligro de que pudieran quedar atrapadas en las partes móviles de la herramienta. Se recomienda utilizar de guantes de goma y calzado adecuado cuando trabaje al aire libre. Utilice botas o zapatos de trabajo robustos con suelas gruesas, así como pantalones y camisas ajustados. Se recomienda utilizar camisas de mangas largas y pantalones largos,

así como zapatos o botas con punteras de acero. Nunca utilice esta herramienta yendo descalzo, llevando puestas sandalias abiertas o utilizando calzado liviano o de escaso agarre (por ejemplo, zapatillas de lona).

- No ponga las manos o los pies cerca de las piezas giratorias del cortacésped ni debajo de la plataforma de corte. Cualquier contacto accidental con la cuchilla podría provocar lesiones graves en las manos o los pies.
- En caso de que la tapa de la tobera de descarga esté dañada o ausente, existirá el riesgo de contacto con la cuchilla o de sufrir lesiones debido a los objetos que pudieran salir despedidos por esta.
- Muchas las lesiones sufridas en los pies al utilizar un cortacésped se producen como resultado de algún tropiezo o resbalón. No se agarre al cortacésped en caso de sufrir una caída. Suelte inmediatamente el manillar.
- Nunca tire del cortacésped hacia atrás en dirección a usted mientras camina. Si tuviera que retroceder con el cortacésped tras haber alcanzado una pared o un obstáculo, mire primero hacia abajo y detrás de usted para evitar tropezar, y a continuación proceda como sigue:
 - Dé un paso hacia atrás para alejarse del cortacésped y poder extender totalmente los brazos.
 - Asegúrese de mantener un buen equilibrio y los pies firmemente apoyados en el suelo.
 - Tire lentamente del cortacésped hacia atrás, pero tan solo hasta una distancia equivalente a la mitad de la longitud de sus brazos.
 - Repita estos pasos las veces que sean necesarias.
- No utilice el cortacésped si se encuentra bajo los efectos de alcohol o drogas.
- Nunca utilice la herramienta con sus guardas de protección dañadas o sin sus dispositivos de seguridad instalados, como por ejemplo, sin deflectores o sin el recogedor de hierba en su lugar.
- Manténgase alerta y preste atención a lo que hace. Utilice su sentido común. No utilice el cortacésped si está cansado.
- La palanca de control del motor (cuchilla) es un dispositivo de seguridad. Nunca implemente modificaciones que pudieran impedir su funcionamiento correcto. De lo contrario, el dispositivo de seguridad no funcionaría como es debido y podría sufrir lesiones físicas como consecuencia del contacto con la cuchilla en rotación. La palanca de control del motor (cuchilla) deberá desplazarse fácilmente en ambas direcciones y regresar automáticamente a su posición de desactivación al soltarla.
- Evite los entornos particularmente peligrosos. No utilice el cortacésped en hierba mojada o excesivamente húmeda.
- Tampoco lo utilice bajo la lluvia.
- Asegúrese siempre de tener los pies firmemente apoyados sobre el suelo. Cualquier resbalón o caída podría ocasionar lesiones físicas graves. Si nota que pierde el equilibrio, suelte inmediatamente la palanca de control del motor (cuchilla) y la cuchilla dejará de girar al cabo de tres segundos.
- Detenga la cuchilla al cruzar con el cortacésped superficies de grava, caminos, calles, carreteras, etc.
- De observarse vibraciones anormales en la herramienta, apague el motor e investigue inmediatamente la causa. Las vibraciones suelen ser indicativo de alguna anomalía.
 - Compruebe la posible existencia de daños;
 - sustituya o repare cualquier pieza defectuosa o dañada;
 - compruebe y reapriete cualquier elemento suelto.
- Nunca utilice el cortacésped sin el faldón trasero, la tapa de la tobera de descarga, la bolsa colectora de hierba, el adaptador para triturado, la tolva de descarga lateral, la palanca de control del motor (cuchilla) o cualquier otro dispositivo de seguridad correctamente instalado en su sitio y en perfectas condiciones de funcionamiento. Nunca utilice el cortacésped si alguno de sus dispositivos de seguridad está dañado. De lo contrario, podrían producirse lesiones graves.
- De darse alguna situación que no estuviera cubierta en este manual, asegúrese de actuar con cuidado y buen juicio. Póngase en contacto con el departamento de atención al cliente de EGO en caso de que necesite asistencia al respecto.
- Utilice únicamente los modelos de acumuladores y cargadores indicados a continuación:

ACUMULADOR	CARGADOR
BA1120E, BA2240E, BA2800, BA3360, BA4200	CH5500E, CH2100E

- Deberá retirarse el acumulador de la herramienta antes de proceder a su eliminación.
- El acumulador deberá eliminarse de manera segura.

UTILIZACIÓN DE LA HERRAMIENTA EN PENDIENTES:

Las pendientes son un factor de riesgo importante a la hora de sufrir accidentes tales como resbalones y caídas que pueden resultar en lesiones graves. Asegúrese siempre de tener los pies firmemente apoyados sobre el suelo cuando utilice la herramienta en pendientes o terreno con desniveles. La utilización del cortacésped en pendientes requiere siempre extremar las precauciones. Si se siente inseguro en una pendiente, no utilice el cortacésped en ella.

Proceda como sigue:

- Corte el césped desplazándose perpendicularmente a la pendiente y nunca cuesta arriba o cuesta abajo. Extremar los cuidados al cambiar de dirección mientras utiliza la herramienta en pendientes.
- Preste atención a la existencia de socavones, roderas, piedras, objetos ocultos o bultos que puedan hacerle resbalar o tropezar. La hierba alta puede ocultar obstáculos.

Evite lo siguiente:

- No corte el césped cerca de precipicios, zanjas o terraplenes, ya que podría perder pie o el equilibrio.
- No corte el césped en pendientes de más de 15 grados.
- No corte hierba mojada. Una posición inestable de los pies puede provocar resbalones.

REPARACIONES



⚠ ADVERTENCIA: Los componentes de la bolsa colectora de hierba, así como la tapa de la tobera de descarga, la tolva de descarga lateral, el adaptador para trituradora y el faldón trasero pueden sufrir daños y desgaste, que podrían dejar expuestas las piezas móviles o permitir que salga despedido algún objeto, aumentando el riesgo de lesiones. Por su propia seguridad, compruebe con frecuencia todos los componentes y, de presentar daños, sustitúyalos inmediatamente por piezas de repuesto idénticas, cuyas referencias se incluyen en este manual. Póngase en contacto con el departamento de atención al cliente o servicio de asistencia técnica EGO más cercano. Las reparaciones o sustituciones deberá efectuarlas un técnico cualificado.

- Si el interruptor de protección incorporado en el cortacésped se activa con frecuencia, póngase en contacto con el departamento de atención al cliente o el servicio de asistencia técnica de EGO más cercano.
- No limpie el cortacésped utilizando una manguera. Evite que penetre agua en el motor o en las conexiones eléctricas.
- Retire la llave de seguridad y almacene el cortacésped apagado en interiores cuando no esté en uso. Espere a que el motor se haya enfriado antes de guardarlo en algún espacio cerrado. El cortacésped deberá almacenarse en un lugar seco, elevado o cerrado con llave, fuera del alcance de niños.
- Al efectuar reparaciones, utilice únicamente recambios idénticos a las referencias de pieza incluidas en este manual. La utilización de recambios que no cumplan las especificaciones de los equipos originales podría dar lugar a un funcionamiento incorrecto y comprometer la seguridad de la herramienta.
- Retire o desconecte el acumulador antes de llevar a cabo cualquier operación de mantenimiento, limpieza o sustitución de piezas en el cortacésped.
- Siga las instrucciones de cambio de accesorios indicadas.
- Mantenga las empuñaduras de la herramienta secas, limpias y libres de aceite y grasa.
- Para reducir el riesgo de incendio, mantenga la tapa del motor libre de hierba, hojas y suciedad.
- Compruebe a intervalos periódicos los tornillos de fijación de la cuchilla y del motor para asegurarse de que están correctamente apretados. Asimismo, examine visualmente la cuchilla por si presentara daños (por ejemplo, deformación, grietas o desgaste). Tan solo sustituya la cuchilla por otra idéntica a la original, cuya referencia se incluye en este manual.
- Efectúe el mantenimiento que sea necesario en su cortacésped. Mantenga la cuchilla bien afilada y limpia a fin de garantizar un funcionamiento más eficaz y seguro de su cortacésped. La cuchilla del cortacésped está muy afilada y puede provocar cortes. Envuelva la cuchilla en un paño o bien utilice guantes y extermine las precauciones al manipularla para su revisión.
- Nunca retire, modifique o anule los dispositivos de seguridad. Compruebe periódicamente su funcionamiento correcto. Nunca lleve a cabo modificaciones que interfieran con el funcionamiento previsto de los dispositivos de seguridad o reduzcan el nivel de protección que ofrecen.
- Apague siempre el motor antes de ajustar una rueda a la altura de corte.
- En caso de haber golpeado un objeto extraño, apague el motor, retire la llave de seguridad y examine minuciosamente el cortacésped por si presentase daños. Repare cualquier daño antes de volver a utilizar el cortacésped.
- Limpie o sustituya las etiquetas de instrucciones o seguridad cuando sea necesario. Póngase en contacto con el departamento de atención al cliente o servicio de asistencia técnica EGO más cercano. Las reparaciones o sustituciones deberá efectuarlas un técnico cualificado.
- **CONSERVE ESTAS INSTRUCCIONES.** Consúltelas con frecuencia y utilícelas para instruir a aquellas otras personas que vayan a usar esta herramienta. En caso de prestar esta herramienta a terceros, proporciónelas también estas instrucciones a fin de evitar su uso incorrecto y posibles riesgos de lesiones.

UTILIZACIÓN Y CUIDADO DEL ACUMULADOR DE LA HERRAMIENTA

- Para contribuir a la conservación de los recursos naturales, recicle o elimine el acumulador correctamente. Esta herramienta incluye un acumulador de ion de litio. Las normativas nacionales o locales prohíben la eliminación de los acumuladores de ion de litio junto con los desperdicios domésticos. Consulte a su empresa municipal de recogida de basuras para obtener información acerca de las opciones disponibles para el reciclaje y/o la eliminación de este tipo de materiales.
- Tras retirar el acumulador a fin de proceder a su eliminación o reciclaje, cubra sus terminales con cinta adhesiva reforzada. No intente destruir o desmontar el acumulador, ni retirar ninguno de sus componentes. Los acumuladores de ion de litio deberán reciclarse o eliminarse de la manera adecuada. Además, evite tocar los terminales del acumulador con objetos metálicos o con elementos de la carcasa de la herramienta, ya que podría provocar un cortocircuito. Manténgalo fuera del alcance de niños. De ignorarse estas advertencias, aumentará el riesgo de incendio, electrocución, así como de sufrir lesiones físicas graves.
- **EN CONDICIONES DE USO INTENSIVO, ES POSIBLE QUE SE PRODUZCA UNA FUGA DE ÁCIDO DE LOS ACUMULADORES. EVITE CUALQUIER CONTACTO CON DICHO ELECTRÓLITO. DE PRODUCIRSE CUALQUIER CONTACTO ACCIDENTAL, ENJUAGUE LA ZONA CORPORAL AFECTADA CON ABUNDANTE AGUA. SI EL ELECTRÓLITO LLEGARA A PENETRAR EN LOS OJOS, DEBERÁ SOLICITARSE ATENCIÓN MÉDICA URGENTE.** El líquido emanado del acumulador podría causar irritación o quemaduras.

ESPECIFICACIONES

Número de modelo	LM2120E	LM2120E-SP
Sistema de autopropulsión	No	Sí
Tensión	56 V 	56 V 
Velocidad en vacío	2800 /min	2800 /min
Altura de corte	28-94 mm	28-94 mm
Posiciones de ajuste de la altura de corte	6	6
Tamaño de la plataforma de corte	53 cm	53 cm
Anchura de corte	52 cm	52 cm
Capacidad de la bolsa colectora de hierba	70 L	70 L

Peso del cortacésped (sin acumulador)	22,10 kg	24,55 kg	
Modelo de cuchilla	AB2101	AB2101	
Nivel de potencia acústica ponderado L_{WA} $K=2$ dB(A)	89,9 dB(A)	89,5 dB(A)	
Nivel de presión acústica medido a la altura del oído del usuario L_{PA} $K=3$ dB(A)	87 dB(A)	87 dB(A)	
Nivel de potencia acústica garantizado L_{WA} (según 2000/14/CE)	92 dB(A)	92 dB(A)	
Nivel de vibraciones a_h $K=1,5$ m/s ²	Empuñadura izquierda	≤ 2,5 m/s ²	≤ 2,5 m/s ²
	Empuñadura derecha	≤ 2,5 m/s ²	≤ 2,5 m/s ²
Freno de la cuchilla	Sí	Sí	

- El nivel total de vibraciones especificado ha sido medido conforme al método de prueba estándar empleado en la industria y puede utilizarse para efectuar comparaciones entre herramientas.
- Asimismo, el nivel total de vibraciones declarado podrá utilizarse para efectuar una evaluación preliminar de la exposición del usuario a los niveles de vibración generados por la herramienta.

AVISO: Las vibraciones generadas durante el uso real de la herramienta eléctrica podrán diferir del valor declarado en función de la manera en que se utilice. A modo de protección, el usuario deberá utilizar guantes y protectores auditivos en condiciones reales de uso.

LISTA DE EMBALAJE

DENOMINACIÓN DE PIEZA	CANTIDAD
Cortacésped	1
Bolsa colectora de hierba	1
Bastidor de la bolsa colectora de hierba	1
Adaptador para triturado	1
Llave de seguridad	2
Manual del usuario	1

DESCRIPCIÓN

FAMILIARÍCESE CON EL CORTACÉSPED (fig. A, B y C)

1. Botón de seguridad
2. Gatillo de autopropulsión
3. Abrazadera de bloqueo del tubo del manillar
4. Trampilla de descarga trasera
5. Empuñadura trasera
6. Tapa del acumulador
7. Faros tipo LED
8. Empuñadura delantera
9. Rueda delantera
10. Palanca de ajuste de la altura de corte
11. Plataforma de corte
12. Rueda trasera
13. Bolsa colectora de hierba
14. palanca de ajuste rápido
15. Tubo lateral
16. Palanca de control de la velocidad de la autopropulsión
17. Interruptor del embrague (palanca de conmutación)
18. Manillar
19. Adaptador para triturado
20. Soporte para almacenamiento en posición vertical
21. Faldón trasero
22. Conmutador de los faros tipo LED
23. Testigo de indicación de carga

UTILIZACIÓN

MONTAJE DE LA BOLSA COLECTORA DE HIERBA

- 1) Deslice la bolsa colectora en los tubos superiores de su bastidor (fig. D).
- 2) Enganche las grapas superiores en el bastidor (fig. E) y, a continuación, enganche las dos grapas laterales. Enganche por último la grapa inferior.
- 3) La bolsa colectora de hierba totalmente montada se muestra en la fig. F.

AVISO: En condiciones normales de uso, el material de la bolsa estará sujeto a desgaste. Para reducir posibles riesgos de lesiones, examine con frecuencia el conjunto de la bolsa y sustituya los elementos necesarios en caso de observarse cualquier indicio de desgaste o deterioro. Utilice únicamente bolsas colectoras fabricadas para este cortacésped.

AJUSTE DEL MANILLAR PLEGABLE

⚠ ADVERTENCIA: No intente poner en marcha el cortacésped hasta que el manillar esté correctamente bloqueado en una de sus tres posiciones de uso predeterminadas (POSICIÓN ELEVADA MÁXIMA PARA UTILIZACIÓN NORMAL DE LA HERRAMIENTA, POSICIÓN MEDIA PARA UTILIZACIÓN NORMAL DE LA HERRAMIENTA o POSICIÓN ELEVADA MÍNIMA PARA UTILIZACIÓN NORMAL DE LA HERRAMIENTA).

El cortacésped se suministra con el manillar en su posición plegada y BLOQUEADA PARA EL ALMACENAMIENTO (fig. G).

- 1) Mantenga presionada la palanca de ajuste rápido para liberar el manillar de su POSICIÓN BLOQUEADA PARA EL ALMACENAMIENTO (fig. H-1).
- 2) Levante el manillar de la posición plegada, y a continuación suelte la palanca. Con suavidad, eleve el manillar hasta que suene un chasquido y se note que el pasador de bloqueo ha encajado una de las distintas posiciones (fig. H).
 - POSICIÓN PARA PODER COLOCAR O RETIRAR LA BOLSA COLECTORA DE HIERBA (fig H-2)
 - POSICIÓN ELEVADA MÁXIMA PARA UTILIZACIÓN NORMAL DE LA HERRAMIENTA (fig. H-3).
 - POSICIÓN MEDIA PARA UTILIZACIÓN NORMAL DE LA HERRAMIENTA (fig. H-4).
 - POSICIÓN ELEVADA MÍNIMA PARA UTILIZACIÓN NORMAL DE LA HERRAMIENTA (fig. H-5).

CÓMO COLOCAR O RETIRAR LA BOLSA COLECTORA DE HIERBA/EL ADAPTADOR PARA TRITURADO

⚠ ADVERTENCIA: Nunca proceda a efectuar ajustes en el cortacésped sin detener primero el motor, quitar la llave de seguridad y esperar a que la cuchilla deje de girar.

AVISO: Instale todos los accesorios en el cortacésped antes de utilizarlo.

- **Cómo instalar o retirar la bolsa colectora de hierba (fig. I)**

AVISO: Retire el adaptador para triturado preinstalado en el cortacésped antes de colocar la bolsa colectora de hierba.

- **Cómo colocar o retirar el adaptador para triturado (fig. J)**

AJUSTE DE LA ALTURA DE CORTE (fig. K)

⚠ ADVERTENCIA: Mantenga los pies apartados de la plataforma de corte al ajustar la altura. El cortacésped podrá ajustarse a 5 alturas de corte diferentes, entre 28 mm y 94 mm. Seleccione la altura de corte adecuada según el tipo y estado de la hierba.

ES

AVISO: Al desplazar la herramienta entre ubicaciones distintas para cortar el césped, asegúrese de ajustar la altura de corte a la posición 3 o más elevada. De lo contrario, podría llegar a dañar la cuchilla.

CONEXIÓN/DESCONEXIÓN DEL ACUMULADOR (fig. L)

RECARGAR ANTES DEL PRIMER USO.

⚠ ADVERTENCIA: Si alguna pieza falta o está rota, no intente conectar el acumulador al cortacésped ni ponerlo en marcha hasta haber sustituido las piezas rotas o instalado las que faltan. De ignorarse esta advertencia, podrían producirse lesiones físicas graves.

■ Conexión

Introduzca el acumulador en el compartimento del acumulador hasta oír un “clac”.

■ Desconexión

Pulse el botón de liberación del acumulador en el compartimento del acumulador.

Fig. L, ver abajo la descripción de las piezas:

L-1	Ranura para la llave de seguridad
L-2	Llave de seguridad
L-3	Botón de liberación del acumulador

AVISO: Asegúrese de que el pestillo de enganche del acumulador en el cortacésped haya encajado en su sitio y de que el acumulador esté firmemente sujeto en el compartimento antes de poner en marcha el cortacésped.

PUESTA EN MARCHA Y PARADA DEL CORTACÉSPED

⚠ ADVERTENCIA: Es posible que, al utilizar el cortacésped, salgan despedidos objetos que podrían causar lesiones oculares graves al usuario y a otras personas. Por lo tanto, utilice siempre gafas de seguridad cuando utilice el cortacésped, así como al efectuar en este cualquier ajuste o reparación.

⚠ ADVERTENCIA: No utilice el cortacésped bajo la lluvia.

⚠ ADVERTENCIA: Asegúrese de que las personas y los animales domésticos se mantengan a una distancia de seguridad prudente de al menos 30 metros de la zona donde se esté utilizando el cortacésped.

⚠ ADVERTENCIA: La cuchilla continúa girando durante unos segundos después de haber apagado el cortacésped. Espere a que el motor o la cuchilla hayan dejado de girar antes de volver a poner en marcha el cortacésped. No ponga en marcha y apague el cortacésped reiteradamente de forma rápida.

NOTA: No será posible poner en marcha el motor si no se cumple lo siguiente:

- El manillar está bloqueado en una de sus posiciones de funcionamiento
- Los tubos laterales están totalmente extendidos (fig. M)
- Ambas abrazaderas verdes de bloqueo del manillar están correctamente cerradas (fig. N).

⚠ PRECAUCIÓN: Nunca implemente modificaciones que pudieran interferir con el funcionamiento correcto del botón de seguridad o del interruptor del embrague.

Puesta en marcha (fig. P)

- 1) Conecte el acumulador al cortacésped, inserte la llave de seguridad en la ranura para la llave y cierre la tapa del acumulador (fig. L).
- 2) tal como se muestra en la fig. O, presione hacia abajo el botón de seguridad.
- 3) Con el botón de seguridad presionado, tire hacia arriba del interruptor del embrague hasta el manillar y suelte el botón de seguridad.

Parada (fig. Q)

- 1) Suelte el interruptor del embrague.
- 2) El freno eléctrico incorporado en el mecanismo automático del embrague detendrá la rotación de las cuchillas en un intervalo máximo de 3 segundos después de haberse soltado el interruptor del embrague.

SISTEMA DE AUTOPROPULSIÓN DE VELOCIDAD VARIABLE

El cortacésped LM2120E-SP está equipado con una función de autopropulsión de velocidad variable. Este sistema es independiente del interruptor de encendido/apagado de la cuchilla; no depende del giro de la cuchilla.

Para utilizar el sistema sin que gire la cuchilla, tire del gatillo de autopropulsión hacia el manillar.

Para apagar la autopropulsión, suelte el gatillo de autopropulsión.

El sistema tiene una velocidad variable. Para aumentar la velocidad, mueva hacia delante la palanca de control de la velocidad de la autopropulsión. Para reducir la velocidad, mueva hacia atrás la palanca de control de la velocidad de la autopropulsión (fig. R).

Para utilizar con la cuchilla girando para cortar:

1. Ponga en marcha el cortacésped.
2. Utilizando la mano izquierda para mantener el interruptor del embrague contra el manillar, tire del gatillo de autopropulsión hacia el manillar con la mano derecha.
3. Con la mano derecha, mantenga al mismo tiempo el interruptor del embrague y el gatillo de autopropulsión contra le manillar, y utilice la mano izquierda para ajustar la palanca de control de la velocidad de la autopropulsión a la velocidad que desee.

AVISO: Al cortar, puede resultar más fácil rodear un objeto, por ejemplo un árbol o plantas, con la autopropulsión apagada.

⚠ ADVERTENCIA: Para reducir el riesgo de lesiones, no realice nunca modificaciones que pudieran impedir el funcionamiento del conmutador o del sistema de autopropulsión. Use la autopropulsión solo para el fin previsto.

FAROS TIPO LED DEL CORTACÉSPED (fig. A-7)

Presione el conmutador (fig. C-22) para encender o apagar los faros tipo LED situados en la parte frontal del compartimento del acumulador.

TESTIGO DE CARGA DEL ACUMULADOR DEL CORTACÉSPED (fig. S)

El cortacésped incorpora un testigo que indica el nivel de carga del acumulador, así como el estado de funcionamiento del cortacésped. El testigo de carga se iluminará cuando la cuchilla esté girando o cuando los faros tipo LED estén encendidos.

Testigo de carga del acumulador en el cortacésped	Significado	Acción
Encendido permanentemente en verde	El cortacésped funciona correctamente; el acumulador posee al menos el 15% de su carga total	No procede
Encendido permanentemente en rojo	Acumulador bajo de carga	Apague el cortacésped y recargue el acumulador

Parpadeando en rojo	El acumulador está casi agotado	Apague el cortacésped y recargue el acumulador
Encendido permanentemente en ámbar	El cortacésped o el acumulador se han sobrecalentado	Retire el acumulador del cortacésped, desplace ambos a un lugar a la sombra y espere como mínimo 15 minutos a que se hayan enfriado lo suficiente
Parpadeando en ámbar	El cortacésped se ha sobrecargado	Ralentice el ritmo de corte o eleve la altura de corte a fin de disminuir la carga a la que se ve sometida la cuchilla.

PROTECCIÓN POR SOBRECARGA DEL CORTACÉSPED

Para evitar condiciones de sobrecarga, no trate de cortar demasiada cantidad de hierba de una sola pasada. Ralentice el ritmo de corte o eleve la altura de corte.

Su cortacésped incorpora un circuito de protección por sobrecarga. Si el cortacésped llegara a sobrecargarse, el motor se parará y el testigo de carga del acumulador parpadeará en ámbar. Retire el acumulador del cortacésped. Compruebe si se ha acumulado hierba debajo de la plataforma y límpiela en caso necesario, y a continuación instale el acumulador y vuelva a arrancar el cortacésped.

PROTECCIÓN POR SOBRECALENTAMIENTO DEL ACUMULADOR

El acumulador genera calor durante su funcionamiento normal. Dicho calor se disipa con mayor lentitud en tiempo cálido. Si la temperatura del acumulador llega a superar los 70°C durante la utilización del cortacésped, el circuito de protección lo apagará inmediatamente a fin de proteger el acumulador de posibles daños. El testigo de carga del acumulador se iluminará permanentemente en ámbar.

Suelte la palanca del interruptor del embalaje, espere a que el acumulador se haya enfriado hasta alcanzar unos 67 °C y vuelva a poner en marcha el cortacésped.

MANTENIMIENTO

⚠ ADVERTENCIA: Para evitar lesiones graves, quite siempre la llave de seguridad del cortacésped antes de limpiarlo, de realiza tareas de mantenimiento o de transportarlo.

⚠ ADVERTENCIA: Cuando efectúe reparaciones en la herramienta, utilice únicamente piezas idénticas a las originales. La utilización de piezas diferentes o no homologadas podría suponer un peligro o causar daños en el producto. Para garantizar la seguridad y fiabilidad de la herramienta, confíe cualquier reparación y sustitución de piezas que sea necesaria a personal técnico cualificado.

LIMPIEZA DEL CORTACÉSPED

Deberá limpiarse la superficie inferior de la plataforma del cortacésped después de cada uso, ya que es propensa a acumulaciones de recorte de hierbas, hojas, suciedad y otros materiales.

Elimine cualquier acumulación de hierba y hojas encima o alrededor del eje de accionamiento (solo LM2120E-SP) o el ventilador del motor (no utilice agua). Limpie el cortacésped con un paño húmedo.

DESMONTAJE/INSTALACIÓN DE LA CUCHILLA

⚠ ADVERTENCIA: Proteja siempre sus manos utilizando guantes gruesos o envolviendo los filos cortantes en paños u otros materiales cuando lleve a cabo cualquier operación de mantenimiento en la cuchilla del cortacésped. Retire siempre el acumulador antes de guardar o transportar el cortacésped.

■ Retirada de la cuchilla

Siga la fig. T.

AVISO: Si el tornillo gira con el eje del motor al aflojarlo, gire manualmente el ventilador para alinear los orificios del ventilador con los de la cuchilla, y coloque otra varilla metálica en los orificios alineados (fig. U).

■ Instalación de la cuchilla

Siguiendo el orden de montaje indicado en la fig. V, con la cuchilla de ventilador indicando hacia la plataforma y el lado impreso de la cuchilla hacia fuera, alinee los orificios del ventilador con los orificios de la cuchilla (fig. W) y apriete la cuchilla como se muestra en la fig. X.

Fig. U y V, ver abajo la descripción de las piezas:

U-1	Estabilizador 1	V-2	Brida interior
U-2	Estabilizador 2	V-3	Cuchilla
U-3	Llave de 14 mm	V-4	Brida exterior
V-1	Ventilador	V-5	Tornillo

AVISO: El par de apriete recomendado para el tornillo de la cuchilla es de 49-59Nm.

ALMACENAMIENTO DEL CORTACÉSPED

- Quite el acumulador del cortacésped y guárdelo en un lugar fresco, seco y limpio. No lo guarde junto a materiales corrosivos, tales como fertilizantes o sal gema.
- Almacene su cortacésped en un espacio cubierto, cerrado, fresco y seco, fuera del alcance de niños.
- No cubra el cortacésped con una funda de plástico gruesa. Las fundas de plástico acumulan humedad alrededor del cortacésped, provocando óxido y corrosión.
- El cortacésped se puede guardar verticalmente o plano (fig. Y).

⚠ ADVERTENCIA: Si el cortacésped llegara a volcarse estando en posición vertical, podría sufrir daños o provocar lesiones físicas. Mantenga siempre el cortacésped en un lugar donde no pueda volcarse y fuera del alcance de niños cuando lo almacene en posición vertical. De ser posible, manténgalo en posición horizontal durante su almacenaje.

Protección del medio ambiente



No elimine aparatos eléctricos, cargadores de baterías, acumuladores recargables o baterías junto con los desperdicios domésticos!

Tanto la Directiva europea 2012/19/UE sobre la eliminación de aparatos eléctricos y electrónicos inservibles como la Directiva europea 2006/66/CE sobre la eliminación de baterías o acumuladores defectuosos o agotados estipulan que dichos elementos deben ser objeto de una recogida selectiva.

Si los aparatos eléctricos acabaran tirándose a vertederos o basureros, podrían desprender sustancias perjudiciales que llegarían a contaminar las capas freáticas y entrar en la cadena alimenticia, con el consecuente peligro para la salud y calidad de vida humana.

DECLARACIÓN DE CONFORMIDAD CE

Nosotros, EGO EUROPE GMBH

Wahlwiesenstrasse 1, D-71711 Steinheim an der Murr Deutschland

declaramos que el producto cortacésped inalámbrico de **56V con acumulador de ion de litio LM2120E/LM2120E-SP** cumple los requisitos esenciales sobre salud y seguridad de las directivas siguientes:

2006/42/CE, 2014/30/UE, 2011/65/UE, 2000/14/CE

Normas y especificaciones técnicas consultadas:

EN 60335-1, EN 60335-2-77, EN 62233, EN 55014-1, EN 55014-2

	LM2120E	LM2120E-SP
Nivel de potencia acústica ponderado:	89,9 dB(A)	89,5 dB(A)
Nivel de potencia acústica garantizado:	92 dB(A)	92 dB(A)

El procedimiento de evaluación de la conformidad del Anexo VI se sigue de acuerdo con la directiva 2000/14/CE.

Organismo Notificado: Société Nationale de Certification et d'Homologation

Número del Organismo Notificado: 0499

KEES VAN DER MEK
TUINMACHINES * STOLWIJK

Peter Melrose
Director Ejecutivo de
EGO Europe GmbH

Dong Jianxun
Director de calidad de Chervon

* (representante autorizado de CHERVON y responsable de la documentación técnica)

01/09/2016

SOLUCIÓN DE PROBLEMAS

⚠ ADVERTENCIA: Retire siempre la llave de seguridad y el acumulador antes de efectuar reparaciones en el cortacésped o proceder a transportarlo. Proteja siempre sus manos utilizando guantes gruesos o envolviendo los filos cortantes en paños u otros materiales cuando lleve a cabo cualquier operación de mantenimiento en la cuchilla del cortacésped.

ES

ANOMALÍA	CAUSA	SOLUCIÓN
El cortacésped no se pone en marcha.	<ul style="list-style-type: none"> ■ El acumulador está agotado. ■ El acumulador no está montado en su lugar en el compartimento del acumulador. ■ El acumulador o el circuito del cortacésped se han sobrecalentado. (El testigo de carga del acumulador en el cortacésped permanecerá encendido en ámbar durante 10 segundos) ■ Los tubos laterales no están totalmente extendidos y las abrazaderas no están en su posición bloqueada. ■ El manillar no se encuentra en ninguna de sus dos posiciones de funcionamiento. ■ La plataforma del cortacésped está obstruida con restos de hierba y suciedad. 	<ul style="list-style-type: none"> ■ Recargue el acumulador. ■ Conecte el acumulador al cortacésped y presiónelo hasta oír un clic. ■ Espere a que el acumulador o el cortacésped se hayan enfriado lo suficiente hasta que su temperatura sea inferior a 67°C. ■ Extienda totalmente los tubos laterales del manillar y cierre ambas abrazaderas. ■ Ajuste el manillar a una de sus dos posiciones de funcionamiento. ■ Limpie la plataforma del cortacésped y asegúrese de que la cuchilla gira libremente.
El cortacésped no corta de manera uniforme.	<ul style="list-style-type: none"> ■ La cuchilla está embotada. ■ La altura de corte no está correctamente ajustada. ■ La cuchilla no está correctamente instalada. 	<ul style="list-style-type: none"> ■ Afile o sustituya la cuchilla. ■ Eleve la plataforma a una posición que permita una mayor altura de corte. ■ Vuelva a instalar correctamente la cuchilla. Consulte el apartado titulado "MONTAJE DE LA CUCHILLA" que se incluye en este manual.

ANOMALÍA	CAUSA	SOLUCIÓN
El cortacésped se detiene durante el uso.	<ul style="list-style-type: none"> ■ El acumulador está agotado. ■ El cortacésped está sobrecargado. ■ La plataforma del cortacésped está obstruida con restos de hierba y suciedad. ■ El acumulador o el circuito del cortacésped se han sobrecalentado. (El testigo de carga del acumulador en el cortacésped permanecerá encendido en ámbar durante 10 segundos). ■ Los tubos laterales se han replegado ligeramente debido a la fuerza de empuje ejercida en el manillar. 	<ul style="list-style-type: none"> ■ Recargue el acumulador. ■ Aumente la altura de corte o ralentice su ritmo al cortar la hierba. ■ Retire cualquier acumulación de hierba o suciedad de la plataforma del cortacésped. Aumente la altura de corte o corte una menor anchura de césped. ■ Espere a que el acumulador o el cortacésped se hayan enfriado lo suficiente hasta que su temperatura sea inferior a 67°C. ■ Abra las abrazaderas de bloqueo. Extienda totalmente los tubos laterales y vuelva a cerrar las abrazaderas para bloquearlas.
El cortacésped no tritura correctamente la hierba.	<ul style="list-style-type: none"> ■ Hay recortes de hierba húmeda adheridos en la superficie inferior de la plataforma de corte. ■ El cortacésped está ajustado para cortar una elevada cantidad de hierba en cada pasada. 	<ul style="list-style-type: none"> ■ Espere a que la hierba esté seca antes de cortar el césped. ■ Eleve la plataforma a una posición que permita una mayor altura de corte.
La herramienta vibra en exceso	<ul style="list-style-type: none"> ■ La cuchilla está suelta. ■ La cuchilla está desequilibrada. ■ La cuchilla está doblada. ■ El eje del motor está doblado. 	<ul style="list-style-type: none"> ■ Apriete el tornillo de fijación de la cuchilla. ■ Equilibre la cuchilla según las instrucciones proporcionadas en el manual. ■ Sustituya la cuchilla por otra nueva. ■ Póngase en contacto con el servicio de asistencia técnica.
The handle locking clamps cannot be closed in position.	<ul style="list-style-type: none"> ■ Los tubos laterales no están totalmente extendidos. 	<ul style="list-style-type: none"> ■ Extienda totalmente los tubos laterales y vuelva a cerrar las abrazaderas para bloquearlas.

GARANTÍA

POLITICA DE GARANTÍA EGO

Por favor visite nuestra página web egopowerplus.com para los terminos y las condiciones completas de la política de garantía EGO.

LEIA TODAS AS INSTRUÇÕES!



LEIA O MANUAL DO UTILIZADOR

PT

⚠ Risco residual! As pessoas com dispositivos eletrônicos, como pacemakers, deverão consultar o seu médico antes de utilizarem este produto. A utilização de equipamento elétrico perto de um pacemaker pode causar interferências ou falhas no pacemaker.

⚠ AVISO: Para assegurar a segurança e bom funcionamento, todas as reparações e substituições deverão ser efetuadas por um técnico de reparação qualificado.

Uso pretendido e má utilização previsível: O uso pretendido do produto é o corte de relva, apenas, em jardins domésticos. Não deve ser utilizada para cortar relva anormalmente alta, seca ou húmida, por exemplo, relva para pastagem ou para destruir folhas. O produto só deve ser utilizado para o seu uso pretendido. Qualquer outra utilização será considerada má utilização.

SÍMBOLOS DE SEGURANÇA

O intuito destes símbolos de segurança é chamar a sua atenção para possíveis perigos. Os símbolos de segurança e as explicações apresentadas com eles requerem a sua atenção e compreensão. Os avisos de segurança, só por eles, não eliminam o perigo. As instruções e avisos dados não são substitutos para medidas de prevenção adequadas a acidentes.

⚠ AVISO: Certifique-se de que lê e compreende todos os avisos de segurança neste manual do utilizador, incluindo todos os símbolos de alerta de segurança, como **“PERIGO”**, **“AVISO”** e **“CUIDADO”** antes de usar esta ferramenta. Não seguir todas as instruções apresentadas abaixo pode resultar em choque eléctrico, incêndio e/ou lesões graves.

SIGNIFICADO DOS SÍMBOLOS

SÍMBOLO DE ALERTA DE SEGURANÇA: Indica **PERIGO**, **AVISO** ou **CUIDADO**. Pode ser usado juntamente com outros símbolos ou imagens.

⚠ AVISO: O funcionamento de qualquer ferramenta elétrica pode dar origem ao ressalto de quaisquer objetos estranhos que podem atingir os olhos, podendo dar origem a sérias lesões oculares. Antes de começar a utilizar a ferramenta elétrica, utilize sempre óculos de segurança com proteções laterais e uma proteção completa para o rosto, quando necessário. Recomendamos a utilização de máscaras de segurança com visão panorâmica por cima dos óculos ou óculos de segurança padrão com proteção lateral.

INSTRUÇÕES DE SEGURANÇA

Esta página retrata e descreve os símbolos de segurança que podem aparecer neste produto. Leia, compreenda e siga todas as instruções na máquina antes de a tentar montar e utilizar.

	Alerta de segurança	Precauções que envolvam a sua segurança.
	Utilize proteção ocular	Utilize sempre óculos de segurança com proteção lateral e, se necessário, uma proteção completa do rosto, quando utilizar este produto.
	Leia o manual do utilizador	Para reduzir o risco de lesões, o utilizador tem de ler e compreender o manual do utilizador antes de utilizar este produto.
	Tenha cuidado com as lâminas afiadas.	As lâminas continuam a rodar após desligar o motor. Retire o equipamento de desativação antes de proceder à manutenção. Desligue e retire a bateria (ou dispositivo de desativação) antes de efetuar quaisquer ajustes ou limpeza.
	Mantenha terceiros afastados	Certifique-se de que outras pessoas e animais permanecem a, pelo menos, 30m da máquina de cortar relva durante a utilização.

	Construção de classe II	Construção com isolamento duplo.
IPX4	Símbolo IP	Proteção contra a entrada de água de grau 4
V	Volts	Tensão
A	Amperes	Corrente
Hz	Hertz	Frequência (ciclos por segundo)
W	Watt	Potência
min	Minutos	Tempo
	Corrente alternada	Tipo de corrente
	Corrente direta	Tipo ou característica da corrente
n_0	Velocidade sem carga	Velocidade de rotação, sem carga
.../min	Por minuto	Rotações por minuto

- Leia estas instruções com atenção. Familiarize-se com os controlos e com a utilização correcta do aparelho.
- Nunca permita que uma criança ou uma pessoa que não esteja familiarizada com estas instruções use o aparelho. Os regulamentos locais podem restringir a idade do utilizador
- Nunca corte a relva com pessoas, especialmente crianças, ou animais por perto.
- O operador ou utilizador é o responsável por acidentes ou riscos provocados a outras pessoas ou à sua propriedade.

PREPARAÇÃO

- Enquanto corta a relva, utilize sempre calçado resistente e calças compridas.
- Não utilize o equipamento descalço ou de sandálias abertas. Evite utilizar roupa larga ou que possua fios ou cordões soltos.
- Inspeccione cuidadosamente a área onde vai utilizar o equipamento e retire quaisquer pedras, paus, ossos e outros objetos estranhos.
- Antes da utilização, inspeccione sempre visualmente se as lâminas, parafusos das lâminas e o conjunto de corte não estão gastos ou danificados. Substitua lâminas gastas ou danificadas e os parafusos em conjunto, para manter o equilíbrio.

REGRAS DE SEGURANÇA PARA A MÁQUINA DE CORTAR RELVA SEM FIOS

⚠ PERIGO: Esta máquina foi criada para ser utilizada de acordo com as regras de funcionamento seguro incluídas neste manual. Tal como em qualquer tipo de equipamento mecânico, o descuido ou erro por parte do operador pode dar origem a lesões sérias. Esta máquina é capaz de magoar mãos e pés, e de atirar objectos. O não cumprimento destas instruções de segurança pode resultar em lesões sérias ou mesmo morte.

⚠ AVISO: Quando usar uma máquina de cortar relva eléctrica, deverá seguir sempre as precauções básicas de segurança, para reduzir o risco de fogo, choque eléctrico ou lesões pessoais.

IMPORTANTE

LEIA ATENTAMENTE ANTES DE UTILIZAR. GUARDE PARA FUTURA REFERÊNCIA.

REGRAS DE SEGURANÇA PARA A MÁQUINA DE CORTAR RELVA SEM FIOS:

CUIDADO: NÃO TOQUE NA LÂMINA ROTATIVA!

TREINO

FUNCIONAMENTO

- Corte a relva apenas à luz do dia ou com boa luz artificial.
- Evite utilizar o equipamento em relva molhada, sempre que possível.
- Nos locais inclinados, certifique-se sempre do local onde coloca os pés.
- Caminhe, nunca corra.
- Em máquinas com rodas, corte a relva em encostas de lado, nunca de cima para baixo.
- Tenha muito cuidado quando mudar de direcção em encostas.
- Não corte a relva em encostas excessivamente inclinadas.
- Tenha muito cuidado quando virar ou puxar o equipamento na sua direcção.
- Pare a(s) lâmina(s) caso o equipamento seja inclinado para ser transportado ao passar por superfícies que não sejam relvadas e quando transportar o equipamento de e para a área a ser cortada.
- Nunca utilize o aparelho com protecções defeituosas ou sem os dispositivos de segurança, por exemplo deflectores e/ou saco de recolha da relva, no devido lugar.

- Ligue o motor de acordo com as instruções e com os pés bem afastados da(s) lâmina(s).
- Não incline a máquina quando ligar o motor, excepto se a máquina tiver de ser inclinada para ser ligada. Neste caso, não a incline mais do que o absolutamente necessário e levante apenas a parte afastada do operador. Certifique-se sempre de que ambas as mãos se encontram na posição de funcionamento antes de colocar o aparelho no chão.
- Não ligue a máquina quando se encontrar em frente da abertura de descarga.
- Não coloque as mãos ou pés perto ou debaixo das peças rotativas. Para as máquinas de corte de relva rotativas, mantenha sempre as aberturas de descarga abertas.
- Nunca segure nem ligue um equipamento enquanto o motor estiver a funcionar.
- Desligue e retire a bateria (ou dispositivo de desativação) e certifique-se de que todas as peças móveis pararam completamente antes de efetuar quaisquer ajustes ou limpeza.
 - Sempre que a máquina for deixada sem supervisão
 - Antes de limpar uma peça bloqueada
 - Antes de verificar, limpar ou trabalhar no aparelho;
 - Após bater num objecto estranho. Inspeccione o aparelho quanto a danos e faça as reparações necessárias:
- Se o aparelho começar a vibrar anormalmente (verifique imediatamente).
 - Inspeccione quanto a danos;
 - Substitua ou repare quaisquer peças danificadas;
 - Verifique se existem peças desapertadas e se tal for o caso, aperte-as.

MANUTENÇÃO E ARMAZENAMENTO

- Tenha cuidado ao ajustar a máquina para impedir que dedos fiquem presos entre as lâminas móveis e as peças fixas do equipamento.
- Mantenha todas as porcas e parafusos bem apertados, para se certificar de que o equipamento está em boas condições de funcionamento.
- Verifique frequentemente o saco de recolha de relva do equipamento quanto a desgaste ou deterioração.
- Para sua segurança, substitua as peças gastas ou danificadas.
- A limpeza e manutenção por parte do utilizador não deverão ser efetuadas por crianças sem supervisão.
- Ao efetuar a manutenção às lâminas, tenha em que, mesmo que a bateria esteja desligada ou retirada, as lâminas ainda podem estar em movimento.
- Para máquinas de corte de relva rotativas, certifique-se de que usa apenas meios de corte sobresselentes do tipo certo.

SEGURANÇA PESSOAL

Podem ocorrer acidentes trágicos se o operador não estiver atento à presença de crianças. As crianças costumam ser atraídas pela máquina de cortar relva e pela atividade de corte de relva. Estas não compreendem o perigo.

Nunca assuma que as crianças vão permanecer no local onde as viu pela última vez.

- Mantenha as crianças afastadas da área de corte e sob constante supervisão por parte de um adulto responsável.
- Esteja atento e desligue a máquina de cortar relva se uma criança entrar na área.
- Tenha muito cuidado quando se aproximar de cantos escondidos, entradas, arbustos, árvores ou outros objectos que possam diminuir a sua visão de uma criança que possa correr na direcção da máquina.
- As crianças devem ser supervisionadas, para se assegurar que não brincam com a máquina.
- Desligue sempre a máquina de cortar relva quando retirar a bateria. Pare as lâminas caso a máquina de cortar relva seja inclinada para ser transportada quando passar por superfícies que não sejam relvadas e quando transportar a máquina de cortar relva de e para a área a ser cortada.

FUNCIONAMENTO

FUNCIONAMENTO GERAL:

- Leia com atenção o manual do utilizador por completo antes de tentar montar esta máquina. Leia, compreenda e siga todas as instruções na máquina e nos manuais antes da utilização. Familiarize-se por completo com os controlos e utilização adequada desta máquina antes da utilização. Guarde este manual num local seguro para futuras referências e para encomendar peças sobresselentes.
- Utilize o equipamento correto. Não utilize a máquina de cortar relva para outros trabalhos para além daqueles para que foi criada.
- Não se estique. Mantenha sempre a base e o equilíbrio adequados.
- Objetos atingidos pela lâmina da máquina de cortar relva podem causar lesões graves a pessoas. A relva deverá ser sempre examinada cuidadosamente e deverá retirar quaisquer objetos antes de proceder ao corte.
- Antes de e enquanto se move para trás, olhe para trás e para baixo para ver se há crianças e outras pessoas.
- Esta máquina não é um brinquedo. Assim, tenha sempre muito cuidado. O seu aparelho foi criado para efetuar um trabalho: Cortar relva. Não a utilize para qualquer outro propósito.
- Não force a máquina de cortar relva. Ela fará o trabalho melhor e de modo mais seguro ao ritmo para o qual foi criada.

- Antes da utilização, inspecione sempre visualmente se as lâminas, parafusos das lâminas e o conjunto de corte não estão gastos ou danificados. Substitua as lâminas gastas ou danificadas e parafusos e outros componentes em simultâneo, para preservar o equilíbrio. Substitua as etiquetas danificadas ou ilegíveis.
- Tenha muito cuidado quando virar ou puxar o equipamento na sua direção.
- Inspecione cuidadosamente a área onde o equipamento vai ser usado. Retire todas as pedras, paus, fios, brinquedos e outros objetos estranhos que possam ser apanhados e projetados pela lâmina. Os objetos projetados podem causar ferimentos pessoais graves. Planeie o seu padrão de corte de modo a evitar descarregar material para estradas, passeios públicos, terceiros ou semelhante. Evite também descarregar material contra paredes ou obstruções, o que pode fazer com que o material ressalte de volta contra o operador.
- Para ajudar a evitar o contacto da lâmina ou ferimentos devido a objetos projetados, permaneça na zona do operador atrás das pegas, e mantenha crianças, terceiros, ajudantes e animais a, pelo menos, 30m da máquina de cortar relva durante o funcionamento da mesma. Pare a máquina se alguém entrar na área.
- Use sempre óculos de segurança durante o funcionamento e enquanto efetua um ajuste ou reparação, para proteger os olhos. Os objetos projetados que fazem ricochete podem causar lesões sérias nos olhos. Utilize sempre uma máscara ou máscara de pó se o funcionamento for poeirento.
- Vista-se adequadamente. Não utilize roupa larga ou joias. Estas podem ficar presas em peças móveis. A utilização de luvas de borracha é recomendada para trabalhos no exterior. Utilize calçado de trabalho resistente e com solas grossas e roupa justa. Recomendamos a utilização de roupa que cubra os braços e pernas e calçado com biqueira de aço. Nunca utilize esta máquina descalço, de sandálias ou com calçado que seja escorregadio ou leve (ex: lona).
- Não coloque as mãos ou pés perto ou debaixo da cobertura de corte. O contacto com a lâmina pode causar lesões nas mãos e pés.
- Uma cobertura de descarga em falta ou danificada pode causar o contacto com a lâmina ou lesões devido a objetos projetados.
- Muitas lesões ocorrem como resultado de se puxar a máquina de cortar relva sobre um pé durante uma queda por ter escorregado ou tropeçado. Não se segure à máquina de cortar relva se estiver a cair. Liberte imediatamente a pega.
- Nunca puxe a máquina de cortar relva na sua direção enquanto estiver a andar. Se tiver de afastar a máquina de cortar relva de uma parede ou obstrução, olhe primeiro para baixo e para trás para evitar tropeçar, e siga estes passos:
 - Afaste-se da máquina de cortar relva para esticar por completo os braços.
 - Certifique-se de que está bem equilibrado e com uma base estável para os pés.
 - Puxe lentamente a máquina de cortar relva para trás, não mais do que metade do caminho até si.
 - Repita estes passos, conforme necessário.
- Não utilize a máquina de cortar relva quando estiver sob a influência de álcool ou drogas.
- Nunca utilize o equipamento com proteções defeituosas ou sem os dispositivos de segurança, por exemplo, defletores e/ou saco de recolha da relva, no devido lugar.
- Mantenha-se alerta e atento ao que está a fazer. Utilize o senso comum. Não utilize a máquina de cortar relva quando estiver cansado.
- A pega de controlo do motor/lâmina é um dispositivo de segurança. Nunca tente anular o seu funcionamento. Se o fizer, torna o equipamento de segurança inoperacional e pode dar origem a lesões pessoais devido ao contacto com a lâmina rotativa. A pega de controlo do motor/lâmina tem de ser utilizada facilmente em ambas as direções e voltar automaticamente à posição desativada quando libertada.
- Evite ambientes perigosos – Não utilize a máquina de cortar relva em locais húmidos ou molhados.
- Não utilize à chuva.
- Tenha sempre uma boa base de apoio para os pés. Escorregar e cair pode provocar graves ferimentos pessoais. Se sentir que está a perder o equilíbrio, liberte imediatamente a pega de controlo do motor/lâmina e a lâmina para de rodar no espaço de três segundos.
- Pare a lâmina quando atravessar passeios de cascalho, cascalho ou estradas.
- Se a máquina começar a vibrar anormalmente, desligue o motor e verifique imediatamente as causas. A vibração é normalmente um aviso de problemas.
 - Inspeccione quanto a danos;
 - Substitua ou repare as peças danificadas que podem ser substituídas pelo utilizador;
 - Verifique se existem peças desapertadas e se tal for o caso, aperte-as.
- Nunca utilize a máquina de cortar relva sem a devida proteção posterior, cobertura de descarga, saco de recolha da relva, inserção de adubar, saída de descarga lateral, pega de controlo do motor/lâmina ou outros dispositivos de proteção de segurança no devido

lugar e a funcionarem. Nunca coloque a máquina de cortar relva em funcionamento com dispositivos de segurança danificados. O não seguimento das instruções pode dar origem a ferimentos pessoais graves.

- Se ocorrerem situações que não sejam abrangidas por este manual, tenha cuidado e faça uso do bom senso. Contacte o serviço de apoio ao cliente da EGO para obter assistência.
- Utilize apenas com as baterias e carregadores listados em baixo:

BATERIA	CARREGADOR
BA1120E, BA2240E, BA2800, BA3360, BA4200	CH5500E, CH2100E

- A bateria tem de ser retirada do equipamento antes de ser eliminada.
- A bateria tem de ser eliminada de modo seguro.

OPERAÇÃO NUMA ENCOSTA:

As encostas são um factor importante relacionado com quedas que podem dar origem a lesões severas. Nos locais inclinados, certifique-se sempre do local onde coloca os pés. O funcionamento em encostas requer um cuidado extra. Se não se sentir à vontade numa encosta, não corte aí a relva. Para sua segurança, use o medidor de encostas na página 182 para medir as encostas antes de utilizar esta unidade numa área inclinada. Se a encosta for superior a 15 graus, não corte a relva.

A fazer:

- Caminhe sempre de lado em encostas, nunca de cima para baixo. Tenha muito cuidado quando mudar de direcção em encostas.
- Tenha cuidado com buracos, raízes, rochas, objectos escondidos ou montes que possam fazê-lo escorregar ou cair. A relva comprida pode esconder objectos.

A não fazer:

- Não corte a relva perto de fossos, valas ou aterros. Pode perder o equilíbrio.
- Não corte a relva em encostas superiores a 15 graus, conforme apresentado no medidor de encostas.
- Não corte a relva molhada. O desequilíbrio pode fazê-lo escorregar

REPARAÇÃO

⚠ AVISO: Os componentes do saco de recolha da relva, cobertura de descarga, saída de descarga lateral, inserção de adubar e protecção posterior estão sujeitos a desgaste e danos, que podem expor as peças móveis ou permitir que objectos sejam atirados, e podem aumentar o risco de

lesões. Por razões de segurança, verifique frequentemente todos os componentes e substitua imediatamente os componentes danificados por peças sobresselentes idênticas, listadas neste manual. Contacte o centro de apoio ao cliente da EGO, ou o centro de reparação da EGO mais próximo de si. As reparações ou substituições de peças deverão ser efectuadas por um técnico qualificado!

Se o interruptor de protecção contra sobrecargas incorporado na máquina de cortar relva for ativado frequentemente, contacte o centro de apoio ao cliente da EGO ou o centro de apoio ao cliente da EGO mais próximo de si.

- Não lave a máquina de cortar relva com uma mangueira. Evite que entre água no motor e nas ligações elétricas.
- Retire a chave e guarde a máquina de cortar relva desligada no interior quando não em uso. Deixe o motor arrefecer antes de guardar em qualquer local fechado. A máquina de cortar relva deve ser guardada num local seco, alto ou fechado e fora do alcance das crianças.
- Ao proceder à reparação, utilize apenas peças sobresselentes idênticas às listadas neste manual. A utilização de peças que não vão de encontro às especificações do equipamento original pode dar origem a um desempenho inadequado e comprometer a segurança.
- Retire ou desligue a bateria antes de reparar, limpar ou retirar material da máquina de cortar relva.
- Siga as instruções quanto a mudança de acessórios.
- Mantenha as pegas secas, limpas e sem óleo ou gordura.
- Para reduzir o perigo de incêndio, mantenha a cobertura do motor sem relva, folhas ou montes de resíduos acumulados.
- Verifique os parafusos de fixação da lâmina e do motor a intervalos frequentes quanto ao devido aperto. Inspeccione visualmente a lâmina quanto a danos (ex: dobras, rachas e desgaste). Substitua a lâmina apenas por uma lâmina de substituição idêntica, listada neste manual.
- Proceda à manutenção cuidadosa da sua máquina de cortar relva - Mantenha a lâmina da máquina de cortar relva afiada e limpa, para um melhor desempenho e mais segurança. As lâminas da máquina de cortar relva estão afiadas e podem cortar. Embrulhe a lâmina ou utilize luvas e tenha muito cuidado quando proceder à sua manutenção.
- Nunca retire nem altere os dispositivos de segurança. Verifique regularmente o seu funcionamento correto. Nunca faça nada que interfira com a função prevista de um equipamento de segurança ou para reduzir a protecção fornecida por um equipamento de segurança.

- Desligue sempre o motor antes de fazer quaisquer ajustes numa roda ou o ajuste da altura de corte.
- Após bater num objeto estranho, pare o motor, retire a chave e inspecione cuidadosamente a máquina de cortar relva quanto a danos. Repare os danos antes de utilizar a máquina de cortar relva.
- Mantenha ou substitua as etiquetas de segurança e instruções, conforme necessário. Contacte o serviço de apoio ao cliente da EGO ou o centro de reparação da EGO mais próximo de si. As reparações ou substituições de peças deverão ser efetuadas por um técnico de reparação qualificado!

GUARDE ESTAS INSTRUÇÕES. Consulte com frequência e utilize estas instruções para instruir outras pessoas sobre a forma de utilizar este equipamento. Se emprestar este aparelho, entregue também as instruções, para evitar uma má utilização do produto e possíveis lesões.

UTILIZAÇÃO E CUIDADOS COM A BATERIA

- Para preservar os recursos naturais, recicle ou elimine as baterias de um modo adequado. Este produto contém baterias de ião e lítio. As leis locais ou nacionais proíbem a eliminação de baterias de ião e lítio juntamente com o lixo doméstico comum. Consulte as autoridades locais quanto ao modo como reciclar e eliminar.
- Ao retirar a bateria para ser eliminada ou reciclada, cubra os terminais da bateria com uma fita adesiva resistente. Não tente destruir ou desmontar a bateria, nem retirar algum dos seus componentes. As baterias de ião e lítio têm de ser recicladas ou eliminadas de forma adequada. Além disso, nunca toque em qualquer dos terminais com objetos de metal e/ou com o corpo, pois isso pode causar um curto-circuito. Mantenha afastado das crianças. Se não seguir estes avisos de segurança, pode originar um incêndio e/ou lesões sérias.
- **SOB CONDIÇÕES ABUSIVAS, PODE SER EJETADO LÍQUIDO DA BATERIA. EVITE O CONTACTO. SE OCORRER CONTACTO ACIDENTAL, LAVE COM ÁGUA. SE O LÍQUIDO ENTRAR EM CONTACTO COM OS OLHOS, PROCURE AJUDA MÉDICA.** O líquido ejetado da bateria pode provocar irritação ou queimaduras.

ESPECIFICAÇÕES

Número do modelo	LM2120E	LM2120E-SP
Sistema autopropulsor	Não	Sim
Tensão	56 V	56 V
Velocidade sem carga	2800 /min	2800 /min
Altura de corte	28-94 mm	28-94 mm
Posições da altura de corte	6	6
Tamanho da cobertura	53 cm	53 cm

Largura de corte	52 cm	52 cm	
Volume do saco de recolha da relva	70 L	70 L	
Peso da máquina de cortar relva (sem a bateria)	22,10 kg	24,55 kg	
Modelo da lâmina	AB2101	AB2101	
Nível de potência do som medido L_{WA} $K=2$ dB(A)	89,9 dB(A)	89,5 dB(A)	
Nível da pressão do som no ouvido do operador L_{PA} $K=3$ dB(A)	87 dB(A)	87 dB(A)	
Nível de potência do som garantido L_{WA} (de acordo com 2000/14/CE)	92 dB(A)	92 dB(A)	
Vibração a_h $K=1,5$ m/s ²	Pega esquerda	$\leq 2,5$ m/s ²	$\leq 2,5$ m/s ²
	Pega direita	$\leq 2,5$ m/s ²	$\leq 2,5$ m/s ²
Travão da lâmina	Sim	Sim	

- O valor total declarado da vibração foi medido de acordo com um método de teste padrão e pode ser usado para comparar duas ferramentas;
- O valor total declarado da vibração também pode ser usado numa avaliação preliminar da exposição.

AVISO: A emissão de vibrações durante a utilização da ferramenta elétrica pode diferir do valor declarado em que a ferramenta é usada. De modo a proteger o utilizador, este deverá utilizar luvas e proteção auditiva nas condições atuais de utilização.

LISTA DE PEÇAS

NOME DA PEÇA	QUANTIDADE
Máquina de cortar relva	1
Saco de recolha da relva	1
Estrutura do saco de recolha da relva	1
Inserção de adubar	1
Chave de segurança	2
Manual do utilizador	1

DESCRIÇÃO

CONHEÇA A SUA MÁQUINA DE CORTAR RELVA (Fig. A, B, e C)

1. Botão de segurança
2. Gatilho autopropulsor
3. Braçadeira de fixação da pega
4. Porta de descarga traseira
5. Pega traseira
6. Tampa da bateria
7. Luzes LED
8. Pega dianteira
9. Roda dianteira
10. Alavanca de ajuste de altura de corte
11. Cobertura da máquina de cortar relva
12. Roda traseira
13. Saco de recolha da relva
14. Alavanca de ajuste rápido
15. Calha lateral
16. Alavanca de controlo de velocidade do autopropulsor
17. Interruptor de asa (alavanca do interruptor)
18. Pega
19. Inserção de adubar
20. Suporte para armazenamento vertical
21. Proteção posterior
22. Botão de ligação das luzes LED
23. Indicador da energia

FUNCIONAMENTO

MONTAR O SACO DE RECOLHA DA RELVA

- 1) Faça deslizar o saco de recolha da relva para a estrutura (Fig. D).
- 2) Monte os cliques superiores na estrutura (Fig. E) e, em seguida, monte os dois cliques laterais. Por fim, monte o clipe inferior.
- 3) O saco de recolha da relva completamente montado é apresentado na Fig. F.

AVISO: Numa utilização normal, o material do saco está sujeito a desgaste. Para reduzir o risco de ferimentos, inspecione frequentemente o conjunto do saco e substitua-o se houver sinais de desgaste ou de deterioração. Utilize apenas sacos de recolha da relva fabricados para esta máquina de cortar relva.

AJUSTAR A PEGA DESDOBRÁVEL

AVISO: Não tente ligar a máquina de cortar relva até que a pega esteja bloqueada numa das três posições de funcionamento predefinidas (POSIÇÃO DE FUNCIONAMENTO SUPERIOR, POSIÇÃO DE FUNCIONAMENTO INTERMÉDIA e POSIÇÃO DE FUNCIONAMENTO INFERIOR).

A sua máquina de cortar relva é enviada com a pega na posição compacta, POSIÇÃO DE ARMAZENAMENTO BLOQUEADA (Fig. G).

- 1) Prima e mantenha premida a alavanca de ajuste rápido para libertar a pega da POSIÇÃO BLOQUEADA DE ARMAZENAMENTO. (Fig. H-1).
- 2) Comece por levantar a pega da sua posição dobrada e, em seguida, liberte a alavanca. Rode suavemente a pega para cima até ouvir e sentir a cavilha de fixação a fixar numa de diferentes posições conforme indicado na Fig. H.
 - POSIÇÃO DE FIXAÇÃO/REMOÇÃO DO SACO DE RECOLHA DA RELVA (Fig. H-2).
 - POSIÇÃO DE FUNCIONAMENTO SUPERIOR (Fig. H-3).
 - POSIÇÃO DE FUNCIONAMENTO INTERMÉDIA (Fig. H-4)
 - POSIÇÃO DE FUNCIONAMENTO INFERIOR (Fig. H-5).

FIXAR/RETIRAR O SACO DE RECOLHA DA RELVA/INSERÇÃO DE ADUBAR

AVISO: Nunca faça qualquer ajuste na máquina de cortar relva sem desligar primeiro o motor e retirar a chave de segurança e esperar que a lâmina para de rodar.

AVISO: Fixe quaisquer acessórios à máquina de cortar relva antes de cortar a relva.

- Para fixar/retirar o saco de recolha da relva (Fig. I)

AVISO: Retire a inserção de adubar pré-instalada na máquina de cortar relva antes de fixar o saco de recolha da relva na máquina de cortar relva.

- Para fixar/retirar a inserção de adubar (Fig. J)

AJUSTAR A ALTURA DE CORTE (Fig. K)

AVISO: Mantenha os pés afastados da cobertura quando ajustar a altura. A máquina de cortar relva pode ser definida para 5 alturas de corte entre 28 mm e 94 mm. Escolha a altura de corte adequada de acordo com os tipos e condições da relva.

AVISO: Quando mover a ferramenta, certifique-se de que a altura de corte está ajustada para a posição 3 ou superior. Se não o fizer, pode dar origem a danos na lâmina.

FIXAR/RETIRAR A BATERIA (Fig. L)

CARREGUE ANTES DA PRIMEIRA UTILIZAÇÃO.

⚠️ AVISO: Se alguma peça estiver partida ou em falta, não tente fixar a bateria na máquina de cortar relva nem utilizar a máquina até que as peças partidas ou em falta sejam substituídas. Se não o fizer, pode dar origem a ferimentos graves.

- **Para fixar**
Empurre a bateria para o compartimento da bateria até ouvir um “clique”.
- **Para retirar**
Prima o botão de libertação da bateria no compartimento da bateria.

Fig. L. descrição das peças apresentada abaixo:

L-1	Ranhura da chave de segurança
L-2	Chave de segurança
L-3	Botão de libertação da bateria

AVISO: Certifique-se de que a aba na máquina de cortar relva fica fixa, e que a bateria também fica fixa na máquina de cortar relva antes de começar a utilização.

LIGAR/DESLIGAR A MÁQUINA DE CORTAR RELVA

⚠️ AVISO: O funcionamento de qualquer máquina de cortar relva pode dar origem ao ressalto de quaisquer objetos estranhos que podem ser atritados para os olhos, podendo dar origem a sérias lesões óticas. Utilize sempre óculos de segurança enquanto utiliza a máquina de cortar relva ou enquanto efetua quaisquer ajustes ou reparações.

⚠️ AVISO: Não utilize a máquina de cortar relva à chuva.

⚠️ AVISO: Certifique-se de que outras pessoas e animais permanecem a, pelo menos, 30m da máquina de cortar relva durante a utilização.

⚠️ AVISO: A lâmina continua a rodar durante alguns segundos após a máquina de cortar relva ser desligada. Deixe o motor/lâmina pararem por completo antes de voltar a ligar. Não ligue e desligue rapidamente a máquina de cortar relva.

NOTA: O motor não liga, a não ser que:

- A pega está fixada numa de duas posições de funcionamento
- As calhas laterais estão completamente estendidas (Fig. M).
- Ambas as braçadeiras verdes de fixação da pega estejam bem fechadas (Fig. N).

⚠️ CUIDADO: Não tente anular o funcionamento do botão de segurança nem do interruptor de asa.

Para ligar (Fig. P)

- 1) Fixe a bateria na máquina de cortar relva, insira a chave de segurança na ranhura de segurança e feche a tampa da bateria (Fig. L).
- 2) De acordo com a Fig. O, prima o botão de segurança.
- 3) Com o botão de segurança premido, puxe o interruptor de asa para cima para a pega e liberte o botão de segurança.

Para parar (Fig. Q)

1. Liberte o interruptor de asa.
- 2) O travão elétrico do mecanismo de travagem automática vai parar a rotação da lâmina no espaço de 3 segundos após libertar o interruptor de asa.

SISTEMA AUTOPROPULSOR DE VELOCIDADE VARIÁVEL

A máquina de cortar relva LM2120E-SP está equipada com capacidade de autopropulsor de velocidade variável. Este sistema é independente do interruptor Ligar-Desligar lâmina; não depende da rotação da lâmina.

Para colocar em funcionamento o sistema sem rotação da lâmina, puxe o gatilho autopropulsor para a pega.

Para desligar o autopropulsor, liberte o gatilho do autopropulsor.

O sistema possui velocidade variável. Para aumentar a velocidade, mova a alavanca de controlo de velocidade do autopropulsor para a frente. Para diminuir a velocidade, mova a alavanca de controlo de velocidade do autopropulsor para trás (Fig. R).

Para colocar em funcionamento com a lâmina de rotação para cortar:

1. Ligue a máquina de cortar relva.
2. Enquanto mantém o interruptor de asa contra a pega com a mão esquerda, puxe o gatilho autopropulsor para a pega com a mão direita.
3. Mantenha o interruptor de asa e o gatilho autopropulsor simultaneamente contra a pega com a mão direita e utilize a mão esquerda para ajustar a alavanca de controlo de velocidade do autopropulsor para escolher a velocidade desejada.

AVISO: Durante o corte, pode ser mais fácil cortar em torno de um objeto, como uma árvore ou planta, com o autopropulsor desligado.

⚠️ AVISO: Para reduzir o risco de ferimento, nunca tente ignorar o funcionamento do interruptor ou sistema autopropulsor. Utilize o autopropulsor apenas para o fim a que se destina.

LUZES DE TRABALHO LED NA MÁQUINA DE CORTAR RELVA (Fig. A-7)

Prima o interruptor (Fig. C-22) para ligar/desligar as luzes de trabalho LED na dianteira do compartimento de bateria.

INDICADOR DA ENERGIA NA MÁQUINA DE CORTAR

RELVA (Fig. S)

A máquina de cortar relva vem equipada com um indicador da energia, para indicar o estado de carga da bateria e o estado de funcionamento da máquina de cortar relva. O indicador da energia acende quando a lâmina estiver a rodar ou quando as luzes de funcionamento LED acenderem.

Indicador da energia na máquina de cortar relva	Significado	Ação
Verde brilhante	A máquina de cortar relva está a funcionar corretamente; a bateria tem, pelo menos, 15% da carga	N/A
Vermelho brilhante	Bateria fraca	Para a máquina de cortar relva e recarregue a bateria
Vermelho a piscar	A bateria está quase gasta	Para a máquina de cortar relva e recarregue a bateria
Cor-de-laranja brilhante	A máquina de cortar relva ou a bateria sobrecarregou	Retire a bateria da máquina de cortar relva, leve-a para a sombra e deixe arrefecer durante, pelo menos, 15 minutos
Cor-de-laranja a piscar	A máquina de cortar relva está sobrecarregada	Ablande o ritmo ou levante a altura de corte para diminuir a carga

PROTEÇÃO CONTRA SOBRECARGA DA MÁQUINA DE CORTAR RELVA

Para evitar condições de sobrecarga, não tente cortar demasiada relva de uma vez. Abrande o ritmo de corte ou aumente a altura de corte.

A sua máquina de cortar relva possui um circuito de proteção contra sobrecargas incorporado. Quando a máquina de cortar relva estiver sobrecarregada, o motor para e o indicador da energia na máquina pisca a cor-de-laranja. Retire a bateria da máquina de cortar relva. Verifique se a relva foi recolhida sob a cobertura e limpe-a se necessário. Depois instale a bateria e reinicie a máquina de cortar relva.

PROTEÇÃO CONTRA ALTA TEMPERATURA DA BATERIA

A bateria gera calor durante o funcionamento. O calor dissipa-se mais lentamente com tempo quente. Se a

temperatura da bateria exceder os 70 °C durante o funcionamento, o circuito de proteção desliga imediatamente a máquina de cortar relva para proteger a bateria de danos. O indicador da energia na máquina de cortar relva brilha a cor-de-laranja.

Liberte a pega de asa, espere que a bateria arrefeça até cerca de 67 °C, depois volte a ligar a máquina de cortar relva.

MANUTENÇÃO

AVISO: Para evitar lesões pessoais sérias, retire sempre a chave de segurança da máquina de cortar relva antes de limpar, efetuar qualquer manutenção ou transportar a máquina de cortar relva.

AVISO: Quando fizer reparações, utilize apenas peças sobressalentes idênticas. A utilização de outras peças pode criar um perigo ou provocar danos no produto. Para assegurar a segurança e bom funcionamento, todas as reparações e substituições deverão ser efetuadas por um técnico de reparação qualificado.

LIMPEZA DA MÁQUINA DE CORTAR RELVA

A parte inferior da cobertura da máquina de cortar relva deve ser limpa após cada utilização, pois os restos de relva, folhas, sujidades e outros resíduos podem ficar acumulados.

Retire quaisquer resíduos de relva e de folhas no eixo motriz e em redor deste (apenas LM2120E-SP) e da ventoinha do motor (não utilize água). Limpe a máquina de cortar relva com um pano humedecido.

RETIRAR/INSTALAR A LÂMINA

AVISO: Proteja sempre as suas mãos usando luvas resistentes ou embrulhando as extremidades de corte com trapos ou com outros materiais quando efetuar qualquer manutenção na lâmina da máquina de cortar relva. Retire sempre a bateria quando reparar ou transportar a máquina de cortar relva.

■ Para retirar a lâmina

Siga a Fig. T.

AVISO: Se o parafuso rodar com o eixo do motor ao soltar o parafuso, rode a ventoinha manualmente para alinhar os orifícios de passagem com a ventoinha com os orifícios na lâmina e coloque outra haste metálica nos orifícios alinhados (Fig. U).

■ Para instalar a lâmina

Na sequência de montagem na Fig. V, com a lâmina da ventoinha voltada para a cobertura e o lado impresso da lâmina voltado para fora, alinhe os orifícios de passagem na ventoinha com os orifícios na lâmina (Fig. W) e, depois, aperte a lâmina como apresentado na Fig. X.

Fig. U e V descrição das peças apresentada abaixo:

U-1	Estabilizador 1	V-2	Rebordo interior
U-2	Estabilizador 2	V-3	Lâmina
U-3	Chave de 14 mm	V-4	Rebordo exterior
V-1	Ventoinha	V-5	Parafuso

AVISO: O binário recomendado para aperto do parafuso da lâmina é de 49-59Nm.

ARMAZENAMENTO DA MÁQUINA DE CORTAR RELVA

- Retire a bateria da máquina de cortar relva e armazene num local fresco, seco e limpo. Não guarde perto de materiais corrosivos, como fertilizante ou sal grosso.
- Armazene a máquina de cortar relva num espaço coberto e fechado, fresco e seco, e fora do alcance das crianças.
- Não cubra a máquina de cortar relva com um plástico sólido. As coberturas de plástico prendem a humidade em volta da máquina de cortar relva, provocando corrosão e ferrugem.
- A máquina de cortar relva pode ser armazenada na vertical ou na horizontal (Fig. Y).

AVISO: Se a máquina de cortar relva começar a inclinar-se, isso pode dar origem a danos na máquina ou ferimentos pessoais. Mantenha sempre a máquina de cortar relva estável e fora do alcance de crianças quando estiver na vertical. Se possível, deite-a para armazenamento.

Proteção do ambiente



Não elimine o equipamento elétrico, o carregador da bateria e as baterias/baterias recarregáveis juntamente com o lixo doméstico comum!

De acordo com a norma europeia 2002/19/UE, o equipamento elétrico e eletrónico que deixe de ser usado e de acordo com a norma europeia 2006/66/CE, as baterias gastas ou defeituosas têm de ser recolhidas em separado.

Se os equipamentos elétricos forem eliminados em aterros ou lixeiras, substâncias perigosas podem vaziar para os lençóis freáticos e entrar na cadeia de alimentação, danificando a sua saúde e bem-estar.

DECLARAÇÃO DE CONFORMIDADE CE

Nós, EGO EUROPE GMBH

Wahlwiesenstrasse 1, D-71711 Steinheim an der Murr Deutschland

Declaramos que o produto **máquina de cortar relva sem fios de ião e lítio de 56 V LM2120E/LM2120E-SP** se encontra em conformidade com os requisitos essenciais de saúde e segurança das seguintes Diretivas:

2006/42/CE, 2014/30/EU, 2011/65/EU, 2000/14/CE

Normas e características técnicas relativas a:

EN 60335-1, EN 60335-2-77, EN 62233, EN 55014-1, EN 55014-2

	LM2120E	LM2120E-SP
Nível de potência do som medido:	89,9 dB(A)	89,5 dB(A)
Nível de potência de som garantido:	92 dB(A)	92 dB(A)

O processo de avaliação de conformidade do Anexo VI é seguido de acordo com a norma 2000/14/CE.

Organismo notificado: Soci t  Nationale de Certification et d'Homologation

N mero do organismo notificado: 0499

Peter Melrose
Administrador da EGO Europe GmbH

Dong Jianxun
Gestor de Qualidade da Chervon

* (Representante autorizado da CHERVON e respons vel pela documenta  o t cnica)

01/09/2016

RESOLUÇÃO DE PROBLEMAS

⚠️ AVISO: Retire sempre a chave de segurança e a bateria ao efetuar a manutenção ou transportar a máquina de cortar relva. Proteja sempre as suas mãos usando luvas resistentes ou embrulhando as extremidades de corte com trapos ou com outros materiais quando efetuar qualquer manutenção na lâmina da máquina de cortar relva.

PROBLEMA	CAUSA	SOLUÇÃO
A máquina de cortar relva não liga	<ul style="list-style-type: none"> ■ A bateria está gasta. ■ A bateria não está montada no local do compartimento da bateria. ■ A bateria ou circuito da máquina de cortar relva está demasiado quente. (O indicador da energia na máquina de cortar relva acende a cor-de-laranja durante 10 segundos) ■ As calhas laterais não estão esticadas ao máximo e as braçadeiras não estão bloqueadas na respetiva posição. ■ A pega não está fixada a uma das duas posições de funcionamento. ■ A cobertura da máquina de cortar relva está obstruída com relva e resíduos. 	<ul style="list-style-type: none"> ■ Carregue a bateria. ■ Fixe a bateria na máquina de cortar relva e pressione até ouvir um clique. ■ Deixe a bateria ou a máquina de cortar relva arrefecer até que a temperatura desça abaixo dos 67 °C. ■ Estique por completo a pega e fixe ambas as braçadeiras. ■ Ajuste a pega numa das duas posições de funcionamento. ■ Limpe a cobertura da máquina de cortar relva e certifique-se de que a lâmina gira livremente.
A máquina de cortar relva corta de um modo pouco uniforme	<ul style="list-style-type: none"> ■ A lâmina não está afiada. ■ A altura de corte não foi definida corretamente. ■ A lâmina foi montada incorretamente. 	<ul style="list-style-type: none"> ■ Afie ou substitua a lâmina. ■ Levante a cobertura para uma altura de corte superior. ■ Volte a montar a lâmina, tendo em conta a secção "INSTALAR A LÂMINA" neste manual.

PROBLEMA	CAUSA	SOLUÇÃO
A máquina de cortar relva para enquanto corta relva	<ul style="list-style-type: none"> ■ A bateria está gasta. ■ A máquina de cortar relva está em sobrecarga. ■ A cobertura da máquina de cortar relva está obstruída com relva e resíduos. ■ A bateria ou circuito da máquina de cortar relva está demasiado quente. (O indicador da energia na máquina de cortar relva acende a cor-de-laranja durante 10 segundos.) ■ A calha lateral está um pouco retraída pela força aplicada na pega. 	<ul style="list-style-type: none"> ■ Carregue a bateria. ■ Aumente a altura de corte ou abraque enquanto corta relva. ■ Elimine a obstrução na cobertura da máquina de cortar relva. Aumente a altura de corte ou corte de um modo mais estreito. ■ Deixe a bateria ou a máquina de cortar relva arrefecer até que a temperatura desça abaixo dos 67 °C. ■ Desbloquee as braçadeiras. Estique por completo as calhas laterais e volte a fixar as braçadeiras.
A máquina de cortar relva não aduba corretamente	<ul style="list-style-type: none"> ■ Existe relva molhada colada na parte inferior da cobertura. ■ A máquina de cortar relva está definida para cortar demasiada relva de uma única vez. 	<ul style="list-style-type: none"> ■ Espere que a relva seque antes de cortar. ■ Levante a cobertura para uma altura de corte superior.
Há muita vibração	<ul style="list-style-type: none"> ■ A lâmina de corte está solta. ■ A lâmina de corte está desequilibrada. ■ A lâmina de corte está dobrada. ■ O eixo do motor está dobrado. 	<ul style="list-style-type: none"> ■ Aperte o parafuso da lâmina. ■ Equilibre a lâmina, tendo em conta as instruções. ■ Substitua a lâmina. ■ Contacte o centro de reparação.
As braçadeiras de fixação da pega não podem ser fechadas na respetiva posição.	<ul style="list-style-type: none"> ■ As calhas laterais não estão esticadas por completo. 	<ul style="list-style-type: none"> ■ Estique por completo as calhas laterais e volte a fixar as braçadeiras.

GARANTIA

POLÍTICA DE GARANTIA EGO

Visite o website egopowerplus.com para os termos e condições completos da política de garantia da EGO.

LEGGERE TUTTE LE ISTRUZIONI!



LEGGERE IL MANUALE DI ISTRUZIONI

⚠️ Rischi residui! Le persone portatrici di dispositivi elettronici, ad esempio pacemaker, devono consultare il proprio medico prima di usare questo prodotto. L'utilizzo di apparecchi elettrici in prossimità di pacemaker cardiaci comporta il rischio di interferenze o malfunzionamento del pacemaker.

⚠️ AVVERTENZA! Per garantire sicurezza e affidabilità, tutte le riparazioni e sostituzioni devono essere eseguite da un tecnico qualificato.

Usò previsto e uso improprio: il prodotto è destinato al taglio dell'erba esclusivamente in giardini domestici. Non deve essere usato per tagliare erba particolarmente alta, asciutta o bagnata, come quella dei pascoli, né per triturare foglie. Usare l'apparecchio esclusivamente per gli scopi previsti. Altri utilizzi sono da considerarsi uso improprio.

SIMBOLI DI SICUREZZA

Lo scopo dei simboli di sicurezza è attirare l'attenzione dell'operatore sui possibili pericoli. I simboli di sicurezza e le relative spiegazioni richiedono la massima attenzione e comprensione da parte dell'operatore. Le avvertenze espresse dai simboli, da sole, non eliminano tutti i rischi. Le istruzioni e le avvertenze non sostituiscono le adeguate misure di prevenzione contro gli incidenti.

⚠️ AVVERTENZA! Accertarsi di aver letto e compreso tutte le istruzioni di sicurezza in questo manuale, inclusi tutti i simboli di avvertenza come **"PERICOLO"**, **"AVVERTENZA"** e **"ATTENZIONE"**, prima di usare questo apparecchio. Il mancato rispetto di tutte le istruzioni riportate di seguito comporta il rischio di scossa elettrica, incendio e/o lesioni gravi.

SIGNIFICATO DEI SIMBOLI

AVVERTENZA DI SICUREZZA: Indica **PERICOLO**, **AVVERTENZA** o **ATTENZIONE**. Può essere usato in combinazione con altri simboli.

⚠️ AVVERTENZA! L'uso di apparecchi elettrici può causare il lancio di oggetti estranei verso l'operatore, con il rischio di gravi lesioni agli occhi. Durante l'uso dell'apparecchio, indossare sempre occhiali protettivi o occhiali di sicurezza con protezioni laterali e, se necessario, una maschera facciale. Si consiglia di indossare una maschera di sicurezza con ampio campo visivo sopra gli occhiali o gli occhiali di sicurezza standard con protezioni laterali.

ISTRUZIONI DI SICUREZZA

Questa pagina illustra e descrive i simboli di sicurezza che possono comparire sul prodotto. Leggere, comprendere e seguire tutte le istruzioni sull'apparecchio prima di tentare di assemblarlo e ripararlo.

	Avvertenza di sicurezza	Precauzioni relative alla sicurezza dell'operatore.
	Indossare protezioni per gli occhi	Durante l'uso del prodotto, indossare sempre occhiali protettivi o occhiali di sicurezza con protezioni laterali e una maschera facciale.
	Leggere il manuale di istruzioni	Per ridurre il rischio di infortunio, l'utente deve leggere e comprendere tutte le istruzioni prima di usare questo prodotto.
	Fare attenzione alle lame affilate	Le lame continuano a ruotare dopo lo spegnimento del motore - Rimuovere la batteria prima delle operazioni di manutenzione. Spegner e rimuovere il gruppo batteria prima di effettuare operazioni di regolazione o pulizia.
	Tenere lontane le altre persone	Assicurarsi che eventuali altre persone e animali rimangano ad almeno 30m di distanza dal tosaerba quando è in funzione.
	Apparecchio di classe II	Apparecchio dotato di doppio isolamento.
IPX4	Simbolo IP	Protezione contro l'ingresso di acqua di livello 4
V	Volt	Voltaggio
A	Ampere	Corrente
Hz	Hertz	Frequenza (cicli al secondo)
W	Watt	Potenza
min	Minuti	Tempo

	Corrente alternata	Tipo di corrente
	Corrente continua	Tipo o caratteristica della corrente
n_0	Velocità a vuoto	Velocità di rotazione, senza carico
... /min	Al minuto	Rotazioni al minuto

NORME DI SICUREZZA SPECIFICHE PER TOSAERBA A BATTERIA

⚠ PERICOLO! Questo apparecchio è stato costruito per funzionare conformemente alle norme di sicurezza incluse in questo manuale. Come per tutti gli apparecchi elettrici, disattenzione o errori da parte dell'operatore comportano il rischio di lesioni gravi. Questo apparecchio comporta il rischio di lesioni a mani e piedi e di lancio di oggetti. Il mancato rispetto di tutte le istruzioni di sicurezza comporta il rischio di lesioni gravi o mortali.

⚠ AVVERTENZA! Durante l'uso dei tosaerba a batteria è necessario rispettare alcune elementari norme di sicurezza per ridurre il rischio di incendio, scossa elettrica e infortunio.

IMPORTANTE

LEGGERE ATTENTAMENTE PRIMA DELL'USO. CONSERVARE PER RIFERIMENTO FUTURO.

NORME DI SICUREZZA SPECIFICHE PER TOSAERBA A BATTERIA

ATTENZIONE! NON TOCCARE LA LAMA ROTANTE!

ROTANTE! FORMAZIONE ALL'USO

- Leggere attentamente le istruzioni. Familiarizzarsi con i comandi e l'uso corretto dell'apparecchio.
- Non consentire l'uso dell'apparecchio a bambini o persone che non hanno letto queste istruzioni. Normative locali possono limitare l'uso in base all'età.
- Non azionare mai l'apparecchio se sono presenti persone, soprattutto bambini, o animali nelle vicinanze.
- L'operatore o utente è responsabile per incidenti o rischi causati ad altre persone o proprietà.

PREPARAZIONE

- Durante l'uso dell'apparecchio, indossare sempre scarpe robuste e pantaloni lunghi.
- Non usare l'apparecchio a piedi nudi o indossando sandali aperti. Non indossare indumenti ampi o con stringhe e lacci.

- Ispezionare accuratamente l'area di lavoro e rimuovere eventuali pietre, rami, cavi, ossi e altri oggetti estranei.
- Prima dell'uso, ispezionare sempre visivamente l'apparecchio per verificare che le lame, i bulloni delle lame e il gruppo di taglio non siano usurati o danneggiati. Se le lame o i bulloni sono usurati o danneggiati, sostituire sempre tutto il gruppo per mantenere l'apparecchio bilanciato. Sostituire le etichette adesive danneggiate o illeggibili.

FUNZIONAMENTO

- Usare l'apparecchio solo alla luce del giorno o con una buona illuminazione artificiale.
- Evitare l'uso dell'apparecchio su erba bagnata, se possibile.
- Puntare bene i piedi sui terreni pendenti.
- Durante l'uso dell'apparecchio, camminare e non correre.
- Su terreni pendenti, lavorare sempre perpendicolarmente alla discesa, mai verso l'alto o verso il basso.
- Prestare particolare attenzione quando si cambia direzione sui terreni pendenti.
- Non usare l'apparecchio se la pendenza del terreno è eccessiva.
- Prestare particolare attenzione quando si inverte la direzione dell'apparecchio o lo si tira verso di sé.
- Bloccare le lame se è necessario inclinare l'apparecchio per attraversare superfici non erbose o durante il trasporto da/verso l'area di lavoro.
- Non usare l'apparecchio se i dispositivi di protezione sono danneggiati o mancanti, ad esempio se manca il deflettore e/o il sacco raccogliherba.
- Accendere il motore conformemente alle istruzioni e tenendo i piedi lontani dalle lame.
- Non inclinare l'apparecchio quando si accende il motore, a meno che non sia espressamente indicato. In tal caso, non inclinare l'apparecchio più dello stretto necessario e sollevare solo la parte distante dall'operatore. Assicurarsi sempre che entrambe le mani siano in posizione operativa prima di riportare l'apparecchio sul terreno.
- Non avviare l'apparecchio stando davanti all'apertura di scarico.
- Non posizionare mani o piedi in prossimità o sotto le parti mobili. Nel caso di tosaerba rotativi, tenersi sempre distanti dalle aperture di scarico.
- Non sollevare o trasportare l'apparecchio quando il motore è in funzione.

- Spegner e rimuovere il gruppo batteria (o il dispositivo di disattivazione) ed accertarsi che le parti mobili siano completamente ferme prima di regolare o pulire l'apparecchio e:
 - prima di lasciare l'apparecchio incustodito;
 - prima di eliminare un'ostruzione o liberare lo scivolo di scarico;
 - prima di controllare, pulire o eseguire lavori sull'apparecchio;
 - dopo aver urtato un oggetto estraneo (ispezionare l'apparecchio per verificare che non abbia subito danni e ripararlo se necessario);
- In caso di vibrazioni anomale (controllare immediatamente):
 - verificare l'assenza di danni;
 - sostituire o riparare eventuali componenti danneggiati;
 - controllare l'assenza di componenti allentati e serrarli se necessario.

MANUTENZIONE E CONSERVAZIONE

- Prestare attenzione durante la regolazione dell'apparecchio per evitare di intrappolare le dita tra le lame rotanti e le parti fisse dell'apparecchio.
- Mantenere serrati tutti i dadi, le viti e i bulloni per garantire che l'apparecchio sia in condizioni operative sicure.
- Controllare frequentemente che il sacco raccogliherba non sia usurato o danneggiato.
- Per motivi di sicurezza, sostituire le parti usurate o danneggiate.
- Le operazioni di pulizia e manutenzione non devono essere effettuate da bambini non supervisionati.
- Manipolare le lame con cautela perché, anche se la batteria è stata scollegata o rimossa, le lame possono comunque muoversi.
- Accertarsi di sostituire gli accessori di taglio esclusivamente con ricambi del tipo corretto.

SICUREZZA PERSONALE

Possono verificarsi incidenti anche mortali se l'operatore non si accorge della presenza di bambini. I bambini sono spesso attratti dal tosaerba e il suo funzionamento e non comprendono i rischi correlati. Non supporre mai che i bambini rimangano dove sono stati visti l'ultima volta.

- Tenere i bambini fuori dall'area di lavoro e sotto la stretta supervisione di un altro adulto responsabile.
- Rimanere sempre vigili e spegnere il tosaerba se un bambino accede all'area di lavoro.
- Prestare particolare attenzione in prossimità di angoli ciechi, porte d'ingresso, cespugli, alberi o altri oggetti che possono impedire di accorgersi dell'avvicinamento di un bambino.
- Sorvegliare i bambini per assicurarsi che non giochino con l'apparecchio.

- Spegner sempre il tosaerba prima di rimuovere il gruppo batteria. Bloccare le lame se è necessario inclinare l'apparecchio per attraversare superfici non erbose o durante il trasporto da/verso l'area di lavoro.

FUNZIONAMENTO

FUNZIONAMENTO GENERALE

- Leggere attentamente questo manuale nella sua interezza prima di tentare di assemblare il tosaerba. Leggere, comprendere e seguire tutte le istruzioni riportate sul tosaerba e nel manuale prima dell'uso. Familiarizzarsi con tutti i comandi e l'uso corretto del tosaerba prima dell'uso. Conservare il manuale in un luogo sicuro per riferimento futuro e per acquistare parti di ricambio.
- Usare l'apparecchio appropriato - Non usare l'apparecchio per scopi diversi da quelli per cui è progettato.
- Non allungarsi eccessivamente - Tenere i piedi a contatto con il pavimento e mantenere sempre l'equilibrio .
- Eventuali oggetti colpiti dalla lama del tosaerba possono causare lesioni gravi. Ispezionare attentamente il prato e rimuovere tutti gli oggetti estranei prima di usare l'apparecchio.
- Prima e durante l'uso dell'apparecchio in retromarcia, guardare dietro di sé e verso il basso per verificare l'assenza di bambini piccoli e altre persone.
- Il tosaerba non è un giocattolo. Pertanto, è necessario prestare estrema attenzione in ogni momento. Questo apparecchio è progettato per eseguire una sola funzione: tagliare erba. Non usarlo per altri scopi.
- Non forzare il tosaerba - Sarà più efficace e sicuro se usato al regime per cui è stato progettato.
- Prima dell'uso, ispezionare sempre visivamente l'apparecchio per verificare che le lame, i bulloni delle lame e il gruppo di taglio non siano usurati o danneggiati. Se le lame, i bulloni o altri componenti sono usurati o danneggiati, sostituire sempre tutto il gruppo per mantenere l'apparecchio bilanciato. Sostituire le etichette adesive danneggiate o illeggibili.
- Prestare particolare attenzione quando si inverte la direzione dell'apparecchio o lo si tira verso di sé.
- Ispezionare accuratamente l'area in cui verrà usato l'apparecchio. Rimuovere oggetti come pietre, rami, cavi, giocattoli e altri oggetti estranei per non inciamparvi ed evitare che vengano raccolti e lanciati dalla lama. Eventuali oggetti lanciati dall'apparecchio possono causare lesioni gravi. Pianificare il percorso dell'apparecchio per evitare lo scarico di materiale verso strade, marciapiedi, altre persone, ecc. Inoltre, evitare di scaricare materiale contro pareti o ostruzioni per evitare che il materiale rimbalzi verso l'operatore.
- Per evitare il rischio di contatto con la lama o di lesioni causate da oggetti lanciati dall'apparecchio, rimanere

dietro l'impugnatura e tenere bambini, altre persone, assistenti e animali ad almeno 30m di distanza dal tosaerba quando è in funzione. Arrestare la macchina se un'altra persona accede all'area di lavoro.

- Indossare sempre occhiali di sicurezza o protettivi durante l'uso dell'apparecchio e durante le operazioni di regolazione o riparazione per evitare lesioni oculari. Eventuali oggetti lanciati verso l'operatore possono causare lesioni gravi agli occhi. Indossare sempre una maschera facciale o antipolvere se l'ambiente è polveroso.
- Vestirsi adeguatamente - Non indossare indumenti ampi o gioielli perché possono impigliarsi nelle parti in movimento. Si raccomanda l'uso di guanti in gomma e calzature robuste durante i lavori all'aperto. Indossare robuste calzature di lavoro antiscivolo e pantaloni e magliette aderenti. Si consiglia l'uso di magliette a manica lunga, pantaloni lunghi e calzature con la punta in ferro. Non usare mai il tosaerba a piedi nudi o indossando sandali o calzature scivolose o leggere (ad esempio in tela).
- Non posizionare mani o piedi in prossimità delle parti rotanti o sotto il gruppo di taglio. Il contatto con le lame comporta il rischio di lesioni a mani e piedi.
- Se il coperchio dello scarico è danneggiato o mancante, sussiste il rischio di lesioni dovute al contatto con la lama o con oggetti lanciati dall'apparecchio.
- Numerosi incidenti sono dovuti al trascinarsi del tosaerba sui piedi durante una caduta causata da scivolamenti o inciampamenti. Non appoggiarsi al tosaerba durante la caduta: rilasciare immediatamente l'impugnatura.
- Non tirare mai il tosaerba verso di sé mentre si cammina. Se è necessario fare arretrare il tosaerba per liberarlo da un muro o un'ostruzione, guardare preventivamente dietro di sé e in basso per evitare di inciampare, quindi procedere come descritto di seguito.
 - Allontanarsi dal tosaerba fino a stendere completamente le braccia.
 - Accertarsi di essere in equilibrio e con i piedi completamente a contatto con il terreno.
 - Tirare lentamente il tosaerba verso di sé, senza superare metà della distanza.
 - Se necessario, ripetere questi passaggi.
- Non usare il tosaerba se si è sotto l'effetto di droghe o alcol.
- Non usare l'apparecchio se i dispositivi di protezione sono danneggiati o mancanti, ad esempio se manca il deflettore e/o il sacco raccogliherba.

- Rimanere vigili - Prestare attenzione al lavoro che si sta effettuando. Usare il buon senso. Non usare il tosaerba se si è stanchi.
- L'impugnatura di controllo del motore/lama è un dispositivo di sicurezza. Non tentare di manomettere il suo funzionamento per non disattivare il dispositivo di sicurezza ed evitare il rischio di lesioni dovute al contatto con la lama rotante. L'impugnatura di controllo del motore/lama deve essere perfettamente funzionante in entrambe le direzioni e deve ritornare automaticamente alla posizione originale quando viene rilasciata.
- Evitare gli ambienti pericolosi - Non usare il tosaerba in ambienti umidi o bagnati.
- Non usare l'apparecchio sotto la pioggia.
- Mantenere sempre i piedi a contatto con il terreno. Scivolamenti e cadute possono causare lesioni gravi. Se si percepisce l'imminente perdita di equilibrio, rilasciare immediatamente l'impugnatura di controllo del motore/lama; la lama smetterà di ruotare entro tre secondi.
- Arrestare la lama durante l'attraversamento di strade, vialetti o sentieri in ghiaia.
- Se l'apparecchio inizia a vibrare in modo anomalo, arrestare il motore e individuare immediatamente la causa. La vibrazione è generalmente sintomo di un problema:
 - verificare l'assenza di danni;
 - sostituire o riparare eventuali componenti danneggiati;
 - controllare l'assenza di componenti allentati e serrarli se necessario.
- Non usare mai il tosaerba senza il paraspruzzi posteriore, lo sportello dello scarico, il sacco raccogliherba, l'accessorio per pacciatura, lo scivolo di scarico laterale, l'impugnatura di controllo del motore/lama o altri dispositivi di sicurezza correttamente posizionati e funzionanti. Non usare il tosaerba con dispositivi di sicurezza danneggiati per evitare il rischio di lesioni.
- In caso di situazioni non contemplate in questo manuale, agire con cautela e usare il buon senso. Contattare il centro di assistenza EGO per assistenza.
- Usare l'apparecchio esclusivamente con i gruppi batteria e caricabatteria elencati di seguito.

GRUPPO BATTERIA	CARICABATTERIA
BA1120E, BA2240E, BA2800, BA3360, BA4200	CH5500E, CH2100E

- Il gruppo batteria deve essere rimosso dall'apparecchio prima che sia smaltito.

- La batteria deve essere smaltita in modo sicuro.

USO SU TERRENI PENDENTI

I terreni pendenti hanno un ruolo primario negli incidenti relativi a scivolamenti e cadute, che comportano il rischio di lesioni gravi. Puntare bene i piedi sui terreni pendenti. I lavori su terreni pendenti richiedono estrema cautela. Se si percepisce insicurezza su un terreno pendente, non usare l'apparecchio.

Da fare:

- Su terreni pendenti, lavorare sempre perpendicolarmente alla discesa, mai verso l'alto o verso il basso. Prestare particolare attenzione quando si cambia direzione sui terreni pendenti.
- Prestare attenzione a buche, solchi, pietre, oggetti nascosti o protuberanze che possono causare scivolamenti o cadute. L'erba alta può nascondere eventuali ostacoli.

Da evitare:

- Non usare il tosaerba in prossimità di discese ripide, fossi o argini per evitare di perdere l'equilibrio e cadere.
- Non usare l'apparecchio su terreni con pendenza superiore a 15 gradi.
- Non usare l'apparecchio sull'erba bagnata. Le superfici scivolose comportano il rischio di caduta.

RIPARAZIONI

AVVERTENZA! I componenti del sacco raccogliherba, il coperchio dello scarico, lo scivolo di scarico laterale, l'accessorio per pacciamatura e il paraspruzzi posteriore sono soggetti a usura e danni e al conseguente rischio di lesioni dovute al contatto con le parti in movimento o oggetti lanciati dal tosaerba. Per ragioni di sicurezza, controllare frequentemente tutti i componenti e sostituire immediatamente quelli danneggiati con parti di ricambio identiche, riportate in questo manuale. Contattare il servizio clienti EGO o il centro di assistenza EGO più vicino: riparazioni e sostituzioni devono essere effettuate da un tecnico qualificato!

- Se l'interruttore di protezione contro il sovraccarico integrato nel tosaerba scatta frequentemente, contattare il servizio clienti EGO o il centro di assistenza EGO.
- Non pulire l'apparecchio con tubi per innaffiare; evitare le infiltrazioni d'acqua nel motore e nelle connessioni elettriche.
- Rimuovere la chiave e riporre il tosaerba in interni quando non è in uso. Attendere che il motore si raffreddi prima di riporre l'apparecchio. Conservare il tosaerba in un luogo asciutto, elevato o chiuso a chiave, fuori dalla portata dei bambini.

- Per la riparazione dell'apparecchio, usare esclusivamente le parti di ricambio elencate in questo manuale. L'uso di parti che non soddisfano le specifiche delle parti originali possono compromettere le prestazioni e la sicurezza del tosaerba.
- Rimuovere o scollegare il gruppo batteria prima di riparare, pulire o rimuovere materiale dal tosaerba.
- Seguire le istruzioni relative alla sostituzione degli accessori.
- Tenere le impugnature asciutte, pulite e prive di olio e grasso.
- Per ridurre il rischio di incendio, mantenere il vano motore privo di accumuli di detriti, erba e foglie.
- Controllare a brevi intervalli che la lama e i bulloni di fissaggio del motore siano serrati correttamente. Inoltre, ispezionare visivamente la lama per verificare l'assenza di danni (verificare ad esempio che non sia piegata, incrinata o usurata) Sostituire la lama esclusivamente con una lama di ricambio identica, riportata in questo manuale.
- Mantenere il tosaerba in buono stato - Mantenere le lame affilate e pulite per prestazioni sicure e ottimali. Le lame del tosaerba sono affilate e comportano il rischio di lesioni. Proteggere la lama o indossare guanti e prestare particolare attenzione durante la manutenzione del gruppo di taglio.
- Non rimuovere o alterare i dispositivi di sicurezza. Controllare con regolarità che funzionino correttamente. Non effettuare mai operazioni suscettibili di interferire con la destinazione d'uso di un dispositivo di sicurezza o ridurre il grado di protezione fornito.
- Arrestare sempre il motore prima di regolare una ruota o l'altezza di taglio.
- Dopo aver urtato un oggetto estraneo, arrestare il motore, rimuovere la chiave e ispezionare accuratamente il tosaerba per verificare che non abbia subito danni. Riparare il danno prima di usare il tosaerba.
- Mantenere pulite le etichette operative e di sicurezza e sostituirle se necessario. Contattare il servizio clienti EGO o il centro di assistenza EGO più vicino: riparazioni e sostituzioni devono essere effettuate da un tecnico qualificato!
- **CONSERVARE QUESTE ISTRUZIONI.** Consultarle frequentemente e usarle per istruire gli altri utenti dell'apparecchio. Se si presta questo apparecchio ad altre persone, allegare anche queste istruzioni per evitare l'uso errato dell'apparecchio e il rischio di infortunio.

USO E MANUTENZIONE DELLA BATTERIA

- Per salvaguardare le risorse naturali, riciclare o smaltire le batterie adeguatamente. Questo prodotto contiene batterie agli ioni di litio. Normative locali o nazionali possono vietare lo smaltimento delle batterie agli ioni di litio insieme ai rifiuti indifferenziati. Contattare le autorità competente per informazioni relative alle opzioni per il riciclo e/o lo smaltimento.
- Dopo la rimozione del gruppo batteria a scopo di smaltimento o riciclo, coprire i terminali del gruppo batteria con del robusto nastro isolante. Non tentare di distruggere o disassemblare il gruppo batteria o di rimuoverne i componenti. Le batterie agli ioni di litio devono essere riciclate o smaltite adeguatamente. Inoltre, non toccare mai i terminali con oggetti metallici e/o parti del corpo per evitare il rischio di cortocircuito. Tenere fuori dalla portata dei bambini. Il mancato rispetto di queste avvertenze comporta il rischio di incendio e/o gravi infortuni.
- **L'UTILIZZO IMPROPRIO DELL'UTENSILE ELETTRICO PUÒ CAUSARE FUORIUSCITE DI LIQUIDO DALLA BATTERIA: EVITARE IL CONTATTO CON TALE LIQUIDO. IN CASO DI CONTATTO ACCIDENTALE, LAVARE CON ACQUA. SE IL LIQUIDO ENTRA IN CONTATTO CON GLI OCCHI, CONSULTARE UN MEDICO.** Il liquido fuoriuscito dalla batteria può causare irritazioni o ustioni.

SPECIFICHE TECNICHE

Numero modello	LM2120E	LM2120E-SP
Sistema di avanzamento automatico	No	Si
Voltaggio	56 V	56 V
Velocità a vuoto	2800 /min	2800 /min
Altezza di taglio	28-94 mm	28-94 mm
Numero di posizioni altezza di taglio	6	6
Dimensioni dell'apparecchio	53 cm	53 cm
Ampiezza di taglio	52 cm	52 cm
Volume del sacco raccogliherba	70 L	70 L
Peso (senza gruppo batteria)	22,10 kg	24,55 kg
Modello della lama	AB2101	AB2101
Livello di potenza sonora misurato L_{WA} $K=2$ dB(A)	89,9 dB(A)	89,5 dB(A)

Livello di pressione sonora a livello dell'orecchio dell'operatore L_{PA} $K=3$ dB(A)	87 dB(A)	87 dB(A)	
Livello di potenza sonora garantito L_{WA} (conformemente a 2000/14/EC)	92 dB(A)	92 dB(A)	
Vibrazioni a_h $K=1,5$ m/s ²	Impugnatura sinistra	$\leq 2,5$ m/s ²	$\leq 2,5$ m/s ²
	Impugnatura destra	$\leq 2,5$ m/s ²	$\leq 2,5$ m/s ²
Freno lama	Si	Si	

IT

- Il valore totale di vibrazioni indicato è stato misurato tramite il metodo di collaudo standard e può essere utilizzato per confrontare l'apparecchio con altri prodotti analoghi.
- Il valore totale di vibrazioni indicato può essere utilizzato anche per una valutazione preliminare dei livelli di esposizione.

ATTENZIONE! L'emissione di vibrazioni durante l'uso effettivo dell'apparecchio può variare rispetto al valore indicato in base a come viene utilizzato l'utensile. Per proteggersi, l'operatore deve indossare guanti e dispositivi di protezione per le orecchie in base alle reali condizioni d'uso.

CONTENUTO DELLA CONFEZIONE

DENOMINAZIONE DEL COMPONENTE	QUANTITÀ
Tosaerba	1
Sacco raccogliherba	1
Telaio del sacco raccogliherba	1
Accessorio per pacciamatura	1
Chiave di sicurezza	2
Manuale di istruzioni	1

DESCRIZIONE

DESCRIZIONE DEL TOSAERBA (Fig. A, B e C)

1. Pulsante di sicurezza
2. Interruttore di avanzamento automatico
3. Morsetto di bloccaggio dell'impugnatura
4. Sportello scarico posteriore
5. Impugnatura posteriore
6. Coperchio vano batteria

7. Fanali LED
8. Impugnatura anteriore
9. Ruota anteriore
10. Leva regolazione altezza di taglio
11. Unità tosaerba
12. Ruota posteriore
13. Sacco raccogliherba
14. Leva di regolazione rapida
15. Binario laterale
16. Leva di controllo velocità di avanzamento automatico
17. Barra di avviamento (Interruttore a leva)
18. Impugnatura
19. Accessorio per pacciamatura
20. Supporto posizionamento verticale
21. Paraspruzzi posteriore
22. Interruttore fanali LED
23. Spia di carica

IT

FUNZIONAMENTO

ASSEMBLAGGIO DEL SACCO RACCOGLIERBA

- 1) Fare scorrere il sacco raccogliherba sul telaio (Fig. D).
- 2) Assemblare i fermagli superiori sul telaio (Fig. E), quindi assemblare i due fermagli laterali. Assemblare per ultimo il fermaglio inferiore.
- 3) Il sacco raccogliherba completamente assemblato è mostrato in Fig. F.

ATTENZIONE! In condizioni d'uso normali, il materiale del sacco è soggetto a usura. Per ridurre il rischio di lesioni, ispezionare frequentemente il sacco e sostituirlo se presenta segni di usura o deterioramento. Usare esclusivamente sacchi raccogliherba costruiti per questo tosaerba.

REGOLAZIONE DELL'IMPUGNATURA PIEGHEVOLE

AVVERTENZA! Non tentare di avviare il tosaerba finché l'impugnatura non è stata bloccata in una delle tre posizioni operative predefinite (POSIZIONE OPERATIVA SUPERIORE, POSIZIONE OPERATIVA INTERMEDIA o POSIZIONE OPERATIVA INFERIORE).

Il tosaerba è consegnato con l'impugnatura in POSIZIONE BLOCCATA (Fig. G).

- 1) Tenere premuta la leva di regolazione rapida per sbloccare l'impugnatura dalla POSIZIONE BLOCCATA (Fig. H-1).

- 2) Sollevare l'impugnatura dalla posizione ripiegata, quindi rilasciare la leva. Ruotare delicatamente l'impugnatura verso l'alto fino a sentire il perno che scatta in una delle diverse posizioni, come illustrato in Fig. H.

- POSIZIONE DI INSTALLAZIONE/RIMOZIONE DEL SACCO RACCOGLIERBA (Fig. H-2).
- POSIZIONE OPERATIVA SUPERIORE (Fig. H-3).
- POSIZIONE OPERATIVA INTERMEDIA (Fig. H-4).
- POSIZIONE OPERATIVA INFERIORE (Fig. I-5).

INSTALLAZIONE/RIMOZIONE DEL SACCO RACCOGLIERBA/ACCESSORIO PER PACCIAMATURA

AVVERTENZA! Non regolare mai il tosaerba senza aver prima arrestato il motore, rimosso la chiave di sicurezza e atteso il completo arresto della lama.

ATTENZIONE! Installare sul tosaerba uno degli accessori prima dell'uso.

- Installare/rimuovere il sacco raccogliherba (Fig. I)

ATTENZIONE! Rimuovere l'accessorio per pacciamatura preinstallato prima di installare il sacco raccogliherba sul tosaerba.

- Installare/rimuovere l'accessorio per pacciamatura (Fig. J)

REGOLARE L'ALTEZZA DI TAGLIO (Fig. K)

AVVERTENZA! Tenere i piedi distanti dal tosaerba durante la regolazione dell'altezza. Il tosaerba è dotato di 5 altezze di taglio, da 28 mm a 94 mm. Selezionare l'altezza di taglio più adatta al tipo e alle condizioni dell'erba.

NOTA: Durante il trasporto dell'apparecchio, accertarsi che l'altezza di taglio sia impostata in posizione 3 o superiore per evitare di danneggiare la lama.

INSTALLARE/RIMUOVERE IL GRUPPO BATTERIA (Fig. L)

Ricaricare prima del primo utilizzo.

AVVERTENZA! In caso di componenti danneggiati o mancanti, non tentare di installare il gruppo batteria sul tosaerba e non usare il tosaerba finché le parti danneggiate o mancanti sono state sostituite per evitare il rischio di lesioni gravi.

- **Installazione**
Spingere il gruppo batteria nel vano batteria fino a udire un "clic".
- **Rimozione**

Premere il pulsante di rilascio della batteria nel vano batteria.

Descrizione delle parti in Fig. L:

L-1	Fessura per chiave di sicurezza
L-2	Chiave di sicurezza
L-3	Pulsante di rilascio della batteria

NOTA: accertarsi che il dispositivo di chiusura sul tosaerba si incastrì in posizione e che il gruppo batteria sia fissato al tosaerba prima di iniziare il lavoro.

AVVIARE/ARRESTARE IL TOSAERBA

⚠ AVVERTENZA! L'uso del tosaerba può causare il lancio di oggetti estranei verso l'operatore o altre persone, con il rischio di lesioni gravi agli occhi. Indossare sempre occhiali di sicurezza durante l'uso, la regolazione o la riparazione del tosaerba.

⚠ AVVERTENZA! Non usare il tosaerba sotto la pioggia.

⚠ AVVERTENZA! Assicurarsi che eventuali altre persone e animali rimangano ad almeno 30m di distanza dal tosaerba quando è in funzione.

⚠ AVVERTENZA! La lama continua a ruotare per qualche secondo dopo lo spegnimento del tosaerba. Attendere che il motore/lama smetta di ruotare prima di riavviarlo. Non accendere e spegnere il tosaerba in rapida successione.

NOTA: Affinché il motore possa essere avviato devono essere soddisfatte le seguenti condizioni:

- l'impugnatura è bloccata in una delle due posizioni operative
- i binari laterali sono completamente estesi (Fig. M);
- entrambi i morsetti verdi di bloccaggio dell'impugnatura sono chiusi saldamente (Fig. N).

⚠ ATTENZIONE! Non tentare di disabilitare il funzionamento del pulsante di sicurezza e della barra di avanzamento.

Avvio (Fig. P)

- 1) Installare il gruppo batteria sul tosaerba, inserire la chiave di sicurezza nell'apposita fessura e chiudere il coperchio del vano batteria (Fig. L).
- 2) Come illustrato in Fig. O, premere il pulsante di sicurezza.
- 3) Tenendo premuto il pulsante di sicurezza, tirare la barra di avviamento verso l'impugnatura e rilasciare il pulsante di sicurezza.

Arresto (Fig. Q)

- 1) Rilasciare la barra di avviamento.
- 2) Il freno elettrico del meccanismo di freno automatico arresterà la rotazione della lama entro 3 secondi dal rilascio della barra di avviamento.

SISTEMA DI AVANZAMENTO AUTOMATICO A VELOCITÀ VARIABILE

Il tosaerba LM2120E-SP è dotato di un sistema di avanzamento automatico a velocità variabile. Il sistema è indipendente dall'interruttore della lama; non dipende dalla rotazione della lama.

Per usare il sistema senza la rotazione della lama, tirare la leva di avanzamento automatico verso l'impugnatura.

Per spegnere il sistema di avanzamento automatico, rilasciare la leva di avanzamento automatico.

Il sistema è dotato di velocità variabile. Per aumentare la velocità, spostare la leva di controllo della velocità di avanzamento automatico in avanti. Per diminuire la velocità, spostare la leva di controllo della velocità di avanzamento automatico all'indietro (Fig. R).

Funzionamento con la lama rotante di taglio

1. Avviare il tosaerba.
2. Tenendo la barra di avanzamento contro l'impugnatura con la mano sinistra, tirare la leva di avanzamento automatico verso l'impugnatura con la mano destra.
3. Tenere la barra di avanzamento e la leva di avanzamento automatico simultaneamente contro l'impugnatura con la mano destra, e usare la mano sinistra per regolare la leva di controllo della velocità di avanzamento automatico per selezionare la velocità desiderata.

NOTA: taglio può risultare più facile tagliare l'erba intorno a un oggetto, ad esempio un albero o una pianta, con il sistema di avanzamento automatico disattivato.

⚠ AVVERTENZA! Per ridurre il rischio di lesioni, non tentare di disabilitare il funzionamento dell'interruttore o del sistema di avanzamento automatico. Usare l'avanzamento automatico esclusivamente per lo scopo previsto.

LUCI LED SUL TOSAERBA (Fig. A-7)

Premere l'interruttore (Fig. C-22) per accendere/spegnere le luci LED situate sulla parte anteriore del vano batteria.

SPIA DI CARICA SUL TOSAERBA (Fig. S)

Il tosaerba è dotato di una spia di carica che indica il livello di carica del gruppo batteria e lo stato operativo del tosaerba. La spia si illumina quando la lama è in rotazione o quando le luci LED sono accese.

Spia di carica sul tosaerba	Significato	Azione
Verde fissa	Il tosaerba è in funzione correttamente; la batteria è carica per almeno il 15%	N/A
Rossa fissa	Batteria debole	Arrestare il tosaerba e ricaricare il gruppo batteria
Rossa lampeggiante	Batteria quasi scarica	Arrestare il tosaerba e ricaricare il gruppo batteria
Arancione fissa	Il tosaerba o il gruppo batteria è surriscaldato	Rimuovere la batteria dal tosaerba, spostarli in un luogo all'ombra e lasciarli raffreddare per almeno 15 minuti
Arancione lampeggiante	Il motore è sovraccarico	Ridurre la velocità o aumentare l'altezza di taglio per ridurre il carico.

PROTEZIONE CONTRO IL SOVRACCARICO

Per evitare danni causati da condizioni di sovraccarico, non tentare di tagliare troppa erba in una sola volta. Ralentare la velocità di taglio o aumentare l'altezza di taglio.

Il tosaerba è dotato di un circuito di protezione integrato contro il sovraccarico. Se il tosaerba è sovraccarico, il motore si arresterà e la spia di carica sul tosaerba lampeggerà di arancione. Rimuovere il gruppo batteria dal tosaerba. Controllare se l'erba si è accumulata sotto l'unità tosaerba e rimuoverla se necessario, quindi installare la batteria e riavviare il tosaerba.

PROTEZIONE CONTRO IL SURRISCALDAMENTO DELLA BATTERIA

Il gruppo batteria genera calore quando il tosaerba è in funzione. Il calore si dissipa più lentamente in ambienti caldi. Se la temperatura della batteria supera i 70°C quando il tosaerba è in funzione, il circuito di protezione spegnerà immediatamente il tosaerba per evitare che il gruppo batteria subisca danni. La spia di carica sul tosaerba si illuminerà di arancione. Rilasciare la barra di avviamento, attendere che la temperatura del gruppo batteria scenda fino a circa 67°C, quindi riavviare il tosaerba.

MANUTENZIONE

AVVERTENZA! Per evitare lesioni gravi, rimuovere sempre la chiave di sicurezza dal tosaerba prima delle operazioni di pulizia, manutenzione o trasporto del tosaerba

AVVERTENZA! Per la riparazione dell'apparecchio, usare esclusivamente parti di ricambio identiche. L'uso di altri ricambi comporta situazioni pericolose o il rischio di danni all'apparecchio. Per garantire sicurezza e affidabilità, tutte le riparazioni e sostituzioni devono essere eseguite da un tecnico qualificato.

PULIZIA DEL TOSAERBA

Pulire la parte inferiore del tosaerba dopo ogni utilizzo per evitare l'accumulo di erba tagliata, foglie, sporcizia e altri detriti.

Rimuovere gli eventuali accumuli di erba e foglie sopra o intorno all'albero motore (esclusivamente LM2120E-SP) e alla ventola motore (non usare acqua). Pulire la superficie con un panno umido.

RIMOZIONE/INSTALLAZIONE DELLA LAMA

AVVERTENZA! Proteggere sempre le proprie mani indossando guanti robusti o avvolgendo i bordi di taglio con stracci o altri materiali durante le operazioni di manutenzione sulla lama del tosaerba. Rimuovere sempre il gruppo batteria durante la riparazione o il trasporto del tosaerba.

■ Rimuovere la lama

Come illustrato in Fig. T.

NOTA: se il bullone ruota insieme all'albero motore quando viene allentato, ruotare la ventola a mano per allineare i fori nella ventola con i fori nella lama, e posizionare un'asta metallica attraverso i fori allineati (Fig. U).

■ Installare la lama

Seguendo la sequenza di assemblaggio illustrata in Fig. V, con la ventola rivolta verso l'unità tosaerba e il lato stampato della lama rivolto verso l'esterno, allineare i fori nella ventola con i fori nella lama (Fig. W), quindi serrare la lama come illustrato in Fig. X.

Descrizione delle parti in Fig. U e V:

U-1	Stabilizzatore 1	V-2	Flangia interna
U-2	Stabilizzatore 2	V-3	Lama
U-3	Chiave 14 mm	V-4	Flangia esterna
V-1	Ventola	V-5	Bullone

NOTA: la coppia di serraggio raccomandata per la lama è 49-59Nm.

CONSERVAZIONE DEL TOSAERBA

- Rimuovere il gruppo batteria dal tosaerba e riporlo in un luogo pulito, fresco e asciutto. Non conservarlo in prossimità di sostanze corrosive, ad esempio fertilizzante o sale.
- Conservare il tosaerba in uno spazio coperto e chiuso, fresco e asciutto, fuori dalla portata dei bambini.
- Non coprire il tosaerba con teli cerati. I teli cerati intrappolano l'umidità intorno al tosaerba, favorendo la formazione di ruggine e corrosioni.
- Il tosaerba può essere conservato in posizione verticale o orizzontale (Fig. Y).

AVVERTENZA! Se il tosaerba inizia a inclinarsi quando è in posizione verticale può causare danni o lesioni. Stabilizzare sempre il tosaerba quando è in posizione verticale e tenerlo fuori dalla portata dei bambini. Se possibile, conservarlo in posizione piana.

Protezione dell'ambiente



Non smaltire gli apparecchi elettrici, caricabatteria e batterie/batterie ricaricabili insieme ai rifiuti indifferenziati!

Conformemente alle direttive europee 2012/19/EU e 2006/66/CE, i rifiuti di apparecchiature elettriche ed elettroniche, pile e accumulatori devono essere raccolti separatamente e smaltiti nel rispetto dell'ambiente.

Se gli apparecchi elettrici vengono smaltiti nelle discariche, le sostanze pericolose possono infiltrarsi nelle falde acquifere e contaminare la catena alimentare, con effetti dannosi sulla salute e il benessere.

DICHIARAZIONE DI CONFORMITÀ CE

Il costruttore, EGO EUROPE GMBH

Wahlwiesenstrasse 1, D-71711 Steinheim an der Murr Deutschland

dichiara che il **tosaerba a batteria li-ion 56 V LM2120E/LM2120E-SP** è conforme ai requisiti essenziali in materia di salute e sicurezza delle seguenti direttive:

2006/42/CE, 2014/30/UE, 2011/65/UE, 2000/14/CE

Standard e specifiche tecniche conformi a:

EN 60335-1, EN 60335-2-77, EN 62233, EN 55014-1, EN 55014-2

	LM2120E	LM2120E-SP
Livello di potenza sonora misurato:	89,9 dB(A)	89,5 dB(A)
Livello di potenza sonora garantito:	92 dB(A)	92 dB(A)

Procedura di valutazione della conformità dell'Allegato VI seguita secondo i termini di 2000/14/CE.

Corpo notificato: Société Nationale de Certification et d'Homologation

Numero corpo notificato: 0499

Peter Melrose
Direttore responsabile di
EGO Europe GmbH

Dong Jianxun
Responsabile Qualità Chervon

* (Rappresentante autorizzato per CHERVON e responsabile della documentazione tecnica)

01/09/2016

IT

RISOLUZIONE DEL PROBLEMI

AVVERTENZA! Rimuovere sempre la chiave di sicurezza e il gruppo batteria durante la riparazione o il trasporto del tosaerba. Proteggere sempre le proprie mani indossando guanti robusti o avvolgendo i bordi di taglio con stracci o altri materiali durante le operazioni di manutenzione sulla lama del tosaerba.

PROBLEMA	CAUSA	SOLUZIONE
IT Il tosaerba non si avvia	<ul style="list-style-type: none"> ■ Il gruppo batteria è scarico. ■ Il gruppo batteria non è installato correttamente nel vano batteria. ■ La temperatura del gruppo batteria o del tosaerba è troppo elevata (la spia di carica sul tosaerba si illuminerà di arancione per 10 secondi). ■ I binari laterali non sono estesi alla lunghezza massima e i morsetti non sono bloccati in posizione. ■ L'impugnatura è impostata in una delle due posizioni operative. ■ Il tosaerba è ostruito da erba e detriti. 	<ul style="list-style-type: none"> ■ Ricaricare il gruppo batteria. ■ Spingere il gruppo batteria nel vano batteria fino a udire un "clic". ■ Attendere che la temperatura del gruppo batteria o del tosaerba scenda al di sotto di 67°C. ■ Estendere completamente l'impugnatura e bloccare entrambe i morsetti. ■ Impostare l'impugnatura in una delle due posizioni operative. ■ Pulire il tosaerba e assicurarsi che la lama sia libera di muoversi.
Il tosaerba non taglia in modo uniforme	<ul style="list-style-type: none"> ■ La lama è smussata. ■ L'altezza di taglio non è adeguata. ■ La lama è assemblata in modo errato. 	<ul style="list-style-type: none"> ■ Affilare o sostituire la lama. ■ Aumentare l'altezza di taglio. ■ Riassemblare la lama seguendo le istruzioni alla sezione INSTALLAZIONE DELLA LAMA di questo manuale.
Il tosaerba si arresta durante l'uso	<ul style="list-style-type: none"> ■ Il gruppo batteria è scarico. ■ Il tosaerba è sovraccarico. ■ Il tosaerba è ostruito da erba e detriti. ■ La temperatura del gruppo batteria o del tosaerba è troppo elevata (la spia di carica sul tosaerba si illuminerà di arancione per 10 secondi). ■ I binari laterali sono leggermente ritratti a causa della forza esercitata sull'impugnatura. 	<ul style="list-style-type: none"> ■ Ricaricare il gruppo batteria. ■ Ridurre la velocità o aumentare l'altezza di taglio. ■ Pulire il tosaerba. Aumentare l'altezza di taglio o ridurre la quantità di erba tagliata. ■ Attendere che la temperatura del gruppo batteria o del tosaerba scenda al di sotto di 67°C. ■ Sbloccare i morsetti. Estendere completamente i binari laterali e bloccare nuovamente i morsetti.

PROBLEMA	CAUSA	SOLUZIONE
Il tosaerba non esegue una corretta pacciamatura	<ul style="list-style-type: none"> ■ Sulla parte inferiore del tosaerba rimangono incollati pezzi di erba bagnata. ■ Il tosaerba è regolato sul taglio di troppa erba in una sola volta. 	<ul style="list-style-type: none"> ■ Attendere che l'erba si asciughi prima di tagliarla. ■ Aumentare l'altezza di taglio.
Vibrazioni eccessive	<ul style="list-style-type: none"> ■ La lama di taglio è allentata. ■ La lama di taglio non è bilanciata. ■ La lama di taglio è piegata. ■ L'albero di comando è piegato. 	<ul style="list-style-type: none"> ■ Serrare il bullone della lama. ■ Bilanciare la lama conformemente alle istruzioni. ■ Sostituire la lama. ■ Contattare il centro di assistenza.
Non è possibile chiudere i morsetti di bloccaggio dell'impugnatura	<ul style="list-style-type: none"> ■ I binari laterali non sono completamente estesi. 	<ul style="list-style-type: none"> ■ Estendere completamente i binari laterali, quindi bloccare i morsetti.

GARANZIA

CONDIZIONI DELLA GARANZIA EGO

Visitare il sito web egopowerplus.com per consultare le condizioni complete della garanzia EGO.

LEES ALLE INSTRUCTIES!



LEES DE GEBRUIKERSHANDLEIDING ZORGVULDIG DOOR

⚠ Restrisico! Personen met elektronische apparaten, zoals pacemakers, moeten eerst hun art(sen) raadplegen voordat ze dit product mogen gebruiken. De werking van een elektrisch apparaat in de nabijheid van een pacemaker kan een storing of defect aan de pacemaker veroorzaken.

NL

⚠ WAARSCHUWING: Om een continue veiligheid en betrouwbaarheid te waarborgen, dienen alle reparaties en vervangingen van onderdelen uitgevoerd te worden door een vakbekwame reparateur.

Beoogd gebruik & voorzienbaar misbruik: Het beoogd gebruik is uitsluitend het maaien van gras in de tuin van woonhuizen. Hij mag niet worden gebruikt voor het maaien van buitengewoon hoog, droog of nat gras, bijv. weilanden; of om bladeren klein te maken. Het product mag alleen voor het voorheen genoemde doeleinde worden gebruikt. Ieder ander gebruik is in dit geval misbruik.

VEILIGHEIDSSYMBOLEN

Het doel van de veiligheidssymbolen is om u te wijzen op mogelijke gevaren. Besteed daarom voldoende aandacht hieraan en begrijp de veiligheidssymbolen en bijbehorende uitleg. De symboolwaarschuwingen op zich elimineren geen enkel gevaar. De gegeven instructies en waarschuwingen gelden niet als vervanging voor gepaste voorzorgsmaatregelen tegen ongevallen.

⚠ WAARSCHUWING: Lees en begrijp alle veiligheidsinstructies die in deze gebruikershandleiding zijn vermeld, waaronder alle veiligheidssymbolen zoals “GEVAAR”, “WAARSCHUWING”, en “OPGELET” voordat u dit apparaat in gebruik neemt. Het negeren van onderstaande instructies kan leiden tot elektrische schokken, brand en/of ernstig persoonlijk letsel.

BETEKENIS VAN DE SYMBOLEN

WAARSCHUWINGSSYMBOL: Geeft **GEVAAR**; **WAARSCHUWING**, of **OPGELET** aan. Kan worden gebruikt in combinatie met andere symbolen of pictogrammen.

⚠ WAARSCHUWING: De werking van het apparaat kan leiden tot het rondslingeren van (vreemde) objecten die in uw ogen kunnen terechtkomen. Dit kan leiden tot ernstig oogletsel. Wanneer u elektrische apparaten gebruikt, zorg er dan voor dat u altijd een veiligheidsbril (met zijschermen) of een gelaatsscherm draagt. We bevelen aan om een gelaatsscherm over uw bril of standaard veiligheidsbril met zijschermen te gebruiken.

VEILIGHEIDSVORSCHRIFTEN

Deze pagina toont en beschrijft alle veiligheidssymbolen die zich op dit product kunnen bevinden. Lees, begrijp en volg alle instructies op de machine voordat u deze in elkaar zet en gebruikt.

SAFETY INSTRUCTIONS

This page depicts and describes safety symbols that may appear on this product. Read, understand, and follow all instructions on the machine before attempting to assemble and operate.

	Veiligheids- swaarschuwing	Voorzorgsmaatregelen voor uw veiligheid.
	Draag oog- bescherming	Draag altijd een veiligheidsbril met zijschermen en een gelaatsscherm als u dit product gebruikt.
	Lees de gebruikershandleiding	De gebruiker dient de gebruikershandleiding voor het gebruik van dit product te lezen en te begrijpen om risico op letsel te beperken.
	Pas op de scherpe messen op.	De messen draaien nog nadat de motor is uitgeschakeld - Verwijder het blokkerend gereedschap voor onderhoud. Apparaat uitschakelen en accupack ontkoppelen (of blokkeer het apparaat) voordat u instellingen uitvoert of het apparaat reinigt.

	Houd omstanders uit de buurt	Zorg dat andere personen en huisdieren zich op minstens 30 meter van de grasmaaier bevinden wanneer u hem gebruikt.
	Klasse II constructie	Dubbel geïsoleerde constructie.
IPX4	IP symbool	Bescherming tegen het binnendringen van water klasse 4
V	Volt	Spanning
A	Ampère	Stroom
Hz	Hertz	Frequentie (cycli per seconde)
W	Watt	Vermogen
min	Minuten	Tijd
	Wisselstroom	Stroomtype
	Gelijkstroom	Stroomtype of -karakteristiek
n_0	Snelheid zonder belasting	Draaisnelheid, zonder belasting
.../min	Per minuut	Toeren per minuut

VEILIGHEIDSINSTRUCTIES VOOR DE ACCU GRASMAAIER

⚠ GEVAAR: Deze machine werd gebouwd om volgens de veiligheidsvoorschriften, waaronder de voorschriften in deze handleiding, worden gebruikt. Net zoals bij ieder elektrisch gereedschap kunnen nalatigheid of fouten van de gebruiker resulteren in ernstig letsel. Deze machine is in staat handen en voeten te verwonden en voorwerpen rond te slingeren. Het negeren van de veiligheidsinstructies kan ernstig letsel of de dood tot gevolg hebben.

⚠ WAARSCHUWING: Tijdens het gebruik van accu grasmaaiers, moeten de volgende standaard veiligheidsmaatregelen worden genomen om het risico op brand, elektrische schokken en persoonlijk letsel te vermijden.

BELANGRIJK

LEES GRONDIG VOOR GEBRUIK. BEWAAR VOOR LATERE RAADPLEGING.

VEILIGHEIDSINSTRUCTIES VOOR DE ACCU GRASMAAIERS:

WAARSCHUWING RAAK HET ROTERENDE MES NIET AAN!

OPLEIDING

- Lees de instructies aandachtig door. Maak u vertrouwd met de bedieningsknoppen en het juiste gebruik van het apparaat.
- Kinderen of personen die deze instructies niet kennen mogen het apparaat nooit gebruiken. De lokale wetgeving kan een minimum leeftijd voor de gebruiker opleggen.
- Maai nooit als er zich mensen, in het bijzonder kinderen of huisdieren, in de buurt bevinden.
- De bediener of gebruiker is verantwoordelijk voor ongevallen of gevaren die zich bij ander personen of hun eigendommen voordoen.

VOORBEREIDING

- Tijdens het maaien, draag altijd gepast schoeisel en een lange broek.
- Gebruik het apparaat nooit met blote voeten of sandalen. Voorkom dat u los zittende kleding met los hangende koorden of stropdassen draagt.
- Controleer het gebied waar u het apparaat wilt gebruiken en verwijder alle stenen, stokken, draden, botten en andere vreemde voorwerpen.
- Voordat u het apparaat gebruikt, dient u de messen, moeren van de messen en de opbouw van de messen op slijtage of beschadigingen te controleren. Vervang versleten of beschadigde messen en moeren als set om de balans te behouden. Vervang beschadigde of onleesbare labels.

WERKING

- Maai alleen bij daglicht of voldoende kunstmatig licht.
- Voorkom naar mogelijkheid het gebruik in nat gras.
- Let op uw houding als u het apparaat op hellingen gebruikt.
- Altijd lopen, nooit rennen.
- Met grasmaaiers met wielen dient u de hellingen zijdelings te maaien, nooit naar boven en beneden.
- Wees erg voorzichtig als u van richting verandert op een helling.
- Maai niet op extreem steile hellingen.
- Wees zeer voorzichtig als u draait of het apparaat in uw richting trekt.

- Stop het mes (de messen) als het apparaat gekanteld wordt voor transport over andere oppervlakten dan gras en als u het apparaat van en naar het gazon brengt waar u wilt maaien.
- Gebruik het apparaat nooit met defecte schermen of beschermers, of zonder gemonteerd veiligheidsmechanisme, zoals deflectors en/of de opvangzak.
- Schakel de motor volgens de instructies in en houd uw voeten uit de buurt van het mes (de messen).
- Kantel het apparaat niet als u de motor inschakelt, tenzij het apparaat gekanteld moet worden om het in te schakelen. In dit geval dient u het apparaat niet meer dan nodig te kantelen en alleen het gedeelte te kantelen, dat het verst weg is van de bediener. Houd beide handen in werkstand voordat u het apparaat op de grond inschakelt.
- Start de machine niet, als u voor de afvoeropening staat.
- Houd uw handen en voeten uit de buurt van de draaiende onderdelen. In geval van cirkelmaaiers dient u uit de buurt van de afvoeropening te blijven.
- Til het apparaat nooit op en draag het niet als de motor is ingeschakeld.
- Schakel uit en verwijder het accupack (of schakel het apparaat uit) en zorg ervoor dat alle bewegende onderdelen helemaal tot stilstand zijn gekomen voordat u veranderingen uitvoert of de machine reinigt:
 - Wanneer u het apparaat zonder toezicht achterlaat;
 - Voordat u een blokkade verwijdert of de koker leeg maakt;
 - Voor het controleren, reinigen of onderhouden van het apparaat;
 - Na het raken van een vreemd voorwerp; Controleer het apparaat op beschadigingen en voer indien nodig reparaties uit.
- Als het apparaat overmatig trilt (direct controleren):
 - Controleer op beschadigingen;
 - Vervang of repareer beschadigde onderdelen;
 - Controleer op losse onderdelen en draai deze vast.

ONDERHOUD EN OPSLAG

- Wees voorzichtig bij het instellen van de machine om het vast komen te zitten met de vingers tussen de bewegende messen en vaste delen van het apparaat te voorkomen.
- Zorg dat alle moeren, bouten en schroeven altijd stevig vastgedraaid zijn om een veilige werking van het apparaat te waarborgen.

- Controleer de opvangzak regelmatig op slijtage of schade.
- Vervang versleten of beschadigde onderdelen uit veiligheidsoverwegingen.
- Reiniging en onderhoud door de gebruiker mag nooit door kinderen zonder toezicht worden uitgevoerd.
- Als u onderhoud aan de messen uitvoert dient u erop te letten, dat ondanks dat de stroombron is uitgeschakeld, de messen desalniettemin kunnen bewegen.
- In geval van cirkelmaaiers dient u ervoor te zorgen, dat de messen door het juiste type wordt vervangen.

PERSONLIJKE VEILIGHEID

Er kunnen tragische ongelukken gebeuren als de gebruiker niet alert is bij de aanwezigheid van kinderen. Kinderen worden vaak aangetrokken tot de grasmaaier en de maai-activiteiten. Zij begrijpen de gevaren niet. Ga er nooit van uit dat kinderen op de plek blijven, waar u ze voor het laatst heeft gezien.

- Houd kinderen uit de buurt van het te maaien gebied en onder toezicht oog van een verantwoordelijke volwassene die niet tevens de bediener is.
- Wees alert en schakel de grasmaaier uit als een kind in het gebied loopt.
- Wees uiterst voorzichtig als u in de buurt van blinde hoeken, deuren, struiken, bomen of andere objecten komt dat uw zicht belemmert, waardoor u een kind dat richting de grasmaaier rent niet kunt zien.
- Houd toezicht over kinderen zodat ze niet met de grasmaaier spelen.
- Schakel de grasmaaier altijd uit als u het accupack uit het apparaat verwijderd. Stop het mes (de messen) als het apparaat gekanteld wordt voor transport over andere oppervlakten dan gras en als u het apparaat van en naar het gazon brengt waar u wilt maaien.

GEBRUIK

ALGEMEEN GEBRUIK:

- Lees deze gebruikershandleiding aandachtig en in zijn geheel door voordat u probeert de machine te monteren. Lees, begrijp en volg alle instructies op de machine en in de handleidingen op voordat u het apparaat gebruikt. Wees volledig vertrouwd met de bedieningselementen en het juiste gebruik van het apparaat voordat u het in gebruik neemt. Bewaar deze handleiding voor latere en regelmatige raadpleging en voor het bestellen van reserve-onderdelen.
- Gebruik het gepaste toebehoor - Gebruik de grasmaaier alleen waarvoor hij is bedoeld.
- Reik niet te ver - Zorg er altijd voor dat u stevig en stabiel staat.

- Voorwerpen die door het mes van de grasmaaier worden geraakt kunnen zwaar persoonlijk letsel veroorzaken. Inspecteer het gazon altijd aandachtig en verwijder alle voorwerpen voordat u met maaien begint.
- Voor en tijdens het naar achteren bewegen, dient u naar achteren en beneden te kijken om te zien of er zich kinderen of andere mensen bevinden.
- Deze machine is geen speelgoed. Ga daarom altijd zeer voorzichtig te werk. Het apparaat is ontworpen met één gebruiksdoeleinde: het maaien van gras. Gebruik het voor geen enkel ander doeleinde.
- Forceer de grasmaaier niet – hij werkt beter en veiliger binnen het aangegeven capaciteitsbereik.
- Voordat u het apparaat gebruikt, dient u de messen, moeren van de messen en de opbouw van de messen op slijtage of beschadigingen te controleren. Vervang versleten en beschadigde messen en bouten en andere onderdelen gelijktijdig om het evenwicht te behouden. Vervang beschadigde of onleesbare labels.
- Wees zeer voorzichtig als u draait of het apparaat in uw richting trekt.
- Inspecteer grondig het gebied waar u het apparaat wilt gebruiken. Verwijder alle stenen, stokken, draden, speelgoed en andere vreemde voorwerpen waar u over kunt struikelen of die weggeslingerde voorwerpen kunnen ernstig persoonlijk letsel veroorzaken. Plan uw maaibeeld om het verwijderen van materiaal in richting van wegen, paden en omstanders en dergelijke te voorkomen. Vermijd ook dat materiaal tegen muren of obstakels vliegen, wat ertoe kan leiden dat het materiaal wordt teruggekaatst richting de gebruiker.
- Om contact met of letsel door weggeslingerde voorwerpen te voorkomen, dient u in de gebruikszone achter de handvatten te blijven en dienen kinderen, omstanders, helpers en dieren minstens 30 meter uit de buurt te blijven als de grasmaaier in gebruik is. Stop het apparaat als iemand in het gebied komt.
- Draag altijd een veiligheidsbril of werkbril om tijdens het gebruik en als u instellingen of reparaties uitvoert uw ogen te beschermen. Weggegooide objecten die terugkaatsen kunnen ernstig letsel aan de ogen veroorzaken. Gebruik altijd een gezichts- of stofmasker wanneer u in een stoffige omgeving werkt.
- Draag gepaste kleding - Draag geen loshangende kleding of juwelen. Deze kunnen in de bewegende onderdelen vast komen te zitten. Rubber handschoenen en stevig schoeisel worden aanbevolen wanneer u buitenshuis werkt. Draag stevig schoeisel met ruwe zool en strak zittende broeken en shirts. Aanbevolen worden shirts en broeken die de armen en benen bedekken en schoenen met stalen neuzen. Gebruik dit apparaat nooit blootsvoets, met sandalen, met wegglijdende of lichtgewicht (bijv. canvas) schoenen.
- Houd uw handen en voeten uit de buurt van de draaiende onderdelen en de messen. Contact met de messen kan letsel aan handen en voeten veroorzaken.
- Een missende of beschadigde afdekking van de afvoer kan contact met de messen en hierdoor letsel door weggeslingerde voorwerpen veroorzaken.
- Veelvuldig letsel ontstaat als de grasmaaier wordt teruggetrokken en hierbij de voet raakt, als men valt ten gevolg van uitglijden of struikelen. Houd de grasmaaier niet vast als u valt; laat het handvat direct los.
- Trek de grasmaaier nooit terug als u wandelt. Als u de grasmaaier naar achteren moet bewegen, weg van een wand of obstructie, dient u eerst naar beneden en achterom te kijken om te voorkomen dat u ergens over struikelt en de volgende stappen in acht te nemen:
 - Ga met volledig gestrekte armen naar achteren.
 - Zorg er voor dat u stevig staat.
 - Trek de grasmaaier langzaam terug, niet meer dan de helft in uw richting.
 - Herhaal deze stappen indien nodig.
- Gebruik de grasmaaier niet als u onder de invloed van alcohol of drugs bent.
- Gebruik het apparaat nooit met defecte schermen of beschermers, of zonder gemonteerd veiligheidsmechanisme, zoals deflectors en/of de opvangzak.
- Blijf aandachtig – let op wat u doet. Gebruik uw gezond verstand. Gebruik de grasmaaier niet als u moe bent.
- De motor/mes-bedienshandvat is een veiligheidsvoorziening. Probeer deze voorziening niet te overbruggen. Door dit te doen wordt de veiligheidsvoorziening onbruikbaar wat in persoonlijk letsel met het roterende mes kan leiden. De motor/ mes-bedienshandvat moet makkelijk in beide richtingen bediend kunnen worden en automatisch in de uitgangspositie gaan als hij wordt losgelaten.
- Vermijd gevaarlijke omgevingen – Gebruik de grasmaaier niet in een vochtige of natte omgeving.
- Gebruik de machine niet als het regent.
- Let altijd op uw houding. Uitglijden en vallen kan ernstig persoonlijk letsel veroorzaken. Als u het gevoel heeft, uw evenwicht te verliezen, dient u de motor/ mes-bedienshandvat direct los te laten, waarna het mes binnen drie seconden stopt met draaien.
- Stop het mes als u over grindpaden, stoepen of wegen loopt.
- Als het gereedschap abnormaal trilt, stop de motor en zoek onmiddellijk naar de oorzaak. Trilling wijst vaak op een storing.
 - Controleer op beschadigingen;

- Vervang of repareer beschadigde onderdelen die door de gebruiker kunnen worden vervangen;
- Controleer op losse onderdelen en draai deze vast.
- Gebruik de grasmaaier nooit zonder correct geïnstalleerd sleepschermbeschermer, afdekking, opvangzak, mulch-invoer, zijkoker, motor/mesbedieningshandvat of de gemonteerde en werkende veiligheidsvoorzieningen. Gebruik de grasmaaier nooit met beschadigde veiligheidsvoorzieningen. Anders kan dit leiden tot persoonlijk letsel.
- Als er zich situaties voordoen die niet in deze handleiding zijn behandeld, gebruik uw gezond verstand. Neem contact op met de klantenservice van EGO als u hulp nodig heeft.

NL

- Gebruik het gereedschap alleen met onderstaand vermelde accupacks en opladers:

ACCUPACK	OPLADER
BA1120E, BA2240E, BA2800, BA3360, BA4200	CH5500E, CH2100E

- Haal het accupack uit het apparaat alvorens het apparaat af te danken.
- Gooi het accupack op een veilige manier weg.

GEbruik OP EEN HELLING:

Hellingen zijn een belangrijke factor bij ongevallen waarbij men uitglijdt en valt. Deze kunnen in ernstig letsel resulteren. Let op uw houding als u het apparaat op hellingen gebruikt. U dient extra alert te zijn als u het apparaat op een helling gebruikt. Maai niet op een helling, als u zich niet op uw gemak voelt.

Maai:

- De hellingen zijdelings; nooit naar boven en beneden. Wees erg voorzichtig als u van richting verandert op een helling.
- Let op gaten, sporen, stenen, verborgen voorwerpen, of bobbels die ertoe kunnen leiden dat u uitglijdt of struikelt. In hoog gras kunnen zich obstakels verbergen.

Maai niet:

- In de buurt van afgronden, sloten of dijken; u kunt uw evenwicht verliezen en vallen.
- Maai geen hellingen van meer dan 15 graden.
- Als het gras nat is. Als een onstabiele stand ertoe kan leiden dat u uitglijdt.

SERVICE

WAARSCHUWING: Componenten van de opvangzak, afdekking, zijkoker, mulch-invoer en sleepschermbeschermer aan slijtage en beschadigingen, waardoor bewegende delen vrij toegankelijke kunnen worden en waardoor voorwerpen weggelingerd kunnen worden waardoor het risico op letsel toeneemt. Uit

veiligheidsoverwegingen dient u regelmatig alle onderdelen te controleren en beschadigde onderdelen direct door identieke onderdelen, die in deze handleiding worden genoemd, te vervangen. Neem contact op met de klantenservice van EGO of uw dichtstbijzijnde EGO service center. Laat reparaties of vervangingen door een gekwalificeerde servicemonteur uitvoeren!

- Als de ingebouwde overbelastingsbeveiliging regelmatig wordt geactiveerd, dient u contact op te nemen met de klantenservice van EGO of uw dichtstbijzijnde EGO service center.
- Reinig de grasmaaier niet met een tuinslang. Zorg dat de motor of elektrische componenten niet met water in aanraking komen.
- Verwijder de sleutel en berg de uitgeschakelde grasmaaier binnenshuis als hij niet wordt gebruikt. Laat de motor afkoelen alvorens hem in een gesloten ruimte op te bergen. De grasmaaier dient te worden opgeslagen in een droge, hoge of gesloten ruimte, buiten het bereik van kinderen.
- Gebruik tijdens onderhoud alleen identieke reserveonderdelen die in deze handleiding zijn vermeld. Het gebruik van onderdelen die niet aan de specificaties van de originele uitrusting voldoen kunnen verkeerde prestaties leveren en de veiligheid in gevaar brengen.
- Verwijder of ontkoppel de accu voor onderhoud, reiniging of verwijdering van vastzittend materiaal uit de grasmaaier.
- Volg de instructies over het vervangen van accessoires.
- Houd de handvatten droog, schoon en vrij van olie en smeervet.
- Om brandgevaar te minimaliseren dient u de afdekking vrij van gras, bladeren en vuilophopingen te houden.
- Controleer regelmatig of het zaagblad en de motormontagebouten stevig zijn vastgedraaid. Inspecteer de messen tevens regelmatig op schade (bijv. buigen, barsten of slijtage). Vervang de messen alleen door een origineel reserve-onderdeel, dat in de handleiding wordt genoemd.
- Ga zorgvuldig om met uw grasmaaier – houd de messen scherp en schoon voor het beste en veiligste gebruik. De messen van de grasmaaier zijn scherp en kunnen snijden. Pak de messen in of draag handschoenen en ga zeer voorzichtig te werk wanneer u het onderhoud.
- Verwijder of pas de veiligheidsvoorzieningen nooit aan. Controleer regelmatig of het gereedschap juist werkt. Doe nooit iets dat de juiste werking van de veiligheidsvoorziening kan hinderen of dat de bescherming die de veiligheidsvoorziening biedt beperkt.
- Breng de motor altijd tot stilstand voordat u aanpassingen aan het wiel of de maaihoogte maakt.

- Nadat u een vreemd voorwerp heeft geraakt, dient u de motor te stoppen, de sleutel te verwijderen, en de grasmaaier grondig op beschadigingen te inspecteren. Repareer de schade voordat u de grasmaaier weer in gebruik neemt.
- Onderhoud of vervang de veiligheids- en instructielabels indien dit nodig mocht zijn. Neem contact op met de klantenservice van EGO of uw dichtstbijzijnde EGO service center. Laat reparaties of vervangingen door een gekwalificeerde servicemonteur uitvoeren!
- BEWAAR DEZE HANDLEIDING.** Raadpleeg de gebruikershandleiding indien nodig en gebruik deze om andere personen die dit apparaat zullen gebruiken te onderrichten. Al u dit gereedschap aan iemand anders geeft, doe dan tevens deze gebruikershandleiding erbij om verkeerd gebruik en mogelijk letsel te voorkomen.

ACCU GEBRUIKEN EN ONDERHOUDEN

- Om de natuurlijke hulpbronnen te ontzien, dient u de accu's te recyclen of op correcte wijze te verwijderen. Dit product bevat lithium-ion accu's. Lokale of nationale wetten verbieden de verwijdering van lithium-ion accu's via het normale huisafval. Raadpleeg uw lokale overheid voor informatie over de mogelijkheid tot recycling en/of verwijdering.
- Na verwijdering van het accupack voor afdanking of recycling, dient u de aansluitklemmen van het accupack af te dekken met hoogwaardig plakband. Probeer niet om het accupack te vernietigen of uit elkaar te halen, of om componenten te verwijderen. Lithium-ion accu's moeten worden gerecycled of correct verwijderd. Raak de polen nooit met metalen voorwerpen en/of lichaamsdelen aan aangezien dit tot kortsluiting kan leiden. Buiten het bereik van kinderen houden. Het negeren van deze waarschuwingen kan leiden tot brand en/of ernstig letsel.
- BIJ VERKEERD GEBRUIK KAN ER VLOEISTOF UIT DE ACCU WORDEN GESPOTEN; VERMIJD ELK CONTACT. ALS AANRAKING MET DE VLOEISTOF TOEVALLIG PLAATSVINDT, DIENT U HET MET WATER AF TE SPOELN. ALS DE VLOEISTOF IN DE OGEN KOMT DIENT U ONMIDDELIJK EEN ARTS TE CONSULTEREN.** Vloeistof dat uit de accu wordt gespoten kan irritaties of brandwonden veroorzaken.

SPECIFICATIES

Modelnummer	LM2120E	LM2120E-SP
Zelfaangedreven systeem	No	Ja
Spanning	56 V	56 V
Snelheid zonder belasting	2800 /min	2800 /min
Maaihoogte	28-94 mm	28-94 mm

Maaihoogte standen	6	6	
Afmetingen afdekking	53 cm	53 cm	
Snijbreedte	52 cm	52 cm	
Inhoud van de opvangzak	70 L	70 L	
Gewicht van de grasmaaier (zonder accupack)	22,10 kg	24,55 kg	
Messenmodel	AB2101	AB2101	
Gemeten geluidsvermogensniveau L_{WA} K=2 dB(A)	89,9 dB(A)	89,5 dB(A)	
Geluidsdrukniveau aan het oor van de bediener L_{PA} K=3 dB(A)	87 dB(A)	87 dB(A)	
Gewaarborgd geluidsvermogensniveau L_{WA} (volgens 2000/14/EG)	92 dB(A)	92 dB(A)	
Vibratie a_h K=1,5 m/s ²	Linker handvat	≤ 2,5 m/s ²	≤ 2,5 m/s ²
	Rechter handvat	≤ 2,5 m/s ²	≤ 2,5 m/s ²
Messenrem	Ja	Ja	

- De opgegeven totale vibratiewaarde is gemeten volgens de standaard testmethode en kan worden gebruikt om het apparaat met een ander apparaat te vergelijken;
- De opgegeven totale vibratiewaarde kan ook worden gebruikt in een voorafgaande beoordeling op blootstelling.

MEDEDELING: De vibratie-afgifte tijdens het werkelijk gebruik van het elektrisch gereedschap kan verschillen van de opgegeven totale waarde; Om de bediener te beschermen dient de gebruiker tijdens het gebruik handschoenen en gehoorbescherming te dragen.

INHOUD VAN DE VERPAKKING

NAAM ONDERDEEL	AANTAL
Grasmaaier	1
Opvangzak	1
Frame van de opvangzak	1
Mulch-invoer	1
Veiligheidsleutel	2
Gebruikershandleiding	1

BESCHRIJVING

KEN UW GRASMAAIER (afb. A & B & C)

1. Veiligheidsknop
2. Schakelaar voor de zelfaandrijving
3. Vergrendelklem voor het handvat
4. Achterklep
5. Achterste handvat
6. Afdekking accupack
7. LED werklampen
8. Voorste handvat
9. Voorwiel
10. Hendel voor het instellen van de maaihoogte
11. Grasmaaierafdekking
12. Achterwiel
13. Opvangzak
14. Hendel voor de instelling
15. Zijgeleider
16. Bedienhendel voor de snelheid van het zelfaangedreven systeem
17. Veiligheidsschakelaar (schakelhendel)
18. Handgreep
19. Mulch-invoer
20. Steun voor de rechtop staande opslag
21. Sleepscherm
22. Schakelaar voor de LED werklampen
23. Indicatielampje

BEDIENING

MONTAGE VAN DE OPVANGZAK

- 1) Schuif de opvangzak op het frame (afb. D).
- 2) Bevestig de bovenste clips aan het frame (afb. E) en bevestig vervolgens de twee zijdelingse clips. Bevestig als laatste de onderste clip.
- 3) De compleet gemonteerde opvangzak wordt weergegeven in afb. F.

OPMERKING: Bij normaal gebruik is de zak onderhevig aan slijtage. Om het risico op letsel te reduceren, dient u de montage van de zak regelmatig te controleren en deze te vervangen indien u slijtage of aantasting vaststelt. Gebruik uitsluitend opvangzakken die zijn gemaakt voor deze grasmaaier.

AANPASSEN VAN HET INKLAPBARE HANDVAT

⚠ WAARSCHUWING: Probeer de grasmaaier niet te starten totdat het handvat in één van de vooraf ingestelde bedienstanden wordt vergrendeld (BOVENSTE BEDIENINGSPOSITIE, MIDDELSTE BEDIENINGSPOSITIE en ONDERSTE BEDIENINGSPOSITIE).

Uw grasmaaier wordt verstuurd met het handvat in de compacte, VERGRENDELDE OPSLAGPOSITIE (afb. G).

- 1) Druk de hendel voor de snelle instelling om hem uit de VERGRENDELDE OPSLAGPOSITIE te halen (afb. H-1).
- 2) Til het handvat uit de opgevouwen positie te tillen en laat vervolgens de hendel los. Beweeg het handvat langzaam omhoog totdat u hoort en voelt hoe de pin in één van de verschillende posities vastklikt zoals weergegeven in afb. H.

OPVANGZAK BEVESTIGINGS-/VERWIJDERINGSPOSITIE (afb. H-2).

- BOVENSTE BEDIENINGSPOSITIE (afb. H-3)
- MIDDELSTE BEDIENINGSPOSITIE (afb. H-4)
- ONDERSTE BEDIENINGSPOSITIE (afb. H-5)

BEVESTIGEN/VERWIJDEREN VAN DE OPVANGZAK/ MULCH-INVVOER

⚠ WAARSCHUWING: Voer op geen enkel moment aanpassingen uit aan de grasmaaier zolang de motor niet is uitgeschakeld, de veiligheidsleutel is verwijderd en het blad is gestopt met draaien.

- **OPMERKING:** Bevestigen/verwijderen van de opvangzak (afb. I)

OPMERKING: Verwijder de reeds geïnstalleerde mulch-inzet in de grasmaaier voordat u de graszak bevestigt aan de grasmaaier.

- **Bevestigen/verwijderen van de mulch-invoer (afb. J)**

AANPASSEN VAN DE MAAIHOOGTE (afb. K)

⚠ WAARSCHUWING: Houd uw voeten uit de buurt van de messen terwijl u de hoogte instelt. De grasmaaier kan in 5 verschillende hoogtes tussen 28mm en 94mm worden ingesteld. Kies de juiste maaihoogte aan de hand van het soort gras en de toestand ervan.

OPMERKING: Als u het gereedschap beweegt, dient u ervoor te zorgen dat de maaihoogte op 3 of hoger is ingesteld. Mocht u dit niet doen, kan dit resulteren in beschadiging van de messen.

HET ACCUPACK INSTALLEREN/VERWIJDEREN (afb. L)

VOOR DE EERSTE INGEBRUIKNAME OPLADEN.

⚠ WAARSCHUWING: Als er onderdelen ontbreken of defect zijn, mag u niet proberen het accupack aan de grasmaaier te bevestigen of de grasmaaier in gebruik te nemen totdat de defecte of ontbrekende onderdelen zijn vervangen. Anders kan dit leiden tot ernstig letsel.

- **Bevestigen**
Druk het accupack in het accupackvak totdat u een "klik" hoort.

■ Verwijderen

Druk op de ontgrendelingsknop in het accupackvak.
Afb. L beschrijving van de onderdelen zie beneden:

L-1	Veiligheidssleutel sleuf
L-2	Veiligheidssleutel
L-3	Accuvrijgaveknop

OPMERKING: Zorg dat de vergrendeling op de grasmaaier op zijn plaats klikt en het accupack stevig aan het grasmaaier is vastgemaakt voordat u begint te maaien.

STARTEN/STOPPEN VAN DE GRASMAAIER

⚠ WAARSCHUWING: De werking van elke grasmaaier kan leiden tot het rondslingeren van vreemde objecten die in uw of andermans ogen kunnen terechtkomen. Dit kan leiden tot ernstig oogletsel. Draag altijd een veiligheidsbril tijdens het bedienen van de grasmaaier of tijdens het uitvoeren van eventuele aanpassingen of reparaties.

⚠ WAARSCHUWING: Gebruik de grasmaaier niet als het regent.

⚠ WAARSCHUWING: Zorg dat andere personen en huisdieren zich op minstens 30 meter van de grasmaaier bevinden wanneer u hem gebruikt.

⚠ WAARSCHUWING: Het mes roteert nog enkele seconden nadat de grasmaaier is uitgeschakeld. Laat de motor/het mes eerst tot rust komen voordat u hem weer start. Start en stop de grasmaaier niet te vaak vlak achter elkaar.

OPMERKING: De motor kan niet worden gestart tenzij:

- Het handvat is vergrendeld in één van de bedieningsposities
- De zijgeleiding is geheel uitgetrokken (afb. M).
- Beide groene handvat-vergrendelklemmen zijn veilig gesloten (afb. N).

⚠ OPGELET: Probeer niet de werking van de veiligheidsknop en veiligheidsschakelaar te overbruggen.

Starten (afb. P)

- 1) Bevestig het accupack aan de grasmaaier, steek de veiligheidssleutel in de sleutelsleuf en sluit het batterijvakdeksel (afb. L).
- 2) Zoals weergegeven op afb. O drukt u de veiligheidsknop naar beneden.
- 3) Met de veiligheidsknop gedrukt, trekt u de veiligheidsschakelaar naar boven richting het handvat en laat u de veiligheidsknop los.

Stoppen (afb. Q)

- 1) Laat de veiligheidsschakelaar los.
- 2) De elektrische rem in de automatische remmechanisme zal de mesrotatie binnen 3 seconden nadat de veiligheidsschakelaar werd losgelaten stoppen.

VARIABLE SNELHEID VOOR HET ZELFAANGEDREVEN SYSTEEM

LM2120E-SP grasmaaier is voorzien van een zelfaangedreven systeem met variabele snelheid. Het systeem is onafhankelijk van de aan/uit-schakelaar van het mes; het is niet afhankelijk van rotatie van het mes.

Om het systeem zonder rotatie van het mes te gebruiken, trekt u de schakelaar voor het zelfaangedreven systeem naar het handvat.

Om het zelfaangedreven systeem uit te schakelen, laat u de schakelaar voor het zelfaangedreven systeem los.

Het systeem heeft een variabele snelheid. Om de snelheid te verhogen, beweegt u de bedienhendel voor het zelfaangedreven systeem naar voren. Om de snelheid te verlagen, beweegt u de bedienhendel voor het zelfaangedreven systeem naar achteren (afb. R).

Gebruiken met het roterende mes voor het maaien:

1. Start de grasmaaier.
2. Terwijl u de veiligheidsschakelaar tegen het handvat drukt met de linkerhand, trekt u de schakelaar voor het zelfaangedreven systeem naar het handvat met uw rechterhand.
3. Houd zowel de veiligheidsschakelaar en de schakelaar voor de zelfaangedreven systeem tegelijkertijd tegen het handvat met uw rechterhand en gebruik uw linkerhand om de snelheid van het zelfaangedreven systeem op de gewenste snelheid in te stellen.

OPMERKING: Tijdens het maaien, kan het makkelijker zijn om iets heen te maaien, zoals bijvoorbeeld een boom of planten, als het zelfaangedreven systeem uit is.

⚠ WAARSCHUWING: Om het risico op letsel te reduceren, mag u nooit proberen de werking van de schakelaar of het zelfaangedreven systeem te overbruggen. Gebruik het zelfaangedreven systeem alleen voor het beoogde gebruiksdoel.

LED WERKLAMPEN OP DE GRASMAAIER (afb. A-7)

Druk de schakelaar (afb. C-22) aan de voorkant van het accuvak om de LED-werklampen aan-/uit te schakelen.

INDICATIELAMPJE OP DE GRASMAAIER (afb. S)

De grasmaaier is voorzien van een indicatielampje dat de laadtoestand van het accupack en de werkstatus van de grasmaaier aangeeft. De stroomindicator begint te branden zodra de messen roteren of als de LED werklampen zijn ingeschakeld.

Indicatielampje op de grasmaaier	Betekenis	Actie
Groen brandend	De grasmaaier werkt correct; accu heeft tenminste nog 15% van zijn lading	N.v.t.
Rood brandend	Accustand is laag	Stop de grasmaaier en laad het accupack op
Rood knipperend	De accu is bijna leeg	Stop de grasmaaier en laad het accupack op
Oranje brandend	De grasmaaier of het accupack is oververhit	Verwijder de accu uit de grasmaaier, zet hem in de schaduw en laat hem tenminste 15 minuten lang afkoelen
Oranje knipperend	De grasmaaier is overbelast	Beweeg u langzamer of verhoog de hoogte om de belasting te verlagen

OVERBELASTINGSBEVEILIGING VAN DE GRASMAAIER

Om overbelasting te voorkomen, dient u niet te veel gras in één keer te maaien. Loop langzamer of verhoog de maaihoogte.

Uw grasmaaier heeft een ingebouwde overbelastingsbeveiliging. Als de grasmaaier overbelast is, gaat de motor uit en knippert het indicatielampje van de grasmaaier oranje. Haal het accupack uit de grasmaaier. Controleer of zich gras onder de grasmaaier heeft verzameld. Het kan nodig zijn, het te verwijderen en de accu weer te plaatsen en vervolgens de grasmaaier weer te starten.

ACCUBEVEILIGING TEGEN HOGE TEMPERATUREN

Het accupack produceert warmte tijdens het gebruik. De warmte verdwijnt langzamer bij warm weer. Als de accutemperatuur boven 70°C stijgt, zal de beveiliging

de grasmaaier direct uitschakelen om het accupack te beschermen tegen schade. De stroomindicator op de grasmaaier zal oranje branden. Laat de veiligheidsschakelaar los, wacht totdat het accupack afkoelt op ongeveer 67°C, waarna u de grasmaaier opnieuw kunt starten.

ONDERHOUD

⚠ WAARSCHUWING: Om ernstig persoonlijk letsel te voorkomen, dient u de veiligheidsleutel altijd te verwijderen voordat u de grasmaaier reinigt, onderhoud uitvoert of hem transporteert.

⚠ WAARSCHUWING: Bij reparatie, gebruik uitsluitend identieke reserve-onderdelen. Het gebruik van andere onderdelen kan gevaar opleveren of schade aan het product veroorzaken. Om een continue veiligheid en betrouwbaarheid te waarborgen, dienen alle reparaties en vervangingen van onderdelen uitgevoerd te worden door een vakbekwame reparateur.

DE GRASMAAIER SCHOONMAKEN

De onderkant van de afdekking van de grasmaaier dient na elk gebruik te worden gereinigd aangezien gras, bladeren, verontreinigingen of andere rommel zich hier ophooft.

Verwijder eventuele ophoping van gras en bladeren rond de aandrijfas (alleen LM2120E-SP) en de motorventilator (gebruik geen water). Maak de grasmaaier schoon met een vochtige doek.

VERWIJDEREN/INSTALLEREN VAN HET MES

⚠ WAARSCHUWING: Bescherm altijd uw handen door handschoenen te dragen of door de snijvlakken met doeken of andere materialen in te wikkelen voordat u onderhoud aan de messen van de grasmaaier uitvoert. Verwijder altijd het accupack tijdens onderhoud of transport van de grasmaaier.

- **Het mes verwijderen**
Volg afb. T.

OPMERKING: Als de bout met de motoras meedraait terwijl u hem los wilt draaien, draait u de ventilator met de hand naar de positie waar de gaten van de ventilator en het mes overeen komen en plaatst u een metalen stang in de uitgelijnde gaten (afb. U).

- **Het mes installeren**
Volg voor de montage de volgorde in afb. V, met het ventilatorblad naar de afdekking en het mes richting de buitenkant, lijn de gaten van de ventilator uit met de gaten van het mes (afb. W) en maak vervolgens het mes vast zoals getoond in afb. X.

Afb. U & V beschrijving van de onderdelen zie beneden:

U-1	Stabilisator 1	V-2	Binnenflens
U-2	Stabilisator 2	V-3	Mes
U-3	14mm inbussleutel	V-4	Buitenflens
V-1	Ventilator	V-5	Bout

OPMERKING: Het aanbevolen moment voor het aanhalen van de bout van het mes is 49-59Nm.

DE GRASMAAIER OPBERGEN

- Verwijder het accupack uit de grasmaaier en bewaar het op een koele, droge en schone plek. Bewaar hem niet naast corrosieve stoffen, zoals kunstmest of zout.
- Bewaar de grasmaaier op een afgedekte, gesloten plek, waar het koel en droog is en die zich buiten het bereik van kinderen bevindt.
- Dek de grasmaaier niet af met een stevig plastic zeil. Plastic afdekkingen laten vocht rondom de grasmaaier niet ontsnappen, waardoor roest en corrosie kunnen ontstaan.
- De grasmaaier kan rechtop staand of plat worden opgeborgen (afb. Y).

⚠ WAARSCHUWING: Als de grasmaaier begint te kantelen vanuit de rechtopstaande positie, kan dit leiden tot schade of persoonlijk letsel. Houd de grasmaaier altijd stabiel en buiten het bereik van kinderen als deze rechtop staat. Indien mogelijk dient u hem neer te leggen tijdens het opbergen.

Het milieu beschermen



Gooi geen elektrische apparaten, acculaders en accu's/oplaadbare batterijen met het huisafval weg!

Elektrische en elektronische apparaten, in overeenstemming met de Europese wet 2012/19/EG, en defecte of verbruikte accupacks/batterijen, in overeenstemming met 2006/66/EG, moeten afzonderlijk worden ingezameld.

Als elektrische apparaten op een stortterrein of vuilnisbelt terecht komen, kunnen gevaarlijke stoffen in het grondwater lekken en in de voedselketen komen wat schadelijk is voor uw gezondheid en welzijn.

EG CONFORMITEITSVERKLARING

Wij, EGO EUROPE GMBH

Wahlwiesenstrasse 1, D-71711 Steinheim an der Murr
Deutschland

Verklaren dat het product **56V lithium-ion accu grasmaaier LM2120E/LM2120E-SP** voldoet aan de essentiële gezondheids- en veiligheidsvoorschriften van de volgende richtlijnen:

2006/42/EG, 2014/30/EU, 2011/65/EU, 2000/14/EG

Standaarden en technische specificaties waaraan wordt gerefereerd:

EN 60335-1, EN 60335-2-77, EN 62233, EN 55014-1, EN 55014-2

	LM2120E	LM2120E-SP
Gemeten geluidsvermogensniveau:	89,9 dB(A)	89,5 dB(A)
Gewaarborgd geluidsvermogensniveau:	92 dB(A)	92 dB(A)

Conformiteitsbeoordelingsprocedure van bijlage VI wordt in acht genomen conform 2000/14/EG.

Geregistreerde keuringsinstantie: Société Nationale de Certification et d'Homologation

Geregistreerde keuringsinstantienummer: 0499

Peter Melrose
Algemeen directeur van
EGO Europe GmbH

Dong Jianxun
Kwaliteitsmanager van
Chervon

* (Geautoriseerde vertegenwoordiger voor CHERVON en verantwoordelijk voor de technische documentatie)

01/09/2016

PROBLEEMOPLOSSING

⚠ WAARSCHUWING: Verwijder altijd de veiligheids sleutel en het accupack tijdens onderhoud of transport van de grasmaaier. Bescherm altijd uw handen door handschoenen te dragen of door de snijvlakken met doeken of andere materialen in te wikkelen voordat u onderhoud aan de messen van de grasmaaier uitvoert.

PROBLEEM	OORZAAK	OPLOSSING
<p>NL</p> <p>De grasmaaier start niet</p>	<ul style="list-style-type: none"> ■ Het accupack is uitgeput. ■ Het accupack is niet op zijn plek in het batterijvak gemonteerd. ■ De accu is niet op de grasmaaier aangesloten. ■ De accu of de grasmaaier is te warm. (De stroomindicator op de grasmaaier brandt gedurende 10 seconden oranje) ■ De zijgeleiders zijn niet uitgetrokken tot de maximale lengte en de klemmen zijn niet vergrendeld. ■ Het handvat bevindt zich niet in één van de beide bedieningsposities. 	<ul style="list-style-type: none"> ■ Laad het accupack op. ■ Bevestid het accupack aan de grasmaaier totdat u een klik hoort. ■ Laat het accupack of de grasmaaier afkoelen totdat de temperatuur lager dan 67°C is. ■ Trek het handvat volledig uit en vergrendel beide klemmen. ■ Stel het handvat in één van beide bedieningsposities in. ■ Reinig de afdekking van de grasmaaier en controleer of het mes vrij kan bewegen.
<p>De grasmaaier maait ongelijk</p>	<ul style="list-style-type: none"> ■ Het mes is bot. ■ De maaihoogte is niet goed ingesteld. ■ Het mes is niet goed gemonteerd. 	<ul style="list-style-type: none"> ■ Slijp of vervang het mes. ■ Stel een hogere maaihoogte in. ■ Monteer het mes weer. Volg hierbij de instructies in de paragraaf "INSTALLATIE VAN HET MES" in deze gebruikershandleiding.
<p>De grasmaaier stopt tijdens het maaien</p>	<ul style="list-style-type: none"> ■ Het accupack is uitgeput. ■ De grasmaaier is overbelast. ■ De afdekking van de grasmaaier is verstopt door gras en vuil. ■ De accu of de grasmaaier is te warm. (De stroomindicator op de grasmaaier brandt gedurende 10 seconden oranje.) ■ De zijgeleider is een beetje ingetrokken door de kracht die op het handvat wordt uitgeoefend. 	<ul style="list-style-type: none"> ■ Laad het accupack op. ■ Verhoog de maaihoogte of maai langzamer. ■ Reinig de afdekking van de grasmaaier. Verhoog de maaihoogte of maai in smalle banen. ■ Laat het accupack of de grasmaaier afkoelen totdat de temperatuur lager dan 67°C is. ■ Maak de klemmen los. Trek de zijgeleiders helemaal uit en vergrendel de klemmen weer.

PROBLEEM	OORZAAK	OPLOSSING
De maaier verspreidt het gras niet goed	<ul style="list-style-type: none"> ■ Nat gemaaid gras blijft aan de onderkant van de afdekking plakken. ■ De grasmaaier is zo ingesteld dat hij te veel gras in een keer moet maaien. 	<ul style="list-style-type: none"> ■ Wacht totdat het gras droog is voordat u het maait. ■ Stel een hogere maaihoogte in.
Er is sprake van excessieve trillingen	<ul style="list-style-type: none"> ■ Het mes zit los. ■ Het mes is niet in balans. ■ Het snijmes is gebogen. ■ De motoras is verbogen. 	<ul style="list-style-type: none"> ■ Draai de bouten van het mes vast. ■ Balanceer het mes volgens de instructies uit. ■ Vervang het mes. ■ Neem contact op met het service center.
De vergrendelingsklemmen van het handvat zijn niet in hun positie vergrendeld.	<ul style="list-style-type: none"> ■ De zijgeleiding is niet volledig uitgetrokken. 	<ul style="list-style-type: none"> ■ Trek de zijgeleiders helemaal uit en vergrendel de klemmen weer.

GARANTIE

EGO GARANTIEBELEID

Bezoek alstublieft de website egopowerplus.com voor de volledige voorwaarden van het EGO garantiebeleid.

KEES VAN DER SPEK
TUINWAGENS • STOLWIJK

LÆS ALLE INSTRUKTIONERNE!



LÆS BRUGSANVISNINGEN

⚠ Risiko! Personer, der bruger elektronisk udstyr, såsom pacemakere, skal konsultere deres læge, inden de tager dette produkt i brug. Brug af elektrisk udstyr i nærheden af en pacemaker, kan forstyrre pacemakeren eller gøre at den holder op med at virke.

⚠ ADVARSEL: Af hensyn til sikkerhed og pålidelig drift, skal alle reparationer og udskiftninger udføres af en kvalificeret servicetekniker.

Anvendelsesformål og forudseelig misbrug:

Produktet er kun beregnet til at slå græs i almindelige haver. Den må ikke bruges til at klippe usædvanligt højt, tørt eller vådt græs, som fx græsgange, eller til at skære blade i stykker. Produktet må kun bruges til dets tilsigtede formål. Al anden brug anses for at være misbrug.

SIKKERHEDSSYMBOLER

Formålet med sikkerhedssymbolerne er at tiltrække brugeren opmærksomhed på mulige farer. Sikkerhedssymbolerne og de medfølgende forklaringer skal læses og forstås. Symboladvarselne kan ikke alene fjerne nogen fare. Instruktionerne og advarselne er ingen erstatning for ordentlige sikkerhedsforanstaltninger.

⚠ ADVARSEL: Sørg for at læse og forstå alle sikkerhedsinstruktionerne i denne brugervejledning, herunder alle advarselssymbolerne, såsom "**FARE**", "**ADVARSEL**" og "**FORSIGTIG**" inden apparatet tages i brug. Hvis instruktionerne nedenfor ikke følges, kan det føre til elektrisk stød, brand og/eller alvorlig personskade.

BETYDNING AF SYMBOLET

ADVARSELSSYMBOL: Står for **FARE**, **ADVARSEL**, eller **FORSIGTIG**. Kan bruges sammen med andre symboler eller billeder.

⚠ ADVARSEL: Når kraftige værktøjer bruges, er der altid en risiko for at genstande slynges ind i øjnene, som kan føre til alvorlige øjenskader. Inden værktøjet tages i brug, skal brugeren altid bære beskyttelsesbriller eller beskyttelsesbriller med sideskærm, eller en fuld ansigtsskærm, hvis nødvendigt. Vi anbefaler at brugeren bære en fuld ansigtsskærm over briller eller beskyttelsesbriller med sideskærm.

SIKKERHEDSINSTRUKTIONER

Denne side viser og beskriver sikkerhedssymbolerne, som kan være på dette produkt. Læs, forstå og følg alle instruktioner på maskinen, inden den samles og bruges.

	Sikkerhedsadvarsel	Forholdsregler, der involverer din sikkerhed.
	Brug øjenbeskyttelse	Sørg altid for at bære beskyttelsesbriller eller sikkerhedsbriller med sideskærme, og en fuld ansigtsskærm, når dette produkt bruges.
	Læs brugervejledningen	For at reducere risikoen for skade, skal brugeren læse og forstå brugervejledningen, inden dette produkt tages i brug.
	Pas på den skarpe klinge.	Klingen drejer fortsat rundt, når motoren slukkes – den afbrydende enhed skal afbrydes, inden nogen form for vedligeholdelsesarbejde udføres. Sluk apparatet og tag batteripakken ud (eller den afbrydende enhed), inden apparatet justeres eller rengøres.
	Hold andre personer væk fra maskinen	Sørg for at andre personer og kæledyr er mindst 30 meter væk fra maskinen, når den er i brug.
	Klasse II konstruktion	Dobbelt-isoleret konstruktion.
IPX4	IP-symbol	Beskyttelse mod indtrængen af vand grad 4
V	Volt	Spænding
A	Ampere	Strøm
Hz	Hz	Frekvens (cyklusser i sekundet)

W	Watt	Strømledende
min	Minutter	Tid
	Vekselstrøm	Strømart
	Jævnstrøm	Strømart eller strømegenskab
n_0	Hastighed ude belastning	Drejehastighed uden belastning
... /min	i minuttet	Omdrejninger i minuttet

- Apparatet må ikke bruges med bare fødder eller med åbne sandaler på. Undgå at bære løstsiddende tøj, eller tøj med hængende snore eller bånd.
- Undersøg området, hvor græsset skal slås, og fjern evt. sten, pinde, ledninger, knogler og andre fremmedlegemer.
- Inden apparatet tages i brug, skal klingene, klingeboltene og klingesamlingen ses efter slidt og skader. Nedslidte eller beskadigede klinger og bolte skal skiftes på samme tid, så balancen opretholdes. Beskadigede eller ulæselige etiketter skal skiftes.

SIKKERHEDSREGLER FOR DEN LEDNINGSFRI PLÆNEKLIPPER

FARE: Denne maskine er fremstillet i henhold til reglerne for sikker drift, som står i denne vejledning. Som med alle kraftige maskiner, kan skødesløshed eller fejlbetjening af brugeren føre til alvorlige skader. Denne maskine kan skade hænder og fødder, og udstøede genstande. Manglende overholdelse af samtlige sikkerhedsinstruktioner, kan føre til alvorlige skader eller dødsfald.

ADVARSEL: Når du bruger trådløse plæneklippere, skal de grundlæggende sikkerhedsforanstaltninger altid følges, så risikoen for brand, elektrisk stød og personskader reduceres.

VIGTIGT

SKAL LÆSES GRUNDIGT FØR BRUG. BEHOLD DISSE OPLYSNINGER TIL SENERE REFERENCE.

SIKKERHEDSREGLER FOR TRÅDLØSE PLÆNEKLIPPERE:

ADVARSEL-UNDGÅ, AT RØRE VED DE DREJENDE KLINGER!

OPLÆRING

- Læs instruktionerne omhyggeligt. Gør dig bekendt med betjeningsknapperne, og hvordan apparatet bruges korrekt.
- Børn eller personer, der ikke er bekendt med disse instruktioner, må aldrig bruge dette apparat. Den lokale lovgivning kan muligvis begrænse, hvor gammel brugeren må være.
- Plæneklipperen må ikke bruges, hvis der er børn eller kæledyr i nærheden.
- Brugeren af apparatet er ansvarlig for evt. ulykker eller farer, som andre personer eller deres ejendom udsættes for.

FORBEREDELSE

- Når plæneklipperen bruges, skal brugeren altid bære passende fodtøj og langbukser.

BETJENING

- Plæneklipperen må kun bruges i dagslys eller i stærk kunstigt lys.
- Undgå, at bruge plæneklipperen på vådt græs, hvis muligt.
- Sørg for, at du har et ordentligt fodfæste på skråninger.
- Gå, undgå at løbe.
- Hvis du bruger en plæneklipper med hjul på skråninger, skal du køre langs skråningen, og ikke op og ned ad skråningen.
- Vær forsigtig, når du vender plæneklipperen om på en skråning.
- Undgå, at klippe græs på meget stejle skråninger.
- Vær meget forsigtig, hvis du kører baglæns eller trækker apparatet mod dig.
- Stop plæneklipperen, hvis den skal vippes for at køre over andre overflader end græs, og når den flyttes til og fra området, der skal klippes.
- Plæneklipperen må aldrig bruges uden at beskyttelsesskærmene eller sikkerhedsudstyret, som fx afbøjningsplader og/eller græsfangere, er sat på apparatet.
- Tænd for motoren i henhold til instruktionerne, og med fødderne væk fra klingene.
- Apparatet må ikke vippes, når motoren tændes, medmindre apparatet skal vippes for at kunne starte. I dette tilfælde må apparatet ikke vippes mere end absolut nødvendigt, og løft kun den del, der er væk fra brugeren. Sørg altid for at have begge hænder klar til at styre apparatet, inden apparatet sættes på jorden.
- Undgå, at starte apparatet, hvis du står foran udstødningen.
- Dine hænder eller fødder må ikke komme i nærheden af eller under drejende dele. På plæneklippere med klinger, skal du altid holde dig væk fra udstødningen.
- Undgå altid, at samle en genstand op eller bære en genstand, når motoren kører.

- Sluk apparatet, og tag batteripakken ud (eller den afbrydende enhed), og sørg for, at alle bevægelige dele er stoppet helt, inden apparatet justeres eller rengøres - gør også dette, hvis:
 - Du forlader apparatet.
 - Apparatet skal rengøres, hvis udstødningen eller en anden del er tilstoppet.
 - Apparatet skal ses efter, rengøres eller repareres.
 - Apparatet har ramt en fremmed genstand. Se apparatet efter for skader, og foretag de nødvendige reparationer.
 - Hvis apparatet begynder at vibrere unormalt (kontroller straks):
 - Se apparatet efter for skader.
 - Skift eller reparer beskadigede dele.
 - Stram evt. løse dele.

DK

VELDIGEHOLDELSE OG OPBEVARING

- Hvis apparatet skal justeres, skal du være forsigtig med ikke at få fingrene i klemme mellem bevægelige klinger og fastsiddende dele.
- Sørg altid for, at alle møtrikker, bolte og skruer er spændt ordentligt fast, så det er sikkert at bruge apparatet.
- Se regelmæssigt græsffanger efter for slid og forringelse.
- Udskift slidte eller beskadigede dele.
- Rengøring og brugervedligeholdelse må ikke foretages af børn uden tilsyn.
- Hvis klingerne skal repareres eller skiftes, skal du være opmærksom på at de stadig kan bevæge sig, selvom apparatet ikke er strømtilsluttet.
- På plæneklippere med klinger, skal du sørge for at klingerne skiftes med den rigtige type.

PERSONLIG SIKKERHED

Der kan opstå ulykker, hvis brugeren ikke er opmærksom på tilstedeværelsen af børn. Børn er ofte tiltrukket af plæneklipperen, når man klipper græs. De forstår ikke faren ved plæneklipperen. Du må aldrig antage, at børn bliver der, hvor du sidst så dem.

- Børn skal holdes ude af græsområdet der skal slås, og de skal være under nøje opsyn af en anden ansvarlig voksen end personen, der slår græsset.
 - Vær opmærksom, og sluk apparatet, hvis et barn kommer ind i området.
 - Vær meget forsigtig, når man nærmer sig blinde hjørner, døråbninger, buske, træer eller andre forhindringer, hvor du ikke kan se et barn, der kan komme løbende ind i apparatet.
 - Børn skal være under opsyn, så du sikrer at de ikke leger med apparatet.
 - Apparatet skal altid slukkes, inden batteripakken tages ud. Stop plæneklipperen, hvis den skal vippe for at køre over andre overflader end græs, og når den flyttes til og fra området, der skal klippes.
- Læs hele denne brugsvejledning omhyggeligt, inden apparatet samles. Læs, forstå og følg alle instruktioner på apparatet og i vejledningerne, inden apparatet tages i brug. Sørg for at du er helt fortrolig med betjeningsknapperne, og hvordan apparatet bruges korrekt, inden det tages i brug. Behold denne brugsvejledning på et sikkert sted til senere og regelmæssig reference, og til bestilling af reservedele.
 - Brug den rigtige apparat – brug ikke plæneklipperen til noget andet, end hvad det er beregnet til.
 - Undgå, at række for langt ud – hold ordentligt fodfæste og balance på alle tidspunkter.
 - Genstande, der rammes af plæneklipperens klinge, kan føre til alvorlige personskader. Græsplænen skal altid ses nøje efter, og ryddes for alle slags genstande, inden den slås.
 - Inden og mens du køre baglæns med plæneklipperen, skal du se bagud og nedad, og holde øje efter små børn og andre personer.
 - Dette apparat er ikke et legetøj. Du skal derfor altid være ekstremt forsigtig. Apparatet er beregnet til at udføre en opgave: At klippe græs. Apparatet må ikke bruges til andre formål.
 - Undgå, at tvinge plæneklipperen – græsset klippes bedre og mere sikkert, når det klippes med den hastighed, som apparatet er beregnet til.
 - Inden apparatet tages i brug, skal klingens, klingeboltene og klingsamlingen ses efter for slid og skader. Slidte eller beskadigede klinger og bolte, samt andre dele, skal skiftes på samme tid, så balancen bevares. Beskadigede eller ulæselige etiketter skal skiftes.
 - Vær meget forsigtig, hvis du kører baglæns eller trækker apparatet mod dig.
 - Se grundigt området, hvor apparatet skal bruges, efter. Fjern alle sten, pinde, kabler, legetøj og andre fremmedlegemer, som man kan falde over, eller som klingens kan ramme og slynge ud. Genstande, der slynges ud af apparatet, kan føre til alvorlige personskader. Planlægge det mønster, som du vil slå græsset i, så græsset ikke udstødes på veje, fortove, personer eller lignende. Undgå også, at græsset udstødes på vægge eller andre genstande, som kan rикоchettere græsset og sten tilbage mod brugeren.
 - For at undgå kontakt med klingens eller skader fra udstødte genstande, skal brugeren blive bag håndtagene og holde børn, andre personer, hjælpere og kæledyr mindst 30 meter fra apparatet, når det er i brug. Stop apparatet, hvis nogen kommer ind i området.
 - Brug altid beskyttelsesbriller når apparatet bruges, samt hvis det skal justeres eller repareres, så dine øjne beskyttes. Udstødte genstande, der rикоchetterer kan føre til alvorlige øjenskader. Brug altid en ansigts- eller støvmaske, hvis det støver, når apparatet bruges.

BETJENING

GENEREL BETJENING:

- Brug det rigtige tøj – undgå, at bære løstsiddende tøj eller smykker. De kan komme i klemme i bevægelige dele. Det anbefales at bruge gummihandsker og fodtøj, når du arbejder udendørs. Brug arbejdssko med robuste såler, og tætsiddende bukser og skjorter. Det anbefales at bruge skjorter og bukser, som dækker arme og ben og sikkerhedssko med ståltå. Dette apparat må aldrig bruges i bare fødder, med sandaler eller med glatte eller lette sko (fx af lærredssko).
- Hænder eller fødder må ikke komme i nærheden af drejende dele eller under klippedækket. Kontakt med klingens kan skade hænder og fødder.
- Hvis udstødningslågen mangler eller beskadiges, kan man komme i kontakt med klingens, og skader kan opstå fra udstødende genstande.
- Mange skader opstår ved at brugeren glider eller snubler, hvorefter plæneklipperen kører over fødderne. Hold ikke fast i plæneklipperen, hvis du falder. Slip straks håndtaget.
- Træk aldrig plæneklipperen tilbage mod dig, mens du går. Hvis plæneklipperen skal trækkes væk fra en væg eller en anden genstand, skal du først kikke nedad og bagud, så du ikke snubler, og følg derefter disse trin:
 - Træk tilbage fra plæneklipperen, indtil din arme er helt udstrakte.
 - Sørg for at du er velafbalanceret og har et godt fodfæste.
 - Træk langsomt plæneklipperen tilbage, men ikke mere end halvvejs mod dig.
 - Gentag disse trin, efter behov.
- Plæneklipperen må ikke bruges, hvis du er under indflydelse af alkohol eller narkotika.
- Plæneklipperen må aldrig bruges uden at beskyttelsesskærmene eller sikkerhedsudstyret, som fx afbøjningsplader og/eller græsfangere, er sat på apparatet.
- Vær opmærksom – hold øje med, hvad du laver. Brug din sunde fornuft. Undgå, at bruge plæneklipperen, hvis du er træt.
- Styrehåndtaget til motoren/klingen en sikkerhedsenhed. Apparatet skal altid bruges med styrehåndtaget. Hvis dette ikke gøres, kan du miste herredømmet over apparatet, som kan føre til personskafer ved kontakt med klingens. Styrehåndtaget til motoren/klingen skal kunne køre let i begge retninger, og det skal automatisk gå tilbage til den åbne indstilling, når det udløses.
- Undgå farlige miljøer – plæneklipperen må ikke bruges på fugtige eller våde steder.
- Apparatet må ikke bruges i regn.

- Sørg altid for at have et godt fodfæste. Hvis du glider og falder, kan det føre til alvorlige personskafer. Hvis du er ved at miste dit fodfæste, skal du straks slippe styrehåndtaget, hvorefter klingens stopper efter 3 sekunder.
- Stop klingens, inden du kører apparatet over grus, fortove og veje.
- Hvis apparatet begynder at vibrere unormalt, skal du straks stoppe motoren og finde årsagen til vibrationen. Hvis apparatet begynder at vibrere, betyder det sandsynligvis at der er opstået et problem.
 - Se apparatet efter for skader.
 - Skift eller reparer beskadigede dele, som brugeren selv har mulighed for at skifte/reparere.
 - Se apparatet efter for løse dele, og spænd dem hvis nødvendigt.
- Plæneklipperen må aldrig bruges uden at bagskærmen, udstødningslågen, græsbeholderen, tildækningsindsatsen, sideudstødningen, styrehåndtaget til motor/klinge justeringshåndtag eller andre beskyttende sikkerhedsanordninger er sat på, og virker ordentligt. Plæneklipperne må aldrig bruges med beskadigede dele. Hvis dette sker, kan det føre til personskafer.
- Hvis der opstår situationer, som ikke er beskrevet i denne brugsvejledning, skal du være forsigtig og bruge din sunde fornuft. Kontakt EGO's kundeservice for hjælp.
- Brug kun batterier og opladere, der er anført nedenfor:

BATTERIPAKKE	OPLADER
BA1120E, BA2240E, BA2800, BA3360, BA4200	CH5500E, CH2100E

- Batteriet skal fjernes fra apparatet, inden det bortskaffes.
- Batteriet skal bortskaffes sikkert.

BRUG AF APPARATET PÅ EN SKRÅNING:

Skråninger er en væsentlig faktor i forbindelse med glide- og faldulykker, hvilket kan føre til alvorlige skader. Sørg for, at du har et ordentligt fodfæste på skråninger. Hvis apparatet bruges på skråninger, bedes du være yderst forsigtig. Hvis du ikke har et ordentligt fodfæste på skråningen, skal du ikke klippe den.

Gør følgende:

- Klip langs en skråning. Klip aldrig op- og nedad. Vær forsigtig, når du vender plæneklipperen om på en skråning.
- Hold øje med huller, riller, klipper, skjulte genstande eller bump, som du kan glide på eller falde over. Genstande og forhindringer kan være skjult i højt græs.

Gør ikke følgende:

- Klip ikke i nærheden af lodrette klippesider, grøfter eller volde, da du kan miste dit fodfæste eller balance.
- Undgå, at klippe skråninger, der er over 15 grader.
- Undgå, at slå vådt græs. Et ustabil fodfæste kan gøre at du glider.

SERVICE

⚠ ADVARSEL: Græsbeholderkomponenterne, udstødningslågen, sideudstødningen, tildækningsindsatsen og bagskærmen udsættes for slid og skader, som med tiden kan udsætte personer for bevægelige dele eller genstande kan udstødes, hvilket kan forøge risikoen for skader. For en sikkerheds skyld, skal alle komponenter regelmæssigt ses efter, og skift straks beskadigede komponenter med identiske reservedele, der er anført i denne vejledning. Kontakt EGO's kundeservice eller dit nærmeste EGO-servicecenter. Reparationer og udskiftninger skal udføres af en kvalificeret servicetekniker!

- Hvis plæneklipperens indbygget overbelastningsbeskyttelse ofte går i gang, bedes du kontakte EGO's kundeservice eller dit nærmeste EGO-servicecenter.
- Plæneklipper må ikke vaskes med en slange. Undgå, at der kommer vand ind i motoren eller de elektriske forbindelser.
- Tag nøglen ud og opbevar plæneklipperen indendørs, når den ikke er i brug. Lad motoren køle ned, inden apparatet opbevares indendørs. Plæneklipperen skal opbevares på et tørt og højtliggende eller indelåst sted, så den er utilgængelig for børn.
- Hvis plæneklipperen skal serviceres, må kun identiske reservedele, der er anført i denne vejledning, bruges. Hvis der bruges dele, der ikke opfylder de oprindelige deles specifikationer, kan det påvirke apparatets ydeevne og sikkerheden.
- Fjern eller afbryd batteripakken inden servicering, og rengøring, og inden materialer fjernes fra plæneklipperen.
- Følg instruktionerne for at udskiftning af tilbehør.
- Hold håndtagene tørre, rene og fri for olie og fedt.
- For at reducere risikoen for brand, skal motorlåget holdes fri for græs, blade og snavs.
- Kontroller regelmæssigt at monteringsboltene på klingen og motoren er spændt ordentligt fast. Se også klingens efter for skader (om den fx bøjet, har revner eller er slidt). Klingens må kun skiftes med en identisk klinge, som anført i denne vejledning.
- Vedligehold din plæneklipper med omhu – hold

plæneklippers klinge skarp og ren, for at få de bedste og sikreste resultater. Plæneklipperens klinge er skarp, som man nemt kan skære sig på. Vælg et klæde om klingens eller brug handsker, og vær ekstra forsigtig, når den skal repareres eller skiftes.

- Beskyttelsesenhederne må aldrig fjernes eller manipuleres med. Kontroller regelmæssigt, at de virker ordentligt. Du må aldrig gøre noget, der kan påvirke en beskyttelsesenheds påtænkte funktion, eller som kan reducere den beskyttelse, som en beskyttelsesenhed giver.
- Motoren skal altid stoppes, inden hjulene eller klippehøjden justeres.
- Hvis plæneklipperen rammer en genstand, skal motoren stoppes, nøglen skal tages ud og plæneklipperen skal ses grundigt efter for eventuelle skader. Skaden skal repareres, inden plæneklipperen tages i brug igen.
- Vedligehold og skift sikkerheds- og instruktionsetiketterne, hvis nødvendigt. Kontakt EGO's kundeservice eller dit nærmeste EGO-servicecenter. Reparationer og udskiftninger skal udføres af en kvalificeret servicetekniker!
- **GEM DISSE VEJLEDNINGER** Læs vejledningerne regelmæssigt, og brug dem til at oplære andre, der skal bruge dette apparat. Hvis du låner dette apparat til en anden, skal disse vejledninger følge med, så produktet ikke misbruges og eventuelle skader undgås.

BRUG OG PLEJE AF BATTERIET

- For at bevare naturlige ressourcer, skal batterier genbruges eller bortskaffes korrekt. Dette produkt indeholder litium-ion-batterier. Lokale eller nationale love forbyder, at bortskaffe litium-ion-batterier samme med almindeligt affald. Kontakt din lokale affaldsmyndighed for oplysninger om, hvor produktet kan genbruges og/eller bortskaffes.
- Når batteripakken tages ud, og skal bortskaffes eller sendes til genbrug, skal batteriterminalerne tapes til med stærkt tape. Ingen af delene på batteripakken må tages af, og batteripakken må ikke ødelægges eller adskilles. Litium-ion-batterier skal genbruges eller bortskaffes korrekt. Batteriterminalerne må aldrig røres med metalgenstande og/eller kroppsdele, da dette kan kortslutte batteriet. Skal holdes væk fra børn. Hvis disse advarsler ikke overholdes, kan det føre til brand og/eller alvorlige skader.
- **HVIS BATTERIPAKKEN MISBRUGES, KAN DEN LÆKKE VÆSKE. UNDGA, AT RØRE VED DENNE VÆSKE. HVIS EN PERSON RØRER VED VÆSKEN, SKAL OMRÅDET SKYLLES MED VAND. HVIS VÆSKEN KOMMER I KONTAKT MED ØJNENE, SKAL DU STRAKS SØGE LÆGHELJÆLP.** Batterivæske kan forårsage irritation eller forbrændinger.

SPECIFIKATIONER

Modelnummer	LM2120E	LM2120E-SP	
Selvkørende system	Nej	Ja	
Spænding	56 V	56 V	
Hastighed ude belastning	2800 /min	2800 /min	
Klippehøjde	28-94 mm	28-94 mm	
Klippehøjdeindstillinger	6	6	
Dækstørrelse	53 cm	53 cm	
Klippebredde	52 cm	52 cm	
Græsbeholderens kapacitet	70 L	70 L	
Plæneklipperens vægt (uden batteripakken)	22,10 kg	24,55 kg	
Klingemodell	AB2101	AB2101	
Målt lydeffekt L_{WA} K=2 dB(A)	89,9 dB(A)	89,5 dB(A)	
Lydtryk ved brugerens øre L_{PA} K=3 dB(A)	87 dB(A)	87 dB(A)	
Garanteret lydeffekt L_{WA} (målt i henhold til 2000/14/EC)	92 dB(A)	92 dB(A)	
Vibration a_n K=1,5 m/s ²	Venstre håndtag	≤ 2,5 m/s ²	≤ 2,5 m/s ²
	Højre håndtag	≤ 2,5 m/s ²	≤ 2,5 m/s ²
Klingebremse	Ja	Ja	

- Den angivne samlede vibrationsstyrke er blevet målt i overensstemmelse med en standard testmetode, og kan bruges til at sammenligne et apparat med et andet.
- Den angivne samlede vibrationsstyrke kan også bruges i en foreløbig vurdering af eksponeringen.

BEMÆRK: Vibrationsemissionen under den faktiske anvendelse af apparatet, kan afvige fra den angivne værdi fra testen. For at beskytte brugeren, skal denne bruge handsker og høreværn, når apparatet bruges.

DELE I PAKKEN

DELNAVN	ANTAL
Plæneklipper	1
Græsbeholder	1
Ramme til græsbeholderen	1
Tildækningsindsats	1
Sikkerhedsnøgle	2
Brugsvejledning	1

BESKRIVELSE

GØR DIG BEKENDT MED DIN PLÆNEKLIPPER (billede A & B & C)

1. Sikkerhedsknap
2. Håndtag til den selvkørende funktion
3. Klemme til håndtag
4. Bagerste udstødningsslåge
5. Bageste håndtag
6. Låg til batteripakken
7. Forlygter
8. Forreste håndtag
9. Forhjul
10. Indstillingshåndtag til klippehøjde
11. Plæneklipperdæk
12. Baghjul
13. Græsbeholder
14. Håndtag til hurtig indstilling
15. Sidestang
16. Håndtag til indstilling af selvkørende hastighed
17. Koblingsbøjle
18. Håndtag
19. Tildækningsindsats
20. Støttefod til opbevaring på højkant
21. Bagskærm
22. Tænd/sluk-knap til forlygterne
23. Strømindikator

BETJENING

SÅDAN SAMLES GRÆNSBEHOLDEREN

- 1) Tryk græsbeholderen på rammen (billede D).

- 2) Saml de øverste klemmer på rammen (billede E), og saml derefter de to sideklemmer. Sæt bundklemmen på til sidst.
- 3) Den samlede græsbeholder kan ses på billede F.

Bemærk: Under normal brug, udsættes beholdermaterialet for slid. For at reducere risikoen for skader, skal beholderen regelmæssigt ses efter for skader, og skift evt. dele der viser tegn på slid eller forringelse. Brug kun græsbeholdere, der er beregnet til denne plæneklipper.

SÅDAN INDSTILLES DET FOLDBARE HÅNDTAG

⚠ ADVARSEL: Plæneklipperen må ikke startes, før håndtaget er låst fast på en af de tre forudindstillede positioner (ØVRE POSITION, MIDTERSTE POSITION og NEDRE POSITION).

Plæneklipperen leveres med håndtag i kompakt position, dvs. den LÅSTE OPBEVARINGSPOSITION (billede G).

- 1) Hold hurtigjusteringshåndtaget nede, for at frigive håndtaget fra den LÅSTE OPBEVARINGSPOSITION (billede H-1).
- 2) Løft håndtaget fra sin foldede position, og slip derefter håndtaget. Drej forsigtigt håndtaget opad, indtil du hører og mærker låsestiften låse sig fast i en af positionerne, som vist på billede H.

- MONTERING/FJERNELSE AF GRÆSBEHOLDEREN (billede H-2).
- ØVRE BETJENINGSPOSITION (billede H-3).
- MIDTERSTE POSITION (billede H-4)
- NEDRE BETJENINGSPOSITION (billede H-5).

MONTERING/FJERNELSE AF GRÆSBEHOLDEREN/ TILDÆKNINGSINDSATSEN

⚠ ADVARSEL: Plæneklipperen må aldrig justeres på nogen måde, før motoren er blevet stoppet og sikkerhedsnøglen er trukket ud, og før klingen er stoppet helt.

BEMÆRK: Sæt alle nødvendige dele på plæneklipperen, inden den tages i brug.

- Sådan sættes græsbeholderen på og tages af (billede I)

BEMÆRK: Tag den formonterede tildækningsindsats ud af plæneklipperen, inden græsbeholderen sættes på plæneklipperen.

- Sådan sættes tildækningsindsatsen på og tages ud (billede J)

SÅDAN INDSTILLES KLIPPEHØJDEN (billede K)

⚠ ADVARSEL: Hold dine fødder fra dækket, når højden indstilles. Apparatet kan indstilles til 5 klippehøjder, mellem 28 og 94 mm. Vælg den korrekte klippehøjde i henhold til græsset.

⚠ BEMÆRK: Når apparatet flyttes, skal du sørge for at klippehøjden er indstillet til 3 eller derover. I modsat fald kan klingens beskadiges.

SÅDAN SÆTTES BATTERIPAKKEN I OG TAGES UD (billede L)

BATTERIPAKKEN SKAL OPLADES FØR FØRSTE BRUG.

⚠ ADVARSEL: Hvis nogen af delene beskadiges eller mangler, må batteripakken ikke sættes i plæneklipperen, og plæneklipperen må ikke bruges, før den beskadigede del repareres eller manglende del tilføjes. Hvis dette ikke gøres, kan det føre til alvorlige skader.

■ Sådan sættes batteripakken i

Tryk batteripakken i batterirummet, indtil du kan høre en kliklyd.

■ Sådan tages batteripakken ud

Tryk på udløserknappen til batteripakken inde i batterirummet.

Følgende er en beskrivelse af delene på billede L:

L-1	Nøglehul til sikkerhedsnøgle
L-2	Sikkerhedsnøgle
L-3	Udløserknop til batteripakken

BEMÆRK: Sørg for at låsen på plæneklipperen låses på plads, og at batteripakken sidder ordentligt fast i plæneklipperen, inden den tages i brug.

SÅDAN STARTES/STOPPES PLÆNEKLIPPEREN

⚠ ADVARSEL: Alle plæneklippere kan ske at udstøde genstande, der kan ramme brugerens eller andres øjne, som kan føre til alvorlige øjenskader. Brug altid beskyttelsesbriller når plæneklipperen bruges, og hvis den skal justeres eller repareres.

⚠ ADVARSEL: Plæneklipperen må ikke bruges i regnvejr.

⚠ ADVARSEL: Sørg for at andre personer og kæledyr er mindst 30 meter væk fra maskinen, når den er i brug.

⚠ ADVARSEL: Klingens bliver ved med at dreje rundt i et par sekunder efter apparatet slukkes. Lad motoren/klingen standse helt, inden apparatet startes igen. Plæneklipperen må ikke tændes umiddelbart efter den slukkes.

BEMÆRK: Motoren kan ikke startes, medmindre:

- Håndtaget er låst fast i en af driftspositionerne.
- Sidestængerne er trukket helt ud (billede M).
- Begge grønne klemmer på håndtaget er lukket helt (billede N).

⚠ FORSIGTIG: Sikkerhedsknappen og koblingsbøjlen skal altid bruges.

Sådan startes plæneklipperen (billede P)

- 1) Sæt batteripakken i plæneklipperen, stik sikkerhedsnøglen i nøglehullet og luk låget til batteripakken (billede L).
- 2) Tryk på sikkerhedsknappen, som vist på billede O.
- 3) Hold sikkerhedsknappen nede, tryk koblingsbøjlen opad mod håndtaget og slip sikkerhedsknappen.

Sådan stoppes plæneklipperen (billede Q)

- 1) Slip koblingsbøjlen.
- 2) Den elektriske bremse i den automatiske bremsemekanisme stopper klingens rotation mindst 3 sekunder efter koblingsbøjlen slippes.

SELVKØRENDE SYSTEM MED FORSKELLIGE HASTIGHEDER

LM2120E-SP plæneklipperen er udstyret med en selvkørende funktion, der kan indstilles til forskellige hastigheder. Dette system virker uafhængigt af tænd/sluk-knappen til klingens rotation. Det afhænger ikke af, om klingens drejer rundt.

For at bruge systemet uden klingerotation, skal håndtaget til den selvkørende funktion trækkes mod håndtaget.

For at slå den selvkørende funktion fra, skal håndtaget frigives igen.

Systemet har forskellige hastigheder. For at øge hastigheden, skal gashåndtaget til den selvkørende funktion trykkes fremad. For at reducere hastigheden, skal gashåndtaget til den selvkørende funktion trækkes tilbage (billede R).

Sådan startes klingens rotation, når græsset skal klippes:

1. Start plæneklipperen.
2. Tryk koblingsbøjlen mod håndtaget med venstre hånd, og træk håndtaget til den selvkørende funktion mod håndtaget med højre hånd.
3. Hold både koblingsbøjlen og håndtaget til den selvkørende funktion mod håndtaget med højre hånd, og brug venstre hånd til at indstille gashåndtaget til den selvkørende funktion.

BEMÆRK: Det kan være nemmere at klippe omkring en genstand, såsom et træ eller planter, uden brug af den selvkørende funktion.

⚠ ADVARSEL: For at reducere risikoen for skader, skal enten tænd/sluk-knappen og den selvkørende funktion altid bruges. Den selvkørende funktion må kun bruges til dens tilsigtede formål.

FORLYGTERNE PÅ PLÆNEKLIPPEREN (billede A-7)

Tryk på tænd/sluk-knappen (billede C-22), for at tænde og slukke forlygterne foran batterirummet.

STRØMINDIKATOREN PÅ PLÆNEKLIPPEREN (billede S)

Plæneklipperen er udstyret med en strømindikator, som viser batteripakkens opladningsstatus og plæneklipperens driftsstatus. Strømindikatoren lyser, når klingens drejer, og når forlygterne er tændt.

DK

Strømindikatoren på plæneklipperen	Betydning	Handling
Lyser grøn	Plæneklipperen virker ordentligt. Batteriet har mindst 15% tilbage.	Ikke relevant
Lyser rød	Lavt batteri-niveau	Stop plæneklipperen, og oplad batteriet
Blinker rød	Batteriet er næsten brugt op	Stop plæneklipperen, og oplad batteriet
Lyser orange	Plæneklipperen eller batteripakken er overophedet	Tag batteriet ud af plæneklipperen. Stil både plæneklipperen og batteriet i skyggen, og lad den køle ned i mindst 15 minutter
Blinker orange	Plæneklipperen er overbelastet	Kør langsommere med plæneklipperen, og hæv klippehøjden, så den ikke overbelastes.

BESKYTTELSE MOD OVERBELASTNING

For at forhindre skader på grund af overbelastning, skal du undgå at klippe for meget græs på én gang. Sænk farten eller hæv klippehøjden.

Din plæneklipper har en indbygget beskyttelsesfunktion mod overbelastning af kredsløbet. Hvis plæneklipperen overbelastes, stopper motoren og strømindikatorens på plæneklipperen begynder at blinke orange. Tag batteripakken ud af plæneklipperen. Se om græs har samlet sig sammen under dækket, og fjern det, hvis nødvendigt. Sæt derefter batteripakken i og start plæneklipperen igen.

BESKYTTELSE MOD OVEROPHEDNING AF BATTERIET

Batteripakken danner varme under brug. Varmen forsvinder langsommere i varmt vejr. Hvis batteriets temperatur kommer over 70°C under brug, slukker beskyttelsesfunktionen automatisk plæneklipperen, så batteripakken beskyttes mod skader. Strømindikatorens på plæneklipperen lyser orange. Slip koblingen, vent indtil batteripakken er kølet ned til ca. 67°C og start derefter plæneklipperen igen.

DK

VEDLIGEHOLDELSE:

⚠ ADVARSEL: For at undgå alvorlige personskader, skal sikkerhedsnøglen altid tages ud af plæneklipperen, inden den rengøres eller vedligeholdes.

⚠ ADVARSEL: Hvis plæneklipperen skal repareres, må der kun bruges originale reservedele. Brug af andre dele kan føre til fare eller produktskader. Af hensyn til sikkerhed og pålidelig drift, skal alle reparationer og udskiftninger udføres af en kvalificeret servicetekniker.

SÅDAN RENGØRES PLÆNEKLIPPEREN

Undersiden af plæneklipperdækket skal rengøres efter hver brug, da græs, blade, jord og andet snavs kan samle sig.

Fjern eventuelle samlinger af græs og blade på eller omkring drivakslen (kun på LM2120E-SP) og på motorventilatoren (brug ikke vand). Tør plæneklipperen ren med en fugtig klud.

SÅDAN SÆTTES KLINGEN PÅ OG TAGES AF

⚠ ADVARSEL: Din hænder skal altid beskyttes med kraftige handsker eller ved at pakke klingens ind i en klud eller anden materiale, hvis klingens skal repareres eller på anden måde vedligeholdes. Batteripakken skal altid tages ud, hvis plæneklipperen skal repareres eller transporteres et andet sted hen.

Sådan tages klingens på

Følg billede T.

BEMÆRK: Hvis boltens drejer med motorakslen, når den løsnes, skal ventilatorbladet drejes med hånden så den passer med hullerne i klingens, og sæt en anden metalstift i de tilpassede huller (billede U).

■ Sådan sættes klingens på

Følg samplingsrækkefølgen på billede V, med ventilatorvingen mod dækket og med klingens forhøjning mod ydersiden. Sørg for at hullerne på ventilatorvingen passer med hullerne på klingens (billede W), og spænd derefter klingens fast, som vist på billede X.

Følgende er en beskrivelse af delene på billede U og V:

U-1	Stabilisator 1	V-2	Indre flange
U-2	Stabilisator 2	V-3	Klinge
U-3	14mm skrueøgle	V-4	Ydre flange
V-1	Ventilator	V-5	Bolt

BEMÆRK: Det anbefalede drejningsmoment, når boltens til klingens strammes, er 49-59Nm.

OPBEVARING AF PLÆNEKLIPPEREN

- Tag batteripakken ud af plæneklipperen, og opbevar den på et køligt, tørt og rent sted. Plæneklipperen må ikke opbevares ved siden af ætsende stoffer, såsom gødning og stensalt.
- Plæneklipperen skal opbevares i et overdækket, lukket rum, som er koldt og tørt, og utilgængelig for børn.
- Plæneklipperen må ikke tildækkes af en solid plastiktildækning. En tæt plastiktildækning kan danne fugt omkring plæneklipperen, der forårsager rust og korrosion.
- Plæneklipperen kan opbevares enten på højkant eller almindeligt (billede Y).

⚠ ADVARSEL: Hvis plæneklipperen begynder at vælte, når den står på højkant, kan den beskadiges eller forårsage personskader. Plæneklipperen skal altid holdes stabil og utilgængelig for børn, når den står på højkant. Læg plæneklipperen ned, når den skal opbevares, hvis muligt.

Beskyttelse af miljøet



Elektrisk udstyr, batterier, opladere og genopladelige batterier må ikke bortskaffes med almindeligt husholdningssaffald!

Ifølge EU-lovene 2012/19/EC og 2006/66/EU, skal elektrisk og elektronisk udstyr, der ikke længere er brugbart, samt defekte og opbrugte batteripakker/batterier, indsamles særskilt.

Hvis elektriske apparater bortskaffes på lossepladser, kan farlige stoffer lække i grundvandet og komme ind i fødekæden, som kan være skadeligt for din sundhed og velvære.

EF-OVERENSSTEMMELSESERKLÆRING

Vi, EGO EUROPE GMBH

Wahlwiesenstrasse 1, D-71711 Steinheim an der Murr
Deutschland

Erklære, at dette produkt - en ledningsfri plæneklipper med **56V litium-ion-batter LM2120E/LM2120E-SP** overholder de væsentlige sikkerheds- og sundhedskrav i følgende direktiver:

2006/42/EC, 2014/30/EU, 2011/65/EU, 2000/14/EC

Standarder og tekniske specifikationer kan findes her:

EN 60335-1, EN 60335-2-77, EN 62233, EN 55014-1,
EN 55014-2

	LM2120E	LM2120E-SP
Målt lydeffekt:	89,9 dB(A)	89,5 dB(A)
Garanteret lydeffekt:	92 dB(A)	92 dB(A)

DK

Enheden er i overensstemmelse med proceduren i Bilag VI i henhold til 2000/14EC.

Bemyndiget organ: Société Nationale de Certification et d'Homologation

Bemyndiget organ-nummer: 0499

KEES VAN DER BEEK
TUINMACHINES * STOLWIJK

Peter Melrose
Administrerende direktør for
EGO Europe GmbH

Dong Jianxun
kvalitetschef for Chervon

* (Autoriseret repræsentant for CHERVON og ansvarlig for tekniske dokumentationer)

01/09/2016

FEJLFINDING

⚠ ADVARSEL: Sikkerhedsnøglen og batteripakken skal altid tages ud, hvis plæneklipperen skal repareres eller transporteres et andet sted hen. Din hænder skal altid beskyttes med kraftige handsker eller ved at pakke klingens ind i en klud eller anden materiale, hvis klingens skal repareres eller på anden måde vedligeholdes.

PROBLEM	ÅRSAG	LØSNING
DK Plæneklipperen kan ikke starte	<ul style="list-style-type: none"> ■ Batteripakken er løbet tør for strøm. ■ Batteriet er ikke at ordentligt i batterirummet. ■ Batteripakken eller plæneklipperen er for varm. (Strømindikatoren på plæneklipperen lyser orange i 10 sekunder) ■ Sidestængerne er ikke trukket ud til deres maksimale længde, og klemmerne er ikke spændt fast. ■ Håndtaget er ikke indstillet på en af de to driftspositioner. ■ Plæneklipperdækket er tilstoppet med græs og snavs. 	<ul style="list-style-type: none"> ■ Oplad batteripakken. ■ Sæt batteripakken til plæneklipperen, tryk den nedad indtil du hører et klik. ■ Lad batteripakken eller plæneklipperen køle ned, indtil temperaturen kommer under 67°C. ■ Træk håndtaget helt ud, og spænd begge klemmer. ■ Indstil håndtaget til en af de to driftspositioner. ■ Rengør plæneklipperdækket, og sørg for at klingens kan dreje rundt uden modstand.
Plæneklipperen skærer ujævnt	<ul style="list-style-type: none"> ■ Klingens er døv. ■ Klippehøjden er ikke indstillet korrekt. ■ Klingens er monteret forkert. 	<ul style="list-style-type: none"> ■ Slib eller skift klingens. ■ Hæv dækket til en højere klippehøjde. ■ Sæt klingens på igen i henhold til afsnittet "SÅDAN SÆTTES KLINGENS PÅ" i denne brugsvejledning.
Plæneklipperen stopper, når man slår græs.	<ul style="list-style-type: none"> ■ Batteripakken er løbet tør for strøm. ■ Plæneklipperen er overbelastet. ■ Plæneklipperdækket er tilstoppet med græs og snavs. ■ Batteripakken eller plæneklipperen er for varm. (Strømindikatoren på plæneklipperen lyser orange i 10 sekunder.) ■ Sidestængerne er blevet presset lidt tilbage på grund af trykket på håndtaget. 	<ul style="list-style-type: none"> ■ Oplad batteripakken. ■ Hæv klippehøjden, eller kør langsommere, når du slår græsset. ■ Rengør plæneklipperdækket. Hæv klippehøjden, eller klip i smallere linjer. ■ Lad batteripakken eller plæneklipperen køle ned, indtil temperaturen kommer under 67°C. ■ Spænd klemmerne. Træk sidestængerne helt ud, og spænd klemmerne igen.

PROBLEM	ÅRSAG	LØSNING
Plæneklipperen klipper ikke græsset ordentligt	<ul style="list-style-type: none"> ■ En samling af vådt græs sidder fast på undersiden af dækket. ■ Plæneklipperen er indstillet til at klippe for meget græs på én gang. 	<ul style="list-style-type: none"> ■ Vent, indtil græsset tørrer, inden det slås. ■ Hæv dækket til en højere klippehøjde.
Plæneklipper vibrerer meget	<ul style="list-style-type: none"> ■ Klingen sidder løs. ■ Klingen er ubalanceret. ■ Skærekniven er bøjet. ■ Motorakslen er bøjet. 	<ul style="list-style-type: none"> ■ Stramme boltene på klingene. ■ Balancer klingene i henhold til vejledningerne. ■ Skift klingene. ■ Kontakt servicecentret.
Spændebøjlerne til håndtaget kan ikke låses fast.	<ul style="list-style-type: none"> ■ Sidestængerne er ikke trukket helt ud. 	<ul style="list-style-type: none"> ■ Træk sidestængerne helt ud, og spænd spændebøjlerne.

GARANTI

EGO's GARANTIPOLITIK

Besøg venligst hjemmesiden egopowerplus.com for fuldstændige vilkår og betingelser for EGO's garantipolitik.

Kees van der Spek
 TUINMACHINES • STOLWIJK

LÄS IGENOM ALLA INSTRUKTIONER.



LÄS IGENOM BRUKSANVISNINGEN

⚠ Dolda risker! Personer med elektroniska enheter såsom pacemaker skall rådfråga sin läkare innan denna produkt används. Hantering av elektrisk utrustning i närheten av en hjärtpacemaker kan orsaka störningar eller funktionsfel hos pacemakern.

⚠ VARNING: För att garantera säkerheten och pålitligheten skall alla reparationer och utbyten utföras av en kvalificerad servicetekniker.

Avsedd användning och förutsett missbruk:

Produkten är endast avsedd för att klippa gräs i hushållsträdgårdar. Den får inte användas för att klippa onormalt högt, torrt eller vått gräs. t.ex. betesgräs eller för att strimla löv. Produkten får enbart användas för det föreskrivna ändamålet. All annan användning betraktas som missbruk.

SÄKERHETSSYMBOLER

Syftet med säkerhetssymboler är att uppmärksamma eventuella faror. Säkerhetssymbolerna och förklaringarna av dessa kräver din fullständiga uppmärksamhet och förståelse. Själva symbolvarningarna eliminerar inte några faror. Instruktionerna och varningarna som anges är inget substitut för korrekta åtgärder för att förhindra olyckor.

⚠ VARNING: Se till att läsa igenom och förstå alla säkerhetsinstruktioner i denna bruksanvisning, inklusive alla säkerhetslarmsymboler såsom "FARA", "VARNING" och "FÖRSIKTIGHET" innan detta verktyg används. Underlåtenhet att läsa alla instruktioner som listas nedan kan resultera i elektrisk stöt, brand och/eller allvarlig personskada.

SYMBOLBETYDELSE

SÄKERHETSLARMSYMBOL: Indikerar **FARA**, **VARNING** eller **FÖRSIKTIGHET**. Kan användas i kombination med andra symboler eller bilder.

⚠ VARNING: Användning av något elverktyg kan resultera i att främmande föremål kastas in i dina ögon vilket kan resultera i allvariga ögonskador. Innan elverktyget börjar användas skall alltid skyddsglasögon eller skyddsglasögon med sidoskydd och full ansiktskydd användas när så behövs. Vi rekommenderar att en ansiktsmask med brett synfält används ovanpå glasögonen eller standard skyddsglasögon med sidoskydd.

SÄKERHETSINSTRUKTIONER

Denna sida avbildar och beskriver säkerhetssymboler som kan visas på denna produkt. Läs igenom, förstå och följ alla instruktioner på maskinen innan försök görs att montera och hantera den.

	Säkerhetslarm	Åtgärder som involverar din säkerhet.
	Använd ögon-skydd	Använd alltid skyddsglasögon eller säkerhetsglasögon med sidoskydd och en full ansiktsmask när denna produkt används.
	Läs igenom bruksanvisningen	För att minska risker för skador måste användare läsa igenom och förstå bruksanvisningen innan denna produkt används.
	Se upp med den vassa kniven.	Kniven fortsätter att rotera efter att motorn stängts av - ta bort urkopplingsenheten innan underhåll. Stäng av och ta bort löstagbara batteripaketet (eller avaktivera enheten) innan inställning eller rengöring.
	Håll åskådare på avstånd.	Se till att andra personer och djur håller sig minst 30m från gräsklipparen när den används.
	Klass II konstruktion	Dubbelisolerad konstruktion.
IPX4	IP-symbol	Skyddar mot inträngande av vatten grad 4
V	Volt	Spänning
A	Ampere	Ström
Hz	Hertz	Frekvens (cykler per sekund)
W	Watt	Effekt
min	Minuter	Tid
~	Växelström	Typ av ström

	Likström	Typ eller karakteristik av ström
n_0	Tomgångshastighet	Rotationshastighet utan belastning
.../min	Per minut	Varv per minut

- Undersök grundligt området där apparaten ska användas och ta bort alla stenar, pinnar, trådar, ben och andra främmande föremål.
- Före användning kontrollera alltid visuellt så att kniv, knivbultar och klippmontage inte är slitna eller skadade. Byt ut slitna eller skadade knivar och bultar i set för att bibehålla balansen. Byt skadade eller oläsliga etiketter.

SÄKERHETSREGLER FÖR SLADDLÖS GRÄSKLIPPARE

⚠ FARA: Denna maskin har byggts för att arbeta i enlighet med reglerna för säker drift som inkluderas i denna manual. Såsom med alla typer av elutrustning kan försiktighet eller fel hos operatören resultera i allvarliga skador. Denna maskin kan skada händer och fötter och kasta iväg föremål. Underlåtenhet att följa dessa säkerhetsinstruktioner kan resultera i allvarlig skada eller dödsfall.

⚠ VARNING: När sladdlösa gräsklipparen används skall grundläggande säkerhetsföreskrifter alltid följas för att minska risken för brand, elektriska faror och skador på personer.

VIKTIGT

LÄS IGENOM NOGA FÖRE ANVÄNDNING. SPARA FÖR FRAMTID REFERENS.

SÄKERHETSREGLER FÖR SLADDLÖS GRÄSKLIPPARE: FÖRSIKTIGHET-VIDRÖR INTE ROTERANDE KNIV!

UTBILDNING

- Läs igenom instruktionerna noggrant. Bekanta dig med kontroller och hur apparaten används korrekt.
- Låt aldrig barn eller personer som är obekant med dessa instruktioner använda apparaten. Lokala bestämmelser kan sätta gränser i fråga om användarens ålder.
- Klipp aldrig medan personer, särskilt barn eller djur finns i närheten.
- Operatören eller användaren är ansvarig för olyckor eller faror som uppstår för andra personer eller deras egendom.

FÖRBEREDELSE

- Vid klippning använd alltid skyddsskor och långbyxor.
- Använd inte denna apparat när du är barfota eller använder öppna sandaler. Undvik att använda kläder som sitter löst eller som har hängande remmar eller band.

DRIFT

- Arbeta endast i dagsljus eller i bra belysning.
- Undvik att använda apparaten i vått gräs då det är möjligt.
- Se alltid till att du är stadig på foten i slänter.
- Gå , spring aldrig.
- För hjulförsedda rotationsgräsklippare, rör dig alltid längs med lutningar aldrig uppåt och nedåt.
- Var extra försiktig när du byter riktning i slutningar.
- Kör inte i mycket branta slänter.
- Var extra försiktig när du backar eller drar apparaten mot dig.
- Stoppa kniven om apparaten ska lutas för transport när andra ytor än gräs korsas och när apparaten transporteras från ett område till ett annat som ska klippas.
- Använd aldrig apparaten med defekta skydd och skärmar eller utan säkerhetsenheter, exempelvis strålningskydd och eller/gräsuppsamlare på plats.
- Starta motorn enligt instruktionerna och med fötterna borta från kniven.
- Luta inte apparaten när motorn startas förutom om apparaten måste lutas för start. I detta fall luta inte mer än nödvändigt och lyft endast den del som är längst bort från användaren. Se alltid till att båda händerna är i operativt läge innan apparaten sätts ned på marken.
- Starta inte maskinen om du står framför utkastaröppningen.
- Placera inga händer eller fötter i närheten av roterande delar. För rotationsklippare håll utkastaröppningen ren hela tiden.
- Lyft aldrig upp eller bär apparaten när motorn körs.
- Stäng av och ta bort det löstagbara batteripaketet (eller avaktivera enheten) och se till att alla rörliga delar har stannat helt innan inställning eller rengöring görs:
 - När du lämnar maskinen;
 - Innan rengöring av en blockering eller rensar utkastaren;
 - Före kontroller, rensning eller arbete på apparaten;

- Efter att du kört på ett främmande föremål. Kontrollera om apparaten har skador och reparera om så behövs.
- Om apparaten börjar vibrera onormalt (kontrollera omedelbart):
 - Inspektera om det finns skador;
 - Byt ut eller reparera skadade delar;
 - Kontrollera om det finns lösa delar och dra åt dessa;

UNDERHÅLL OCH FÖRVARING

- Var försiktig vid justeringar av maskinen för att förhindra att fingrar fastnar mellan rörliga knivar och fasta delar på apparaten.
- Se till att alla skruvar, muttrar och bultar är åtdragna för att säkra att apparaten är säker att arbeta med.
- Kontrollera gräsuppsamlaren regelbundet för slitage eller förlitning.
- Byt ut slitna eller skadade delar av säkerhetsskäl.
- Rengöring och underhåll för inte utföras av barn utan översyn.
- Vid service på kniven var medveten om att, även om strömkällan är urkopplad kan kniven fortfarande vara i rörelse.
- För rotationsgräsklippare, se till att byta ut klippghjälpmiddel mot korrekt sort.

PERSONLIG SÄKERHET

Tragiska olyckor kan ske om operatören inte är uppmärksam om barn finns i närheten. Barn är ofta attraherade av gräsklipparen och gräsklippningen. De förstår inte faran. Anta aldrig att barn kommer att vara kvar där du senast såg dem.

- Håll barnen utanför klippområdet och under uppsikt av annan vuxen är operatören.
- Var uppmärksam och stäng av gräsklipparen om en barn kommer in i området.
- Var extremt försiktig när du närmar dig hörn, dörröppningar, buskage, träd eller andra föremål som kan hindra att du ser ett barn som kan springa in i gräsklipparen.
- Barn bör övervakas så att de inte leker med gräsklipparen.
- Stäng alltid av gräsklipparen när batteripaketet tas bort från verktyget. Stoppa kniven om apparaten ska lutas för transport när andra ytor än gräs korsas och när apparaten transporteras från ett område till ett annat som ska klippas.

DRIFT

ALLMÄN DRIFT:

- Läs igenom denna bruksanvisning noga i dess helhet innan du försöker att montera maskinen..Läs igenom, förstå och följ alla instruktioner på maskinen och i

manualerna innan den används. Bekanta dig ordentligt med kontrollerna och korrekt användning av denna maskin innan den används. Spara manualen på en säker plats för framtida och återkommande referens och för att beställa reservdelar.

- Använd rätt apparat - Använd inte gräsklipparen för andra jobb än vad den är avsedd för.
- Sträck dig inte - Ha ordentligt fotfäste och balans hela tiden.
- Föremål som träffas av gräsklipparens kniv kan orsaka allvarliga skador på personer. Gräsklipparen skall alltid undersökas noga och alla föremål skall rensas bort före varje klippning.
- Innan och under klippning bakåt, titta bakåt och nedåt efter små barn eller andra personer.
- Denna maskin är ingen leksak. Var därför extremt försiktig hela tiden. Din enhet har designats för att utföra ett jobb: klippa gräs. Använd inte den för andra syften.
- Tvinga inte gräsklipparen - den kommer att göra jobbet bättre och säkrare i den hastighet som den skapats för.
- Före användning kontrollera alltid visuellt så att kniv, knivbultar och klippmontage inte är slitna eller skadade. Byt slitna eller skadade knivar och bultar och alla andra komponenter samtidigt för att undvika obalans. Byt skadade eller oläsliga etiketter.
- Var extra försiktig när du backar eller drar apparaten mot dig.
- Inspektera noga det område där utrustningen skall användas. Ta bort alla stenar, pinnar, ledningar, leksaker och andra främmande föremål som du kan snubbla över eller lyftas upp och kastas iväg av kniven.
- Föremål som kastas iväg kan orsaka allvarliga personskador. Planera hur du skall klippa för att undvika att material kastas mot vägar, trottoarer, åskådare och liknande. Undvik också att material kastas mot väggar eller mot hinder vilka kan göra att material studsar tillbaka mot operatören.
- För att hjälpa till att undvika kontakt eller att skadas av föremål som kastas iväg, var kvar i operatörszonen bakom handtagen och håll barn, åskådare, medhjälpare och husdjur minst 30m från gräsklipparen är den används. Stanna maskinen om någon kommer in i området.
- Använd alltid säkerhetsglasögon eller skyddsglasögon under arbetet och när justeringar eller reparationer utförs för att skydda ögonen. Föremål som kastas iväg kan studsas om orsaka allvarliga skador på ögonen. Använd också ansiktsmask eller dammfilterskydd om arbetet är dammig.

- Klä dig korrekt - Bär inte löst sittande kläder eller smycken. De kan fastna i rörliga delar. Användning av gummihandskar och skyddsskor rekommenderas vid arbete utomhus. Använd skyddsskor med grov sula och åtsittande byxor och tröjor. Tröjor och byxor som täcker armar och ben och skor med stålhätta rekommenderas. Använd aldrig maskinen barfota, i sandaler, hala eller lätta skor (t.ex. canvas).
- Placera inte händer eller fötter i närheten av roterande delar eller under klippdäcket.. Kontakt med bladet kan skada händer eller fötter.
- Ett saknat eller skadat lock till utkastaren kan leda till bladkontakt eller skador från kastade föremål.
- Många skador sker om gräsklipparen dras över foten vid fall som orsakas av att personen halkar eller snubblar. Håll inte i gräsklipparen och du ramlar, släpp handtaget omedelbart.
- Dra aldrig gräsklipparen bakåt medan du går. Om du måste backa gräsklipparen bort från en vägg eller ett hinder, titta förs ned och bakåt för att undvika att snubbla och följ sedan dessa steg:
 - Kliv bakåt från gräsklipparen tills armarna är helt utsträckta.
 - Se till att du har god balans och bra fotfäste.
 - Dra gräsklipparen bakåt sakta, inte mer än halvvägs mot dig.
 - Upprepa dessa steg ovan om så behövs.
- Använd inte gräsklipparen om du är påverkad av alkohol eller droger.
- Använd aldrig apparaten med defekta skydd och skärmar eller utan säkerhetsenheter, exempelvis strålningskydd och eller/gräsuppsamlare på plats.
- Var uppmärksam - Titta på det du gör. Använd sunt förnuft. Använd inte gräsklipparen när du är trött.
- Motorns/knivens kontrollhandtag är en säkerhetsenhet. Försök aldrig att kringgå dess funktion. Om så görs blir säkerhetsenheten inaktiv och kan resultera i personsador vid kontakt med de roterande bladen. Motorns/knivens kontrollhandtag måste fungera enkelt i båda riktningarna och automatiskt återgå till den avaktiverade positionen när det släpps.
- Undvik farliga miljöer - använd inte gräsklipparen på fuktiga eller våta platser.
- Använd den inte i regn.
- Var alltid stadig på foten. Att halka eller falla kan orsaka allvarliga personsador. Om du känner att du tappar fotfästet, släpp motorns/knivens kontrollhandtag omedelbart och kniven kommer att stanna inom tre sekunder.
- Stoppa kniven när du korsar grusvägar, trottoarer eller vägar.
- Om utrustningen börjar vibrera onormalt, stoppa motorn och kontrollera omedelbart orsaken. Vibrationer är en varning för problem.
- Inspektera om det finns skador;
 - Byt ut eller reparera utbytbara skadade delar;
 - Kontrollera om det finns lösa delar och dra åt dessa;
- Använd inte gräsklipparen utan korrekt frihängande skydd, utkastartäckning, gräsbehållare, mullinsats, sidoutkastarrör, motorns/bladets kontrollhandtag eller andra säkerhetsskydd på plats och fungerande. Använd aldrig gräsklipparen med skadade säkerhetsenheter. Om inte detta görs finns det risk för allvarliga personsador.
- Om situationer uppstår som inte tas upp i denna manual, var försiktig och använd sunt förnuft. Kontakta EGO kundtjänst för hjälp.
- Använd endast med de batteripaket och laddare som listas nedan:

BATTERIPAKET	LADDARE
BA1120E, BA2240E, BA2800, BA3360, BA4200	CH5500E, CH2100E

- Batteripaketet måste tas ur apparaten innan den skrotas.
- Batteriet ska kasseras säkert.

ARBETE I EN SLUTNING:

Slutningar är en stor faktor för halka-och-falla olyckor vilket kan resultera i allvarig skada. Se alltid till att du är stadig på foten i slänter. Arbeta i slutningar kräver extra försiktighet. Om du känner dig osäker i en sluttning, klipp den inte.

Gör följande:

- Klipp längs med sluttningar aldrig uppåt och nedåt. Var extra försiktig när du byter riktning i sluttningar.
- Se upp för hål, stenar, dolda föremål eller gupp som kan göra att du halkar eller snubblar. Högt gräs kan dölja hinder.

Gör inte följande:

- Klipp inte nära branta sluttningar, diken eller jordvallar, du kan förlora fotfästet eller balansen.
- Klipp inte sluttningar med större lutning än 15 grader.
- Klipp inte i vått gräs. Instabilt fotfäste kan göra att du halkar.

Service

⚠ WARNING: Gräsbehållarkomponenter, utkastartäckning, sidoutkastarrör, mullinsats och frihängande skydd slits vilket kan exponera rörliga delar eller att föremål kastas ut och utgöra en risk för skador. Av säkerhetsskäl kontrollera regelbundet alla komponenter och byt skadade komponenter omedelbart med identiska delar som listas i denna manual. Kontakta EGO kundtjänst eller ditt närmaste EGO servicecenter och reparationer och byte av delar skall utföras av en kvalificerad servicetekniker!

SE

- Om gräsklipparen inbyggda överbelastningskydd ofta utlöses, kontakta EGO kundtjänst eller ditt närmaste EGO servicecenter.
- Spola inte gräsklipparen med en slang, undvik att få vatten i motorn och i elektriska anslutningar.
- Ta bort nyckeln och förvara gräsklipparen inomhus när den inte används. Låt motorn svalna innan förvaring i något slutet utrymme. Gräsklipparen skall förvaras på en torr, hög plats eller i ett låst utrymme utom räckhåll för barn.
- Vid service, använd endast identiska reservdelar som listas i denna manual. Användning av delar som inte uppfyller originaldelarnas specifikationer kan leda till felaktig prestanda och riskera säkerheten.
- Ta bort eller koppla ifrån batteripaketet före service, rengöring eller borttagning av material från gräsklipparen.

SE

- Följ instruktionerna för byte av tillbehör.
- Se till att handtagen är torra, rena och fria från olja och fett.
- För att minska brandrisken, håll motorhöljet fritt från gräs, löv och skräp som samlas.
- Kontrollera kniven och motorns monteringsbultar regelbundet för korrekt åtdragning. Inspektera också kniven visuellt om det har några skador (t.ex. är böjt, sprucket eller slitet). Byt endast kniven mot en identisk utbyteskniv som listas i denna manual.
- Sköt om din gräsklippare - håll gräsklipparens kniv vass och ren för bästa och säkraste prestandan. Klipparknivar är vassa och kan skära. Linda in kniven eller använd handskar och var extra försiktig när det får service.
- Ta aldrig bort eller förändra säkerhetsenheter. Kontrollera regelbundet att de fungerar korrekt. Gör inget för att störa den avsedda funktionen på en säkerhetsenhet för att minska skyddet som ges av en säkerhetsenhet.
- Stoppa alltid motorn innan några justeringar görs på ett hjul eller klipphöjden justeras.
- Om den slår emot ett främmande föremål, stoppa motorn, ta bort nyckeln och inspektera noga gräsklipparen för att se om den skadats. Reparera skadan innan gräsklipparen används igen.
- Behåll eller ersätt säkerhets- och instruktionsetiketter när så behövs. Kontakta EGO kundtjänst eller ditt närmaste EGO servicecenter och reparationer och byte av delar skall utföras av en kvalificerad servicetekniker!
- **SPARA DESSA INSTRUKTIONER.** Läs igenom dem regelbundet och använd dem för att instruera andra som kan komma att använda detta verktyg. Om du

lånar ut detta verktyg till någon annan låna då också ut dessa instruktioner för att förhindra missbruk av produkten och eventuella skador.

BATTERI ANVÄNDNING OCH SKÖTSEL

- För att spara på naturresurser, återvinn eller kassera batterier på korrekt sätt. Denna produkt innehåller ett litium-jon batterier. Lokala eller nationella lagar förbjuder kassering av litium-jon batterier i vanliga soporna. Rådfråga din lokala myndighet för sophantering om tillgänglig information och återvinning och/eller kasseringsalternativ.
- Vid borttagning av batteripaketet för kassering eller återvinning, täck över batteripaketets terminalen med kraftig självhäftande tejp. Försök inte att förstöra eller demontera batteripaketet eller att ta bort någon av dess komponenter. Litium-jonbatterier måste återvinnas eller kasseras korrekt. Vidrör heller aldrig terminalerna med metallföremål och/eller kroppsdelar då det kan resultera i kortslutning. Förvara utom räckhåll för barn. Om inte dessa varningar följs kan det leda till brand och/eller allvarlig skada.
- **UNDER OLÄMPLIGA FÖRHÅLLANDEN KAN VÄTSKA SPRUTA UT FRÅN BATTERIET. UNDVIK KONTAKT. VID OAVSIKTLIG KONTAKT, SPOLA MED VATTEN. OM VÄTSKAN KOMMER I KONTAKT MED ÖGONEN, SÖK OCKSÅ LÄKARHJÄLP.** Vätska som sprutar ur batteriet kan orsaka sveda och brännskador.

SPECIFIKATIONER

Modellnr	LM2120E	LM2120E-SP
Självgående system	No	Ja
Spänning	56 V 	56 V 
Tomgångshastighet	2800 /min	2800 /min
Klipphöjd	28-94 mm	28-94 mm
Klipphöjdslägen	6	6
Däckstorlek	53 cm	53 cm
Klippbredd	52 cm	52 cm
Volym gräsbehållare	70 L	70 L
Gräsklipparvikt (utan batteripaket)	22,10 kg	24,55 kg
Knivmodell	AB2101	AB2101
Uppmått ljudtrycksnivå L_{WA} K=2 dB(A)	89,9 dB(A)	89,5 dB(A)
Ljudtrycksnivå vid operatörens öra L_{PA} K=3 dB(A)	87 dB(A)	87 dB(A)
Garanterad ljudeffektnivå L_{WA} (enligt 2000/14/EG)	92 dB(A)	92 dB(A)

Vibration a_h $K=1,5 \text{ m/s}^2$	Vänster handtag	$\leq 2,5 \text{ m/s}^2$	$\leq 2,5 \text{ m/s}^2$
	Höger handtag	$\leq 2,5 \text{ m/s}^2$	$\leq 2,5 \text{ m/s}^2$
Knivbroms		Ja	Ja

- Det deklarerade totala vibrationsvärdet har uppmätts i enlighet med en standardtestmetod och kan användas för att jämföra ett verktyg med ett annat. Det deklarerade totala vibrationsvärdet kan också användas i en preliminär utvärdering av exponeringen.

NOTERA: Vibrationsutstrålningen under verklig användning av elverktyg kan skilja sig från det deklarerade värdet i vilken verktyget används. För att skydda operatören skall användaren använda skyddshandskar och hörselskydd under användning.

PACKNINGSLISTA

ARTIKELNAMN	MÄNGD
Gräsklippare	1
Gräsbehållare	1
Gräsbehållarram	1
Mullinsats	1
Säkerhetsnyckel	2
Bruksanvisning	1

BESKRIVNING

LÄR KÄNNA DIN GRÄSKLIPPARE (Fig. A & B & C)

1. Säkerhetsknapp
2. Självdrivande systemets avtryckare
3. Låsklämma handtag
4. Bakre utkastarlucka
5. Bakre handtag
6. Batteripaketlock
7. LED-strålkastare
8. Främre handtag
9. Framhjul
10. Justerspåk klipphöjd
11. Gräsklipparkåpa
12. Bakhjul
13. Gräsbehållare

14. Snabbjusteringsspak
15. Sidoskena
16. Självdrivande systemets hastighetskontrollspak
17. Omkopplarhushandtag (omkopplarspak)
18. Handtag
19. Mullinsats
20. Stöd för upprätt förvaring
21. Frihängande skydd
22. Omkopplarknapp för LED-strålkastare
23. Strömindikator

DRIFT

MONTERING AV GRÄSBEHÅLLARE

- 1) Låt gräsbehållaren glida upp på ramen (Fig. D).
- 2) Fäst toppclipsen på ramen (Fig. E), fäst sedan det två sidoclipsen. Fäst det undre clipset sist.
- 3) Den kompletta monterade gräsbehållaren visas i Fig. F.

NOTERA: Vid normal användning kommer behållarmaterialet att slitas. För att minska risken för skador, inspektera behållarmontaget och byt om det finns tecken på slitage eller förslitning. Använd endast gräsbehållare som tillverkats för denna gräsklippare.

INSTÄLLNING AV DET VIKBARA HANDTAGET

⚠ VARNING: Försök inte att starta gräsklipparen innan handtaget låsts i en av de tre förinställda driftpositionerna (ÖVRE DRIFTPOSITION, MELLERSTA DRIFTPOSITIONEN eller NEDRE DRIFTPOSITION).

Din gräsklippare levereras med handtaget i hopfällt, LÅST FÖRVARINGSPPOSITION (Fig. G).

- 1) Tryck på och håll kvar snabbinställningsspaken för att lossa handtaget från LÅST LAGRINGSPOSITION (Fig. H-1).
- 2) Lyft upp handtaget från dess hopvikta position, släpp sedan spaken. Luta försiktigt handtaget uppåt tills du hör och känner att låsinnen aktiveras i en av positionerna såsom visas i Fig. H.
 - GRÄSBEHÅLLARE FASTSÄTTNINGS-/BORTTAGNINGSPPOSITION (Fig. H -2).
 - ÖVRE DRIFTPOSITION (Fig. H -3).
 - MELLERSTA DRIFTPOSITION (Fig. H-4).
 - NEDRE DRIFTPOSITION (Fig. H-5).

FÄSTA/TA BORT GRÄSBEHÅLLAREN/MULLINSATSEN

⚠ VARNING: Du får aldrig utföra några justeringar på gräsklipparen utan att först ha stoppat motorn, tagit bort säkerhetsnyckeln och väntat tills kniven har slutat att rotera.

NOTERA: Fäst någon av tillsatserna på gräsklipparen innan klippning.

■ **Fästa/ta bort gräsbehållaren (Fig. I)**

NOTERA: Ta bort den förinstallerade mullinsatsen i gräsklipparen innan gräsbehållaren fästs på gräsklipparen.

■ **Fästa/ta bort mullinsatsen (Fig. J)**

INSTÄLLNING AV KLIPPHÖJDEN (Fig. K)

⚠ VARNING: Håll fötter undan från däckets när höjden ställs in. Gräsklipparen kan ställas in på 5 olika klipphöjder mellan 28 mm och 94 mm. Välj korrekt klipphöjd enligt typ och förhållandet hos gräset.

NOTERA: När verktyget förflyttas se till att klipphöjden är inställd på position 3 eller högre. Om inte så görs kan det resultera i skador på kniven.

FASTSÄTTNING/BORTTAGNING AV BATTERIPAKET (Fig. L)

LADDA INNAN FÖRSTA ANVÄNDNING.

⚠ VARNING: Om någon del är trasig eller saknas, försök inte att fästa batteripaketet på gräsklipparen eller använd gräsklipparen innan den trasiga eller saknade delen ersatts. Om inte detta görs finns det risk för allvarliga personskador.

■ **Att fästa**

Skjut batteripaketet i batterifacket tills du hör ett "klick".

■ **Borttagning**

Tryck ned batterilåsknappen i batterifacket.

Fig. L delarnas beskrivning se nedan:

L-1	Säkerhetsnyckelhål
L-2	Säkerhetsnyckel
L-3	Batterilåsknapp

NOTERA: Se till att haken på gräsklipparen snäpper på plats och att batteripaketet sitter fast i gräsklipparen innan arbetet påbörjas.

STARTA/STOPPA GRÄSKLIPPAREN

⚠ VARNING: Användning av något gräsklippare kan resultera i att främmande föremål kastas in i dina ögon vilket kan resultera i allvarliga ögonskador. Använd alltid

skyddsglasögon när gräsklipparen används eller när justeringar eller reparationer görs på den.

⚠ VARNING: Använd inte gräsklipparen i regn.

⚠ VARNING: Se till att andra personer och djur håller sig minst 30m från gräsklipparen när den används.

⚠ VARNING: Kniven fortsätter att rotera i några sekunder efter det att gräsklipparen stängts av. Låt motorn/kniven slut rotera innan den "slås på" igen. Växla inte snabbt mellan på och av.

NOTERA: Motorn kan inte starta såvida inte:

- Handtaget är låst i en av driftpositionerna
- Sidoskenorna är helt utdragna (Fig. M).
- Båda gröna handtagsklämmorna är låsta (Fig. N).

⚠ FÖRSIKTIGHET: Försök inte att åsidosätta funktionen hos säkerhetsknappen och bågomkopplaren.

Att starta (Fig. P)

- 1) Fäst batteripaketet i gräsklipparen, sätt i säkerhetsnyckeln i nyckelhålet och stäng batteriluckan (Fig. L).
- 2) Enligt Fig. O, tryck ned säkerhetsknappen.
- 3) Med säkerhetsknappen nedtryckt, dra bågomkopplaren uppåt mot handtaget och släpp säkerhetsknappen.

Att stoppa (Fig. Q)

- 1) Släpp bågomkopplaren.
- 2) Den elektriska bromsen i den automatiska bromsmekanismen kommer att stoppa knivens rotation inom 3 sekunder efter att bågomkopplarens släppts.

VARIABEL HASTIGHET SJÄLVGÅENDE SYSTEM

LM2120E-SP gräsklippare är utrustad med variabel självdrivande hastighet. Detta system är oberoende av knivens omkopplare, den är inte beroende av knivens rotation.

För att driva systemet utan knivrotation, dra självgående avtryckaren till handtaget.

För att stänga av självdrivande systemet, släpp självgående avtryckaren.

Systemet har variabel hastighet. För att öka hastigheten, flytta självdrivande systemets hastighetskontrollspak framåt. För att minska hastigheten, flytta den självgående hastighetskontrollspaken bakåt. (Fig. R).

Hantering med kniven roterande för klippning:

1. Starta gräsklipparen.
2. Medan bågomkopplaren hålls mot handtaget med din vänstra hand, dra självgående avtryckaren till handtaget med din högra hand.
3. Håll både bågomkopplaren och självdrivande systemets avtryckare samtidigt mot handtaget med din högra hand och använd din vänstra hand för att justera den självdrivande systemets hastighetskontroll för att välja önskad hastighet.

NOTERA: Under klippningen enklare att klippa runt ett föremål, såsom ett träd eller planter med självgåendefunktionen avstängd.

⚠ VARNING: För att minska risken för skador, försök aldrig att åsidosätta driften av omkopplaren eller självdrivande systemet. Använd det självdrivande systemet endast för vad det är avsett för.

LED ARBETSBELYSNING PÅ GRÄSKLIPPAREN (Fig. A-7)

Tryck på omkopplarknappen (Fig. C-22) för att slå på/ stänga av LED arbetsbelysningen framför batterifacket.

STRÖMINDIKATOR PÅ GRÄSKLIPPAREN (Fig. S)

Gräsklipparen är utrustad med en strömindikator för att indikera laddningsstatusen hos batteripaketet och arbetsstatusen för gräsklipparen. Strömindikatorn kommer att lysa när kniven roterar eller när LED arbetsbelysningen är påslagen.

Strömindikator på gräsklipparen	Innebörd	Åtgärd
Lyser grönt	Gräsklipparen arbetar korrekt, batteriet har minst 15% av dess laddning kvar.	N/A
Lyser rött	Svagt batteri	Stoppa gräsklipparen och ladda batteripaketet
Blinkar rött	Batteriet är nästa helt tomt	Stoppa gräsklipparen och ladda batteripaketet
Lyser orange	Gräsklipparen eller batteripaketet är överhettat	Ta bort batteripaketet från gräsklipparen, flytta dem till skuggan och kyl dem i minst 15 minuter

Blinkar orange	Gräsklipparen är överladdad	Sakta ned farten eller öka klipphöjden för att minska belastningen.
----------------	-----------------------------	---

GRÄSKLIPPARE ÖVERBELASTNINGSSKYDD

För att förhindra överbelastning, försök att inte klippa för mycket gräs på en gång. Skata ned klippastigheten eller öka klipphöjden.

Din gräsklippare har en inbyggd överbelastningsskydd. När gräsklipparen är överbelastad kommer motorn att stoppa och strömindikatorn på gräsklipparen att blinka orange. Ta bort batteriet från gräsklipparen. Kontrollera om gräs har samlats under däck och rensa om så behövs, installera sedan batteriet och start om gräsklipparen.

SKYDD HÖG BATTERITEMPERATUR

Batteripaketet kommer att generera värme under drift. Värmen försvinner långsammare vid varmt väder. Om batteritemperaturen överstiger 70 °C under drift kommer skyddskretsen omedelbart att stänga av gräsklipparen för att skydda batteripaketet från att skadas. Strömindikatorn på gräsklipparen kommer att lysa orange. Släpp båghandtaget, vänta tills batteripaketet kylts ned till ungefär 67 °C, starta sedan om gräsklipparen.

UNDERHÅLL

⚠ VARNING: För att undvika allvarliga personskador skall alltid säkerhetsnyckeln tas bort innan rengöring, utförande av underhåll eller transport av gräsklipparen.

⚠ VARNING: Vid service ska enbart identiska utbyteskomponenter användas. Användning av andra delar kan skapa risker eller orsaka produktskador. För att garantera säkerheten och pålitligheten skall alla reparationer och utbyten utföras av en kvalificerad servicetekniker.

RENGÖRING AV GRÄSKLIPPAREN

Undersidan av gräsklipparkåpan skall rengöras efter varje användning efter som gräsklipp, löv, smuts och annat skräp kommer att samlas.

Ta bort allt uppsamlat gräs och löv på och runt drivaxeln (endast LM2120E-SP) och motorfläkten (använd inte vatten). Torka rent gräsklipparen med en fuktig trasa.

BORTTAGNING/INSTALLATION AV KNIVEN

WARNING: Skydda alltid händer genom att använda kraftiga handskar eller linda in skärkniven med trasor eller annat material när underhålls görs av kniven. Ta alltid bort batteripaketet vid service eller transport av gräsklipparen.

■ Borttagning av kniven Följ Fig. T.

NOTERA: Om bulten roterar med motoraxeln lossa bulten, vrid fläkten för hand för att rikta in hålen på fläkten mot hålen på kniven och placera en annan metallstång i de inriktade hålen (Fig.U).

■ Installera kniven

Följ monteringssekvensen i Fig. V, med fläktbladet riktat mot kåpan och kniven med dess skrivna text mot utsidan, rikta in hålen i fläkten mot hålen i kniven (Fig. W) och dra sedan åt kniven såsom Fig. X visar.

Fig. U & V delarnas beskrivning se nedan:

U-1	Stabilisator 1	V-2	Inre fläns
U-2	Stabilisator 2	V-3	Kniv
U-3	14 mm skuvnyckel	V-4	Yttre fläns
V-1	Fläkt	V-5	Bult

SE

NOTERA: Det rekommenderade vridmomenten för åtdragning av kniven är 49-59Nm.

FÖRVARING AV GRÄSKLIPPAREN

- Ta bort batteripaketet från gräsklipparen och förvara det på en kall, torr och ren plats. Förvara det inte nära korrosiva material, såsom gödningsmedel eller bergssalt
- Förvara gräsklipparen i ett täckt och slutet utrymme som är svalt, torrt och utom räckhåll för barn.
- Täck inte över gräsklipparen med ett tätt plasticskyne. Plasticskynten över fukten runt gräsklipparen vilket orsakar rost och korrosion.
- Gräsklipparen kan förvaras upprätt eller plant (Fig. Y).

⚠ VARNING: Om gräsklipparen börjar tippa över från upprätt position kan gräsklipparen eller personer skadas. Ha alltid gräsklipparen stabilt placerad och utom räckhåll för barn när den är i upprätt position. Om möjligt, lägg den plant vid förvaring.

Skydda miljön



Kasta inte elektrisk utrustning, batteriladdare och batterier/laddningsbara batterier i hushållssoporna.

I enlighet med Europeisk lag 2012/19/EU måste elektrisk och elektronisk utrustning som inte längre är användbara, och enligt Europeisk lag 2006/66/EG, defekta eller förbrukade batteripaket/batterier samlas in separat.

Om elektriska apparater kasseras i fyllnadsgropar på marken eller soptippar kan farliga substanser läcka ut u grundvattnet och komma in i livsmedelskedjan och skada din hälsa och ditt välbefinnande.

EG-DEKLARATIONEN OM ÖVERENSSTÄMMELSE



Vi, EGO EUROPE GMBH

Wahlwiesenstrasse 1, D-71711 Steinheim an der Murr Deutschland

Deklarerar att produkten **56V litium-jon sladdlösa gräsklippare LM2120E/LM2120E-SP** uppfyller de väsentliga hälso- och säkerhetskraven i följande direktiv:

2006/42/EU, 2014/30/EG, 2011/65/EG, 2000/14/EU

Standarder och tekniska specifikationer refererar till:

EN 60335-1, EN 60335-2-77, EN 62233, EN 55014-1, EN 55014-2

	LM2120E	LM2120E-SP
Uppmätt ljudeffektnivå:	89,9 dB(A)	89,5 dB(A)
Garanterad ljudeffektnivå:	92 dB(A)	92 dB(A)

Bedömning av överensstämmelse för Bilaga VI följs enligt 2000/14/EG.

Anmänt organ: Soci t  Nationale de Certification et d'Homologation

Nummer f r anm lt organ: 0499

Peter Melrose
VD f r EGO Europe GmbH

Dong Jianxun
Kvalitetsansvarig hos Chervon

* (Auktoriserad representant f r CHERVON och ansvarig f r teknisk dokumentation)

01/09/2016

FELSÖKNING

⚠ VARNING: Ta alltid bort säkerhetsnyckeln och batteripaketet vid service eller transport av gräsklipparen. Skydda alltid händer genom att använda kraftiga handskar eller linda in skärkniven med trasor eller annat material när underhålls görs av kniven.

PROBLEM	ORSAK	LÖSNING
Gräsklipparen startar inte	<ul style="list-style-type: none"> ■ Batteriet är helt tomt. ■ Batteriet är inte monterad på plats i batterifacket. ■ Batteriet eller gräsklipparens kretssystem är för hett. (Strömindikatorn på gräsklipparen kommer att lysa orange under 10 sekunder) ■ Sidoskenorna är inte utdragna till dess maximala längd och klämmorna är inte låsta på plats. ■ Handtaget är inte inställt i en av de två driftpositionerna. ■ Gräsklipparkåpan är igensatt med gräs och skräp. 	<ul style="list-style-type: none"> ■ Ladda batteripaketet. ■ Fäst batteripaketet i gräsklipparen, tryck tills du hör ett klick. ■ Låt batteripaketet eller gräsklipparen svalna tills temperaturen sjunker under 67 °C. ■ Dra ut hantaget helt och lås båda klämmorna. ■ Ställ in handtaget till en av de två driftpositionerna. ■ Rengör gräsklipparkåpan och se till att kniven kan röra sig fritt.
Gräsklipparen klipper ojämnt.	<ul style="list-style-type: none"> ■ Kniven är slö. ■ Kliphöjden är inte korrekt inställd. ■ Kniv är felaktigt monterad. 	<ul style="list-style-type: none"> ■ Slipa eller byt kniven. ■ Höj kåpan till en högre kliphöjd. ■ Montera tillbaka kniven, följ sektionen "INSTALLERA KNIVEN" i denna manual.
Gräsklipparen stannar under klippningen	<ul style="list-style-type: none"> ■ Batteriet är helt tomt. ■ Gräsklipparen är överbelastad. ■ Gräsklipparkåpan är igensatt med gräs och skräp. ■ Batteriet eller gräsklipparens kretssystem är för hett. (Strömindikatorn på gräsklipparen kommer att lysa orange i 10 sekunder) ■ Sidoskenan är tillbakadragen något genom att tryck skett på handtaget. 	<ul style="list-style-type: none"> ■ Ladda batteripaketet. ■ Öka kliphöjden eller sakta ned klippningen. ■ Rensa gräsklipparkåpan. Höj kliphöjden eller klipp en smalare sträng. ■ Låt batteripaketet eller gräsklipparen svalna tills temperaturen sjunker under 67 °C. ■ Lås upp klämmorna. Dra ut sideskenan helt och lås klämmorna igen.
Gräsklipparen finfördelar inte ordentligt	<ul style="list-style-type: none"> ■ Vått gräs har fastnat på undersidan av kåpan. ■ Gräsklipparen är inställd att klippa för mycket gräs i taget. 	<ul style="list-style-type: none"> ■ Vänta tills gräset torkar innan klippning. ■ Höj kåpan till en högre kliphöjd.

PROBLEM	ORSAK	LÖSNING
Det förekommer kraftiga vibrationer	<ul style="list-style-type: none">■ Klippkniven är lös.■ Klippkniven är i obalans.■ Skärbladet är böjt.■ Motoraxeln är böjd.	<ul style="list-style-type: none">■ Dra åt alla knivbultar.■ Balansera kniven enligt instruktionerna.■ Byt kniven.■ Kontakta servicecentret.
Låsklämmorna på handtaget kan inte stängas i positionen.	<ul style="list-style-type: none">■ Sidoskenorna är inte helt utdragna.	<ul style="list-style-type: none">■ Dra ut sidoskenorna helt och lås klämmorna igen.

GARANTI

SE GARANTIVILLKOREN AV EGO

Var god besök webbplatsen egopowerplus.com för att se de fullständiga garantivillkoren av EGO.

KEES VAN DER SPEK
TUINMACHINES ★ STOLWIJK

LUE KAIKKI OHJEET!



LUE KÄYTTÄJÄN KÄSIKIRJA

⚠ Vaara! Henkilöiden, joilla on sydämentahdistin tai muu vastaava elektroninen laite, tulisi keskustella lääkärin kanssa ennen tämän tuotteen käyttöä. Sähkölaitteiden käyttö sydämentahdistimen lähetyksillä saattaa häiritä tahdistimen toimintaa tai aiheuttaa vakavan toimintahäiriön.

⚠ VAROITUS: Valtuutetun huoltoteknikon tulee suorittaa kaikki korjaukset ja osien vaihdot, jotta voidaan taata tuotteen turvallinen ja luotettava käyttö.

Käyttötarkoitus ja ennakoidut väärinkäyttömahdollisuudet: Tuote on tarkoitettu ruohon leikkaamiseen vain kotipuutarhoissa. Sitä ei ole tarkoitettu erityisen pitkän, kuivan tai kostean ruohon leikkaamiseen, esim. laidunruohon, tai lehtien silppuamiseen. Tuotetta tulee käyttää vain sille tarkoitettuun tarkoitukseen. Muunlainen käyttö lasketaan väärinkäytöksi.

TURVAMERKIT

Turvamerkkien tavoitteena on kiinnittää huomio mahdollisiin vaaroihin. Sinun tulee lukea huolellisesti käyttöohjeet ja ymmärtää turvamerkit ja niiden selitteet. Turvamerkit eivät itsessään poista vaaraa. Niiden antamat ohjeet ja varoitukset eivät korvaa asianmukaisia tapaturman torjuntatoimenpiteitä.

⚠ VAROITUS: Varmista, että luet ja ymmärrät kaikki tämän käyttäjän käsikirjan turvallisuusohjeet, mukaan lukien kaikki vaaramerkit, kuten **“VAARA”**, **“VAROITUS”** ja **“HUOMIO”**, ennen kuin käytät työkalua. Alla mainittujen ohjeiden noudattamatta jättäminen voi aiheuttaa sähköiskun, tulipalon ja/tai vakavan henkilövahingon.

MERKIN SISÄLTÖ

VAROITUSMERKKI: Ilmaisee seuraavia: **VAARA**, **VAROITUS TAI HUOMIO**. Voidaan käyttää yhdessä muiden merkkien tai kuvamerkkien kanssa.

⚠ VAROITUS: Vierasesineitä voi sähkötyökalujen käytön seurauksena lentää silmiin, ja ne voivat aiheuttaa vakavan silmävamman. Käytä aina suojalaseja tai turvalaseja sivusuojilla ja tarvittaessa kokokasvosuojusta ennen sähkötyökalun käytön aloittamista. Suosittelemme laajan näkökentän kasvosuojusta silmälasien päälle tai vakioturvalaseja sivusuojilla.

TURVALLISUUSOHJEET

Tällä sivulla esitetään ja kuvataan tähän tuotteeseen mahdollisesti liittyvät turvamerkit. Lue kaikki koneen ohjeet siten, että ymmärrät ne, ja noudata niitä ennen kuin kasaat koneen ja käytät sitä.

	Turvallisuusvaroitukset	Turvallisuuteen liittyvät varoitoimenpiteet.
	Käytä suojalaseja	Käytä aina suojalaseja tai turvalaseja sivusuojilla ja kokokasvosuojusta, kun käytät tätä tuotetta.
	Lue käyttäjän käsikirja	Tapaturmariskin pienentämiseksi käyttäjän täytyy lukea ja ymmärtää käyttäjän käsikirja ennen tuotteen käyttöä.
	Varo teräviä teriä.	Terät jatkavat pyörimistä sen jälkeen, kun moottori on sammutettu - irrota erotuslaite ennen huoltoa. Sammuuta ruohonleikkuri ja poista irrotettava akkuyksikkö (tai erotuslaite) ennen säätöä tai puhdistusta
	Pidä sivulliset etäällä	Varmista, että muut ihmiset ja lemmikkieläimet ovat vähintään 30m päässä ruohonleikkurista sen ollessa käytössä.
	Suojausluokan II rakenne	Kaksoiseristetty rakenne
IPX4	IP-merkintä	Suojaus veden tunkeutumista vastaan luokkaa 4
V	Voltti	Jännite
A	Ampeeria	Virta
Hz	Hertsi	Taajuus (sykliä sekunnissa)
W	Wattia	Teho
min	Minuuttia	Aika
	Vaihtovirta	Virran tyyppi
	Tasavirta	Virran tyyppi tai virtajännite-ominaiskäyrä

n_0	Tyhjäkäyntinopeus	Pyörimisnopeus, kuormittamattomana
... /min	Pyörintänopeus	Kierrosta minuutissa

JOHDOTTOMAN RUOHONLEIKKURIN TURVAMÄÄRÄYKSET

VAARA: Tämä kone on tarkoitettu käytettäväksi tähän käsikirjaan sisältyvien turvallista käyttöä koskevien määräysten mukaan. Kuten kaikenlaisten sähkölaitteiden yhteydessä, käyttäjän huolimattomuus tai virhe voi aiheuttaa vakavan henkilövahingon. Tämä kone voi vahingoittaa käsiä ja jalkoja ja singota esineitä. Turvallisuusvaroitusten noudattamatta jättäminen voi aiheuttaa vakavan henkilövahingon tai kuoleman.

VAROITUS: Kun käytät sähkökäyttöisiä ruohonleikkureita, tiettyjä turvallisuuteen liittyviä varotoimenpiteitä tulee aina noudattaa tulipalon, sähköiskun ja henkilövahingon riskin pienentämiseksi.

TÄRKEÄÄ

LUE HUOLELLISESTI ENNEN KÄYTTÖÄ. SÄILYTÄ OHJEET HUOLELLISESTI.

JOHDOTTOMAN RUOHONLEIKKURIN TURVAMÄÄRÄYKSET

HUOMIO-ÄLÄ KOSKETA PYÖRIVÄÄ TERÄÄ!

ENNEN KÄYTTÖÄ

- Lue ohjeet huolellisesti. Perehdy hallintalaitteisiin ja laitteen asianmukaiseen käyttöön.
- Älä anna lasten tai näihin ohjeisiin perehtymättömien henkilöiden koskaan käyttää laitetta. Paikalliset säännöt voivat rajoittaa käyttäjän ikää.
- Älä koskaan leikkaa nurmikkoa muiden henkilöiden ja erityisesti lasten tai lemmikkieläinten lähellä.
- Laitteen käyttäjä on vastuussa muille henkilöille tai heidän omaisuudelleen sattuvista tapaturmista tai aiheutuvista vaurioista.

KÄYTÖN VALMISTELU

- Pidä aina tukevia jalkineita ja pitkiä housuja, kun leikkaat nurmikkoa.
- Älä käytä laitetta, kun olet paljain jaloin tai kun jalassasi on avoimet sandaalit.
- Tarkasta perusteellisesti alue, jossa laitetta aiotaan käyttää ja poista kaikki kivet, oksat, johdot, luut ja muut vieraat esineet.

- Tarkasta aina ennen käyttöä silmämääräisesti, että terät, terän pultit ja terälaite eivät ole kuluneet tai vaurioituneet. Vaihda kuluneet tai vaurioituneet terät ja pultit sarjoina tasapainon säilyttämiseksi.

KÄYTTÖ

- Leikkaa nurmikkoa vain päivänvalossa tai hyvässä keinovalossa.
- Vältä mahdollisuuksien mukaan käyttämästä laitetta ruohon ollessa märkää.
- Varmista aina kunnan asento kaltevilla pinnoilla.
- Kävele, älä koskaan juokse
- Jos käytät pyörillä varustettua pyörivää ruohonleikkuria, leikkaa nurmikko rinteiden kaltevuusuunnassa, älä koskaan ylös ja alas
- Ole erittäin varovainen, kun vaihdat suuntaa rinteissä.
- Älä leikkaa nurmikkoa liian jyrkistä rinteistä.
- Ole erittäin varovainen, kun kuljet taaksepäin tai vedät laitetta itseäsi kohti.
- Pysäytä terä(t), jos laitetta on kallistettava kuljetusta varten ylittäessäsi muita kuin ruohopintoja ja kuljettaessasi laitetta leikattavalle alueelle ja sieltä pois.
- Älä koskaan käytä laitetta suojusten tai suojakilpien ollessa viallisia tai ilman, että turvalaitteet, kuten ohjaimet ja/tai ruohonkerääjät, ovat paikoillaan.
- Käynnistä moottori ohjeiden mukaan ja pidä jalat pois terän tieltä.
- Älä kallista laitetta, kun käynnistät moottoria, paitsi jos laitetta on kallistettava käynnistystä varten. Siinä tapauksessa kallista laitetta vain sen verran, kun on pakko ja nosta vain sitä osaa, joka on kaukana käyttäjästä. Varmista, että molemmat kädet ovat käyttöasennossa ennen kuin palautat laitteen maan tasolle.
- Älä käynnistä laitetta, kun seisot poistoaukon edessä.
- Älä laita käsiä tai jalkoja pyörivien osien lähelle tai alle. Pyörivien leikkureiden tapauksessa pidä huolta, että poistoaukko on aina puhdas.
- Älä koskaan nosta tai kanna laitetta, jonka moottori on käynnissä.
- Sammuta laite ja poista irrotettava akku (tai estolaite) ja varmista, että kaikki liikkuvat osat ovat pysähtyneet täysin ennen kuin säädät tai puhdistat laitetta:
 - Aina, kun jätät koneen
 - Ennen tukoksen poistamista;
 - Ennen kuin tarkastat, puhdistat tai huollat laitetta;
 - Kun osut vieraaseen esineeseen. Tarkasta laite vaurioiden varalta ja korjaa tarvittaessa;
- Jos laite alkaa täräistä normaalista poikkeavalla tavalla (tarkasta välittömästi).

- Vahinkojen varalta;
- Vaihda tai korjaa kaikki vahingoittuneet osat;
- Tarkista ja kiristä mahdolliset löystyneet osat.

YLLÄPITO JA VARASTOINTI

- Ole varovainen, kun säädät laitetta, etteivät sormesi juutu liikkuvien terien tai laitteen kiinteiden osien väliin.
- Pidä kaikki mutterit, pultit ja ruuvit tiukalla, jotta voit varmistaa laitteen turvallisen toiminnan.
- Tarkista ruohonkeräin säännöllisesti kulumien tai heikkenemisen varalta.
- Korvaa kuluneet tai vahingoittuneet osat turvallisuussyistä.
- Lapset eivät saa tehdä puhdistus- tai kunnossapitotoimenpiteitä ilman valvontaa.
- Kun huollat teriä, huomioi, että vaikka virtalähde on poissa päältä, terät voivat silti liikkua.
- Varmista pyörivissä ruohonleikkureissa, että varaosina käytetään vain oikeanlaisia leikkuvälineitä.

HENKILÖKOHTAINEN TURVALLISUUS

Traagisia onnettomuuksia voi tapahtua, jos käyttäjä ei ole valppaana lasten ollessa läsnä. Ruohonleikkurit ja ruohonleikkaaminen kiehtovat usein lapsia. He eivät ymmärrä niihin liittyviä vaaroja. Älä koskaan oleta, että lapset pysyvät samassa paikassa, jossa viimeksi näit heidät.

- Pidä lapset ruohonleikkuaalueen ulkopuolella ja vastuuntuntoisen aikuisen, joka on joku muu kuin käyttäjä, tarkkaavaisen huolenpidon alaisena.
- Ole valpas ja sammuta ruohonleikkuri, jos lapsi astuu ruohonleikkuaalueelle.
- Ole erittäin varovainen, kun lähestyt sokeita kulmia, oviaukkoja, pensaita, puita tai muita kohteita, jotka voivat peittää näkyvistä ruohonleikkuria kohti mahdollisesti juoksevan lapsen.
- Lapsia tulee valvoa, jotta voidaan varmistaa, että he eivät leiki ruohonleikkurilla..
- Sammuta ruohonleikkuri aina, kun irrotat akkuyksikköä työkalusta. Pysäytä terä(t), jos laitetta on kallistettava kuljetusta varten ylittäessäsi muita kuin ruohopintoja ja kuljettaessasi laitetta leikkatavalle alueelle ja sieltä pois.

KÄYTTÖ PERUSKÄYTTÖ:

- Lue tämä käyttäjän käsikirja huolellisesti kokonaisuudessaan ennen kuin yrität koota koneen. Lue ennen koneen käyttöä kaikki siinä ja käsikirjoissa mainitut ohjeet siten, että ymmärrät ne. Noudata myös ohjeita. Perehdy ennen koneen käyttöä kokonaisvaltaisesti hallintalaitteisiin ja koneen asianmukaiseen käyttöön. Säilytä tätä käsikirjaa turvallisuudessa paikassa tulevaa tarvetta varten ja perehdy siihen säännöllisin väliajoin. Tarvitset sitä myös varaosia tilatessasi.

- Käytä oikeaa laitetta - Käytä ruohonleikkuria vain sen käyttötarkoitusta vastaavaan työhön.
- Älä kurkottele - Säilytä aina tukeva asento ja hyvä tasapaino.
- Ruohonleikkurin terään osuvat esineet voivat aiheuttaa vakavia henkilövahinkoja. Nurmikko tulee aina tarkastaa huolellisesti ja tyhjentää kaikista esineistä ennen jokaista ruohonleikkua.
- Katso taakse ja alas ennen kuin liikut taaksepäin ja sen aikana, jotta huomaat pienet lapset ja muut henkilöt.
- Tämä kone ei ole leikkikalua. Ole siksi aina erittäin varovainen. Laitteesi on suunniteltu suorittamaan yksi työ: leikkaamaan ruohoa. Älä käytä sitä mihinkään muuhun tarkoitukseen.
- Älä ylikuormita ruohonleikkuria - se tekee työn paremmin ja turvallisemmin sillä nopeudella, jolle se on suunniteltu.
- Tarkasta aina ennen käyttöä silmämääräisesti, että terät, terän pultit ja terälaitte eivät ole kuluneet tai vaurioituneet. Vaihda kuluneet tai vaurioituneet terät ja pultit ja kaikki muut komponentit yhtä aikaa tasapainoin säilyttämiseksi. Vaihda vaurioituneet kyltit tai kyltit, joita on mahdoton lukea.
- Ole erittäin varovainen, kun kuljet taaksepäin tai vedät laitetta itseäsi kohti.
- Tarkasta perusteellisesti alue, jossa laitetta aiotaan käyttää. Poista kaikki kivet, oksat, johdot, lelut ja muut vieraat esineet, joihin voidaan kompastua tai jotka voivat terän mukana nousta maasta ja sinkoutua ympäriinsä. Ympäriinsä sinkoutuvat esineet voivat aiheuttaa vakavan henkilövahingon. Suunnittele leikkuaureitti, jotta voit välttää leikkuaureitteen heittäminen kohti teitä, jalkakäytäviä, sivullisia ja muita vastaavia kohteita. Vältä myös purkamasta leikkuaureitettä seinä tai esteitä kohti, jolloin purettu leikkuaureite voi kimmota takaisin käyttäjää päin.
- Voit helpoimmin välttää koskettamasta terää tai sinkoutuvien esineiden aiheuttamaa vahinkoa pysymällä käyttäjän alueella kahvojen takana ja pitämällä lapset, sivulliset, apulaiset ja lemmikkieläimet vähintään 30m päässä ruohonleikkurista sen ollessa käytössä. Sammuta kone, jos joku astuu alueelle.
- Pidä aina turva- tai suojalaseja silmiesi suojelemiseksi käytön aikana ja tehdessäsi säätöjä tai korjauksia. Ympäriinsä sinkoutuvat esineet, jotka kimpoavat takaisin, voivat aiheuttaa vakavan silmävamman. Pidä aina kasvo- tai hengityssuojainta, jos puhaltimen käytöstä syntyy paljon pölyä.
- Pukeudu asianmukaisesti - Älä käytä löysiä vaatteita tai koruja. Ne voivat tarttua liikkuviin osiin. Suosittelemme kumikäsineiden ja -jalkineiden käyttöä

ulkona työskennellessä. Pidä tukevia, karkeapohjaisia työkenkiä ja ihonmyötäisiä housuja ja paitoja.

Suosittellemme paitoja ja housuja, jotka peittävät käsivarret ja sääret, sekä teräskärkisiä kenkiä. Älä koskaan käytä tätä konetta paljain jaloin, sandaaleissa, liukkaissa tai kevyissä (esim. kangas-) kengissä.

- Älä laita käsiä tai jalkoja lähelle pyöriviä osia tai leikkuurungon alle. Terän koskettaminen voi vaurioittaa käsiä ja jalkoja.
- Puuttuva tai vaurioitunut ulosheittosuoja voi aiheuttaa teräkosketuksen tai vammoja sinkoutuvista esineistä.
- Vammoja tapahtuu usein sen seurauksena, että ruohonleikkuri vedetään jalan yli liukastumisen tai kompastumisen aiheuttaman kaatumisen aikana. Älä pidä kiinni leikkurista, jos kaadut; päästä kahva irti välittömästi.
- Älä koskaan vedä ruohonleikkuria takaisin itseäsi kohti samalla, kun kävelet. Jos sinun täytyy peruuttaa ruohonleikkuria pois päin seinästä tai esteen luota, katso ensin alas ja taakse välttääksesi kompastumisen ja noudata sen jälkeen seuraavia vaiheita:
 - Ota etäisyyttä ruohonleikkuriin, jotta voit kokonaan ojentaa käsivarret.
 - Varmista, että sinulla on tasapainoinen ja vakaa asento.
 - Vedä ruohonleikkuria hitaasti taaksepäin enintään puoleen väliin itseäsi kohti
- Toista nämä vaiheet tarvittaessa.
- Älä käytä ruohonleikkuria alkoholin tai huumausaineiden vaikutuksen alaisena.
- Älä koskaan käytä laitetta suojusten tai suojakilpien ollessa viallisia tai ilman, että turvalaitteet, kuten ohjaimet ja/tai ruohonkerääjät, ovat paikoillaan.
- Pysy valppaana - keskity siihen, mitä teet. Käytä tervettä järkeä. Älä käytä ruohonleikkuria väsyneenä.
- Moottorin/terän säätökahva on turvalaite. Älä koskaan yritä ohittaa sen toimintaa. Muutoin turvalaite on toimintakyvytön ja seurauksena voi olla henkilövahinko kosketuksesta pyörivään terään. Moottorin/terän säätökahvan tulee toimia helposti molempiin suuntiin ja palata vapautettaessa automaattisesti irtikytkentäasentoon
- Vältä vaarallisia ympäristöjä - Älä käytä ruohonleikkureita kosteissa tai märissä paikoissa.
- Älä käytä sateessa.
- Varmista aina kunnon asento. Liukastuminen ja kaatuminen voivat aiheuttaa vakavan henkilövahingon. Jos tunnet menettäväsi asentosi, päästä moottorin/terän säätökahva välittömästi irti ja terä lopettaa pyörimisen kolmen sekunnin kuluessa.

- Pysäytä terä, kun ylität sorateitä, jalkakäytäviä tai ajoteitä
- Jos laite alkaa täristä poikkeavasti, pysäytä moottori ja tarkasta välittömästi syy. Tärinä on yleensä merkki häiriöistä.
 - Tarkasta vaurioiden varalta
 - Vaihda tai korjaa käyttäjän vaihdettavissa olevat vaurioituneet osat;
 - Tarkasta löysien osien varalta ja kiristä ne
- Älä koskaan käytä ruohonleikkuria ilman takasuojaa, ulosheittosuojaa, ruohopussia, silppuria, sivuosan ulosheittokourua, moottorin/terän säätökahvaa tai muita paikoillaan ja toiminnassa olevia turvalaitteita. Älä koskaan käytä ruohonleikkuria, jos turvalaitteet ovat vaurioituneet. Varoituksen noudattamatta jättäminen voi aiheuttaa henkilövahingon.
- Jos esiintyy tilanteita, joita ei käsitellä tässä käsikirjassa, ole varovainen ja käytä hyvää harkintaa. Ota yhteyttä EGO- asiakaspalveluun avun saamiseksi.
- Käytä vain alla mainittujen akkuyksikköjen ja latauslaitteiden kanssa:

AKKUYKSIKKÖ	LATAUSLAITE
BA1120E, BA2240E, BA2800, BA3360, BA4200	CH5500E, CH2100E

- Akkuyksikkö täytyy irrottaa laitteesta ennen laitteen romuttamista
- Akku on hävitettävä turvallisesti.

KÄYTTÖ RINTEESSÄ:

Rinteet ovat erittäin suuri tekijä liittyen liukastumiskaa-tumisista johtuviin tapaturmiin, joista voi seurata vakava vahinko. Varmista aina kunnon asento kaltevilla pinnoilla. Rinteissä leikkaaminen edellyttää erittäin suurta varovai-suutta. Jos rinne saa sinut hermostuneeksi, älä leikkaa sen ruohoa. Käytä turvallisuusyistä sivulla 26 mainittua rinnemittaa rinteiden mittaamiseen ennen kuin käytät tätä laitetta alueella, jossa on rinteitä tai mäkiä. Jos rinteet kaltevuus on yli 15 astetta, älä leikkaa sen ruohoa.

Toimi seuraavasti:

- Leikkaa nurmikko rinteet kaltevuussuunnassa, älä koskaan ylös ja alas. Ole erittäin varovainen, kun vaihdat suuntaa rinteissä.
- Varo reikiä, uria, kiviä, piiloesineitä tai töyssyjä, joihin voit liukastua tai kaatua. Pitkä ruoho voi piilottaa esteitä.

Älä toimi seuraavasti:

- Älä leikkaa ruohoa alamäkien, ojentien tai pengertien läheltä; voit menettää asennon ja tasapainon

- Älä leikkaa rinteitä, joiden kaltevuus on rinnemittarin mukaan yli 15 astetta.
- Älä leikkaa märkää ruohoa. Epävakaa asento voi saada sinut liukastumaan.

HUOLTO

VAROITUS: Ruohopussin osiin, ulosheittosuojaan, sivuosan ulosheittokouruun, silppuriin ja takasuojaan kohdistuu kulumista ja vaurioitumista, mikä voi saada liikkuvat osat näkyviin tai singota esineitä ja lisätä täten loukkaamisriskiä. Tarkasta turvallisuuden varmistamiseksi kaikki komponentit säännöllisesti ja vaihda vaurioituneet komponentit välittömästi tässä käsikirjassa mainittuihin valmistajan hyväksymiä varaosia. Ota yhteyttä EGO-asiakaspalveluun tai lähimpään EGO- huoltopisteeseen ja valtuutetun huoltoteknikon tulee suorittaa kaikki korjaukset ja vaihdot.


- Jos ruohonleikkurin sisäänrakennetun ylikuormitusuojan kytkin laukeaa toistuvasti, ota yhteyttä EGO- asiakaspalveluun tai lähimpään EGO- huoltopisteeseen.
- Älä pese ruohonleikkuria letkulla; estä veden pääsy moottoriin ja sähköliitäntöihin.
- Irrota avain ja varastoi toimetomat ruohonleikkurit sisätiloihin, kun niitä ei käytetä. Anna moottorin jäähtyä ennen kuin varastoit sen suljettuun tilaan. Ruohonleikkuri tulee varastoida korkealle ja kuivaan tai lukittuun suljettuun tilaan lasten ulottumattomiin.
- Käytä huollon yhteydessä vain tässä käsikirjassa mainittuja valmistajan hyväksymiä varaosia. Laitteen alkuperäisiä vaatimuksia täyttämättömien osien käyttö voi saada laitteen toimimaan väärin ja vaarantaa turvallisuuden.
- Irrota tai katke akkuyksikkö irti ennen huoltoa, puhdistusta tai materiaalin puhdistamista ruohonleikkurista.
- Noudata lisävarusteiden vaihtamiseen liittyviä ohjeita.
- Pidä kahvat kuivina, puhtaina, öljyttöminä ja rasvattomina
- Pienennä tulipalon vaaraa pitämällä ruoho, lehdet ja leikkujätekeritymät kaukana moottorin kotelosta.
- Tarkasta terän ja moottorin kiinnityspulttien oikea kireys säännöllisin väliajoin. Tarkasta terä silmämääräisesti myös vaurioiden varalta (esim. taipuminen, murtuminen ja kuluminen). Vaihda terä vain tässä käsikirjassa mainitulla identtisellä vaihtoterällä.

- Huolla ruohonleikkuria huolellisesti - pidä leikkurin terä terävänä ja puhdista parhaan ja turvallisimman suorituskyvyn aikaansaamiseksi. Ruohonleikkurin terät ovat teräviä ja ne voivat viiltää. Peitä terä tai käytä käsineitä ja ole erittäin varovainen, kun huollat sitä.
- Älä koskaan poista tai peukaloi turvalaitteita. Tarkasta niiden asianmukainen toiminta säännöllisesti. Älä koskaan tee mitään, mikä häiritsee turvalaitteelle tarkoitettua toimintaa tai vähentää turvalaitteen tarjoamaa suojaa.
- Pysäytä moottori aina ennen säätöjen tekemistä pyörään tai leikkuukorkeuden säätöä.
- Kun osat vieraaseen esineeseen, pysäytä moottori, irrota avain ja tarkasta ruohonleikkuri perusteellisesti vaurioiden varalta. Korjaa vauriot ennen ruohonleikkurin käyttöä.
- Ylläpidä tai vaihda turvallisuus- ja ohjekyltit tarvittaessa. Ota yhteyttä EGO-asiakaspalveluun tai lähimpään EGO- huoltopisteeseen ja valtuutetun huoltoteknikon tulee suorittaa kaikki korjaukset ja vaihdot.
- **SÄILYTÄ NÄMÄ OHJEET.** Lue niitä usein ja anna ne myös luettavaksi muille henkilöille, jotka mahdollisesti käyttävät työkalua. Jos lainaat työkalua toiselle henkilölle, anna mukaan myös nämä ohjeet, jotta voit estää tuotteen väärinkäytön ja mahdollisesti vahingon.

AKUN KÄYTTÖ JA HOITO

- Kierrätä tai hävitä akut asianmukaisesti luonnonvaroja säästävällä tavalla. Tämä tuote sisältää litiumioniakkuja. Paikalliset tai kansalliset lait estävät litiumioniakkujen hävittämisen tavallisten roskien mukana. Kysy paikalliselta jäteviranomaiselta tietoja käytettävissä olevista kierrätys- ja/tai hävitysvaihtoehtoista.
- Suojaa akkuyksikön navat kestäväällä teipillä, kun akkuyksikkö on irrotettu hävittämistä tai kierrätystä varten. Älä yritä tuhota tai purkaa akkuyksikköä tai irrottaa sen osia. Litiumioniakut täytyy kierrättää tai hävittää oikein. Älä myöskään koskaan kosketa napoja metalliesineillä ja/tai kehon osilla, koska siitä voi aiheutua oikosulku. Pidä poissa lasten ulottuvilta. Näiden varoitusten noudattamatta jättäminen voi aiheuttaa tulipalon ja/tai vakavan henkilövahingon
- **NESTETTÄ VOI VUOTAA AKUSTA, JOS SIIHEN KOHDISTUU ISKUJA; VÄLTÄ TÄLLÖIN KONTAKTIA. JOS KONTAKTI VAHINGOSSA TAPAHTUU, HUUHTELE VEDELLÄ. JOS NESTETTÄ PÄÄSEE SILMIIN, HAKEUDU MYÖS LÄÄKÄRIN HOITOO.** Akkuneuste voi aiheuttaa ärsytystä tai palovammoja.

MÄÄRITYKSET

Mallinumero	LM2120E	LM2120E-SP
Automaattinen työntöjärjestelmä	Ei	Kyllä
Jännite	56 V 	56 V 
Nopeus ilman vastusta	2800 /min	2800 /min
Leikkauskorkeus	28-94 mm	28-94 mm
Leikkauskorkeuden asennot	6	6
Kannen koko	53 cm	53 cm
Leikkausleveys	52 cm	52 cm
Ruohopussin tilavuus	70 L	70 L
Leikkurin paino (ilman akkua)	22,10 kg	24,55 kg
Terämalli	AB2101	AB2101
Mitattu äänen tehotaso L_{WA} K=2 dB(A)	89,9 dB(A)	89,5 dB(A)
Äänenpaineen taso käyttäjän korvien tasolla L_{PA} K=3 dB(A)	87 dB(A)	87 dB(A)
Taattu äänen tehotaso L_{WA} (2000/14/EC:n mukaisesti)	92 dB(A)	92 dB(A)
Väriä a_h K=1,5 m/s ²	Vasen kahva $\leq 2,5$ m/s ² Oikea kahva $\leq 2,5$ m/s ²	$\leq 2,5$ m/s ² $\leq 2,5$ m/s ²
Terän jarru	Kyllä	Kyllä

- Ilmoitettu värinän kokonaisarvo on mitattu standardikoemenetelmän mukaan ja sitä voidaan käyttää verrattaessa työkaluja keskenään
- Ilmoitettua värinän kokonaisarvoa voidaan myös käyttää altistumisen ennakoarvioinnissa.

HUOMAA: Sähkötyökalun todellisen käytön aikana ilmenevä värinä voi erota työkalun käytölle ilmoitetusta arvosta. Käyttäjän suojelemiseksi on todellisissa käyttöolosuhteissa käytettävä käsineitä ja kuulosuojaimia.

PAKKAUSLUETTELO

OSAN NIMI	MÄÄRÄ
Ruohonleikkuri	1
Ruohopussi	1
Ruohopussin kehys	1
Silppuri	1
Turva-avain	2
Käyttäjän käsikirja	1

KUVAUS

TUNNE LEIKKURISI (kuvat A, B, ja C)

1. Turvallisuuspainike
2. Automaattisen työntönnön liipaisin
3. Kahvan lukituskiristin
4. Takana oleva poistoluukku
5. Takakahva
6. Akun kansi
7. LED-ajovalot
8. Etukahva
9. Eturengas
10. Leikkauskorkeuden säätövipu
11. Leikkurin kansi
12. Takarengas
13. Ruohopussi
14. Pikasäädin
15. Sivukisko
16. Automaattisen työntönnön nopeudensäädinvipu
17. Vapautuskytkin (kytkinvipu)
18. Kahva
19. Maankattolisäke
20. Tuiki pystysäilytystä varten
21. Lokasuoja
22. LED-ajovalojen kytkinpainike
23. Virran merkkivalo

KÄYTTÖ

RUOHOPUSSIN KOKOAMINEN

- 1) Liu'uta ruohopussi kehukseen (kuva D).
- 2) Kiinnitä yläkiinnikkeet kehukseen (kuva E) kiinnittä sen jälkeen kaksi sivukiinnikettä. Kiinnitä alakiinnike viimeisenä.
- 3) Valmiiksi koottu ruohopussi on esitetty kuvassa F.

⚠ HUOMAA: Pussin materiaali voi kuluu tavallisessa käytössä. Tarkasta pussiysikkö usein tapaturmariskin pienentämiseksi ja vaihda, jos löydät merkkejä kulumisesta tai vaurioitumisesta. Käytä ainoastaan tätä ruohonleikkuria varten valmistettuja ruohopusseja.

TAITETTAVAN KAHVAN SÄÄTÄMINEN

⚠ VAROITUS: Älä yritä käynnistää leikkuria ennen kuin kahva on lukittu johonkin esiasetetuista käyttöasentoista (YLEMPI KÄYTTÖASENTO, KESKITASON KÄYTTÖASENTO ja YLEMPI KÄYTTÖASENTO).

Leikkurin kahva on kuljetettaessa tilaa säästävässä, LUKITUSSA VARASTOASENNOSSA (kuva G).

- 1) Paina pohjassa pikasäädintä, niin kahva vapautuu LUKITUSTA VARASTOASENNOSTA (kuva H-1).
- 2) Nosta kahva taitetusta asennosta ja vapautaa säädin. Käännä säädintä ylös, kunnes kuulet ja tunnet lukkopinnin lukittuvan johonkin kuvan H osoittamista asennoista.

- RUOHOPUSSIN LIITTÄMIS-/POISTAMISASENTO (kuva H -2).
- KESKITASON KÄYTTÖASENTO (kuva H-3).
- KESKITASON KÄYTTÖASENTO (kuva H-4)
- KESKITASON KÄYTTÖASENTO (kuva H-5).

RUOHOPUSSIN/MAANKATTOLISÄKKEEN LIITTÄMINEN/POISTAMINEN

VAROITUS: Älä tee milloinkaan muutoksia ruohonleikkuriinilman, että ensin sammutat moottorin, poistat turvaavaimen ja odotat, että terä lopettaa pyörimisen.

HUOMAA: Liitä mikä tahansa osa ruohonleikkuriin ennen leikkaamista.

- Ruohopussin liittäminen/irrottaminen (kuva I)

HUOMAA: Poista esiasennettu maankattolisäke leikkurista ennen kuin liität leikkuriin ruohopussin.

- Maankattolisäkkeen liittäminen/irrottaminen (kuva J)

LEIKKAUSKORKEUDEN SÄÄTÄMINEN (kuva K)

VAROITUS: Pidä jalat etäällä rungosta, kun säädät sen korkeutta. Ruohonleikkuri voidaan asettaa 5 eri leikkuukorkeudelle 28-94 mm välille. Valitse oikea leikkuukorkeus ruohotyypin ja nurmikon olosuhteiden mukaan.

HUOMAA: Varmista työkalua liikuttaessasi, että leikkuukorkeus on säädetty vähintään asentoon 3. Varoituksen noudattamatta jättäminen voi aiheuttaa terän vaurioitumisen.

AKKUYKSİKÖN KIINNITYS/IRROTUS (kuva L)

LATAA ENNEN ENSIMMÄISTÄ KÄYTTÖÄ.

VAROITUS: Jos jokin osa on rikkoutunut tai puuttuu, älä yritä kiinnittää akkuyksikköä ruohonleikkuriin tai käyttää ruohonleikkuria ennen kuin rikkoutuneet tai puuttuvat osat on korvattu. Varoituksen noudattamatta jättäminen voi aiheuttaa vakavan henkilövahingon.

■ Liittäminen

Työnnä akkuyksikköä, kunnes kuulet napsahduksen.

■ Poistaminen

Paina akkuosiossa olevaa akun vapautuspainiketta ja vedä akku ulos.

Kuva L osien kuvaus alla:

L-1	Turva-avaimen avaimenreikä
L-2	Turva-avain
L-3	Akun vapautuspainike

HUOMAA: Varmista ennen käytön aloittamista, että ruohonleikkurin salpa napsahtaa paikalleen ja että akkuyksikkö on kiinnitetty ruohonleikkuriin.

LEIKKURIN KÄYNNISTÄMINEN/SAMMUTTAMINEN

VAROITUS: Vierasesineitä voi ruohonleikkurien käytön seurauksena lentää omiin silmiisi tai muiden silmiin, jolloin silmiin voi tulla vakavia silmävammoja. Pidä aina suojalaseja käyttäessäsi ruohonleikkuria ja tehdessäsi siihen säätöjä tai korjauksia.

VAROITUS: Älä käytä ruohonleikkuria sateella.

VAROITUS: Varmista, että muut ihmiset ja lemmikkieläimet ovat vähintään 30m päässä ruohonleikkurista sen ollessa käytössä.

VAROITUS: Terä jatkaa muutaman sekunnin pyörimistä sen jälkeen, kun ruohonleikkuri on sammutettu. Anna moottorin/terän pysähtyä ennen kuin käynnistät sen uudelleen. Älä käynnistä ja sammuta ruohonleikkuria nopeasti.

HUOMAA: Moottorin voi käynnistää vain, jos.

- Kahva on lukittu toiseen käyttöasentoon
- Sivukiskot ovat täydessä pituudessaan (kuva M).
- Molemmat vihreät kahvan lukituskiinnikkeet on lukittu kunnolla (kuva N).

VAROITUS: Älä yritä ohittaa turvapäinikkeen tai vapautuskytkimen toimintaa.

Käynnistys (kuva P)

- 1) Liitä akku leikkuriin, aseta turva-avain avaimenreikään ja sulje akun kansi (kuva L).
- 2) Paina turvapäinike pohjaan kuvan O mukaisesti.
- 3) Samalla kun turvapäinikettä painetaan pohjaan, vedä vapautuskytkintä ylös kahvaan asti ja päästä sitten irti turvapäinikkeestä.

Sammutus (kuva Q)

- 1) Vapautaa ajokytkin.

- 2) Automaattisen jarrulaitteiston sähköjarru pysäyttää terän pyörimisen 3 sekunnin kuluessa ajokytkimen vapauttamisesta.

VAIHELEEVANOPEUKSINEN AUTOMAATTINEN TYÖNTÖJÄRJESTELMÄ

LM2120E-SP-leikkurissa on vaihtelevanopeuksinen automaattinen työntömahdollisuus. Järjestelmä on erillinen terän virtakytkimestä; se ei ole riippuvainen terien pyörimisestä.

Jos haluat käyttää järjestelmää ilman, että terät pyörivät, vedä automaattisen työntötoiminnon liipaisinta kahvaa kohti.

Kun päästät irti automaattisen työntötoiminnan liipaisimesta, automaattinen työntötoiminta sammuu.

Järjestelmän nopeus on vaihteleva. Jos haluat lisätä nopeutta, siirrä automaattisen työntötoiminnan nopeusvipua eteenpäin. Jos haluat vähentää nopeutta, siirrä automaattisen työntötoiminnan nopeusvipua taakse (kuva R).

Leikkukäyttö pyörivien terien kanssa:

- Käynnistä leikkuri.
- Pidä vapautuskytkintä kahvaa vasten vasemmalla kädelläsi ja vedä samalla automaattisen työntötoiminnon liipaisinta kahvaa kohti oikealla kädelläsi.
- Pidä sekä vapautuskytkintä että automaattisen työntötoiminnan liipaisinta kahvaa vasten oikealla kädelläsi ja käytä vasenta kättäsi säätämään automaattisen työntötoiminnon nopeusvipua halutulla tavalla.

HUOMAA: Kun leikkaat, on helpompaa kiertää jokin objekti, kuten puu tai muu kasvi, ilman automaattista työntötoimintaa.

VAROITUS: Vammariskin vähentämiseksi älä ikinä yritä ohittaa kytkintä tai automaattista työntötoimintaa. Automaattinen työntötoiminto on tarkoitettu vain suunniteltuun käyttötarkoitukseensa.

LEIKKURIN LED-AJOVALOT (kuva. A-7)

Paina vaihtopainiketta (kuva C-22) syyttääksesi/sammuttaaksesi LED-ajovalot akkuosion etuosassa.

LEIKKURIN VIRRRAN MERKKIVALO (kuva S)

Ruohonleikkuri on varustettu virran tilan osoittimella, joka ilmaisee akkuyksikön varauksen tilan ja ruohonleikkurin työskentelytilan. Virran tilan osoitin syttyy, kun terä pyörii tai kun LED-työvalot palavat.

Ruohonleikkurin virran tilan osoitin	Merkitys	Toimenpide
Palaa vihreänä	Ruohonleikkuri toimii asianmukaisesti; akun varausta on jäljellä vähintään 15%	n/a
Palaa punaisena	Matala akun varaus	Sammuta ruohonleikkuri ja lataa akkuyksikkö
Vilkkuu punaisena	Akkuyksikkö on lähes tyhjä	Sammuta ruohonleikkuri ja lataa akkuyksikkö
Palaa oranssina	Ruohonleikkuri tai akkuyksikkö on ylikuumentunut	Irrota akku ruohonleikkurista, siirrä molemmat varjoon ja anna niiden jäähtyä vähintään 15 minuuttia
Vilkkuu oranssina	Ruohonleikkuri on ylikuormitunut	Leikkaa hitaammin tai pienemmä kuormitusta nostamalla leikkukorkeutta

LEIKKURIN YLIKUORMITUSSUOJAUS

Ylikuormituksen välttämiseksi vältä liian suurten ruohikoalueliden leikkaamista kerralla. Hidasta leikkaustahtia tai nosta leikkauskorkeutta.

Leikkurissa on sisäänrakennettu ylikuormitussuojaus. Kun leikkuri on ylikuormitunut, moottori sammuu ja leikkurin virran merkkivalo vilkkuu oranssina. Poista akku leikkurista. Tarkista, onko kannen alle kertynyt ruohoa ja poista se tarvittaessa. Asenna sitten akku takaisin ja käynnistä leikkuri uudelleen.

AKUN KORKEAN LÄMPÖTILAN SUOJA

Akkuyksikkö tuottaa lämpöä käytön aikana. Lämpö haihtuu pois hitaammin kuumalla säällä. Jos akun lämpötila ylittää 70 °C käytön aikana, suojauspiiri sammuttaa välittömästi ruohonleikkurin akkuyksikön suojelemiseksi vaurioitumiselta. Ruohonleikkurin virran tilan osoitin palaa oranssina.

Vapauta ajokahva, odota kunnes akkuyksikkö jäähtyy n. 67 °C:n lämpötilaan ja käynnistä ruohonleikkuri sen jälkeen uudelleen.

YLLÄPITO

VAROITUS: Poista turva-avain leikkurista aina, kun kokoat osia, teet muutoksia laitteeseen, puhdistat laitetta tai siirät sitä vakavan henkilövamman välttämiseksi.

VAROITUS: Käytä huollon yhteydessä vain valmistajan hyväksymiä varaosia. Muiden osien käyttö voi aiheuttaa vaaran tai vahingoittaa tuotetta. Valtuutetun huoltoteknikon tulee suorittaa kaikki korjaukset ja vaihdot, jotta voidaan taata tuotteen turvallinen ja luotettava käyttö.

LEIKKURIN PUHDISTUS

Leikkurin kannen alaosa tulee puhdistaa jokaisen käyttökerran jälkeen, sillä ruoho, lehdet, lika ja muu irtoaines kertyvät sinne.

Poista kaikki kertynyt ruoho ja lehdet ajoakselin ympäriltä (vain LM2120E-SP) ja moottorituulettimesta (älä käytä vettä). Puhdista leikkuri kostealla liinalla.

TERÄN POISTAMINEN/ASENTAMINEN

VAROITUS: Suojaa aina kätesi paksuilla käsineillä tai käärimällä leikkauspinnat riepuihin tai muihin materiaaleihin silloin, kun teet ylläpitotöitä leikkurin terälle. Poista aina akku, kun huollat tai kuljetat leikkuria.

■ Terän poistaminen

Kuvan T mukaisesti.

HUOMAA: Jos pultti pyörii moottorin akselin kanssa, kun pulttia löysätään, käännä tuuletinta käsin, kunnes tuulettimen aukot ovat samassa linjassa terän aukkojen kanssa, ja laita toinen metallitanko reikiin (kuva U).

■ Terän asentaminen

Seuraa kuvan V kokoonpanojärjestystä: kun tuulettimen terä on kohti kantta ja kuviollinen terän puoli kohti ulkopuolta, linjaa tuulettimen aukot terän aukkoihin (kuva W) ja kiristä sitten terä kuvan X osoittamalla tavalla.

Kuvien U ja V osien kuvaus alla:

U-1	Vakain 1	V-2	Sisälaippa
U-2	Vakain 2	V-3	Terä
U-3	14 mm:n kiintoavain	V-4	Ulkolaippa
V-1	Tuuletin	V-5	Pultti

HUOMAA: Suositeltu momentti terän pulstin kiristämiseksi on 49–59Nm.

LEIKKURIN SÄILYTYS

- Irrota akkuyksikkö ruohonleikkurista ja varastoi se viileään ja kuivaan tilaan. Älä säilytä sitä syövyttävien materiaalien, kuten lannoitteiden tai suolan, vieressä.
- Varastoi ruohonleikkuri katettuun, suljettuun tilaan, joka on viileä ja kuiva ja lasten ulottumattomissa.
- Älä peitä ruohonleikkuria yhtenäisellä muovipressulla. Muovipäälysteet pidättävät kosteutta ruohonleikkurin ympärille, mikä aiheuttaa ruostetta ja korroosiota.
- Leikkuri voidaan varastoida liiteänä tai pystyasennossa (kuva Y).

VAROITUS: Jos ruohonleikkuri alkaa kaatua kumoon pystysuorasta asennosta, ruohonleikkuri voi vaurioitua tai voi aiheuttaa henkilövahinko. Pidä ruohonleikkuri aina vakaana ja lasten ulottumattomissa, kun se on pystyasennossa asennossa. Jos mahdollista, varastoi se vaakasuoraan.

Ympäristönsuojelu



Älä hävitä sähkölaitteita, akun latauslaitteita ja akkuja/ladattavia akkuja kotitalousjätteen mukana!

Euroopan parlamentin ja neuvoston direktiivin 2012/19/EU mukaan sähkö- ja elektroniikkalaitteet, jotka eivät ole enää käyttökelpoisia, ja Euroopan parlamentin ja neuvoston direktiivin 2006/66/EY mukaan vialliset tai käytetyt akkuyksiköt/ akut täytyy kerätä erikseen.

Jos sähkölaitteet hävitetään viemällä kaatopaikoille tai roskaläjiin, vaarallisia aineita voi vuotaa pohjaveteen ja päästä ravintoketjuun ja vahingoittaa täten ihmisten terveyttä ja hyvinvointia.

EY-VAATIMUSTENMUKAISUUSVAKUUTUS

Me, EGO EUROPE GMBH

Wahlwiesenstrasse 1, D-71711 Steinheim an der Murr Deutschland

Vakuutamme, että tuote **56 V:n litiumioniakulla toimiva johdoton ruohonleikkuri LM2120E/LM2120E-SP** noudattaa seuraavien direktiivien keskeisiä terveys- ja turvallisuusvaatimuksia:

2006/42/EY, 2014/30/EU, 2011/65/EU, 2000/14/EY

Standardit ja tekniset erittelyt, joihin viitataan:

EN 60335-1, EN 60335-2-77, EN 62233, EN 55014-1, EN 55014-2

	LM2120E	LM2120E-SP
Mitattu äänen tehotaso:	89,9 dB(A)	89,5 dB(A)
Taattu äänen tehotaso:	92 dB(A)	92 dB(A)

Liitteen VI vaatimustenmukaisuuden arviointimenettely direktiivin 2000/14/EY mukaan.

Ilmoitettu laitos: Société Nationale de Certification et d'Homologation

Ilmoitetun laitoksen numero: 0499

KEES VAN DER SPEK
TUINMACHINES * STRELIJK

Peter Melrose
Toimitusjohtaja, EGO Europe GmbH

Dong Jianxun
Chevronin laatujohtaja

* (Auktorisoitu CHEVRONin edustaja ja vastuussa teknisistä asiakirjoista)

01/09/2016

VIANETSINTÄ

VAROITUS: Poista aina turva-avain ja akkuyksikkö, kun huollat tai kuljetat ruohonleikkuria. Suojaa aina käsiäsi käyttämällä paksuja käsineitä tai kietomalla leikkuusärmiin rättejä tai muita materiaaleja, kun huollat ruohonleikkurin terää

ONGELMA	SYY	RATKAISU
Ruohonleikkuri ei käynnisty	<ul style="list-style-type: none"> ■ Akkuyksikkö on tyhjä ■ Akkua ei ole kiinnitetty paikalleen akkulokerossa. ■ Akku tai ruohonleikkuri on liian kuuma. (Ruohonleikkurin virran tilan osoitin palaa oranssina 10 sekuntia) ■ Sivukiskot eivät ole täydessä pituudessaan ja kiinnikkeitä ei ole lukittu asentoon ■ Kahvaa ei ole asetettu kumpaankaan käyttöasentoon. ■ Ruoho ja leikkuujätteet ovat tukkineet ruohonleikkurin rungon. 	<ul style="list-style-type: none"> ■ Lataa akkuyksikkö ■ Kiinnitä akku leikkuriin. Paina sitä, kunnes kuulet naksahduksen. ■ Anna akkuyksikön tai ruohonleikkurin jäähtyä, kunnes lämpötila laskee alle 67 °C:een. ■ Pidennä kahva täyteen pituuteen ja lukitse molemmat kiinnikkeet ■ Säädä kahva toiseen käyttöasentoon. ■ Puhdista ruohonleikkurin runko ja varmista, että terä pääsee liikkumaan.
Ruohonleikkuri ei leikkaa tasaisesti	<ul style="list-style-type: none"> ■ Terä on tylsä. ■ Leikkuukorkeutta ei ole asetettu oikein. ■ Terä on koottu väärin. 	<ul style="list-style-type: none"> ■ Teroita tai vaihda terä. ■ Nosta runkoa korkeampaan leikkuukorkeusasetukseen ■ Kokoa terä uudelleen, noudattaen tämän käsikirjan osiota "TERÄN ASENNUS".
Ruohonleikkuri sammuu ruohonleikkua aikana	<ul style="list-style-type: none"> ■ Akkuyksikkö on tyhjä. ■ Ruohonleikkuri on ylikuormitustilassa ■ Ruoho ja leikkuujätteet ovat tukkineet ruohonleikkurin rungon ■ Akku tai ruohonleikkuri on liian kuuma (Ruohonleikkurin virran tilan osoitin palaa oranssina 10 sekuntia.) ■ Sivukisko on vetäytynyt hieman takaisin sisään kahvaan käytetyn työntövoiman seurauksena. 	<ul style="list-style-type: none"> ■ Lataa akkuyksikkö. ■ Nosta leikkuukorkeutta tai hidasta leikkuunopeutta. ■ Puhdista ruohonleikkurin runko. Nosta leikkuukorkeutta tai leikkaa kapeampaa väylää. ■ Anna akkuyksikön tai ruohonleikkurin jäähtyä, kunnes lämpötila laskee alle 67 °C:een. ■ Avaa kiinnikkeiden lukitus. Pidennä sivukiskot täyteen pituuteen ja lukitse kiinnikkeet uudelleen.

ONGELMA	SYY	RATKAISU
Ruohonleikkuri ei silppua oikein	<ul style="list-style-type: none"> ■ Märkä leikkuujäte tarttuu rungon alapuolelle ■ Ruohonleikkuri on asetettu leikkaamaan liikaa ruohoa kerralla. 	<ul style="list-style-type: none"> ■ Odota, kunnes ruoho kuivaa ennen kuin jatkat leikkaamista. ■ Nosta runkoa korkeampaan leikkuukorkeusasetukseen.
Liiallista tärinää esiintyy	<ul style="list-style-type: none"> ■ Leikkuuterä on löysällä. ■ Leikkuuterä on tasapainoton. ■ Leikkausterä on vääntynyt. ■ Moottorin akseli on taipunut 	<ul style="list-style-type: none"> ■ Kiristä terän pultti. ■ Tasapainota terä ohjeiden mukaan. ■ Vaihda terä. ■ Ota yhteyttä EGO-asiakaspalveluun.
The handle locking clamps cannot be closed in position.	<ul style="list-style-type: none"> ■ The side rails are not fully extended. 	<ul style="list-style-type: none"> ■ Fully extend the side rails, then lock the clamps.

FI TAKUU

EGO-TAKUUKÄYTTÄNTÖ

Katso verkkosivuilta osoitteesta egopowerplus.com EGO-takuukäytännön ehdot ja edellytykset kokonaisuudessaan.

KEES VAN DER SPEK
TUINMACHINES ★ STOLWIJK

LES ALLE INSTRUKSJONER!



LES BRUKSANVISNINGEN

⚠ Restrisiko! Personer med elektroniske enheter, for eksempel pacemakere, må rådføre seg med lege før de bruker dette produktet. Drift av elektrisk utstyr i umiddelbar nærhet av en pacemaker kan føre til at pacemakeren forstyrres eller svikter.

⚠ ADVARSEL: For sikre både sikkerheten og påliteligheten, skal alle reparasjoner utføres av en kvalifisert servicetekniker.

Planlagt bruk og forutsigbart misbruk: Produktet er beregnet for å klippe gress i private hager. Den må ikke brukes til å klippe uvanlig høyt, tørt eller vått gress, f.eks. beitegress; eller til å rive opp blader. Produktet skal bare brukes til det foreskrevne formålet sitt. All annen bruk anses å være misbruk.

SIKKERHETSSYMBOLER

Formålet med sikkerhetssymbolene er å trekke oppmerksomheten din mot mulige faresituasjoner. Sikkerhetssymbolene og forklaringene krever din fulle oppmerksomhet og forståelse. Symbolvarslene eliminerer ikke farer på egen hånd. Instruksjonene og advarslene som finnes i dem er ikke erstatninger for passende ulykkesforebyggende tiltak.

⚠ ADVARSEL: Sørg for å lese og forstå alle sikkerhetsanvisningene i denne bruksanvisningen, inkludert alle sikkerhetsvarselssymboler så som «FARE», «ADVARSEL» og «FORSIKTIG» før du bruker dette verktøyet. Hvis du ikke følger alle instruksjonene nedenfor, kan det føre til elektriske støt, brann og/eller alvorlig personskade.

SYMBOLFORKLARINGER

SIKKERHETSSYMBOL: Indikerer **FARE**, **ADVARSEL** eller **FORSIKTIG**. Kan brukes sammen med andre symboler eller piktogrammer.


⚠ ADVARSEL: Bruk av hvilke som helst elektroverktøy kan føre til at fremmedlegemer blir kastet mot øynene, og dette kan føre til alvorlig øyeskader. Før du begynner å bruke elektroverktøyet, skal du alltid bruke vernebriller eller vernebriller med sidebeskyttelse, og en full ansiktsskjerm der det trengs. Vi anbefaler en Wide Vision Safety Mask til bruk over briller, eller standard vernebriller med sidebeskyttelse.

SIKKERHETSINSTRUKSJONER

Denne siden viser og beskriver sikkerhetssymboler som finnes på produktet. Les, forstå og følg alle instruksjoner på maskinen før begynner montering og bruk.

	Sikkerhetsvarsel	Forsiktighetsregler som har med sikkerheten din å gjøre.
	Bruk vernebriller	Bruk alltid vernebriller eller vernebriller med sidebeskyttelse, og full ansiktsskjerm når du bruker dette produktet.
	Les brukermanualen.	For å redusere risikoen for skader, må brukeren lese og forstå bruksanvisningen før produktet brukes.
	Pass deg for skarpe blader.	Bladene fortsetter å rotere etter at motoren er slått av – fjern deaktiveringssikkerheten før vedlikehold. Slå av og fjern den avtagbare batteripakken (eller deaktiver enheten) før justering eller rengjøring.
	Hold tilskuere borte.	Sørg for at andre mennesker og kjæledyr er minst 30m unna klipperen når den er i bruk.
	Klasse II konstruksjon	Dobbeltisolert konstruksjon.
IPX4	IP-symbol	Beskyttelse mot inntrengning av vann, grad 4
V	Volt	Spenning
A	Ampere	Strøm
Hz	Hertz	Frekvens (sykluser per sekund)
W	Watt	Effekt
min	Minutter	Klokkeslett
	Vekselstrøm	Typen spenning

NO

	Likestrøm	Type eller karakteristikk for spenningen
n_0	Hastighet uten last	Rotasjonshastighet, uten last
.../min	Pr. minutt	Omdreininger pr. minutt

ødelagte. Bytt ut slitte eller ødelagte kniver og bolter i sett for å opprettholde balansen. Skadede eller uselelige etiketter.

DRIFT

- Klipp kun i dagslys eller med god kunstig belysning.
- Unngå å bruke apparatet i vått gress, når det er mulig.
- Vær alltid sikker på at du har fotfeste i bakker.
- Gå, løp aldri.
- Ved bruk av klippere med hjul, skal man klippe på tvers i bakker; aldri opp og ned.
- Utvis ekstrem forsiktighet når du endrer retning i skråninger.
- Ikke klipp i for bratte bakker.
- Vær ekstremt forsiktig når du rygger eller trekker produktet mot deg.
- Stopp blad(ene) hvis apparatet må vipres for transport når du krysser overflater annet enn gress, og ved transport av apparatet til og fra området som skal klippes.
- Bruk aldri apparatet med defekte vern eller skjerm, eller hvis sikkerhetsutstyr, for eksempel deflektorer og/eller gressoppsamlere, ikke er på plass.
- Slå på motoren i henhold til instruksjonene, og med føttene godt unna blad(er).
- Ikke vipp apparatet når du slår på motoren, bortsett fra hvis apparatet må vipres for å starte det. I slike tilfeller må du ikke vippe det mer enn absolutt nødvendig, og løfte kun den delen som vender bort fra operatøren. Pass alltid på at begge hender er i driftsstilling før maskinen senkes til bakken.
- Stå ikke foran utkastingsåpningene når maskinen startes.
- Ikke plasser hender eller føtter nær eller under roterende deler. Hold deg alltid unna utkasteråpningen ved bruk av klippere med roterende blader.
- Løft aldri opp eller bær produktet mens motoren er i gang.
- Slå av og fjern den avtagbare batteripakken (eller deaktiveringseenheten) og sørg for at alle bevegelige deler har stoppet helt før justering eller rengjøring:
 - Når du forlater maskinen;
 - Før du fjerner en blokkering og rensker rennen;
 - Før du sjekker, rengjør eller arbeider på produktet;
 - Etter du støter på et fremmedlegeme. Inspiser produktet for skader og utfør reparasjoner som nødvendig.
- Hvis apparatet begynner å vibrere unormalt (sjekk umiddelbart):

SIKKERHETSREGLER FOR TRÅDLØS GRESSKLIPPER

FARE: Denne maskinen ble bygget for å brukes i henhold til reglene for sikker drift som finnes i denne bruksanvisningen. Som med alle typer elektroutstyr, kan uforsiktighet eller feil fra operatørens side føre til alvorlig skade. Denne maskinen er i stand til å skade hender og føtter, og kaste ut gjenstander. Å ikke følge sikkerhetsinstruksene til fulle kan resultere i alvorlige skader eller død.

ADVARSEL: Når du bruker trådløse gressklippere, må du alltid følge grunnleggende sikkerhetsregler for å redusere risikoen for brann, elektrisk støt og personskaide.

NO

VIKTIG

LES NØYE FØR BRUK. BEHOLD FOR SENERE BRUK.

SIKKERHETSREGLER FOR TRÅDLØSE GRESSKLIPPERE:

FORSIKTIG – IKKE RØR ROTERENDE BLAD!

TRENING

- Les instruksene nøye. Vær fortrolig med betjeningsinstrumentene og riktig bruk av produktet.
- Du skal aldri tillate barn eller personer som ikke er kjent med disse instruksene å bruke produktet. Lokale bestemmelser kan begrense alderen på operatøren.
- Aldri klipp mens personer, spesielt barn eller kjæledyr er i nærheten.
- Operatøren er ansvarlig for skade som skjer andre folk eller annens eiendom.

FORBEREDELSE

- Du skal alltid ha på deg kraftig fotøy og lange bukser mens du klipper.
- Ikke bruk produktet når du er barbert eller bruker åpne sandaler. Unngå å bruke klær som er løstsittende eller som har hengende snorer eller bånd.
- Kontroller området der maskinen skal brukes nøye, og fjern alle steiner, pinner, tråder, bein og andre fremmedlegemer.
- Før bruk skal du alltid kontrollere visuelt at knivene, knivboltene og knivkomponenter ikke er slitte eller

- Inspiser for skader;
- Bytt eller reparere eventuelle skadede deler;
- Se etter og stram eventuelle løse deler.

VEDLIKEHOLD OG LAGRING

- Vær forsiktig når du justerer maskinen, slik at fingrene ikke blir sittende fast mellom bevegelige blader og de faste delene av produktet.
- Hold alle mutrer, bolter og skruer stramme for å sikre at produktet er i sikker brukstilstand.
- Kontroller oppsamleren med jevne mellomrom for slitasje eller forringelse.
- Skift ut slitte og ødelagte deler for sikkerhet.
- Rengjøring og vedlikehold må ikke utføres av barn uten overoppsyn av en voksen person.
- Ved service på bladene må man være klar over at selv om strømforsyningen er slått av, kan bladene fortsatt flyttes på.
- For rotasjonsplenklippere skal det sikres at nye kuttedeler er av riktig type.

PERSONLIG SIKKERHET

Det kan skje tragiske ulykker dersom brukeren ikke er på vakt når det er barn i nærheten. Barn blir ofte tiltrukket av klipperen og klippingen. De forstår ikke farene. Stol aldri på at barna holder seg i ro der du så dem sist.

- Hold barn borte fra bevegelsesområdet og under nøye overvåking av en annen ansvarlig voksen person annen enn operatøren.
 - Vær på vakt og slå av klipperen hvis det kommer barn inn i området.
 - Vær ekstremt forsiktig når du nærmer deg blinde hjørner, døråpninger, busker, trær eller andre gjenstander som kan hindre sikten og oppdagelse av barn som kan kolliderer med klipperen.
 - Barn bør være under tilsyn for å sikre at de ikke leker med klipperen.
 - Slå alltid klipperen av når du tar ut batteripakken fra verktøyet. Stopp blad(ene) hvis apparatet må vippes for transport når du krysser overflater annet enn gress, og ved transport av apparatet til og fra området som skal klippes.
- Bruk riktig produkt – ikke bruk gressklipperen til jobber som den ikke er laget for.
 - Ikke strekk deg for langt – pass på å ha skikkelig fotfeste og balanse til enhver tid.
 - Objekter som treffes av gressklipperblader kan forårsake alvorlige skader på personer. Plenen bør alltid undersøkes nøye og ryddes for alle gjenstander før hver klipping.
 - Før og under kjøring i revers skal du se bakover og ned for kontrollere at det ikke er småbarn eller andre personer i området.
 - Denne maskinen er ikke et leketøy. Derfor skal man alltid være ekstremt forsiktig. Enheten din har blitt laget for ett formål: å klippe gress. Ikke bruk til noen annen ting.
 - Ikke tving gressklipperen – den vil gjøre jobben bedre og sikrere i den hastigheten som den er konstruert for.
 - Før bruk skal du alltid kontrollere visuelt at knivene, knivboltene og knivkomponenter ikke er slitte eller ødelagte. Skift ut slitte eller skadde blader, bolter og andre komponenter samtidig som balansen beholdes. Skadede eller uleselige etiketter.
 - Vær ekstremt forsiktig når du rygger eller trekker produktet mot deg.
 - Undersøk nøye området der utstyret skal benyttes. Fjern alle steiner, pinner, tråder, leker og andre fremmedlegemer som kan snubles i eller plukkes opp og kastes ut av bladet. Gjenstander som kastes ut kan føre til alvorlig personskade. Planlegg klippemønstret for å unngå at materialet kastes mot veier, fortau, tilskuere og lignende. Unngå også utkasting av materialer mot vegger eller hindringer, som kan forårsake at utladet materiale spretter tilbake mot operatøren.
 - For å unngå bladkontakt eller skade fra gjenstander som slynges ut, skal brukeren holde seg i sonen bak håndtakene og holde barn, tilskuere, hjelpere og kjæledyr minst 30m fra klipperen mens den er i bruk. Stopp maskinen hvis noen kommer inn i området.
 - Bruk alltid vernebriller under drift og ved utføring av justering eller reparasjon, for å beskytte øynene. Gjenstander som slynges ut og spretter tilbake kan forårsake alvorlig skade på øynene. Alltid bruk ansikts- eller støvmaske hvis arbeidet er støvet.
 - Kle deg riktig – Ikke bruk løstsittende klær eller smykker. Disse kan sette seg fast i bevegelige deler. Bruk av gummihansker og fotføy anbefales når du arbeider utendørs. Bruk solide, grovsålede arbeidssko, og tettesittende bukser og skjorter. Skjorter og bukser som dekker armer og ben, og vernesko anbefales. Aldri bruk denne maskinen i bare føtter, sandaler, eller med glatte eller lette (f.eks lerret) sko.

DRIFT

VANLIG BRUK:

- Les denne bruksanvisningen nøye i sin helhet før du prøver å sette sammen denne maskinen. Les, forstå og følg alle instruksjoner på maskinen eller i manualen før bruk. Gjør deg helt kjent med kontrollene og riktig bruk av denne maskinen før du bruker den. Oppbevar denne håndboken på et trygt sted for fremtidig og regelmessig referanse, og for bestilling av reservedeler.

- Ikke plasser hender eller føtter nær eller under klippeaggregatet. Kontakt med bladet kan skade hender og føtter.
- Manglende eller skadet utløpsdeksel kan føre til bladkontakt eller skader fra gjenstander som slynges ut.
- Mange skader oppstår som et resultat av at gressklipperen trekkes over foten ved fall, på grunn av at man glir eller snubler. Ikke hold på klipperen hvis du faller; slipp håndtaket umiddelbart.
- Trekk aldri klipperen bakover mot deg mens du går. Hvis du må rygge klipperen bort fra en vegg eller hindring, ser du først ned og bakover for å unngå å snuble, og deretter gjør du følgende:
 - Ta et steg tilbake fra klipperen slik at armene dine er helt strukket ut.
 - Vær sikker på at du har god balanse og fotfeste.
 - Trekk klipperen sakte bakover, ikke mer enn halvveis mot deg.
 - Gjenta disse trinnene etter behov.
- Ikke bruk klipperen hvis du er påvirket av alkohol eller medikamenter.
- Bruk aldri apparatet med defekte vern eller skjermere, eller hvis sikkerhetsstyr, for eksempel deflektorer og/eller gressoppsamlere, ikke er på plass.
- Vær på vakt – følg med på det du gjør. Bruk sunn fornuft. Ikke bruk gressklipperen når du er trett.
- Motor-/bladspaken er en sikkerhetsanordning. Forsøk aldri å omgå denne funksjonen. Gjør du det kan sikkerhetsanordningen bli virkningsløs, og føre til personskade gjennom kontakt med det roterende bladet. Motor-/bladspaken må kunne flyttes lett i begge retninger, og automatisk tilbake til utkoplest stilling når den slippes.
- Unngå farlige miljøer – ikke bruk gressklippere på fuktige eller våte steder.
- Må ikke brukes i regn.
- Vær alltid sikker på at du har fotfeste. Å gli og falle kan føre til alvorlige personskader. Hvis du føler at du mister fotfestet, slipp motor-/bladkontrollspaken umiddelbart, slik at bladet slutter å rotere i løpet av tre sekunder.
- Stopp bladet når du krysser grusveier, stier eller veier.
- Hvis utstyret begynner å vibrere unormalt, må motoren stoppes og sjekkes umiddelbart, for å finne årsaken. Vibrasjoner er vanligvis en advarsel om at noe er galt.
 - Inspiser for skader;
 - Bytt eller reparer eventuelle brukerutskiftbare, skadede deler;
 - Se etter og stram eventuelle løse deler.
- Bruk aldri gressklipperen uten riktig skjermert montert, samt utløpsdeksel, gressoppsamler, bioklipp-innsats, sideutkast, motor-/bladspaker og andre sikkerhetsanordninger på plass og fungerende. Bruk aldri gressklipperen med skadede sikkerhetsanordninger. Unnlatelse av å gjøre dette kan resultere i personskade.
- Hvis situasjoner oppstår som ikke er dekket i denne håndboken, må du utvise forsiktighet og god dømmekraft. Kontakt EGOs kundeservice for å få hjelp.
- Skal bare brukes med batteripakkene og laderne som er oppført nedenfor:

BATTERIPAKKE	LADER
BA1120E, BA2240E, BA2800, BA3360, BA4200	CH5500E, CH2100E

 - Batteripakken må fjernes fra apparatet før det kasseres.
 - Batteriet skal avhendes på en sikker måte.

BRUK I SKRÅNINGER:

Skråninger er en viktig faktor i forbindelse med skli- og fallulykker som kan resultere i alvorlig skade. Vær alltid sikker på at du har fotfeste i bakker. Bruk i skråninger krever ekstra forsiktighet. Hvis du føler deg usikker i en skråning, skal den ikke klippes.

Gjør:

- Klipp på tvers i bakker; aldri opp og ned. Utvis ekstrem forsiktighet når du endrer retning i skråninger.
- Se etter hull, hjulspor, steiner, skjulte objekter eller støt som kan gjøre at du sklir eller snubler. Høyt gress kan skjule hindringer.

Ikke:

- Ikke klipp nær stup, grøfter eller fyllinger; du kan miste fotfestet eller balansen.
- Ikke klipp skråninger som er brattere enn 15 grader.
- Ikke slå vått gress. Ustabil fotfeste kan føre til at man glir.

SERVICE

⚠ ADVARSEL: Gressoppsamlerens deler, utløpsdekslet, sideutkast, bioklipp-innsats og etterfølgende skjold er utsatt for slitasje og skader, noe som kan avdekke bevegelige deler eller la gjenstander kastes ut, og kan øke risikoen for skader. For sikkerhets skyld skal komponentene sjekkes ofte, og ødelagte komponenter byttes umiddelbart med identiske reservedeler, som er oppført i denne

bruksanvisningen. Kontakt EGOs kundeservice eller ditt nærmeste EGO-servicesenter. Reparasjoner eller utskiftninger skal utføres av en kvalifisert servicetekniker!

- Hvis klipperens innebygde overbelastningsvern ofte utløses, tar du kontakt EGOs kundeservice eller ditt nærmeste EGO-servicesenter.
- Ikke vask klipperen med hageslange; unngå å få vann i motoren og i elektriske kontakter.
- Ta ut nøkkelen og oppbevar den deaktiverte gressklipperen innendørs når den ikke er i bruk. La motoren avkjøles før du lagrer den i et skap. Gressklipperen skal oppbevares i et tørt, høyt eller låst skap, og utilgjengelig for barn.
- Ved service skal det kun brukes identiske reservedeler som nevnt i denne bruksanvisningen. Bruk av deler som ikke oppfyller de opprinnelige utstyrsspesifikasjonene kan føre til feil i ytelsen og dårligere sikkerhet.
- Fjern eller koble fra batteripakken før det utføres service, renhold, eller materiale fjernes fra gressklipperen.
- Følg instruksjonene for bytte av tilbehør.
- Hold håndtakene tørre, rene og frie for olje og fett.
- For å redusere brannfaren skal motordekslet holdes fritt for gress, løv og rusk-oppygging.
- Sjekk bladet og motorfesteboltene ofte, for å se at de er riktig strammet. Bladet skal også visuelt inspiseres for skade (for eksempel bøyning, sprekker og slitasje). Bladet skal bare byttes med et identisk, som oppført i denne bruksanvisningen.
- Vær nøye med vedlikeholdet av klipperen – hold klipperblader skarpe og rene for å sikre best mulig og trygg ytelse. Gressklipperens kniver er skarpe og kan kutte. Pakk inn bladet eller bruk hansker og utvis ekstra forsiktighet når du utfører service på det.
- Sikkerhetsutstyr skal aldri fjernes eller tukles med. Sjekk jevnlig at de fungerer riktig. Aldri gjøre noe for å forstyrre den tiltenkte funksjonen til en sikkerhetsanordning, eller for å redusere beskyttelsen som en sikkerhetsanordning gir.
- Stopp alltid motoren før du foretar justeringer på hjul eller høydejustering av kuttingen.
- Etter å ha truffet på et fremmedlegeme, skal motoren stoppes, nøkkelen tas ut, og klipperen grundig inspiseres for eventuelle skader. Reparer skaden før du bruker gressklipperen.
- Vedlikehold eller erstatt sikkerhets- og instruksjonsskilt, når det blir nødvendig. Kontakt EGOs kundeservice eller ditt nærmeste EGO-servicesenter. Reparasjoner eller utskiftninger skal utføres av en kvalifisert servicetekniker!

- **TA VARE PÅ DISSE INSTRUKSJONENE.** Referer til dem ofte, og bruk dem til å instruere andre som kan komme til å bruke verktøyet. Hvis du låner ut verktøyet til noen andre, må de også få låne disse instruksjonene, for å hindre feilbruk av produktet og mulige skader.

BRUK AV OG OMSORG FOR BATTERI

- For å bevare naturressurser, skal batterier resirkuleres eller kastes på riktig måte. Dette produktet inneholder lithium-ion-batterier. Lokale eller nasjonale lover forbyr deponering av lithium-ion batterier i vanlig søppel. Ta kontakt med det lokale renholdsverket ditt for å få informasjon om tilgjengelige resirkulerings- og/eller deponeringsløsninger.
- Ved fjerning av batteripakken for avhending eller resirkulering, dekkes batteripakkens terminaler med tykk tape. Ikke forsøk å ødelegge eller demontere batteripakken, eller fjern noen av komponentene. Lithium-ion batterier må resirkuleres eller avhendes på riktig måte. Terminaler må aldri berøres med metallgjenstander og/eller kroppsdeler, da det kan føre til kortslutning. Holdes vekk fra barn. Hvis du ikke følger disse advarene, kan det føre til brann og/eller alvorlig personskade.
- **UNDER SKADELIGE FORHOLD, KAN VÆSKE KASTES UT FRA BATTERIET. UNNGÅ KONTAKT. HVIS KONTAKT OPPSTÅR VED UHELL, SKYLL MED VANN. HVIS MAN FÅR VÆSKE I ØYNENE, SKAL DET I TILLEGG SØKES MEDISINSK HJELP.** Væske som blir kastet ut av batteriet kan forårsake iritasjon eller brannår.

NO

SPESIFIKASJONER

Modellnummer	LM2120E	LM2120E-SP
Selvgangssystem	Nei	Ja
Spennning	56 V	56 V
Hastighet uten last	2800 /min	2800 /min
Klippehøyde	28-94 mm	28-94 mm
Klippehøyde-innstillinger	6	6
Dekkstørrelse	53 cm	53 cm
Klippebredde	52 cm	52 cm
Gressposevolum	70 L	70 L
Klipperens vekt (uten batteripakke)	22,10 kg	24,55 kg
Bladmodell	AB2101	AB2101
Mått lydeffektivnivå L_{WA} K=2 dB(A)	89,9 dB(A)	89,5 dB(A)
Lydtryknivå ved brukerens øre L_{PA} K=3 dB(A)	87 dB(A)	87 dB(A)

Garantert lydeffektivnivå L_{WA} (i henhold til 2000/14/EC)		92 dB(A)	92 dB(A)
Vibrasjon a_{hv} $K=1,5 \text{ m/s}^2$	Venstre håndtak	$\leq 2,5 \text{ m/s}^2$	$\leq 2,5 \text{ m/s}^2$
	Høyre håndtak	$\leq 2,5 \text{ m/s}^2$	$\leq 2,5 \text{ m/s}^2$
Bladbremser		Ja	Ja

- Den deklarerte totale vibrasjonsverdien er målt i overensstemmelse med en standard testmetode, og kan brukes til å sammenligne ett verktøy med et annet;
- Den deklarerte totale vibrasjonsverdien kan også brukes i en foreløpig vurdering av eksponering.

MERK: Vibrasjoner under faktisk bruk av elektroverktøyet kan variere fra den opplyste verdien der verktøyet brukes; For å beskytte brukeren, skal det brukes hansker og hørselsvern under de faktiske bruksforholdene.

PAKKELISTE

NAVN PÅ DEL	MENGDE
Gressklipper	1
Gressoppsamler	1
Gressoppsamler-ramme	1
Bioklipp-innsats	1
Sikkerhetsnøkkel	2
Bruksanvisning	1

BESKRIVELSE

KJENN KLIPPEREN DIN (Fig. A og B og C)

- Sikkerhetsknapp
- Selvgående utløser
- Håndtakslåsende klemme
- Bakutkastsdør
- Bakhåndtak
- Batteripakkedeksel
- LED-kjørellys
- Fronthåndtak
- Forhjul
- Justeringsspak for klippehøyde
- Klippeenhet
- Bakhjul
- Gressoppsamler
- Hurtigjusteringsspak
- Sidespor
- Spak for selvgående hastighet-kontroll

- Dødmannsknapp (bryterspak)
- Håndtak
- Bioklipp-innsats
- Støtte for stående oppbevaring
- Etterslepene skjerm
- Bryterknapp for LED-kjørellys
- Strømindikator

DRIFT

MONTERING AV GRESSOPPSAMLER

- Skyv gressoppsamleren på rammen (Fig. D).
- Monter de øvre klipsene på rammen (Fig. E), og deretter settes de to sideklipsene sammen. Monter den nederste klipsen sist.
- Den fullstendig monterte gressoppsamleren vises i Fig. F.

MERK: Under normal bruk, blir pose materialet utsatt for slitasje. For å redusere risikoen for skader, skal oppsamleren inspiseres ofte for å se om det finnes tegn på slitasje eller skade. Bruk bare gressoppsamleren som er produsert for denne klipperen.

JUSTERING AV DET SAMMENLEGGBARE HÅNDTAKET

⚠ ADVARSEL: Ikke prøv å starte klipperen før håndtaket er låst i en av de tre forhåndsinnstilte driftsposisjonene (ØVRE DRIFTSPOSISJON, MIDTRE DRIFTSPOSISJON og NEDRE DRIFTSPOSISJON).

Gressklipperen leveres med håndtak i den kompakte, LÅSTE LAGRINGSSTILLINGEN (Fig. G).

- Trykk og hold hurtigjusteringshåndtaket for å frigjøre håndtaket fra LÅST LAGRING-POSISJON (Fig. H-1).
- Løft håndtaket fra brettet posisjon, og slipp spaken. Sving håndtaket forsiktig oppover til du hører og føler at låsestiften tar tak i en av de ulike posisjonene som vist i Fig. H.
 - POSISJON FOR FESTING/FJERNING AV GRESSOPPSAMLER (Fig. H -2).
 - ØVRE DRIFTSPOSISJON (Fig. H -3).
 - MIDTRE DRIFTSPOSISJON (Fig. H-4)
 - NEDRE DRIFTSPOSISJON (Fig. H-5).
 - FESTE/FJERNE GRESSOPPSAMLER/BIOKLIPP-INNSATS

⚠ ADVARSEL: Det skal aldri noen gang foretas justeringer på gressklipperen uten at motoren først stoppes, sikkerhetsnøkkelen fjernes, og vente til bladet slutter å rotere.

MERK: Fest et av tilbehørene på gressklipperen før klippingen startes.

■ **Feste/fjerne gressoppsamler (Fig. I)**

MERK: Fjern den forhåndsinstallerte bioklipp-innsatsen fra klipperen før du fester gressoppsamleren til klipperen.

■ **Feste/fjerne bioklipp-innsatsen (Fig. J)**

JUSTERING AV KLIPPEHØYDE (Fig. K)

⚠ ADVARSEL: Hold føttene borte fra aggregatet når du justerer høyden. Klipperen kan stilles inn til 5 klippehøyder mellom 28 mm og 94 mm. Velg riktig klippehøyde i henhold til typen gress og forholdene i gresset.

MERK: Ved flytting av verktøyet, må klippehøyden justeres til posisjon 3 eller høyere. Unnlattelse av å gjøre det, kan føre til skade på bladet.

FESTE/FJERNE BATTERIPAKKEN (FIG. L)

LAD OPP FØR FØRSTE GANGS BRUK.

⚠ ADVARSEL: Hvis deler er ødelagte eller mangler, må du ikke forsøke å feste batteripakken på klipperen eller betjene klipperen før de ødelagte eller manglende delene blir byttet. Hvis du ikke gjør det, kan det føre til alvorlig skade.

■ **Festing**

Skyv batteripakken inn i batterirommet til du hører et «klikk».

■ **Løsning**

Trykk inn batteriutløserknappen i batterirommet.

Fig. L delebeskrivelse, se nedenfor:

L-1	Sikkerhetsnøkkelspor
L-2	Sikkerhetsnøkkel
L-3	Batteriutløsningsknapp

MERK: Sørg for at låsen på klipperen klikker på plass og at batteripakken er festet til klipperen før du begynner.

START/STOPP AV KLIPPEREN

⚠ ADVARSEL: Driften av enhver gressklipper kan resultere i at fremmedlegemer blir kastet mot dine eller andres øyne, noe som kan skade øynene alvorlig. Bruk alltid vernebriller når du bruker gressklipperen, eller mens du utfører justeringer eller reparasjoner på den.

⚠ ADVARSEL: Ikke bruk gressklipperen i regnet.

⚠ ADVARSEL: Sørg for at andre mennesker og kjæledyr er minst 30m unna klipperen når den er i bruk.

⚠ ADVARSEL: Bladet vil fortsette å rotere i noen sekunder etter at klipperen slås av. La motoren/bladet slutte å rotere før du starter klipperen på nytt. Ikke slå klipperen raskt av og på.

MERK: Motoren kan ikke startes, med mindre:

- Håndtaket er låst i en av driftsposisjonene.
- Sideskinnene er trukket helt ut (Fig. M).
- Begge de grønne håndtakslåseklemmene er lukket nøye (Fig. N).

⚠ FORSIKTIG: Ikke forsøk å overstyre driften av sikkerhetsknappen og dødmannsknapp.

Start (Fig. P)

- 1) Fest batteripakken til klipperen, sett inn sikkerhetsnøkkelen i nøkkelsporet og lukk batteridekselet (Fig. L).
- 2) Se Fig. O, og trykk ned sikkerhetsknappen.
- 3) Med sikkerhetsknappen nede, trekkes dødmannsknappen oppover for å møte håndtaket, og sikkerhetsknappen slippes.

Stoppe (Fig. Q)

- 1) Slipp dødmannsknappen.
- 2) Den elektriske bremsen i den automatiske bremsmekanismen vil stoppe bladrotasjonen innen 3 sekunder etter at dødmannsknappen slippes.

VARIABEL HASTIGHETS SELVGANGSSYSTEM

LM2120E-SP Klipperen er utstyrt med et variabel hastighets selvgangssystem. Dette systemet er uavhengig av bladets på-/av-bryter; det er ikke avhengig av at bladene roterer.

For å betjene systemet uten bladrotasjon, trekkes selvgangsutløseren mot håndtaket.

For å slå selvgangssystemet av, slippes selvgangsutløseren.

Systemet har variabel hastighet. For å øke hastigheten, flyttes spaken for hastighetskontroll fremover. For å senke hastigheten, flyttes spaken for hastighetskontroll bakover (Fig. R).

Bruk med bladet roterende for kutting:

1. Start klipperen.
2. Mens du holder dødmannsknappen mot håndtaket med venstre hånd, trekkes selvgangsutløseren mot håndtaket med høyre hånd.

NO

3. Hold både dødmannsknappen og selvgangsutløseren mot håndtaket samtidig med høyre hånd, og bruk venstre hånd til å justere hastighetskontrollspaken til ønsket hastighet.

MERK: Mens man klipper kan det til være lettere å bevege seg rundt et objekt så som trær eller planter, med selvgangssystemet slått av.

⚠ ADVARSEL: For å redusere risikoen for skader, skal man aldri forsøke å overstyre driften av bryteren eller selvgangssystemet. Selvkjøringen skal bare brukes for det tiltenkte formålet.

LED-ARBEIDSLYS PÅ KLIPPEREN (Fig. A-7)

Trykk på bryterknappen (Fig. C-22) for å slå av/på LED-arbeidsliset foran batterirommet.

STRØMINDIKATOR PÅ KLIPPEREN (Fig. S)

Klipperen er utstyrt med en strømindikator som indikerer ladestatus for batteripakken og arbeidsstatusen til klipperen. Strømindikatoren lyser når bladet roterer, eller når LED-arbeidsliset er slått på.

Strømindikator på klipperen	Betydning	Handling
Lyser grønt	Klipperen fungerer som den skal; batteriet har minst 15% lademengde	N/A
Lyser rødt	Lavt batterinivå	Stopp klipperen og lad batteriet
Blinker rødt	Batteriet er nesten tomt	Stopp klipperen og lad batteriet
Lyser oransje	Klipperen eller batteripakken er overopphetet	Ta ut batteriet fra klipperen, flytt det til skyggen og la avkjøles i minst 15 minutter
Blinkende oransje	Klipperen er overbelastet	Klipp saktere, eller hev kuttehyden for å redusere belastningen

OVERBELASTNINGSVERN PÅ KLIPPER

For å unngå overbelastning, skal man ikke prøve å flytte for mye gress på en gang. Senk klippetempoet eller hev klippehøyden.

Gressklipperen har innebygget overbelastningsvern. Når klipperen er overbelastet, vil motoren stoppe og strømindikatoren på klipperen vil blinke oransje. Fjern batteripakken fra klipperen. Se etter om gresset har samlet seg opp under dekket, og fjern det om nødvendig. Deretter installeres batteripakken og klipperen startes.

HØY-TEMPERATUR BESKYTTELSE AV BATTERIET

Batteripakken vil generere varme under bruk. Varmen forsvinner saktere i varmt vær. Hvis batteritemperaturen overstiger 70 °C under drift, vil vernekretnen umiddelbart slå klipperen av for å beskytte batteriet mot skade. Strømindikatoren på klipperen vil lyse oransje. Slipp dødmannsknappen, vent helt til batteriet kjøles ned til ca 67 °C, og start deretter klipperen igjen.

VEDLIKEHOLD

⚠ ADVARSEL: For å unngå alvorlige personskader, skal sikkerhetsnøkkelen og batteripakken alltid tas ut av klipperen før rengjøring, vedlikehold eller transport av klipperen.

⚠ ADVARSEL: Ved service skal det bare brukes originale reservedeler. Bruk av andre deler kan forårsake farer eller skader på produktet. For sikre både sikkerheten og påliteligheten, skal alle reparasjoner utføres av en kvalifisert servicetekniker.

RENGJØRING AV KLIPPEREN

Undersiden av klippeaggregatet skal rengjøres etter hver bruk, der gressrester, blader, skitt og annet rusk samler seg.

Fjern eventuell opphopning av gress og blader på eller rundt drivakselen (kun LM2120E-SP) og motorviften (ikke bruk vann). Tørk klipperen ren med en fuktig klut.

FJERNING/INSTALLERING AV BLADET

⚠ ADVARSEL: Beskytt alltid hendene med tunge hansker eller ved å pakke inn klippekanter med filler eller andre materialer når det utføres vedlikehold på klipperbladet. Ta alltid ut batteripakken ved service på eller transport av klipperen.

■ Fjerning av bladet

Følg Fig. T.

MERK: Hvis boltene roterer sammen med motorakselen når du løsner boltene, vrir du viften for hånd for å justere inn hullene i viften med hullene i bladet, og setter en metallstang inn gjennom hullene (Fig. U).

■ Installering av blad

Etter monteringssekvensen i Fig. V, innrettes hullene i viften med hullene i bladet med vifteblad mot dekket og det trykte bladet siden mot utsiden (Fig. W). Trekk deretter til bladet som vist i Fig. X.

Fig. U og V delebeskrivelse, se nedenfor:

U-1	Stabilisator 1	V-2	Indre flens
U-2	Stabilisator 2	V-3	Blad

U-3	14 mm fastnøkkel	V-4	Ytre flens
V-1	Vifte	V-5	Bolt

MERK: Anbefalt dreiemoment for stramming av knivbolten er 49 til 59Nm.

LAGRING AV KLIPPEREN

- Fjern batteripakken fra klipperen og oppbevar den på et kjølig, tørt og rent sted. Ikke oppbevar den ved siden av etsende stoffer, så som gjødsel eller steinsalt.
- Oppbevar klipperen tildekket i et lukket rom, kjølig, tørt og utilgjengelig for barn.
- Ikke dekk til gressklipperen med solidide plastplater. Plastdeksler fanger fuktigheten rundt klipperen, noe som fører til rust og korrosjon.
- Klipperen kan lagres stående eller flatt (Fig. Z).

ADVARSEL: Hvis klipperen begynner å velte fra oppreist stilling, kan klipperen få skader eller det kan føre til personskader. Hold alltid klipperen stabil og utilgjengelig for barn når den er i oppreist stilling. Hvis mulig, legg den flatt ved lagring.

Beskytt miljøet



Elektrisk utstyr, batterilader og batterier/oppladbare batterier skal ikke kastes i husholdningsavfall.

Ifølge EU-forskrift 2012/19/EU, skal elektrisk og elektronisk utstyr som ikke lenger er brukbart, og som i henhold til EU-forskrift 2006/66/EC har defekte eller brukte batteripakker/batterier, samles inn separat.

Hvis elektrisk apparater kastes på søppelfyllinger, kan farlige stoffer lekke ut i grunnvannet og komme inn i næringskjeden, og forårsake skader på helse og velvære.

EU-SAMSVARERKLÆRING

Vi, EGO EUROPE GMBH

Wahlwiesenstrasse 1, D-71711 Steinheim an der Murr
Deutschland

Erklærer at produktet **56V lithium-ion batteridrevet gressklipper LM2120E/LM2120E-SP** er i samsvar med de grunnleggende helse- og sikkerhetskravene i følgende direktiver:

2006/42/EF, 2014/30/EU, 2011/65/EU, 2000/14/EF

Standarder og tekniske spesifikasjoner som det refereres til:

EN 60335-1, EN 60335-2-77, EN 62233, EN 55014-1, EN 55014-2

	LM2120E	LM2120E-SP
Mått lydeffektnivå:	89,9 dB(A)	89,5 dB(A)
Garantert lydeffektnivå:	92 dB(A)	92 dB(A)

Samsvarsvurderingsprosedyren i vedlegg VI er fulgt i henhold til 2000/14/EC.

Teknisk kontrollorgan: Société Nationale de Certification et d'Homologation

Teknisk kontrollorgannummer: 0499

Peter Melrose
Administrerende direktør
for EGO Europe GmbH

Dong Jianxun
Kvalitetsdirektør hos Chevron

** (Autorisert representant for CHERVON og ansvarlig for teknisk dokumentasjon)

01/09/2016

NO

FEILSØKING

⚠ ADVARSEL: Ta alltid ut sikkerhetsnøkkelen og batteripakken ved service eller transport av klipperen. Beskytt alltid hendene med tunge hansker eller ved å pakke inn klippekanten med filler eller andre materialer når det utføres vedlikehold på klipperblader.

PROBLEM	ÅRSAK	LØSNING
Klipperen starter ikke	<ul style="list-style-type: none"> ■ Batteripakken er tom. ■ Batteripakken er ikke montert på plass i batterirommet. ■ Batteriet eller klipperens kretser er for varme. (Strømindikatoren på klipperen vil lyse i oransje i 10 sekunder) ■ Sideskinnene er ikke trukket ut til maksimal lengde, og klemmene er ikke i låst posisjon. ■ Håndtaket er ikke innstilt til en av de to driftsstillingene. ■ Klippeaggregatet er tilstoppet med gress og rusk. 	<ul style="list-style-type: none"> ■ Lad opp batteripakken. ■ Fest batteripakken i klipperen, og trykk den ned til du hører et klikk. ■ La batteripakken eller klipperen kjøle seg ned til temperaturen synker under 67 °C. ■ Strekk håndtaket helt ut, og lås begge klemmene. ■ Juster håndtaket til én av de to driftsposisjonene. ■ Rengjør klipperaggregatet og sørg for at bladet har bevegelsesfrihet.
Klipperen klipper ujevnt	<ul style="list-style-type: none"> ■ Bladet er sløvt. ■ Klippehøyden er ikke riktig innstilt. ■ Bladet er satt sammen feil. 	<ul style="list-style-type: none"> ■ Skjerp eller bytt bladet. ■ Hev dekket til en høyere klippehøyde. ■ Monter bladet igjen – se avsnittet «INSTALLASJON AV BLADET» i denne bruksanvisningen.
Klipperen stopper under klipping	<ul style="list-style-type: none"> ■ Batteripakken er tom. ■ Klipperen er i overbelastningstilstand. ■ Klippeaggregatet er tilstoppet med gress og rusk. ■ Batteriet eller klipperens kretser er for varme. (Strømindikatoren på klipperen vil lyse i oransje i 10 sekunder.) ■ Sideskinnen trekkes inn litt av skyvekraften på håndtaket. 	<ul style="list-style-type: none"> ■ Lad opp batteripakken. ■ Hev klippehøyden eller klipp saktere. ■ Fjern blokkeringer i klippeaggregatet. Hev klippehøyden, eller klipp et smalt område. ■ La batteripakken eller klipperen kjøle seg ned til temperaturen synker under 67 °C. ■ Lås opp klemmene. Strekk skinnene helt ut, og lås klemmene igjen.

PROBLEM	ÅRSAK	LØSNING
Klipperen bioklipper ikke riktig	<ul style="list-style-type: none"> ■ Våte gressrester sitter fast på undersiden av aggregatet. ■ Klipperen er satt til å klippe for mye gress på en gang. 	<ul style="list-style-type: none"> ■ Vent til gresset tørker før du klipper det. ■ Hev dekket til en høyere klippehøyde.
Det er overdrevne vibrasjoner	<ul style="list-style-type: none"> ■ Kuttebladet er løst. ■ Kappeskiven er ubalansert. ■ Kutterbladet er bøyd. ■ Motorakselen er bøyd. 	<ul style="list-style-type: none"> ■ Stram bladbolten. ■ Balanser bladet i følge instruksjonene. ■ Bytt knivbladet ut. ■ Kontakt servicesenteret.
Håndtakets låselemmer kan ikke lukkes i posisjon.	<ul style="list-style-type: none"> ■ Sideskinnene ikke er trukket helt ut. 	<ul style="list-style-type: none"> ■ Strekk sideskinnene helt ut, og lås klemmene.

GARANTI

EGO GARANTIREGLER

Besøk nettsiden egopowerplus.com for å se fullstendige vilkår og betingelser for EGO-garantireglene.

Kees van der Spek
TUINMACHINES * STOLWIJK

NO

ПРОЧИТАЙТЕ ВСЕ ИНСТРУКЦИИ!



ВНИМАТЕЛЬНО ПРОЧИТАЙТЕ РУКОВОДСТВО ПОЛЬЗОВАТЕЛЯ

⚠ Остаточный риск! Людям с имплантированными электронными устройствами (например кардиостимуляторами) необходимо проконсультироваться с лечащим врачом, прежде чем использовать данное устройство. Использование электрооборудования в непосредственной близости от кардиостимулятора может стать причиной перебоев в работе или отказа кардиостимулятора.

⚠ ВНИМАНИЕ! Для обеспечения безопасности и надежной эксплуатации устройства все ремонтные работы должны выполняться силами квалифицированных специалистов.

Назначение и возможное неправильное использование: Устройство предназначено для скашивания травы только на участках частных домовладений. Оно не предназначено для скашивания слишком высокой, сухой или мокрой травы (например на пастбищах) и для измельчения листьев. Используйте устройство строго по назначению. Использование в любых других целях считается недопустимым.

ПРЕДУПРЕЖДАЮЩИЕ СИМВОЛЫ

Данные символы предназначены для привлечения вашего внимания к факторам риска. Рекомендуется ознакомиться и разобраться со всеми предупреждающими символами и пояснениями к ним. Предупреждающие символы не нейтрализуют факторы риска. Указания и предупреждения не могут заменить надлежащие меры предосторожности.

⚠ ВНИМАНИЕ! Прежде чем использовать устройство, прочитайте и разберитесь со всеми правилами техники безопасности, приведенным в данном руководстве пользователя, включая все предупреждающие символы, такие как «ОПАСНО», «ВНИМАНИЕ» и «ОСТОРОЖНО». Несоблюдение указаний, данных ниже, может привести к поражению электрическим током, возгоранию и/или серьезным травмам.

ЗНАЧЕНИЕ СИМВОЛОВ






СИМВОЛ ВОСКЛИЦАТЕЛЬНОГО ЗНАКА В ТРЕУГОЛЬНИКЕ: означает **ОПАСНО, ВНИМАНИЕ** или **ОСТОРОЖНО**. Может использоваться вместе с другими символами или пиктограммами.

⚠ ВНИМАНИЕ! Использование любых механических инструментов может привести к попаданию посторонних предметов в глаза, что может стать причиной серьезных травм. При работе с таким инструментом всегда надевайте защитные очки, очки с боковыми щитками или лицевые щитки. Поверх защитных очков рекомендуется надевать защитную маску Wide Vision или использовать стандартные защитные очки с боковыми щитками.

МЕРЫ ПРЕДОСТОРОЖНОСТИ

На данной странице описаны предупреждающие символы, которые могут присутствовать на изделии. Прочитайте и разберитесь со всеми инструкциями на устройстве и соблюдайте их при сборке и эксплуатации инструмента.

	Предупреждение	Правила техники безопасности.
	Используйте средства защиты глаз	При использовании устройства всегда надевайте защитные очки, защитные очки с боковыми щитками или лицевые щитки.
	руководство пользователя	Для снижения вероятности получения травм прежде чем работать с устройством, необходимо ознакомиться с руководством пользователя.

	Осторожно — острые ножи.	Ножи продолжают вращаться в течение некоторого времени после выключения двигателя. Перед проведением техобслуживания извлеките ключ. Перед настройкой или очисткой устройства отключите и снимите аккумуляторную батарею (или ключ).
	Не подпускайте к себе посторонних.	Следите за тем, чтобы люди и животные не приближались к работающей газонокосилке на расстояние менее 30 метров.
	Изделие класса II	Двойная изоляция.
IPX4	Класс IP	Защита от воды 4 класса
V	Вольты	Напряжение
A	Амперы	Сила тока
Hz	Герцы	Частота (циклов в секунду)
W	Ватты	Мощность
min	Минуты	Время
	Переменный ток	Тип тока
	Постоянный ток	Тип или характеристики тока
n_0	Холостой ход	Скорость вращения без нагрузки
... /min	В минуту	Оборотов в минуту

МЕРЫ ПРЕДОСТОРОЖНОСТИ ПРИ РАБОТЕ С БЕСПРОВОДНОЙ ГАЗОКОСИЛКОЙ

⚠ ОПАСНОСТЬ! При использовании данного устройства необходимо соблюдать меры предосторожности, указанные в настоящем руководстве. При работе с беспроводным

оборудованием, как и с любым другим, ошибка оператора может стать причиной получения травм. Данное устройство может травмировать руки или ноги, а также выбрасывать предметы. Несоблюдение требований техники безопасности может привести к получению травм и смерти.

⚠ ВНИМАНИЕ! При использовании беспроводной газонокосилки необходимо соблюдать основные меры предосторожности для уменьшения вероятности возникновения пожара, поражения электрическим током и получения травм.

ВАЖНО!

ПЕРЕД ИСПОЛЬЗОВАНИЕМ ВНИМАТЕЛЬНО ПРОЧИТАЙТЕ ИНСТРУКЦИЮ. СОХРАНИТЕ РУКОВОДСТВО ДЛЯ СПРАВКИ.

МЕРЫ ПРЕДОСТОРОЖНОСТИ ПРИ РАБОТЕ С БЕСПРОВОДНОЙ ГАЗОКОСИЛКОЙ:

ОСТОРОЖНО — НЕ ТРОГАТЬ ВРАЩАЮЩИЙСЯ НОЖ!

ОБУЧЕНИЕ

- Внимательно прочитайте все инструкции. Ознакомьтесь с органами управления и назначением устройства.
- Не позволяйте детям и лицам, не прочитавшим настоящее руководство, использовать газонокосилку. Местное законодательство может ограничивать возраст оператора.
- Не используйте устройство, если рядом находятся люди, особенно дети, или животные.
- Оператор несет ответственность за несчастные случаи и опасность, которой устройство подвергает других людей или их собственность.

ПОДГОТОВКА

- Для работы с газонокосилкой надевайте прочную обувь и длинные брюки.
- Не работайте босиком или в открытых сандалиях. Избегайте свободной одежды и одежды с завязками или ремешками.
- Внимательно осмотрите рабочее пространство и уберите из него камни, палки, проволоку, кости и другие посторонние предметы.
- Перед использованием осмотрите нож, болты крепления и весь режущий узел на предмет повреждений. Для сохранения балансировки устройства заменяйте сразу все изношенные или поврежденные ножи и болты. Замените поврежденную или испорченную маркировку.

ЭКСПЛУАТАЦИЯ

- Работайте только в светлое время суток или при хорошем искусственном освещении.
- По возможности избегайте использовать устройство на мокрой траве.
- Будьте особенно внимательны при работе на склонах.
- Передвигайтесь шагом, не бегайте.
- При использовании ротационных газонокосилок на колесиках перемещайтесь поперек склона — никогда не косите траву сверху вниз и снизу вверх.
- Будьте особенно осторожны при смене направления на склоне.
- Не работайте на слишком крутых склонах.
- Будьте крайне внимательны при движении назад или когда вы тянете устройство на себя.
- Остановите нож(и), если устройство необходимо наклонить для транспортировки не по траве, а также при доставке устройства к месту работы и с него.
- Не используйте устройства с поврежденными щитками и кожухами или без средств защиты, например без отражателей и/или мешков для сбора травы.
- Включите двигатель в соответствии с инструкцией. Не подставляйте ноги под нож(и).
- Не наклоняйте устройство при включении двигателя, если процедура запуска этого не требует. В противном случае приподнимайте устройство в сторону от себя и не выше, чем требуется. Прежде чем опустить устройство на землю, убедитесь, что обе руки находятся в рабочем положении.
- Не запускайте устройство, если вы стоите перед разгрузочным отверстием.
- Не подставляйте руки или ноги под вращающиеся детали и не держите их рядом. Всегда держитесь на достаточном расстоянии от разгрузочных отверстий ротационных газонокосилок.
- Не поднимайте и не переносите устройство при работающем двигателе.
- Отключите и снимите аккумуляторную батарею (или предохранительный ключ) и убедитесь, что все движущиеся детали полностью остановились, прежде чем проводить регулировку или очистку, а также:
 - Когда оставляете устройство без присмотра;
 - Если необходимо прочистить забитый желоб;
 - Перед проверкой, очисткой или ремонтом устройства;

- После наезда на посторонний предмет. Осмотрите устройство на наличие повреждений и при необходимости отремонтируйте его.
- Если устройство начинает сильно вибрировать, немедленно выполните следующее:
 - Осмотрите устройство на предмет повреждений;
 - Замените или отремонтируйте поврежденные детали;
 - Проверьте и затяните ослабшие крепления.

ОБСЛУЖИВАНИЕ И ХРАНЕНИЕ

- При регулировке устройства соблюдайте осторожность. Следите, чтобы пальцы не застряли между движущимися и неподвижными деталями газонокосилки.
- Следите за затяжкой всех гаек, болтов и винтов — это обеспечит безопасную работу устройства.
- Регулярно проверяйте мешок для сбора травы на предмет износа.
- Заменяйте изношенные и поврежденные детали.
- Не позволяйте детям выполнять очистку и техническое обслуживание устройства без наблюдения взрослых.
- При работе с ножами будьте внимательны: они могут двигаться даже при отключенном питании.
- На ротационных газонокосилках используйте только режущие насадки соответствующего типа.

БЕЗОПАСНОСТЬ

Недостаточная осторожность в присутствии детей может привести к плачевным последствиям. Детей часто привлекают газонокосилки. Они не понимают, насколько это может быть опасно. Помните, дети никогда не сидят на месте, и они могут очень быстро оказаться там, где вы не будете этого ожидать.

- Не подпускайте детей к работающей газонокосилке. За ними должны присматривать другие взрослые.
- Будьте готовы выключить газонокосилку, если в рабочей зоне окажется ребенок.
- Будьте крайне осторожны при работе в местах с ограниченным обзором: в проходах, возле деревьев, кустов и других объектов, которые могут помешать увидеть ребенка, бегущего к газонокосилке.
- Следите за тем, чтобы дети не играли с газонокосилкой.
- Всегда выключайте устройство, когда снимаете с него аккумуляторную батарею. Остановите нож(и), если устройство необходимо наклонить для транспортировки не по траве, а также при доставке устройства к месту работы и с него.

ЭКСПЛУАТАЦИЯ ОБЩИЕ УКАЗАНИЯ:

- Перед сборкой устройства внимательно прочитайте настоящее руководство пользователя. Перед работой прочитайте и разберитесь со всеми инструкциями на устройстве и в руководстве пользователя. Перед использованием газонокосилки разберитесь с функциями и назначением органов управления. Сохраните настоящее руководство для справки и заказа запчастей.
- Используйте подходящее для ваших задач оборудование — газонокосилки нужно использовать строго по назначению.
- Не тянитесь — следите за равновесием и смотрите, куда наступаем.
- Предметы, попадающие по нож газонокосилки, могут стать причиной серьезных травм. Перед работой внимательно осмотрите газон и уберите с него все посторонние предметы.
- Прежде чем двигаться назад, оглянитесь и посмотрите себе под ноги — сзади вас могут оказаться дети или другие люди.
- Данный инструмент — не игрушка. Всегда соблюдайте осторожность. Устройство предназначено только для одной цели — скашивания травы. Не используйте его в других целях.
- Не перегружайте газонокосилку — она справится с работой лучше и безопаснее при соблюдении режимов нагрузки.
- Перед использованием осмотрите нож, болты крепления и весь режущий узел на предмет повреждений. Изношенные и поврежденные ножи, болты и любые другие детали заменяйте комплектом — это позволит сохранить балансировку устройства. Замените поврежденную или испорченную маркировку.
- Будьте крайне внимательны при движении назад или когда вы тянете устройство на себя.
- Тщательно осмотрите рабочую зону. Уберите все камни, палки, игрушки и другие посторонние предметы, о которые можно зацепиться или которые устройство может выбросить. Выброшенные предметы могут стать причиной серьезных травм. Спланируйте работу таким образом, чтобы косилка не выбрасывала отходы на дорожки, тротуары, прохожих и т. д. Следите за тем, чтобы выбрасываемые отходы не попадали на стены и другие препятствия, так как выброшенные предметы могут отскочить и попасть в вас.
- Во избежание контакта с ножом и выброшенными предметами стойте строго на месте оператора за рукоятками и не подпускайте детей, помощников и животных к работающей газонокосилке ближе, чем на 30 м. Если кто-либо подойдет ближе, остановите устройство.
- Во время работы и при проведении регулировки или ремонта устройства надевайте защитные очки. Выброшенные предметы могут отскочить и травмировать глаза. При работе в пыльной среде обязательно надевайте маску или респиратор.
- Правильно выбирайте одежду: не надевайте свободную одежду и украшения. Они могут попасть во вращающиеся детали устройства. При работе на улице рекомендуется надевать резиновые перчатки и обувь. Надевайте прочные ботинки на жесткой подошве, облегающие брюки и рубашки. Рубашки и брюки должны полностью закрывать руки и ноги. Кроме того, рекомендуется носить ботинки со стальным носком. Не работайте босиком, в сандалиях, в скользкой или легкой обуви (например в кедах).
- Не подставляйте руки и ноги под платформу газонокосилки, и не держите их рядом с вращающимися деталями. Так вы рискуете получить травмы рук или ног.
- Отсутствие крышек на разгрузочных отверстиях или использование поврежденных крышек может привести к травмам из-за контакта с ножом или от выброшенных предметов.
- Очень часто люди получают травмы, споткнувшись или поскользнувшись, когда газонокосилка проезжает им по ноге во время падения. Если вы падаете, не держитесь за газонокосилку — немедленно отпустите рукоятку.
- Не тяните газонокосилку на себя, когда идете. Если вам нужно отойти назад, чтобы отвести газонокосилку от стены или другого препятствия, сначала оглянитесь и посмотрите под ноги, чтобы не поскользнуться, а затем выполняйте следующие указания:
 - Отойдите от газонокосилки так, чтобы ваши руки полностью распрямились.
 - Убедитесь, что вы стоите в устойчивом положении.
 - Медленно потяните газонокосилку на себя, не больше чем на половину расстояния между вами.
 - Повторяйте данную процедуру столько раз, сколько потребуется.
- Не используйте газонокосилку в состоянии алкогольного или наркотического опьянения.
- Не используйте устройства с поврежденными щитками и кожухами или без средств защиты, например без отражателей и/или мешков для сбора травы.

- Будьте осторожны: следите за тем, что делаете. Будьте благоразумны. Не работайте, если вы устали.
- Скоба управления двигателем/ножом является защитным устройством. Не вмешивайтесь в ее работу. В противном случае она не сможет защитить вас, и вы рискуете получить травму от контакта с вращающимся ножом. Скоба управления двигателем/ножом должна свободно двигаться в обоих направлениях и автоматически возвращаться в исходное положение, если ее отпустить.
- Не работайте там, где это может быть опасно, например во влажных или сырых местах.
- Не используйте устройство в дождливую погоду.
- Следите за равновесием. Если вы поскользнетесь и упадете, высока вероятность получения серьезных травм. Если вы чувствуете, что потеряли равновесие, немедленно отпустите скобу управления двигателем/ножом. Нож остановится через три секунды.
- Отключайте нож при пересечении гравийных дорожек, тропинок и улиц.
- Если устройство начало сильно вибрировать, немедленно остановите двигатель и найдите причину. Как правило, наличие сильной вибрации говорит о проблеме.
 - Осмотрите устройство на предмет повреждений;
 - Замените или отремонтируйте поврежденные детали, если это возможно;
 - Проверьте и затяните ослабшие крепления.
- Не используйте газонокосилку, если задний щиток, крышка разгрузочного отверстия, мешок для травы, мульчирующая вставка, боковой разгрузочный желоб, скоба управления двигателем/ножом и другие защитные устройства неисправны или не установлены. Не используйте газонокосилку с поврежденными защитными устройствами. В противном случае велика вероятность получения травм.
- При возникновении ситуаций, не описанных в настоящем руководстве, соблюдайте осторожность и благоразумие. Свяжитесь с сервисной службой EGO для получения технической поддержки.
- Используйте только аккумуляторные батареи и зарядные устройства, перечисленные ниже:

АККУМУЛЯТОРНАЯ БАТАРЕЯ	ЗАРЯДНОЕ УСТРОЙСТВО
BA1120E, BA2240E, BA2800, BA3360, BA4200	CH5500E, CH2100E

- Перед утилизацией с устройства необходимо снять батарею.
- Батареи следует утилизировать надлежащим образом.

Работа на склонах

На склоне легко можно поскользнуться и упасть, что может стать причиной серьезных травм. Будьте особенно внимательны при работе на склонах. Будьте особенно внимательны при работе на склонах. Не скашивайте траву на склоне, если вам неудобно на нем работать.

Рекомендации:

- Перемещайтесь поперек склона, а не вверх—вниз. Будьте особенно осторожны при смене направления на склоне.
- Берегитесь ям, выбоин, камней, скрытых предметов и кочек: вы можете залпнуться об них. Препятствия могут быть незаметны из—за высокой травы.

Запрещается:

- Не скашивайте траву возле обрывов, канав и на берегах: вы можете потерять равновесие и упасть.
- Не работайте на уклонах круче 15 градусов.
- Не скашивайте мокрую траву. Вы можете поскользнуться.

ОБСЛУЖИВАНИЕ

⚠ ВНИМАНИЕ! Мешок для травы, крышка разгрузочного отверстия, боковой разгрузочный желоб, мульчирующая вставка и задний щиток изнашиваются, вследствие чего движущиеся детали могут оказаться открытыми и устройство может начать выбрасывать посторонние предметы, что создает риск получения травм. В целях безопасности проверяйте все компоненты и незамедлительно заменяйте поврежденные детали на аналогичные, как указано в настоящем руководстве. Свяжитесь с сервисной службой или с ближайшим сервисным центром EGO. Замена деталей и ремонтные работы должны производиться квалифицированными специалистами!

- Если встроенная система защиты от перегрузок стала срабатывать слишком часто, свяжитесь с сервисной службой или ближайшим сервисным центром EGO.
- Не мойте газонокосилку водой из шланга, не допускайте попадания воды в двигатель и на электрические компоненты.
- Если вы не используете газонокосилку, снимите с нее ключ и уберите устройство в помещение. Прежде

чем убрать устройство на хранение в закрытом пространстве, дайте двигателю остыть. Газонокосилку следует хранить в сухом помещении (располагая высоко над полом, либо помещение должно закрываться на замок) вне досягаемости детей.

- При обслуживании устройства используйте только запчасти, указанные в настоящем руководстве. Использование деталей с другими характеристиками может привести к снижению эффективности работы и безопасности устройства.
- Перед выполнением обслуживания, очистки, а равно перед удалением отходов из газонокосилки снимите или отключите батарею.
- Выполняйте указания по замене принадлежностей.
- Рукоятки должны быть сухими, на них не должно быть смазочных материалов.
- Во избежание возгорания следите за тем, чтобы на крышке мотора не скапливалась трава, листья и мусор.
- Регулярно проверяйте затяжку крепежных болтов на ноже и двигателе. Осматривайте нож на предмет повреждений (например изгибов, трещин и износа). Заменяйте ножи только на идентичные имеющимся (указаны в настоящем руководстве).
- Не забывайте ухаживать за газонокосилкой. Чтобы устройство работало эффективно и безопасно, нож должен быть острым и чистым. Ножи газонокосилки очень острые — не порежьтесь. Будьте осторожны: при работе с ножами их необходимо обернуть во что-нибудь или надеть перчатки.
- Не снимайте и не нарушайте работу защитных устройств. Регулярно проверяйте, правильно ли они работают. Не делайте ничего, что может помешать работе защитных устройств или снизить их эффективность.
- Прежде чем регулировать колеса или высоту среза, всегда останавливайте двигатель.
- При наезде на посторонний предмет остановите двигатель, выньте ключ из устройства и тщательно осмотрите газонокосилку на предмет повреждений. Прежде чем продолжать работу, отремонтируйте газонокосилку по необходимости.
- Следите за состоянием маркировки с инструкциями и заменяйте ее при необходимости. Свяжитесь с сервисной службой или с ближайшим сервисным центром EGO. Замена деталей и ремонтные работы должны производиться квалифицированными специалистами!

■ СОХРАНИТЕ ДАННОЕ РУКОВОДСТВО.

Обращайтесь к нему при необходимости и дайте ознакомиться всем, кто может использовать устройство. Если вы передаете кому-либо устройство, то во избежание неправильного использования и травм передайте вместе с ним и данное руководство пользователя.

ИСПОЛЬЗОВАНИЕ БАТАРЕИ И УХОД ЗА НЕЙ

- Надлежащая утилизация и переработка старых батарей помогает сберечь природные ресурсы. Изделие работает от литий-ионных аккумуляторных батарей. Местное и федеральное законодательство могут запрещать выбрасывать литий-ионные батареи вместе с бытовыми отходами. Для получения информации о возможности переработки и способах утилизации обратитесь в местную администрацию.
- После снятия батареи с устройства для переработки или утилизации заклейте его клеммы прочной изолентой. Не пытайтесь разобрать/разрушить корпус батареи или извлечь из нее какие-либо детали. Литий-ионные батареи необходимо перерабатывать или утилизировать надлежащим образом. Кроме того, не прикасайтесь к клеммам металлическими предметами и/или телом — это может привести к короткому замыканию. Храните батареи вне досягаемости детей. Несоблюдение данных требований безопасности может привести к возгоранию и/или серьезным травмам.
- ПРИ ГРУБОМ ОБРАЩЕНИИ ИЗ БАТАРЕИ МОЖЕТ ВЫПЛЕСКИВАТЬСЯ ЖИДКОСТЬ — ИЗБЕГАЙТЕ КОНТАКТА С НЕЙ. В СЛУЧАЕ ПОПАДАНИЯ ЖИДКОСТИ НА КОЖУ СМОЙТЕ ЕЕ ВОДОЙ. В СЛУЧАЕ ПОПАДАНИЯ ЖИДКОСТИ В ГЛАЗА ОБРАТИТЕСЬ К ВРАЧУ. Жидкость, находящаяся в батарее, может вызывать раздражение и ожоги.

ТЕХНИЧЕСКИЕ ХАРАКТЕРИСТИКИ

Номер модели	LM2120E	LM2120E-SP
Система механического привода	Нет	Есть
Напряжение	56 В	56 В
Холостой ход	2800 /мин	2800 /мин
Высота среза	28-94 мм	28-94 мм
Положения высоты среза	6	6
Размер платформы	53 см	53 см
Ширина среза	52 см	52 см

Объем мешка для травы	70 л	70 л	
Масса косилки (без аккумулятора)	22,10 кг	24,55 кг	
Модель ножа	AB2101	AB2101	
Измеренный уровень звуковой мощности L_{WA} $K=2$ dB(A)	89,9 dB(A)	89,5 dB(A)	
Уровень звукового давления на уровне уха оператора L_{PA} $K=3$ dB(A)	87 dB(A)	87 dB(A)	
Гарантированный уровень звукового давления L_{WA} (в соответствии с 2000/14/EC)	92 dB(A)	92 dB(A)	
Вибрация a_n $K=1,5$ m/s ²	Левая рукоятка	$\leq 2,5$ m/s ²	$\leq 2,5$ m/s ²
	Правая рукоятка	$\leq 2,5$ m/s ²	$\leq 2,5$ m/s ²
Тормоз ножа	Есть	Есть	

RU

- Номинальный уровень вибрации был измерен в соответствии со стандартными методиками, и полученное значение можно использовать для сравнения инструментов между собой.
- Значение номинального уровня вибрации также можно использовать для оценки воздействия инструмента на оператора.

ОБРАТИТЕ ВНИМАНИЕ: фактический уровень вибрации во время использования устройства может отличаться от номинального. Оператору рекомендуется надевать перчатки и средства защиты органов слуха.

КОМПЛЕКТ ПОСТАВКИ

ДЕТАЛЬ	КОЛИЧЕСТВО
Газонокосилка	1
Мешок для травы	1
Рама мешка для травы	1
Мульчирующая вставка	1
Предохранительный ключ	2
Руководство пользователя	1

ЗНАКОМСТВО С ГАЗОНОКОСИЛКОЙ (рис. А, В и С)

1. Предохранительная кнопка
2. Скоба активации механического привода
3. Фиксатор рукоятки
4. Лючок заднего разгрузочного отверстия
5. Задняя рукоятка
6. Крышка аккумуляторного отсека
7. Светодиодные фары
8. Передняя рукоятка
9. Переднее колесо
10. Рычаг регулировки высоты среза
11. Платформа газонокосилки
12. Заднее колесо
13. Мешок для травы
14. Рычаг быстрой регулировки
15. Боковая направляющая
16. Рычаг регулировки скорости движения
17. Скоба-выключатель
18. Рукоятка
19. Мульчирующая вставка
20. Кронштейн для хранения в вертикальном положении
21. Задний щиток
22. Выключатель светодиодных фар
23. Индикатор питания

ЭКСПЛУАТАЦИЯ

УСТАНОВКА МЕШКА ДЛЯ ТРАВЫ

- 1) Наденьте мешок для травы на раму (рис. D).
- 2) Установите на раму верхние зажимы (рис. E), а затем прикрепите два боковых зажима. Нижний зажим устанавливается в последнюю очередь.
- 3) Мешок для травы в собранном виде показан на рис. F.

ОБРАТИТЕ ВНИМАНИЕ: материал, из которого изготовлен мешок, при нормальном использовании изнашивается. Для снижения риска получения травм регулярно проверяйте состояние мешка. При обнаружении признаков износа смените мешок. Используйте только мешки для травы, предназначенные для данной газонокосилки.

РЕГУЛИРОВКА СКЛАДНОЙ РУКОЯТКИ

ОПИСАНИЕ

146

⚠ ВНИМАНИЕ! Не запускайте устройство, если рукоятка не зафиксирована в одном из трех рабочих положений (ВЕРХНЕМ, СРЕДНЕМ или НИЖНЕМ).

Газонокосилка поставляется с рукояткой, сложенной в ПОЛОЖЕНИЕ ДЛЯ КОМПАКТНОГО ХРАНЕНИЯ (рис. G).

- 1) Нажмите и удерживайте рычаг быстрой регулировки, чтобы перевести рукоятку из ПОЛОЖЕНИЯ ДЛЯ КОМПАКТНОГО ХРАНЕНИЯ (рис. H-1) в другое положение.
- 2) Поднимите рукоятку и отпустите рычаг. Плавно перемещайте рукоятку вверх. Когда она встанет в одно из положений, показанных в рис. H, вы услышите и почувствуете, как сработали фиксаторы.

ПОЛОЖЕНИЕ ДЛЯ УСТАНОВКИ/СНЯТИЯ МЕШКА ДЛЯ ТРАВЫ (рис. H-2).

- ВЕРХНЕЕ РАБОЧЕЕ ПОЛОЖЕНИЕ (рис. H-3)
- СРЕДНЕЕ РАБОЧЕЕ ПОЛОЖЕНИЕ (рис. H-4)
- НИЖНЕЕ РАБОЧЕЕ ПОЛОЖЕНИЕ (рис. H-5)

УСТАНОВКА МЕШКА ДЛЯ ТРАВЫ/МУЛЬЧИРУЮЩЕЙ ВСТАВКИ

⚠ ВНИМАНИЕ! Не проводите никаких работ на газонокосилке, пока двигатель не остановится. Извлеките из устройства предохранительный ключ и дождитесь, пока нож не остановится.

ОБРАТИТЕ ВНИМАНИЕ: перед началом работы следует установить на косилку одно из необходимых приспособлений.

- Установка/снятие мешка для травы (рис. I)

ОБРАТИТЕ ВНИМАНИЕ: прежде чем устанавливать на устройство мешок для травы, снимите с косилки мульчирующую вставку.
- Установка/снятие мульчирующей вставки (рис. J)

РЕГУЛИРОВКА ВЫСОТЫ СРЕЗА (рис. K)

⚠ ВНИМАНИЕ! Не подставляйте ноги под платформу во время регулировки ее высоты. Можно выбрать один из 5 вариантов высоты среза от 28 до 90 мм. Выберите высоту среза исходя из типа и состояния травы.

ОБРАТИТЕ ВНИМАНИЕ: при перемещении устройства убедитесь, что высота среза стоит в положении 3 или выше. В противном случае можно повредить нож.

УСТАНОВКА/СНЯТИЕ АККУМУЛЯТОРНОЙ

БАТАРЕИ (рис. L)

Зарядить перед первым использованием.

⚠ ВНИМАНИЕ! Не устанавливайте батарею на газонокосилку и не включайте устройство, если на нем неисправны или отсутствуют какие-либо детали — их необходимо отремонтировать или заменить. В противном случае велика вероятность получения травм.

- **Установка**
Установите батарею в аккумуляторный отсек. Должен раздаться щелчок.
- **Снятие**
Нажмите на кнопку фиксатора батареи, находящуюся в отсеке.
См. описание деталей на рис. L ниже:

L-1	скважина для предохранительного ключа
L-2	Предохранительный ключ
L-3	Кнопка фиксатора батареи

ОБРАТИТЕ ВНИМАНИЕ: прежде чем приступать к работе, убедитесь, что фиксатор сработал и батарея надежно сидит на месте.

ЗАПУСК/ОСТАНОВКА ГАЗОНОКОСИЛКИ

⚠ ВНИМАНИЕ! Использование газонокосилки может привести к попаданию посторонних предметов в глаза, что может стать причиной серьезных травм. Перед использованием устройства, а также для проведения регулировки или ремонта обязательно надевайте защитные очки.

⚠ ВНИМАНИЕ! Не пользуйтесь газонокосилкой в дождливую погоду.

⚠ ВНИМАНИЕ! Следите за тем, чтобы люди и животные не приближались к работающей газонокосилке на расстояние менее 30 метров.

⚠ ВНИМАНИЕ! Нож продолжает вращаться в течение нескольких секунд после выключения газонокосилки. Дождитесь, пока двигатель/нож остановятся, прежде чем снова запускать устройство. Не нажимайте на кнопку включения/выключения несколько раз подряд.

ОБРАТИТЕ ВНИМАНИЕ: двигатель не будет запускаться в следующих случаях:

- Рукоятка не зафиксирована в одном из рабочих положений

- Боковые направляющие не выдвинуты до конца. (рис. M).
- Не зафиксирован один из зеленых фиксаторов рукоятки (рис. N).

⚠ ОСТОРОЖНО! Не вмешивайтесь в работу предохранительной кнопки и скобы-выключателя.

Запуск (рис. P)

- 1) Установите аккумуляторную батарею на газонокосилку, вставьте в устройство предохранительный ключ и закройте крышку аккумуляторного отсека (рис. L).
- 2) Нажмите на предохранительную кнопку, как показано на рис. O.
- 3) Удерживайте предохранительную кнопку нажатой и потяните за скобу-выключатель. Отпустите кнопку, когда скоба коснется рукоятки.

Остановка (рис. Q)

- 1) Отпустите скобу.
- 2) Электрическая система автоматического торможения остановит нож через 3 секунды после того, как вы отпустите скобу.

RU

СИСТЕМА МЕХАНИЧЕСКОГО ПРИВОДА С РЕГУЛИРОВКОЙ СКОРОСТИ

Газонокосилка LM2120E-SP оборудована системой механического привода с регулировкой скорости. Данная система никак не связана с выключателем ножа и не зависит от вращения последнего.

Чтобы использовать систему, не включая нож, нажмите на рычаг системы механического привода.

Чтобы остановить устройство, отпустите рычаг.

Скорость движения устройства можно регулировать. Для увеличения скорости передвиньте рычаг регулировки скорости движения вперед. Для уменьшения скорости передвиньте рычаг регулировки скорости движения назад (рис. R).

Кошение травы с помощью устройства

1. Включите газонокосилку.
2. Прижмите скобу-выключатель к рукоятке левой рукой, а скобу активации механического привода — правой.
3. Удерживайте скобу активации механического привода и скобу-выключатель прижатыми к рукоятке правой рукой, а левой рукой выберите нужную скорость движения с помощью рычага регулировки скорости.

Обратите внимание: легче выкосить пространство вокруг объекта (например дерева или другого растения), не включая систему механического привода.

⚠ ВНИМАНИЕ! Во избежание травм не вмешивайтесь в работу выключателя и системы механического привода. Используйте механический привод только по назначению.

СВЕТОДИОДНЫЕ ФАРЫ. (рис A-7)

Нажмите на кнопку (рис. C-22), чтобы включить/выключить светодиодные фары, расположенные перед аккумуляторным отсеком.

ИНДИКАТОР ПИТАНИЯ (рис. S)

Газонокосилка оборудована индикатором питания, который отражает состояние устройства и показывает, когда батарея заряжается. Индикатор питания горит, когда вращается нож или включены светодиодные фары.

Индикатор питания	Значение	Действие
Светится зеленым	Газонокосилка работает нормально, заряд батареи выше 15%	Не требуется
Светится красным	Батарея разряжается	Остановите газонокосилку и зарядите батарею
Мигает красным	Батарея разряжена почти полностью	Остановите газонокосилку и зарядите батарею
Светится оранжевым	Перегрев газонокосилки или батареи	Снимите батарею с устройства, уберите ее в тень и дайте остыть в течение 15 минут
Мигает оранжевым	Перегрузка газонокосилки	Снизьте скорость работы или увеличьте высоту среза, чтобы уменьшить нагрузку

ЗАЩИТА ГАЗОНОКОСИЛКИ ОТ ПЕРЕГРУЗКИ

Для защиты устройства от перегрузки старайтесь не скашивать очень много травы за один заход. Снизьте скорость движения и увеличьте высоту среза.

Газонокосилка оборудована встроенной системой защиты электрических компонентов от перегрузки. В случае перегрузки двигатель останавливается, а индикатор питания начинает мигать оранжевым светом. Снимите с устройства аккумулятор. Проверьте, не набилась ли трава под платформу и при необходимости очистите. Установите аккумулятор на место и запустите газонокосилку.

ЗАЩИТА БАТАРЕИ ОТ ПЕРЕГРЕВА

При работе батарея нагревается. В жаркую погоду тепло рассеивается плохо. Если во время работы температура батареи превышает 70°C, система защиты немедленно отключает газонокосилку, чтобы защитить ее от повреждения. Индикатор питания загорается оранжевым светом. Отпустите скобу-выключатель, дождитесь, пока батарея остынет примерно до 67°C, а затем продолжайте работу.

ТЕХОБСЛУЖИВАНИЕ

⚠ ВНИМАНИЕ! Во избежание травм вынимайте из устройства предохранительный ключ всякий раз перед проведением очистки/техобслуживания и перевозкой устройства.

⚠ ВНИМАНИЕ! При проведении обслуживания используйте только идентичные запчасти. Использование других запчастей создает опасность получения травм и повреждения устройства. Для обеспечения безопасности и надежной эксплуатации устройства все ремонтные работы должны выполняться силами квалифицированных специалистов.

ОЧИСТКА ГАЗОНОКОСИЛКИ

Нижнюю сторону платформы газонокосилки необходимо очищать после каждого использования, так как там скапливаются обрезки травы, листья и другой мусор.

Удалите скопления травы и листьев вокруг приводного вала (только устройства LM2120E-SP) и вентилятора двигателя (не используйте воду для этого). Протрите газонокосилку влажной тканью.

СНЯТИЕ/УСТАНОВКА НОЖА

⚠ ВНИМАНИЕ! Во время обслуживания ножей газонокосилки защищайте руки: надевайте прочные перчатки или оборачивайте режущие кромки ножа ветошью или другим материалом. Перед проведением обслуживания или транспортировкой обязательно снимайте с устройства аккумулятор.

■ Снятие ножа Рис. Т.

ОБРАТИТЕ ВНИМАНИЕ: если при раскручивании вал двигателя проворачивается вместе с болтом, поверните вентилятор вручную так, чтобы отверстия в нем совпали с отверстиями в ноже, а затем вставьте в них металлический стержень (рис. U).

Установка ножа

Выполняйте установку в последовательности, показанной на рис. V, так чтобы вентилятор был направлен к платформе, а нож — печатной стороной наружу. Совместите отверстия в вентиляторе с отверстиями в ноже (рис. W), а затем затяните нож, как показано на рис. X.

См. описание деталей на рис. U и V ниже:

U-1	Стабилизатор 1	V-2	Внутренний фланец
U-2	Стабилизатор 2	V-3	Нож
U-3	Ключ на 14 мм	V-4	Внешний фланец
V-1	Вентилятор	V-5	Болт

ОБРАТИТЕ ВНИМАНИЕ: рекомендованный момент затяжки болта составляет 49–59Нм.

ХРАНЕНИЕ ГАЗОНОКОСИЛКИ

- Снимите с газонокосилки батарею и уберите устройство на хранение в прохладное, чистое и сухое место. Не храните устройство рядом с веществами, вызывающими коррозию, например с удобрениями или каменной солью.
- Храните газонокосилку в закрытом, сухом и прохладном помещении вне досягаемости детей.
- Не накрывайте газонокосилку пластиком. Пластиковые чехлы не дают испаряться влаге, которая может вызвать коррозию.
- Устройство можно хранить как в горизонтальном, так и в вертикальном положении (рис. Y).

⚠ ВНИМАНИЕ! Если устройство, стоящее в вертикальном положении, наклоняется, оно может упасть. Это влечет риск травм и поломки косилки. Если вы ставите устройство вертикально, следите за тем, чтобы оно стояло в устойчивом положении и чтобы дети не могли до него добраться. Старайтесь хранить устройство в горизонтальном положении, если это возможно.

Защита окружающей среды



Не выбрасывайте электроприборы, зарядные устройства и аккумуляторные батареи вместе с бытовыми отходами!

Неиспользуемое электрическое и электронное оборудование (в соответствии с законом ЕС 2012/19/EU), а также неисправные или разряженные аккумуляторные батареи (в соответствии с законом ЕС 2006/66/ЕС) должны утилизироваться отдельно от другого мусора.

При утилизации электроприборов на свалках и полигонах ТБО опасные вещества могут попасть в грунтовые воды, а следовательно и в пищу, что создает угрозу здоровью и благосостоянию людей.

RU

KEES VAN DER SCHAAP
TUINMACHINE

ДЕКЛАРАЦИЯ СООТВЕТСТВИЯ ЕС



Мы, EGO EUROPE GMBH

Wahlwiesenstrasse 1, D-71711 Steinheim an der Murr
Deutschland

заявляем, что изделие «Беспроводная газонокосилка на литий-ионной батарее (56 В)» модели **LM2120E/ LM2120E-SP** соответствует важнейшим требованиям к безопасности и здравоохранению, изложенным в следующих Директивах:

2006/42/EC, 2014/30/EC, 2011/65/EC, 2000/14/EC

Применяемые стандарты и технические характеристики:

EN 60335-1, EN 60335-2-77, EN 62233, EN 55014-1, EN 55014-2

	LM2120E	LM2120E-SP
Измеренный уровень звуковой мощности:	89,9 dB(A)	89,5 dB(A)
Гарантированный уровень звуковой мощности:	92 dB(A)	92 dB(A)

Процедура оценки соответствия в Приложении VI выполняется согласно 2000/14 / EC.

Уполномоченный орган: Société Nationale de Certification et d'Homologation

Номер уполномоченного органа: 0499

Peter Melrose
Директор EGO Europe GmbH

Dong Jianxun
Руководитель отдела
технического контроля Chervon

* (уполномоченный представитель CHERVON и лицо, ответственное за техническую документацию)

01/09/2016

ПОИСК И УСТРАНЕНИЕ НЕИСПРАВНОСТЕЙ

⚠ ВНИМАНИЕ! Перед проведением обслуживания или транспортировкой устройства обязательно извлеките предохранительный ключ и батарею. Во время обслуживания ножей газонокосилки защищайте руки: надевайте прочные перчатки или оборачивайте режущие кромки ножа ветошью или другим материалом.

ПРОБЛЕМА	ПРИЧИНА	РЕШЕНИЕ
Газонокосилка не запускается	<ul style="list-style-type: none"> ■ Разряжена батарея. ■ Аккумуляторная батарея не установлена в отсек. ■ Перегрев батареи или электрических цепей устройства. (Индикатор питания будет светиться оранжевым светом в течение 10 секунд) ■ Боковые направляющие не раскрыты полностью, на сработали фиксаторы. ■ Рукоятка не установлена в одно из двух рабочих положений. ■ Платформа газонокосилки забита травой и мусором. 	<ul style="list-style-type: none"> ■ Зарядите батарею. ■ Установите батарею в устройство и нажмите до щелчка. ■ Подождите, пока батарея или газонокосилка не остынут до 67°C. ■ Вытяните рукоятку до упора и зафиксируйте с помощью обоих фиксаторов. ■ Установите рукоятку в одно из двух рабочих положений. ■ Очистите платформу устройства и убедитесь, что нож свободно вращается.
Устройство неровно скашивает траву.	<ul style="list-style-type: none"> ■ Затупился нож. ■ Неправильно установлена высота среза. ■ Нож установлен неправильно. 	<ul style="list-style-type: none"> ■ Заточите или замените нож. ■ Поднимите платформу повыше. ■ Установите нож на место, как описано в разделе «УСТАНОВКА НОЖА» настоящего руководства.
Устройство неожиданно прекращает работу	<ul style="list-style-type: none"> ■ Разряжена батарея. ■ Перегрузка устройства. ■ Платформа газонокосилки забита травой и мусором. ■ Перегрев батареи или электрических цепей устройства. (Индикатор питания будет светиться оранжевым светом в течение 10 секунд). ■ Боковая направляющая немного сложилась из-за усилия, приложенного к рукоятке. 	<ul style="list-style-type: none"> ■ Зарядите батарею. ■ Увеличьте высоту среза или снизьте скорость работы. ■ Очистите платформу газонокосилки. Увеличьте высоту среза или скашивайте более узкую полосу травы. ■ Подождите, пока батарея или газонокосилка не остынут до 67°C. ■ Ослабьте фиксаторы. Вытяните боковые направляющие до конца и снова зафиксируйте их.

ПРОБЛЕМА	ПРИЧИНА	РЕШЕНИЕ
Устройство плохо выполняет мульчирование	<ul style="list-style-type: none"> ■ Обрезки мокрой травы налипли на нижнюю сторону платформы. ■ Устройство отрегулировано так, что срезает слишком много травы за один заход. 	<ul style="list-style-type: none"> ■ Дождитесь, пока трава подсохнет, прежде чем скашивать ее. ■ Поднимите платформу повыше.
Устройство сильно вибрирует	<ul style="list-style-type: none"> ■ Разболтался нож. ■ Нож разбалансирован. ■ Режущее приспособление погнуто. ■ Погнулся вал двигателя. 	<ul style="list-style-type: none"> ■ Затяните болт крепления ножа. ■ Отбалансируйте нож в соответствии с инструкциями в руководстве. ■ Замените нож. ■ Свяжитесь с сервисным центром.
Фиксаторы рукоятки не удерживают нужное положение	<ul style="list-style-type: none"> ■ Боковые направляющие вытянуты не до конца. 	<ul style="list-style-type: none"> ■ Вытяните боковые направляющие до упора и затяните фиксаторы.

ГАРАНТИЯ

ГАРАНТИЙНАЯ ПОЛИТИКА EGO

RU

Посетите веб-сайт egopowerplus.com, чтобы ознакомиться со всеми условиями и сроками гарантийной политики EGO.

KEE VAN DER SPEK
TUINMACHINES ★ STOLWIJK

PRZECZYTAJ WSZYSTKIE INSTRUKCJE!



PRZECZYTAJ INSTRUKCJĘ OPERATORA

⚠️ Pozostałe zagrożenia! Osoby noszące urządzenia elektroniczne, np. rozruszniki serca, powinny się skonsultować z lekarzem przed użyciem tego urządzenia. Obsługa sprzętu elektrycznego w pobliżu rozrusznika serca może spowodować zakłócenia lub awarię rozrusznika.

⚠️ OSTRZEŻENIE: Aby zapewnić bezpieczeństwo i niezawodność, wszystkie naprawy i wymiany powinny być wykonane przez serwisanta z odpowiednimi kwalifikacjami.

Przeznaczenie i przewidywalne przykłady niewłaściwego użycia: Produkt ten jest przeznaczony do koszenia trawy wyłącznie w ogrodach domowych. Nie może być używany do koszenia zbyt wysokiej, suchej lub mokrej trawy, np. trawy pastwiskowej, lub do zbierania liści. Urządzenie to może być stosowane wyłącznie do przewidzianych celów. Wszelkie inne zastosowania są uznane za przypadek niewłaściwego użycia.

SYMBOLY BEZPIECZEŃSTWA

Celem symboli bezpieczeństwa jest zwrócenie Twojej uwagi na możliwe zagrożenia. Symbole bezpieczeństwa oraz wyjaśnienia zasługują na szczególną uwagę oraz zrozumienie ze strony użytkownika. Ostrzeżenia związane z symbolami nie mogą same w sobie zapobiec zagrożeniom. Instrukcje i ostrzeżenia w nich zawarte nie zastępują właściwych środków profilaktycznych.

⚠️ OSTRZEŻENIE: Przeczytaj ze zrozumieniem wszystkie instrukcje obsługi w instrukcjach operatora, razem ze wszystkimi symbolami ostrzegającymi o niebezpieczeństwie, takimi jak **"NIEBEZPIECZEŃSTWO"**, **"OSTRZEŻENIE"**, oraz **"UWAGA"** przed użyciem urządzenia. Niestosowanie się do wszystkich podanych niżej instrukcji może doprowadzić do porażenia prądem, pożaru i/lub poważnych obrażeń.

ZNACZENIE SYMBOLU

SYMBOL OSTRZEGAJĄCY PRZED NIEBEZPIECZEŃSTWEM WSKAZUJE MA NIEBEZPIECZEŃSTWO, OSTRZEŻENIE, ORAZ UWAGĘ. Mogą być stosowane razem z innymi symbolami lub piktogramami.

⚠️ OSTRZEŻENIE: Stosowanie elektronarzędzi może spowodować dostanie się obcych przedmiotów do oczu, co może spowodować poważne obrażenia oczu. Przed rozpoczęciem obsługi elektronarzędzia, ubierz okulary ochronne z bocznymi osłonami i całkowitą osłoną twarzy, w razie potrzeby. Zalecamy maskę bezpieczeństwa o szerokim polu widzenia zamiast tradycyjnych okularów ochronnych lub okularów z osłonami bocznymi.

INSTRUKCJE BEZPIECZEŃSTWA

Strona ta przedstawia i opisuje symbole bezpieczeństwa, które mogą pojawić się na tym urządzeniu. Przeczytaj ze zrozumieniem i przestrzegaj wszystkich instrukcji na urządzeniu przed jego montażem i obsługą.

	Ostrzeżenie przed niebezpieczeństwem	Zasady związane z bezpieczeństwem użytkownika.
	Ochrona oczu	Zawsze noś osłonę na oczy lub okulary ochronne z bocznymi osłonami lub całkowitą osłoną twarzy podczas obsługi tego produktu.
	Przeczytaj instrukcję użytkownika	Aby zmniejszyć ryzyko obrażeń, użytkownik powinien przeczytać ze zrozumieniem instrukcje użytkownika przed obsługą tego urządzenia.
	Uważaj na ostre ostrza.	Ostrza wciąż się kręcą po wyłączeniu silnika - Wyjmij urządzenie odłączające przed konserwacją. Wyłącz i wyjmij wymienny akumulator (lub urządzenie odłączające) przed regulacją lub czyszczeniem.
	Osoby postronne zatrzymaj w bezpiecznej odległości	Upewnij się, że inne osoby oraz zwierzęta pozostają w odległości co najmniej 30m od włączonej kosiarki.
	Klasa II budowy	Struktura z podwójną izolacją.

IPX4	Symbol IP	Zabezpieczenie przed dostaniem się wody do środka, stopień 4
V	Wolt	Napięcie
A	Ampery	Prąd
Hz	Herc	Częstotliwość (cykle na sekundę)
W	Wat:	Moc
min	Minuty	Czas
~	Prąd przemienny	Rodzaj prądu
≡	Prąd stały	Rodzaj lub charakterystyka prądu
n ₀	Prędkość bez obciążenia	Prędkość obrotowa, bez obciążenia
... /min	na minutę	Obroty na minutę

- Nie używaj kosiarki, jeśli w pobliżu znajdują się dzieci lub zwierzęta.
- Operator lub użytkownik ponoszą odpowiedzialność w przypadku wypadków lub zagrożeń dla innych osób lub ich własności.

PRZYGOTOWANIE

- Podczas koszenia noś zawsze solidne buty oraz długie spodnie.
- Nie używaj urządzenia bez butów lub w sandałach. Nie noś luźnych ubrań lub z wiszącymi frędzlami.
- Uważnie skontroluj obszar, na którym zamierzasz stosować urządzenie, usuń wszystkie kamienie, patyki, przewody, kości i inne obce przedmioty.
- Przed użyciem sprawdzaj zawsze wizualnie czy ostrza, śruby ostry i zestaw tnący nie są zużyte lub uszkodzone. Wymień uszkodzone lub zużyte ostrza i śruby parami, aby zachować równowagę. Wymień uszkodzone lub nieczytelne etykiety.

OBŚLUGA

- Koś trawnik jedynie przy dziennym świetle lub przy dobrym sztucznym oświetleniu.
- Unikaj używania urządzenia w mokrej trawie, w miarę możliwości.
- Upewnij się zawsze, że masz punkt oparcia na stokach.
- Nigdy nie biegaj.
- W przypadku kosiarek obrotowych na kółkach, koś naprzeciw zbrocza, nigdy z góry na dół ani z dołu do góry
- Zachowaj szczególną ostrożność przy zmianie kierunku na zbroczu.
- Nie koś na bardzo stromych zboczach.
- Zachowaj szczególną uwagę, kiedy cofasz lub pociągasz urządzenie w swoją stronę.
- Zatrzymaj nóż, jeśli urządzenie musi być przechylone w celu przeniesienia przy przekraczaniu powierzchni bez trawy i przy przenoszeniu urządzenia na obszar pracy.
- Nigdy nie używaj urządzenia z uszkodzonymi osłonami, bez zamontowanego pojemnika na trawę, bez zamontowanej osłony przeciwkamyennej lub innych elementów ochronnych.
- Włącz silnik zgodnie z instrukcjami i uważaj, aby nogi były oddalone od noży.
- Nie pochylaj urządzenia przy włączaniu silnika, chyba, że urządzenie musi być pochylone przy rozruchu. W tym przypadku nie pochylaj więcej niż potrzeba i podnieś jedynie część, która jest oddalona od operatora. Zawsze upewnij się, że obie ręce są w pozycji obsługi zanim skierujesz urządzenie do ziemi.

ZASADY BEZPIECZEŃSTWA DLA KOSIARKI DO TRAWY

⚠ NIEBEZPIECZEŃSTWO: Urządzenie to powinno być obsługiwane zgodnie z zasadami bezpiecznego działania zawartymi w niniejszej instrukcji. Jak w przypadku innego sprzętu elektrycznego, niedbalstwo lub błąd użytkownika może spowodować poważne obrażenia. Urządzenie to może być przyczyną obrażeń rąk i stóp i może wyrzucać przedmioty. Nieprzestrzeganie wszystkich tych instrukcji może spowodować poważne obrażenia lub śmierć.

⚠ OSTRZEŻENIE: Przy używaniu bezprzewodowych kosiarek do trawy należy przestrzegać podstawowych środków bezpieczeństwa, aby zmniejszyć ryzyko pożaru, porażenia prądem i obrażeń ciała.

WAŻNE

PRZECZYTAJ UWAGAŃNIE PRZED ZASTOSOWANIEM. ZACHOWAJ, GDYŻ MOŻE BYĆ UŻYTECZNE W PRZYSZŁOŚCI.

ZASADY BEZPIECZEŃSTWA DLA KOSIARKI DO TRAWY:

UWAGA-NIE DOTYKAJ RUCHOMYCH OSTRZY!

SZKOLENIE

- Przeczytaj uważnie instrukcje. Zapoznaj się z funkcjami sterowania oraz właściwym korzystaniem z urządzenia
- Nigdy nie pozwalaj dzieciom lub osobom, które nie zapoznały się z niniejszą instrukcją na używanie urządzenia. Miejscowe rozporządzenia mogą ograniczać wiek operatora.

- Nie włączaj urządzenia, kiedy stoisz naprzeciw kanału wylądowania trawy.
- Nie umieszczaj rąk lub nóg w pobliżu lub pod ruchomymi częściami. W przypadku kosiarek obrotowych zawsze należy stać poza otworem wylotowym.
- Nigdy nie przenoś lub nie noś urządzenia przy włączonym silniku.
- Przed regulacją lub czyszczeniem wyłącz i wyjmij zdejmowany akumulator (lub urządzenie odłączające) i upewnij się, że wszystkie ruchome części całkowicie się zatrzymały:
 - za każdym razem, gdy oddalas się od urządzenia;
 - przed czyszczeniem blokad lub odblokowaniem koryta;
 - przed kontrolą, czyszczeniem lub obsługą urządzenia;
 - po uderzeniu w obcy przedmiot. Sprawdź, czy urządzenie nie jest uszkodzone i napraw, w razie potrzeby.
- Zatrzymaj silnik, jeśli przy pracy urządzenia pojawią się nienormalne wibracje (sprawdź natychmiast przyczynę):
 - sprawdź, czy nie jest uszkodzone;
 - wymień lub napraw uszkodzone części;
 - sprawdź, czy nie ma poluzowanych części.

KONSERWACJA I PRZECHOWYWANIE

- Podczas regulacji urządzenia zachowaj ostrożność, by palce nie zostały wciągnięte między ruchome ostrza i stałe części urządzenia.
- Sprawdzaj, czy wszystkie nakrętki, śruby są mocno przykręcone, aby zapewnić pracę z urządzeniem w bezpiecznych warunkach.
- Regularnie sprawdzaj, czy pojemnik na trawę nie jest zużyty lub zniszczony.
- Wymień zużyte lub uszkodzone części dla bezpieczeństwa.
- Dzieci nie mogą bez nadzoru wykonywać czynności związanych z czyszczeniem i konserwacją.
- Podczas prac serwisowych pamiętaj, że nawet jeśli źródło zasilania jest odłączone, to ostrza mogą się ruszać.
- W przypadku kosiarek obrotowych upewnij się, że używane są tylko odpowiedniego rodzaju elementy tnące.

BEZPIECZEŃSTWO OSOBISTE

Tragiczne wypadki mogą się zdarzyć, jeśli użytkownik jest powiadomiony o obecności dzieci. Dzieci często pociągają kosiarkę i czynność koszenia. Nie zdają sobie sprawy z niebezpieczeństwa. Nigdy nie oczekuj, że dzieci pozostaną w tym samym miejscu, gdzie je widziałeś po raz ostatni.

- Pilnuj, by dzieci były oddalone od strefy koszenia i znajdowały się pod uważną opieką odpowiedzialnej osoby dorosłej innej niż użytkownik kosiarki.
- Zachowaj ostrożność i wyłącz kosiarkę, jak tylko dziecko znajdzie się w strefie koszenia.
- Zachowaj szczególną ostrożność, gdy zbliżasz się ślepych rogów, przejeżdż, krzaków lub innych przedmiotów, które mogą zasłonić widok dziecka biegnącego w stronę kosiarki.
- Aby nie dopuścić do zabawy kosiarką, dzieci powinny pozostawać pod opieką osób dorosłych.
- Zawsze wyłącz kosiarkę, gdy wyjmiesz akumulator z urządzenia. Zatrzymaj nóż/noże, jeśli urządzenie musi być przechylone w celu przeniesienia przy przekraczaniu powierzchni bez trawy i przy przenoszeniu urządzenia na obszar pracy.

DZIAŁANIE OGÓLNE DZIAŁANIE:

- Przeczytaj uważnie całą instrukcję obsługi użytkownika, przed montażem urządzenia. Przeczytaj ze zrozumieniem i przestrzegaj wszystkich instrukcji na urządzeniu i w instrukcji obsługi przed jego obsługą. Zapoznaj się z kontrolkami i właściwą obsługą urządzenia przez użyciem. Przechowuj instrukcję w bezpiecznym miejscu do przyszłych i regularnych referencji i do zamówień części zamiennych.
- Używaj właściwego urządzenia - nie używaj kosiarki do innych czynności, niż te do których jest przeznaczona.
- Nie sięgaj za daleko - Utrzymuj cały czas właściwą postawę i równowagę.
- Przedmioty, o które uderza kosiarka mogą spowodować poważne obrażenia u osób. Należy zawsze sprawdzać uważnie trawnik i usunąć z niego wszelkie przedmioty przed każdym koszeniem.
- Przed cofaniem się i podczas cofania, patrz do tyłu i w dół, by sprawdzić, czy nie w pobliżu małych dzieci i innych osób.
- To urządzenie nie jest zabawką. Z tego względu zachowaj cały czas szczególną ostrożność. Urządzenie to zostało przeznaczone do jednej czynności: koszenia trawnika. Nie używaj go do innych celów.
- Nie przeciążaj kosiarki - będzie lepiej i bezpieczniej działała, jeśli będzie używana z właściwą prędkością.
- Przed użyciem sprawdzaj zawsze wizualnie czy ostrza, śruby ostrzy i zestaw tnący nie są zużyte lub uszkodzone. Wymień zużyte lub uszkodzone ostrza i nakrętki oraz inne elementy w tym samym czasie, by zachować równowagę. Wymień uszkodzone lub nieczytelne etykiety.
- Zachowaj szczególną uwagę, kiedy cofasz lub pociągasz urządzenie w swoją stronę.

- Dokładnie sprawdź strefę, w której urządzenie będzie używane. Usuń wszystkie kamienie, patyki, przewody, zabawki oraz inne obce przedmioty, o które można się potknąć lub które mogą być wyrzucone przez ostrze. Wyrzucane przedmioty mogą spowodować poważne obrażenia. Zaplanuj trasę koszenia, by uniknąć wyrzucania materiału na drogi, chodniki i osoby postronne. Unikaj również wyrzucania materiału w kierunku ściany lub przeszkody, co może spowodować odbicie rykoszetem materiału w stronę użytkownika.
- Aby uniknąć kontaktu z ostrzami lub obrażeniami przez wyrzucone przedmioty, nie wykraczaj poza strefę koszenia i pilnuj, by dzieci, osoby postronne, osoby pomagające oraz zwierzęta znajdowały się w odległości co najmniej 30 metrów od pracującej kosiarki. Zatrzymaj urządzenie, gdy ktoś wejdzie do strefy roboczej.
- Zawsze noś okulary ochronne lub osłonę na oczy podczas obsługi i czynności regulacyjnych lub naprawczych, by chronić oczy. Wyrzucone przedmioty mogą spowodować poważne obrażenia oczu. Podczas pracy powodującej pylenie używaj maseczki przeciwpyłowej na twarz.
- Noś odpowiednie ubranie - Nie noś luźnych ubrań i biżuterii. Mogą być one wciągnięte przez ruchome części. Zaleca się noszenie gumowych rękawic i obuwia podczas pracy na zewnątrz. Noś stabilne obuwie o szorstkiej podeszwie oraz wąskie spodnie i bluzki. Zaleca się noszenie bluzek i spodni okrywających ramiona i nogi oraz obuwia z metalowym podnoskiem. Nigdy nie obsługuj urządzenia na bosą, w sandałach, śliskim lub lekkim (np. płóciennym) obuwiu.
- Nie zbliżaj rąk i nóg do ruchomych części i nie wkładaj ich pod spód pokrywy. Zbliżenie rąk i stóp do ostrza może spowodować ich zranienie.
- Brakująca lub uszkodzona pokrywa może spowodować dotknięcie ostrzy i obrażenia spowodowane wyrzucenymi przedmiotami.
- Wiele obrażeń jest spowodowanych przeciągnięciem kosiarki nad stopą podczas upadku na skutek poślizgnięcia się lub potknięcia. Nie trzymaj się kosiarki podczas upadku, natychmiast ją puść.
- Nie pociągaj nigdy kosiarki do siebie jak idziesz. Jeśli musisz pociągnąć kosiarkę do tyłu od ściany lub od przeszkody, najpierw spójrz w dół i do tyłu, by uniknąć potknięcia się i postępuj zgodnie z następującymi etapami:
 - Odsuń się od kosiarki, by wyciągnąć ramię w całość długości.
 - Upewnij się, że zachowujesz równowagę i masz dobre oparcie na nogi.
 - Pociągnij powoli kosiarkę do połowy odległości od siebie.
 - Powtórz czynności w razie potrzeby.
- Nie używaj urządzenia pod wpływem alkoholu lub narkotyków.
- Nigdy nie używaj urządzenia z uszkodzonymi osłonami, bez zamontowanego pojemnika na trawę, bez zamontowanej osłony przeciwkamiennej lub innych elementów ochronnych.
- Zachowaj czujność - patrz na to, co robisz. Kieruj się zdrowym rozsądkiem. Nie używaj kosiarki do trawy, kiedy jesteś zmęczony.
- Uchwyt sterujący silnika/ostrza jest mechanizmem zabezpieczającym. Nigdy nie próbuj obchodzić jego działania. Mechanizm ten będzie mógł wtedy działać, co może spowodować obrażenia na skutek dotknięcia ruchomego ostrza. Uchwyt sterujący silnika/ostrza musi swobodnie działać w dwóch kierunkach i automatycznie powracać do wyłączonej pozycji, gdy jest zwolniony.
- Unikaj niebezpiecznych środowisk - Nie zostawiaj kosiarki w miejscach wilgotnych lub mokrych.
- Nie używaj podczas deszczu.
- Upewnij się zawsze, że masz punkt oparcia. Poślizgnięcie się i upadek mogą spowodować poważne obrażenia. Jeśli czujesz, że tracisz oparcie, zwolnij natychmiast uchwyt sterujący silnika/ostrza a ostrze przestanie się obracać w ciągu trzech sekund.
- Zatrzymaj ostrze, gdy przechodzi przez żwirowe podłoże, chodniki lub drogi.
- Jeśli sprzęt zacznie nietypowo wibrować, wyłącz silnik i poszukaj natychmiast przyczyny. Wibracje stanowią zazwyczaj objaw usterek.
 - Sprawdź, czy nie jest uszkodzone;
 - Wymień lub napraw uszkodzone części, które mogą być wymienione przez użytkownika;
 - Sprawdź, czy nie ma poluzowanych części.
- Nigdy nie używaj kosiarki bez właściwej osłony tylnej, pokrywy wyladowania, worka na trawę, przysłony do mulczowania, bocznego wylotu, uchwytu sterującego silnika/ostrza lub innych elementów zabezpieczających.. Nigdy nie używaj kosiarki z uszkodzonymi elementami zabezpieczającymi. Nieprzestrzeganie tego zalecenia może spowodować poważne obrażenia.
- Jeśli wystąpi jakaś sytuacja nieopisana w niniejszej instrukcji, zachowaj ostrożność i użyj odpowiedniego osądzenia. Skontaktuj się z punktem obsługi klienta EGO.
- Używaj wyłącznie akumulatorów i ładowarek wymienionych poniżej:

KOMPLET AKUMULATORA	ŁADOWARKA
BA1120E, BA2240E, BA2800, BA3360, BA4200	CH5500E, CH2100E

- Akumulator musi być wyjęty z urządzenia przed wyrzuceniem.
- Należy bezpiecznie wyrzucać akumulator.

OBŚLUGA NA ZBOCZACH:

Zbocza są głównym czynnikiem poślizgnięć i upadków, które mogą powodować poważne obrażenia. Upewnij się zawsze, że masz punkt oparcia na zboczach. Obsługa na zboczach wymaga dodatkowej ostrożności. Jeśli nie czujesz się pewnie na zboczach, nie koś tam trawy.

Wykonaj następujące czynności:

- Koś naprzeciw zbocza, nigdy z góry na dół ani z dołu do góry. Zachowaj szczególną ostrożność przy zmianie kierunku na zboczu.
- Uważaj na dziury, skały, ukryte przedmioty lub wyboje, które mogą spowodować poślizgnięcie lub potknięcie. Wysoka trawa maskuje przeszkody.

Nie wykonuj następujących czynności:

- Nie koś w pobliżu pochytych powierzchni, rowów i nasypów, możesz stracić oparcie lub równowagę.
- Nie należy kosić zboczy o nachyleniu większym niż 15 stopni.
- Nie koś mokrej trawy. Niestabilne oparcie może spowodować poślizgnięcie.

KONTROLA

⚠ OSTRZEŻENIE: Elementy worka na trawę, pokrywa wyładowania, boczny wylot, przysłona do mulczowania, osłona tylna mogą się zużyć i uszkodzić, co spowoduje odsłonięcie ruchomych części lub wyrzucanie przedmiotów i może zwiększyć zagrożenie. Dla bezpieczeństwa kontroluj regularnie wszystkie elementy i natychmiast wymień uszkodzone części na identyczne, wymienione w niniejszej instrukcji. Skontaktuj się z punktem obsługi klienta EGO lub najbliższym punktem serwisowym EGO. Naprawy i wymiana powinny być wykonane przez serwisanta z odpowiednimi kwalifikacjami!

- Jeśli przelącznik wewnętrznego zabezpieczenia przeciwprzełączeniowego włącza się często, skontaktuj się z punktem obsługi klienta EGO lub najbliższy punkt serwisowy EGO.
- Nie czyść kosiarki węžem; woda nie powinna się dostać do silnika ani przewodów elektrycznych.

- Wyjmij klucz i przechowuj wyłączoną kosiarkę wewnątrz, gdy nie jest używana. Odczekaj, aż silnik ochłodzi się przed przechowywaniem. Przechowuj kosiarkę do trawy w suchym wysoko położonym lub zamkniętym pomieszczeniu, poza zasięgiem dzieci.
- Podczas prac serwisowych używaj wyłącznie części zamiennych identycznych z częściami wymienionymi w niniejszej instrukcji. Stosowanie części, które nie spełniają oryginalnych specyfikacji sprzętu może spowodować niewłaściwe działanie i narazić na niebezpieczeństwo.
- Wyjmij lub odłącz akumulator przed przystąpieniem do czynności serwisowych, czyszczenia lub wyjmowania materiału z kosiarki.
- Przestrzegaj instrukcji dotyczących wymiany akcesoriów.
- Pilnuj, aby uchwyty były suche, czyste i pozbawione śladów oleju i smarów.
- Aby zmniejszyć ryzyko pożaru, pilnuj, by pokrywa silnika nie była pokryta trawą, liśćmi lub zanieczyszczeniami.
- Sprawdzaj regularnie, czy śruby mocujące ostrzy i silnika są właściwie przykręcone. Sprawdzaj wizualnie, czy ostrza nie są uszkodzone (np. wygięte, pęknięte lub zużyte). Wymień ostrza wyłącznie na identyczne ostrza, wymienione w niniejszej instrukcji.
- Dbaj o kosiarkę - pilnuj, by ostrza były ostre i czyste dla lepszego i bezpiecznego działania. Ostrza kosiarki są ostre i mogą skaleczyć. Okręć ostrza lub włóż rękawice i zachowaj szczególną ostrożność przy czynnościach konserwacyjnych.
- Nigdy nie wyjmuj i nie manipuluj elementów zabezpieczających, regularnie sprawdzaj ich właściwe działanie. Nigdy nie wykonuj czynności przeszkadzających w wykonywaniu oryginalnych funkcji elementów zabezpieczających lub zmniejszających zabezpieczenie, które mają one zapewnąć.
- Zawsze wyłączaj silnik przed regulacji kół lub ustawianiem wysokości cięcia.
- Po uderzeniu w obcy przedmiot, wyłącz silnik, wyjmij klucz i dokładnie sprawdź, czy kosiarka nie została uszkodzona. Napraw uszkodzenie przed włączeniem kosiarki.
- Dbaj i wymieniaj plakietki z informacjami o bezpieczeństwie i instrukcjami, w razie potrzeby.. Skontaktuj się z punktem obsługi klienta EGO lub najbliższym punktem serwisowym EGO. Naprawy i wymiana powinny być wykonane przez serwisanta z odpowiednimi kwalifikacjami!
- **INSTRUKCJE TE NALEŻY ZACHOWAĆ.** Konsultuj je często i korzystaj z nich, by informować innych użytkowników tego urządzenia. Jeśli pożywasz urządzenie innej osobie, przekaz jej również instrukcje obsługi, by uniknąć niewłaściwego używania urządzenia i obrażeń.

OBSŁUGA I KONSERWACJA AKUMULATORA

- Aby chronić zasoby naturalne, należy utylizować lub wyrzucać akumulator we właściwy sposób. Urządzenie to zawiera litowo-jonowy akumulator. Miejscowe lub krajowe przepisy zabraniają wyrzucania baterii litowo-jonowych ze zwykłymi śmieciami. Skontaktuj się z miejscowymi władzami, w celu uzyskania informacji o dostępnych opcjach wyrzucania i/lub utylizacji.
- Przed wyjęciem akumulatora, w celu jego wyrzucenia lub utylizacji, zaklej jego wyprowadzenia wytrzymałą taśmą klejącą. Nie próbuj niszczyć lub rozkładać akumulatora lub wyjmować jakiegokolwiek jego elementu. Litowo-jonowe baterie powinny być utylizowane lub wyrzucone w odpowiednim miejscu. Nigdy nie dotykaj wyprowadzeń metalowymi przedmiotami i/lub częściami ciała, gdyż może to spowodować krótkie spięcie. Przechowuj z dala od dzieci. Nieprzestrzeganie tych ostrzeżeń może spowodować pożar lub/i poważne obrażenia.
- **W TRUDNYCH WARUNKACH Z BATERII MOŻE WYDOSTAWAĆ SIĘ PŁYN; UNIKAĆ KONTAKTU. W RAZIE PRZYPADKOWEGO KONTAKTU ZE SKÓRĄ OBFICIE PRZEMYJ WODĄ. JEŚLI PŁYN DOSTANIE SIĘ DO OCZU, ZASIĘ GNIJ PORADY LEKARZA.** Płyn, który wypłynął z baterii może spowodować podrażnienia lub oparzenia.

Gwarantowany poziom mocy akustycznej L_{WA} (zgodnie z 2000/14/EC)	92 dB(A)	92 dB(A)	
Drgania a_n $K=1,5 \text{ m/s}^2$	Uchwyt lewy	$\leq 2,5 \text{ m/s}^2$	$\leq 2,5 \text{ m/s}^2$
	Uchwyt prawy	$\leq 2,5 \text{ m/s}^2$	$\leq 2,5 \text{ m/s}^2$
Hamulec ostrza	Tak	Tak	

- Deklarowana całkowita wartość vibracji została zmierzona zgodnie ze standardowymi metodami testowania i może być używana do porównywania różnych narzędzi;
- Deklarowana całkowita wartość vibracji może również być używana do wstępnej oceny narażenia na drgania.

UWAGA: Emisja dźwięku podczas rzeczywistego stosowania elektronarzędzia może różnić się od deklarowanej wartości, w której narzędzie jest używane; aby się zabezpieczyć, użytkownik powinien nosić rękawice i ochronniki na uszy w rzeczywistych warunkach użytkowania.

LISTA ELEMENTÓW W OPAKOWANIU

NAZWA CZĘŚCI	ILOŚĆ
Kosiarka do trawy	1
Worek na trawę	1
Rama pojemnika na trawę	1
Przysłona do mulczowania	1
Klucz zabezpieczający	2
Instrukcja użytkownika	1

SPECYFIKACJE

Numer modelu	LM2120E	LM2120E-SP
System samonapędzający	Nr	Tak
Napięcie	56 V	56 V
Prędkość bez obciążenia	2800 /min	2800 /min
Wysokość cięcia	28-94 mm	28-94 mm
Pozycje wysokości cięcia	6	6
Rozmiar pokryw	53 cm	53 cm
Szerokość cięcia	52 cm	52 cm
Pojemność pojemnika na ściętą trawę	70 L	70 L
Ciężar kosiarki (bez akumulatora)	22,10 kg	24,55 kg
Model ostrza	AB2101	AB2101
Mierzony poziom mocy akustycznej L_{WA} $K=2 \text{ dB(A)}$	89,9 dB(A)	89,5 dB(A)
Poziom ciśnienia dźwięku przy uchu operatora L_{PA} $K=3 \text{ dB(A)}$	87 dB(A)	87 dB(A)

OPIS

ZAPOZNAJ SIĘ ZE SWOJĄ KOSIARKĄ (Rys. A i B i C)

1. Przycisk bezpieczeństwa
2. Spust samonapędzania
3. Zacisk blokujący uchwyt
4. Tylne drzewiczki wyrzutu trawy
5. Uchwyt tylny
6. Pokrywa akumulatora
7. Reflektory LED
8. Uchwyt przedni
9. Przednie koło
10. Dźwignia regulacji wysokości cięcia
11. Pokrywa kosiarki
12. Tylne koło

13. Worek na trawę
14. Dźwignia szybkiego ustawiania
15. Boczna szyna
16. Samonapędzana dźwignia kontroli prędkości
17. Przełącznik sterowania (dźwignia przełącznika)
18. Uchwyt
19. Przysłona do mulczowania
20. Podpora do przechowywania w pozycji stojącej
21. Osłona tylna
22. Przycisk do reflektorów LED
23. Wskaźnik zasilania

OBSŁUGA

MONTAŻ WORKA NA TRAWĘ

- 1) Wsuń worek na trawę do ramki (Rys. D).
- 2) Zamontuj górne zaciski na ramie (Rys. E), a następnie zamontuj dwa boczne zaciski. Zamontuj na końcu dolny zacisk.
- 3) Całkowicie złożony worek na trawę jest przedstawiony na Rys. F.

UWAGA: Materiał worka podlega zużyciu przy normalnym stosowaniu. Aby zmniejszyć ryzyko obrażeń często kontroluj montaż worka i wymień, jeśli znajdziesz oznaki zużycia lub pogorszenia stanu. Używaj tylko worków na trawę produkowanych dla tej kosiarki.

REGULACJA SKŁADANEGO UCHWYTU

⚠ OSTRZEŻENIE: Nie próbuj uruchamiać kosiarki, jeśli uchwyt nie jest zablokowany w jednej z trzech zaprogramowanych pozycji (GÓRNE POŁOŻENIE DZIAŁANIA, ŚREDNIE POŁOŻENIE DZIAŁANIA lub DOLNE POŁOŻENIE DZIAŁANIA).

Kosiarka jest dostarczona z uchwytem w ZABLOKOWANYM POŁOŻENIU DO PRZECHOWYWANIA (Rys. G).

- 1) Wciśnij i przytrzymaj dźwignię szybkiego ustawiania, by zwolnić uchwyt z ZABLOKOWANEGO POŁOŻENIA DO PRZECHOWYWANIA (Rys. H-1).
 - 2) Podnieś uchwyt ze złożonego położenia i zwolnij dźwignię. Przekręć delikatnie uchwyt do góry na wysokość ucha i włóż sworzeń blokujący w jedną z różnych pozycji, przedstawionych na Rys. H.
- POŁOŻENIE DO WYJMOWANIA/MOCOWANIA WORKA NA TRAWĘ (Rys. H-2).
 - GÓRNE POŁOŻENIE DZIAŁANIA (Rys. H-3).
 - ŚREDNIE POŁOŻENIE DZIAŁANIA (Rys. H-4).

- DOLNE POŁOŻENIE DZIAŁANIA (Rys. H-5).

MOCOWANIE/WYJMOWANIE WORKA NA TRAWĘ/ PRZYSŁONY DO MULCZOWANIA

⚠ OSTRZEŻENIE: Przed regulacją kosiarki zawsze wyłącz silnik, wyjmij klucz zabezpieczający i odczekaj, aż ostrze przestanie się obracać.

UWAGA: Przymocuj akcesoria na kosiarce przed koszeniem.

- Mocowanie/Wyjmowanie worka na trawę (Rys. I)

UWAGA: Wyjmij zamontowaną przysłonę do mulczowania z kosiarki przed zamocowaniem worka na trawę.

- Mocowanie/Wyjmowanie przysłony do mulczowania (Rys. J)

REGULACJA WYSOKOŚCI CIĘCIA (Rys. K)

⚠ OSTRZEŻENIE: Nie zbliżaj nóg do pokrywy, gdy ustawiasz wysokość. Kosiarkę można ustawić na 5 wysokości cięcia między 28 mm i 94 mm. Wybierz właściwą wysokość cięcia w zależności od rodzaju i warunków trawy.

UWAGA: Przy poruszaniu urządzeniem upewnij się, że wysokość cięcia jest ustawiona na 3 lub więcej. Nieprzestrzeżenie tego zalecenia może spowodować uszkodzenie ostrza.

MONTEWANIE/WYJMOWANIE AKUMULATORA (Rys. L)

Naładuj przed użyciem.

⚠ OSTRZEŻENIE: Jeśli jakiegokolwiek części są złamane lub ich nie ma, nie próbuj montować akumulatora na kosiarce lub używać kosiarki do chwili, gdy wszystkie uszkodzone lub brakujące części zostaną wymienione. Nieprzestrzeżenie tego zalecenia może spowodować poważne obrażenia.

- **Montowanie**
Wsuń akumulator do pojemnika na akumulator, aż usłyszysz kliknięcie.
- **Wyjmowanie**
Wciśnij przycisk zwalnający akumulator w pojemniku.
Opis części z Rys. L poniżej:

L-1	Szczelina na klucz zabezpieczający
L-2	Klucz zabezpieczający
L-3	Przycisk zwalnający akumulator

UWAGA: Upewnij się, że zatrask na kosiarce zablokuje się we właściwej pozycji i że akumulator jest zablokowany w kosiarce.

URUCHAMIANIE/WYŁĄCZANIE KOSIARKI

⚠️ OSTRZEŻENIE: Stosowanie kosiarek do trawy może spowodować dostanie się obcych przedmiotów do oczu, co może spowodować poważne obrażenia oczu. Zawsze noś okulary ochronne podczas obsługi kosiarce lub podczas jej ustawiania lub naprawiania.

⚠️ OSTRZEŻENIE: Nie używaj kosiarce podczas deszczu.

⚠️ OSTRZEŻENIE: Upewnij się, że inne osoby oraz zwierzęta pozostają w odległości co najmniej 30m od włączanej kosiarce.

⚠️ OSTRZEŻENIE: Ostrza ruszają się przez kilka sekund po wyłączeniu kosiarce. Odczekaj, aż silnik/ ostrza przestaną się obracać przed ponownym uruchomieniem. Nie włączaj i nie włączaj kosiarce w krótkich odstępach.

UWAGA: Silnika nie można uruchomić dopóki:

- Uchwyty nie jest zablokowany w jednym z położenia działania
- Boczne szyny nie są całkowicie rozłożone (Rys. M).
- Oba zielone zaciski blokowania uchwytu nie są całkowicie zamknięte (Rys. N).

⚠️ OSTRZEŻENIE: Nie próbuj przeszkadzać w działaniu przycisku bezpieczeństwa i przełącznika sterowania.

Uruchomienie (Rys. P)

- 1) Zamocuj akumulator w kosiarce, włóż klucz bezpieczeństwa do szczeliny i zamknij pokrywę akumulatora (Rys. L).
- 2) Stosownie do Rys. O, wciśnij przycisk bezpieczeństwa.
- 3) Gdy przycisk jest wciśnięty, pociągnij przełącznik sterowania w górę do uchwytu i zwolnij przycisk.

Zatrzymanie (Rys. Q)

- 1) Zwolnij przełącznik sterowania.
- 2) Elektroniczny hamulec w mechanizmie automatycznego hamowania zatrzyma obroty ostrzy w ciągu 3 sekund od zwolnienia przełącznika.

SYSTEM SAMONAPĘDZAJĄCY O ZMIENNEJ PRĘDKOŚCI

Kosiarce LM2120E-SP jest wyposażona w funkcję samonapędzania o zmiennej prędkości. System jest niezależny od przełącznika ON/Off ostrza, i nie zależy od obrotów ostrza.

Aby używać system bez obrotów ostrzy, pociągnij za spust samonapędzania na uchwycie.

Aby wyłączyć samonapędzanie, zwolnij spust.

System ma zmienne prędkości. Aby zwiększyć prędkość, przesun dźwignię samonapędzania kontroli prędkości do przodu. Aby zwiększyć prędkość, przesun dźwignię samonapędzania kontroli prędkości do tyłu (Rys. R).

Działanie z obracającym ostrzem do cięcia:

1. Uruchoń kosiarce.
2. Trzymając lewą ręką przełącznik sterujący naprzeciw uchwytu, pociągnij prawą ręką spust samonapędzający do uchwytu.
3. Przytrzymaj przełącznik sterujący i spust samonapędzający jednocześnie naprzeciw uchwytu prawą ręką a lewą ręką ustaw dźwignię kontroli prędkości, by wybrać żadaną prędkość.

uwaga: Podczas cięcia objechanie przedmiotu, np. drzewa i roślin, może być czasem łatwiejsze z wyłączonym samonapędzaniem.

⚠️ OSTRZEŻENIE: Aby zmniejszyć ryzyko obrażeń, nigdy nie próbuj przeszkadzać w działaniu przełącznika lub systemu samonapędzającego. Używaj samonapędzania tylko do celów, do których zostało przeznaczone.

ROBOCZE KONTROLKI ŚWIETLNE LED W KOSIARCE (Rys. A-7)

Wciśnij przycisk (Rys. C-22), by włączyć/wyłączyć robocze kontrolki świetlne LED z przodu pojemnika na akumulator.

WSKAŹNIK MOCY NA KOSIARCE (Rys. S)

Kosiarce jest wyposażona we wskaźnik mocy, by wskazywać poziom akumulatora oraz stan roboczy kosiarce. Wskaźnik mocy zaświeci się, gdy ostrze się obraca lub gdy robocze kontrolki świetlne LED są włączone.

Wskaźnik mocy na kosiarce	Znaczenie	Działanie
Świecący zielony	Kosiarce działa właściwie; akumulator jest naładowany co najmniej do 15%	Nie dotyczy
Świecący czerwony	Slaba bateria	Zatrzymaj kosiarce i naładuj akumulator
Migający czerwony	Bateria jest prawie wyczerpana	Zatrzymaj kosiarce i naładuj akumulator

Świecący pomarańczowy	Kosiarka lub akumulator są przegrzane	Wyjmij akumulator z kosiarki, ustaw je w cieniu i odczekaj co najmniej 15 minut, aż ostygną.
Migający pomarańczowy	Kosiarka jest przegrzana	Zwolnij tempo lub zwiększ wysokość cięcia, by zmniejszyć obciążenie.

ZABEZPIECZENIE PRZECIWOBCIĄŻENIOWE KOSIARKI

Aby zapobiec obciążeniom, nie próbuj ciąć zbyt dużo trawy za jednym razem. Zwolnij tempo koszenia lub zwiększ wysokość cięcia.

Kosiarka jest wyposażona w wewnętrzne zabezpieczenie przeciw obciążeniu systemu. Gdy kosiarka jest przeciążona, silnik wyłączy się a wskaźnik mocy zacznie migać na pomarańczowo. Wyjmij akumulator z kosiarki. Sprawdź, czy pod pokrywą nie nagromadziła się trawa i usuń w razie potrzeby, następnie wóź akumulator i uruchom ponownie kosiarkę.

ZABEZPIECZENIE PRZED ROZGRZANIEM AKUMULATORA

Akumulator rozgrzewa się w trakcie działania. Ciepło rozprowadza się wolniej przy wysokich temperaturach. Jeśli temperatura akumulatora przekroczy 70°C w trakcie działania, układ zabezpieczający wyłączy natychmiast kosiarkę, by chronić akumulator przed uszkodzeniem. Wskaźnik mocy na kosiarce będzie świecił na pomarańczowo. Zwolnij przełącznik sterujący, odczekaj, aż akumulator ochłodzi do około 67°C a następnie uruchom kosiarkę.

KONSERWACJA

⚠ OSTRZEŻENIE: Aby uniknąć poważnym obrażeniem, zawsze wyjmij klucz zabezpieczający z kosiarki przed czyszczeniem, czynnościami konserwacyjnymi lub transportem kosiarki.

⚠ OSTRZEŻENIE: Podczas prac serwisowych używaj wyłącznie części zamiennych identycznych z oryginalnymi. Stosowanie innych części stwarza zagrożenie i może spowodować uszkodzenie produktu. Aby zapewnić bezpieczeństwo i niezawodność, wszystkie naprawy i wymiany powinny być wykonane przez serwisanta z odpowiednimi kwalifikacjami.

CZYSZCZENIE KOSIARKI

Spód pokrywy kosiarki powinien być czyszczony po każdym użyciu, gdyż resztki trawy, liście, brud i inne substancje mogą się nagromadzić.

Usuń nagromadzoną trawę i liście z wału napędowego i wokół niego (tylko LM2120E-SP) i z wentylatora silnika (bez użycia wody). Czyść kosiarkę wilgotną ściereczką.

ZDEJMOWANIE/ZAKŁADANIE OSTRZA

⚠ OSTRZEŻENIE: Zawsze chroń ręce nakładając grube rękawice lub owijając krawędzie tnące ścierkami lub innymi tkaninami przy czynnościach konserwacyjnych na ostrzach kosiarki. Zawsze wyjmij akumulator do czynności konserwacyjnych i transportu kosiarki.

■ Zdejmowanie ostrza

Zgodnie z Rys. T.

UWAGA: Jeśli śruba obraca się z wałem silnika, gdy jest poluzowana, przekręć ręcznie wentylator, by wyrównać otwory w wentylatorze z otworami w ostrzu i umieść inny trzpień metalowy w wyrównanych otworach (Rys. U).

■ Zakładanie ostrza

Zgodnie z montażem przedstawionym na Rys. V, z łopatkami wentylatora ustawionymi w kierunku pokrywy i nadrukowaną stroną ostrza na zewnątrz, wyrównaj otwory wentylator z otworami ostrza (Rys. W) a następnie przykręć ostrze zgodnie z Rys. X.

Opis części z Rys. U i W poniżej:

U-1	Stabilizator 1	V-2	Kołnierz wewnętrzny
U-2	Stabilizator 2	V-3	Ostrze
U-3	Klucz 14 mm	V-4	Kołnierz zewnętrzny
V-1	Wentylator	V-5	Śruba

UWAGA: Zalecany moment siły podczas dokręcania śrub ostrza wynosi 49-59Nm.

PRZECHOWYWANIE KOSIARKI

- Wyjmij akumulator z kosiarki i przechowuj ją w chłodnym, suchym i czystym pomieszczeniu. Nie przechowuj w pobliżu materiałów korodujących, takich jak nawóz lub sól kamienna.
- Przechowuj kosiarkę w zadaszonym, zamkniętym pomieszczeniu, chłodnym i suchym i poza zasięgiem dzieci.
- Nie przykrywaj kosiarki plastikową plachtą. Plachty plastikowe wchłaniają wilgoć z otoczenia kosiarki, co może spowodować rdzewienie i korozję.
- Kosiarkę można przechowywać w pozycji pionowej lub poziomej. (Rys. Y)

⚠ OSTRZEŻENIE: Jeśli kosiarka zaczyna się przewracać z pozycji pionowej, grozi to uszkodzeniem kosiarki i obrażeniami osób. Zawsze przechowuj kosiarkę w stabilnej pozycji i poza zasięgiem dzieci, gdy jest w pozycji pionowej. W miarę możliwości przechowuj ją w pozycji poziomej.

Ochrona środowiska



Nie wyrzucaj elektrycznego sprzętu, ładowarek do baterii i baterii/akumulatorów z odpadami gospodarstwa domowego!

Zgodnie z dyrektywą europejską 2012/19/EG, sprzęt elektryczny i elektroniczny, który nie nadaje się już do użytku i zgodnie z europejską dyrektywą 2006/66/WG, wadliwe lub zużyte baterie i akumulatory muszą być zbierane oddzielnie.

Wyrzucenie urządzeń elektrycznych na wysypisko grozi wyciekami niebezpiecznych substancji do wód gruntowych i przedostaniem się ich do łańcucha pokarmowego, ze szkodą dla zdrowia i jakości życia użytkownika.

DEKLARACJA ZGODNOŚCI WE

Producent, EGO EUROPE GMBH

Wahlwiesenstrasse 1, D-71711 Steinheim an der Murr
Deutschland

oświadcza, że produkt kosiarka bezprzewodowa z **akumulatorem litowo-jonowym 56V LM2120E/LM2120E-SP** spełnia zasadnicze wymaganie w zakresie zdrowia i bezpieczeństwa zawartych w następujących dyrektywach:

2006/42/WE, 2014/30/UE, 2011/65/UE, 2000/14/WE

Normach i specyfikacjach, o których mowa w:

EN 60335-1, EN 60335-2-77, EN 62233, EN 55014-1, EN 55014-2

	LM2120E	LM2120E-SP
Mierzony poziom mocy akustycznej:	89,9 dB(A)	89,5 dB(A)
Gwarantowany poziom mocy akustycznej:	92 dB(A)	92 dB(A)

Procedurę oceny zgodności z Załącznika VI przeprowadzono zgodnie z dyrektywą 2000/14/WE.

Powiadomiony organ: Société Nationale de Certification et d'Homologation

Numer powiadomionego organu: 0499

KEES VAN DER SPEK
TUINMACHINES * STOLWIJK

Peter Melrose
Dyrektor zarządzający
EGO Europe GmbH

Dong Jianxun
Dyrektor ds Jakości w Chevron

*(upoważniony przedstawiciel CHEVRON i kierownik ds. technicznych)

01/09/2016

ROZWIĄZYWANIE PROBLEMÓW

⚠ OSTRZEŻENIE: Zawsze wyjmij klucz zabezpieczający i akumulator do czynności konserwacyjnych i transportu kosiarki. Zawsze chroń ręce nakładając grube rękawice lub owijając krawędzie tnące ścierkami lub innymi tkaninami przy czynnościach konserwacyjnych na ostrzach kosiarki.

PROBLEM	PRZYCZYNA	ROZWIĄZANIE
Газонокосилка не запускается	<ul style="list-style-type: none"> ■ Akumulator jest wyczerpany. ■ Akumulator nie jest zamontowany w pojemniku na baterie. ■ Układ akumulatora lub kosiarki jest przegrzany. (wskaźnik mocy na kosiarce będzie świecił na pomarańczowo przez 10 sekund) ■ Boczne szyny nie są rozłożone na maksymalną długość i zaciski nie są zablokowane. ■ Uchwyt nie jest ustawiony w jednym z dwóch położenia działania. ■ Pokrywa kosiarki jest zapchana trawą i zanieczyszczeniami. 	<ul style="list-style-type: none"> ■ Naładuj akumulator. ■ Wsuń akumulator do pojemnika na akumulator, aż usłyszysz kliknięcie. ■ Odczekaj, aż akumulator lub kosiarka ochłodną do temperatury poniżej 67°C. ■ Rozłóż całkowicie uchwyt i zablokuj zaciski. ■ Ustaw uchwyt w jednym z dwóch położenia działania. ■ Wyczyść pokrywę kosiarki i upewnij się, że ostrza mogą swobodnie się obracać.
Kosiarka tnie nierównomiernie.	<ul style="list-style-type: none"> ■ Ostrze jest tępe. ■ Wysokość cięcia nie jest właściwie ustawiona. ■ Ostrze jest niewłaściwie zamontowane. 	<ul style="list-style-type: none"> ■ Naostrz lub wymień ostrze. ■ Ustaw wysokość cięcia na wyższe. ■ Zamontuj ostrze zgodnie z rozdziałem "ZAKŁADANIE OSTRZA" w niniejszej instrukcji.
Kosiarka zatrzymuje się podczas koszenia.	<ul style="list-style-type: none"> ■ Akumulator jest wyczerpany. ■ Kosiarka jest przeciążona. ■ Pokrywa kosiarki jest zapchana trawą i zanieczyszczeniami. ■ Układ akumulatora lub kosiarki jest przegrzany. (wskaźnik mocy na kosiarce będzie świecił na pomarańczowo przez 10 sekund) ■ Boczne szyny są lekko się złożyły na skutek siły pchania działającej na uchwyt. 	<ul style="list-style-type: none"> ■ Naładuj akumulator. ■ Zwiększ wysokość cięcia lub zwolnij tempo koszenia. ■ Usuń nagromadzone substancje z pokrywy kosiarki. Zwiększ wysokość cięcia lub tnij wąskim pokosem. ■ Odczekaj, aż akumulator lub kosiarka ochłodną do temperatury poniżej 67°C. ■ Odblokuj zaciski. Rozłóż całkowicie boczne szyny i ponownie zablokuj zaciski,

PROBLEM	PRZYCZYNA	ROZWIĄZANIE
Kosiarka niewłaściwie mulczy	<ul style="list-style-type: none"> ■ Przycinana mokra trawa klei się do spodu pokrywy. ■ Kosiarka jest ustawiona na zbyt dużą ilość trawy don cięcia za jednym razem. 	<ul style="list-style-type: none"> ■ Odczekaj, aż trawa wyschnie przed koszeniem. ■ Ustaw wysokość cięcia na wyższe.
Nadmierna wibracja	<ul style="list-style-type: none"> ■ Ostrze tnące jest poluzowane. ■ Ostrze tnące jest niewyważone. ■ Ostrze tnące jest wygięte. ■ Wał silnika jest wygięty. 	<ul style="list-style-type: none"> ■ Przykręć śrubę ostrza. ■ Wyważ ostrze zgodnie z instrukcjami. ■ Wymień ostrze. ■ Skontaktuj się z obsługą klienta.
Zaciski blokujące uchwyt nie mogą być zablokowane	<ul style="list-style-type: none"> ■ Boczne szyny nie są całkowicie rozłożone. 	<ul style="list-style-type: none"> ■ Rozłóż całkowicie boczne szyny i zablokuj zaciski.

GWARANCJA

POLITYKA GWARANCYJNA EGO

W celu zapoznania się z wszystkimi warunkami polityki gwarancyjnej EGO prosimy odwiedzić stronę egopowerplus.com.

KEES VAN DER SPEK
TUINMACHINES ★ STOLWIJK

PŘEČTĚTE SI VŠECHNY POKYNY!



PŘEČTĚTE SI NÁVOD K OBSLUZE

⚠ Zbytkové riziko! Lidé s elektronickými přístroji, jako jsou např. kardiostimulátory, by se měli před použitím toho výrobku poradit se svým lékařem. Použití elektrického zařízení v těsné blízkosti kardiostimulátoru může způsobit narušení činnosti nebo poruchu kardiostimulátoru.

⚠ VAROVÁNÍ: Z důvodu bezpečnosti by měl všechny opravy a výměny provádět kvalifikovaný servisní technik.

Účel použití a předpokládané nesprávné použití:

Výrobek je určen k sekání trávy pouze v soukromých zahradách. Nesmí se používat k sekání neobvykle vysoké, suché nebo mokré trávy, např. pícní trávy; nebo k drcení listí. Výrobek se smí používat pouze k vyhrazenému účelu. Jakékoliv jiné použití se považuje za nesprávné.

BEZPEČNOSTNÍ SYMBOLY

Účelem bezpečnostních symbolů je upoutat vaši pozornost k případným nebezpečím. Bezpečnostní symboly a jejich vysvětlení vyžadují vaši zvýšenou pozornost a porozumění. Výstražné symboly samy o sobě nevykládají žádné nebezpečí. Pokyny a varování nejsou náhradou vhodných opatření pro prevenci úrazů.

⚠ VAROVÁNÍ: Před použitím tohoto nástroje si přečtěte a seznamte se se všemi bezpečnostními pokyny v tomto návodu k obsluze včetně veškerých výstražných symbolů, jako např. „**NEBEZPEČÍ**“, „**VAROVÁNÍ**“ nebo „**UPOZORNĚNÍ**“. Nedodržení níže uvedených pokynů může mít za následek úraz elektrickým proudem, požár anebo vážná poranění osob.

VÝZNAM SYMBOLŮ

BEZPEČNOSTNÍ VÝSTRAŽNÉ SYMBOLY: Upozorňují na **NEBEZPEČÍ**, **VAROVÁNÍ**, nebo **UPOZORNĚNÍ**. Lze je používat ve spojení s jinými symboly nebo piktogramy.

⚠ VAROVÁNÍ: Při použití elektrického nářadí může dojít k vymrštění cizích těles do očí, což může způsobit jejich závažné poškození. Před použitím elektrického nářadí si vždy nasadte ochranné brýle, ochranné brýle s bočními kryty nebo v případě potřeby obličejový štít. Na brýle nebo standardní ochranné brýle s bočními kryty doporučujeme použít ochrannou masku.

BEZPEČNOSTNÍ POKYNY

Na této stránce jsou zobrazeny a popsány bezpečnostní symboly, které se mohou objevit na výrobku. Před montáží a provozem si přečtěte, seznamte se a dodržujte veškeré pokyny ke stroji.

	Bezpečnostní upozornění	Bezpečnostní opatření týkající se vaší bezpečnosti.
	Používejte ochranu očí	Vždy noste ochranné brýle, ochranné brýle s bočními kryty nebo obličejový štít při použití tohoto výrobku.
	Přečtěte si návod k obsluze	Z důvodu snížení rizika úrazu si musí uživatel před použitím tohoto výrobku přečíst a seznámit se s návodem k obsluze.
	Pozor na ostré nože.	Nože se otáčí i po vypnutí motoru –před údržbou odstraňte blokovací zařízení. Před nastavením nebo čištěním sekačky vypněte a vyjměte vyjímatelný akumulátor (nebo blokovací zařízení).
	Udržujte ostatní osoby v bezpečné vzdálenosti	Když sekačku používáte, udržujte od ostatních osob a domácích zvířat bezpečnou vzdálenost aspoň 30m.
	Konstrukce třídy II	Dvojitě izolovaná konstrukce.
IPX4	Symbol IP	Ochrana proti vniknutí vody stupeň 4
V	Voltů	Napětí
A	Ampérů	Proud

CZ

Hz	Hertzů	Frekvence (počet cyklů za sekundu)
W	Wattů	Výkon
min	Minut	Doba
~	Střídavý proud	Druh proudu
≡	Stejnoseměrný proud	Druh nebo vlastnosti proudu
n_0	Rychlost při chodu naprázdno	Otáčky při chodu naprázdno
.../min	Za minutu	Otáčky za minutu

BEZPEČNOSTNÍ ZÁSADY PRO AKUMULÁTOROVOU SEKAČKU NA TRÁVU

⚠ NEBEZPEČÍ: Tento stroj byl zkonstruován k použití podle zásad pro bezpečný provoz, které jsou součástí tohoto návodu. Stejně jako u jiných typů elektrických zařízení, může vést nedbalost a chyba obsluhy k vážnému úrazu. Tento stroj může poranit ruce, nohy a vymrštit různé předměty. Nedodržení všech bezpečnostních pokynů může vést k vážnému zranění nebo smrti.

⚠ VAROVÁNÍ: Při používání akumulátorových sekaček na trávu je nutné vždy dodržovat základní bezpečnostní opatření pro zamezení rizika požáru, úrazu elektrickým proudem a úrazu.

DŮLEŽITÉ

ČTĚTE PEČLIVĚ PŘED POUŽITÍM. USCHOVEJTE PRO BUDOUCÍ POUŽITÍ.

BEZPEČNOSTNÍ ZÁSADY PRO AKUMULÁTOROVOU SEKAČKU NA TRÁVU:

POZOR, NEDOTÝKEJTE SE ROTUJÍCÍHO NOŽE!

ŠKOLENÍ

- Pečlivě si přečtěte tyto pokyny. Seznamte se s ovládacími prvky a správným použitím zařízení.
- Děti ani osoby, které se neseznámily s těmito pokyny, nesmí zařízení používat. Místní předpisy mohou omezovat věk obsluhy.
- Nikdy nesekejte trávu, pokud jsou v blízkosti osoby, zejména děti, nebo domácí zvířata.
- Obsluha nebo uživatel je zodpovědný za nehody nebo ohrožení jiných osob nebo jejich majetku.

PŘÍPRAVA

- Při sekání trávy vždy noste pevnou obuv a dlouhé kalhoty.

- Nepoužívejte zařízení, když jste bosí, nebo máte na nohou otevřené sandály. Nenoste volný oděv, nebo takový, ze kterého visí šňůrky nebo pásky.
- Pečlivě zkontrolujte prostor, kde budete zařízení používat, a odstraňte všechny kameny, klacky, dráty, kosti a další cizí tělesa.
- Před použitím vždy vizuálně zkontrolujte nože, šrouby nožů a žací mechanismus, zda nejsou opotřebované nebo poškozené. Opotřebované nebo poškozené nože a šrouby vyměňujte v sadách z důvodu zachování vyvážení. Vyměňte poškozené nebo nečitelné štítky.

POUŽITÍ

- Trávu sekejte pouze za denního světla nebo při dobrém umělém osvětlení.
- Pokud lze, vyhněte se použití zařízení v mokré trávě.
- Ve svahu vždy dbejte na pevný postoj.
- Choďte, nikdy neběhejte.
- S kolovými rotačními sekačkami sekejte trávu ve svahů podélně, nikdy nahoru a dolů.
- Dbejte zvýšené opatrnosti při změně směru svahu.
- Nesekejte příliš prudké svahy.
- Dbejte zvýšené opatrnosti při jízdě vzad, nebo tažení zařízení směrem k vám.
- Zastavte nože, pokud se musí zařízení naklonit z důvodu přepravy při přejíždění jiných než travnatých povrchů a při přepravě zařízení na a z prostoru, kde se má sekat tráva.
- Nikdy nepoužívejte zařízení s vadnými ochrannými kryty, štíty nebo bez bezpečnostních zařízení, např. instalované vychylovače anebo lapače trávy.
- Zapněte motor podle pokynů, nohy udržujte v bezpečné vzdálenosti od nožů.
- Při zapínání motoru zařízení nenaklánějte s výjimkou případů, kdy se musí zařízení naklonit z důvodu spuštění. V takovém případě jej nenaklánějte více, než je nezbytně nutné, a zdvihněte pouze jednu část, která vzdálenější od obsluhy. Před vrácením zařízení na zem dbejte, aby byly obě ruce v provozní poloze.
- Zařízení nespouštějte, když stojíte před výstupním otvorem.
- Nestřepte ruce ani nohy do blízkosti nebo pod rotující části. U rotačních sekaček se vždy vyhýbejte výstupnímu otvoru.
- Nikdy zařízení nezdvíhejte ani nepřenášejte, pokud je motor v chodu.
- Před nastavením nebo čištěním sekačku vypněte, zkontrolujte, že se všechny pohyblivé části zcela zastavily a vyjměte vyjimatelný akumulátor (nebo blokovací zařízení).

- Kdykoliv od stroje odcházíte;
- Před odstraněním překážky a čištěním vývodu;
- Před kontrolou, čištěním nebo prací na zařízení;
- Po nárazu do cizího tělesa. Zkontrolujte, zda nedošlo k poškození zařízení, a v případě potřeby proveďte opravu.
- Pokud začne zařízení neobvykle vibrovat (ihned zkontrolujte):
 - Zkontrolujte, zda není poškozené;
 - Vyměňte nebo opravte všechny poškozené díly;
 - Zkontrolujte, zda jsou všechny díly utažené.

ÚDRŽBA A SKLADOVÁNÍ

- Při nastavení stroje buďte opatrní, aby se vám nezachytily prsty mezi žací nože a pevné díly zařízení.
- Řádně utahujte všechny šrouby a matice pro zajištění bezpečného provozního stavu zařízení.
- Často kontrolujte opotřebení nebo poškození lapače trávy.
- Z důvodu bezpečnosti opotřebované nebo poškozené díly vyměňte.
- Čištění a údržbu nesmějí provádět děti, pokud nejsou pod dohledem dospělé osoby.
- Při servisu nožů nezapomínejte, že i když je napájení vypnuté, mohou se nože stále otáčet.
- U rotačních sekaček dbejte při výměně na použití správného typu řezacího nástroje.

BEZPEČNOST OSOB

Pokud obsluha nedbá přítomnosti dětí, může dojít k tragickým nehodám. Děti se často zajímají o sekačku a sekání trávy. Nechápou hrozící nebezpečí. Nikdy nepředpokládejte, že děti zůstanou na místě, kde jste je naposled spatřili.

- Udržujte děti mimo prostor, kde sekáte trávu, a pod pečlivým dohledem další odpovědné dospělé osoby.
- Dávejte pozor, a vypněte sekačku, pokud dítě vstoupí do daného prostoru.
- Dbejte zvýšené pozornosti, když se blížíte k nepřehledným rohům, dveřím, keřům, stromům nebo jiným objektům, které vám mohou zakrýt výhled na dítě, které může vběhnout pod sekačku.
- Děti musí být pod dozorem, aby si se sekačkou nehrály.
- Při vyjímání akumulátoru ze sekačky ji vždy vypněte. Zastavte nože, pokud se musí zařízení naklonit z důvodu přepravy při přejiždění jiných než travnatých povrchů a při přepravě zařízení na a z prostoru, kde se má sekat tráva.

POUŽITÍ OBECNÉ POUŽITÍ:

- Pečlivě si přečtěte celý tento návod k obsluze, než začnete s montáží stroje. Před použitím si přečtěte, seznámte se a dodržujte všechny pokyny na stroji a v návodu. Před použitím stroje se seznámte se všemi ovládacími prvky a správným použitím. Uchovávejte tento návod na bezpečném místě pro budoucí a pravidelné použití a pro objednávku náhradních dílů.
- Používejte správné zařízení – nepoužívejte sekačku na trávu k jiné práci, než ke které je určena.
- Nepřeceňujte své síly – vždy udržujte pevný postoj a rovnováhu.
- Předměty zasažené nožem sekačky na trávu mohou způsobit vážný úraz. Před každým sekáním trávy trávnik vždy pečlivě prohleďte a odstraňte z něj všechny předměty.
- Před a při pohybu vzad se podívejte za sebe a dolů, zda kolem sebe nemáte malé děti nebo jiné osoby.
- Tento stroj není hračkou. Proto dbejte vždy zvýšené opatrnosti. Vaše sekačka byla navržena tak, aby vykonávala jednu práci: sekala trávu. Nepoužívejte ji k jiným účelům.
- Sekačku na trávu nepřetěžujte – svou práci bude lépe a bezpečněji vykonávat v rámci parametru, pro něž byla určena.
- Před použitím vždy vizuálně zkontrolujte nože, šrouby nožů a žací mechanismus, zda nejsou opotřebované nebo poškozené. Opotřebované nebo poškozené nože, šrouby a další součásti vyměňujte současně z důvodu zachování vývážení. Vyměňte poškozené nebo nečitelné štítky.
- Dbejte zvýšené opatrnosti při jízdě vzad, nebo tažení zařízení směrem k vám.
- Důkladně zkontrolujte prostor, kde budete zařízení používat. Odstraňte kameny, klacky, dráty, hračky a další cizí tělesa, o která můžete zakopnout, nebo je může nabrat a vymrštít nůž. Vymrštěné předměty mohou způsobit vážný úraz. Trasu sekání trávy si naplánujte tak, aby odpadní materiál nesměřoval na cesty, chodníky, ostatní osoby apod. Dbejte také, aby odpadní materiál nesměřoval proti zdem nebo jiným překážkám, ok kterých by se mohl odrazit zpět směrem k obsluze.
- Aby nedošlo ke kontaktu s nožem nebo zranění vymrštěnými předměty, zůstaňte v zóně obsluhy za rukojetí a udržujte při práci děti, ostatní osoby, pomocníky a domácí zvířata v bezpečné vzdálenosti aspoň 30m od sekačky. Pokud někdo vstoupí do prostoru, stroj zastavte.
- Při práci a nastavení nebo opravě vždy noste ochranné brýle, kterými si chráňte oči. Odražené vymrštěné předměty mohou způsobit vážné poranění očí. Vždy noste ochrannou masku nebo protiprachový respirátor, pokud je práce prašná.

- Vhodně se oblékněte – nenoste volný oděv ani šperky. Mohou se zachytit v pohyblivých částech. Při práci venku doporučujeme použít gumové rukavice a boty. Noste pevnou pracovní obuv s drsnou podrážkou a přiléhavé kalhoty a košile. Doporučujeme košile a kalhoty, které zakrývají paže a nohy a boty s ocelovou špičkou. Nikdy stroj nepoužívejte, když jste bosí, v sandálech, kluzkých nebo lehkých (např. plátěných) botách.
- Nestrkejte ruce ani nohy do blízkosti nebo pod šasi sekačky. Kontakt s nožem může zranit ruce a nohy.
- Chybějící nebo poškozený výstupní kryt může vést ke kontaktu s nožem nebo úrazu vymrštěným předmětem.
- K řadě úrazů dochází v důsledku přetažení sekačky přes nohu při pádu způsobeném uklouznutím nebo klopýtnutím. Pokud padáte, nedržte se sekačky; rukojeť okamžitě pusťte.
- Za chůze nikdy netahejte sekačku zpět směrem k sobě. Pokud musíte se sekačkou couvat před zdi nebo překážkou, nejprve se podívejte dolů a za sebe, abyste neklopýtli, a pak postupujte podle následujících kroků:
 - Ustupte od sekačky na délku paže.
 - Zkontrolujte, zda držíte rovnováhu a máte pevný postoj.
 - Pomalu táhněte sekačku zpět ne více než na polovinu vzdálenosti mezi vámi a sekačkou.
 - Tyto kroky opakujte podle potřeby.
- Se sekačkou nepracujte pod vlivem alkoholu nebo jiných návykových látek.
- Nikdy nepoužívejte zařízení s vadnými ochrannými kryty, štíty nebo bez bezpečnostních zařízení, např. instalovaný vychylovače nebo lapače trávy.
- Buďte pozorní – sledujte, co děláte. Buďte soudní. Nepoužívejte sekačku na trávu, pokud jste unavení.
- Rukojeť ovládání motoru/nože je bezpečnostním zařízením. Nikdy se nepokoušejte obejít jeho funkci. Pokud tak učiníte, bezpečnostní zařízení nefunguje a výsledkem může být úraz v důsledku kontaktu s rotujícím nožem. Rukojeť ovládání motoru/nože se musí snadno ovládat v obou směrech automaticky vracet po uvolnění do výchozí polohy.
- Vyhněte se nebezpečnému prostředí – nepoužívejte sekačky na trávu ve vlhkém nebo mokřem prostředí.
- Nepoužívejte ji v dešti.
- Vždy dbejte na pevný postoj. Uklouznutí a pád může způsobit vážný úraz. Pokud máte pocit, že ztrácíte půdu pod nohama, uvolněte okamžitě rukojeť ovládání motoru/nože, nůž se zastaví během tří sekund.
- Nůž zastavte, když přejíždíte šterkové příjezdové cesty, chodníky nebo cesty.
- Pokud začne zařízení nenormálně vibrovat, zastavte motor a okamžitě vyhledejte příčinu. Vibrace obvykle upozorňují na problém.
 - Zkontrolujte, zda není poškozené;
 - Vyměňte nebo opravte všechny uživatelsky vyměnitelné poškozené díly;
 - Zkontrolujte, zda jsou všechny díly utažené.
- Nikdy nepoužívejte sekačku bez instalovaného a funkčního zadního štítu, krytu výstupu, vaku na trávu, mulčovací vložky, bočního vývodu, rukojeti ovládání motoru/nože nebo bezpečnostních a ochranných zařízení. Nikdy nepoužívejte sekačku s poškozenými bezpečnostními zařízeními. Nedodržení uvedených pokynů může vést ke zranění.
- Pokud nastane situace, která není popsána v tomto návodu, použijte pečlivý a dobrý úsudek. Pro pomoc kontaktujte zákaznický servis společnosti EGO.
- Používejte pouze následující akumulátory a nabíječky:

AKUMULÁTOR	NABÍJEČKA
BA1120E, BA2240E, BA2800, BA3360, BA4200	CH5500E, CH2100E

 - Před likvidací vyjměte ze zařízení akumulátor.
 - Akumulátor likvidujte bezpečným způsobem.

POUŽITÍ NA SVAHU:

Svahy jsou hlavním faktorem souvisejícím s nehodami při uklouznutí a pádu, což může vést k vážnému úrazu. Ve svahu vždy dbejte na pevný postoj. Použití na svazích vyžaduje zvýšenou opatrnost. Pokud se na svahu cítíte nejistí, nesekejte jej.

Co dělat:

- Sekat trávu ve svahu podélně; nikdy nesekejte nahoru a dolů. Dbejte zvýšené opatrnosti při změně směru svahu.
- Dávejte pozor na díry, vyjeté koleje, kameny, skryté předměty nebo hrboly, na kterých můžete uklouznout nebo klopýtnout. Ve vysoké trávě se mohou skrývat překážky.

Co nedělat:

- Nesekejte trávu v blízkosti srážů, příkopů nebo náspů; můžete ztratit pevnou půdu pod nohama nebo rovnováhu.
- Nesekejte svahy se sklonem přesahujícím 15 stupňů.
- Nesekejte mokrou trávu. Nestabilní postoj může způsobit uklouznutí.

SERVIS

VAROVÁNÍ: Součástí vaku na trávu, výstupní kryt, boční vývod, mulčovací vložka a zadní štít se mohou opotřebovat a poškodit, což může odhalit pohyblivé části, nebo umožnit vymrštění předmětů a zvýšit riziko úrazu. Pro zachování bezpečnosti často kontrolujte všechny součásti a poškozené součásti okamžitě vyměňte za originální náhradní díly uvedené v tomto návodu. Kontaktujte zákaznický servis společnosti EGO, nebo vaše nejbližší servisní středisko společnosti EGO, opravy a výměny musí provést kvalifikovaný servisní technik!

- Pokud se spínač vestavěné ochrany proti přetížení spouští často, kontaktujte zákaznický servis společnosti EGO, nebo vaše nejbližší zákaznické středisko společnosti EGO.
- Sekačku nemyjte hadicí; dbejte, aby se do motoru a elektrických přípojek nedostala voda.
- Vytáhněte klíč a uskladněte nepoužívanou sekačku na trávu v interiéru. Před uskladněním v uzavřeném prostoru nechejte motor vychladnout. Sekačka na trávu by se měla skladovat na suchém, vysoko položeném nebo uzamykatelném místě mimo dosah dětí.
- Při opravách používejte pouze originální náhradní díly uvedené v tomto návodu. Použití dílů, které nesplňují specifikace originálního vybavení může vést k nekvalitnímu výkonu a narušení bezpečnosti.
- Před servisem, čištěním nebo odstraňováním materiálů ze sekačky na trávu vyjměte nebo odpojte akumulátor.
- Dodržujte pokyny pro výměnu příslušenství.
- Udržujte rukojeti suché, čisté, bez oleje a maziva.
- Aby se snížilo riziko vzniku požáru, udržujte kryt motoru čistý, bez trávy listů a usazených nečistot.
- V pravidelných intervalech kontrolujte správné utažení upevňovacích šroubů nože a motoru. Rovněž vizuálně zkontrolujte, zda není poškozen nůž (např. ohnutý, prasklý nebo opotřebovaný). Nůž vyměňte pouze za originální náhradní nůž uvedený v tomto návodu.
- Provádějte pečlivou údržbu sekačky – udržujte nůž sekačky ostrý a čistý pro dosažení nejlepších a nejbezpečnějších výkonů. Nože sekačky jsou ostré, můžete se pořezat. Při jejich servisu nůž obalte nebo používejte rukavice a dbejte zvýšené opatrnosti.
- Nikdy neupravujte ani nezasahujte do bezpečnostních zařízení. Pravidelně kontrolujte jejich správnou funkci. Nikdy nedělejte nic, co by bylo v rozporu s funkcí bezpečnostního zařízení, nebo omezovalo ochranu zajištěnou bezpečnostním zařízením.
- Před úpravami kol nebo výšky sekání vždy vypněte motor.
- Po nárazu do cizího tělesa zastavte motor, vytáhněte klíč a pečlivě zkontrolujte, zda nedošlo k poškození sekačky. Před spuštěním sekačky poškození opravte.

- Udržujte nebo vyměňujte bezpečnostní štítky a štítky s pokyny podle potřeby. Kontaktujte zákaznický servis společnosti EGO, nebo vaše nejbližší servisní středisko společnosti EGO, opravy a výměny musí provést kvalifikovaný servisní technik!

■ TYTO POKYNY USCHOVEJTE PRO BUDOUCÍ

POUŽITÍ. Používejte je často a také k poučení dalších osob, které mohou toto nářadí používat. Pokud nářadí někomu půjčíte, půjčte mu také tento návod k obsluze, aby nedošlo k nesprávnému použití výrobku nebo případně k úrazu.

POUŽITÍ A PÉČE O AKUMULÁTOR

- Chcete-li zachovat přírodní zdroje, akumulátory recyklujte nebo správně likvidujte. Tento výrobek obsahuje lithium-iontové akumulátory. Místní nebo národní právní předpisy zakazují likvidaci lithium-iontových akumulátorů spolu s běžným odpadem. Informace o možných způsobech recyklace anebo likvidace vám podá místní úřad pro likvidaci odpadů.
- Po vyjmutí akumulátoru za účelem likvidace nebo recyklace zalepte póly akumulátoru odolnou lepicí páskou. Nepokoušejte se akumulátor zničit nebo rozebrat ani odstranit žádnou z jeho částí. Lithium-iontové akumulátory se musí řádně recyklovat nebo likvidovat. Nikdy se také nedotýkejte pólů kovovými předměty anebo částmi těla, může dojít ke zkratu. Uchovávejte mimo dosah dětí. Nedodržení těchto varování může vést ke vzniku požáru anebo k vážnému úrazu.
- **V NEPŘÍZNIVÝCH PODMÍNKÁCH MŮŽE DOJÍT K ÚNIKU TEKUTINY Z AKUMULÁTORU; VYHNĚTE SE STYKU S NÍ. POKUD DOJDE K NEÚMYSLNÉMU STYKU, OPLÁCHNĚTE MÍSTO VODOU. POKUD DOJDE K ZASAŽENÍ OČÍ, VYHLEDEJTE NAVÍC LÉKAŘSKÉ OŠETŘENÍ.** Kapalina unikající z akumulátoru může způsobit podráždění nebo popálení.

SPECIFIKACE

Číslo modelu	LM2120E	LM2120E-SP	
System pojezdu	Ne	Ano	
Napětí	56 V	56 V	
Rychlost při chodu naprázdno	2800 /min	2800 /min	
Výška sekání	28-94 mm	28-94 mm	
Polohy výšky sekání	6	6	
Velikost šasi	53 cm	53 cm	
Šířka sekání	52 cm	52 cm	
Objem vaku na trávu	70 L	70 L	
Hmotnost sekačky (bez akumulátoru)	22,10 kg	24,55 kg	
Model nože	AB2101	AB2101	
Měřená úroveň akustického výkonu L_{WA} $K=2$ dB(A)	89,9 dB(A)	89,5 dB(A)	
Hladina akustického tlaku na sluch obsluhy L_{PA} $K=3$ dB(A)	87 dB(A)	87 dB(A)	
Zaručená úroveň akustického výkonu L_{WA} (podle směrnice 2000/14/ES)	92 dB(A)	92 dB(A)	
Vibrace a_h $K=1,5$ m/s ²	Levá rukojeť	≤ 2,5 m/s ²	≤ 2,5 m/s ²
	Pravá rukojeť	≤ 2,5 m/s ²	≤ 2,5 m/s ²
Brzda nože	Ano	Ano	

- Celková deklarovaná hodnota vibrací byla naměřena podle standardní zkušební metody a lze ji použít ke srovnání s jiným nářadím;
- Celkovou deklarovanou hodnotu vibrací lze použít také k předběžnému stanovení expozičních limitů.

POZNÁMKA: Emise vibrací při konkrétním použití elektrického nářadí se mohou lišit od deklarované hodnoty, při které se nářadí používá; z důvodu ochrany provozovatele by měl uživatel ve skutečných pracovních podmínkách nosit rukavice a chrániče sluchu.

OBSAH BALENÍ

NÁZEV DÍLU	MNOŽSTVÍ
Sekačka na trávu	1
Vak na trávu	1
Rám vaku na trávu	1
Mulčovací vložka	1
Bezpečnostní klíč	2
Návod k obsluze	1

POPIS

SEZNAMTE SE SE SVOU SEKAČKOU (obr. A, B a C)

1. Bezpečnostní tlačítko
2. Spoušť pojezdu
3. Pojistná svorka rukojeti
4. Zadní výstupní dvířka
5. Zadní rukojeť
6. Kryt akumulátoru
7. LED světlomety
8. Přední rukojeť
9. Přední kolo
10. Páka na nastavení výšky sekání
11. Šasi sekačky
12. Zadní kolo
13. Vak na trávu
14. Páka rychlého nastavení
15. Boční lišta
16. Regulační páka rychlost pojezdu
17. Pákový spínač (spínací páka)
18. Rukojeť
19. Mulčovací vložka
20. Podpěra pro svislé skladování
21. Zadní štít
22. Spínač pro LED světlomety
23. Kontrolka nabití

POUŽITÍ

MONTÁŽ VAKU NA TRÁVU

- 1) Nasuňte vak na trávu na rám (obr. D).
- 2) Namontujte horní svorky na rám (obr. E), a pak namontujte dvě boční svorky. Spodní svorku namontujte jako poslední.
- 3) Kompletně smontovaný vak na trávu je znázorněn na obr. F.

POZNÁMKA: Při běžném použití se materiál vaku opotřebovává. Pro snížení rizika úrazu pravidelně kontrolujte sestavu vaku a v případě známek opotřebenosti nebo poškození vak vyměňte. Používejte pouze vaky na trávu vyrobené pro tuto sekačku.

NASTAVENÍ SKLOPNÉ RUKOJETI

VAROVÁNÍ: Nepokoušejte se spouštět sekačku, dokud není rukojeť zajištěna v jedné ze tří předem nastavených provozních poloh (HORNÍ PROVOZNI POLOHA, STŘEDNÍ PROVOZNI POLOHA nebo DOLNÍ PROVOZNI POLOHA).

Vaše sekačka se dodává s rukojetí v kompaktní, ZAJIŠTĚNÉ SKLADOVACÍ POLOZE (obr. G).

- 1) Stiskněte a držte páku pro rychlé nastavení a uvolnění rukojeť ze ZAJIŠTĚNÉ SKLADOVACÍ POLOHY (obr. H-1).
 - 2) Zdvihněte rukojeť ze sklopené polohy, a pak uvolněte páku. Zlehka otočte rukojeť vzhůru, dokud neuslyšíte a neucítíte, že pojistka zapadla do jedné ze dvou poloh, jak je znázorněno na obr. H.
- POLOHA NASAZENÍ/SEJMUTÍ VAKU NA TRÁVU (obr. H-2).
 - HORNÍ PROVOZNI POLOHA (obr. H-3).
 - STŘEDNÍ PROVOZNI POLOHA (obr. H-4)
 - DOLNÍ PROVOZNI POLOHA (obr. H-5).

NASAZENÍ/SEJMUTÍ VAKU NA TRÁVU/MULČOVACÍ VLOŽKY

VAROVÁNÍ: Nikdy se nepokoušejte provádět úpravy sekačky na trávu aniž byste nejprve zastavili motor, vytáhli bezpečnostní klíč a počkali, než nůž přestane rotovat.

POZNÁMKA: Veškeré příslušenství upevněte k sekačce na trávu než začnete sekat trávu.

- Nasazení/sejmutí vaku na trávu (obr. I)
- POZNÁMKA:** Před nasazením vaku na trávu na sekačku vyjměte předinstalovanou mulčovací vložku.
- Nasazení/sejmutí mulčovací vložky (obr. J)

NASTAVENÍ VÝŠKY SEKÁNÍ (obr. K)

VAROVÁNÍ: Při nastavování výšky udržujte nohy vždy v bezpečné vzdálenosti od šasi. Sekačku lze nastavit do 5 výšek sekání v rozmezí od 28 do 94 mm. Vyberte správnou výšku sekání podle typu a stavu trávy.

POZNÁMKA: Při přesunu nářadí dbejte, aby byla výška nastavená v poloze 3 a vyšší. Pokud tak neučiníte, může dojít k poškození nože.

INSTALACE/VYJMUTÍ AKUMULÁTORU (obr. L)

před prvním použitím akumulátor nabijte.

VAROVÁNÍ: Pokud jsou některé části poškozené nebo chybí, nepokoušejte se instalovat akumulátor na sekačku, nebo ji používat, dokud nevyměníte poškozené nebo chybějící díly. Pokud tak neučiníte, může dojít k vážnému úrazu.

- **Instalace**
Zatlačte akumulátor do prostoru pro akumulátor, dokud neuslyšíte „kliknutí“.
- **Vyjmutí**
Stiskněte tlačítko pro uvolnění akumulátoru v prostoru pro akumulátor.
Obr. L, následuje popis dílů:

L-1	Otvor pro bezpečnostní klíč
L-2	Bezpečnostní klíč
L-3	Tlačítko pro uvolnění akumulátoru

POZNÁMKA: Dbejte, aby západka na sekačce zapadla na místo a akumulátor byl upevněn k sekačce před spuštěním.

SPUŠTĚNÍ/VYPNUTÍ SEKAČKY

VAROVÁNÍ: Při použití sekačky na trávu může dojít k vymrštění cizích těles do očí, což může způsobit jejich závažné poškození. Při práci se sekačkou nebo při úpravách a opravách noste vždy ochranné brýle.

VAROVÁNÍ: Sekačku nepoužívejte v dešti.

VAROVÁNÍ: Když sekačku používáte, udržujte od ostatních osob a domácích zvířat bezpečnou vzdálenost aspoň 30m.

VAROVÁNÍ: Nůž se bude otáčet ještě několik sekund po vypnutí sekačky. Před dalším spuštěním nechejte motor/nůž, aby se zastavily. Sekačku se nesnažte rychle vypnout a zapnout.

POZNÁMKA: Motor nelze nastartovat, dokud není/nejsou:

- Rukojeť zajištěna v jedné z provozních poloh.
- Boční lišty jsou maximálně vysunuté (obr. M).
- Obě zelené pojistné svorky rukojeti bezpečně uzavřené (obr. N).

UPOZORNĚNÍ: Nepokoušejte se potlačit funkci bezpečnostního tlačítka a pákového spínače.

Spuštění (obr. P)

- 1) Instalujte akumulátor do sekačky, vložte bezpečnostní klíč do otvoru a zavřete kryt akumulátoru (obr. L).
- 2) Podle obr. O stiskněte bezpečnostní tlačítko.
- 3) Se stlačeným bezpečnostním tlačítkem zdvihněte pákový spínač směrem k rukojeti a uvolněte bezpečnostní tlačítko.

Vypnutí (obr. Q)

- 1) Uvolněte pákový spínač.
- 2) Elektrická brzda v automatickém brzdovém mechanismu zastaví rotaci nože během 3 sekund od uvolnění pákového spínače.

SYSTÉM POJEZDU S VARIABILNÍ RYCHLOSTÍ

Sekačka LM2120E-SP je vybavena funkcí pojezdu s variabilní rychlostí. Systém je nezávislý na spínači nože; nezávisí na rotaci nože.

Chcete-li spustit systém bez rotace nože, přitáhněte spoušť pojezdu k rukojeti.

Pokud chcete pojezd zastavit, uvolněte spoušť pojezdu.

Systém má variabilní rychlost. Pro zvýšení rychlosti posuňte regulační páku rychlosti pojezdu vpřed. Pro snížení rychlosti posuňte regulační páku rychlosti pojezdu vzad (obr. R).

Chcete-li sekat s rotujícím nožem:

1. Spustte sekačku.
2. Levou rukou podržte pákový spínač a rukojeti a pravou rukou zatáhněte za spoušť pojezdu směrem k rukojeti.
3. Držte pákový spínač a spoušť pojezdu současně a rukojeti pravou rukou a levou rukou nastavte požadovanou rychlost regulační pákou rychlosti pojezdu.

POZNÁMKA: Při sekání může být snazší sekat okolo objektů, jako např. strom nebo rostliny, s vypnutým pojezdem.

VAROVÁNÍ: Pro snížení rizika úrazu se nikdy nepokoušejte potlačit funkci spínače nebo systému pojezdu. Pojezd používejte pouze k učenému účelu.

PRACOVNÍ LED SVĚTLA NA SEKAČCE (obr. A-7)

Stiskněte tlačítko spínače (obr. C-22) a zapněte/vypněte pracovní LED světla před prostorem pro akumulátor.

KONTROLKA NABÍTÍ SEKAČKY (obr. S)

Sekačka je vybavena kontrolkou nabití, která ukazuje stav nabití akumulátoru a provozní stav sekačky. Kontrolka nabití se rozsvítí, jakmile začne rotovat nůž, nebo když se zapnou pracovní LED světla.

Kontrolka nabití sekačky	Význam	Činnost
Svítlí zeleně	Sekačka pracuje správně; akumulátor má kapacitu aspoň 15% nabití	Nevztahuje se
Svítlí červeně	Nízká úroveň nabití akumulátoru	Zastavte sekačku a nabijte akumulátor

Bliká červeně	Akumulátor je téměř vybitý	Zastavte sekačku a nabijte akumulátor
Svítlí oranžově	Přehřátí sekačky nebo akumulátoru	Vyjměte akumulátor ze sekačky, přemístěte je do stínu a nechejte je zchladnout po dobu aspoň 15 min
Bliká oranžově	Akumulátor je přetížený	Zpomalte tempo, nebo zvýšte výšku sekání pro snížení zátěže

OCHRANA SEKAČKY PROTI PŘETÍŽENÍ

Aby nedošlo k přetížení, nepokoušejte se odstranit příliš velké množství trávy najednou. Zpomalte tempo sekání, nebo zvýšte výšku sekání.

Vaše sekačka je vybavena vestavěnou ochranou proti přetížení. Pokud dojde k přetížení sekačky, motor se zastaví a kontrolka nabití sekačky začne blikat oranžově. Vyjměte akumulátor ze sekačky. Zkontrolujte, zda se šasi nezaneseo trávou, v případě potřeby jej vyčistěte, a pak instalujte akumulátor a restartujte sekačku.

TEPELNÁ OCHRANA AKUMULÁTORU

Akumulátor při provozu generuje teplo. V horkém počasí se teplo rozptýluje daleko pomaleji. Pokud teplota akumulátoru přesáhne při provozu 70 °C, ochranný obvod sekačky okamžitě zastaví, aby chránil akumulátor před poškozením. Kontrolka nabití sekačky bude svítit oranžově. Uvolněte pákový spínač, počkejte, dokud akumulátor nezchladne na přibližně 67 °C, a pak znovu spustte sekačku.

ÚDRŽBA

VAROVÁNÍ: Aby nedošlo k vážnému úrazu, vždy před čištěním, údržbou nebo přepravou vyjměte ze sekačky bezpečnostní klíč.

VAROVÁNÍ: Při opravách používejte pouze originální náhradní díly. Použití jiných dílů může být rizikem nebo způsobit poškození výrobku. Z důvodu bezpečnosti by měl všechny opravy a výměny provádět kvalifikovaný servisní technik.

ČIŠTĚNÍ SEKAČKY

Spodní část šasi sekačky čistěte po každém použití, jelikož dochází k hromadění posekané trávy, listů, hlíny a dalších nečistot.

Odstraňte nános trávy a listů z hnacího hřídele (pouze LM2120E-SP), kolem něj a rotoru motoru (nepoužívejte vodu). Sekačku setřete čistým a vlhkým hadrem.

SEJMUTÍ/INSTALACE NOŽE

VAROVÁNÍ: Vždy chraňte ruce s pomocí pevných rukavic nebo zabalením břitů nože hadrem nebo jiným materiálem při údržbě nože sekačky. Při servisu nebo přepravě sekačky vždy vyjměte akumulátor.

■ Sejmутí nože

Podle obr. T.

POZNÁMKA: Pokud se při povolení šroub otáčí s hřídelem motoru, otočte rotorem ručně tak, aby se srovnaly otvory v rotoru a v noži a do vyrovnaných otvorů vložte další kovovou tyč (obr. U).

■ Instalace nože

Podle montážního postupu na obr. V s rotorem nože směřujícím směrem k šasi a potištenou stranou nože směřující směrem ven srovnějte otvory v rotoru s otvory v noži (obr. W) a přišroubujte nůž, jak je znázorněno na obr. X.

Obr. U a V, následuje popis dílů:

U-1	Stabilizátor 1	V-2	Vnitřní příruba
U-2	Stabilizátor 2	V-3	Nůž
U-3	Klíč 14 mm	V-4	Vnější příruba
V-1	Rotor	V-5	Šroub

POZNÁMKA: Doporučený krouticí moment pro utažení šroubu nože je 49–59Nm.

SKLADOVÁNÍ SEKAČKY

- Vyjměte akumulátor ze sekačky a uskladněte jej na chladném, suchém a čistém místě. Neskladujte jej v blízkosti korozivních materiálů jako je např. hnojivo nebo kamenná sůl.
- Sekačku uskladněte v krytém, uzavřeném prostoru, který je studený, suchý a mimo dosah dětí.
- Sekačku na trávu nezakrývejte pevnou plastovou fólií. Plastové plachty uzavírají vlhkost okolo sekačky, což způsobuje korozi.
- Sekačku lze skladovat ve vodorovné nebo svislé poloze (obr. Y).

VAROVÁNÍ: Pokud se sekačka převrhne ze vodorovné polohy, může dojít k poškození sekačky nebo úrazu. Pokud je sekačka ve vodorovné poloze, udržujte její stabilitu a udržujte ji mimo dosah dětí. Pokud je to možné, skladujte ji ve vodorovné poloze.

Ochrana životního prostředí



Elektrické zařízení, nabíječku a baterie/nabíjecí baterie nevhazujte do domovního odpadu!

Podle směrnice Evropského parlamentu a Rady 2012/19/EU se musí odpadní elektrická a elektronická zařízení a podle směrnice 2006/66/ES vadné nebo použité akumulátory/baterie sbírat odděleně.

Podle se elektrická zařízení likvidují na zavážkách nebo skládkách, mohou do podzemní vody prosáknout nebezpečné látky, dostat se do potravního řetězce a poškodit tak vaše zdraví a zdravotní stav.

ES PROHLÁŠENÍ O SHODĚ



My, společnost EGO EUROPE GMBH

Wahlwiesenstrasse 1, D-71711 Steinheim an der Murr Deutschland

Prohlašujeme, že výrobek **56V lithium-iontový akumulátorová sekačka LM2120E/LM2120E-SP** splňuje základní požadavky na ochranu zdraví a bezpečnost následujících směrnic:

2006/42/ES, 2014/30/EU, 2011/65/EU, 2000/14/ES

Normy a technické specifikace vychází z:

EN 60335-1, EN 60335-2-77, EN 62233, EN 55014-1, EN 55014-2

	LM2120E	LM2120E-SP
Měřená hladina akustického výkonu:..	89,9 dB(A)	89,5 dB(A)
Zaručená úroveň akustického výkonu:	92 dB(A)	92 dB(A)

Postup posuzování shody přílohy VI je v souladu s 2000/14/ES.

Notifikovaný orgán: Sociétés Nationale de Certification et d'Homologation

Číslo notifikovaného orgánu:0499

Peter Melrose
Výkonný ředitel EGO
Europe GmbH

Dong Jianxun
Manažer kvality společnosti
Chervon

* (Pověřený zástupce společnosti CHERVON odpovídá za technickou dokumentaci)

01/09/2016

ODSTRAŇOVÁNÍ PROBLÉMŮ

VAROVÁNÍ: Při servisu nebo přepravě sekačky vždy vyjměte bezpečnostní klíč a akumulátor. Vždy chraňte ruce s pomocí pevných rukavic nebo zabalením břitů nože hadrem nebo jiným materiálem při údržbě nože sekačky.

PROBLÉM	PŘÍČINA	ŘEŠENÍ
Sekačka se nespustí	<ul style="list-style-type: none"> ■ Akumulátor je vybitý. ■ Akumulátor není instalován v prostoru pro akumulátor. ■ Obvody akumulátoru nebo sekačky jsou příliš horké. (Kontrolka nabití sekačky se rozsvítí oranžově na dobu 10 sekund) ■ Boční lišty nejsou zcela vysunuté a svorky nezapadly do správné polohy. ■ Rukojeť není nastavená v jedné ze dvou provozních poloh. ■ Šasi sekačky je zanesené trávou a nečistotami. 	<ul style="list-style-type: none"> ■ Nabijte akumulátor. ■ Instalujte akumulátor do sekačky a zatlačte jej, dokud neuslyšíte kliknutí. ■ Nechejte akumulátor nebo sekačku zchladnout, dokud teplota neklesne pod 67 °C. ■ Vysuňte maximálně rukojeť a zajistěte ji oběma svorkami. ■ Nastavte rukojeť do jedné ze dvou provozních poloh. ■ Vyčistěte šasi sekačky a zkontrolujte, zda se může nůž volně otáčet.
Sekačka seká nerovnoměrně	<ul style="list-style-type: none"> ■ Nůž je tupý. ■ Výška sekání není správně nastavená. ■ Nůž je nesprávně namontovaný. 	<ul style="list-style-type: none"> ■ Nabruste nebo vyměňte nůž. ■ Zdvihněte šasi do vyšší polohy výšky sekání. ■ Nůž znovu smontujte podle pokynů v části „INSTALACE NOŽE“ v tomto návodu.
Sekačka se při sekání trávy zastaví	<ul style="list-style-type: none"> ■ Akumulátor je vybitý. ■ Sekačka je přetížená. ■ Šasi sekačky je zanesené trávou a nečistotami. ■ Obvody akumulátoru nebo sekačky jsou příliš horké. (Kontrolka nabití sekačky se rozsvítí oranžově na dobu 10 sekund.) ■ Boční liště se mírně zasunula v důsledku tlačné síly vyvíjené na rukojeť. 	<ul style="list-style-type: none"> ■ Nabijte akumulátor. ■ Zdvihněte výšku sekání nebo zpomalte sekání. ■ Vyčistěte šasi sekačky. Zdvihněte výšku sekání nebo sekejte užší pás. ■ Nechejte akumulátor nebo sekačku zchladnout, dokud teplota neklesne pod 67 °C. ■ Uvolněte svorky. Vysuňte maximálně boční lišty a znovu zajistěte je svorkami.
Sekačka špatně mulčuje	<ul style="list-style-type: none"> ■ Na spodní straně šasi se usazuje posekaná tráva. ■ Sekačka je nastavená tak, aby sekala příliš velké množství trávy najednou. 	<ul style="list-style-type: none"> ■ Počkejte, až tráva před sekáním uschne. ■ Zdvihněte šasi do vyšší polohy výšky sekání.

PROBLÉM	PŘÍČINA	ŘEŠENÍ
Nadměrné vibrace	<ul style="list-style-type: none"> ■ Žací nůž je uvolněný. ■ Žací nůž je nevyvážený. ■ Kutterbladet er bøyd. ■ Hřídel motoru je ohnutý. 	<ul style="list-style-type: none"> ■ Dotáhněte šroub nože. ■ Vyvažte nůž podle pokynů. ■ Vyměňte nůž. ■ Kontaktujte servisní středisko.
Pojistnou svorku rukojeti nelze zajistit v dané poloze	<ul style="list-style-type: none"> ■ Boční lišty nejsou maximálně vysunuté. 	<ul style="list-style-type: none"> ■ Vysuňte maximálně boční lišty, a pak zajistěte svorky.

ZÁRUKA

ZÁRUKA SPOLEČNOSTI EGO

Úplné záruční podmínky společnosti EGO naleznete na webové stránce egopowerplus.com.

KEES VAN DER SPEK
TUINMACHINES ★ STOLWIJK

CZ

PREČÍTAJTE SI VŠETKY POKYNY!



PREČÍTAJTE SI NÁVOD NA OBSLUHU

⚠ Zvyškové riziko! Ľudia s elektronickými zariadeniami, ako napríklad kardiostimulátor, musia používanie tohto výrobku konzultovať so svojím lekárom/lekármi. Používanie elektrického zariadenia v tesnej blízkosti kardiostimulátora by mohlo spôsobiť jeho rušenie alebo zlyhanie.

⚠ VAROVANIE: Pre zaistenie bezpečnosti a spoľahlivosti by mal všetky opravy a výmeny vykonávať len kvalifikovaný servisný technik.

Účel použitia a možné nevhodné použitie Výrobok je určený výlučne na kosenie trávy v záhradách súkromných domov. Nesmie byť používaný na kosenie príliš vysokej, suchej alebo mokrej trávy, napr. pastvín; ani na sekanie listov. Výrobok sa musí používať v súlade s účelom použitia. Každé iné použitie sa považuje za prípad nevhodného použitia.

BEZPEČNOSTNÉ SYMBOLY

Účelom bezpečnostných symbolov je upozorniť na možné nebezpečenstvá. Je nevyhnutné, aby ste si našťudovali a pochopili bezpečnostné symboly a vysvetlenia k nim. Samotné výstražné symboly neodstraňujú možné nebezpečenstvá. Pokyny a varovania, ktoré poskytujú, nie sú náhradou vhodných opatrení na prevenciu úrazov.

SK

⚠ VAROVANIE: Uistite sa, že ste si pred použitím tohto výrobku prečítali a pochopili všetky bezpečnostné pokyny uvedené v návode na obsluhu, vrátane všetkých bezpečnostných výstražných symbolov, ako sú "NEBEZPEČENSTVO", "VAROVANIE", A "VÝSTRAHA". Nedodržanie nižšie uvedených pokynov môže spôsobiť úraz elektrickým prúdom, požiar a/alebo vážne zranenie.

VÝZNAM SYMBOLU

BEZPEČNOSTNÝ VÝSTRAŽNÝ SYMBOL: Označuje **NEBEZPEČENSTVO, VAROVANIE, alebo VÝSTRAHU.** Môže byť použitý v spojení s inými symbolmi alebo piktogramami.

⚠ VAROVANIE: Používanie akýchkoľvek elektrických nástrojov môže spôsobiť vniknutie cudzích predmetov do očí, čo môže mať za následok vážne poškodenie zraku. Pred spustením elektrického prístroja do prevádzky si vždy nasadte bežné ochranné okuliare alebo ochranné okuliare s postrannými krytmi a, v prípade potreby, celo-tvárový štít. Na okuliare alebo štandardné bezpečnostné okuliare s postrannými krytmi odporúčame použiť bezpečnostnú masku Wide Vision.

BEZPEČNOSTNÉ POKYNY

Na tejto strane sú uvedené a popísané bezpečnostné symboly, ktoré sa nachádzajú na výrobku. Predtým, než budete montovať a používať stroj, si prečítajte všetky pokyny, snažte sa im porozumieť a postupujte podľa nich.

	Bezpečnostná výstraha	Opatrenia týkajúce sa vašej bezpečnosti.
	Používajte ochranné okuliare	Pri používaní výrobku si vždy nasadte bežné ochranné okuliare alebo ochranné okuliare s postrannými krytmi a celo-tvárový štít.
	Prečítajte si návod na obsluhu	Pred použitím tohto výrobku si musí používateľ prečítať a pochopiť návod na obsluhu, aby sa znížilo riziko poranenia.
	Dávajte pozor na ostré nože.	Nože sa otáčajú i po vypnutí motora. Pred vykonaním údržby odstráňte blokovacie zariadenie. Pred zmenou nastavení alebo čistením stroja ho vypnite a odstráňte odnímateľný akumulátor (alebo blokovacie zariadenie).
	Udržujte osoby v bezpečnej vzdialenosti	Počas používania kosačky zabezpečte, aby osoby a domáce zvieratá zostali vo vzdialenosti aspoň 30m.

	Zhotovenie Trieda II	Konštrukcia s dvojitou izoláciou.
IPX4	Symbol indikátoru napájania	Ochrana proti vniknutiu vody 4. stupňa
V	Volt	Napätie
A	Ampér	Prúd
Hz	Hertz	Frekvencia (cykly za sekundu)
W	Watt	Výkon
min	Minúty	Čas
	Striedavý prúd	Typ prúdu
	Jednosmerný prúd	Typu alebo charakteristika prúdu
n_0	Rýchlosť bez zátáže	Rýchlosť otáčania bez zátáže
... /min	Za minútu	Otáčky za minútu

zariadenie. Miestne predpisy môžu obmedzovať vek používateľa.

- Nikdy nekoste trávu v blízkosti osôb, najmä detí, alebo zvierat.
- Obsluha alebo používateľ je zodpovedný za nehody a riziká, ktorým vystavil iné osoby a ich majetok.

PRÍPRAVA

- Pri kosení vždy noste pevnú obuv a dlhé nohavice.
- Nepoužívajte zariadenie, ak ste bosí alebo máte obutú otvorenú sandále. Nenoste oblečenie, ktoré je voľné alebo z ktorého visia šnúry alebo remienky.
- Dôkladne skontrolujte oblasť, kde má byť zariadenie používané a odstráňte všetky kamene, palice, drôty, kosti a iné cudzie predmety.
- Pred použitím vždy vizuálne skontrolujte, či nie sú poškodené nože, skrutky nožov a rezný mechanizmus. Vymeňte opotrebované alebo poškodené nože a skrutky naraz, aby ste zachovali vyváženie. Vymeňte poškodené alebo nečitateľné štítky.

PREVÁDZKA

- Pracujte iba za denného svetla alebo pri dobrom umelom osvetlení.
- Ak je to možné, vyvarujte sa použitiu zariadenia na mokrej tráve.
- Pri pohybe na svahu dbajte na pevný postoj.
- Kráčajte, nikdy nebežte.
- Pri použití kolesových rotačných kosačiek koste trávu krížom cez svah, nikdy nie nahor a nadol.
- Zvýšte opatnosť pri zmene smeru na svahu.
- Nekoste na príliš strmých svahoch.
- Pri cúvaní alebo ťahaní zariadenia smerom k sebe buďte mimoriadne opatrní.
- Zastavte nôž(e), ak chcete zariadenie nakloniť kvôli preprave pri prechádzaní iných povrchov než trávy a pri preprave zariadenia z a do oblasti, ktorá sa má kosiť.
- Nikdy nepoužívajte zariadenie s poškodenými ochrannými krytmi alebo štítkami, alebo bez správne umiestnených bezpečnostných zariadení, napríklad vodiacich plechov a/alebo zberného koša na trávu.
- Zapnite motor podľa pokynov. Dbajte na to, aby boli vaše nohy ďaleko od noža(ov).
- Pri zapínaní motora nenakláňajte zariadenie okrem prípadu, kedy ho treba nakloniť kvôli spusteniu. V tom prípade ho nenakláňajte viac, než je nevyhnutné a zdvihnite iba časť, ktorá je ďalej od používateľa. Pred vrátením zariadenia na zem sa vždy uistite, že máte obe ruky v prevádzkovej polohe.

BEZPEČNOSTNÉ PRAVIDLÁ PRE BEZDRÔTOVÚ KOSAČKU NA TRÁVU

⚠ NEBEZPEČENSTVO: Tento stroj bol vyrobený na to, aby bol používaný v súlade s pravidlami pre bezpečnú prevádzku uvedenými v tomto návode. Rovnako ako u akéhokoľvek typu elektrického zariadenia, nedbalosť alebo chyba na strane používateľa môže viesť k vážnemu zraneniu. Tento stroj môže spôsobiť poranenia rúk a nôh a vyráženie predmetov. Nedodržanie bezpečnostných pokynov môže mať za následok vážne poranenie alebo smrť.

⚠ VAROVANIE: Pri použití bezdrôtových kosačiek je potrebné vždy dodržiavať základné bezpečnostné opatrenia, aby sa znížilo riziko požiaru, úrazu elektrickým prúdom a zranenia osôb.

DÔLEŽITÉ

PRED POUŽITÍM POZORNE PREČITAJTE. UCHOVAJTE PRE BUDÚCNOSŤ.

BEZPEČNOSTNÉ PRAVIDLÁ PRE BEZDRÔTOVÚ KOSAČKU NA TRÁVU:

VÝSTRAHA-NEDOTÝKAJTE SA OTÁČAJÚCICH SA NOŽOV!

ŠKOLENIE

- Pozorne si prečítajte pokyny. Zoznámte sa s ovládacími prvkami a správnym používaním zariadenia.
- Nedovoľte, aby deti alebo osoby, ktoré nie sú oboznámené s týmito pokynmi, používali toto

- Nezapínajte zariadenie, ak stojíte pred výpustným otvorom.
- Nedávajte ruky alebo nohy do blízkosti rotujúcich častí alebo pod ne. Pri používaní rotačných kosačiek sa vždy pohybujte mimo výpustného otvoru.
- Nikdy zariadenie nedvíhajte ani neprenášajte počas chodu motora.
- Pred úpravou nastavenia a čistením vypnite zariadenie a odstráňte odnímateľný akumulátor (alebo blokovacie zariadenie) a uistite sa, že všetky pohyblivé časti sa úplne zastavili:
 - kedykoľvek, keď odídete od stroja;
 - pred čistením upchatia a uvoľnením výspyky;
 - pred kontrolou, čistením alebo prácou na stroji;
 - po náraze na cudzí predmet. Skontrolujte, či nie je zariadenie poškodené a podľa potreby vykonajte opravu.
- V prípade, že prístroj začne nezvyčajne vibrovať (ihneď zastavte):
 - skontrolujte prípadné poškodenie;
 - vymeňte alebo opravte poškodené diely;
 - skontrolujte utiahnutie všetkých voľných častí.

ÚDRŽBA A SKLADOVANIE

- Pri nastavovaní stroja buďte opatrní, aby ste predišli zakliesneniu prstov medzi pohybujúce sa nože a pevné časti zariadenia.
- Kontrolujte utiahnutie všetkých závitiek, skrutiek a matíc s cieľom zaisťiť bezpečný prevádzkový stav.
- Pravidelne kontrolujte zberný kôš kvôli známkam opotrebenia alebo poškodenia.
- V rámci zaistenia bezpečnosti vymeňte opotrebované alebo poškodené diely.
- Čistenie a údržbu nesmú robiť deti, ak nie sú pod dohľadom dospelého človeka.
- Pri údržbe nožov si treba uvedomiť, že hoci je zdroj napájania vypnutý, nože sa môžu ešte pohybovať.
- Pri používaní rotačných kosačiek sa uistite, že používate iba správny typ náhradných rezných prostriedkov.

OSOBNÁ OCHRANA

Ak si používateľ neuvedomuje prítomnosť detí, môže prísť k tragickej nehode. Deti často zaujímajú kosačky a kosenie. Nerozumejú nebezpečenstvu. Nepredpokladajte, že deti zostanú tam, kde ste ich naposledy videli.

- Deti musia zostať mimo priestoru, v ktorom sa kosí a pod starostlivým dohľadom zodpovednej dospelého osoby, ktorá práve nepoužíva zariadenie.
- Dávajte pozor a vypnite kosačku, ak dieťa vstúpi do uvedeného priestoru.

- Zvýšte pozornosť, ak prichádzate k slepým uhlom, pri vchodoch do dverí, krikoch, stromoch a iných predmetoch, ktoré vám môžu zasiahnuť do očí a dieťa utekajúce ku kosačke.
- Deti by mali byť pod dohľadom, ktorý zabezpečí, že sa nebudú hrať s kosačkou.
- Vždy vypnite kosačku, ak z prístroja vyberáte akumulátor. Zastavte nôž(e), ak chcete zariadenie nakloniť kvôli preprave pri prechádzaní iných povrchov než trávy a pri preprave zariadenia z a do oblasti, ktorá sa má kosiť.

PREVÁDZKA BEŽNÁ OBSLUHA:

- Dôkladne si prečítajte tento návod na obsluhu v celom rozsahu predtým, než sa pokúsite zmontovať zariadenie. Pred používaním stroja si prečítajte všetky pokyny, snažte sa im porozumieť a postupujte podľa nich. Pred použitím stroja sa dôkladne oboznámte s jeho ovládacími prvkami a správnym používaním. Uchovávajte túto príručku na bezpečnom mieste pre budúce a pravidelné používanie a pre objednávanie náhradných dielov.
- Používajte správny prístroj - nepoužívajte kosačku na inú činnosť, než na akú je určená.
- Nepreceňujte svoje sily - za každých okolností udržujte pevnú postoj a rovnováhu.
- Predmety odrazené od noža kosačky môžu spôsobiť vážne poranenie osôb. Pred kosením vždy trávnik starostlivo prezrite a odstráňte všetky predmety.
- Pred a pri pohybe vzad sa obzrite za seba a dolu a skontrolujte prítomnosť malých detí a ľudí.
- Tento stroj nie je hračka. Preto vždy dbajte na maximálnu opatnosť. Výrobok bol navrhnutý na jednu činnosť: kosenie trávy. Nepoužívajte ho na iné účely.
- Netlačte kosačku silou - bude lepšie a bezpečnejšie kosiť pri rýchlosti, na ktorú bola navrhnutá.
- Pred použitím vždy vizuálne skontrolujte, či nie sú poškodené nože, skrutky nožov a rezný mechanizmus. Vymeňte opotrebované alebo poškodené nože a skrutky a všetky ďalšie súčasti naraz, aby ostal stroj vyvážený. Vymeňte poškodené alebo nečitateľné štítky.
- Pri cúvaní alebo ťahaní zariadenia smerom k sebe buďte mimoriadne opatrní.
- Dôkladne skontrolujte oblasť, kde má byť zariadenie použité. Odstráňte všetky kamene, palice, drôty, hračky a iné cudzie predmety, o ktoré by mohli nože kosačky zavadiť, nadvihnúť ich a vymrštiť. Vymrštené predmety môžu spôsobiť vážne zranenie. Naplánujte si kosenie tak, aby ste zabránili rozptýleniu materiálu smerom k ceste, chodníkom, okolitým osobám a podobne. Snažte sa tiež vyhnúť vypúšťaniu materiálu proti múru alebo prekážkam, ktoré môže spôsobiť, že sa materiál odrazí späť smerom k obsluhu.

- Počas používania sa snažte predísť kontaktu s nožmi alebo zraneniu spôsobenému vymrštenými predmetmi tým, že budete pracovať v oblasti za rukoväťou a udržiavať deti, okoloidúcich, pomocníkov a domáce zvieratá vo vzdialenosti najmenej 30m od kosačky. Zastavte stroj, ak niekto vstúpi do priestoru.
- Počas používania, nastavovania a oprávach vždy noste ochranné okuliare, aby ste si chránili oči. Vymrštené predmety, ktoré sa odrazia, môžu spôsobiť vážne poranenie očí. V prašnej prevádzke vždy používajte tvárovú alebo proti prachovú masku.
- Vhodne sa obliekajte - nenoste voľné oblečenie alebo šperky. Môžu sa zachytiť do pohyblivých častí. Pri práci vonku sa odporúča použiť gumové rukavice a obuv. Noste pracovné topánky s pevnou, drsnou podrážkou a prilehlavé nohavice a košele. Odporúča sa používať košele a nohavice, ktoré zakrývajú ruky a nohy a topánky s oceľovou špicou. Nikdy nepoužívajte tento stroj, ak ste bosí, máte obuté sandále, šmykľavé alebo ľahké topánky (napr. plátene).
- Nedávajte ruky alebo nohy do blízkosti rotujúcich častí alebo pod spodnú časť kosačky. Kontakt s nožom môže spôsobiť poranenie rúk a nôh.
- Chýbajúci alebo poškodený kryt môže viesť ku kontaktu s nožom a k zraneniam spôsobeným vymrštenými predmetmi.
- Mnoho zranení je dôsledkom ťahania kosačky cez nohy alebo pádu spôsobeného pošmyknutím alebo potknutím. Pri páde sa nedržte kosačky. Ihneď pusťte rukoväť.
- Pri chôdzi nikdy neťahajte kosačku smerom k sebe. Ak musíte odiahnuť kosačku od steny alebo prekážky, najskôr sa pozrite dolu a za seba, aby ste predišli zakopnutiu a postupujte nasledovne:
 - Odstúpte od kosačky tak, aby ste mohli úplne natiahnuť ruky.
 - Uistite sa, že máte dobrú rovnováhu a správne stojíte.
 - Potiahnite kosačku pomaly späť, nie viac ako na pol cesty smerom k vám.
 - Opakujte tieto kroky podľa potreby.
- Nepoužívajte kosačku, ak ste pod vplyvom alkoholu alebo drog.
- Nikdy nepoužívajte zariadenie s poškodenými ochrannými krytmi alebo štítmí, alebo bez správne umiestnených bezpečnostných zariadení, napríklad vodiacich plechov a/alebo zberného koša na trávu.
- Buďte stále v strehu - dávajte pozor na to, čo robíte. Používajte zdravý rozum. Nepoužívajte kosačku, ak ste unavení.
- Ovládacia páka motora/nožov je bezpečnostné zariadenie. Nikdy sa nesnažte vyhnúť jej použitiu. Môže to spôsobiť odstavenie bezpečnostného zariadenia, čo

môže mať za následok zranenie osoby pri kontakte s otáčajúcim sa nožom. Ovládacia páka motora/noža sa musí ľahko pohybovať oboma smermi a pri uvoľnení sa musí automaticky vrátiť do voľnej polohy.

- Vyhňte sa nebezpečnému prostrediu - nepoužívajte kosačky vo vlhkom alebo mokrom prostredí.
- Nepoužívajte v daždi.
- Majte vždy pevný postoj. Pošmyknutie a pád môžu spôsobiť vážne zranenie osoby. Ak máte pocit, že váš postoj nie je pevný, okamžite uvoľnite ovládaciu páku motora/noža a nož sa do troch sekúnd prestane otáčať.
- Zastavte nôž pri prechádzaní cez štrkové príjazdové cesty, chodníky alebo ulice.
- V prípade, že zariadenie by začalo nezvyčajne vibrovať, vypnite motor a ihneď sa snažte zistiť príčinu. Vibrácie zvyčajne upozorňujú na problém.
 - Skontrolujte prípadné poškodenie;
 - Vymeňte alebo opravte všetky spotrebné náhradné poškodené diely;
 - Skontrolujte utiahnutie všetkých voľných častí.
- Nikdy nepoužívajte kosačku, ak nie je vhodný tieniaci štít, kryt výsyvky, zberný kôš, mulčovacia vložka, bočná výsyпка, ovládacia páka motora/noža alebo iné bezpečnostné ochranné zariadenia na správnom mieste a nefungujú správne. Nikdy nepoužívajte kosačku s poškodenými bezpečnostnými zariadeniami. Ak tak urobíte, môže dôjsť k zraneniu osôb.
- Ak sa vyskytnú situácie, ktoré nie sú zahrnuté v tomto návode, prístupujte k nim s opatnosťou a správnym úsudkom. Pre ďalšie rady kontaktujte zákaznícky servis EGO.
- Používajte akumulátory a nabíjačky uvedené nižšie:

AKUMULÁTOR	NABÍJAČKA
BA1120E, BA2240E, BA2800, BA3360, BA4200	CH5500E, CH2100E

- Pred zošrotovaním stroja musí byť akumulátor odstránený zo zariadenia.
- Batérie sa musia byť likvidovať bezpečne.

PREVÁDZKA NA SVAHU:

Svahy sú hlavným faktorom v súvislosti s pošmyknutím a pádom, ktoré môžu viesť k ťažkým zraneniam. Pri pohybe na svahu dbajte na pevný postoj. Použitie kosačky na svahoch vyžaduje zvýšenú pozornosť. Ak sa na svahu necítite dobre, nekoste ho.

Čo robiť:

- Koste krížom cez svah; nikdy nekoste smerom hore a dolu. Zvýšte opatnosť pri zmene smeru na svahu.

- Dávajte pozor na diery, vyjazdené kolaje, skaly, skryté predmety alebo hrbole, ktoré môžu spôsobiť pošmyknutie alebo zakopnutie. Vysoká tráva môže skrývať prekážky.

Čo nerobiť:

- Nekoste v blízkosti zrázov, priekop alebo násypov; mohli by ste stratiť pevný postoj alebo rovnováhu.
- Nekoste svahy so sklonom väčším ako 15 stupňov.
- Nekoste mokrú trávu. Nestabilný postoj môže spôsobiť pošmyknutie.

ÚDRŽBA

VAROVANIE: Diely zberného koša, kryt výsypky, bočná výsypka, mulčovacia vložka a tieniaci štít podliehajú opotrebovaniu a poškodeniu, ktoré by mohlo odkryť pohyblivé časti alebo vymeniť predmety a zvýšiť riziko zranenia. Z pohľadu bezpečnosti je dôležité často kontrolovať všetky komponenty a ihneď vymeniť poškodené časti za identické náhradné časti uvedené v návode. Kontaktujte zákaznický servis EGO alebo najbližšie servisné stredisko EGO. Opravu alebo výmenu smie vykonávať len kvalifikovaný servisný technik!

- Ak sa prepínač vstavanej ochrany proti preťaženiu kosačky často vypína, obráťte sa na zákaznické stredisko EGO alebo najbližšie servisné stredisko EGO.
- Na umývanie kosačky nepoužívajte hadicu. Voda by sa dostala do motora a elektrických spojov.
- Ak sa kosačka nepoužíva, vyberte kľúč a uskladnite ju nezapojenú v uzavretom priestore. Pred uložením do uzavretého priestoru nechajte motor vychladnúť. Kosačka musí byť skladovaná v suchom, vysokom alebo uzamykateľnom uzavretom priestore, mimo dosahu detí.
- Pri údržbe používajte iba identické náhradné diely uvedené v tomto návode. Používanie dielov, ktoré nespĺňajú pôvodné technické údaje zariadenia, môže mať za následok nedostatočný výkon a ohrozenie bezpečnosti.
- Odstráňte a odpojte akumulátor pred vykonávaním údržby, čistením alebo odstraňovaním materiálu z kosačky.
- Dodržujte pokyny pre výmenu príslušenstva.
- Udržujte rukoväť suchú, čistú a bez oleja a tuku.
- Aby sa znížilo nebezpečenstvo požiaru, dbajte na to, aby bol kryt motora bez trávy, lístia a pevnej špiny.
- V pravidelných intervaloch kontrolujte utiahnutie noža a upevňovacích skrutiek motora. Tiež vizuálne kontrolujte, či nie je nôž poškodený, (napr. prehnutie, praskliny a opotrebenie). Vymeňte nôž len za originálny náhradný nôž uvedený v tomto návode.

- O kosačku sa dôkladne starajte - ostrite nôž a čistite ho, aby ste dosiahli najlepší a najbezpečnejší výkon. Nože kosačky sú ostré a dokážu kosť. Pri údržbe nôž zabaľte alebo použite rukavice. Dbajte na zvýšenú opatrnosť.
- Nikdy neodpájajte bezpečnostné zariadenia, ani s nimi nemanipulujte. Pravidelne kontrolujte ich správnu činnosť. Nevykonávajte činnosti, ktoré by narušali určenú funkciu bezpečnostného zariadenia alebo znižovali ochranu, ktorú bezpečnostné zariadenie poskytuje.
- Pred nastavením výšky kolies alebo kosenia vždy zastavte motor.
- Po náraze na cudzí predmet zastavte motor, vyberte kľúč a dôkladne skontrolujte prípadné poškodenie kosačky. Pred použitím kosačky opravte poškodenie.
- Podľa potreby udržiavajte bezpečnostné štítky a štítky s pokynmi v dobrom stave. Kontaktujte zákaznický servis EGO alebo najbližšie servisné stredisko EGO. Opravu alebo výmenu smie vykonávať len kvalifikovaný servisný technik!
- **TIETO POKYNY USCHOVAJTE.** Používajte ich k nahliadnutiu a na poučenie ostatných o používaní tohto stroja. Ak niekomu kosačku požičiate, požičajte mu aj tieto pokyny, aby ste predišli nesprávnemu použitiu výrobu a možnému zraneniu.

POUŽITIE BATERIE A STAROSTLIVOSŤ O ňU

- Batérie náležite recyklujte a vyhadzujte tak, aby ste chránili prírodné zdroje. Tento výrobok obsahuje lítium-iónové batérie. Lokálne alebo národné zákony zakazujú vyhadzovanie lítium-iónových batérií do bežného odpadu. Pre informácie o dostupných možnostiach recyklácie a/alebo likvidácie sa obráťte na miestny úrad pre riešenie odpadu.
- Po vybratí akumulátora, ktorý treba vyhodiť alebo recyklovať, obalte svorky modulu akumulátora pevnou lepiacou páskou. Nepokúšajte sa akumulátor rozbiť alebo rozobrať, prípadne odstrániť niektoré z jeho zložiek. Lítium-iónové batérie sa musia správne recyklovať alebo likvidovať. Nikdy sa nedotýkajte svoriek kovovými predmetmi a/alebo časťami tela, keďže to môže spôsobiť skrat. Uchovávajte mimo dosahu detí. Nedodržanie týchto varovaní môže viesť k požiaru a/alebo vážnemu zraneniu.
- **V NEVHODNÝCH PODMIENKACH MÔŽE Z AKUMULÁTORA UNIKÁŤ TEKUTINA; VYHNITE SA KONTAKTU S ňOU. PRI NÁHODNOM KONTAKTE OPLÁCHNITE DANÉ MIESTO VODOU. PRI ZASIAHNUTÍ OČÍ VYHLADAJTE LEKÁRSKU POMOC.** Unikajúca kvapalina z batérie môže spôsobiť podráždenie alebo popálenie.

TECHNICKÉ ÚDAJE

Číslo modelu	LM2120E	LM2120E-SP	
Samohybný systém	Nie	Áno	
Napätie	56 V	56 V	
Rýchlosť bez záťaže	2800 /min	2800 /min	
Výška kosenia	28-94 mm	28-94 mm	
Polohy výšky kosenia	6	6	
Veľkosť spodnej strany kosačky	53 cm	53 cm	
Šírka kosenia	52 cm	52 cm	
Objem zberného koša	70 L	70 L	
Hmotnosť kosačky (bez akumulátora)	22,10 kg	24,55 kg	
Model noža	AB2101	AB2101	
Nameraná hladina akustického výkonu L_{WA} K=2 dB(A)	89,9 dB(A)	89,5 dB(A)	
Hladina akustického tlaku na uši obsluhy L_{PA} K=3 dB(A)	87 dB(A)	87 dB(A)	
Garantovaná hladina akustického výkonu L_{WA} (merané podľa 2000/14 / ES)	92 dB(A)	92 dB(A)	
Vibrácie a_h K=1,5 m/s ²	Ľavá rukoväť	$\leq 2,5$ m/s ²	$\leq 2,5$ m/s ²
	Pravá rukoväť	$\leq 2,5$ m/s ²	$\leq 2,5$ m/s ²
Brzda noža	Áno	Áno	

- Deklarovaná celková hodnota vibrácií bola v súlade so štandardnou skúšobnou metódou a môže sa použiť na vzájomné porovnanie jednotlivých nástrojov;
- Deklarovaná celková hodnota vibrácií sa tiež môže použiť na predbežné vyhodnotenie času práce.

UPOZORNENIE: Hodnota vibrácií pri aktuálnom použití elektrického zaradenia sa môže líšiť od deklarovanej hodnoty, v rámci ktorej je stroj používaný; kvôli svojej ochrane by mal používateľ nosiť rukavice a ochranu sluchu podľa aktuálnych podmienok použitia.

OBSAH BALENIA

NÁZOV DIELU	MNOŽSTVO
Kosačka na trávu	1
Zberný kôš	1
Konštrukcia zberného koša	1
Mulčovacia vložka	1
Bezpečnostný kľúč	2
Návod na obsluhu	1

POPIS

ZOZNÁMTE SA S KOSAČKOU (obr. A & B & C)

1. Bezpečnostné tlačidlo
2. Samohybný spúšťač
3. Blokovacia svorka rukoväte
4. Zadné dvierka výspyky
5. Zadná rukoväť
6. Kryt akumulátora
7. LED predné svetlá
8. Predná rukoväť
9. Predné koleso
10. Páka na nastavenie výšky kosenia
11. Spodná časť kosačky
12. Zadné koleso
13. Zberný kôš
14. Páka rýchleho nastavenia
15. Bočná lišta
16. Samohybná páka na kontrolu rýchlosti
17. Kyvný prepínač (radiaci páka)
18. Rukoväť
19. Mulčovacia vložka
20. Podpora pri skladovaní vo vzpriamenej polohe
21. Tieniaci štít
22. Vypínač LED predných svetiel
23. Indikátor napájania

PREVÁDZKA

ZOSTAVENIE ZBERNÉHO KOŠA

- 1) Nasadte zberný kôš na konštrukciu (obr. D).
- 2) Pripojte horné svorky ku konštrukcii (obr. E), potom nasadte dve bočné svorky. Ako poslednú nasadte spodnú svorku.

3) Kompletne zostavený zberný kôš je znázornený na obr. F.

UPOZORNENIE: Pri bežnom používaní podlieha zberný kôš opotrebovaniu. Zbernú sústavu často kontroluje a vymeníte ju v prípade, že objavíte známky opotrebovania alebo poškodenia, aby ste znížili riziko poranenia. Používajte iba zberné koše vyrobené pre tento typ kosačky.

NASTAVENIE SKLOPNEJ RUKOVÄTE

VAROVANIE: Nepokúšajte sa zapnúť kosačku, kým nie je rukoväť blokovaná v jednej z troch prednastavených prevádzkových polôh (HORNEJ PREVÁDZKOVEJ POLOHE, STREDNEJ PREVÁDZKOVEJ POLOHE alebo DOLNEJ PREVÁDZKOVEJ POLOHE).

Kosačka je dodávaná s rukoväťou v kompaktnej, ZAFIXOVANEJ POLOHE PRE SKLADOVANIE (obr. G).

- 1) Stlačte a podržte páku rýchleho nastavenia, aby ste uvoľnili rukoväť zo ZAFIXOVANEJ POLOHY PRE SKLADOVANIE (obr. H-1).
- 2) Zdvihnite rukoväť zo sklopenej polohy, potom uvoľnite páku. Jemne otočte rukoväťou smerom nahor, až kým nebudete počuť a neucítite, že poistný kolík zapadol do jednej z polôh tak, ako je znázornené na obr. H.
 - POLOHA PRI NASADENÍ / VYŇATÍ ZBERNÉHO KOŠA (obr. H-2).
 - HORNÁ PREVÁDZKOVÁ POLOHA (obr. H-3).
 - STREDNÁ PREVÁDZKOVÁ POLOHA (obr. H-4)
 - DOLNÁ PREVÁDZKOVÁ POLOHA (obr. H-5).

NASADENIE / VYŇATIE ZBERNÉHO KOŠA / MULČOVACEJ VLOŽKY

VAROVANIE: Predtým než začnete vykonávať zmeny nastavenia kosačky, vždy najskôr vypnite motor, vytiahnite bezpečnostný kľúč a počkajte, kým sa nôž prestane otáčať.

UPOZORNENIE: Pred kosením pripevnite ku kosačke všetko príslušenstvo.

- Nasadenie / Vyňatie zberného koša (obr. I)

UPOZORNENIE: Odstráňte inštalovanú mulčovaciu vložku v kosačke predtým, než k nej pripojíte zberný kôš.

- Nasadenie / Vyňatie mulčovacej vložky (obr. J)

NASTAVENIE VÝŠKY KOSENIA (obr. K)

VAROVANIE: Dbajte na to, aby boli vaše nohy v bezpečnej vzdialenosti od spodnej časti kosačky pri nastavovaní jej výšky. Kosačku je možné nastaviť na 5 výšok kosenia v rozmedzí od 28 mm do 94 mm. Vyberte si správnu výšku kosenia podľa typu a stavu trávy.

UPOZORNENIE: Pri presune stroja sa uistite, že výška kosenia je nastavená na polohu 3 a vyššie. Ak tak neurobíte, môže dôjsť k poškodeniu noža.

NASADENIE / ODPOJENIE AKUMULÁTORA (obr. L)

PRED PRVÝM POUŽITÍM HO NABITE.

VAROVANIE: Ak je niektorý diel pokazený alebo chýba, nepokúšajte sa akumulátor pripojiť do kosačky alebo s kosačkou pracovať, až kým sa pokazený alebo chýbajúci diel nevymení. Ak tak neurobíte, môže dôjsť k vážnemu zraneniu.

- **Nasadenie**
Zatlačte akumulátor do priestoru pre batériu, až kým nezačujete "cvaknutie".
- **Odpojenie**
Stlačte tlačidlo na uvoľnenie batérie v priestore na batériu.
- Obr. L pozri nižšie popis dielov:

L-1	Otvor na bezpečnostný kľúč
L-2	Bezpečnostný kľúč
L-3	Tlačidlo na uvoľnenie batérie

UPOZORNENIE: Pred použitím sa uistite, že západka na kosačke zapadla na svoje miesto a že akumulátor je pripevnený ku kosačke.

SPUSTENIE / ZASTAVENIE KOSAČKY

VAROVANIE: Používanie akejkoľvek kosačky môže spôsobiť vymrštenie cudzích predmetov do očí, čo môže mať za následok vážne poškodenie zraku. Počas prevádzky, nastavovania alebo opravy kosačky vždy používajte ochranné okuliare.

VAROVANIE: Nepoužívajte kosačku v daždi.

VAROVANIE: Počas používania kosačky zabezpečte, aby osoby a domáce zvieratá zostali vo vzdialenosti aspoň 30m.

VAROVANIE: Nôž sa bude aj po vypnutí kosačky počas niekoľkých sekúnd naďalej točiť. Pred opätovným spustením nechajte motor/nôž úplne zastaviť. Nezapínajte a nevyvíňajte kosačku v rýchlom slede za sebou.

POZNÁMKA: Motor nie je možné spustiť, ak:

- Je rukoväť je blokovaná v jednej z prevádzkových polôh.
- Bočné lišty sú plne vysunuté (obr. M).
- Obe zelené svorky na blokovanie rukoväte sú pevne zatvorené (obr. N).

⚠ VÝSTRAHA: Nepokúšajte sa o anulovanie funkcie bezpečnostného tlačidla a kynného prepínača.

Spustenie (obr. P)

- 1) Pripojte akumulátor ku kosačke, vložte bezpečnostný kľúč do otvoru a zavorte kryt akumulátora (obr. L).
- 2) Podľa obr. O stlačte bezpečnostné tlačidlo.
- 3) Keď je bezpečnostný kľúč stlačený, potiahnite kynný prepínač smerom nahor k rukoväti a uvoľnite bezpečnostný kľúč.

Zastavenie (obr. Q)

- 1) Uvoľnite kynný prepínač.
- 2) Elektrická brzda automatického brzdneho mechanizmu zastaví otáčanie noža do 3 sekúnd po uvoľnení kynného prepínača.

SAMOHYBNÝ SYSTÉM S PREMENLIVOU RÝCHLOSŤOU

Kosačka LM2120E-SP je vybavená samohybnou schopnosťou s premenlivou rýchlosťou. Tento systém je nezávislý na vypínači noža ON-OFF; nie je závislý na rotácii noža.

Ak chcete používať systém bez rotácie noža, zatiahnite samohybný spúšťač k rukoväti.

Pre vypnutie samohybný spúšťač uvoľnite.

Systém má premenlivú rýchlosť. Ak chcete rýchlosť zvýšiť, posuňte ovládaciu páku rýchlosti samohybného systému dopredu. Ak chcete rýchlosť znížiť, posuňte ovládaciu páku rýchlosti samohybného systému dozadu (obr. R).

Používanie otáčajúceho sa noža na kosenie:

1. Zapnite kosačku.
2. Podržte ľavou rukou kynný prepínač proti rukoväti, zatiahnite samohybný spúšťač pravou rukou k rukoväti.
3. Podržte naraz kynný prepínač a samohybný spúšťač proti rukoväti pravou rukou a použite ľavú ruku na nastavenie kontrolnej páky rýchlosti samohybného systému na výber požadovanej rýchlosti.

UPOZORNENIE: Počas kosenia môže byť jednoduchšie kosiť okolo predmetu, napríklad stromu alebo rastlín, s vypnutým samohybným systémom.

VAROVANIE: Ak chcete znížiť riziko zranenia, nikdy sa nepokúšajte anulovať funkciu prepínača alebo samohybného systému. Používajte samohybný pohon iba na daný účel.

LED PRACOVNÉ SVETLÁ NA KOSAČKE (obr. A-7)

Stlačte tlačidlo vypínača (obr. C-22) na zapnutie/vypnutie LED pracovných svetiel v prednej časti priestoru na batériu.

INDIKÁTOR NAPÁJANIA NA KOSAČKE (obr. S)

Kosačka je vybavená indikátorom napájania, ktorý ukazuje stav nabitia akumulátora a prevádzkový stav kosačky. Indikátor napájania sa rozsvieti, keď sa nôž otáča alebo keď sú zapnuté LED pracovné svetlá.

Indikátor napájania na kosačke	Význam	Činnosť
Svietiaci zelený	Kosačka funguje správne; batéria je nabitá na minimálne 15%	Neuvádza sa
Svietiaci červený	Slabá batéria	Zastavte kosačku a nabite akumulátor
Blikajúci červený	Batéria je takmer vybitá	Zastavte kosačku a nabite akumulátor
Svietiaci oranžový	Kosačka alebo akumulátor je prehriaty	Vyberte batériu z kosačky, presuňte ich do tieňa a nechajte vychladnúť aspoň 15 minút
Blikajúci oranžový	Kosačka je preťažená	Spomaľte tempo, alebo zvýšte výšku kosenia, aby ste znížili záťaž

OCHRANA PROTI PREŤAŽENIU KOSAČKY

Aby nedošlo k poškodeniu v dôsledku stavu preťaženia, snažte sa nekosiť príliš veľa trávy naraz. Spomaľte tempo kosenia alebo zvýšte výšku kosenia.

Kosačka má vstavanú ochranu proti preťaženiu obvodu. Keď je kosačka preťažená, motor sa zastaví a indikátor napájania na kosačke bude blikať na oranžovo. Vyberte akumulátor z kosačky. Skontrolujte, či sa na spodnej strane kosačky nenahromadila tráva a v prípade potreby ju odstráňte. Potom nasadíte batériu a kosačku znovu zapnete.

VYSOKOTEPELNÁ OCHRANA BATÉRIE

Akumulátor bude počas prevádzky tvoriť teplo. Teplo sa rozptyľuje pomalšie v horúcom počasí. Ak počas používania teplota batérie prekročí 70 °C, ochranný obvod okamžite vypne kosačku, aby ochránil akumulátor pred poškodením. Indikátor napájania na kosačke bude svietiť na oranžovo. Uvoľnite rukoväť, počkajte, až sa batéria ochladí na približne 67 °C a potom znovu kosačku zapnete.

ÚDRŽBA

VAROVANIE: Ak chcete predísť vážnemu poraneniu osôb, vyťahnite bezpečnostný kľúč z kosačky pred čistením, vykonávaním údržby alebo jej prepravou.

VAROVANIE: Pri údržbe používajte iba identické náhradné diely. Použitie iných dielov môže byť nebezpečné a môže spôsobiť poškodenie výrobku. Pre zaistenie bezpečnosti a spoľahlivosti by mal všetky opravy a výmeny vykonávať len kvalifikovaný servisný technik.

ČISTENIE KOSAČKY

Spodnú časť konštrukcie kosačky je potrebné čistiť po každom použití, aby ste zabránili hromadeniu pokosenej trávy, lístia, hlíny a iných nečistôt.

Odstráňte všetku nahromadenú trávu a lístie na hnacom hriadeľi alebo okolo neho (iba typ LM2120E-SP) a z ventilátora motora (nepoužívajte vodu). Utrite kosačku dočista vlhkou handričkou.

ODSTRÁNENIE/NASADENIE NOŽA

VAROVANIE: Pri vykonávaní údržby noža kosačky vždy noste pevné rukavice alebo zabaľte rezné hrany do handier alebo iných materiálov, aby ste si chránili ruky. Pri údržbe alebo preprave kosačky vždy vyťahnite akumulátor.

■ Odstránenie noža

V nadväznosti na obr. T.

UPOZORNENIE: V prípade, že sa skrutka otáča s hriadeľom motora, pri uvoľňovaní skrutky otočte ručne vrtuľu s cieľom dať do jednej línie otvory vo vrtuľi s otvormi v noži a umiestnite do vycentrovaných otvorov ďalšiu kovovú tyč (obr. U).

■ Nasadenie noža

V nadväznosti na montážny postup z obr. V, kedy vrtuľa s nožom smeruje k spodnej časti a vydutá strana noža smerom von, nastavte otvory vrtule do roviny s otvormi v noži (obr. W) a potom utiahnite nôž podľa obr. X.

Obr. U & V pozri nižšie popis dielov:

U-1	Stabilizátor 1	V-2	Vnútoraná príruha
U-2	Stabilizátor 2	V-3	Nôž
U-3	14 mm francúzsky kľúč	V-4	Vonkajšia príruha
V-1	Vrtuľa	V-5	Skrutka

UPOZORNENIE: Odporúčaný krútiaci moment pre utiahnutie skrutky noža je 49-59Nm.

SKLADOVANIE KOSAČKY

- Vyberte akumulátor z kosačky a uložte ho na chladnom, suchom a čistom mieste. Neskladujte ho v blízkosti korozívnych materiálov, ako sú hnojivá alebo kamenná soľ.
- Skladujte kosačku v zastrešenom, uzavretom, chladnom a suchom priestore, mimo dosahu detí.
- Nezakrývajte kosačku pevnou plastovou fóliou. Plastové obaly zachytávajú vlhkosť okolo kosačky, čo spôsobuje hrdzavenie.
- Kosačka môže byť uložená vzpriamene alebo ležato (pozri obr. Y).

VAROVANIE: Ak sa kosačka začne preklápať zo zvislej polohy, môže dôjsť k jej poškodeniu či zraneniu osôb. Dávajte pozor na to, aby bola kosačka stabilná a mimo dosahu detí, ak je vo zvislej polohe. Pokiaľ je to možné, skladujte ju na ležato.

KES VAN DER SPEK
TUINMACHINES * STOLWIJK

Ochrana životného prostredia



Nevyhadzujte elektrické zariadenie, nabíjačku batérií a batérie/nabíjateľné batérie do komunálneho odpadu!

Podľa Zákona EÚ 2012/19/EÚ a Zákona EÚ 2006/66/EC sa elektrické a elektronické zariadenia, ktoré sa už nedajú používať, a chybné alebo použité akumulátory/batérie musia zberať oddelene.

Ak sa elektrické spotrebiče vyhodia na skládku alebo smetisko, môžu nebezpečné látky unikať do podzemných vôd a dostať sa do potravinového reťazca, čo spôsobuje poškodenie zdravia.

ES VYHLÁSENIE O ZHODE

My, EGO EUROPE GMBH

Wahlwiesenstrasse 1, D-71711 Steinheim an der Murr Deutschland

vyhlasuje, že výrobok **56V lítium-iónová akumulátorová kosačka LM2120E/LM2120E-SP** spĺňa základné požiadavky na ochranu zdravia a bezpečnosti podľa týchto smerníc:

2006/42/ES, 2014/30/EÚ, 2011/65/EÚ, 2000/14/ES

Normy a technické špecifikácie vzťahujúce sa na:

EN 60335-1, EN 60335-2-77, EN 62233, EN 55014-1, EN 55014-2

	LM2120E	LM2120E-SP
Nameraná hladina akustického výkonu:	89,9 dB(A)	89,5 dB(A)
Garantovaná hladina akustického výkonu:	92 dB(A)	92 dB(A)

Postup posudzovania zhody prílohy VI je v súlade s 2000/14/ES.

Notifikovaný orgán: Société Nationale de Certification et d'Homologation

Číslo notifikovaného orgánu:0499

KEES VAN DER SPEK
TUINMACHINES * STOLWIJK

Peter Melrose
Výkonný riaditeľ
EGO Europe GmbH

Dong Jianxun
Manažér kvality spoločnosti
Chervon

SK

* (Autorizovaný zástupca pre spoločnosť Chervon a osoba zodpovedná za technickú dokumentáciu)

01/09/2016

RIEŠENIE PROBLÉMOV

VAROVANIE: Pri údržbe alebo preprave kosačky vždy vyťahnite bezpečnostný kľúč a akumulátor. Pri vykonávaní údržby noža kosačky vždy noste pevné rukavice alebo zabalte rezné hrany do handier alebo iných materiálov, aby ste si chránili ruky.

PROBLÉM	PRÍČINA	RIEŠENIE
Kosačka sa nedá zapnúť	<ul style="list-style-type: none"> ■ Akumulátor je vybitý. ■ Akumulátor nie je pripojený na správnom mieste v priestore pre batérie. ■ Obvody batérie alebo kosačky sú príliš horúce. (Indikátor napájania na kosačke bude svietiť na oranžovo po dobu 10 sekúnd) ■ Bočné lišty nie sú rozťahnuté na maximálnu dĺžku a svorky nie sú zatvorené v správnej polohe. ■ Rukoväť nie je nastavená na jednu z dvoch prevádzkových polôh. ■ Spodná časť kosačky je upchatá trávou a nečistotami. 	<ul style="list-style-type: none"> ■ Nabite akumulátor. ■ Pripojte akumulátor do kosačky, zatlačte ho, kým nezačujete cvaknutie. ■ Nechajte batériu alebo kosačku vychladnúť, až kým teplota neklesne pod 67 °C. ■ Úplne natiahnite rukoväť a zatvorte obe svorky. ■ Nastavte rukoväť do jednej z dvoch prevádzkových polôh. ■ Vyčistite spodnú časť kosačky a uistite sa, že nôž sa voľne pohybuje.
Kosačka kosí nerovnomerne	<ul style="list-style-type: none"> ■ Nôž je tupý. ■ Výška kosenia nie je správne nastavená. ■ Nôž nie je správne nasadený. 	<ul style="list-style-type: none"> ■ Naostrite alebo vymeňte nôž. ■ Zdvihnite spodnú časť na nastavenie vyššej výšky kosenia. ■ Znovu nasadte nôž podľa časti „NASADENIE NOŽA“ tohto návodu.
SK Kosačka sa pri kosení zastavuje	<ul style="list-style-type: none"> ■ Akumulátor je vybitý. ■ Kosačka je preťažená. ■ Spodná časť kosačky je upchatá trávou a nečistotami. ■ Obvody batérie alebo kosačky sú príliš horúce. (Indikátor napájania na kosačke bude svietiť na oranžovo po dobu 10 sekúnd.) ■ Bočná lišta sa pri tlaku na rukoväť trochu sťahne. 	<ul style="list-style-type: none"> ■ Зарядите батарею. ■ Увеличьте высоту среза или снизьте скорость работы. ■ Очистите платформу газонокосилки. Увеличьте высоту среза или скашивайте более узкую полосу травы. ■ Подождите, пока батарея или газонокосилка не остынут до 67°C. ■ Ослабьте фиксаторы. Вытяните боковые направляющие до конца и снова зафиксируйте их.

PROBLÉM	PRÍČINA	RIEŠENIE
Kosačka nedostatočne mulčuje	<ul style="list-style-type: none"> ■ Mokrý odrezky trávy sú prilepené na spodnej časti kosačky. ■ Kosačka je nastavená na kosenie príliš veľkého množstva trávy naraz. 	<ul style="list-style-type: none"> ■ Pred kosením nechajte trávu vyschnúť. ■ Zdvihnite spodnú časť na nastavenie vyššej výšky kosenia.
Stroj nadmerne vibruje	<ul style="list-style-type: none"> ■ Rezný nôž je uvoľnený. ■ Rezný nôž je nevyvážený. ■ Kutterbladet er bøyd. ■ Hriadeľ motora je ohnutý. 	<ul style="list-style-type: none"> ■ Utiahnite skrutku noža. ■ Vyvážte nôž podľa návodu. ■ Vymeňte nôž. ■ Kontaktujte servisné stredisko.
Uzatváratelné svorky rukoväte sa nedajú zatvoriť v danej polohe.	<ul style="list-style-type: none"> ■ Bočné lišty nie sú úplne vysunuté. 	<ul style="list-style-type: none"> ■ Úplne vysuňte bočné lišty, potom zatvorte svorky.

ZÁRUKA

ZÁRUČNÁ POLITIKA EGO

Navštívte webové stránky egopowerplus.com pre úplné podmienky záručnej politiky spoločnosti EGO.

KEES VAN DER SPEK
TUINMACHINES ★ STOLWIJK

OLVASSA EL AZ ÖSSZES UTASÍTÁST!



OLVASSA EL A HASZNÁLATI ÚTMUTATÓT

⚠ Maradék kockázat! Az elektronikus készülékekkel, például pacemakerrel, élő emberek a termék használata előtt kérjék ki orvos véleményét. Az elektromos felszerelés a szív pacemakerhez közel való működtetése interferenciát vagy meghibásodást okozhat a pacemakerben.

⚠ FIGYELMEZTETÉS: A biztonságosság és megbízhatóság biztosítása érdekében minden javítást szakképzett szerviztechnikus hajtson végre.

Rendeltetészerű használat és előrelátható helytelen használat: A termék kizárólag otthon, kertben fű nyírására alkalmas. Nem szabad magas, száraz vagy nedves fűvet nyírni, pl. legelőn, és levelek aprítására használni. A terméket csak az előírt célokra használja. Bármilyen más használat helytelen használatnak minősül.

BIZTONSÁGI SZIMBÓLUMOK

A biztonsági szimbólumok célja, hogy felhívják a figyelmet az esetleges veszélyekre. Nagyon figyeljen a biztonsági szimbólumokra és magyarázatokra, ill. ezek megértésére. A szimbólumok figyelmeztetései önmagukban nem hártják el a veszélyeket. Az utasítások és figyelmeztetések nem helyettesítik a megfelelő balesetmegelőző intézkedéseket.

⚠ FIGYELMEZTETÉS: A szerszám használata előtt feltétlenül olvassa el a jelen használati útmutató minden biztonsági utasítását, a „VESZÉLY”, „FIGYELMEZTETÉS” és „FIGYELEM” biztonsági szimbólumokat is. Az alább felsorolt utasítások be nem tartása áramütést, tűzveszélyt és/vagy súlyos személyi sérülést idézhet elő.

SZIMBÓLUM JELENTÉSE

BIZTONSÁGI SZIMBÓLUM: VESZÉLYT vagy **FIGYELMEZTETÉST** jelöl. Más szimbólumokkal vagy rajzokkal együtt használható.

⚠ FIGYELMEZTETÉS: Bármely elektromos kéziszerszám működtetése azzal járhat, hogy idegen tárgyak szembe kerülnek, amely súlyos zemsérüléseket okozhat. Az elektromos kéziszerszám működtetése előtt, mindig vegyen fel oldalsó védőlemezzel ellátott védőszemüveget és a teljes védőárlarcot, ha szükséges. Javasoljuk, hogy viseljen Wide Vision Safety Mask-ot (védőárlarc) a védőszemüveg fölött vagy standard védőszemüveget oldalsó védőlemezzel.

BIZTONSÁGI UTASÍTÁSOK

Ezen az oldalon olyan biztonsági szimbólumok láthatók és olvashatók, amelyek megjelenhetnek a terméken. Az összeszerelés vagy működtetés előtt olvassa el, értse meg és tartsa be a gép minden utasítását.

	Biztonsági figyelmeztetés	Az Ön biztonságát érintő óvintézkedések.
	Viseljen szemvédőt	Mindig viseljen védőszemüveget vagy oldalsó védőlemezzel ellátott védőszemüveget és teljes védőárlarcot a termék működtetése közben.
	Olvassa el a használati útmutatót	A sérülések kockázatának csökkentése érdekében a használat előtt el kell olvasnia, és meg kell értenie a használati útmutatót.
	Legyen óvatos az éles pengékkel.	A kések a motor leállítása után is forognak – karbantartás előtt távolítsa el az üzemen kívül helyezett készüléket. Beállítás vagy tisztítás előtt kapcsolja ki, és vegye ki a kivehető akkumulátoregységet (vagy üzemen kívül helyezett készüléket).
	Tartsa távol a nézelődőket	Ügyeljen arra, hogy más személyek és a háziállatok legalább 30 m távolságban legyenek a fűnyíró használat közben.
	II. osztályú konstrukció	Kettős szigetelésű szerkezet.
IPX4	IP szimbólum	Víz behatolása elleni védelmi szint: 4.
V	volt	Feszültség

A	amper	Aktuális
Hz	hertz	Frekvencia (ciklusok másodpercenként)
W	watt	Teljesítmény
min	perc	Idő
	Váltakozó áram	Áram típusa
	Egyenáram	Áram típusa vagy jellemzői
n_0	Üresjárat fordulatszám	Forgási sebesség üresjáraton
.../min	Percenként	Fordulat percenként

BIZTONSÁGI SZABÁLYOK A VEZETÉK NÉLKÜLI FÚNYÍRÓHOZ

⚠ VESZÉLY: A gépet arra tervezték, hogy a jelen használati útmutatóban lévő utasításoknak megfelelően működtessék. Ahogy bármilyen másik elektromos készüléknél, a kezelő elővigyázatlanága vagy hibája súlyos sérülést okozhat. A gép a kéz, láb és tárgyak sérülését okozhatja. A biztonsági utasítások figyelmen kívül hagyása esetén súlyos vagy halálos sérülést okozhat.

⚠ FIGYELMEZTETÉS: A vezeték nélküli fűnyíró használata közben mindig tartsa be a következő alapvető biztonsági óvintézkedéseket a tűz, áramütés és személyi sérülések kockázatának csökkentése érdekében.

FONTOS

HASZNÁLAT ELŐTT FIGYELMESEN OLVASSA EL. ŐRIZZE MEG, HOGY KÉSŐBB IS FELLAPOZHASSA.

BIZTONSÁGI SZABÁLYOK VEZETÉK NÉLKÜLI FÚNYÍRÓHOZ

VIGYÁZAT – NE NYÚLJON A FORGÓ PENGÉHEZ!

GYAKORLÁS

- Körültekintően olvassa el az utasításokat. Ismerje meg a gép szabályozását és helyes használatát.
- Ne engedélyezze a készülék használatát gyermekeknek vagy olyan személyeknek, amelyek nem ismerkedtek meg az utasításokkal. A helyi rendelkezések korlátozásokat tartalmazhatnak a szerszám működtetőjének életkorára vonatkozóan.
- Soha ne nyírjon fűvet, ha emberek, különösen gyermekek, vagy kis állatok vannak a közelben.

- A szerszám működtetője a felelős azokért a balesetekért vagy veszélyekért, amelyek más embereket érintenek vagy mások vagyontárgyait érintik.

ELŐKÉSZÍTÉS

- A szerszám működtetése közben mindig megfelelő lábbelit és hosszúszerű nadrágot kell viselni.
- Ne használja a készüléket meztitűb vagy nyitott cipőben. Ne viseljen bő ruházatot, vagy amelyen szalagok vagy zsinórok lógnak.
- Alaposan vizsgálja meg a területet, ahol a készüléket használni fogja és távolítsa el minden követ, botot, vezetéket, csontot és minden más idegen tárgyat.
- Használat előtt mindig ellenőrizze szemrevételezéssel, hogy a pengék és penge csavarok nem kopottak-e el vagy nem sérültek-e meg. Készletek formájában cserélje a kopott pengéket és csavarokat az egyensúly fenntartása érdekében. A sérült vagy olvashatatlan címkéket cserélje ki.

ÜZEMELTETÉS

- Csak nappali világosságnál vagy megfelelő mesterséges megvilágítás mellett nyírjon fűvet.
- Ha lehetséges, kerülje a készülék használatát nedves fűben.
- Ha lejtős terepen van, mindig ügyeljen rá, hova lép.
- Sétáljon, soha ne fusson.
- Kerek fűnyírók esetén lejtőkön mindig keresztirányba nyírja a fűvet, soha ne fel és le.
- Legyen különösen elővigyázatos, amikor irányt vált a lejtőn.
- Ne használja a fűnyírót túlságosan meredek lejtőkön.
- Legyen rendkívül óvatos, ha megfordítja vagy önmaga felé húzza a fűnyírót.
- Állítsa le a pengé(ke)t, ha a készüléket meg kell döntenie szállításhoz, mert nem füves területen kell füves területre átvinni, vagy onnan visszahozni.
- Soha ne használja a készüléket hibás pajzsokkal vagy biztonsági egységek nélkül, például ha a kidobó és/vagy a fűgyűjtő rész nincs a helyén.
- Kapcsolja be a motort az utasítások szerint, és megfelelő távolságban állva a pengé(ke)től.
- Bekapcsolás közben ne döntse meg a készüléket, kivéve, ha a készüléket csak így tudja elindítani. Ebben az esetben, ne döntse meg jobban, mint amennyire szükséges, és csak a felhasználótól távolabb lévő részt emelje meg. Mindig győződjön meg róla, hogy a két keze a használati helyzetben vannak, mielőtt visszatérne a géphez.
- Ne indítsa el a fűnyírót, ha szemben áll a kidobónyílással.

- Ne tegye kezét vagy lábfejét a forgó alkatrészek alá. A fűnyírón mindig tartsa tisztán a fűgyűjtő nyílásokat.
- Bekapcsolt állapotban soha ne emelje fel vagy cipelje a készüléket.
- Kapcsolja ki, és távolítsa el a kivehető akkumulátoregységet (vagy üzemen kívül helyezett készüléket), és ellenőrizze, hogy minden mozgó alkatrész teljesen leállt-e beállítás vagy tisztítás előtt:
 - Amikor otthagyja a gépet;
 - Az elakadás ellenőrzése és a belső tisztítás előtt;
 - Mielőtt ellenőrzi, tisztítja vagy bármilyen más munkát végez a készüléken;
 - Ha idegen tárgyba akad. Vizsgálja át a készüléken a károk, majd javítsa meg, ha szükséges.
- Ha a készülék rendellenesen remegni kezd (azonnal ellenőrizze):
 - Ellenőrizze a sérüléseket;
 - Cserélje ki, vagy javítsa meg a sérült alkatrészeket;
 - Ellenőrizze a laza alkatrészeket, hogy meg kell-e őket húzni.

KARBANTARTÁS ÉS TÁROLÁS

- Legyen óvatos a készülék beállításánál, hogy megelőzze az ujjai mozgó kések vagy rögzített részek közé szorulását.
- Az összes csavar, alátét és hasonló rész legyen jól meghúzva, hogy a gép biztonságos munkaállapotban legyen.
- Gyakran ellenőrizze a fűgyűjtőt, nem kopott vagy sérült-e meg.
- Biztonsági okokból cserélje ki az elkopott vagy megsérült alkatrészeket.
- Felügyelet nélkül gyermekek nem végezhetik a készülék tisztítását és karbantartását.
- A kések szervizelésénél vegye figyelembe, hogy bár a gép lekapcsolt állapotban van, a kés még mozoghat.
- Ellenőrizze, hogy csak a megfelelő típusú csere pengét használja a fűnyíróhoz.

SZEMÉLYI BIZTONSÁG

Tragikus balesetek történhetnek, ha a kezelő nem ügyel arra, hogy gyermekek is jelen vannak. A gyermekek gyakran érdeklődnek a fűnyíró és a fűnyírás iránt. Ők még nem fogják fel a veszélyeket. Soha ne feltételezze, hogy a gyermekek ott maradnak, ahol utoljára látta őket.

- Tartsa távol a gyermekeket a fűnyírás területétől, és legyenek olyan felelős felnőtt figyelő felügyelete alatt, aki nem a kezelő.

- Legyen körültekintő, és kapcsolja ki a fűnyíró, ha gyermek lép a területre.
- Legyen rendkívül óvatos, amikor beláthatatlan kanyarhoz, kapuhoz, sövényekhez, fákhöz vagy más olyan tárgyakhoz közelít, amelyek miatt nem nem látja, ha egy gyermek a fűnyíró felé szalad.
- A gyerekeket szemmel kell tartani, hogy ne játsszanak a fűnyíróval.
- Mindig kapcsolja ki a fűnyíró, amikor kiveszi az akkumulátoregységet a szerszámból. Állítsa le a pengé(ke)t, ha a készüléket meg kell dönteni szállításhoz, mert nem füves területen kell füves területre átvinni, vagy onnan visszahozni.

ÜZEMELTETÉS

ÁLTALÁNOS ÜZEMELTETÉS:

- Alaposan olvassa el a használati útmutató, mielőtt megpróbálja összeszerelni a gépet. Összeszerelése előtt olvassa el, értse meg és tartsa be a gépen és a használati útmutatóban lévő minden utasítást. Működtetés előtt ismerje meg a gép vezérlését és megfelelő használatát. Biztonságos helyen őrizze a használati útmutatót, és rendszeresen nézze meg, ill. ez alapján rendeljen cserealkatrészeket.
- Megfelelő készülék használata – Ne használja a fűnyíró más munkához, csak amire készült.
- Ne hajojon túl – Vegyen fel stabil testhelyzetet, és mindig tartsa meg az egyensúlyát.
- A fűnyíró pengéjébe beakadó tárgyak súlyos sérüléseket okozhatnak. A fűnyíró minden fűnyírás előtt gondosan vizsgálja át, és tisztítsa meg a tárgyaktól.
- Mielőtt és mialatt hátrafelé nyírja a fűvet, nézzon hátra és lefelé, hogy nincsenek-e ott kisgyermekek vagy más személyek.
- Ez a gép nem játék. Ezért mindig a legnagyobb óvatossággal használja. Az egység egy munkához készült: ez a fűnyírás. Ne használja más célra.
- Ne erőltesse a fűnyíró – jobban és biztonságosabban dolgozhat a megadott teljesítményhatárokon belül.
- Használat előtt mindig ellenőrizze szemrevételezéssel, hogy a pengék és penge csavarok nem kopottak-e el vagy nem sérültek-e meg. Az elkopott vagy megsérült pengéket és más alkatrészeket egyszerre cserélje ki az egyensúly megtartása érdekében. A sérült vagy olvashatatlan címkéket cserélje ki.
- Legyen rendkívül óvatos, ha megfordítja vagy önmaga felé húzza a fűnyíró.

- Alaposan vizsgálja meg a területet, ahol a készüléket használni fogja. Távolítsa el minden követ, botot, vezetéket, játékok és más idegen tárgyakat, amelyekben meg lehet botlani, vagy a penge felveheti, és kilökheti. A kilökött tárgyak súlyos személyi sérüléseket okozhatnak. Tervezze meg a fűnyírás útvonalát, hogy ne szórjon anyagokat utak, járdák, nézelődők és hasonlók felé. Ne szórjon anyagokat falak vagy akadályok felé sem, mert az anyagok visszapattanhatnak a kezelő felé.
- Működtetés közben maradjon a kezelői területen a fogantyúk mögött, hogy ne érjen a pengéhez, és ne sérüljön meg repülő tárgyak miatt, és a gyermekeket, nézelődőket, segítőkét és állatokat tartsa 30 m távol a fűnyírótól. Állítsa le a gépet, ha valaki a területre lép.
- Működtetés, beállítás vagy javítás közben mindig viseljen védőkesztyűt vagy védőszemüveget, hogy védje a szemét. A visszapattanó tárgyak súlyos sérülést okozhatnak a szemben. Mindig használjon arc- vagy porvédő maszkot, ha a működtetés porral jár.
- Megfelelően öltözzön fel – Ne viseljen laza ruházatot vagy ékszereket. Beakadhatnak a mozgó alkatrészekbe. Amikor kint dolgozik, gumikesztyűt és cipő viselése javasolt. Viseljen könnyű, durva talpú munkacipőt, valamint szűk nadrágot és pólót. Javasoljuk, hogy kart és lábat elfedő nadrágot és pólót, ill. acélbetétes cipőt viseljen. Soha ne működtesse a gépet mezítáb, szandálban, csúszós vagy könnyű (pl. vászonn) cipőben.
- Ne tegye a kezét vagy lábát a forgó alkatrészekhez, vagy a vágóegység burkolata alá. Ha a pengéhez ér, megsebesítheti a kezét vagy lábát.
- A hiányzó vagy sérült burkolat miatt hozzáérhet a pengéhez, és a repülő tárgyak miatt megsérülhet.
- Számos sérülés azért történik, mert a kezelő áttolja a fűnyírót a lábán, mert megcsúszott vagy megbotlott. És közben ne kapaszkodjon a fűnyíróba; azonnal engedje el a fogantyút.
- Menet közben soha ne tolja a fűnyírót maga felé. Amikor vissza kell húznia a fűnyírót faltól vagy akadálytól, akkor mindig nézzzen le és hátra, nehogy megbotoljon, és kövesse az alábbi lépéseket:
 - Lépjön hátra a fűnyírótól, és teljesen nyújtsa ki a karját.
 - Legyen kellő egyensúlyban és testhelyzetben.
 - Lassan húzza vissza a fűnyírót, de csak félútig.
 - Ismétlje meg ezeket a lépéseket, ha szükséges.
- Ne működtesse a fűnyírót alkohol vagy kábítószer hatása alatt.
- Soha ne használja a készüléket hibás pajzsokkal vagy biztonsági egységek nélkül, például ha a kidobó és/vagy a fűgyűjtő rész nincs a helyén.
- Legyen figyelmes – figyeljen oda arra, amit csinál. Használja a józan eszét. Ne használja a fűnyírót, ha fáradt.
- A motor/penge szabályozó fogantyú biztonsági berendezés. Soha ne próbálja meg áthidalni a működését. Ha ezt teszi, akkor a biztonsági berendezés működésképtelenné válik, és személyi sérülést okozhat, ha a forgó pengéhez ér. A motor/penge szabályozó fogantyúnak mindkét irányban könnyen kell működnie, és automatikusan vissza kell állnia a kioldott állásba, ha elengedi.
- Kerülje a veszélyes környezetet – Ne használja a fűnyírót nedves vagy viszkes helyeken.
- Ne használja esőben.
- Mindig ügyeljen rá, hova lép. A megcsúszás vagy elesés súlyos személyi sérülést okozhat. Ha úgy érzi, hogy elveszíti az egyensúlyát, azonnal engedje el a motor/penge szabályozó fogantyút, és a penge forgása leáll három másodpercen belül.
- Állítsa le a pengét, ha kavicsos utakon, járdákon megy keresztül.
- Ha a felszerelés rendellenesen vibrálni kezd, akkor azonnal állítsa le a motort, és ellenőrizze az okot. A vibráció általában problémára figyelmeztet.
 - Ellenőrizze a sérüléseket;
 - Cserélje ki, vagy javítsa meg a cserélhető, sérült alkatrészeket;
 - Ellenőrizze, és húzza meg a laza alkatrészeket.
- Soha ne működtesse a fűnyírót megfelelően működő és helyén lévő védőlemez, burkolat, fűgyűjtő zsák, talajlefedő betét, oldalsó fűgyűjtő rekesz, motor/penge szabályozó fogantyú vagy más biztonsági védőfelszerelés nélkül. Soha ne működtesse a fűnyírót sérült biztonsági eszközökkel. Amennyiben nem ezt teszi, személyes sérülést szenvedhet.
- Amennyiben olyan helyzet adódik, amely nem szerepel a jelen használati útmutatóban, akkor óvatosan és kellő mérlegeléssel cselekedjen. Forduljon az EGO ügyfélszolgálatához segítségért.
- Csak az alábbi akkumulátoregységet és töltőt használja:

AKKUMULÁTOREGYSÉG	TÖLTŐ
BA1120E, BA2240E, BA2800, BA3360, BA4200	CH5500E, CH2100E

- Az akkumulátoregységet ki kell venni, mielőtt kielejtené a készüléket.
- Az akkumulátort biztonságosan kell ártalmatlanítani.

MŰKÖDTETÉS LEJTŐN:

A lejtőkön történik a legtöbb csúszás vagy esés baleset, amely súlyos sérülést okozhat. Ha lejtős terepen van, mindig ügyeljen rá, hova lép. A lejtőkön való működtetés különleges odafigyelést igényel. Ha nehézkesnek tartja a fűnyírást lejtőn, akkor ne csinálja.

Teendő:

- A lejtőkön mindig keresztirányba nyírja a fűvet, soha ne fel és le. Legyen különösen elővigyázatos, amikor irányt vált a lejtőn.
- Ügyeljen a lyukakra, kövekre, rejtett tárgyakra, vagy kiemelkedésre, amely miatt megcsúszhat vagy megbotolhat. A magas fűben lehetnek rejtett akadályok.

Tilos:

- Ne használja a fűnyírót szakadékok, árkok vagy gátak közelében, elveszítheti az egyensúlyát vagy a testhelyzetét.
- Ne használja a fűnyírót 15 foknál nagyobb lejtőkön.
- Ne használja a fűnyírót nedves fűvön. Az instabil testhelyzet miatt megcsúszhat.

SZERVIZELÉS

▲ FIGYELMEZTETÉS: A fűgyűjtő zsák komponensei, a burkolat, az oldalsó fűgyűjtő rekesz, a fedőlemez és védőlemez elkophat és megsérülhet, így a mozgó alkatrészek védtelenek maradnak, vagy tárgyak kerülhetnek bele, amely megnöveli a sérülések kockázatát. A biztonság érdekében rendszeresen ellenőrizze az alkatrészeket, és azonnal cserélje ki a sérült alkatrészeket a jelen útmutatóban felsorolt azonos cserealkatrészekre. Forduljon az EGO ügyfélszolgálathoz, vagy a legközelebbi EGO ügyfélszolgálathoz, a javítást és cserét szakképzett szerviztechnikusnak kell elvégeznie.

- Ha a fűnyíró beépített túlterhelés elleni kapcsolója rendszeresen bekapcsol, akkor forduljon az EGO ügyfélszolgálathoz, vagy a legközelebbi EGO ügyfélszolgálathoz.
- Ne mossa tömlővel a fűnyírót; ne kerüljön víz a motorba és az elektromos csatlakozásokba.
- Vegye ki a kulcsot, és a használaton kívüli fűnyírót beltéren tárolja. Zárt helyen való tárolás előtt hagyja kihűlni a motort. A fűnyírót száraz, magas vagy elzárt helyen, gyermekektől távol tárolja.
- Javításkor használjon azonos, a jelen használati útmutatóban felsorolt pótalkatrészeket. Az olyan alkatrészeket használata, amelyek nem felelnek meg az eredeti felszerelés műszaki adatainak, nem megfelelő teljesítményt eredményeznek, és befolyásolják a biztonságot.
- A fűnyíró szervizelése, tisztítása vagy anyagok eltávolítása előtt vegye ki, vagy húzza ki az akkumulátoregységet.

- Tartsa be a tartozékok cseréjére vonatkozó utasításokat.
- Tartsa szárazon, tisztán, olajtól és zsírtól mentesen a fogantyúkat.
- A fűvesztély csökkentése érdekében tartsa a motor burkolatát fűtől, levelektől és hulladékoktól megtisztítva.
- Rendszeres időközönként ellenőrizze a penge és a motor alátéteit, hogy megfelelően szorosak-e. Szemrevételezéssel is ellenőrizze a penge sérülését (pl. behajolt, megrepedt és elkopott). A pengét csak azonos, a jelen útmutatóban felsorolt csere pengére cserélje ki.
- Óvatosan tartsa karban a fűnyírót – tartsa élesen a fűnyíró pengét, és a legjobb és legbiztonságosabb teljesítmény érdekében tisztán. A fűnyíró pengéi élesek, és megvághatják. Tekerje be a pengét, vagy viseljen kesztyűt, és legyen különösen elővigyázatos a szervizelésnél.
- Soha ne vegye le, és ne módosítsa a biztonsági eszközöket. Rendszeresen ellenőrizze, hogy megfelelően működnek-e. Soha ne csináljon olyasmit, ami zavarhatja a biztonsági berendezés funkcióját, vagy csökkenti a biztonsági berendezés általi védelmet.
- Mindig állítsa le a motort a kerekek vagy a vágási magasság beállítása előtt.
- Ha idegen tárgyba akadt, állítsa le a motort, húzza ki a kulcsot, és alaposan nézze át a fűnyírót sérülések szempontjából. A fűnyíró működtetése előtt javítsa ki a sérülést.
- A biztonsági és utasításokkal ellátott címkéket tartsa karban, és cserélje ki, ha szükséges. Forduljon az EGO ügyfélszolgálathoz, vagy a legközelebbi EGO ügyfélszolgálathoz, a javítást és cserét szakképzett szerviztechnikusnak kell elvégeznie.
- **ŐRIZZE MEG EZEKET AZ UTASÍTÁSOKAT.** Időnként olvassa át, és használja, amikor másokat a kéziszerszám használatára tanít be. Ha valakinek kölcsön adja a szerszámot, akkor adja át a használati utasítást is a helytelen használat és lehetséges sérülések elkerülése érdekében.

AZ AKKUMULÁTOR HASZNÁLATA ÉS GONDOZÁSA

- A természetes források megtartása érdekében kérjük, az akkumulátorokat megfelelően ártalmatlanítsa, vagy hasznosítsa újra. A termék lítium-ion akkumulátorokat tartalmaz. A helyi és nemzeti törvények tiltják, hogy a lítium-ion akkumulátorokat normál hulladékok közé dobják. Kérjen tanácsot a helyi újrahasznosító állomástól a lehetséges újrahasznosítási és/vagy ártalmatlanítási lehetőségekről.

- Ha kiveszi az akkumulátoregységet, hogy újrahajósításra vagy ártalmatlanításra vigye, akkor fedje be az akkumulátoregységet nagy teherbírási ragasztószalaggal. Ne próbálja meg szétszerelni vagy megsemmisíteni az akkumulátoregységet, vagy levenni bármely komponensét. A lítium-ion akkumulátorokat megfelelően kell újrahajósítani, vagy ártalmatlanítani. Soha ne érjen a részeihez fém tárgyakkal és/vagy testrészekkel, mivel az rövidzárlatot okozhat. Gyermekektől tartsa távol. Ezen figyelmeztetések be nem tartása tüzet és/vagy súlyos sérülést okozhat.
- NEM MEGFELELŐ KÖRÜLMÉNYEK KÖZÖTT FOLYADÉK SZIVÁROGHAZ AZ AKKUMULÁTORBÓL; NE ÉRJEN EHÉZ. AMENNYIBEN VÉLETLENŰL HOZZÁÉRNE, MOSSA LE VÍZZEL. HA EZ A FOLYADÉK SZEMBE KERÜL, KIEGÉSZÍTŐLEG FORDULJON ORVOSHOZ.** Az akkumulátorból kiszivárgó folyadék irritációt vagy égést okozhat.

Motorfék	IGEN	IGEN
----------	------	------

- A névleges rezgési összérték mérése standard bevizsgálási módszerrel történt, és használatával a szerszámok egymással összehasonlíthatók.
- A névleges rezgési érték a kockázat előzetes felméréséhez is felhasználható.

MEGJEGYZÉS: A rezgés kibocsátás az elektromos szerszám aktuális használata közben eltérhet attól a névleges értéktől, amellyel a szerszámot használják: a kezelő védelme érdekében a használaton kesztyűt és hallásvédőt kell használnia működtetés közben.

CSOMAGOLÁS TARTALMA

ALKATRÉSZ NEVE	MENNYISÉG
Fűnyíró	1
Fűgyűjtő zsák	1
Fűgyűjtő zsák keret	1
Talajfedő betét	1
Biztonsági kulcs	2
Használati útmutató	1

MŰSZAKI ADATOK

Modellszám	LM2120E	LM2120E-SP
Önműködő rendszer	Ne	Taip
Feszültség	56 V	56 V
Üresjáratú fordulatszám	2800 /min	2800 /min
Vágás magassága	28-94 mm	28-94 mm
Vágásmagasság pozíciók	6	6
Burkolat mérete	53 cm	53 cm
Vágásszélesség	52 cm	52 cm
Fűgyűjtő zsák térfogata	70 L	70 L
Fűnyíró súlya (akkumulátoregység nélkül)	22,10 kg	24,55 kg
Penge modell	AB2101	AB2101
Mért hangteljesítményszint L_{WA} $K=2$ dB(A)	89,9 dB(A)	89,5 dB(A)
Hangnyomásszint a kezelő fülénél L_{PA} $K=3$ dB(A)	87 dB(A)	87 dB(A)
Mért hangteljesítményszint L_{WA} (a 2000/14/EK szerint mérve)	92 dB(A)	92 dB(A)
Vibráció a_h $K=1,5$ m/s ²	Bal oldali fogantyú	≤ 2,5 m/s ²
	Jobb oldali fogantyú	≤ 2,5 m/s ²

LEÍRÁS

ISMERJE MEG A LOMBFÚVÓT (A & B & C)

- Biztonsági gomb
- Önműködő trigger
- Fogantyú rögzítő
- Hátsó fűgyűjtő ajtó
- Hátsó fogantyú
- Akkumulátoregység fedél
- LED fejlámpa
- Elülső fogantyú
- Elülső kerék
- Vágásmagasság beállító kar
- Fűnyíró fedél
- Hátsó kerék
- Fűgyűjtő zsák
- Gyors beállító kar
- Oldalsó állvány
- Önműködő sebességszabályozó kar
- Fogantyú kapcsoló (kapcsolókar)
- Fogantyú
- Talajfedő betét
- Álló tároláshoz való tartó

21. Védőlemez
22. Kapcsoló a LED munkalámpához
23. Működési jelzőlámpa

MŰKÖDTETÉS

A FÜGYŰJTŐ ZSÁK ÖSSZESZERELÉSE

- 1) Csúsztassa a fűgyűjtő zsákot a keretre (D ábra).
- 2) Szerelje a felső kapcsolót a keretre (E ábra), majd kapcsolja össze a két kapcsolót. Az alsó kapcsolót tegye fel utójára.
- 3) A teljesen összeszerelt fűgyűjtő zsák a G ábrán látható.

MEGJEGYZÉS: Normál használat esetén a zsák anyaga elhasználódik. A sérülések kockázatának csökkentése érdekében ellenőrizze a zsákot, és cserélje ki, ha kopás vagy sérülés jeleit észleli. Csak az ehhez a fűnyíróhoz gyártott fűgyűjtő zsákot használja.

AZ ÖSSZECUKHATÓ FOGANTYÚ BEÁLLÍTÁSA

FIGYELMEZTETÉS: Ne próbálja meg beindítani a fűnyírót, amíg a fogantyú a két előre beállított működési pozícióban van rögzítve (FELSŐ MŰKÖDÉSI POZÍCIÓ vagy ALSÓ MŰKÖDÉSI POZÍCIÓ).

A fűnyírót kompakt, LEZÁRT TÁROLÁSI POZÍCIÓBAN (G ábra) szállítjuk.

- 1) Nyomja meg, és tartsa lenyomva a gyors beállító kart a fogantyú LEZÁRT TÁROLÁSI POZÍCIÓBÓL való kioldásához (H-1 ábra).
- 2 Vegye ki a fogantyút az összecukott pozícióból, majd oldja ki a kart. Finoman fordítsa a fogantyút felfelé, amíg a rögzítőcsap kattanasát nem hallja, és nem érzi az H ábrán látható különböző pozíciók egyikében.

- FÜGYŰJTŐ ZSÁK CSATLAKOZTATÁSI/LEVÉTELI POZÍCIÓ (H-2 ábra).
- FELSŐ MŰKÖDÉSI POZÍCIÓ (H-3 ábra).
- KÖZÉPSŐ MŰKÖDÉSI POZÍCIÓ (H-4 ábra).
- ALSÓ MŰKÖDÉSI POZÍCIÓ (H-5 ábra).

FÜGYŰJTŐ ZSÁK/TALAJLEFEDŐ BETÉT CSATLAKOZTATÁSA

FIGYELMEZTETÉS: Soha ne végezzen beállítást a fűnyírón, amíg le nem állította a motort, és amíg ki nem vette a biztonsági kulcsot, és amíg a penge forgása le nem állt.

MEGJEGYZÉS: Az alkatrészeket a fűnyírás megkezdése előtt csatlakoztassa a fűnyíróra.

- A fűgyűjtő zsák csatlakoztatása/levétele (I ábra)

MEGJEGYZÉS: Vegye le az előre felszerelt talajlefedő betétet, mielőtt a fűgyűjtő zsákot a fűnyíróra csatlakoztatja.

- A fedőlemez csatlakoztatása/levétele (J ábra)

VÁGÁSI MAGASSÁG BEÁLLÍTÁSA (K ábra)

FIGYELMEZTETÉS: Tartsa távol a lábát a burkolattól, amikor beállítja a magasságot. A fűnyíró 6 vágásmagasságba állítható 28 mm és 94 mm között. A megfelelő vágásmagasságot a fű típusától és állapotától függően válassza ki.

MEGJEGYZÉS: Amikor mozgatja a szerszámot, gondoskodjon arról, hogy a vágásmagasság 3 vagy magasabb pozícióban legyen. Ellenkező esetben a penge sérülését okozhatja.

AZ AKKUMULÁTOREGYSÉG BEHELYEZÉSE/ KIVÉTELE (L ábra)

Az első használat előtt tölts fel.

FIGYELMEZTETÉS: Ha bármilyen alkatrész sérült vagy hiányzik, akkor ne próbálja meg csatlakoztatni az akkumulátoregységet a fűnyírót, és ne működtesse a fűnyírót, amíg a sérült vagy hiányzó alkatrészt ki nem cserélik. Ellenkező esetben súlyos sérülést okozhat.

- **Csatlakoztatás**

Tolja az akkumulátoregységet az akkumulátortartó rekeszbe, amíg kattanasát nem hall.

- **Kivétel**

Nyomja meg az akkumulátor kioldógombot az akkumulátortartó rekeszen.

Az L ábra alkatrészeinek leírását lásd lent:

L-1	Biztonsági kulcslyuk
L-2	Biztonsági kulcs
L-3	Akkumulátor kioldógomb

MEGJEGYZÉS: Ellenőrizze, hogy a zár a fűnyírón a helyére kattant-e, és hogy az akkumulátoregység a fűnyírón rögzítve van-e, mielőtt működtetni kezdené.

A FŰNYÍRÓ INDÍTÁSA/LEÁLLÍTÁSA

FIGYELMEZTETÉS: Bármely fűnyíró működtetése azzal járhat, hogy idegen tárgyak mások szemébe kerülnek, amely súlyos szemsérüléseket okozhat. Mindig viseljen védőszemüveget a fűnyíró működtetése közben, vagy beállítások és javítások végzése közben.

▲ FIGYELMEZTETÉS: Ne használja a fűnyírót esőben.

▲ FIGYELMEZTETÉS: Ügyeljen arra, hogy más személyek és a háziállatok legalább 30 m távolságban legyenek a fűnyíró használatá közben.

▲ FIGYELMEZTETÉS: A penge még egy kis ideig forog a fűnyíró kikapcsolása után. Hagyja, hogy a motor/ penge leálljon, mielőtt újra elindítja. Ne kapcsolgassa gyorsan ki és be a fűnyírót.

MEGJEGYZÉS: A motor nem tud elindulni, amíg:

- A fogantyú a három működési pozíció egyikében van rögzítve, lásd AZ ÖSSZESUKHATÓ FOGANTYÚ BEÁLLÍTÁSA fejezetet.
- Az oldalsó átvány nincs teljesen kihúzva (M ábra).
- A két zöld fogantyú lezáró kapocs nincs biztonságosan lezárva (N ábra).

▲ FIGYELEM: Ne próbálja meg hatástalanítani a biztonsági gomb és fogantyú kapcsolót.

Indítás (P ábra)

- 1) Csatlakoztassa az akkumulátoregységet a fűnyíróhoz, helyezze be a biztonsági kulcsot a kulcsnyílásba, és zárja vissza az akkumulátor fedelét (L ábra).
- 2) Az O ábrának megfelelően nyomja le a biztonsági kulcsot.
- 3) A lenyomott biztonsági gombbal húzza felfelé a fogantyú kapcsolót a fogantyúig, és engedje el a biztonsági kulcsot.

Leállítás (Q ábra)

- 1) Teljesen oldja ki a fogantyú kapcsolót.
- 2) Az automatikus fékező mechanizmusban lévő elektromos fék a fogantyú kapcsoló elengedése után 3 másodpercen belül leállítja a penge forgását.

ÁLLÍTHATÓ SEBESSÉGÜ ÖNMŰKÖDŐ RENDSZER

Az LM2120E-SP fűnyíró állítható sebességű önműködő lehetőséggel van felszerelve. A rendszer független a penge be-ki kapcsolójától; nem függ a penge forgásától.

A rendszer penge forgás nélküli működtetéséhez tolja el az önműködő triggert.

Az önműködő rendszer kikapcsolásához oldja ki az önműködő triggert.

A rendszer különböző sebességekkel működik. A sebesség növeléséhez tolja az önműködő sebességszabályozó kart előre. A sebesség csökkentéséhez tolja az önműködő sebességszabályozó kart hátra (R ábra).

A forgó rotorral való működtetés vágáshoz:

1. Indítsa be a fűnyírót.
2. Mialatt a fogantyú kapcsolót a bal kezével a fogantyú felé tartja, húzza az önműködő triggert jobb kézzel a fogantyúhoz.
3. Tartsa a fogantyú kapcsolót és az önműködő triggert egyidejűleg a fogantyúhoz a jobb kezével, és a bal kezével állítsa be az önműködő sebességszabályozó kart a kívánt sebesség kiválasztásához.

Megjegyzés: Vágás közben könnyebb nyírni például fa vagy növények körül, ha az önműködés ki van kapcsolva.

▲ FIGYELMEZTETÉS: A sérülések kockázatának csökkentése érdekében soha ne próbálja meg hatástalanítani a kapcsolót vagy az önműködő rendszert. Az önműködő rendszert kizárólag azokra a célokra használja, amelyre tervezték.

LED FEJLÁMPAK (A-7 ábra)

Nyomja meg a kapcsolót (C-22 ábra) az akkumulátortartó rekeszen lévő LED fejlámpa ki/bekapcsolásához.

FŰNYÍRÓ TELJESÍTMÉNYJELZŐ (S ábra)

A fűnyíró teljesítményjelzővel van felszerelve, hogy jelezze az akkumulátoregység töltési státuszát és a fűnyíró működési státuszát. A teljesítményjelző világít, ha a penge forog, vagy ha a LED munkalámpa be van kapcsolva.

Fűnyíró teljesítményjelző	Jelentés	Művelet
Zölden világít	A fűnyíró megfelelően működik; az akkumulátor legalább 15%-os töltéssel rendelkezik	N/A
Pirosan világít	Alacsony akkumulátor töltöttségi szint	Állítsa le a fűnyírót, és töltsen fel az akkumulátoregységet.
Pirosan villog	Az akkumulátor majdnem lemerült	Állítsa le a fűnyírót, és töltsen fel az akkumulátoregységet.

Narancssárgán világít	A fűnyíró vagy az akkumulátoregység túlmelegedett	Vegye ki az akkumulátort a fűnyíróból, vigye árnyékba, és hagyja legalább 15 percig hűlni.
Narancssárgán villog	A fűnyíró túlterhelt	Lassítsa le a lépését, vagy növelje meg a vágásmagasságot a terhelés csökkentéséhez.

FŰNYÍRÓ TÚLTERHELÉS ELLENI VÉDELEM

A túlterhelés elkerülése érdekében ne próbáljon meg egyszerre túl sok fűvet nyírni. Lassabban lépkedjen nyírás közben, vagy növelje a vágás magasságát.

A fűnyíró beépített túlterhelés elleni védelemmel rendelkezik. Ha a fűnyíró túlterhelt, akkor a motor leáll, és a teljesítményjelző narancssárga színben villog. Vegye ki az akkumulátoregységet a fűnyíróból. Ellenőrizze, hogy nem gyűlt-e össze fű a burkolat alatt, és szükség esetén tisztítsa meg, majd helyezze be az akkumulátort, és indítsa el a fűnyíró.

AKKUMULÁTOR TÚLMELEGEDÉS ELLENI VÉDELEM

Az akkumulátoregység működés közben felmelegszik. A meleg forró időben lassabban távozik. Ha az akkumulátor hőmérséklete működés közben eléri a 70 °C-ot, a védőáramkör azonnal kikapcsolja a fűnyíró, hogy megvédje az akkumulátoregységet a sérüléstől. A teljesítményjelző narancssárgán világít a fűnyírón, és az akkumulátoron lévő LED narancssárgán villog. Engedje el a fogantyú kapcsolót, várjon, amíg az akkumulátoregység kihűl körülbelül 67 °C-ra, majd indítsa újra a fűnyíró.

HU KARBANTARTÁS

⚠ FIGYELMEZTETÉS: A súlyos személyi sérülések elkerülése érdekében a fűnyíró tisztítása, karbantartása vagy szállítása előtt mindig húzza ki a biztonsági kulcsot.

⚠ FIGYELMEZTETÉS: Javitáskor használjon azonos pótalkatrészeket. Más alkatrészek használata veszélyt okozhat, vagy megrongálhatja a terméket. A biztonságosság és megbízhatóság biztosítása érdekében minden javítást és cserét szakképzett szerviztechnikus hajtson végre.

A FŰNYÍRÓ TISZTÍTÁSA

A fűnyíró burkolat alját minden használat után meg kell tisztítani, mivel egyébként a lenyírt fű, levelek, szennyeződések és más hulladékok felgyülemlenek.

Távolítsa el a lerakódott fűvet vagy leveleket a motor burkolatról vagy körülötte (ne használjon vizet). Majd szárítsa meg a fűnyíró egy száraz ruhával.

A PENGE FELHELYEZÉSE/KIVÉTELE

⚠ FIGYELMEZTETÉS: Mindig védje a kezét nagy teherbírási kesztyűvel vagy úgy, hogy a vágóéleket betekeri rongyokba vagy más anyagokba, amikor karbantartást végez a fűnyíró pengéjén. Mindig vegye ki a biztonsági kulcsot és az akkumulátoregységet a fűnyíró szervizelése vagy szállítása közben.

■ A penge levétele

Kövesse a T ábrát.

MEGJEGYZÉS: Ha a csavar a motortengellyel együtt forog, amikor meglazítja a csavart, akkor kézzel fordítsa meg a propellert, hogy a penge lyukakat a propeller lyukba tudja illeszteni, és helyezzen másik fém rudat az összeillesztett lyukakba (U ábra).

■ A penge felhelyezése

Kövesse az összeszerelés sorrendjét a V ábrán, a propeller a föld irányába mutasson, a penge pereme kifelé nézzen, illessze a propeller lyukait a penge lyukaihoz (W ábra), majd húzza meg a pengét az X ábrán látható módon.

A U & V ábra alkatrészeinek leírását lásd lent:

U-1	Stabilizátor 1	V-2	Belső perem
U-2	Stabilizátor 2	V-3	Penge
U-3	14 mm imbuszkulcs	V-4	Külső perem
V-1	Ventilátor	V-5	Csavar

MEGJEGYZÉS: A javasolt forgatónyomaték a penge csavar meghúzásához 49-59 Nm.

A FŰNYÍRÓ TÁROLÁSA

- Vegye ki az akkumulátoregységet a fűnyíróból, és tárolja hűvös, száraz és tiszta helyen. Ne tárolja maró hatású anyagok mellett, pl. műtrágya vagy kőso.
- A fűnyíró fedett, zárt helyen tárolja, amely hűvös és száraz, és gyermekek nem férnek hozzá.
- Ne fedje le a fűnyíró erős műanyag zsákkal. A műanyag burkolatok összegyűjtik a vizet a fűnyíró körül, amely rozsdásodást okoz.
- A fűnyíró függőlegesen vagy fektetve tárolja (Y ábra).

⚠ FIGYELMEZTETÉS: Ha a fűnyíró elkezd dőlni függőleges helyzetből, akkor a fűnyíró megrongálódhat, vagy személyi sérülést okozhat. Mindig tartsa stabilan a fűnyíró, és gyermekektől elzárva, ha függőleges helyzetben van. Ha lehetséges, laposan tárolja.

A környezet védelme



Ne dobja az elektromos felszerelést, az akkumulátor töltőt és az akkumulátorokat/újratölthető akkumulátorokat a háztartási hulladékok közé!

Az elektromos és elektronikus berendezések hulladékairól szóló 2012/19/EU európai törvény, amely már nincs érvényben, és az 2006/66/EK európai törvény értelmében a sérült vagy elhasznált akkumulátoregységeket/akkumulátorokat külön kell gyűjteni.

Ha az elektromos berendezéseket talajfeltöltési vagy árokbetömési célokra használják, olyan veszélyes anyagok kerülhetnek belőlük a talajvízbe, majd onnan a táplálkozási láncba, amelyek veszélyeztetik az egészséget.

EK MEGFELELŐSÉGI NYILATKOZAT

Mi, a EGO EUROPE GMBH

Wahlwiesenstrasse 1, D-71711 Steinheim an der Murr
Deutschland

Kijelentjük, hogy az **LM2120E/LM2120E-SP 56 V-os vezeték nélküli LÍTIUM-ION** fűnyíró megfelel a következő irányelvekben előírt egészségügyi és biztonsági követelményeknek:

2006/42/EK, 2014/30/EU, 2011/65/EU, 2000/14/EK

A standardokat és műszaki adatokat itt nézheti meg:

EN 60335-1, EN 60335-2-77, EN 62233, EN 55014-1,
EN 55014-2

	LM2120E	LM2120E-SP
Mért hangteljesítményszint:	89,9 dB(A)	89,5 dB(A)
Garantált hangteljesítményszint:	92 dB(A)	92 dB(A)

A VI melléklet szerinti megfelelőségértékelési eljárás a 2000/14/EK szerint betartva.

Bejelentő szervezet: Sociétés Nationale de Certification et d'Homologation

Bejelentő szervezet száma: 0499

KEES VAN DER SPEK
TUINMACHINES * STOLWIJK

Peter Melrose
Az EGO Europe GmbH
ügyvezető igazgatója

Dong Jianxun
Chervon minőségbiztosítási vezetője

* (A CHERVON felhatalmazott képviselője és a műszaki dokumentáció felelőse)

01/09/2016

HU

HIBAELHÁRÍTÁS

▲ FIGYELMEZTETÉS: Mindig vegye ki a biztonsági kulcsot és az akkumulátoregységet a fűnyíró szervizelése vagy szállítása közben. Mindig védje a kezét nagy teherbírású kesztyűvel vagy úgy, hogy a vágóéleket betekerri rongyokba vagy más anyagokba, amikor karbantartást végez a fűnyíró pengéjén.

PROBLÉMA	A PROBLÉMA OKA	MEGOLDÁS
A fűnyíró nem indul	<ul style="list-style-type: none"> ■ Az akkumulátoregység lemerült. ■ Az akkumulátoregység nincs a helyére téve az akkumulátortartóban. ■ Az akkumulátoregység vagy a fűnyíró túl forró. (A fűnyíró teljesítményjelzője narancssárga színben világít 10 másodpercig.) ■ Az oldalsó állvány nincs teljesen kihajtva, és a kapsok nincsenek a helyükre rögzítve. ■ A fogantyú nincs beállítva a két működési pozíció egyikébe. ■ A fűnyíró eltömődött fűvel vagy hulladékkal. 	<ul style="list-style-type: none"> ■ Töltse fel az akkumulátoregységet. ■ Csatlakoztassa az akkumulátoregységet a fűnyíróhoz. Nyomja le az akkumulátoregységet, amíg kattantást nem hall. ■ Hagyja kihűlni az akkumulátoregységet vagy a fűnyírót 67 °C alatti hőmérsékletre. ■ Teljesen hajtja ki a fogantyút, és rögzítse a két kapsot. ■ Állítsa a fogantyút a két működési pozíció egyikébe. ■ Tisztítsa meg a fűnyíró burkolatát, és ellenőrizze, hogy a penge szabadon tud mozogni.
A fűnyíró egyetlenül vág.	<ul style="list-style-type: none"> ■ A penge tompa. ■ A vágásmagasság nincs megfelelően beállítva. ■ A penge helytelenül van összeszerelve. 	<ul style="list-style-type: none"> ■ Élezze meg, vagy cserélje ki a pengét. ■ Emelje magasabb vágásmagasságba. ■ A penge visszاسzereléséhez nézze meg a „A PENGE KENÉSE” fejezetet a jelen használati útmutatóban.
A fűnyíró működés közben leáll.	<ul style="list-style-type: none"> ■ Az akkumulátoregység lemerült. ■ A fűnyíró túlterhelt. ■ A fűnyíró eltömődött fűvel vagy hulladékkal. ■ Az akkumulátoregység vagy a fűnyíró túl forró. (A fűnyíró teljesítményjelzője narancssárga színben világít 10 másodpercig.) ■ Az oldalsó állvány kissé be van húzva a fogantyúra kifejtett tolóerő miatt. 	<ul style="list-style-type: none"> ■ Töltse fel az akkumulátoregységet. ■ Emelje a vágásmagasságot, vagy lassítsa a fűnyírást. ■ Tisztítsa meg a fűnyíró burkolatot. Emelje a vágásmagasságot, vagy keskeny sávot nyírjon. ■ Hagyja kihűlni az akkumulátoregységet vagy a fűnyírót 67 °C alatti hőmérsékletre. ■ Oldja ki a kapsokat. Teljesen nyissa ki az oldalsó állványt, és rögzítse vissza a kapsokat.

PROBLÉMA	A PROBLÉMA OKA	MEGOLDÁS
A fűnyíró nem megfelelően nyír.	<ul style="list-style-type: none"> ■ Nedves lenyírt fű ragadt a burkolat aljára. ■ A fűnyíró úgy van beállítva, hogy egyszerre túl sok fűvet nyírjon. 	<ul style="list-style-type: none"> ■ Fűnyírás előtt várjon, amíg a fű megszárad. ■ Emelje magasabb vágásmagasságba.
Túlzott vibráció	<ul style="list-style-type: none"> ■ A penge laza. ■ A penge kiegyensúlyozatlan. ■ A penge hajlott. ■ A motor tengely hajlott. 	<ul style="list-style-type: none"> ■ Húzza meg a penge csavarját. ■ Egyensúlyozza ki a pengét az utasításoknak megfelelően. ■ Cserélje ki a pengét. ■ Lépjen kapcsolatba a szervizközponttal.
A fogantyú rögzítő kapcsokat nem lehet pozícióba rögzíteni.	<ul style="list-style-type: none"> ■ Az oldalsó állvány nincs teljesen kinyitva. 	<ul style="list-style-type: none"> ■ Teljesen nyissa ki az oldalsó állványt, és zárja le a kapcsokat.

GARANCIA

EGO GARANCIÁLIS FELTÉTELEK

Kérjük, látogasson el az egopowerplus.com oldalra, ahol megtalálja a részletes EGO garanciális feltételeket.

KEEG VAN DER SPEK
TUINMACHINES ★ STOLWIJK

CITIȚI TOATE INSTRUCȚIUNILE!



CITIȚI MANUALUL DE INSTRUCȚIUNI

⚠ Riscuri reziduale! Persoanele cu dispozitive electronice precum stimulatoare cardiace ar trebui să-și consulte medicul (medicii) înainte de a utiliza acest produs. Utilizarea unui echipament electric în imediata apropiere a unui stimulator cardiac poate cauza interferențe sau până la stimulatorul.

⚠ AVERTISMENT: Pentru siguranța și fiabilitatea produsului, toate reparațiile ar trebui efectuate de către un tehnician de service autorizat.

Scopul destinat și utilizări greșite previzibile: Produsul este destinat numai pentru tunderea ierburilor din grădini domestice. Acesta nu trebuie utilizat pentru tunderea ierburilor neobișnuit de înaltă, uscată sau udă, de ex. pășuni; sau pentru tocarea frunzelor. Produsul trebuie utilizat numai în scopul pentru care a fost proiectat. Orice altă utilizare este considerată a fi caz de utilizare necorespunzătoare.

SIMBOLURI PRIVIND SIGURANȚA

Scopul simbolurilor privind siguranța este să vă atragă atenția asupra pericolelor posibile. Simbolurile privind siguranța și explicațiile furnizate cu acestea merită atenția și înțelegerea dumneavoastră. Simbolurile de avertizare, ele singure, nu elimină niciun pericol. Instrucțiunile și avertismentele pe care le oferă nu pot înlocui măsurile corecte de prevenire a accidentelor.

⚠ AVERTISMENT: Asigurați-vă că ați citit și înțelegiți toate instrucțiunile privind siguranța din acest Manual de utilizare, inclusiv toate simbolurile de alertă privind siguranța precum "PERICOL," "AVERTISMENT," și "ATENȚIE" înainte de a utiliza această sculă.

Nerespectarea tuturor avertismentelor și instrucțiunilor poate duce la electrocutare, incendiu și/sau răni grave.

SEMNIȚAȚIA SIMBOLURILOR

SIMBOL DE AVERTIZARE PRIVIND SIGURANȚA:

Indică **PERICOL**, **AVERTISMENT**, sau **ATENȚIE**. Poate fi utilizat împreună cu alte avertismente sau pictograme.

⚠ AVERTISMENT: Operarea oricărui scule electrice poate rezulta în proiectarea înspire ochii dumneavoastră a unor obiecte străine, ceea ce poate duce la vătămări grave ale ochilor. Înainte de a începe să utilizați scula electrică, întotdeauna purtați ochelari de protecție cu apărători laterale și vizieră facială completă când este nevoie. Vă recomandăm să purtați o Vizieră lată de protecție peste ochelarii de vedere sau ochelari de protecție standard cu apărători laterale.

INSTRUCȚIUNI PRIVIND SIGURANȚA

Această pagină descrie simbolurile de siguranță ce pot apărea pe acest produs. Citiți, înțelegeți, și respectați toate instrucțiunile de pe mașină înainte de asamblare și operare.

	Alertă privind siguranța	Precauții care implică siguranța dumneavoastră.
	Purtați echipament de protecție oculară	Purtați întotdeauna ochelari de protecție sau ochelari de protecție cu apărători laterale și o vizieră facială completă când utilizați acest produs.
	Citiți manualul de instrucțiuni	Pentru a reduce riscul de rănire, utilizatorul trebuie să citească și să înțeleagă manualul de instrucțiuni înainte de a utiliza acest produs.
	Atenție la lamele ascuțite.	Lamele continuă să se rotească după oprirea motorului - Îndepărtați dispozitivul de dezactivare înainte de a efectua operațiuni de întreținere. Opriiți și îndepărtați setul de acumulatori (dispozitivul de dezactivare) înainte de a regla sau curăța.
	Țineți trecători la distanță	Asigurați-vă că terții și animalele de companie se află o distanță de cel puțin 30m de produs când acesta este în funcțiune.
	Produs cu structură de clasă II	Structură cu izolație dublă.
IPX4	Simbol IP	Protecție împotriva pătrunderii apei de grad 4
V	Volt	Voltaj
A	Amperi	Rezistență
Hz	Hertz	Frecvență (cicliuri pe secundă)
W	Watt	Putere

min	Minute	Durată
	Curent alternativ	Tip de curent
	Curent continuu	Tip sau o caracteristică a curentului
n_0	Turație de mers în gol	Turație de mers în gol
... /min	Pe minut	Revoluții pe minut

SFATURI PRIVIND MAȘINA DE TUNS IARBA CU ACUMULATOR

⚠ PERICOL: Această mașină a fost concepută pentru a fi exploatată în conformitate cu regulile privind utilizarea în siguranță incluse în acest manual. Ca în cazul oricărui echipament electric, neglijența sau greșelile din partea utilizatorului pot provoca răni grave. Această mașină este capabilă să rănească mâini și picioare și să proiecteze obiectelor. Nerespectarea tuturor instrucțiunilor de siguranță poate duce la rănire gravă sau deces.

⚠ AVERTISMENT: În timpul utilizării mașinilor de tuns iarba cu acumulator, respectați măsuri bazice de siguranță pentru a reduce riscul de incendiu, de electrocutare și de răni.

IMPORTANT

CITIȚI CU ATENȚIE ÎNAINTE DE UTILIZARE. A SE PĂSTRA PENTRU CONSULTĂRI VIITOARE.

REGULI DE SIGURANȚĂ PRIVIND MAȘINILE DE TUNS IARBA CU ACUMULATOR:

ATENȚIE - NU ATINGEȚI LAMA ROTATIVĂ!

INSTRUIREA

- Citiți cu atenție instrucțiunile. Familiarizați-vă cu comenzile și cu utilizarea corectă a aparatului.
- Nu permiteți niciodată copiilor sau persoanelor nefamiliarizate cu aceste instrucțiuni să utilizeze aparatul. Reglementările locale pot restricționa vârsta operatorului.
- Nu tundeți niciodată iarba în timp ce sunt oameni, mai ales copii, sau animale în apropiere.
- Operatorul sau utilizatorul este responsabil de accidente sau pericolele care se întâmplă altor persoane sau bunurilor acestora.

PREGĂTIREA

- În timp ce utilizați aparatul, purtați întotdeauna încălțăminte trainică și pantaloni lungi.

- Nu puneți mașina în funcțiune când nu purtați încălțăminte sau dacă purtați sandale deschise. Evitați purtarea articolelor largi de îmbrăcăminte sau care prezintă șnururi sau fire ce atamnă.
- Inspectați cu atenție zona în care urmează a fi utilizată mașina pentru a îndepărta toate pietrele, bețele, oasele și alte obiecte străine.
- Înainte de utilizare, verificați întotdeauna vizual lama, șuruburile lamei și ansamblul lamei să nu fie uzate sau deteriorate. Înlocuiți lamele uzate sau deteriorate și șuruburile în seturi, pentru a păstra echilibrul. Înlocuiți etichetele distruse sau ilizibile.

FUNCȚIONAREA

- Utilizați mașina de tuns numai pe timp de zi sau în condiții de lumină artificială bună.
- Evitați utilizarea mașinii pe iarba udă, când acest lucru este posibil.
- Mențineți întotdeauna o poziție stabilă pe pante.
- Mergeți, nu fugiți niciodată.
- Pentru mașini rotative pe roți, tundeți iarba transversal pe pante, niciodată în sus și în jos;
- Fiți foarte atenți când schimbați direcția pe pante.
- Nu tundeți iarba pe pante excesiv de înclinate.
- Fiți foarte atent când schimbați sensul sau trageți mașina către dumneavoastră.
- Opriți lama (lamele) dacă mașina trebuie înclinată pentru transport când traversați alte suprafețe diferite de iarba și când transportați mașina către și de la zona care urmează să fie tunsă.
- Nu utilizați niciodată aparatul cu apărători defecte sau fără dispozitive de siguranță, de exemplu deflectoare și/ sau fără colectorul de resturi montat pe poziție.
- Porniți motorul, conform instrucțiunilor, cu picioarele la distanță de lamă (lame).
- Nu înclinați mașina când porniți motorul, cu excepția cazului în care mașina trebuie înclinată pentru pornire. În acest caz, nu înclinați mai mult decât este absolut necesar și ridicați numai partea care este la distanță de operator. Întotdeauna asigurați-vă că ambele mâni sunt în poziția de funcționare a mașinii înainte de a o repune pe sol.
- Nu porniți mașina când vă aflați în fața gurii de evacuare.
- Nu puneți niciodată mâinile sau picioarele în apropiere sau sub părțile rotative. Pentru mașinile de tuns iarba rotative, stați întotdeauna departe de orificiile de evacuare.
- Nu ridicați sau transportați mașina cât timp motorul este încă pornit.

- Oprii mașina și detașați setul de acumulatori (sau dispozitivul de dezactivare) și asigurați-vă că toate componentele sunt complet oprite înainte de a efectua reglaje sau de a curăța:
 - Ori de câte ori plecați de lângă mașină;
 - Înainte de îndepărtarea blocajelor sau de deblocarea canalului de evacuare a ierbii;
 - Înainte de verificarea, curățarea sau orice intervenție adusă aparatului;
 - După lovirea unui obiect străin. Inspectați mașina pentru depistarea avarierilor și efectuați reparații dacă este nevoie.
- Dacă mașina începe să vibreze anormal (verificați imediat):
 - Inspectați pentru depistarea deteriorărilor;
 - Înlocuiți sau reparați piesele deteriorate;
 - Verificați dacă există piese desfăcute care trebuie strânse;

ÎNȚREȚINEREA ȘI DEPOZITAREA

- Fiți atent în timpul reglării mașinii pentru a preveni prinderea degetelor între lamele în mișcare și părțile fixe ale mașinii.
- Mențineți strânse toate piulițele și șuruburile, pentru a fi siguri că aparatul este în stare bună de funcționare.
- Verificați frecvent colectorul de iarbă pentru depistarea semnelor de uzură sau deteriorare.
- Înlocuiți piesele uzate sau defecte în vederea asigurării securității.
- Este interzisă efectuarea curățării și întreținerii aparatului permisibile utilizatorului de către copii nesupravegheați.
- Când executați operațiuni de întreținere a lamelor, nu uitați că deși sursa de alimentare este oprită, lamele pot continua să se miște.
- Pentru mașinile de tuns rotative, asigurați-vă că sunt utilizate numai piese de schimb corecte ale elementelor de tăiere.

SIGURANȚA PERSONALĂ

Accidente tragice se pot întâmpla dacă operatorul nu este atent la prezența copiilor. De multe ori, copiii sunt atrași de mașina de tuns și de tunsul ierbii. Aceștia nu înțeleg pericolele. Nu presupuneți niciodată că aceștia vor rămâne în locul unde i-ați văzut ultima dată.

- Păstrați copiii în afara zonei de tuns și sub supravegherea atentă a unui adult responsabil altul decât operatorul mașinii de tuns.
- Fiți atent și oprii mașina dacă un copil intră în zona de lucru.

- Aveți foarte multă grijă când vă apropiați de unghiuri moarte, uși de intrare, arbuști, copaci sau alte obiecte care v-ar putea împiedica să vedeți un copil ce ar putea să se ciocnească de mașina de tuns.
- Copiii trebuie să fie supravegheați pentru a vă asigura că nu se joacă cu mașina de tuns.
- Întotdeauna oprii mașina de tuns când îndepărtați setul de acumulatori din sculă. Oprii lama (lamele) dacă mașina trebuie înclinată pentru transport când traversați alte suprafețe diferite de iarbă și când transportați mașina către și de la zona care urmează să fie tunsă.

UTILIZAREA

UTILIZAREA GENERALĂ:

- Citiți acest manual de utilizare cu atenție și în întregime înainte de a încerca să asamblați mașina. Citiți, înțelegeți, și respectați toate instrucțiunile de pe mașină și din manualele de utilizare înainte de operare. Familiarizați-vă cu controalele și utilizarea corectă a acestui aparat înainte de a-l utiliza. Păstrați acest manual într-un loc sigur pentru viitor și consultați periodic și pentru comandarea pieselor de schimb.
- Utilizați aparatul adecvat - Nu utilizați mașina de tuns gazonul în alt scop decât cel prevăzut.
- Nu vă întindeți excesiv - Păstrați-vă întotdeauna o poziție stabilă a picioarelor și echilibrul.
- Obiectele lovite de lama mașinii de tuns iarba pot cauza răni grave persoanelor. Peluza trebuie întotdeauna inspectată cu atenție și curățată de toate obiectele înainte de fiecare tuns.
- Înainte și în timp ce vă deplasați înapoi, priviți în spate și în jos pentru vizualizarea copiilor și a altor persoane.
- Această mașină nu este o jucărie. Din acest motiv, acordați atenție în permanență. Aparatul dumneavoastră a fost proiectat să execute o singură sarcină: să tundă iarba. A nu se utiliza în alt scop.
- Nu forțați mașina de tuns iarba - aceasta va efectua lucrarea mai bine și în siguranță mai mare, la viteza pentru care a fost proiectată.
- Înainte de utilizare, verificați întotdeauna vizual lama, șuruburile lamei și ansamblul lamei să nu fie uzate sau deteriorate. Înlocuiți lamele uzate sau avariate și bolțurile și oricare alte componente în același timp pentru păstrarea echilibrului. Înlocuiți etichetele distruse sau ilizibile.
- Fiți foarte atent când schimbați sensul sau trageți mașina către dumneavoastră.

- Inspectați cu atenție zona în care urmează a fi utilizat echipamentul. Îndepărtați toate pietrele, bețele, jucăriile și alte obiecte străine care v-ar putea împiedica sau care ar putea fi aspirate și ejectate de lamă. Obiectele ejectate ar putea cauza răni grave. Calculați-vă traseul de mașinii pentru a evita evacuarea materialului înspre străzi, trotuare, trecători, etc. De asemenea, evitați evacuarea materialului lângă pereți sau obstrucții, care pot cauza ricoșarea materialului evacuat înapoi înspre operator.
- Pentru a se evita contactul lamei sau rănirea cu obiecte ejectate, stați în zona de lucru, în spatele mânelor și țineți copiii, trecătorii, asistenții și animalele de companie la cel puțin 30m de mașina de tuns în timpul funcționării acesteia. Oprii mașina dacă cineva pătrunde în zona de lucru.
- Purtați întotdeauna ochelari de protecție sau protecții oculare în timpul utilizării și efectuării unui regaj sau reparații pentru a vă proteja ochii. Obiectele ejectate care pot ricoșa pot cauza răniri grave ale ochilor. Întotdeauna utilizați o mască de față sau o mască de praf dacă operația creează praf.
- Îmbrăcați-vă corespunzător - Nu purtați haine largi sau bijuterii. Acestea pot fi prinse în piesele aflate în mișcare. Utilizarea mănușilor și încălțărilor de cauciuc este recomandată când lucrați în aer liber. Purtați bocanci rezistenți, cu talpă groasă și pantaloni și cămăși strâmte. Sunt recomandate cămășile și pantalonii care acoperă brațele și picioarele și bocanci cu vârf de oțel. Nu utilizați niciodată acest aparat în picioarele goale, purtând sandale, încălțări alunecoase sau ușoare (de ex. din pânză).
- Nu puneți mâinile sau picioarele în apropierea sau sub puntea de tăiere. Contactul cu lama poate răni mâinile și picioarele.
- Un capac lipsă sau avariat al gurii de evacuare poate cauza contactul cu lama sau răni provocate de obiectele aruncate.
- Multe răni sunt rezultatul mașinii de tuns fiind împinse peste picior în timpul unei căderi provocate de alunecare sau de împiedicare. Nu vă apucați de mașina de tuns în cazul care cădeți; eliberați imediat mânerul.
- Nu trageți niciodată mașina de tuns înspre dumneavoastră în timp ce mergeți. Dacă trebuie să dați mașina în marșarier dinspre un perete sau obstacol, priviți mai întâi în jos și în spate pentru a evita împiedicare, după care urmați pașii următori:
 - Pășiți în spatele mașinii de tuns pentru a vă întinde brațele la maxim.
 - Asigurați-vă că vă puteți echilibra corect și aveți stabilitate.
 - Trageți ușor mașina de tuns înapoi, fără să depășiți jumătate din distanța dintre mașină și dumneavoastră.
 - Repetați acești pași cât de mult este nevoie.
- Nu operați mașina de tuns iarba dacă sunteți sub influența băuturilor alcoolice sau a drogurilor.
- Nu utilizați niciodată aparatul cu apărători defecte sau fără dispozitive de siguranță, de exemplu deflectoare și/ sau fără colectorul de resturi montat pe poziție.
- Fiți vigilenți - urmăriți ceea ce faceți. Apelați la bunul simț. Nu utilizați mașina de tuns când sunteți obosiți.
- Mânerul de control al motorului/lamei este un dispozitiv de siguranță. Nu încercați niciodată să-l șunțați. Făcând acest lucru, dispozitivul de siguranță devine nefuncțional și poate cauza răniri personale prin contactul cu lama rotativă. Mânerul de control al motorului/lamei trebuie să poată fi utilizat cu ușurință în ambele direcții și să revină automat la poziția dezactivată când este eliberat.
- Evitați mediile periculoase - Nu utilizați mașina de tuns iarba în locuri cu umezeală sau ude.
- Nu utilizați mașina în ploaie.
- Mențineți întotdeauna o poziție stabilă. O alunecare și cădere pot cauza răni grave. Dacă simțiți că vă pierdeți stabilitatea, eliberați imediat mânerul de control a motorului/lamei și lama se va opri din rotii în 3 secunde.
- Oprii lama când traversați drumurile cu pietriș, alei sau străzi.
- Dacă echipamentul începe să producă vibrații anormale, oprii motorul și identificați imediat cauza. Vibrațiile sunt în general semnul unor probleme.
 - Inspectați pentru depistarea deteriorărilor;
 - Înlocuiți sau reparați piesele deteriorate care pot fi depanate de către utilizator;
 - Verificați și fixați părțile care nu sunt slăbite.
- Nu puneți niciodată mașina de tuns în funcție dacă nu este echipată cu scutul tractat corect, capacul gurii de evacuare, sacul colector de iarbă, priza de tocere, evacuarea laterală, mânerul de control al motorului/lamei sau alte dispozitive de siguranță instalate și funcționale. Nu utilizați niciodată mașina de tuns cu dispozitivele de siguranță avariate. Nerespectarea acestei instrucțiuni se poate solda cu vătămări grave.
- În cazul situațiilor care nu sunt adresate în acest manual, utilizați grijă și raționament. Contactați Serviciul clienți EGO pentru ajutor.
- Utilizați numai seturi de acumulatori și încărcătorii de mai jos:

SET DE ACUMULATORI	ÎNCĂRCĂTOR
BA1120E, BA2240E, BA2800, BA3360, BA4200	CH5500E, CH2100E

- Setul de acumulatori trebuie scos din aparat înainte de eliminarea acestuia.
- Acumulatorul trebuie eliminat într-un mod nepericulos.

UTILIZAREA PE O PANTĂ:

Pantele sunt un factor major în accidentele datorate alunecărilor și căderilor, care pot rezulta în răni grave. Mențineți întotdeauna o poziție stabilă pe pante. Funcționarea pe pante necesită grijă suplimentară. Dacă nu vă simțiți în siguranță pe o pantă, nu o tundeți.

Asa da:

- Tundeți iarba transversal pe pante; niciodată în sus și în jos. Fiți foarte atenți când schimbați direcția pe pante.
- Atenție la găuri, brazde, pietre, obiecte ascunse sau denivelări care v-ar putea face să cădeți sau să vă împiedicați. Iarba înaltă poate ascunde obstacole.

Așa nu:

- Nu tundeți în apropierea povârnișurilor, șanțurilor sau a pontoanelor; riscați să vă pierdeți stabilitatea sau echilibrul.
- Nu tundeți pante mai abrupte de 15 grade.
- Nu tundeți iarba udă. Poziția instabilă a picioarelor vă poate face să alunecați.

OPERAȚIILE DE SERVICE

⚠️ AVERTISMENT: Componentele colectorului de iarbă, capacul gurii de evacuare, evacuarea laterală, priza de tocare și scutul tractat sunt supuse uzurii, ceea ce poate duce la expunerea părților mobile sau pot permite obiecte să fie proiectate, sporind riscul de rănire. Din motive de protecție, verificați periodic toate componentele și înlocuiți componentele avariate imediat cu piese de schimb identice, trecute în acest manual. Contactați Serviciul de clienți EGO sau cel mai apropiat centru de service EGO, și reparațiile sau înlocuirile trebuie executate de către un tehnician de reparații autorizat!

- Dacă întrerupătorul de protecție încorporat al mașinii de tuns este acționat, contactați Serviciul de clienți EGO sau cel mai apropiat centru de service EGO.
- Nu spălați mașina de tuns cu furtunul de grădină; evitați pătrunderea apei în motor și în conexiunile electrice.
- Scoateți cheia și depozitați mașina de tuns iarba în interior când nu este utilizată. Lăsați motorul să se răcească înainte de a o depozita într-o încăpere. Mașina de tuns iarba trebuie depozitată într-un loc uscat, la înălțime sau spațiu închis cu cheia, inaccesibil copiilor.
- Când efectuați operații de service, utilizați numai piese de schimb identice listate în acest manual. Utilizarea pieselor care nu întrucesc specificațiile echipamentului original pot duce la funcționarea inadecvată și la compromiterea siguranței.
- Îndepărtați sau deconectați setul de acumulatori înainte de a efectua operațiuni de service de a curăți sau de a îndepărta materiale din mașina de tuns iarba.

- Respectați instrucțiunile legate de schimbarea accesoriilor.
- Mențineți mânerule uscate, curate și fără ulei și vaselină.
- Pentru a reduce riscul de incendiu, păstrați capacul motorului curat, fără acumulări de iarbă, frunze și resturi.
- La intervale frecvente, verificați dacă lama și bolțurile de montare a motorului sunt strânse corect. De asemenea, inspectați vizual lama pentru depistarea avariilor (de ex. lamă îndoită, crăpată și uzată). Înlocuiți lama numai cu o lamă de schimb identică, specificată în manual.
- Întrețineți cu grijă mașina de tuns - păstrați lama mașinii de tuns ascuțită și curată pentru cele mai bune rezultate în siguranță. Lamele mașinilor de tuns sunt ascuțite și pot tăia. Înfașurați lama sau purtați mănuși și utilizați grijă suplimentară când o depanați.
- Nu îndepărtați și nu alterați niciodată dispozitivele de siguranță. Verificați periodic dacă acestea funcționează corect. Nu încercați niciodată să interveniți asupra funcției destinate a unui dispozitiv de siguranță sau să reduceți protecția furnizată de dispozitivul de siguranță.
- Întotdeauna opriți motorul înainte de a ajusta o roată sau de a regla înălțimea de tăiere.
- După lovirea unui obiect străin, opriți motorul, scoateți cheia; și inspectați bine mașina de tuns pentru depistarea avariilor. Reparați avaria înainte de a utiliza mașina de tuns.
- Reparați sau înlocuiți etichetele de siguranță și de instrucțiuni după cum este necesar. Contactați Serviciul de clienți EGO sau cel mai apropiat centru de service EGO, și reparațiile sau înlocuirile trebuie executate de către un tehnician de reparații autorizat!
- **PĂSTRAȚI ACESTE INSTRUCȚIUNI.** Consultați-le frecvent și utilizați-le pentru a instrui alte persoane care ar putea utiliza această sculă electrică. Dacă împrumutați cuiva această sculă, împrumutați-i și aceste instrucțiuni pentru a preveni utilizarea inadecvată a produsului și posibile răni.

UTILIZAREA ȘI ÎNGRIJIREA ACUMULATORULUI

- Pentru a conserva resursele naturale, vă rugăm să reciclați sau să eliminați acumulatorii în mod corespunzător. Acest produs conține acumulatori de litiu-ion. Legile locale sau naționale interzic eliminarea acumulatorilor de litiu-ion împreună cu deșeurile menajere. Consultați autoritatea locală în domeniul deșeurilor pentru informații suplimentare privind opțiunile disponibile de reciclare și/sau de eliminare.

- După îndepărtarea setului de acumulatori în vederea eliminării sau reciclării, acoperiți bornele setului de acumulatori cu bandă adezivă super rezistentă. Nu încercați să distrugeți sau să demontați setul de acumulatori sau să-i îndepărtați vre componentă. Acumulatorii Litiu-ion trebuie reciclați sau eliminați într-un mod corect. De asemenea, nu atingeți niciodată bornele și/sau părți ale corpului cu obiecte metalice deoarece se poate produce un scurtcircuit. A nu se lăsa la îndemâna copiilor. Nerespectarea acestor instrucțiuni poate duce la incendiu și/sau vătămare corporală gravă.
- **ÎN CONDIȚII ABUZIVE SE POATE SCURGE LICHID DIN ACUMULATOR; EVITAȚI CONTACTUL. DACĂ ARE LOC CONTACTUL ACCIDENTAL, CLĂTIȚI CU APĂ. DACĂ LICHIDUL INTRĂ ÎN CONTACT CU OCHII, EFECTUAȚI SUPLEMENTAR UN CONSULT MEDICAL.** Lichidul scurs din acumulator poate produce iritări sau arsuri.

- Valoarea totală declarată a vibrațiilor a fost măsurată în conformitate cu o metodă standard de testare și poate fi utilizată pentru compararea sculelor între ele;
- Valoarea totală declarată poate fi utilizată în evaluarea preliminară a expunerii.

OBSERVAȚIE: Vibrațiile emise în timpul utilizării efective a sculei electrice pot diferi față de valoarea celor declarate pentru scula utilizată; Pentru protejarea operatorului, utilizatorul trebuie să poarte mănuși și protecții auditive în timpul utilizării efective a produsului.

CONȚINUTUL AMBALAJULUI

DENUMIRE PIESĂ	CANTITATE
Mașină de tuns iarbă	1
Sac colector de iarbă	1
Cadru colector de iarbă	1
Priză de tocarea resturi vegetale	1
Cheie de siguranță	2
Manual de instrucțiuni	1

SPECIFICAȚII

Număr model	LM2120E	LM2120E-SP	
Sistem cu auto propulsie	Ne	Taip	
Voltaj	56 V	56 V	
Turație de mers în gol	2800 /min	2800 /min	
Înălțime de tăiere	28-94 mm	28-94 mm	
Poziții înălțime de tăiere	6	6	
Dimensiuni carcasă	53 cm	53 cm	
Lățime de tăiere	52 cm	52 cm	
Volum colector de iarbă	70 L	70 L	
Greutate mașină de tuns (fără set de acumulatori)	22,10 kg	24,55 kg	
Model lamă	AB2101	AB2101	
Nivel de putere sonoră măsurat L_{WA} $K=2$ dB(A)	89,9 dB(A)	89,5 dB(A)	
Nivel de presiune sonoră la urechea operatorului L_{PA} $K=3$ dB(A)	87 dB(A)	87 dB(A)	
Nivel de putere sonoră garantat LWA(măsurat în conformitate cu 2000/14/CE)	92 dB(A)	92 dB(A)	
Vibrații a_{hh} $K=1,5$ m/s ²	Mâner stânga	$\leq 2,5$ m/s ²	$\leq 2,5$ m/s ²
	Mâner dreapta	$\leq 2,5$ m/s ²	$\leq 2,5$ m/s ²
Frână lamă	DA	DA	

DESCRIERE

DESCRIEREA TRIMMERULUI (Fig. A & B & C)

1. Buton de siguranță
2. Trăgaci de auto propulsie
3. Clemă de blocare mâner
4. Ușă de evacuare posterioară
5. Mâner posterior
6. Capac set de acumulatori
7. Faruri LED
8. Mâner frontal
9. Roată frontală
10. Manetă de reglare a înălțimii de tăiere
11. Carcasă mașină de tuns iarbă
12. Roată posterioară
13. Sac colector de iarbă
14. Manetă de reglare rapidă
15. Șină laterală
16. Manetă de viteză pentru auto propulsie
17. Întrerupător mâner (Manetă întrerupătoare)
18. Mâner
19. Priză de tocarea resturi vegetale
20. Suport pentru depozitare verticală
21. Scut tractat
22. Buton întrerupător pentru faruri cu LED
23. Indicator de alimentare

UTILIZAREA

ASAMBLAREA COLECTORULUI DE IARBĂ

- 1) Glisați colectorul de iarbă pe cadru (Fig. D).
- 2) Asamblați clemele superioare de cadru (Fig. E), după care asamblați cele două cleme laterale. La sfârșit, prindeți cleva inferioară.
- 3) Colectorul de iarbă asamblat în întregime este ilustrat în Fig. F.

OBSERVAȚIE: În condiții normale de utilizare, materialul colectorului este supus la uzură. Pentru a reduce riscul de accidentare, verificați frecvent ansamblul sacului colector și înlocuiți dacă prezintă semne de uzură sau de deteriorare. Utilizați numai colectoare de iarbă fabricate pentru această mașină de tuns iarbă.

REGLAREA MÂNERULUI PLIANT

⚠️ AVERTISMENT: Nu încercați să porniți mașina de tuns dacă mânerul nu este blocat într-una dintre pozițiile de funcționare presetate (POZIȚIA SUPERIOARĂ DE FUNCȚIONARE sau POZIȚIA INFERIOARĂ DE FUNCȚIONARE).

Mașina dumneavoastră de tuns este livrată cu mânerul compact, BLOCAT ÎN POZIȚIA DE DEPOZITARE (Fig. G).

- 1) Apăsati și mențineți apăsat maneta de reglare rapidă pentru eliberarea mânerului din POZIȚIA DE DEPOZITARE BLOCATĂ (Fig. H-1).
- 2) Ridicați mânerul din poziția sa pliantă, după care eliberați maneta. Pivotați cu delicatețe mânerul în sus, până auziți și simțiți știftul de blocare anclansat într-una dintre diferitele poziții precum în indicațiile din Fig. H.

- POZIȚIE DE ATAȘARE/DETAȘARE A SACULUI COLECTOR DE IARBĂ (Fig. H-2).
- POZIȚIE DE FUNCȚIONARE SUPERIOARĂ (Fig. H-3).
- POZIȚIE DE FUNCȚIONARE MIJLOCIE (Fig. H-4).
- POZIȚIE DE FUNCȚIONARE INFERIOARĂ (Fig. H-5).

ATAȘAREA/DETAȘAREA SACULUI COLECTOR DE IARBĂ/PRIZEI DE TOCARE RESTURI VEGETALE

⚠️ AVERTISMENT: Nu efectuați în niciun moment vreun reglaj asupra mașinii de tuns iarbă fără să oprți mai întâi motorul, să scoateți cheia de siguranță și să așteptați ca lama să se oprească din rotire.

OBSERVAȚIE: Atașați la mașină unul dintre accesorii înainte de a tunde.

Atașarea/Detașarea sacului colector de iarbă (Fig. I)

OBSERVAȚIE: Îndepărtați priza de tocere preinstalată înainte de a prinde colectorul de iarbă de mașina de tuns.

- **Atașarea/Detașarea prizei de tocere resturi vegetale (Fig. J)**

AJUSTAREA ÎNĂLȚIMII DE TĂIERE (Fig. K)

⚠️ AVERTISMENT: Păstrați-vă picioarele la distanță de carcasă când reglați înălțimea mașinii. Mașina poate fi setată pe 6 înălțimi de tăiere, între 28mm și 94mm. Alegeți înălțimea de tăiere corectă, în conformitate cu tipurile și condiția ierbii.

OBSERVAȚIE: Când deplasați mașina, asigurați-vă că înălțimea de tăiere este reglată pe poziția 3 sau mai sus. Nerespectarea acestei indicații poate cauza avariarea lamei.

ATAȘAREA/DETAȘAREA SETULUI DE ACUMULATORI (FIG. L)

Încărcați acumulatorul înainte de prima utilizare.

⚠️ AVERTISMENT: În cazul părților lipsă sau defecte, nu încercați să instalați setul de acumulatori pe mașina de tuns sau să puneți mașina în funcțiune dacă părțile lipsă sau avariate nu sunt înlocuite. Nerespectarea acestei indicații poate duce la accidentări grave.

- **Pentru instalare**
Împingeți setul de acumulatori în compartimentul de acumulatori până la auzul unui clic.
- **Pentru detașare**
Apăsati butonul de detașare a setului de acumulatori din compartimentul acestuia.

Fig. L pentru descrierea pieselor consultați tabelul de mai jos:

L-1	Fantă cheie de siguranță
L-2	Fantă cheie de siguranță
L-3	Buton de detașare acumulator

OBSERVAȚIE: Înainte de a începe utilizarea, asigurați-vă că opritorul de pe acumulator intră în locaș cu un zgomot sec, iar acumulatorul este fixat în mașina de tuns.

PORNIREA/OPRIREA MAȘINII DE TUNS IARBĂ

⚠️ AVERTISMENT: Operarea oricăror scule electrice poate rezulta în proiectarea înspre ochii dumneavoastră sau a altor persoane a unor obiecte străine, ceea ce poate duce la vătămări grave ale ochilor. Purtați întotdeauna ochelari de protecție în timpul operării sau la efectuarea unei ajustări sau reparații.

⚠️ AVERTISMENT: Nu utilizați mașina de tuns în ploaie.

⚠️ AVERTISMENT: Asigurați-vă că terții și animalele de companie se află o distanță de cel puțin 30m de produs când acesta este în funcțiune.

⚠️ AVERTISMENT: Lama continuă să se rotească câteva secunde după oprirea mașinii de tuns. Lăsați motorul/lama să se oprească din rotit înainte de a reîncepe. Nu porniți și opriți rapid mașina de tuns.

NOTĂ: Motorul nu poate fi pornit decât dacă:

- Mânerul este blocat într-una din cele trei poziții de funcționare, consultați AJUSTAREA MÂNERULUI PLIANT.
- Șinele laterale sunt extinse complet (Fig. M).
- Ambele cleme verzi de blocare a mânerului sunt bine închise (Fig. N).

⚠️ ATENȚIE: Nu încercați să anulați funcționarea butonului de siguranță și a manetei întrerupătoare.

Pornirea (Fig. P)

- 1) Prindeți setul de acumulatori de mașina de tuns, introduceți cheia de siguranță în fanta acesteia și închideți capacul acumulatorului (Fig. L).
- 2) Conform Fig. O, apăsați în jos butonul de siguranță.
- 3) Cu butonul de siguranță apăsat, trageți maneta întrerupătoare în sus, spre mâner și eliberați butonul de siguranță.

Oprirea (Fig. Q)

- 1) Eliberați complet maneta întrerupătoare.
- 2) Frâna electrică a Mecanismului automat de frânare va opri rotirea lamei în 3 secunde de la eliberarea manetei întrerupătoare.

SISTEMUL CU AUTO PROPULSIE ȘI VITEZĂ VARIABILĂ

Mașina de tuns LM2120E-SP este echipată cu auto-propulsie și viteză variabilă. Sistemul este independent de întrerupătorul on/off (pornit/oprit) al lamei; nu depinde de rotirea lamei.

Pentru a opera sistemul fără rotirea lamei, trageți trăgaciul de auto propulsie spre mâner.

Pentru a opri auto propulsia, eliberați trăgaciul de auto propulsie.

Sistemul are viteză variabilă. Pentru a mări viteza, deplasați maneta controlului vitezei de auto propulsie spre înainte. Pentru a micșora viteza, deplasați maneta controlului vitezei de auto propulsie spre înapoi (Fig. R).

Pentru a opera cu lama rotindu-se pentru tăiere:

1. Porniți mașina de tuns.
2. Strângând maneta întrerupătoare de mâner cu mâna stângă, trageți trăgaciul de auto propulsie înspre mâner cu mâna dreaptă.
3. Strângeți simultan maneta întrerupătoare și trăgaciul de auto-propulsie de mâner cu mâna dreaptă și utilizați-vă mâna stângă pentru a regla maneta de control al vitezei în modul de auto-propulsie pentru a alege viteza dorită.

observație: În timpul tăierii, poate fi mai ușor să tundeți în jurul unui obiect precum un copac sau plante, cu funcția de auto propulsie dezactivată.

⚠️ AVERTISMENT: Pentru a reduce riscul de rănire, nu încercați să anulați funcționarea întrerupătorului sau a sistemului de auto-propulsie. Utilizați funcția de auto-propulsie numai în scopul desemnat.

FARURILE CU LED (Fig. A-7)

Apăsați butonul întrerupător (Fig. C-22) pentru a porni/opri farurile cu LED situate în fața compartimentului acumulatorului.

INDICATORUL DE ALIMENTARE DE PE MAȘINA DE TUNS IARBA (Fig. S)

Mașina de tuns iarba este echipată cu un indicator de alimentare pentru a indica nivelul de încărcare al setului de acumulatori și starea de lucru a mașinii de tuns. Indicatorul de alimentare se va aprinde când lama se rotește sau când farurile cu LED sunt aprinse.

Indicator de alimentare pe mașina de tuns	Semnificație	Acțiune
Se aprinde verde	Mașina de tuns funcționează corect; acumulatorul are un nivel de încărcare de minim 15%	Nu este cazul
Se aprinde roșu	Baterie descărcată	Opriți mașina de tuns iarba și încărcați setul de acumulatori.

Roșu intermitent	Bateria este aproape descărcată	Opriiți mașina de tuns iarba și încărcăți setul de acumulatori.
Se aprinde portocaliu	Mașina de tuns sau setul de acumulatori sunt supraîncălzite	Scoateți setul de acumulatori din mașină, deplasați-l la umbră și lăsați să se răcească minim 15 minute.
Portocaliu intermitent	Mașina de tuns este supraîncărcată	Încetiniți ritmul sau ridicați înălțimea de tăiere pentru a micșora sarcina.

PROTECȚIE LA SUPRASARCINĂ A MAȘINII DE TUNS IARBA

Pentru prevenirea suprasolicitării, nu încercați să tundeți prea multă iarbă odată. Încetiniți ritmul de tăiere sau măriți înălțimea de tăiere.

Mașina dumneavoastră de tuns iarba este echipată cu un circuit de protecție la suprasarcină. Când mașina este suprasolicitată, motorul se va opri și indicatorul de alimentare de pe mașină va clipi portocaliu. Detașați setul de acumulatori de pe mașina de tuns iarba. Verificați dacă sub caroserie s-a acumulat iarbă și îndepărtați-o dacă este nevoie, după care instalați acumulatorul și restarțați mașina de tuns.

PROTECȚIA ÎMPOTRIVA SUPRAÎNCĂLZIRII ACUMULATORULUI

Setul de acumulatori va genera căldură în timpul operării. Căldura se împrăștie mai încet pe timp de vreme caldă. Dacă temperatura acumulatorului depășește 70°C în timpul utilizării, circuitul de protecție va opri automat mașina de tuns pentru a împiedica avariarea setului de acumulatori. Indicatorul de alimentare de pe mașină ca clipi portocaliu și LED-ul de pe acumulator va clipi portocaliu. Eliberați mânerul întrerupător, așteptați până când setul de acumulatori se răcește până la aproximativ 67°C, după care reporniți mașina de tuns iarba.

ÎNȚREȚINEREA

⚠️ AVERTISMENT: Pentru a evita rănilor grave, întotdeauna scoateți cheia de siguranță din mașină înainte de a o curăța, efectua orice operațiune de întreținere sau de a transporta mașina.

⚠️ AVERTISMENT: Când efectuați operații de service, utilizați doar piese de schimb identice. Utilizarea oricăror altor piese poate crea un pericol sau poate produce o deteriorare. Pentru siguranța și fiabilitatea produsului, toate reparațiile și înlocuirile de piese ar trebui efectuate de către un tehnician de service autorizat.

CURĂȚAREA MAȘINII DE TUNS IARBA

Dedesubtul carcasei mașinii de tuns iarba trebuie curățat după fiecare utilizare, pentru a preveni acumularea de iarbă tăiată, frunze, murdărie sau alte resturi.

Îndepărtați orice depuneri de iarbă și frunze de pe sau din jurul capacului motorului (nu utilizați apă). Ștergeți mașina de tuns cu o cârpă curată.

ÎNDEPĂRTAREA/INSTALAREA LAMEI

⚠️ AVERTISMENT: Întotdeauna protejați-vă mâinile purtând mănuși rezistente sau înfășurând marginile tăioase cu cârpe sau alte materiale când efectuați orice operație de întreținere asupra lamei de tăiere. Întotdeauna scoateți cheia de siguranță și setul de acumulatori când efectuați operații de întreținere sau transportați mașina de tuns.

- **Îndepărtarea lamei**
Respectați Fig. T.

OBSERVAȚIE: Dacă bolțul se rotește cu axul motorului când slăbiți bolțul, rotiți ventilatorul cu mâna pentru a alinia găurile din ventilator cu găurile din lamă, și amplasați o altă tijă metalică în găurile aliniate (Fig. U).

- **Instalarea lamei**
Urmând ordinea de asamblare din Fig. V, cu lama ventilatorului înspre carcasă și proeminența de pe lamă înspre exterior, aliniați găurile de pe ventilator cu găurile din lamă (Fig. W), după care strângeți lama ca în instrucțiunile din Fig. X.

Fig. U & V pentru descrierea pieselor consultați tabelul de mai jos:

U-1	Stabilizator 1	V-2	Flanșă interioară
U-2	Stabilizator 2	V-3	Lamă
U-3	Cheie de 14mm	V-4	Flanșă exterioră
V-1	Ventilator	V-5	Bolț

OBSERVAȚIE: Cuplul recomandat pentru strângerea bolțului lamei este 49-59Nm.

DEPOZITAREA MAȘINII DE TUNS IARBA

- Îndepărtați setul de acumulatori din mașina de tuns iarba și depozitați-l într-un loc răcoros, uscat și curat. Nu depozitați mașina în apropierea materialelor corozive precum fertilizanți sau sare gemă.
- Depozitați mașina de tuns într-un spațiu închis acoperit, răcoros și uscat și inaccesibil copiilor.
- Nu acoperiți mașina de tuns cu o folie de plastic solidă. Foliile acoperitoare de plastic acumulează umezeala în jurul mașinii de tuns iarba, ceea ce poate provoca rugină și corozione.

- Mașina de tuns poate fi depozitată într-o poziție verticală sau orizontală (Fig. Y).

⚠️ AVERTISMENT: Dacă mașina de tuns începe să se încline din poziția verticală, poate cauza avarierea mașinii sau rănirea persoanelor. Întotdeauna păstrați mașina de tuns stabilă și inaccesibilă copiilor când este depozitată în poziție verticală. Dacă este posibil, depozitați-o orizontal.

Protejarea mediului înconjurător



Nu eliminați echipamentul electric, încărcătorul de acumulatori și bateriile/acumulatorii împreună cu deșeurile menajere!

Conform Directivei europene 2012/19/UE, sculele echipamentele electrice și electronice care nu mai sunt utilizabile, și conform Directivei europene 2006/66/CE, seturile de acumulatori/bateriile defecte sau uzate trebuie colectate separat.

Dacă aparatele electrice sunt aruncate la groapa de gunoi sau la haldă, se pot scurge substanțe periculoase în pânza freatică și acestea pot intra în lanțul trofic, afectându-vă sănătatea și bunăstarea.

DECLARAȚIE DE CONFORMITATE CE

Noi, EGO EUROPE GMBH

Wahlwiesenstrasse 1, D-71711 Steinheim an der Murr
Deutschland

Declarăm că produsul MAȘINĂ DE TUNS IARBA CU ACUMULATOR DE LITIU ION DE 56 VOLȚI **LM2120E/LM2120E-SP** este conform cerințelor esențiale în materie de sănătate și siguranță ale următoarelor Directive:

2006/42/CE, 2014/30/UE, 2011/65/UE, 2000/14/CE

Standarde și specificații tehnice la care se referă:

EN 60335-1, EN 60335-2-77, EN 62233, EN 55014-1, EN 55014-2

	LM2120E	LM2120E-SP
Nivel de putere acustică măsurat:	89,9 dB(A)	89,5 dB(A)
Nivel de putere acustică garantat:	92 dB(A)	92 dB(A)

Procedura de evaluare a conformității din Anexa VI este respectată conform 2000/14/CE.

Organism notificat: Societate Nationale de Certification et d'Homologation

Număr corp notificat: 0499

KEES VAN DER SPEK
TUINMACHINES * STOLWIJK

Peter Melrose
Director general EGO Europe GmbH

Dong Jianxun
Manager al calității la Chervon

* (Reprezentat autorizat CHERVON și responsabil pentru documentația tehnică)

01/09/2016

RO

GHID DE DEPANARE

⚠️ AVERTISMENT: Întotdeauna scoateți cheia de siguranță și setul de acumulatori când efectuați operații de întreținere sau transportați mașina de tuns. Întotdeauna protejați-vă mâinile purtând mănuși rezistente sau înfășurând marginile tăioase cu cârpe sau alte materiale când efectuați orice operație de întreținere asupra lamei de tăiere.

PROBLEMĂ	CAUZĂ	SOLUȚIE
Mașina de tuns nu pornește.	<ul style="list-style-type: none"> ■ Setul de acumulatori este descărcat. ■ Setul de acumulatori nu este montat în compartimentul de acumulatori. ■ Setul de acumulatori sau mașina sunt prea fierbinți. (Indicatorul de alimentare de pe mașină se va aprinde portocaliu pentru 10 secunde) ■ Șinele laterale nu sunt extinse la lungimea lor maximă și clemele nu sunt blocate în poziție. ■ Mănerul nu este setat într-una dintre cele două poziții de funcționare. ■ Mașina de tuns este înfundată cu iarbă și resturi. 	<ul style="list-style-type: none"> ■ Încărcați setul de acumulatori. ■ Atașați setul de acumulatori de mașină. Apăsăți în jos setul de acumulatori până la auzul unui clic. ■ Lăsați setul de acumulatori sau mașina de tuns iarba să se răcească până când temperatura scade sub 67°C. ■ Extindeți la maxim mânerul și blocați ambele cleme. ■ Ajustați mânerul într-una dintre cele două poziții de funcționare. ■ Curățați carcasa mașinii de tuns și asigurați-vă că lama nu este obstrucționată.
Mașina de tuns nu tunde uniform	<ul style="list-style-type: none"> ■ Lama este tocită. ■ Înălțimea de tăiere nu este setată corect. ■ Lama este asamblată greșit. 	<ul style="list-style-type: none"> ■ Ascuțiți sau înlocuiți lama. ■ Ridicați carcasa mașinii la o înălțime mai mare de tăiere. ■ Reasamblați lama, urmând instrucțiunile din capitolul "INSTALAREA LAMEI" din acest manual.
Mașina de tuns se oprește în timpul tunsului	<ul style="list-style-type: none"> ■ Setul de acumulatori este descărcat. ■ Mașina este suprasolicitată. ■ Carcasa mașinii este înfundată cu iarbă și resturi. ■ Setul de acumulatori sau mașina sunt prea fierbinți. (Indicatorul de alimentare de pe mașină se va aprinde portocaliu pentru 10 secunde) ■ Șina laterală este retractată un pic datorită forței de împingere aplicată pe mâner. 	<ul style="list-style-type: none"> ■ Încărcați setul de acumulatori. ■ Ridicați înălțimea de tăiere sau încetiniți tunsul. ■ Desfundați carcasa mașinii de tuns. Ridicați înălțimea de tăiere sau tăiați un culoar mai îngust. ■ Lăsați setul de acumulatori sau mașina de tuns iarba să se răcească până când temperatura scade sub 67°C. ■ Deblocați clemele. Extindeți la maxim șinele laterale și blocați din nou clemele.

PROBLEMĂ	CAUZĂ	SOLUȚIE
Mașina de tuns nu toacă resturile corect	<ul style="list-style-type: none"> ■ Resturile de iarbă tăiată udă se lipesc de dedesubtul carcasei. ■ Mașina de tuns este setată să taie prea multă iarbă odată. 	<ul style="list-style-type: none"> ■ Așteptați să se usuce iarba înainte de a tunde. ■ Ridicați carcasa mașinii la o înălțime mai mare de tăiere.
Există vibrații excesive	<ul style="list-style-type: none"> ■ Lama de tăiere este slăbită. ■ Lama de tăiere este dezechilibrată. ■ Lama de tăiere este îndoită. ■ Axul motorului este îndoit. 	<ul style="list-style-type: none"> ■ Strângeți bolțul lamei. ■ Echilibrați lama în conformitate cu instrucțiunile. ■ Înlocuiți lama. ■ Contactați un centru de service.
Clemele de blocare ale mânerului nu pot fi închise în poziție.	Șinele laterale nu sunt extinse la maxim.	Extindeți la maxim șinele laterale, după care blocați clemele.

GARANȚIA

POLITICA DE GARANȚIE EGO

Vă rugăm consultați website-ul egopowerplus.com pentru termenii și condițiile complete ale politicii de garanție EGO.

KES VAN DER SPEK
TUINMACHINES ★ STOLWIJK

PREBERITE VSA NAVODILA!



PREBERITE PRIROČNIK Z NAVODILI ZA UPORABO

⚠ Preostalo tveganje! Pred uporabo izdelka se morajo osebe z elektronskimi napravami, kot je srčni spodbujevalnik, posvetovati s svojim zdravnikom. Delovanje električne opreme v bližini srčnega spodbujevalnika lahko povzroči motnje ali okvaro srčnega spodbujevalnika.

⚠ OPOZORILO: Za zagotovitev varnosti in zanesljivosti mora vsa popravila izvesti usposobljen serviser.

Namenska uporaba in predvidena nepravilna uporaba:

Izdelek je namenjen košenju trave le v domačih vrtovih. Izdelek ne smete uporabljati za košnja neobičajno visoke, suhe ali mokre trave, npr. trave na pašnikih ali listja. Izdelek se lahko uporablja samo za predpisan namen. Karkršna koli druga uporaba se smatra za nepravilno uporabo.

VARNOSTNI SIMBOLI

Namen varnostnih simbolov je, da pritegnejo vašo pozornost na morebitne nevarnosti. Varnostni simboli in njihova pojasnila si zaslužijo vašo pozornost in razumevanje. Opozorilni simboli sami ne odpravljajo nobene nevarnosti. Navodila in opozorila niso nadomestilo za ustrezne ukrepe za preprečevanje nesreč.

⚠ OPOZORILO: Poskrbite, da boste pred uporabo orodja prebrali in razumeli vsa varnostna navodila v priročniku z navodili za uporabo, vključno z vsemi simboli za varnostna opozorila, kot so »NEVARNOST«, »OPOZORILO«, in »SVARILO«. Neupoštevanje spodaj navedenih navodil se lahko odrazi v električnem udaru, požaru in/ali resnih telesnih poškodbah.

SL POMEN SIMBOLOV

SIMBOL VARNOSTNEGA OPOZORILO: Nakazuje **NEVARNOST, OPOZORILO** ali **SVARILO**. Uporablja se lahko skupaj z drugimi simboli ali piktogrami.

⚠ OPOZORILO: Delovanje katerega koli električnega orodja lahko povzroči metanje tujkov v vaše oči, kar lahko povzroči resne poškodbe očesa. Pred začetkom dela z električnim orodjem vedno nosite zaščitna očala ali varnostna očala s stranskimi zaščitami in kadar je treba tudi ščit za celoten obraz. Priporočamo vam uporabo varnostne maske Wide Vision Safety Mask za uporabo preko očal ali standardnih varnostnih očal s stransko zaščito.

VARNOSTNA NAVODILA

Na tej strani so prikazani in opisani varnostni simboli, ki se lahko pojavijo na tem izdelku. Preberite, osvojite in sledite navodilom na stroju preden ga boste poskušali sestaviti in upravljati.

	Varnostno opozorilo	Ukrepi za večjo varnost.
	Nosite zaščito za oči	Pri upravljanju tega izdelka vedno nosite zaščitna očala ali varnostna očala s stransko zaščito in zaščito za celoten obraz.
	Preberite priročnik z navodili za uporabo	Za zmanjšanje nevarnosti poškodb je pomembno, da si uporabnik pred uporabo naprave prebere priročnik z navodili za uporabo.
	Pazite na ostra rezila.	Potem, ko je motor že ugasnjen, se rezila še naprej vrtijo. Pred vzdrževanjem odstranite napravo za ustavljanje. Izklopite in odstranite baterijski sklop (napravo za ustavljanje) pred prilagajanjem ali čiščenjem.
	Prisotni naj bodo varno oddaljeni	Poskrbite, da bodo drugi ljudje in hišni ljubljenci vsaj 30 m stran od kosilnice, ko je v uporabi.
	Konstrukcija razreda II	Dvojno izolirana konstrukcija
IPX4	Simbol IP	4. stopnja zaščite pred vdorom vode
V	Volt	Napetost
A	Amperi	Tok
Hz	Hertz	Frekvenca (v ciklih na sekundo)
W	Watt	Napajanje

min	Minute	Čas
	Izmenični tok	Vrsta toka
	Enosmerni tok	Vrsta ali značilnost toka
n_0	Št. vrtljajev v prostem teku	Hitrost vrtenja, brez obremenitve
... /min	Na minuto	Vrtljajev na minuto.

VARNOSTNA PRAVILA ZA BREŽIČNO KOSILNICO

⚠ NEVARNOST: Ta stroj je bil izdelan za upravljanje v skladu s pravili za varno upravljanje v tem priročniku. S to vrsto naprav lahko brezbržnost ali napaka s strani upravljavca vodita v resno poškodbo. Ta stroj lahko povzroči poškodbe dlani in stopal ter metanje predmetov. Če teh navodil ne boste spoštovali, lahko pride do hudih poškodb ali celo smrti.

⚠ OPOZORILO: Pri uporabi brezžičnih kosilnic morate vedno upoštevati osnovne previdnostne ukrepe, saj le tako lahko zmanjšate nevarnost požara, električnega udara, opeklin in telesnih poškodb.

POMEMBNO

PRED UPORABO NATANČNO PREBERITE. SHRANITE ZA PRIHODNJO UPORABO.

VARNOSTNA PRAVILA ZA BREŽIČNE KOSILNICE:

SVARILO: NE DOTIKAJTE SE VRTEČEGA REZILA!

URJENJE

- Pazljivo preberite navodila. Seznanite se s krmilnimi elementi in pravilno uporabo naprave.
- Naprave nikoli ne smejo uporabljati otroci ali osebe, ki s to napravo niso seznanjene. Krajevni predpisi lahko omejujejo starostno mejo upravljavcev.
- Ne kosite, če so v bližini ljudje, zlasti otroci, ali pa domače živali.
- Upravljaev oziroma uporabnik je odgovoren za nesreče in tveganja drugih ljudi in lastnine.

PRIPRAVA

- Med upravljanjem naprave vedno nosite ustrezno obutev in dolge hlače.
- Naprave ne upravljajte bosi ali v odprtih sandalih. Ne nosite oblačil, ki so ohlapna ali z njih visijo trakovi.
- Območje, kjer boste uporabljali napravo, temeljito pregledjte in odstranite vse kamne, palice, žice, kosti in druge tujke.

- Pred uporabo napravo pregledjte za obrabo ali poškodbe rezil, vijakov rezil in sklopa rezila. Obrabljena ali poškodovana rezila in vijake zamenjajte v kompletih, da ohranite uravnoteženost naprave. Zamenjajte poškodovane ali neberljive oznake.

DELOVANJE

- Kosite le podnevi ali ob dobri umetni svetlobi.
- Kjer je mogoče, se izognite uporabi naprave v mokri travi.
- Pri uporabi na pobočjih vedno pazite na ravnotežje.
- Hodite, nikoli ne tecite.
- Z rotacijskih kosilnicah na kolesih kosite poševno glede na pobočje, nikoli navzgor in navzdol.
- Pri menjavanju smeri na pobočjih bodite izredno previdni.
- Ne kosite preveč strmih pobočij.
- Pri vzvratnem premikanju ali ob potegu naprave proti sebi bodite izjemno previdni.
- Ustavite rezila, če je treba napravo nagniti za transport preko površin, ki niso trava, in pri transportu naprave na in z območja košnje.
- Naprave ne upravljajte, če so okvarjeni ščitniki, če ni nameščenih varnostnih naprav, kot so odbojniki in/ali lovilci trave.
- Motor zaženite v skladu z navodili in z dovolj odstranjenimi stopali od rezila.
- Pri zagonu motorja ne nagibajte naprave, razen če je napravo treba nagniti za zagon. V tem primeru je ne nagnite bolj kot je nujno potrebno in dvignite samo del, ki je odmaknjen od upravljavca. Preden boste napravo položili nazaj na tla, se prepričajte, da sta obe roki v položaju za upravljanje.
- Stroja ne zaženite, kadar stojite pred odprtino za izmet.
- Roke in stopala držite stran od vrtečih se delov. Pri rotacijskih kosilnicah bodite ves čas stran od odprtine za izmet.
- Medtem ko motor teče, naprave ne dvigujte in ne nosite.
- Izklopite in odstranite baterijski sklop (ali napravo za ustavljanje) in pred prilagajanjem ali čiščenjem poskrbite, da so se vsi vrtljivi deli popolnoma ustavili.
 - Kadar koli odložite stroj:
 - Pred čiščenjem blokade ali čiščenjem posode;
 - Pred pregledom, čiščenjem ali delom na napravi;
 - Potem, ko zadenete ob tujek. Napravo pregledjte za poškodbe in jo popravite, če je treba.
 - Če naprava začne nenormalno vibrirati (preverite takoj):
 - Pregledjte za poškodbe:

- Zamenjajte poškodovane dele;
- Preglejte in privijte morebitne zrahljane dele.

VZDRŽEVANJE IN SHRANJEVANJE

- Med prilagajanjem stroja bodite previdni, da preprečite ujetost prstov med premikajoča rezila in fiksne dele naprave.
- Vse matice in vijaki naj bodo trdno priviti, da boste zagotovili varno delovno stanje naprave.
- Zbiralnik trave redno preverjajte za obrabo ali razpad.
- Obrabljene ali poškodovane dele zaradi varnosti redno menjajte.
- Otroci naj ne izvajajo čiščenja in vzdrževanja naprave brez nadzora.
- Pri servisiranju rezil se zavedajte, da tudi če je vir napajanja izključen, se lahko rezila še vedno premikajo.
- Pri rotacijskih kosilnicah poskrbite, da boste uporabili le nadomestna rezilna sredstva prave vrste.

OSEBNA VARNOST

Če upravljaavec ni pozoren na prisotnost otrok, lahko pride do tragičnih nesreč. Otroke velikokrat privlači kosilnica in košenje. Ne razumejo nevarnosti. Nikoli ne predvidevajte, da bodo otroci ostali, kjer ste jih nazadnje videli.

- Otroci naj bodo izven območja košnje pod budnim očesom odgovorne odrasle osebe, ki ni upravljaavec.
- Bodite pozorni in kosilnico izklopite, če otrok vstopi v območje košnje.
- Izjemno previdni bodite, ko vstopate v mrtve kote, v bližino vrat, grmovja, dreves ali drugih objektov, ki lahko zmanjšajo vašo vidljivost otroka, ki lahko priteče h kosilnici.
- Otroke je treba nadzorovati in poskrbeti, da se ne igrajo s kosilnico.
- Ko iz orodja odstranjujete baterijski sklop, vedno izklopite kosilnico. Ustavite rezila, če je treba napravo nagniti za transport preko površin, ki niso trava, in pri transportu naprave na in z območja košnje.

DELOVANJE

SPLOŠNO DELOVANJE:

- Pred sestavljanjem stroja temeljito preberite celoten priročnik z navodili za uporabo. Pred upravljanjem preberite, osvojite in sledite navodilom na stroju in v priročnikih. Pred upravljanjem se popolnoma seznanite s kontrolami in pravilno uporabo tega stroja. Hranite ta priročnik na varnem mestu za nadaljnjo in redno referenco ter za naročanje rezervnih delov.
- Uporabite pravo napravo. Kosilnico uporabljajte izključno za dela, za katera je namenjena.

- Ne segajte predaleč. Pazite, da stojite stabilno in da imate ravnotežje.
- Predmeti, ki obtičijo ob rezilu kosilnice, lahko povzročijo resne telesne poškodbe. Pred vsako košnjo morate kosilnico temeljito pregledati in iz nje očistiti tujke.
- Pred in med premikanjem nazaj glejte nazaj in navzdol ter bodite pozorni na otroke in druge ljudi.
- Ta stroj ni igrača. Zato bodite vedno zelo previdni. Vaša enota je bil zasnovana za opravljanje enega dela: košnje trave. Za druge namene je ne uporabljajte.
- Kosilnice ne uporabljajte s silo. Svoje delo bo opravljala bolje in bolj varno pri hitrosti, za katero je bila zasnovana.
- Pred uporabo napravo preglejte za obrabo ali poškodobe rezil, vijakov rezil in sklopa rezila. Za ohranjanje ravnotežja hkrati zamenjajte obrabljena ali poškodovana rezila in vijake. Zamenjajte poškodovane ali neberljive oznake.
- Pri vzratnem premikanju ali ob potegu naprave proti sebi bodite izjemno previdni.
- Temeljito preglejte območje, kjer boste uporabljali opremo. Odstranite vse kamne, palice, žico, igrače in druge tujke, ob katere se lahko spotaknete ali jih zgrabite in izvrže rezilo. Takšni predmeti lahko povzročijo resno telesno poškodbo. Načrtujte potek košnje, da se izognete odmetavanju materiala proti cesti, pločnikom, prisotnim ljudem in podobno. Poleg tega se izognite odmetavanju materiala ob stene ali ovire, od katerih se bi lahko material odbil nazaj proti upravljavcu.
- da se izognete stiku z rezilom ali poškodbam zaradi izmeta predmetov, ostanite v območju upravljavca za ročaji, otroci, prisotni, pomočniki in hišni ljubljenci pa naj bodo med košnjo vsaj 30 m stran od kosilnice. Če kdor koli vstopi v območju, kosilnico ustavite.
- Med upravljanjem naprave in med prilagajanjem ali popraviljem vedno nosite varnostna očala ali zaščitna očala. Predmeti, ki jih izvrže lahko resno poškodujejo oči. Pri prašnem delu vedno nosite masko za obraz ali protiprašno masko.
- Primerno se oblecite. Ne nosite ohlapnih oblačil ali nakita. To lahko povzroči ujetje med premikajoče dele. Pri delu zunaj je priporočljivo, da uporabljate gumijaste rokavice in čevlje. Nosite močne delovne čevlje z grobim podplatom in prilegajoče se hlače in majice. Priporočljivo so dolge hlače in majice z dolgimi rokavi ter čevlji z varnostno kapico. Stroja nikoli ne upravljajte bos, v sandalih, v spolzkih ali lahkih čevljih (npr. platnenih).
- Dlani ali stopal ne polagajte v bližino vrtečih se delov ali pod kosišče. Stik z rezilom lahko poškoduje dlani in stopala.
- Manjkajoči ali poškodovan pokrov izmeta lahko povzroči stik z rezilom ali poškodbe zaradi izvrženih predmetov.

- Veliko poškodb se zgodi zaradi potega kosilnice preko stopala ob padcu zaradi zdrsa ali spotika. Ob padcu takoj izpusite ročaj kosilnice.
- Medtem ko hodite, kosilnice nikoli ne vlecite nazaj proti sebi. Če morate kosilnico odkrniti od stene ali ovire, najprej poglejte navzdol in nazaj, da se izognete padcu, nato sledite naslednjim korakom:
 - Stopite nazaj od kosilnice, da popolnoma iztegnete roke.
 - Prepričajte, da ste dobro uravnoteženi in imate dobro oporo.
 - Kosilnico počasi povlecite nazaj, vendar ne več kot polovico poti proti sebi.
 - Kadar je potrebno te korake ponovite.
- Kosilnice ne upravljajte, če ste pod vplivom alkohola ali drog.
- Naprave ne upravljajte, če so okvarjeni ščitniki, če ni nameščenih varnostnih naprav, kot so odbojniki in/ali lovilci trave.
- Ostanite pozorni. Pazite, kaj delate. Uporabite zdrav razum. Kadar ste utrujeni, kosilnice ne uporabljajte.
- Kontrolni ročaj motorja/rezila je varnostna naprava. Nikoli ne poskušajte obiti njegovega delovanja. Če to storite, bo varnostna naprava postala nedelujoča in lahko vodi v telesno poškodbo zaradi stika z vrtečim se rezilom. Kontrolni ročaj motorja rezila mora delovati z lahkoto v obe smeri ter se samodejno vrniti v neaktiviran položaj, ko ga sprostite.
- Izogibajte se nevarnim okoljem. Kosilnic ne uporabljajte v vlažnih ali mokrih okoljih.
- Naprave ne uporabljajte v dežju.
- Vedno stojite trdno. Zdrs in padec lahko povzročita resno telesno poškodbo. Če imate občutek, da izgubljate oporo, nemudoma sprostite kontrolni ročaj motorja/rezila in rezilo se bo v treh sekundah nehalo vrteni.
- Pri prečkanju gramoznih cest, poti ali cest ustavite rezilo.
- Če začne oprema nenormalno vibrirati, ustavite motor in takoj poskušajte ugotoviti vzrok. Vibracije so običajno opozorilo pred težavami.
 - Preglejte za poškodbe:
 - Zamenjajte ali popravite poškodovane dele, ki jih lahko uporabnik zamenja sam;
 - Preverite, ali so kateri koli deli zrahljani in jih privijte.
 - Kosilnice nikoli ne upravljajte brez primerne zadnjega ščitnika, pokrova izmeta, vreče za travo, vložka za mulčenje, stranskega deflektorja za izmet, kontrolnega ročaja za motor/rezilo ali drugih nameščenih in delujočih varnostnih naprav za zaščito. Kosilnice s poškodovanimi varnostnimi napravami nikoli ne upravljajte. Če tega ne upoštevate, lahko pride do telesnih poškodb.

- Če pride do situacij, ki jih ta priročnik ne predvideva, bodite pazljivi in uporabite dobro presojo. Za pomoč stopite v stik s storitvijo za kupce EGO.
- Napravo uporabljajte le z baterijskimi sklopi in polnilniki, navedenimi spodaj:

BATERIJSKI SKLOP	POLNILNIK
BA1120E, BA2240E, BA2800, BA3360, BA4200	CH5500E, CH2100E

- Preden napravo zavzete, morate iz nje odstraniti baterijski sklop.
- Baterijo morate varno odvreči.

DELOVANJE NA POBOČJU

Pobočja predstavljajo velik faktor pri nastanku nesreč zaradi zdrsa in padca, ki lahko vodijo v resne telesne poškodbe. Pri uporabi na pobočjih vedno pazite na ravnotežje. Uporaba na pobočjih zahteva dodatno previdnost. Če na pobočju niste sproščeni, ga ne kosite.

Naredite:

- Kosite poševno po pobočju, nikoli navzdol in navzgor. Pri menjavanju smeri na pobočjih bodite izredno previdni.
- Pazite na luknje, skale, skrite predmete ali izbokline, zaradi katerih lahko zdrsnete ali se obnje spotaknete. Visoka trava lahko skriva ovire.

Nikoli:

- Nikoli ne kosite v bližini odlagališč, jarkov ali nasipov, saj lahko izgubite oporo ali ravnotežje.
- Ne kosite pobočjih, ki so strmejša od 15 stopinj.
- Ne kosite mokre trave. Nestabilna pozicija lahko povzroči zdrs.

SERVIS

⚠ OPOZORILO: Komponente vreče za travo, pokrova izmeta, stranskega deflektorja za izmet, vložka za mulčenje in zadnjega ščitnika se obrabijo in poškodujejo, kar lahko izpostavi premikajoče se dele ali dovolj izmed predmetov, to pa lahko vodi do nevarnosti poškodbe. Za varnostno zaščito redno preverjajte vse komponente in poškodovane komponente nemudoma zamenjajte z identičnimi nadomestnimi deli, navedenimi v tem priročniku. Stopite v stik s storitvijo za kupce EGO ali najbližjim servisnim centrom EGO. Popravila in zamenjave mora izvesti pooblaščen servisler.

- Če se vgrajeno stikalo kosilnice za zaščito pred preobremenitvijo pogosto sproža, stopite v stik s storitvijo za kupce EGO ali najbližjim servisnim centrom EGO.

- Kosilnice ne umivajte s cevjo. Voda naj ne pride v motor ali električne priključke.
- Odstranite ključ in nedejavno kosilnico shranite v notranjost, kadar ni v uporabi. Preden kosilnico shranite v zaprt prostor, naj se motor ohladi. Kosilnica mora biti shranjena na suhem, visokem in zaklenjenem mestu izven dosega otrok.
- Pri servisiranju uporabljajte le identične nadomestne dele, navedene v tem priročniku. Uporaba delov, ki ne izpolnjujejo zahtev originalne opreme, lahko vodi k neprimernemu delovanju in ogroženi varnosti.
- Pred servisiranjem, čiščenjem ali odstranjevanjem materiala iz kosilnice odstranite ali odklopite baterijski sklop.
- Sledite navodilom za menjavo priključkov.
- Ročaji naj bodo suhi, čisti in brez madežev olja ali masti.
- Za zmanjšanje nevarnosti požara, naj bo pokrov motorja brez nanosa trave, listja in delcev.
- Redno preverjajte, če so vijaki za namestitev rezila in motorja dovolj trdno priviti. Prav tako vizualno pregledajte rezilo za poškodbe (npr. upogibanje, razpoke in izraba). Rezilo zamenjajte le z identičnim nadomestnim rezilom, navedenim v tem priročniku.
- Kosilnico skrbno vzdržujte. Rezilo kosilnice naj bo ostro in čisto za najboljše in najbolj varno delovanje. Rezila kosilnice so ostra in vas lahko urežejo. Rezilo ovijte ali nosite rokavice ter bodite posebej previdni pri servisiranju.
- Varnostnih naprav nikoli ne odstranjajte ali spreminjajte. Redno preverjajte njihovo pravilno delovanje. Nikoli ne naredite ničesar, kar bi vplivalo na namensko funkcijo varnostne naprave ali bi zmanjšalo zaščito, ki jo zagotavlja varnostna naprava.
- Pred prilagajanjem kolesa ali višine košnje vedno ustavite motor.
- Če zadenete ob tujek, ustavite motor, odstranite ključ in kosilnico temeljito pregledajte za poškodbe. Pred upravljanjem kosilnice popravite poškodbo.
- Vzdržujte ali, če je potrebno, zamenjajte varnostne nalepke in nalepke z navodili. Stopite v stik s storitvijo za kupce EGO ali najbližjim servisnim centrom EGO. Popravila in zamenjave mora izvesti pooblaščen serviser.
- **TA NAVODILA SHRANITE.** Pogosto jih preberite. Uporabite jih tudi za poučevanje ostalih, ki uporabljajo to napravo. Če to orodje komu posodite, posodite tudi ta navodila, da tako za preprečite nepravilno uporabo izdelka in možnost poškodb.
- Za ohranjanje naravnih virov, pravilno reciklirajte oziroma odvrzite baterijo. Ta izdelek vsebuje litij-ionske baterije. Lokalni oziroma nacionalni predpisi prepovedujejo odlaganje litij-ionskih baterij med navadne odpadke. Za informacije glede razpoložljivih možnosti za recikliranje in/ali odstranjevanje se obrnite na lokalne oblasti za ravnanje z odpadki.
- Po odstranitvi baterijskega sklopa za odlaganje ali recikliranje sponke baterijskega sklopa prelepote z odpornim lepilnim trakom. Baterijskega sklopa ne poskušajte uničiti ali razstaviti oziroma odstraniti katerega koli sestavnega dela. Litij-ionske baterije je treba reciklirati ali primerno zavreči. Poleg tega se nikoli ne dotikajte sponk s kovinskimi predmeti in/ali deli telesa, saj lahko pride do kratkega stika. hranite izven dosega otrok. Če teh opozoril ne upoštevate, lahko pride do požara in/ali hudih poškodb.
- **OB ZLORABI BATERIJE LAHKO IZ NJE STEČE TEKOČINA. ČE SE PO NESREČI DOTAKNETE TEKOČINE, MESTO DOTIKA SPERITE Z VODO. ČE PRIDE TEKOČINA V STIK Z OČMI, POIŠČITE ZDRAVSTVENO POMOČ.** Tekočina, ki izteče iz baterije lahko povzroči vnetje ali opekline.

TEHNIČNI PODATKI

Številka modela	LM2120E	LM2120E-SP	
Samohodni sistem	Ne	Taip	
Napetost	56 V	56 V	
Št. vrtljajev v prostem teku	2800 /min	2800 /min	
Višina košnje	28-94 mm	28-94 mm	
Pozicije višine košnje	6	6	
Velikost deflektorja	53 cm	53 cm	
Širina košnje	52 cm	52 cm	
Prostornina vreče za travo	70 L	70 L	
Teža kosilnice (brez baterijskega sklopa)	22,10 kg	24,55 kg	
Model rezila	AB2101	AB2101	
Izmerjena raven zvočnega tlaka L_{WA} $K=2$ dB(A)	89,9 dB(A)	89,5 dB(A)	
Raven zvočnega tlaka v ušesu upravljalca L_{PA} $K=3$ dB(A)	87 dB(A)	87 dB(A)	
Zajamčena raven zvočnega tlaka L_{WA} (izmerjena glede na 2000/14/EC)	92 dB(A)	92 dB(A)	
Vibracije a_h $K=1,5$ m/s ²	Levi ročaj	≤ 2,5 m/s ²	≤ 2,5 m/s ²
	Desni ročaj	≤ 2,5 m/s ²	≤ 2,5 m/s ²
Zavora rezila	DA	DA	

- Deklarirana skupna vrednost vibracij je bila izmerjena v skladu s standardno preskusno metodo in se lahko uporabi za medsebojno primerjavo različnih orodij.
- Navedena skupna vrednost vibracij se lahko uporabi za predhodne ocene izpostavljenosti.

OPOMBA: Emisije vibracij se lahko med dejansko uporabo električnega orodja razlikujejo od deklarirane vrednosti, pri kateri se orodje uporablja. Z namenom zaščite upravljalca mora uporabnik v dejanskih pogojih uporabe nositi rokavice in zaščitno za ušesa.

SEZNAM PAKIRANJA

IME DELA	KOLIČINA
Kosilnica	1
Vreča za travo	1
Okrvir vreče za travo	1
Vložek za mulčenje	1
Varnostni ključ	2
Priložnik z navodili za uporabo	1

OPIS

SPOZNAJTE SVOJ OBREZOVALNIK ŽIVE MEJE (slika

A & B & C)

1. Varnostni gumb
2. Sprožilec samohodnega sistema
3. Sponka za zaklepanje ročaja
4. Zadnja vrata za izmet
5. Zadnji ročaj
6. Pokrov baterijskega sklopa
7. Žarometi LED
8. Sprednji ročaj
9. Sprednje kolo
10. Vzvod za prilagajanje višine košnje
11. Pokrov kosilnice
12. Zadnje kolo
13. Vreča za travo
14. Vzvod za hitro prilagajanje
15. Stranski ročaj
16. Vzvod za nadzor hitrosti samohodnega sistema
17. Vzvod varnostnega stikala
18. Ročaj
19. Vložek za mulčenje
20. Podpora za shranjevanje v pokončnem položaju
21. Zadnji ščitnik
22. Gumb za stikalo delovnih luči LED
23. Indikator napajanja

DELOVANJE

NAMEŠČANJE VREČE ZA TRAVO

- 1) Vrečo za travo potisnite na okvir (slika D).
- 2) Zgornje sponke namestite na okvir (slika E), nato namestite dve stranski sponki. Nazadnje namestite spodnjo sponko.

- 3) Na sliki F je prikazana popolnoma nameščena vreča za travo.

OPOMBA: Pod normalnimi pogoji je material vreče podvržen obrabi. Da zmanjšate tveganje za poškodbe, redno preverjajte sklop vreče in jo zamenjajte, če se pojavijo znaki obrabe. Uporabljajte le vreče za travo, izdelane za to kosilnico.

PRILAGAJANJE ZLOŽLJIVEGA ROČAJA

⚠ OPOZORILO: Ne poskušajte upravljati kosilnice, dokler ročaj ni zaklenjen v enega izmed dveh prednastavljenih položajev (ZGORNJI POLOŽAJ DELOVANJA ali SPODNJI POLOŽAJ DELOVANJA).

Vaša kosilnica je dobavljena z ročajem v kompaktnem ZAKLENJENEM POLOŽAJU ZA SHRANJEVANJE (slika G).

- 1) Pritisnite in držite vzvod za hitro prilagajanje, da sprostite ročaj iz ZAKLENJENEGA POLOŽAJA ZA SHRANJEVANJE (slika H-1).
- 2) Ročaj dvignite iz zloženega položaja, nato sprostite vzvod. Nežno zavrtite ročaj navzgor, da zaslišite in začitite aktivacijo zaklepne sponke na enem izmed različnih položajev, kot je prikazano na sliki H.

- POLOŽAJ ZA NAMESTITEV/ODSTRANITEV VREČE ZA TRAVO (slika H-2)
- ZGORNJI POLOŽAJ DELOVANJA (slika H-3)
- SREDNJI POLOŽAJ DELOVANJA (slika H-4)
- SPODNJI POLOŽAJ DELOVANJA (slika H-5)

NAMEŠČANJE/ODSTRANJEVANJE VREČE ZA TRAVO/VLOŽKA ZA MULČENJE

⚠ OPOZORILO: Nikoli ne izvajajte prilagoditev na kosilnici, ne da bi najprej ustavili motor, odstranili varnostni ključ in počakali, da se rezilo preneha vrteti.

OPOMBA: Pred košnjo na kosilnico namestite vse priključke.

- Namestitev/odstranitev vreče za travo (slika I)

OPOMBA: Odstranite predhodno nameščen vložek za mulčenje pred namestitvijo vreče za travo.

- Namestitev/odstranitev vložka za mulčenje (slika J)

PRILAGAJANJE VIŠINE KOŠNJE (slika K)

⚠ OPOZORILO: Pri prilagajanju višine imejte stopala stran od pokrova. Kosilnico lahko nastavite na 6 različnih višin med 28 mm in 94 mm. Izberite primerno višino košnje glede na tip in stanje trave.

OPOMBA: Pri premikanju orodja poskrbite, da je višina košnje nastavljena na položaj 3 ali višje. V nasprotnem primeru lahko poškodujete rezilo.

NAMEŠČANJE/ODKLAPLANJE BATERIJSKEGA SKLOPA (slika L)

Pred prvo uporabo ga napolnite.

⚠ OPOZORILO: Če je kateri izmed delov zlomljen ali manjka, baterijskega sklopa ne poskušajte namestiti v kosilnico ali upravljati kosilnice, dokler ne nadomestite zlomljenega ali manjkajočega dela. Neupoštevanje tega nasveta se lahko odrazi v hudih poškodbah.

■ Namestitev

Baterijski sklop potisnite v prostor za baterijo, da zaslišite klik..

■ Odklop

V prostoru za baterijo pritisnite gumb za sprostitev baterije.

Slika L: za opis delov glejte spodaj:

L-1	Reža za varnostni ključ
L-2	Varnostni ključ
L-3	Gumb za sprostitev baterije

OPOMBA: Pred začetkom upravljanja se prepričajte, da se zaklep na kosilnici zaskoči na mesto in da je baterijski sklop pritrjen na kosilnico.

ZAGON/ZAUSTAVITEV KOSILNICE

⚠ OPOZORILO: Delovanje katere koli kosilnice lahko povzroči metanje tujkov v vaše oči, kar lahko povzroči resne poškodbe očesa. Pri upravljanju kosilnice, izvajanju nastavitve ali popravi vedno nosite zaščitna očala.

⚠ OPOZORILO: Kosilnice ne uporabljajte v dežju.

⚠ OPOZORILO: Poskrbite, da bodo drugi ljudje in hišni ljubljenci vsaj 30 m stran od kosilnice, ko je v uporabi.

⚠ OPOZORILO: Po izključitvi kosilnice se bo rezilo še naprej vrtilo nekaj sekund. Pustite, da se motor (rezilo) ustavi, pred ponovnim zagonom. Kosilnice ne vključite in izključujte hitro.

OPOMBA: Motor se ne more zagnati, razen:

- Ročaj je zaklenjen v enem izmed treh položajev za delovanje, glejte razdelek NASTAVLJANJE ZLOŽLJIVEGA ROČAJA.
- Stranski ročaji so popolnoma iztegnjeni (slika M).
- Obe sponki za zaklep zelenega ročaja sta varno zaprti (slika N).

⚠ SVARILO: Ne poskušajte obiti delovanja varnostnega gumba in varnostnega stikala.

Zagon (slika P)

- 1) Baterijski sklop namestite na kosilnico, vstavite varnostni ključ v režo za ključ in zaprite pokrov baterije (slika L).
- 2) V skladu s sliko O pritisnite varnostni gumb navzdol.
- 3) Ko je varnostni gumb pritisnjen, potegnite vzvod varnostnega stikala navzgor k ročaju ter sprostite varnostni gumb.

Zaustavitev (slika Q)

- 1) Popolnoma sprostite vzvod varnostnega stikala.
- 2) Električna zavora v avtomatskem zavornem mehanizmu bo rezilo ustavila v 3 sekundah po sprostitvi vzvoda varnostnega stikala.

SAMOHODNI SISTEM S SPREMENLJIVO HITROSTJO

Kosilnica LM2120E-SP je opremljena s samohodno sposobnostjo s spremenljivo hitrostjo. Ta sistem je neodvisen od stikala za vklop/izklop rezila in ni odvisen od vrtenja rezila.

Za upravljanje sistema brez vrtenja rezila povlecite sprožilec samohodnega sistema k ročaju.

Za izklop samohodnega sistema sprostite sprožilec samohodnega sistema.

Sistem ima spremenljivo hitrost. Za povečanje hitrosti pomaknite vzvod za nadzor hitrosti samohodnega sistema naprej. Za zmanjšanje hitrosti pomaknite vzvod za nadzor hitrosti samohodnega sistema nazaj (slika R).

Za upravljanje z vrtečim rezilom za košnjo:

1. Zaženite kosilnico.
2. Medtem ko z levo roko držite vzvod varnostnega stikala ob ročaju, z desno povlecite sprožilec samohodnega sistema do ročaja.
3. Z desno roko ob ročaju hkrati držite vzvod varnostnega stikala in sprožilec samohodnega sistema, levo roko pa uporabite za nastavitev vzvoda za nadzor hitrosti samohodnega sistema, da izberete zeleno hitrost.

Opomba: Med košnjo je lažje, da se okoli objekta, kot so drevo ali rastline, premikate z izklopljenim samohodnim sistemom.

⚠ OPOZORILO: Da se izognete tveganju za poškodbe, nikoli ne poskušajte obiti delovanja stikala ali samohodnega sistema. Samohodni sistem uporabljajte le za predpisan namen.

ŽAROMETI LED (slika A-7)

Pritisnite gumb stikala (Slika C-22) za vklop/izklop žarometov LED v sprednjem delu prostora za baterijo.

INDIKATOR NAPAJANJA NA KOSILNICI (slika S)

Kosilnica je opremljena z indikatorjem napajanja, ki nakažuje stanje napolnenosti baterijskega sklopa in delovno stanje kosilnice. Indikator napajanja bo svetil, ko se bo rezilo vrtilo ali ko bodo delovne luči LED vklopljene.

Indikator napajanja na kosilnici	Pomen	Dejanje
Sveti zeleno	Kosilnica deluje pravilno, baterija je napolnjena na vsaj 15 %.	ni na voljo
Sveti rdeče	Nizek nivo	Ustavite kosilnico in napolnite baterijski sklop.
Utripa rdeče	Baterija je skoraj prazna.	Ustavite kosilnico in napolnite baterijski sklop.
Sveti oranžno	Kosilnica ali baterijski sklop je pregret.	Iz kosilnice odstranite baterijo, postavite ju v senco in ju vsaj 15 minut ohlajajte.
Utripa oranžno	Kosilnica je preobremenjena.	Upočasnite tempo ali dvignite višino košnje, da zmanjšate obremenitev.

ZAŠČITA KOSILNICE PRED PREOBREMENITVIJO

Da preprečite preobremenitev, ne poskušajte pokositi preveč trave naenkrat. Upočasnite tempo košnje ali povečajte višino košnje.

Vaša kosilnica ima vgrajeno zaščitno vezje pred preobremenitvijo. Ko je kosilnica preobremenjena, se bo motor ustavil, indikator napajanja na kosilnici pa bo utripal oranžno. Iz kosilnice odstranite baterijski sklop. Preverite, če se je pod pokrovom nabrala trava, ter jo očistite, če je treba. Nato namestite baterijo in ponovno zaženite kosilnico.

ZAŠČITA BATERIJE PRED VISOKO TEMPERATURO

Baterijski sklop med delovanjem ustvarja toploto. Toplota v vročem vremenu izginja počasneje. Če temperatura baterije preseže 70 °C med delovanjem, bo zaščitno vezje kosilnico samodejno izključilo, da bo tako baterijski sklop zaščitilo pred poškodbami. Indikator napajanja na kosilnici bo svetil oranžno in lučka LED na bateriji bo utripala oranžno. Sprostite vzvod varnostnega stikala, počakajte, da se baterijski sklop ohladi na približno 67 °C, nato kosilnico ponovno zaženite.

VZDRŽEVANJE

⚠ OPOZORILO: Da se izognete resni telesni poškodb, pred čiščenjem, vzdrževanjem ali transportom kosilnice, vedno odstranite varnostni ključ iz kosilnice.

⚠ OPOZORILO: Pri servisiranju uporabljajte le identične nadomestne dele. Uporaba drugih delov je tvegana in lahko povzroči škodo na izdelku. Za zagotovitev varnosti in zanesljivosti mora vsa popravila in zamenjave izvesti usposobljen serviser.

ČIŠČENJE KOSILNICE

Spodnjo stran pokrova kosilnice morate očistiti po vsaki uporabi, saj se tam nabirajo ostanki trave, listje, umazanija in drugi delci.

Odstranite ostanke trave in listja na ter okoli pokrova motorja (ne uporabljajte vode). Kosilnico obrišite s suho krpo.

ODSTRANJEVANJE/NAMEŠČANJE REZILA

⚠ OPOZORILO: Pri izvajanju vzdrževanja na rezilu kosilnice dlani vedno zaščitite z robustnimi rokavicami ali robove rezila ovijte s krpami ali drugim materialom. Pri servisiranju ali transportu kosilnice vedno odstranite varnostni ključ in baterijski sklop.

- **Odstranitev rezila**
Sledite prikazu na sliki T.

OPOMBA: Če se vijak vrti z gredjo motorja, ko odvijate vijak, z roko zasučite ventilator, da luknje v ventilatorju poravnate z luknjami v rezilu, v poravnane luknje pa namestite drugo kovinsko palico (slika U).

- **Namestitev rezila**
Sledite postopku nameščanja na sliki V. Ventilator rezila obrnite proti pokrovu in izboklino na rezilu proti zunanjemu delu. Rezilo poravnajte skozi luknje v ventilatorju z luknjami v rezilu (slika W), nato rezilo privijte, kot prikazuje slika X.

Slika U & V: za opis delov glejte spodaj:

U-1	Stabilizator1	V-2	Notranja prirobnica
U-2	Stabilizator2	V-3	Rezilo
U-3	14-mm ključ	V-4	Zunanja prirobnica
V-1	Ventilator	V-5	Vijak

OPOMBA: Priporočen navor za privitje vijaka rezila je 49–59 Nm.

SHRANJEVANJE KOSILNICE

- Iz kosilnice odstranite baterijski sklop in kosilnico shranite v hladnem, suhem in čistem prostoru. Ne shranjujte je v bližini korozivnih materialov, kot so gnojila ali kamena sol.
- Kosilnico shranite v pokrit in zaprt prostor, ki je hladen in suh ter izven dosega otrok.
- Kosilnice ne pokrivajte s plastično folijo. Plastična pokrivala ujamejo vlago okoli kosilnice, kar povzroči rjavenje in korozijo.
- Kosilnico lahko shranite v pokončnem ali ležečem položaju (slika Y).

⚠ OPOZORILO: Če se kosilnica obrne iz pokončnega položaja, lahko pride do poškodb kosilnice ali telesnih poškodb. Ko je kosilnica v pokončnem položaju, poskrbite, da bo stabilna in izven dosega otrok. Če je mogoče, jo shranjujte v ležečem položaju.

KEES VAN
TUINMACHINE

Varovanje okolja

Električne opreme, polnilnika baterij in baterij/baterij, ki jih je mogoče polniti, ne odvrzite med gospodinjske odpadke!

V skladu z evropskim zakonom 2012/19/EU glede električne in elektronske opreme, ki ni več uporabna, in v skladu z evropskim zakonom 2006/66/EC glede pokvarjenih ali izrabljenih baterijskih sklopov/baterij, je treba baterije zbrati ločeno.

Če električne naprave odvržete na smetišča, lahko nevarne snovi pronicajo v podtalnico in tako pridejo v prehranjevalno verigo, s čimer ogrozijo vaše zdravje in dobro počutje.

IZJAVA ES O SKLADNOSTI

DRUŽBA EGO EUROPE GMBH

Wahlwiesenstrasse 1, D-71711 Steinheim an der Murr
Deutschland

izjavlja, da je izdelek **56-voltna litij-ionska brezžična kosilnica LM2120E/LM2120E-SP** skladen z najpomembnejšimi zdravstvenimi in varnostnimi zahtevami sledečih direktiv:

2006/42/EC, 2014/30/EU, 2011/65/EU, 2000/14/EC

Upoštevani standardi in tehnične specifikacije:

EN 60335-1, EN 60335-2-77, EN 62233, EN 55014-1, EN 55014-2

	LM2120E	LM2120E-SP
Izmerjena raven zvočnega tlaka:	89,9 dB(A)	89,5 dB(A)
Zajamčena raven zvočnega tlaka:	92 dB(A)	92 dB(A)

Postopek ugotavljanja skladnosti dodatka VI je v skladu z 2000/14/EC.

Priglašeni organ: Soci t  Nationale de Certification et d'Homologation

Številka priglašenege organa: 0499

KEES VAN DER SPEK
TUINMACHINES * STOLWIJK

Peter Melrose
Generalni direktor družbe
EGO Europe GmbH

Dong Jianxun
Vodja kakovosti pri družbi
Chervon

* (Pooblaščen predstavnik družbe CHERVON in odgovorni za tehnično dokumentacijo.)

01/09/2016

SL

ODPRAVLJANJE TEŽAV

⚠ OPOZORILO: Pri servisiranju ali transportu kosilnice vedno odstranite varnostni ključ in baterijski sklop. Pri izvajanju vzdrževanja na rezilu kosilnice dlani vedno zaščitite z robustnimi rokavicami ali robove rezila ovijte s krpami ali drugim materialom.

TEŽAVA	VZROK	REŠITEV
Kosilnica se ne zažene.	<ul style="list-style-type: none"> ■ Baterijski sklop je izpraznjen. ■ Baterijski sklop ni nameščen na mesto v prostoru za baterije. ■ Baterija ali vezje kosilnice je prevroče. (Indikator napajanja na kosilnici bo 10 sekund svetil oranžno.) ■ Stranska ročaja nista iztegnjena do največje dolžine in sponke niso v zaklenjenem položaju. ■ Ročaj ni nastavljen v enega izmed dveh položajev za delovanje. ■ Pokrov kosilnice je zamašen s travo in delci. 	<ul style="list-style-type: none"> ■ Napolnite baterijski sklop. ■ Baterijski sklop pritrdite na kosilnico; Baterijski sklop potisnite navzdol, da zaslišite klik. ■ Baterijski sklop ali kosilnico ohladite do temperature, ki je nižja od 67 °C. ■ Popolnoma iztegnite ročaj in zaklenite obe sponki. ■ Ročaj nastavite v enega izmed obeh položajev za delovanje. ■ Očistite pokrov kosilnice in se prepričajte, da ima rezilo prostor za premikanje.
Kosilnica ne kosi enakomerno.	<ul style="list-style-type: none"> ■ Rezilo je topo. ■ Višina košnje ni pravilno nastavljena. ■ Rezilo ni pravilno nameščeno. 	<ul style="list-style-type: none"> ■ Naostrite ali zamenjajte rezilo. ■ Pokrov dvignite na višjo nastavev košnje. ■ Ponovno namestite rezilo, pri tem pa sledite navodilom v razdelku »NAMEŠČANJE REZILA« v tem priročniku.
Kosilnica se med košnjo ustavi.	<ul style="list-style-type: none"> ■ Baterijski sklop je izpraznjen. ■ Kosilnica je preobremenjena. ■ Pokrov kosilnice je zamašen s travo in delci. ■ Baterija ali vezje kosilnice je prevroče. (Indikator napajanja na kosilnici bo 10 sekund svetil oranžno.) ■ Stranski ročaj je nekoliko znižan zaradi potisne sile na ročaju. 	<ul style="list-style-type: none"> ■ Napolnite baterijski sklop. ■ Zvišajte višino košnje ali upočasnite košnjo. ■ Očistite pokrov kosilnice. Zvišajte višino košnje ali kosite ozko območje. ■ Baterijski sklop ali kosilnico ohladite do temperature, ki je nižja od 67 °C. ■ Odklenite sponke. Popolnoma iztegnite stranske ročaje in ponovno zaklenite sponke.

TEŽAVA	VZROK	REŠITEV
Kosilnica ne mulči pravilno.	<ul style="list-style-type: none"> ■ Drobcji mokre trave so se nalepili na spodnjo stran pokrova. ■ Kosilnica je nastavljena tako, da kosi preveč trave naenkrat. 	<ul style="list-style-type: none"> ■ Pred košenjem počakajte, da se trava posuši. ■ Pokrov dvignite na višjo nastavev košnje.
Prihaja do pretiranih vibracij.	<ul style="list-style-type: none"> ■ Rezilo je zrahljano. ■ Rezilo ni uravnovešeno. ■ Rezilo je upognjeno. ■ Gred motorja je upognjena. 	<ul style="list-style-type: none"> ■ Privijte vijak rezila. ■ Uravnovesite rezilo v skladu z navodili. ■ Zamenjajte rezilo. ■ Obrnite se na servisni center.
Sponk za zaklepanje ročajev ni mogoče zakleniti v položaj.	<ul style="list-style-type: none"> ■ Stranska ročaja nista popolnoma iztegnjena. 	<ul style="list-style-type: none"> ■ Popolnoma iztegnite stranske ročaje in zaklenite sponke.

GARANCIJA

GARANCIJSKA POLITIKA DRUŽBE EGO

Za popolne pogoje garancijske politike družbe EGO obiščite spletno stran egopowerplus.com.

KEEG VAN DER SPEK
TUINMACHINES ★ STOLWIJK

PERSKAITYKITE VISĄ INSTRUKCIJĄ!



PERSKAITYKITE NAUDOJIMO INSTRUKCIJĄ

⚠ Liekamoji rizika! Žmonėms, kuriems implantuoti elektroniniai prietaisai, pvz., širdies stimulatoriai, prieš pradėdami naudoti šį gaminį, reikia pasitarti su savo gydytoju (-ais). Arti širdies stimulatoriaus veikianti elektros įranga gali trikdyti širdies stimulatoriaus veikimą arba jį sugadinti.

⚠ ĮSPĖJIMAS. Norint užtikrinti saugų ir patikimą gaminio naudojimą, visus remonto ir keitimo darbus turi atlikti kvalifikuotas techninės priežiūros specialistas.

Numatytoji paskirtis ir galimas netinkamas naudojimas. Šis gaminys skirtas tik vejai pjauti namų soduose. Juo negalima pjauti neįprastai aukštos, sausos arba šlapios žolės, pvz., ganyklos pievos, arba smulkinti lapų. Šį gaminį reikia naudoti tik pagal nurodytą paskirtį. Naudojimas bet koku kitu tikslu laikomas netinkamu naudojimu.

SAUGOS SIMBOLIAI

Šių simbolių paskirtis – atkreipti dėmesį į galimus pavojus. Gerai susipažinkite su saugos simboliais bei jų paaikškinimais ir juos išdėmėkite. Simbolių įspėjimai patys savaime negali apsaugoti nuo pavojų. Jais žymimi nurodymai ir įspėjimai neatstoja tinkamų nelaimingų atsitikimų prevencijos priemonių.

⚠ ĮSPĖJIMAS. Prieš pradėdami naudoti šį gaminį, perskaitykite visus šioje naudojimo instrukcijoje pateiktus saugos nurodymus, taip pat susipažinkite su visais saugos įspėjamaisiais simboliais, tokiais kaip **PAVOJUS**, **ĮSPĖJIMAS** ir **PERSPĖJIMAS**, ir įsitinkite, ar juos supratote. Nesilaikant visų toliau išdėstytų nurodymų, galima patirti elektros smūgį, sukelti gaisrą ir (arba) sunkiai susižaloti.

SIMBOLIO REIKŠMĖ

SAUGOS ĮSPĖJAMASIS SIMBOLIS: nurodo **PAVOJŲ**, **ĮSPĖJIMĄ** arba **PERSPĖJIMĄ**. Gali būti panaudotas su kitais simboliais arba piktogramomis.

⚠ ĮSPĖJIMAS. Naudojant bet kokius elektrinius įrankius, į akis gali būti išsviesta svetimkūnių, kurie jas gali sunkiai sužaloti. Prieš pradėdami naudoti elektrinį įrankį, visada užsidėkite apsauginius akinius arba apsauginius akinius su šonine apsauga ir, jei reikia, visą veidą dengiantį skydelį. Rekomenduojame naudoti platų matymo lauką užtikrinančią apsauginę kaukę ant akių arba standartinius apsauginius akinius su šonine apsauga.

SAUGOS NURODYMAI

Šiame puslapyje pavaizduoti ir aprašyti saugos simboliai, kurių gali būti ant šio gaminio. Prieš bandydami surinkti ir naudoti įrenginį, perskaitykite visus ant jo pateiktus nurodymus, įsitinkite, ar juos supratote, ir jais vadovaukitės.

	Saugos įspėjimas	Atsargumo priemonės, skirtos užtikrinti jūsų saugumą.
	Užsidėkite akių apsaugos priemonę	Naudodami šį gaminį, visada užsidėkite apsauginius akinius arba apsauginius akinius su šonine apsauga ir visą veidą dengiantį skydelį.
	Perskaitykite naudojimo instrukciją	Kad sumažintų pavojų susižaloti, naudotojas turi perskaityti naudojimo instrukciją ir įsitikinti, ar ją suprato.
	Saugokitės aštrių peilių	Išjungus variklį, peiliai toliau sukasi – išimkite išjungimo įtaisą prieš atlikdami techninės priežiūros darbus. Išjunkite įrenginį ir išimkite išimamąjį akumuliatorių (arba išjungimo įtaisą) prieš reguliuodami arba valydami.
	Neleiskite artintis pašaliniams asmenims	Užtikrinkite, kad kiti žmonės ir augintiniai būtų ne mažesniu nei 30m atstumu nuo vejpapjovės, kai ji naudojama.
	II klasės konstrukcija	Dvigubai izoliuota konstrukcija.
IPX4	IP simbolis	4 klasės apsauga nuo vandens patekimo.
V	Voltas	Įtampa
A	Amperas	Srovė
Hz	Hercas	Dažnis (ciklai per sekundę)

W	Vatas	Galía
min	Minutės	Laikas
	Kintamoji elektros srovė	Srovės tipas
	Nuolatinė elektros srovė	Srovės tipas arba charakteristika
n_0	Sūčiai be apkrovos	Sukimosi greitis, kai nėra apkrovos
... /min	Per minutę	Apsisukimai per minutę

AKUMULIATORINEI VEJAPJOVEI TAIKOMOS SAUGOS TAISYKLĖS

⚠ PAVOJUS. Šis įrenginys pagamintas naudoti laikantis saugaus naudojimo taisyklių, aprašytų šioje instrukcijoje. Kaip ir naudojant kitokią elektros įrangą, operatoriaus neatsargumas arba klaida gali lemti sunkų susižalojimą. Šis įrenginys gali sužaloti rankas ir kojas, išsviesti daiktus. Nesilaikant visų saugos nurodymų, galima sunkiai arba mirtinai sužaloti.

⚠ IŠPĖJIMAS. Naudodami akumuliatorines vejapjoves, visada imkitės svarbiausių atsargumo priemonių, kad sumažintumėte gaisro, elektros smūgio ir susižalojimo pavojų.

SVARBU

ATIDŽIAI PERSKAITYKITE PRIEŠ NAUDODAMI. PASIDĖKITE, KAD PRIRIEKUS GALĖTUMĖTE PASIŽIURĖTI.

AKUMULIATORINĖMS VEJAPJOVĖMS TAIKOMOS SAUGOS TAISYKLĖS

PERSPĖJIMAS – NELIESKITE BESISUKANČIO PEILIO!

MOKYMAS

- Atidžiai perskaitykite instrukciją. Susipažinkite su valdikliais ir nurodymais, kaip tinkamai naudoti įrenginį.
- Įrenginio niekada neleiskite naudoti vaikams arba žmonėms, nesusipažinusiems su šia instrukcija. Vietiniai teisės aktai gali riboti operatoriaus amžių.
- Niekada nepjunkite vejos, kai netoliese yra žmonių, ypač vaikų, arba augintinių.
- Operatorius arba naudotojas atsako už nelaimingus atsitikimus ir pavojus, keliamus kitiems žmonėms ir jų nuosavybei.

PASIRUOŠIMAS

- Pjudami veją, visada avėkite tvirtą avalinę ir vilkėkite ilgas kelnes.

- Nenaudokite įrenginio būdami basi arba avėdami sandalus atviru priekiu. Stenkitės nevilkėti drabužių, kurie yra laisvi arba pas kuriuos yra kabančių raištelėlių.
- Atidžiai apžiūrėkite vietą, kurioje ketinate naudoti įrenginį, ir pašalinkite visus akmenis, pagaliukus, vielas, kaulus ir kitus pašalinius daiktus.
- Prieš naudodami, visada apžiūrėkite, ar peiliai, jų varžtai ir pjoviklio mazgas nėra susidėvėję arba pažeisti. Susidėvėjusius arba pažeistus peilius ir varžtus keiskite kaip rinkinį, kad išsaugotumėte balansą. Pakeiskite pažeistus arba nebeįskaitomus lipdukus.

NAUDOJIMAS

- Veją pjaukite tik dieną arba esant tinkamam dirbtiniam apšvietimui.
- Kai įmanoma, stenkitės nenaudoti įrenginio šlapioje žolėje.
- Visada tvirtai atsistokite nuožulniose vietose.
- Eikite ir niekada nebėkite.
- Naudodami rotacines vejapjoves su ratukais, veją visada pjaukite skersai nuožulnios vietos, o ne kildami aukštyn ir leisdami si žemyn.
- Būkite itin atsargūs, kai keičiate kryptį nuožulnioje vietoje.
- Nepjunkite vejos per didelio nuolydžio vietose.
- Būkite itin atsargūs, kai einate atbulomis arba traukiate įrenginį savęs link.
- Sustabdykite peilį (-ius), kai įrenginį reikia pakreipti, kad būtų galima perstumti per paviršų, kuriame nėra žolės, ir kai stumiate įrenginį į vietą, kurioje pjausite veją, arba iš jos.
- Niekada nenaudokite įrenginio, kai saugos priemonės ar skydeliai sugadinti arba kai saugos įtaisai, pvz., kreiptuvai ir (arba) žolės gaudyklės, neuždėti.
- Variklį įjunkite laikydami nurodymų ir patraukę kojas nuo peilio (-ių).
- Įjungdami variklį, nepakreipkite įrenginio, išskyrus atvejus, kai jį būtina pakreipti, kad būtų galima paleisti. Minėtoju atveju pakelkite tik tiek, kiek tikrai reikia, ir kelkite tik tą dalį, kuri yra priešingoje pusėje nei operatorius. Prieš nuleidžiant įrenginį ant žemės, abi rankos visada privalo būti darbinėje padėtyje.
- Nepaleiskite įrenginio, stovėdami priešais išmetimo angą.
- Nedėkite rankų ir kojų arti besisukančių dalių arba po jomis. Dirbant su rotacinėmis vejapjovėmis, reikia visada pasitraukti nuo išmetimo angos.
- Niekada nekelkite ir neneškite įrenginio, kai variklis veikia.
- Išjunkite įrenginį, išimkite išimamąjį akumuliatorių (arba išjungimo įtaisą) ir įsitinkite, ar visos judamosios dalys visiškai sustojo, prieš reguliuodami arba valydami:
 - palikdami įrenginį be priežiūros;

- prieš patraukdami kliūtį arba pašalindami kanale susidariusį kamštį;
- prieš tikrindami, valydami įrenginį arba dirbdami prie jo;
- kliudę pašalinį daiktą, patikrinkite, ar įrenginys nepažeistas, ir, jei reikia, sutaisykite.
- Jei įrenginys pradeda neįprastai vibruoti (patikrinkite nedelsdami):
 - patikrinkite, ar nėra pažeidimų;
 - pakeiskite arba sutaisykite visas pažeistas dalis;
 - patikrinkite, ar nėra atsilaisvinusių dalių, ir jas priveržkite.

TECHNINĖ PRIEŽIŪRA IR LAIKYMAS

- Reguluodami įrenginį, būkite atsargūs, kad pirštai neįstrigtų tarp sukamųjų peilių ir nejudamųjų įrenginio dalių.
- Priveržkite visas varžles, varžtus ir sraigtus, kad įrenginį būtų saugu naudoti.
- Dažnai tikrinkite, ar žolės gaudyklė nesusidėvėjusi ir nepradėjusi irti.
- Pakeiskite susidėvėjusias arba pažeistas dalis, kad užtikrintumėte saugumą.
- Vaikams be suaugusiųjų priežiūros draudžiama valyti įrenginį ir atlikti techninę priežiūrą.
- Atlikdami peilių techninės priežiūros darbus, atminti, kad peiliai gali pasisukti net ir išjungus maitinimo šaltinį.
- Naudojami rotacinės vejjapjovės, užtikrinkite, kad pjaunamosios dalys būtų keičiamos tik tinkamo tipo atsarginėmis dalimis.

ASMENINĖ SAUGA

Jei operatorius nebus budrus, kai netoliese yra vaikų, gali įvykti tragiška nelaimė. Vaikus dažnai traukia vejjapjovės ir vejos pjovimas. Tačiau jie nesuvokia gresiančių pavojų. Niekada nemanykite, kad vaikai liks ten, kur juos pastarąjį kartą matėte.

- Liepkite vaikams pasitraukti iš vietos, kurioje pjaunama veja, ir pasirūpinkite, kad juos akylai prižiūrėtų atsakingas suaugusysis, kuris nėra operatorius.
- Būkite budrus ir išjunkite vejjapjovę, jei į vietą, kurioje dirbate, atėjo vaiku.
- Būkite itin atsargūs, kai artėjate prie kampu, už kurių nieko nematyti, priedurių, krūmų, medžių arba kitų objektų, galinčių užstoti vaiką, bėgantį vejjapjovės link.
- Vaikus reikia prižiūrėti ir neleisti jiems žaisti su vejjapjove.
- Visada išjunkite vejjapjovę, kai išimate akumuliatorių iš įrenginio. Sustabdykite peilį (-ius), kai įrenginį reikia pakreipti, kad būtų galima perstumti per paviršius, kuriame nėra žolės, ir kai stumiate įrenginį į vietą, kurioje pjausite veja, arba iš jos.

NAUDOJIMAS

BENDRIEJI NAUDOJIMO NURODYMAI

- Prieš bandydami surinkti šį įrenginį, atidžiai perskaitykite visą šią naudojimo instrukciją. Prieš naudodami įrenginį, perskaitykite visus ant jo ir instrukcijoje pateiktus nurodymus, įsitikinkite, ar juos supratote, ir jais vadovaukitės. Prieš naudodami įrenginį, išsamiai susipažinkite su valdikiiais ir nurodymais, kaip tinkamai naudoti įrenginį. Šią instrukciją laikykite saugioje vietoje, kad prireikus galėtumėte pasižiūrėti arba užsisakyti atsarginių dalių.
- Naudokite tinkamą įrenginį – nenaudokite vejjapjovės jokiems darbams, išskyrus numatyjaitį.
- Nepraraskite pusiausvyros – visada tvirtai stovėkite ant kojų ir išlaikykite pusiausvyrą.
- Vejjapjovės kliudyti objektai gali sunkiai sužaloti žmones. Prieš pjaunant veja, kaskart reikia atidžiai ją apžiūrėti ir pašalinti visus pašalinius daiktus.
- Prieš eidami ir eidami atbulomis, pasižiūrėkite, ar už jūsų nėra mažų vaikų arba kitų žmonių.
- Šis įrenginys – ne žaislas. Todėl visada būkite itin atsargūs. Įrenginys suprojektuotas vienam darbiui – pjauti vejai. Nenaudokite jokiais kitais tikslais.
- Nestumkite vejjapjovės per jėgą – judėdama numatytoju greičiu, ji pjauna veiksmingiau ir saugiau.
- Prieš naudodami, visada apžiūrėkite, ar peiliai, jų varžtai ir pjoviklio mazgas nėra susidėvėję arba pažeisti. Susidėvėjusius arba pažeistus peilius, varžtus ir kitus komponentus keiskite tuo pat metu, kad išsaugotumėte balansą. Pakeiskite pažeistus arba nebeįskaitomus lipdukus.
- Būkite itin atsargūs, kai einate atbulomis arba traukiate įrenginį savęs link.
- Atidžiai apžiūrėkite vietą, kurioje ketinate naudoti įrenginį. Pašalinkite visus akmenis, pagaliukus, vielas, žaislus ir kitus pašalinius daiktus, už kurių galima užkliūti arba kuriuos gali kliudyti ir išsviesti peilis. Išsviesti daiktai gali sunkiai sužaloti. Vejos pjovimo eigą suplanuokite taip, kad nupjauta žolė nebūtų išmetama kelio, šaligatvio, pašalinčių asmenų ir panašių vietų link. Taip pat stenkitės užtikrinti, kad nupjauta žolė nebūtų išmetama į sienas arba kitas kliūtis, nuo kurių ji galėtų atšokti atgal į operatorių.
- Kad nepaliesumėte peilio ir išvengtumėte sužalojimų dėl išsviestų objektų, būkite operatorių skirtoje srityje už rankenų ir užtikrinkite, kad vaikai, pašaliniai asmenys, pagalbinkai ir augintiniai būtų bent 30m atstumu nuo vejjapjovės, kai ji veikia. Išjunkite įrenginį, jei kas nors atėjo į vietą, kurioje dirbate.
- Visada užsidėkite apsauginius akinius, kai dirbate, reguliuojate arba remontuojate, kad apsaugotumėte akis. Išsviesti ir atšokę daiktai gali sunkiai sužaloti akis. Jei dirbant kyla daug dulkių, visada užsidėkite kaukę arba respiratorių.

- Tinkamai apsirenkite – nedėvėkite laisvų drabužių ir nenešokite laisvai kabančių papuošalų. Judamosios dalys gali juos įtraukti. Dirbant lauke rekomenduojama mėvėti gumines pirštines ir avėti gumingą avalynę. Avėkite tvirtus darbinis batus grublėtu padu ir vilkėkite glaudžiai priglundusias kelnes bei marškinius. Rekomenduojama vilkėti rankas ir kojas uždengiančius marškinius bei kelnes ir avėti batus su plienine nosele. Niekada nenaudokite šio įrenginio, būdami basi, avėdami sandalus, slidžius arba lengvus (pvz., medžiaginius) batus.
- Nedėkite rankų ir kojų arti besisukančių dalių arba po pjovimo platforma. Palietus peilį, galima susižaloti rankas arba kojas.
- Jei išmetimo angos gaubtas neuždėtas arba pažeistas, galima paliesti peilį arba patirti sužalojimą dėl išsviestų daiktų.
- Daug sužalojimų patiriama, kai paslydus arba užkliuvus nugriūnama, o vejojė patraukiama ant kojos. Nelaikykite vejojė, kai krentate – nedelsdami paleiskite rankena.
- Niekada netraukite vejojė atgal (savęs link), kai einate. Jei reikia atitraukti vejojė nuo sienos arba kliūtis, pirmiausia pažiūrėkite už savęs, kad neužkliūtumėte, ir atlikite šiuos veiksmus:
 - atsitraukite nuo vejojė, kad rankos būtų visiškai ištiesios;
 - įsitikinkite, ar išlaikote pusiausvyrą ir tvirtai stovite;
 - iš lėto patraukite vejojė atgal, ne daugiau nei pusę jus skiriančio atstumo;
 - jei reikia, kartokite šiuos veiksmus.
- Nedirbkite su vejojė, jei esate apsvaigę nuo alkoholio arba vaistų.
- Niekada nenaudokite įrenginio, kai saugos priemonės ar skydeliai sugadinti arba kai saugos įtaisai, pvz., kreiptuvai ir (arba) žolės gaudyklės, neuždėti.
- Būkite budrūs – stebėkite, ką darote. Vadovaukitės sveika nuovoka. Nedirbkite su vejojė, kai esate pavargę.
- Variklio / peilio valdymo rankena yra saugos įtaisas. Niekada nebandykite pakeisti jos veikimo. Kitaip saugos įtaisas neatliks savo funkcijos, todėl kils pavojus susižaloti palietus besisukančių peilį. Variklio / peilio valdymo rankena turi būti lengvai pakreipiama į abi puses, o atleista – automatiškai grįžti į išjungimo padėtį.
- Venkite pavojingos aplinkos – nenaudokite vejojė drėgnose arba šlapiose vietose.
- Nenaudokite lyjant lietu.
- Visada tvirtai atsistokite. Paslydus arba nugriuvus, galima sunkiai susižaloti. Jei pajutote, kad prarandate pusiausvyrą, nedelsdami paleiskite variklio / peilio valdymo rankeną – peilis nustos sukintis per tris sekundes.

- Sustabdykite peilį, kai stumiate per žvyruotus įvažiavimus, takelius arba kelius.
- Jei įrenginys pradeda neįprastai vibruoti, nedelsdami išjunkite variklį ir nustatykite priežastį. Vibracija paprastai įspėja apie problemą.
 - Patikrinkite, ar nėra pažeidimų.
 - Pakeiskite arba sutaisykite visas pažeistas dalis, kurias leidžiama keisti naudotojui.
 - Patikrinkite, ar nėra atsilaisvusių dalių, ir jas priveržkite.
- Niekada nedirbkite su vejojė, kai neuždėtas arba neveikia tinkamas galinis skydelis, išmetimo angos gaubtas, žolės maišas, mulčiavimo įdėklas, šoninis išmetimo kanalas, variklio / peilio valdymo rankena ar kiti saugos įtaisai. Niekada nedirbkite su vejojė, kai saugos įtaimai sugadinti. Kitaip galite susižaloti.
- Susidarius šioje instrukcijoje neaprašyti situacijai, būkite atsargūs ir vadovaukitės sveika nuovoka. Pagalbos kreipkitės į EGO klientų aptarnavimo tarnybą.
- Naudokite tik toliau nurodytus akumulatorius ir įkroviklius.

AKUMULATORIUS	ĮKROVIKLIS
BA1120E, BA2240E, BA2800, BA3360, BA4200	CH5500E, CH2100E

- Prieš atiduodant įrenginį į metalo laužą, būtina išimti akumulatorių.
- Akumulatorių reikia išmesti saugiai.

NAUDOJIMAS NUOŽULNIOJE VIETOJE

Nuožulnios vietos yra pagrindinis veiksnys, susijęs su nelaimingais atsitikimais, kurių metu paslystama ir nugriūnama. Šiose vietose galima sunkiai susižaloti. Visada tvirtai atsistokite nuožulniose vietose. Dirbant nuožulniose vietose, reikia būti itin atsargiems. Jei nuožulnioje vietoje negalite laisvai stovėti, vejos joje nepjaukite.

Nurodymai, ką galima daryti

- Veją visada pjaukite skersai nuožulnios vietos, o ne kildami aukštyn ir leisdamiesi žemyn. Būkite itin atsargūs, kai keičiate kryptį nuožulnioje vietoje.
- Stebėkite, ar nėra duobių, provėžų, akmenų, sunkiai pastebimų daiktų arba nelygumų, ant kurių galite paslysti arba už kurių galite užkliūti. Aukšta žolė gali slėpti kliūtis.

Nurodymai, ko negalima daryti

- Nepjaukite vejos arti skardžių, griovių arba pylimų, nes galite paslysti ir netekti pusiausvyros.
- Nepjaukite vejos nuožulnioje vietoje, kurios nuolydis didesnis nei 15 laipsnių.

- Nepajaukite šlapios žolės. Nestabiliiai stovėdami galite paslysti.

TECHNINĖ PRIEŽIŪRA

▲ ĮSPĖJIMAS. Žolės maišo komponentai, išmetimo angos gaubtas, šoninis išmetimo kanalas, mulčiavimo įdėklas ir galinis skydelis gali susidėvėti bei būti pažeisti. Taip nutikus, gali būti neuždengtos judamosios dalys arba neapsaugoma nuo išsviestų daiktų, todėl gali padidėti pavojus susižaloti. Norėdami užtikrinti saugumą, dažnai patikrinkite visus komponentus, o pažeistus komponentus pakeiskite identiškomis atsarginėmis dalimis, nurodytomis šioje instrukcijoje. Kreipkitės į EGO klientų aptarnavimo tarnybą arba artimiausią EGO techninės priežiūros centrą, nes remonto arba keitimo darbus turi atlikti kvalifikuotas techninės priežiūros specialistas!

- Jei vejapjovės įtaisytasis apsaugos nuo perkrovos jungiklis dažnai suveikia, kreipkitės į EGO klientų aptarnavimo tarnybą arba artimiausią EGO techninės priežiūros centrą.
- Neplaukite vejapjovės su vandens žarna. Saugokite, kad vandens nepatektų ant variklio ir elektros jungčių.
- Kai vejapjovės nenaudojate, ištraukite raktelį ir laikykite vejapjovę patalpoje. Prieš palikdami vejapjovę bet kokiame uždaroje vietoje, palaukite, kol variklis atvės. Vejapjovę reikia laikyti sausoje, aukštai esančioje arba rakinamoje, vaikams nepasiekiamoje vietoje.
- Atlikdami techninės priežiūros darbus, naudokite tik identišką atsarginę dalis, nurodytas šioje instrukcijoje. Naudojant dalis, kurios neatitinka originalios įrangos specifikacijos, vejapjovė gali netinkamai veikti ir tapti nesaugi.
- Prieš atlikdami techninės priežiūros darbus, valydami arba šalinami medžiagas iš vejapjovės, išimkite arba atjunkite akumuliatorių.
- Laikykites nurodymų dėl priedų keitimo.
- Pasirūpinkite, kad rankenos būtų sausos, švarios ir nesuteptos alyva arba tepalu.
- Norėdami sumažinti gaisro pavojų, pasirūpinkite, kad ant variklio gaubto neprisikaupytų žolės, lapų arba apnašų.
- Dažnai patikrinkite, ar peilio ir variklio tvirtinimo varžtai tinkamai priveržti. Taip pat, apžiūrėkite, ar peilis nepažeistas (pvz., neįlenktas, neįtrūkęs ir nesusiđėvėjęs). Peilį pakeiskite tik identišką atsarginiu peiliu, nurodytu šioje instrukcijoje.
- Vejapjovės techninės priežiūros darbus atlikite atsargiai – vejapjovės peilis turi būti aštrus ir švarus, kad vejapjovė efektyviai ir saugiai pjautų. Vejapjovės peiliai yra aštrūs ir gali įpjauti. Kai atliekate peilio techninės priežiūros darbus, apvyniokite peilį arba mūvėkite pirštines ir būkite labai atsargūs.

- Niekada nenuimkite ir nemodifikuokite saugos įtaisų. Reguliariai patikrinkite, ar jie tinkamai veikia. Niekada nedarykite nieko, kas trukdytų saugos įtaisui atlikti numatytąją funkciją arba sumažintų saugos įtaiso suteikiamą apsaugą.
- Visada išjunkite variklį prieš reguliuodami ratą arba pjovimo aukštį.
- Jei kliudėte pašalinį daiktą, išjunkite variklį, ištraukite raktelį ir atidžiai apžiūrėkite, ar vejapjovė nepažeista. Sutaisykite pažeidimus prieš naudodami vejapjovę.
- Prireikus sutvarkykite arba pakeiskite saugos ir nurodymų lipdukus. Kreipkitės į EGO klientų aptarnavimo tarnybą arba artimiausią EGO techninės priežiūros centrą, nes remonto arba keitimo darbus turi atlikti kvalifikuotas techninės priežiūros specialistas!
- **IŠSAUGOKITE ŠIĄ INSTRUKCIJĄ.** Dažnai ją pavartykite ir naudokitės ja mokydami kitus asmenis, kurie gali naudoti šį įrenginį. Jei šį įrenginį kam nors skolinatė, taip pat paskolininkite šią instrukciją, kad kitas asmuo tinkamai naudotų šį gaminį ir nesusižalotų.

AKUMULIATORIAUS NAUDOJIMAS IR PRIEŽIŪRA

- Akumuliatorių atiduokite perdirbti arba tinkamai išmeskite, kad tausotumėte gamtinius išteklius. Šiame gaminyje naudojamas ličio jonų akumuliatorius. Vietiniai ir šalies įstatymai ličio jonų akumuliatorių draudžia išmesti su įprastomis šukšlėmis. Dėl galimų perdirbimo ir (arba) šalinimo būdų pasitarkite su vietine atliekų tvarkymo institucija.
- Prieš išmesdami arba atiduodami perdirbti išimtą akumuliatorių, apvyniokite jo gnybtus su tvirta lipnia juosta. Neardykite ir nelaužykite akumuliatoriaus, neišimkite jokių jo komponentų. Ličio jonų akumuliatorius reikia atiduoti perdirbti arba tinkamai išmesti. Be to, nepalieskite gnybtų metaliniais daiktais ir (arba) kūno vieta, nes gali įvykti trumpasis jungimas. Saugokite nuo vaikų. Nesilaikant šių įspėjimų, galima sukelti gaisrą ir (arba) sunkiai susižaloti.
- **DĖL NETINKAMŲ SĄLYGŲ IŠ AKUMULIATORIAUS GALI IŠTEKĖTI SKYSTIS – NELIESKITE JO. JEI NETYČIA PALIETĖTE, NUPLAUKITE VANDENIU. JEI SKYSCIO PATEKO Į AKIS, NUPLAUKITE IR KREIPKITĖS MEDICININĖS PAGALBOS.** Iš akumuliatoriaus ištekėjęs skystis gali dirginti arba nudeginti.

SPECIFIKACIJA

Modelio numeris	LM2120E	LM2120E-SP	
Savaeigio važiavimo sistema	Ne	Taip	
Įtampa	56 V	56 V	
Sūkiai be apkrovos	2800 /min	2800 /min	
Pjovimo aukštis	28-94 mm	28-94 mm	
Pjovimo aukščio padėtys	6	6	
Pjovimo platformos dydis	53 cm	53 cm	
Pjovimo plotis	52 cm	52 cm	
Žolės maišo tūris	70 L	70 L	
Vejaplovės svoris (be akumulatoriaus)	22,10 kg	24,55 kg	
Peilio modelis	AB2101	AB2101	
Išmatuotas garso galios lygis L_{WA} K=2 dB(A)	89,9 dB(A)	89,5 dB(A)	
Garso slėgio lygis ties operatoriaus ausimi L_{PA} K=3 dB(A)	87 dB(A)	87 dB(A)	
Garantuojamas garso galios lygis L_{WA} (pagal 2000/14/EB)	92 dB(A)	92 dB(A)	
Vibracija a_n K=1,5 m/s ²	Kairioji rankena	≤ 2,5 m/s ²	≤ 2,5 m/s ²
	Dešinioji rankena	≤ 2,5 m/s ²	≤ 2,5 m/s ²
Peilio stabdys	Taip	Taip	

- Nurodyta bendroji vibracijos vertė išmatuota taikant standartinį bandymo metodą, todėl pagal ją galima palyginti skirtingus įrenginius.
- Nurodytą bendrąją vibracijos vertę taip pat galima naudoti pirminiam poveikio vertinimui.

PASTABA. Naudojant įrankį realiomis sąlygomis, skleidžiamos vibracijos stiprumo vertė gali skirtis nuo nurodytos. Kad apsisaugotų dirbdamas realiomis sąlygomis, naudotojas turi mūvėti pirštines ir naudoti ausų apsaugos priemones.

PAKUOTĖS TURINIO SĄRAŠAS

DALIES PAVADINIMAS	SKAIČIUS
Vejaplovė	1
Žolės maišas	1
Žolės maišo rėmas	1
Mulčiavimo įdėklas	1
Saugos raktelis	2
Naudojimo instrukcija	1

APRAŠAS

PAŽINKITE VEJAPLOVĘ (A, B ir C pav.)

1. Saugos mygtukas
2. Savaeigio važiavimo jungiklis
3. Rankenos užfiksavimo apkaba
4. Galinės išmetimo angos dangtis
5. Galinė rankena
6. Akumulatoriaus dangtis
7. Šviesiodiodiniai priekiniai žibintai
8. Priekinė rankena
9. Priekinis ratas
10. Pjovimo aukščio reguliavimo svirtis
11. Vejaplovės pjovimo platforma
12. Galinis ratas
13. Žolės maišas
14. Greitojo reguliavimo svirtis
15. Šoninis strypas
16. Savaeigio važiavimo greičio reguliavimo svirtis
17. Lankelis-jungiklis (jungiklio svirtis)
18. Rankena
19. Mulčiavimo įdėklas
20. Atrama, leidžianti pastatyti statmenai
21. Galinis skydelis
22. Šviesiodiodinių priekinių žibintų mygtukas
23. Maitinimo indikatorius

NAUDOJIMAS

ŽOLĖS MAIŠO SURINKIMAS

- 1) Užmaukite žolės maišą ant rėmo (D pav.).
- 2) Uždėkite viršutinius spaustukus ant rėmo (E pav.), tada uždėkite du šoninius spaustukus. Galiausiai uždėkite apatinį spaustuką.
- 3) Visiškai surinktas žolės maišas parodytas F pav.

PASTABA. Įprastai naudojant, maišo medžiaga dėvisi. Norėdami sumažinti pavojų susižaloti, dažnai patikrinkite maišo mazgą ir pakeiskite jį, jei atsirado susidėvėjimo arba suirimo požymių. Naudokite tik šiai veėjaplovei pagamintus žolės maišus.

NULENKIAMOSIOS RANKENOS REGULIAVIMAS

▲ ĮSPĖJIMAS. Nebandykite paleisti veėjaplovės, kol rankena neužfiksuota vienoje iš trijų numatytųjų darbinųjų padėčių (VIRŠUTINĖJE DARBINĖJE PADĖTYJE, VIDURINĖJE DARBINĖJE PADĖTYJE arba APATINĖJE DARBINĖJE PADĖTYJE).

Veėjaplovė pristatoma rankeną nustačius į kompaktišką UŽFIKSUOTĄ LAIKYMO PADĖTĮ (G pav.).

- 1) Paspauskite ir laikykite paspaudę greitojo reguliavimo svirtį, kad atlaisvintumėte rankeną iš UŽFIKSUOTOS LAIKYMO PADĖTIES (H-1 pav.).
- 2) Pakelkite rankeną iš nulenktos padėties, tada atleiskite svirtį. Atsargiai kelkite rankeną aukšty n tol, kol išgirsite ir pajusite, kaip fiksavimo kaišis užsifiksuoja vienoje iš galimų padėčių, parodytų H pav.

- ŽOLĖS MAIŠO PRITVIRTINIMO / NUĖMIMO PADĖTIS (H-2 pav.).
- VIRŠUTINĖ DARBINĖ PADĖTIS (H-3 pav.).
- VIDURINĖ DARBINĖ PADĖTIS (H-4 pav.).
- APATINĖ DARBINĖ PADĖTIS (H-4 pav.).

ŽOLĖS MAIŠO / MULČIAVIMO ĮDĖKLŲ PRITVIRTINIMAS / NUĖMIMAS

▲ ĮSPĖJIMAS. Niekada nereguliuokite jokių veėjaplovės dalių, pirmiau neišjungę variklio, neištraukę saugos raktelio ir nepalaukę, kol peilis nustos sukintis.

PASTABA. Reikiamus priedus prie veėjaplovės pritvirtinkite prieš įjaudami veją.

- Žolės maišo pritvirtinimas / nuėmimas (I pav.)

PASTABA. Prieš pritvirtindami žolės maišą prie veėjaplovės, nuimkite veėjaplovėje iš anksto sumontuotą mulčiavimo įdėklą.

- Mulčiavimo įdėklo pritvirtinimas / nuėmimas (J pav.)

PJOVIMO AUKŠČIO REGULIAVIMAS (K pav.)

▲ ĮSPĖJIMAS. Kai reguliuojate pjovimo platformos aukštį, patraukite kojas nuo jos. Veėjaplovėje galima nustatyti 5 pjovimo aukščius nuo 28 mm iki 94 mm. Parinkite tinkamą pjovimo aukštį, atsižvelgdami į žolės tipą ir būklę.

PASTABA. Kai stumiate įrenginį į kitą vietą, užtikrinkite, kad būtų nustatyta 3 arba aukštesnė pjovimo aukščio padėtis. Kitaip galite pažeisti peilį.

AKUMULIATORIAUS ĮDĖJIMAS / IŠĖJIMAS (L pav.)

Prieš naudodami pirmą kartą, įkraukite.

▲ ĮSPĖJIMAS. Jei kurios nors dalys lūžusios arba jų nėra, nebandykite įdėti akumuliatoriaus į veėjaplovę arba naudoti veėjaplovės tol, kol lūžusios arba trūkstamos dalys nebus pakeistos. Kitaip galite sunkiai susižaloti.

- Įdėjimas
Stumkite akumuliatorių į akumuliatoriaus skyrių tol, kol išgirsite spragtelėjimą.
- Išėmimas
Paspauskite akumuliatoriaus atlaisvinimo mygtuką, esantį akumuliatoriaus skyriuje.
Toliau pateiktas L pav. parodytų dalių aprašas.

L-1	Saugos raktelio liuzdas
L-2	Saugos raktelis
L-3	Akumuliatoriaus atlaisvinimo mygtukas

PASTABA. Prieš pradėdami dirbti, įsitikinkite, ar veėjaplovėje esantis fiksatorius užsifiksavo ir akumuliatorius pritvirtintas prie veėjaplovės.

VEJAPLOVĖS PALEIDIMAS / IŠJUNGIMAS

▲ ĮSPĖJIMAS. Dirbant su bet kokia veėjaplove, į jūsų arba kitų asmenų akis gali būti išsviesta svetimkūnių, kurie jas gali sunkiai sužaloti. Visada užsidėkite apsauginius akinčius, kai dirbate su veėjaplove, ją reguliuojate arba remontuojate.

▲ ĮSPĖJIMAS. Nedirbkite su veėjaplove lyjant lietu.

▲ ĮSPĖJIMAS. Užtikrinkite, kad kiti žmonės ir augintiniai būtų ne mažesniu nei 30m atstumu nuo veėjaplovės, kai ji naudojama.

▲ ĮSPĖJIMAS. Išjungus veėjaplovę, peilis dar kelias sekundes sukasi. Prieš dar kartą ją paleisdami, palaukite, kol variklis / peilis nustos sukintis. Išjungę nebandykite iš karto įjungti veėjaplovės.

PASTABA. Variklį galima paleisti tik išpildžius toliau nurodytas sąlygas.

- Rankena užfiksuota vienoje iš darbinųjų padėčių.
- Šoniniai strypai visiškai ištraukti (M pav.).
- Abi žalios rankenos užfiksavimo apkabos patikimai uždarytos (N pav.).

⚠ PERSPĖJIMAS. Nebandykite pakeisti saugos mygtuko ir lankelio-jungiklio veikimo.

Paleidimas (P pav.)

- 1) Įdėkite akumuliatorių į vejaplovę, įkiškite saugos raktelį į raktelio lizdą ir uždarykite akumulatoriaus dangtį (L pav.).
- 2) Kaip parodyta O pav., paspauskite saugos mygtuką.
- 3) Laikydami saugos mygtuką paspausta, patraukite lankelį-jungiklį aukštyn, kad priglustų prie rankenos, ir atleiskite saugos mygtuką.

Išjungimas (Q pav.)

- 1) Atleiskite lankelį-jungiklį.
- 2) Atleisus lankelį-jungiklį, automatiniai stabdymo mechanizme esantis elektrinis stabdys per 3 sekundes sustabdo peilio sukimąsi.

REGULIUOJAMOJO GREIČIO SAVAEIGIO VAŽIAVIMO SISTEMA

LM2120E-SP vejaplovėje įdiegta reguliuojamojo greičio savaeigio važiavimo funkcija. Ši sistema nepriklauso nuo peilio įjungimo / išjungimo jungiklio; ji nepriklauso nuo peilio sukimosi.

Jei norite įjungti sistemą neįjungdami peilio sukimosi, patraukite savaeigio važiavimo jungiklį prie rankenos.

Jei norite išjungti savaeigį važiavimą, atleiskite savaeigio važiavimo jungiklį.

Sistemos greitį galima reguliuoti. Jei greitį norite padidinti, savaeigio važiavimo greičio reguliavimo svirtį pakreipkite pirmyn. Jei greitį norite sumažinti, savaeigio važiavimo greičio reguliavimo svirtį pakreipkite atgal (R pav.).

Naudojimas įjungus peilio sukimąsi vejai pjauti

1. Paleiskite vejaplovę.
2. Kairiąją ranką laikydami lankelį-jungiklį priglaustą prie rankenos, dešiniąją ranką patraukite savaeigio važiavimo jungiklį prie rankenos.
3. Dešiniąją ranką laikykite lankelį-jungiklį ir savaeigio važiavimo jungiklį priglaustus prie rankenos, o kairiąją ranką pakreipkite savaeigio važiavimo greičio reguliavimo svirtį, kad nustatytumėte reikiamą greitį.

Pastaba. Aplink kai kuriuos objektus, pvz., medžius arba augalus, veją paprasčiau pjauti išjungus savaeigį važiavimą.

⚠ IŠPĖJIMAS. Kad sumažintumėte pavojų susižaloti, niekada nebandykite pakeisti jungiklio arba savaeigio važiavimo sistemos veikimo. Savaeigio važiavimo funkciją naudokite tik pagal numatytąją paskirtį.

VEJAPLOVĖS ŠVIESDIODINIAI DARBINIAI ŽIBINTAI (A-7 pav.)

Norėdami įjungti / išjungti šviesdiodinius darbinius žibintus, įtaisytus akumulatoriaus skyriaus priekyje, paspauskite mygtuką (C-22 pav.).

MAITINIMO INDIKATORIUS VEJAPLOVĖJE (S pav.)

Vejaplovėje įtaisytas maitinimo indikatorius, kuris rodo akumulatoriaus įkrovos būseną ir vejaplovės darbinę būseną. Maitinimo indikatorius dega, kai sukasi peilis arba kai įjungiami šviesdiodiniai darbiniai žibintai.

Maitinimo indikatorius vejaplovėje	Reikšmė	Veiksmas
Dega žalia spalva	Vejaplovė tinkamai veikia, akumulatoriaus įkrovos lygis ne mažesnis nei 15%	Nėra
Dega raudona spalva	Akumulatorius beveik išsekęs	Išjunkite vejaplovę ir įkraukite akumuliatorių
Mirksi raudona spalva	Akumulatorius beveik visiškai išsekęs	Išjunkite vejaplovę ir įkraukite akumuliatorių
Dega oranžinė spalva	Vejaplovė arba akumulatorius perkaito	Išimkite akumuliatorių iš vejaplovės, patraukite akumuliatorių bei vejaplovę į šešėlį ir palikite bent 15 minučių, kad atvėstų
Mirksi oranžinė spalva	Vejaplovė perkrauta	Lėčiau pjaukite arba padidinkite pjovimo aukštį, kad sumažintumėte apkrovą

VEJAPLOVĖS APSAUGA NUO PERKROVOS

Kad išvengtumėte perkrovos, nebandykite iš karto nupjauti pemelyg daug žolės. Lėčiau pjaukite arba padidinkite pjovimo aukštį.

Vejaplovėje įtaisyta apsaugos nuo perkrovos grandinė. Kai vejaplovė perkrauta, variklis išjungiamas, o vejaplovėje esantis maitinimo indikatorius mirksi oranžine spalva. Išimkite akumuliatorių iš vejaplovės. Patikrinkite, ar po pjovimo platforma neprisikaupė žolės, jei reikia, nuvalykite. Tada įdėkite akumuliatorių ir iš naujo paleiskite vejaplovę.

APSAUGA NUO PER AUKŠTOS AKUMULATORIAUS TEMPERATŪROS

Dirbant akumulatorius kaista. Kai oras karštas, šiluma išsisklaido lėčiau. Jei dirbant akumulatoriaus temperatūra viršija 70 °C, apsaugos grandinė nedelsdama išjungia vejąpovę, kad apsaugotų akumuliatorių nuo pažeidimo. Vejąpovėje esantis maitinimo indikatorius dega oranžine spalva. Atleiskite lankeļ-jungiklį, palaukite, kol akumulatorius atvės maždaug iki 67 °C, tada paleiskite vejąpovę iš naujo.

TECHINĖ PRIEŽIŪRA

▲ SPĒJIMAS. Visada ištraukite saugos raktelį iš vejąpovės prieš ją valydami, prieš atlikdami jos techninės priežiūros darbus ir prieš transportuodami vejąpovę, kad išvengtumėte pavojaus sunkiai susižaloti.

▲ SPĒJIMAS. Atlikdami techninės priežiūros darbus, naudokite tik identiškas atsargines dalis. Naudojant bet kokias kitas dalis, gali kilti pavojus arba sugesti gaminys. Norint užtikrinti saugų ir patikimą gaminio naudojimą, visus remonto ir keitimo darbus turi atlikti kvalifikuotas techninės priežiūros specialistas.

VEJAPJOVĒS VALYMAS

Kaskart panaudojus vejąpovę, reikia nuvalyti pjovimo platformos apačią, nes joje kaupiasi nupjauta žolė, lapai, nešvarumai ir kitos apnašos.

Pašalinkite ant pavaros veleno (tik LM2120E-SP) arba aplink jį ir ant variklio ventiliatoriaus susikaupusią žolę bei lapus (nenaudokite vandens). Drėgna šluoste švariai nuvalykite vejąpovę.

PEILIO NUĒMIMAS / UŽDĒJIMAS

▲ SPĒJIMAS. Kai atliekate vejąpovės peilio techninės priežiūros darbus, visada apsaugokite rankas, užsimaudami tvirtas pirštines arba apvyniodami ašmenis su skudurais arba kitomis medžiagomis. Visada išimkite akumuliatorių, kai atliekate vejąpovės techninės priežiūros darbus arba ją transportuojate.

■ **Peilio nuėmimas**
Kaip parodyta T pav.

■ **PASTABA.** Jei atlaisvinant varžtą kartu sukasi ir variklio velenas, ranka pasukite ventiliatorių, kad ventiliatoriaus skylės susilygiuotų su peilio skylėmis, tada įkiškite metalinį strypelį į sulygiuotas skylės (U pav.).

■ **Peilio uždėjimas**
Laikykitės surinkimo sekos, parodytos V pav. Ventiliatoriaus mentes atkreipę į pjovimo platformą, o peilio pusę su užrašu atkreipę išorėn, sulygiuokite ventiliatoriaus skylės su peilio skylėmis (W pav.) ir priveržkite peilį, kaip parodyta X pav.

Toliau pateiktas U ir V pav. parodytų dalių aprašas.

U-1	1-as stabilizatorius	V-2	Vidinė jungė
U-2	2-as stabilizatorius	V-3	Peilis
U-3	14 mm varžliaraktis	V-4	Išorinė jungė
V-1	Ventiliatorius	V-5	Varžtas

PASTABA. Rekomenduojamas peilio varžto priveržimo sukimo momentas 49–59Nm.

VEJAPJOVĒS LAIKYMAS

- Išimkite akumuliatorių iš vejąpovės ir laikykite jį vėsioje, sausoje ir švarioje vietoje. Nelaikykite jo šalia ėdančiųjų medžiagų, pvz., trašų arba akmens druskos.
- Vejąpovę laikykite uždengtoje, uždaroje vietoje, kuri yra vėsi, sausa ir nepasiekiamą vaikams.
- Neuždenkite vejąpovės su vientisa plastikine plėvele. Plastikinė plėvelė sulauko drėgmę aplink vejąpovę, todėl atsiranda rūdžių ir prasideda korozija.
- Vejąpovę galima laikyti pastatytą arba paguldytą (Y pav.).

▲ SPĒJIMAS. Jei vejąpovę grūna iš statmenos padėties, gali būti pažeista vejąpovė arba sužalotas žmogus. Jei vejąpovę laikote pastatytą, užtikrinkite jos stabilumą ir nepasiekiamumą vaikams. Jei įmanoma, laikykite paguldytą.

Aplinkos apsauga



Neišmeskite elektros įrangos, akumuliatorių, iš kroviklio ir baterijų / akumuliatorių su būtinėmis atliekomis!

Pagal Europos Parlamento ir Tarybos direktyvas 2012/19/EB ir 2006/66/EB nenaudojama elektros bei elektronikos įranga ir nenaudojami arba sugedę akumuliatoriai ir (arba) baterijos turi būti surenkami atskirai.

Jei elektriniai prietaisai išmetami į užkasamuosius arba atvirusius sąvartynus, kenksmingos medžiagos gali prisisunkti iki gruntinio vandens, patekti į mitybos grandinę ir kenkti jūsų sveikatai bei gerovei.

EB ATITIKTIES DEKLARACIJA

Mes, EGO EUROPE GMBH

Wahlwiesenstrasse 1, D-71711 Steinheim an der Murr
Deutschland

pareiškiame, kad gaminytis – **akumuliatorinė vejapjovė LM2120E/LM2120E-SP su 56 V ličio jonų akumuliatoriumi** – atitinka esminius sveikatos ir saugos reikalavimus, išdėstyti šiose direktyvose:

2006/42/EB, 2014/30/ES, 2011/65/ES, 2000/14/EB

Standartai ir techninės specifikacijos, kuriais remiamasi:

EN 60335-1, EN 60335-2-77, EN 62233, EN 55014-1,
EN 55014-2

	LM2120E	LM2120E-SP
Išmatuotas garso galios lygis:	89,9 dB(A)	89,5 dB(A)
Garantuojamas garso galios lygis:	92 dB(A)	92 dB(A)

VI priedo atitikties įvertinimo procedūra vykdoma pagal 2000/14/EB.

Notifikuotoji įstaiga: Société Nationale de Certification et d'Homologation

Notifikuotosios įstaigos numeris:0499

KEES VAN DER SLEEK
TUINMACHINES * STOLWIJK

Peter Melrose
„EGO Europe GmbH“
vykdomasis direktorius

Dong Jianxun
„Chervon“ kokybės vadovas

* (CHERVON galiotasis atstovas ir už techninę dokumentaciją atsakingas asmuo)

01/09/2016

TRIKČIŲ ŠALINIMAS

⚠ ĮSPĖJIMAS. Visada ištraukite saugos raktelį ir išimkite akumuliatorių, kai atliekate vejjaprovės techninės priežiūros darbus arba ją transportuojate. Kai atliekate vejjaprovės peilio techninės priežiūros darbus, visada apsaugokite rankas, užsimaudami tvirtas pirštines arba apvyniodami ašmenis su skudurais arba kitomis medžiagomis.

PROBLEMA	PRIEŽASTIS	SPRENDIMAS
Vejjaprovės nepavyksta paleisti	<ul style="list-style-type: none"> ■ Akumuliatorius visiškai išsekęs. ■ Akumuliatorius neįdėtas į akumuliatoriaus skyrių. ■ Akumuliatorius arba vejjaprovės grandinės pėmelys įkaitusios. (Vejjaprovėje esantis maitinimo indikatorius 10 sekundžių dega oranžine spalva.) ■ Iki galo neištraukti šoniniai strypai ir neužfiksuotos apkabos. ■ Rankena nenustatyta į vieną iš dviejų darbinių padėčių. ■ Žole ir apnašos užkimšo vejjaprovės pjovimo platformą. 	<ul style="list-style-type: none"> ■ Įkraukite akumuliatorių. ■ Įdėkite akumuliatorių į vejjaprovę ir spauskite jį tol, kol išgirsite spragtelėjimą. ■ Palaukite, kol akumuliatorius arba vejjaprovė atvės iki žemesnės nei 67 °C temperatūros. ■ Iki galo ištraukite rankeną ir užfiksuokite abi apkabas. ■ Nustatykite rankeną į vieną iš dviejų darbinių padėčių. ■ Nuvalykite vejjaprovės pjovimo platformą ir patikrinkite, ar peilis gali laisvai sukstis.
Vejjaprovė netolygiai pjauja	<ul style="list-style-type: none"> ■ Atšipęs peilis. ■ Netinkamai nustatytas pjovimo aukštis. ■ Netinkamai surinktas peilis. 	<ul style="list-style-type: none"> ■ Pagaląskite arba pakeiskite peilį. ■ Pakelkite pjovimo platformą, nustatydami didesnį pjovimo aukštį. ■ Iš naujo surinkite peilį, vadovaudamiesi nurodymais šios instrukcijos skyriuje PEILIO UŽDĖJIMAS.
Vejjaprovė išsijungia dirbant	<ul style="list-style-type: none"> ■ Akumuliatorius visiškai išsekęs. ■ Vejjaprovė perkrauta. ■ Žole ir apnašos užkimšo vejjaprovės pjovimo platformą. ■ Akumuliatorius arba vejjaprovės grandinės pėmelys įkaitusios. (Vejjaprovėje esantis maitinimo indikatorius 10 sekundžių dega oranžine spalva.) ■ Paspaudus rankeną, šiek tiek įsistūmė šoninis strypas. 	<ul style="list-style-type: none"> ■ Įkraukite akumuliatorių. ■ Padidinkite pjovimo aukštį arba lėčiau pjaukite veją. ■ Pašalinkite vejjaprovės pjovimo platformoje susidariusį kamštį. Padidinkite pjovimo aukštį arba pjaukite siauresnį vejos ruožą. ■ Palaukite, kol akumuliatorius arba vejjaprovė atvės iki žemesnės nei 67 °C temperatūros. ■ Atlaisvinkite apkabas. Iki galo ištraukite šoninius strypus ir vėl užfiksuokite apkabas.

PROBLEMA	PRIEŽASTIS	SPRENDIMAS
Vejamieji netinkamai mulčiuoja	<ul style="list-style-type: none"> ■ Nupjauta šlapia žolė prikimba pjovimo platformos apačioje. ■ Vejamieji nustatyta iš karto pjauti per daug žolės. 	<ul style="list-style-type: none"> ■ Prieš pjudami veją, palaukite, kol žolė išdžius. ■ Pakelkite pjovimo platformą, nustatydami didesnę pjovimo aukštį.
Pernelyg stipri vibracija	<ul style="list-style-type: none"> ■ Atsilaisvinęs pjovimo peilis. ■ Nesubalansuotas pjovimo peilis. ■ Pjovimo ašmenys sulankstyti. ■ Įlenktas variklio velenas. 	<ul style="list-style-type: none"> ■ Priveržkite peilio varžtą. ■ Subalansuokite peilį, vadovaudamiesi instrukcija. ■ Pakeiskite peilį. ■ Kreipkitės į techninės priežiūros centrą.
Nepavyksta uždaryti rankenos užfiksavimo apkabų	<ul style="list-style-type: none"> ■ Nevisiškai ištraukti šoniniai strypai. 	<ul style="list-style-type: none"> ■ Iki galo ištraukite šoninius strypus ir užfiksukite apkabas.

GARANTIJA

EGO GARANTINIS POLISAS

Norėdami sužinoti visas „EGO“ garantinio poliso sąlygas, apsilankykite interneto svetainėje egopowerplus.com.

KEES VAN DER SPEK
TUINMACHINES ★ STOLWIJK

IZLASIET VISUS NORĀDĪJUMUS!



JĀIZLASA LIETOTĀJA ROKASGRĀMATA

⚠ Atlikušais risks! Personām, kas lieto elektroniskas ierīces, piemēram kardiostimulatoru, pirms šī produkta lietošanas jākonsultējas ar savu ārstu. Elektriska aprikojuma darbība sirds kardiostimulatora tiešā tuvumā var izraisīt ievērojamos kardiostimulatora darbībā vai tā darbības atteici.

⚠ BRĪDINĀJUMS: Lai nodrošinātu drošumu un uzticamību, visi remonta un detaļu nomainīšanas darbi ir jāveic kvalificētam tehnikam darbiniekam.

Paredzētais lietojums un iespējamais nepareizais lietojums: Šis produkts ir paredzēts tikai un vienīgi zāles pļaušanai piemājas dārzos. To nedrīkst izmantot ārkārtīgi augstas, sausas vai mitras zāles pļaušanai, piemēram, ganību pļaušanai, kā arī lapu smalcināšanai. Produktu drīkst izmantot tikai tā paredzētajam nolūkam. Jebkurš cita veida lietojums tiek uzskatīts par tā nepareizu lietojumu.

DROŠĪBAS SIMBOLI

Drošības simbolu uzdevums ir pievērst jūsu uzmanību iespējamiem apdraudējumiem. Pievērsiet rūpīgu uzmanību drošības simboliem un to skaidrojumiem, un izprotiet tos. Simbolu brīdinājumi paši par sevi nenovērš apdraudējumu. To sniegtie norādījumi un brīdinājumi nevar aizstāt atbilstošo ārkārtas situāciju novēršanas pasākumus.

⚠ BRĪDINĀJUMS: Pārliecinieties, ka pirms lietot šo instrumentu esat izlasījis un izpratis visus šīs operatora rokasgrāmatas drošības norādījumus, tostarp arī visus drošības brīdinājuma simbolus, piemēram, **"BĪSTAMI"**, **"BRĪDINĀJUMS"** UN **"UZMANĪBU"**. Neievērojot kādu no zemāk uzskaitītajiem norādījumiem, iespējams gūt elektriskās strāvas triecienu, izraisīt ugunsgrēku un/vai gūt nopietnus miesas bojājumus.

SIMBOLA NOZĪME

DROŠĪBAS BRĪDINĀJUMA SIMBOLS: Norāda - **BĪSTAMI**, **BRĪDINĀJUMS** vai **PIESARDZĪBU**. Var tikt izmantots kopā ar citiem simboliem vai piktogrammām.

⚠ BRĪDINĀJUMS: Lietojot jebkāda veida elektroinstrumentus, pastāv risks, ka acīs trāpa svešķermeņi, kas var izraisīt nopietnus acu bojājumus. Pirms elektroinstrumenta iedarbināšanas vienmēr lietojiet standarta aizsargbrilles vai aizsargbrilles ar sānu aizsargiem un nepieciešamības gadījumā - pilno sejas aizsargu. Mēs iesakām izmantot aizsargmasku ar plašu skata leņķi, kas tiek vilkta virs aizsargbrillēm, vai aizsargbrilles ar sānu aizsargiem.

DROŠĪBAS NORĀDĪJUMI

Šajā lappusē ir attēloti un aprakstīti drošības simboli, kas var būt uz šī produkta. Pirms iekārtas salikšanas un darbināšanas izlasiet, izprotiet un ievērojiet visus uz iekārtas esošos norādījumus.

	Drošības brīdinājums	Uz jūsu drošību attiecināmi piesardzības pasākumi.
	Jālieto aizsargbrilles	Strādājot ar šo produktu vienmēr lietojiet standarta aizsargbrilles vai aizsargbrilles ar sānu aizsargiem, kā arī pilnu sejas aizsargu.
	Izlasiet operatora rokasgrāmatu	Lai mazinātu traumu gūšanas risku, pirms šī produkta lietošanas lietotājam jāizlasa un jāizprot operatora rokasgrāmata.
	Uzmanieties no asiem asmeņiem	Pēc motora izslēgšanas asmeņi turpina rotācijas kustību - pirms apkopes darbu veikšanas noņemiet deaktivizēšanas ierīci. Pirms regulēšanas vai tīrīšanas darbu veikšanas izslēdziet un noņemiet noņemamo akumulatoru bloku (vai deaktivizēšanas ierīci).
	Neļaujiet tuvuoties neiesaištītām personām.	Pārliecinieties, ka, lietojot zāles pļāvēju, citas personas un dzīvnieki atrodas vismaz 30m attālumā no tā.
	II klases konstrukcija	Dubultās izolācijas konstrukcija
IPX4	IP simbols	4. klases aizsardzība pret ūdens iedarbību
V	Volti	Spriegums
A	Ampēri	Strāva

Hz	Herci	Frekvence (cikli sekundē)
W	Vati	Jauda
min	Minūtes	Laiks
	Maiņstrāva	Strāvas veids
	Līdzstrāva	Strāvas veids vai raksturlielums
n_0	Apgriezienu skaits bezslodzes apstākļos	Rotācijas ātrums bezslodzes apstākļos
... /min	Minūtē	Apgriezienu skaits minūtē

UZ BEZVADU ZĀLES PLĀVĒJU ATTIECIENĀMIE DROŠĪBAS NOTEIKUMI

⚠ BĪSTAMI: Šī iekārta ir izstrādāta tā, lai tā tiktu lietota saskaņā ar šajā rokasgrāmatā iekļautajiem noteikumiem par drošu darbību. Tāpat kā lietojot jebkuru citu elektroinstrumentu, arī šajā gadījumā lietotāja bezrūpīga attieksme vai lietotāja pieļauta kļūda var izraisīt nopietnus ievainojumus. Šī iekārta var savainot rokas un kājas, kā arī izsviest objektus. Neievērojot kādu no drošības norādījumiem, iespējams gūt nopietnas traumas vai izraisīt nāvi.

⚠ BRĪDINĀJUMS: Lietojot bezvadu zāles plāvēju, vienmēr jāievēro pamata piesardzības pasākumi, lai samazinātu ugunsgrēka rašanās, elektriskās strāvas trieciena un miesas bojājumu gūšanas risku.

SVARĪGI

RŪPĪGI IZLASĪT PIRMS LIETOŠANAS! SAGLABAT VĒLĀKAI PĀRLASIŠANAI!

UZ BEZVADU ZĀLES PLĀVĒJIEM ATTIECIENĀMIE DROŠĪBAS NOTEIKUMI:

PIESARDZĪBU - NEPIESKARTIES ROTĒJOŠAJAM ASMENIM!

APMĀCĪBA

- Rūpīgi izlasiet norādījumus. Iepazīstieties ar vadību un iepazīstiet ierīces pareizu lietojumu.
- Nekad neļaujiet šo ierīci lietot bērniem vai personām, kas nav iepazīnušas ar šiem norādījumiem. Attiecībā uz lietotāja minimālo vecumu spēkā var būt vietējie normatīvie akti.
- Nekad neveiciet plaušanu, ja tuvumā atrodas citas personas, ir īpaši bērni, vai mājdzīvnieki.
- Operators vai lietotājs ir atbildīgs par negadījumiem vai apdraudējumu, kas tiek radīts citām personām vai tīpašumam.

SAGATAVOŠANĀS

- Plaušanas laikā vienmēr valkājiet izturīgus apavus un garas bikses.
- Nedarbiniet ierīci, esot basām kājām vai valkājot atvērtā tipa sandāles. Izvaieties valkāt brīvu apģērbu, vai apģērbu ar nokarenām auklām vai sienamajiem elementiem.
- Rūpīgi pārbaudiet vietu, kurā tiks lietota šī ierīce, un aizvāciet no tās visus akmeņus, zarus, kaulus un cita veida priekšmetus.
- Pirms lietošanas vienmēr veiciet ierīces vizuālu pārbaudi, lai pārliecinātos, ka asmeņi, asmeņu skrūves un griešanas komplekts nav nolietojusies vai bojāti. Nolielotus vai nodilušus asmeņus un skrūves nomainiet komplektos, lai saglabātu zāles plāvēja balansu. Nomainiet bojātas vai nesadalāsamas informācijas norādes.

DARBĪBA

- Veiciet plaušanu tikai dienasgaismā vai labā mākslīgā apgaismojuma.
- Ja vien tas ir iespējams, izvairieties lietot ierīci mitrā zālē.
- Atrodoties slīpumā, vienmēr esiet drošs par savu atbalstu.
- Pārvietojieties ejot, nekad neskrieniet.
- Lietojot rotējošos riteņu zāles plāvējus, plaušanu veiciet perpendikulāri slīpumam, nekad neplaujiet virziena no lejas uz augšu vai otrādi.
- Esiet ārkārtīgi piesardzīgs, ja slīpumā maināt pārvietošanās virzienu.
- Neveiciet plaušanu ļoti slīpās nogāzēs.
- Esiet ārkārtīgi piesardzīgs, pārvietojoties atpakaļgaitā vai velkot ierīci virzienā pret sevi.
- Ja ierīci nepieciešams savērt, lai pārvietotu to pa citām virsmām, kas nav plaujamā zāle, kā arī pārvietojot to uz plaušanas vietu vai no tās, apturiet asmens/asmeņu darbību.
- Nekad nedarbiniet ierīci, ja ir bojāti tās aizsargi vai drošības ierīces, piemēram, novirzītājs un/vai zāles uztvērēji neatrodas tām paredzētajās vietās.
- Ieslēdziet motoru saskaņā ar norādījumiem un raugieties, lai jūsu kājas atrastos drošā attālumā no asmens/asmeņiem.
- Ieslēdzot motoru, nesusveriet ierīci, izņemot gadījumus, ja tas ir nepieciešams ierīces iedarbināšanai. Šajā situācijā nesusveriet ierīci vairāk, kā tas ir nepieciešams, un paceliet tikai to tās daļu, kas ir vērstā virzienā prom no operatora. Pirms ierīces novietošanas atpakaļ uz zemes, vienmēr pārliecinieties, ka abas rokas atrodas darba pozīcijā.
- Neiedarbiniet iekārtu, ja stāvat priekšā zāles izmešanas atverei.

- Nenovietojiet rokas vai kājas zem rotējošajam detaļam vai to tuvumā. Raugieties, lai rotējošajiem zāles plāvējiem zāles izmešanas atvere vienmēr būtu brīva.
- Nekad neceliet un nenesiet ierīci, ja darbojas tās motors.
- Pirms regulēšanas vai tīrīšanas darbu veikšanas izslēdziet ierīci un novienojiet noņemamo akumulatoru bloku (vai deaktivizēšanas ierīci), un pārliecinieties, ka visas kustīgās detaļas ir pārtraukušas kustību:
 - katru reizi, kad pametat ierīci;
 - pirms aizsprostojuma likvidēšanas vai izmešu teknes attīrīšanas;
 - pirms ierīces pārbaudīšanas, tīrīšanas vai jebkādu darbu veikšanas ierīcē;
 - pēc sadursmes ar kādu priekšmetu. Pārbaudiet, vai ierīcei nav bojājumu un nepieciešamības gadījumā veiciet nepieciešamos remonta darbus.
- Ja ierīce sāk neparasti vibrēt (pārbaudiet nekavējoties):
 - pārbaudiet, vai tā nav bojāta;
 - nomainiet vai salabojiet bojātās detaļas;
 - pārbaudiet un pievelciet vaļīgās detaļas.

TEHNISKĀ APKOPE UN UZGLABĀŠANA

- Veicot ierīces regulēšanu, esiet piesardzīgs un uzmanieties, lai starp kustīgajiem asmeņiem un ierīces fiksētajām daļām neiesprūstu pirksti.
- Raugieties, lai visi uzgriežņi, bultskrūves un skrūves būtu cieši pievilkta, tādējādi nodrošinot ierīces drošu ekspluatāciju.
- Regulāri pārbaudiet, vai zāles uztvērējs nav nolietojies vai bojāts.
- Drošības nolūkos nomainiet nolietotās vai bojātās detaļas.
- Bērniem nav atļauts veikt tīrīšanu un lietotajam veicamo apkopi bez uzraudzības.
- Veicot apkopes darbus asmeņiem, ņemiet vērā, ka, kaut arī elektropadeve ir izslēgta, asmeņus joprojām ir iespējams pakustināt.
- Rotējošajiem zāles plāvējiem pārliecinieties, ka tiek izmantotas pareizā veida rezerves griešanas detaļas.

LV

PERSONISKĀ DROŠĪBA

Ja zāles plāvēja lietotājs nepievērš uzmanību bērnu klātbūtnē, var tikt izraisīti traģiski nelaimes gadījumi. Zāles plāvējs un pļaušana bieži vien piesaista bērnus. Bērni neizprot ar to saistītos apdraudējumus. Nekad nepieņemiet par pašsaprotamu, ka bērni paliks vietā, kur jūs viņus redzējāt pēdējo reizi.

- Neļaujiet bērniem atrasties pļaušanas zonā un raugieties, lai tie atrastos atbildīga pieaugušā (kas nav zāles plāvēja lietotājs) uzraudzībā.

- Esiet modrs un izslēdziet zāles plāvēju, ja pļaušanas zonā ienāk bērns.
- Esiet ārkārtīgi piesardzīgs, tuvojoties aklieņiem stūriem, durvīm, krūmiem, kokiem vai citiem objektiem, kas var aizsegāt jūsu redzamību un neļaut saskatīt bērnu, kas var saskrieties ar zāles plāvēju.
- Bērni ir jāpieskata, lai būtu drošs, ka viņi nespējās ar zāles plāvēju.
- Izņemot akumulatoru bloku no instrumenta, vienmēr izslēdziet zāles plāvēju. Ja ierīci nepieciešams savstvert, lai pārvietotu to pa citām virsmām, kas nav pļaujamā zāle, kā arī pārvietojot to uz pļaušanas vietu vai no tās, apturiet asmeņus/ asmeņu darbību.

DARBĪBA VISPĀRĪGĀ DARBĪBA:

- Pirms mēģināt salikt šo iekārtu, rūpīgi izlasiet pilnīgi visu šo operatora rokasgrāmatu. Pirms darba uzsākšanas izlasiet, izprotiet un ievērojiet visus uz iekārtas un rokasgrāmatās esošos norādījumus. Pirms sākt darbu ar šo ierīci, pilnībā pārziniet ierīces vadības elementus un ierīces pareizu lietojumu. Uzglabājiet šo rokasgrāmatu drošā vietā regulārai vēlākai pārlasīšanai, kā arī gadījumiem, kad nepieciešams veikt rezerves daļu pasūtīšanu.
- Izmantojiet pareizo ierīci - neizmantojiet zāles plāvēju nevienam citam nolūkam, kā vien tam, kam tas ir paredzēts.
- Nesniedzieties pārāk tālu - vienmēr saglabājiet labu atbalstu un kontrolētu līdzsvaru.
- Ja kāds priekšmets saduras ar zāles plāvēja asmeni, iespējams nopietni traumēt tuvumā esošas personas. Pirms katras pļaušanas reizes zāliens ir rūpīgi jāpārbauda un no tā ir jāaizvāc visi priekšmeti.
- Pirms pārvietoties atpakaļgaitā un šī procesa laikā skatieties uz aizmuguri un uz zemi, lai redzētu, vai tuvumā neatrodas mazi bērni un citas personas.
- Zāles plāvējs nav rotaļlieta! Tādēļ vienmēr darbojieties ar īpašu piesardzību! Šī iekārta ir izstrādāta vienas funkcijas veikšanai - zāles pļaušanai. Neizmantojiet to citiem mērķiem.
- Nepaļaujiet zāles plāvēju pārlieku lielai slodzei - tas darbu paveiks labāk un drošāk, ja tiks lietots tādā ātrumā, kādam tas ir paredzēts.
- Pirms lietošanas vienmēr veiciet ierīces vizuālu pārbaudi, lai pārliecinātos, ka asmeņi, asmeņu skrūves un griešanas komplekts nav nolietojies vai bojāti. Lai tiktu saglabāts balansējums, nomainiet nolietotus vai bojātus asmeņus, skrūves un citus komponentus visus vienā reizē. Nomainiet bojātās vai nesalasāmas informācijas norādes.
- Esiet ārkārtīgi piesardzīgs, pārvietojoties atpakaļgaitā vai velkot ierīci virzienā pret sevi.

- Rūpīgi pārbaudiet vietu, kurā šis aprīkojums tiks izmantots. Aizvāciet visus akmeņus, zarus, vadus, rotāllietas un citus priekšmetus, kurus asmenim ir iespējams aizķert vai uztvert un izsviest. Izsviesti priekšmeti var izraisīt nopietnus savainojumus. Plānojiet savu plaušanas trajektoriju tā, lai noņautais materiāls netiktu izsviests uz ceļiem, gājēju celiņiem, tuvumā esošām personām utt. Tāpat izvairieties no noņautā materiāla izsviešanas pret sienām vai šķēršļiem, kas izsviesto materiālu varētu atsviest atpakaļ operatora virzienā.
- Lai maksimāli izvairītos no saskares ar asmeni vai iespējamām lidojošu objektu izraisītām traumām, zāles plāvēja darbības laikā atrodieties operatora zonā aiz rokturim un raugieties, lai bērni, skatītāji, palīgi un mājdzīvnieki atrastos vismaz 30m attālumā no zāles plāvēja. Apturiet iekārtu, ja kāds ienāk zonā, kas ir tuvāka par augstāk norādīto.
- Lai, zāles plāvēja darbības laikā un veicot zāles plāvēja regulēšanu vai remonta darbus, pasargātu acis, vienmēr valkājiet aizsargbrilles. Izsviesti objekti, atsitoties pret šķērslī, var radīt nopietnas acu traumas. Ja veicamais darbs ir puteļains, vienmēr valkājiet sejas aizsargmasku vai elpoļu aizsargmasku.
- Ģērbieties atbilstoši - nevalkājiet brīvu apģērbu vai rotaslietas. Brīvs apģērbs un rotaslietas var iekerties rotējošajās daļās. Strādājot ārpus telpām, ieteicams izmantot gumijas cimdus un apavus. Velciet izturīgus darba apavus, kuru zolēm ir izteikts protektors, un cieši pieguļošas bikses un kreklu. Ieteicams vilkt kreklu un bikses, kas nosedz rokas un kājas, kā arī darba apavus ar tērauda purngala ieliktņi. Nekad nedarbiniet šo iekārtu, ja esat ar basām kājām, vai valkājat sandales, vieglas (piem., auduma) kurpes vai kurpes, kas uz virsmas izslīd.
- Nenovietojiet rokas vai kājas rotējošu detaļu tuvumā vai zem plaušanas korpusa. Saskaņojiet ar asmeni, iespējams gūt roku un kāju traumas.
- Ja zāles plāvējam nav zāles izmešanas atveres pārsegs vai tas ir bojāts, iespējama saskare ar asmeņiem, kā arī iespējams gūt traumas no izsviestiem objektiem.
- Bieži vien savainojumi tiek gūti paslīdot vai aizķeroties, un kritiena rezultātā uzstumjot zāles plāvēju pāri kājai. Kritiena gadījumā neturieties pie zāles plāvēja - nekavējoties atļaidiet rokturi.
- Pārvietošanās laikā nekad nevelciet zāles plāvēju uz aizmuguri virzienā uz sevi. Ja jums zāles plāvējs ir jāpārvieto uz aizmuguri prom no sienas vai šķēršļa, vispirms paskatieties uz aizmuguri un uz zemi, lai izvairītos no pakļūšanas, un pēc tam veiciet šādas darbības:
 - atkāpieties no zāles plāvēja un pilnībā iztaisnojiet rokas;
 - pārliecinieties, ka atrodaties labā līdzsvarā un atbilstoši balstāties pret zemi;
- lēnām pavelciet zāles plāvēju uz aizmuguri, bet ne vairāk par pusi no attāluma, kas šķir jūs no ierīces;
 - atkārojiet šīs darbības pēc nepieciešamības.
- Nedarbiniet zāles plāvēju, ja atrodaties alkohola vai zāļu ietekmē.
- Nekad nedarbiniet ierīci, ja ir bojāti tās aizsargi vai drošības ierīces, piemēram, novirzītājs un/vai zāles uztvērēji neatrodas tām paredzētajās vietās.
- Esiet modrs - pievērsiet uzmanību tam, ko darāt! Paļaujieties uz veselo saprātu. Nedarbiniet zāles plāvēju, kad esat noguris.
- Motora/asmens vadības rokturis ir drošības ierīce. Nekad nemēģiniet apiet tās funkciju. Cenšoties apiet vadības rokturi, drošības iekārta tiek deaktivizēta, un iespējams gūt miesas bojājumus, saskaroties ar rotējošo asmeni. Motora/asmens vadības rokturim viegli jākustas abos virzienos, un, kad tas tiek atlaists, tam automātiski jāatgriežas nenospēstā stāvoklī.
- Izvairieties no bīstamām vidēm - neizmantojiet zāles plāvēju mitrās vai slapjās vietās.
- Nelietojiet lietus laikā.
- Vienmēr esiet drošs par savu atbalstu. Paslīdot un krītot iespējams gūt nopietnus miesas bojājumus. Ja jūtat, ka zaudējat atbalstu, nekavējoties atļaidiet motora/asmens vadības rokturi, un asmens trīs sekunžu laikā pārstās rotēt.
- Apturiet asmeni, kad šķērsojat grants ceļus, gājēju celiņus vai brauktuves.
- Ja aprīkojums sāk neierasti vibrēt, apturiet motoru un nekavējoties noskaidrojiet vibrācijas cēloni. Vibrācijas parasti ir brīdinājums par problēmām.
 - pārbaudiet, vai zāles plāvējs nav bojāts;
 - nomainiet vai salabojiet bojātās detaļas, kuru nomaiņu var veikt pats lietotājs;
 - pārbaudiet un pievelciet vaļīgās detaļas.
- Nekad nedarbiniet zāles plāvēju, ja tam nav vai nedarbojas kāds no šiem elementiem: atbilstošs aizmugures aizsargs, zāles izmešanas atveres pārsegs, zāles maiss, smalcināšanas ieliktņi, sānu izmešu tekne, motora/asmens vadības rokturis vai kāda cita drošības aizsargierīce. Nekad nedarbiniet zāles plāvēju, ja tā aizsargierīces ir bojātas. Pretējā gadījumā iespējams gūt miesas bojājumus.
- Ja rodas situācijas, kas nav aprakstītas šajā rokasgrāmatā, rīkojieties piesardzīgi un saprātīgi izvērtējiet situāciju. Ja jums nepieciešama palīdzība, sazinieties ar EGO klientu atbalsta dienestu.
- Lietojiet tikai ar zemāk norādītajiem akumulatoru blokiem un uzlādes ierīcēm:

AKUMULATORU BLOKS	UZLĀDES IERĪCE
BA1120E, BA2240E, BA2800, BA3360, BA4200	CH5500E, CH2100E

- Pirms aprīkojuma utilizēšanas, no tā ir jāizņem akumulatoru bloks.
- Akumulatora utilizēšana jāveic drošā veidā.

STRĀDĀŠANA NOGĀZĒ:

Nogāzes ir biežākais paslīdēšanas un krišanas izraisītu negadījumu iemesls, kuru rezultātā iespējams gūt nopietnas traumas. Atrodoties slīpumā, vienmēr esiet drošs par savu atbalstu. Strādājot nogāzēs, nepieciešama papildu piesardzība. Ja jūs, atrodoties uz nogāzes, nejutāties pārliecināts, neplaujiet to.

Atļautās darbības:

- Pļaušanu veiciet perpendikulāri nogāzēm, nekad neplaujiet virzienā no augšas uz leju un otrādi. Esiet ārkārtīgi piesardzīgs, ja slīpumā maināt pārvietošanās virzienu.
- Uzmanieties no bedrēm, grambām, akmeņiem, neredzamiem objektiem vai izciļņiem, kas var izraisīt jūsu paslīdēšanu vai pakļupšanu. Garā zālē var slēpties šķēršļi.

Neatļautās darbības:

- Neveiciet pļaušanu krauju, grāvju vai krastu tuvumā - jūs varat zaudēt atbalstu vai līdzsvaru.
- Neveiciet pļaušanu nogāzēs, kuru slīpums ir lielāks par 15 grādiem.
- Neplaujiet slapju zāli. Nestabils atbalsts var izraisīt paslīdēšanu.

Apkalpes darbi

⚠ BRĪDINĀJUMS: Zāles maisa detaļas, zāles izmešanas atveres pārsegs, sānu izmešu tekne, smalcināšanas ieliktnis un aizmuģures aizsargs var nolietoties vai salūzt, tādējādi ļaujot piekļūt ierīces kustīgajām detaļām vai izsviežot objektus, kā rezultātā var palielināties traumu gūšanas risks. Drošības nolūkos bieži pārbaudiet visas zāles pļāvēja detaļas un nekavējoties nomainiet bojātas detaļas, izmantojot identiskas, šajā rokasgrāmatā norādītas rezerves daļas. Sazinieties ar EGO klientu apkalpošanas dienestu vai jums tuvāko EGO apkopes centru; remonta darbi un detaļu maiņšana ir jāveic kvalificētam speciālistam!

- Ja bieži aktivizējas zāles pļāvēja iebūvētā pārslodzes aizsardzības sistēma, sazinieties ar EGO klientu atbalsta dienestu vai tuvāko EGO apkopes centru.

- Nemazgājiet zāles pļāvēju, izmantojot šļūteni; nepieļaujiet ūdens iekļūšanu motorā un elektriskajos savienojumos.
- Ja zāles pļāvējs netiek izmantots, izņemiet no tā atslēgu un uzglabājiet zāles pļāvēju iekšstelpās. Pirms zāles pļāvēja novietošanas ierobežotā vietā ļaujiet atdzist tā motoram. Zāles pļāvējs jāuzglabā sausā, augstā vai aizslēdzamā vietā, kur tam nevar piekļūt bērni.
- Veicot apkopes darbus, izmantojiet tikai identiskas rezerves daļas, kas ir uzskaitītas šajā rokasgrāmatā. Lietojot detaļas, kas neatbilst aprīkojuma oriģinālajām specifikācijām, zāles pļāvējs var darboties neatbilstoši un mazāk droši.
- Pirms apkopes vai tīrīšanas darbu veikšanas, kā arī pirms pļaušanas atlikumu izņemšanas no zāles pļāvēja, izņemiet vai atvienojiet no iekārtas akumulatoru bloku.
- Veicot piederumu maiņu, ievērojiet sniegtos norādījumus.
- Raugieties, lai rokturi būtu sausi, tīri un uz tiem nebūtu eļļas vai smērvielas.
- Lai mazinātu ugunsgrēka rašanās risku, raugieties, lai uz motora pārsega neuzkrātos zāle, lapas vai netīrumi.
- Periodiski pārbaudiet, vai asmenis un motora montāžas skrūves ir pievilktas atbilstošā ciešumā. Vizuāli pārbaudiet, vai asmenim nav redzamu bojājumu (piem., salocīts asmenis, plīsumi vai nodilums). Mainot asmeni, izmantojiet tikai identisku rezerves asmeni, kas ir norādīts šajā rokasgrāmatā.
- Uzturiet zāles pļāvēju labā darba kārtībā - lai iegūtu labākos rezultātus, raugieties, lai zāles pļāvēja asmens būtu ass un tīrs. Zāles pļāvēja asmeni ir asi un ar tiem ir iespējams sagriezties. Veicot apkopes darbus asmenim, ietiniet to vai valkājiet cimdus un rīkojieties īpaši piesardzīgi.
- Nekad nenonēmiat aizsargierīces un neizmaniet to darbību. Regulāri pārbaudiet, vai aizsargierīces darbojas pareizi. Nekad neveiciet nevienu darbību, kas ietekmētu kādas aizsargierīces paredzētās funkcijas veikšanu, un neveiciet darbības, lai mazinātu kādas aizsargierīces sniegto aizsardzības līmeni.
- Pirms riteņu vai pļaušanas augstuma regulēšanas vienmēr apturiet ierīces motoru.
- Saskaroties ar kādu objektu, apturiet motoru, izņemiet atslēgu un rūpīgi pārbaudiet, vai zāles pļāvējam nav kādu bojājumu. Pirms zāles pļāvēja darbināšanas novērsiet bojājumu.
- Saglabājiet drošības norādījumu informatīvās norādes un nepieciešamības gadījumā nomainiet tās. Sazinieties ar EGO klientu apkalpošanas dienestu vai jums tuvāko EGO apkopes centru; remonta darbi un detaļu maiņšana ir jāveic kvalificētam speciālistam!

- SAGLABĀJIET ŠOS NORĀDĪJUMUS!** Laiku pa laikam pārskatiet tos un izmantojiet tos, lai instruētu citas personas, kas varētu izmantot šo instrumentu. Ja jūs šo instrumentu aizdodat kādai citai personai, aizdodiet arī šo rokasgrāmatu, lai nepieļautu, ka produkts tiek lietots nepareizi, kā arī lai izvairītos no iespējamām traumām.
- AKUMULATORU LIETOŠANA UN APKOPE**
- Rūpējoties par dabas resursu saglabāšanu, lūdzu, pareizi utilizējiet akumulatorus vai nododiet tos atkārtotai pārstrādei. Šis produkts satur litija jonu akumulatorus. Vietējā un valsts likumdošana aizliedz izmest litija jonu akumulatorus sadzīves atkritumos. Lai iegūtu informāciju par iespējamajām atbilstošajām pārstrādes un/vai utilizēšanas iespējām, sazinieties ar vietējo par atkritumu apsaimniekošanu atbildīgo varas iestādi.
- Pēc akumulatoru bloka izņemšanas, lai veiktu tā utilizēšanu vai nodošanu atkārtotai pārstrādei, pārklājiet akumulatoru bloka spaiļus ar izturīgu līmlenti. Nemēģiniet iznīcināt vai izjaukt akumulatoru bloku, vai izņemt kādu no tā sastāvdaļām. Litija jonu akumulatoru atkārtota pārstrāde vai utilizēšana ir jāveic pareizi. Tāpat nekad nepieskarieties spaiļiem ar metāliskiem priekšmetiem un/vai ķermeņa daļām, jo tādējādi iespējams izveidot īsslēgumu. Sargiet no bērniem. Neievērojot šos brīdinājumus, iespējams izraisīt ugunsgrēku un/vai gūt nopietnas traumas.
- NEPAREIZOS IZMANTOŠANAS APSTĀKĻOS NO AKUMULATORA VAR IZTECĒT ŠĶIDRUMS; IZVAIRIETIES NO SASKARES AR TO. JA NEJAUŠI SASKARĀTIES AR ŠĶIDRUMU, NOSKALOJIET AR ŪDENI. JA ŠĶIDRUMS NONĀK SASKARĒ AR ACĪM, PAPILDUS VĒRSIETIES PĒC MEDICĪNISKAS PALĪDZĪBAS.** No akumulatora iztecējis šķidrums var izraisīt kairinājumu vai apdegumus.

Zāles maisa tilpums	70 L	70 L
Plāvēja augstums (bez akumulatora)	22,10 kg	24,55 kg
Asmens modelis	AB2101	AB2101
Izmērītais skaņas jaudas līmenis L_{WA} K=2 dB(A)	89,9 dB(A)	89,5 dB(A)
Skaņas spiediena līmenis pie operatora auss L_{PA} K=3 dB(A)	87 dB(A)	87 dB(A)
Garantētais skaņas jaudas līmenis L_{WA} (atbilstoši 2000/14/EK)	92 dB(A)	92 dB(A)
Vibrācija a_h K=1,5 m/s ²	Labais rokturis	≤ 2,5 m/s ²
	Kreisais rokturis	≤ 2,5 m/s ²
Asmens bremze	Jā	Jā

- Deklarētā vibrācijas kopējā vērtība ir izmērīta saskaņā ar standarta testa metodi un tā var tikt izmantota viena instrumenta salīdzināšanai ar citu.
- Deklarētā vibrācijas kopējā vērtība var tikt izmantota arī iedarbības sākotnējā novērtēšanā.

PIEZĪME: Radītās vibrācijas elektroinstrumenta faktiskās lietošanas laikā var atšķirties no deklarētās vērtības; lai operators tiktu pasargāts, faktiskajos izmantošanas apstākļos ieteicams valkāt cimdus un lietot dzirdes aizsargus.

KOMPLEKTĀCIJA

DETAĻAS NOSAUKUMS	DAUDZUMS
Zāles plāvējs	1
Zāles maiss	1
Zāles maisa karkass	1
Smalcināšanas ieliktņi	1
Drošības atslēga	2
Operatora rokasgrāmata	1

SPECIFIKĀCIJAS

Modeļa numurs	LM2120E	LM2120E-SP
Pašgājēja sistēma	Nav	Jā
Spriegums	56 V	56 V
Ātrums bez slodzes	2800 /min	2800 /min
Griešanas augstums	28-94 mm	28-94 mm
Griešanas augstuma pozīcijas	6	6
Pamatnes izmērs	53 cm	53 cm
Griešanas platums	52 cm	52 cm

APRAKSTS

IEPAZĪSTIET SAVU PLĀVĒJU (Zīm. A, B, C)

1. Drošības poga
2. Pašgājēja triggeris
3. Roktura bloķēšanas spaiļe
4. Aizmugures izlādes durvītas
5. Aizmugurējais rokturis
6. Akumulatora pārsegs
7. LED priekšējie lukturi
8. Priekšējais rokturis
9. Priekšējais ritenis
10. Griešanas augstuma regulēšanas svira
11. Plāvēja pamatne
12. Aizmugurējais ritenis
13. Zāles maiss
14. Ātrās regulēšanas svira
15. Sānu sliede
16. Pašgājēja ātruma vadības svira
17. Drošības slēdzis (slēdža svira)
18. Rokturis
19. Mulčošanas ieliktnis
20. Atbalsts uzglabāšanai vertikālā stāvoklī
21. Piekabināms aizsargs
22. LED priekšējo lukturu slēdža poga
23. Strāvas indikators

DARBĪBA

ZĀLES MAISA SALIKŠANA

- 1) Uzvelciet zāles maisu uz karkasa (Zīm. D).
- 2) Piestipriniet karkasam augšējos klipšus (Zīm. E), pēc tam nostipriniet abus sānu klipšus. Visbeidzot nostipriniet apakšējo klipši.
- 3) Attēlā F ir redzams pilnībā saliktais zāles maiss.

LV

PIEZĪME: Normālos lietošanas apstākļos zāles maisa materiāls ar laiku nolietojas. Lai mazinātu ievainojumu gūšanas risku, bieži pārbaudiet maisa komplektu, un nomainiet to, ja ir vērojamas kādas nolietojuma vai nodiluma pazīmes. Izmantojiet tikai tādas zāles maisus, kas ir īpaši izgatavoti šim zāles plāvējam.

SALOKĀMĀ ROKTURA REGULĒŠANA

BRĪDINĀJUMS: Nedarbiniet plāvēju, kamēr rokturis

242

nav fiksēts kādā no trim iepriekš iestatītajām darbības pozīcijām (AUGŠĒJĀ DARBĪBAS POZĪCIJĀ, VIDĒJĀ DARBĪBAS POZĪCIJĀ vai APAKŠĒJĀ DARBĪBAS POZĪCIJĀ).

Zāles plāvējs tiek piegādāts, rokturim atrodoties salocītā, BLOĶĒTĀ UZGLABĀŠANAS POZĪCIJĀ (Zīm. G).

- 1) Lai atlaistu rokturi no BLOĶĒTĀS UZGLABĀŠANAS POZĪCIJĀS, nospiediet ātrās regulēšanas sviru un turiet to nospiestu (Zīm. H-1).
- 2) Paceliet rokturi no salocītās pozīcijas, pēc tam atlaidiet rokturi. Uzmanīgi pārsveriet rokturi virzienā uz augšu, līdz izdzirdat un sajūtat bloķēšanas tapas fiksēšanas kādā no H attēlā norādītajām pozīcijām.

ZĀLES MAISA PIEVIENOŠANAS/NOŅEMŠANAS POZĪCIJA (Zīm. H-2).

- AUGŠĒJĀ DARBA POZĪCIJA (Zīm. H-3)
- VIDĒJĀ DARBĪBAS POZĪCIJA (Zīm. H-4)
- ZEMĀKĀ DARBA POZĪCIJA (Zīm. H-5)

ZĀLES MAISA / MULČOŠANAS IELIKTŅA PIEVIENOŠANA/NOŅEMŠANA

BRĪDINĀJUMS: Nekad neveiciet zāles plāvēja regulēšanu, pirms nav apturēts plāvēja motors, izņemta drošības atslēga un asmeņi nav pārtraukti griezienos.

PIEZĪME: Aprīkojumu zāles plāvējam pievienojiet pirms pļaušanas sākšanas.

- Zāles maisa pievienošana/noņemšana (Zīm. I)

PIEZĪME: Pirms zāles plāvējam pievienot zāles maisu, noņemiet zāles plāvējā iepriekš uzstādīto smalcināšanas ieliktni.

- Mulčošanas ieliktna pievienošana/noņemšana (Zīm. J)

GRIEŠANAS AUGSTUMA REGULĒŠANA (Zīm. K)

BRĪDINĀJUMS: Veicot korpusa augstuma regulēšanu, raugieties, lai jūsu kājas neatrastos tā tuvumā. Zāles plāvējam ir pieejami 5 pļaušanas augstuma iestatījumi no 28 mm līdz 94 mm. Izvēlieties atbilstošo pļaušanas augstumu, izvērtējot zāles veidu un pļaušanas apstākļus.

PIEZĪME: Ja veicat iekārtas pārvietošanu, pārliecinieties, ka pļaušanas augstums ir iestatīts 3. pozīcijā vai augstāk. Pretējā gadījumā iespējams sabojāt asmeni.

AKUMULATORU BLOKA PIEVIENOŠANA/NOŅEMŠANA (Zīm. L)

Uzslādiejiet pirms pirmās lietošanas reizes.

⚠ BRĪDINĀJUMS: Nemēģiniet pievienot zāles plāvējam akumulatoru bloku vai darbināt zāles plāvēju gadījumā, ja trūkst kāda detaļa vai kāda detaļa ir salauzta; to atļauts darīt tikai tad, ja bojātā detaļa ir tikusi salabota vai aizvietota. Pretējā gadījumā var būt iespējams gūt nopietnus miesas bojājumus.

■ Pievienošana

Iespiediet akumulatoru bloku akumulatora nodalījumā, līdz izdzirdat "klikšķi".

■ Noņemšana

Akumulatora nodalījumā nospiediet akumulatora atlaišanas pogu.

Zīm. L detaļu aprakstu skatiet tālāk:

L-1	Drošības atslēgas sprauga
L-2	Drošības atslēga
L-3	Akumulatora atbrīvošanas poga

PIEZĪME: Pirms darba uzsākšanas pārliecinieties, ka ir nofiksējies zāles plāvēja aizturis un akumulatoru bloks ir nostiprināts zāles plāvējā.

ZĀLES PLĀVĒJA IEDARBINĀŠANA/IZSLĒGŠANA

⚠ BRĪDINĀJUMS: Lietojot jebkāda veida zāles plāvēju, pastāv risks, ka jūs vai kādas citas personas acis trāpa svešķermeņi, kas var nopietni traumēt acis. Strādājot ar zāles plāvēju, kā arī veicot zāles plāvēja regulēšanas vai remonta darbus, vienmēr valkājiet aizsargbrilles.

⚠ BRĪDINĀJUMS: Neizmantojiet zāles plāvēju lietus laikā.

⚠ BRĪDINĀJUMS: Pārliecinieties, ka, lietojot zāles plāvēju, citas personas un dzīvnieki atrodas vismaz 30m attālumā no tā.

⚠ BRĪDINĀJUMS: Asmens turpina rotēt vēl dažas sekundes pēc zāles plāvēja izslēgšanas. Pirms iedarbināt zāles plāvēju atkārtoti, ļaujiet motoram/asmenim apstāties. Neveiciet zāles plāvēja strauju ieslēgšanu un izslēgšanu.

PIEZĪME: Motoru ir iespējams iedarbināt tikai tad, ja:

- Rokturis ir nofiksēts vienā no darba pozīcijām
- Sānu rokturi ir pilnībā izvilkti (Zīm. M);
- Abi zāļie roktura bloķētāji ir cieši noslēgti (Zīm. N).

⚠ UZMANĪBU! Neceļtiesies manuāli darbināt drošības pogu un drošības slēdzi.

Iedarbināšana (Zīm. P)

1. Pievienojiet akumulatoru plāvējam, ievietojiet drošības atslēgu atslēgas spraugā un aizveriet akumulatora pārsegu (Zīm. L).
2. Atbilstoši Zīm. O nospiediet uz leju drošības pogu.
3. Kamēr drošības poga ir nospiesta, pavelciet drošības

slēdzi uz augšu līdz rokturim un atlaidiet drošības pogu.

Izslēgšana (Zīm. Q)

- 1) Atlaidiet drošības slēdzi.
- 2) Automātiskā bremzēšanas mehānisma elektroniskās bremzes 3 sekunžu laikā pēc drošības slēdža atlaišanas apturēs asmens rotāciju.

PAŠGĀJĒJA SISTĒMA AR MAINĪGU ĀTRUMU

LM2120E-SP plāvējs ir aprīkots ar pašgājēja sistēmu ar mainīgu darbības ātruma iespēju. Šī sistēma darbojas neatkarīgi no ieslēgšanas/izslēgšanas slēdža un no asmeņu griešanās.

Lai darbinātu šo sistēmu bez asmeņu griešanās, pavelciet pašgājēja trigeri uz roktura pusi.

Lai izslēgtu pašgājēja sistēmu, atlaidiet pašgājēja trigeri.

Sistēmai ir mainīgs darbības ātrums. Lai palielinātu ātrumu, pārvietojiet pašgājēja ātruma vadības sviru uz priekšu. Lai samazinātu ātrumu, pārvietojiet pašgājēja ātruma vadības sviru atpakaļ (Zīm. R).

Iekārtas darbināšana ar pļaušanas asmens griešanas:

1. Iedarbiniet plāvēju.
2. Ar kreiso roku turot drošības slēdzi pret rokturi, ar labo roku pavelciet pašgājēja trigeri uz roktura pusi.
3. Vienlaikus ar labo roku turiet drošības slēdzi un pašgājēja trigeri pret rokturi un ar kreiso roku regulējiet pašgājēja ātruma vadības sviru, lai izvēlētos vajadzīgo ātrumu.

Piezīme: Pļaušanas laikā var būt vieglāk pļaut apkārt kādam objektam, piemēram, kokam vai augiem, ar izslēgtu pašgājēja sistēmu.

⚠ BRĪDINĀJUMS: Lai mazinātu traumu risku, nekad neceļtiesies manuāli darbināt slēdzi vai pašgājēja sistēmu. Izmantojiet pašgājēju tikai tam paredzētajiem mērķiem.

ZĀLES PLĀVĒJA LED DARBA GAISMAS (Zīm. A-7)

Lai ieslēgtu/izslēgtu akumulatora nodalījuma priekšpusē esošās LED darba gaismas, nospiediet darba gaismu pārslēga pogu (Zīm. C-2).

ZĀLES PLĀVĒJA JAUDAS INDIKATORS (Zīm. S)

Zāles plāvējs ir aprīkots ar jaudas indikatoru, kas uzrāda akumulatoru bloka uzlādes līmeni un zāles plāvēja darba statusu. Jaudas indikators iedegas, ja rotē asmens vai ir ieslēgtas LED darba gaismas.

Zāles plāvēja jaudas indikators	Nozīme	Darbība
Deg zaļā krāsā	Zāles plāvējs darbojas normāli, akumulatora uzlādes līmenis ir vismaz 15%	Nav pieejams
Deg sarkanā krāsā	Zems akumulatora uzlādes līmenis	Apturiet zāles plāvēju un uzlādējiet akumulatoru bloku
Mirgo sarkanā krāsā	Akumulators ir gandrīz pilnībā izlādējies	Apturiet zāles plāvēju un uzlādējiet akumulatoru bloku
Deg oranžā krāsā	Zāles plāvējs vai akumulatoru bloks ir pārkarsis	Izņemiet akumulatoru bloku no zāles plāvēja, novietojiet tos ēnā un ļaujiet atdzist vismaz 15 minūtes
Mirgo oranžā krāsā	Zāles plāvējam ir pārslodze	Samaziniet savu darba ātrumu vai palieliniet plaušanas augstumu, lai samazinātu slodzi

PLĀVĒJA PĀRSLODZES AIZSARDZĪBA

Lai novērtu pārslodzi, centieties neplaut pārāk daudz zāles vienlaikus. Samaziniet griešanas ātrumu vai palieliniet griešanas augstumu.

Jūsu plāvējam ir iebūvēta pārslodzes ķēdes aizsardzības sistēma. Ja plāvējā darbībā tiek konstatēta pārslodze, motors tiek apturēts un plāvēja strāvas indikators mirgo oranžā krāsā. Noņemiet plāvēja akumulatoru. Pārbauddiet, vai zem pamatnes nav sakrājušies zāle, un, ja nepieciešams, iztīriet to, pēc tam ielieciet akumulatoru un atkārtoti iedarbiniet plāvēju.

AKUMULATORA AIZSARDZĪBA PRET AUGSTU TEMPERATŪRU

Akumulators darbības laikā izdala siltumu. Siltā laikā siltums tiek izkliedēts lēnāk. Ja akumulatora temperatūra darbības laikā pārsniedz 70°C, aizsardzības sistēma nekavējoties izslēdz zāles plāvēju, lai pasargātu akumulatoru bloku no bojāšanas. Zāles plāvēja jaudas indikators mirgos oranžā krāsā. Atļaidiet drošības slēdzi, nogaidiet, līdz akumulatoru bloks atdziest līdz aptuveni 67°C temperatūrai, un iedarbiniet zāles plāvēju atkārtoti.

APKOPE

▲ BRĪDINĀJUMS: Lai novērstu smagas traumas, vienmēr izņemiet no plāvēja drošības atslēgu pirms tīrīšanas, apkopes darbu veikšanas vai plāvēja transportēšanas.

▲ BRĪDINĀJUMS: Veicot apkopes darbus, vienmēr izmantojiet identiskas rezerves daļas. Izmantojot jebkādas citas detaļas, var tikt radīts apdraudējums vai iespējams bojāt produktu. Lai nodrošinātu drošumu un uzticamību, visi remonta un detaļu nomaizņas darbi ir jāveic kvalificētam tehniskajam darbiniekam.

PLĀVĒJA TĪRĪŠANA

Plāvēja pamatnes apakšdaļu ir jātīra pēc katras lietošanas reizes, jo uzkrājas zāles atgriezumī, lapas, dubļi un citi netīrumi.

Noņemiet sakrājušos zāli un lapas no piedziņas vārpstas virsas vai apkārtnes (tikai modelim LM2120E-SP) un motora ventilatora (neizmantojiet ūdeni). Noslaukiet plāvēju ar mitru lupatīņu.

ASMENS NOŅĒMŠANA/UZSTĀDĪŠANA

▲ BRĪDINĀJUMS: Vienmēr sargājiet rokas, valkājot bīlus cimdus vai aptinot asmens griezošās malas ar drānām vai citiem materiāliem, kamēr veicat plāvēja asmens apkopes darbus. Vienmēr izņemiet akumulatoru, ja veicat plāvēja apkopi vai transportēšanu.

- **Asmens noņemšana**
Pēc Zīm. T.

PIEZĪME: Ja skūrvē griežas kopā ar motora dzinēja vārpstu, kad atskrūvējat skrūvi, pagrieziet ventilatoru ar roku, lai izlīdzinātu atveres ventilatorā ar atverēm asmenī, un ievietojiet citu metāla stieni izlīdzinātājās atverēs (Zīm. U).

- **Asmens uzstādīšana**
Ievērojiet Zīm. V norādīto montāžas secību, novietojot ventilatora asmeni virzienā uz pamatni un apdrukāto asmens pusi virzienā uz āru, izlīdziniet atveres ventilatorā ar atverēm asmenī (Zīm. W) un pēc tam nostipriniet asmeni, kā parādīts Zīm. X.

Zīm. U un V detaļu aprakstu skatiet tālāk:

U-1	1. stabilizators	V-2	Iekšējais atloks
U-2	2. stabilizators	V-3	Asmens
U-3	14mm spēka skrūve	V-4	Ārējais atloks
V-1	Ventilators	V-5	Skrūve

PIEZĪME: Ieteicamais griezes moments asmens skrūves pievilkšanai ir 49-59Nm.

ZĀLES PĻĀVĒJA UZGLABĀŠANA

- No zāles pļāvēja izņemiet akumulatoru bloku un uzglabājiēt zāles pļāvēju vēsā, sausā un tīrā vietā. Neuzglabājiēt to korozīvu materiālu, piemēram, mēslojuma vai akmeņsāls tuvumā.
- Uzglabājiēt zāles pļāvēju sausā, vēsā, apjūmtā telpā, kur tam nevar piekļūt bērni.
- Neaplājiēt zāles pļāvēju ar plastikāta plēvi. Plastikāta pārklājamiē materiāli visapkārt zāles pļāvējam "iekapsulē" mitrumu, tādējiādi pakļaujot to rūšēšanai un korozijai.
- Zāles pļāvēju iespējams uzglabāt vertikāli vai horizontāli (Zīm. Y).

⚠ BRĪDINĀJUMS: Ja zāles pļāvējs sagāžas no vertikālas pozīcijas, tas var tikt bojāts, kā arī iespējams gūt miesas bojājumus. Ja zāles pļāvējs tiek uzglabāts vertikāli, vienmēr nodrošiniēt tā atrašanos stabilā pozīcijā un nepieļaujiet, ka tā tuvumā var nonākt bērni. Ja vien iespējams, uzglabājiēt novietojiet zāles pļāvēju horizontāli.

Vides aizsargāšana



Neizmetiet elektriskās iekārtas, uzlādes ierīci un baterijas/akumulatorus saimniecības atkritumos!

Saskaņā ar Eiropas Savienības Direktīvu 2012/19/ES un Direktīvu 2006/66/EK, vairs neizmantojamas elektriskās un elektroniskās iekārtas, kā arī bojāti vai izlietoti akumulatoru bloki/baterijas ir jāsavāc atsevišķi.

Ja elektriskās iekārtas tiek izmestas atkritumu poligonos vai izgāztuvēs, gruntsūdeņņos var nokļūt kaitīgas vielas, kas pēc tam var nokļūt pārtikas ķēdē, nodarot kaitējumu jūsu veselībai un labklājībai.

AK ATBILSTĪBAS DEKLARĀCIJA

Mēs, EGO EUROPE GMBH

Wahlwiesenstrasse 1, D-71711 Steinheim an der Murr
Deutschland

deklarējam, ka produkts - **56V litiņa jonu bezvadu zāles pļāvējs LM2120E/LM2120E-SP** - atbilst šādu direktīvu būtiskajām veselības un drošības prasībām:

2006/42/EK, 2014/30/ES, 2011/65/ES, 2000/14/EK

Standarti un tehniskās specifikācijas atsaucas uz:

EN 60335-1, EN 60335-2-77, EN 62233, EN 55014-1, EN 55014-2

	LM2120E	LM2120E-SP
Izmērītais skaņas jaudas līmenis:	89,9 dB(A)	89,5 dB(A)
Garantētais skaņas jaudas līmenis:	92 dB(A)	92 dB(A)

Atbilstības novērtēšanas procedūra veikta saskaņā ar Direktīvas 2000/14/EK VI pielikuma prasībām.

Paziņotā institūcija: Société Nationale de Certification et d'Homologation

Paziņotās institūcijas numurs:0499

Peter Melrose
„EGO Europe GmbH”
ģenerāldirektors

Dong Jianxun
Chervon kvalitātes nodaļas vadītājs

* (pilnvarotais CHERVON pārstāvis un atbildīgais par tehnisko dokumentāciju)

01/09/2016

PROBLĒMU NOVĒRŠANA

⚠ BRĪDINĀJUMS: Veicot zāles plāvēja apkopi vai to transportējot, vienmēr izņemiet drošības atslēgu un akumulatoru bloku. Veicot jebkāda veida apkopes darbus asmenim, vienmēr aizsargājiet rokas un lietojiet cimdus vai aptiniet asmens asās malas ar lupatām vai citu materiālu.

PROBLĒMA	CĒLONIS	RISINĀJUMS
Zāles plāvēju nav iespējams iedarbināt	<ul style="list-style-type: none"> ■ Zāles plāvēju nav iespējams iedarbināt. ■ Akumulatoru bloks ir pilnībā izlādējies. ■ Akumulators nav uzstādīts akumulatora nodalījumā. ■ Pārāk karsts akumulators vai zāles plāvēja elektriskā ķēde. (Zāles plāvēja jaudas indikators 10 sekundes iedegas oranžā krāsā.) ■ Sānu rokturi nav pilnībā izvilkti visā to garumā un bloķētāji nav nofiksēti pozīcijā. ■ Rokturis neatrodas vienā no divām darba pozīcijām. 	<ul style="list-style-type: none"> ■ Uzlādējiet akumulatoru bloku. ■ Pievienojiet akumulatoru plāvējam, piespiediet to, līdz izdzirdat klikšķi. ■ Ļaujiet akumulatoru blokam vai zāles plāvējam atdzist, līdz temperatūra pazeminās zem 67°C. ■ Pilnībā izvelciet rokturi un nofiksējiet abus bloķētājus. ■ Noregulējiet rokturi vienā no abām darba pozīcijām. ■ Noīrieties zāles plāvēja korpusu un pārīecinieties, ka asmens var brīvi griezties.
Zāles plāvējs plāuj nelīdzeni	<ul style="list-style-type: none"> ■ Asmens ir neass. ■ Nav pareizi iestatīts pļaušanas augstums. ■ Asmens ir salikts nepareizi. 	<ul style="list-style-type: none"> ■ Uzasiniet asmeni vai nomainiet to. ■ Paceliet korpusu augstākā pļaušanas pozīcijā. ■ Izjauciet asmeni, ievērojot šīs rokasgrāmatas sadaļā "ASMENS UZSTĀDĪŠANA" iekļautos norādījumus.
Pļaušanas laikā zāles plāvējs izslēdzas	<ul style="list-style-type: none"> ■ Akumulatoru bloks ir pilnībā izlādējies. ■ Zāles plāvēja pārslodze. ■ Zāles plāvēja korpusu ir aizsērējis ar zāli un gružiem. ■ Pārāk karsts akumulators vai zāles plāvēja elektriskā ķēde. (Zāles plāvēja jaudas indikators 10 sekundes iedegas oranžā krāsā.) ■ Sānu rokturis ir nedaudz iebīdījies, jo uz rokturi ir ticis vērsts spiediena spēks. 	<ul style="list-style-type: none"> ■ Uzlādējiet akumulatoru bloku. ■ Palieliniet pļaušanas augstumu vai palēniniet pļaušanas ātrumu. ■ Novērsiet aizsērējumu zāles plāvēja korpusā. Palieliniet pļaušanas augstumu vai pļaujiet šaurāku vālu. ■ Ļaujiet akumulatoru blokam vai zāles plāvējam atdzist, līdz temperatūra pazeminās zem 67°C. ■ Atlaidiet bloķētājus. Pilnībā izvelciet sānu rokturus un nofiksējiet bloķētājus atkārtoti.

PROBLĒMA	CĒLONIS	RISINĀJUMS
Zāles plāvējs kārtīgi neveic smalcināšanu	<ul style="list-style-type: none"> ■ Korpusa apakšpusei ir pielipušas slapjas zāles atliekas. ■ Zāles plāvējs ir iestatīts pārāk liela zāles daudzuma pļaušanai vienā reizē. 	<ul style="list-style-type: none"> ■ Pirms pļaušanas nogaidiet, līdz zāle ir nožuvusi. ■ Paceliet korpusu augstākā pļaušanas pozīcijā.
Pārmērīgas vibrācijas	<ul style="list-style-type: none"> ■ Vāļīgs pļaušanas asmens. ■ Nav nobalansēts pļaušanas asmens. ■ Griezējasmens ir saliekts. ■ Salocīta motora ass. 	<ul style="list-style-type: none"> ■ Pievelciet asmens skrūvi. ■ Nobalansējiet asmeni, ievērojot dotos norādījumus. ■ Nomainiet asmeni. ■ Sazinieties ar klientu apkalpošanas centru.
Nav iespējams nofiksēt roktura bloķētājus	<ul style="list-style-type: none"> ■ Nav pilnībā izvilkti sānu rokturi. 	<ul style="list-style-type: none"> ■ Pilnībā izvelciet sānu rokturus, pēc tam nofiksējiet bloķētājus.

GARANTIJA

EGO GARANTIJAS POLITIKA

Lūdzu, apmeklējiet tīmekļa vietni egopowerplus.com, kur pieejama pilna EGO Garantijas politikas noteikumu un nosacījumu versija.

KEES VAN DER SPEK
TUINMACHINES ★ STOLWIJK

ΔΙΑΒΑΣΤΕ ΟΛΕΣ ΤΙΣ ΟΔΗΓΙΕΣ!



ΔΙΑΒΑΣΤΕ ΤΟ ΕΓΧΕΙΡΙΔΙΟ ΧΡΗΣΗΣ

⚠ Υπολειπόμενοι κίνδυνοι! Άνθρωποι που φέρουν ηλεκτρονικές συσκευές όπως βηματοδότες πρέπει να συμβουλευούνται τους γιατρούς τους πριν τη χρήση αυτού του προϊόντος. Η λειτουργία ηλεκτρικών εξοπλισμών κοντά σε βηματοδότη μπορεί να προκαλέσει παρεμβολές ή βλάβη στον βηματοδότη.

⚠ ΠΡΟΕΙΔΟΠΟΙΗΣΗ: Για να διασφαλίσετε την ασφάλεια και την αξιοπιστία, όλες οι επισκευές πρέπει να διεξάγονται από εξειδικευμένο τεχνικό του σέρβις.

Προοριζόμενη χρήση & Προβλεπόμενη εσφαλμένη χρήση: Το προϊόν προορίζεται για την κοπή γρασιδιού μόνο σε οικιακούς κήπους. Δεν πρέπει να χρησιμοποιείται για την κοπή ασυνήθιστα ψηλού, στεγνού ή βρεγμένου γρασιδιού, π.χ. γρασίδι σε βοσκοτόπια ή για τον τεμαχισμό φύλλων. Το προϊόν πρέπει να χρησιμοποιείται αποκλειστικά για τη σκοπούμενη χρήση. Οποιαδήποτε άλλη χρήση θα χαρακτηριστεί ως περίπτωση κακής χρήσης.

ΣΥΜΒΟΛΑ ΑΣΦΑΛΕΙΑΣ

Ο σκοπός των συμβόλων ασφαλείας είναι να σας τραβήξουν την προσοχή για ενδεχόμενους κινδύνους. Προσέξτε και κατανοήστε τα σύμβολα ασφαλείας και τις επεξηγήσεις που τα συνοδεύουν. Οι προειδοποιήσεις συμβόλων από μόνες τους δεν εξαλείφουν κανέναν κίνδυνο. Οι οδηγίες και οι προειδοποιήσεις που παρέχουν δεν υποκαθιστούν τα μέτρα σωστής πρόληψης ατυχημάτων.

⚠ ΠΡΟΕΙΔΟΠΟΙΗΣΗ: Βεβαιωθείτε ότι έχετε διαβάσει και κατανοήσει όλες τις οδηγίες ασφαλείας στο παρόν Εγχειρίδιο χειριστή, συμπεριλαμβανομένων όλων των συμβόλων ασφαλείας όπως «**ΚΙΝΔΥΝΟΣ**», «**ΠΡΟΕΙΔΟΠΟΙΗΣΗ**» και «**ΠΡΟΣΟΧΗ**», προτού χρησιμοποιήσετε αυτό το εργαλείο. Η μη τήρηση όλων των παρακάτω οδηγιών μπορεί να οδηγήσει σε ηλεκτροπληξία, πυρκαγιά ή/και σοβαρό ατομικό τραυματισμό.

⚠ ΠΡΟΕΙΔΟΠΟΙΗΣΗ: Η λειτουργία ηλεκτρικών εργαλείων μπορεί να επιφέρει εκτόξευση ξένων αντικειμένων στα μάτια σας, με αποτέλεσμα σοβαρή βλάβη σε αυτά. Προτού ξεκινήσετε τη λειτουργία του ηλεκτρικού εργαλείου φοράτε πάντα προστατευτικά γυαλιά ή γυαλιά με πλευρική προστασία και εφόσον απαιτείται πλήρη προστατευτική προσωπίδα. Συστήνουμε μια προσωπίδα ασφαλείας ευρείας όρασης για χρήση πάνω από γυαλιά ή συνήθη προστατευτικά γυαλιά με πλευρική προστασία.

ΟΔΗΓΙΕΣ ΑΣΦΑΛΕΙΑΣ

Αυτή η σελίδα απεικονίζει και περιγράφει τα σύμβολα ασφαλείας που υπάρχουν ενδεχομένως σε αυτό το προϊόν. Διαβάστε, κατανοείτε και ακολουθείτε όλες τις οδηγίες στη μηχανή προτού προσπαθήσετε να διεξάγετε εργασίες συναρμολόγησης και λειτουργίας.

	<p>Ειδοποίηση ασφαλείας</p>	<p>Προφυλάξεις που σχετίζονται με την ασφάλειά σας.</p>
	<p>Φοράτε προστατευτικά γυαλιά</p>	<p>Φοράτε πάντοτε προστατευτικά γυαλιά ή γυαλιά ασφαλείας με πλευρική προστασία και πλήρη προστατευτική προσωπίδα κατά τη λειτουργία αυτού του προϊόντος.</p>
	<p>Διαβάστε το εγχειρίδιο χρήσης</p>	<p>Προκειμένου να μειωθεί ο κίνδυνος τραυματισμού, ο χρήστης πρέπει να διαβάσει και να κατανοήσει το εγχειρίδιο χρήσης προτού χρησιμοποιήσει αυτό το προϊόν.</p>

ΣΗΜΑΣΙΑ ΣΥΜΒΟΛΩΝ

ΣΥΜΒΟΛΟ ΕΙΔΟΠΟΙΗΣΗΣ ΑΣΦΑΛΕΙΑΣ: Υποδηλώνει **ΚΙΝΔΥΝΟ**, **ΠΡΟΕΙΔΟΠΟΙΗΣΗ** ή **ΠΡΟΣΟΧΗ**. Μπορεί να χρησιμοποιείται σε συνδυασμό με άλλα σύμβολα ή εικονογράμματα.

	Προσέχετε τις αιχμηρές λεπίδες.	Οι λεπίδες συνεχίζουν να περιστρέφονται αφού σβήσει το μοτέρ - Απομακρύνετε τη συσκευή απενεργοποίησης πριν τη συντήρηση. Απενεργοποιήστε και απομακρύνετε την αποσπώμενη συστοιχία μπαταριών (ή τη συσκευή απενεργοποίησης) πριν από ρυθμίσεις ή καθαρισμό.
	Διατηρείτε μακριά τους παρευρισκομένους	Εξασφαλίστε ότι άλλα άτομα ή κατοικίδια παραμένου τουλάχιστον 30 μ. μακριά από το μηχάνημα όταν αυτό χρησιμοποιείται.
	Κατασκευή Κλάσης II	Διπλά μονωμένη κατασκευή.
IPX4	Σύμβολο CE	Προστασία έναντι διείσδυσης νερού, βαθμός 4
V	Volt	Τάση
A	Amperes	Ρεύμα
Hz	Hertz	Συχνότητα (κύκλοι ανά δευτερόλεπτο)
W	Watt	Ισχύς
min	Λεπτά	Χρόνος
	Εναλλασσόμενο ρεύμα	Τύπος ρεύματος
	Συνεχές ρεύμα	Τύπος ή χαρακτηριστικό του ρεύματος
n_0	Ταχύτητα χωρίς φορτίο	Ταχύτητα περιστροφής, χωρίς φορτίο
... /min	Ανά λεπτό	Στροφές ανά λεπτό

μπορεί να προκαλέσει τραυματισμό στα χέρια και πόδια και να εκτοξεύσει αντικείμενα. Εάν δεν τηρηθούν όλες οι οδηγίες ασφαλείας μπορεί να συμβούν σοβαροί τραυματισμοί ή θάνατος.

⚠ ΠΡΟΕΙΔΟΠΟΙΗΣΗ: Όταν χρησιμοποιείτε ασύρματα χλοοκοπτικά μηχανήματα θα πρέπει πάντα να λαμβάνετε τις βασικές προφυλάξεις ασφαλείας, έτσι ώστε να ελαχιστοποιηθεί ο κίνδυνος πυρκαγιάς, ηλεκτροπληξίας και σωματικών βλαβών.

ΣΗΜΑΝΤΙΚΟ

ΔΙΑΒΑΣΤΕ ΠΡΟΣΕΚΤΙΚΑ ΠΡΙΝ ΑΠΟ ΤΗ ΧΡΗΣΗ ΦΥΛΑΞΤΕ ΤΟ ΓΙΑ ΜΕΛΛΟΝΤΙΚΗ ΧΡΗΣΗ

ΚΑΝΟΝΕΣ ΑΣΦΑΛΕΙΑΣ ΓΙΑ ΑΣΥΡΜΑΤΕΣ ΧΛΟΟΚΟΠΤΙΚΕΣ ΜΗΧΑΝΕΣ:

ΠΡΟΣΟΧΗ-ΜΗΝ ΑΓΓΙΖΕΤΕ ΤΗΝ ΠΕΡΙΣΤΡΕΦΟΜΕΝΗ ΛΕΠΙΔΑ!

ΕΚΠΑΙΔΕΥΣΗ

- Διαβάστε με προσοχή όλες τις οδηγίες. Εξοικειωθείτε με τα χειριστήρια και τη σωστή χρήση του μηχανήματος.
- Μην επιτρέπετε ποτέ σε παιδιά ή άτομα μη εξοικειωμένα με τις παρούσες οδηγίες να χρησιμοποιούν τη συσκευή. Εγχώριες διατάξεις είναι πιθανό να θέτουν ηλικιακούς περιορισμούς για τη χρήση του μηχανήματος.
- Μην κουρευείτε ποτέ όταν υπάρχουν κοντά άνθρωποι, ιδιαίτερα παιδιά ή κατοικίδια ζώα.
- Ο χρήστης είναι αποκλειστικά υπεύθυνος για τυχόν ατυχήματα ή κινδύνους για άλλα άτομα ή την περιουσία τους.

ΠΡΟΕΤΟΙΜΑΣΙΑ

- Όταν χρησιμοποιείτε τη συσκευή, φοράτε πάντοτε γερά παπούτσια και μακρύ παντελόνι.
- Μη χρησιμοποιήσετε τη συσκευή ζητόλητη ή όταν φοράτε ανοιχτά σανδάλια. Αποφεύγετε να φοράτε φαρδιά ρούχα και αντικείμενα που κρέμονται ή γραβάτες.
- Επιθεωρήστε διεξοδικά τον χώρο στον οποίο θα χρησιμοποιηθεί η συσκευή και απομακρύνετε πέτρες, κλαδιά, σύρματα, κόκαλα και άλλα ξένα αντικείμενα.
- Πριν από τη χρήση, να επιθεωρείτε πάντα οπτικά για να ελέγχετε αν οι λεπίδες, οι βίδες των λεπίδων και το εξάρτημα κοπής δεν έχουν υποστεί φθορά ή βλάβη. Να αντικαθιστάτε φθαρμένες ή κατεστραμμένες λεπίδες και βίδες ταυτόχρονα ώστε να διασφαλίζετε την ισορροπία. Αντικαθιστάτε τις κατεστραμμένες ή δυσανάγνωστες ετικέτες.

ΛΕΙΤΟΥΡΓΙΑ

- Κουρευτείτε μόνο με το φως της ημέρας ή με καλό τεχνητό φωτισμό.

ΚΑΝΟΝΕΣ ΑΣΦΑΛΕΙΑΣ ΓΙΑ ΑΣΥΡΜΑΤΕΣ ΧΛΟΟΚΟΠΤΙΚΕΣ ΜΗΧΑΝΕΣ

⚠ ΚΙΝΔΥΝΟΣ: Αυτό το μηχάνημα κατασκευάστηκε για να λειτουργεί σύμφωνα με τους κανόνες ασφαλούς λειτουργίας που περιλαμβάνονται στο παρόν εγχειρίδιο. Όπως με οποιοδήποτε τύπο εξοπλισμού ισχύος, η απροσεξία ή λάθη από μέρους του χειριστή μπορεί να επιφέρουν σοβαρό τραυματισμό. Το παρόν μηχάνημα

- Να αποφεύγετε τη λειτουργία της συσκευής σε υγρό χόρτο όταν αυτό είναι δυνατό.
- Πατότε πάντα σταθερά πάνω σε επικλινές έδαφος.
- Περπατάτε, μην τρέχετε ποτέ.
- Όταν χρησιμοποιείτε τροχοφόρα περιστροφικά μηχανήματα, κόβετε το χόρτο κατά μήκος του κεκλιμένου εδάφους, ποτέ προς τα πάνω ή κάτω.
- Να είστε ιδιαίτερα προσεκτικοί όταν αλλάζετε κατεύθυνση στις πλαγιές.
- Μην κουρεύετε σε πολύ απότομο επικλινές έδαφος.
- Προσέχετε ιδιαίτερα όταν κινείτε τη συσκευή προς τα πίσω ή την τραβάτε προς το μέρος σας.
- Σταματάτε τη (τις) λεπίδα(ες) αν χρειάζεται να γείρετε τη συσκευή για να τη μεταφέρετε όταν διασχίζετε άλλες επιφάνειες εκτός από χόρτο, και όταν μεταφέρετε τη συσκευή προς και από την περιοχή κουρέματος.
- Μη λειτουργείτε ποτέ τη συσκευή με ελαττωματικά προστατευτικά ή θωρακίσεις, ή χωρίς συσκευές ασφαλείας, π.χ. αν δεν βρίσκεται στη θέση τους εκτροπείς ή/και συλλέκτες γρασιδιού.
- Ανάψτε τον κινητήρα σύμφωνα με τις οδηγίες και έχοντας τα πόδια σας αρκετά μακριά από τη (τις) λεπίδα(ες).
- Μη γέρνετε τη συσκευή όταν ξεκινάτε το μοτέρ, εκτός αν χρειάζεται να τη γείρετε για το ξεκίνημα. Σε αυτήν την περίπτωση, μην τη γέρνετε περισσότερο απ' όση είναι απολύτως απαραίτητο και ανασκώνετε μόνο το τμήμα το οποίο βρίσκεται μακριά από τον χειριστή. Να διασφαλίζετε πάντα ότι και τα δύο χέρια βρίσκονται στη θέση λειτουργίας προτού γυρίσετε τη συσκευή στο έδαφος.
- Μην ξεκινήσετε το μοτέρ αν στέκεστε μπροστά στο άνοιγμα εκκένωσης.
- Μη βάζετε τα χέρια ή τα πόδια σας κοντά ή κάτω από τα περιστρεφόμενα εξαρτήματα. Σε ότι αφορά τα περιστρεφόμενα χλοοκοπτικά μηχανήματα, παραμένετε πάντα μακριά από το άνοιγμα απόρριψης.
- Ποτέ μην σηκώνετε ή μεταφέρετε μια συσκευή με τον κινητήρα σε λειτουργία.
- Απενεργοποιήστε και απομακρύνετε την αποσπώμενη συστοιχία μπαταριών (ή συσκευή απενεργοποίησης) και εξασφαλίστε ότι όλα τα κινούμενα τμήματα έχουν σταματήσει εντελώς, πριν από ρύθμιση ή καθαρισμό:
 - Όταν απομακρύνετε από το μηχανήμα,
 - Πριν καθαρίσετε ένα μπλοκάρισμα ή αποφράξετε τη χοάνη εκφόρτωσης,
 - Πριν κάνετε έλεγχο, καθαρισμό ή άλλη εργασία πάνω στη συσκευή,
 - Σε περίπτωση που χτυπήσετε σε ξένο αντικείμενο. Επιθεωρήστε τη συσκευή για ζημιές και κάντε τις απαιτούμενες επισκευές.

- Εάν η συσκευή αρχίσει να δονείται ασυνήθιστα (ελέγξτε αμέσως):
 - Ελέγξτε για ζημιές,
 - Αντικαταστήστε ή επισκευάστε τυχόν εξαρτήματα που έχουν πάθει βλάβη,
 - Ελέγξτε και σφίξτε τυχόν χαλαρά εξαρτήματα.

ΣΥΝΤΗΡΗΣΗ ΚΑΙ ΑΠΟΘΗΚΕΥΣΗ

- Να είστε προσεκτικοί κατά τη ρύθμιση του μηχανήματος ώστε να μην εγκλωβιστούν τα δάχτυλά σας ανάμεσα στις κινούμενες λεπίδες κοπής και τα σταθερά εξαρτήματα της συσκευής.
- Διατηρείτε όλα τα φαξμάδια, τις βίδες και τα μπουλόνια καλά σφιγμένα ώστε να διασφαλίσετε ότι η συσκευή λειτουργεί με ασφάλεια.
- Ελέγχετε το κλείθρο του γκαζόν συχνά για φθορές ή απώλειες.
- Αντικαθιστάτε τα φθαρμένα ή χαλασμένα εξαρτήματα για λόγους ασφαλείας.
- Ο καθαρισμός και η συντήρηση που αφορούν τον χρήστη δεν πρέπει να γίνονται από παιδιά χωρίς επίτηρηση.
- Όταν κάνετε σέρβις στις λεπίδες έχετε υπόψη ότι ακόμη κι αν η ισχύς είναι απενεργοποιημένη, οι λεπίδες μπορεί να συνεχίζουν να κινούνται.
- Για τα περιστρεφόμενα χλοοκοπτικά μηχανήματα, εξασφαλίστε ότι τα εξαρτήματα κοπής θα αντικαθίστανται μόνο με εξαρτήματα σωστού τύπου.

ΠΡΟΣΩΠΙΚΗ ΑΣΦΑΛΕΙΑ

Μπορεί να συμβούν τραγικά ατυχήματα εάν ο χειριστής δεν είναι σε εγρήγορση για την παρουσία παιδιών. Τα παιδιά έλκονται συχνά από χλοοκοπτικά μηχανήματα και από τη δραστηριότητά τους. Δεν κατανοούν τους κινδύνους. Ποτέ μην υποθέτετε ότι τα παιδιά θα μείνουν στο ίδιο σημείο όπου τα αφήσατε.

- Κρατάτε τα παιδιά έξω από την περιοχή κουρέματος υπό την προσεκτική φροντίδα ενός υπεύθυνου ενήλικα, εκτός του χειριστή μηχανήματος.
- Να είστε σε επαγρύπνηση και να απενεργοποιείτε το χλοοκοπτικό εάν κάποιο παιδί εισέλθει στην περιοχή.
- Να είστε ιδιαίτερα προσεκτικοί όταν πλησιάζετε σε τυφλές γυνίες, εισόδους, σε θάμνους, δέντρα ή σε άλλα αντικείμενα, τα οποία μπορεί να μπλοκάρουν την οπτική επαφή με ένα παιδί που μπορεί να βρεθεί μπροστά.
- Τα παιδιά πρέπει να επιβλέπονται ώστε να εξασφαλιστεί ότι δεν θα παίξουν με το χλοοκοπτικό μηχανήμα.

- Πάντα απενεργοποιείτε το χλοοκοπτικό μηχανήμα όταν αφαιρείτε τη συστοιχία μπαταριών από το εργαλείο. Σταματάτε τη (τις) λεπίδα(ες) αν χρειάζεται να γείρετε τη συσκευή για να τη μεταφέρετε όταν διασχίζετε άλλες επιφάνειες εκτός από χόρτο, και όταν μεταφέρετε τη συσκευή προς και από την περιοχή κουρέματος.

ΛΕΙΤΟΥΡΓΙΑ

ΓΕΝΙΚΗ ΛΕΙΤΟΥΡΓΙΑ:

- Διαβάστε προσεκτικά ολόκληρο το εγχειρίδιο χειριστή προτού προσπαθήσετε να συναρμολογήσετε αυτό το μηχανήμα. Διαβάζετε, κατανοείτε και ακολουθείτε όλες τις οδηγίες στη μηχανή και στα εγχειρίδια προτού ξεκινήσετε τη λειτουργία. Εξοικειωθείτε πλήρως με τα χειριστήρια και τη σωστή χρήση αυτού του μηχανήματος προτού το θέσετε σε λειτουργία. Φυλάξτε αυτό το εγχειρίδιο σε έναν ασφαλή χώρο για μελλοντική και τακτική αναφορά και για την παραγγελία ανταλλακτικών.
- Χρησιμοποιείτε τη σωστή συσκευή – Μη χρησιμοποιείτε το χλοοκοπτικό μηχανήμα για άλλη εργασία από την προοριζόμενη.
- Μην προεκτείνετε – Πατάτε πάντα σταθερά και διατηρείτε την ισορροπία σας.
- Αντικείμενα που κολλάνε στο χλοοκοπτικό μηχανήμα μπορεί να προκαλέσουν σοβαρούς τραυματισμούς σε άτομα. Το γρασίδι πρέπει πάντα να ελέγχεται προσεκτικά και να καθαρίζεται από όλα τα αντικείμενα πριν από κάθε κοπή.
- Πριν από και όσο κινείστε προς τα πίσω, κοιτάτε πίσω και κάτω για την ύπαρξη μικρών παιδιών και άλλων ατόμων.
- Αυτό το μηχανήμα δεν είναι παιχνίδι. Για το σκοπό αυτό να είστε εξαιρετικά προσεκτικοί πάντα. Η μονάδα σας έχει σχεδιαστεί για να διεξάγει μια εργασία: το κούρεμα γρασιδιού. Μην την χρησιμοποιείτε για οποιοδήποτε άλλο σκοπό.
- Μη ζορίζετε το χλοοκοπτικό μηχανήμα – Η εργασία θα γίνει καλύτερα και με περισσότερη ασφάλεια στον ρυθμό για τον οποίο έχει σχεδιαστεί.
- Πριν από τη χρήση, να επιθεωρείτε πάντα οπτικά για να ελέγχετε αν οι λεπίδες, οι βίδες των λεπίδων και το εξάρτημα κοπής δεν έχουν υποστεί φθορά ή βλάβη. Αντικαθιστάτε φθαρμένες λεπίδες ή με ζιμιές, μπτολόνια και οποιαδήποτε άλλα στοιχεία ταυτόχρονα, ώστε να διατηρείτε την ισορροπία. Αντικαθιστάτε τις κατεστραμμένες ή δυσανάγνωστες ετικέτες.
- Προσέχετε ιδιαίτερα όταν κινείτε τη συσκευή προς τα πίσω ή την τραβάτε προς το μέρος σας.
- Ελέγχετε προσεκτικά τον τομέα όπου χρησιμοποιείται ο εξοπλισμός. Απομακρύνετε όλες τις πέτρες, κλαδιά, σύρματα, παιχνίδια και άλλα ξένα αντικείμενα, στα οποία θα μπορούσατε να σκοντάψετε ή που θα μπορούσαν να τραβηχτούν και πεταχτούν από τη λεπίδα. Αντικείμενα που πετάνονται μπορεί να προκαλέσουν σοβαρό ατομικό τραυματισμό. Σχεδιάζετε το μοτίβο κουρέματος προς αποφυγή εκτόξευσης υλικού σε δρόμους, πεζοδρόμια, παρευρισκόμενους και παρόμοια. Επίσης αποφεύετε την εκτόξευση υλικών σε τοίχους ή εμπόδια τα οποία μπορεί να προκαλέσουν εκτόξευση υλικών και εξοστρακισμό τους στον χειριστή.
- Προς αποφυγή επαφής της λεπίδας ή τραυματισμού από αντικείμενα που πετιούνται, παραμένετε στη ζώνη χειριστή πίσω από τις λαβές και διατηρείτε παιδιά, παρευρισκόμενους, βοηθούς και κατοικίδια τουλάχιστον 30 μ. μακριά από το χλοοκοπτικό μηχανήμα ενώ λειτουργεί. Εάν εμφανιστεί κάποιος στην περιοχή, σταματήστε το μηχανήμα.
- Για την προστασία των ματιών σας φοράτε πάντα γυαλιά προστασίας ή ασφαλείας κατά τη διάρκεια της λειτουργίας και ενώ διεξάγετε ρύθμιση ή επίσκεψη. Αντικείμενα που πετιούνται και εξοστρακίζονται μπορεί να προκαλέσουν σοβαρό τραυματισμό στα μάτια. Φοράτε πάντα μάσκα προσώπου ή σκόνης αν η εργασία προκαλεί πολύ σκόνη.
- Ντύνεστε κατάλληλα – Μη φοράτε φαρδιά ρούχα ή κοσμήματα. Είναι πιθανά να εγκλωβιστούν στα κινούμενα εξαρτήματα. Όταν εργάζεστε σε εξωτερικούς χώρους συνιστάται να χρησιμοποιείτε λαστιχένια γάντια και παπούτσια. Φοράτε ανθεκτικά υποδήματα εργασίας με σκληρές σόλες και στενά παντελόνια και μπλούζα. Συστήνονται μπλούζες και παντελόνια που καλύπτουν τα μπράτσα και τα πόδια και υποδήματα με μύτη από χάλυβα. Ποτέ μη χειρίζεστε αυτό το μηχανήμα ζυπόλυτοι, με συνάδalia, ολισθηρά ή ελαφριά υποδήματα (π.χ. πάνινα).
- Μην τοποθετείτε τα χέρια ή τα πόδια κοντά στα περιστρεφόμενα τμήματα ή κάτω από τη βάση κοπής. Η επαφή με τη λεπίδα μπορεί να προκαλέσει τραυματισμό στα χέρια και πόδια.
- Εάν λείπει ή έχει χαλάσει ένα κάλυμμα εξαγωγής μπορεί να προκληθεί επαφή με τη λεπίδα ή τραυματισμό από αντικείμενα που πετιούνται.
- Πολλοί τραυματισμοί συμβαίνουν ως αποτέλεσμα κίνησης του χλοοκοπτικού μηχανήματος πάνω από τα πόδια στην περίπτωση πτώσης εάν γλιστρήσετε ή σκοντάψετε. Σε περίπτωση πτώσης μην κρατάτε από το χλοοκοπτικό μηχανήμα. Αποδνεμώστε αμέσως τη λαβή.
- Ποτέ μην τραβάτε το χλοοκοπτικό μηχανήμα προς εσάς ενώ περπατάτε. Εάν πρέπει να αποσύρτε το χλοοκοπτικό μηχανήμα μακριά από έναν τοίχο ή εμπόδιο, κοιτάξτε πρώτα κάτω και πίσω ώστε να αποφύγετε να σκοντάψετε και κατόπιν ακολουθήστε αυτά τα βήματα:
 - Κινηθείτε προς τα πίσω από το χλοοκοπτικό μηχανήμα για να εκτείνετε πλήρως τους βραχιόνες σας.
 - Βεβαιωθείτε ότι έχετε καλή ισορροπία και στέκεστε με ασφάλεια.

- Τραβήξτε πίσω αργά το μηχανήμα, όχι περισσότερο από το μισή διαδρομή προς εσάς.
- Επαναλάβετε αυτά τα βήματα όπως απαιτείται.
- Μη χρησιμοποιείτε τη χλοοκοπτική μηχανή εάν είστε υπό την επήρεια αλκοόλ ή φαρμάκων.
- Μη λειτουργείτε ποτέ τη συσκευή με ελαττωματικά προστατευτικά ή θωρακίσεις, ή χωρίς συσκευές ασφαλείας, π.χ. αν δεν βρίσκονται στη θέση τους εκτροπείς ή/και συλλέκτες γρασιδιού.
- Να είστε σε εγρήγορση και να προσέχετε τι κάνετε. Χρησιμοποιείτε κοινή λογική. Μη λειτουργείτε το χλοοκοπτικό μηχανήμα όταν είστε κουρασμένοι.
- Η λαβή χειρισμού του μοτέρ/της λεπίδας είναι μια συσκευή ασφαλείας. Ποτέ μην προσπαθείτε να παρακάμψετε τη λειτουργία της. Εάν το κάνετε αυτό η συσκευή ασφαλείας θα θεθεί εκτός λειτουργίας και μπορεί να προκύψει ατομικός τραυματισμός μέσω επαφής με την περιστρεφόμενη λεπίδα. Η λαβή ελέγχου του μοτέρ/της λεπίδας πρέπει να λειτουργεί άνετα και στις δύο κατευθύνσεις και να επιστρέφει αυτόματα στην θέση αποσύμπλεξης όταν αποδεσμευτεί.
- Αποφεύγετε επικίνδυνα περιβάλλοντα – Μη χρησιμοποιείτε χλοοκοπτικά μηχανήματα σε βρεγμένες ή υγρές τοποθεσίες.
- Μη χρησιμοποιείτε στη βροχή.
- Πατάτε πάντα σταθερά. Ολίσθηση και πτώση μπορούν να προκαλέσουν σοβαρό ατομικό τραυματισμό. Εάν αισθάνεστε ότι δεν στέκεστε καλά, αποδεσμεύστε αμέσως τη λαβή ελέγχου μοτέρ/λεπίδας και η λεπίδα θα σταματήσει να περιστρέφεται εντός τριών δευτερολέπτων.
- Όταν περνάτε από οδούς, διαδρόμους ή δρόμους με αμμοχάλικο σταματάτε τη λεπίδα.
- Εάν ο εξοπλισμός αρχίσει να δονείται μη φυσιολογικά, σταματήστε τον κινητήρα και ελέγξτε αμέσως την αιτία. Οι κραδασμοί είναι συνήθως προειδοποίηση προβλημάτων.
 - Ελέγξτε για ζημιές,
 - Αντικαταστήστε ή επισκευάστε τυχόν εξαρτήματα που έχουν πάθει βλάβη και που αντικαθίστανται από τον χρήστη.
 - Ελέγξτε και σφίξτε τυχόν χαλαρά εξαρτήματα.
- Ποτέ μη χειρίζεστε το χλοοκοπτικό μηχανήμα εάν το σωστό πίσω προστατευτικό, το κάλυμμα εξαγωγής, ο σκάος γρασιδιού, το ένθεμα κάλυψης εδάφους, η πλευρική χοάνη εξαγωγής, η λαβή ελέγχου μοτέρ/λεπίδας ή άλλες προστατευτικές συσκευές ασφαλείας δεν είναι τοποθετημένα στη θέση τους και έχουν δυνατότητα λειτουργίας. Ποτέ μη χειρίζεστε το χλοοκοπτικό μηχανήμα με φαρμαμένες συσκευές ασφαλείας. Σε αντίθετη περίπτωση μπορεί να υπάρξει σοβαρός τραυματισμός.

- Εάν προκύψουν καταστάσεις που δεν καλύπτονται στο παρόν εγχειρίδιο, να είστε προσεκτικοί και να κρίνετε σωστά. Επικοινωνήστε με την εξυπηρέτηση πελατών της EGO για βοήθεια.
- Χρησιμοποιείτε μόνο με συστοιχίες μπαταριών και φορτιστές που αναφέρονται παρακάτω:

ΣΥΣΤΟΙΧΙΑ ΜΠΑΤΑΡΙΩΝ	ΦΟΡΤΙΣΤΗΣ
BA1120E, BA2240E, BA2800, BA3360, BA4200	CH5500E, CH2100E

- Η συστοιχία μπαταριών πρέπει να απομακρυνθεί από τη συσκευή πριν την απόρριψη της τελευταίας.
- Η μπαταρία πρέπει να απορρίπτεται με ασφάλεια.

ΛΕΙΤΟΥΡΓΙΑ ΣΕ ΕΠΙΦΑΝΕΙΑ ΜΕ ΚΛΙΣΗ:

Τα εδάφη με κλίση αποτελούν σημαντικό παράγοντα σε σχέση με ατυχήματα ολίσθησης και πτώσης, τα οποία μπορεί να οδηγήσουν σε σοβαρούς τραυματισμούς. Πατάτε πάντα σταθερά πάνω σε επικλινές έδαφος. Η χρήση σε εδάφη με κλίση απαιτεί επιπλέον προσοχή. Εάν αισθάνεστε αστάθεια σε επιφάνεια με κλίση, μην διεξάγετε κοπή.

Τι πρέπει να κάνετε:

- Σε επικλινές έδαφος, κουρεύετε οριζόντια, ποτέ μην κουρεύετε προς τα πάνω ή κάτω. Να είστε ιδιαίτερα προσεκτικοί όταν αλλάζετε κατεύθυνση στις πλαγιές.
- Προσέχετε οπές, αυλάκια, πέτρες, κρυμμένα αντικείμενα ή προεξοχές από τα οποία μπορεί να γλιστρήσετε ή σκοντάψετε. Το ψηλό γρασίδι μπορεί να κρύβει τα εμπόδια.

Τι δεν πρέπει να κάνετε:

- Μην κουρεύετε κοντά σε απότομες κεκλιμένες επιφάνειες, χαντάκια ή σε αναχώματα. Μπορεί να χάσετε τη σωστή στήριξη ή την ισορροπία σας.
- Μην κουρεύετε σε κεκλιμένες επιφάνειες μεγαλύτερες από 15 μοίρες.
- Μην κουρεύετε το βρεγμένο γρασίδι. Ασταθές πάτημα μπορεί να σας κάνει να γλιστρήσετε.

ΣΕΡΒΙΣ

⚠️ ΠΡΟΕΙΔΟΠΟΙΗΣΗ: Τα εξαρτήματα σάκου γρασιδιού, το κάλυμμα εξαγωγής, η πλευρική χοάνη εξαγωγής, το ένθεμα κάλυψης εδάφους και το πίσω προστατευτικό υπόκεινται σε φθορές και ζημιές, τα οποία θα μπορούσαν να εκθέσουν κινούμενα τμήματα ή να προκαλέσουν εκτόξευση αντικειμένων και να αυξήσουν τον κίνδυνο τραυματισμού. Για την προστασία της ασφαλείας, ελέγχετε συχνά όλα τα στοιχεία και αντικαθιστάτε φθαρμένα στοιχεία αμέσως χρησιμοποιώντας ίδια ανταλλακτικά που

αναφέρονται στο παρόν εγχειρίδιο. Επικοινωνήστε με το σέρβις πελατών της EGO ή με το πλησιέστερο κέντρο σέρβις της EGO. Οι επισκευές και οι αντικαταστάσεις πρέπει να διεξάγονται από εξειδικευμένο τεχνικό του σέρβις!

- Εάν ο ενσωματωμένος στο χλοοκοπτικό μηχανήμα διακόπτης προστασίας υπερφόρτωσης ενεργοποιείται συχνά, επικοινωνήστε με το σέρβις πελατών της EGO ή με το πλησιέστερο κέντρο σέρβις της EGO.
- Μην πλένετε το χλοοκοπτικό μηχανήμα με λάστιχο. Αποφεύγετε να εισέρχεται νερό στον κινητήρα και στις ηλεκτρικές συνδέσεις.
- Απομακρύνετε το κλειδί και αποθηκεύετε το αδρανές χλοοκοπτικό μηχανήμα σε εσωτερικό χώρο, όταν δεν χρησιμοποιείται. Αφήνετε τον κινητήρα να κρυώσει πριν αποθηκεύσετε τη συσκευή σε κλειστό χώρο. Το χλοοκοπτικό μηχανήμα πρέπει να αποθηκεύεται σε στεγνό ή κλειδωμένο χώρο σε ψηλό σημείο εκτός εμβέλειας των παιδιών.
- Όταν κάνετε συντήρηση του εργαλείου, χρησιμοποιείτε μόνο τα ίδια ανταλλακτικά που αναφέρονται στο παρόν εγχειρίδιο. Η χρήση εξαρτημάτων που δεν πληρούν τις αρχικές προδιαγραφές εξοπλισμού μπορεί να οδηγήσει σε μειωμένη απόδοση και να θέσει σε κίνδυνο την ασφάλεια.
- Αφαιρέστε ή αποσυνδέστε τη συστοιχία μπαταριών πριν το σέρβις, τον καθαρισμό ή την απομάκρυνση υλικών από το χλοοκοπτικό μηχανήμα.
- Ακολουθείτε τις οδηγίες σχετικά με την αλλαγή αεζουσάρ.
- Διατηρείτε τις λαβές στεγνές, καθαρές και απομακρύνετε από αυτές τυχόν λάδια και γράσο.
- Για τη μείωση κινδύνου πυρκαγιάς, διατηρείτε το κάλυμμα μοτέρ ελεύθερο από γρασίδι, φύλλα και συσσωρεύσεις υπολειμμάτων.
- Ελέγχετε τη λεπίδα και τα μπουλόνια τοποθέτησης κινητήρα ανά τακτά χρονικά διαστήματα για σωστό σφίξιμο. Επίσης ελέγχετε οπτικά τη λεπίδα για ζημιές (π.χ. λύγισμα, ρωγμές και φθορές). Αντικαθιστάτε τη λεπίδα μόνο με ακριβώς την ίδια λεπίδα αντικατάστασης που αναφέρεται στο εγχειρίδιο.
- Συντηρείτε το χλοοκοπτικό μηχανήμα με φροντίδα - Διατηρείτε τη λεπίδα χλοοκοπτικού αιχμηρή και καθαρή για την καλύτερη και ασφαλέστερη απόδοση. Οι λεπίδες χλοοκοπτικού μηχανήματος είναι αιχμηρές και μπορούν να κόβουν. Τυλίγετε τη λεπίδα ή φοράτε γάντια και να είστε ιδιαίτερα προσεκτικοί όταν τη συντηρείτε.
- Ποτέ μην απομακρύνετε ή σκαλίζετε τις συσκευές ασφαλείας. Ελέγχετε την σωστή τους λειτουργία τακτικά. Ποτέ μην παρεμβαίνετε στην προοριζόμενη

λειτουργία μιας συσκευής ασφαλείας ή μην μειώνετε την παρεχόμενη προστασία μιας συσκευής ασφαλείας.

- Σταματάτε πάντα το μοτέρ προτού κάνετε ρυθμίσεις σε έναν τροχό ή στο ύψος κοπής.
- Μετά από χτύπημα σε ξένο αντικείμενο, σταματήστε το μοτέρ, αφαιρέστε το κλειδί και ελέγξτε προσεκτικά το χλοοκοπτικό μηχανήμα για οποιοδήποτε ζημιά. Επισκευάστε τη ζημιά προτού θέσετε σε λειτουργία το χλοοκοπτικό μηχανήμα.
- Διατηρείτε ή αντικαθιστάτε τις ετικέτες ασφαλείας και οδηγιών, όπως απαιτείται. Επικοινωνήστε με το σέρβις πελατών της EGO ή με το πλησιέστερο κέντρο σέρβις της EGO. Οι επισκευές και οι αντικαταστάσεις πρέπει να διεξάγονται από εξειδικευμένο τεχνικό του σέρβις!
- **ΦΥΛΑΞΤΕ ΑΥΤΕΣ ΤΙΣ ΟΔΗΓΙΕΣ.** Ανατρέχετε σε αυτές συχνά και χρησιμοποιείτε τις για να εκπαιδευτείτε άλλους που μπορεί να χρησιμοποιήσουν το εργαλείο. Εάν δανείσετε αυτό το εργαλείο σε κάποιον άλλο, δανείστε και αυτές τις οδηγίες, ώστε να εμποδιστεί εσφαλμένη χρήση του προϊόντος και πιθανό τραυματισμό.

ΧΡΗΣΗ ΚΑΙ ΦΡΟΝΤΙΔΑ ΤΗΣ ΜΠΑΤΑΡΙΑΣ

- Για τη διατήρηση των φυσικών πόρων, ανακυκλώνετε ή απορρίπτετε τις μπαταρίες σωστά. Αυτό το προϊόν περιέχει μπαταρίες λιθίου - ιόντων. Η τοπική ή εθνική νομοθεσία απαγορεύει την απόρριψη μπαταριών λιθίου - ιόντων στα κανονικά απορρίμματα. Συμβουλευτείτε τον δήμο σας για πληροφορίες σχετικά με τις διαθέσιμες επιλογές ανακύκλωσης ή/και απόρριψης.
- Κατά την αφαίρεση της συστοιχίας μπαταριών για την απόρριψη ή ανακύκλωση, καλύψτε τους ακροδέκτες της συστοιχίας μπαταριών με αυτοκόλλητη ταινία μεγάλης αντοχής. Μην προσπαθείτε να καταστρέψετε ή αποσυναρμολογήσετε τη συστοιχία μπαταριών ή να απομακρύνετε κάποια από τα στοιχεία της. Οι μπαταρίες λιθίου - ιόντων πρέπει να ανακυκλώνονται ή να απορρίπτονται σωστά. Επίσης ποτέ μην αγγίζετε τους ακροδέκτες με μεταλλικά αντικείμενα ή/και με τμήματα του σώματος καθώς μπορεί να προκύψει βραχυκύκλωμα. Κρατάτε μακριά από παιδιά. Μη συμμόρφωση με αυτές τις προειδοποιήσεις μπορεί να επιφέρει πυρκαγιά ή/και σοβαρό τραυματισμό.
- **ΣΕ ΣΥΝΘΗΚΕΣ ΚΑΚΗΣ ΧΡΗΣΗΣ, ΜΠΟΡΕΙ ΝΑ ΕΚΤΟΣΕΥΤΟΥΝ ΥΓΡΑ ΑΠΟ ΤΗΝ ΜΠΑΤΑΡΙΑ. ΝΑ ΑΠΟΦΕΥΓΕΤΕ ΤΗΝ ΕΠΑΦΗ ΜΕ ΑΥΤΑ. ΣΕ ΠΕΡΙΠΤΩΣΗ ΠΟΥ ΥΠΑΡΞΕΙ ΕΠΑΦΗ ΚΑΤΑ ΛΑΘΟΣ, ΞΕΠΛΥΝΕΤΕ ΜΕ ΝΕΡΟ. ΑΝ ΤΟ ΥΓΡΟ ΕΡΘΕΙ ΣΕ ΕΠΑΦΗ ΜΕ ΤΑ ΜΑΤΙΑ, ΑΝΑΖΗΤΗΣΤΕ ΕΠΙΠΛΕΟΝ ΙΑΤΡΙΚΗ ΒΟΗΘΕΙΑ.** Τα υγρά, τα οποία εκκινάσσονται από την μπαταρία ενδέχεται να προκαλέσουν ερεθισμό ή εγκαύματα.

ΠΡΟΔΙΑΓΡΑΦΕΣ

Αριθμός μοντέλου	LM2120E	LM2120E-SP	
Αυτοκινούμενο σύστημα	Ne	Taip	
Τάση	56 V	56 V	
Ταχύτητα χωρίς φορτίο	2800 /min	2800 /min	
Ύψος κοπής	28-94 mm	28-94 mm	
Θέσεις ύψους κοπής	6	6	
Μέγεθος βάσης	53 cm	53 cm	
Πλάτος κοπής	52 cm	52 cm	
Χωρητικότητα σάκου συλλογής γρασιδιού	70 L	70 L	
Βάρος χλοοκοπτικού μηχανήματος (χωρίς τη συστοιχία μπαταριών)	22,10 kg	24,55 kg	
Μοντέλο λεπίδας	AB2101	AB2101	
Μετρημένη στάθμη ηχητικής ισχύος L_{WA} $K=2$ dB(A)	89,9 dB(A)	89,5 dB(A)	
Στάθμη ηχητικής πίεσης στη θέση χειριστή L_{PA} $K=3$ dB(A)	87 dB(A)	87 dB(A)	
Εγγυημένο επίπεδο ισχύος ήχου L_{WA} (μέτρηση σύμφωνα με 2000/14/EC)	92 dB(A)	92 dB(A)	
Δονήσεις a_{rh} $K=1,5$ m/s ²	Αριστερή λαβή	$\leq 2,5$ m/s ²	$\leq 2,5$ m/s ²
	Δεξιά λαβή	$\leq 2,5$ m/s ²	$\leq 2,5$ m/s ²
Φρένο λεπίδας	NAI	NAI	

- Η αναφερόμενη συνολική τιμή κραδασμών έχει μετρηθεί σύμφωνα με την πρότυπη μέθοδο ελέγχου και μπορεί να χρησιμοποιηθεί για τη σύγκριση ενός εργαλείου με κάποιο άλλο.
- Η αναφερόμενη συνολική τιμή κραδασμών μπορεί να χρησιμοποιηθεί επίσης για την προκαταρκτική αξιολόγηση της έκθεσης.

ΣΗΜΕΙΩΣΗ: Οι εκπομπές κραδασμών κατά τη διάρκεια της πραγματικής χρήσης του ηλεκτρικού εργαλείου μπορεί να διαφέρουν από τη δηλωμένη τιμή στην οποία χρησιμοποιείται το εργαλείο. Για την προστασία του χειριστή, πρέπει να χρησιμοποιούνται γάντια και προστασία της ακοής στις πραγματικές συνθήκες χρήσης.

ΚΑΤΑΛΟΓΟΣ ΕΞΑΡΤΗΜΑΤΩΝ ΣΥΣΚΕΥΑΣΙΑΣ

ΟΝΟΜΑ ΕΞΑΡΤΗΜΑΤΟΣ	ΠΟΣΟΤΗΤΑ
Χλοοκοπτική Μηχανή	1
Σάκος συλλογής γρασιδιού	1
Πλαίσιο σάκου συλλογής γρασιδιού	1
Ένθεμα κάλυψης εδάφους	1
Κλειδί ασφαλείας	2
Εγχειρίδιο χρήσης	1

ΠΕΡΙΓΡΑΦΗ

ΓΝΩΡΙΣΤΕ ΤΟ ΦΥΣΗΤΗΡΑ ΣΑΣ (Εικ. A & B & C)

1. Κουμπί ασφαλείας
2. Αυτοκινούμενη σκανδάλη
3. Σύσφιξη ασφάλισης λαβής
4. Πίσω θύρα εξαγωγής
5. Οπίσθια λαβή
6. Κάλυμμα συστοιχίας μπαταριών
7. Προβολείς LED
8. Μπροσινή λαβή
9. Μπροστινός τροχός
10. Μοχλός ρύθμισης ύψους κοπής
11. Βάση χλοοκοπτικού μηχανήματος
12. Πίσω τροχός
13. Σάκος συλλογής γρασιδιού
14. Μοχλός γρήγορης ρύθμισης
15. Πλευρική ράγα
16. Αυτοκινούμενος μοχλός ελέγχου ταχύτητας
17. Διακόπτης εκκένωσης (μοχλός διακόπτη)
18. Χειρολαβή
19. Ένθεμα κάλυψης εδάφους
20. Υποστήριξη για αποθήκευση σε όρθια θέση
21. Πίσω προστατευτικό
22. Κουμπί διακόπτη για λυχνίες LED λειτουργίας
23. Ένδειξη ισχύος

ΛΕΙΤΟΥΡΓΙΑ

ΣΥΝΑΡΜΟΛΟΓΗΣΗ ΤΟΥ ΣΑΚΟΥ ΓΡΑΣΙΔΙΟΥ

- 1) Σύρετε το σάκο γρασιδιού επάνω στο πλαίσιο (Εικ. D).
- 2) Συναρμολογήστε τα επάνω κλιπ στο πλαίσιο (Εικ. E), κατόπιν συναρμολογήστε τα δύο πλαϊνά κλιπ. Συναρμολογήστε τελευταίο το κάτω κλιπ.

- 3) Ο πλήρως συναρμολογημένος σάκος γρασιδιού απεικονίζεται στην Εικ. F.

ΣΗΜΕΙΩΣΗ: Υπό φυσιολογική χρήση, το υλικό σάκου υπόκειται σε φθορά. Για να μειώσετε τον κίνδυνο τραυματισμού ελέγχετε τακτικά τη μονάδα σάκου και αντικαθιστάτε σε σημάδια φθορών. Χρησιμοποιείτε μόνο σάκους γρασιδιού που έχουν κατασκευαστεί για αυτό το χλοοκοπτικό μηχανήμα.

ΡΥΘΜΙΣΗ ΤΗΣ ΠΤΥΣΣΟΜΕΝΗΣ ΛΑΒΗΣ

▲ ΠΡΟΕΙΔΟΠΟΙΗΣΗ: Μην προσπαθείτε να εκκινήτε το χλοοκοπτικό μηχανήμα έως ότου η λαβή κλειδώσει σε μια από τις δύο προρυθμισμένες θέσεις λειτουργίας (ΕΠΑΝΩ ΘΕΣΗ ΛΕΙΤΟΥΡΓΙΑΣ ή ΚΑΤΩ ΘΕΣΗ ΛΕΙΤΟΥΡΓΙΑΣ).

Το χλοοκοπτικό σας μηχανήμα αποστέλλεται με τη λαβή στην σταθερή ΚΛΕΙΔΩΜΕΝΗ ΘΕΣΗ ΑΠΟΘΗΚΕΥΣΗΣ (Εικ. G).

- 1) Πιέστε και κρατήστε το μοχλό γρήγορης ρύθμισης για να αποδεσμεύσετε τη λαβή από την ΚΛΕΙΔΩΜΕΝΗ ΘΕΣΗ ΑΠΟΘΗΚΕΥΣΗΣ (Εικ. H-1).
 - 2) Σηκώστε τη λαβή από τη διπλωμένη της θέση, κατόπιν αποδεσμεύστε το μοχλό. Περιστρέψτε απαλά τη λαβή προς τα επάνω, έως ότου ακούσετε και αισθανθείτε να εμπλέκει ο πείρος ασφάλισης σε μια από τις διαφορετικές θέσεις, όπως απεικονίζεται στην Εικ. H.
- ΘΕΣΗ ΠΡΟΣΑΡΤΗΣΗΣ/ΑΦΑΙΡΕΣΗΣ ΣΑΚΟΥ ΓΡΑΣΙΔΙΟΥ (Εικ. H-2).
 - ΕΠΑΝΩ ΘΕΣΗ ΛΕΙΤΟΥΡΓΙΑΣ (Εικ. H-3).
 - ΜΕΣΑΙΑ ΘΕΣΗ ΛΕΙΤΟΥΡΓΙΑΣ (Εικ. H-4)
 - ΚΑΤΩ ΘΕΣΗ ΛΕΙΤΟΥΡΓΙΑΣ (Εικ. H-5).

ΠΡΟΣΑΡΤΗΣΗ/ΑΦΑΙΡΕΣΗ ΣΑΚΟΥ ΓΡΑΣΙΔΙΟΥ/ ΕΝΘΕΜΑΤΟΣ ΚΑΛΥΨΗΣ ΕΔΑΦΟΥΣ

▲ ΠΡΟΕΙΔΟΠΟΙΗΣΗ: Σε καμία περίπτωση μην κάνετε οιοσδήποτε ρυθμίσεις στην χλοοκοπτική μηχανή χωρίς να σταματήσετε πρώτα τον κινητήρα, να αφαιρέσετε το κλειδί ασφαλείας και να περιμένετε να σταματήσει η λεπίδα να περιστρέφεται.

ΣΗΜΕΙΩΣΗ: Προσαρτάτε οποιαδήποτε εξαρτήματα στο χλοοκοπτικό μηχανήμα πριν την κοπή.

- Προσάρτηση/Αφαίρεση του σάκου γρασιδιού (Εικ. I)

ΣΗΜΕΙΩΣΗ: Αφαιρέστε το προ-εγκατεστημένο ένθεμα κάλυψης εδάφους στο χλοοκοπτικό μηχανήμα πριν προσαρτήσετε το σάκο γρασιδιού στο χλοοκοπτικό μηχανήμα.

- Προσάρτηση/Αφαίρεση του ενθέματος κάλυψης εδάφους (Εικ. J)

ΡΥΘΜΙΣΗ ΤΟΥ ΥΨΟΥΣ ΚΟΠΗΣ (Εικ. K)

▲ ΠΡΟΕΙΔΟΠΟΙΗΣΗ: Διατηρείτε τα πόδια σας μακριά από τη βάση όταν ρυθμίζετε το ύψος της. Το χλοοκοπτικό μηχανήμα μπορεί να ρυθμιστεί σε 6 ύψη κοπής μεταξύ 28 χιλ. και 94 χιλ. Επιλέξτε το σωστό ύψος κοπής σύμφωνα με τους τύπους και τις συνθήκες γρασιδιού.

ΣΗΜΕΙΩΣΗ: Όταν μετακινείτε το εργαλείο εξασφαλίζετε ότι το ύψος κοπής έχει ρυθμιστεί στη θέση 3 ή υψηλότερα. Σε περίπτωση αδυναμίας, θα μπορούσε να προκληθεί βλάβη στη λεπίδα.

ΠΡΟΣΑΡΤΗΣΗ/ΑΠΟΜΑΚΡΥΝΣΗ ΤΗΣ ΣΥΣΤΟΙΧΙΑΣ ΜΠΑΤΑΡΙΩΝ (Εικ. L)

Φόρτιση πριν από την πρώτη χρήση.

▲ ΠΡΟΕΙΔΟΠΟΙΗΣΗ: Εάν έχουν σπάσει ή λείπουν εξαρτήματα μην προσπαθείτε να προσαρτήσετε τη συστοιχία μπαταριών στο χλοοκοπτικό μηχανήμα ή να χειριστείτε το μηχανήμα, έως ότου αντικατασταθούν τα σπασμένα ή ελλιπή εξαρτήματα. Σε αντίθετη περίπτωση, ενέχει κίνδυνο σοβαρού τραυματισμού.

- Προσάρτηση
Ωθήστε τη συστοιχία μπαταριών στο χώρο μπαταρίας, έως ότου ακούσετε ένα «κλικ».
- Απομακρυνση
Πιέστε το κουμπί αποδέσμευσης μπαταρίας στο χώρο μπαταρίας.
Εικ. L Για την περιγραφή των εξαρτημάτων δείτε παρακάτω:

L-1	Εγκοπτή κλειδιού ασφαλείας
L-2	Κλειδί ασφαλείας
L-3	Κουμπί απελευθέρωσης της μπαταρίας

ΣΗΜΕΙΩΣΗ: Βεβαιώνετε ότι το μάνταλο στο χλοοκοπτικό μηχανήμα κουμπώνει στη θέση του και ότι η συστοιχία μπαταριών ασφαλίζει στο μηχανήμα, προτού εκκινήσετε τη λειτουργία.

ΕΝΑΡΞΗ/ΣΤΑΜΑΤΗΜΑ ΤΟΥ ΧΛΟΟΚΟΠΤΙΚΟΥ ΜΗΧΑΝΗΜΑΤΟΣ

▲ ΠΡΟΕΙΔΟΠΟΙΗΣΗ: Η λειτουργία οποιουδήποτε χλοοκοπτικού μηχανήματος μπορεί να επιφέρει εκτόξευση ξένων αντικειμένων στα δικά σας μάτια ή σε άλλων ανθρώπων, με συνέπεια σοβαρή βλάβη σε αυτά. Φοράτε πάντα γυαλιά ασφαλείας ενώ χειρίζεστε το χλοοκοπτικό μηχανήμα ή ενώ διεξάγετε οιοσδήποτε ρυθμίσεις ή επισκευές σε αυτό.

▲ ΠΡΟΕΙΔΟΠΟΙΗΣΗ: Μην χρησιμοποιείτε το χλοοκοπτικό μηχανήμα στη βροχή.

⚠ ΠΡΟΕΙΔΟΠΟΙΗΣΗ: Εξασφαλίστε ότι άλλα άτομα ή κατοικίδια παραμένουν τουλάχιστον 30 μ. μακριά από το μηχάνημα όταν αυτό χρησιμοποιείται.

⚠ ΠΡΟΕΙΔΟΠΟΙΗΣΗ: Η Λεπίδα συνεχίζει να περιστρέφεται για μερικά δευτερόλεπτα μετά την απενεργοποίηση του μηχανήματος. Επιπρόσθετα να σταματήσει η περιστροφή του μοτέρ/της λεπίδας, πριν από επανεκκίνηση. Μην απενεργοποιείτε και ενεργοποιείτε το μηχάνημα με μεγάλη ταχύτητα.

ΣΗΜΕΙΩΣΗ: Το μοτέρ δεν εκκινείται εκτός εάν:

- Η λαβή είναι ασφαλισμένη σε μια από τις τρεις θέσεις λειτουργίας, δείτε ΡΥΘΜΙΣΗ ΤΗΣ ΠΤΥΣΣΟΜΕΝΗΣ ΛΑΒΗΣ.
- Οι πλευρικές ράγες έχουν εκθαθεί πλήρως (Εικ. Μ).
- Και οι δύο πράσινες συσφίξεις κλειδώματος λαβής έχουν κλείσει με ασφάλεια (Εικ. Ν).

⚠ ΠΡΟΦΥΛΑΞΗ: Μην προσπαθείτε να παρακάμψετε τη λειτουργία του κουμπιού ασφαλείας και του διακόπτη εκκένωσης.

Εκκίνηση (Εικ. Ρ)

- 1) Προσαρτήστε τη συστοιχία μπαταριών στο χλοοκοπτικό μηχάνημα, εισαγάγετε το κλειδί ασφαλείας μέσα στην εσοχή κλειδιού και κλείστε το κάλυμμα μπαταρίας (Εικ. L).
- 2) Σύμφωνα με την Εικ. Ο, πιέστε κάτω το κουμπί ασφαλείας.
- 3) Με πατημένο το κουμπί ασφαλείας, τραβήξτε το διακόπτη εκκένωσης προς τα επάνω στη λαβή και αποδεσμεύστε το κουμπί ασφαλείας.

Σταμάτημα (Εικ. Q)

- 1) Απελευθερώστε εντελώς το διακόπτη εκκένωσης.
- 2) Το ηλεκτρικό φρένο στον αυτόματο μηχανισμό φρεναρίσματος θα σταματήσει την περιστροφή λεπίδας εντός 3 δευτερολέπτων από την αποδέσμευση διακόπτη εκκένωσης.

ΑΥΤΟΚΙΝΟΥΜΕΝΟ ΣΥΣΤΗΜΑ ΜΕΤΑΒΛΗΤΗΣ ΤΑΧΥΤΗΤΑΣ

Το LM2120E-SP είναι ένα χλοοκοπτικό μηχάνημα εξοπλισμένο με αυτοκινούμενη δυνατότητα μεταβλητής ταχύτητας. Το σύστημα είναι ανεξάρτητο από τον διακόπτη On/Off λεπίδας. Δεν εξαρτάται από την περιστροφή λεπίδας.

Για να λειτουργεί το σύστημα χωρίς περιστροφή λεπίδας, τραβήξτε την αυτοκινούμενη σκανδάλη στη λαβή.

Για να κλείσετε το αυτοκινούμενο σύστημα, αποδεσμεύστε την αυτοκινούμενη σκανδάλη.

Το σύστημα διαθέτει μεταβλητή ταχύτητα. Για να αυξήσετε την ταχύτητα, μετακινήστε τον αυτοκινούμενο μοχλό ελέγχου ταχύτητας προς τα εμπρός. Για να μειώσετε την ταχύτητα, μετακινήστε τον αυτοκινούμενο μοχλό ελέγχου ταχύτητας προς τα πίσω (Εικ. R).

Λειτουργία με περιστροφή της λεπίδας για την κοπή:

1. Εκκινήστε το χλοοκοπτικό μηχάνημα.
2. Ενώ κρατάτε τον διακόπτη εκκένωσης προς τη λαβή με το αριστερό σας χέρι, τραβήξτε την αυτοκινούμενη σκανδάλη στη λαβή με το δεξιό σας χέρι.
3. Κρατήστε το διακόπτη εκκένωσης και την αυτοκινούμενη σκανδάλη ταυτόχρονα προς τη λαβή με το δεξιό σας χέρι και χρησιμοποιήστε το αριστερό σας χέρι για να ρυθμίσετε τον αυτοκινούμενο μοχλό ταχύτητας ελέγχου για να επιλέξετε την επιθυμητή ταχύτητα.

Σημείωση: Κατά την κοπή ενδέχεται να είναι πιο εύκολο να κόψετε γύρω από ένα αντικείμενο, όπως σε δέντρο ή φυτά, με απενεργοποιημένο το αυτοκινούμενο σύστημα.

⚠ ΠΡΟΕΙΔΟΠΟΙΗΣΗ: Για να μειώσετε τον κίνδυνο τραυματισμού, ποτέ μην προσπαθείτε να παρακάμψετε τη λειτουργία του διακόπτη ή του αυτοκινούμενου συστήματος. Χρησιμοποιείτε το αυτοκινούμενο σύστημα μόνο για την προοριζόμενη του χρήση.

ΠΡΟΒΟΛΕΙΣ LED (Εικ. A-7)

Πιέστε το κουμπί διακόπτη (Εικ. C-22) για να ενεργο-/απενεργοποιήσετε τις προβολείς LED στο μπροστινό τμήμα του χώρου μπαταρίας.

ΕΝΔΙΕΞΗ ΙΣΧΥΟΣ ΣΤΟ ΧΛΟΟΚΟΠΤΙΚΟ ΜΗΧΑΝΗΜΑ (Εικ. S)

Το χλοοκοπτικό μηχάνημα είναι εξοπλισμένο με μια ένδειξη ισχύος που υποδηλώνει την κατάσταση φόρτισης της συστοιχίας μπαταριών και την κατάσταση λειτουργίας του μηχανήματος. Η ένδειξη ισχύος ανάβει όταν η λεπίδα περιστρέφεται ή όταν οι λυχνίες LED λειτουργίας είναι ενεργές.

Ένδειξη ισχύος στο χλοοκοπτικό μηχάνημα	Σημασία	Ενέργεια
Ανάβει πράσινο	Το χλοοκοπτικό μηχάνημα λειτουργεί σωστά. Η μπαταρία έχει τουλάχιστον 15% φορτίου	N/A

Ανάβει κόκκινο	Χαμηλή μπαταρία	Σταματήστε το χλοοκοπτικό μηχανήμα και φορτίστε τη συστοιχία μπαταριών
Αναβοσβήνει κόκκινο	Η μπαταρία έχει σχεδόν αδειάσει	Σταματήστε το χλοοκοπτικό μηχανήμα και φορτίστε τη συστοιχία μπαταριών
Ανάβει πορτοκαλί	Το χλοοκοπτικό μηχανήμα ή η συστοιχία μπαταριών έχει υπερθερμανθεί	Αφαιρέστε τη μπαταρία από το χλοοκοπτικό μηχανήμα, μετακινήστε τα στη σκιά και επιτρέψτε να κρυσώσουν για τουλάχιστον 15 λεπτά
Αναβοσβήνει πορτοκαλί	Το χλοοκοπτικό μηχανήμα έχει υπερφορτωθεί	Επιβραδύνετε το ρυθμό σας ή αυξήστε το ύψος κοπής για να μειώσετε το φορτίο

ΠΡΟΣΤΑΣΙΑ ΥΠΕΡΦΟΡΤΩΣΗΣ ΧΛΟΟΚΟΠΤΙΚΟΥ ΜΗΧΑΝΗΜΑΤΟΣ

Για να εμποδίσετε συνθήκες υπερφόρτωσης, μην προσπαθείτε να απομακρύνετε πολύ γρασίδι τη φορά. Επιβραδύνετε το ρυθμό κοπής ή αυξήστε το ύψος κοπής.

Το χλοοκοπτικό σας μηχανήμα έχει μια ενσωματωμένη προστασία κυκλώματος από υπερφόρτωση. Όταν το χλοοκοπτικό μηχανήμα έχει υπερφορτωθεί, το μοτέρ θα σταματήσει και η ένδειξη ισχύος στο μηχανήμα θα αναβοσβήνει πορτοκαλί. Απομακρύνετε τη συστοιχία μπαταριών από το χλοοκοπτικό μηχανήμα. Βεβαιωθείτε ότι το γρασίδι έχει συγκεντρωθεί κάτω από τη βάση και καθαρίστε το εφόσον χρειάζεται, κατόπιν τοποθετήστε τη μπαταρία και επανεκκινήστε το χλοοκοπτικό μηχανήμα.

ΠΡΟΣΤΑΣΙΑ ΥΨΗΛΗΣ ΘΕΡΜΟΚΡΑΣΙΑΣ ΜΠΑΤΑΡΙΑΣ

Η συστοιχία μπαταριών δημιουργεί θερμότητα κατά τη λειτουργία. Η θερμότητα διασκορπίζεται πιο αργά σε θερμές καιρικές συνθήκες. Εάν η θερμοκρασία μπαταρίας υπερβεί τους 70°C κατά τη διάρκεια της λειτουργίας, το κύκλωμα ασφαλείας απενεργοποιεί αμέσως το χλοοκοπτικό μηχανήμα για την προστασία της συστοιχίας μπαταριών από ζημιά. Η ένδειξη ισχύος στο χλοοκοπτικό μηχανήμα θα ανάβει πορτοκαλί και το LED στη μπαταρία θα αναβοσβήσει πορτοκαλί. Αποδεσμεύστε τη λαβή εκκίνησης, περιμένετε έως ότου η συστοιχία μπαταριών κρυσώσει και φτάσει στους 67°C, κατόπιν επανεκκινήστε το χλοοκοπτικό μηχανήμα.

ΣΥΝΤΗΡΗΣΗ

⚠️ ΠΡΟΕΙΔΟΠΟΙΗΣΗ: Προς αποφυγή σοβαρού ατομικού τραυματισμού, απομακρύνετε πάντα το κλειδί ασφαλείας από το χλοοκοπτικό μηχανήμα πριν από καθαρισμό, διεξαγωγή οιασδήποτε συντήρησης ή μεταφοράς του χλοοκοπτικού μηχανήματος.

⚠️ ΠΡΟΕΙΔΟΠΟΙΗΣΗ: Όταν κάνετε συντήρηση του εργαλείου, χρησιμοποιείτε μόνο ίδια ανταλλακτικά Η χρήση οποιωνδήποτε άλλων εξαρτημάτων μπορεί να προκαλέσει κίνδυνο ή υλικές ζημιές. Για να διασφαλίσετε την ασφάλεια και την αξιοπιστία, όλες οι επισκευές και οι αντικαταστάσεις πρέπει να διεξάγονται από εξειδικευμένο τεχνικό του σέρβις.

ΚΑΘΑΡΙΣΜΟΣ ΤΗΣ ΧΛΟΟΚΟΠΤΙΚΗΣ ΜΟΝΑΔΑΣ

Η κάτω πλευρά της βάσης χλοοκοπτικού πρέπει να καθαρίζεται μετά από κάθε χρήση καθώς συσσωρεύονται αποκόμματα χόρτου, φύλλα, βρόμες και άλλα υπολείμματα.

Απομακρύνετε οποιαδήποτε συσώρευση γρασιδιού και φύλλων επάνω ή γύρω από το κάλυμμα μοτέρ (μη χρησιμοποιείτε νερό). Σκουπίστε το χλοοκοπτικό μηχανήμα με ένα στεγνό πανί.

ΑΦΑΙΡΕΣΗ/ΕΓΚΑΤΑΣΤΑΣΗ ΤΗΣ ΛΕΠΙΔΑΣ

⚠️ ΠΡΟΕΙΔΟΠΟΙΗΣΗ: Προστατεύετε πάντα τα χέρια σας φορώντας ανθεκτικά γάντια ή τυλίγοντας τις ακμές κοπής με πανιά ή άλλα υλικά όταν διεξάγετε συντήρηση στη λεπίδα χλοοκοπτικού μηχανήματος. Απομακρύνετε πάντα το κλειδί ασφαλείας και τη συστοιχία μπαταριών κατά τη συντήρηση ή μεταφορά του μηχανήματος.

- **Αφαίρεση της λεπίδας**
Τήρηση της Εικ. T.

ΣΗΜΕΙΩΣΗ: Εάν το μπουλόνι περιστρέφεται με τον άξονα μοτέρ όταν το λασκάρτε, γυρίστε τον ανεμιστήρα με το χέρι για να ευθυγραμμίσετε τις διαμερείς σπές στον ανεμιστήρα με τις σπές στη λεπίδα και τοποθετήστε μια άλλη μεταλλική ράβδο μέσα στις ευθυγραμμισμένες σπές (Εικ. U).

- **Τοποθέτηση της λεπίδας**

Τηρώντας την αλληλουχία συναρμολόγησης στην Εικ. V, με τη λεπίδα ανεμιστήρα προς τη βάση και την προέξοχη στη λεπίδα προς τα έξω, ευθυγραμμίστε τις διαμερείς σπές στον ανεμιστήρα με τις σπές στη λεπίδα (Εικ. W) και κατόπιν σφίξτε τη λεπίδα όπως φαίνεται στην Εικ. X.

Εικ. U & T Για την περιγραφή των εξαρτημάτων δείτε παρακάτω

U-1	Σταθεροποιητής 1	V-2	Εσωτερική φλάντζα
U-2	Σταθεροποιητής 2	V-3	Λεπίδα

U-3	Κλειδί 14 χιλ.	V-4	Εξωτερική φλάντζα
V-1	Ανεμιστήρας	V-5	Μπουλόνι

ΣΗΜΕΙΩΣΗ: Η προτεινόμενη ροπή σύσφιξης του μπουλονιού λεπτίδας είναι 49-59Nm.

ΑΠΟΘΗΚΕΥΣΗ ΤΟΥ ΧΛΟΟΚΟΠΤΙΚΟΥ ΜΗΧΑΝΗΜΑΤΟΣ

- Απομακρύνετε τη συστοιχία μπαταριών από το χλοοκοπτικό μηχανήμα και αποθηκεύστε την σε μια δροσερή, στεγνή και καθαρή τοποθεσία. Μην την αποθηκεύετε δίπλα σε διαβρωτικά υλικά, όπως λιπάσματα ή ορικό αλάτι.
- Αποθηκεύστε το χλοοκοπτικό μηχανήμα σε έναν καλυμμένο, κλειστό χώρο που είναι δροσερός, στεγνός και εκτός εμβέλειας παιδιών.
- Μην καλύπτετε το χλοοκοπτικό μηχανήμα με ένα ενιαίο πλαστικό φύλλο. Τα πλαστικά φύλλα παγιδεύουν υγρασία γύρω από το χλοοκοπτικό μηχανήμα με αποτέλεσμα να προκαλείται σκουριά και διάβρωση.
- Το χλοοκοπτικό μπορεί να αποθηκεύεται σε κάθετη ή οριζόντια θέση (Εικ. Υ).

⚠ ΠΡΟΕΙΔΟΠΟΙΗΣΗ: Εάν το χλοοκοπτικό μηχανήμα αρχίσει να ανατρέπεται από την όρθια θέση, μπορεί να προκληθεί ζημιά στο μηχανήμα ή ατομικός τραυματισμός. Διατηρείτε πάντα το χλοοκοπτικό σταθερό και εκτός εμβέλειας παιδιών όταν είναι σε όρθια θέση. Εάν είναι δυνατόν, τοποθετήστε το οριζόντια για την αποθήκευση.

Προστασία του περιβάλλοντος



Μην απορρίπτετε τους ηλεκτρικούς εξοπλισμούς, το φορτιστή μπαταρίας και τις μπαταρίες/επαναφορτιζόμενες μπαταρίες στα οικιακά απορρίμματα!

Σύμφωνα με τον Ευρωπαϊκό νόμο 2012/19/ΕΕ, οι ηλεκτρικοί και οι ηλεκτρονικοί εξοπλισμοί που δεν χρησιμοποιούνται πλέον και σύμφωνα με τον Ευρωπαϊκό νόμο 2006/66/

ΕΚ, οι ελαττωματικές ή χρησιμοποιημένες συστοιχίες μπαταριών/μπαταρίες πρέπει να συλλέγονται ξεχωριστά.

Εάν οι ηλεκτρικές συσκευές απορριφθούν στο ύπαιθρο ή σε χωματερές, τότε είναι πιθανό να διαρρεύσουν επικίνδυνες ουσίες στα υπόγεια ύδατα, με αποτέλεσμα να περάσουν στην τροφική αλυσίδα, προκαλώντας ζημιές στην υγεία και την φυσική σας κατάσταση.

ΔΗΛΩΣΗ ΣΥΜΜΟΡΦΩΣΗΣ ΕΚ



Εις η EGO EUROPE GMBH

Wahlwiesenstrasse 1, D-71711 Steinheim an der Murr Deutschland

Δηλώνουμε ότι ο Ασύρματη χλοοκοπτική μηχανή ΙΟΝΤΩΝ - ΛΙΘΙΟΥ 56 VOLT LM2120E/LM2120E-SP συμμορφώνεται με τις βασικές απαιτήσεις υγείας και ασφάλειας των ακόλουθων οδηγιών:

2006/42/EC, 2014/30/EU, 2011/65/EU, 2000/14/EC

Πρότυπα και τεχνικές προδιαγραφές στα οποία γίνεται αναφορά:

EN 60335-1, EN 60335-2-77, EN 62233, EN 55014-1, EN 55014-2

	LM2120E	LM2120E-SP
Μετρημένη στάθμη ισχύος ήχου:	89,9 dB(A)	89,5 dB(A)
Εγγυημένη στάθμη ηχητικής ισχύος:	92 dB(A)	92 dB(A)

Η διαδικασία αξιολόγησης συμμόρφωσης Παραρτήματος VI διεξάγεται σύμφωνα με τη διάταξη 2000/14/EC.

Φορέας κοινοποίησης: Société Nationale de Certification et d'Homologation

Αριθμός φορέα κοινοποίησης: 0499

Peter Melrose

Διευθύνων Σύμβουλος της
EGO Europe GmbH

Dong Jianxun

Διευθυντής ποιότητας της
Chervon

* (Εξουσιοδοτημένος εκπρόσωπος της CHERVON και υπεύθυνος για την τεχνική τεκμηρίωση)

01/09/2016

ΑΝΤΙΜΕΤΩΠΙΣΗ ΠΡΟΒΛΗΜΑΤΩΝ

⚠️ ΠΡΟΕΙΔΟΠΟΙΗΣΗ: Απομακρύνετε πάντα το κλειδί ασφαλείας και τη συστοιχία μπαταριών κατά τη συντήρηση ή μεταφορά του μηχανήματος. Προστατεύετε πάντα τα χέρια σας φορώντας ανθεκτικά γάντια ή τυλιγόντας τις ακμές κοπής με πανιά ή άλλα υλικά όταν διεξάγετε συντήρηση στη λεπίδα χλοοκοπτικού μηχανήματος.

ΠΡΟΒΛΗΜΑ	ΑΙΤΙΑ	ΕΠΙΛΥΣΗ
Το χλοοκοπτικό μηχανήμα δεν εκκινείται	<ul style="list-style-type: none"> ■ Η συστοιχία μπαταριών έχει εξαντληθεί. ■ Η συστοιχία μπαταριών δεν έχει τοποθετηθεί στη θέση της στο χώρο μπαταρίας. ■ Το κύκλωμα μπαταρίας ή χλοοκοπτικού μηχανήματος είναι πολύ καυτό. (Η ένδειξη ισχύος στο χλοοκοπτικό μηχανήμα ανάβει πορτοκαλί για 10 δευτερόλεπτα) ■ Οι πλευρικές ράγες δεν εκτείνονται στο μέγιστο μήκος τους και οι συσφιξεις δεν ασφαλίζουν στη σωστή θέση. ■ Η λαβή δεν ρυθμίζεται σε μια από τις δύο θέσεις λειτουργίας. ■ Η βάση χλοοκοπτικού μηχανήματος έχει μπλοκαριστεί με γρασίδι και υπολείμματα. 	<ul style="list-style-type: none"> ■ Φορτίστε τη συστοιχία μπαταριών. ■ Τοποθετήστε τη συστοιχία μπαταριών στο χλοοκοπτικό μηχανήμα. ■ Επιτρέψτε να κρυώσει η συστοιχία μπαταριών ή η χλοοκοπτική μηχανή, έως ότου η θερμοκρασία πέσει κάτω από τους 67°C. ■ Εκτείνετε πλήρως τη λαβή και ασφαλίστε και τις δύο συσφιξεις. ■ Ρυθμίστε τη λαβή σε μια από τις δύο θέσεις λειτουργίας. ■ Καθαρίστε τη βάση χλοοκοπτικού μηχανήματος και εξασφαλίστε ότι η λεπίδα κινείται ελεύθερα.
Το χλοοκοπτικό κόβει ακανόνιστα	<ul style="list-style-type: none"> ■ Η λεπίδα είναι στομωμένη. ■ Το ύψος κοπής δεν έχει ρυθμιστεί σωστά. ■ Η λεπίδα έχει συναρμολογηθεί λάθος. 	<ul style="list-style-type: none"> ■ Τροχίστε ή αντικαταστήστε τη λεπίδα. ■ Σηκώστε τη βάση σε υψηλότερη ρύθμιση ύψους κοπής. ■ Επανασυναρμολογήστε τη λεπίδα, τηρώντας το απόσπασμα «ΕΓΚΑΤΑΣΤΑΣΗ ΤΗΣ ΛΕΠΙΔΑΣ» στο παρόν εγχειρίδιο.

ΠΡΟΒΛΗΜΑ	ΑΙΤΙΑ	ΕΠΙΛΥΣΗ
Το χλοοκοπτικό σταματάει κατά την κοπή	<ul style="list-style-type: none"> ■ Η συστοιχία μπαταριών έχει εξαντληθεί. ■ Το χλοοκοπτικό βρίσκεται στην κατάσταση υπερφόρτωσης. ■ Η βάση χλοοκοπτικού μηχανήματος έχει μπλοκαριστεί με γρασίδι και υπολείμματα. ■ Το κύκλωμα μπαταρίας ή χλοοκοπτικού μηχανήματος είναι πολύ καυτό. (Η ένδειξη ισχύος στο χλοοκοπτικό μηχανήμα ανάβει πορτοκαλί για 10 δευτερόλεπτα) ■ Η πλευρική ράγα έχει ανασυρθεί λίγο λόγω της ισχύος ώθησης που εφαρμόστηκε στη λαβή. 	<ul style="list-style-type: none"> ■ Φορτίστε τη συστοιχία μπαταριών. ■ Αυξήστε το ύψος κοπής ή επιβραδύνετε την κοπή. ■ Απομακρύνετε το μπλοκάρισμα στη βάση χλοοκοπτικού μηχανήματος. Αυξήστε το ύψος κοπής ή κόψτε έναν στενό διάδρομο. ■ Επιτρέψτε να κρυώσει η συστοιχία μπαταριών ή η χλοοκοπτική μηχανή, έως ότου η θερμοκρασία πέσει κάτω από τους 67°C. ■ Απασφαλίστε τις συσφιξεις. Εκτείνετε πλήρως τις πλάγιες ράγες και ασφαλίστε πάλι τις συσφιξεις.
Το χλοοκοπτικό μηχανήμα δεν κάνει σωστή κάλυψη εδάφους	<ul style="list-style-type: none"> ■ Ξγρά αποκόμματα γρασιδιού κολλάνε στην κάτω πλευρά της βάσης. ■ Το χλοοκοπτικό έχει ρυθμιστεί να κόβει πολύ γρασίδι μονομιάς. 	<ul style="list-style-type: none"> ■ Περιμένετε έως ότου το γρασίδι στεγνώσει προτού κόψετε. ■ Σηκώστε τη βάση σε υψηλότερη ρύθμιση ύψους κοπής.
Προκύπτουν υπερβολικοί κραδασμοί	<ul style="list-style-type: none"> ■ Η λεπίδα κοπής είναι λασκαρισμένη. ■ Η λεπίδα κοπής δεν έχει ισορροπία. ■ Η λεπίδα κοπής έχει λυγίσει. ■ Ο άξονας κινητήρα έχει λυγίσει. 	<ul style="list-style-type: none"> ■ Σφίξτε το μπουλόνι λεπίδας. ■ Ισορροποήστε τη λεπίδα τηρώντας τις οδηγίες. ■ Αντικαταστήστε τη λεπίδα. ■ Επικοινωνήστε με το κέντρο σέρβις.
Οι συσφιξεις ασφάλισης λαβής δεν κλείνουν στη σωστή θέση.	<ul style="list-style-type: none"> ■ Οι πλάγιες ράγες δεν εκτείνονται πλήρως. 	<ul style="list-style-type: none"> ■ Εκτείνετε πλήρως τις πλάγιες ράγες, κατόπιν ασφαλίστε τις συσφιξεις.

ΕΓΓΥΗΣΗ

ΠΟΛΙΤΙΚΗ ΕΓΓΥΗΣΗΣ EGO

Επισκεφθείτε την ιστοσελίδα egopowerplus.com για όλους τους όρους και τις προϋποθέσεις της πολιτικής εγγύησης EGO.

TÜM TALIMATLARI OKUYUN!



KULLANIM KILAVUZUNU OKUYUN

⚠️ Artık risk! Kalp pili gibi elektronik cihaz kullanan kişiler bu ürünü kullanmadan önce hekimlerine danışmalıdır. Elektrikli cihazların, kalp pili yakınında çalıştırılması kalp piliinde parazite veya arızaya neden olabilir.

⚠️ UYARI: Güvenliği ve güvenilirliği sağlamak için, tüm onarım işlemleri yetkili bir servis teknisyeni tarafından gerçekleştirilmelidir.

Kullanım Amacı ve Öngörülebilir Hatalı Kullanım: Ürün sadece ev bahçelerinde çim biçmek için tasarlanmıştır. Anormal derecede uzun, kuru veya ıslak çimlere (çayır vb.) veya kuru yaprak yığınlarını biçmek için kullanılmamalıdır. Ürün sadece açıklanan kullanım amacı doğrultusunda kullanılmalıdır. Diğer kullanım şekilleri hatalı kullanım olarak kabul edilir.

GÜVENLİK SEMBOLLERİ

Güvenlik sembollerinin amacı olası tehlikelere dikkatinizi çekmektir. Güvenlik sembolleri ve yanlarındaki açıklamalar özel dikkat ve anlayış göstermenizi gerektirir. Uyarı sembolleri kendi başlarına herhangi bir tehlikeyi göstermez. Sundukları talimat ve uyarılar uygun kaza önleme önlemlerinin yerine geçmez.

⚠️ UYARI: Bu aleti kullanmadan önce, “**TEHLİKE**”, “**UYARI**” ve “**DİKKAT**” gibi tüm güvenlik uyarı ve sembollerini içeren bu Kullanım Kılavuzu içerisindeki tüm güvenlik talimatlarını okuyup anladığınızdan emin olun. Aşağıdaki talimatların tamamına uyulmaması elektrik çarpması, yangın ve/veya ciddi kişisel yaralanma ile sonuçlanabilir.

SEMBOLÜN ANLAMI

GÜVENLİK UYARI SEMBOLÜ: Bir **TEHLİKE**, **UYARI** veya **DİKKAT** edilmesi gereken durumları gösterir. Diğer semboller veya resimlerle birlikte kullanılabilir.

⚠️ UYARI: Elektrikli aletlerin kullanımı yabancı nesnelere gözlerinize fırlatılması sonucunu doğurabilir, bu da gözlerde ciddi hasara yol açabilir. Elektrikli aleti kullanmaya başlamadan önce, daima göz koruması veya yan siperleri olan koruyucu gözlük takın ve gerektiğinde tam yüz siperi kullanın. Gözlük üzerine kullanım için Wide Vision Koruyucu Maske ya da yan siperleri olan standart koruyucu gözlükleri tavsiye ederiz.

GÜVENLİK TALIMATLARI

Bu sayfada, bu ürün üzerinde görülebilecek güvenlik sembolleri gösterilmekte ve açıklanmaktadır. Makineyi monte etmeye ve kullanmaya başlamadan önce, makineye ilişkin tüm talimatları okuyup anlayın ve bu talimatlara uyun.

	Güvenlik Uyarısı	Güvenliğinizle ilgili önlemler.
	Koruyucu Gözlük Takın	Bu ürünü çalıştırırken daima göz koruması, yan siperleri olan koruyucu gözlük ya da tam yüz maskesi kullanın.
	Kullanım Kılavuzunu Okuyun	Yaralanma riskini azaltmak için, kullanıcı bu ürünü kullanmadan önce kullanım kılavuzunu okuyup anlamalıdır.
	Keskin bıçaklara karşı dikkatli olun.	Kesim bıçakları motor kapatıldıktan sonra da dönmeye devam eder – Bakım yapmadan önce cihazı emniyete alın. Ayar veya temizlik işlemi öncesinde gücü kapatın ve sökülebilir pil paketini (veya emniyet aygıtını) çıkarın.
	Üçüncü Şahısları Uzak Tutun	Çim biçme makinesi kullanılırken diğer insanların ve evcil hayvanların en az 30 m uzakta olduklarından emin olun.
	Sınıf II Yapı	Çift yalıtımlı yapı.
IPX4	IP Sembölü	Su girişine karşı koruma derecesi 4
V	Volt	Voltaj
A	Amper	Akım
Hz	Hertz	Frekans (saniyedeki dönüş sayısı)

W	Watt	Güç
min	Dakika	Zaman
~	Alternatif Akım	Akım türü
≡	Doğru Akım	Akım türü ve özelliği
n_0	Yüksüz Hız	Yüksüz dönüş hızı
... /min	Dakika Başına	Dakika başına dönüş

KABLOSUZ ÇİM BİÇME MAKİNESİ İÇİN GÜVENLİK KURALLARI

⚠ TEHLİKE: Bu makine, bu kılavuzda yer alan güvenli çalışma kurallarına uygun olarak çalıştırılmak üzere tasarlanmıştır. Tüm elektrikli cihazlarda olduğu gibi, operatörün dikkatsizliği veya herhangi bir hatası ciddi yaralanmaya yol açabilir. Bu makine ellerinizi ve ayaklarınızı yaralayabilir ve nesnelere fırlatıp atabilir. Tüm güvenlik talimatlarına uyulmaması ciddi yaralanmalara veya ölüme yol açabilir.

⚠ UYARI: Kablosuz çim biçme makinesini kullanırken yangın, elektrik çarpması ve kişisel yaralanma riskini azaltmak için daima temel güvenlik önlemleri alınmalıdır.

ÖNEMLİ

KULLANMADAN ÖNCE DİKKATLE OKUYUN. GELECEKTE BAŞVURU AMACIYLA SAKLAYIN.

KABLOSUZ ÇİM BİÇME MAKİNELERİ İÇİN GÜVENLİK KURALLARI:

DİKKAT-DÖNER BİÇAĞA DOKUNMAYIN!

EĞİTİM

- Talimatları dikkatle okuyun. Cihazın kumandalarını ve uygun kullanım şeklini öğrenin.
- Çocukların veya kullanma talimatları hakkında yeterli bilgiye sahip olmayan kişilerin makineyi kullanmasına asla izin vermeyin. Yerel yönetmelikler kullanıcı yaşına sınırlama getirebilir.
- Yakınızdaki başkaları, özellikle de çocuklar veya evcil hayvanlar varken asla çim biçmeyin.
- Operatör veya kullanıcı, diğer kişilerin ya da diğer kişilere ait eşyaların başına gelebilecek yaralanma veya hasarlardan sorumludur.

HAZIRLIK

- Cihazı kullanırken, daima sağlam bir ayakkabı ve uzun pantolon giyin.

- Makineyi çıplak ayakla veya açık sandaletler giyerek kullanmayın. Bol veya sarkan ipleri veya bağcıkları bulunan giysiler giymekten kaçının.
- Makinenin kullanılacağı alanı kontrol edin, tüm taş, sopa, kablo, kemik ve diğer yabancı cisimleri kaldırın.
- Kullanmadan önce bıçakları, bıçak civatalarının ve kesme modüllerinin aşınıp aşınmadıklarını veya hasar görüp görmediklerini görsel olarak kontrol edin. Dengeyi korumak için, aşınmış veya hasar görmüş bıçaklarla bıçak civatalarını set olarak değiştirin. Hasar görmüş veya okunmayan etiketleri değiştirin.

ÇALIŞTIRMA

- Sadece gün ışığında veya iyi aydınlatılmış yerlerde biçme yapın.
- Makineyi mümkün olduğu kadar ıslak çim üzerinde kullanmaktan kaçının.
- Eğimli alanlarda bastığınız yerlerin sağlam olduğundan emin olun.
- Yürüyün, asla koşmayın.
- Tekerlekli dönerek çalışan çim biçme makineleri ile çalışırken; eğimli yüzeyin enine doğru çim biçin, asla yukarı aşağı yönde biçmeyin;
- Eğimli yerlerde yön değiştirirken son derece dikkatli olun.
- Çok dik eğimli yerlerde çim biçmeyin.
- Geriye giderken veya makineyi kendinize doğru çekerken çok dikkatli olun.
- Makineyi çim olmayan bir alandan geçirmek için yatırıp çekerken ve çim biçilecek alana getirip götürürken bıçağı/bıçakları durdurun.
- Makineyi asla hasarlı koruyucu donanım veya güvenlik parçaları ile veya deflektör, çim toplama haznesi vb. güvenlik cihazları takılı olmadan kullanmayın.
- Motor talimatlarına uygun biçimde ve ayaklar bıçaktan/bıçaklardan yeteri kadar uzak olduğu halde çalıştırın.
- Çalışması için yana yatırılması gereken durumlar hariç, motoru çalıştırırken makineyi yana yatırmayın. Ürünün yana yatırılması gerekirse, yatırma işlemini sadece gerektiği kadar ve operatöre uzak olan taraftan yapın. Makineyi tekrar zemin üzerine yerleştirmeden önce her iki elinizin de çalışma konumunda olduğundan emin olun.
- Boşaltma ağzının önünde dururken makineyi çalıştırmayın.
- Ellerinizi veya ayaklarınızı hareketli parçaların yakınına veya altına yerleştirmeyin. Döner tip biçicilerde, boşaltma ağzından daima uzak durun.
- Motor çalışır durumda iken makineyi asla havaya kaldırmayın veya taşımayın.

- Ayar veya temizlik işlemi öncesinde gücü kapatın ve sökülebilir pil paketini (veya emniyet aygıtını) çıkarın ve tüm hareketli parçaların tam olarak durduğunu emin olun:
 - Makinenin yanından ayrıldığınızda;
 - Tıkanıklıkları temizlerken veya oluktaki tıkanıklığı giderirken;
 - Makineyi kontrol etmeden, temizlemeden veya üzerinde bir çalışma yürütmeden önce;
 - Yabancı bir cisme çarptıktan sonra. Makinede hasar olup olmadığını kontrol edin ve gerekli onarımları yapın.
- Makine anormal biçimde titremeye başlarsa (derhal kontrol edin):
 - Hasar olup olmadığını kontrol edin;
 - Hasarlı parça varsa değiştirin veya onarın;
 - Gevşek parça varsa sıkın.

BAKIM VE SAKLAMA

- Ayar yaparken, makinenin hareketli bıçakları ile sabit parçaları arasına parmaklarınızı kaptırmamaya dikkat edin.
- Cihazın güvenli biçimde çalışması için tüm somun, civata ve vidaların sıkı olduğundan emin olun.
- Çim tutucuyu sık sık aşınma veya bozulmalara karşı kontrol edin.
- Güvenliğiniz için, aşınmış veya hasarlı parçaları değiştirin.
- Temizlik ve bakım işlemleri gözetim altında olmayan çocuklar tarafından yapılmamalıdır.
- Bıçaklar üzerinde çalışırken, elektrik beslemesi kesik olsa bile bıçakların dönüyüp olabileceğini unutmayın.
- Döner tip biçicilerde sadece doğru tip kesim aksesuarlarının kullanıldığından emin olun.

KİŞSEL GÜVENLİK

Operatör çocukların bulunduğu ortamlarda dikkatli olmazsa, trajik kazalar meydana gelebilir. Çocuklar sıklıkla çim biçme makinesi ve çim biçme faaliyetini ilgi çekici bulurlar. Tehlikeleri anlayamazlar. Asla çocukları en son bıraktığınız yerde bulacağınızı zannetmeyin.

- Çocukları çim biçme alanından uzak ve operatör dışındaki sorumlu bir yetişkinin gözetimi altında tutun.
- Çim biçme alanına bir çocuk girerse, dikkatli olun ve çim biçme makinesinin gücünü kapatın.
- Kuytu köşelere, kapı boşluklarına, çalılara, ağaçlara veya makineye doğru gelebilecek bir çocuğu görmenize engel olabilecek diğer cisimlere yaklaşırken daha dikkatli olun.

- Çocuklar, makineyle oynamaları için gözetim altında tutulmalıdır.
- Pili paketini aletten çıkarırken daima çim biçme makinesinin gücünü kapatın. Makineyi çim olmayan bir alandan geçirmek için yatırıp çekerken ve çim biçilecek alana getirip götürürken başçağ/bıçakları durdurun.

ÇALIŞTIRMA

GENEL ÇALIŞTIRMA:

- Bu makineyi monte etmeye başlamadan önce bu kullanım kılavuzunun tamamını dikkatle okuyun. Makineyi çalıştırmadan önce, makineye ilişkin tüm talimatları okuyup anlayın ve bu talimatlara uyun. Bu makineyi kullanmadan önce, denetimlerine ve kontrollerine aşına olun. Bu kullanım kılavuzunu gelecekte başvuru ve yedek parça siparişi amacıyla güvenli bir yerde muhafaza edin.
- Doğru cihazı kullanın - Çim biçme makinesini kullanım amacı dışında herhangi bir amaçla kullanmayın.
- Dengesiz bir duruşla çalışma yapmayın - Çalışma süresince ayaklarınızı sağlam basın ve dengeyi koruyun.
- Biçici başının çarptığı nesnelere ciddi kişisel yaralanmalara yol açabilir. Her çim biçme işleminde önce, çimler dikkatle incelenmeli ve tüm cisimlerden temizlenmelidir.
- Geriye doğru gitmeden önce ve giderken, küçük çocuklar ve diğer insanlar olup olmadığını görmek için arkanıza ve aşağıya bakın.
- Bu makine bir oyuncak değildir. Bu nedenle, daima son derece dikkatli olun. Makineniz tek bir işi gerçekleştirmek için tasarlanmıştır: çim biçmek. Başka amaçla kullanmayın.
- Çim biçme makinesini zorlamayın – tasarımına uygun hızda kullanılırsa daha iyi ve daha güvenli iş görür.
- Kullanmadan önce bıçakların, bıçak civatalarının ve kesme modüllerinin aşınıp aşınmadıklarını veya hasar görüp görmediklerini görsel olarak kontrol edin. Dengeyi korumak için, aşınmış veya hasar görmüş bıçaklarla bıçak civatalarını ve diğer parçaları aynı anda değiştirin. Hasar görmüş veya okunmayan etiketleri değiştirin.
- Geriye giderken veya makineyi kendinize doğru çekerken çok dikkatli olun.
- Makinenin kullanılacağı alanı dikkatlice kontrol edin. Üzerine takılabilecek veya bıçak tarafından fırlatılabilecek taş, sopa, tel, oyuncak vb. tüm yabancı cisimleri temizleyin. Fırlatılan nesnelere ciddi kişisel yaralanmalara yol açabilir. Biçilen çimleri yollara, kaldırımlara, kenarda duran kişilere vb. doğru boşaltmamak için çim biçme şeklinizi planlayın. Biçilen çimleri duvara veya engellere doğru fırlatmaktan kaçının, aksi takdirde sekerek kullancıya geri dönebilir.

- Bıçakla temas veya fırlatılan cisimler nedeniyle yaralanmaları önlemek için, çalışma sırasında tutma saplarının arındaki operatör bölgesinde kalın ve çocukları, üçüncü şahısları, yardımcıları ve evcil hayvanları çim biçme makinesinden en az 30 metre uzakta tutun. Çalışma alanına herhangi biri girerse makineyi durdurun.
- Çalışma sırasında ve bir ayar veya onarım işlemi gerçekleştirirken gözlerinizi korumak için daima göz koruması veya koruyucu gözlük kullanın. Fırlayan nesnelere sekebilir ve ciddi göz yaralanmalarına neden olabilir. Çalışma ortamı tozluysa, mutlaka yüz veya toz maskesi takın.
- Uygun bir şekilde giyinin – Bol giysiler giymeyin veya takı takmayın. Hareketli parçalarla takılabilir. Açık havada çalışırken kauçuk eldiven ve ayakkabı giyilmesi önerilir. Dayanıklı ve sağlam tabanlı iş ayakkabıları ve sıkı oturan pantolon ve gömlek giyin. Kolları ve bacakları örten gömlek ve pantolon ile çelik burunlu ayakkabı kullanımı önerilir. Bu makineyi asla çıplak ayakla, sandalet, kaygan veya ince (örn. bez) ayakkabı giyerek kullanmayın.
- Ellerinizi veya ayaklarınızı döner parçaların yakınına veya kesim bölgesinin altına yerleştirmeyin. Bıçak ile temas edilmesi ellerin ve ayakların yaralanmasına yol açabilir.
- Eksik veya hasarlı boşaltma kapağı, bıçağa temas edilmesine veya fırlatılan cisimler nedeniyle yaralanmalara yol açabilir.
- Kayma veya takılıp düşme sırasında çim biçme makinesinin ayağın üzerinden geçmesi sonucu bir çok yaralanma meydana gelmektedir. Düşmeniz halinde çim biçme makinesini tutmaya çalışmayın; tutma sapını derhal bırakın.
- Asla yürürken çim biçme makinesini kendinize doğru çekmeyin. Makineyi bir duvar veya engelden uzaklaştırmak için geriye çekmeniz gerekiyorsa, öncelikle takılmamak için aşağıya ve arkasına bakın ve ardından aşağıdaki adımları izleyin:
 - Çim biçme makinesinden geriye doğru adım atarak kollarınızı gergin duruma getirin.
 - Dengede olduğunuzdan ve bastığınız yerlerin sağlam olduğundan emin olun.
 - Çim biçme makinesini, makine ile aranızdaki mesafenin yarısından fazla olmamak şartıyla yavaşça kendinize doğru çekin.
 - Gerektiğinde bu adımları tekrarlayın.
- Alkol veya uyuşturucu etkisi altındayken çim biçme makinesini kullanmayın.
- Makineyi asla hasarlı koruyucu donanım veya güvenlik parçaları ile veya deflektör, çim toplama haznesi vb. güvenlik cihazları takılı olmadan kullanmayın.
- Daima tetikte olun ve ne yaptığınıza dikkat edin. Sağduyulu olun. Çim biçme makinesini yorgunken kullanmayın.
- Motor/bıçak denetim kolu bir güvenlik cihazıdır. Asla bu düzeneğin kullanımını baypas etmeyin. Böyle yapılması güvenlik cihazını kullanılmaz hale getirir ve döner bıçakla temas sonucu kişisel yaralanmaya neden olabilir. Motor/bıçak denetim kolu her iki yönde kolayca çalışmalı ve bırakıldığında otomatik olarak devre dışı konuma döner.
- Tehlikeli ortamlardan uzak durun – Çim biçme makinesini rutubetli veya ıslak ortamlarda kullanmayın.
- Yağmur altında kullanmayın.
- Bastığınız yerlerin sağlam olduğundan emin olun. Kayma ve düşmeler ciddi kişisel yaralanmalara neden olabilir. Dengenizi kaybettiğinizi hissederseniz, derhal motor/bıçak denetim kolunu serbest bırakın, üç saniye içinde bıçağın dönmeye durur.
- Çakıl araba yolları, yürüyüş yolları veya yollardan geçerken bıçağı durdurun.
- Cihaz anormal şekilde titreşmeye başlarsa, motoru derhal durdurun ve nedenini kontrol edin. Titreşim genellikle bir sorun olduğunu gösterir.
 - Hasar olup olmadığını kontrol edin;
 - Kullanıcı tarafından değiştirilebilir hasarlı parça varsa değiştirin veya onarın;
 - Gevşek parça olup olmadığını kontrol edin ve varsa sıkın.
- Çim biçme makinesini uygun arka siper, boşaltma kapağı, çim torbası, malçlama parçası, yan boşaltma oluğu, motor/bıçak denetim kolu veya diğer güvenlik cihazları takılı ve çalışır durumda olmadan asla kullanmayın. Çim biçme makinesini hasarlı güvenlik cihazları ile asla kullanmayın. Aksi takdirde, kişisel yaralanmalar meydana gelebilir.
- Bu kılavuzda yer almayan durumlar meydana gelirse, dikkatli ve sağduyulu davranın. Yardım için EGO Müşteri Hizmetleri ile irtibata geçin.
- Sadece aşağıda listelenen pil paketi ve şarj cihazlarını kullanın:

PİL PAKETİ	ŞARJ CİHAZI
BA1120E, BA2240E, BA2800, BA3360, BA4200	CH5500E, CH2100E

- Atılmadan önce pil paketi cihazdan çıkarılmalıdır.
- Pil güvenli bir şekilde imha edilmelidir.

EĞİMLİ ARAZİDE KULLANIM:

Eğimli araziler ciddi yaralanmalara yol açabilen kayma ve düşme kazaları ile ilgili önemli bir faktördür. Eğimli alanlarda bastığınız yerlerin sağlam olduğundan emin olun. Eğimli arazilerde çalışma son derece dikkatli olmayı gerektirir. Eğimli bir arazide kendinizi rahatsız hissediyorsanız, çim biçmeyin.

Yapılması gerekenler:

- Eğimli yüzeylerin enine doğru biçin, asla yukarı ve aşağı yönde çim biçmeyin. Eğimli yerlerde yön değiştirirken son derece dikkatli olun.
- Kaymanıza veya takılıp düşmenize neden olabilecek çukurlara, tekerlek izlerine, kaya parçalarına, gizli cisimlere veya tümseklerle dikkat edin. Uzun çimler engelleri gizleyebilir.

Yapılmaması gerekenler:

- Yamaçların, çukurların veya dolgu alanların yakınında çim biçmeyin; dengeyi kaybedebilirsiniz.
- 15 dereceden daha büyük eğimli arazelerde çim biçmeyin.
- Islak çimleri biçmeyin. Dengesiz bir duruş kaymaya neden olabilir.

SERVIS

⚠ UYARI: Çim torbası parçaları, boşaltma kapağı, yan boşaltma oluğu, malçlama parçası ve arka siper aşınabilir ve zarar görebilir, bu durum hareketli parçalara maruz kalmaya veya cisimlerin fırlatılmasına yol açabilir ve yaralanma riskini artırabilir. Güvenlik koruması için, tüm bileşenleri sık sık kontrol edin ve hasarlı bileşenleri derhal bu kılavuzda listelenen birebir aynı yedek parçalara değiştirin. EGO Müşteri Hizmetleri veya en yakın EGO servis merkezi ile irtibata geçin, onarım ve değişim işlemlerini sadece yetkili bir servis teknisyenine yaptırın!

- Çim biçme makinesinin dahili aşırı yük koruma anahtarı sık sık atıyorsa, EGO Müşteri Hizmetleri veya en yakın EGO servis merkezi ile irtibata geçin.
- Çim biçme makinesini hortumla yıkamayın; motor ve elektrik bağlantılarına su kaçırmamaya dikkat edin.
- Kullanılmadığı zamanlarda anahtarı çıkarın ve boştaki çim biçme makinesini kapalı alanda saklayın. Herhangi bir muhafaza içinde saklamadan önce motorun soğumasını bekleyin. Çim biçme makinesi çocukların erişemeyeceği kuru, yüksek veya kilitli bir muhafaza içerisinde saklanmalıdır.
- Bakım ve onarım sırasında sadece bu kılavuzda listelenen birebir aynı yedek parçaları kullanın. Orijinal ekipman özelliklerini karşılama parçalarının kullanılması hatalı performans ve güvenlik zafiyetine yol açabilir.
- Servis, temizlik veya çim biçme makinesinden malzeme çıkarmadan önce pil takımını çıkarın veya bağlantısını kesin.
- Aksesuar değişimi için verilen talimatlarla uyun.
- Tutma saplarını kuru, temiz, benzin ve yağdan uzak tutun.
- Yangın tehlikesini azaltmak için, motor kapağında çim, yaprak ve artıkların birikmesini önleyin.


- Bıçak ve motor montaj civatalarının tam sıkılmış olduklarını sık sık kontrol edin. Ayrıca, bıçağın hasarlı (örn. eğik, çatlak ve aşınmış) olup olmadığını görsel olarak kontrol edin. Bıçağı sadece bu kılavuzda listelenen birebir aynı yedek bıçak ile değiştirin.
- Çim biçme makinesinin bakımını dikkatli bir şekilde yapın – en iyi ve en güvenli performans için çim biçme makinesinin bıçağını keskin ve temiz tutun. Çim biçme makinesi bıçakları keskindir ve kesiklere yol açabilir. Bıçağa bakım ve onarım yaparken bıçağı sarın ya da eldiven takın ve çok dikkatli olun.
- Asla güvenlik cihazlarını sökmeyin veya üzerinde değişiklik yapmayın. Düzenli olarak düzgün çalıştırlarını kontrol edin. Asla bir güvenlik cihazının kullanım amacını engelleyecek veya güvenlik cihazı tarafından sağlanan korumayı azaltacak herhangi bir eylem gerçekleştirilmeyin.
- Bir tekerleğe ayar yapmadan veya kesim yükseklik ayarı yapmadan önce daima motoru durdurun.
- Yabancı bir cisim fırlatılması halinde, motoru durdurun, anahtarı çıkarın ve çim biçme makinesini herhangi bir hasara karşı dikkatle kontrol edin. Çim biçme makinesini yeniden çalıştırmadan önce hasarı giderein.
- Gerektiğinde, güvenlik ve talimat etiketlerine bakım yapın veya etiketleri değiştirin. EGO Müşteri Hizmetleri veya en yakın EGO servis merkezi ile irtibata geçin, onarım ve değişim işlemlerini sadece yetkili bir servis teknisyenine yaptırın!
- **BU TALIMATLARI SAKLAYIN.** Talimatları sık sık müracaat edin ve bu aleti kullanacak diğer kişileri bilgilendirmek için kullanın. Bu aleti başka birine ödünç vererseniz, ürünün yanlış kullanılmasını ve olası yaralanmayı önlemek için bu talimatları da ürünle birlikte verin.

PİLİN KULLANIMI VE BAKIMI

- Doğal kaynakları korumak için, lütfen pillerin geri dönüşümünü veya uygun bir şekilde imha edilmesini sağlayın. Bu ürün lityum-iyon piller içermektedir. Yerel veya ulusal kanunlar lityum-iyon pillerin normal atıklarla birlikte atılmasını yasaklar. Mevcut geri dönüşüm ve/veya imha seçenekleri hakkında bilgi almak için yerel atık yetkililerine danışın.
- Pil paketi imha edilmek üzere veya geri dönüşüm için çıkarıldıktan sonra, pil paketinin terminalerini dayanıklı yapışkan bant ile kaplayın. Pil paketini tahrip etmeyin, içini açmayın veya parçalarına ayırmayın. Lityum-iyon pillerin geri dönüşümü sağlanmalı veya uygun bir şekilde imha edilmelidir. Ayrıca, asla terminallere metal nesnelere ve/veya vücut azalarınızla dokunmayın, kısa devre yapabilir. Çocuklardan uzak tutun. Bu uyarılara uyulmaması yangına ve/veya ciddi yaralanmalara yol açabilir.

- **KÖTÜ ŞARTLAR ALTINDA PILDEN SIVI AKABİLİR; TEMAS ETMEKTEN KAÇININ. YANLIŞLIKLA TEMAS EDİLİRSE, SU İLE YIKAYIN. SIVI GÖZE TEMAS EDERSE, AYRICA TIBBİ YARDIM ALIN.** Pilden akan sıvı tahriş veya yanıklara neden olabilir.

ΠΡΟΔΙΑΓΡΑΦΕΣ

Model No	LM2120E	LM2120E-SP	
Kendiliğinden Çalışma Sistemi	Ne	Taip	
Voltaj	56 V 	56 V 	
Yüksüz Hız	2800 /min	2800 /min	
Kesim Yüksekliği	28-94 mm	28-94 mm	
Kesim Yüksekliği Korumaları	6	6	
Taban Boyutu	53 cm	53 cm	
Kesim Genişliği	52 cm	52 cm	
Çim Torbası Hacmi	70 L	70 L	
Çim Bıçma Makinesi Ağırlığı (pil paketi hariç)	22,10 kg	24,55 kg	
Bıçak Modeli	AB2101	AB2101	
Ölçülen ses güç düzeyi L_{WA} K=2 dB(A)	89,9 dB(A)	89,5 dB(A)	
Operatörün duyduğu ses güç düzeyi L_{PA} K=3 dB(A)	87 dB(A)	87 dB(A)	
Garanti edilen ses güç düzeyi L_{WA} (2000/14/EC uyarınca ölçülmüş)	92 dB(A)	92 dB(A)	
Titreşim a_h K=1,5 m/s ²	Sol Tutma Sapı	≤ 2,5 m/s ²	≤ 2,5 m/s ²
	Sağ Tutma Sapı	≤ 2,5 m/s ²	≤ 2,5 m/s ²
Bıçak freni	EVET	EVET	

- Bildirilen toplam titreşim değeri standart test yöntemine uygun olarak ölçülmüştür ve bir cihazı diğer bir cihaz ile karşılaştırmak için kullanılabilir.
- Bildirilen toplam titreşim değeri ayrıca ön maruz kalma değerlendirmesinde de kullanılabilir.

UYARI: Elektrikli aletin gerçek kullanımı sırasında meydana gelen titreşim emisyonu aletin kullanım şekline bağlı olarak bildirilen değerden farklı olabilir; Operatörü korumak için, kullanıcı gerçek kullanım koşullarında eldiven ve kulak koruması takmalıdır.

AMBALAJ LİSTESİ

PARÇA ADI	MİKTAR
Çim bıçma makinesi	1
Çim torbası	1
Çim torbası çerçevesi	1
Malçlama parçası	1
Güvenlik anahtarı	2
Kullanma kılavuzu	1

AÇIKLAMA

ÇİT BUDAMA MAKİNENİZİ TANIYIN (Şek. A & B & C)

1. Emniyet Düğmesi
2. Kendiliğinden çalışan tetik
3. Tutma Kolu Kilit Mandalı
4. Arka Boşaltma Kapağı
5. Arka Tutma Sapı
6. Pil Paketi Kapağı
7. LED lambalar
8. Ön Tutma Sapı
9. Ön Tekerlek
10. Kesim Yüksekliği Ayar Kolu
11. Çim Bıçma Makinesi Tabanı
12. Arka Tekerlek
13. Çim Torbası
14. Hızlı Ayar Kolu
15. Yan Korkuluk Rayı
16. Kendiliğinden çalışan Hız kontrol kolu
17. Askılı Anahtar (Anahtar Kolu)
18. Tutma sapı
19. Malçlama Parçası
20. Dik Saklama Desteği
21. Arka Siper
22. LED Çalışma Işıkları için Açma-Kapama Düğmesi
23. Güç Göstergesi

ÇALIŞTIRMA

ÇİM TORBASININ TAKILMASI

- 1) Çim torbasını çerçeveye geçirin (Şek. D).
- 2) Üst klipsleri çerçeveye monte edin (Şek. E), ardından iki tarafı klipsleri monte edin. En son alt klipsi monte edin.
- 3) Tamamen monte edilmiş durumdaki çim torbası Şek. F'de gösterilmiştir.

UYARI: Normal kullanım koşulları altında, torba malzemesi aşınır. Yaralanma riskini azaltmak için, torba donanımını sık sık kontrol edin ve aşınma veya bozulma belirtisi varsa değiştirin. Sadece bu çim biçme makinesi için üretilmiş olan çim torbalarını kullanın.

KATLANIR TUTMA SAPININ AYARLANMASI

UYARI: Tutma sapı iki önyararlı çalışma konumundan (ÜST ÇALIŞMA KONUMU veya ALT ÇALIŞMA KONUMU) birinde kilitleninceye kadar çim biçme makinesini çalıştırmayın.

Çim biçme makinesinin tutma sapı tek parça, KİLİTLİ SAKLAMA KONUMU'nda gönderilir (Şek. G).

- 1) Tutma sapını KİLİTLİ SAKLAMA KONUMU'ndan çıkarmak için hızlı ayar kolunu basılı tutun (Şek. H-1).
 - 2) Tutma sapını kaldırarak katlanmış konumdan çıkarın, ardından kolu bırakın. Tutma sapını, kilit piminin Şek. H'da gösterildiği gibi farklı konulardan birine geçtiğini duyuva ve hissedene kadar yukarı doğru döndürün.
- ÇİM TORBASİ TAKMA/ÇIKARMA KONUMU (Şek. H-2).
 - ÜST ÇALIŞMA KONUMU (Şek. H-3).
 - ORTA ÇALIŞMA KONUMU (Şek. H-4)
 - ALT ÇALIŞMA KONUMU (Şek. H-5).

ÇİM TORBASINI / MALÇLAMA PARÇASINI TAKMA/ÇIKARMA

UYARI: Motoru durdurmadan, güvenlik anahtarını çıkarmadan ve bıçağın durmasını beklemeden çim biçme makinesi üzerinde herhangi bir ayar işlemi yapmayın.

UYARI: Çim biçme makinesinin bu parçalarını çim biçmeye başlamadan önce takın.

■ Çim Torbasının Takılması/Çıkarılması (Şek. I)

UYARI: Çim torbasını takmadan önce çim biçme makinesine takılı olan malçlama parçasını çıkarın.

■ Malçlama Parçasının Takılması/Çıkarılması (Şek. J)

KESİM YÜKSEKLİĞİNİ AYARLAMA (Şek. K)

UYARI: Yükseklik ayarı yapılırken ayaklarınızı tabandan uzak tutun. Çim biçme makinesi, 25mm ile 80mm arasındaki 5 kesim yüksekliğinden birine ayarlanabilir. Çimin türüne ve durumuna göre uygun kesim yüksekliğini seçin.

UYARI: Aleti taşırken, kesim yüksekliğinin konum 3 veya daha yükseğe ayarlanmış olduğundan emin olun. Böyle yapılmaması bıçak hasarına yol açabilir.

PİL PAKETİNİN TAKILMASI/ÇIKARILMASI (Şek. L)

İlk kullanımdan önce şarj edin.

UYARI: Herhangi bir arızalı veya eksik parça varsa, arızalı veya eksik parçalar takılana/değiştirilene kadar pil paketini takmayın veya çim biçme makinesini çalıştırmayın. Aksi takdirde, ciddi yaralanmalar meydana gelebilir.

■ Takmak için

"Klik" sesi duyuyana kadar pil paketini pil yuvasına itin. πίεστε τη συστοιχία μπαταριών, έως ότου ακούσετε ένα «ΚΛΙΚ».

■ Çıkarmak için

Pil yuvasındaki pil çıkarma düğmesine basın.

Şek. L parça açıklaması aşağıdaki gibidir:

L-1	Güvenlik Anahtarı Yuvası
L-2	Güvenlik Anahtarı
L-3	Pil çıkarma düğmesi

UYARI: Kullanmaya başlamadan önce çim biçme makinesi üzerindeki mandalın kilitlenmiş olduğundan ve pil takımının makineye sağlam bir şekilde takıldığından emin olun.

ÇİM BİÇME MAKİNESİNİ ÇALIŞTIRMA/DURDURMA

UYARI: Bir çim biçme makinesinin kullanımı yabancı nesnelere gözlerinize fırlatılması sonucunu doğurabilir, bu da gözlerde ciddi hasara yol açabilir. Çim biçme makinesini kullanırken ve bir ayar veya onarım işlemi gerçekleştirirken daima göz koruması veya koruyucu gözlük kullanın.

UYARI: Çim biçme makinesini yağmur altında kullanmayın.

UYARI: Çim biçme makinesi kullanılırken diğer insanların ve evcil hayvanların en az 30 m uzakta olduklarından emin olun.

UYARI: Çim biçme makinesi kapatıldıktan sonra bıçak birkaç saniye daha dönmeye devam eder. Yeniden çalıştırmadan önce motorun/bıçağın dönmeyişini bekleyin. Çim biçme makinesini hızlı bir şekilde açıp kapatmayın.

NOT: Aşağıdaki durumlar söz konusu olmadıkça motor bağlatılamaz:

- Tutma sapı üç çalışma konumundan birine kilitlenir, bkz. KATLANIR TUTMA SAPININ AYARLANMASI.
- Yan korkuluk rayları tamamen açılmış durumda (Şek. M).
- Her iki yeşil tutma sapı kilitleme klipsi sağlam biçimde kapatılmış (Şek. N).

⚠ DİKKAT: Emniyet düğmesinin ve askılı anahtarın çalışmasını geçersiz kılmaya çalışmayın.

Başlatmak için (Şek. P)

- 1) Pil paketini çim biçme makinesine takın, güvenlik anahtarını yuvasına yerleştirin ve pil kapağını kapatın (Şek. L).
- 2) Şek. O'ya göre güvenlik anahtarını aşağı bastırın.
- 3) Güvenlik anahtarını basılı tutarak, askılı anahtar tutma sapına doğru yukarı çekin ve güvenlik anahtarını bırakın.

Durdurmak için (Şek. Q)

- 1) Askılı anahtar tamamen bırakın.
- 2) Otomatik Fren Mekanizmasındaki elektrikli fren, askılı anahtar bırakıldıktan sonra 3 saniye içerisinde bıçak dönüşünü durdurur.

DEĞİŞKEN HIZLI KENDİLİĞİNDEN ÇALIŞAN SİSTEM

LM2120E-SP çim biçme makinesi değişken hızlı kendiliğinden çalışma özelliğine sahiptir. Bu sistem bıçağın açma-kapama düğmesinden bağımsızdır; bıçağın dönüşüne bağlı değildir.

Sistemi bıçak dönüşü olmadan çalıştırmak için, kendiliğinden çalışma tetiğini tutma sapına doğru çekin.

Kendiliğinden çalışmayı kapatmak için, kendiliğinden çalışma tetiğini bırakın.

Sistem değişken hızla sahiptir. Hızı artırmak için, kendiliğinden çalışma hız kontrol kolunu ileri itin. Hızı düşürmek için, kendiliğinden çalışma hız kontrol kolunu geri itin (Şek. R).

Bıçak dönüşü ile kesim yapmak için:

1. Çim biçme makinesini çalıştırın.
2. Askılı anahtar sol elinizle tutma sapına karşı tutarken, sağ elinizle kendiliğinden çalışma tetik düğmesini tutma sapına doğru çekin.
3. Sağ elinizle askılı anahtar ve kendiliğinden çalışan tetiği aynı anda tutma sapına karşı tutun ve sol elinizi kullanarak istenen hızı seçmek için kendiliğinden çalışan hız kontrol kolunu ayarlayın.

uyarı: Kesim sırasında, ağaç ya da bitki gibi bir nesnenin çevresinde kendiliğinden çalışma özelliği kapalı iken çim biçmek daha kolay olabilir.

⚠ UYARI: Yaralanma riskini azaltmak için, anahtarın ya da kendiliğinden çalışma sisteminin çalışmasını geçersiz kılmaya çalışmayın. Kendiliğinden çalışma sisteminin sadece kullanım amacına uygun şekilde kullanın.

LED LAMBALAR (Şek. A-7)

Pil yuvasının ön kısmındaki LED çalışma lambalarını açmak/kapatmak için düğmeye (Şek. C-22) basın.

ÇİM BİÇME MAKİNESİNDEKİ GÜÇ GÖSTERGESİ (Şek. S)

Çim biçme makinesi, pil paketinin şarj durumunu ve çim biçme makinesinin çalışma durumunu gösteren bir güç göstergesine sahiptir. Bıçak dönerken veya LED çalışma ışıkları yanarken güç göstergesi yanacaktır.

Çim Biçme Makinesi Güç Göstergesi	Anlamı	Eylem
Yeşil yanıyor	Çim biçme makinesi düzgün çalışıyor; pilin en az %15'i dolu	Yok
Kırmızı yanıyor	Pil zayıf	Çim biçme makinesini durdurun ve pil paketini şarj edin
Yanıp sönen kırmızı	Pil bitmek üzere	Çim biçme makinesini durdurun ve pil paketini şarj edin
Turuncu yanıyor	Çim biçme makinesi veya pil paketi aşırı ısınmış	Pil paketini çim biçme makinesinden çıkarın, gölgeye götürerek en az 15 dakika soğumalarını bekleyin
Yanıp sönen turuncu	Çim biçme makinesi aşırı yüklenmiş	Yükü azaltmak için yürüyüşünüzü yavaşlatın veya kesim yüksekliğini artırın

ÇİM BİÇME MAKİNESİ AŞIRI YÜK KORUMASI

Aşırı yük oluşmasını önlemek için, bir defada çok fazla çim biçmeye çalışmayın. Kesim hızınızı düşürün ya da kesim yüksekliğini artırın.

Çim biçme makinesinde dahili aşırı yük devre koruması mevcuttur. Çim biçme makinesi aşırı yüklendiğinde, motor durur ve çim biçme makinesi üzerindeki güç göstergesi turuncu renkte yanıp söner. Çim biçme makinesinden pil paketini çıkarın. Çim biçme makinesinin tabanında çim toplanıp toplanmadığını kontrol edin ve gerekirse çimleri temizleyin, ardından pili takın ve makineyi tekrar çalıştırın.

PİL YÜKSEK SICAKLIK KORUMASI

Pil paketi çalışma sırasında ısınır. Isı, sıcak havada daha yavaş dağılır. Çalışma sırasında pil sıcaklığı 70°C'yi aşarsa, koruma devresi pil paketinin zarar görmesini önlemek için derhal çim biçme makinesini kapatır. Çim biçme makinesi üzerindeki güç göstergesi turuncu renkte yanar ve pil üzerindeki LED turuncu renkte yanıp söner. Askı kolunu bırakın, pil paketinin yaklaşık 67°C'ye kadar soğumasını bekleyin ve çim biçme makinesini tekrar başlatın.

BAKIM

⚠ UYARI: Ciddi kişisel yaralanmaları önlemek için temizlik, bakım işlemleri veya çim biçme makinesinin nakliyesi öncesinde her zaman güvenlik anahtarını çıkarın.

⚠ UYARI: Bakım ve onarım sırasında birebir aynı yedek parçaları kullanın. Diğer parçaların kullanılması tehlike oluşturabilir veya ürünün hasar görmesine neden olabilir. Güvenliği ve güvenilirliği sağlamak için, tüm onarım ve değiştirme işlemleri yetkili bir servis teknisyeni tarafından gerçekleştirilmelidir.

ÇİM BİÇME MAKİNESİNİN TEMİZLENMESİ

Çim biçme makinesinin alt kısmı her kullanımdan sonra temizlenerek çim kırıntıları, yaprak, pislik veya diğer maddelerin birikmesi önlenmelidir.

Motor kapağının üzerinde veya etrafında biriken çimleri ve yaprakları temizleyin (su kullanmayın). Çim biçme makinesini kuru bir bezle temizleyin.

BIÇAĞIN ÇIKARILMASI/TAKILMASI

⚠ UYARI: Bıçak bakımı sırasında dayanıklı eldivenler takarak ve/veya bıçağın keskin kenarlarına üstü�ü ve diğer malzemeleri sararak ellerinizi koruyun. Çim biçme makinesini taşıırken veya bakım/onarım yaparken daima güvenlik anahtarını ve pil paketini çıkarın.

- **Bıçağı çıkarmak için**
Bkz. Şek. T.

UYARI: Cıvatayı gevşetirken cıvata motor mili ile birlikte dönerse, fanı elle çevirerek fandaki delikleri bıçak delikleri ile hizalayın ve hizalanan deliklere başka bir metal çubuk yerleştirin (Şek. U).

- **Bıçağı takmak için**
Şek. V'deki montaj sırasını izleyerek, fan pervanesi tabana doğru ve bıçakların çıkıntılı kısımları dışa bakacak şekilde, fandaki geçiş delikleri ile bıçaktaki delikleri hizalayın (Şek. W) ve bıçağı Şek. X'de gösterildiği gibi sıkın.

Şek. U & V parça açıklaması aşağıdaki gibidir:

U-1	Dengeleyici 1	V-2	İç Flanş
U-2	Dengeleyici 2	V-3	Bıçak
U-3	14mm Anahtar	V-4	Dış Flanş
V-1	Fan	V-5	Cıvata

UYARI: Bıçak cıvatası için önerilen tork değeri 49-59Nm şeklindedir.

ÇİM BİÇME MAKİNESİNİN SAKLANMASI

- Pil paketini çim biçme makinesinden çıkarın ve serin, kuru ve temiz bir yerde saklayın. Gübre veya kaza tüzu gibi aşındırıcı maddelerin yanında saklamayın.
- Çim biçme makinesini çocukların ulaşamayacağı, serin ve kuru bir yerde saklayın.
- Çim biçme makinesini sert plastik bir örtü ile örtmeyin. Plastik örtüler nemi çim biçme makinesinin üzerinde tutar, bu da paslanmaya ve korozyona neden olur.
- Çim biçme makinesi dik veya yassı olarak saklanabilir (Şek. Y).

⚠ UYARI: Dik konumdaki çim biçme makinesi devrilirse, makine hasarına ve kişisel yaralanmaya neden olabilir. Çim biçme makinesi dik konumdayken daima dengede ve çocukların ulaşamayacağı bir konumda olmasını sağlayın. Mümkünse, yassı olarak yatırarak saklayın.

Çevre koruması



Elektrikli cihazları, pil şarj cihazını ve pilleri/ şarj edilebilir pilleri evsel atıklarla birlikte atmayın!

AB Yasası 2012/19/EU uyarınca, kullanılamaz durumdaki elektrikli ve elektronik cihazlar ve AB Yasası 2006/66/EC uyarınca, arızalı veya kullanılmış pil paketleri/ piller ayrı olarak toplanmalıdır.

Elektrikli cihazlar katı atık sahaları veya çöp toplama alanlarına atılırsa, yer altı sularına ve besin zincirine tehlikeli maddeler sızabilir, bu da sağlığınızın bozulmasına yol açabilir.

B UYGUNLUK BEYANI



EGO EUROPE GMBH

Wahlwiesenstrasse 1, D-71711 Steinheim an der Murr Deutschland

LM2120E/LM2120E-SP model 56 VOLT LİTYUM-İYON KABLOSUZ ÇİM BİÇME MAKİNESİ ürününün, aşağıdaki Direktiflerin temel sağlık ve güvenlik gereksinimlerine uygun olduğunu beyan ederiz:

2006/42/EC, 2014/30/EU, 2011/65/EU, 2000/14/EC

Aşağıdakilerle ilişkili standartlara ve teknik özelliklere uygun olduğunu beyan ederiz:

EN 60335-1, EN 60335-2-77, EN 62233, EN 55014-1, EN 55014-2

	LM2120E	LM2120E-SP
Ölçülen Ses Güç Düzeyi:	89,9 dB(A)	89,5 dB(A)
Garanti Edilen Ses Güç Düzeyi:	92 dB(A)	92 dB(A)

2000/14/AT'ye göre Ek VI uygunluk değerlendirme prosedürü izlenmiştir.

Onaylanmış kuruluş: Société Nationale de Certification et d'Homologation

Onaylanmış kuruluş numarası: 0499

KEES VAN DER PEK
TUINMACHINE

Peter Melrose
EGO Europe GmbH
Yönetici Müdürü

Dong Jianxun
Chervon Kalite
Müdürü

* (CHERVON yetkili temsilcisi ve teknik belgeleme sorumlusu)

01/09/2016

SORUN GİDERME

⚠ UYARI: Çim biçme makinesini taşırken veya bakım/onarım yaparken daima güvenlik anahtarını ve pil paketini çıkarın. Bıçak bakımı sırasında dayanıklı eldivenler takarak ve/veya bıçağın keskin kenarlarına üstü�ü ve diğere malzemeleri sararak ellerinizi koruyun.

SORUN	NEDENİ	ÇÖZÜM
Çim biçme makinesi başlatılmıyor.	<ul style="list-style-type: none"> ■ Pil paketi boş. ■ Pil paketi pil bölmesindeki yerine takılmamış. ■ Pil paketi veya çim biçme makinesi devresi çok sıcak. (Çim biçme makinesindeki güç göstergesi 10 saniye turuncu yanar) ■ Yan korkuluk rayları maksimum uzunluğae getirilmemiş ve mandallar kilitlenmemiş. ■ Tutma sapı iki çalışma konumundan birine ayarlanmamış. ■ Çim biçme makinesinin tabanı çim ve artık maddeler nedeniyle tıkanmış. 	<ul style="list-style-type: none"> ■ Pil paketini şarj edin. ■ Pil paketini çim biçme makinesine takın. ■ Pil paketi veya çim biçme makinesinin 67°C'nin altına düşene kadar soğumasını bekleyin. ■ Tutma sapını tamamen uzatın ve her iki mandalı kilitleyin. ■ Tutma sapını iki çalışma konumundan birine ayarlayın. ■ Çim biçme makinesinin tabanını temizleyin ve bıçakların serbestçe hareket ettiğinden emin olun.
Çim biçme makinesi eşit boyda kesim yapmıyor	<ul style="list-style-type: none"> ■ Bıçak körelmiş. ■ Kesim yüksekliğı doğru ayarlanmamış. ■ Bıçak hatalı monte edilmiş. 	<ul style="list-style-type: none"> ■ Bıçağı bileyin veya değıştirin. ■ Tabanı daha yüksek bir kesim yüksekliğı ayarına getirin. ■ Bu kılavuzdaki "BIÇAĞIN TAKILMASI" bölümüne göre bıçağı takın.
Makine çim biçme sırasında duruyor	<ul style="list-style-type: none"> ■ Pil paketi boş. ■ Çim biçme makinesi aşırı yüklenmiş. ■ Çim biçme makinesinin tabanı çim ve artık maddeler nedeniyle tıkanmış. ■ Pil paketi veya çim biçme makinesi devresi çok sıcak. (Çim biçme makinesindeki güç göstergesi 10 saniye turuncu yanar) ■ Yan korkuluk rayı, tutma sapına uygulanan itme kuvveti ile bir miktar geri çekilmiş. 	<ul style="list-style-type: none"> ■ Pil paketini şarj edin. ■ Kesim yüksekliğini artırın veya çim biçme hızını yavaşlatın. ■ Biçici tabanındaki tıkanıklığı gidere. Kesim yüksekliğini artırın veya dar bir şerit halinde kesim yapın. ■ Pil paketi veya çim biçme makinesinin 67°C'nin altına düşene kadar soğumasını bekleyin. ■ Mandalların kilidini açın. Yan korkuluk raylarını tam olarak uzatın ve mandalları yeniden kilitleyin.

SORUN	NEDENİ	ÇÖZÜM
Çim biçme makinesi doğru şekilde malçlama yapmıyor.	<ul style="list-style-type: none">■ Islak çim artıkları makine gövdesinin alt kısmına yapışıyor.■ Çim biçme makinesi, bir defada çok fazla çim kesecek şekilde ayarlanmış.	<ul style="list-style-type: none">■ Çim biçmeye başlamadan önce çimlerin kurumasını bekleyin.■ Tabanı daha yüksek bir kesim yüksekliği ayarına getirin.
Aşırı titreşim var	<ul style="list-style-type: none">■ Kesim bıçağı gevşek.■ Kesim bıçağı dengesiz.■ Kesim bıçağı eğri.■ Motor mili eğri.	<ul style="list-style-type: none">■ Bıçak civatasını sıkın.■ Talimatları izleyerek bıçağın dengesini sağlayın.■ Bıçağı değiştirin.■ Servis merkezi ile irtibata geçin.
Tutma kolu kilit mandalı yerine oturmuyor.	<ul style="list-style-type: none">■ Yan korkuluk rayları tam olarak uzatılmamış.	<ul style="list-style-type: none">■ Yan korkuluk raylarını tam olarak uzatın ve mandalları kilitleyin.

GARANTİ

EGO GARANTİ POLİTİKASI

EGO Garanti politikasına ilişkin tüm hüküm ve koşullar için, lütfen egopowerplus.com adresindeki web sitemizi ziyaret edin.

KEES VAN DER SPEK
TUINMACHINES ★ STOLWIJK

LUGEGE KOGU JUHEND LÄBI!



LUGEGE KASUTUSJUHENDIT

⚠ Kaasnev risk! Elektroonilisi seadmeid (nt südamestimulaatorit) kasutavad inimesed peaksid enne seadme kasutamist konsulteerima oma arsti(de)ga. Elektriliste seadmete kasutamine südamestimulaatori läheduses võib põhjustada häireid stimulaatori töös.

⚠ HOIATUS: Ohutuse ja töökindluse tagamiseks tohivad seda seadet remontida ainult vastava kvalifikatsiooniga hooldustehnikud.

Toote eesmärgipärane kasutus ja väärkasutus: Seade on mõeldud ainult koduaedades muru niitmiseks. Seda ei tohi kasutada väga kõrge, kuiva või märja muru (nt karjamaa muru) niitmiseks ega lehtede purustamiseks. Seadet tohib kasutada vaid käesolevas juhendis lubatud eesmärgil. Igasugust muud kasutust loetakse väärkasutuseks.

TURVASÜMBOLID

Turvasümbolite eesmärk on juhtida kasutajate tähelepanu võimalikele ohtudele. Turvasümboliteid ja nende seletusi tuleb tähele panna ja mõista. Hoiatussümbolid iseenesest ei likvideeri ühtegi ohtu. Nende abil antavad juhised ja hoiatused ei asenda korrektsaid õnnetuste ennetamise meetmeid.

⚠ HOIATUS: Lugege kõik käesolevas juhendis olevad turvajuhised enne seadme kasutamist hoolega läbi. Muuhulgas tutvuge kindlasti ka turvasiltidega, millel on tähised **"OHT," "HOIATUS,"** või **"ETTEVAATUST"**. Kui kõiki allpool loetletud juhiseid ei järgita, võib tagajärjeks olla elektrilöök, tulekahju ja/või tõsised isikuvigastused.

SÜMBOLITE TÄHENDUSED


TURVATEATE SÜMBOL Tähistusega **OHT, HOIATUS,** või **ETTEVAATUST.** Võidakse kasutada koos teiste sümbolite õi piktograafidega.

⚠ HOIATUS: Kõigi mootoriga tööriistade kasutamisel on oht, et silma paiskub võõrkehi, mis võivad põhjustada tõsiseid silmakahjustusi. Kandke elektriliste tööriistade kasutamise ajal alati külgkaitsetega kaitseprille ja vajadusel täielikku näokaitset. Soovitame kanda prillide peal laia vaatealaga kaitsemaski või tavalisi külgkaitsetega kaitseprille.

OHUTUSJUHISED

Sel lehel on kujutatud ja kirjeldatud ohutusesümboliteid, mida võib käesolevalt tootelt leida. Enne, kui üritate masinat kokku panna ja kasutada, lugege, tehke omale selgeks ja järgige kõiki juhiseid.

	Ohutusteade	Teie turvalisusega seotud ettevaatusabinõud
	Kandke kaitseprille	Kandke selle toote kasutamise ajal alati kaitseprille või külgkaitsetega kaitseprille ja täielikku näokaitset.
	Lugege kasutusjuhendit	Et vähendada vigastuste ohtu, peab kasutaja enne toote kasutamist lugema kasutusjuhendit ja selle endale selgeks tegema.
	Olge teravate lõiketeradega ettevaatlik.	Pärast mootori välja lülitamist jätkavad terad pöörlemist – Enne hooldust eemaldage blokeeriv seade. Enne seadme kohandamist või puhastamist lülitage välja ja eemaldage akuplokk (või blokeerimisvõre).
	Ärge laske kellelgi töö ajal enda lähedal seista	Niidukiga töötamise ajal ei tohi 30m raadiuses olla loomi ega teisi inimesi,
	II klassi konstruktsioon	Topeltisolatsiooniga konstruktsioon.
IPX4	JP-sümbol	Kaitse vee temperatuuriga 4 tihendada
V	Volti	Pinge
A	Amprit	Voolutugevus
Hz	Hertsit	Sagedus (tsükli sekundis)
W	Vatti	Võimsus
min	Minutit	Aeg
	Vahelduvvool	Voolu tüüp

	Alalisvool	Voolu tüüp või omadus
n_0	Tühikäigu kiirus	Tühikäigu pöörlemiskiirus
... /min	Minutis	Pööret minutis

OHUTUSREEGLID JUHTMETA MURUNIIDUKI KASUTAMISEL

⚠ OHT: Selle masina kasutamisel tuleb järgida käesolevas juhendis kirjeldatud ohutusreegleid. Nagu kõigi elektriliste tööriistade puhul, võib ka antud seadmega hooletult ringi käies põhjustada vigastusi. Seade võib vigastada jalgu või käsi ja lennutada objekte. Turvanõuete eiramisel võite põhjustada raskeid või surmavaid vigastusi.

⚠ HOIATUS: Bensiniinimootoriga muruniidukite kasutamisel tuleb alati järgida järgnevat elementaarset ohutusnõudeid. Sedasi väldite tulekahju, elektrilöögi ja vigastuste ohtu.

OLULINE

ENNE KASUTAMIST LUGEGE TÄHELEPANELIKULT. HOIDKE ALLES.

OHUTUSREEGLID JUHTMETA MURUNIIDUKI KASUTAMISEL

ETTEVAATUST - ÄRGE PUUDUTAGE PÖÖRLEVAID TERI!

KOOLITUS

- Lugege juhend hoolikalt läbi. Tutvuge juhtseadmetega ja seadme korrektse kasutamise põhimõtetega.
- Ärge lubage seadet kasutada lastel ega inimestel, kes pole tutvunud käesoleva juhendiga. Kohalikud seadused võivad seada seadme kasutajatele vanusepiiranguid.
- Ärge kasutage niidukit teiste inimeste (eriti laste) või loomade läheduses.
- Seadme kasutaja vastutab teiste inimeste või nende varaga juhtivate õnnetuste eest.

ETTEVALMISTUS

- Niitmise ajal kandke alati tugevaid jalatseid ja pikki pükse.
- Ärge kasutage seadet paljajalu või lahtiste jalaõõnudega. Ärge kasutage väga avaraid või rippuvate ribadega/lipsudega riietust.
- Enne töö alustamist kontrollige tööala ja eemaldage sealst kivid, oksad, traadid ja muud võõrkehad.

- Enne seadme kasutamist kontrollige alati visuaalselt ega terad, terade poldid või lõikur kulunud või kahjustatud pole. Ühtlase töötulemuse huvides vahetage terasid ja polte alati komplektis. Vahetage välja kahjustatud ja mitteoetavad etiketid.

KASUTAMINE

- Niitke ainult päevasel ajal või hea kunstiiku valgustusega.
- Võimalusel ärge kasutage seadet märjal murul.
- Kallakutel jälgige jalgealust eriti tähelepanelikult.
- Kõndige, ärge jookske.
- Ratastega niidukite puhul liikuge mööda kungaste külgi, mitte üles-alla.
- Kallakutel suunda muutes olge eriti ettevaatlik.
- Ärge kasutage seadet väga järskul kallakutel.
- Seadet enda poole tõmmates olge väga ettevaatlik.
- Fikseerige tera(de) asend, kui seadet on vaja üle erinevat tüüpi pindade liikumiseks kallutada ja kui liigute erinevate niidetavate alade vahel.
- Ärge kasutage seadet, mille turvapiirded või turvadetailid (nt deflektorid ja/või murukogujad) on kahjustatud või puuduvad.
- Lülitage mootor sisse vastavalt juhistele, hoides jalgu teradest eemal.
- Ärge kallutage seadet, kui proovite selle mootorit käivitada, välja arvatud juhul kui kallutamine on hädavajalik. Sellisel juhul ärge kallutage seadet rohkem kui hädavajalik ja tõstke ainult seadme operaatorist kõige kaugemale jäävat osa. Enne seadme maapinnale tagasi laskmist peavad operaatori mõlemad käed olema tööasendis.
- Ärge käivitage seadet, kui seisate väljutusava ees.
- Ärge asetage oma käsi või jalgu pöörlevate osade alla või lähedale. Pöörlevate niidukite puhul hoiduge väljutusavadest kogu aeg eemale.
- Ärge tõstke ega kandke töötava mootoriga seadet.
- Enne seadme kohandamist või puhastamist lülitage see välja ja eemaldage akuplokk (või blokeerige seade) ning veenduge, et kõik liikuvad osad on täielikult seiskunud.
 - Kui lahkude seadme juurest;
 - Enne ummistuse eemaldamist ja renni puhastamist;
 - Enne seadme puhastamist, kontrollimist või seadistamist;
 - Pärast võõrkehaga pörkumist. Kontrollige ega seadmel kahjustusi pole ja vajadusel parandage, mis võimalik.
- Kui seade hakkab ebanormaalselt vibreerima (kontrollige kohe):

- Kontrollige kahjustusi;
- Parandage või asendage kahjustatud osad;
- Kontrollige ja tugevdage lahtised komponendid.

HOOLDUS JA HOIUSTAMINE

- Seadme kohandamisel olge ettevaatlik ja vältige sõrmede kinni jäämist liikuvate terade või fikseeritud seadmeosade vahele.
- Ohutuse huvides jälgige regulaarselt, et kõik mutrid, poldid ja kruvid oleksid kinni.
- Kontrollige regulaarselt, et murukoguja poleks kulunud ega kahjustatud.
- Vahetage kulunud või kahjustatud osad turvalisuse huvides.
- Lapsed ei tohi ilma järelevalveta seadet hooldada ega puhastada.
- Terade hooldamisel pidage meeles, et kuigi vooluallikas on välja lülitatud, saab terasid endiselt liigutada.
- Pöörlevate niidukite puhul jälgige, et kasutaksite asenduskomponentidena vaid õiget tüüpi lõikevahendeid..

ISIKLIK OHUTUS

Kui seadme kasutaja pole laste läheduses ülimalt ettevaatlik, võib esineda traagilisi õnnetusi. Lastele pakub muruniiduk ja niitmisprotsess tihti väga suurt huvi. Nad ei taju kaasnevaid ohte. Ärge eeldage, et lapsed püsivad ühe koha peal.

- Lapsed tuleks hoida niidetavast alast eemal, täiskasvanu järelevalve all.
- Kui laps tuleb niiduki lähedusse, jätke niiduk seisma.
- Pimedatesse nurkadesse, ukseavadesse, põõsastikesse, puude alla ja teistesse piiratud nähtavusega kohtadesse liikudes olge väga ettevaatlik.
- Lastele tuleks kindlasti öelda, et niidukiga ei tohi mängida.
- Akupaki niidukilt eemaldamisel lülitage niiduk alati välja. Fikseerige tera(de) asend, kui seadet on vaja üle erinevat tüüpi pindade liikumiseks kallutada ja kui liigute erinevate niidetavate alade vahel.

KASUTAMINE ÜLDISED JUHISED:

- Enne selle seadme kokku panemist lugege läbi kogu käesolev kasutusjuhend. Enne, kui üritate seadet kasutada, lugege, tehke omale selgeks ja järgige kõiki juhendis toodud juhiseid. Enne selle seadme kasutamist tutvuge põhjalikult niiduki juhtseadmetega ja kasutusjuhenditega. Hoidke kasutusjuhendit kindlas kohas ja kasutage seda pidevalt, kui tekib küsimusi või soovite tellida varuosi.
- Kasutage sobivat seadet - muruniidukit tohib kasutada vaid niisuguste tööde jaoks, milleks see on ette nähtud.

- Ärge küünitage liigselt – töötage ainult kindlal maapinnal ja kohtades, kus pole ohtu tasakaalu kaotada.
- Muruniiduki teraga lendu paisatud objektid võivad inimestele raskeid vigastusi põhjustada. Enne niitmist tuleb muru alati kontrollida ja ohtlikud objektid eemaldada.
- Enne tagurpidi niitmist ja tagurpidi niites vaadake seljataha ja alla, et teie teele ei jääks väikseid lapsi või teisi inimesi.
- See seade pole mänguasi. Seetõttu olge kogu aeg väga ettevaatlik. See seade on mõeldud vaid ühe töö jaoks – muru niitmiseks. Ärge kasutage seda muudel eesmärkidel.
- Niiduk töötab paremini ja turvaliselt, kui seda kasutada ettenähtud kiirusel.
- Enne seadme kasutamist kontrollige alati visuaalselt ega terad, terade poldid või lõikur kulunud või kahjustatud pole. Kulunud või kahjustatud terad, poldid ja muud komponendid tuleb koheselt seadme tasakaalu säilitamiseks välja vahetada. Vahetage välja kahjustatud ja mitteleotavad etiketid.
- Seadet enda poole tõmmates olge väga ettevaatlik.
- Kontrollige põhjalikult ala, kus seadet kasutama hakatakse. Eemaldage kõik kivid, oksad, traadid, mänguasjad ja muud võõrkehad, mis võivad terade vahele kinni jääda või teraga kokku puutudes lendu paiskuda. Lendu paiskunud objektid võivad põhjustada raskeid vigastusi. Plaanige oma liikumistee nii, et niidetav muru ei paiskuks teedele, kõnniteedele, möödakäijate pihta või muus ebasoovitavas suunas. Samuti vältige niidetud muru paiskumist maja seinte või takistuste vastu, sest seal võib see tagasi vastu niiduki kasutajat paiskuda.
- Vältimaks kontakti teraga ja lendavate objektide põhjustatud vigastusi, olge niitmise ajal kogu aeg käepideme taga ning hoidke lapsed, kõrvalseisjad, abistajad ja loomad vähemalt 30 meetri kaugusel töötavast muruniidukist. Peatage masin, kui keegi siseneb tööpiirkonda.
- Kandke seadme kasutamise ja kohandamise või remontimise ajal silmade kaitseks alati kaitseprille. Rikošetiga niiduki alt paiskunud esemed võivad silmi raskesti vigastada. Tolmuses keskkonnas kandke alati näo- või tolumumaski.
- Riietuge asjakohaselt – ärge kandke ehteid ega avaraid riideid. Need võivad liikuvate osade vahele kinni jääda. Vältitingimustes töötades on soovitatav kasutada kummikindaid ja jalanõusid. Kandke kindlaid, tugeva tallaga jalanõusid ning keha ligi hoidvaid pükse ja särki. Soovitatav on kasutada kogu keha katvaid särki

ja pükse ning terasest varbaosaga kingi. Ärge kasutage seda seadet paljajalu, sandaalides ega libedates või kergetes (nt riidest) kingades.

- Ärge pange käsi ega jalgu pöörlevate osade lähedale ega lõikealuse alla. Kokkupuutek teraga võite vigastada oma käsi või jalgu.
- Puuduv või kahjustatud väljutusava kaane puhul on oht sattuda kontakti lõiketeradega või saada muruniiduki alt lendavate objektide poolt tekitatud vigastusi.
- Paljud vigastused tekivad, sest niidukit tõmmatakse libisemisest või komistamisest tingitud kukkumise käigus üle jala. Kui kukute, laske käed niidukist koheselt lahti.
- Kõndides ärge tõmmake niidukit kunagi enda poole. Kui tekib vajadus niidukiga tagurpidi seina või takistuse juurest eemale liikuda, vaadake esmalt alla ja taha, et vältida kukkumist ja seejärel toimige järgnevalt:
 - Astuge niipalju tagasi, et teie käed oleksid täiesti sirged.
 - Veenduge, et teie jalgealune on kindel ja püsitse tasakaalus.
 - Tõmmake niidukit aeglaselt tagasi mitte rohkem kui poole niiduki ja teie vahelise vahemaa võrra.
 - Vajadusel korrake nimetatud samme.
- Ärge töötage niidukiga, kui olete kasutanud alkoholi või narkootikume.
- Ärge kasutage seadet, mille turvapiirid on turvadetailid (nt deflektorid ja/või murukogujad) on kahjustatud või puuduvad.
- Olge tähelepanelik ja keskendunud Rakendage tervet mõistust. Ärge kasutage muruniidukit väsinuna.
- Mootori/tera juhtkäepide on turvaseade. Ärge üritage selle funktsionaalsust tühistada. Vastasel korral muutub turvaseade kasutuskõlbmatuks ning te võite saada liikuvate teradega kokku puutumise tingitud kehavigastusi. Mootori/tera juhtkäepide peab töötama mõlemas suunas kergesti ja vabastamisel liikuma automaatselt algasendisse tagasi.
- Vältige ohtlikke keskkondi – ärge kasutage niidukeid märgades või niisketes kohtades..
- Ärge kasutage seadet vihma ajal.
- Jälgige alati oma jalgealust. Libisemine ja kukkumine võib põhjustada raskeid vigastusi. Kui tunnete, et jalgealune muutub ebakindlaks, laske mootori/tera juhtkäepide koheselt lahti ning teraseiskub kolme minuti jooksul.
- Seisake tera, kui ületate kruusateid, jalgradu või autoteid.
- Kui seade peaks ebanormaalselt vibreerima hakkama, peatage mootor ja otsige koheselt vibreerimise põhjust. Vibratsioon hoiatab tavaliselt ohu eest.

- Kontrollige kahjustusi;
- Parandage või asendage kahjustatud osad, mida kasutajal on lubatud vahetada;
- Kontrollige ja tugevdage lahtised komponendid.
- Ärge kasutage niidukit ilma korraliku tagumise kaitsekiibita, väljutusava katteta, murukotita, multšimisavata, külgmiste tühjendusrennideta, mootori/tera juhtkäepidemeta või teiste turvaseadmeteta. Ärge kasutage kunagi kahjustatud turvaseadmetega niidukit. Selle nõude rikkumine võib põhjustada kehavigastusi.
- Kui esineb olukordi, mis pole käesolevas juhendis kirjeldatud käituge hoolsalt ja lähtuge tervest mõistusest. Küsige abi EGO hoolduskeskusest.
- Kasutage ainult järgnevalt nimetatud akuplokke ja laadijaid:

AKUPLOKK	LAADIJA
BA1120E, BA2240E, BA2800, BA3360, BA4200	CH5500E, CH2100E

- Akuplokk tuleb seadmelt enne selle tööea lõppu eemaldada.
- Aku käitlemine tuleb järgida ohutusreeglid.

TÖÖTAMINE KÜNKANÕLVAL:

Künkanõlval esineb kõige sagedamini libisemisi ja kukkumisi, mille tulemuseks võib olla raske vigastus. Kallakutel jälgige jalgealust eriti tähelepanelikult. Kallakutel töötades tuleb olla eriti tähelepanelik. Kui tunnete ennast kallakul ebakindlalt, ärge niitke sealt.

Kindlasti:

- Liikuge mööda küngaste külgi, mitte üles-alla. Kallakutel suunda muutes olge eriti ettevaatlik.
- Jälgige auke, roopaid, kive, peidetud takistusi ja mügarikke, mis võivad põhjustada libisemist või komistamist. Pikas murus võib leiduda takistusi.

Kindlasti mitte:

- Ärge niitke järsakute, kraavideega kaldapealsele lähedal, sest seal võite kaotada tasakaalu või jalgealuse.
- Ärge niitke küngastel, mille kaldenurk on suurem kui 15 kraadi.
- Ärge niitke märga muru Ebakindel jalgealune võib põhjustada libisemist.

HOOLDUS

⚠ HOIATUS: Murukoti komponendid, väljutusava kate, külgmine väljutusrenn, multšimisava ja tagumine kaitsekiip võivad kuluda ja kahjustada saada, mille tulemusena võivad liikuvad osad kaitseta jääda või võõrkehad lendu paiskuda, suurendades vigastuste ohtu. Turvalisuse huvides kontrollige komponente sagedasti vahetage kahjustatud

komponendid koheselt selles juhendis nimetatud identsete asenduosade vastu. Võtke ühendust EGO klienditeenindusega või lähima EGO hoolduskeskusega ja kutsuge remonditöid tegema kvalifitseeritud hooldustehnik!

- Kui niiduki sisseehitatud ülekoormuse kaitse lülitid aktiveerub tihti, kontakteeruge EGO klienditeenindusega.
- Ärge puhastage niidukit voolikuga, vältige vee sattumist mootorisse ja elektrühenduste peale.
- Eemaldage võti ja hoidke mittekasutatavat niidukit siseruumides. Enne niiduki suletud ruumi paigutamist laske mootoril jahtuda. Muruniidukit tuleks hoidakuivas, kõrges ja lukustatud kabiinis, lastele kättesaamatuna.
- Remontimisel kasutage vaid käesolevas juhendis loetletud originaalvaruosi. Algele tootespetsifikatsioonile mittevastavate varuosade kasutamine võib põhjustada häireid seadme töös ja puudujääke ohtuses.
- Enne niiduki hooldamist, puhastamist või võõrkehade eemaldamist ühendage akuplokk lahti ja võtke niiduki küljest ära.
- Järgige komponentide vahetamise juhiseid.
- Hoidke käepidemed kuivana, puhtana ja vältige õli ja rasva sattumist seadmele.
- Tuleohtu vähendamiseks vältige muru, lehtede ja mustuse kogunemist mootori kaanele.
- Kontrollige tihti, kas tera ja mootori paigalduspoldid on piisavalt tugevalt kinni. Samuti kontrollige visuaalselt, kas tera on kahjustusteta (paindumata ning mõradeta ja kulumistunnusteta) Tera võib asendada ainult identse asendustheraga, mille andmed on toodud käesolevas juhendis.
- Hoidke niidukit hoolikalt - parima ja ohutuima toimimise huvides hoidke niiduki tera teravana ja puhtana. Niiduki terad on teravad ja võivad lõigata. Hooldustoimingute ajaks katke tera kinni või kandke kindaid ja olge äärmiselt ettevaatlik.
- Ärge kunagi eemaldage ega rikkuge turvaseadmeid. Kontrollige regulaarselt nende korrasoolekut. Ärge kunagi tehke midagi, mis võiks segada turvaseadme funktsioneerimist või vähendada turvaseadme pakutavat kaitset.
- Enne rataste või lõikamiskõrguse kohandamist seisake alati mootor.
- Pärast võõrkehaga kokkupuutumist peatage mootor, eemaldage võti ja kontrollige põhjalikult ega niiduk kahjustatud pole. Enne niiduki kasutamist kõrvaldage kahjustused.
- Hooldage ja asendage turvakleebiseid ja juhendavaid kleebiseid vastavalt vajadusele. Võtke ühendust EGO

klienditeenindusega või lähima EGO hoolduskeskusega ja kutsuge remonditöid tegema kvalifitseeritud hooldustehnik!

- **HOIDKE SEE KASUTUSJUHEND ALLES.** Lugege seda sageli ning kasutage seda, et seadet sageli kasutavaid isikuid välja õpetada. Kui te seadet kellelegi laenate, andke sellega kaasa ka käesolev kasutusjuhend, et vältida seadme väärkasutamist ja võimalikke vigastusi.

AKUSEADMETE KASUTAMINE JA HOOLDUS

- Loodusressursside säilitamiseks järgige akude jäätmekäitlusnõudeid. See toode sisaldab liitiumioonakusid. Kohalikud ja riiklikud seadused keelavad liitiumioonakude olmeprügi hulka viskamist. Konsulteerige kohaliku jäätmekäitlusega tegeleva ametkonnaga, et saada informatsiooni ringlussevõtu ja/või kõrvaldamise võimaluste kohta.
- Pärast akuploki eemaldamist kõrvaldamise või utiliseerimise eesmärgil katke akuploki klemmid vastupidava kleeplindiga. Ärge üritage akuplokki hävitada ega lahti võtta ega ühtegi selle osa eemaldada. Liitiumioonakud tuleb nõuetekohaselt ringlusse saata või utiliseerida. Ärge kunagi puudutage klemme metallsemetega ega kehaosadega, sest see võib tekitada lühist. Hoidke lastele kättesaamatus kohas. Nende juhiste eiramine võib põhjustada tulekahju ja/või tõsisid vigastusi.
- **VALEDES TINGIMUSTES KASUTAMISEL VÕIB AKUST VEDELIKKU VÄLJA TULLA; VÄLTIGE KOKKUPUUED SELLEGA. KOKKUPUUTE TEKIMISEL LOPUTAGE VEEGA. KUI VEDELIK SATUB SILMA, PÕÕRDUGE LISAKS KA ARSTI POOLE.** Akust väljuv vedelik võib põhjustada ärritust või põletusi.

SPETSIFIKATSIOONID

Mudeli number	LM2120E	LM2120E-SP
Iseliikuv süsteem	Ei	Jah
Pinge	56 V	56 V
Tühikäigu kiirus	2800 /min	2800 /min
Lõikekõrgus	28-94 mm	28-94 mm
Lõikekõrguse valikud	6	6
Aluse suurus	53 cm	53 cm
Lõikelaius	52 cm	52 cm
Murukoti maht	70 L	70 L
Niiduki kõrgus (ilma akuplokita)	22,10 kg	24,55 kg
Tera mudel	AB2101	AB2101

Mõõdetud helirõhk L_{WA} $K=2$ dB(A)	89,9 dB(A)	89,5 dB(A)	
Helirõhk seadme operaa- tori kõrva juures L_{PA} $K=3$ dB(A)	87 dB(A)	87 dB(A)	
Garanteeritud helirõhu tase L_{WA} (vastavalt 2000/14/EN)	92 dB(A)	92 dB(A)	
Vibratsioon a_h $K=1,5$ m/s ²	Vasak- poolne käepide	$\leq 2,5$ m/s ²	$\leq 2,5$ m/s ²
	Parem- poolne käepide	$\leq 2,5$ m/s ²	$\leq 2,5$ m/s ²
Tera pidur	Jah	Jah	

- Ametlik vibratsioonitaseme näit on mõõdetud standardsete testmeetodite kohaselt ja seda võidakse kasutada erinevate tööriistade võrdlemiseks.
- Ametlikku vibratsioonitaseme näitu võib kasutada ka alge kokkupuutehinnangu andmiseks.

MÄRKUS: Tegelikul kasutamisel tekivad vibratsioonitase või ametlikult märgitud erineva; turvalisuse eesmärgil peaks seadme kasutaja kandma kindaid ja kuulmiskaitsemeid.

PAKENDI LOEND

OSA NIMI	KOGUS
Muruniiduk	1
Murukott	1
Murukoti raam	1
Multšimisava	1
Turvanupp	2
Kasutusjuhend	1

KIRJELDUS

TUNNE OMA NIIDUKIT (Joon. A ja B ja C)

- Turvanupp
- Iseliikuva süsteemi päästik
- Käepideme lukustusklamber
- Eesmine väljutusava
- Tagumine käepide
- Akuploki kaas
- LED-esituled

- Eesmine käepide
- Esiratas
- Lõikamiskõrguse kohandusnupp
- Lõiketerade kate
- Tagaratas
- Murukott
- Kiirkohandusnupp
- Küljerelss
- Iseliikuva süsteemi kiiruskontrolli hoob
- Kanglüüti (lüüti hoob)
- Käepide
- Multšimisava
- Püstise hoiustamise tugi
- Tagumine kaitsekilp
- LED-esituled sisselülitusnupp
- Toiteindikaator

KASUTAMINE

MURUKOTI KOKKUPANEK

- Lükake murukott raamile (joon. D).
- Kinnitage ülemised kinnitid raami külge (joon. E) ja pange kokku kahepoolsed kinnitid. Viimasena paigaldage alumine kinniti.
- Kokkupandud murukott on kujutatud joonisel F.

MÄRKUS: Tavakasutuse käigus koti materjal kulub Vigastusehou vähendamiseks kontrollige kotti pidevalt ja kulamise või kahjustuste tuvastamisel vahetage kott välja. Kasutage ainult selle niiduki jaoks toodetud murukotte.

LAHTIVÕETAVA KÄEPIDEME KOHANDAMINE

⚠ HOIATUS: Ärge üritage muruniidukit käivitada enne kui käepide on fikseeritud ühte kolmest eelseadistatud asendist (ÜLEMINE TÖÖASEND, KESKMINNE TÖÖASEND või ALUMINE TÖÖASEND).

Tarnimisel on niiduki käepide pandud kompaktsesse LUKUSTATUD HOIUASENDISSE (Joon. G)

- Hoidke all kiirkohandushooba, et vabastada käepide LUKUSTATUD HOIUASENDIST (Joon. H-1).
- Tõstke kokkupandud asendis olevat käepidet ja laske hoob lahti. Kallutage käepidetõrmalt ülespoole kuni tunnete ja kuulete, kuidas lukustustihvt ühte joonil 1 näidatud asenditest lukustub.
 - MURUKOTI KINNITUSED/EEMALDUSASEND (Joon. H-2)
 - ÜLEMINE TÖÖASEND (Joon. H-3)

- KESKMINE TÖÖASEND (Joon. H-4)
- ALUMINE TÖÖASEND (Joon. H-5)

KOGUMISKOTI/MULTŠIMISAVA KINNITAMINE/EEMALDAMINE

⚠ HOIATUS: Ärge kohandage töötava mootoriga, eemaldamata turvavõtmega või pöörlevate teradega niiduki. Oodake kuni terad on seiskunud.

MÄRKUS: Enne niitmise alustamist ühendage niiduki külge vajalikud lisaseadmed.

- Kogumiskoti kinnitamine/eemaldamine (Joon. I)

MÄRKUS: Enne kogumiskoti paigaldamist eemaldage eelpaigaldatud multšimisluuk.
- Multšimisluugi kinnitamine/eemaldamine (Joon. J)

LÕIKEKÕRGUSE MUUTMINE (Joon. K)

⚠ HOIATUS: Hoidke jalad niiduki alusest kõrguse muutmise ajal eemal. Niidukil on võimalik valida viie erineva lõikekõrguse vahel vahemikus 28 kuni 94mm. Valige muru tüübile ja seisukorrale vastav lõikekõrgusele.

MÄRKUS: Tööriista liigutamisel veenduge, et valitud lõikekõrgus on 3 või suurem. Vastasel juhul võite kahjustada tera.

AKUPAKI PAIGALDAMINE/EEMALDAMINE (Joon. L)

LAADIGE ENNE ESIMEST KASUTAMIST.

⚠ HOIATUS: Kui mõni seadme komponent on katkine või puudub, ärge proovige akuplokki niiduki külge kinnitada ega niidukit kasutada enne kui katkised või puuduvad komponendid pole asendatud. Selle nõude rikkumine võib põhjustada kehavigastusi.

- Ühendamiseks

Lükake akuplokki akukambrisse, kuni kuulete "klõpsu".
- Lahti ühendamiseks

Vajutage akukambris olevat akuvabastusnuppu. Joonise L osade kirjeldus, vt allapoole:

L-1	Turvavõtmepesa
L-2	Turvavõtt
L-3	Akuvabastusnupp

MÄRKUS: Jälgige, et niidukil olev riiv klõpsaks kohale ja et akuplokk oleks kindlalt fikseeritud asendis enne kui tööd alustate.

Niiduki käivitamine

⚠ HOIATUS: Kõigi muruniidukite kasutamisel on oht, et teie või kellegi teise silma paiskub võõrkehi, mis võivad põhjustada tõsiseid silmakahjustusi. Kandke niiduki kasutamisel või remontimisel/kohandamiseks alati kaitseprille.

⚠ HOIATUS: Ärge kasutage niidukit vihma ajal

⚠ HOIATUS: Niidukiga töötamise ajal ei tohi 30m raadiuses olla loomi ega teisi inimesi,

⚠ HOIATUS: Pärast niiduki välja lülitamist pöörleb tera veel mõne sekundi. Laske mootoril/teral pöörlemine lõpetada enne kui seadet uuesti käivitada püüate. Ärge lülitage niidukit kiiresti sisse/välja.

MÄRKUS: Mootorit ei saa käivitada kui:

- Käepide pole lukustatud tööasendisse
- Küljerelsid pole täielikult välja sirutatud (Joon. M).
- Mõlemad rohelised käepidet lukustavad klambrid pole turvaliselt suletud (Joon. N).

⚠ ETTEVAATUST. Ärge üritage muuta turvanupu või kanglüliti funktsiooni.

Alustamine (Joon. P)

- 1) Kinnitage akuplokk niiduki külge, sisestage turvavõtt võtmeauku ja sulgege aku kaas (joon. L).
- 2) Vajutage turvanupp alla, nagu on näidatud joonisel O.
- 3) Hoides turvanuppu all, tõmmake käivitusnõör kuni käepidemeni üles ja laske turvanupp lahti.

Peatamiseks (Joon. Q)

- 1) Laske kanglüliti lahti.
- 2) Automaatse pidurdusmehhanismi elektriline pidur peatab terade pöörlemise kolme sekundi jooksul pärast kanglüliti vabastamist.

MUUDETAVA KIIRUSEGA ISELIKUV SÜSTEEM

LM2120E-SP niidukil on muudetava kiirusega ISELIKUV süsteem. Süsteem pole seotud terade sisselülitusnupuga ega terade pöörlemisega.

Kui soovite süsteemi kasutada ilma pöörlevate teradeta, tõmmake iseliikuva süsteemi päästik käepideme juurde.

Seejärel laske iseliikuva süsteemi välja lülitamiseks päästiku ots lahti.

Süsteem on muutuva kiirusega. Kiiruse suurendamiseks liigutage terade kiiruskontrolli hooba edasi. Kiiruse vähendamiseks tõmmake terade kiiruskontrolli hooba tagasi (Joon. R).

Pöörleva lõiketeraga kasutamiseks:

1. Niiduki käivitamine
2. Hoides kanglüliti vastu käepidet, tõmmake iseliikuva süsteemi päästikut parema käega käepideme suunas.
3. Hoidke kanglüliti ja päästikut parema käega vastu käepidet ja kohandage vasaku käega pöörlemiskiirus soovitud tasemele.

MÄRKUS: Niitmise käigus on ümber takistavate objektide (nt puude, taimede) niitmisel mugavam liikuda, kui iseliikuv süsteem on välja lülitatud.

⚠ HOIATUS: Vigastusteohu vähendamiseks ärge üritage muuta lüliti ega isepöörleva süsteemi funktsionaalsust. Kasutage isepöörlevat süsteemi ainult ettenähtud eesmärgil.

NIIDUKI LED-TÖÖTULED (Joon. A-7)

Vajutage lüliti nuppi (Joon. C-22), et lülitada akukambri esiküljel asuvad LED-töötuled sisse/välja.

NIIDUKI VOOLUINDIKAATOR (Joon. S)

Niidukil on toiteindikaator, mis teavitab akuploki laetuse astmest ja niiduki olekust. Kui terad pöörlevad või LED-töötuled sisse lülitatakse, hakkab toiteindikaator põlema.

Niiduki vooluindikaator	Tähendus	Toiming
Põlev roheline	Niiduk töötab korralikult; akul on vähemalt 15% laengust alles	N/A
Põlev punane	Aku hakkab tühjaks saama	Seisake niiduk ja vahetage akuplokk
Vilkvu punane	Aku on peaaegu tühi	Seisake niiduk ja vahetage akuplokk
Põlev oranž	Niiduk või aku on ülekuumenenud	Eemaldage aku niidukist, viige varjulisse kohta ja laske vähemalt 15 minutit jahtuda.
Vilkvu oranž	Niiduk on ülekoormatud	Koormuse vähendamiseks aeglustage töötampot ja tõstke lõikamiskõrgust.

NIIDUKI ÜLEKOORMUSE KAITSE

Ülekoormuse ennetamiseks ärge üritage lõigata korraka liiga suurt kogust. Lõikekõrguse tõstmiseks aeglustage liikumiskiirust.

Niidukil on sisseehitatud ülekoormuse kaitse. Ülekoormuse korral mootor seiskub ja niidukil vilgub oranž tuli. Ühendage akuplokk lahti ja puhastage. Kontrollige, kas niiduki alla on muru kogunenud ja vajadusel puhastage alumine osa. Seejärel ühendage aku tagasi ja käivitage niiduk.

AKU KÕRGE TEMPERAATUURI KAITSE

Töö käigus toodab akuplokk soojust. Kuuma ilmaga eraldub soojust aeglasemalt. Kui aku töötemperatuur ületab 70°C, lülitab kaitse süsteem niiduki automaatselt välja, et vältida akuploki kahjustamist. Niiduki toiteindikaator põleb oranžilt. Laske kanglüliti lahti, oodake kuni akuploki jahtub umbes 67°C-ni ja käivitage niiduk uuesti.

HOOLDUS

⚠ HOIATUS: Raskete vigastuste vältimiseks eemaldage niiduki küljest enne puhastamist, hooldamist või transportimist turvavõti.

⚠ HOIATUS: Remontimisel kasutage vaid originaalvaruosi. Mis tahes muude osade kasutamine võib põhjustada ohtlikke olukordi või seadet vigastada. Ohutuse ja töökindluse tagamiseks tohivad seda seadet remondida ainult vastava kvalifikatsiooniga hooldustehnikud.

NIIDUKI PUHASTAMINE

Niiduki alumist osa tuleks pärast iga kasutuskorda sinna kogunenud lehtedest, porist ja muust prahist puhastada.

Eemaldage niiduki veovõlliile ja veovõlli (ainult mudeli LM2120E-SP puhul) ja mootori ventilatori ümber kogunenud muru ja lehed (ärge kasutage selleks vett). Pühkige niiduk niiske lapiga puhtaks.

TERA EEMALDAMINE/PAIGALDAMINE

⚠ HOIATUS: Kaitske alati oma käsi, kasutades niiduki terade hooldamisel tugevaid töökindaid või kattes teravad ääred rätikute või muu kattega. Niiduki hooldamise ja transportimise ajaks eemaldage alati akuplokk.

- Tera eemaldamine
Vaadake joonist T.

MÄRKUS: Kui poldi lahti keeramisel hakkab see koos mootori võlliga pöörlema, pöörake ventilatorit käega nii, et teral ja ventilatoril oleval augud oleksid kohakuti ning lükake kohakuti olevatesse aukudesse teine metallvarras (joonis U).

■ Tera paigaldamine

Järgige joonisel V näidatud toimingute järjestust. Hoides ventilaatoripoolset tera külge niiduki aluse pool ja kirjaga tera külge väljaspool joondage ventilaatoris olevad augud teral olevate aukudega (joonis W) ja keerake tera kinni, nagu näidatud joonisel X.

Jooniste U ja V osade kirjeldust vaadake altpool:

U-1	Stabilisaator 1	V-2	Seesmine äärik
U-2	Stabilisaator 2	V-3	Tera
U-3	14mm-nutrivõti	V-4	Välimine äärik
V-1	Ventilaator	V-5	Polt

MÄRKUS: Tera poldi soovitatav kinnitustugevus on 49-59Nm.

NIIDUKI HOIUSTAMINE

- Eemaldage akuplokk niiduki küljest ja hoidke seda jahedas, kuivas ja puhtas kohas. Ärge hoidke niidukit korrosiivsete ainete nt väetised või kivisool.
- Hoidke niidukid kinnises ja suletud ruumis, mis on jahe, kuiv ja lastele kättesaamatu.
- Ärge katke muruniidukit kilega. Kilekatted koguvad niiduki ümber niiskust, mis põhjustab roostet.
- Niidukit võib hoida püstises asendis (Joon. Y).

⚠ HOIATUS: Kui niiduk hakkab püstisest asendist ära vajuma, võivad sellega kaasneda niiduki kahjustumine või inimestele põhjustatud vigastused. Hoidke püstises asendis hoiustatud niidukit alati kindlal maapinnal ja lastele kättesaamatus kohas. Võimalusel hoiustage niidukit tavalisel töökujul.

Keskonnakaitse



Ärge visake elektriseadmeid, akulaadijat ega patareisid / akusid olmeprügi hulka!

Vastavalt Euroopa Liidu eriaruandele nr 19/2012 tuleb elektri- ja elektroonika-seadmed, mis pole enam kasutatavad, ning, vastavalt direktiivile 2006/66/EÜ, ka defektsed või kasutatud akuplokkid / patareid, eraldi kokku koguda.

Kui elektriseadmed maetakse maa sisse või viiakse prügimäele, võivad ohtlikud ained põhjavekke lekkida ja toiduahelasse sattuda ning kahjustada teie tervist ja heaolu.

EN VASTAVUSDEKLARATSIOON

Meie, EGO EUROPE GMBH

Wahlwiesenstrasse 1, D-71711 Steinheim an der Murr Deutschland

Kinnitame, et see toode, **56-voldise akuga juhtmeta jõhvtrimmer LM2120E/LM2120E-SP** vastab järgmiste direktiividega sätestatud esmastele tervise- ja turvanõuetele: 2006/42/EÜ, 2014/30/EL, 2011/65/EL, 2000/14/EÜ

Viidatud standardid ja tehnilised spetsifikatsioonid:

EN 60335-1, EN 60335-2-77, EN 62233, EN 55014-1, EN 55014-2

	LM2120E	LM2120E-SP
Möödetud helivõimsuse tase:	89.9 dB(A)	89.5 dB(A)
Garanteeritud helivõimsuse tase:	92 dB(A)	92 dB(A)

Vi lisas kirjeldatud vastavushindamismenetlust järgitakse vastavalt direktiivile 2000/14/EÜ.

Teavitatud asutus: Société Nationale de Certification et d'Homologation

Teavitatud asutuse number: 0499

Peter Melrose
EGO Europe GmbH tegevjuht

Dong Jianxun
Chevroni kvaliteedijuht

* (CHERVONI volitatud esindaja ja tehniliste dokumentide eest vastutav isik)

01/09/2016

TÖRKEOTSING

⚠ HOIATUS: Niiduki hooldamise ja transportimise ajaks eemaldage alati turvavõti ja akuplokk. Kaitske alati oma käsi, kasutades niiduki terade hooldamisel tugevaid töökindaid või kattes teravad ääred rätikute või muu kattega.

PROBLEEM	PÕHJUS	LAHENDUS
Niiduk ei käivitu	<ul style="list-style-type: none"> ■ Akuplokk on tühi. ■ Akuplokk ei ole akusahtlisse kinnitatud ■ Akuplokk või niiduki vooluring on liiga kuum. (Niiduki toiteindikaator põleb 10 sekundit oranžilt.) ■ Küljerelsid pole maksimumalutuses välja sirutatud ja klambrid pole asendisse lukustunud. ■ Käepide pole ühes kahest tööasendist. ■ Muruniiduki alla on kogunenud liiga palju muru ja prahti. 	<ul style="list-style-type: none"> ■ Laadige akuplokk. ■ Kinnitage akuplokk niiduki külge ja suruge sellele, kuni kuulete klõpsatust. ■ Jahutage akuplokki või niidukit, kuni temperatuur langeb alla 67°C. ■ Lükake käepide maksimaalselt välja ja lukustage mõlemad kinnitused. ■ Kohandage käepide ühte kahest tööasendist. ■ Puhastage niiduki alus ja veenduge, et tera saab vabalt liikuda.
Niiduk löikab ebaühtlaselt	<ul style="list-style-type: none"> ■ Tera on nüri. ■ Lõikekõrgus pole korrektselt seadistatud ■ Tera on valesti külge monteeritud. 	<ul style="list-style-type: none"> ■ Teritage tera või vahetage see välja. ■ Tõstke alust kõrgemale, et niita kõrgemalt. ■ Paigaldage tera tagasi, järgides käesoleva juhendi peatükis "TERA PAIGALDAMINE" antud juhiseid.
Niiduk seiskub niitmise ajal	<ul style="list-style-type: none"> ■ Akuplokk on tühi. ■ Muruniiduk on ülekoormatud. ■ Muruniiduki alla on kogunenud liiga palju muru ja prahti. ■ Akuplokk või niiduki vooluring on liiga kuum. (Niiduki toiteindikaator põleb 10 sekundit oranžilt.) ■ Külgrells tõmbub veidi tagasi käepidemele mõjuva tõukejõu toel. 	<ul style="list-style-type: none"> ■ Laadige akuplokk. ■ Suurendage lõikekõrgust või niitke aeglasemalt ■ Eemaldage niiduki alla kogunenud mass. Suurendage lõikekõrgust või niitke kitsamat riba. ■ Jahutage akuplokki või niidukit, kuni temperatuur langeb alla 67°C. ■ Avage kinnitused. Lükake küljerelsid lõpuni välja ja fikseerige kinnitused uuesti.

PROBLEEM	PÕHJUS	LAHENDUS
Niiduk ei multsi korralikult	<ul style="list-style-type: none"> ■ Märja muru tükid jäävad muruniiduki aluse külge kinni. ■ Niiduk on seadistatud nii, et korraga lõigatakse liiga palju muru. 	<ul style="list-style-type: none"> ■ Enne niitmist oodake, et muru kuivaks. ■ Tõstke muruniiduki alust kõrgemaks, et suurendada lõikekõrgust.
Esineb liigset vibratsiooni	<ul style="list-style-type: none"> ■ Lõiketera on lahti. ■ Lõiketera on tasakaalustamata. ■ Lõiketera on paindunud. ■ Mootorivõll on paindunud. 	<ul style="list-style-type: none"> ■ Keerake tera polt tugevamalt kinni. ■ Tasakaalustage tera vastavalt juhendile. ■ Vahetage tera. ■ Võtke ühendust hoolduskeskusega.
Käepideme lukustusklambreid ei saa suletud asendis fikseerida	<ul style="list-style-type: none"> ■ Küljerelsid pole täielikult välja lükatud. 	<ul style="list-style-type: none"> ■ Lükaki küljerelsid lõpubi välja ja lukustage klambrid.

GARANTII

EGA GARANTIIPÕHIMÕTTED

Täielikud EGO garantiitingimused leiate veebilehelt egopowerplus.com.

KEES VAN DER SPEK
OLWIJK

KEES VAN DER SPEK
TUINMACHINES ★ STOLWIJK