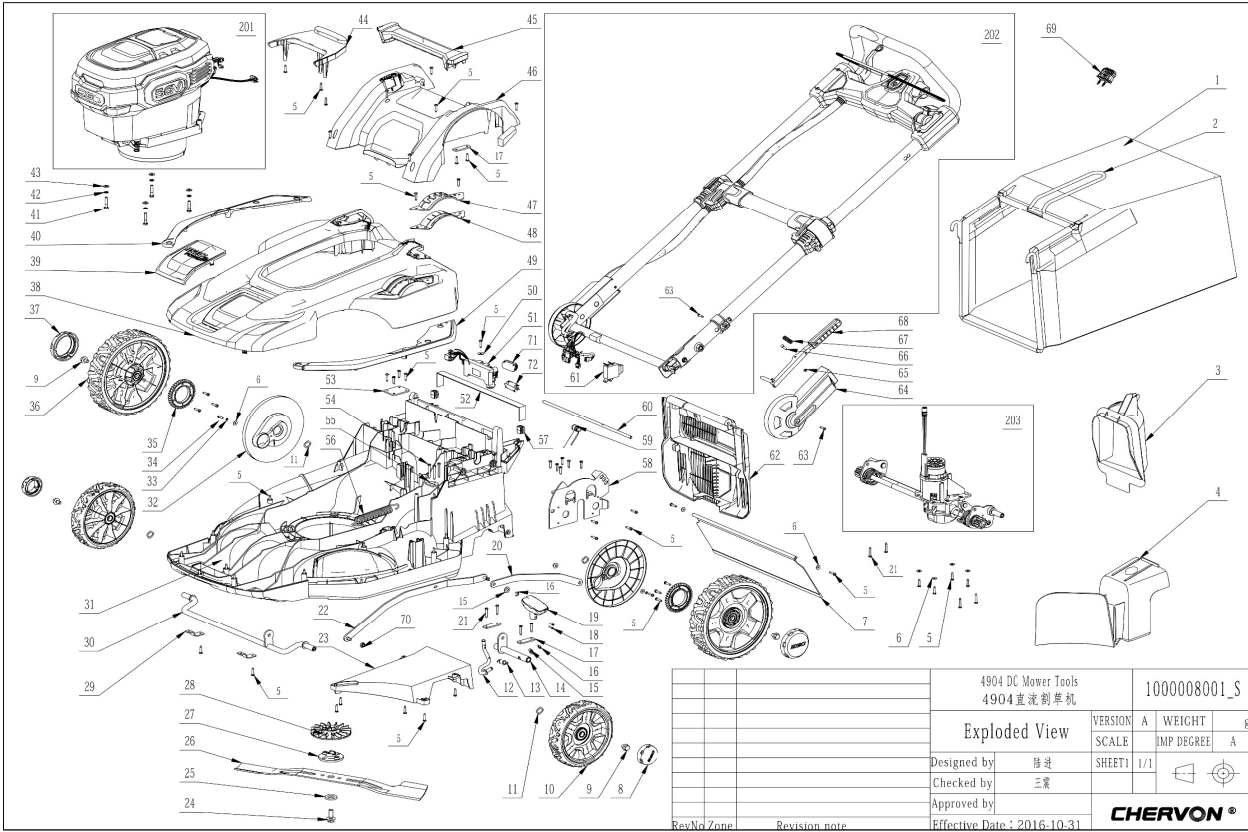


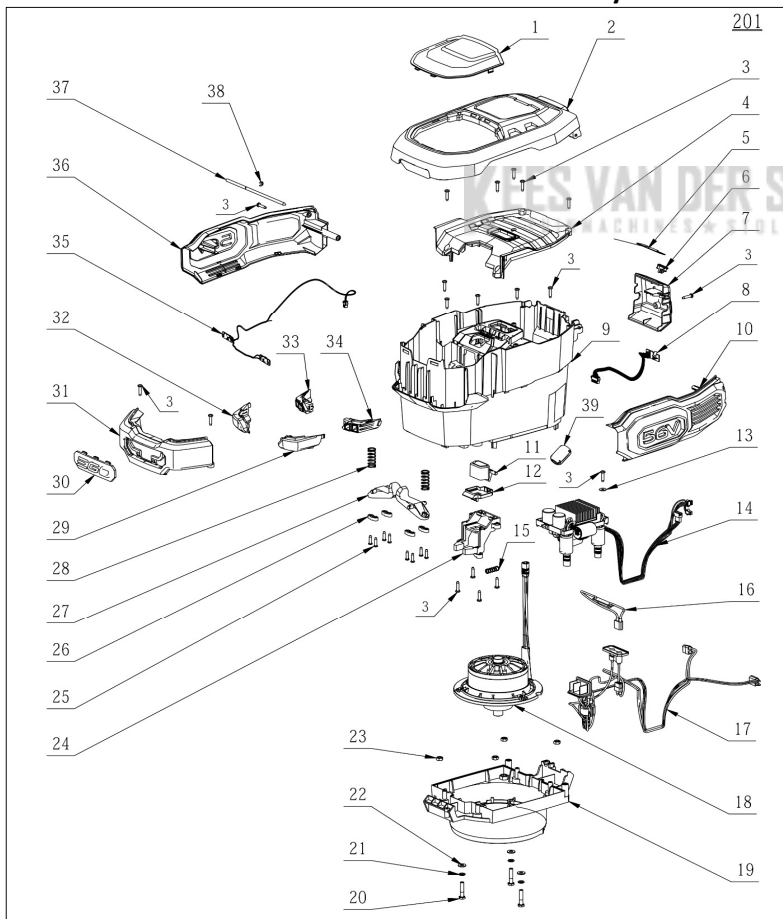
LM2120E-SP + LM2122E-SP



Index No.	Art. No.	Technical Information	Description	QTY in machine
1	3800074001		Grass Catcher	1
2	3705442002		Bag Frame	1
3		Available as accessory	Side Discharge Chute ASSY	1
4	3127924001		Mulch Plug ASSY	1
5	5610042014		Tapping Screw	63
6	5650004001		Plain Washer	8
7	3126391001		Trail Shield	1
8	3126769001		Hubcap	2
9	5640010003		Hexagon Flange Bolt	4
10	2824429001		Wheel Assembly	2
11	5650453001		Wave Washer	4
12	2823295001		Handle Lever Set	1
13	3660558001		Tension Spring	1
14	2823322001		Shaft ASSY	1
15	5650025004		Plain Washer	2
16	5660139002		E Ring	2
17	3705398001		Mounting Plate	3
18	5620065004		Screw	2
19	3321478001		Height Adjusting Lever	1
20	3705142001		Connecting Rod	1
21	5610044002		Tapping Screw	8
22	2824668001		Connecting Rod Set	1
23	3127925001		Rear Enclosure	1
24	5640226001		Flange Bolt	1
25	5650510001		Washer	1
26		Available as accessory	Blade	1
27	3520852002		Motor Bushing	1
28	3127847001		Fan	1
29	3705216001		Mounting Plate	2
30	2824194001		Front Axle Set	1
31	3127932001		Deck	1
32	3127923001		Protecting Cap	2
33	5650007001		Spring Washer	2
34	5620041006		Screw	2
35	3520933001		Gear	2
36	2824430001		Wheel Assembly	2
37	3126765001		Hubcap	2
38	3127975001		Housing Cover ASSY	1
39	3127974001		Decorative Cover ASSY	1
40	3127939001		Right Cover	1
41	5640008003		Hexagon Head Bolt	4
42	5650168002		Spring Washer	4
43	3700076001		Plate	4
44	3127892001		Service Cover	1

45	3127976001		Auxiliary Handle	1
46	3127926001		Service Cover	1
47	3705896001		Depth Stop Plate	1
48	3128083001		Rubber Pad	1
49	3127940001		Left Cover	1
50	3700353001		Washer	1
51	2830177001		Electric Assembly	1
52	3706018001		Spongy Cushion	1
53	3705440001		Clamp	1
54	5610047003		Tapping Screw	3
55	3705397001		Clamp	1
56	3660557001		Tension Spring	1
57	3127738001		Rubber Gasket	2
58	2824383001		Fixed Set	1
59	3660559001		Torsion Spring	1
60	5670345001		Shaft	1
61	4870566002		Push Switch	1
62	3126689003		Rear Cover ASSY	1
63	5610032004		Tapping Screw	2
64	3126912001		Decorative Cover ASSY	1
65	5660003003		E Ring	1
66	3550048003		Pin	1
67	3660565001		Compression Spring	1
68	2824250001		Handle Lever Set	1
69	5680196001		Key	1
70	5630013003		Prevailing Torque Hexagon Nut	2
71	3680226001		Magnetic Block	1
72	3680227001		Magnetic Block	1
201	2824822002		Power Unit	1
202		Not available as spare part	Handle ASSY	1
203	2824918002		Self-Propelled Unit	1

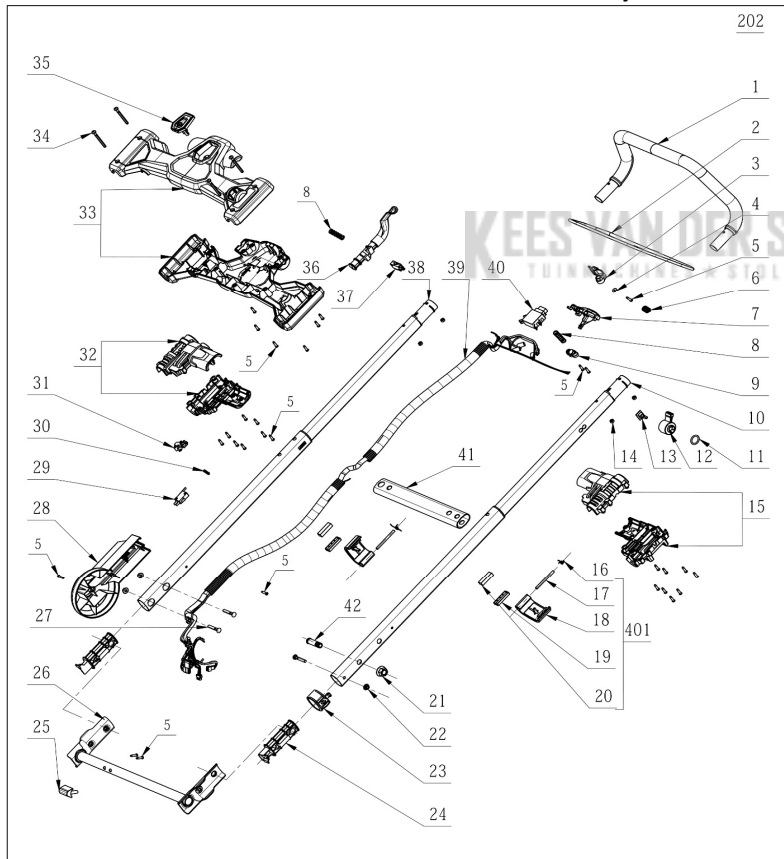
LM2120E-SP + LM2122E-SP 201 Motor assembly



1	3127900001		Transparent Guard	1
2	3127880001		Battery Cover ASSY	1
3	5610042014		Tapping Screw	19
4	3127879001		Inner Cover ASSY	1
5	4870558002		Film Switch	1
6	3127891001		Power Indicator Cover	1
7	3127890001		Cover	1
8	2830186001		Electric Assembly	1
9	3127881001		Battery Box	1
10	3127899001		Decorative Cover	1

11	3126760001		Release Button	1
12	3126772001		Sliding Block	1
13	5650004001		Plain Washer	1
14	2830176001		Electric Assembly	1
15	3660303002		Spring	1
16	2830216001		PCB Assembly	1
17	2830201002		Electric Assembly	1
18	2730249001		DC Motor	1
19	3127886001		Bottom Support	1
20	5640008003		Hexagon Head Bolt	3
21	5650168002		Spring Washer	3
22	3700076001		Plate	3
23	5630015001		Prevailing Torque Hexagon Nut	4
24	3126782001		Fixed Unit	1
25	5610032004		Tapping Screw	8
26	3122798001		Cord Anchorage	4
27	3126773001		Lever	2
28	3660306002		Spring	2
29	3127982001		Transparent Cap	1
30	3321927001		EGO Logo	1
31	3127889002		Front Cover	1
32	3127981001		Transparent Cap	1
33	3127983001		Reflector	1
34	3127984001		Reflector	1
35	2830182001		Electric Assembly	1
36	3127898001		Decorative Cover	1
37	5670380001		Pin	1
38	5660003003		E Ring	1
39	3680226001		Magnetic Block	1

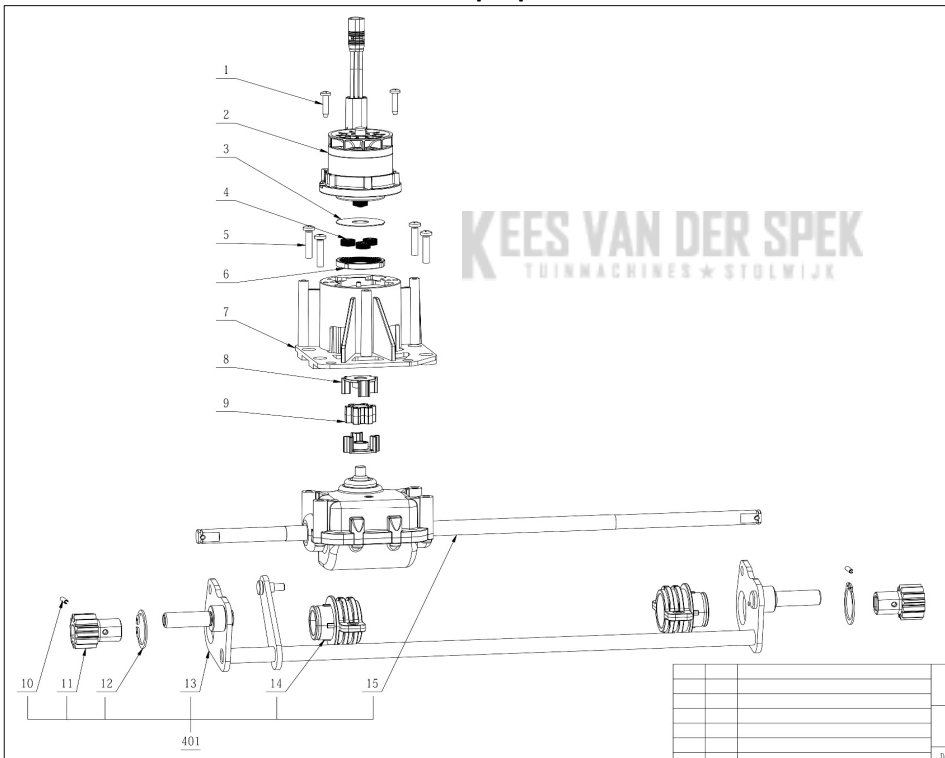
LM2120E-SP + LM2122E-SP 202 Handle assembly



1	2823782001		Sheath ASSY	1
2	2824118001		Control Handle ASSY	1
3	3127905001		Switch Actuator	1
4	5650004001		Plain Washer	1
5	5610032004		Tapping Screw	31
6	3660011002		Spring	1
7	3127908001		Switch Lever	1
8	3660562001		Compression Spring	2
9	3126763001		Clamp	1
10	2824292001		Telescope Tube	1
11	3123112001		O Ring	1
12	3127930001		Adjusting Knob	1
13	4890439003		PCB Assembly	1
14	5630006002		Prevailing Torque Hexagon Nut	4

15	2824427001		Left Cover Set	1
16	3660568001		Torsion Spring	1
17	5670191002		Parallel Pin	2
18	3126790002		Control Handle	2
19	3126761001		Clamp Block	2
20	3126832001		Rubber Block	2
21	5630268001		Nut	1
22	5630013001		Prevailing Torque Hexagon Nut	3
23	3126775001		Fixing Block	1
24	3126788001		Tie-in	2
25	3126783001		Switch Level	1
26	2823431002		Spindle ASSY	1
27	5640168001		Square Neck Bolt	3
28	3126912001		Decorative Cover	1
29	4870500001		Micro Switch	1
30	3660287002		Spring	1
31	3126768001		Switch Actuator	1
32	2824426001		Right Cover Set	1
33	2824305001		Switch Box Cover ASSY	1
34	5610064005		Thread Forming Screw	4
35	3127929001		Button	1
36	3127928001		Control Handle	1
37	4870563001		Push Switch	1
38	2824295001		Telescope Tube	1
39	2824979001		Internal Wire ASSY	1
40	4870566001		Push Switch	1
41	3705393001		Intermedium Tube	1
42	3551952001		Sleeve	1
401	2823714002		Control Handle Set	2

LM2120E-SP + LM2122E-SP 203 Self propelled unit



1	5610042014		Tapping Screw	2
2	2824920002		Motor & Gear ASSY	1
3	3703931002		Gasket	1
4	3520868001		Planet Gear	3
5	5610060004		Tapping Screw	4
6	3520519001		Ring Gear	1
7	2824425002		Shaft ASSY	1
8	3520672001		Shaft Connector	2
9	3126674001		Connector	1
10	5670003003		Spring Pin	2
11	3520865001		Pinion	2
12	5660152002		Circlips For Shaft	2
13	2824666001		Rear Axle Set	1
14	2824423001		Bearing Support ASSY	2
15	2824148001		Transmission ASSY	1
401	2824917002		Rear Axle Set	1