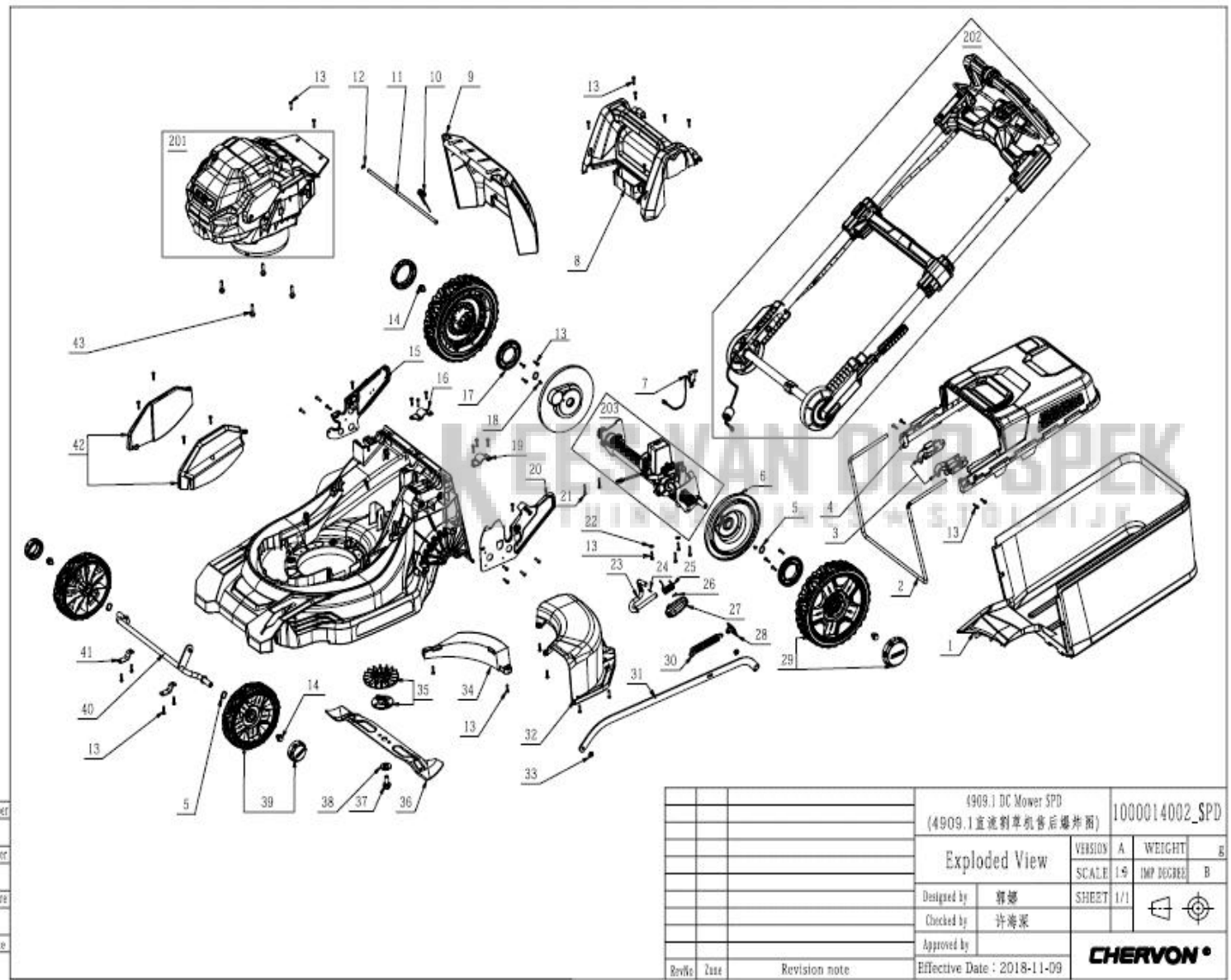


Repair Parts_47cm SP mower_4909.1(LM1900E-SP)

Model No. LM1903E-SP



bet
xc
jz
te

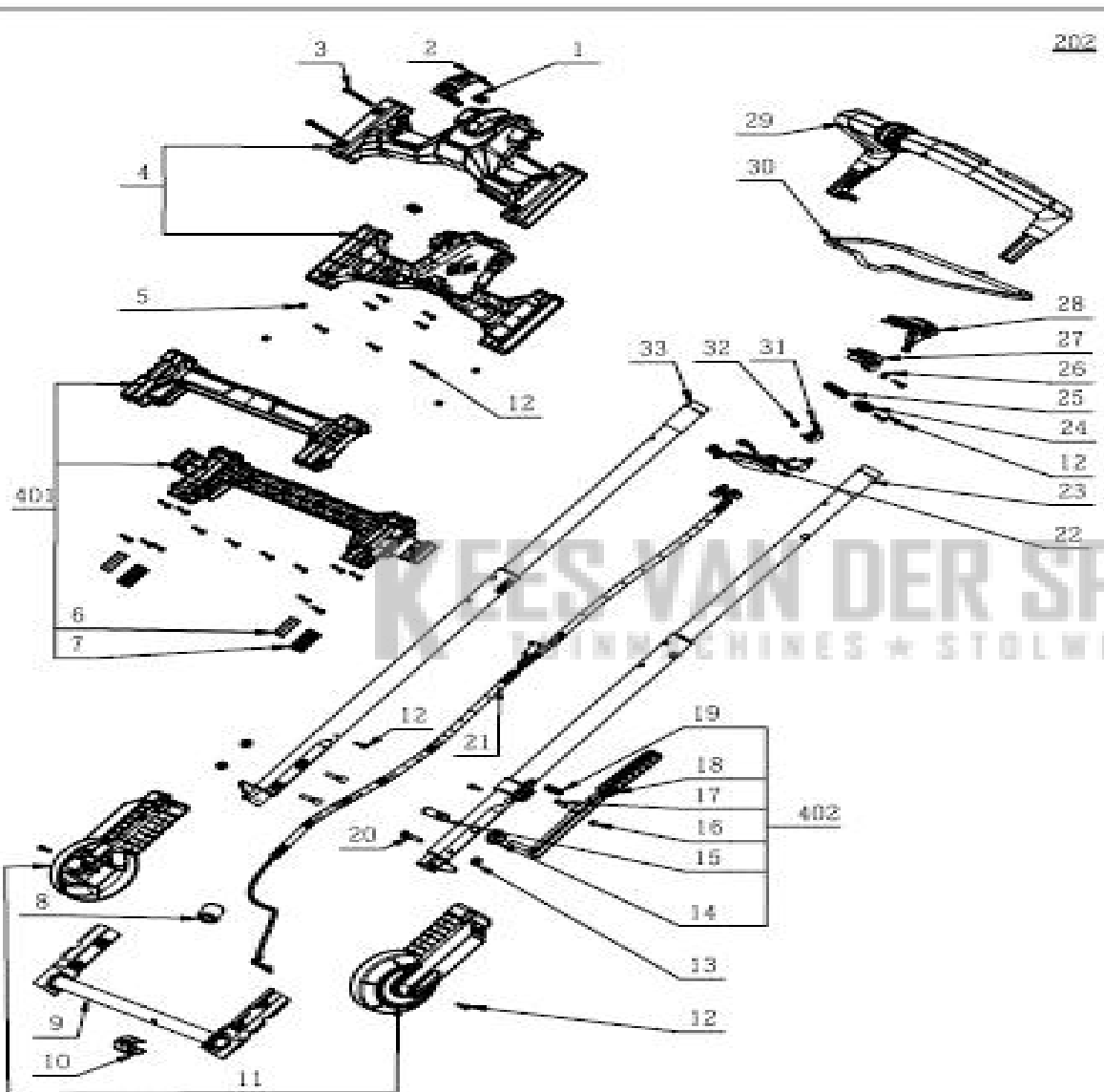
		4909.1 DC Mower SPD (4909.1 直流割草机售后爆炸图)		1000014002_SPD	
		Exploded View		VERSION	A
				WEIGHT	g
				SCALE	1:5
				IMP DECREE	B
		Designed by 郭想		SHEET 1/1	
		Checked by 许海梁			
		Approved by			
		Effective Date : 2018-11-09			
Rev/No	Date	Revision note			

Index No.	Service Part No.	Description	QTY in machine
1	3800147001	Grass Catcher Assembly	1.0
2	3706590001	Bag Frame	1.0
3	3900087001	Pothook Assembly	1.0
4	2826309001	Cover Assembly	1.0
5	5650453001	Wave Washer	4.0
6	3128946001	Protecting Cap	2.0
7	2826165001	Switch Assembly	1.0
8	2825932001	Service Cover Assembly	1.0
9	3129298001	Rear Cover	1.0
10	3660559001	Torsion Spring	1.0
11	5670487001	Shaft	1.0
12	5660139002	E Ring	1.0
13	5620157006	Hexagon Socket Screw	50.0
14	5640010003	Hexagon Flange Bolt	4.0
15	2825957001	Support ASSY	1.0
16	3706864001	Mounting Plate	1.0
17	3520933001	Gear	2.0
18	5620067010	Screw	2.0
19	3706719001	Mounting Plate	1.0
20	3706717001	Support Plate	1.0
21	5620480002	Screw	4.0
22	5650004001	Plain Washer	2.0
23	2825933001	Handle Lever Set	1.0
24	5670184002	Pin	1.0
25	3660723001	Torsion Spring	1.0
26	5620033010	Screw	1.0
27	3128692001	Height Adjusting Lever	1.0
28	3706726001	Spring Seat	1.0
29	2826674001	Wheel Assembly	2.0

WES VAN DER SPEK
TOLMACHINES * STOLWIJK

30	3660720001	Tension Spring	1.0
31	2825931001	Connecting Rod ASSY	1.0
32	3129547001	Cover	1.0
33	5630013003	Prevailing Torque Hexagon Nut	2.0
34	3129546001	Rear Enclosure	1.0
35	2826616001	Fan Assembly	1.0
36	3706720001	Blade	1.0
37	5640226001	Flange Bolt	1.0
38	5650510001	Washer	1.0
39	2826675001	Wheel Assembly	2.0
40	2825956001	Front Axle Set	1.0
41	3705216001	Mounting Plate	2.0
42	3900085001	Decorative Cover ASSY	1.0
43	5640217001	Bolt and Washer Set	4.0
201	2826488002	Power Unit	1.0
202		Handle ASSY	1.0
203	2825970001	Self-Propelled Unit	1.0


FREDRIK VAN DER SPEK
 TUINMACHINES * STOLWIJK



202

KES VAN DER SPEK
 HANDELSMACHINE * STOLWIJK

67			

Handle ASSY
 (4909.1把手组件)

2825952002_SPD

202		Handle ASSY	
1	3660011002	Spring	2.0
2	3129665001	Button	1.0
3	5620161005	Hexagon Socket Screw	4.0
4	3900081001	Switch Box ASSY	1.0
5	5630006002	Prevailing Torque Hexagon Nut	4.0
8	3680282001	Magnet Ring	1.0
9	2826588001	Spindle ASSY	1.0
10	3129714001	Switch Actuator	1.0
11	3900177001	Decorative Cover ASSY	1.0
12	5620157006	Hexagon Socket Screw	27.0
13	5630013003	Prevailing Torque Hexagon Nut	3.0
20	5640168001	Square Neck Bolt	3.0
21	2826080001	Internal Wire ASSY	1.0
22	2830410001	4909.1 Switch Electric Assembly	1.0
23	2825948001	Telescope Tube	1.0
24	3126763001	Clamp	1.0
25	3660562001	Compression Spring	1.0
26	5650004001	Plain Washer	1.0
27	3127905001	Switch Actuator	1.0
28	3127908001	Switch Lever	1.0
29	2826560002	Handle Set	1.0
30	3650208001	Control Handle	1.0
31	3129632001	Switch Actuator	1.0
32	3660724001	Torsion Spring	1.0
33	2825949001	Telescope Tube	1.0
401	2826544001	Beam Assembly	1.0
6	3126832001	Rubber Block	2.0
7	3129506001	Clamp Block	2.0
402	2826613001	Handle Lever Set	1.0
14	5630268001	Nut	1.0

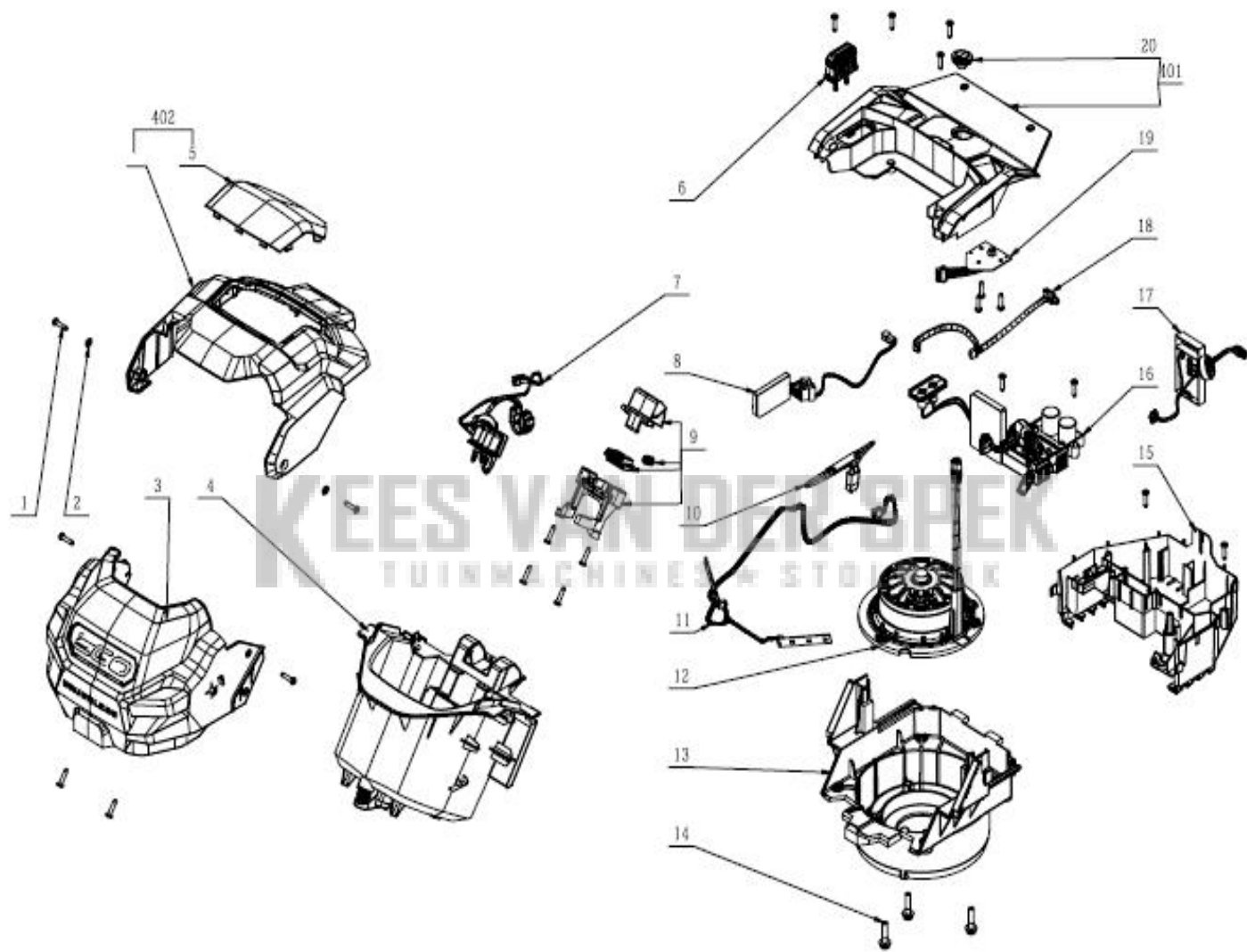


J. VAN DER SPEK

 MACHINES + STOLWIJK

15	3551952001	Sleeve	1.0
16	5660003003	E Ring	1.0
17	3550048003	Pin	1.0
18	2824250001	Handle Lever Set	1.0
19	3660565001	Compression Spring	1.0

KEES VAN DER SPEK
TUINMACHINES ★ STOLWIJK



			Power Unit (单包动力头)	2826488002_SPD

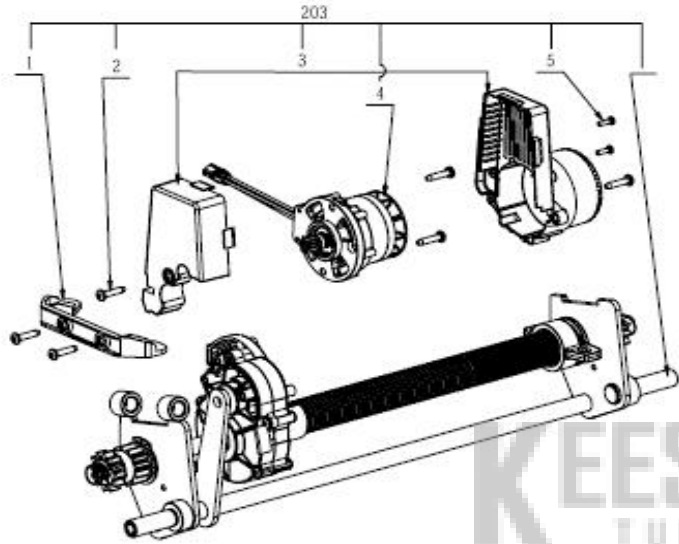
201	2826488002	Power Unit	
1	5620157006	Hexagon Socket Screw	21.0
2	5650013004	Plain Washer	2.0
3	2826307001	Top Cover ASSY	1.0
4	2826306001	Battery Box ASSY	1.0
6	5680196001	Key	1.0
7	4860570001	Wiring Harness	1.0
8	2830414001	4908 LED Control Electric Assembl	1.0
9	2826617001	Button Unit	1.0
10	2830216002	4908 Fuse PCBA	1.0
11	2830412001	4908 LED Electric Assembly	1.0
12	2730253001	DC Motor	1.0
13	3403069001	Bottom Support	1.0
14	5640217001	Bolt and Washer Set	3.0
15	3129434001	Mounting Plate	1.0
16	2826492002	4909.1_Electric Assembly	1.0
17	2830416001	Electric Assembly	1.0
18	4860615001	Internal Wire ASSY	1.0
19	2830413001	4908 Push Button Panel PCBA	1.0
401	2826308001	Rear Cover ASSY	1.0
20	3322491001	Button	1.0
402	2826310001	Battery Cover ASSY	1.0
5	3129442001	Transparent Guard	1.0



 JES VAN DER SPEK

 TOEGEBORVENES * STOLWIJK

203



Self-Propelled Unit
(自行车组件)

2825970001_SPD

203		Self-Propelled Unit	
1	3128943001	Support	1.0
2	5620157006	Hexagon Socket Screw	6.0
3	3900208001	Dust Cover	1.0
4	2826577002	Motor & Gear ASSY	1.0
5	5620033010	Screw	2.0