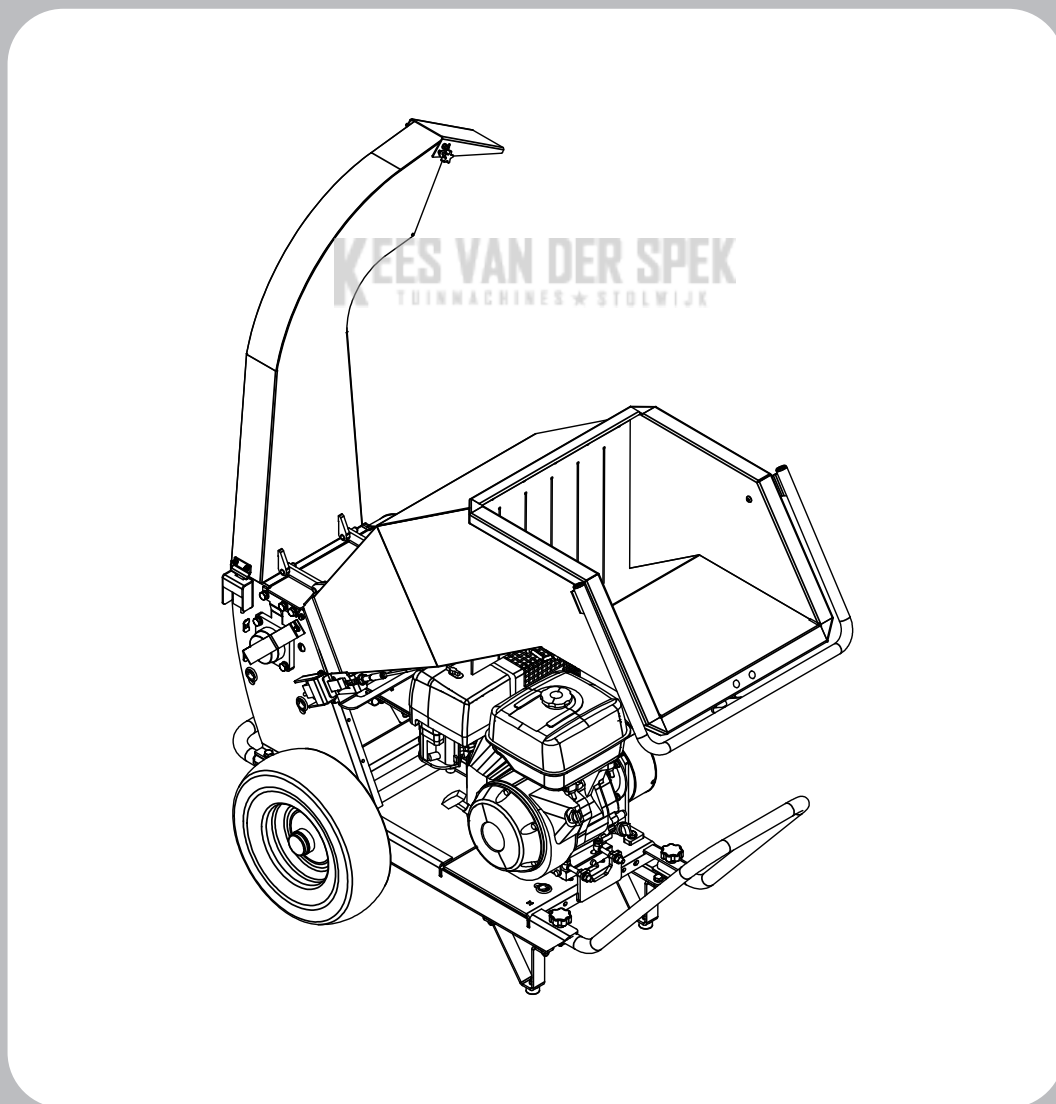


## **Houtversnipperaar - Broyeur Wood chipper - Häcksler GTS1300**



**KEES VAN DER SPEK**  
TUINMACHINES ★ STOLWIJK

## Contents

A.	Parts list complete .....	4
B.	Frame & shredderbox parts.....	8
C.	Input & output parts .....	10
D.	Belt parts .....	14
E.	Engine, wheel & handle parts.....	18
F.	Accessoires .....	22

**KEES VAN DER SPEK**  
TUINMACHINES ★ STOLWIJK

## A. Parts list complete

PARTNR.	ARTICLE NUMBER	PART NAME	QTY
1	MZSGTSM033163000	GTS1300 V5 frame for gasoline	1
2	MZSGTSM023003000	bumper	1
3	MZSGTSM030176000	shredder box	1
4	MZSGTSS01M10035NFN	hex bolt M10x35	10
5	MZSGTSS040M1020PIR	plain washer 10	55
6	MZSGTSS03M10000L0N	tall self lock nut with nylon insert M10	18
7	MZSGTSS180000006	feedthrough coil 34-27x21.0	3
8	MZSGTSS99M120800	thread plug M12x1.5-8	1
9	MZSGTSM053001000	bearing cap	1
10	MZSGTSM033040000	bearing cap support	1
11	MZSGTSS01M06010NFN	hex bolt M6x10	2
12	MZSGTSS040M0615LIR	open spring washer 6	6
13	MZSGTSS040M0612PIR	plain washer 6	26
14	MZSGTSS01M10025NFN	hex bolt M10x25	8
15	MZSGTSS040M1016LIR	open spring washer 10	21
16	MZSGTSS12SSFY506NN	flanged bearing house FY506M	2
17	MZSGTSS01M10016NFN	hex bolt M10x16	5
18	MZSGTSM033164000	GTS1300V5 top of box	1
19	MZSGTSS01M10030XFN	special M10 bolt for blade	10
20	MZSGTSM03014300PX1	X1 blade GTS1300	2
21	MZSGTSM033020000	rotor	1
22	MZSGTSS01M06016NFN	hex bolt M6x16	4
23	MZSGTSM033012000	rotor protector	2
24	MZSGTSM033017000	counter blade GTS1300	1
25	MZSGTSS01M10020JFN	inner hexagon socket head cap bolt M10x20	5
26	MZSGTSM033160000	GTS1300 low hopper	1
27	MZSGTSS01M06020NFN	hex bolt M6x20	5
28	MZSGTSS03M06000L0N	tall self lock nut with nylon insert M6	12
29	MZSGTSM053009000	rubber curtain low hopper GTS1300	1
30	MZSGTSM053008000	steel strip for rubber curtain low hopper	1
31	MZSGTSS01M06016XPN	carriage bolt M6x16	4
32	MZSGTSS240000008	cable assembly panic bar	1
33	MZSGTSS160000000	push pull cable connector	1
34	MZSGTSS180000007	end cap tube 25x2	2
35	MZSGTSS01M08016FFN	flange bolt with hexagon head M8x16	3
36	MZSGTSM033161000	panic bar GTS1300 low hopper	1
37	MZSGTSS120081200	nylon slide bearing 12x14	1
38	MZSGTSS040M1225PIR	plain washer 12	5
39	MZSGTSS09O110000	circlips 11	1
40	MZSGTSS210002000	silent block panic bar	2
41	MZSGTSS01M08010BFN	hexagon socket button head screw M8x10	2
42	MZSGTSS01M04016CFN	hexagon head bolt partial thread M4x16	2
43	MZSGTSS14INDEXP1	index plunger dia 6mm	1
44	MZSGTSM030207000	index plunger distance plate	1
45	MZSGTSM033173000	fork low hopper	1
46	MZSGTSM010098000	fork shaft	1
47	MZSGTSM083003000	torsion spring	1
48	MZSGTSS01M06050NFN	hex bolt M6x50	1

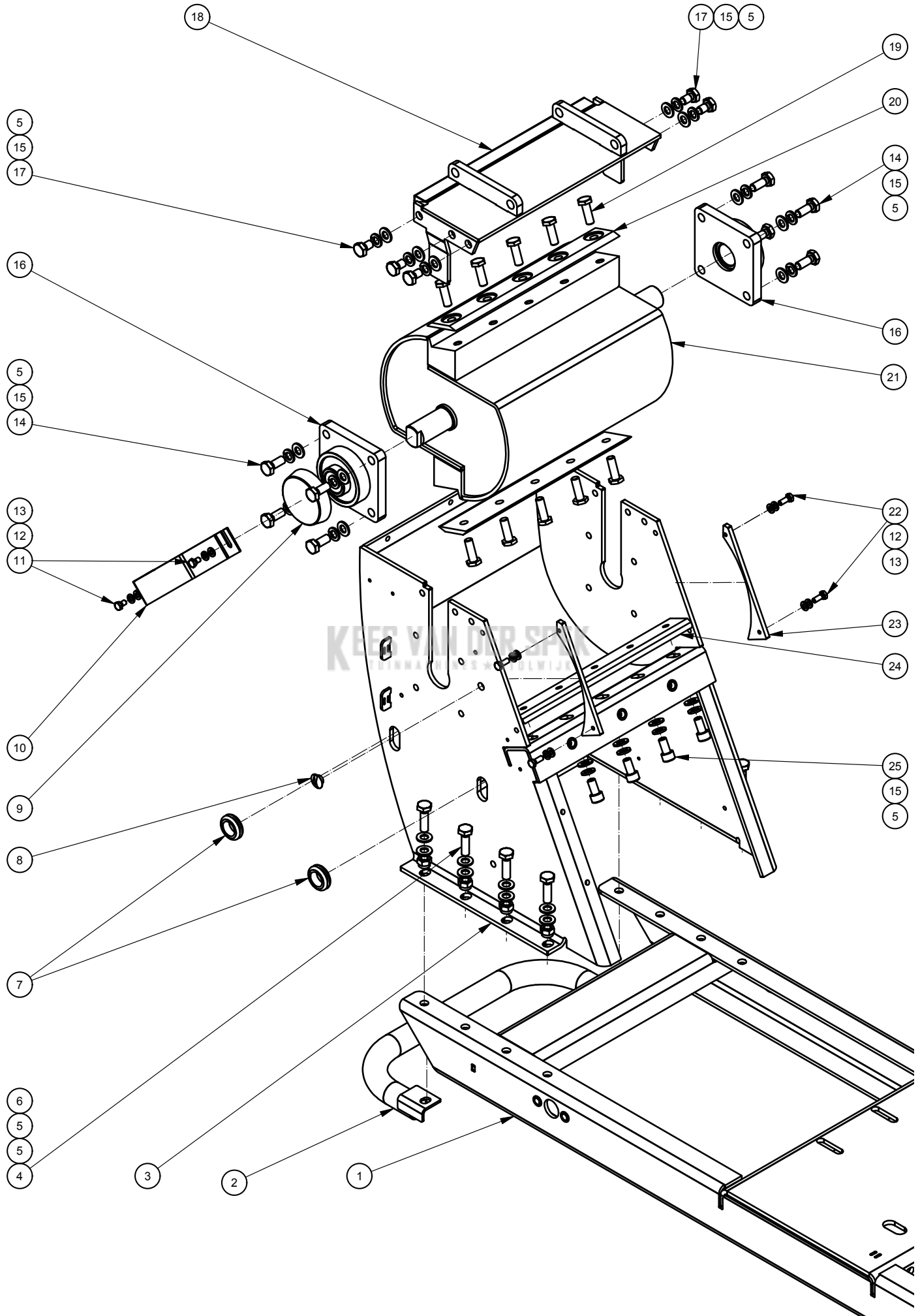
PARTNR.	ARTICLE NUMBER	PART NAME	QTY
49	MZSGTSS040M0618X	large special fender washer 6	1
50	MZSGTSS14060020B	spring-type straight pin 6x20	1
51	MZSGTSM030202000	panic bar bracket low hopper	1
52	MZSGTSS03M06000N0N	hexagon standard nut M6	3
53	MZSGTSS01M08025FFN	flange bolt with hexagon head M8x25	3
54	MZSGTSS040M0820BIR	large washer 8	6
55	MZSGTSM033162000	push assembly safety switch hopper	1
56	MZSGTSS01M05016PFN	cross recessed pan head screw M5x16	2
57	MZSGTSS03M05000L0N	tall self lock nut with nylon insert M5	4
58	MZSGTSM033056000	U-profile for safety switch	2
59	MZSGTSS01M05010RFN	cross recessed pan head screw M5x10	4
60	MZSGTSS040M0510LIR	open spring washer 5	4
61	MZSGTSS040M0510PIR	plain washer 5	6
62	MZSGTSS01M04018PFN	cross recessed pan head screw M4x18	4
63	MZSGTSS040M0409LIR	open spring washer 4	4
64	MZSGTSS040M0408PIR	plain washer 4	4
65	MZSGTSE023111BSP	limit switch	2
66	MZSGTSM033055001	safety switch plate	1
67	MZSGTSS01M05016BFN	hexagon socket button head screw M5x16	2
68	MZSGTSM033167000	output	1
69	MZSGTSS01M06020BFN	hexagon socket button head screw M6x20	2
70	MZSGTSS040M0618BIR	large washer 6	2
71	MZSGTSM033047000	deflector	1
72	MZSGTSM030450000	deflector fix bracket	1
73	MZSGTSS03M06000X0N	star head nut M6	1
74		serial numberplate De Wild	1
75	MZSGTSS13AL32090	rivet 3.2x12	4
76	MZSGTSM030235000	belt cover	1
77	MZSGTSM07314600T	taperlock V-belt rotor pulley 146mm	1
78	MZSGTSS14100828R	key 10x8-28 rotor	1
79	MZSGTSS01M08025NFN	hex bolt M8x25	2
80	MZSGTSM033025000	safety ring for rotor	1
81	MZSGTSS07A691780LP	V-belt GTS1300	2
82	MZSGTSM030200000	belt cover lid	1
83	MZSGTSS01M06025XPN	hex head bolt with reduced shank M6x25	2
84	MZSGTSA070010000	belt tensioner assembly	1
85	MZSGTSM033026000	safety ring for engine	1
86	MZSGTSM013005000	key for MHI engine	1
or	MZSGTSM013003000	key for Loncin engine	1
87	MZSGTSM07002700T	taperlock pulley Loncin MHI engine	1
88	MZSGTSM013007000	bush for engine shaft L 16mm	1
89	MZSGTSM033028000	belt cover support weldment	1
90	MZSGTSM050014000	protection cover for engine shaft	1
91	MZSGTSS01M08030XPN	carriage bolt M8x30	4
92	MZSGTSS040M0816PIR	plain washer 8	6
93	MZSGTSS03M08000L0N	tall self lock nut with nylon insert M8	6

PARTNR.	ARTICLE NUMBER	PART NAME	QTY
95	MZSGTSB050002001	heat protector Loncin	1
or	MZSGTSM029004000	heat protector MHI	1
96	MZSGTSM03301500H	muffler deflector Loncin	1
or	MZSGTSM033019000	muffler deflector MHI	1
97	MZSGTSS01M04005TFN	cross recessed head tapping screw 4,2x9,5	4
98	MZSGTSC01GGTE420	engine loncin G420F	1
or	MZSGTSC01GGTE42E	engine loncin G420FD - electric start	1
or	MZSGTSC01GGTE390	engine loncin G390F	1
or	MZSGTSC01GGTE39E	engine loncin G390FD - electric start	1
or	MZSGTSC01GB40GPN	engine MHI GB40	1
99	MZSGTSM033166000	weldassembly engine lockingplate	1
100	MZSGTSS01M10050NFN	hex bolt M10x50	2
101	MZSGTSM023006007	wheel axle GTS1300 V5	1
102	MZSGTSS040M0203PIR	plain washer 20	4
103	MZSGTSC05W164008	wheel 16-6.5-R8 axle 20mm air tire white rim	2
105	MZSGTSS09O20000001	circlips 20	2
106	MZSGTSM053002000	wheel cap	2
107	MZSGTSS01M08020FFN	flange bolt with hexagon head M8x20	2
108	MZSGTSM033168000	locking plate for axle GTS1300V5	1
109	MZSGTSS01M10030NFN	hex bolt M10x30	4
110	MZSGTSM033165000	ground support frame GTS1300V5	2
111	MZSGTSS210007000	vibration damper 15mm with stud M8	2
112	MZSGTSS040M0815LIR	open spring washer 8	4
113	MZSGTSS03M08000N0N	hexagon standard nut M8	2
115	MZSGTSM023002000	handle	1
116	MZSGTSS01M08055SFN	star headed bolt M8x55	2
117	MZSGTSS01M10060NFN	hex bolt M10x60	2
118	MZSGTSS01M10080EPN	eyebolt	2
119	MZSGTSS03M10000N0N	hexagon standard nut M10	4
120	MZSGTSS01M10020NFN	hex bolt M10x20	1
121	MZSGTSS01M08016NFN	hex bolt M8x16	2
130	MZSGTSA030024000	turnable output chute GTS1300V5	1
130.1	MZSGTSM030225000	output chute top	1
130.2	MZSGTSS170000001	retainer outputchute	1
130.3	MZSGTSS01M06012SFN	star headed bolt M6x12	2
130.4	MZSGTSS040M0615LIR	open spring washer 6	4
130.5	MZSGTSS040M0612PIR	plain washer 6	4
130.6	MZSGTSM033169000	output chute bottom GTS1300V5	1
130.7	MZSGTSM030226000	deflector new turnable output round shaped	1
130.8	MZSGTSS01M06012NFN	hex bolt M6x12	2
130.9	MZSGTSS01M05006J1S	set screw with flat point M5x6	2
131	MZSGTSA07GES1304	GTS1300 electrical start assembly	1
131.1	MZSGTSM030216000	battery fixation frame for 1300V4	1
131.2	MZSGTSS03M08000W0N	wing nut with edged wings M8	2
131.3	MZSGTSM030134000	battery fixation plate	1
131.4	MZSGTSE01PB12001	battery E-start 12V 20Ah	1
131.5	MZSGTSM030132000	rubber plate	1
131.6	MZSGTSE05050A001	fuse 50A	1
131.7	MZSGTSS01M10110NFN	hex bolt M10x110	2

<b>PARTNR.</b>	<b>ARTICLE NUMBER</b>	<b>PART NAME</b>	<b>QTY</b>
131.8	MZSGTSS040M1020PIR	plain washer 10	4
131.9	MZSGTSS03M10000L0N	tall self lock nut with nylon insert M10	2
131.10	MZSGTSE03R010000	red cable 10mm <sup>2</sup> L1320mm	1
131.11	MZSGTSE9900000024	special resin tube 800mm	1
131.12	MZSGTSE9900000001	guard cap red (+)	2
131.13	MZSGTSE05050A002	fuse holder for 50A fuse	1
131.14	MZSGTSE9900000018	copper rod 30mm	1
131.15	MZSGTSE03B010000	black cable 10mm <sup>2</sup> L1620mm	1
131.16	MZSGTSE9900000002	guard cap black (-)	1
131.17	MZSGTSE0900000005	OT terminal	4
131.18	GZTE271050002-0002	electric box for engine	1
131.19	MZSGTSS8120003	fuse 5A	1
132	MZSGTSM023015000	bumper support	1
133	MZSGTSA070003000	tow bar assembly GTS1300V5	1
134	MZSGTSC05W380A95	wheel (H) 390x95mm air tire white	2
136	MZSGTSA07LPS13S5	loose part set for GTS1300V5S	1
136.1	MZSGTSC130003000	spare parts bag	1
136.2	MZSGTSM033014000	rotor deblocking tool	1
136.3	MZSGTSS01M12030NFF	hexagon head fine thread bolt M12x1,5-30	1
136.4	MZSGTSD09XXXXXXX	manual depending on machinetype, language	1
136.5	MZSGTSC01GGTE420	sparkplug wrench and engine manual G420F	2
136.6	MZSGTSD03CED1305	GTS1300V5 CE declaration	1
136.7	MZSGTSP030000001	zip lock bag A4 for loose parts (bolts and nuts)	1

**KEES VAN DER SPEK**  
TUINMACHINES \* STOLWIJK

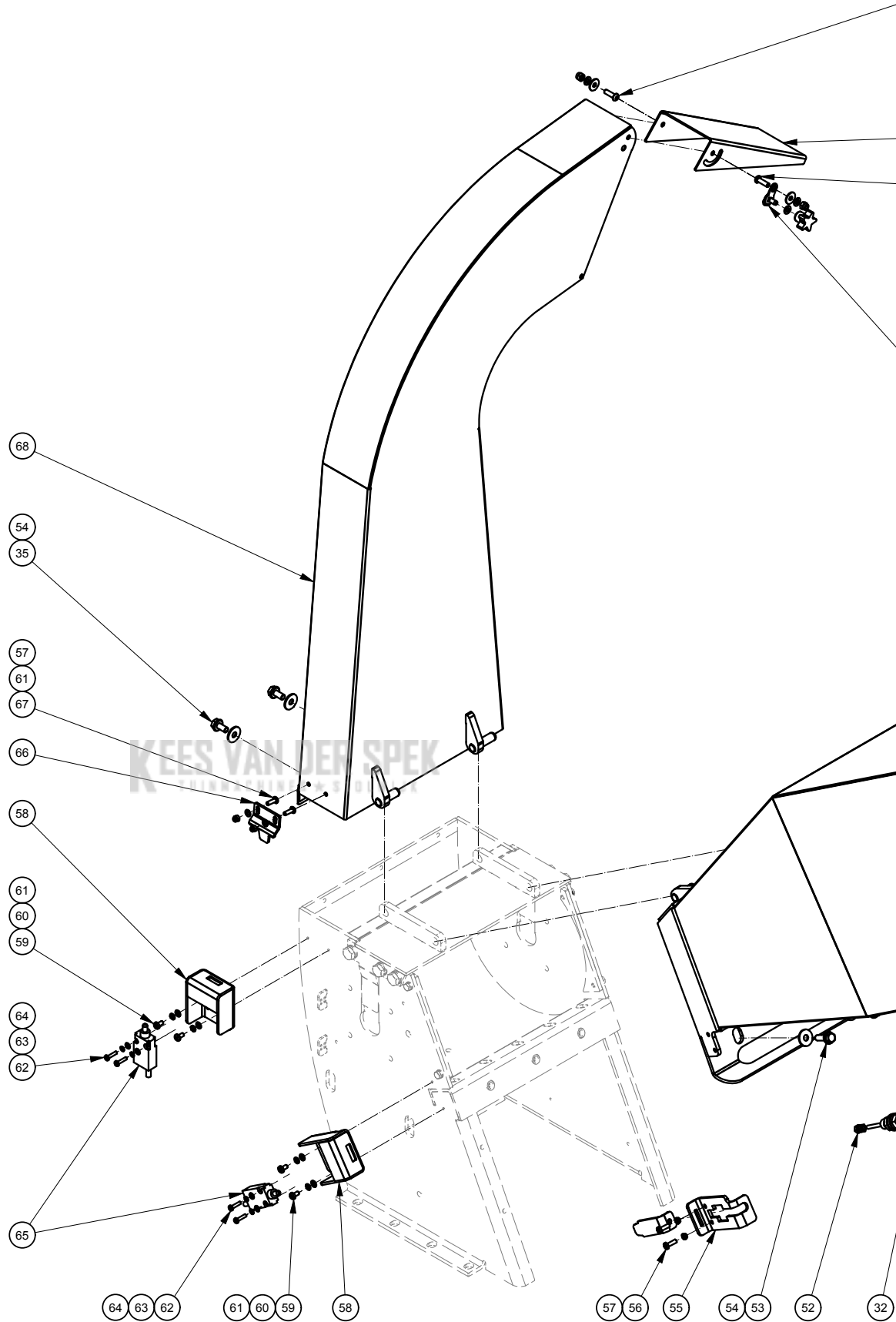
## B. Frame & shredderbox parts





<b>PARTNR.</b>	<b>ARTICLE NUMBER</b>	<b>PART NAME</b>	<b>QTY</b>
1	MZSGTSM033163000	GTS1300 V5 frame for gasoline	1
2	MZSGTSM023003000	bumper	1
3	MZSGTSM030176000	shredder box	1
4	MZSGTSS01M10035NFN	hex bolt M10x35	10
5	MZSGTSS040M1020PIR	plain washer 10	55
6	MZSGTSS03M10000L0N	tall self lock nut with nylon insert M10	18
7	MZSGTSS180000006	feedthrough coil 34-27x21.0	3
8	MZSGTSS99M120800	thread plug M12x1.5-8	1
9	MZSGTSM053001000	bearing cap	1
10	MZSGTSM033040000	bearing cap support	1
11	MZSGTSS01M06010NFN	hex bolt M6x10	2
12	MZSGTSS040M0615LIR	open spring washer 6	6
13	MZSGTSS040M0612PIR	plain washer 6	26
14	MZSGTSS01M10025NFN	hex bolt M10x25	8
15	MZSGTSS040M1016LIR	open spring washer 10	21
16	MZSGTSS12SSFY506NN	flanged bearing house FY506M	2
17	MZSGTSS01M10016NFN	hex bolt M10x16	5
18	MZSGTSM033164000	GTS1300V5 top of box	1
19	MZSGTSS01M10030XFN	special M10 bolt for blade	10
20	MZSGTSM03014300PX1	X1 blade GTS1300	2
21	MZSGTSM033020000	rotor	1
22	MZSGTSS01M06016NFN	hex bolt M6x16	4
23	MZSGTSM033012000	rotor protector	2
24	MZSGTSM033017000	counter blade GTS1300	1
25	MZSGTSS01M10020JFN	inner hexagon socket head cap bolt M10x20	5

## C. Input & output parts

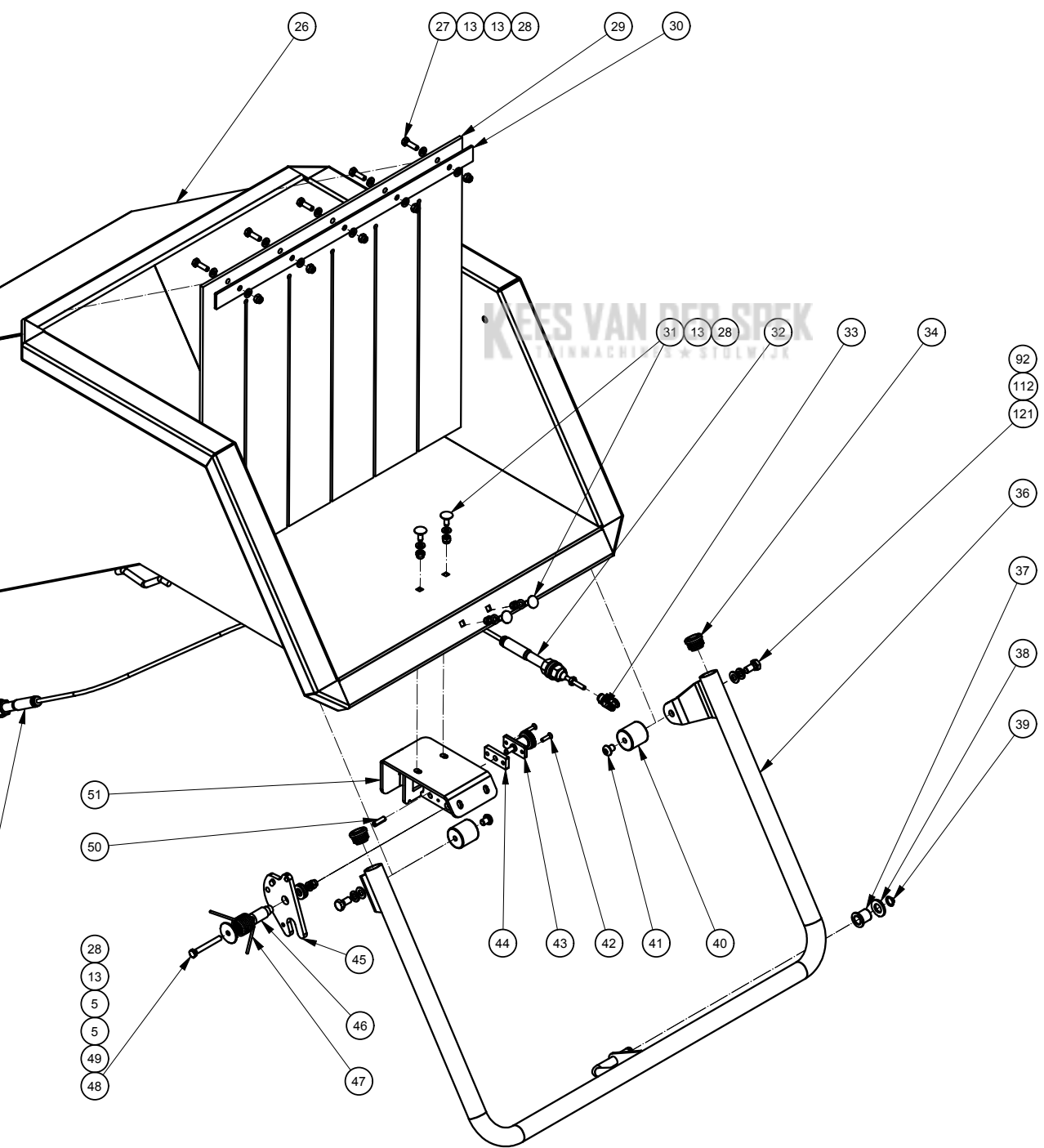


- 69
- 70
- 13
- 28

- 71

- 69
- 70
- 13
- 28

- 72
- 13
- 73

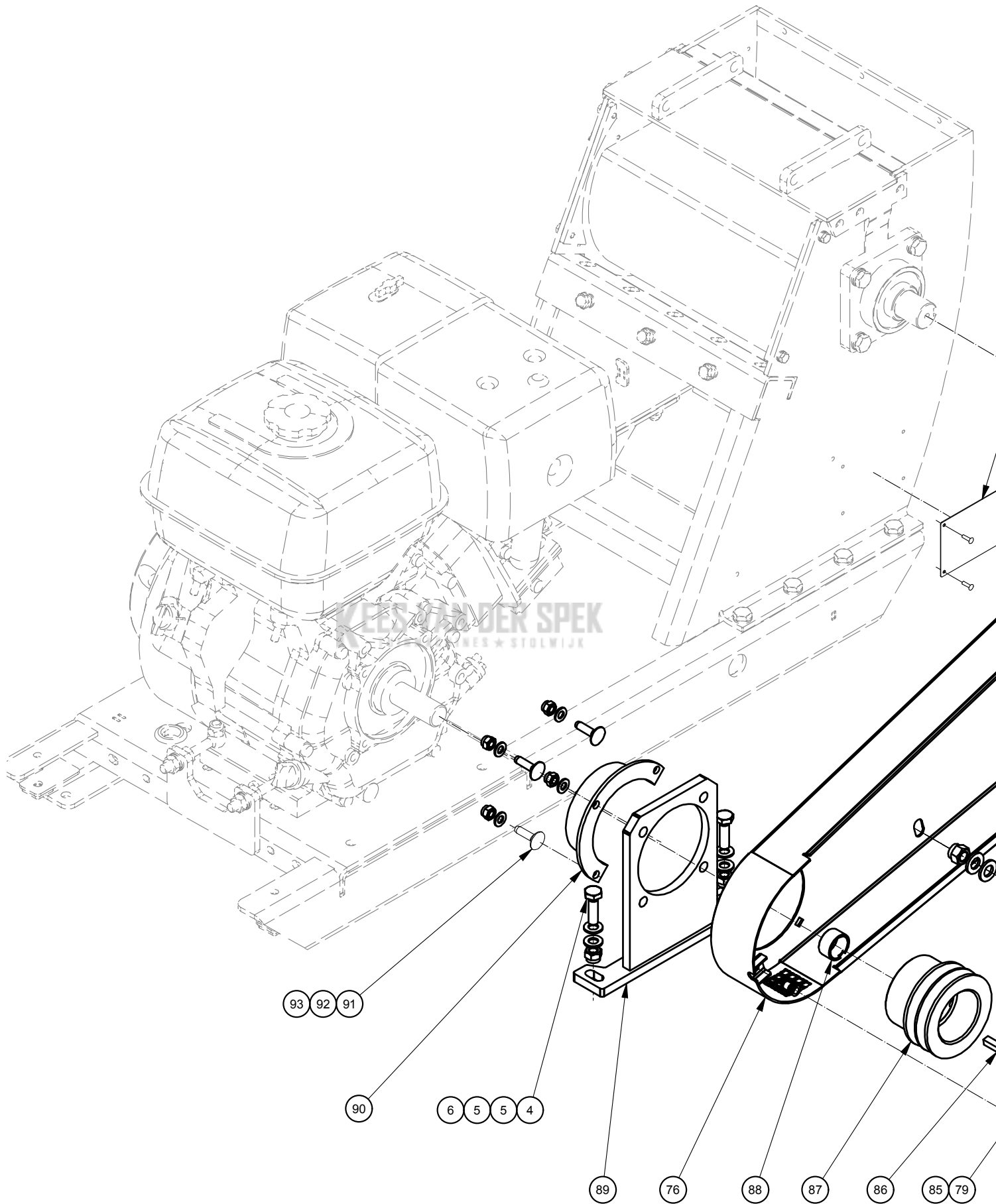


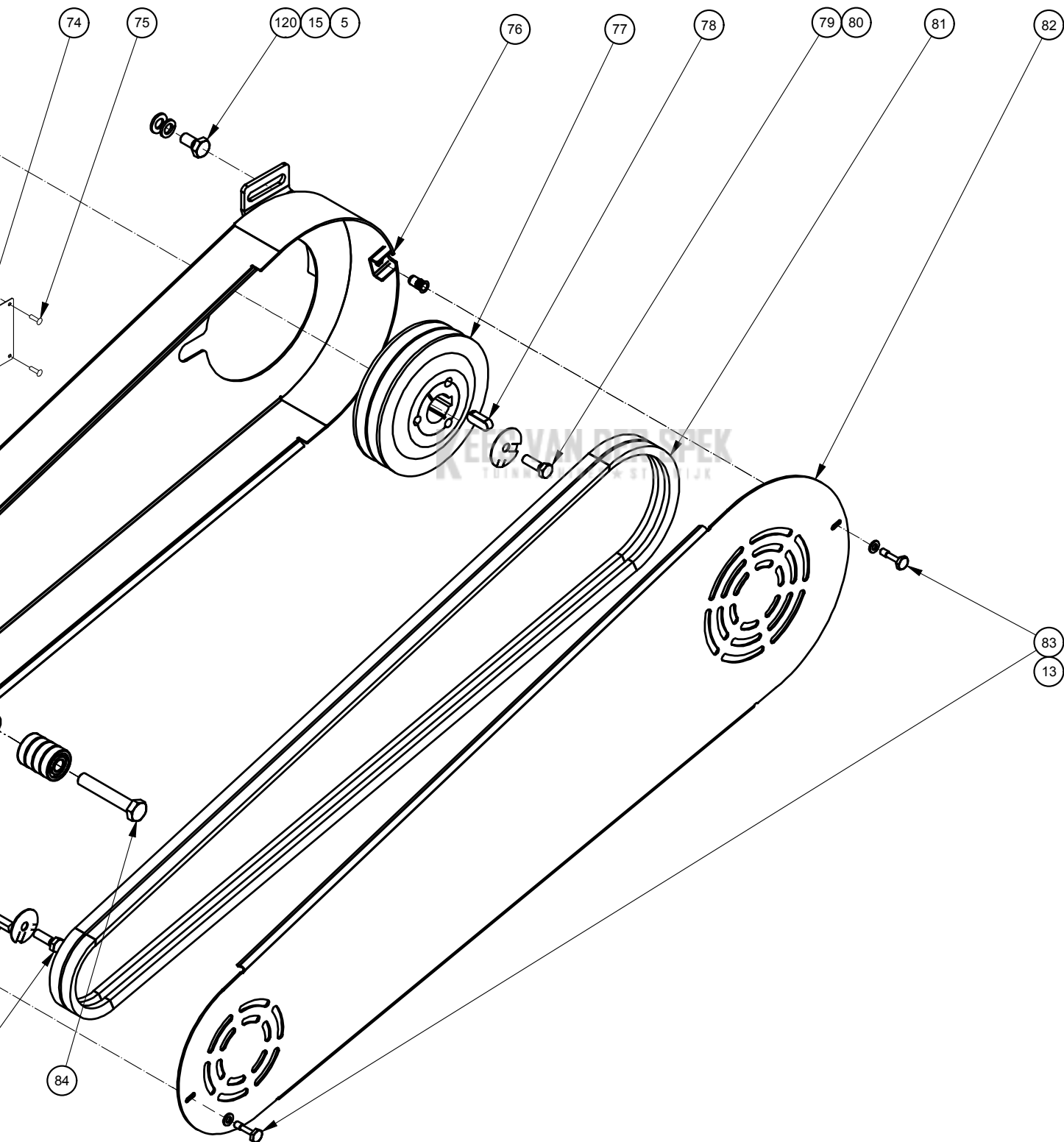
PARTNR.	ARTICLE NUMBER	PART NAME	QTY
5	MZSGTSS040M1020PIR	plain washer 10	55
13	MZSGTSS040M0612PIR	plain washer 6	26
26	MZSGTSM033160000	GTS1300 low hopper	1
27	MZSGTSS01M06020NFN	hex bolt M6x20	5
28	MZSGTSS03M06000L0N	tall self lock nut with nylon insert M6	12
29	MZSGTSM053009000	rubber curtain low hopper GTS1300	1
30	MZSGTSM053008000	steel strip for rubber curtain low hopper	1
31	MZSGTSS01M06016XPN	carriage bolt M6x16	4
32	MZSGTSS240000008	cable assembly panic bar	1
33	MZSGTSS160000000	push pull cable connector	1
34	MZSGTSS180000007	end cap tube 25x2	2
35	MZSGTSS01M08016FFN	flange bolt with hexagon head M8x16	3
36	MZSGTSM033161000	panic bar GTS1300 low hopper	1
37	MZSGTSS120081200	nylon slide bearing 12x14	1
38	MZSGTSS040M1225PIR	plain washer 12	5
39	MZSGTSS090110000	circlips 11	1
40	MZSGTSS210002000	silent block panic bar	2
41	MZSGTSS01M08010BFN	hexagon socket button head screw M8x10	2
42	MZSGTSS01M04016CFN	hexagon head bolt partial thread M4x16	2
43	MZSGTSS14INDEXP1	index plunger dia 6mm	1
44	MZSGTSM030207000	index plunger distance plate	1
45	MZSGTSM033173000	fork low hopper	1
46	MZSGTSM010098000	fork shaft	1
47	MZSGTSM083003000	torsion spring	1
48	MZSGTSS01M06050NFN	hex bolt M6x50	1
49	MZSGTSS040M0618X	large special fender washer 6	1
50	MZSGTSS14060020B	spring-type straight pin 6x20	1
51	MZSGTSM030202000	panic bar bracket low hopper	1
52	MZSGTSS03M06000N0N	hexagon standard nut M6	3
53	MZSGTSS01M08025FFN	flange bolt with hexagon head M8x25	3
54	MZSGTSS040M0820BIR	large washer 8	6
55	MZSGTSM033162000	push assembly safety switch hopper	1
56	MZSGTSS01M05016PFN	cross recessed pan head screw M5x16	2
57	MZSGTSS03M05000L0N	tall self lock nut with nylon insert M5	4
58	MZSGTSM033056000	U-profile for safety switch	2
59	MZSGTSS01M05010RFN	cross recessed pan head screw M5x10	4
60	MZSGTSS040M0510LIR	open spring washer 5	4
61	MZSGTSS040M0510PIR	plain washer 5	6
62	MZSGTSS01M04018PFN	cross recessed pan head screw M4x18	4
63	MZSGTSS040M0409LIR	open spring washer 4	4
64	MZSGTSS040M0408PIR	plain washer 4	4
65	MZSGTSE023111BSP	limit switch	2
66	MZSGTSM033055001	safety switch plate	1
67	MZSGTSS01M05016BFN	hexagon socket button head screw M5x16	2
68	MZSGTSM033167000	output	1
69	MZSGTSS01M06020BFN	hexagon socket button head screw M6x20	2
70	MZSGTSS040M0618BIR	large washer 6	2
71	MZSGTSM033047000	deflector	1
72	MZSGTSM030450000	deflector fix bracket	1

<b>PARTNR.</b>	<b>ARTICLE NUMBER</b>	<b>PART NAME</b>	<b>QTY</b>
73	MZSGTSS03M06000X0N	star head nut M6	1
92	MZSGTSS040M0816PIR	plain washer 8	6
112	MZSGTSS040M0815LIR	open spring washer 8	4
121	MZSGTSS01M08016NFN	hex bolt M8x16	2

**KEES VAN DER SPEK**  
 TUINMACHINES ★ STOLWIJK

## D. Belt parts



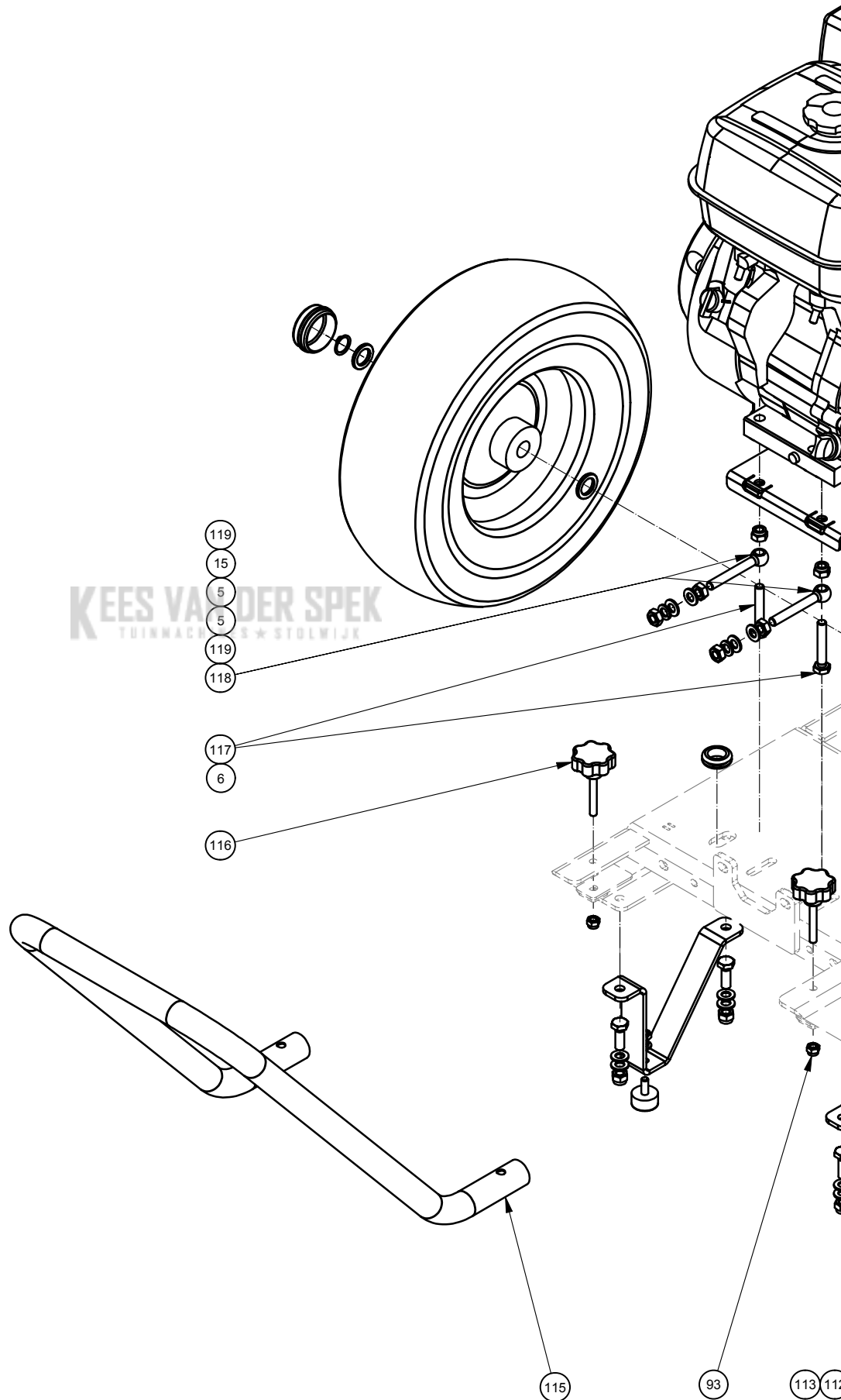


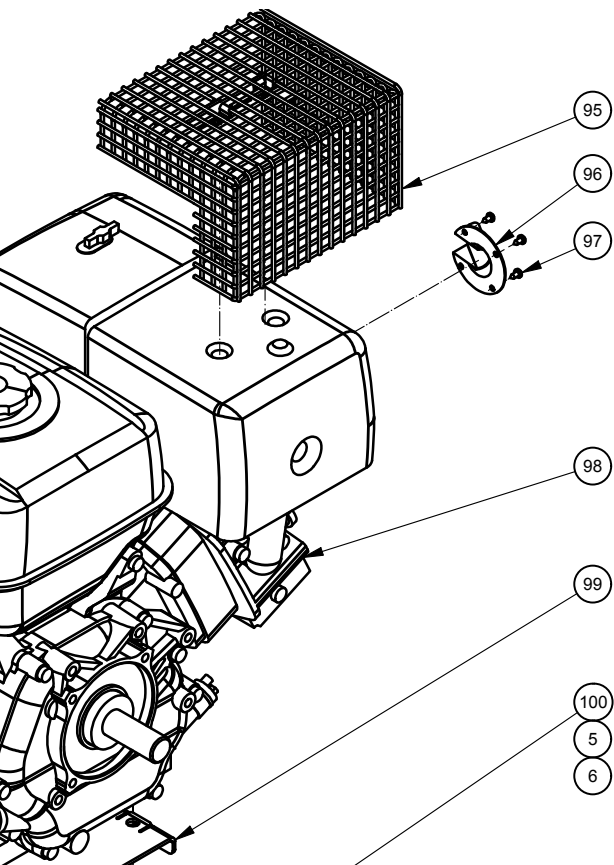
PARTNR.	ARTICLE NUMBER	PART NAME	QTY
4	MZSGTSS01M10035NFN	hex bolt M10x35	10
5	MZSGTSS040M1020PIR	plain washer 10	55
6	MZSGTSS03M10000L0N	tall self lock nut with nylon insert M10	18
13	MZSGTSS040M0612PIR	plain washer 6	26
15	MZSGTSS040M1016LIR	open spring washer 10	21
74		serial numberplate De Wild	1
75	MZSGTSS13AL32090	rivet 3.2x12	4
76	MZSGTSM030235000	belt cover	1
77	MZSGTSM07314600T	taperlock V-belt rotor pulley 146mm	1
78	MZSGTSS14100828R	key 10x8-28 rotor	1
79	MZSGTSS01M08025NFN	hex bolt M8x25	2
80	MZSGTSM033025000	safety ring for rotor	1
81	MZSGTSS07A691780LP	V-belt GTS1300	2
82	MZSGTSM030200000	belt cover lid	1
83	MZSGTSS01M06025XPN	hex head bolt with reduced shank M6x25	2
84	MZSGTSA070010000	belt tensioner assembly	1
85	MZSGTSM033026000	safety ring for engine	1
86	MZSGTSM013005000	key for MHI engine	1
or	MZSGTSM013003000	key for Loncin engine	1
87	MZSGTSM07002700T	taperlock pulley Loncin MHI engine	1
88	MZSGTSM013007000	bush for engine shaft L 16mm	1
89	MZSGTSM033028000	belt cover support weldment	1
90	MZSGTSM050014000	protection cover for engine shaft	1
91	MZSGTSS01M08030XPN	carriage bolt M8x30	4
92	MZSGTSS040M0816PIR	plain washer 8	6
93	MZSGTSS03M08000L0N	tall self lock nut with nylon insert M8	6
120	MZSGTSS01M10020NFN	hex bolt M10x20	1



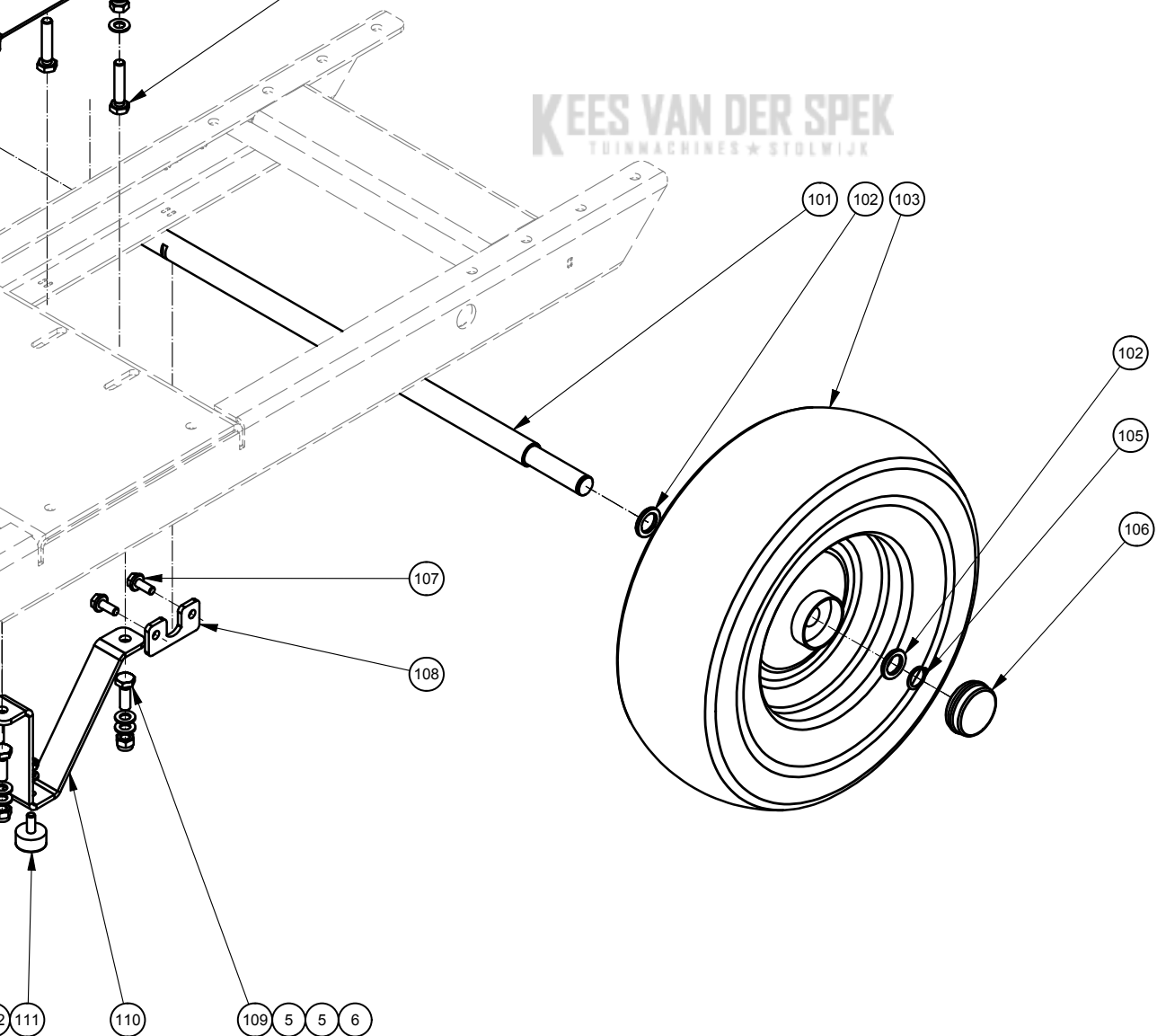
**KEES VAN DER SPEK**  
TUINMACHINES ★ STOLWIJK

## E. Engine, wheel & handle parts





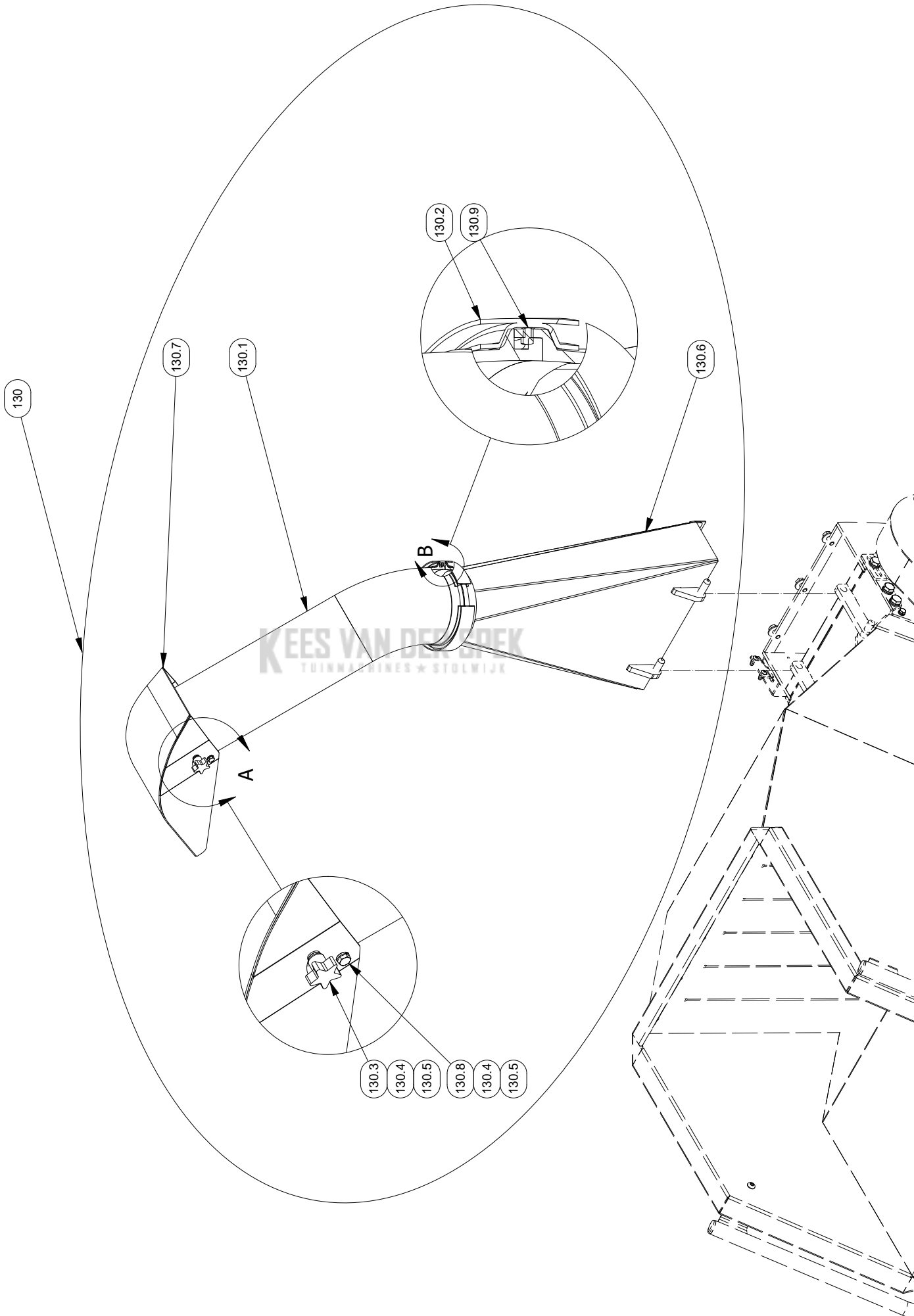
KEES VAN DER SPEK  
TUINMACHINES \* STOLWIJK

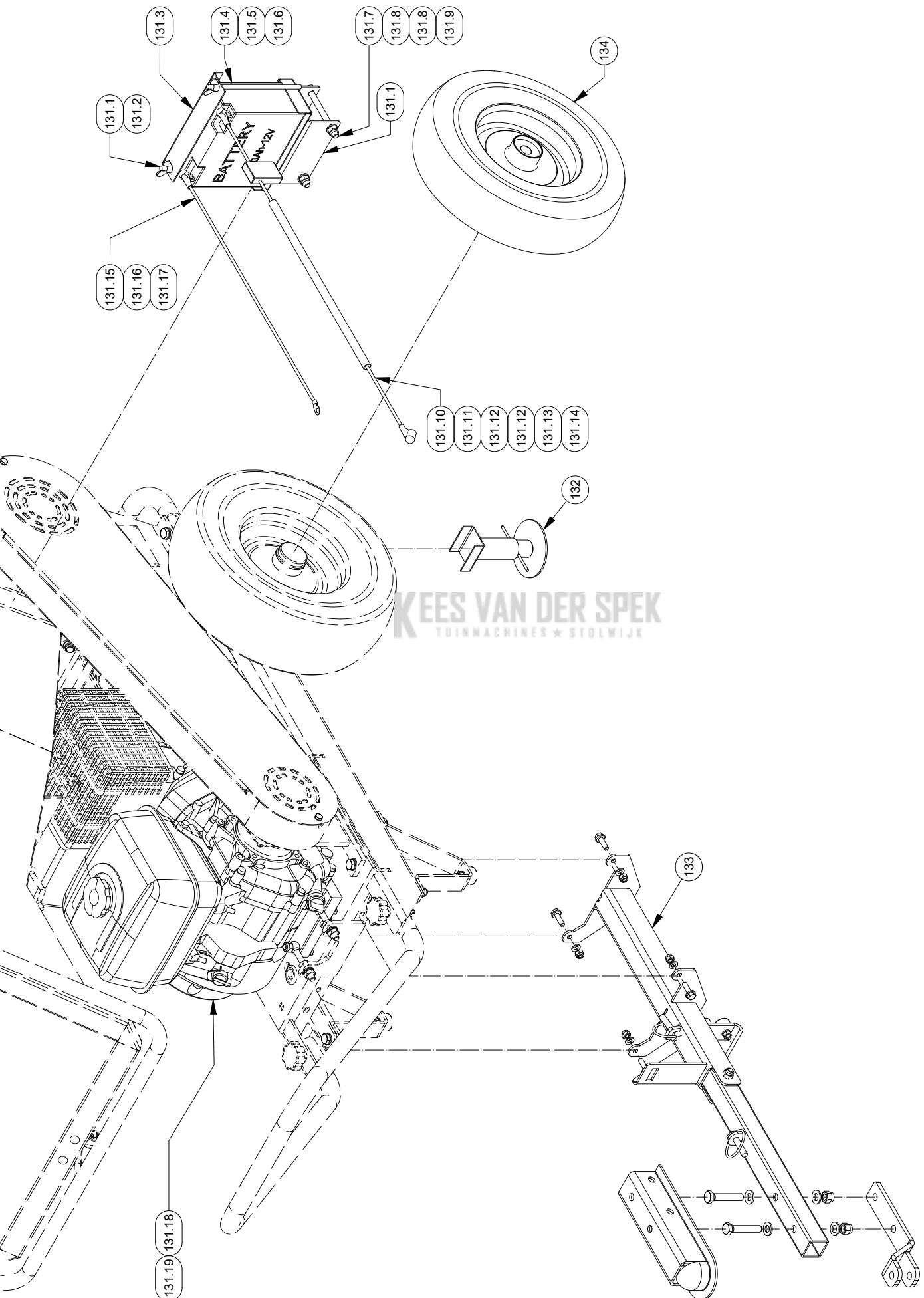


PARTNR.	ARTICLE NUMBER	PART NAME	QTY
5	MZSGTSS040M1020PIR	plain washer 10	55
6	MZSGTSS03M10000L0N	tall self lock nut with nylon insert M10	18
15	MZSGTSS040M1016LIR	open spring washer 10	21
93	MZSGTSS03M08000L0N	tall self lock nut with nylon insert M8	6
95	MZSGTSSB050002001	heat protector Loncin	1
or	MZSGTSM029004000	heat protector MHI	1
96	MZSGTSM03301500H	muffler deflector Loncin	1
or	MZSGTSM033019000	muffler deflector MHI	1
97	MZSGTSS01M04005TFN	cross recessed head tapping screw 4,2x9,5	4
98	MZSGTSC01GGTE420	engine loncin G420F	1
or	MZSGTSC01GGTE42E	engine loncin G420FD - electric start	1
or	MZSGTSC01GGTE390	engine loncin G390F	1
or	MZSGTSC01GGTE39E	engine loncin G390FD - electric start	1
or	MZSGTSC01GB40GPN	engine MHI GB40	1
99	MZSGTSM033166000	weldassembly engine lockingplate	1
100	MZSGTSS01M10050NFN	hex bolt M10x50	2
101	MZSGTSM023006007	wheel axle GTS1300 V5	1
102	MZSGTSS040M0203PIR	plain washer 20	4
103	MZSGTSC05W164008	wheel 16-6.5-R8 axle 20mm air tire white rim	2
105	MZSGTSS09O20000001	circlips 20	2
106	MZSGTSM053002000	wheel cap	2
107	MZSGTSS01M08020FFN	flange bolt with hexagon head M8x20	2
108	MZSGTSM033168000	locking plate for axle GTS1300V5	1
109	MZSGTSS01M10030NFN	hex bolt M10x30	4
110	MZSGTSM033165000	ground support frame GTS1300V5	2
111	MZSGTSS210007000	vibration damper 15mm with stud M8	2
112	MZSGTSS040M0815LIR	open spring washer 8	4
113	MZSGTSS03M08000N0N	hexagon standard nut M8	2
115	MZSGTSM023002000	handle	1
116	MZSGTSS01M08055SFN	star headed bolt M8x55	2
117	MZSGTSS01M10060NFN	hex bolt M10x60	2
118	MZSGTSS01M10080EPN	eyebolt	2
119	MZSGTSS03M10000N0N	hexagon standard nut M10	4

\* Only for machines produced before 02/2016

**KEES VAN DER SPEK**  
TUINMACHINES ★ STOLWIJK





KEES VAN DER SPEK  
 TUINMACHINES \* STOLWIJK

PARTNR.	ARTICLE NUMBER	PART NAME	QTY
130	MZSGTSA030024000	turnable output chute GTS1300V5	1
130.1	MZSGTSM030225000	output chute top	1
130.2	MZSGTSS170000001	retainer outputchute	1
130.3	MZSGTSS01M06012SFN	star headed bolt M6x12	2
130.4	MZSGTSS040M0615LIR	open spring washer 6	4
130.5	MZSGTSS040M0612PIR	plain washer 6	4
130.6	MZSGTSM033169000	output chute bottom GTS1300V5	1
130.7	MZSGTSM030226000	deflector new turnable output round shaped	1
130.8	MZSGTSS01M06012NFN	hex bolt M6x12	2
130.9	MZSGTSS01M05006J1S	set screw with flat point M5x6	2
131	MZSGTSA07GES1304	GTS1300 electrical start assembly	1
131.1	MZSGTSM030216000	battery fixation frame for 1300V4	1
131.2	MZSGTSS03M08000W0N	wing nut with edged wings M8	2
131.3	MZSGTSM030134000	battery fixation plate	1
131.4	MZSGTSE01PB12001	battery E-start 12V 20Ah	1
131.5	MZSGTSM030132000	rubber plate	1
131.6	MZSGTSE05050A001	fuse 50A	1
131.7	MZSGTSS01M10110NFN	hex bolt M10x110	2
131.8	MZSGTSS040M1020PIR	plain washer 10	4
131.9	MZSGTSS03M10000L0N	tall self lock nut with nylon insert M10	2
131.10	MZSGTSE03R010000	red cable 10mm2 L1320mm	1
131.11	MZSGTSE990000024	special resin tube 800mm	1
131.12	MZSGTSE990000001	guard cap red (+)	2
131.13	MZSGTSE05050A002	fuse holder for 50A fuse	1
131.14	MZSGTSE990000018	copper rod 30mm	1
131.15	MZSGTSE03B010000	black cable 10mm2 L1620mm	1
131.16	MZSGTSE990000002	guard cap black (-)	1
131.17	MZSGTSE090000005	OT terminal	4
131.18	GZTE271050002-0002	electric box for engine	1
131.19	MZSGTS8120003	fuse 5A	1
132	MZSGTSM023015000	bumper support	1
133	MZSGTSA070003000	tow bar assembly GTS1300V5	1
134	MZSGTSC05W380A95	wheel (H) 390x95mm air tire white	2
136	MZSGTSA07LPS13S5	loose part set for GTS1300V5S	1
136.1	MZSGTSC130003000	spare parts bag	1
136.2	MZSGTSM033014000	rotor deblocking tool	1
136.3	MZSGTSS01M12030NFF	hexagon head fine thread bolt M12x1,5-30	1
136.4	MZSGTSD09XXXXXXX	manual depending on machinetype, language	1
136.5	MZSGTSC01GGTE420	sparkplug wrench and engine manual G420F	2
136.6	MZSGTSD03CED1305	GTS1300V5 CE declaration	1
136.7	MZSGTSP030000001	zip lock bag A4 for loose parts (bolts and nuts)	1



**KEES VAN DER SPEK**  
TUINMACHINES ★ STOLWIJK

**KEES VAN DER SPEK**  
TUINMACHINES ★ STOLWIJK

**GTM**  
**PROFESSIONAL®**

**[www.gtmprofessional.com](http://www.gtmprofessional.com)**