

IS 2026 Spraying equipment



Documenten

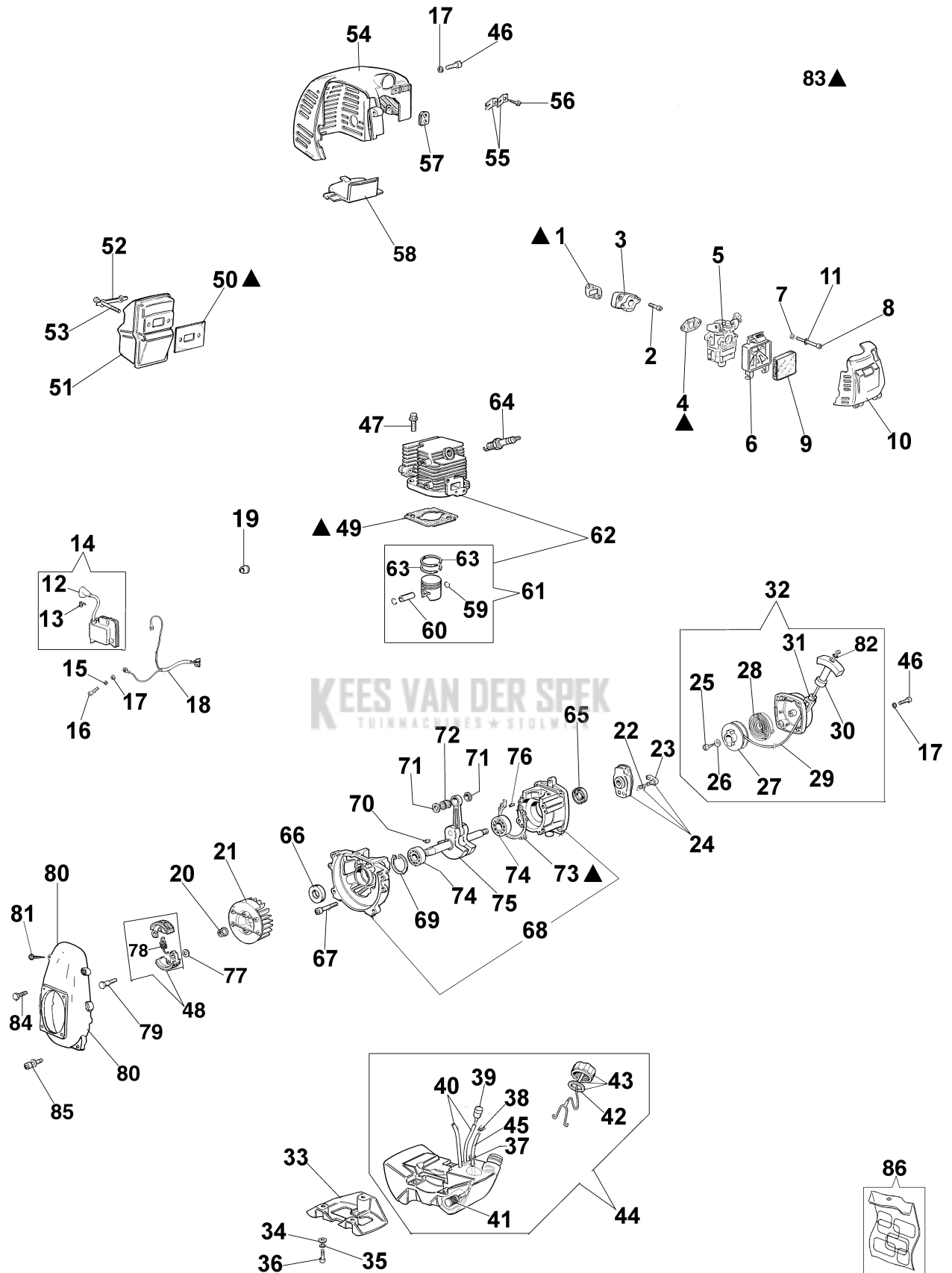
Engine

Tank assy and carburettor

Pump 1st series (Until SN 5224079379 - 2004)

Pump 2nd series (From SN 5224079380 - 2004)

KEES VAN DER SPEK
TUINMACHINES ★ STOLWIJK



Illustratie Engine

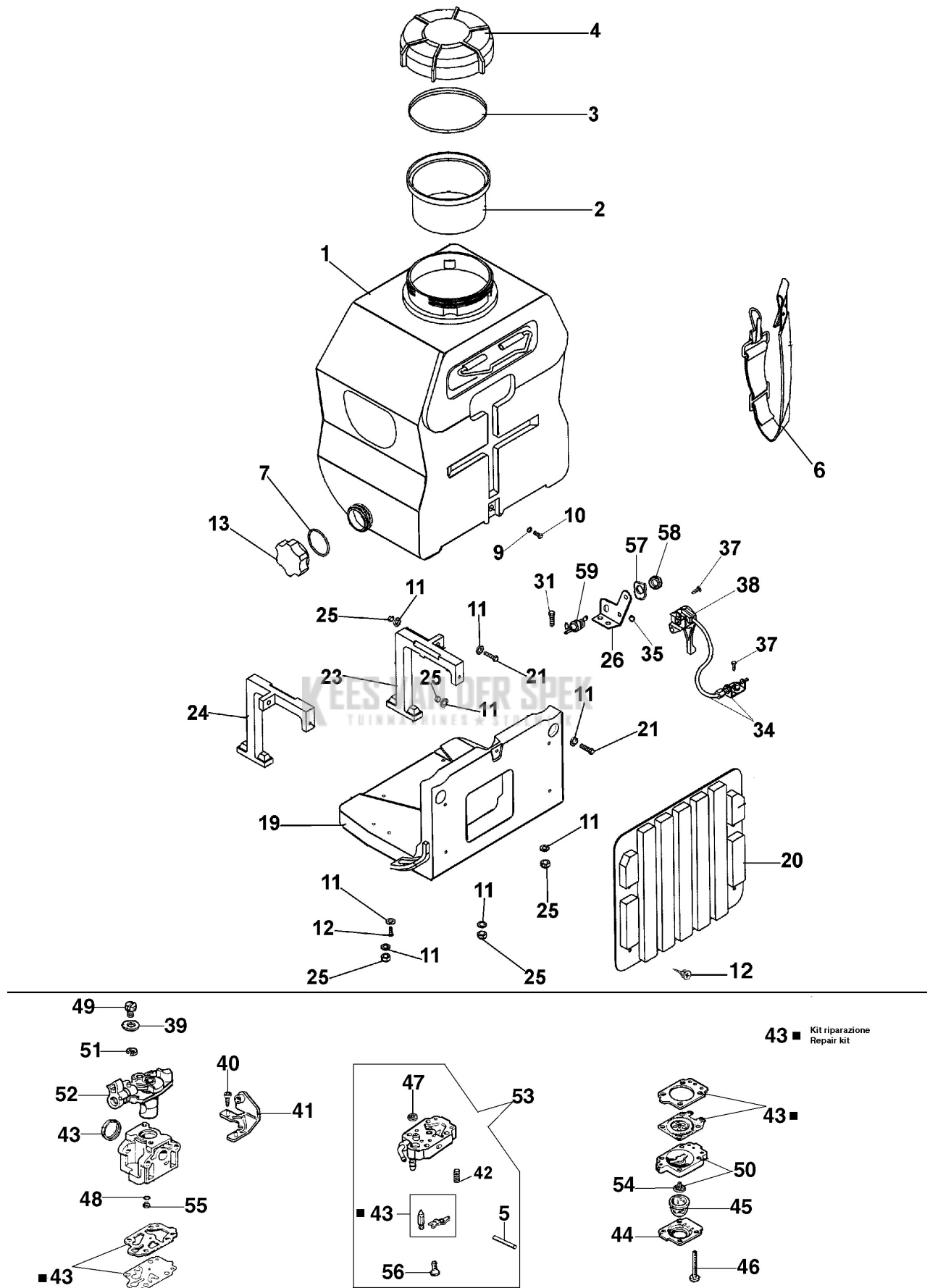
Ref.Nu	Qty	Part number	Description	Validity from	Validity till	Notes	Bulletin
1	1	61070007	Gasket				
2	2	3801051R	Screw				
3	1	61070004	Insulator				
4	1	4161438	Gasket				
5	1	2318945R	Carburetor WYJ-372				
6	1	61070003ER	Filter support				
7	2	61040020	Bushing				
8	2	61052009BR	Screw				
9	1	61070005R	Air filter				
10	1	56010002A	Cover				
11	2	3833073R	Washer				
12	1	094600097AR	Spark plug cap				
13	1	094600169AR	Spring				
14	1	56510066R	Ignition coil				
15	2	3819005R	Washer				
16	2	006000085	Screw				
17	7	3916004R	Washer				
18	1	56010004R	Cable				
19	2	50070148A	Spacer				
20	1	3980012	Nut				
21	1	61070017BR	Flywheel				
22	1	61070039R	Spring				
23	1	61070038R	Pawl				
24	1	61070053A	Clutch driver				
25	1	3960070AR	Screw				
26	1	094600451	Washer				
27	1	61070035BR	Starter pulley				
28	1	61070036R	Spring				
29	1	61070019AR	Starter rope				
30	1	093500397	Starter handle				
31	1	072700089R	Bushing				
32	1	61072008CR	Starter assy				
33	1	61070009	Stand				
34	3	3918005R	Washer				
35	3	3819006R	Washer				
36	3	3801013R	Screw				
37	1	4161211R	Bush				
38	1	4098377R	Band				
39	1	61070011AR	Breather valve				
40	2	61290088R	Tube				
41	1	094600450R	Fuel filter				
42	1	61070006R	Gasket				
43	1	61070079AR	Tank cap				
44	1	61070105BR	Tank				
45	1	3073021R	Tube				
46	5	3801002R	Screw				



Illustratie Engine

Ref.Nu	Qty	Part number	Description	Validity from	Validity till	Notes	Bulletin
47	2	61070060	Screw				
48	1	61070091AR	Clutch				
49	1	61070059	Gasket				
50	1	61070033	Gasket				
51	1	58040140AR	Muffler				
52	1	61070055R	Plate				
53	2	3806027	Screw				
54	1	61070026BR	Cover				
55	2	4191069BR	Plate				
56	1	3960030R	Screw				
57	1	072700036A	Grommet				
58	1	61070027A	Lock				
59	2	61070067	Ring				
60	1	61070066	Piston pin				
61	1	61070107	Piston assy				
62	1	61070072A	Complete cylinder Ø34				
63	2	61070065R	Piston ring				
64	1	3055104R	Spark plug				
65	1	61070074	Seal ring				
66	1	61070075	Seal ring				
67	4	61070063	Screw				
68	1	61070061R	Crankcase				
69	1	3025019	Ring				
70	1	61070070	Key				
71	2	61070068	Spacer				
72	1	61070076	Bearing				
73	1	61070062	Gasket				
74	2	3034009R	Bearing				
75	1	61070069	Crankshaft				
76	3	61070073	Plug				
77	2	3918009R	Washer				
78	1	61070090R	Spring				
79	1	61370257	Kit pin + Belleville washer + spacer ring				
80	1	56010001R	Starter case				
81	1	3960074R	Screw				
82	1	006000829	Washer				
83	1	61130060	Gasket set				
84	4	56012014	Screw				
85	4	61072017	Screw				
86	1	56010017	Labels kit				

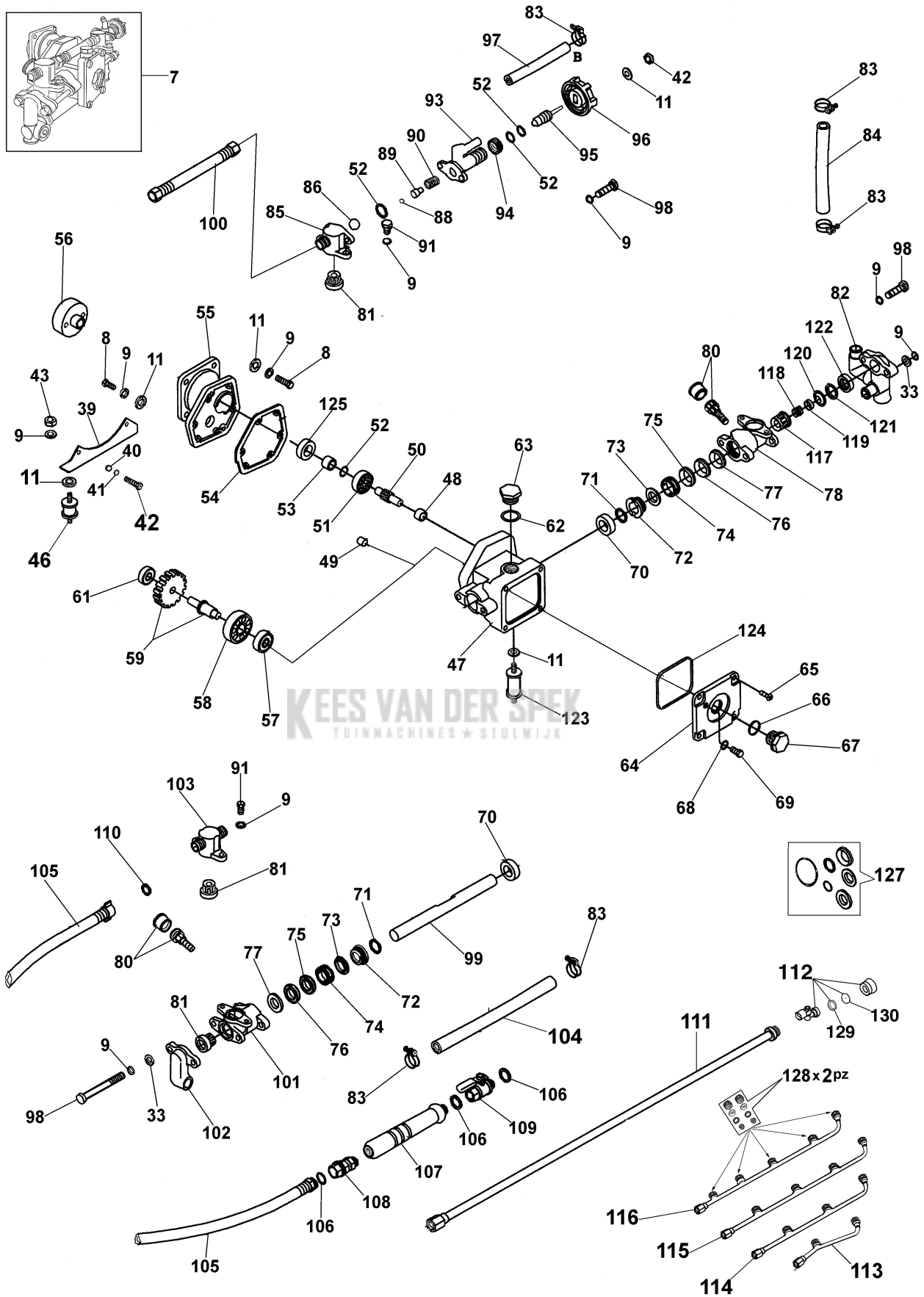




Illustratie Tank assy and carburettor

Ref.Nu	Qty	Part number	Description	Validity from	Validity till	Notes	Bulletin
1	1	S0001000	Tank				
2	1	S0002000	Filter				
3	1	S0003000	Gasket				
4	1	S0004000	Cover				
5	1	003300201	Spindle				
6	2	S0006000R	Harness				
7	1	S0007000	Gasket				
9	1	S0009000R	Washer				
10	1	S0010000R	Screw				
11	1	S0011000R	Washer				
12	4	S0012000R	Screw				
13	1	S0013000	Cap				
19	1	S0019000	Frame				
20	1	S0020000	Padding				
21	1	S0021000R	Screw				
23	1	S0023000	Support				
24	1	S0024000	Support				
25	1	S0025000R	Nut				
26	1	S0026000	Bracket				
31	2	S0031000	Screw				
34	1	56010003R	Throttle cable				
35	1	S0035000	Nut				
37	1	S0037000	Screw				
38	1	S0034001	Throttle				
39	1	2318703	Washer				
40	2	2318580	Screw				
41	1	2318813	Support				
42	1	2318568	Spring				
43	1	2318674	Repair kit				
44	1	2318571	Cover				
45	1	2318572	Primer pump				
46	4	2318585	Screw				
47	1	003300204	Fuel filter				
48	1	2318701	O-ring				
49	1	2318577	Adjuster nut				
50	1	2318570	Primer body				
51	1	2318189	Ring				
52	1	2318814	Valve				
53	1	2318811	Pump body				
54	1	2318592	Valve				
55	1	2318812	Jet				
56	1	2318569	Screw				
57	1	004000438R	Plate				
58	1	099900397	Nut				
59	1	094600266R	Switch				

KEES VAN DER SPEK
TUINMACHINES ★ STOLWIJK



Illustratie Pump 1st series (Until SN 5224079379 - 2004)

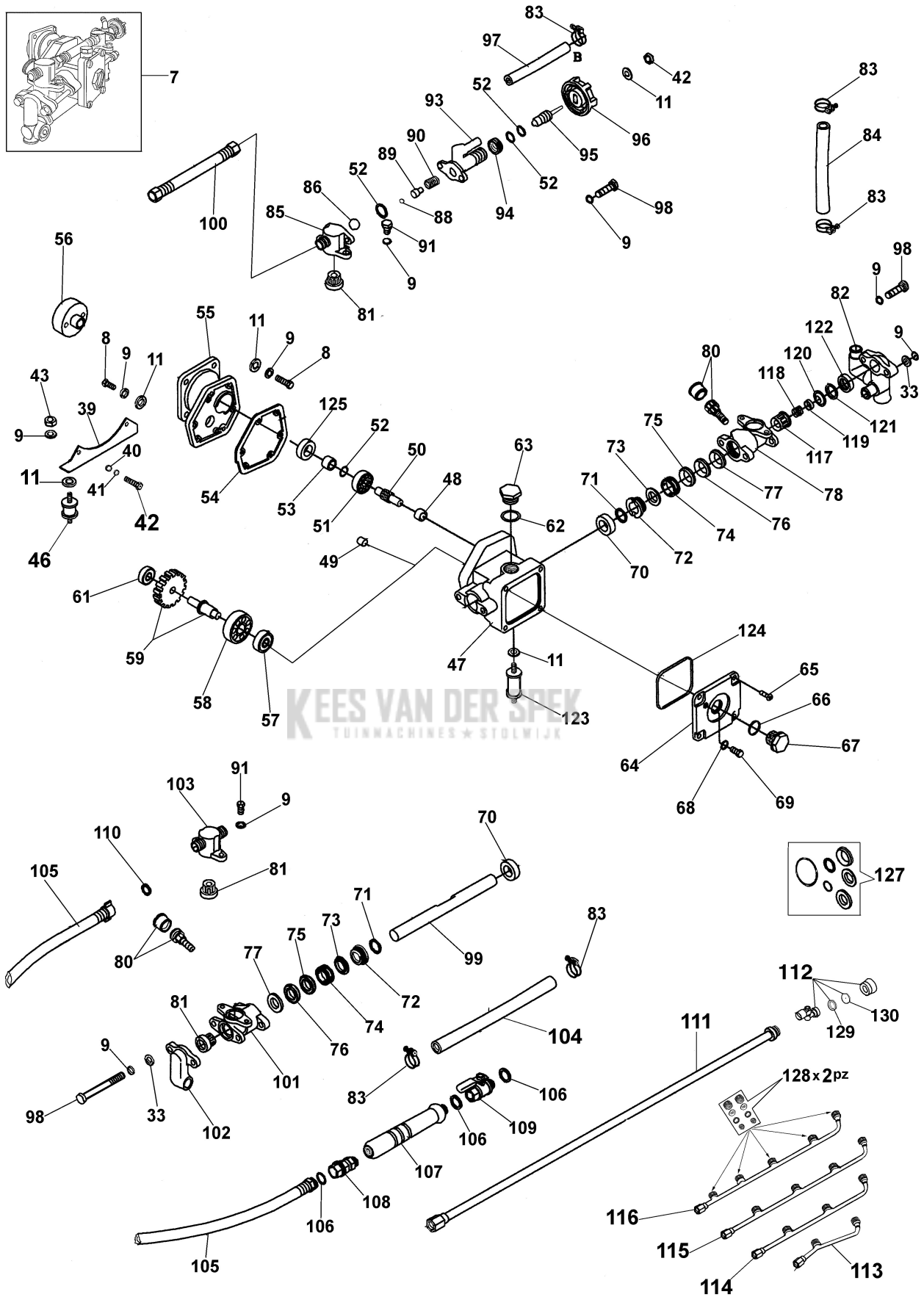
Ref.Nu	Qty	Part number	Description	Validity from	Validity till	Notes	Bulletin
7		-	Not available for this product				
8	8	S0008000	Screw				
9	12	S0009000R	Washer				
11	10	S0011000R	Washer				
33	4	S0033000	Washer				
39	1	S0039000	Bracket				
40	2	S0040000	Washer				
41	2	S0041000	Washer				
42	2	S0042000	Screw				
43	2	S0043000	Nut				
46	2	S0046000A	AV-mount				
47	1	S0047000	Crankcase				
48	1	S0048000	Bearing				
49	2	S0137000	Plug				
50	1	S0050000	Shaft				
51	1	S0051000	Bearing				
52	4	S0052000	O-ring				
53	1	S0053000	Spacer				
54	1	S0054000	Gasket				
55	1	S0055000	Clutch case				
56	1	S0056000	Clutch drum				
57	1	S0057000	Bearing				
58	1	S0058000	Bearing				
59	1	S0059060	Shaft				
61	1	S0061000	Bearing				
62	1	S0062000	O-ring				
63	1	S0063000	Cap				
64	1	S0064000	Cover				
65	4	S0065000	Screw				
66	1	56012018	Gasket set				
67	1	S0067000	Screw				
68	1	56012018	Gasket set				
69	1	S0069000	Plug				
70	2	S0070000	Seal ring				
71	1	56012018	Gasket set				
72	2	S0072000	Spacer				
73	2	S0073000	Ring				
74	2	S0074000	Gasket				
75	1	56012018	Gasket set				
76	1	56012018	Gasket set				
77	2	S0077000	Gasket				
78	1	S0078000	Cylinder				
80	2	S0079080	Cap				
81	4	S0081000	Valve				
82	1	S0082000	Inlet chamber				

KEES VAN DER SPEK
TUINMACHINES ★ STOLWIJK

Illustratie Pump 1st series (Until SN 5224079379 - 2004)

Ref.Nu	Qty	Part number	Description	Validity from	Validity till	Notes	Bulletin
83	4	S0083000R	Band				
84	1	S0084000R	Tube				
85	1	S0085000	Delivery chamber				
86	1	S0086000	Seat				
88	1	S0088000	Valve				
89	1	S0089000	Rod				
90	1	S0090000	Spring				
91	6	S0091000	Screw				
93	1	S0093000	Valve body				
94	1	S0094000	Nut				
95	1	S0095000	Screw				
96	1	S0096000	Screw				
97	1	S0097000R	Tube				
98	4	S0098000	Screw				
99	1	S0099000	Piston assy Ø16				
100	1	S0100000	Tube				
101	1	S0101000	Cylinder				
102	1	S0102000	Inlet chamber				
103	1	S0103000	Delivery chamber				
104	1	S0104000	Tube				
105	1	S0105000	Tube				
106	1	56012018	Gasket set				
107	1	S0107000	Handle				
108	1	S0108000R	Joint				
109	1	S0109000	Tap				
110	1	S0110000	Gasket				
111	1	S0111000R	Tube				
112	1	S0112000R	Nozzle 1 hole				
113	1	S0113000	Nozzle 2 holes				
114	1	S0114000	Nozzle 3 holes				
115	1	S0115000	Nozzle 4 holes				
116	1	S0116000	Nozzle 5 holes				
117	1	S0081001	Nut				
118	1	S0081002	Spring				
119	1	S0081003	Plug				
120	1	S0081004	Seat				
121	1	S0081005	Ring				
122	1	S0081006	Support				
123	1	S0046001AR	AV-mount				
124	4	S0136000	O-ring				
125	1	S0070001	Seal ring				
127	1	56012018	Gasket set				
128	1	56012019	Nozzle 1 set				
129	1	S0112001	Gasket				
130	1	S0112002	Nozzle 1 hole				

KEES VAN DER SPEK
TUINMACHINES ★ STOLWIJK



Illustratie Pump 2nd series (From SN 5224079380 - 2004)

Ref.Nu	Qty	Part number	Description	Validity from	Validity till	Notes	Bulletin
7	1	56012009A	Fuel pump cpl.			Su richiesta; Upon request	
8	8	S0008000	Screw				
9	12	S0009000R	Washer				
11	10	S0011000R	Washer				
33	4	S0033000	Washer				
39	1	S0039000	Bracket				
40	2	S0040000	Washer				
41	2	S0041000	Washer				
42	2	S0042000	Screw				
43	2	S0043000	Nut				
46	2	S0046000A	AV-mount				
47	1	S0131000	Crankcase				
48	1	S0048000	Bearing				
49	1	S0137000	Plug				
50	1	S0050000	Shaft				
51	1	S0051000	Bearing				
52	4	S0052000	O-ring				
53	1	S0053000	Spacer				
54	1	S0132000	Gasket				
55	1	S0133000	Clutch case				
56	1	S0134000	Clutch drum				
57	1	S0057000	Bearing				
58	1	S0058000	Bearing				
59	1	S0059060	Shaft				
61	1	S0061000	Bearing				
62	1	S0062000	O-ring				
63	1	S0063000	Cap				
64	1	S0135000	Cover				
65	4	S0065000	Screw				
66	1	56012018	Gasket set				
67	1	S0067000	Screw				
68	1	56012018	Gasket set				
69	1	S0069000	Plug				
70	2	S0070000	Seal ring				
71	2	56012018	Gasket set				
72	2	S0072000	Spacer				
73	2	S0073000	Ring				
74	2	S0074000	Gasket				
75	2	56012018	Gasket set				
76	2	56012018	Gasket set				
77	2	S0077000	Gasket				
78	1	S0078000	Cylinder				
80	2	S0079080	Cap				
81	4	S0081000	Valve				
82	1	S0082000	Inlet chamber				
83	4	S0083000R	Band				

KEES VAN DER SPEK
TUINMACHINES ★ STOLWIJK

Illustratie Pump 2nd series (From SN 5224079380 - 2004)

Ref.Nu	Qty	Part number	Description	Validity from	Validity till	Notes	Bulletin
84	1	S0084000R	Tube				
85	1	S0085000	Delivery chamber				
86	1	S0086000	Seat				
88	1	S0088000	Valve				
89	1	S0089000	Rod				
90	1	S0090000	Spring				
91	6	S0091000	Screw				
93	1	S0093000	Valve body				
94	1	S0094000	Nut				
95	1	S0095000	Screw				
96	1	S0096000	Screw				
97	1	S0097000R	Tube				
98	4	S0098000	Screw				
99	1	S0138000	Piston				
100	1	S0139000	Tube				
101	1	S0101000	Cylinder				
102	1	S0102000	Inlet chamber				
103	1	S0103000	Delivery chamber				
104	1	S0140000	Tube				
105	1	S0105000	Tube				
106	3	56012018	Gasket set				
107	1	S0107000	Handle				
108	1	S0108000R	Joint				
109	1	S0109000	Tap				
110	1	S0110000	Gasket				
111	1	S0111000R	Tube				
112	1	S0112000R	Nozzle 1 hole				
113	1	S0113000	Nozzle 2 holes				
114	1	S0114000	Nozzle 3 holes				
115	1	S0115000	Nozzle 4 holes				
116	1	S0116000	Nozzle 5 holes				
117	1	S0081001	Nut				
118	1	S0081002	Spring				
119	1	S0081003	Plug				
120	1	S0081004	Seat				
121	1	S0081005	Ring				
122	1	S0081006	Support				
123	1	S0046001AR	AV-mount				
124	4	S0136000	O-ring				
125	1	S0070001	Seal ring				
127	1	56012018	Gasket set				
128	1	56012019	Nozzle 1 set				
129	1	S0112001	Gasket				
130	1	S0112002	Nozzle 1 hole				

KEES VAN DER SPEK
TUINMACHINES ★ STOLWIJK