

HUSQVARNA - SPARE PARTS CATALOG

CHAIN SAWS: 450

KEES VAN DER SPEK
TUINMACHINES ★ STOLWIJK

Sparepartslist

SPAREPARTSLIST

CHAIN SAWS
TUINMACHINES * STOLWIJK

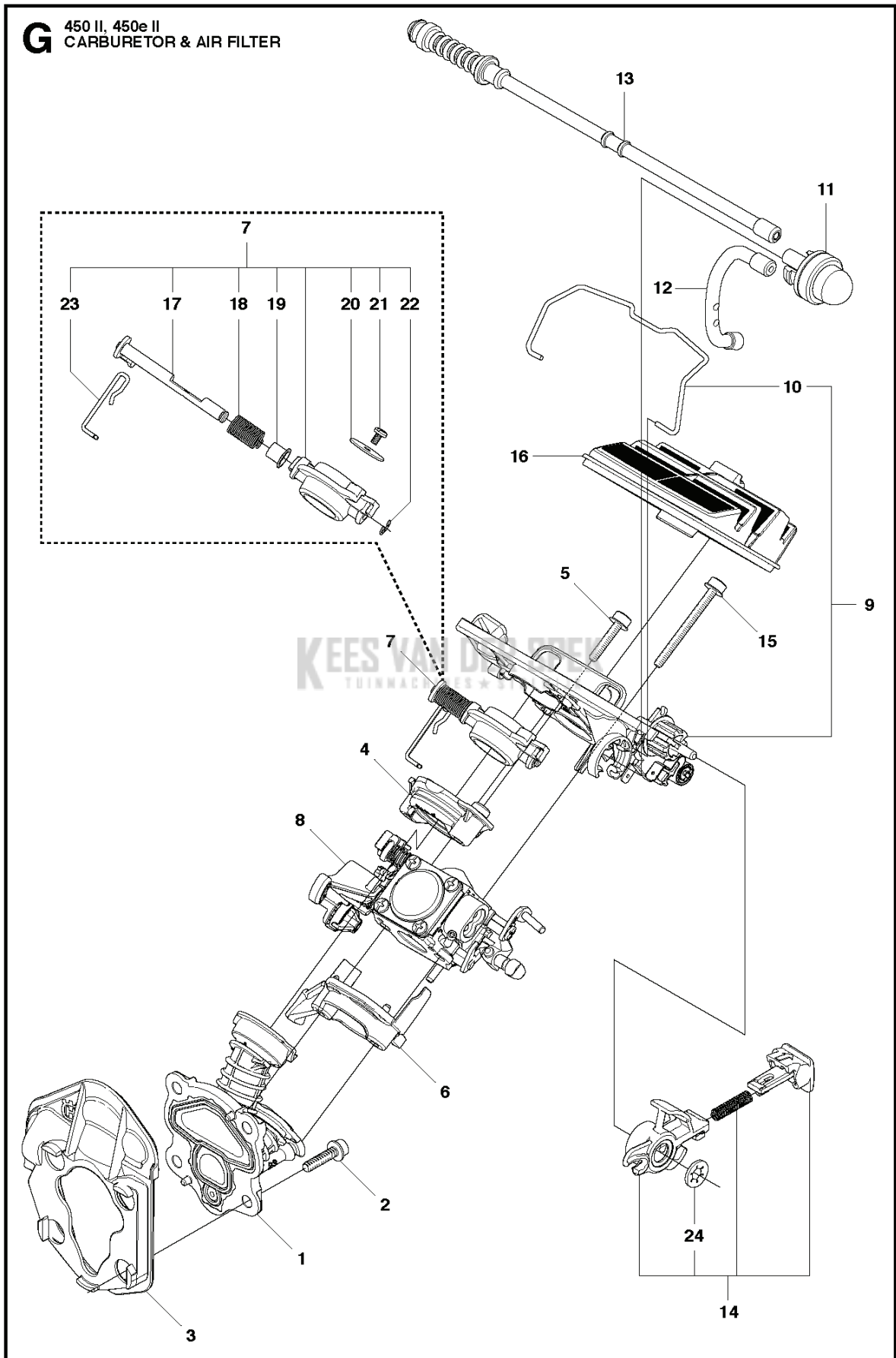
450

CHAIN SAWS

PXM_REF	PXM_PARTNO	DESCRIPTION	PXM_REMARK	QTY
1	506450401	CARBURATEUR		1
2	502078201	KRAAG		1 1
3	502078301	KRAAG		1 1
4	502078401	SCREW		1 1
5	502078601	VEER		1 1
6	502078701	VEER		1 1
7	503479001	SCREW		1 1
8	503479601	SCREW		1 1
9	503479701	VENTIEL		1 1
10	503480001	PIN RETAINING SCREW		1 1
11	503480101	SCREW		1 1
12	503480501	SCREW		4 1
13	503481101	PIECE		1 1
14	503481801	SCREW		2 1
15	503535601	PLUG WELCH		2 1
16	503535701	ZEEF		1 1
17	503665901	HEFBOOM		1 1
18	537020101	PAKKING		1 1,37
19	537383101	MEMBRAAN POMP		1 1,37
20	502078901	DEKSEL		1 1
21	537383301	SCREW		1 1
22	537383401	VEER		1 1
23	537383701	DEKSEL		1 1
24	544237701	MONDSTUK		1 1
25	502079001	MEMBRAAN		1 1,37
26	502079101	HEFBOOM		1 1
27	505101701	HEFBOOM		1 1
28	502079401	AS COMPL.		1 1
29	502079501	AS COMPL.		1 1
30	502247701	VENTIEL		1 1
31	502079801	KRAAG		1 1
32	537383601	PAKKING		1 1,37
33	502081701	HEFBOOM		1 1
34	502079901	SCREW		1 1
35	502080001	SCREW		1 1
36	502080101	VENTIEL		1 1
37	502080201	PAKKINGSET	B = Set of Gaskets	1 1
38	544119501	PLUG		1 1

KEE VAN DER SPEK
TUINWACHINES * STOLWIJK

G 450 II, 450e II
CARBURETOR & AIR FILTER

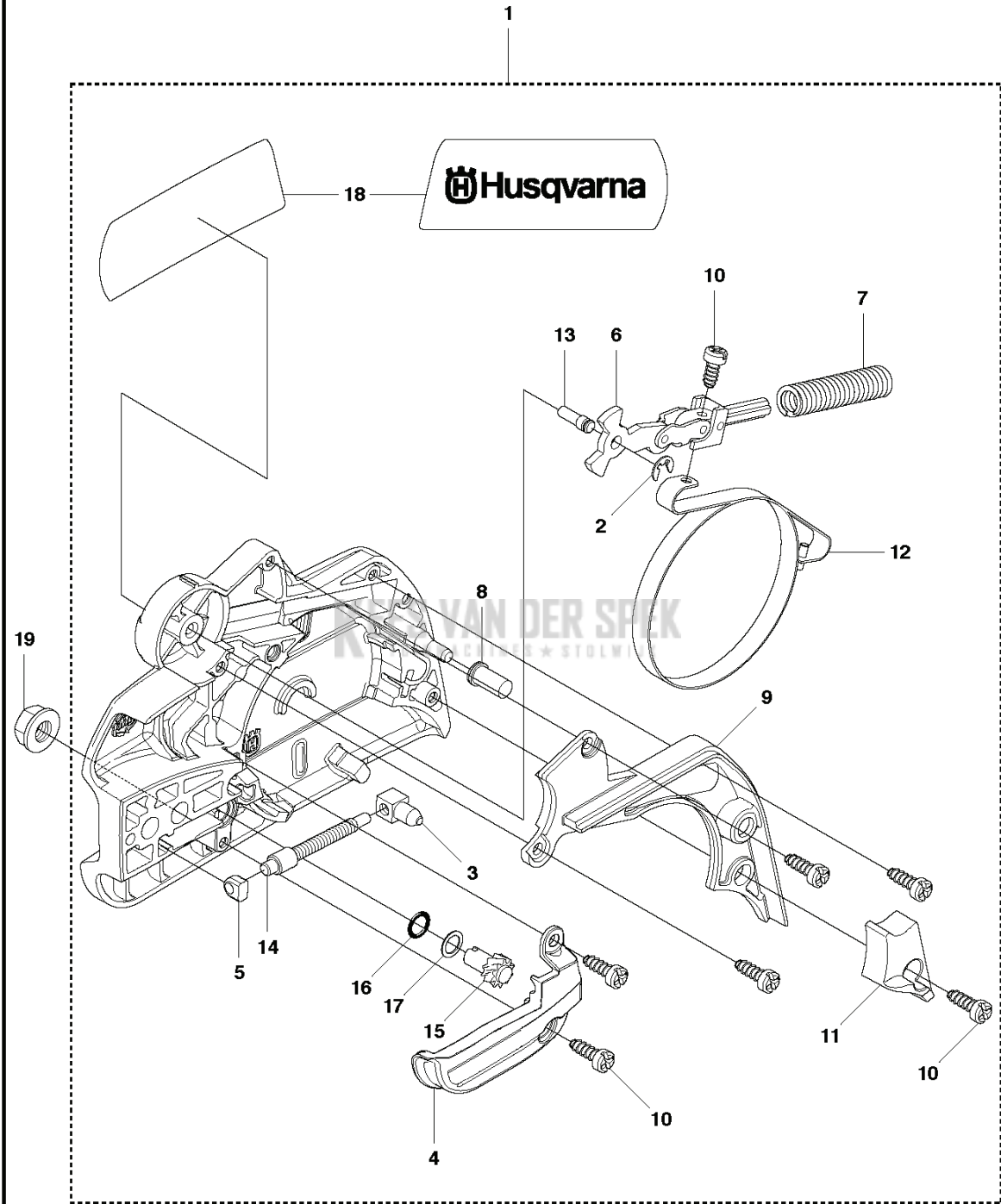


CHAIN SAWS

PXM_REF	PXM_PARTNO	DESCRIPTION	PXM_REMARK	QTY
1	544082301	PIJP COMPL.		1
2	503200216	SCHROEF IHSCFM		4
3	544083801	INTERMEDATE WALL		1
4	544084001	FLENS		1
5	503210725	SCHROEF IHSCFT		2
6	544084101	FLENS		1
7	544148201	GAS		1
8	506450401	CARBURATEUR	C1M-EL37B	1
9	505514701	FILTERHOUDER COMPL.		1
10	544231401	SLUITING		1 9
11	503936601	PURGE	air purge	1
12	544401901	SLANG	suction hose	1
13	577535101	RETOURSLANG	return hose	1
14	544359902	BEDIENING		1
15	503210750	SCHROEF IHSCFT		2
16	544080801	LUCHTFILTER	80µ	1
16	544080802	LUCHTFILTER	44µ	1
16	544080803	LUCHTFILTER	Felt	1
17	502081001	AS COMPL.		1 7
18	502081101	VEER		1 7
19	502080801	KRAAG		1 7
20	502081201	VENTIEL		1 7
21	503481801	SCREW		1 7
22	537385201	KLEM		1 7
23	502080901	STANG		1 7
24	735583000	RING		1 14

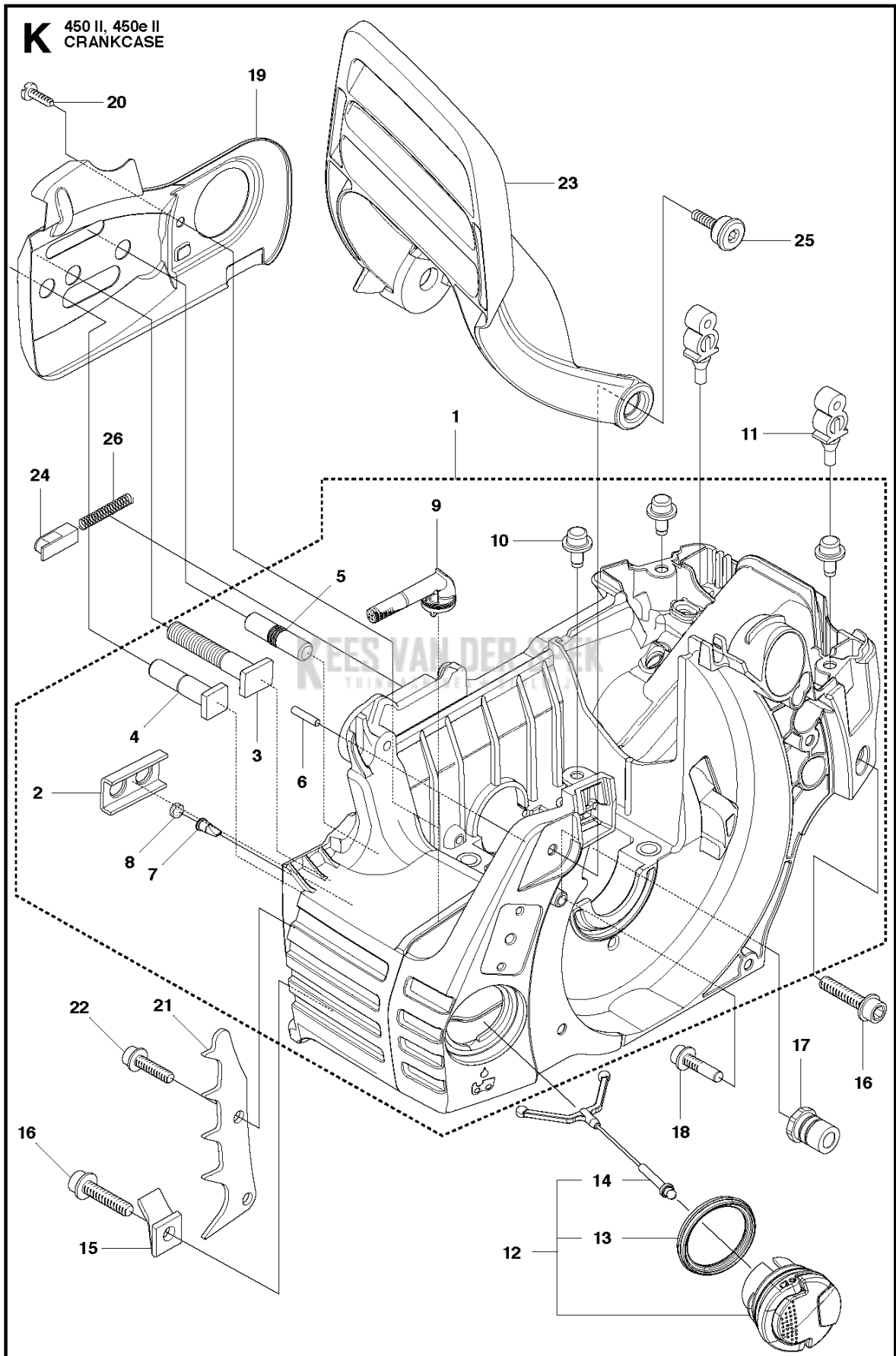
KEES VAN DER SPEK
TUINMACHINES ★ STOLWIJK

A2 450 II
CHAIN BRAKE & CLUTCH COVER



CHAIN SAWS

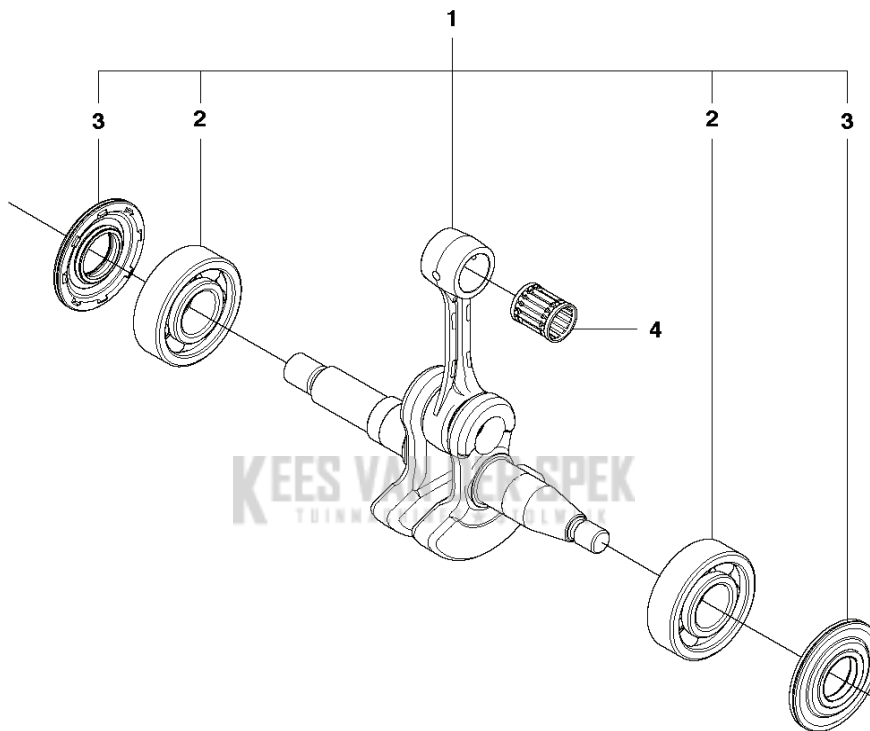
PXM_REF	PXM_PARTNO	DESCRIPTION	PXM_REMARK	QTY
1	544097901	KOPPELINGSKAP COMPL.		1
2	735310820	E-CLIP		1 1
3	537286601	PAL		1 1
4	540063301	KETTINGGELEIDER		1 1
5	537017401	LAGERHULS		1 1
6	503890802	KNIEGEWRICHT COMPL.		1 1
7	503465901	REMVVEER		1 1
8	503855201	GELEIDEHULS		1 1
9	544082901	DEKSEL		1 1
10	526221801	SCREW CITXPANT		7 1
11	544083001	SLUITBESCHERMING		1 1
12	537043001	REMBAND COMPL.		1 1
13	503892901	PEN		1 1
14	537397001	WORMSCHROEF		1 1
15	537079402	WORMWIEL		1 1
16	740480702	O-RING		1 1
17	503230063	RING		1 1
18	544376801	PLAATJE		1 1
19	503220001	ZESKANT MOER		1



CHAIN SAWS

PXM_REF	PXM_PARTNO	DESCRIPTION	PXM_REMARK	QTY
1	537438201	CARTER		1
2	503875802	VERSTEVIIGINGSPLAAT		1 1
3	503875402	ZAAGBLADBOUT		1 1
4	537334601	ZAAGBLADBOUT		1 1
5	544036401	ZAAGBLADBOUT		1 1
6	503240905	NAALDROL		1 1
7	530026119	CONTROLEKLEP		1 1
8	537403501	FILTER		1 1
9	544083301	OLIEZEEF		1 1
10	544331601	GELEIDEPEN		3 1
11	503869301	STEUN		2
12	522620003	TANKDEKSEL COMPL.		1
13	589241101	PAKKING		1 12
14	503578901	HOLDER		1 12
15	503886301	PEN		1
16	503218876	SCHROEF IH SCT		2
17	501007601	STEUN		2
18	503215103	SCHROEF IH SCT		1
19	544094001	KETTINGELEIDERPLAAT		1
20	503217010	SCHROEF CCRPANT		1
21	503905901	SPIKE		1
22	503217520	SCHROEF IH SCFT		2
23	544082601	HANDBESCHERMING		1
24	503892401	SLOT		1
25	503893001	SCREW		2
26	503436501	POSITIEVEER		1

J 450 II, 450e II
CRANKSHAFT

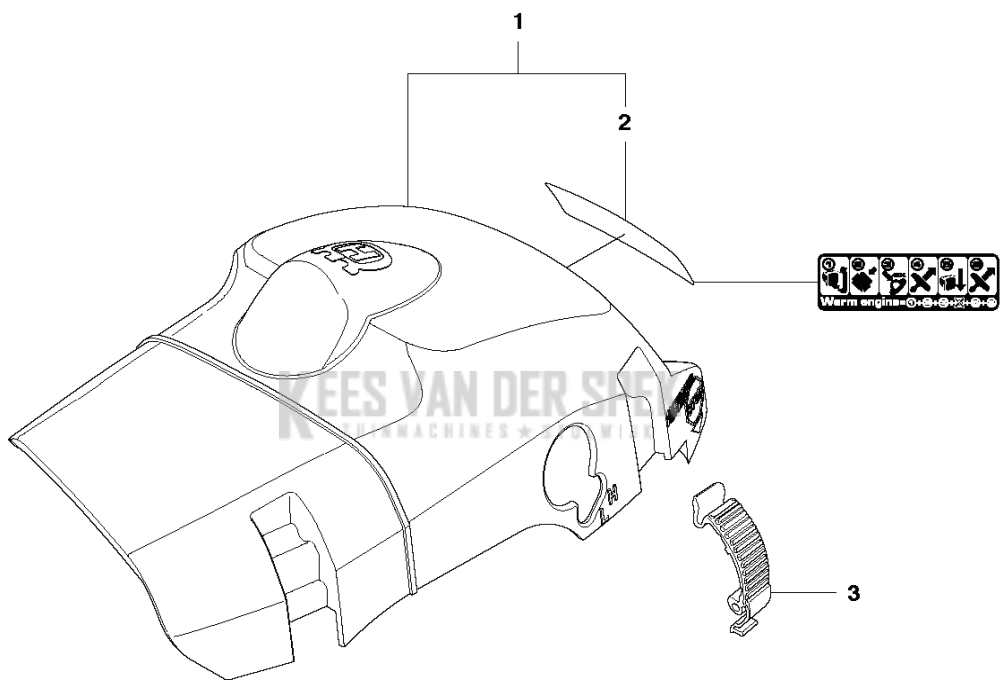


CHAIN SAWS

PXM_REF	PXM_PARTNO	DESCRIPTION	PXM_REMARK	QTY
1	525605001	KRUKAS COMPL.		1
2	544062001	LAGER		2 1
3	544013801	AFDICHTING		2 1
4	503256302	NAALDLAGER		1

KEES VAN DER SPEK
TUINMACHINES ★ STOLWIJK

C 450 II, 450e II
CYLINDER COVER

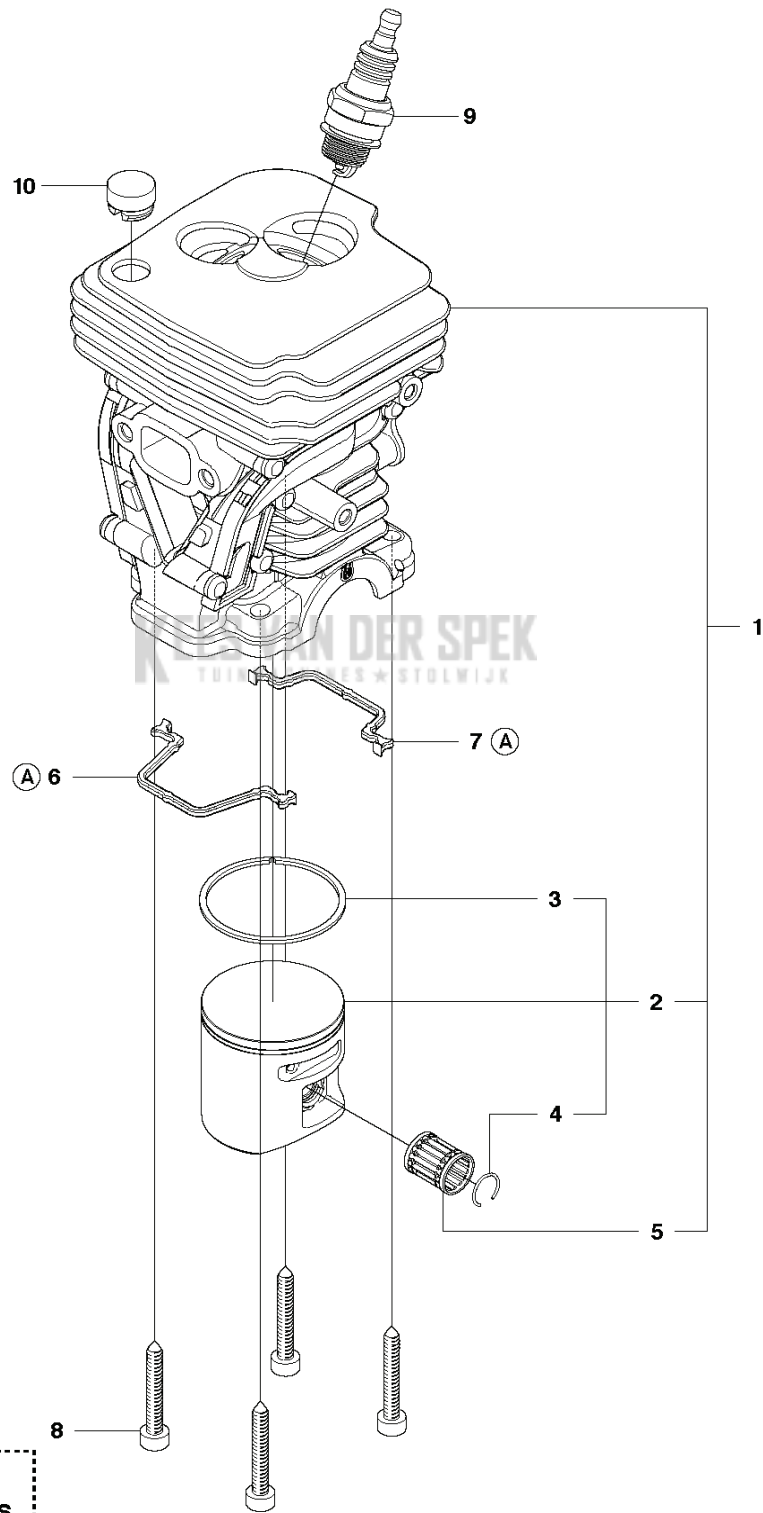


CHAIN SAWS

PXM_REF	PXM_PARTNO	DESCRIPTION	PXM_REMARK	QTY
1	581530601	CILINDERKAP SYSTEEM		1
2	522736001	PLAATJE		1 1
3	503894701	SNAPSLUITING		3

KEES VAN DER SPEK
TUINMACHINES ★ STOLWIJK

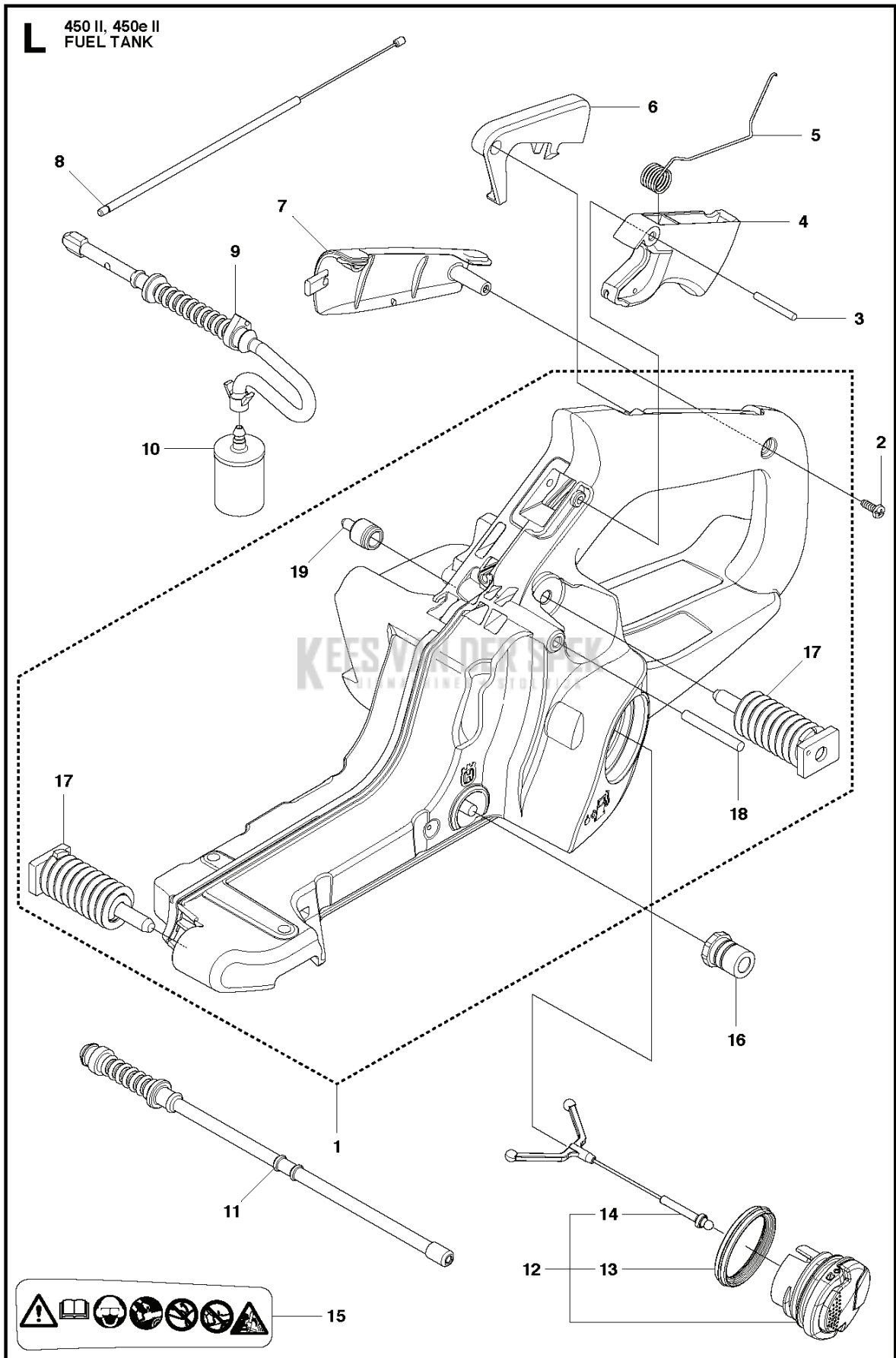
H 450 II, 450e II
CYLINDER PISTON



(A) 544 97 20-01
Set of gaskets

CHAIN SAWS

PXM_REF	PXM_PARTNO	DESCRIPTION	PXM_REMARK	QTY
1	544119803	CILINDER		1
2	544088905	ZUIGER COMPL.		1 1
3	544088701	ZUIGERVEER		1 1,2
4	544211301	BORGCLIP		1 1,2
5	503256302	NAALDLAGER		1 1
6	544108701	PAKKING		1 11
7	544109201	PAKKING		1 11
8	503200527	SCHROEF IHSCM		4
9	503235111	BOUGIE		1
10	540057301	STEUN		1
11	544972001	PAKKINGSET	Set of Gaskets	1

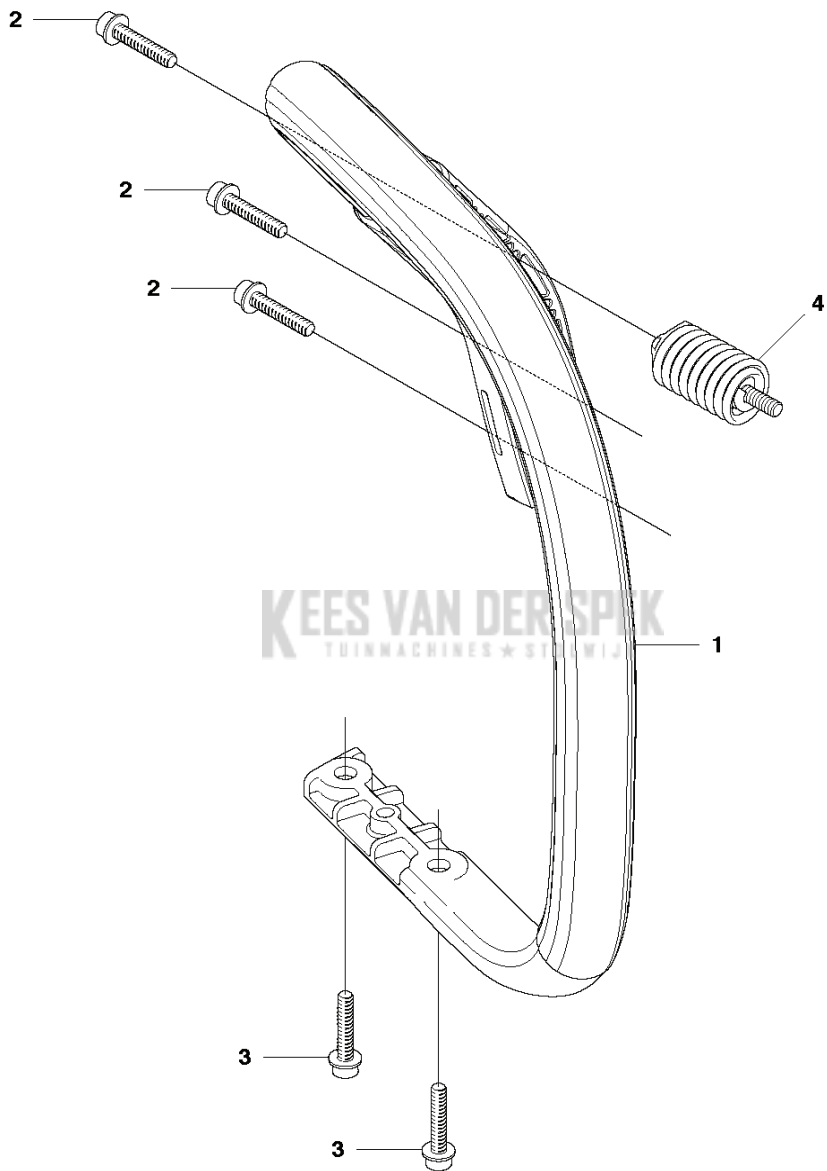


CHAIN SAWS

PXM_REF	PXM_PARTNO	DESCRIPTION	PXM_REMARK	QTY
1	525862101	BRANDSTOFTANK COMPL.		1
2	503212810	SCHROEF CCRPANT		1
3	720182520	CILINDRISCHE PEN		1
4	544099701	THROTTLE TRIGGER		1
5	544099901	VEER		1
6	544099801	GASVERGRENDELING		1
7	504122201	HANDGREEPINZETSTUK		1
8	504098801	GASKABEL COMPL.		1
9	544128601	BRANDSTOFSLANG		1
10	503443201	BRANDSTOFFILTER		1
11	577535101	RETOURSLANG		1
12	522620003	TANKDEKSEL COMPL.		1
13	589241101	PAKKING		1 12
14	503578901	HOLDER		1 12
15	544375001	PLAATJE		1
16	501007601	STEUN		1
17	544101201	AV ELEMENT		2 1
18	721126339	KERFSTIFT		1 1
19	501152901	TANKONTLUCHTING COMPL.		1 1

KEES VAN DER SPEK
TUINMACHINES ★ STOLWIJK

M 450 II, 450e II
HANDLE



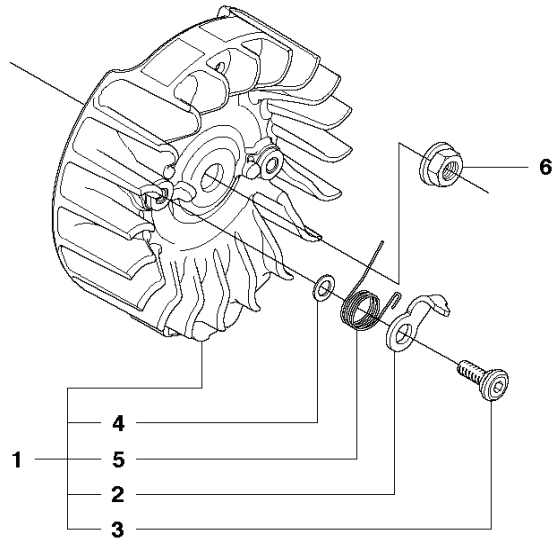
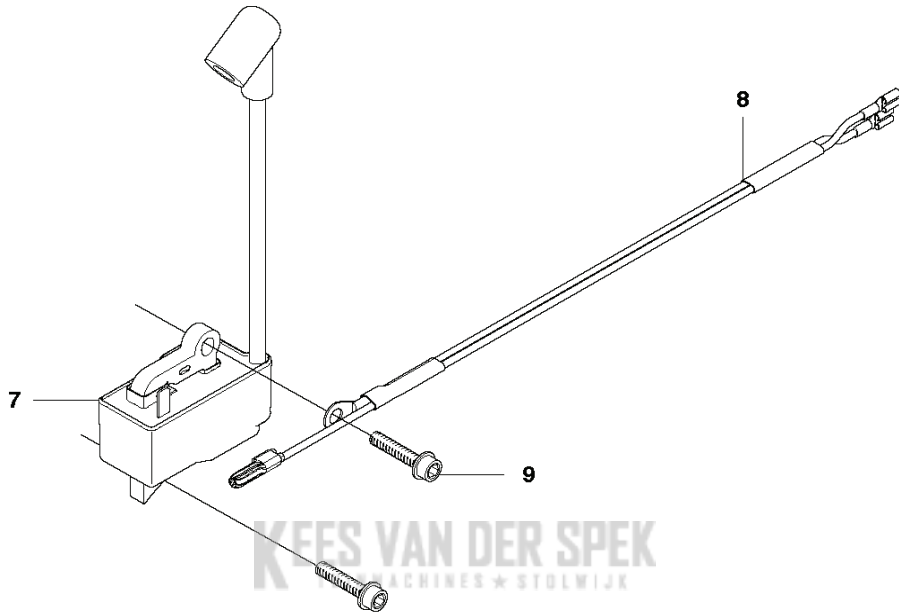
KEES VAN DER SPIJK
TUINMACHINES * STUWIJ

CHAIN SAWS

PXM_REF	PXM_PARTNO	DESCRIPTION	PXM_REMARK	QTY
1	544083901	VOORSTE BEUGEL		1
2	503218876	SCHROEF IHSCT		3
3	503210270	SCHROEF IHSCT		2
4	503898301	AV ELEMENT		1

KEES VAN DER SPEK
TUINMACHINES ★ STOLWIJK

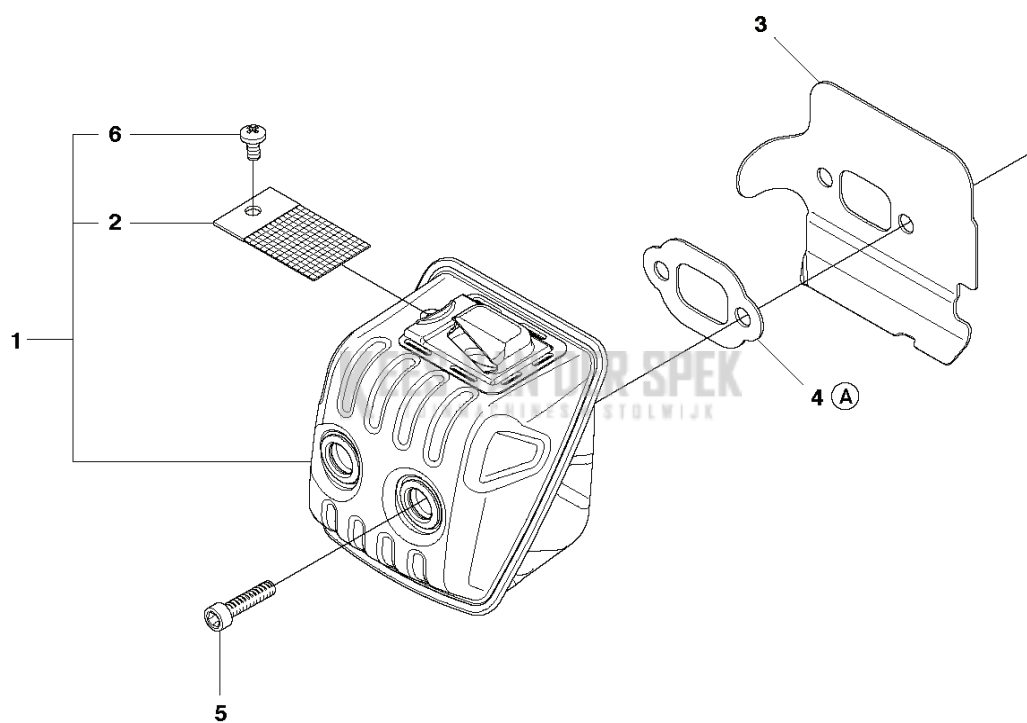
E 450 II, 450e II
IGNITION SYSTEM



CHAIN SAWS

PXM_REF	PXM_PARTNO	DESCRIPTION	PXM_REMARK	QTY
1	580279601	VLEGGWIEL COMPL.		1
2	537245601	STARTPAL		2 1
3	501819903	SCREW		2 1
4	503230042	RING		2 1
5	529271101	VEER		2 1
6	503220401	MOER		1
7	579638803	ONTSTEKING MODULE		1
8	510101501	BEKABELING COMPL.		1
9	503200220	SCHROEF IHSCFM		2

F 450 II, 450e II
MUFFLER

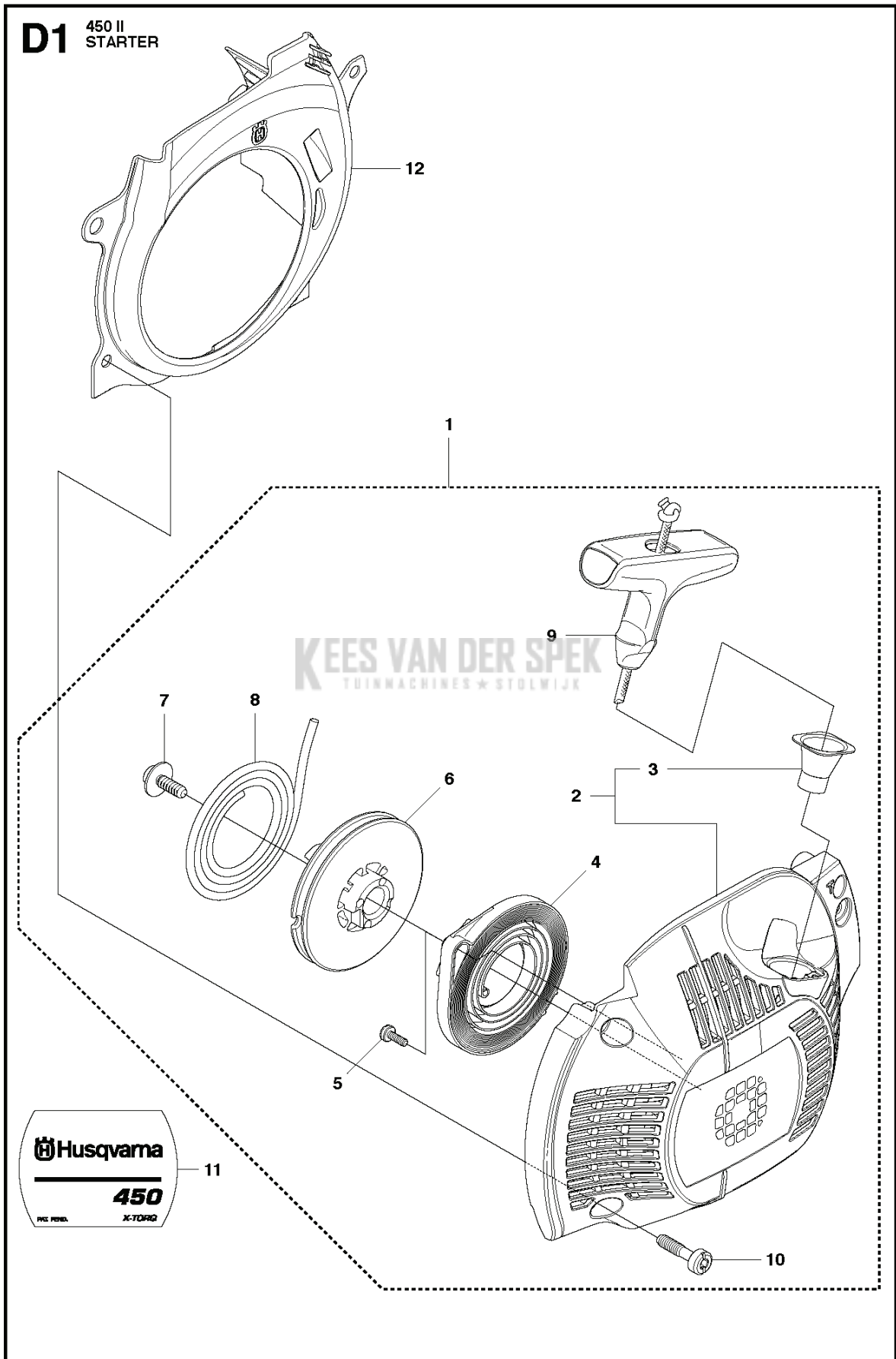


7
Ⓐ 544 97 20-01
Set of gaskets

CHAIN SAWS

PXM_REF	PXM_PARTNO	DESCRIPTION	PXM_REMARK	QTY
1	544147702	GELUIDDEMPER COMPL.		1
2	579753301	VIZIER		1 1
3	579753201	WARMTEDEFLECTOR		1
4	579753101	PAKKING		1 7
5	725536855	SCHROEF IHSCM		2
6	724128759	SCHROEF CRPANM		1 1
7	544972001	PAKKINGSET	Set of Gaskets	1

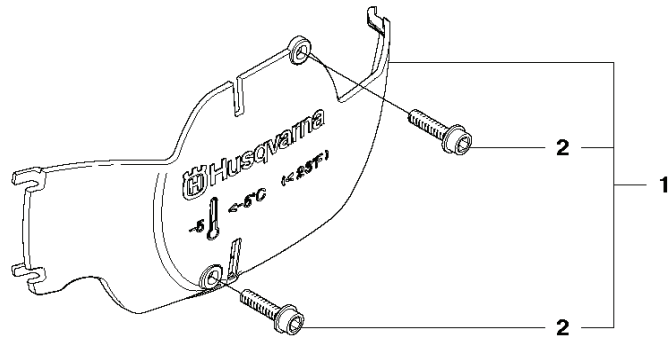
D1 450 II
STARTER



CHAIN SAWS

PXM_REF	PXM_PARTNO	DESCRIPTION	PXM_REMARK	QTY
1	544071604	STARTER COMPL.		1
2	586690201	STARTERHUIS		1 1
3	537283201	HULS		1 1.2
4	540057502	VEERCASSETTE COMPL.		1 1
5	503212810	SCHROEF CCRPANT		2 1
6	537092502	KOORDSCHIJF		1 1
7	503217716	SCHROEF IHSCT		1 1
8	505305125	STARTER CORD		1 1
9	537232501	STARTHANDVAT		1 1
10	503217321	SCREW		4 1
11	544377002	PLAATJE		1
12	544081501	COOLING AIR CONDUCTER		1

Q 450 II, 450e II
WINTER KIT



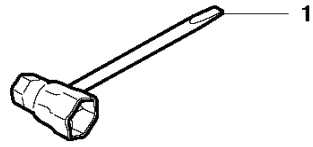
KEES VAN DER SPEK
TUINMACHINES * STOLWIJK

CHAIN SAWS

PXM_REF	PXM_PARTNO	DESCRIPTION	PXM_REMARK	QTY	
1	544464501	WINTER KIT	Winter kit	1	
2	503217016	SCHROEF CCRPANT		2	1

KEES VAN DER SPEK
TUINMACHINES ★ STOLWIJK

P 450 II, 450e II
ACCESSORIES

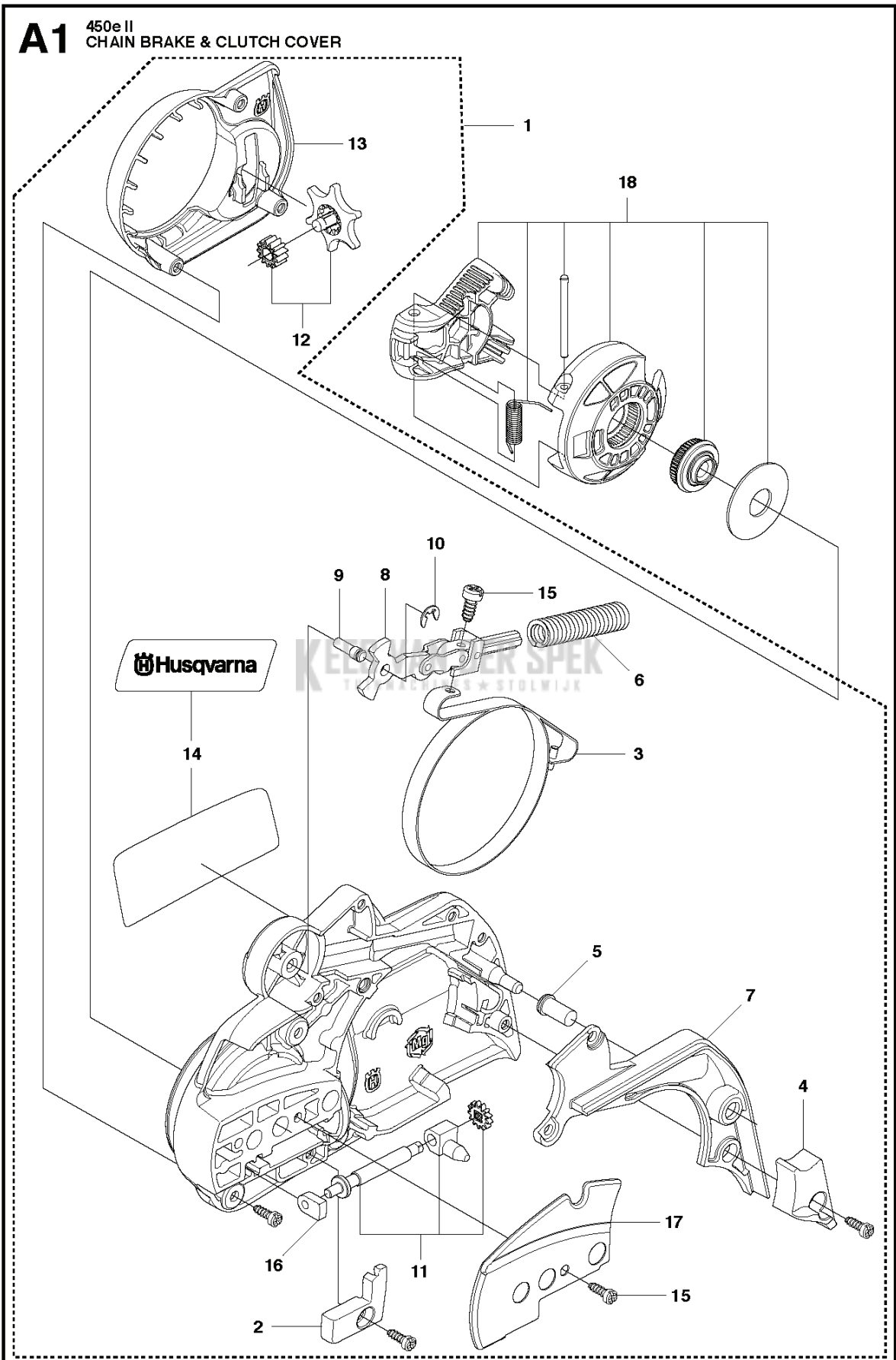


KEES VAN DER SPEK
TUINMACHINES ★ STOLWIJK

CHAIN SAWS

PXM_REF	PXM_PARTNO	DESCRIPTION	PXM_REMARK	QTY
1	501691701	COMBINATIESLEUTEL		1

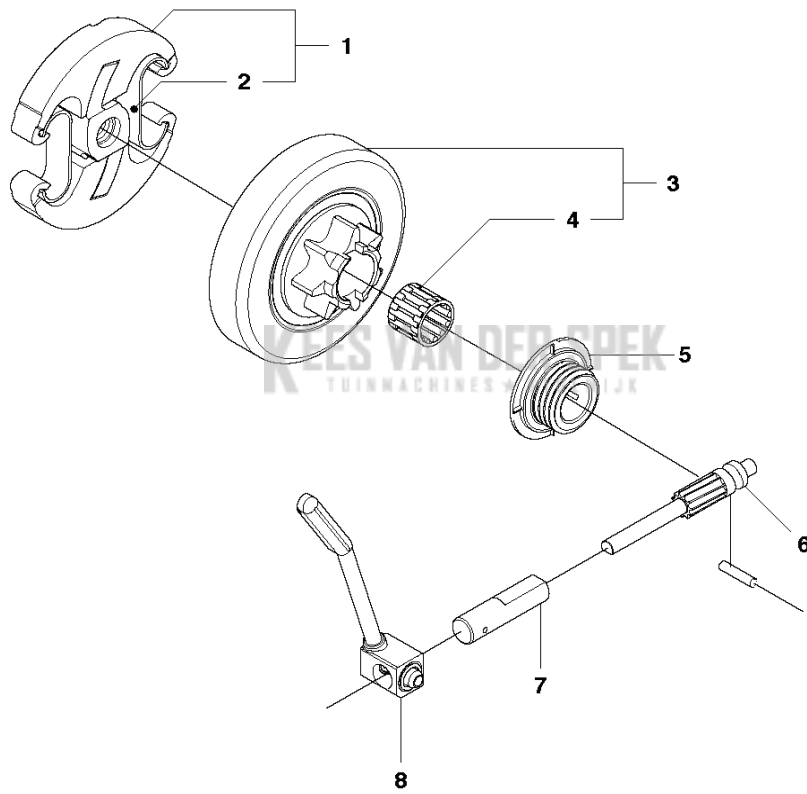
KEES VAN DER SPEK
TUINMACHINES ★ STOLWIJK



CHAIN SAWS

PXM_REF	PXM_PARTNO	DESCRIPTION	PXM_REMARK	QTY
1	544217201	KOPPELINGSKAP COMPL.		1
2	504542801	DEKSEL		1 1
3	537043001	REMBAND COMPL.		1 1
4	544083001	SLUTBESCHERMING		1 1
5	503855201	GELEIDEHULS		1 1
6	503465901	REMVEER		1 1
7	544082901	DEKSEL		1 1
8	503890802	KNIEGEWRICHT COMPL.		1 1
9	503892901	PEN		1 1
10	735310820	E-CLIP		1 1
11	537392901	SCREW		1 1
12	537347201	KETTINGSPANNER		1 1
13	537392601	HITTEBESCHERMING		1 1
14	544357501	PLAATJE		1 1
15	526221801	SCREW CITXPANT		10 1
16	525354301	LAGERHULS		1 1
17	544250501	SLUTPLAAT		1 1
18	537347801	KNOP		1

B 450 II, 450e II
CLUTCH & OIL PUMP



CHAIN SAWS

PXM_REF	PXM_PARTNO	DESCRIPTION	PXM_REMARK	QTY
1	537110503	KOPPELING COMPL.		1
2	537359101	KOPPELINGSVEER		2 1
3	578097901	KOPPELINGSTROMMEL COMPL.		1
4	503255201	NAALDLAGER		1 3
5	503931801	POMP RONDEL		1
6	540057901	POMPZUIGER		1
7	537154801	POMPCILINDER		1
8	544084201	OLIESLANG		1