

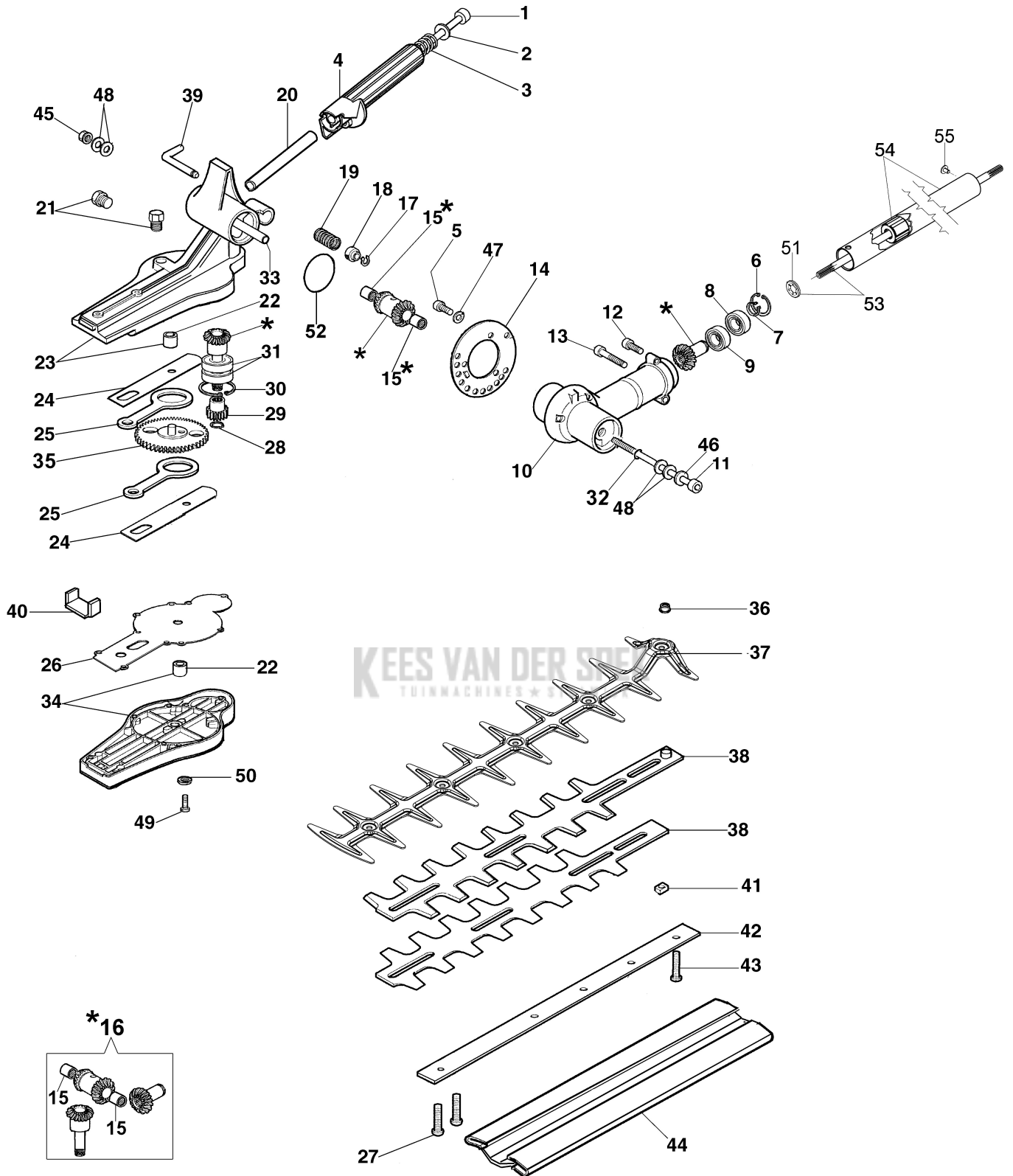
Application (Hedgetrimmer) DS 3000 D



Documenten

Hedgetrimmer

KEES VAN DER SPEK
TUINMACHINES ★ STOLWIJK



Illustratie Hedgetrimmer

Ref.Nu	Qty	Part number	Description	Validity from	Validity till	Notes	Bulletin
1	1	3901061R	Screw				
2	1	3918007R	Washer				
3	1	58050016	Spring				
4	1	58050018	Handle				
5	3	3901062R	Screw				
6	1	3025018R	Ring				
7	1	3024010R	Snap ring				
8	1	3035230R	Bearing				
9	1	3034008R	Bearing				
10	1	58050003B	Case				
11	1	3901060	Screw				
12	1	3901008R	Screw				
13	1	3901016	Screw				
14	1	58050005	Disk				
15	2	3037007	Bearing				
16	1	58050057A	Bevel gear set				
17	1	3024006	Snap ring				
18	1	58050014	Bushing				
19	1	58050015	Spring				
20	1	58050017	Pipe				
21	2	61040071R	Cap				
22	1	3067006R	Bushing				
23	1	58052016R	Gear housing				
24	2	58040057	Plate				
25	2	58040227AR	Connecting rod				
26	1	58050004	Gasket				
27	2	3801057	Screw				
28	1	3024008	Snap ring				
29	1	58050011AR	Sprocket				
30	1	3025020	Snap ring				
31	2	3035009R	Bearing				
32	1	008200282R	O-ring				
33	1	58050012	Pipe				
34	1	58052015R	Cover				
35	1	58040101	Chain sprocket				
36	4	3980014R	Nut				
37	1	61370464R	Guard				
38	2	58050021R	Blade				
39	1	58050013A	Pin				
40	1	58040077A	Gasket				
41	6	58040051	Spacer				
42	1	58050023	Support				
43	4	3979021R	Screw				
44	1	61370463R	Guard				
45	1	3914003R	Nut				
46	2	3918005R	Washer				

KEES VAN DER SPEK
TUINMACHINES ★ STOLWIJK

Illustratie Hedgetrimmer

Ref.Nu	Qty	Part number	Description	Validity from	Validity till	Notes	Bulletin
47	3	3819006R	Washer				
48	4	3057005R	Washer				
49	7	3960074R	Screw				
50	7	3819005R	Washer				
51	1	3045034R	Retainer washer				
52	1	099900090R	Ring				
53	1	61370497	Complete drive shaft Ø7				
54	1	61282061R	Tube Ø26				
55	1	3032027R	Rivet				

KEES VAN DER SPEK
TUINMACHINES ★ STOLWIJK