

HUSQVARNA - SPARE PARTS CATALOG
HEDGE TRIMMERS/POLE HEDGE TRIMMERS: HUSQVARNA
536LIHE3

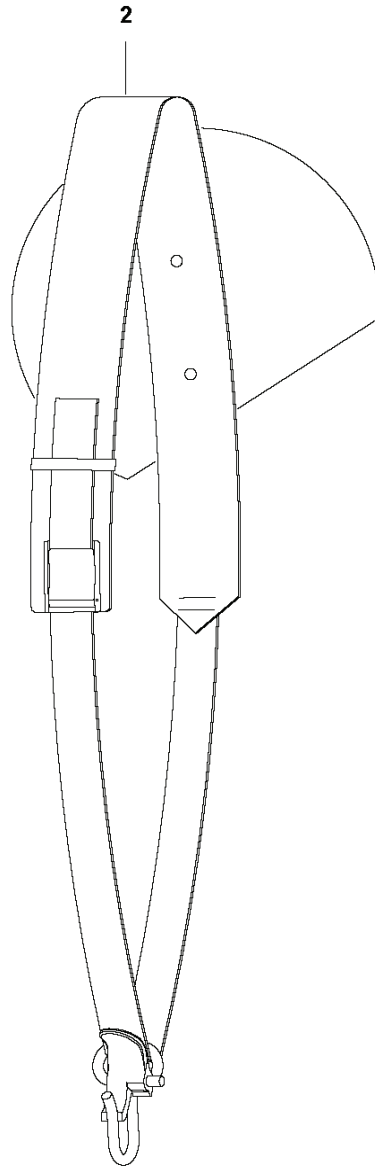
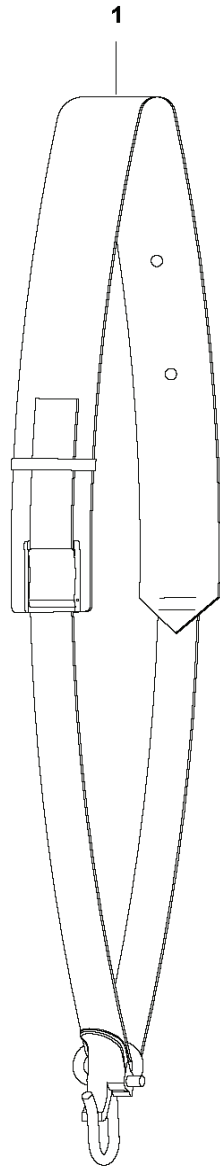
Sparepartslist

SPAREPARTSLIST

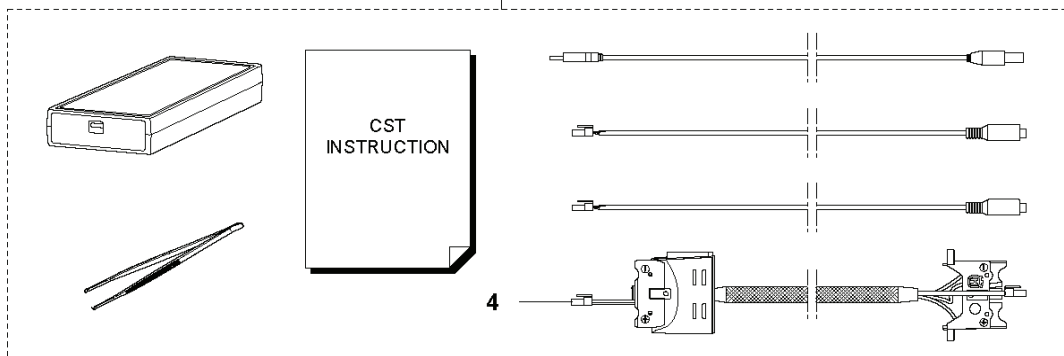
HEDGE TRIMMERS/POLE HEDGE
TRIMMERS

HUSQVARNA 536LIHE3

F 536LiHE3
ACCESSORIES



3

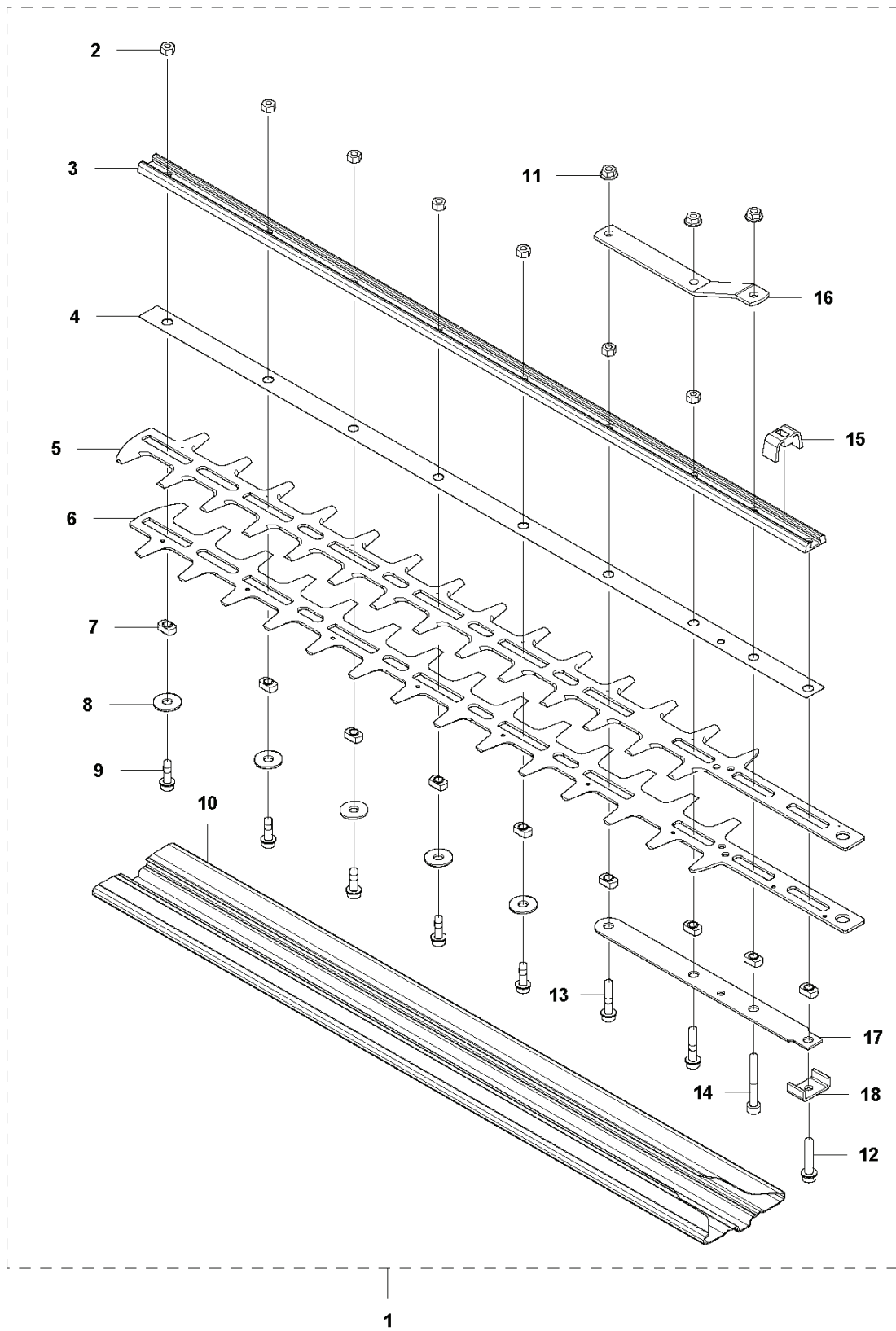


4

HEDGE TRIMMERS/POLE HEDGE TRIMMERS

| PXM_REF | PXM_PARTNO | DESCRIPTION | PXM_REMARK | QTY |
|---------|------------|---------------------|------------|-----|
| 1 | 537216201 | DRAAGSTEL | | 1 |
| 2 | 537216202 | DRAAGSTEL | | 1 |
| 3 | 583897101 | DIAGNOSTIC TOOL KIT | | 1 |
| 4 | 579621301 | BEKABELING COMPL. | | 1 3 |

A 536LiHE3
CUTTING

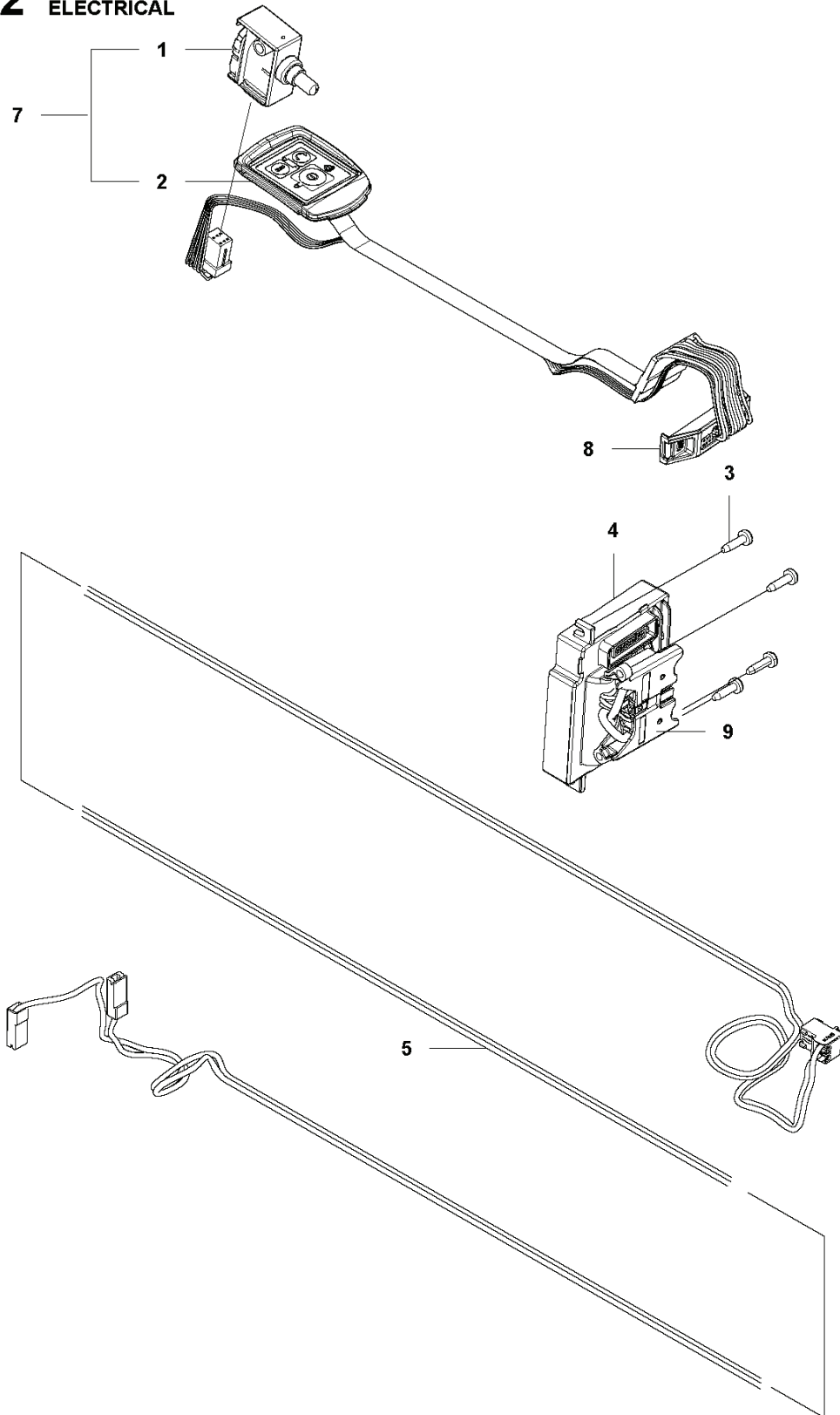


HEDGE TRIMMERS/POLE HEDGE TRIMMERS

| PXM_REF | PXM_PARTNO | DESCRIPTION | PXM_REMARK | QTY |
|---------|------------|----------------------|------------|-----|
| 1 | 582192901 | MAAIDEK | | 1 |
| 2 | 579633101 | ZESKANT MOER | | 7 1 |
| 3 | 579693801 | ZAAGBLAD | | 1 1 |
| 4 | 579693701 | SLUTPLAAT | | 1 1 |
| 5 | 582192601 | MES | | 1 1 |
| 6 | 582192601 | MES | | 1 1 |
| 7 | 582192701 | AFSTANDRING | | 9 1 |
| 8 | 503230024 | RING | | 5 1 |
| 9 | 584152201 | SCHROEF IHSCFM | | 5 1 |
| 10 | 579694201 | TRANSPORTBESCHERMING | | 1 1 |
| 11 | 503220009 | ZESKANT MOER | | 3 |
| 12 | 503200778 | SCHROEF IHSCFM | | 1 1 |
| 13 | 584152202 | SCHROEF IHSCFM | | 2 1 |
| 14 | 503200240 | SCHROEF IHSCFM | | 1 1 |
| 15 | 578372201 | PAKKING | | 1 1 |
| 16 | 580931501 | STEUN | | 1 1 |
| 17 | 579694001 | ZAAGBLAD | | 1 1 |
| 18 | 582192801 | BEVESTIGING | | 1 |

E2 536LiHE3
ELECTRICAL

FROM S/N 20180400173 -

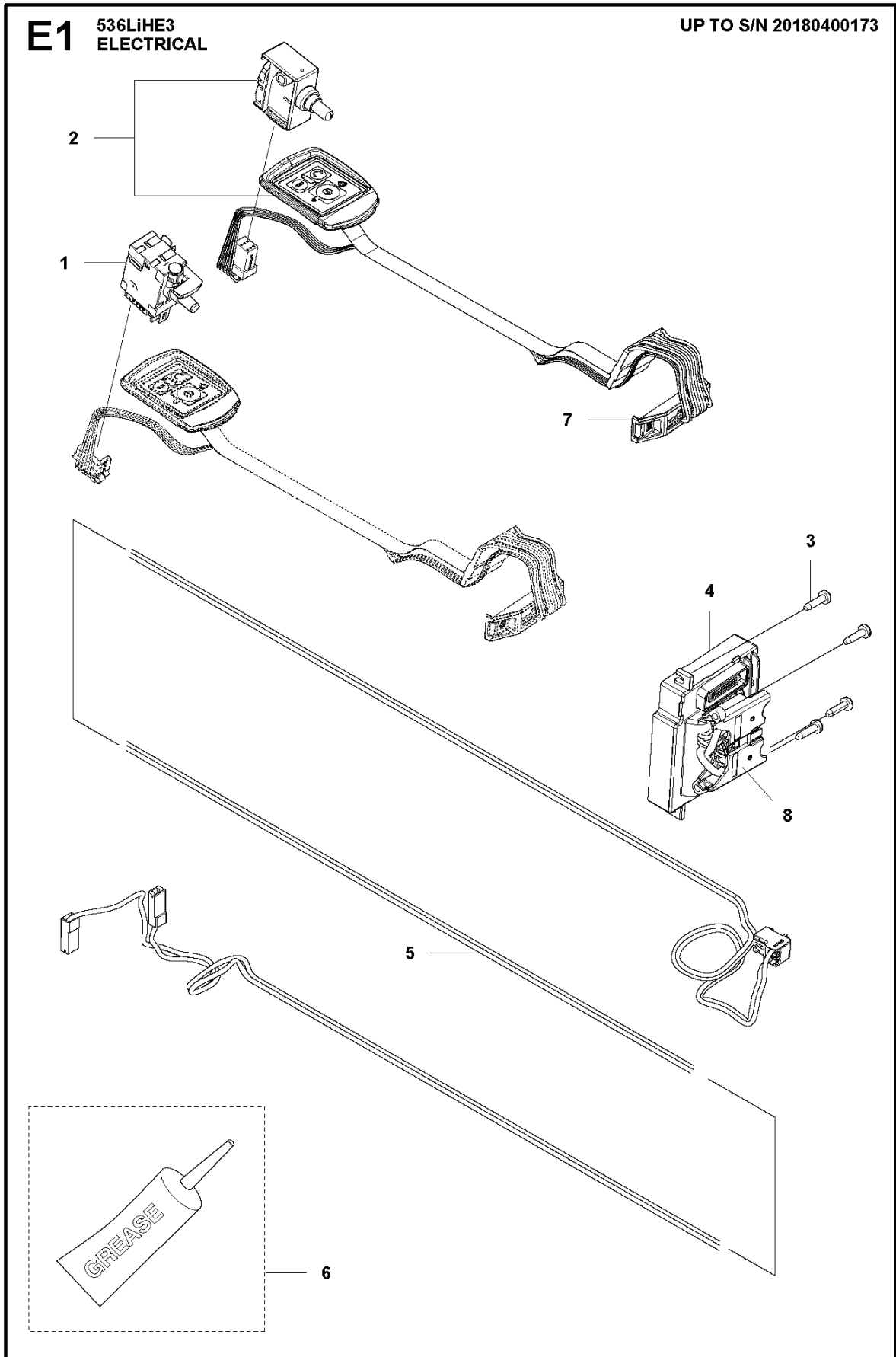


HEDGE TRIMMERS/POLE HEDGE TRIMMERS

| PXM_REF | PXM_PARTNO | DESCRIPTION | PXM_REMARK | QTY |
|---------|------------|-------------------|------------|-----|
| 1 | 582050701 | TREKSCHAKELAAR | | 1 7 |
| 2 | 589300301 | BEKABELING COMPL. | | 1 7 |
| 3 | 503212813 | SCHROEF CCRPANT | | 4 |
| 4 | 582054101 | BESTURINGSEENHEID | | 1 |
| 5 | 582188901 | BEKABELING COMPL. | | 1 |
| 7 | 593896601 | SCHAKELAAR KIT | | 1 |
| 8 | 587327201 | BEVESTIGING | | 1 |
| 9 | 593813001 | VERBINDER | | 1 |

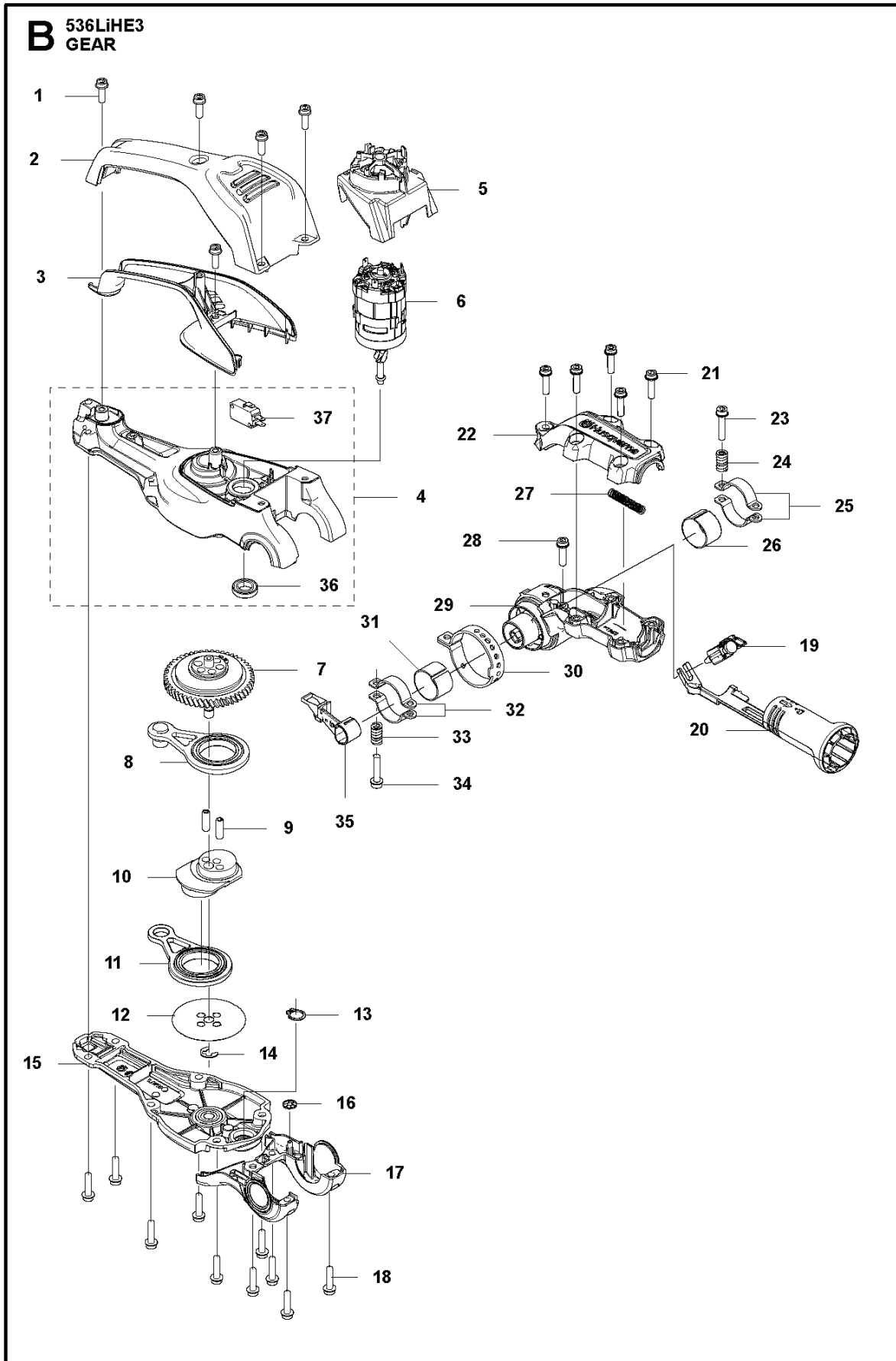
E1 536LiHE3
ELECTRICAL

UP TO S/N 20180400173



HEDGE TRIMMERS/POLE HEDGE TRIMMERS

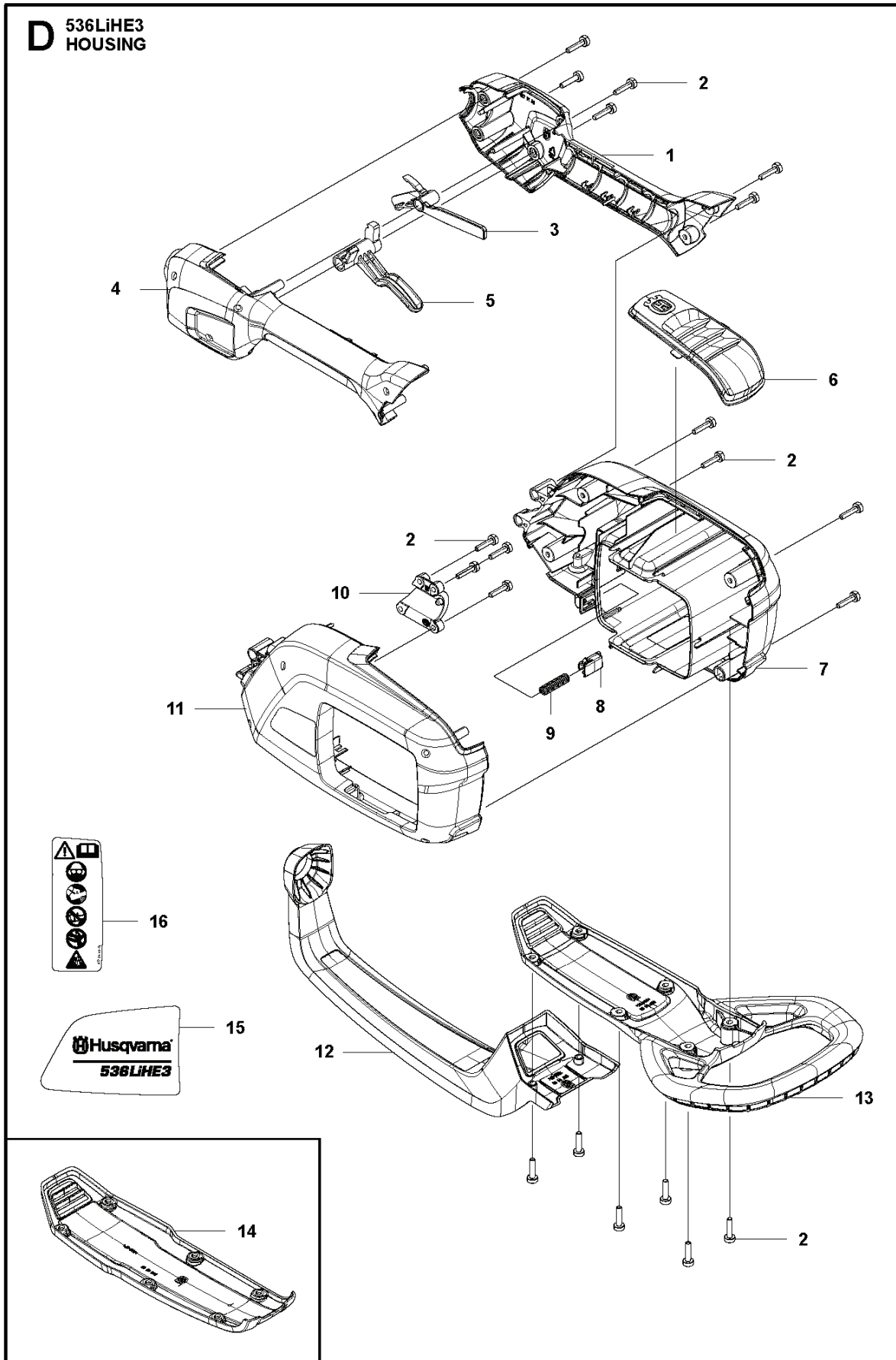
| PXM_REF | PXM_PARTNO | DESCRIPTION | PXM_REMARK | QTY |
|---------|------------|-------------------|------------|-----|
| 1 | 578326901 | TREKSCHAKELAAR | | 1 7 |
| 2 | 593896601 | SCHAKELAAR KIT | | 1 7 |
| 3 | 503212813 | SCHROEF CCRPANT | | 4 |
| 4 | 582054101 | BESTURINGSEENHEID | | 1 |
| 5 | 582188901 | BEKABELING COMPL. | | 1 |
| 6 | 588176401 | VET | | 1 |
| 7 | 587327201 | BEVESTIGING | | 1 |
| 8 | 593813001 | VERBINDER | | 1 |



HEDGE TRIMMERS/POLE HEDGE TRIMMERS

| PXM_REF | PXM_PARTNO | DESCRIPTION | PXM_REMARK | QTY |
|---------|------------|---------------------------|------------|-----|
| 1 | 503217572 | SCHROEF IHSCFT | | 5 |
| 2 | 588224801 | MOTORKAP | | 1 |
| 3 | 588224901 | MOTORKAP | | 1 |
| 4 | 588564403 | VERSNELLINGSBAKHUIS COMPL | | 1 |
| 5 | 582341401 | LUCHTLEIDING | | 1 |
| 6 | 588225801 | MOTOR COMPL | | 1 |
| 7 | 588223801 | VERSNELLING COMPL | | 1 |
| 8 | 577829302 | DRIJFSTANG COMPL | | 1 |
| 9 | 578002701 | HEAVY DUTY DOWEL PIN | | 2 |
| 10 | 501707101 | EXCENTRISCHE SCHIJF | | 1 |
| 11 | 577829302 | DRIJFSTANG COMPL | | 1 |
| 12 | 522714601 | SCHIJF | | 1 |
| 13 | 735311400 | BORGCLIP | | 1 |
| 14 | 578054901 | BORGRING | | 1 |
| 15 | 588570003 | COVER ASSY | | 1 |
| 16 | 735583000 | RING | | 1 |
| 17 | 588217901 | LAGER KAP | | 1 |
| 18 | 503216872 | SCHROEF IHSCFT | | 10 |
| 19 | 588215901 | BORGPEN | | 1 |
| 20 | 588215001 | HANDVAT | | 1 |
| 21 | 503216872 | SCHROEF IHSCFT | | 5 |
| 22 | 588215401 | DEKSEL | | 1 |
| 23 | 503200325 | SCHROEF IHSCFM | | 1 |
| 24 | 588217801 | REMBAND | | 1 |
| 25 | 588474901 | REMBAND COMPL | | 1 |
| 26 | 588217501 | SCHUIFBARE RING | | 1 |
| 27 | 582537101 | DRUKVEER | | 1 |
| 28 | 503216872 | SCHROEF IHSCFT | | 5 |
| 29 | 588215501 | HUIS | | 1 |
| 30 | 588216301 | RING | | 1 |
| 31 | 588217501 | SCHUIFBARE RING | | 1 |
| 32 | 588474901 | REMBAND COMPL | | 1 |
| 33 | 588217801 | REMBAND | | 1 |
| 34 | 503200325 | SCHROEF IHSCFM | | 1 |
| 35 | 588219201 | HEFBOOM | | 1 |
| 36 | 593209801 | KOGELLAGER | | 1 4 |
| 37 | 574316001 | SCHAKELAAR | | 1 4 |

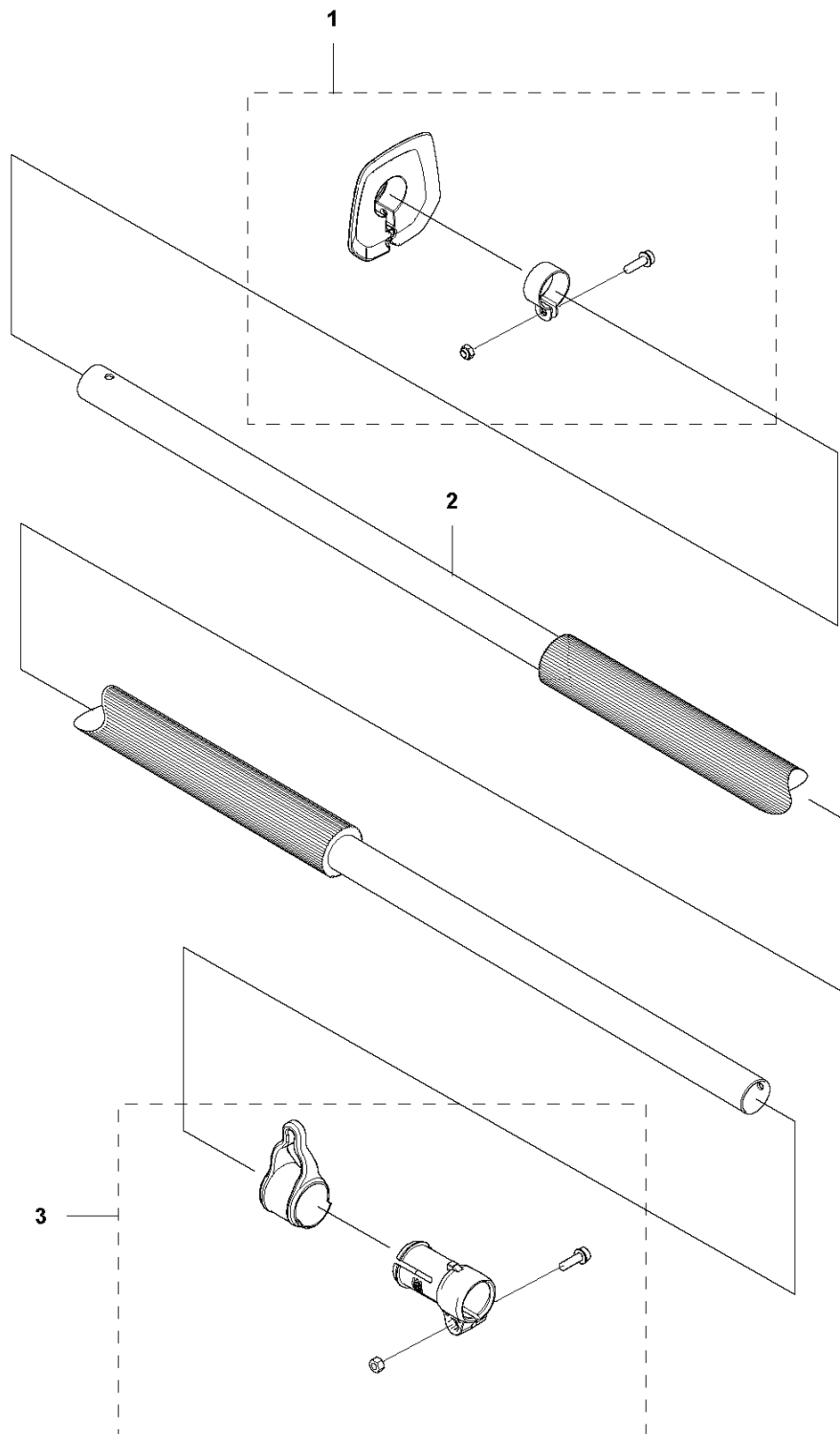
D 536LiHE3
HOUSING



HEDGE TRIMMERS/POLE HEDGE TRIMMERS

| PXM_REF | PXM_PARTNO | DESCRIPTION | PXM_REMARK | QTY |
|---------|------------|-----------------|------------|-----|
| 1 | 577013202 | HANDGREEPHELFT | | 1 |
| 2 | 579211901 | SCHROEF IHSCT | | 20 |
| 3 | 577512301 | GASVERGREDELING | | 1 |
| 4 | 577013101 | HANDGREEPHELFT | | 1 |
| 5 | 589377901 | TREKKER | | 1 |
| 6 | 577014101 | DEKSEL | | 1 |
| 7 | 577013002 | HUIS | | 1 |
| 8 | 577996601 | DRUKKNOP | | 1 |
| 9 | 585480001 | VEER | | 1 |
| 10 | 577022201 | KLEM | | 1 |
| 11 | 577007603 | HUIS | | 1 |
| 12 | 587346001 | TREKKER | | 1 |
| 13 | 587345801 | BUMPER | | 1 |
| 14 | 588919801 | GLIJ PLAAT | | 1 |
| 15 | 588602804 | STICKER | | 1 |
| 16 | 577844301 | STICKER | | 1 |

C 536LiHE3
TUBE



HEDGE TRIMMERS/POLE HEDGE TRIMMERS

| PXM_REF | PXM_PARTNO | DESCRIPTION | PXM_REMARK | QTY |
|---------|------------|-----------------------|------------|-----|
| 1 | 579488601 | HANDBESCHERMER COMPL. | | 1 |
| 2 | 588699001 | TUBE ASSY | | 1 |
| 3 | 522920802 | DRAADBEVESTIGING | | 1 |