

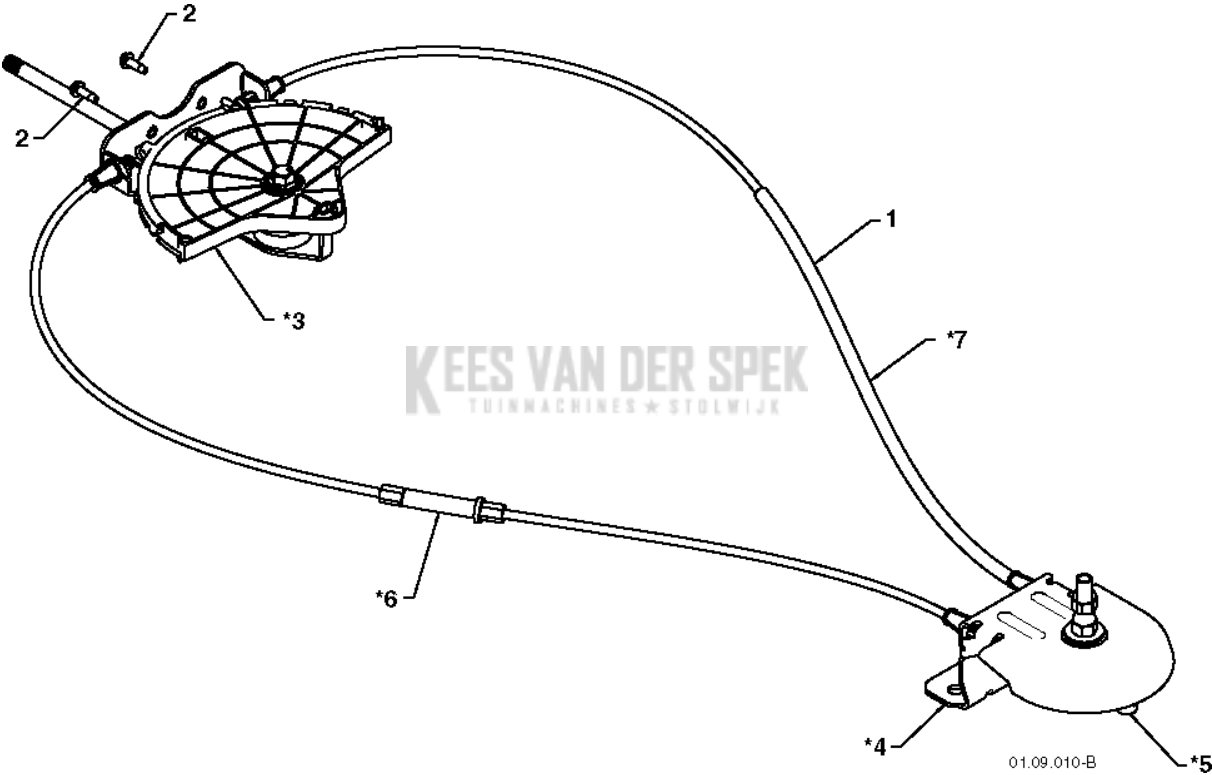
# SPARE PARTS LIST

SNOW BLOWERS/THROWERS

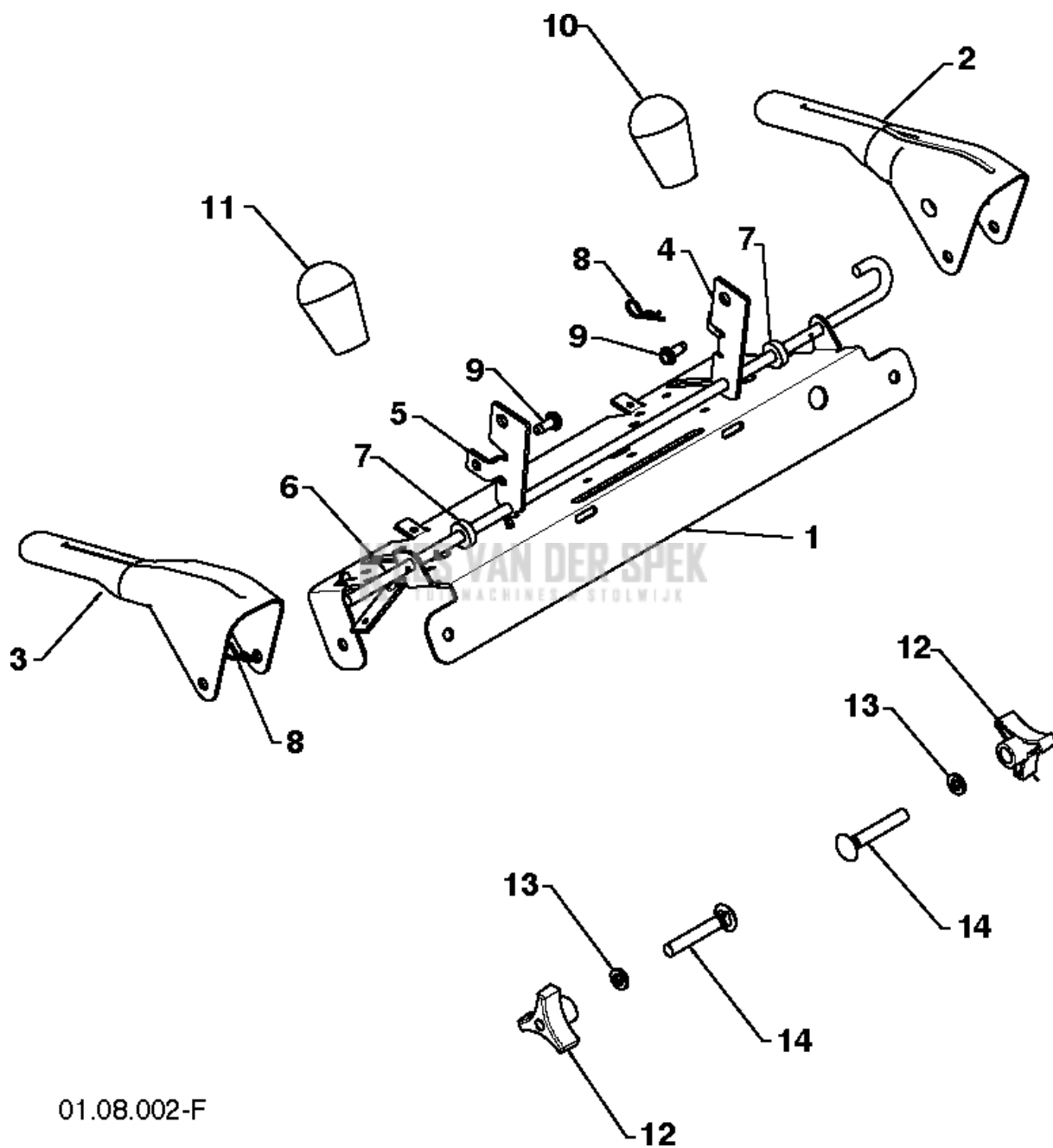
PM105, 96191004300, 2010-07



| Referentie | Onderdeel nr | Omschrijving | Opmerking | Aant KIT<br>al |
|------------|--------------|--------------|-----------|----------------|
| 1          | 532 42 12-49 | KABEL        |           | 1              |
| 2          | 874 04 10-24 | SCREW        |           | 1              |

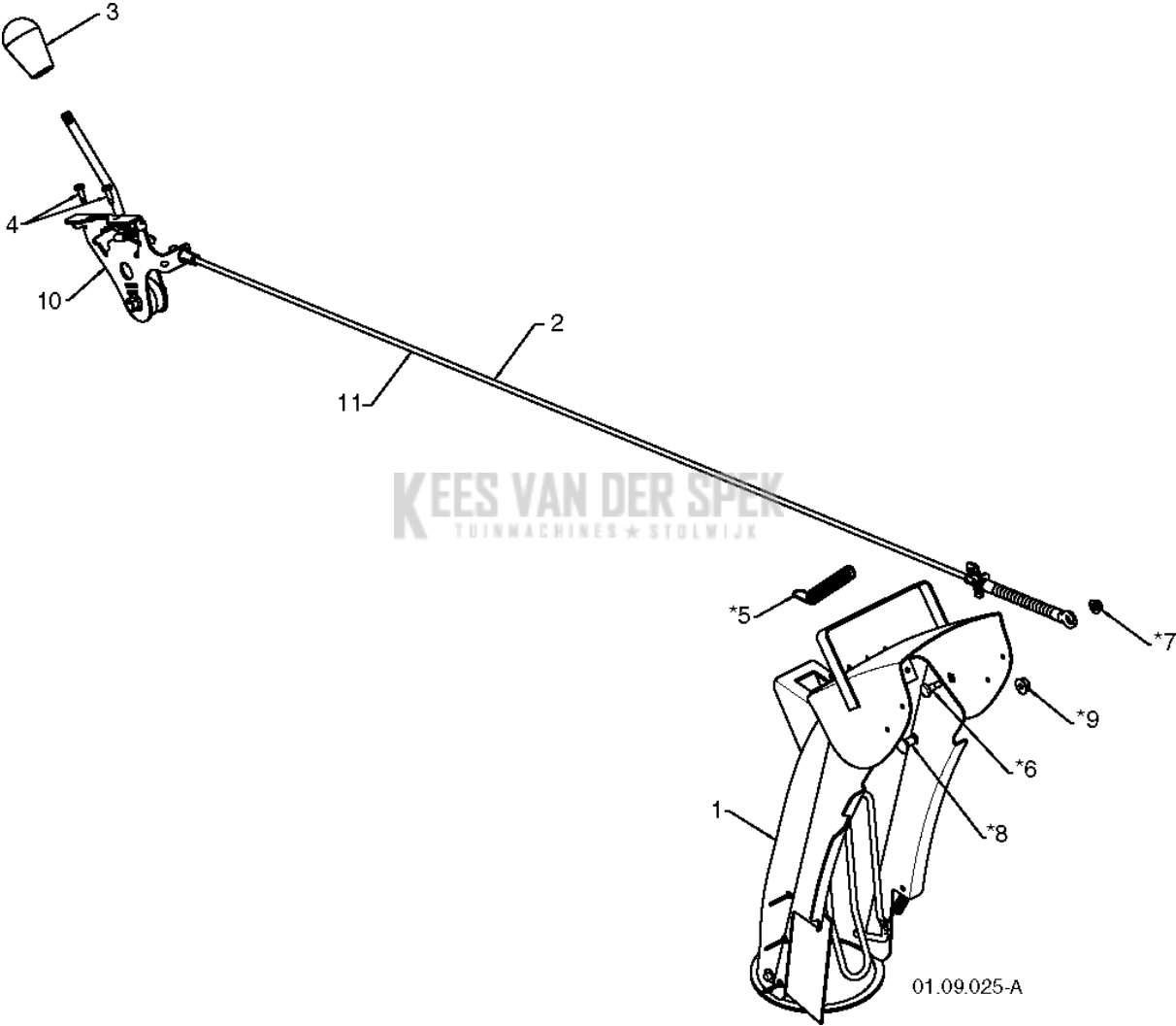


| Referentie | Onderdeel nr | Omschrijving | Opmerking | Aant KIT al |
|------------|--------------|--------------|-----------|-------------|
| 1          | 532 42 82-72 | HEFBOOM      |           | 1           |
| 2          | 817 50 10-10 | SCREW        |           | 1           |
| 3          | 532 42 06-78 | BEVESTIGING  |           | 1           |
| 4          | 532 40 59-32 | BEVESTIGING  |           | 1           |
| 5          | 532 42 06-75 | POELIE       |           | 1           |
| 6          | 532 42 82-73 | KABEL COMPL. |           | 1           |
| 7          | 532 42 83-10 | KABEL COMPL. |           | 1           |



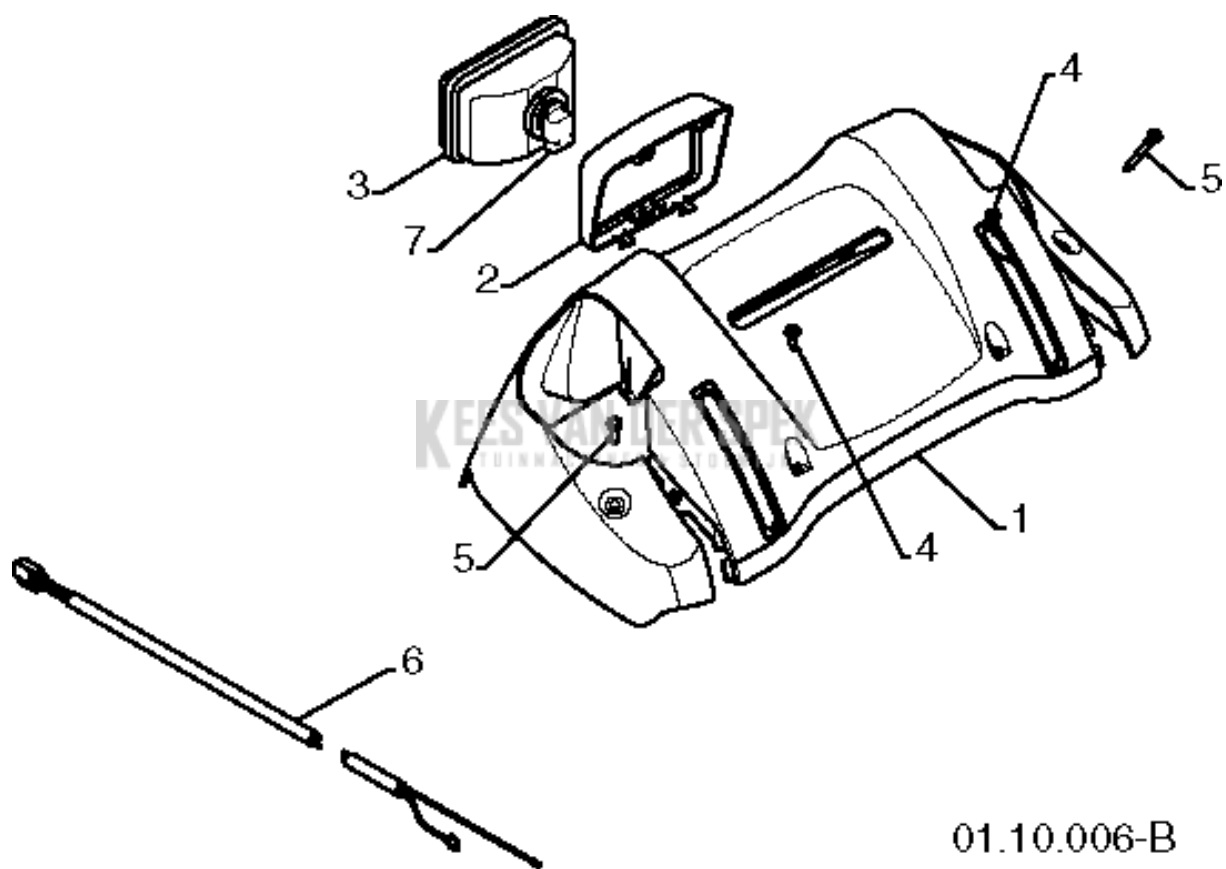
01.08.002-F

| Referentie | Onderdeel nr | Omschrijving        | Opmerking | Aant KIT al |
|------------|--------------|---------------------|-----------|-------------|
| 1          | 532 43 58-04 | CONTROLE PANEEL     |           | 1           |
| 2          | 532 43 61-10 | CONTROLE HEFBOOM    |           | 1           |
| 3          | 532 43 61-11 | CONTROLE HEFBOOM    |           | 1           |
| 4          | 532 41 55-46 | ARM                 |           | 1           |
| 5          | 532 42 90-98 | ARM                 |           | 1           |
| 6          | 532 41 26-77 | STANG               |           | 1           |
| 7          | 532 42 16-13 | AFSTANDRING         |           | 1           |
| 8          | 532 16 96-75 | PIN RETAINING SCREW |           | 1           |
| 9          | 817 06 04-10 | SCREW               |           | 1           |
| 10         | 532 41 42-80 | KNOP                |           | 1           |
| 11         | 532 41 42-81 | KNOP                |           | 1           |
| 12         | 532 17 88-99 | KNOP                |           | 1           |
| 13         | 819 13 13-16 | RING                |           | 1           |
| 14         | 872 12 06-18 | BOUT                |           | 1           |



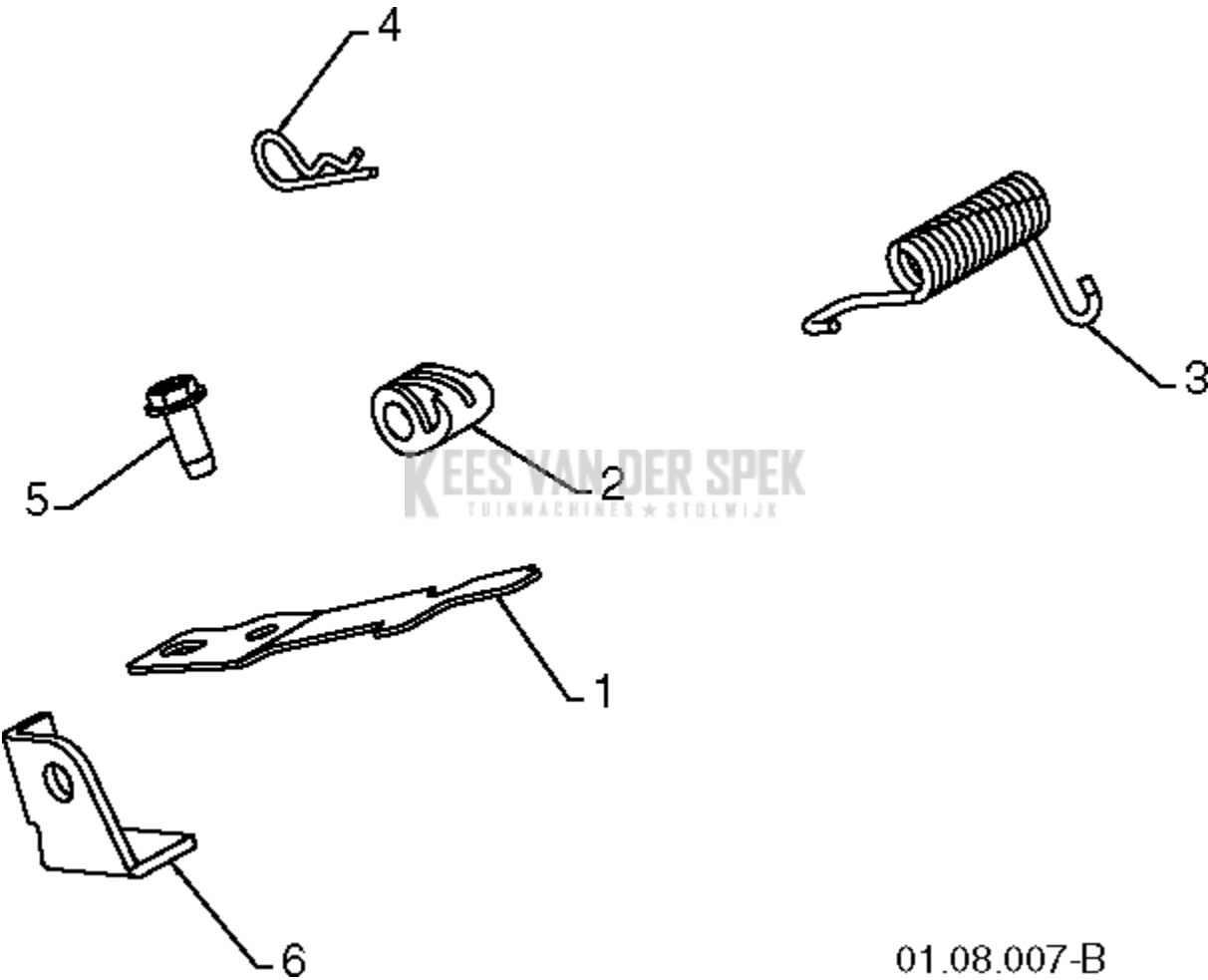


| Referentie | Onderdeel nr | Omschrijving             | Opmerking    | Aant KIT al |
|------------|--------------|--------------------------|--------------|-------------|
| 1          | 532 43 70-01 | BESCHERMEN               |              | 1           |
| 2          | 532 42 06-73 | BEDIENING                |              | 1           |
| 3          | 532 41 42-80 | KNOP                     |              | 1           |
| 4          | 817 50 10-10 | SCREW                    |              | 1           |
| *5         | 532 18 45-05 | VEER                     |              | 1           |
| *6         | 532 17 98-29 | BOUT                     |              | 1           |
| *7         | 532 19 17-30 | MOER                     |              | 1           |
| *8         | 872 25 05-05 | BOUT                     |              | 1           |
| *9         | 532 75 11-53 | LOCKNUT 5/16-18 RL550HVA |              | 1           |
| 10         | 532 42 06-79 | BESTURINGSEENHEID        | SERVICE PART | 1           |
| 11         | 532 42 06-72 | BEDIENINGS KABEL         | SERVICE PART | 1           |



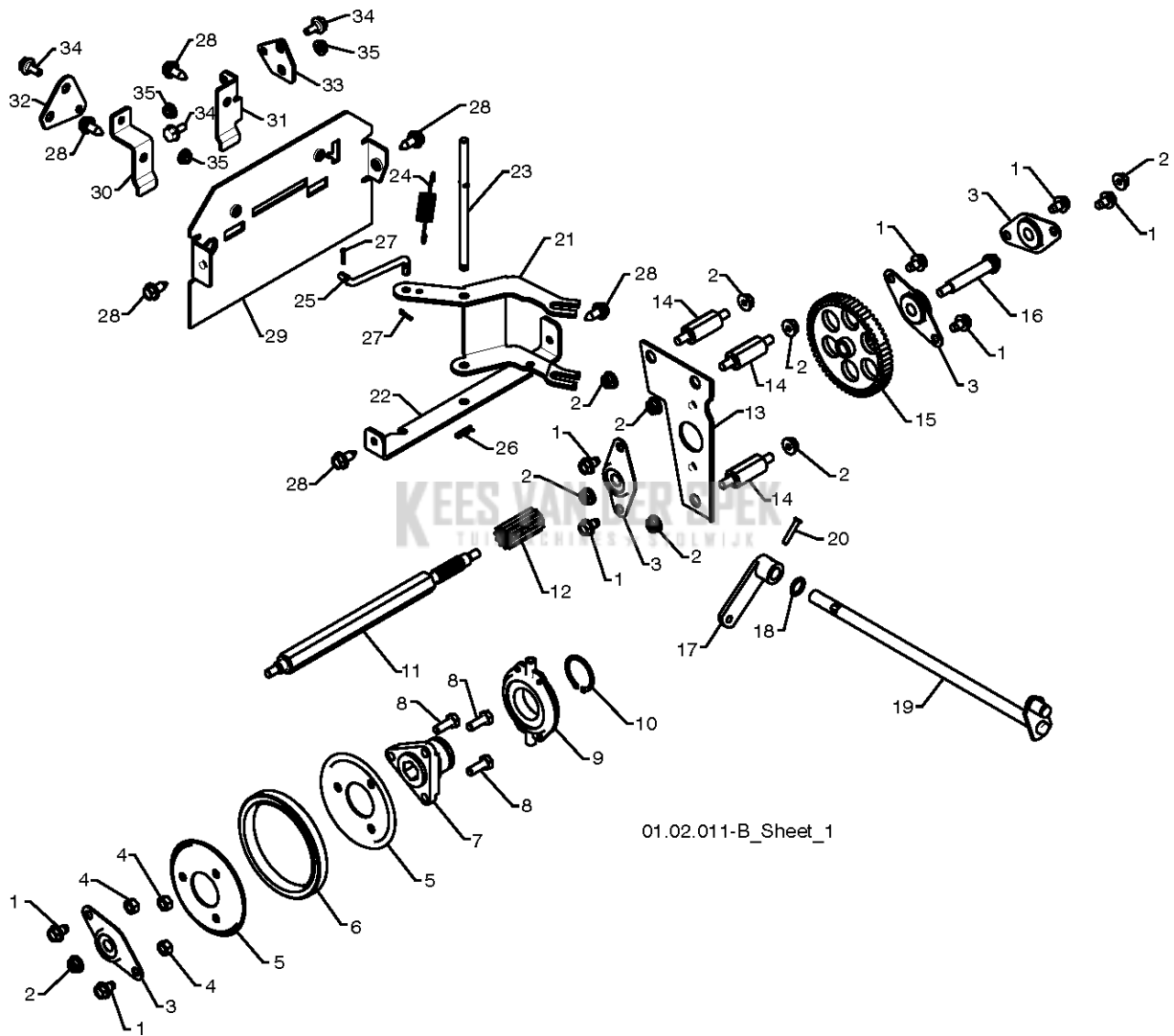
01.10.006-B

| Referentie | Onderdeel nr | Omschrijving           | Opmerking | Aant KIT al |
|------------|--------------|------------------------|-----------|-------------|
| 1          | 532 18 29-06 | TOETSENBORD            |           | 1           |
| 2          | 532 17 86-68 | FRAME                  |           | 1           |
| 3          | 532 17 86-66 | HEADLIGHT, HALOGEN     |           | 1           |
| 4          | 532 18 44-71 | SCREW                  |           | 1           |
| 5          | 532 17 52-62 | PAN HEAD TAPPING SCREW |           | 1           |
| 6          | 532 18 09-64 | DRAAGSTEL              |           | 1           |
| 7          | 532 40 16-20 | LAMP                   |           | 1           |



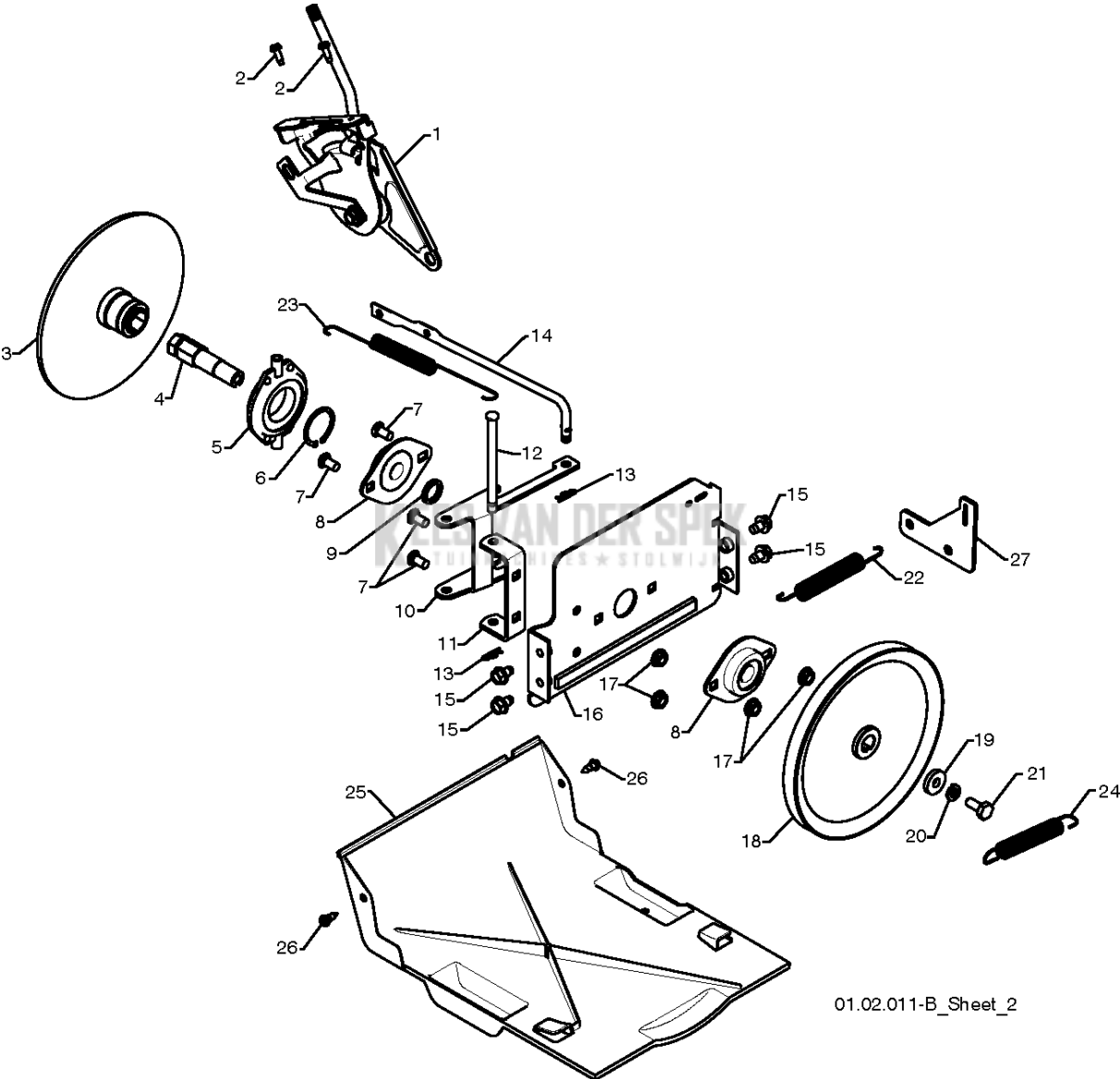
01.08.007-B

| Referentie | Onderdeel nr | Omschrijving        | Opmerking | Aant KIT al |
|------------|--------------|---------------------|-----------|-------------|
| 1          | 532 43 58-06 | VEER                |           | 1           |
| 2          | 532 41 45-72 | BEVESTIGING         |           | 1           |
| 3          | 532 17 88-31 | VEER                |           | 1           |
| 4          | 532 16 96-75 | PIN RETAINING SCREW |           | 1           |
| 5          | 817 06 04-10 | SCREW               |           | 1           |
| 6          | 532 43 58-05 | LOCKING STOP        |           | 1           |



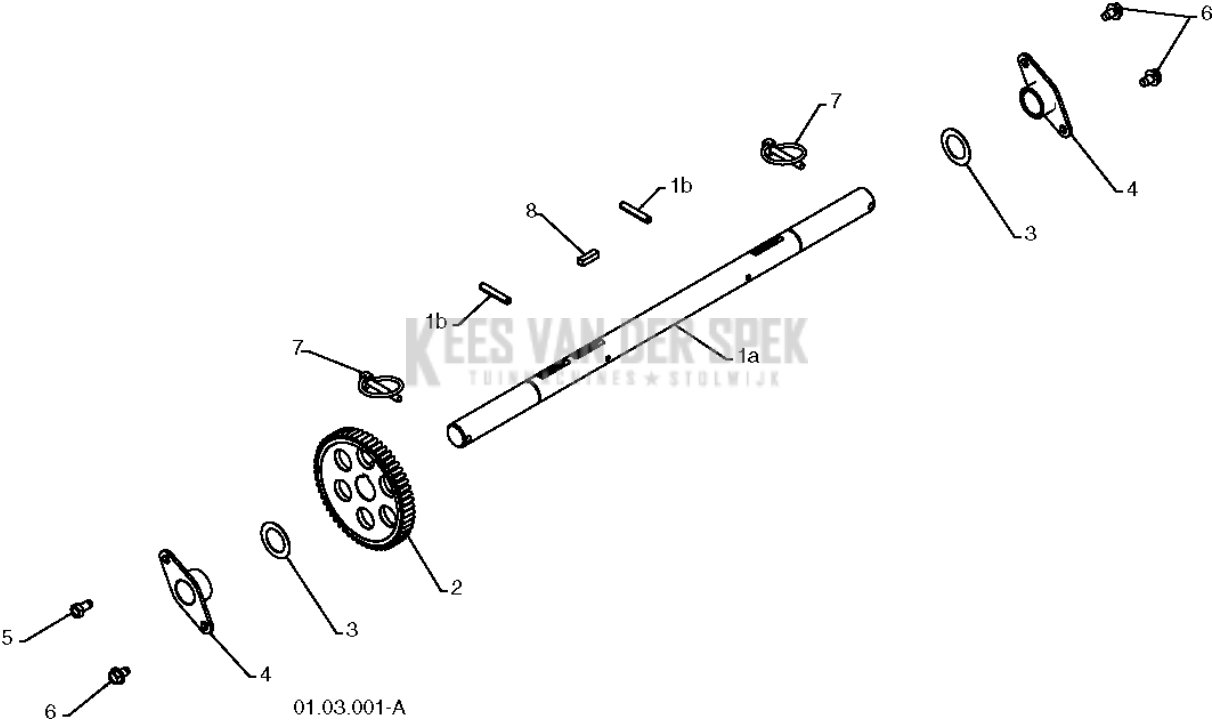
01.02.011-B\_Sheet\_1

| Referentie | Onderdeel nr | Omschrijving             | Opmerking | Aant KIT al |
|------------|--------------|--------------------------|-----------|-------------|
| 1          | 817 49 05-08 | SCREW                    |           | 1           |
| 2          | 532 75 11-53 | LOCKNUT 5/16-18 RL550HVA |           | 1           |
| 3          | 532 18 00-17 | LAGER                    |           | 1           |
| 4          | 873 93 05-00 | MOER                     |           | 1           |
| 5          | 532 43 57-89 | PLAAT                    |           | 1           |
| 6          | 532 17 98-31 | RING                     |           | 1           |
| 7          | 532 17 86-13 | NAAF                     |           | 1           |
| 8          | 874 76 05-14 | BOUT                     |           | 1           |
| 9          | 532 17 53-44 | LAGER                    |           | 1           |
| 10         | 812 00 00-12 | RETAINER RING            |           | 1           |
| 11         | 532 18 00-66 | AS                       |           | 1           |
| 12         | 532 18 00-65 | VERSNELLING              |           | 1           |
| 13         | 532 43 57-90 | PLAAT                    |           | 1           |
| 14         | 532 17 92-70 | AFSTANDRING              |           | 1           |
| 15         | 532 18 00-82 | VERSNELLING              |           | 1           |
| 16         | 532 18 01-34 | AS                       |           | 1           |
| 17         | 532 40 54-85 | ARM                      |           | 1           |
| 18         | 532 05 70-79 | RING                     |           | 1           |
| 19         | 532 42 75-42 | AS                       |           | 1           |
| 20         | 532 19 85-80 | PEN                      |           | 1           |
| 21         | 532 43 57-92 | HEFBOOM                  |           | 1           |
| 22         | 532 43 57-93 | BEVESTIGING              |           | 1           |
| 23         | 532 17 88-07 | PENNEN                   |           | 1           |
| 24         | 532 18 01-35 | VEER                     |           | 1           |
| 25         | 532 18 71-01 | SCHAKEL                  |           | 1           |
| 26         | 532 08 51-79 | KLEM                     |           | 1           |
| 27         | 532 70 02-79 | KLEM                     |           | 1           |
| 28         | 532 42 88-67 | BOUT                     |           | 1           |
| 29         | 532 41 67-50 | PLAAT                    |           | 1           |
| 30         | 532 43 57-97 | PLAAT                    |           | 1           |
| 31         | 532 43 57-96 | PLAAT                    |           | 1           |
| 32         | 532 43 58-00 | PLAAT                    |           | 1           |
| 33         | 532 43 57-99 | PLAAT                    |           | 1           |
| 34         | 532 40 28-81 | BOUT                     |           | 1           |
| 35         | 532 19 17-30 | MOER                     |           | 1           |

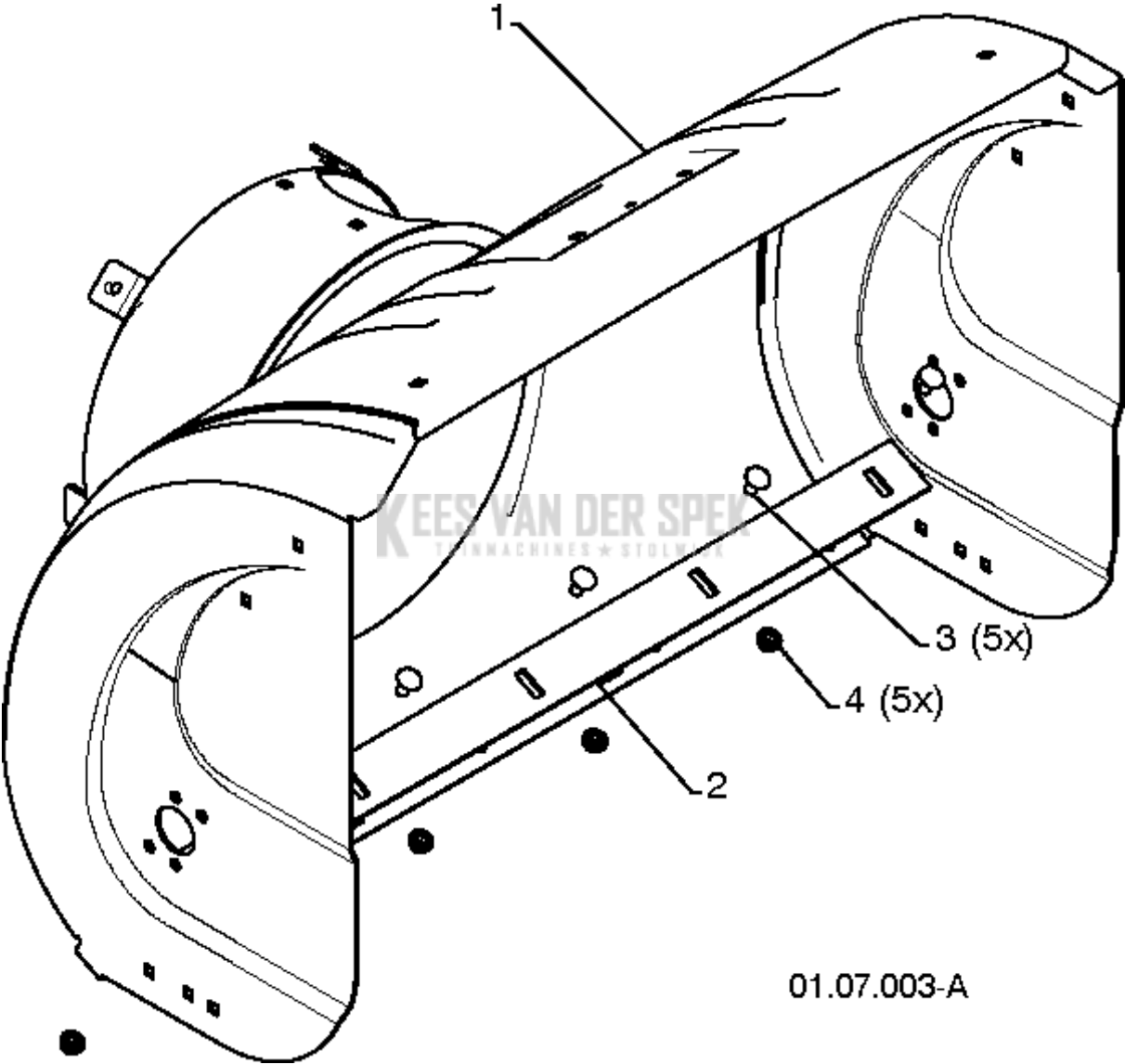




| Referentie | Onderdeel nr | Omschrijving  | Opmerking | Aant KIT al |
|------------|--------------|---------------|-----------|-------------|
| 1          | 532 19 88-75 | HEFBOOM       |           | 1           |
| 2          | 817 50 10-10 | SCREW         |           | 1           |
| 3          | 532 19 77-63 | PLAAT         |           | 1           |
| 4          | 532 19 77-64 | AS            |           | 1           |
| 5          | 532 17 53-44 | LAGER         |           | 1           |
| 6          | 812 00 00-12 | RETAINER RING |           | 1           |
| 7          | 872 27 05-05 | BOUT          |           | 1           |
| 8          | 532 18 89-09 | LAGER         |           | 1           |
| 9          | 532 18 25-04 | AFSTANDRING   |           | 1           |
| 10         | 532 43 57-87 | HEFBOOM       |           | 1           |
| 11         | 532 43 57-84 | BEVESTIGING   |           | 1           |
| 12         | 532 17 86-95 | PENNEN        |           | 1           |
| 13         | 532 08 51-79 | KLEM          |           | 1           |
| 14         | 532 40 33-00 | STANG         |           | 1           |
| 15         | 817 49 05-08 | SCREW         |           | 1           |
| 16         | 532 43 57-83 | PLAAT         |           | 1           |
| 17         | 532 15 53-77 | MOER          |           | 1           |
| 18         | 532 19 10-80 | POELIE        |           | 1           |
| 19         | 819 11 15-07 | RING          |           | 1           |
| 20         | 810 04 05-00 | RING          |           | 1           |
| 21         | 874 95 05-12 | SCREW         |           | 1           |
| 22         | 532 41 45-57 | VEER          |           | 1           |
| 23         | 532 17 90-95 | VEER          |           | 1           |
| 24         | 532 17 88-28 | VEER          |           | 1           |
| 25         | 532 41 08-77 | PLAAT         |           | 1           |
| 26         | 532 18 44-71 | SCREW         |           | 1           |
| 27         | 532 43 57-72 | VEER          |           | 1           |

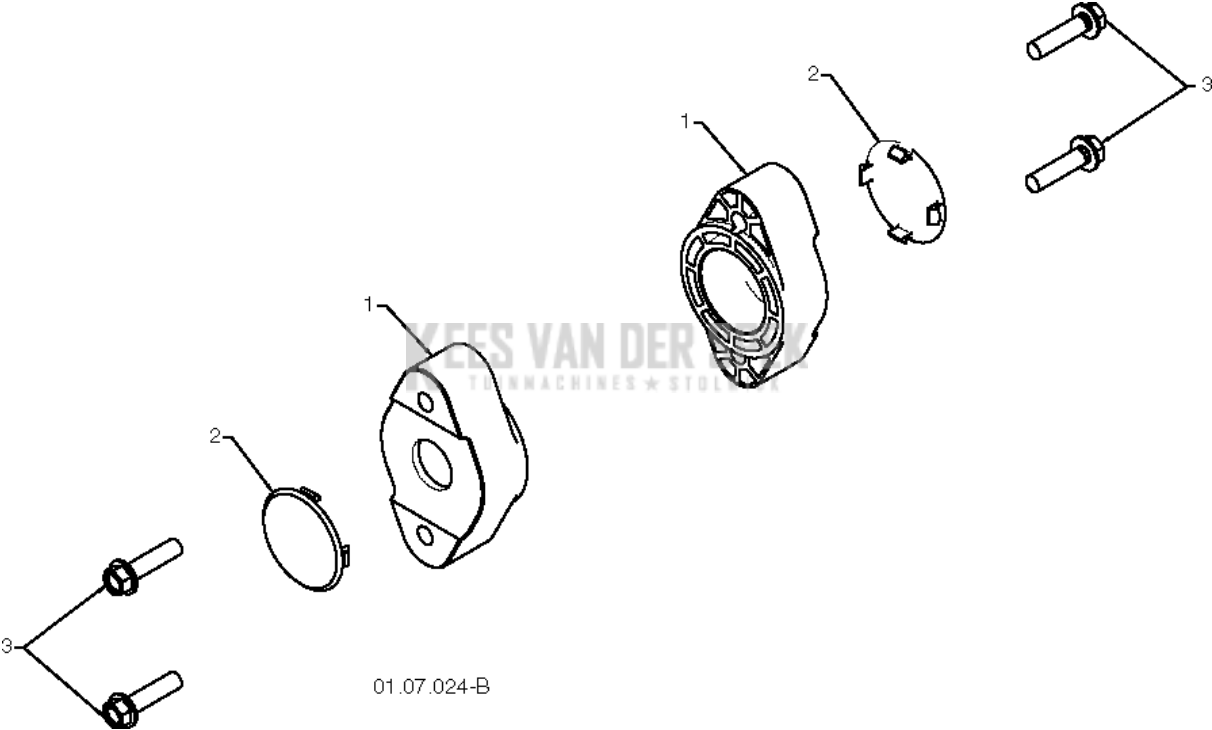


| Referentie | Onderdeel nr | Omschrijving | Opmerking       | Aant KIT al |
|------------|--------------|--------------|-----------------|-------------|
| 1          | 532 40 49-23 | AS           | ASSY OF 1A & AB | 1           |
| 1a         | 532 40 43-07 | AS           |                 | 1           |
| 1b         | 532 18 42-06 | PEN          |                 | 1           |
| 2          | 532 18 00-81 | VERSNELLING  |                 | 1           |
| 3          | 532 17 46-97 | RING         |                 | 1           |
| 4          | 532 17 98-30 | LAGER        |                 | 1           |
| 5          | 532 14 63-15 | SCREW        |                 | 1           |
| 6          | 817 49 05-08 | SCREW        |                 | 1           |
| 7          | 532 15 54-43 | PENNEN       |                 | 1           |
| 8          | 532 18 92-82 | SLEUTEL      |                 | 1           |



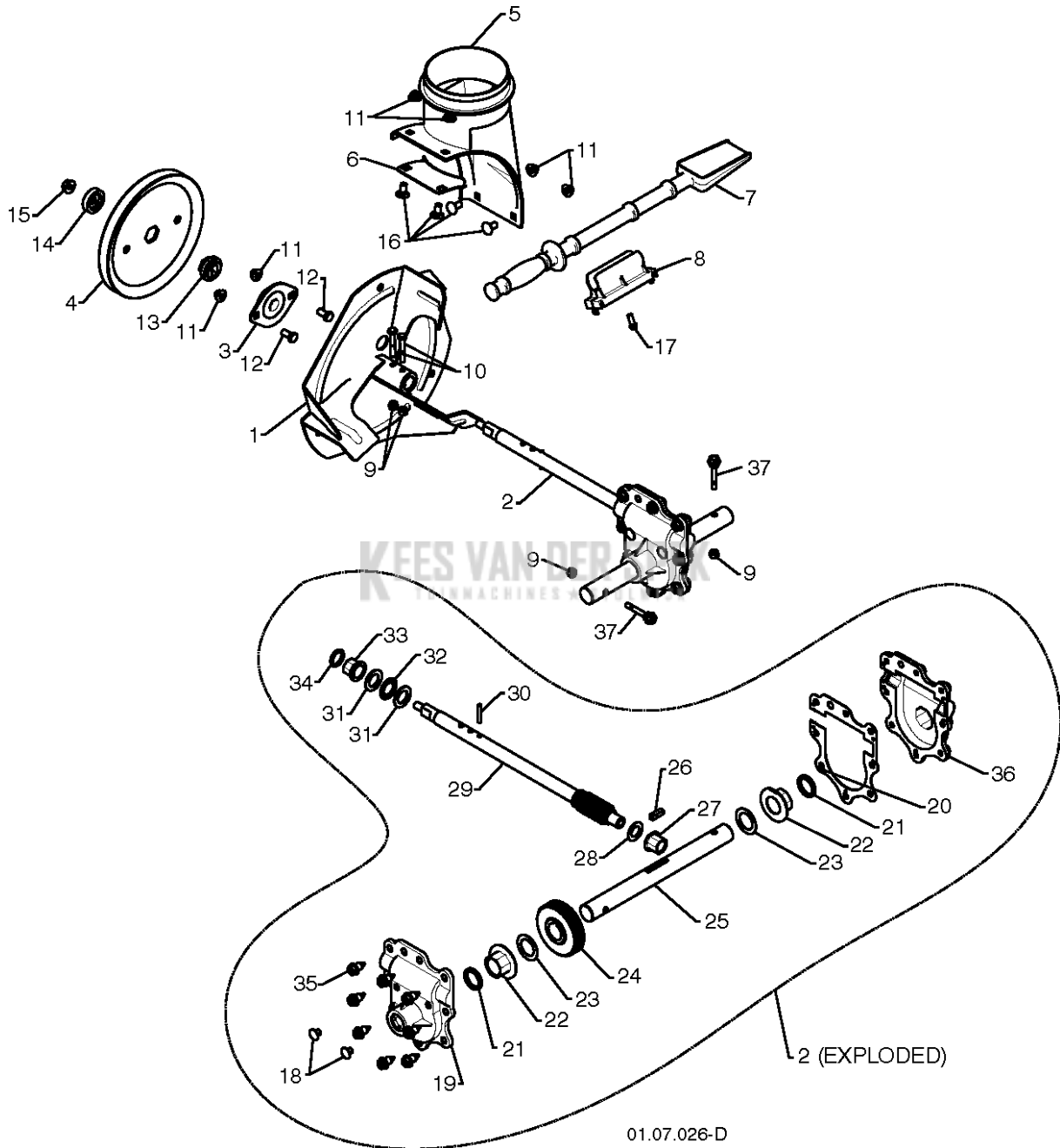
01.07.003-A

| Referentie | Onderdeel nr | Omschrijving | Opmerking | Aant KIT al |
|------------|--------------|--------------|-----------|-------------|
| 1          | 532 41 52-91 | HUIS         |           | 1           |
| 2          | 532 43 58-30 | ZAAGBLAD     |           | 1           |
| 3          | 872 27 05-05 | BOUT         |           | 1           |
| 4          | 532 15 53-77 | MOER         |           | 1           |



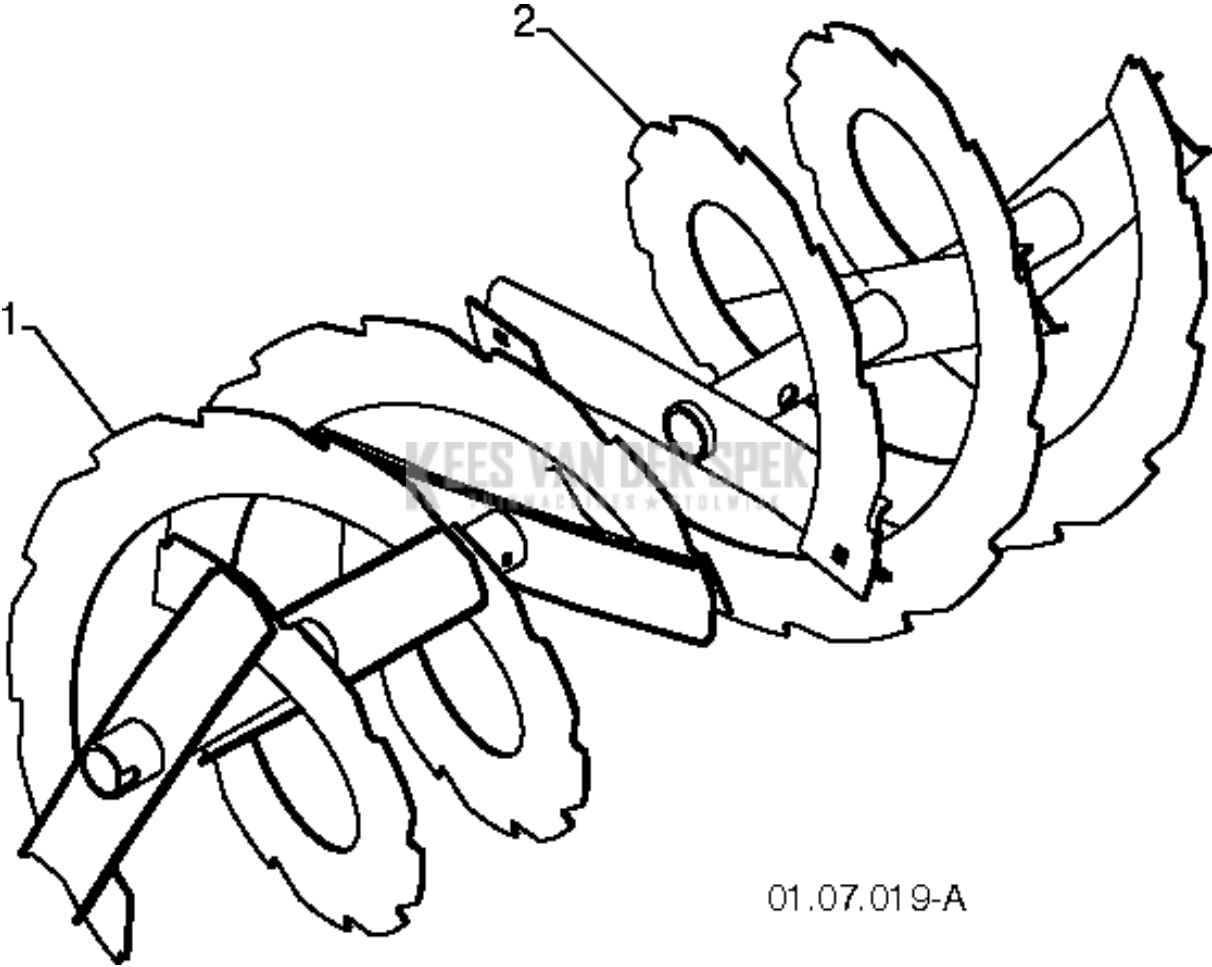
01.07.024-B

| Referentie | Onderdeel nr | Omschrijving | Opmerking | Aant KIT<br>al |
|------------|--------------|--------------|-----------|----------------|
| 1          | 532 42 04-78 | LAGER        |           | 1              |
| 2          | 532 41 19-39 | PLUG         |           | 1              |
| 3          | 532 17 95-82 | SCREW        |           | 1              |



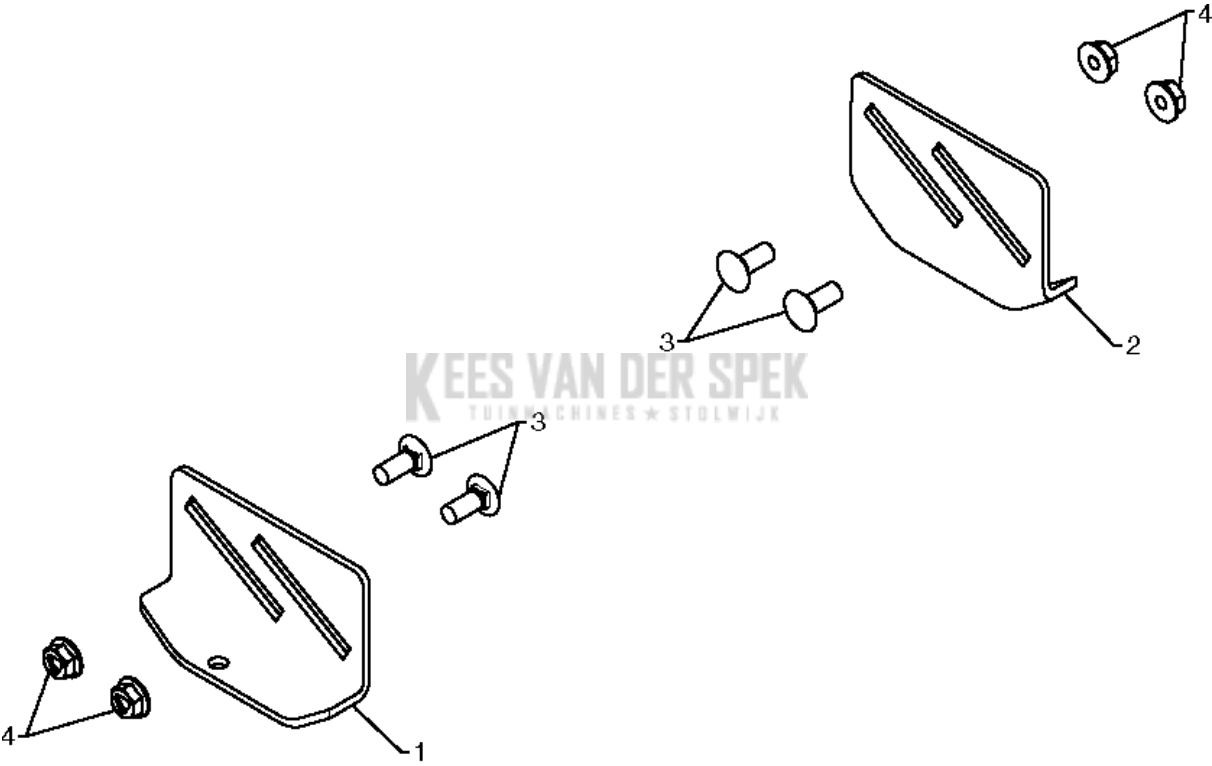


| Referentie | Onderdeel nr | Omschrijving     | Opmerking | Aant KIT al |
|------------|--------------|------------------|-----------|-------------|
| 1          | 532 43 57-75 | WAAIER           |           | 1           |
| 2          | 532 42 71-48 | GEARBOX ASSEMBLY |           | 1           |
| 3          | 532 18 89-09 | LAGER            |           | 1           |
| 4          | 532 42 71-46 | POELIE           |           | 1           |
| 5          | 532 17 53-22 | GRASVERSPREIDER  |           | 1           |
| 6          | 532 43 62-36 | BEVESTIGING      |           | 1           |
| 7          | 532 19 21-99 | TOOL.CLEAN.OUT   |           | 1           |
| 8          | 532 40 54-00 | KLEM             |           | 1           |
| 9          | 873 80 04-00 | MOER             |           | 1           |
| 10         | 874 78 04-26 | SCREW            |           | 1           |
| 11         | 532 42 79-42 | MOER             |           | 1           |
| 12         | 532 16 31-83 | BOUT             |           | 1           |
| 13         | 532 42 71-45 | NAAF             |           | 1           |
| 14         | 532 42 71-54 | HULS             |           | 1           |
| 15         | 873 90 06-00 | MOER             |           | 1           |
| 16         | 532 18 03-55 | BOUT             |           | 1           |
| 17         | 532 19 41-89 | SCREW            |           | 1           |
| 18         | 532 40 77-60 | PLUG             |           | 1           |
| 19         | 532 42 73-02 | DEKSEL           |           | 1           |
| 20         | 532 42 73-45 | PAKKING          |           | 1           |
| 21         | 532 40 77-70 | AFDICHTING       |           | 1           |
| 22         | 532 40 77-62 | BUSHING          |           | 1           |
| 23         | 532 17 46-97 | RING             |           | 1           |
| 24         | 532 40 77-63 | VERSNELLING      |           | 1           |
| 25         | 532 40 77-64 | AS               |           | 1           |
| 26         | 532 18 92-82 | SLEUTEL          |           | 1           |
| 27         | 532 40 77-58 | BUSHING          |           | 1           |
| 28         | 532 17 46-83 | RING             |           | 1           |
| 29         | 532 42 71-47 | AS               |           | 1           |
| 30         | 532 18 42-05 | PEN              |           | 1           |
| 31         | 532 17 46-81 | RING             |           | 1           |
| 32         | 532 17 46-84 | LAGER            |           | 1           |
| 33         | 532 40 77-69 | BUSHING          |           | 1           |
| 34         | 532 40 77-68 | O-RING           |           | 1           |
| 35         | 532 40 77-67 | SCREW            |           | 1           |
| 36         | 532 42 73-17 | DEKSEL           |           | 1           |
| 37         | 532 19 20-90 | BOUT             |           | 1           |



01.07.019-A

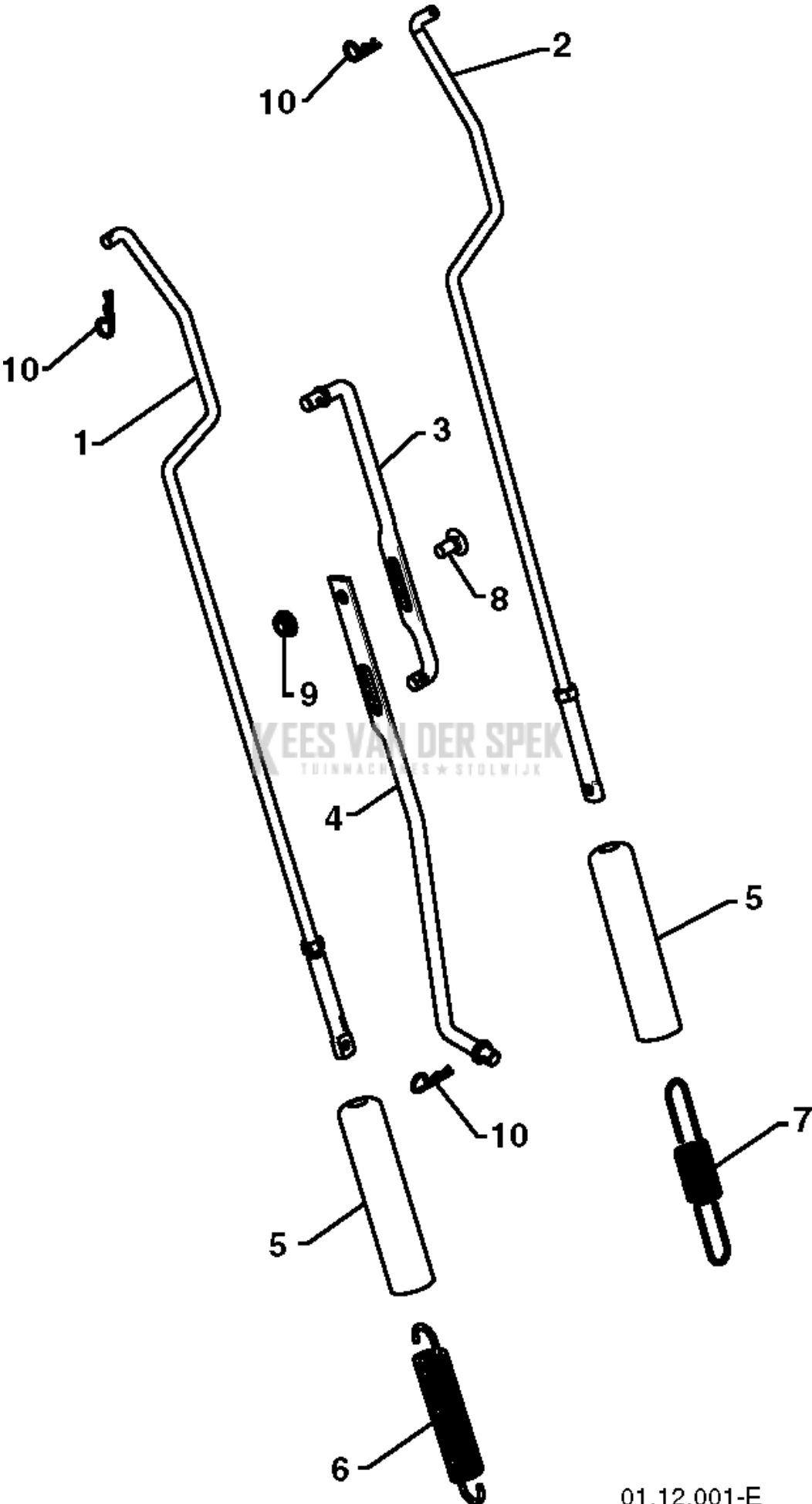
| Referentie | Onderdeel nr | Omschrijving  | Opmerking | Aant KIT<br>al |
|------------|--------------|---------------|-----------|----------------|
| 1          | 532 43 58-59 | INVOERSCHROEF |           | 1              |
| 2          | 532 43 58-60 | INVOERSCHROEF |           | 1              |



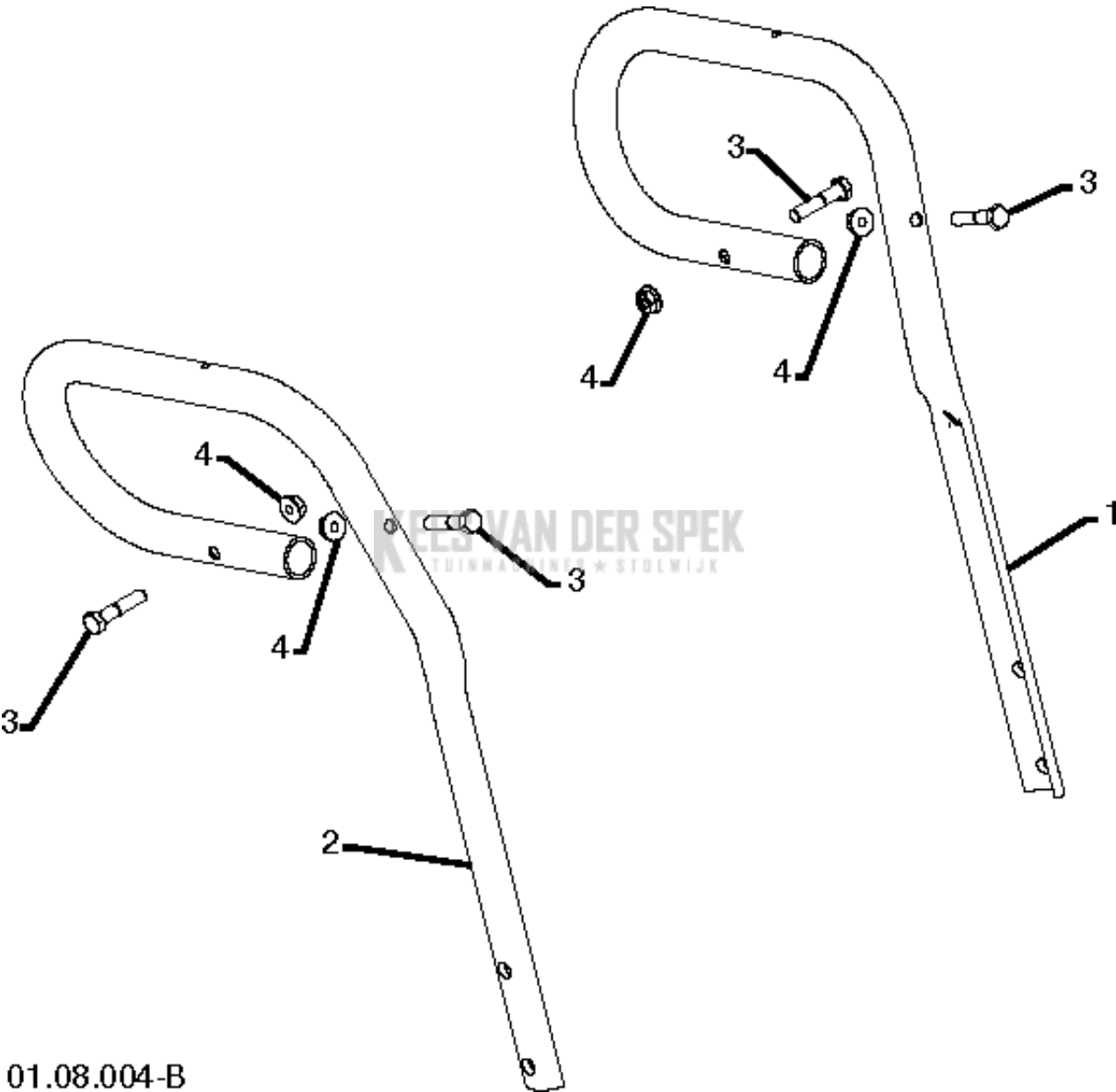
01.11.001-B

Kees van der Spek  
TUINMACHINES \* STOLWIJK

| Referentie | Onderdeel nr | Omschrijving             | Opmerking | Aant KIT al |
|------------|--------------|--------------------------|-----------|-------------|
| 1          | 532 43 61-22 | GLIJ PLAAT               |           | 1           |
| 2          | 532 43 61-25 | GLIJ PLAAT               |           | 1           |
| 3          | 872 27 05-06 | BOUT                     |           | 1           |
| 4          | 532 75 11-53 | LOCKNUT 5/16-18 RL550HVA |           | 1           |



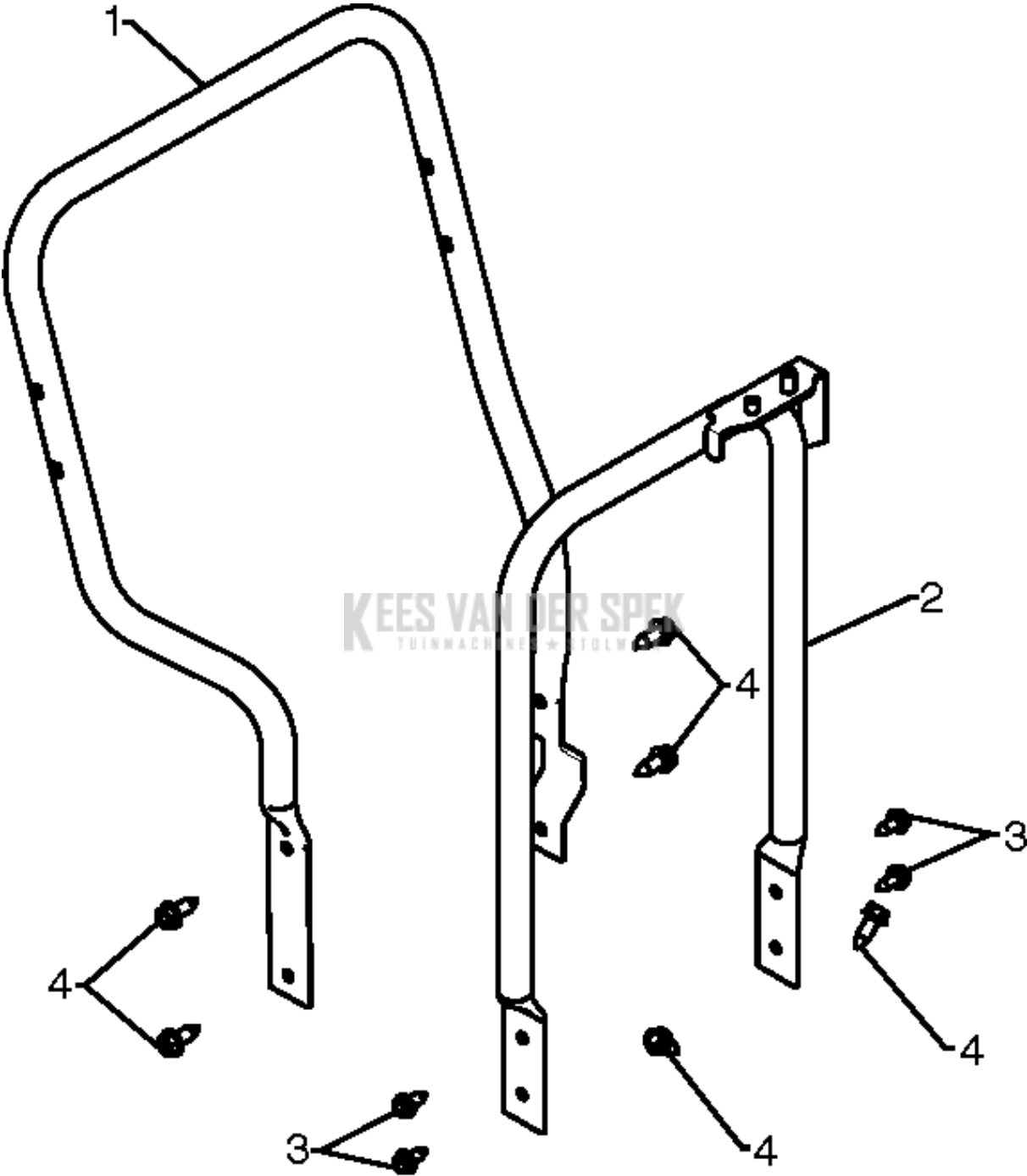
| Referentie | Onderdeel nr | Omschrijving        | Opmerking | Aant KIT al |
|------------|--------------|---------------------|-----------|-------------|
| 1          | 532 18 04-80 | STANG               |           | 1           |
| 2          | 532 40 57-40 | STANG               |           | 1           |
| 3          | 532 18 04-45 | HEFBOOM             |           | 1           |
| 4          | 532 18 77-16 | STANG               |           | 1           |
| 5          | 532 18 04-47 | SLEEVE, SPRING      |           | 1           |
| 6          | 532 17 86-69 | VEER                |           | 1           |
| 7          | 532 18 09-26 | VEER                |           | 1           |
| 8          | 872 27 05-05 | BOUT                |           | 1           |
| 9          | 532 15 53-77 | MOER                |           | 1           |
| 10         | 532 16 96-75 | PIN RETAINING SCREW |           | 1           |



01.08.004-B

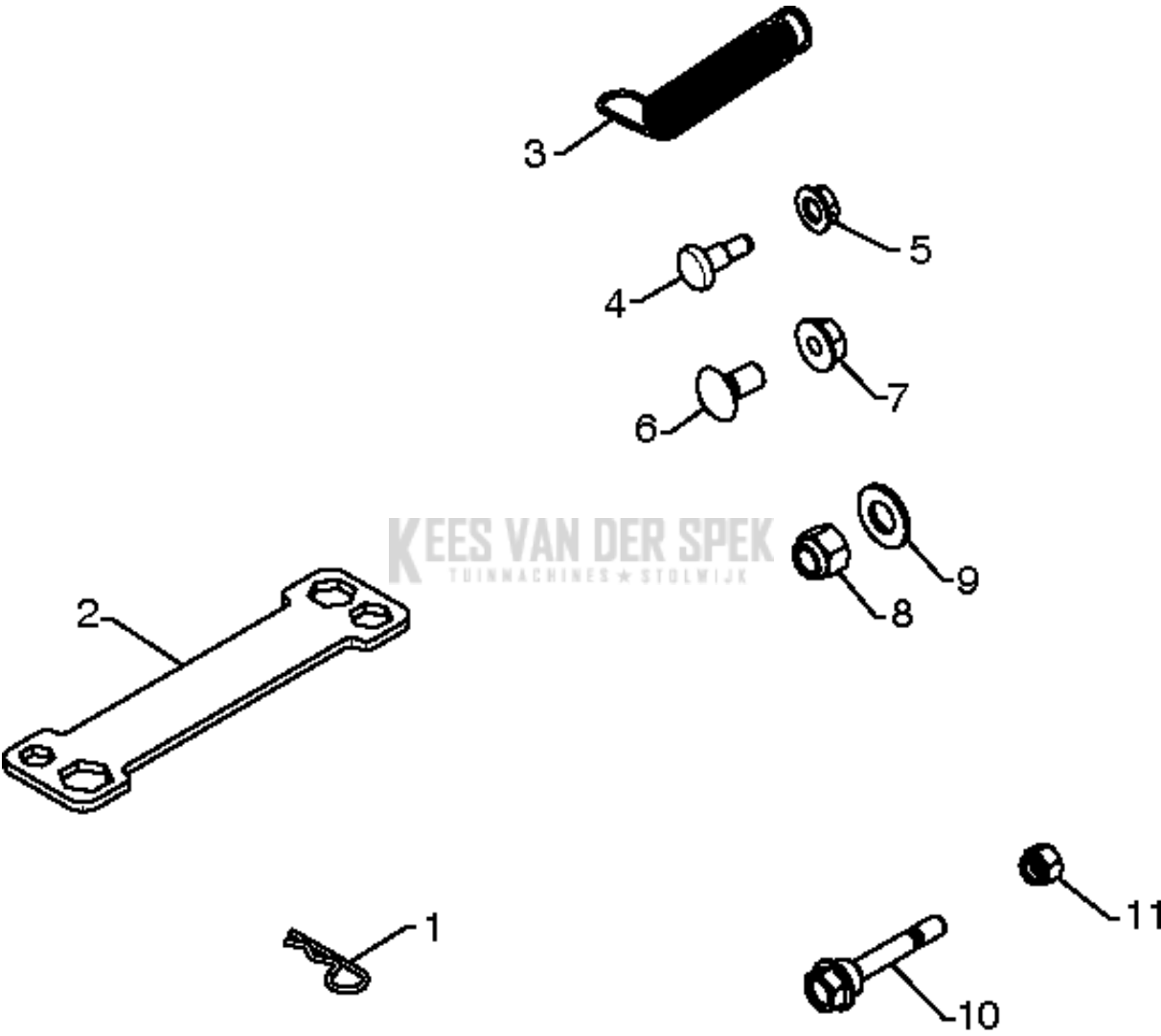


| Referentie | Onderdeel nr | Omschrijving             | Opmerking | Aant KIT al |
|------------|--------------|--------------------------|-----------|-------------|
| 1          | 532 43 58-06 | VEER                     |           | 1           |
| 2          | 532 43 61-15 | HANDGREEPPIJP            |           | 1           |
| 3          | 874 78 05-24 | BOUT                     |           | 1           |
| 4          | 532 75 11-53 | LOCKNUT 5/16-18 RL550HVA |           | 1           |



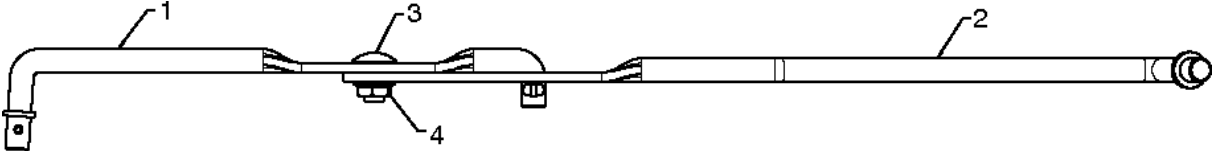
01.05.001-C

| Referentie | Onderdeel nr | Omschrijving | Opmerking | Aant KIT<br>al |
|------------|--------------|--------------|-----------|----------------|
| 1          | 532 43 70-82 | PIJP         |           | 1              |
| 2          | 532 43 58-03 | STEUN        |           | 1              |
| 3          | 532 42 88-67 | BOUT         |           | 1              |
| 4          | 817 00 06-16 | SCREW        |           | 1              |

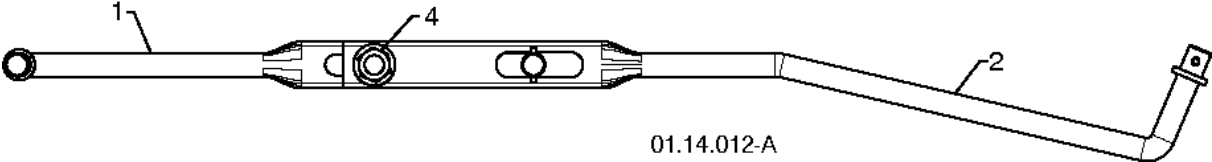


01.14.005-C

| Referentie | Onderdeel nr | Omschrijving             | Opmerking | Aant KIT al |
|------------|--------------|--------------------------|-----------|-------------|
| 1          | 532 16 96-75 | PIN RETAINING SCREW      |           | 1           |
| 2          | 532 18 06-84 | WRENCH, SNOWTHROWER      |           | 1           |
| 3          | 532 18 45-05 | VEER                     |           | 1           |
| 4          | 532 17 98-29 | BOUT                     |           | 1           |
| 5          | 532 19 17-30 | MOER                     |           | 1           |
| 6          | 872 25 05-05 | BOUT                     |           | 1           |
| 7          | 532 75 11-53 | LOCKNUT 5/16-18 RL550HVA |           | 1           |
| 8          | 873 80 06-00 | MOER                     |           | 1           |
| 9          | 819 13 13-16 | RING                     |           | 1           |
| 10         | 532 19 20-90 | BOUT                     |           | 1           |
| 11         | 873 80 04-00 | MOER                     |           | 1           |



**KEES VAN DER SPEK**  
TUINMACHINES \* STOLWIJK



01.14.012-A

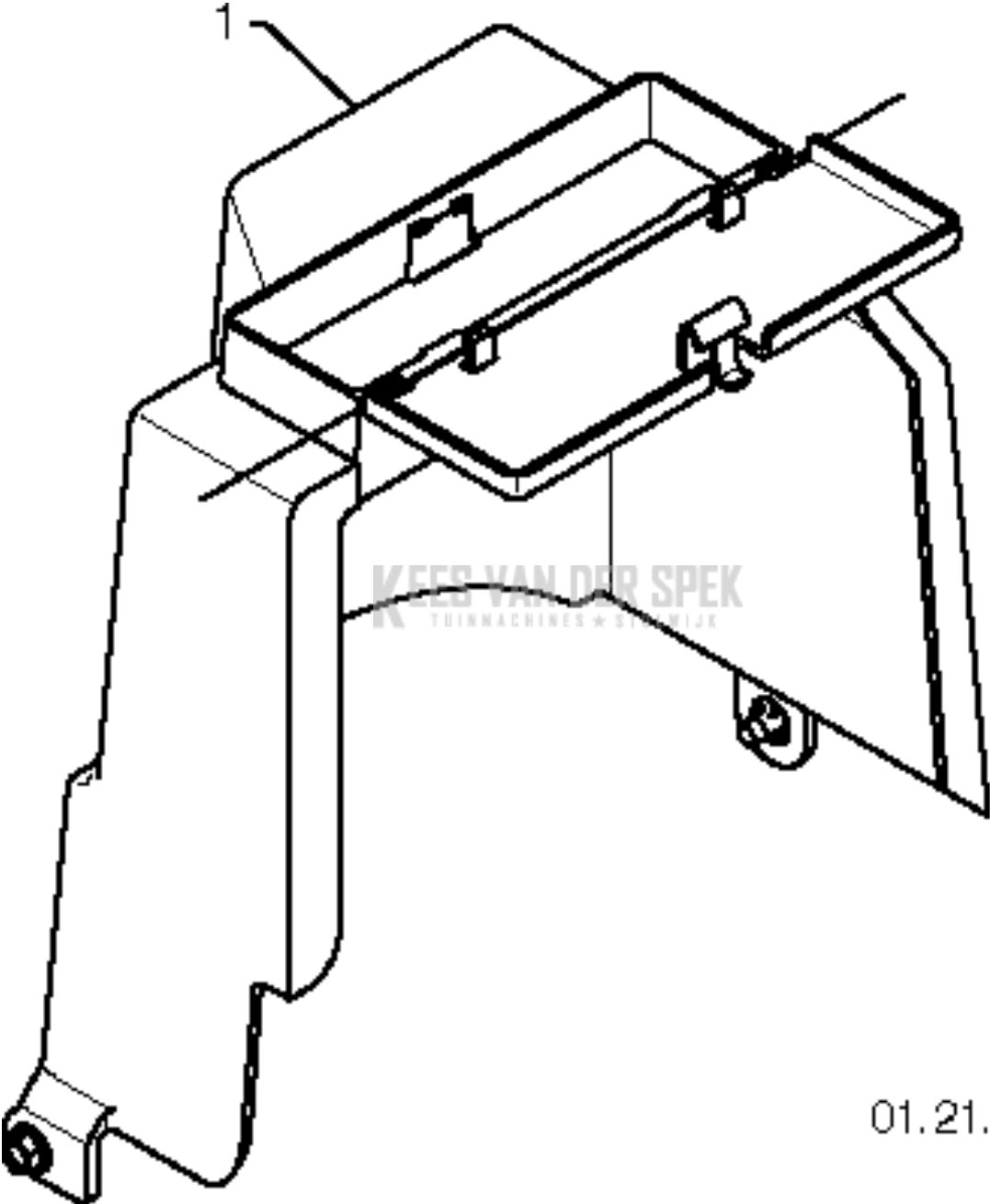
| Referentie | Onderdeel nr | Omschrijving | Opmerking | Aant KIT al |
|------------|--------------|--------------|-----------|-------------|
| 1          | 532 18 04-45 | HEFBOOM      |           | 1           |
| 2          | 532 18 77-16 | STANG        |           | 1           |
| 3          | 872 27 05-05 | BOUT         |           | 1           |
| 4          | 532 15 53-77 | MOER         |           | 1           |



01.14.007-A



| Referentie | Onderdeel nr | Omschrijving | Opmerking | Aant KIT<br>al |
|------------|--------------|--------------|-----------|----------------|
| 1          | 532 19 30-71 | SLEUTEL      |           | 1              |



KEES VAN DER SPEK  
TUINMACHINES \* STREEKLIJK

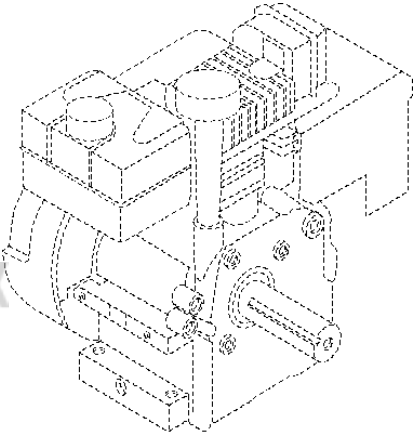
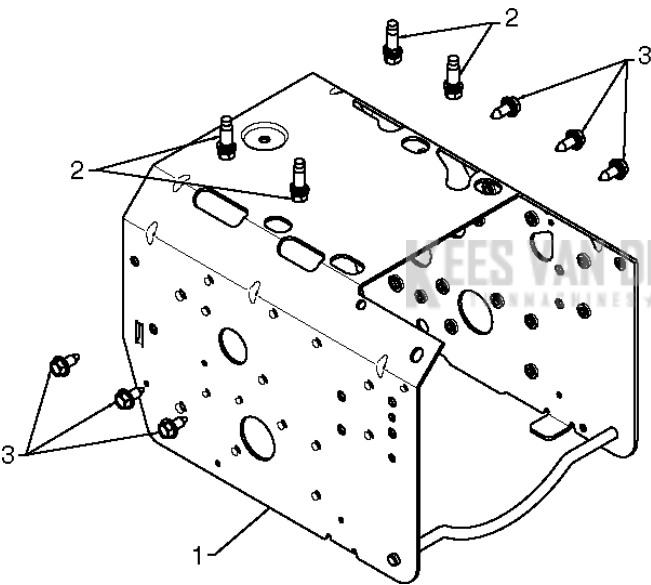
01.21.013-B

MOTOR

PM105, 96191004300, 2010-07

| Referentie | Onderdeel nr | Omschrijving | Opmerking | Aant KIT<br>al |
|------------|--------------|--------------|-----------|----------------|
| 1          | 532 42 86-84 | DEKSEL       |           | 1              |

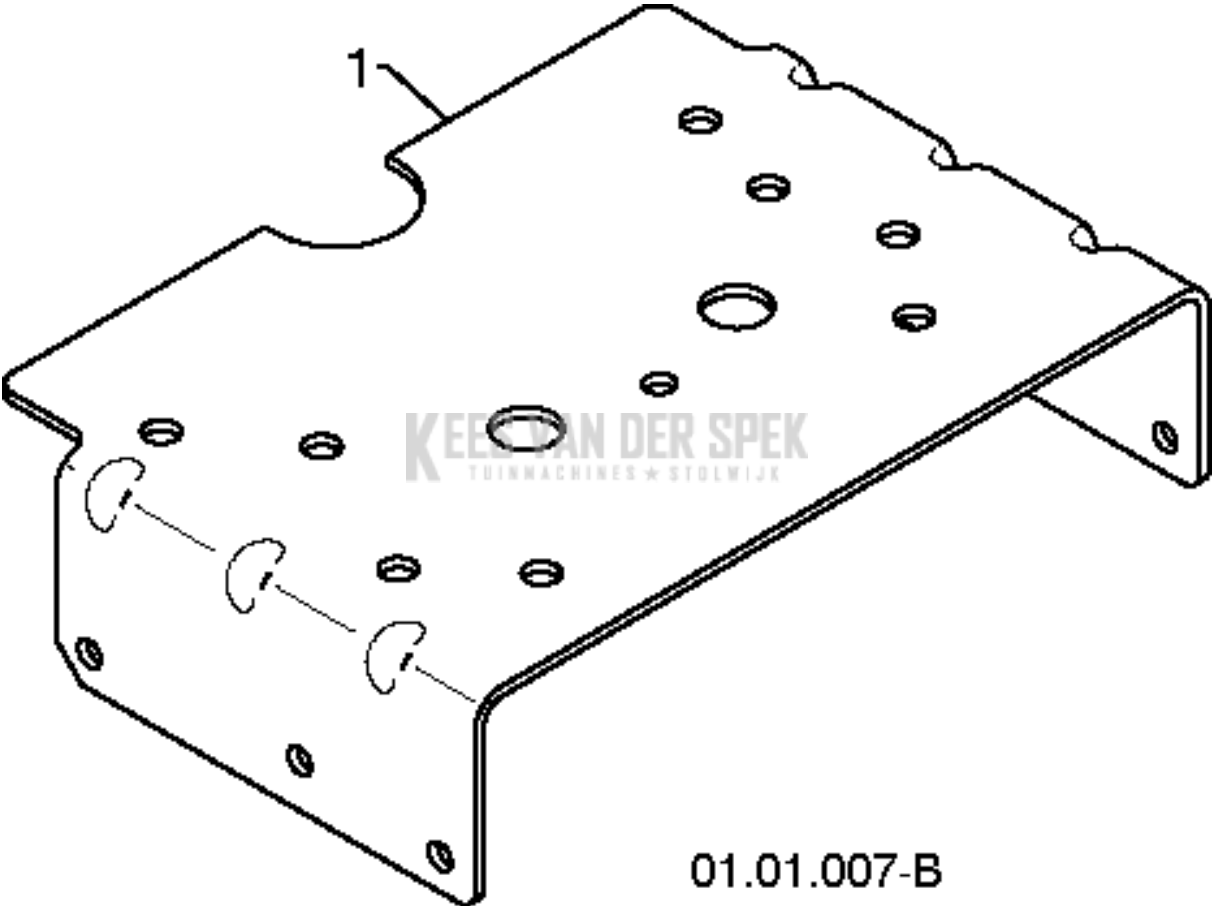
**KEES VAN DER SPEK**  
TUINMACHINES ★ STOLWIJK



## MOTOR

PM105, 96191004300, 2010-07

| Referentie | Onderdeel nr | Omschrijving | Opmerking | Aant KIT<br>al |
|------------|--------------|--------------|-----------|----------------|
| 1          | 532 42 92-80 | FRAME        |           | 1              |
| 2          | 532 15 04-06 | BOUT         |           | 1              |
| 3          | 532 42 88-67 | BOUT         |           | 1              |



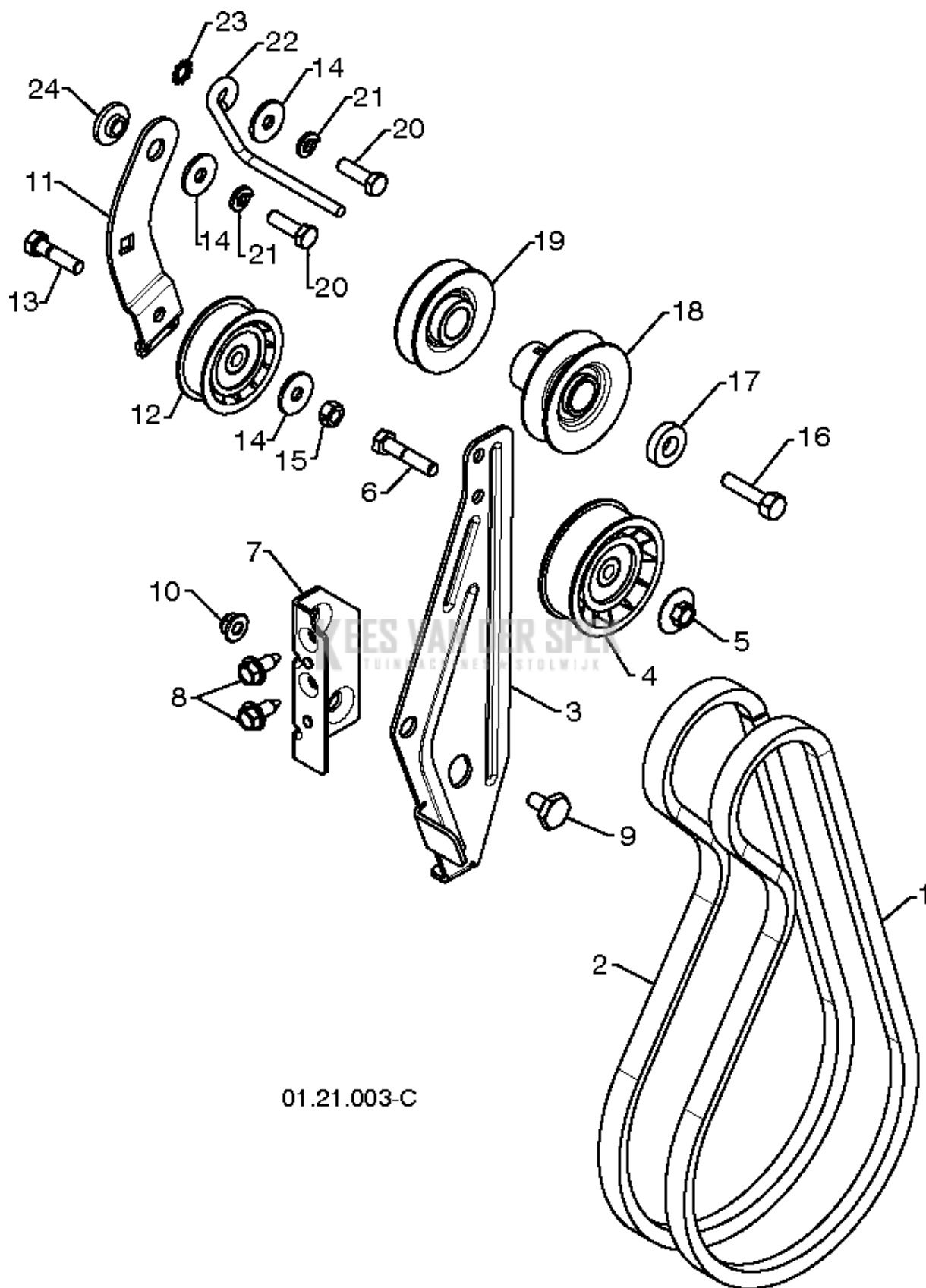
01.01.007-B

MOTOR

PM105, 96191004300, 2010-07

| Referentie | Onderdeel nr | Omschrijving | Opmerking | Aant KIT<br>al |
|------------|--------------|--------------|-----------|----------------|
| 1          | 532 43 63-10 | MOTORSTEUN   |           | 1              |

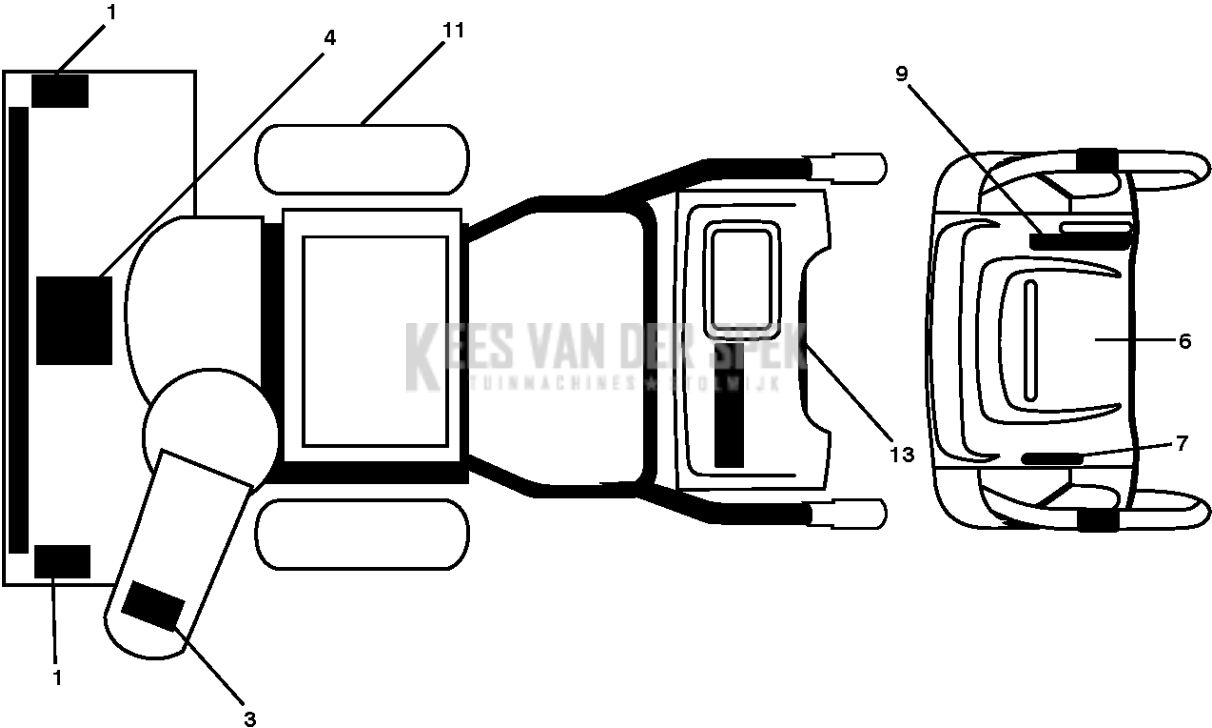
**KEES VAN DER SPEK**  
TUINMACHINES ★ STOLWIJK



01.21.003-C



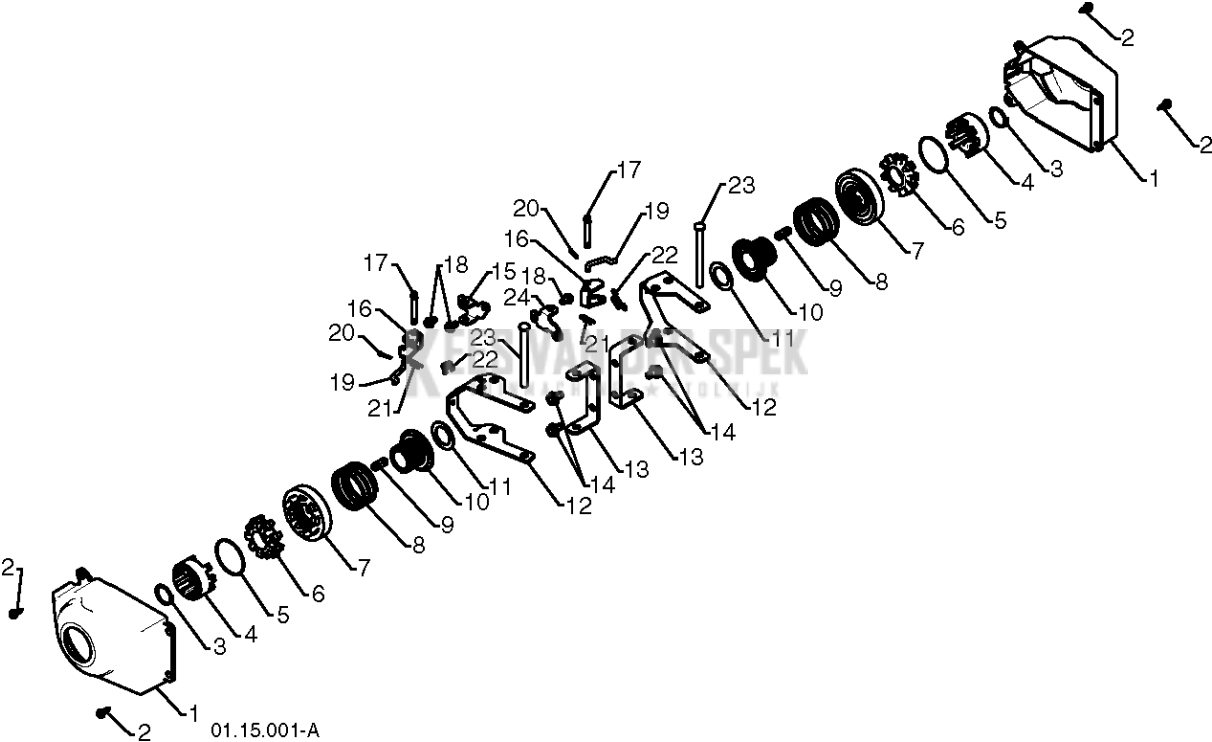
| Referentie | Onderdeel nr | Omschrijving             | Opmerking | Aant KIT al |
|------------|--------------|--------------------------|-----------|-------------|
| 1          | 532 40 80-07 | RIEM                     |           | 1           |
| 2          | 532 41 97-44 | RIEM                     |           | 1           |
| 3          | 532 43 58-02 | ARM                      |           | 1           |
| 4          | 532 18 05-23 | POELIE                   |           | 1           |
| 5          | 532 42 65-89 | MOER                     |           | 1           |
| 6          | 874 78 05-24 | BOUW                     |           | 1           |
| 7          | 532 43 58-01 | BEVESTIGING              |           | 1           |
| 8          | 532 42 88-67 | BOUW                     |           | 1           |
| 9          | 532 42 42-97 | BOUW                     |           | 1           |
| 10         | 532 75 11-53 | LOCKNUT 5/16-18 RL550HVA |           | 1           |
| 11         | 532 18 77-86 | ARM, IDLER               |           | 1           |
| 12         | 532 18 05-22 | POELIE                   |           | 1           |
| 13         | 874 78 05-20 | BOUW                     |           | 1           |
| 14         | 532 05 92-89 | RING                     |           | 1           |
| 15         | 873 80 05-00 | LOCK NUT                 |           | 1           |
| 16         | 532 85 10-84 | SCREW                    |           | 1           |
| 17         | 532 40 00-26 | RING                     |           | 1           |
| 18         | 532 42 64-91 | POELIE                   |           | 1           |
| 19         | 532 42 64-90 | POELIE                   |           | 1           |
| 20         | 874 61 05-16 | SCREW                    |           | 1           |
| 21         | 810 04 05-00 | RING                     |           | 1           |
| 22         | 532 15 54-52 | GUIDE, BELT              |           | 1           |
| 23         | 811 05 05-00 | RING                     |           | 1           |
| 24         | 532 17 53-31 | BUSHING                  |           | 1           |



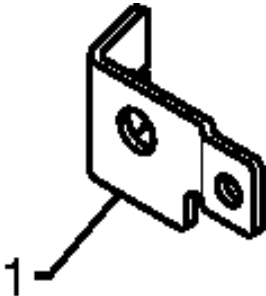
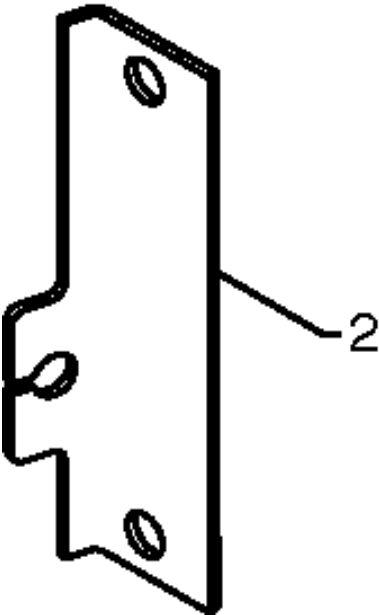
## STICKERS

PM105, 96191004300, 2010-07

| Referentie | Onderdeel nr | Omschrijving | Opmerking | Aant KIT al |
|------------|--------------|--------------|-----------|-------------|
| 1          | 532 19 96-83 | PLAATJE      |           | 1           |
| 3          | 532 19 96-82 | PLAATJE      |           | 1           |
| 4          | 532 18 40-45 | STICKER      |           | 1           |
| 6          | 532 18 40-30 | STICKER      |           | 1           |
| 7          | 532 42 95-90 | STICKER      |           | 1           |
| 9          | 532 42 95-91 | STICKER      |           | 1           |
| 11         | 532 18 40-28 | STICKER      |           | 1           |
| 13         | 532 18 04-33 | STICKER      |           | 1           |



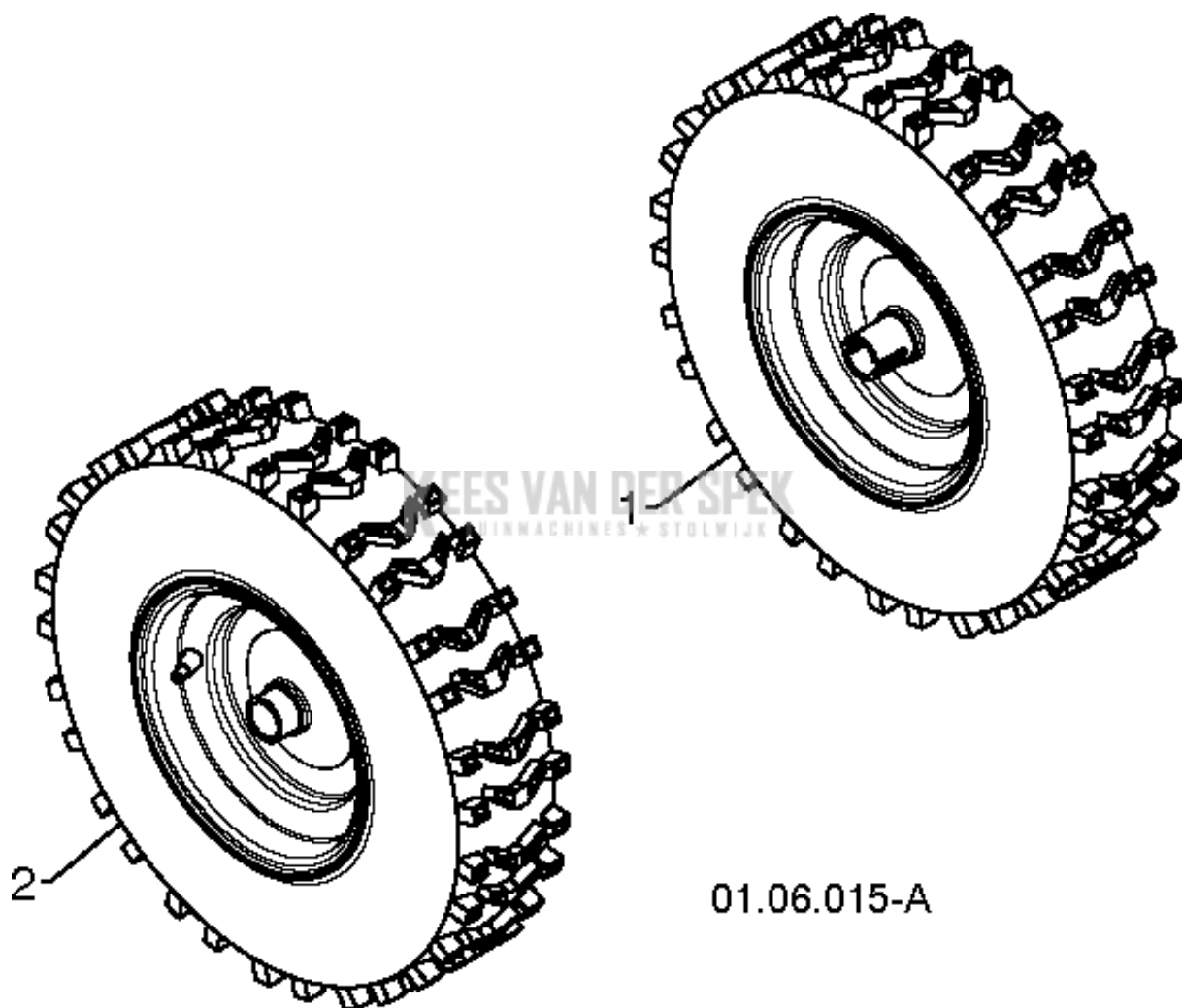
| Referentie | Onderdeel nr | Omschrijving   | Opmerking | Aant KIT al |
|------------|--------------|----------------|-----------|-------------|
| 1          | 532 40 51-61 | DEKSEL         |           | 1           |
| 2          | 532 18 44-71 | SCREW          |           | 1           |
| 3          | 812 00 00-45 | RETAINING RING |           | 1           |
| 4          | 532 19 21-26 | RONDSEL        |           | 1           |
| 5          | 532 18 24-66 | RING           |           | 1           |
| 6          | 532 18 76-22 | LOBE.WHEEL     |           | 1           |
| 7          | 532 19 49-41 | KOPPELING      |           | 1           |
| 8          | 532 17 91-39 | VEER           |           | 1           |
| 9          | 532 18 92-82 | SLEUTEL        |           | 1           |
| 10         | 532 19 49-40 | PLUG           |           | 1           |
| 11         | 532 17 46-97 | RING           |           | 1           |
| 12         | 532 43 58-25 | JUK            |           | 1           |
| 13         | 532 43 58-23 | BEVESTIGING    |           | 1           |
| 14         | 817 49 05-08 | SCREW          |           | 1           |
| 15         | 532 19 95-11 | BEVESTIGING    |           | 1           |
| 16         | 532 19 95-18 | BEVESTIGING    |           | 1           |
| 17         | 532 18 18-47 | PENNEN         |           | 1           |
| 18         | 817 60 04-06 | SCREW          |           | 1           |
| 19         | 532 40 50-77 | SCHAKEL        |           | 1           |
| 20         | 532 70 02-79 | KLEM           |           | 1           |
| 21         | 532 08 51-79 | KLEM           |           | 1           |
| 22         | 532 19 38-85 | VEER           |           | 1           |
| 23         | 532 18 20-15 | PENNEN         |           | 1           |
| 24         | 532 19 95-12 | BEVESTIGING    |           | 1           |



**KEES VAN DER SPEK**  
TUINMACHINES \* STOLWIJK

01.15.002-B

| Referentie | Onderdeel nr | Omschrijving | Opmerking | Aant KIT<br>al |
|------------|--------------|--------------|-----------|----------------|
| 1          | 532 43 58-27 | BEVESTIGING  |           | 1              |
| 2          | 532 43 58-26 | BEVESTIGING  |           | 1              |



01.06.015-A



| Referentie | Onderdeel nr | Omschrijving | Opmerking | Aant KIT<br>al |
|------------|--------------|--------------|-----------|----------------|
| 1          | 532 43 63-22 | WIEL         |           | 1              |
| 2          | 532 43 63-23 | WIEL         |           | 1              |