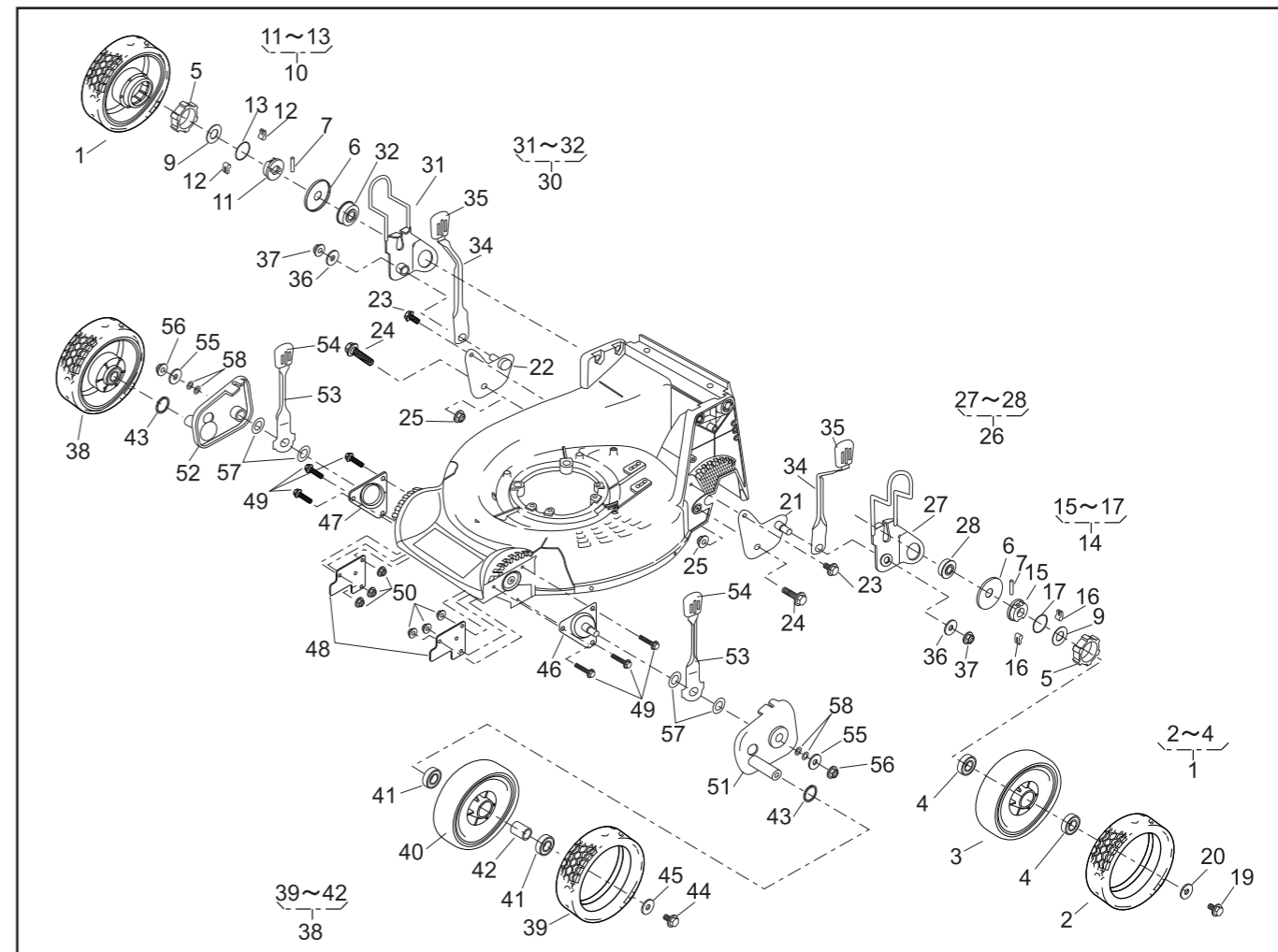


PARTS LIST

P/L No. 46014-503-00

NOTE	REF. No.	PARTS No.	PARTS NAME	8"AI-WHEEL		PRICE()	RECOMM.(%) Lot.100	REMARKS
				Q'TY	INCLUDING			
	1	71041 136	WHEEL ASSY(A.W.)	2				
	2	91086 113	TIRE	2				
	3		WHEEL	2				
	4	916B 6002	BEARING	4				
	5	11086 119	STOPPER	2				
	6	61003 112	THRUST PLATE	2				
	7	31034 137	PIN	2				
	8							
	9	68036 146	WASHER	2				
	10	71158 101	RATCHET ASSY(R)	1				
	11	11102 138	HOLDER	1				
	12	31034 170	PIN	2				
	13	68013 266	SPRING	1				
	14	71158 102	RATCHET ASSY(L)	1				
	15	11102 138	HOLDER	1				
	16	31034 170	PIN	2				
	17	68013 266	SPRING	1				
	18							
	19	31057 181	HEXAGON BOLT	2				
	20	68036 101	WASHER	2				
	21	11006 151	STAY C.P.(RL)	1				
	22	11006 152	STAY C.P.(RR)	1				
	23	342L 0612	FLANGE BOLT TAPPING	2				
	24	31057 255	HEXAGON BOLT	2				
	25	584L 0800	U-FLANGE NUT	2				
	26	71122 112	ADJUSTER ASSY(L)	1				
	27	11142 131	ADJUSTER(RL)	1				
	28	945L 0349	BEARING	1				
	29							
	30	71122 113	ADJUSTER ASSY(R)	1				



PARTS LIST

P/L No. 46014-503-00

NOTE	REF. No.	PARTS No.	PARTS NAME	8"AI-WHEEL		PRICE()	RECOMM.(%) Lot.100	REMARKS
				Q'TY	INCLUDING			
	31	11142 132	ADJUSTER(RR)	1				
	32	945L 0349	BEARING	1				
	33							
	34	11150 105 09	ADJUST LEVER	2				
	35	36061 121	KNOB	2				
	36	613L 0800	WASHER	2				
	37	569L 0800	FLANGE NYLON NUT	2				
	38	71041 135	WHEEL ASSY(A.W.)	2				
	39	91086 113	TIRE	2				
	40		WHEEL	2				
	41	916B 6002	BEARING	4				
	42	11083 332	COLLAR	2				
	43	51113 119	RING	2				
	44	31057 181	HEXAGON BOLT	2				
	45	68036 101	WASHER	2				
	46	11006 153	STAY C.P.(FL)	1				
	47	11006 154	STAY C.P.(FR)	1				
	48	11113 409	STAY	2				
	49	335L 0625	FLANGE BOLT	6				
	50	569L 0600	FLANGE NYLON NUT	6				
	51	11142 129	ADJUSTER(FL)	1				
	52	11142 130	ADJUSTER(FR)	1				
	53	11150 109 09	ADJUST LEVER	2				
	54	36061 121	KNOB	2				
	55	68036 101	WASHER	2				
	56	584L 0800	U-FLANGE NUT	2				
	57	68013 393	SPRING	4				
	58	68007 105	SHIM	0~4				
	59							
	60							