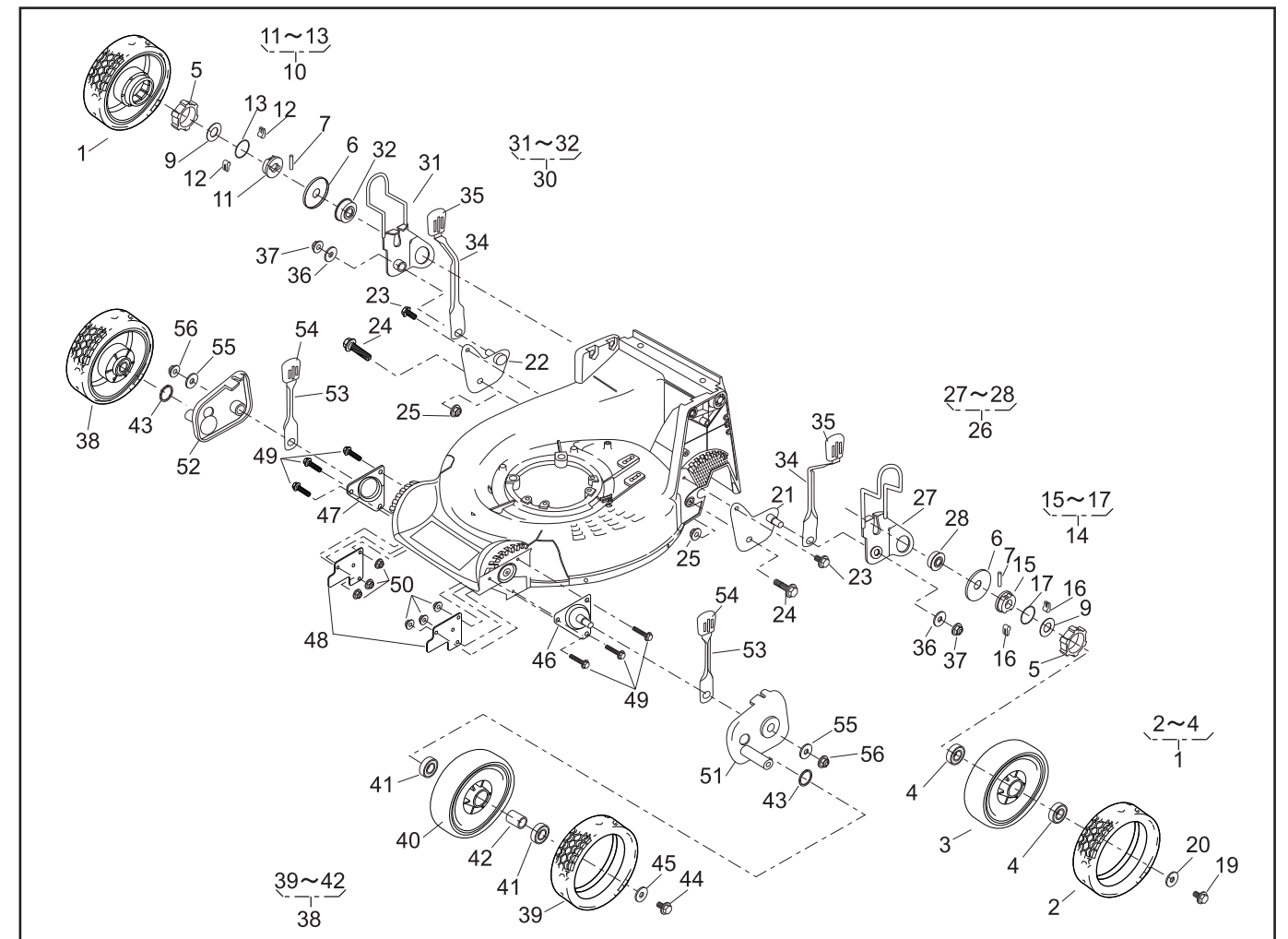


PARTS LIST

46014-224

REF. No.	PARTS No.	PARTS NAME	8"AI-WHEEL		1/2	Feb.07,2005	REMARKS
			Q'TY INCLUDING	PRICE()			
1	71041 136	WHEEL ASSY(A.W.)	2				
2	91086 113	TIRE	2				
3		WHEEL	2				
4	916B 6002	BEARING	4				
5	11086 119	STOPPER	2				
6	61003 112	THRUST PLATE	2				
7	31034 137	PIN	2				
8							
9	68036 146	WASHER	2				
10	71158 101	RATCHET ASSY(R)	1				
11	11102 138	HOLDER	1				
12	31034 170	PIN	2				
13	68013 266	SPRING	1				
14	71158 102	RATCHET ASSY(L)	1				
15	11102 138	HOLDER	1				
16	31034 170	PIN	2				
17	68013 266	SPRING	1				
18							
19	31057 181	HEXAGON BOLT	2				
20	68036 101	WASHER	2				
21	11006 151	STAY C.P.(RL)	1				
22	11006 152	STAY C.P.(RR)	1				
23	342L 0612	FLANGE BOLT TAPPING	2				
24	31057 255	HEXAGON BOLT	2				
25	569L 0800	FLANGE NYLON NUT	2				
26	71122 112	ADJUSTER ASSY(L)	1				
27	11142 131	ADJUSTER(RL)	1				
28	945L 0349	BEARING	1				



PARTS LIST

46014-224

REF. No.	PARTS No.	PARTS NAME	8"AI-WHEEL		2/2	Feb.07,2005	REMARKS
			Q'TY INCLUDING	PRICE()			
29							
30	71122 113	ADJUSTER ASSY(R)	1				
31	11142 132	ADJUSTER(RR)	1				
32	945L 0349	BEARING	1				
33							
34	11150 105 09	ADJUST LEVER	2				
35	36061 121	KNOB	2				
36	613L 0800	WASHER	2				
37	569L 0800	FLANGE NYLON NUT	2				
38	71041 135	WHEEL ASSY(A.W.)	2				
39	91086 113	TIRE	2				
40		WHEEL	2				
41	916B 6002	BEARING	4				
42	11083 332	COLLAR	2				
43	51113 119	RING	2				
44	31057 181	HEXAGON BOLT	2				
45	68036 101	WASHER	2				
46	11006 153	STAY C.P.(FL)	1				
47	11006 154	STAY C.P.(FR)	1				
48	11113 409	STAY	2				
49	335L 0625	FLANGE BOLT	6				
50	569L 0600	FLANGE NYLON NUT	6				
51	11142 129	ADJUSTER(FL)	1				
52	11142 130	ADJUSTER(FR)	1				
53	11150 106 09	ADJUST LEVER	2				
54	36061 121	KNOB	2				
55	613L 0800	WASHER	2				
56	569L 0800	FLANGE NYLON NUT	2				