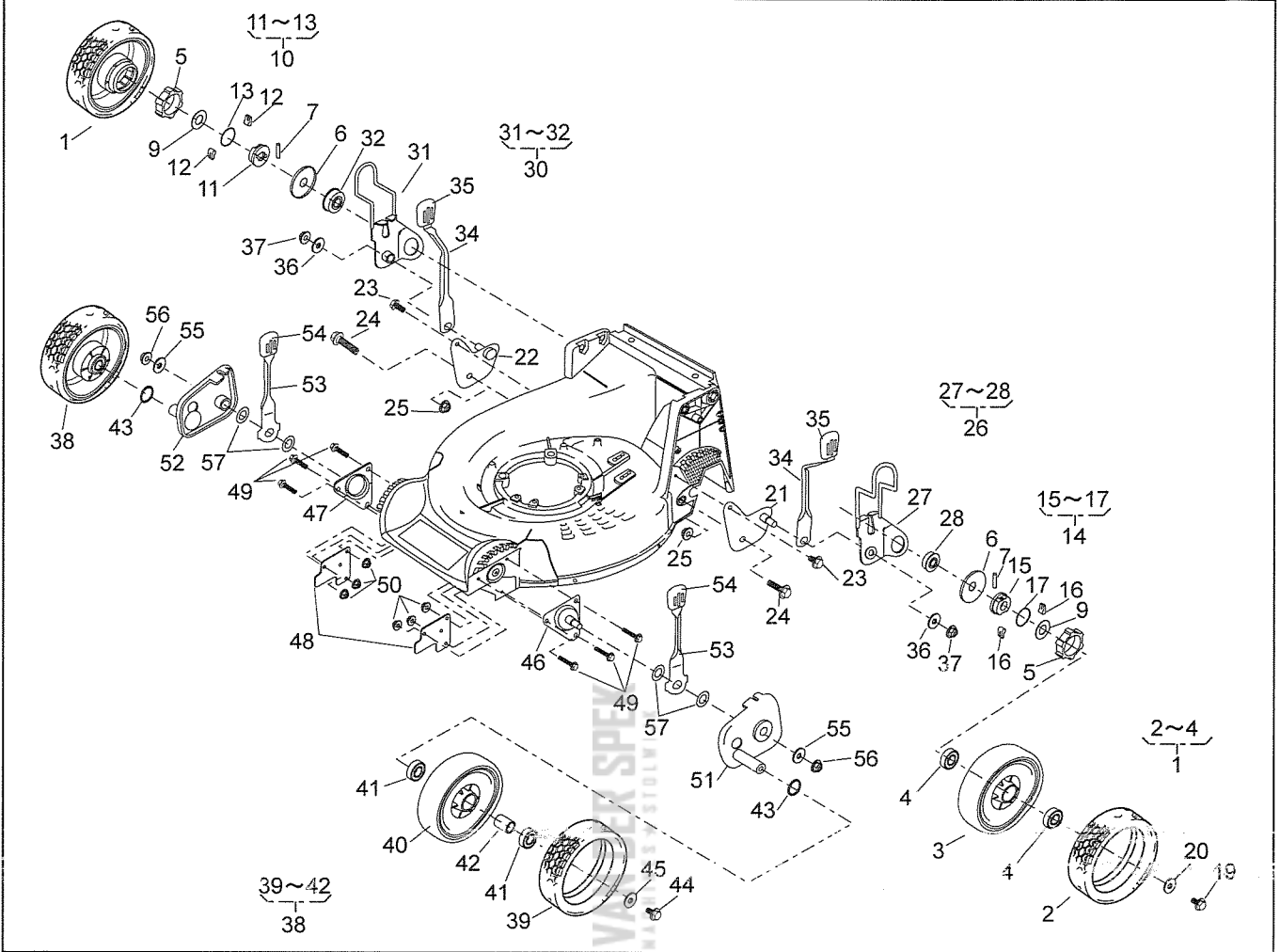


8"AI-WHEEL	Date : 01. Apr, 2010	Revision : 01	Page : 1/1
Brand : KAAZ	Model : LM5360HXA	Product Code : 620157	



8"AI-WHEEL

Brand: KAAZ
P.cd: 620157Date: 1-Apr-2010
Revision: 01(A): LM5360HXA
(B):
(C):

Ref.No	Parts.No	Parts.Name	Q'ty			Remarks	Recomm(%) Lot.100
			(A)	(B)	(C)		
1	71041-136	WHEEL ASS'Y	2				3
2	91086-113	TIRE	2				5
4	916B6002	BEARING (6002DDC3)	4				3
5	11086-119	STOPPER	2				3
6	61003-112	THRUST PLATE	2				10
7	31034-137	PIN	2				10
9	68036-146	WASHER (16x31.5x1.0)	2				5
10	71158-104	RATCHET ASS'Y	1				-
11	11102-235	HOLDER	1				10
12	31034-170	PIN	2				10
13	68013-266	SPRING	1				10
14	71158-103	RATCHET ASS'Y	1				-
15	11102-235	HOLDER	1				10
16	31034-170	PIN	2				10
17	68013-266	SPRING	1				10
19	31057-181	HEXAGON BOLT	2				3
20	68036-101	WASHER (9x25x2.3)	2				3
21	11006-151	STAY C.P.	1				3
22	11006-152	STAY C.P.	1				3
23	342L0612	FLANGE TAPPING BOLT	2				3
24	31057-255	HEXAGON BOLT (M8x25)	2				3
25	584L0800	U-FLANGE NUT	2				3
26	71122-112	ADJUSTER ASS'Y	1				-
27	11142-131	ADJUSTER	1				10
28	945L0349	BEARING (F-PC0349L)	1				10
30	71122-113	ADJUSTER ASS'Y	1				-
31	11142-132	ADJUSTER	1				10
32	945L0349	BEARING (F-PC0349L)	1				10
34	11150-105-09	ADJUST LEVER	2				5
35	36061-121	KNOB	2				5
36	613L0800	PLAIN WASHER	2				5
37	569L0800	FLANGE NYLON NUT	2				5
38	71041-135	WHEEL ASS'Y	2				3
39	91086-113	TIRE	2				5
41	916B6002	BEARING (6002DDC3)	4				3
42	11083-332	COLLAR	2				3
43	51113-119	RING	2				3
44	31057-181	HEXAGON BOLT	2				3
45	68036-101	WASHER (9x25x2.3)	1				3
46	11006-153	STAY C.P.	1				5
47	11006-154	STAY C.P.	1				5
48	11113-409	STAY	2				3
49	335L0625	FLANGE BOLT	6				5
50	569L0600	FLANGE NYLON NUT	6				5
51	11142-129	ADJUSTER	1				5
52	11142-130	ADJUSTER	1				5
53	11150-109-09	ADJUST LEVER	2				5
54	36061-121	KNOB	2				5
55	68036-101	WASHER (9x25x2.3)	2				5
56	584L0800	U-FLANGE NUT	2				5
57	68013-393	SPRING	4				3