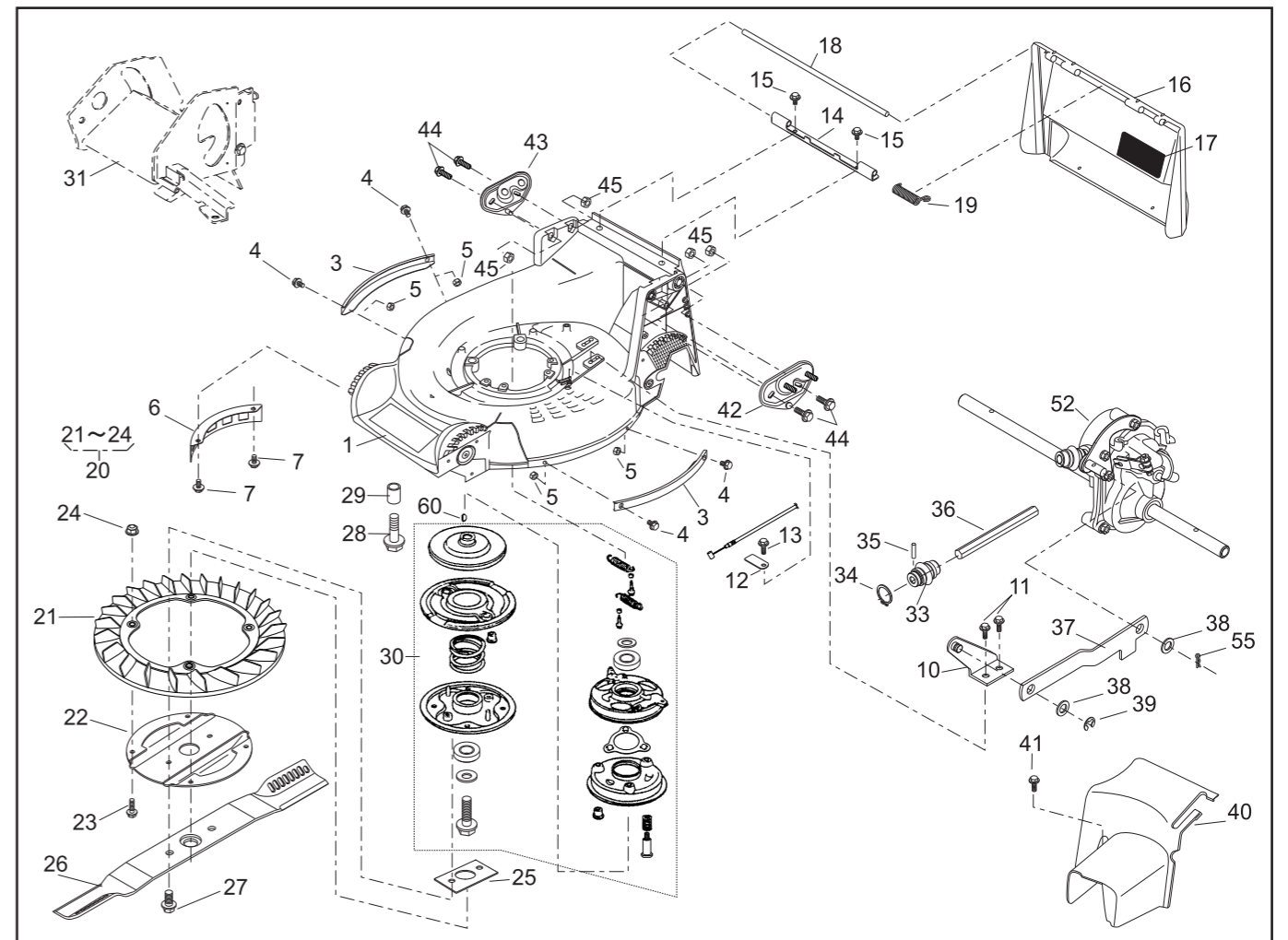


### PARTS LIST

P/L No. 46014-533-00

REF. No.	PARTS No.	PARTS NAME	GRASS-CUTTING		1/2	Dec. 25, 2006
			Q'TY INCLUDING	PRICE( )		
1	51043   152   42	HOUSING	1			
2						
3	51090   117   09	PROTECTOR	2			
4	335L   0616	FLANGE BOLT	4			
5	512L   0600	HEXAGON NUT	4			
6	36065   180	COVER	1			
7	342L   0612	FLANGE TAPPING BOLT	2			
8						
9						
10	11006   155	STAY C.P.	1			
11	342L   0612	FLANGE TAPPING BOLT	2			
12	11113   407	STAY	1			
13	342L   0612	FLANGE TAPPING BOLT	1			
14	11113   292	STAY	1			
15	342L   0612	FLANGE TAPPING BOLT	2			
16	36068   196   46	GUARD	1			
17	36080   149	RUBBER SHEET	1			
18	64014   324	SHAFT	1			
19	68013   336	SPRING	1			
20	71082   111	FAN ASS'Y	1			
21	51125   103	FAN	1			
22	11102   151	HOLDER	1			
23	31062   169	PRE-COAT LOCK BOLT	4			
24	579L   0600	FLANGE NUT	4			
25	61024   208	SPACER	1			
26	91014   188	BLADE	1			
27	31057   197	HEXAGON BOLT	2			
28	31057   243	HEXAGON BOLT	4			
29	61024   142	SPACER	3			
30	71067   106	BRAKE ASS'Y	1			



### PARTS LIST

P/L No. 46014-533-00

REF. No.	PARTS No.	PARTS NAME	GRASS-CUTTING		2/2	Dec. 25, 2006
			Q'TY INCLUDING	PRICE( )		
31		COVER UNIT (Ref. P/L No. 46012-548-**)				
32						
33	91097   101	UNIVERSAL JOINT	1			
34	812V   2000	C-SNAP RING	1			
35	717B   0418	PARALLEL PIN	1			
36	64014   358	SHAFT	1			
37	91049   135	CONNECTOR	1			
38	68036   280	WASHER	2			
39	816V   0800	E-SNAP RING	1			
40	36065   438	COVER	1			
41	342L   0616	FLANGE TAPPING BOLT	1			
42	51116   149	HANDLE BRACKET(L)	1			
43	51116   150	HANDLE BRACKET(R)	1			
44	31057   255	HEXAGON BOLT	4			
45	512L   0800	HEXAGON NUT	4			
46						
47						
48						
49						
50						
51						
52	71008   275	GEAR CASE ASS'Y	1			
53						
54						
55	733L   1000	SNAP PIN	1			
56						
57						
58						
59	122039	ENGINE:HONDA GXV160H2-SFL1-R280	1			
60		WOODRUFF KEY	1			