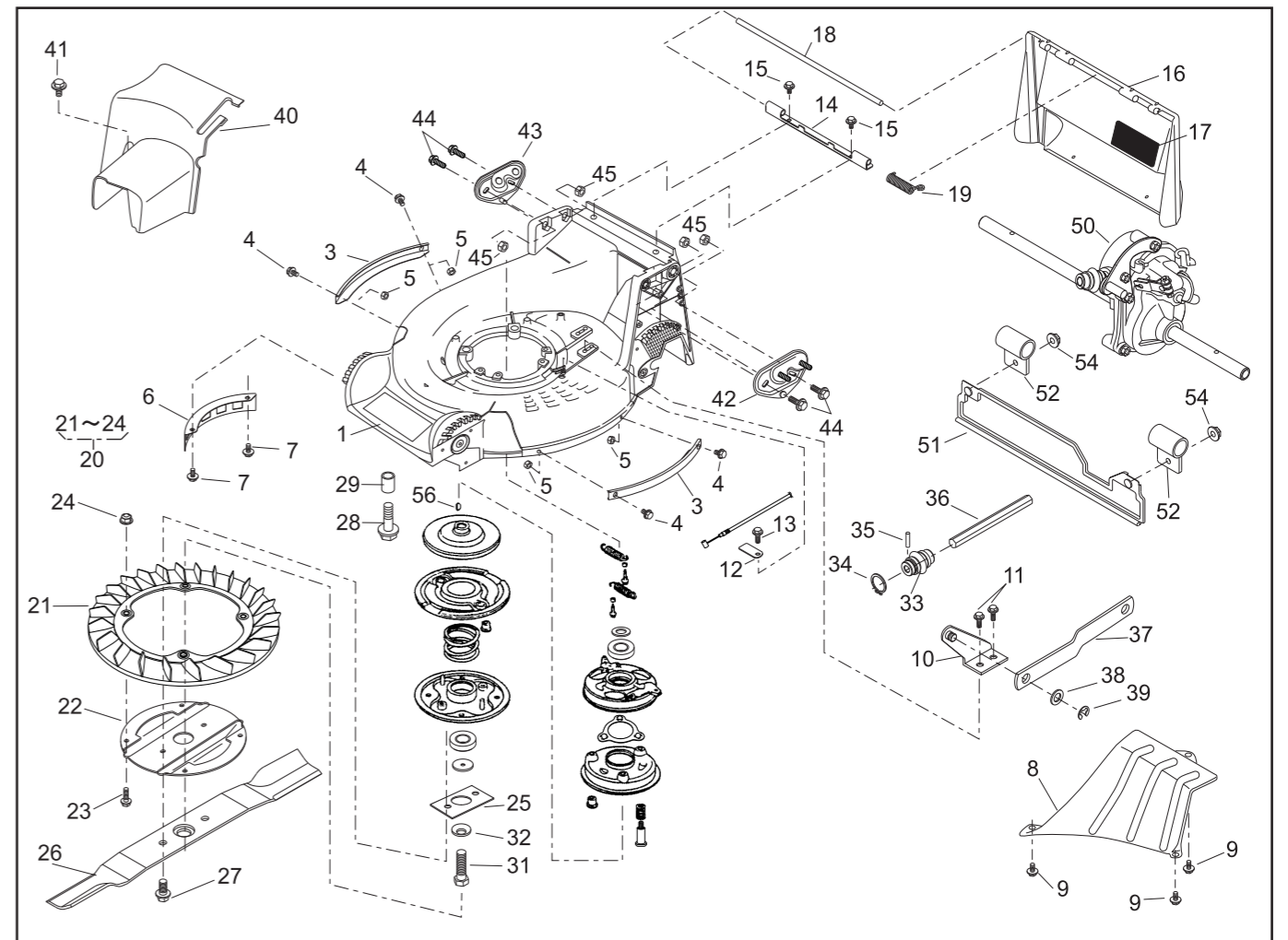


PARTS LIST

46014-234

REF. No.	PARTS No.	PARTS NAME	GRASS-CUTTING		1/2	Feb.09,2005	REMARKS
			Q'TY INCLUDING	PRICE( )			
1	51043   147   42	HOUSING	1				
2							
3	51090   117   09	PROTECTOR	2				
4	335L   0616	FLANGE BOLT	4				
5	512L   0600	HEXAGON NUT	4				
6	36065   180	COVER	1				
7	342L   0612	FLANGE BOLT TAPPING	2				
8	36065   436	COVER	1				
9	342L   0612	FLANGE BOLT TAPPING	3				
10	11006   155	STAY C.P.	1				
11	342L   0612	FLANGE BOLT TAPPING	2				
12	11113   407	STAY	1				
13	342L   0612	FLANGE BOLT TAPPING	1				
14	11113   292	STAY	1				
15	342L   0612	FLANGE BOLT TAPPING	2				
16	36068   196   46	GUARD	1				
17	36080   149	RUBBER SHEET	1				
18	64014   324	SHAFT	1				
19	68013   336	SPRING	1				
20	71082   111	FAN ASSY	1				
21	51125   103	FAN	1				
22	11102   151	HOLDER	1				
23	31062   169	PRE-COAT LOCK BOLT	4				
24	579L   0600	FLANGE NUT	4				
25	61024   208	SPACER	1				
26	91014   159   59	BLADE	1				
27	31057   197	HEXAGON BOLT	2				
28	31057   243	HEXAGON BOLT	4				



PARTS LIST

46014-234

REF. No.	PARTS No.	PARTS NAME	GRASS-CUTTING		2/2	Feb.09,2005	REMARKS
			Q'TY INCLUDING	PRICE( )			
29	61024   142	SPACER	3				
30	71067   106	BRAKE ASSY	1				
31	31057   196	HEXAGON BOLT	1				
32	671V   1000	CONICAL SPRING WASHER	1				
33	91097   101	UNIVERSAL JOINT	1				
34	812V   2000	C-SNAP RING FOR SHAFT	1				
35	717B   0418	PARALLEL PIN	1				
36	64014   358	SHAFT	1				
37	91049   132	CONNECTOR	1				
38	68036   280	WASHER	1				
39	816V   0800	E-SNAP RING	1				
40	36065   438	COVER	1				
41	342L   0616	FLANGE BOLT TAPPING	1				
42	51116   149	HANDLE BRACKET(L)	1				
43	51116   150	HANDLE BRACKET(R)	1				
44	31057   255	HEXAGON BOLT	4				
45	512L   0800	HEXAGON NUT	4				
46							
47							
48							
49							
50	71008   275	GEAR CASE ASSY	1				
51	36046   150	SAFETY GUARD	1				
52	11012   126	HANGER BAND	2				
53							
54	569L   0600	FLANGE NYLON NUT	2				
55	122039	ENGINE:HONDA GXV160H2-SFL1-R280	1				
56		WOOD RUFF KEY	1				