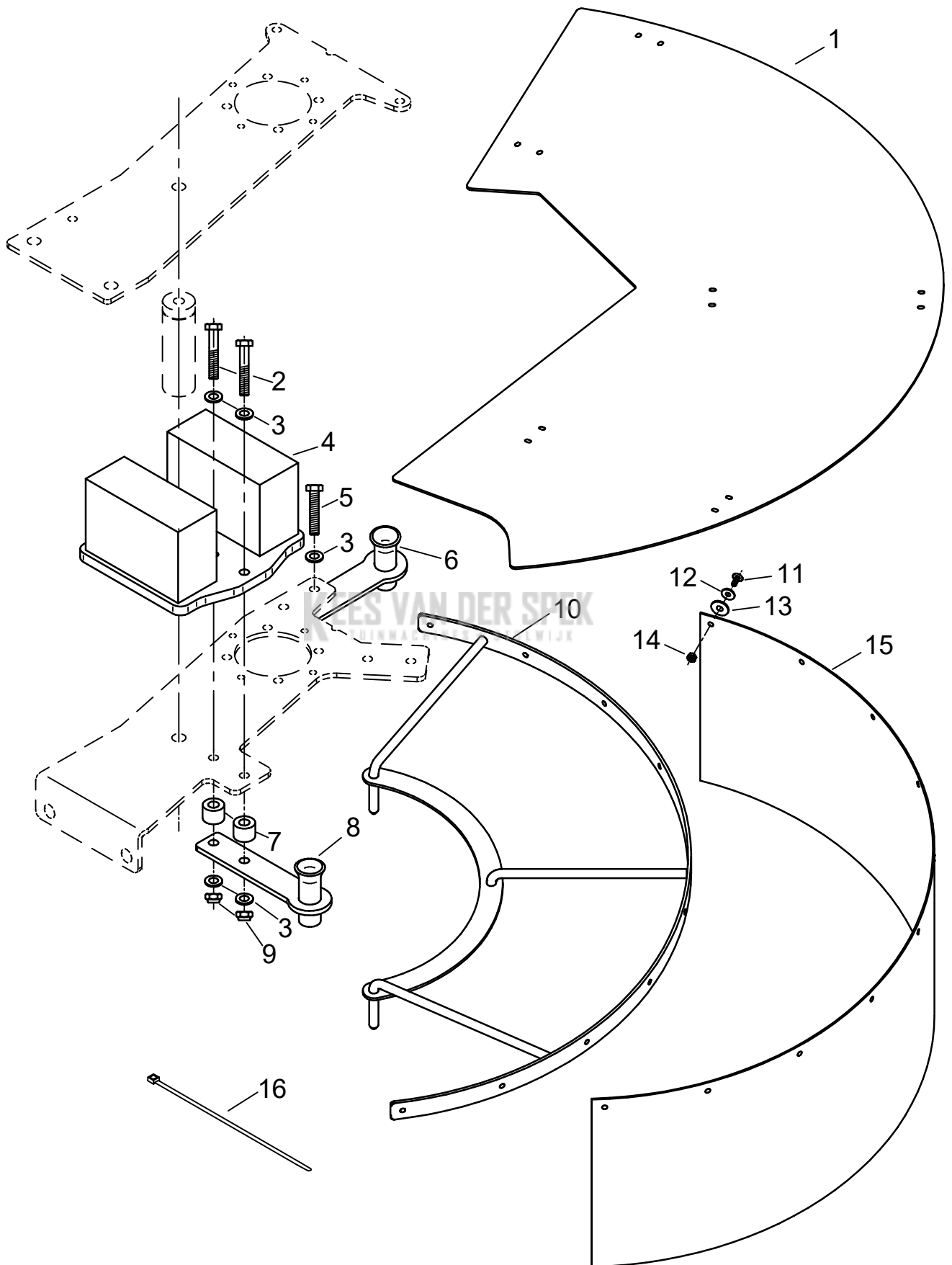
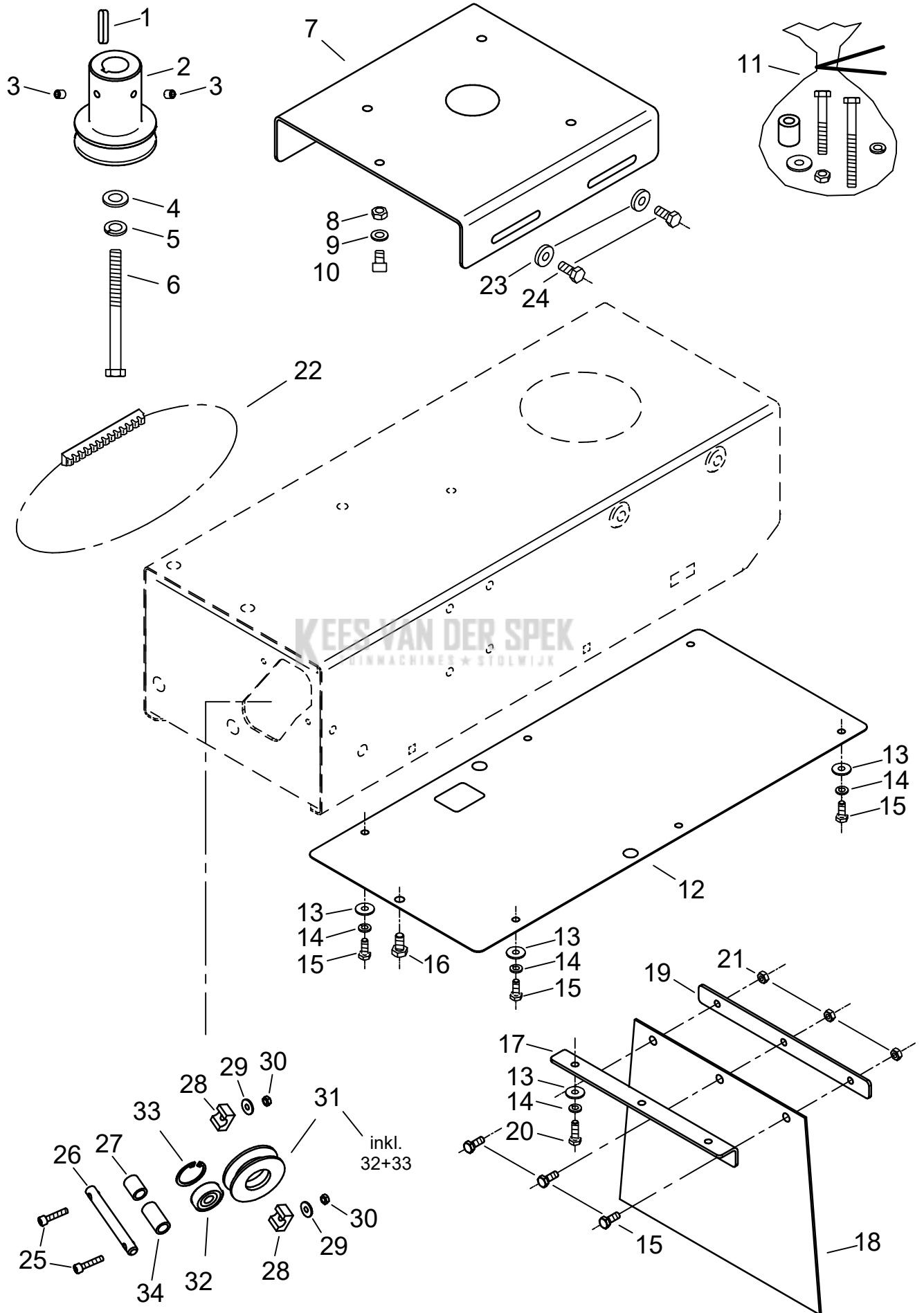
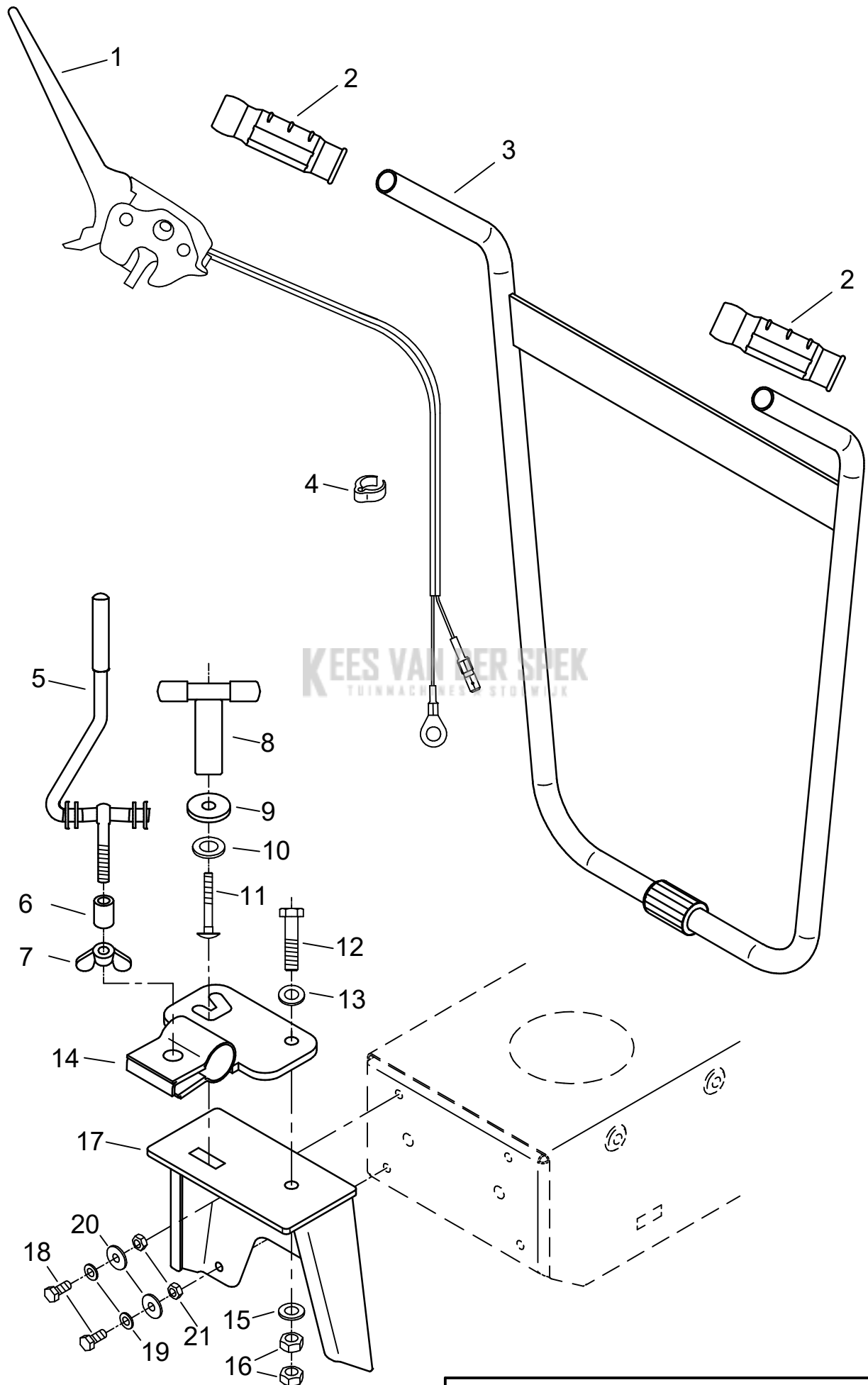


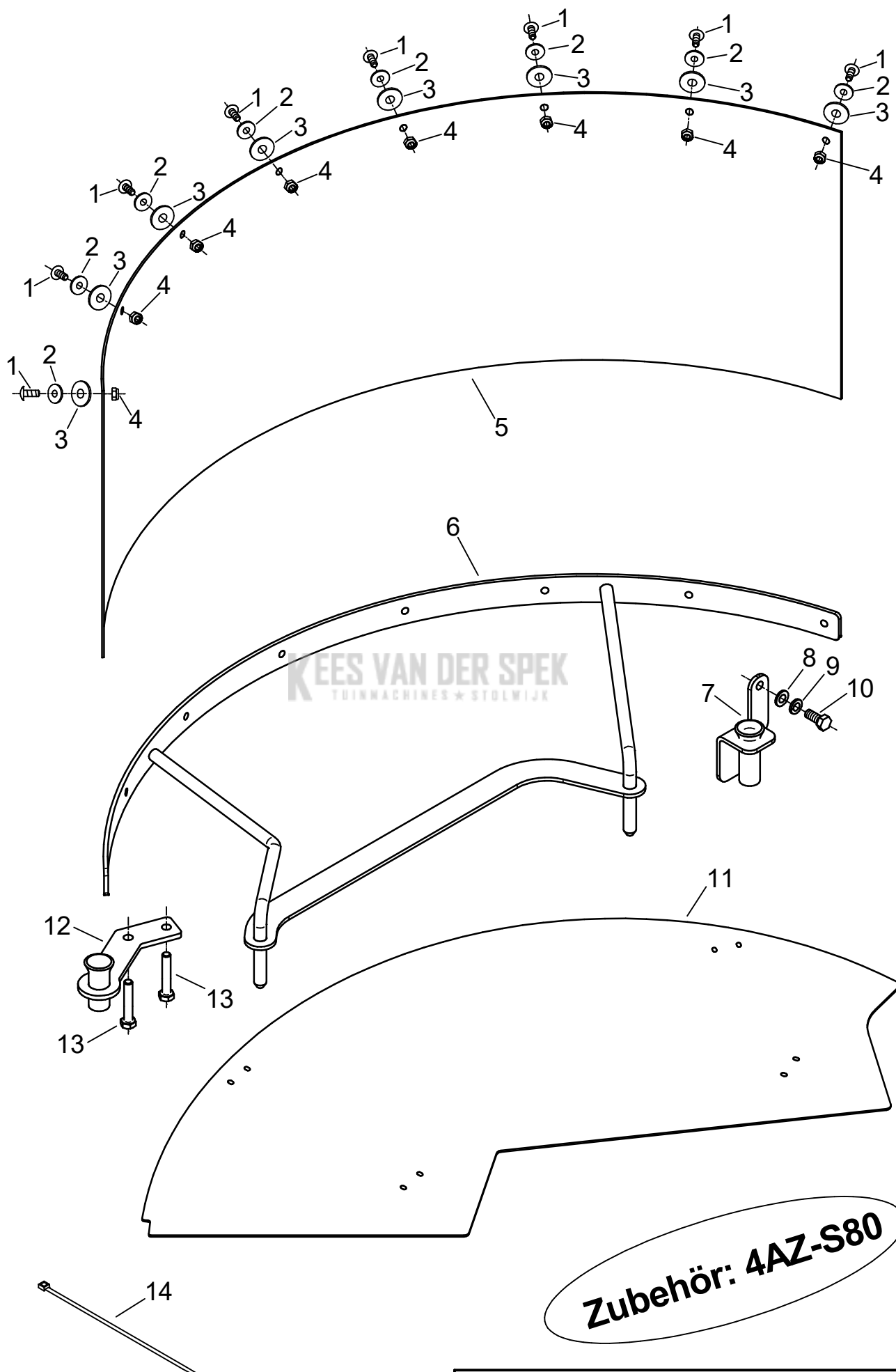
| Pos. | Artikel-Nr. | Bezeichnung | Pos. | Artikel-Nr. | Bezeichnung |
|------|-------------|---|------------------------------------|-------------|-----------------------|
| 1 | 4HO-A33 Z | 6kt-Schraube M12x25 | 37 | 4KC-A148 | Kunststoff-Zopfbürste |
| 2 | 4HW-F12 Z | Federring M12 | 38 | 4HO-A15 Z | 6kt-Schraube M8x25 |
| 3 | 4HW-A12 Z | Scheibe Ø13 | 39 | 4KC-B103 | Kupplungsflansch |
| 4 | 4DS-B06 Z | Haubenhalter 20 | 40 | 4DA-i52 Z | Distanzring |
| 5 | 4HO-G12 Z | Inbus-Schraube M8x12 | 41 | 4HW-A24 Z | Scheibe Ø25 |
| 6 | 4HO-A10 Z | 6kt-Schraube M6x25 | 42 | 4HO-G41 Z | Inbusschraube M6x40 |
| 7 | 4HW-F06 Z | Federring M6 | 43 | 4Hi-B04 | Druckfeder |
| 8 | 4DA-H335 Z | Tragblech 2 WD, oben | 44 | 4DC-K45 Z | Hebelkopf |
| 9 | 4HO-A09 Z | 6kt-Schraube M6x20 | 45 | 4HR-C06 Z | Stoppmutter M6 |
| 10 | | | | | |
| 11 | 4DA-H332 Z | Scheibe 7-30 | | | |
| 12 | 4AZ-A123 Z | K-Scheibe WD Bonfi. | | | |
| 13 | 4KC-A96 Z | Gewindestift M6x8 (mit Zapfen) | | | |
| 14 | 4HW-D16 Z | Scheibe, dick Ø17 | | | |
| 15 | 4KH-P05 | Passfeder 5x5x16 | | | |
| 16 | 4KB-S01 | Getriebe VF49 Bonfi. (inkl. Pos.15) | | | |
| 17 | 4HO-A34 Z | 6kt-Schraube M12x30 | | | |
| 18 | 4HW-B12 Z | Scheibe, groß Ø13 | | | |
| 19 | 4DC-M40 Z | Distanzstück Bü-Tr | | | |
| 20 | 4DA-H334 Z | Tragblech 2 WD, unten | | | |
| 21 | 4DC-R61 Z | Hülse 40-25-70 | | | |
| 22 | FWQ-104 | Bü-Tragzapfen | | | |
| 23 | 4KH-P13 | Passfeder 8x7x60 | | | |
| 24 | 4HR-C08 Z | Stoppmutter M8 | | | |
| 25 | 4HW-A08 Z | Scheibe Ø8,4 | | | |
| 26 | 4DA-H346 Z | Scheibe Ø8/Ø24/5 | | | |
| 27 | 4HO-A15 Z | 6kt-Schraube M8x25 | | | |
| 28 | 4DA-G227 Z | Schnell.-Kupplung | | | |
| 29 | 4AZ-S70 | Büstenschlitten Set WD | | | |
| 30 | 4HM-Z04 | Zopfbürste 14-260 (1 Satz = 8 Stück) | | | |
| 31 | 4AZ-805 | Rohrklappsplint 6/45 | | | |
| 32 | 4HJ-K02 | Taststück | | | |
| 33 | 4KC-A145 | W-Schraube 5x16 TX20 | | | |
| 34 | FWQ-109-G | Bü-Teller Misch. kpl. | | | |
| 35 | FWQ-208 | Bürsten-Befest. Satz | | | |
| 36 | 4DA-G233 Z | Bü-Blech | 4KE-WQ-A Änd-Stand: a-Oktober-2018 | | |





| Pos. | Artikel-Nr. | Bezeichnung | Pos. | Artikel-Nr. | Bezeichnung |
|------------------------------------|-------------|--|------|-------------|-------------|
| 1 | 4KH-P11 | Passfeder 1/4" x 1 1/4" (31,75mm lang) | 33 | 4HU-i30 | Seegerring |
| 2 | 4AZ-A120 Z | MK-Scheibe 59 | | | |
| 3 | 4KC-A04 | Gewindestift M8x10 | | | |
| 4 | 4HW-A12 Z | Scheibe Ø13 | | | |
| 5 | 4HW-F12 Z | Federring M12 | | | |
| 6 | 4HO-M55 Z | Zollschr. 7/16" UNF x3 1/4" (82,5mm lang) | | | |
| 7 | 4DA-F281-SK | Motorkonsole WD 7 B | | | |
| 8 | 4HR-C08 Z | Stoppmutter M8 | | | |
| 9 | 4HW-A08 Z | Scheibe Ø8,4 | | | |
| 10 | 4HO-G12 Z | Inbus-Schraube M8x16 | | | |
| 11 | 4AZ-S69 | Motor-Befest. Satz B&S 950 E | | | |
| 12 | 4DA-A69 Z | Boden WD 70 | | | |
| 13 | 4HW-B06 Z | Scheibe, groß Ø6,3 | | | |
| 14 | 4HW-F06 Z | Federring M6 | | | |
| 15 | 4HO-A08 Z | 6kt-Schraube M6x16 | | | |
| 16 | 4HO-A13 Z | 6kt-Schraube M8x16 | | | |
| 17 | 4DA-F290 Z | Gu - Winkel WD | | | |
| 18 | 4HK-E60 | Unterschutz WD | | | |
| 19 | 4DA-F291 Z | Gu - Leiste WD | | | |
| 20 | 4HO-A09 Z | 6kt-Schraube M6x20 | | | |
| 21 | 4HR-C06 Z | Stoppmutter M6 | | | |
| 22 | 4HB-Y51 S | Keilriemen XPA 1900 Lw | | | |
| 23 | 4HW-D08 Z | Scheibe, dick Ø8,4 | | | |
| 24 | 4HO-A14 Z | 6kt-Schraube M8x20 | | | |
| 25 | 4HO-G05 Z | Inbussschraube M5x25 | | | |
| 26 | 4DC-E46 V | FR-Achse | | | |
| 27 | 4DL-P03 Z | Hülse UMR (19 lg) | | | |
| 28 | 4DD-Y01 Z | Lagerschale 10 | | | |
| 29 | 4HW-B05 Z | Scheibe, groß Ø5,3 | | | |
| 30 | 4HR-C05 Z | Stoppmutter M5 | | | |
| 31 | 4AZ-207 | Umlenkrolle (inkl. 32+33) | | | |
| 32 | 4HA-C10 | Kugellager 6200 2RS | | | |
| 33 | 4HU-i30 | Seegering | | | |
| 34 | 4DL-P02 Z | Hülse UMR (29 lg) | | | |
| 4KE-WQ-A Änd-Stand: a-Oktober-2018 | | | | | |





Zubehör: 4AZ-S80

