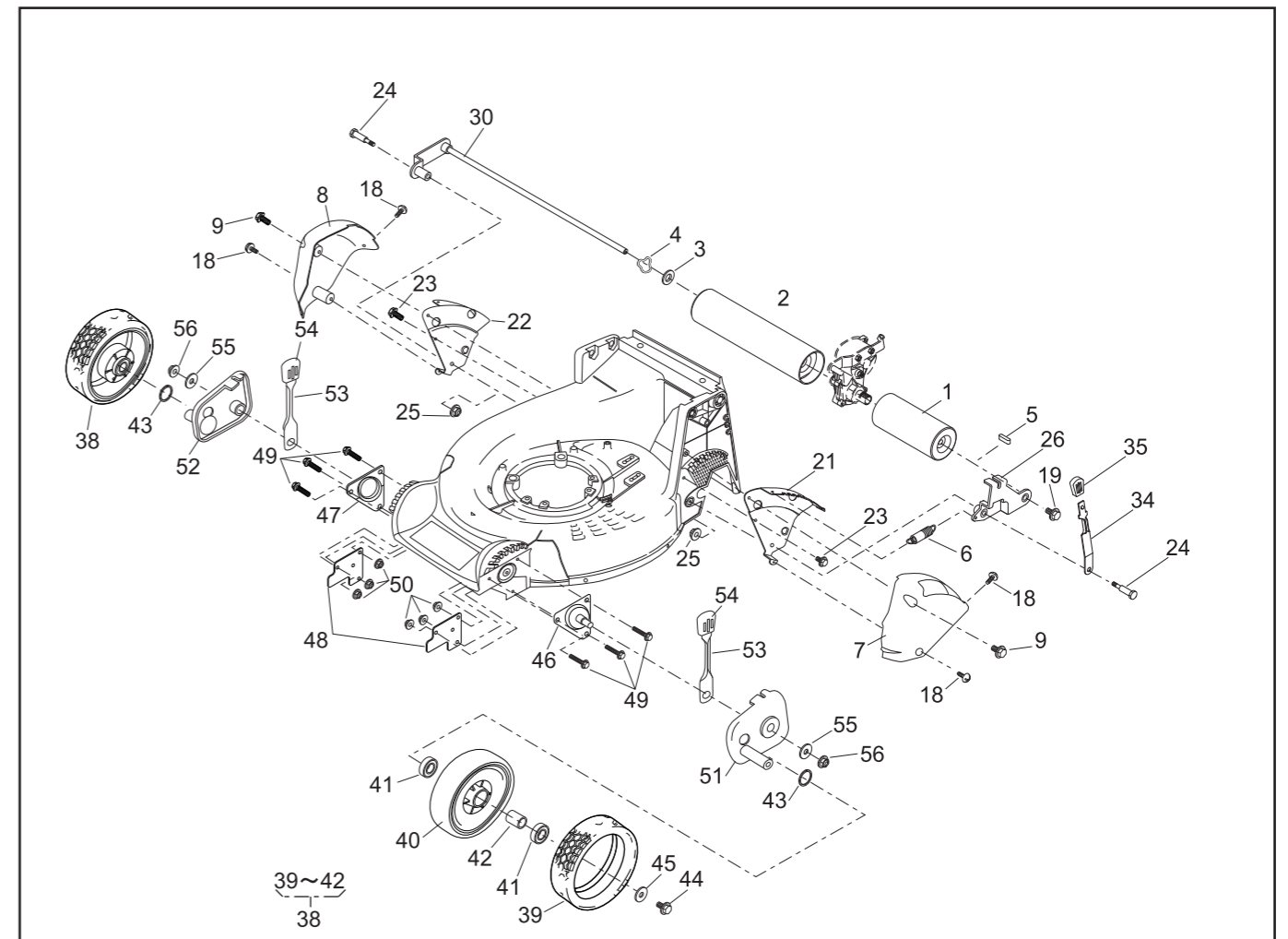


PARTS LIST

46014-227

REF. No.	PARTS No.	PARTS NAME	8"AI-ROLLER		1/2	Mar.31,2005
			Q'TY INCLUDING	PRICE()	RECOMM.(%) Lot.100	REMARKS
1	36099 102	ROLLER(L)	1			
2	36099 103	ROLLER(R)	1			
3	61024 118	SPACER	0~2			
4	664V 0016	WAVE SPRING WASHER	0~2			
5	91020 131	KEY	1			
6	68013 265	SPRING	1			
7	36065 444	COVER	1			
8	36065 445	COVER	1			
9	342L 0616	FLANGE TAPPING BOLT	2			
10						
11						
12						
13						
14						
15						
16						
17						
18	475L 0516	(+)TAPPING SCREW	4			
19	31057 181	HEXAGON BOLT	1			
20						
21	11113 411	STAY(RL)	1			
22	11113 412	STAY(RR)	1			
23	342L 0612	FLANGE BOLT TAPPING	2			
24	31057 261	HEXAGON BOLT	2			
25	569L 0800	FLANGE NYLON NUT	2			
26	11142 136	ADJUSTER(L)	1			
27						
28						



PARTS LIST

46014-227

REF. No.	PARTS No.	PARTS NAME	8"AI-ROLLER		2/2	Mar.31,2005
			Q'TY INCLUDING	PRICE()	RECOMM.(%) Lot.100	REMARKS
29						
30	11142 137	ADJUSTER(R)	1			
31						
32						
33						
34	11150 108 09	ADJUST LEVER	1			
35	36061 121	KNOB	1			
36						
37						
38	71041 135	WHEEL ASSY(A.W.)	2			
39	91086 113	TIRE	2			
40		WHEEL	2			
41	916B 6002	BEARING	4			
42	11083 332	COLLAR	2			
43	51113 119	RING	2			
44	31057 181	HEXAGON BOLT	2			
45	68036 101	WASHER	2			
46	11006 153	STAY C.P.(FL)	1			
47	11006 154	STAY C.P.(FR)	1			
48	11113 409	STAY	2			
49	335L 0625	FLANGE BOLT	6			
50	569L 0600	FLANGE NYLON NUT	6			
51	11142 129	ADJUSTER(FL)	1			
52	11142 130	ADJUSTER(FR)	1			
53	11150 106 09	ADJUST LEVER	2			
54	36061 121	KNOB	2			
55	613L 0800	WASHER	2			
56	569L 0800	FLANGE NYLON NUT	2			