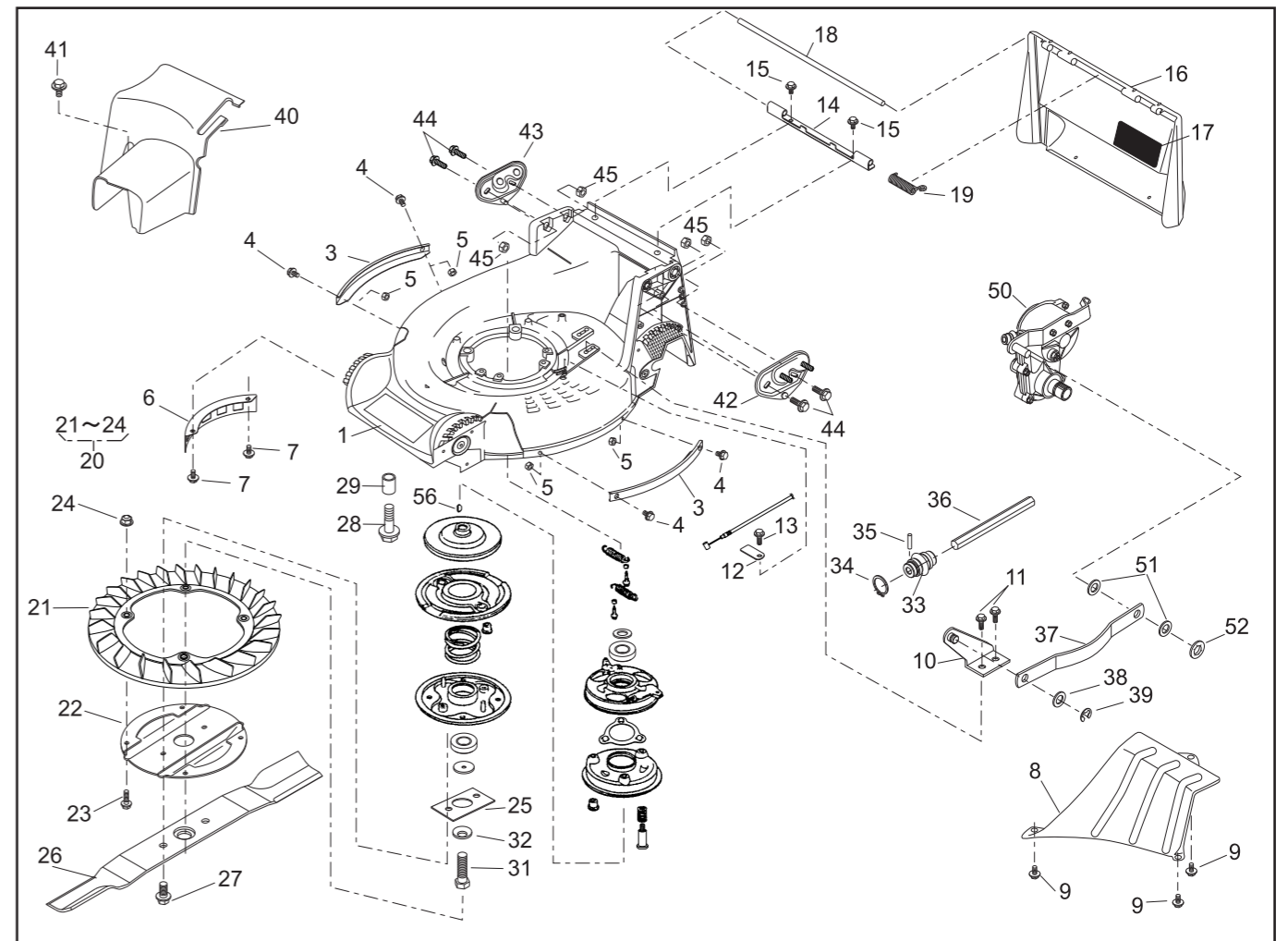


PARTS LIST

46014-237

REF. No.	PARTS No.	PARTS NAME	GRASS-CUTTING		1/2	RECOMM.(%) Lot.100	REMARKS
			Q'TY INCLUDING	PRICE()			
1	51043 147 42	HOUSING	1				
2							
3	51090 117 09	PROTECTOR	2				
4	335L 0616	FLANGE BOLT	4				
5	512L 0600	HEXAGON NUT	4				
6	36065 180	COVER	1				
7	342L 0612	FLANGE BOLT TAPPING	2				
8	36065 436	COVER	1				
9	342L 0612	FLANGE BOLT TAPPING	3				
10	11006 155	STAY C.P.	1				
11	342L 0612	FLANGE BOLT TAPPING	2				
12	11113 407	STAY	1				
13	342L 0612	FLANGE BOLT TAPPING	1				
14	11113 292	STAY	1				
15	342L 0612	FLANGE BOLT TAPPING	2				
16	36068 196 46	GUARD	1				
17	36080 149	RUBBER SHEET	1				
18	64014 324	SHAFT	1				
19	68013 336	SPRING	1				
20	71082 111	FAN ASSY	1				
21	51125 103	FAN	1				
22	11102 151	HOLDER	1				
23	31062 169	PRE-COAT LOCK BOLT	4				
24	579L 0600	FLANGE NUT	4				
25	61024 208	SPACER	1				
26	91014 159 59	BLADE	1				
27	31057 197	HEXAGON BOLT	2				
28	31057 243	HEXAGON BOLT	4				



PARTS LIST

46014-237

REF. No.	PARTS No.	PARTS NAME	GRASS-CUTTING		2/2	RECOMM.(%) Lot.100	REMARKS
			Q'TY INCLUDING	PRICE()			
29	61024 142	SPACER	3				
30	71067 106	BRAKE ASSY	1				
31	31057 196	HEXAGON BOLT	1				
32	671V 1000	CONICAL SPRING WASHER	1				
33	91097 101	UNIVERSAL JOINT	1				
34	812V 2000	C-SNAP RING FOR SHAFT	1				
35	717B 0418	PARALLEL PIN	1				
36	64014 359	SHAFT	1				
37	91049 133	CONNECTOR	1				
38	68036 280	WASHER	1				
39	816V 0800	E-SNAP RING	1				
40	36065 438	COVER	1				
41	342L 0616	FLANGE BOLT TAPPING	1				
42	51116 149	HANDLE BRACKET(L)	1				
43	51116 150	HANDLE BRACKET(R)	1				
44	31057 255	HEXAGON BOLT	4				
45	512L 0800	HEXAGON NUT	4				
46							
47							
48							
49							
50	71008 369	GEAR CASE ASSY	1				
51	68001 110	FIBER WASHER	2				
52	576V 1000	PUSH NUT	1				
53							
54							
55	122039	ENGINE:HONDA GXV160H2-SFL1-R280	1				
56		WOOD RUFF KEY	1				