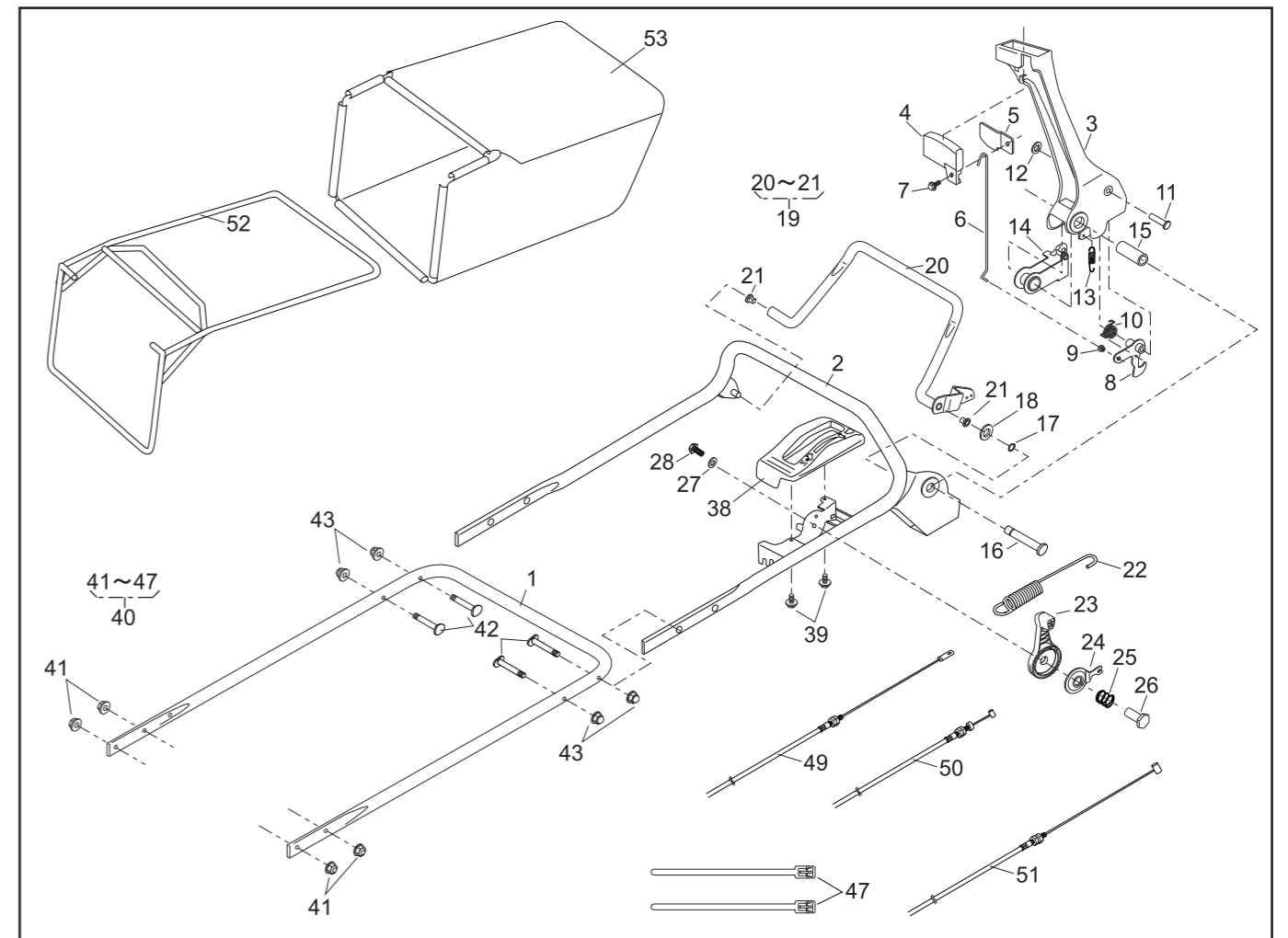


### PARTS LIST

46014-257

REF. No.	PARTS No.	PARTS NAME	HANDLE-ROLLER		1/2	RECOMM.(%) Lot.100	REMARKS
			Q'TY INCLUDING	PRICE( )			
1	51027   249	HANDLE	1				
2	51027   250	HANDLE	1				
3	11095   172	LEVER(BBC)	1				
4	36110   102	BUTTON	1				
5	11049   109	SLIDE PLATE	1				
6	64014   336	SHAFT	1				
7	335N   0612	FLANGE BOLT	1				
8	71203   135	ARM C.P.	1				
9	76007   183	BUSH	1				
10	68013   371	SPRING	1				
11	31056   127	GIB-HEADED PIN	1				
12	576V   0600	PUSH NUT	1				
13	68013   372	SPRING	1				
14	11109   111	LINK	1				
15	61023   190	SLEEVE	1				
16	64014   337	SHAFT	1				
17	812V   0800	C-SNAP RING FOR SHAFT	1				
18	613L   0800	WASHER	1				
19	71161   114   09	LEVER ASSY	1				
20		LEVER	1				
21	76007   131	BUSH	2				
22	68013   382	SPRING	1				
23	91010   169	THROTTLE LEVER(GXV120/GXV160)	1				
24	61003   113	THRUST PLATE	1				
25	68013   356	SPRING	1				
26	31058   168	NUT	1				
27	68036   125	WASHER	1				
28	318L   0612	(+)HEX.BOLT(SW)	1				



### PARTS LIST

46014-257

REF. No.	PARTS No.	PARTS NAME	HANDLE-ROLLER		2/2	RECOMM.(%) Lot.100	REMARKS
			Q'TY INCLUDING	PRICE( )			
29							
30							
31							
32							
33							
34							
35							
36							
37							
38	71900   797	COVER ASSY	1				
39	470L   0514	(+)TAPPING SCREW	2				
40	71900   847	BOLT SET	1				
41	569L   0800	FLANGE NYLON NUT	4				
42	31057   256	BOLT	4				
43	583L   0800	FLANGE CAP NUT	4				
44							
45							
46							
47	68028   103	WIRE BAND	2				
48							
49	91003   165	CONTROL CABLE	1				
50	91001   329	THROTTLE WIRE(GXV120/GXV160)	1				
51	91003   169	CONTROL CABLE(BBC)	1				
52	11062   178	FRAME C.P.	1				
53	36098   132	GRASS BAG C.P.(KAAZ)	1				
54							
55							
56							