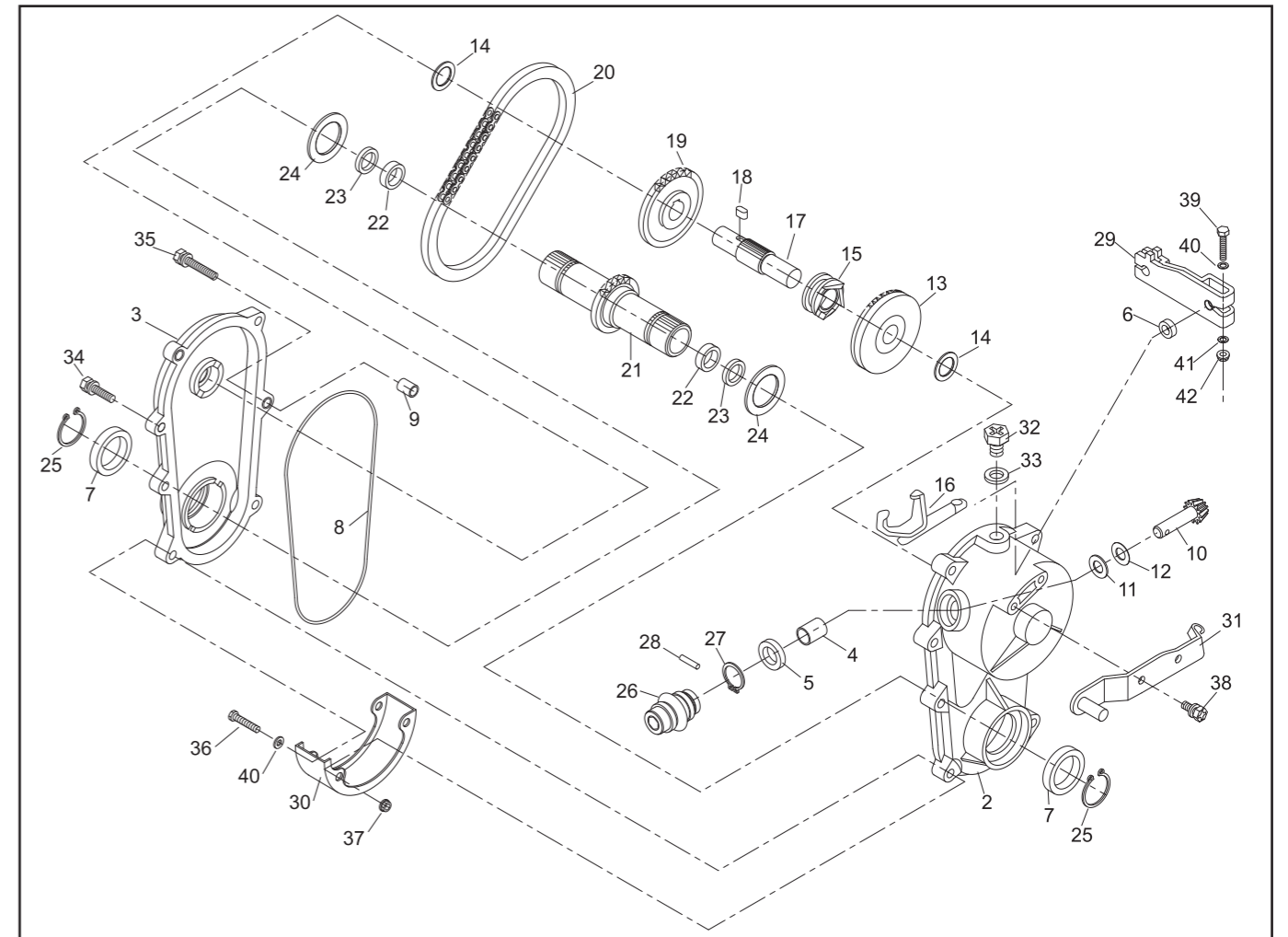


PARTS LIST
GEAR CASE ASSY (71008-369)

46014-265

REF. No.	PARTS No.	PARTS NAME	GEAR CASE		PRICE()	1/2		REMARKS
			Q'TY INCLUDING			RECOMM.(%) Lot.100	Feb.07,2005	
1	71008 369	GEAR CASE ASSY	1			-		
2	51001 279	GEAR CASE(L)	1			3		
3	51001 280	GEAR CASE(R)	1			3		
4	76007 167	BUSH	1			3		
5	61002 161	OIL SEAL	1			5		SD 10 20 5
6	61002 162	OIL SEAL	1			5		SD 8 14 4
7	61002 188	OIL SEAL	2			5		SD 28 38 6
8	214B 1350	O-RING	1			5		
9	11083 201	COLLAR	2			3		
10	78003 130	PINION	1			5		
11	61003 109	THRUST PLATE	1			3		
12	68007 132	SIM	0-2			5		
13	78001 162	BEVEL GEAR	1			3		
14	61024 118	SPACER	2			3		φ 16.2 × φ 24 × t1
15	11129 107	CLUTCH	1			3		
16	11097 106	SHIFTER FORK	1			5		
17	64014 242	SHAFT	1			3		
18	91020 147	KEY	1			3		
19	36112 115	SPROCKET	1			3		
20	91074 107	CHAIN	1			3		
21	64014 243	SHAFT	1			3		
22	927B 1512	NEEDLE BEARING	2			3		FJ1512
23	61002 189	OIL SEAL	2			5		SO 15 21 3
24	61024 171	SPACER	2			3		φ 28.2 × φ 36 × t1
25	812V 2800	C-SNAP RING FOR SHAFT	2			3		φ 28



PARTS LIST
GEAR CASE ASSY (71008-369)

46014-265

REF. No.	PARTS No.	PARTS NAME	GEAR CASE		PRICE()	2/2		REMARKS
			Q'TY INCLUDING			RECOMM.(%) Lot.100	Feb.07,2005	
26	91097 101	UNIVERSAL JOINT	1			3		
27	812V 2000	C-SNAP RING FOR SHAFT	1			3		φ 20
28	717B 0418	PARALLEL PIN	1			3		φ 4 × 18
29	11104 169	ARM	1			3		
30	36065 311	COVER	1			3		
31	11006 148	STAY C.P.	1			5		
32	31057 126	HEXAGON BOLT	1			3		
33	68001 110	FIBER WASHER	1			3		
34	315L 0625	(+)HEXAGON BOLT(SW,PW)	3			3		M6 × 25
35	315L 0630	(+)HEXAGON BOLT(SW,PW)	2			3		M6 × 30
36	322L 0635	(+)HEXAGON BOLT	2			3		M6 × 35
37	580L 0600	FLANGE LOCK NUT	2			3		M6
38	315L 0616	(+)HEXAGON BOLT(SW,PW)	2			3		M6 × 16
39	311M 0630	(+)HEXAGON BOLT	1			3		M6 × 30 8T
40	611L 0600	PLAIN WASHER	3			3		M6
41	613L 0600	PLAIN WASHER	1			3		M6
42	571L 0600	FLANGE NUT	1			3		M6