

HANDLE-ROLLER

Date : 27. Mar. 2015

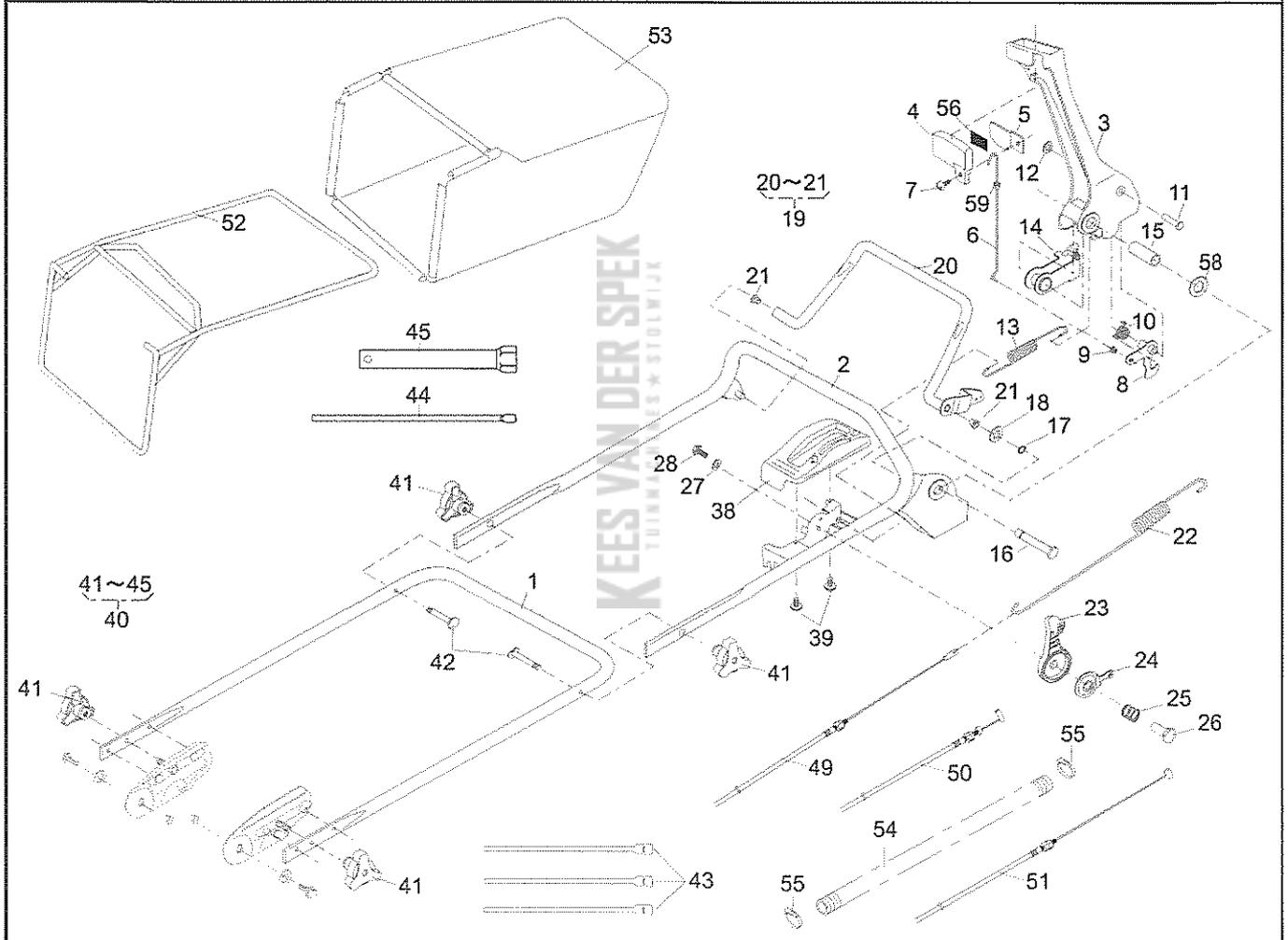
Revision : 00

Page : 1/1

Brand : KAAZ

Model : LM4861SXR

Product Code : 609311



HANDLE-ROLLER

Brand: KAAZ

P.cd: 609311

Date: 27-Mar-2015

Revision: 00

(A): LM4861SXR

(B):

(C):

Ref.No	Parts.No	Parts.Name	Q'ty			Remarks	Recomm(%) Lot.100
			(A)	(B)	(C)		
1	51027-271-103	HANDLE	1				3
2	51027-267-103	HANDLE	1				3
3	11095-172	LEVER	1				3
4	36110-102	BUTTON	1				5
5	11049-109	SLIDE PLATE	1				5
6	64014-336	SHAFT	1				5
7	376L0612	(+)TRUSS SCREW	1				5
8	71203-135	ARM C.P.	1				3
9	76007-183	BUSH	1				3
10	68013-371	SPRING	1				3
11	31056-127	GIB-HEADED PIN	1				3
12	576V0600	PUSH NUT	1				3
13	68013-392	SPRING	1				3
14	11109-111	LINK	1				3
15	61023-190	SLEEVE	1				3
16	64014-337	SHAFT	1				3
17	812V0800	C-SNAP RING	1				3
18	613L0800	PLAIN WASHER	1				3
19	71161-114-09	LEVER ASS'Y	1				5
21	76007-131	BUSH	2				5
22	68013-382	SPRING	1				3
23	91010-200	THROTTLE LEVER	1				3
24	61003-113	THRUST PLATE	1				3
25	68013-356	SPRING	1				3
26	31058-168	HEXAGON NUT	1				3
27	68036-125	WASHER (6.5x18x1.6)	1				3
28	318L0612	(+)HEX. BOLT(W/SW)	1				3
38	71906-902	COVER ASS'Y	1				3
39	470L0514	(+)TAPPING SCREW	2				3
40	71906-140	BOLT SET	1				3
41	36061-118	KNOB	4				3
42	31057-134	HEXAGON BOLT	2				3
43	68028-118	WIRE BAND (GT280)	3				5
44	66008-103	PLUG BOX BAR (8x200)	1				1
45	66006-125	BOX SPANNER	1				1
49	91003-165	CONTROL CABLE	1				5
50	91001-395	THROTTLE WIRE	1				5
51	91003-177	CONTROL CABLE	1				5
52	11062-174	FRAME C.P.	1				5
53	36098-133	GRASS BAG C.P.	1				10
54	41003-201	TUBE (15.6x800L)	1				5
55	68028-119	WIRE BAND (SHT18R-W)	2				5
56	36080-156	RUBBER SHEET	1				5
58	68007-144	SHIM(20x13.2)	1				3
59	76007-183	BUSH	1				3