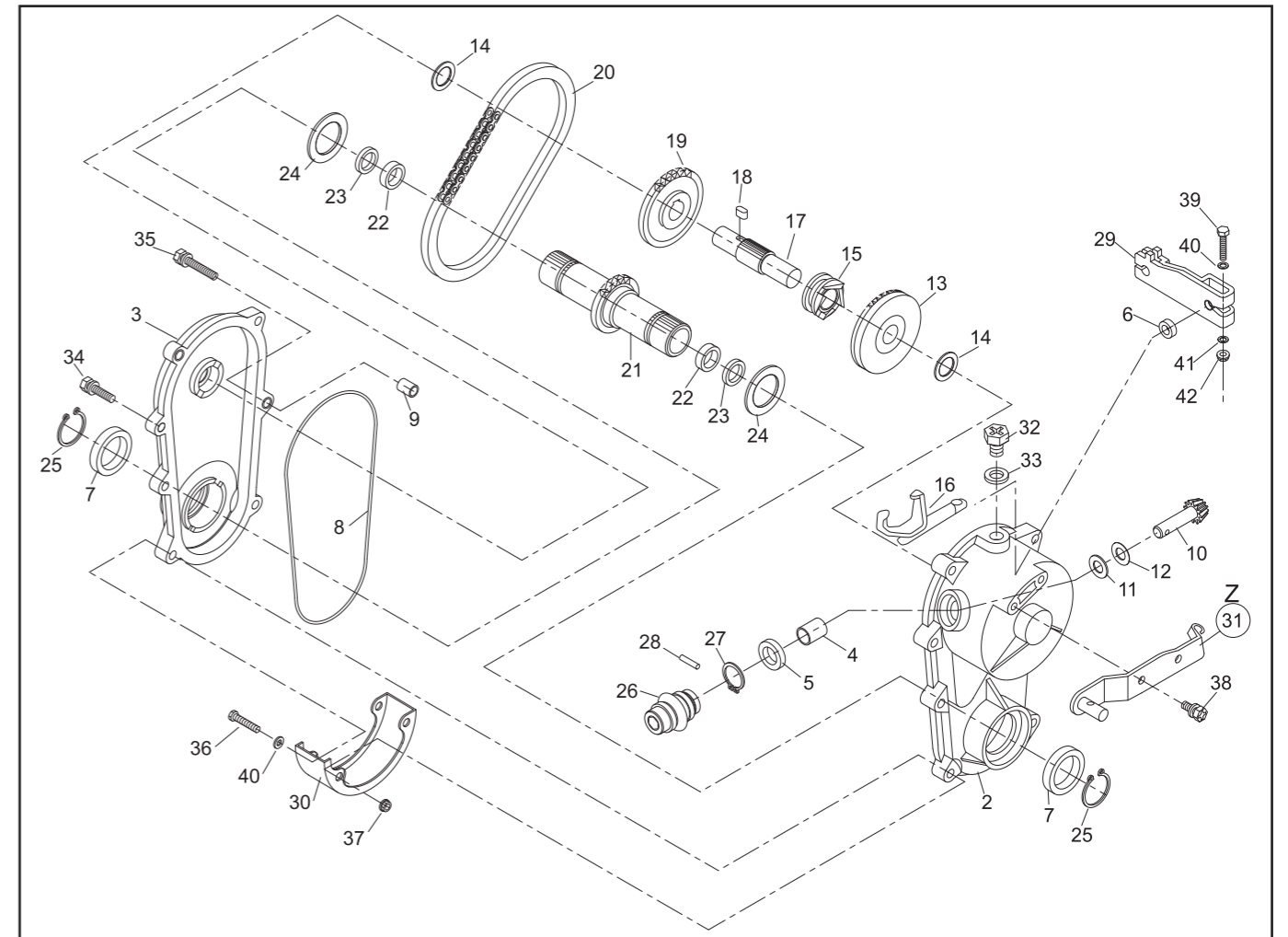


**PARTS LIST**  
GEAR CASE ASSY (71008-369)

P/L No. 46014-265-02

REF. No.	PARTS No.	PARTS NAME	GEAR CASE		1/2	RECOMM.(%) Lot.100	REMARKS
			Q'TY INCLUDING	PRICE( )			
1	71008 369	GEAR CASE ASSY	1		-		
2	51001 279	GEAR CASE(L)	1		3		
3	51001 280	GEAR CASE(R)	1		3		
4	76007 167	BUSH	1		3		
5	61002 161	OIL SEAL	1		5	SD 10 20 5	
6	61002 162	OIL SEAL	1		5	SD 8 14 4	
7	61002 188	OIL SEAL	2		5	SD 28 38 6	
8	214B 1350	O-RING	1		5		
9	11083 201	COLLAR	2		3		
10	78003 130	PINION	1		5		
11	61003 109	THRUST PLATE	1		3		
12	68007 132	SIM	0-2		5		
13	78001 162	BEVEL GEAR	1		3		
14	61024 118	SPACER	2		3	φ 16.2 × φ 24 × t1	
15	11129 107	CLUTCH	1		3		
16	11097 106	SHIFTER FORK	1		5		
17	64014 242	SHAFT	1		3		
18	91020 147	KEY	1		3		
19	36112 115	SPROCKET	1		3		
20	91074 107	CHAIN	1		3		
21	64014 243	SHAFT	1		3		
22	927B 1512	NEEDLE BEARING	2		3	FJ1512	
23	61002 189	OIL SEAL	2		5	SO 15 21 3	
24	61024 171	SPACER	2		3	φ 28.2 × φ 36 × t1	
25	812V 2800	C-SNAP RING	2		3	φ 28	



**PARTS LIST**  
GEAR CASE ASSY (71008-369)

P/L No. 46014-265-02

REF. No.	PARTS No.	PARTS NAME	GEAR CASE		2/2	RECOMM.(%) Lot.100	REMARKS
			Q'TY INCLUDING	PRICE( )			
26	91097 101	UNIVERSAL JOINT	1		3		
27	812V 2000	C-SNAP RING	1		3	φ 20	
28	717B 0418	PARALLEL PIN	1		3	φ 4 × 18	
29	11104 169	ARM	1		3		
30	36065 311	COVER	1		3		
Z 31	11006 148	STAY C.P.	1		5		
32	31057 262	HEXAGON BOLT	1		3		
33	68001 110	FIBER WASHER	1		3		
34	315L 0625	(+)HEXAGON BOLT(SW,PW)	3		3	M6 × 25	
35	315L 0630	(+)HEXAGON BOLT(SW,PW)	2		3	M6 × 30	
36	322L 0635	(+)HEXAGON BOLT	2		3	M6 × 35	
37	580L 0600	FLANGE LOCK NUT	2		3	M6	
38	315L 0616	(+)HEXAGON BOLT(SW,PW)	2		3	M6 × 16	
39	311M 0630	HEXAGON BOLT	1		3	M6 × 30 8T	
40	611L 0600	PLAIN WASHER	3		3	M6	
41	613L 0600	PLAIN WASHER	1		3	M6	
42	571L 0600	FLANGE NUT	1		3	M6	